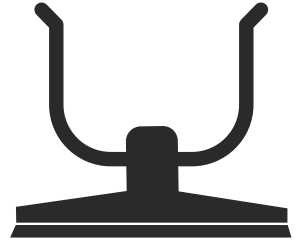




 **Husqvarna**<sup>®</sup>



**BV 30i**

EN Operator's manual  
ES-MX Manual del usuario  
FR-CA Manuel d'utilisation

2-19  
20-38  
39-58

---

## Contents

---

Introduction.....	2	Maintenance.....	13
Safety.....	4	Troubleshooting.....	14
To assemble the product.....	9	Transportation, storage and disposal.....	15
Assembly.....	10	Technical data.....	17
Operation.....	10	Accessories.....	18

---

## Introduction

---

### Product description

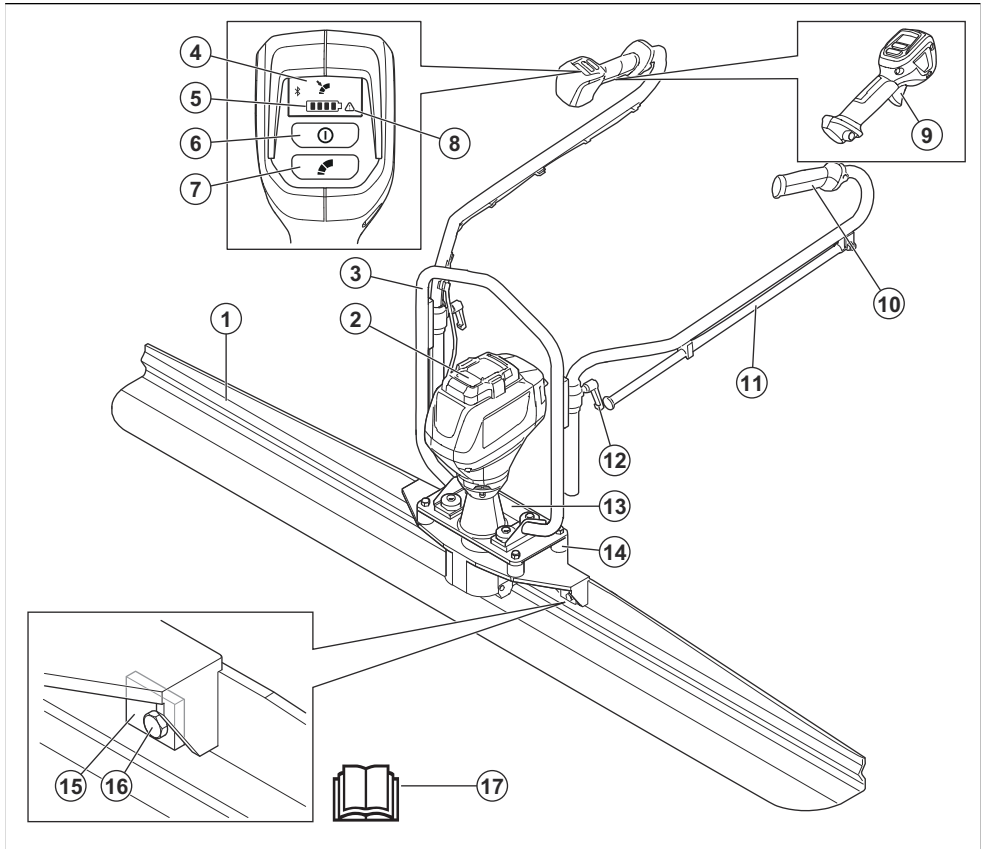
The product BV 30i is a walk-behind concrete screed with vibration. The power is supplied by a battery.

### Intended use

The product is for professional operation only. The product is used for consolidation and levelling of wet concrete. The product floats on top of the wet concrete.

For concrete layers maximum 100 mm thick, no other vibration method is necessary before you use the product.

## Product overview



1. Beam
2. Battery
3. Frame
4. Display
5. Battery indicator
6. ON/OFF button
7. Cruise control button
8. Warning indicator
9. Power trigger
10. Handle
11. Support
12. Lock levers for the handle
13. Rating plate
14. Vibration damping unit
15. Square washer
16. M12 screw
17. Operator's manual

## Symbols on the product



**WARNING:** This product can be dangerous and cause serious injury or death to the operator or others. Be careful and use the product correctly.



Read the manual carefully and make sure that you understand the instructions before you use the product.



Use hearing protection.



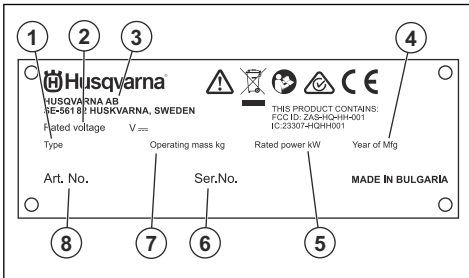
Use protective gloves.



Lifting point on the product.

**Note:** Other symbols/decals on the product refer to special certification requirements for some markets.

## Rating plate



1. Product type
2. Rated voltage

3. Manufacturer
4. Month and year of production
5. Rated power
6. Serial number
7. Operating mass weight
8. Product number

## California Proposition 65



## WARNING

This product contains or emits a chemical known to the State of California to cause cancer or birth defects or other reproductive harm.

## Product damage

We are not responsible for damages to our product if:

- the product is incorrectly repaired.
- the product is repaired with parts that are not from the manufacturer or not approved by the manufacturer.
- the product has an accessory that is not from the manufacturer or not approved by the manufacturer.
- the product is not repaired at an approved service center or by an approved authority.

## Safety

### Safety definitions

Warnings, cautions and notes are used to point out specially important parts of the manual.



**WARNING:** Used if there is a risk of injury or death for the operator or bystanders if the instructions in the manual are not obeyed.



**CAUTION:** Used if there is a risk of damage to the product, other materials or the adjacent area if the instructions in the manual are not obeyed.

**Note:** Used to give more information that is necessary in a given situation.

### General power tool safety warnings



**WARNING:** Read all safety warnings, instructions, illustrations and specifications provided with this power tool. Failure to

follow all instructions listed below may result in electric shock, fire and/or serious injury.

- **Save all warnings and instructions for future reference.** The term "power tool" in the warnings refers to your mains-operated (corded) power tool or battery-operated (cordless) power tool.

### Work area safety

- **Keep work area clean and well lit.** Cluttered or dark areas invite accidents.
- **Do not operate power tools in explosive atmospheres, such as in the presence of flammable liquids, gases or dust.** Power tools create sparks which may ignite the dust or fumes.
- **Keep children and bystanders away while operating a power tool.** Distractions can cause you to lose control.

### Electrical safety

- **Power tool plugs must match the outlet. Never modify the plug in any way. Do not use any adapter plugs with earthed (grounded) power tools.** Unmodified plugs and matching outlets will reduce risk of electric shock.

- **Avoid body contact with earthed or grounded surfaces, such as pipes, radiators, ranges and refrigerators.** There is an increased risk of electric shock if your body is earthed or grounded.
- **Do not expose power tools to rain or wet conditions.** Water entering a power tool will increase the risk of electric shock.
- **Do not abuse the cord. Never use the cord for carrying, pulling or unplugging the power tool. Keep cord away from heat, oil, sharp edges or moving parts.** Damaged or entangled cords increase the risk of electric shock.
- **When operating a power tool outdoors, use an extension cord suitable for outdoor use.** Use of a cord suitable for outdoor use reduces the risk of electric shock.
- **If operating a power tool in a damp location is unavoidable, use a residual circuit interrupter (RCD) protected supply.** Use of a RCD reduces the risk of electric shock

## Personal safety

- **Stay alert, watch what you are doing and use common sense when operating a power tool. Do not use a power tool while you are tired or under the influence of drugs, alcohol or medication.** A moment of inattention while operating power tools may result in serious personal injury.
- **Use personal protective equipment. Always wear eye protection.** Protective equipment such as dust mask, non-skid safety shoes, hard hat or hearing protection used for appropriate conditions will reduce personal injuries.
- **Prevent unintentional starting. Ensure the switch is in the off-position before connecting to power source, picking up or carrying the tool.** Carrying power tools with your finger on the switch or energising power tools that have the switch on invites accidents.
- **Remove any adjusting key or wrench before turning the power tool on.** A wrench or a key left attached to a rotating part of the power tool may result in personal injury.
- **Do not overreach. Keep proper footing and balance at all times.** This enables better control of the power tool in unexpected situations.
- **Dress properly. Do not wear loose clothing or jewellery. Keep your hair and clothing away from moving parts.** Loose clothes, jewellery or long hair can be caught in moving parts.
- **If devices are provided for the connection of dust extraction and collection facilities, ensure these are connected and properly used.** Use of dust collection can reduce dust-related hazards.
- **Do not let familiarity gained from frequent use of tools allow you to become complacent and ignore tool safety principles.** A careless action can cause severe injury within a fraction of a second.

## Power tool use and care

- **Do not force the power tool. Use the correct power tool for your application.** The correct power tool will do the job better and safer at the rate for which it was designed.
- **Do not use the power tool if the switch does not turn it on and off.** Any power tool that cannot be controlled with the switch is dangerous and must be repaired.
- **Disconnect the plug from the power source and/or remove the battery pack, if detachable, from the power tool before making any adjustments, changing accessories, or storing power tools.** Such preventive safety measures reduce the risk of starting the power tool accidentally.
- **Store idle power tools out of the reach of children and do not allow persons unfamiliar with the power tool or these instructions to operate the power tool.** Power tools are dangerous in the hands of untrained users.
- **Maintain power tools and accessories. Check for misalignment or binding of moving parts, breakage of parts and any other condition that may affect the power tool's operation. If damaged, have the power tool repaired before use.** Many accidents are caused by poorly maintained power tools.
- **Keep cutting tools sharp and clean.** Properly maintained cutting tools with sharp cutting edges are less likely to bind and are easier to control.
- **Use the power tool, accessories and tool bits etc. in accordance with these instructions, taking into account the working conditions and the work to be performed.** Use of the power tool for operations different from those intended could result in a hazardous situation.
- **Keep handles and grasping surfaces dry, clean and free from oil and grease.** Slippery handles and grasping surfaces do not allow for safe handling and control of the tool in unexpected situations.

## Battery tool use and care

- **Recharge only with the charger specified by the manufacturer.** A charger that is suitable for one type of battery pack may create a risk of fire when used with another battery pack.
- **Use power tools only with specifically designated battery packs.** Use of any other battery packs may create a risk of injury and fire.
- **When battery pack is not in use, keep it away from other metal objects, like paper clips, coins, keys, nails, screws or other small metal objects, that can make a connection from one terminal to another.** Shorting the battery terminals together may cause burns or a fire.
- **Under abusive conditions, liquid may be ejected from the battery; avoid contact. If contact accidentally occurs, flush with water. If liquid contacts eyes, additionally seek medical help.** Liquid ejected from the battery may cause irritations or burns.

- **Do not use a battery pack or tool that is damaged or modified.** Damaged or modified batteries may exhibit unpredictable behaviour resulting in fire, explosion or risk of injury.
- **Do not expose a battery pack or tool to fire or excessive temperature.** Exposure to fire or temperature above 130 °C / 266 °F may cause explosion.
- **Follow all charging instructions and do not charge the battery pack or tool outside the temperature range specified in the instructions.** Charging improperly or at temperatures outside the specified range may damage the battery and increase the risk of fire.

- Make sure that the battery voltage agrees with the voltage that is given on the rating plate of the product.
- Make sure that clothes, long hair and jewelry do not get caught in moving parts.
- Do not sit on the product.
- Do not hit the product.
- Before you operate the product, make sure that the work area is safe.

## Vibration safety



**WARNING:** Read the warning instructions that follow before you use the product.

## Service

- **Have your power tool serviced by a qualified repair person using only identical replacement parts.** This will ensure that the safety of the power tool is maintained.
- **Never service damaged battery packs.** Service of battery packs should only be performed by the manufacturer or authorized service providers.

- During operation of the product, vibrations go from the product to the operator. Regular and frequent operation of the product can cause or increase the degree of injuries to the operator. Injuries can occur in fingers, hands, wrists, arms, shoulders, and/or nerves and blood supply or other body parts. The injuries can be debilitating and/or permanent, and can increase gradually during weeks, months or years. Possible injuries include damage to the blood circulation system, the nervous system, joints, and other body structures.
- Symptoms can occur during operation of the product or at other times. If you have symptoms and continue to operate the product, the symptoms can increase or become permanent. If these or other symptoms occur, get medical aid:
  - Numbness, loss of feeling, tingling, pricking, pain, burning, throbbing, stiffness, clumsiness, loss of strength, changes in skin color or condition.
- Symptoms can increase in cold temperatures. Use warm clothing and keep your hands warm and dry when you operate the product in cold environments.
- Do maintenance on and operate the product as given in the operator's manual, to keep a correct vibration level.
- The product has a vibration damping system that decreases the vibrations from the handles to the operator. Let the product do the work. Do not push the product with force. Hold the product at the handles lightly, but make sure that you control the product and operate it safely. Do not push the handles into the end stops more than necessary.
- Keep your hands on the handle or handles only. Keep all other body parts away from the product.
- Stop the product immediately if strong vibrations suddenly occurs. Do not continue the operation before the cause of the increased vibrations is removed.

## Safety instructions for operation



**WARNING:** Read the warning instructions that follow before you use the product.

- Make sure that you know how to stop the product quickly in an emergency.
- Do not let children or persons without knowledge of these instructions use the product.
- Make sure that you know the controls and the correct operation of the product.
- The operator must have the physical strength that is necessary to operate the product safely.
- Use personal protective equipment. Refer to *Personal protective equipment on page 7.*
- Make sure that only approved persons are in the work area.
- Keep the work area clean and bright.
- Make sure that you are in a safe and stable position during operation.
- Make sure that there is no risk that you or the product can fall from a height.
- Make sure that there is no grease or oil on the handle.
- Do not use the product in areas where fire or explosions can occur.
- The product can cause objects to eject at high speed. Make sure that all persons in the work area use approved personal protective equipment. Remove loose objects from the work area.
- Before you go away from the product, stop the product and disconnect the battery.

## Dust safety



**WARNING:** Read the warning instructions that follow before you use the product.

- Operation of the product can cause dust in the air. Dust can cause serious injury and permanent health problems. Silica dust is regulated as harmful by several authorities. These are examples of such health problems:
  - The fatal lung diseases chronic bronchitis, silicosis and pulmonary fibrosis
  - Cancer
  - Birth defects
  - Skin inflammation
- Use correct equipment to decrease the quantity of dust and fumes in the air and to decrease dust on work equipment, surfaces, clothing and body parts. Examples of controls are dust collection systems and water sprays to bind dust. Decrease dust at the source where possible. Make sure that the equipment is correctly installed and used and that regular maintenance is done.
- Use approved respiratory protection. Make sure that the respiratory protection is applicable for the dangerous materials in the work area.
- Make sure that the airflow is sufficient in the work area.
- If it is possible, point the exhaust of the product where it cannot cause dust to go into the air.

## Noise safety



**WARNING:** Read the warning instructions that follow before you use the product.

- High noise levels and long-term exposure to noise can cause noise-induced hearing loss.
- To keep the noise level to a minimum, do maintenance on and operate the product as given in the operator's manual.
- Use approved hearing protection while you operate the product.
- Listen for warning signals and voices when you use hearing protection. Remove the hearing protection when the product is stopped, unless hearing protection is necessary for the noise level in the work area.

## Personal protective equipment



**WARNING:** Read the warning instructions that follow before you use the product.

- Always use approved personal protective equipment when you operate the product. Personal protective equipment cannot fully prevent injury but it decreases the degree of injury if an accident does occur. Let your dealer help you select the correct personal protective equipment.
- Regularly do a check of the condition of the personal protective equipment.
- Use an approved protective helmet.
- Use approved hearing protection.
- Use approved respiratory protection.
- Use approved eye protection with side protection.
- Use protective gloves.
- Use boots with steel toe-cap and non-slip sole.
- Use approved work clothing or equivalent close-fitting clothing that has long sleeves and long legs.

## Fire extinguisher

- Keep a fire extinguisher near during operation.
- Use a powder fire extinguisher of "ABE" class or a carbon dioxide fire extinguisher of "BE" type.

## Safety devices on the product

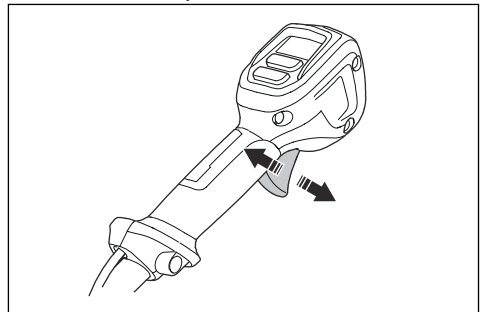


**WARNING:** Read the warning instructions that follow before you use the product.

- Do not use a product with safety devices that are damaged or do not operate correctly.
- Do a check of the safety devices regularly. If the safety devices are damaged or do not operate correctly, speak to your Husqvarna service agent.
- Do not make modifications to safety devices.

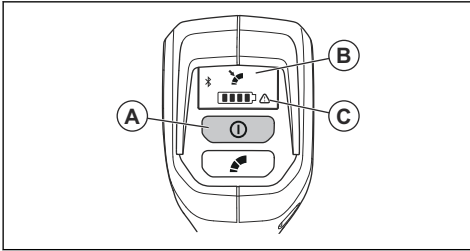
## To do a check of the power trigger

- Push and release the power trigger to make sure that it moves freely.



## To do a check of the user interface

1. Push and hold the ON/OFF button (A).



- a) The product is on when the LED (B) is on.
  - b) The product is off when the LED (B) is off.
2. Refer to *Troubleshooting on page 14* if the warning indicator (C) is on or flashes.

## Vibration damping units

The vibration damping units decrease vibration in the product. The vibration damping units decrease harmful vibrations to prevent injury to the operator and damage to the product.

## To do a check of the vibration damping units

1. Make sure that there are no cracks or deformation on the vibration damping units.
2. Make sure that the vibration damping units are correctly attached to the motor unit and handle unit.

## Battery safety



**WARNING:** Read the warning instructions that follow before you use the product.

- Only use the Husqvarna BLi batteries that we recommend for your product. The batteries are software encrypted.
- Use Husqvarna BLi batteries that are rechargeable as a power supply for the related Husqvarna products only. To prevent injury, do not use the battery as a power supply for other devices.
- Risk of electrical shock. Do not connect the battery terminals to keys, screws or other metal. This can cause a short circuit of the battery.
- Do not put objects into the air slots of the battery.
- Keep the battery away from sunlight, heat or open flame. The battery can cause an explosion and cause burns and/or chemical burns.
- Keep the battery away from rain and wet conditions.
- Keep the battery away from microwaves and high pressure.
- Do not try to disassemble or break the battery.
- Do not let battery acid touch your skin. Battery acid causes injuries to the skin, corrosion and burns. If you get battery acid in your eyes, do not rub but

flush with water for minimum 15 minutes. If battery acid has touched your skin, you must clean the skin with a large quantity of water and soap. Get medical aid.

- Use the battery in temperatures between -10 °C/14 °F and 40 °C/104 °F.
- Do not clean the battery or the battery charger with water. Refer to *To clean the product on page 14*.
- Do not use a defective or damaged battery.
- Keep batteries in storage away from metal objects such as nails, screws or jewelry.
- Keep the battery away from children.

## Battery charger safety



**WARNING:** Read the warning instructions that follow before you use the product.

- Risk of electrical shock or short circuit if the safety instructions are not obeyed.
- Do not use other battery chargers than the one supplied for your product. Only use Husqvarna QC chargers when you charge Husqvarna replacement batteries BLi.
- Do not try to disassemble the battery charger.
- Do not use a defective or damaged battery charger.
- Use the battery charger in temperatures between 5 °C/41 °F and 40 °C/104 °F.
- Do not lift the battery charger by the power cord. To disconnect the battery charger from a mains socket, pull out the plug. Do not pull the power cord.
- Keep all cables and extension cables away from water, oil and sharp edges. Make sure that the cable is not caught between doors, fences or equivalent.
- Do not use the battery charger near flammable materials or materials that can cause corrosion. Make sure that the battery charger is not covered. Pull out the plug to the battery charger if there is smoke or fire.

## Safety instructions for maintenance



**WARNING:** Read the warning instructions that follow before you do maintenance on the product.

- Remove the battery before you do maintenance, other checks or assemble the product.
- The operator must only do the maintenance and servicing shown in this operator's manual. Turn to your servicing dealer for maintenance and servicing of a larger extension.
- Do not clean the battery or the battery charger with water. Strong detergent can cause damage to the plastic.



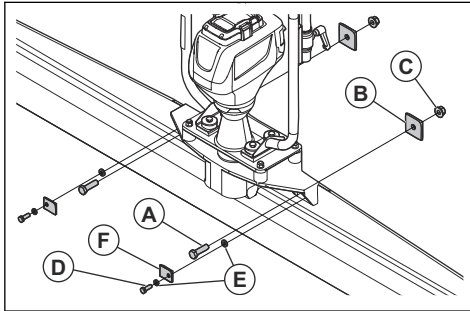
- If you do not do maintenance, it decreases the life cycle of the product and increases the risk of accidents.
- Special training is necessary for all servicing and repair work, especially for the safety devices on the product. If not all checks in this operator's manual

are approved after you have done maintenance, turn to your servicing dealer. We guarantee that there are professional repairs and servicing available for your product.

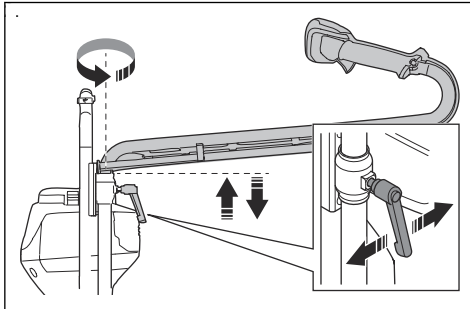
- Only use original spare parts.

## To assemble the product

1. Install a beam of the correct width for the operation.
  - a) Attach the M12 bolts (A) with the square washers (B) and the nuts (C). The M12 bolts, the nuts and the square washers are supplied with the product.

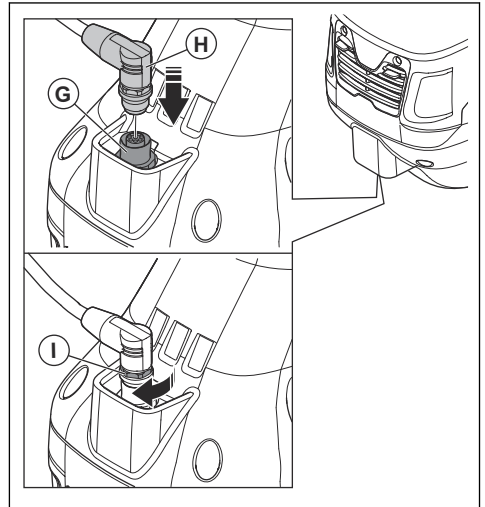


- b) Attach the bolts (D) and the washers (E and F) to the product. The bolts and the washers are supplied with the product.
- c) Torque the bolts to 80 Nm. Torque the bolts again after the first 30 minutes of operation.

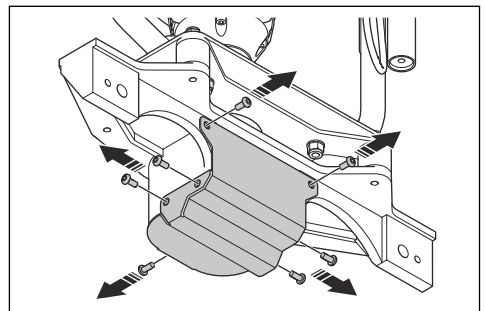


3. Tighten the lock levers when the correct operation position is set.
4. When the handle position is set, pull the lock levers out. This locks the lock levers to make sure that the handle position cannot change during operation.
5. Install the user interface cable.
  - a) Remove the protective cover for the connector (G) on the product.

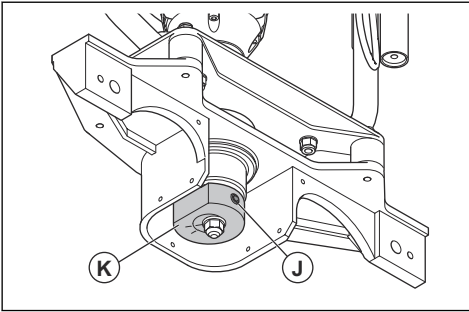
- b) Remove the protective cover of the user interface cable (H) and connect the user interface cable. Make sure that the connector for the user interface cable is in the correct position.



- c) Tighten the locknut (I) fully.
6. Adjust the eccentric weight to the length of the beam and to the slump of the concrete.
    - a) Remove the 7 screws and the cover for the eccentric element.



b) Loosen the lock bolt (J).



c) Turn the eccentric element (K) to adjust the weight. The table below shows how much the eccentric element must be turned with different beams and different slump concrete. There are 4 marks on the eccentric element, 62%, 75%, 87% and 100%.

Beam length, m/ft	Slump concrete				
	S1 <sup>1</sup>	S2	S3	S4	S5 <sup>2</sup>
1.82/6.0	N/A	100%	75%	62%	62%
2.44/8.0	N/A	100%	87%	75%	62%
3.05/10.0	N/A	100%	87%	75%	62%
3.66/12.0	N/A	100%	100%	87%	75%
4.26/14.0	N/A	100%	100%	87%	75%

- d) Tighten the lock bolt.  
e) Install the cover for the eccentric element and the 4 screws.

## Assembly

## Operation

### Introduction



**WARNING:** Read and understand the safety chapter before you use the product.



**WARNING:** Only use Husqvarna original batteries in the product.

### To do before you operate the product

- Read the operator's manual carefully and make sure that you understand the instructions.
- Make sure that the battery is charged.
- Connect the battery to the product.
- Do the daily maintenance. Refer to *Maintenance schedule on page 13*.

1. Make sure that the battery is fully charged.

### Vibration frequency and operation speed

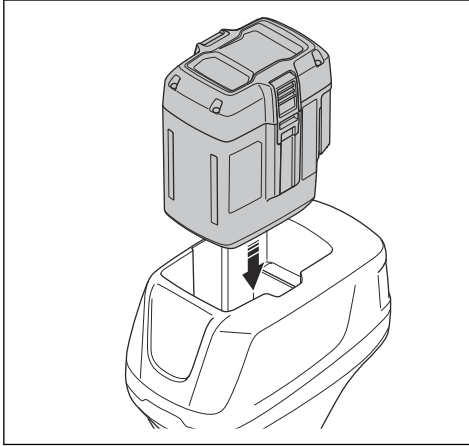
It is necessary to adjust the vibration frequency to the condition of the concrete. For concrete that contains a low quantity of water, a higher vibration frequency is necessary. For concrete that contains a high quantity of water, a lower vibration frequency is necessary. Differences in the speed of the movement and the vibration frequency gives different results.

Decrease the speed if the beam shakes too much or makes too much slurry on the surface. Increase the speed if the beam does not make sufficient slurry on surface.

<sup>1</sup> Lowest water contents in the slump concrete.

<sup>2</sup> Highest water contents in the slump concrete.

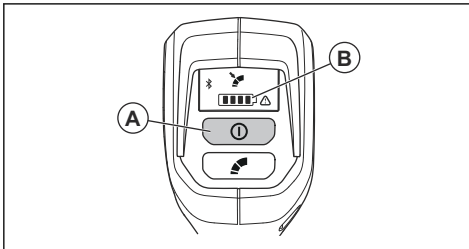
- Put the battery into the battery holder of the product. The battery must move into the holder easily. If not, it is not installed correctly.



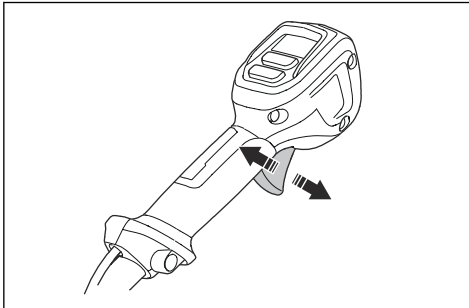
- Push the battery in fully into the battery holder. The battery locks into position when you hear a click.
- Make sure that the latches lock in position correctly.

## To start the product

- Connect the battery to the product.
- Push and hold the ON/OFF button (A) until the battery indicator (B) comes on.

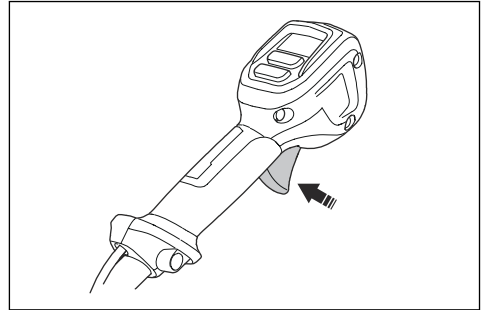


- Use the power trigger to control the speed.



## To operate the product

- Spray the beam with concrete form oil or concrete release agent. This makes it easier to clean the product after operation because the concrete does not attach to the beam.
- Put the beam at the start of the first section of the concrete surface.
- Start the product. Refer to *To start the product on page 11*.
- Hold the handles tightly.
- Push the power trigger to start the operation. Use the power trigger to adjust the vibration force.



**CAUTION:** If you use too much vibration force, slurry can collect on the surface. If you use too low vibration force, it is possible that all air bubbles are not removed from the concrete.

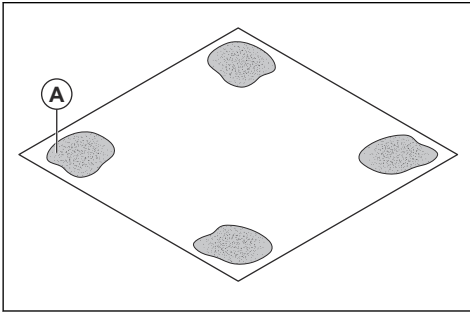


**WARNING:** Do not use the product if it does not operate correctly. Signs of failure hardware or software malfunction related to the motor control unit may result in electrical shock, fire and/or serious injury.

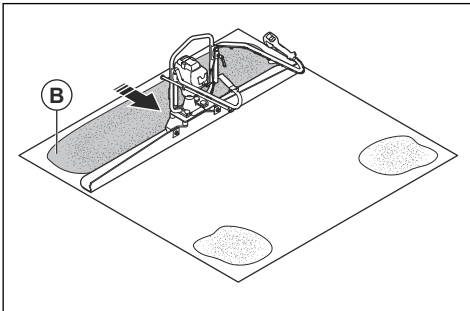
**Note:** The product stops automatically if you do not operate it for 5 minutes.

- Push the cruise control button to set the selected vibration frequency. Refer to *To operate the cruise control function on page 12*.
- Walk slowly rearward and at the same time lift the product until the rear edge of the beam is slightly lifted. The vibrations remove your shoe prints from the concrete surface.
- Put 30-35 cm/11.8-13.8 in. of the beam on the smooth concrete surface to make an overlap on the next section of the concrete surface.
- To make areas of concrete level, do the procedure that follows.

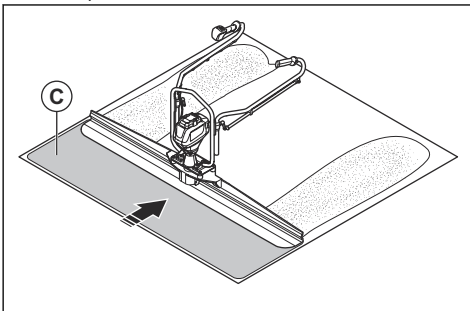
- a) In the 4 corners, make 30-45 cm/11.8-17.7 in. diameter of wet concrete areas (A) with a hand float. Use a laser to make sure that the wet concrete areas have the correct level. The distance between the outer edges of the wet concrete areas must not be more than the length of the beam.



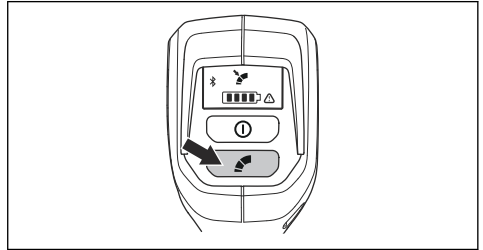
- b) Operate the product between the wet concrete areas to make 2 parallel strips (B). The strips must be 30-45 cm/11.8-17.7 in. wide.



- c) Put the end of the beam on each of the parallel strips and operate the product (C). Make sure that the beam follows the contour of the parallel strips.



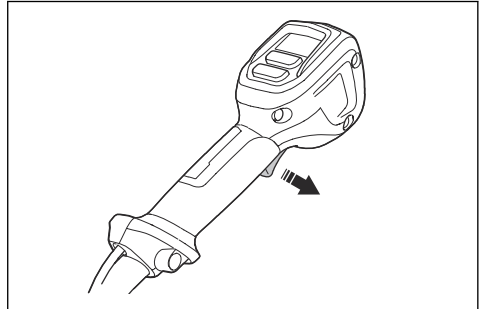
2. Push the cruise control button to set the selected vibration frequency. The LED comes on.



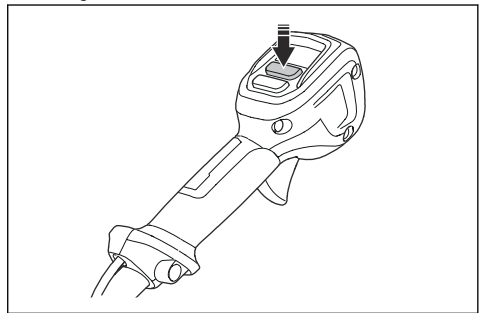
3. Release the power trigger to operate the product with the cruise control function.
4. To increase the vibration frequency, do the procedure that follows.
  - a) Push the cruise control button to stop the cruise control function.
  - b) Push the power trigger to the correct level. Then push the cruise control button, to set the new cruise control speed.

### To stop the product

1. Release the power trigger.



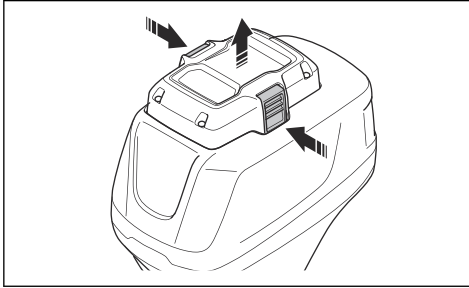
2. Push and hold the ON/OFF button until the display LED goes off.



### To operate the cruise control function

1. Push the power trigger to select the optimal vibration frequency for your operation.

3. Push the release buttons on the battery and pull the battery out.




---

## Maintenance

---

### Introduction



**WARNING:** Read and understand the safety chapter before you do maintenance on the product.

### Maintenance schedule

Maintenance	Daily	Weekly	Monthly
Clean the product.	X		
Make sure that the ON/OFF button operates correctly and is not damaged.	X		
Make sure that the power trigger operates correctly from a safety point of view. Refer to <i>To do a check of the power trigger on page 7</i>	X		
Make sure that there is no oil and grease on the handles, and that they are dry and clean.	X		
Make sure that the screws and nuts are tight.	X		
Make sure that the battery release buttons on the battery operates correctly and locks the battery in the product.	X		
Make sure that the battery charger operates correctly and is not damaged.	X		
Make sure that the battery is not damaged.	X		
Make sure that the battery is charged.	X		
Examine all cables, couplings and connections. Make sure that they are not damaged or dirty.		X	
Do a check of the connections between the battery and the product. Do a check of the connection between the battery and the battery charger.			X
Make sure that the vibration damping units are not damaged. Refer to <i>To do a check of the vibration damping units on page 8.</i>			X

## To clean the product

- Remove concrete from the surfaces of the product after each operation before the concrete becomes hard.
- Use water and a brush to clean the product.



**CAUTION:** Do not point the water directly at electrical components, the battery or the motor.

- Spray the beam with concrete form oil or concrete release agent. This makes it easier to clean the product after the next operation.
- Remove grease and oil from the handle.
- Clean the motor, battery and battery charger with a dry cloth. Keep the battery guide tracks clean.
- Make sure that the terminals on the battery and the battery charger are clean. Always do this before you put the battery in the battery charger or the product.

## Troubleshooting

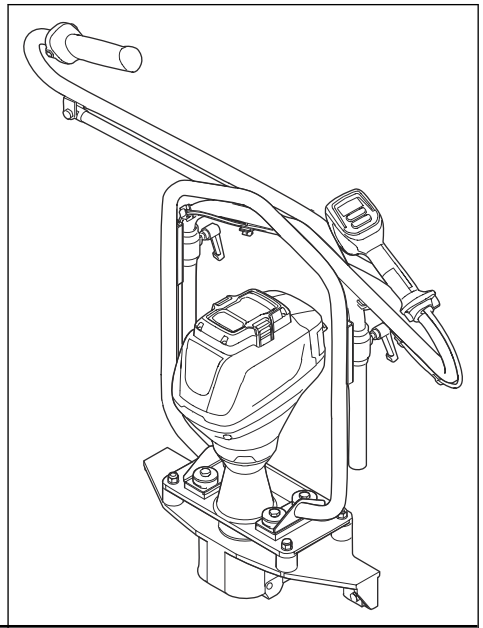
Symptom	Possible causes	Recommended step
The product does not start. No LEDs come on when you push the ON/OFF button.	Dirt on battery connectors.	Clean with compressed air or with a soft brush.
	The battery is defective.	Push the button on the battery. A minimum of 1 green LED must come on.
	Defective power connector between the battery and the product.	Make sure that the power connectors between the battery and the product are not damaged.
	Defective connection to user interface connector.	Make sure that the user interface connector is correctly assembled.
	The user interface is broken.	Speak to your Husqvarna service agent.
	The cables between the control unit and the user interface are damaged.	Speak to your Husqvarna service agent.
	Short circuit in the control unit.	Speak to your Husqvarna service agent.
Green LED flashes.	Low battery voltage	Charge the battery.
Red error LED flashes.	The temperature is too high.	Wait for the product to become cool.
	The temperature of the control unit or the battery is too low.	Make sure that the product and the battery are not colder than -10° C.
	The power trigger and the ON/OFF button are used at the same time.	Release the power trigger.
Red error LED is on.	Permanent error codes prevent start of the product.	Speak to your Husqvarna service agent.
	The control unit is broken.	Speak to your Husqvarna service agent.
	It is necessary to do servicing of the product.	Speak to your Husqvarna service agent.
No reaction from the motor when you push the power trigger.	The motor connectors are not correctly assembled.	Speak to your Husqvarna service agent.
	Short circuit in the control unit.	Speak to your Husqvarna service agent.
	The motor is broken.	Speak to your Husqvarna service agent.

Symptom	Possible causes	Recommended step
Sudden reaction from the motor when you push the power trigger, then the motor stops.	Short circuit in the control unit.	Speak to your Husqvarna service agent.
The product stops when you apply work load.	Bad connection between the battery and the product.	Make sure that the power connectors between the battery and the product are clean and not damaged.
The product starts but there is no vibration.	The vibration damping unit on the vibration shaft is damaged.	Speak to your Husqvarna service agent.
The vibrations in the product are not correct.	The eccentric element is incorrectly set.	Adjust the eccentric element. Refer to <i>To assemble the product on page 9</i> .
The noise level is too high.	The vibration bearings are damaged.	Speak to your Husqvarna service agent.
	The handle knobs are not sufficiently tightened.	Tighten the handle knobs.
The vibrations are not equal along the concrete surface.	The vibration frequency is not correct for this concrete surface.	Adjust the vibration speed to make the vibrations equal along the concrete surface. Refer to <i>Vibration frequency and operation speed on page 10</i> .
	Incorrect vibration procedure.	Operate the product correctly. Refer to <i>To operate the product on page 11</i> .
The vibration in the handle is too high.	The vibration damping units are worn.	Speak to your Husqvarna service agent.

## Transportation, storage and disposal

### Transportation and storage

- Keep the handles folded during transportation.



- Disconnect the user interface cable.
- Attach the product safely during transportation.
- Remove the battery for storage or transportation.
- The supplied Li-ion batteries obey the Dangerous Goods Legislation requirements.
- Obey the special requirement on package and labels for commercial transportation, including by third parties and forwarding agents.
- Speak to a person with special training in dangerous material before you send the product. Obey all applicable national regulations.
- Charge the battery 30% to 50% before you put it in storage for long periods.
- Clean the product and do a full servicing before you put the product in storage for a long time.
- Use tape on open connections when you put the battery in a package. Put the battery in the package tightly to prevent movement.
- Do not keep the battery in an area where static electricity can occur. Do not keep the battery in a metal box.
- Keep the battery where the temperature is between 5°C/41°F and 25°C/77°F and away from open sunlight.
- Keep the battery charger where the temperature is between 5 °C/41 °F and 45°C/113°F and away from open sunlight.
- Keep the battery away from the battery charger during storage.
- Keep the battery and the battery charger in a locked, dry and frost-free area.
- Keep the product in a dry and frost-free area.
- Keep the product in a locked area to prevent access for children or persons that are not approved.

## Disposal of the battery, battery charger and product

The symbol below means that the product is not domestic waste. Recycle it at a recycling station for electrical and electronic equipment. This helps to prevent damage to the environment and to persons.

Speak to local authorities, domestic waste service or your dealer for more information.




---

**Note:** The symbol shows on the product or package of the product.

---



---

## Technical data

---

### Technical data

Weight without battery, kg/lb	11.5/25
Motor brand / Type	Husqvarna / 36V
Motor power, kW/hp @rpm	0.8/1.1 @7500

Noise and vibration emissions	
Sound power level, measured dB (A) <sup>3</sup>	109
Sound pressure level at the operator's ear, L <sub>p</sub> , dB (A) <sup>4</sup>	108
Vibration level, ahv, m/s @7500 rpm, 100% eccentric force with 2,4 m screed	2.5
Weighted effective acceleration uncertainty (K) m/s <sup>25</sup>	2.0

### Noise and vibration declaration statement

These declared values were obtained by laboratory type testing in accordance with the stated directive or standards and are suitable for comparison with the declared values of other products tested in accordance with the same directive or standards. These declared values are not suitable for use in risk assessments and values measured in individual work places may be higher. The actual exposure values and risk of harm experienced by an individual user are unique and depend upon the way the user works, in what material the product is used, as well as upon the exposure time and the physical condition of the user, and the condition of the product.

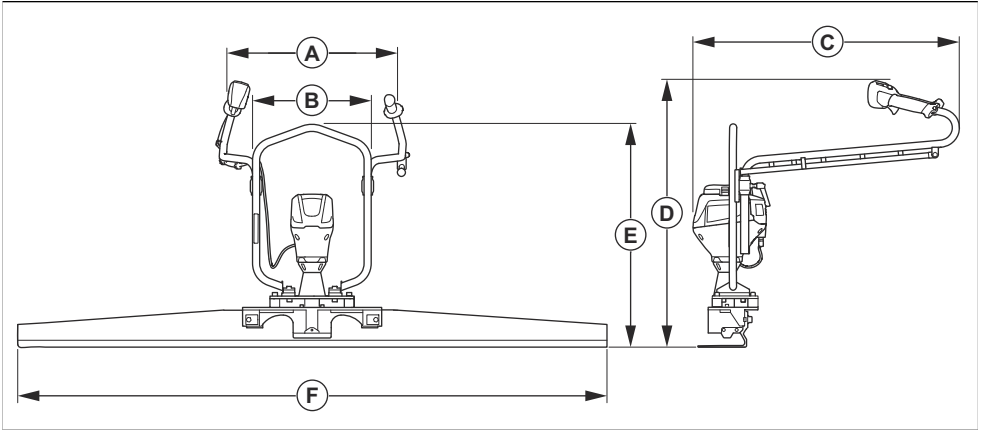
---

<sup>3</sup> Sound power level determined according to EN ISO 3744.

<sup>4</sup> Sound pressure level determined according to EN ISO 11203.

<sup>5</sup> Weighted effective acceleration measured at the handle according to EN ISO 5349.

## Product dimensions



<b>A</b>	Max. handle width, mm/in.	700/27.5
<b>B</b>	Width without handles, mm/in.	580/22.8
<b>C</b>	Length, mm/in.	845/33.3
<b>D</b>	Height including handles, mm/in.	800–1300/31.5–51.2
<b>E</b>	Height without handles, mm/in.	690/27.2
<b>F</b>	Beam width, 5 different dimensions, m/ft	1.8/6, 2.4/8, 3.0/10, 3.6/12, 4.2/14

## Accessories

### Beams

Length, m/ft	Weight, kg/lb
1.82/6.0	6.6/14.7
2.44/8.0	8.8/19.5
3.05/10.0	11.0/24.3
3.66/12.0	13.2/29.1
4.26/14.0	15.3/33.8

Refer to the spare part list (IPL) for part numbers for the beams.

## Approved batteries

BLi 200
BLi 300
40-B220X
40-B330X

## Approved battery chargers

QC330
QC500

---

## Contenido

---

Introducción.....	20	Mantenimiento.....	32
Seguridad.....	22	Solución de problemas.....	33
Para armar el producto.....	27	Transporte, almacenamiento y eliminación de residuos.....	35
Montaje.....	29	Datos técnicos.....	36
Funcionamiento.....	29	Accesorios.....	37

---

## Introducción

---

### Descripción del producto

El producto BV 30i es un nivelador de hormigón de piso con vibración. Una batería suministra la alimentación.

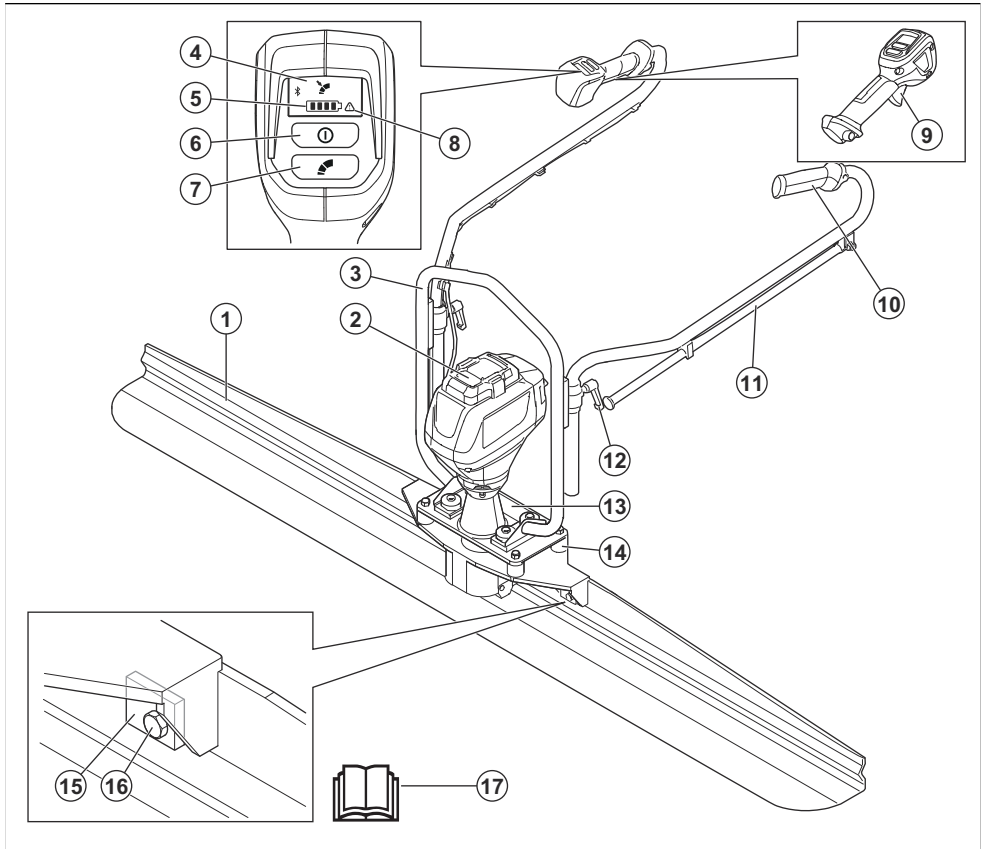
### Uso previsto

El producto es solo para el uso por parte de profesionales. El producto se utiliza para la

consolidación y nivelación del hormigón húmedo. El producto flota sobre el hormigón húmedo.

Para obtener capas de hormigón con un máximo de 100 mm de grosor, no es necesario ningún otro método de vibración antes de usar el producto.

## Descripción general del producto



1. Pluma
2. Batería
3. Bastidor
4. Pantalla
5. Indicador de batería
6. Botón ON/OFF
7. Botón de control de cruceo
8. Indicador de advertencia
9. Gatillo de alimentación
10. Manilla
11. Asistencia
12. Palancas de bloqueo para el mango
13. Placa de características
14. Amortiguador de vibraciones
15. Arandela cuadrada
16. Tornillo M12
17. Manual del usuario

## Símbolos en el producto



**ADVERTENCIA:** Este producto puede ser peligroso y provocar lesiones graves o fatales al usuario o a otras personas. Tenga cuidado y utilice el producto correctamente.



Lea atentamente el manual y asegúrese de que entiende las instrucciones antes de usar el producto.



Use protectores auriculares.



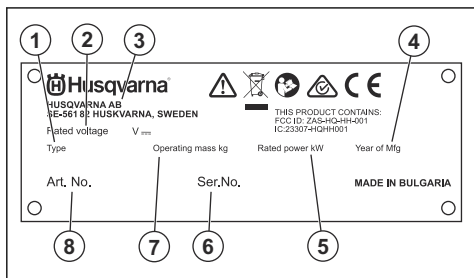
Use guantes protectores.



Punto de elevación del producto.

**Tenga en cuenta:** Otros símbolos o etiquetas en el producto hacen referencia a requisitos de certificación especiales para algunos mercados.

## Placa de características



1. Tipo de producto
2. Voltaje nominal

3. Fabricante
4. Mes y año de producción
5. Potencia nominal
6. Número de serie
7. Peso de la masa en orden de trabajo
8. Número de la máquina

## Propuesta 65 de California



## Daños en el producto

No somos responsables de los daños a nuestro producto en los siguientes casos:

- el producto se repara incorrectamente
- el producto se repara con piezas que no son del fabricante o que este no autoriza
- el producto tiene un accesorio que no es del fabricante o que este no autoriza
- el producto no se repara en un centro de servicio autorizado o por una autoridad aprobada.

## Seguridad

### Definiciones de seguridad

Las advertencias, precauciones y notas se utilizan para señalar las piezas particularmente importantes del manual.



**ADVERTENCIA:** Se utilizan para señalar el riesgo de lesiones graves o mortales para el operador o para aquellos que se encuentren cerca si no se siguen las instrucciones del manual.



**AVISO:** Se utilizan para señalar el riesgo de dañar la máquina, otros materiales o el área adyacente si no se siguen las instrucciones del manual.

**Tenga en cuenta:** Se utilizan para entregar más información necesaria en situaciones particulares.

### Advertencias de seguridad generales de la herramienta eléctrica



**ADVERTENCIA:** Lea todas las advertencias de seguridad, las instrucciones, las ilustraciones y las especificaciones que se suministran con esta herramienta eléctrica. En caso de no seguir todas las instrucciones que se entregan a continuación, se pueden producir sacudidas eléctricas, incendios o daños graves.

- **Guarde todas las advertencias e instrucciones para futuras referencias.** El término "herramienta eléctrica" que se indica en las advertencias hace referencia a la herramienta eléctrica (con cable) operada con corriente o a la herramienta eléctrica operada con baterías (inalámbrica).

### Seguridad en el área de trabajo

- **Mantenga el área de trabajo limpia y bien iluminada.** Las áreas desordenadas u oscuras pueden generar accidentes.

- **No opere herramientas eléctricas en atmósferas explosivas, como ante presencia de gases, polvo o líquidos inflamables.** Las herramientas eléctricas generan chispas que pueden encender el polvo o humos.
- **Mantenga alejados a niños y transeúntes mientras opera una herramienta eléctrica.** Las distracciones pueden hacerle perder el control.

## Seguridad eléctrica

- **Los enchufes de la herramienta eléctrica deben coincidir con la toma de corriente. Nunca modifique el enchufe de ninguna forma. No utilice enchufes con adaptador con herramientas eléctricas conectadas a tierra.** Los enchufes sin modificaciones y las tomas correspondientes reducen el riesgo de sacudida eléctrica.
- **Evite el contacto corporal con superficies conectadas a tierra, como tuberías, radiadores, estufas y refrigeradores.** Existe un mayor riesgo de sacudida eléctrica si su cuerpo está conectado a tierra.
- **No exponga las herramientas eléctricas a la lluvia o a la humedad.** Si entra agua en una herramienta eléctrica, aumenta el riesgo de sacudida eléctrica.
- **No haga mal uso del cable. Nunca utilice el cable para transportar, tirar o desconectar la herramienta eléctrica. Mantenga el cable alejado del calor, el aceite, los bordes afilados o las piezas en movimiento.** Cables dañados o enredados aumentan el riesgo de sacudida eléctrica.
- **Al operar una herramienta eléctrica en exteriores, utilice un cable de extensión apto para su uso al aire libre.** La utilización de un cable apto para el uso al aire libre reduce el riesgo de sacudida eléctrica.
- **Si no se puede evitar el uso de una herramienta eléctrica en un lugar húmedo, utilice un suministro con protección de un interruptor de circuito diferencial (RCD, por su sigla en inglés).** El uso de un RCD reduce el riesgo de sacudida eléctrica.

## Seguridad personal

- **Permanezca alerta, vea lo que está haciendo y use el sentido común cuando opere una herramienta eléctrica. No utilice una herramienta eléctrica si está cansado o bajo la influencia de drogas, alcohol o medicamentos.** Un momento de distracción a la hora de operar una herramienta eléctrica puede generar daños personales graves.
- **Utilice el equipo de protección personal. Siempre utilice protección ocular.** El equipo de protección (como máscara contra polvo, calzado de seguridad antideslizante, casco o protectores auriculares) que se utiliza en condiciones pertinentes reducirá los daños personales.
- **Evite el arranque accidental. Asegúrese de que el interruptor está en la posición de apagado antes de conectar la fuente de alimentación, recoger o transportar el aparato.** Al transportar

herramientas eléctricas con su dedo en el interruptor o al suministrarles corriente con el interruptor en la posición de encendido, se pueden provocar accidentes.

- **Quite cualquier llave de ajuste antes de encender la herramienta eléctrica.** Una llave conectada a una pieza giratoria de la herramienta eléctrica puede causar daños personales.
- **No se estire demasiado. Mantenga una posición y un equilibrio adecuados en todo momento.** Esto permite un mejor control de la herramienta eléctrica en situaciones inesperadas.
- **Vístase adecuadamente. No use ropa suelta ni joyas. Mantenga el pelo y la ropa lejos de las piezas en movimiento.** La ropa suelta, las joyas o el cabello largo pueden quedar atrapados en las partes que se mueven.
- **Si se proporcionan dispositivos para la conexión de instalaciones de recolección y extracción de polvo, asegúrese de que estos se conecten y utilicen de manera pertinente.** El uso de recolectores de polvo puede reducir los peligros relacionados con el polvo.
- **No se confíe de los conocimientos obtenidos a partir del uso frecuente de las herramientas ni pase por alto los principios de seguridad de uso de las herramientas.** Una acción negligente puede causar una lesión grave en una fracción de segundo.

## Uso y cuidado de la herramienta eléctrica

- **No fuerce la herramienta eléctrica. Utilice la herramienta eléctrica correcta según su aplicación.** Con la herramienta eléctrica correcta, hará el trabajo mejor y de manera más segura a razón del propósito para la cual fue diseñada.
- **No utilice la herramienta eléctrica si no se puede encender o apagar con el interruptor.** Cualquier herramienta eléctrica que no se puede controlar con el interruptor conlleva peligros y se debe reparar.
- **Desconecte el enchufe de la fuente de energía o retire la unidad de batería, si es desmontable, de la herramienta eléctrica antes de hacer ajustes, cambiar accesorios o almacenar la herramienta eléctrica.** Tales medidas de seguridad preventivas reducen el riesgo de arranque accidental de la herramienta eléctrica.
- **Almacene las herramientas eléctricas inactivas fuera del alcance de los niños y no permita que personas que no estén familiarizadas con la herramienta eléctrica o con estas instrucciones operen la herramienta eléctrica.** Las herramientas eléctricas conllevan peligros en manos de usuarios inexpertos.
- **Realice mantenimiento en las herramientas eléctricas y los accesorios. Revise en busca de atascamiento o desalineación de las piezas móviles, rotura de piezas o cualquier otra condición que pueda afectar el funcionamiento de la herramienta eléctrica.** Si se daña, repare la herramienta eléctrica antes de su uso. Muchos de los accidentes

se deben a herramientas eléctricas con un mal mantenimiento.

- **Mantenga las herramientas de corte afiladas y limpias.** Las herramientas de corte con un mantenimiento correcto y bordes cortantes afilados son menos propensas a atascamientos y más fáciles de controlar.
- **Utilice la herramienta eléctrica, los accesorios, las barrenas, etc. de acuerdo con estas instrucciones, conforme a las condiciones de trabajo y la tarea que se debe realizar.** El uso de la herramienta eléctrica en operaciones distintas de las previstas podría generar una situación peligrosa.
- **Mantenga los mangos y las superficies de agarre secos, limpios y sin grasa ni aceite.** Los mangos y las superficies de agarre resbaladizas no permiten un manejo seguro ni el control de la herramienta en situaciones imprevistas.

## Uso y cuidado de la herramienta alimentada por batería

- **Recargue únicamente con el cargador especificado por el fabricante.** Un cargador apto para un tipo de unidad de batería puede implicar riesgo de incendio si se usa con otra unidad de batería distinta.
- **Utilice las herramientas eléctricas únicamente con las unidades de batería específicas para ellas.** El uso de otras baterías puede implicar riesgo de lesiones e incendio.
- **Cuando la unidad de batería no esté en uso, manténgala alejada de otros objetos metálicos, como sujetapapeles, monedas, llaves, clavos, tornillos u otros objetos metálicos pequeños que puedan provocar una conexión entre los terminales.** Si hace un puente entre los terminales de la batería, puede causar quemaduras o un incendio.
- **En condiciones extremas, la batería puede expulsar líquido; evite el contacto. Si se produjera un contacto accidentalmente, enjuáguese con agua. Si el líquido entra en contacto con los ojos, además, acuda a un médico.** El líquido expulsado de la batería puede causar irritaciones o quemaduras.
- **No utilice una unidad de batería ni una herramienta dañada o modificada.** Las baterías dañadas o modificadas pueden presentar un funcionamiento impredecible que puede provocar un incendio, una explosión o un riesgo de lesiones.
- **No exponga una unidad de batería ni una herramienta al fuego o una temperatura excesiva.** La exposición al fuego o una temperatura superior a 130 °C / 266 °F puede causar una explosión.
- **Siga todas las instrucciones de carga y no cargue la batería ni la herramienta en condiciones que superen el rango de temperatura especificado en las instrucciones.** De lo contrario, podría dañar la batería y aumentar el riesgo de incendio.

## Servicio

- **Asegúrese de que un experto calificado realice la reparación de la herramienta eléctrica solo con piezas de repuesto idénticas.** Esto garantizará que se mantenga la seguridad de la herramienta eléctrica.
- **Nunca realice servicio a unidades de baterías dañadas.** Solo el fabricante o los proveedores de servicios autorizados deben realizar el servicio de las unidades de batería.

## Instrucciones de seguridad para el funcionamiento



**ADVERTENCIA:** Lea atentamente las instrucciones de advertencia siguientes antes de usar el producto.

- Asegúrese de saber cómo detener el producto rápidamente en caso de emergencia.
- No permita que niños o personas que no conozcan las instrucciones utilicen el producto.
- Asegúrese de conocer los controles y el funcionamiento correcto del producto.
- El usuario debe tener la resistencia física necesaria para hacer funcionar el producto de manera segura.
- Utilice el equipo de protección personal. Consulte *Equipo de protección personal en la página 25*.
- Asegúrese de que solo personas autorizadas estén en la zona de trabajo.
- Mantenga el área de trabajo limpia y despejada.
- Asegúrese de encontrarse en una posición segura y estable durante la operación.
- Asegúrese de que no haya riesgo de que usted o el producto puedan caer desde las alturas.
- Asegúrese de que no haya grasa ni aceite en el mango.
- No utilice el producto en áreas donde se pueden producir explosiones o fuego.
- El producto puede hacer que los objetos salgan eyectados a alta velocidad. Asegúrese de que todas las personas en el área de trabajo utilicen equipos de protección personal aprobados. Retire los objetos sueltos del área de trabajo.
- Antes de alejarse del producto, deténgalo y desconecte la batería.
- Asegúrese de que la tensión de la batería corresponda con la tensión indicada en la placa de características del producto.
- Asegúrese de que ninguna prenda, cabello largo o joya puedan quedar atrapados en las piezas móviles.
- No se sienta sobre el producto.
- No golpee el producto.
- Antes de utilizar el producto, asegúrese de que el área de trabajo sea segura.



## Seguridad de vibración



**ADVERTENCIA:** Lea atentamente las instrucciones de advertencia siguientes antes de usar el producto.

- Durante el funcionamiento del producto, se transmiten vibraciones del producto al operador. El uso frecuente y regular del producto puede provocarle lesiones al operador o aumentar el grado de estas. Se pueden producir lesiones en los dedos, las manos, las muñecas, los brazos, los hombros o los nervios, así como en el riego sanguíneo u otras partes del cuerpo. Las lesiones pueden ser debilitantes o permanentes, y pueden aumentar gradualmente durante semanas, meses o años. Entre las posibles lesiones se incluyen daños en el sistema de circulación sanguínea, el sistema nervioso, las articulaciones y otras estructuras corporales.
- Los síntomas pueden presentarse durante el funcionamiento del producto o en otro momento. Si tiene síntomas y continúa utilizando el producto, los síntomas pueden aumentar o hacerse permanentes. Si se producen estos u otros síntomas, solicite asistencia médica:
  - Entumecimiento, pérdida de sensación, hormigueo, picazón, dolor, ardor, dolor pulsante, rigidez, aturdimiento, pérdida de fuerza, cambios en el color o en el estado de la piel.
- Los síntomas pueden aumentar con el frío. Utilice ropa de abrigo y mantenga las manos calientes y secas cuando utilice el producto en entornos fríos.
- Realice el mantenimiento del producto y utilícelo según se indica en el manual de usuario, para mantener un nivel de vibración correcto.
- El producto tiene un sistema amortiguador de vibraciones que disminuye las vibraciones de las manijas al operador. Deje que el producto haga el trabajo. No ejerza fuerza para empujar el producto. Sujete ligeramente el producto en las manijas, pero asegúrese de controlarlo y operarlo de forma segura. No empuje las manijas en los topes más de lo necesario.
- Mantenga las manos solamente en las manijas. No acerque ninguna otra parte de cuerpo al producto.
- Detenga el producto de inmediato si se producen vibraciones fuertes repentinamente. No continúe la operación hasta eliminar la causa del aumento de las vibraciones.

## Seguridad contra el polvo



**ADVERTENCIA:** Lea atentamente las instrucciones de advertencia siguientes antes de usar el producto.

- El funcionamiento del producto puede causar suspensión de polvo en el aire. El polvo puede

causar lesiones graves y problemas de salud permanentes. Varias autoridades han establecido regulaciones con respecto a los efectos dañinos del polvo de sílice. A continuación, se presentan algunos ejemplos de tales problemas de salud:

- Enfermedades pulmonares mortales como bronquitis crónica, silicosis y fibrosis pulmonar
- Cáncer
- Anomalías congénitas
- Inflamación de la piel
- Utilice el equipo correcto para disminuir la cantidad de polvo y gases en el aire y para disminuir la cantidad de polvo en el equipo de trabajo, las superficies, la ropa y las partes del cuerpo. Algunos ejemplos de mecanismos de control son los sistemas de recolección de polvo y los aspiradores de agua para adherir el polvo. Disminuya el polvo en el origen cuando sea posible. Asegúrese de que el equipo se instale y utilice correctamente, y de que se le realice mantenimiento regular.
- Utilice protección respiratoria aprobada. Asegúrese de utilizar protección respiratoria cuando se trabaje con materiales peligrosos en el área de trabajo.
- Asegúrese de que haya un flujo de aire suficiente en la zona de trabajo.
- Si es posible, dirija el escape del producto hacia un punto en que no cause suspensión de polvo en el aire.

## Seguridad contra el ruido



**ADVERTENCIA:** Lea atentamente las instrucciones de advertencia siguientes antes de usar el producto.

- Los niveles altos de ruido y la exposición a largo plazo al ruido pueden causar pérdida auditiva.
- Para mantener el nivel de ruido al mínimo, realice el mantenimiento del producto y utilícelo según se indica en el manual de usuario.
- Utilice protectores auriculares aprobados cuando opere el producto.
- Cuando utilice protectores auriculares, esté atento a las señales de advertencia y a las voces. Quítelos los protectores auriculares cuando el producto esté detenido, a menos que sean necesarios para el nivel de ruido en la zona de trabajo.

## Equipo de protección personal



**ADVERTENCIA:** Lea atentamente las instrucciones de advertencia siguientes antes de usar el producto.

- Utilice siempre el equipo de protección personal aprobado cuando utilice el producto. El equipo de protección personal no puede impedir el riesgo de lesiones, pero disminuirá el grado de lesión si ocurre un accidente. Solicite a su concesionario

que lo ayude a seleccionar el equipo de protección personal correcto.

- Realice periódicamente una comprobación del estado del equipo de protección personal.
- Utilice un casco protector aprobado.
- Use protección auricular aprobada.
- Utilice protección respiratoria aprobada.
- Utilice protección ocular aprobada con protección lateral.
- Use guantes protectores.
- Utilice botas con punta de acero y suela antideslizante.
- Utilice ropa de trabajo aprobada o ropa equivalente de ajuste ceñido, que cubra por completo los brazos y las piernas.

### Extintor de incendios

- Mantenga un extintor de incendios a mano durante la operación.
- Utilice un extintor de incendios de polvo de clase "ABE" o un extintor de dióxido de carbono de tipo "BE".

### Dispositivos de seguridad en el producto

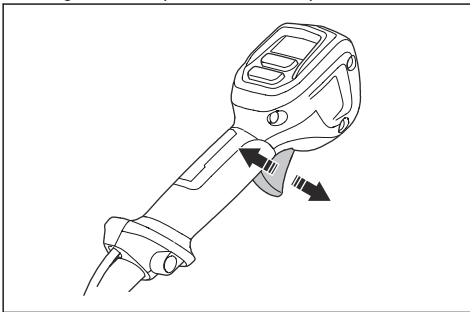


**ADVERTENCIA:** Lea atentamente las instrucciones de advertencia siguientes antes de usar el producto.

- No utilice un producto con dispositivos de seguridad dañados o que no funcionen correctamente.
- Revise los dispositivos de seguridad de forma regular. Si los dispositivos de seguridad están dañados o no funcionan correctamente, hable con su agente de servicio de Husqvarna.
- No realice modificaciones en los dispositivos de seguridad.

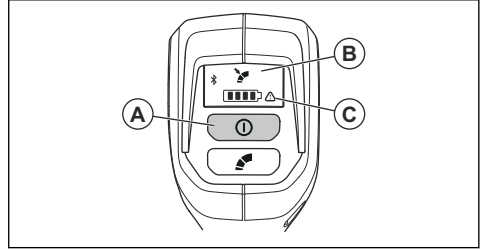
### Para comprobar el funcionamiento del gatillo de alimentación

- Presione y suelte el gatillo de alimentación para asegurarse de que se mueve sin problemas.



### Para comprobar la interfaz de usuario

1. Mantenga presionado el botón ON/OFF (A).



- a) El producto se enciende cuando la luz LED (B) se enciende.
  - b) El producto se apaga cuando la luz LED (B) se apaga.
2. Consulte *Solución de problemas en la página 33* en el caso de que el indicador de advertencia (C) esté iluminado o en intermitencia.

### Amortiguadores de vibraciones

Los amortiguadores de vibraciones disminuyen la vibración en el producto. Los amortiguadores de vibraciones disminuyen las vibraciones perjudiciales para evitar lesiones al operador y daños al producto.

### Para revisar los amortiguadores de vibraciones

1. Asegúrese de que no haya grietas o deformación en los amortiguadores de vibraciones.
2. Asegúrese de que los amortiguadores de vibraciones estén fijados correctamente a la unidad del motor y a la unidad del mango.

### Seguridad de la batería



**ADVERTENCIA:** Lea atentamente las instrucciones de advertencia siguientes antes de usar el producto.

- Utilice solo las baterías Husqvarna BLi que recomendamos para el producto. Las baterías cuentan con un software cifrado.
- Utilice baterías recargables Husqvarna BLi como fuente de alimentación solo para los productos Husqvarna relacionados. Para evitar daños, no utilice la batería como fuente de alimentación en otros dispositivos.
- Riesgo de sacudida eléctrica. No conecte los terminales de la batería a llaves, tornillos ni a otros objetos metálicos. Esto puede provocar un cortocircuito de la batería.
- No introduzca objetos en las ranuras de aire de la batería.
- Mantenga la batería alejada de la luz solar, del calor o de llamas. La batería puede explotar y causar quemaduras por fuego o químicas.

- Mantenga la batería alejada de condiciones húmedas y de la lluvia.
- Mantenga la batería alejada de microondas y de alta presión.
- No intente desarmar o romper la batería.
- No deje que el ácido de la batería entre en contacto con la piel. El ácido de la batería provoca lesiones, corrosión y quemaduras en la piel. Si le entra ácido de la batería a los ojos, no los frote, enjuáguese con agua por lo menos 15 minutos. Si el ácido de la batería toca su piel, debe limpiar la piel con una gran cantidad de agua y jabón. Busque asistencia médica.
- Utilice la batería a temperaturas entre -10 °C/14 °F y 40 °C/104 °F.
- No limpie con agua la batería o el cargador de batería. Consulte *Para limpiar el producto en la página 33*.
- No utilice una batería dañada o defectuosa.
- Almacene las baterías en compartimientos alejados de objetos metálicos, como clavos, tornillos o joyas.
- Mantenga las baterías alejadas de los niños.

### Seguridad del cargador de batería



**ADVERTENCIA:** Lea atentamente las instrucciones de advertencia siguientes antes de usar el producto.

- Existe riesgo de sacudidas eléctricas o cortocircuitos si no se siguen las instrucciones de seguridad.
- No utilice otros cargadores de batería además del proporcionado para su producto. Solo utilice cargadores QC Husqvarna cuando cargue las baterías BLi de repuesto Husqvarna.
- No intente desarmar el cargador de batería.
- No utilice un cargador de batería dañado o defectuoso.
- Utilice el cargador de la batería en niveles de temperatura de entre 5 °C/41 °F y 40 °C/104 °F.
- No levante el cargador de batería tirando del cable de alimentación. Para desconectar el cargador de

batería de la toma de corriente, tire del enchufe. No tire del cable de alimentación.

- Mantenga todos los cables y las extensiones alejados del agua, aceite y bordes afilados. Asegúrese de que el cable no quede atrapado entre puertas, cercos u objetos similares.
- No utilice el cargador de batería cerca de materiales inflamables o materiales que puedan causar corrosión. Asegúrese de que el cargador de la batería no esté cubierto. Desconecte el cargador de batería del enchufe en caso de incendio o humo.

### Instrucciones de seguridad para el mantenimiento



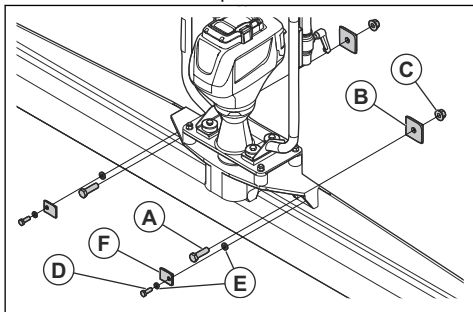
**ADVERTENCIA:** Lea atentamente las instrucciones de advertencia antes de realizar mantenimiento al producto.

- Retire la batería antes de hacer el mantenimiento, otras revisiones o el armado del producto.
- El operador solo debe hacer el mantenimiento y el servicio que se indica en el manual del usuario. Acuda a su concesionario de servicio cuando deba realizar mantenimiento y servicio a mayor escala.
- No limpie con agua la batería o el cargador de batería. Los detergentes fuertes pueden dañar el plástico.
- Si no realiza el mantenimiento, disminuye la vida útil del producto y aumenta el riesgo de accidentes.
- Se necesita capacitación especial para todos los trabajos de servicio y reparación, especialmente de los dispositivos de seguridad del producto. Si no se aprueban todas las comprobaciones establecidas en este manual del usuario después de realizar el mantenimiento, acuda al concesionario de servicio. Garantizamos que existen reparaciones y servicios profesionales disponibles para su producto.
- Solo utilice piezas de repuesto originales.

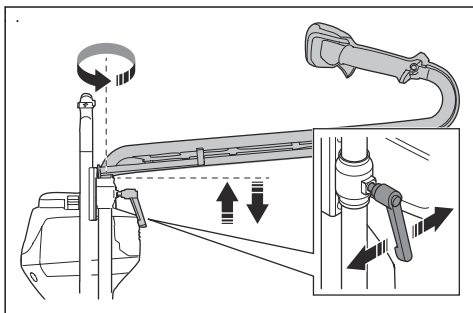
## Para armar el producto

1. Instale una viga del ancho correcto para la operación.

- a) Conecte los pernos M12 (A) con las arandelas cuadradas (B) y las tuercas (C). Los pernos M12, las tuercas y las arandelas cuadradas se suministran con el producto.

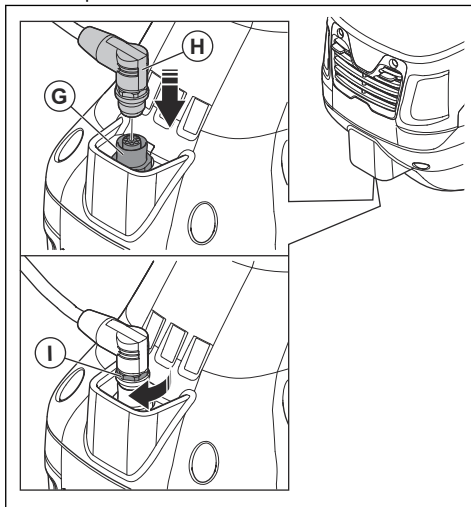


- b) Fije los pernos (D) y las arandelas (E y F) al producto. Los pernos y las arandelas se suministran con el producto.
- c) Aplique un par de 80 Nm al perno. Vuelva a apretar los pernos después de los primeros 30 minutos de funcionamiento.

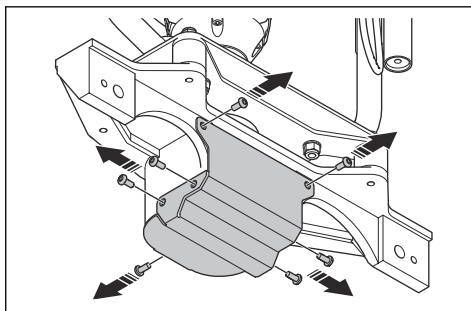


3. Apriete las palancas de bloqueo cuando se ajuste la posición de funcionamiento correcta.
4. Cuando el mango esté en la posición correcta, tire de las palancas de bloqueo hacia afuera. Esto bloquea las palancas de bloqueo para asegurarse de que la posición del mango no cambie durante el funcionamiento.
5. Instale el cable de interfaz de usuario.
- a) Retire la cubierta protectora del conector (G) en el producto.

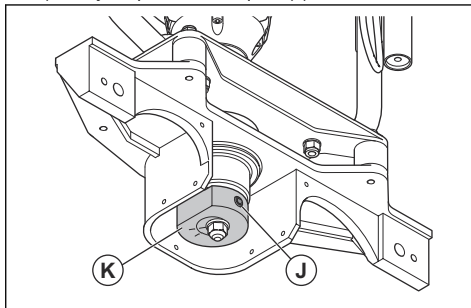
- b) Retire la cubierta protectora del cable de interfaz de usuario (H) y conéctelo. Asegúrese de que el conector del cable de interfaz de usuario está en la posición correcta.



- c) Apriete la contratuercia (I) por completo.
6. Ajuste el peso excéntrico a la longitud de la viga y el asentamiento del hormigón.
- a) Quite los 7 tornillos y la cubierta del elemento excéntrico.



- b) Afloje el perno de bloqueo (J).



- c) Gire el elemento excéntrico (K) para ajustar el peso. La siguiente tabla muestra cuánto debe girar el elemento excéntrico con diferentes vigas y diferentes concretos asentados. Hay 4 marcas en el elemento excéntrico: 62 %, 75 %, 87 % y 100 %.

Longitud de la viga, m/ pies	Asentamiento de hormigón				
	S1 <sup>6</sup>	S2	S3	S4	S5 <sup>7</sup>
6,0/1,82	N/A	100 %	75 %	62 %	62 %
2,44/8,0	N/A	100 %	87 %	75 %	62 %

Longitud de la viga, m/ pies	Asentamiento de hormigón				
	N/A	100 %	87%	75 %	62 %
3,05/10,0	N/A	100 %	87%	75 %	62 %
3,66/12,0	N/A	100 %	100 %	87 %	75 %
4,26/14,0	N/A	100 %	100 %	87 %	75 %

- d) Apriete el perno de bloqueo.  
e) Instale la tapa del elemento excéntrico y los 4 tornillos.

## Montaje

## Funcionamiento

### Introducción



**ADVERTENCIA:** Asegúrese de leer y comprender el capítulo de seguridad antes de utilizar el producto.

### Haga lo siguiente antes de usar el producto

- Lea atentamente el manual del usuario y asegúrese de entender las instrucciones.
- Asegúrese de que la batería esté cargada.
- Conecte la batería al producto.
- Realice el mantenimiento diario. Consulte *Programa de mantenimiento en la página 32*.

### Frecuencia de vibración y velocidad de funcionamiento

Es necesario ajustar la frecuencia de vibración según el estado del hormigón. Para hormigón que contiene una baja cantidad de agua, se necesita una mayor frecuencia de vibración. Para hormigón que contiene una gran cantidad de agua, se necesita una menor frecuencia de vibración. Las diferencias en la velocidad del movimiento y la frecuencia de vibración proporcionan diferentes resultados.

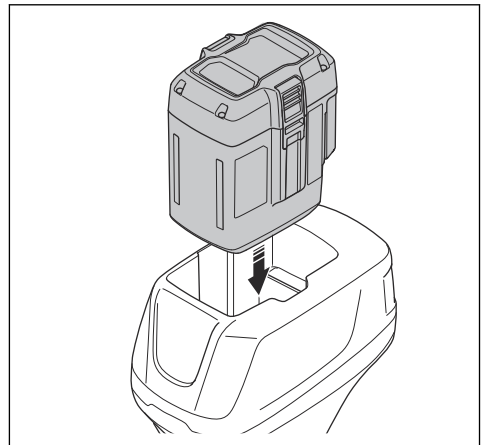
Disminuya la velocidad si la viga se agita demasiado o forma demasiada lechada sobre la superficie. Aumente la velocidad si la viga no forma suficiente lechada en la superficie.

### Para conectar la batería al producto



**ADVERTENCIA:** Utilice solo baterías originales Husqvarna en el producto.

1. Asegúrese de que la batería esté totalmente cargada.
2. Coloque la batería en el compartimiento de batería del producto. La batería debe moverse hacia el soporte fácilmente. Si no es así, no se instaló correctamente.



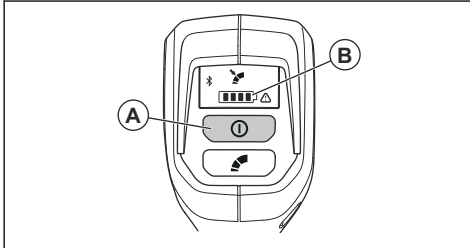
<sup>6</sup> El contenido de agua más bajo en el hormigón asentado.

<sup>7</sup> El mayor contenido de agua en el hormigón asentado.

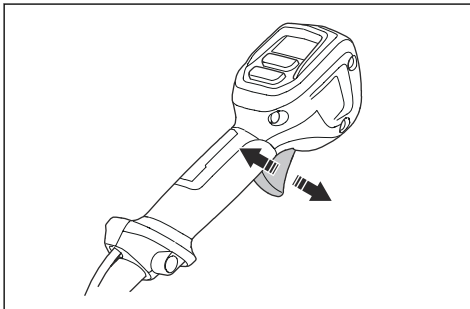
- Introduzca la batería por completo en el soporte de la batería. Cuando escuche un clic, significará que la batería se encuentra fija en su posición correspondiente.
- Asegúrese de que los seguros encajen en su posición correctamente.

## Para poner en marcha el producto

- Conecte la batería al producto.
- Mantenga presionado el botón ON/OFF (A) hasta que se encienda el indicador de batería (B).



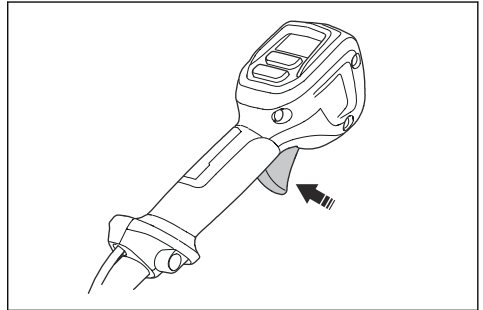
- Utilice el gatillo de alimentación para controlar la velocidad.



## Para hacer funcionar el producto

- Rocíe la viga con un aceite de encofrado para hormigón agente de desprendimiento para hormigón. Esto facilita la limpieza del producto después de la operación, ya que el hormigón no se fija a la viga.
- Ponga la viga al inicio de la primera sección de la superficie de hormigón.
- Encienda el producto. Consulte *Para poner en marcha el producto en la página 30*.
- Sostenga los mangos firmemente.

- Presione el gatillo de alimentación para iniciar el funcionamiento. Utilice el gatillo de alimentación para ajustar la fuerza de vibración.



**AVISO:** Si utiliza una fuerza de vibración demasiado alta, se puede acumular lechada en la superficie. Si utiliza una fuerza de vibración demasiado baja, es posible que no se eliminen todas las burbujas de aire del hormigón.

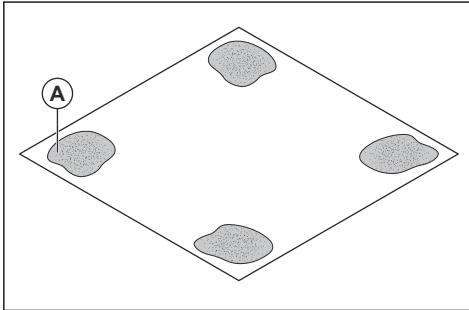


**ADVERTENCIA:** No utilice el producto si no funciona correctamente. Los signos de fallas en el hardware o malfuncionamiento del software relacionados con la unidad de control del motor pueden provocar descargas eléctricas, incendios o lesiones graves.

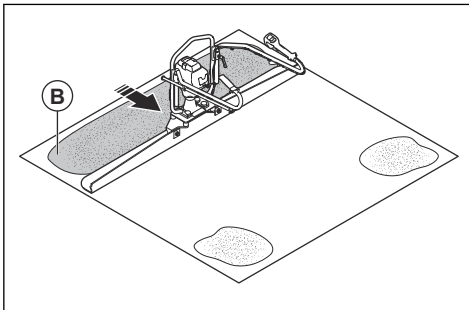
**Tenga en cuenta:** El producto se detiene automáticamente si no se utiliza durante 5 minutos.

- Presione el botón de control de crucero para establecer la frecuencia de vibración seleccionada. Consulte *Para hacer funcionar la función de control de crucero en la página 31*.
- Camine lento hacia atrás y, al mismo tiempo, levante el producto hasta que el borde trasero de la viga quede ligeramente levantado. Las vibraciones eliminan las huellas de calzado de la superficie de hormigón.
- Ponga de 30 a 35 cm/11,8 a 13,8 in de la viga sobre la superficie lisa del hormigón para hacer una superposición en la siguiente sección de la superficie.
- Para crear áreas de hormigón niveladas, realice el procedimiento que se indica a continuación.

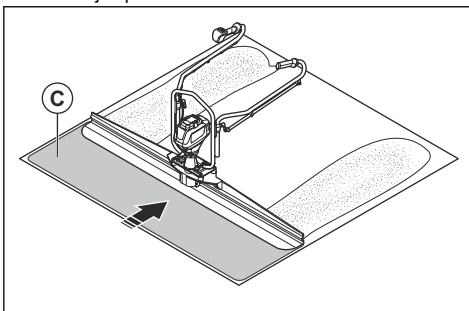
- a) En las 4 esquinas, haga áreas de hormigón húmedo de 30 a 45 cm/11,8 a 17,7 in de diámetro (A) con una llana de mano. Utilice un láser para asegurarse de que las áreas de hormigón húmedo tengan el nivel correcto. La distancia entre los bordes exteriores de las áreas de hormigón húmedo no debe ser mayor que la longitud de la viga.



- b) Haga funcionar el producto entre las áreas de hormigón mojado para crear 2 franjas paralelas (B). Las franjas deben ser de 30 a 45 cm/11,8 a 17,7 in de ancho.

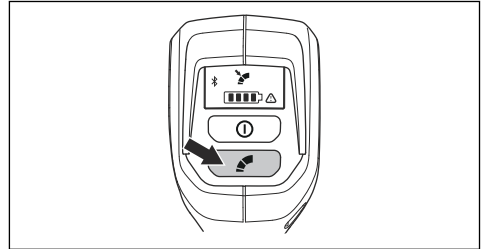


- c) Ponga el extremo de la viga en cada una de las franjas paralelas y opere el producto (C). Asegúrese de que la viga siga el contorno de las franjas paralelas.



## Para hacer funcionar la función de control de crucero

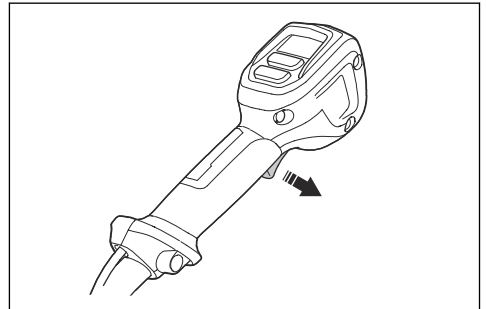
1. Presione el gatillo de alimentación para seleccionar la frecuencia de vibración óptima para la operación.
2. Presione el botón de control de crucero para establecer la frecuencia de vibración seleccionada. La luz LED se enciende.



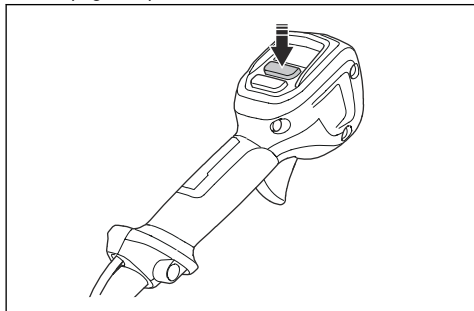
3. Suelte el gatillo de alimentación para hacer funcionar el producto con la función de control de crucero.
4. Para aumentar la frecuencia de vibración, realice el procedimiento que se indica a continuación.
  - a) Presione el botón del control de crucero para detener la función del control de crucero.
  - b) Presione el gatillo de alimentación al nivel correcto. Luego, presione el botón de control de crucero para establecer la nueva velocidad de control de crucero.

## Para detener el producto

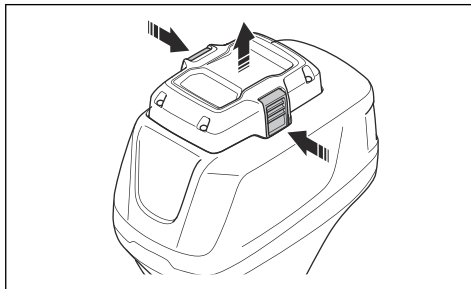
1. Suelte el gatillo de alimentación.



2. Mantenga presionado el botón ON/OFF hasta que se apague la pantalla LED.



3. Presione los botones de liberación de la batería y retírela.



## Mantenimiento

### Introducción



**ADVERTENCIA:** Lea detenidamente el capítulo de seguridad antes de realizar mantenimiento en el producto.

### Programa de mantenimiento

Mantenimiento	A diario	Una vez por semana	Una vez al mes
Limpie la máquina.	X		
Asegúrese de que el botón ON/OFF funcione correctamente y que no está dañado.	X		
Asegúrese de que el gatillo de alimentación funcione correctamente en términos de seguridad. Consulte <i>Para comprobar el funcionamiento del gatillo de alimentación en la página 26</i>	X		
Asegúrese de que no hay aceite ni grasa en los mangos y que están secos y limpios.	X		
Asegúrese de que las tuercas y los tornillos estén apretados.	X		
Asegúrese de que los botones de liberación de la batería funcionan correctamente y que fijan la batería al producto.	X		
Asegúrese de que el cargador de la batería funcione correctamente y que no presente daños.	X		
Asegúrese de que la batería no esté dañada.	X		
Asegúrese de que la batería esté cargada.	X		
Examine todos los cables, los acoplamientos y las conexiones. Asegúrese de que no están dañados ni sucios.		X	
Realice una comprobación de las conexiones entre la batería y el producto. Examine también la conexión entre la batería y el cargador de batería.			X



Mantenimiento	A diario	Una vez por semana	Una vez al mes
Asegúrese de que las unidades amortiguadoras de vibraciones no están dañadas. Consulte <i>Para revisar los amortiguadores de vibraciones en la página 26.</i>			X

## Para limpiar el producto

- Quite el hormigón de las superficies del producto después de cada operación antes de que se endurezca.
- Use agua y un cepillo para limpiar el producto.



**AVISO:** No apunte el agua directamente hacia los componentes eléctricos, la batería o el motor.

- Rocíe la viga con un aceite de encofrado para hormigón agente de desprendimiento para hormigón. Esto facilita la limpieza del producto después de la próxima operación.

- Quite la grasa y el aceite del mango.
- Limpie el motor, la batería y el cargador de la batería con un paño seco. Mantenga limpios los rieles de guía de la batería.
- Asegúrese de que los terminales en la batería y el cargador están limpios. Siempre haga esto antes de poner la batería en el cargador o en el producto.

## Solución de problemas

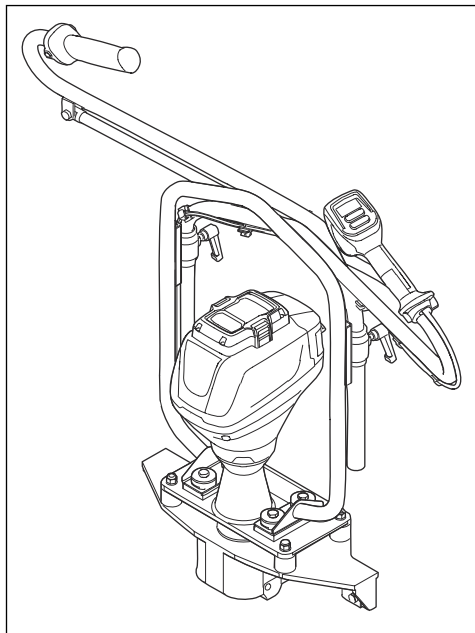
Síntoma	Causas posibles	Paso recomendado
El producto no arranca. No se enciende ningún LED cuando se presiona el botón ON/OFF.	Suciedad en los conectores de la batería.	Limpie con aire comprimido o un cepillo suave.
	La batería está defectuosa.	Pulse el botón en la batería. Se debe encender al menos una luz LED verde.
	Conectores de alimentación defectuosos entre la batería y el producto.	Asegúrese de que los conectores de alimentación entre la batería y el producto no están dañados.
	Conexión defectuosa con el conector de la interfaz de usuario.	Asegúrese de que el conector de la interfaz de usuario está montado correctamente.
	La interfaz de usuario está caída.	Comuníquese con su agente de servicio Husqvarna.
	Los cables entre la unidad de control y la interfaz de usuario están dañados.	Comuníquese con su agente de servicio Husqvarna.
	Cortocircuito en la unidad de control.	Comuníquese con su agente de servicio Husqvarna.
Luz LED verde intermitente.	Baja tensión de la batería	Cargue la batería.
Luz LED roja de error intermitente.	La temperatura del motor es demasiado alta.	Espere a que el producto se enfríe.
	La temperatura de la unidad de control o de la batería es demasiado baja.	Asegúrese de que el producto y la batería no tengan una temperatura por debajo de los -10 °C.
	El gatillo de alimentación y el botón ON/OFF se utilizan al mismo tiempo.	Suelte el gatillo de alimentación.

Síntoma	Causas posibles	Paso recomendado
La luz LED roja de error está encendida.	Los códigos de error permanentes evitan que el producto arranque.	Comuníquese con su agente de servicio Husqvarna.
	La unidad de control está rota.	Comuníquese con su agente de servicio Husqvarna.
	Es necesario realizar tareas de mantenimiento al producto.	Comuníquese con su agente de servicio Husqvarna.
No hay respuesta del motor cuando se presiona el gatillo de alimentación.	Los conectores del motor no están ensamblados correctamente.	Comuníquese con su agente de servicio Husqvarna.
	Cortocircuito en la unidad de control.	Comuníquese con su agente de servicio Husqvarna.
	El motor se rompió.	Comuníquese con su agente de servicio Husqvarna.
Reacción repentina del motor cuando se presiona el gatillo de alimentación, luego el motor se detiene.	Cortocircuito en la unidad de control.	Comuníquese con su agente de servicio Husqvarna.
El producto se detiene cuando se aplica carga de trabajo.	Mala conexión entre la batería y el producto.	Asegúrese de que los conectores de alimentación entre la batería y el producto están limpios y sin daños.
El producto se pone en marcha, pero no hay vibración.	El amortiguador de vibraciones en el eje de vibración está dañado.	Comuníquese con su agente de servicio Husqvarna.
Las vibraciones en el producto no son las correctas.	El elemento excéntrico no está ajustado correctamente.	Ajuste el elemento excéntrico. Consulte <i>Para armar el producto en la página 27</i> .
El nivel de ruido es demasiado alto.	Los cojinetes de vibración están dañados.	Comuníquese con su agente de servicio Husqvarna.
	Las perillas del mango no están lo suficientemente apretadas.	Apriete las perillas del mango.
Las vibraciones no son iguales en la superficie de hormigón.	La frecuencia de vibración no es correcta para esta superficie de hormigón.	Ajuste la velocidad de vibración para que las vibraciones sean iguales en la superficie de hormigón. Consulte <i>Frecuencia de vibración y velocidad de funcionamiento en la página 29</i> .
	Procedimiento de vibración incorrecto.	Opere el producto correctamente. Consulte <i>Para hacer funcionar el producto en la página 30</i> .
La vibración en el mango es demasiado alta.	El amortiguador de vibraciones está gastado.	Comuníquese con su agente de servicio Husqvarna.

# Transporte, almacenamiento y eliminación de residuos

## Transporte y almacenamiento

- Mantenga los mangos plegados durante el transporte.



- No mantenga la batería en un área donde pueda generarse electricidad estática. No mantenga la batería en una caja metálica.
  - Guarde la batería en un lugar donde la temperatura oscile entre los 5 °C/41 °F y los 25 °C/77 °F, lejos de la luz solar directa.
  - Guarde el cargador de la batería en un lugar donde la temperatura oscile entre los 5 °C/41 °F y los 45 °C/113 °F, lejos de la luz solar directa.
  - Mantenga la batería lejos del cargador de la batería durante el almacenamiento.
  - Mantenga la batería y el cargador de batería en un lugar cerrado, seco y sin escarcha.
  - Mantenga el producto en un lugar seco y sin escarcha.
  - Mantenga el producto en un área cerrada para evitar que los niños u otras personas sin autorización puedan acceder a él.
- Desconecte el cable de interfaz de usuario.
  - Fije el producto de manera segura durante el transporte.
  - Retire la batería para almacenarla o transportarla.
  - Las baterías de iones de litio proporcionadas siguen los requisitos de la Legislación de productos peligrosos.
  - Siga los requisitos especiales sobre el embalaje y las etiquetas para transportes comerciales, incluidos los de terceros y transportistas.
  - Comuníquese con una persona con capacitación especial sobre materiales peligrosos antes de enviar el producto. Siga todas las normas nacionales aplicables.
  - Cargue la batería de un 30 % a un 50 % antes de almacenarla durante períodos prolongados.
  - Limpie el producto y realice un mantenimiento total antes de almacenarlo durante un período prolongado.
  - Utilice cinta sobre las conexiones abiertas cuando ponga la batería en un paquete. Coloque firmemente la batería en el paquete para evitar el movimiento.

## Eliminación de la batería, el cargador y el producto

El siguiente símbolo significa que el producto no se debe desechar como residuo doméstico. Reciclelo en una planta de reciclaje para equipo eléctrico y electrónico. Esto ayuda a evitar daño al medioambiente y a las personas.

Comuníquese con las autoridades locales, servicio de desechos doméstico o con su concesionario para obtener más información.



**Tenga en cuenta:** El símbolo se muestra en el producto o en el paquete del producto.

---

## Datos técnicos

---

### Datos técnicos

Peso sin la batería, kg/lb	25/11,5
Marca/tipo de motor	Husqvarna / 36V
Potencia del motor, kW/hp a rpm	0,8/1,1 a 7500

<b>Emisiones de ruido y vibración</b>	
Nivel de potencia acústica, medido en dB (A) <sup>8</sup>	109
Nivel de presión sonora en el oído del operador, L <sub>p</sub> dB (A) <sup>9</sup>	108
Nivel de vibración, ahv, m/s a 7500 rpm, 100 % de fuerza excéntrica con nivelador de 2,4 m.	2,5
Incertidumbre de aceleración efectiva ponderada (K) / s <sup>210</sup>	2,0

### Declaración de ruido y vibración

Estos valores declarados se obtuvieron mediante pruebas de laboratorio, en conformidad con la directiva o las normas declaradas, y son adecuados para compararlos con los valores declarados de otros productos probados en conformidad con la misma directiva o normas. Estos valores declarados no son adecuados para su uso en evaluaciones de riesgos, y los valores medidos en lugares de trabajo individuales pueden ser superiores. Los valores de exposición reales y el riesgo de daños que experimente un usuario individual son únicos y dependen de la forma en que el usuario trabaja, del material en que se utiliza el producto, así como del tiempo de exposición y el estado físico del usuario, y del estado del producto.

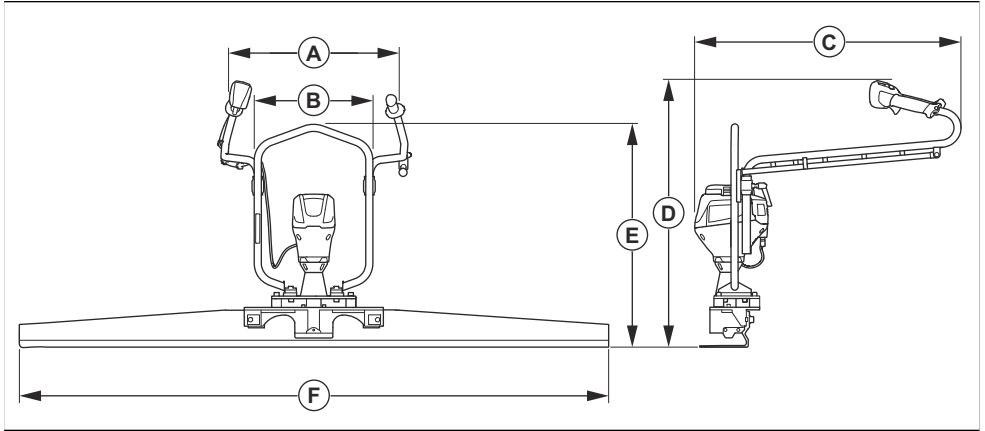
---

<sup>8</sup> Nivel de potencia acústica según EN ISO 3744.

<sup>9</sup> Nivel de presión sonora determinada según EN ISO 11203.

<sup>10</sup> Incertidumbre de aceleración efectiva ponderada medida en el mango según EN ISO 5349.

## Dimensiones del producto



<b>A</b>	Ancho máximo del mango, mm/in	700/27,5
<b>B</b>	Ancho sin mangos, mm/in	580/22,8
<b>C</b>	Longitud, mm/in	845/33,3
<b>D</b>	Altura con mangos incluidos, mm/in	800-1300/31,5-51,2
<b>E</b>	Altura sin mangos, mm/in	690/27,2
<b>F</b>	Ancho del rayo, 5 dimensiones diferentes, m/pie	1,8/6, 2,4/8, 3,0/10, 3,6/12, 4,2/14

## Accesorios

### Vigas

Longitud, m/pies	Peso, kg/lb
6,0/1,82	14,7/6,6
8,0/2,44	19,5/8,8
10,0/3,05	11,0/24,3
12,0/3,66	29,1/13,2
14,0/4,26	33,8/15,3

Consulte la lista de piezas de repuesto (IPL) para obtener los números de pieza de las vigas.

## Baterías aprobadas

BLi 200
BLi 300
40-B220X
40-B330X

## Cargadores de batería aprobados

QC330
QC500

---

## Table des matières

---

Introduction.....	39	Entretien.....	51
Sécurité.....	41	Dépannage.....	53
Assemblage du produit.....	46	Transport, entreposage et mise au rebut.....	54
Montage.....	48	Données techniques.....	56
Fonctionnement.....	48	Accessoires.....	57

---

## Introduction

---

### Description du produit

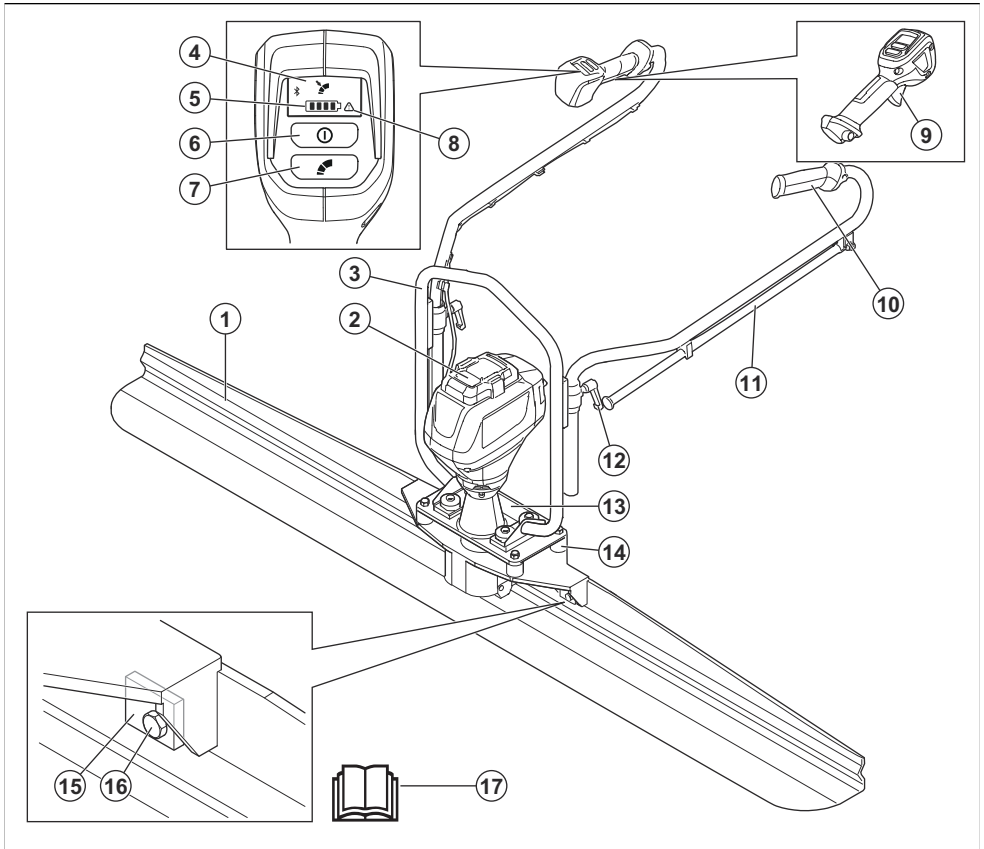
Le produit BV 30i est une règle à araser le béton à contrôle arrière et à vibration. Le produit est alimenté par une batterie.

Pour les couches de béton 100 mm d'une épaisseur maximale, aucune autre méthode de vibration n'est nécessaire avant d'utiliser le produit.

### Utilisation prévue

Le produit est réservé à un usage professionnel. Le produit est utilisé pour la consolidation et le nivellement du béton humide. Le produit flotte sur le béton humide.

## Présentation de l'appareil



1. Poutre
2. Batterie
3. Cadre
4. Écran
5. Indicateur d'état de la batterie
6. Bouton de marche/arrêt
7. Bouton du régulateur de vitesse automatique
8. Témoin d'avertissement
9. Gâchette
10. Poignée
11. Soutien
12. Leviers de verrouillage pour la poignée
13. Plaque signalétique
14. Unité antivibrations
15. Rondelle carrée
16. Vis M12
17. Manuel d'utilisation

## Symboles concernant le produit



**AVERTISSEMENT :** Ce produit peut être dangereux et causer des blessures très graves, ou même mortelles, à l'utilisateur et à d'autres personnes. Faire attention et utiliser le produit correctement.



Lire avec attention le manuel de l'opérateur et s'assurer de bien comprendre les instructions avant d'utiliser ce produit.



Utiliser un dispositif de protection pour les oreilles.





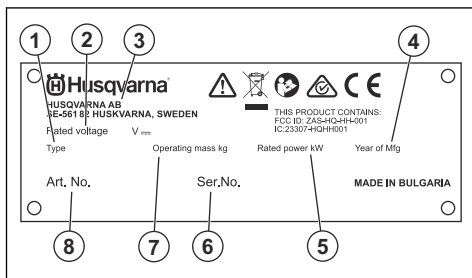
Porter des gants de protection.



Point de levage du produit.

**Remarque :** les autres symboles/autocollants présents sur le produit concernent des exigences de certification spécifiques à certains marchés.

## Plaque signalétique



1. Type de produit
2. Tension nominale

3. Fabricant
4. Mois et année de production
5. Puissance nominale
6. Numéro de série
7. Poids lors du fonctionnement
8. Numéro du produit

## Proposition 65 de la Californie

### **! ATTENTION!**

Ce produit contient ou émet un produit chimique qui, d'après l'État de Californie, peuvent causer le cancer, des malformations congénitales ou autre danger pour la reproduction.

## Produit endommagé

Nous ne sommes pas responsables des dommages causés à notre produit si :

- Le produit n'est pas réparé de façon adéquate.
- Le produit est réparé avec des pièces qui ne sont pas fournies ou homologuées par le fabricant.
- Le produit comprend un accessoire qui n'est pas fourni ou homologué par le fabricant.
- Le produit n'est pas réparé par un centre de service après-vente agréé ou par une autorité homologuée.

## Sécurité

### Définitions relatives à la sécurité

Les avertissements, recommandations et remarques soulignent des points du manuel qui revêtent une importance particulière.



**AVERTISSEMENT :** Indique la présence d'un risque de blessure ou de décès de l'utilisateur ou de personnes à proximité si les instructions du manuel ne sont pas suivies.



**MISE EN GARDE :** Indique la présence d'un risque de dommages au produit, à d'autres appareils ou à la zone adjacente si les instructions du manuel ne sont pas suivies.

**Remarque :** Utilisé pour donner des renseignements plus détaillés qui sont nécessaires dans une situation donnée.

### Consignes générales de sécurité relatives aux outils électriques



**AVERTISSEMENT :** Consulter l'ensemble des avertissements relatifs à la sécurité, des instructions, des illustrations et des spécifications transmis avec cet outil électrique. Le non-respect des instructions indiquées ci-dessous peut provoquer une décharge, un incendie ou des blessures graves.

- **Conserver ces instructions et consignes pour consultation ultérieure.** Dans les avertissements, le terme « outil électrique » fait référence à votre appareil électrique branché sur le secteur ou alimenté par batterie (sans fil).

### Sécurité de l'aire de travail

- **Maintenir l'aire de travail propre et bien éclairée.** Les endroits sombres ou encombrés sont propices aux accidents.
- **Ne pas utiliser des outils électriques dans des atmosphères explosives, notamment en présence de**

**liquides, gaz ou poussières inflammables.** Les outils électriques produisent des étincelles qui peuvent enflammer les poussières et les vapeurs.

- **Tenir les enfants et les spectateurs à distance lorsque l'outil électrique est en marche.** Un moment d'inattention pourrait vous en faire perdre le contrôle.

## Sécurité électrique

- **La fiche d'un outil électrique doit être adaptée à la prise. Ne jamais modifier la fiche. Ne jamais utiliser une fiche d'adaptation avec un outil électrique mis à la terre.** Les fiches non modifiées et les prises adaptées à la fiche permettent de réduire les risques d'électrocution.
- **Éviter d'entrer en contact avec les surfaces mises à la terre (tuyaux, radiateurs, cuisinières, réfrigérateurs, etc.).** Le risque d'électrocution est plus important si le corps de l'opérateur est mis à terre.
- **Ne pas exposer les outils électriques à la pluie ou à l'humidité.** L'infiltration d'eau dans un outil électrique augmente le risque d'électrocution.
- **Toujours manipuler le cordon avec soin. Ne jamais utiliser le cordon pour porter, tirer ou débrancher l'outil électrique. Tenir le cordon à l'écart de la chaleur, de l'huile, des bords tranchants et des pièces mobiles.** Les cordons endommagés ou emmêlés augmentent le risque d'électrocution.
- **Pour le travail à l'extérieur, utiliser une rallonge adaptée à l'usage extérieur.** L'utilisation d'une telle rallonge réduit le risque d'électrocution.
- **Si l'utilisation de l'outil électrique dans un endroit humide ne peut être évitée, utiliser une source d'alimentation protégée par disjoncteur de courant résiduel.** Les disjoncteurs de courant résiduel réduisent le risque d'électrocution.

## Sécurité personnelle

- **Lors de l'utilisation d'un outil électrique, toujours demeurer attentif et faire preuve de bon sens. Ne pas utiliser l'outil électrique si vous êtes fatigué ou sous l'emprise de drogues, de l'alcool ou de médicaments.** Tout moment d'inattention pendant l'utilisation d'un outil électrique peut causer de graves blessures.
- **Utiliser de l'équipement de protection individuelle. Toujours porter des lunettes de protection.** En utilisant l'équipement de protection (masque antipoussière, chaussures de sécurité antidérapantes, casque, dispositif de protection pour les oreilles, etc.) qui convient aux conditions, on réduit les risques de blessure.
- **Prévenir les démarrages accidentels. Vérifier que l'interrupteur se trouve à la position d'arrêt avant de brancher l'outil dans le bloc d'alimentation, de le saisir ou de le transporter.** Le transport des outils électriques en maintenant le doigt sur l'interrupteur d'alimentation et le branchement d'outils alors que

l'interrupteur est à la position de marche expose à des accidents.

- **Retirer toute clé ou clavette de réglage avant de mettre l'outil sous tension.** Une clé ou une clavette reliée à une pièce mobile de l'outil électrique peut causer une blessure.
- **Ne pas trop se pencher vers l'avant. Toujours se tenir bien campé et en équilibre.** Cela permet de mieux contrôler l'outil électrique lors d'un imprévu.
- **S'habiller de façon appropriée. Ne jamais porter des vêtements amples ou des bijoux. Garder les cheveux et les vêtements loin des pièces mobiles.** Les vêtements amples, bijoux et cheveux longs peuvent se prendre dans les pièces en mouvement.
- **Si des dispositifs sont fournis pour raccorder des systèmes de collecte et d'extraction de la poussière, s'assurer que ceux-ci sont utilisés et correctement branchés.** L'utilisation de dépoussiéreurs peut réduire les risques associés à la poussière.
- **Ne pas laisser la parfaite connaissance de l'outil acquise en raison de l'utilisation fréquente de ce dernier engendrer la complaisance et le non-respect des principes de sécurité relatifs à l'outil.** Une négligence peut provoquer de graves blessures en une fraction de seconde.

## Utilisation et entretien des outils électriques

- **Ne pas forcer sur l'outil électrique. Utiliser l'outil électrique qui convient au travail à effectuer.** De cette façon, le résultat sera meilleur et le travail sera effectué de façon plus sécuritaire et au régime pour lequel l'outil électrique a été conçu.
- **Ne pas utiliser l'outil électrique si l'interrupteur ne permet pas la mise sous tension et l'arrêt de l'outil.** Tout outil électrique dont l'interrupteur est défectueux représente un danger et doit être réparé.
- **Débrancher la fiche de la source d'alimentation ou retirer le bloc de batteries de l'outil électrique avant de procéder aux réglages, de changer les accessoires ou de ranger l'outil.** Ces mesures de sécurité réduisent le risque de mise sous tension accidentelle.
- **Ranger les outils électriques hors de la portée des enfants et ne pas laisser des personnes qui ne connaissent pas l'outil ou les présentes consignes utiliser celui-ci.** Les outils électriques représentent un danger lorsqu'ils sont entre les mains d'utilisateurs non formés.
- **Entretien des outils électriques et les accessoires. Vérifier l'outil à la recherche de pièces brisées, de mauvais alignement ou de blocage des pièces mobiles et de toute autre situation pouvant nuire au bon fonctionnement de l'outil. Si l'outil est endommagé, il faut le réparer avant de l'utiliser.** De nombreux accidents sont causés par des outils mal entretenus.
- **Maintenir les outils tranchants aiguisés et propres.** Les outils tranchants correctement entretenus dont

les bords de coupe sont bien affûtés sont moins susceptibles de se coincer et plus faciles à contrôler.

- **Utiliser l'outil électrique, les accessoires, les forets, etc., conformément aux présentes instructions et en tenant compte des conditions de travail et de la tâche à réaliser.** L'utilisation de l'outil électrique pour des opérations autres que celles pour lesquelles il est prévu peut entraîner des dangers.
- **Garder les poignées et les surfaces de préhension sèches, propres et exemptes d'huile et de graisse.** Les poignées et les surfaces de préhension glissantes ne permettent pas de manipuler l'outil de manière sécuritaire, ni d'en conserver le contrôle lorsqu'une situation inattendue se présente.

## Utilisation et entretien des outils électriques à batteries

- **Ne recharger qu'avec le chargeur indiqué par le fabricant.** Un chargeur convenant à un type de bloc de batteries particulier peut entraîner un risque d'incendie s'il est utilisé avec un autre bloc de batteries.
- **N'utiliser des outils électriques qu'avec les blocs de batteries spécifiquement indiqués.** L'utilisation d'autres groupes de batteries peut entraîner un risque de blessure et d'incendie.
- **Lorsqu'on n'utilise pas le bloc de batteries, le tenir à l'écart d'objets métalliques, tels que les trombones, pièces de monnaie, clés, clous, vis ou autres petits objets en métal, qui peuvent établir une connexion entre les bornes.** La mise en court-circuit des bornes de batteries peut provoquer des brûlures ou un incendie.
- **Une utilisation abusive peut laisser s'échapper du liquide de la batterie; éviter tout contact. En cas de contact accidentel, rincer abondamment à l'eau. Si du liquide entre en contact avec les yeux, consulter en outre un médecin immédiatement.** Le liquide échappé de la batterie peut provoquer des irritations ou des brûlures.
- **Ne pas utiliser un bloc de batteries ou un outil défectueux ou modifié.** Les batteries endommagées ou modifiées peuvent se comporter de manière inattendue et provoquer un incendie, une explosion ou des blessures potentielles.
- **Ne pas exposer un bloc de batteries ou l'outil au feu ou à une température excessive.** Une exposition au feu ou à une température supérieure à 130°C (266°F) peut provoquer une explosion.
- **Suivre toutes les instructions de charge et ne pas charger la batterie ou l'outil en dehors de la plage de températures spécifiée dans les instructions.** Charge incorrectement ou à des températures en dehors de la plage spécifiée peut endommager la batterie et augmenter les risques d'incendie.

## Réparations

- **Faire entretenir votre outil électrique par un technicien qualifié et utiliser uniquement des pièces**

### de rechange identiques aux pièces d'origine.

L'entretien adéquat de l'outil permet une utilisation plus sécuritaire.

- **Ne jamais tenter de réparer un bloc de batteries endommagé.** La réparation des blocs de batteries ne devrait être effectuée que par le fabricant ou les fournisseurs de service autorisés.

## Consignes de sécurité pour l'utilisation



**AVERTISSEMENT :** Lire les messages d'avertissement qui suivent avant d'utiliser l'appareil.

- S'assurer de savoir comment arrêter rapidement le produit en cas d'urgence.
- Ne pas laisser des enfants ou des personnes qui n'ont pas connaissance des instructions utiliser l'outil.
- S'assurer de connaître les commandes et le bon fonctionnement du produit.
- L'opérateur doit avoir la force physique nécessaire pour faire fonctionner le produit de façon sécuritaire.
- Utiliser de l'équipement de protection individuelle. Se reporter à *Équipement de protection personnelle à la page 45*.
- S'assurer que seules les personnes autorisées se trouvent dans la zone de travail.
- Maintenir la zone de travail propre et bien éclairée.
- S'assurer d'être dans une position stable et sécuritaire au cours du travail.
- S'assurer qu'il n'y a aucun risque que vous ou le produit tombiez d'une hauteur.
- S'assurer qu'il n'y a pas de graisse ou d'huile sur la poignée.
- Ne pas utiliser ce produit dans des zones où un incendie ou des explosions peuvent se produire.
- Le produit peut entraîner des objets pour éjecter à grande vitesse. S'assurer que toutes les personnes se trouvant dans la zone de travail utilisent un équipement de protection individuel approuvé. Retirer les matériaux inflammables de la zone de travail.
- Avant de s'éloigner du produit, arrêter le produit et débrancher la batterie.
- Vérifier que la tension de la batterie correspond à la tension indiquée sur la plaque signalétique du produit.
- S'assurer que les vêtements, les cheveux longs et les bijoux ne peuvent pas se coincer dans les pièces en mouvement.
- Ne pas s'asseoir sur le produit.
- Ne pas frapper le produit.
- Avant d'utiliser le produit, s'assurer que la zone de travail est sécuritaire.

## Sécurité en matière de vibrations



**AVERTISSEMENT** : Lire les messages d'avertissement qui suivent avant d'utiliser l'appareil.

- Pendant le fonctionnement du produit, des vibrations sont transmises du produit à l'utilisateur. L'utilisation régulière et fréquente du produit peut provoquer ou augmenter les risques de blessures pour l'utilisateur. Des blessures peuvent se produire au niveau des doigts, des mains, des poignets, des bras, des épaules ou des nerfs, ou d'autres parties du corps ou affecter l'apport sanguin. Les blessures peuvent être invalidantes et/ou permanentes et peuvent augmenter progressivement au fil des semaines, des mois ou des années. Les blessures possibles incluent des dommages au système de circulation sanguine, au système nerveux, aux articulations et à d'autres structures corporelles.
- Des symptômes peuvent apparaître pendant l'utilisation du produit ou à d'autres moments. Si l'utilisateur présente des symptômes et continue à utiliser le produit, les symptômes peuvent augmenter ou devenir permanents. Si ces symptômes ou d'autres symptômes apparaissent, consulter un médecin :
  - Engourdissement, perte de sensation, fourmillement, picotement, douleur, brûlure, boursoufflement, raideur, sensation de lourdeur, perte de force, changements de couleur ou d'état de la peau.
- Les symptômes peuvent augmenter par temps froid. Porter des vêtements chauds et garder les mains au chaud et au sec lors de l'utilisation de l'outil dans des environnements froids.
- Procéder à l'entretien et à l'utilisation du produit comme indiqué dans le manuel d'utilisation pour maintenir les vibrations à un niveau acceptable.
- Le produit est doté d'un système d'amortissement des vibrations qui réduit les vibrations transmises à l'opérateur par les poignées. Laisser le produit faire le travail. Ne pas pousser le produit avec force. Tenir légèrement le produit par les poignées, mais s'assurer de le contrôler et de l'utiliser en toute sécurité. Ne pas pousser les poignées dans les butées plus que nécessaire.
- Garder les mains sur la ou les poignées uniquement. Garder toutes les autres parties du corps à l'écart du produit.
- Arrêter immédiatement le produit en cas de fortes vibrations soudaines. Ne pas poursuivre le sciage avant d'avoir éliminé la cause des vibrations accrues.

## Protection contre la poussière



**AVERTISSEMENT** : Lire les messages d'avertissement qui suivent avant d'utiliser l'outil.

- L'utilisation du produit peut provoquer de la poussière dans l'air. La poussière peut provoquer des blessures graves et des problèmes de santé permanents. La poussière de silice est considérée comme une matière nocive par plusieurs autorités. Voici quelques exemples de problèmes de santé :
  - Maladies pulmonaires mortelles bronchite chronique, silicose et fibrose pulmonaire
  - Cancer
  - Malformations congénitales
  - Inflammation de la peau
- Utiliser un équipement adapté pour réduire la quantité de poussière et de fumées dans l'air et pour réduire la poussière sur les équipements de travail, les surfaces, les vêtements et les parties du corps. Exemples de contrôles : systèmes de collecte de poussière et jets d'eau pour lier la poussière. Dans la mesure du possible, réduire la quantité de poussière à la source. S'assurer que l'équipement est correctement installé et utilisé et que l'entretien régulier est effectué.
- Utiliser un dispositif de protection respiratoire homologué. S'assurer que la protection respiratoire convient aux matériaux dangereux dans la zone de travail.
- S'assurer que la circulation d'air est suffisante dans la zone de travail.
- Si possible, orienter l'échappement du produit vers un endroit où il ne risque pas de souffler de la poussière dans l'air.

## Sécurité relative au bruit



**AVERTISSEMENT** : Lire les messages d'avertissement qui suivent avant d'utiliser l'outil.

- Des niveaux sonores élevés et une exposition prolongée au bruit peuvent entraîner une perte auditive due au bruit.
- Pour réduire au maximum le niveau sonore, procéder à l'entretien du produit et l'utiliser comme indiqué dans le manuel d'utilisation.
- Toujours porter un dispositif de protection pour les oreilles homologué lors de l'utilisation du produit.
- Rester attentif aux appels ou cris d'avertissement lors de l'utilisation d'un dispositif de protection pour les oreilles. Retirer le dispositif de protection pour les oreilles lorsque le produit est arrêté, sauf si une protection auditive est nécessaire en raison du niveau sonore dans la zone de travail.

## Équipement de protection personnelle



**AVERTISSEMENT** : Lire les messages d'avertissement qui suivent avant d'utiliser l'appareil.

- Toujours utiliser un équipement de protection personnelle homologué lors de l'utilisation de l'outil. Cet équipement de protection personnelle n'élimine pas complètement les risques de blessures, mais il peut en réduire la gravité en cas d'accident. Le revendeur aidera l'utilisateur à sélectionner l'équipement adéquat.
- Vérifier régulièrement l'état de l'équipement de protection personnelle.
- Porter un casque de protection approuvé.
- Porter un dispositif de protection homologué pour les oreilles.
- Utiliser un dispositif de protection respiratoire homologué.
- Porter un dispositif de protection pour les yeux homologué avec écrans latéraux.
- Porter des gants de protection.
- Utiliser des bottes à embout en acier et semelles antidérapantes.
- Porter des vêtements de travail homologués ou des vêtements ajustés équivalents avec des manches longues et des pantalons.

### Extincteur

- Garder un extincteur à proximité pendant le sciage.
- Utiliser un extincteur à poudre de classe « ABE » ou un extincteur au dioxyde de carbone de type « BE ».

### Dispositifs de sécurité sur l'outil

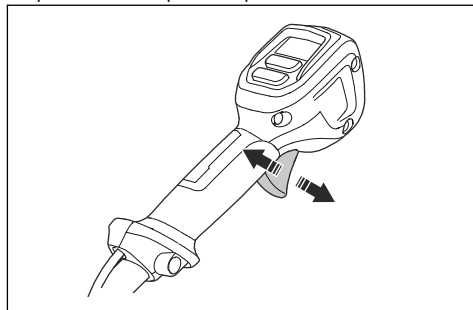


**AVERTISSEMENT** : Lire les messages d'avertissement qui suivent avant d'utiliser l'appareil.

- Ne pas utiliser le produit si les dispositifs de sécurité sont endommagés ou s'ils ne fonctionnent pas correctement.
- Vérifier régulièrement les dispositifs de sécurité. Si les dispositifs de sécurité sont endommagés ou ne fonctionnent pas correctement, communiquez avec votre atelier spécialisé Husqvarna.
- Ne pas modifier les dispositifs de sécurité.

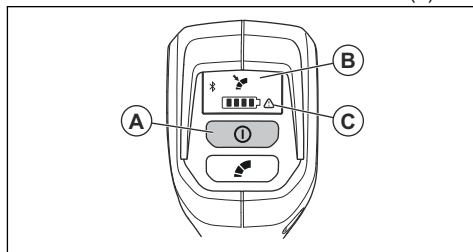
### Pour vérifier le commutateur d'activation

- Appuyer brièvement sur le commutateur d'activation pour s'assurer qu'il se déplace librement.



### Vérification de l'interface utilisateur

1. Maintenir enfoncé le bouton de marche/arrêt (A).



- a) Quand le produit est sous tension, le témoin à DEL (B) s'allume.
  - b) Quand le produit est hors tension, le témoin à DEL (B) s'éteint.
2. Se reporter à la section *Dépannage à la page 53* si l'indicateur d'avertissement (C) s'allume ou clignote.

### Unité antivibrations

Les unités antivibrations réduisent les vibrations dans le produit. Les unités antivibrations réduisent les vibrations nuisibles pour prévenir les blessures à l'opérateur et les dommages au produit.

### Pour vérifier les unités antivibrations

1. S'assurer que les unités antivibrations ne présentent aucune fissure ou déformation.
2. S'assurer que les unités antivibrations sont correctement fixées à l'unité à moteur et à l'ensemble poignée.

### Sécurité en matière de batteries



**AVERTISSEMENT** : Lire les messages d'avertissement qui suivent avant d'utiliser l'appareil.

- Utiliser uniquement les batteries Husqvarna BLi recommandées pour votre produit. Les batteries sont cryptées au moyen d'un logiciel.
- Utiliser les batteries Husqvarna BLi qui sont rechargeables en tant que source d'alimentation pour les produits Husqvarna connexes seulement. Pour éviter les blessures, ne pas utiliser la batterie en tant que source d'alimentation pour d'autres appareils.
- Risque de décharge électrique. Ne pas raccorder les bornes de la batterie à des clés, des vis ou tout autre élément métallique. Cela peut provoquer un court-circuit de la batterie.
- Ne pas placer d'objet dans les fentes de ventilation de la batterie.
- Maintenir la batterie à l'écart de la lumière du soleil, de la chaleur et des flammes nues. La batterie peut provoquer une explosion et causer des brûlures ou des brûlures chimiques.
- Garder la batterie à l'écart de la pluie et de l'humidité.
- Garder la batterie à l'écart des micro-ondes et des pressions élevées.
- Ne pas essayer de démonter ou de briser la batterie.
- Ne pas laisser l'acide de batterie toucher votre peau. L'acide de batterie provoque des blessures cutanées, de la corrosion et de brûlures. Si l'acide de batterie entre en contact avec les yeux, ne pas les frotter; mais les rincer avec de l'eau pendant au moins 15 minutes. Si l'acide de batterie entre en contact avec la peau, la nettoyer avec une grande quantité d'eau et de savon. Consulter un médecin.
- Utiliser la batterie à une température comprise entre -10 °C (14 °F) et 40 °C (104 °F).
- Ne pas nettoyer la batterie ou le chargeur de batterie avec de l'eau. Se reporter à *Nettoyage du produit à la page 52*.
- Ne pas utiliser une batterie défectueuse ou endommagée.
- Garder les piles dans le local de rangement, à l'écart des objets métalliques tels que les clous, les vis ou les bijoux.
- Maintenir la batterie à l'écart des enfants.

## Sécurité du chargeur de batteries



**AVERTISSEMENT** : Lire les messages d'avertissement qui suivent avant d'utiliser l'appareil.

- Risque de décharge électrique et de court-circuit si les consignes de sécurité ne sont pas suivies.
- Ne pas utiliser d'autres chargeurs de batterie que ceux fournis pour votre produit. Utiliser uniquement

des chargeurs Husqvarna lors du chargement des batteries de rechange Husqvarna BLi.

- Ne pas essayer de démonter le chargeur de batterie.
- Ne pas utiliser un chargeur de batterie défectueux ou endommagé.
- Utiliser le chargeur de batterie dans une température comprise entre 5 °C (41 °F) et 40 °C (104 °F).
- Ne pas soulever le chargeur de batterie au moyen du cordon d'alimentation. Pour débrancher le chargeur de batteries de la prise murale, tirer la fiche. Ne pas tirer le cordon d'alimentation.
- Tenir les câbles et les rallonges à l'abri de l'eau, de l'huile et des arêtes coupantes. S'assurer que le câble n'est pas coincé entre les portes, les barrières ou quoique ce soit de semblable.
- Ne pas utiliser le chargeur de batterie à proximité de matériaux inflammables ou de matériaux qui peuvent engendrer une corrosion. S'assurer que le chargeur de batterie n'est pas couvert. Débrancher la prise du chargeur de batterie en cas de fumée ou d'incendie.

## Consignes de sécurité pour la maintenance



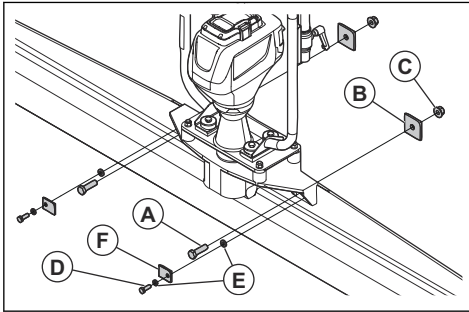
**AVERTISSEMENT** : Lire les messages d'avertissement qui suivent avant de procéder à l'entretien du produit.

- Retirer la batterie avant d'effectuer l'entretien, de procéder à d'autres contrôles ou d'assembler le produit.
- L'opérateur ne doit effectuer que les travaux de réparation et d'entretien décrits dans ce manuel d'utilisation. Se rendre dans le centre de service agréé pour les travaux de réparation ou d'entretien plus importants.
- Ne pas nettoyer la batterie ou le chargeur de batterie avec de l'eau. Les détergents puissants peuvent endommager le plastique.
- En absence d'entretien, cela réduit la durée de vie du produit et augmente le risque d'accidents.
- Une formation spécifique est nécessaire pour tous les travaux d'entretien et de réparation, en particulier pour les dispositifs de sécurité sur le produit. Si toutes les vérifications indiquées dans ce manuel d'utilisation ne sont pas homologuées une fois l'entretien effectué, se rendre dans le centre de service La disponibilité des réparations et des entretiens effectués de façon professionnelle est garantie pour votre produit.
- Utiliser des pièces de rechange d'origine.

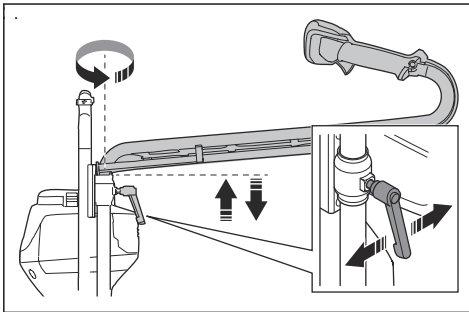
## Assemblage du produit

1. Installer une poutre de la bonne largeur pour le fonctionnement.

- a) Fixer les boulons M12 (A) avec les rondelles carrées (B) et les écrous (C). Les boulons M12, les écrous et les rondelles carrées sont fournis avec le produit.



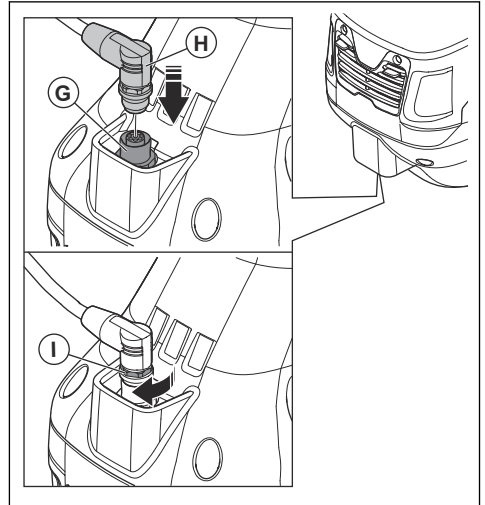
- b) Fixer les boulons (D) et les rondelles (E et F) au produit. Les boulons et les rondelles sont fournis avec le produit.
- c) Serrer les boulons au couple de 80 Nm. Serrer les boulons de nouveau après les 30 premières minutes de fonctionnement.



3. Serrer les leviers de verrouillage lorsque la bonne position de fonctionnement est réglée.
4. Lorsque la position de la poignée est réglée, tirer les leviers de verrouillage vers l'extérieur. Cela verrouille les leviers de verrouillage pour s'assurer que la position de la poignée ne peut pas changer pendant le fonctionnement.
5. Installer le câble d'interface utilisateur.

- a) Retirer le couvercle de protection du connecteur (G) du produit.

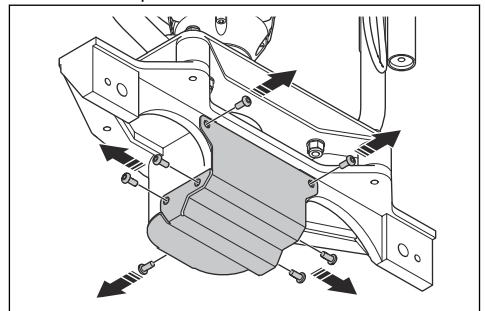
- b) Retirer le couvercle de protection du câble d'interface utilisateur (H) et brancher le câble d'interface utilisateur. S'assurer que le connecteur du câble d'interface utilisateur est à la bonne position.



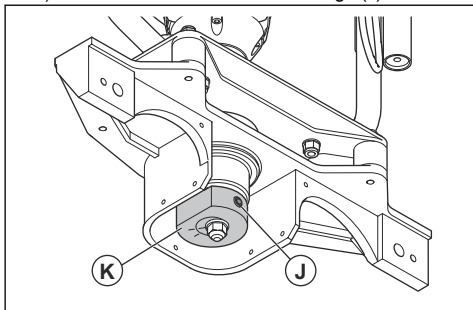
- c) Serrer complètement le contre-écrou (I).

6. Régler le poids excentrique à la longueur de la poutre et à l'affaissement du béton.

- a) Retirer les 7 vis et le couvercle de l'élément excentrique.



b) Desserrer le boulon de verrouillage (J).



c) Tourner l'élément excentrique (K) pour régler le poids. Le tableau ci-dessous montre à quel point l'élément excentrique doit être tourné avec différentes poutres et différents types d'affaissement de béton. Il y a quatre marques sur l'élément excentrique : 62 %, 75 %, 87 % et 100 %.

Longueur de la poutre, m/pi	Affaissement du béton				
	S1 <sup>11</sup>	S2	S3	S4	S5 <sup>12</sup>

Longueur de la poutre, m/pi	Affaissement du béton				
	N/A	100 %	75%	62%	62%
1,82/6,0	N/A	100 %	75%	62%	62%
2,44/8,0	N/A	100 %	87%	75%	62%
3,05/10,0	N/A	100 %	87%	75%	62%
3,66/12,0	N/A	100 %	100 %	87%	75%
4,26/14,0	N/A	100 %	100 %	87%	75%

- d) Serrer le boulon de verrouillage.  
 e) Installer le couvercle pour l'élément excentrique et les 4 vis.

## Montage

## Fonctionnement

### Introduction



**AVERTISSEMENT :** Lire et comprendre le chapitre sur la sécurité avant d'utiliser le produit.

### Avant d'utiliser le produit

- Lire attentivement le manuel d'utilisation et veiller à bien comprendre les directives.
- Vérifier que la batterie est chargée.
- Brancher la batterie au produit.
- Effectuer l'entretien quotidien. Se reporter à *Calendrier d'entretien à la page 51*.

### Fréquence des vibrations et vitesse de fonctionnement

Il est nécessaire de régler la fréquence des vibrations en fonction de l'état du béton. Pour le béton qui contient une faible quantité d'eau, une fréquence de vibration

plus élevée est nécessaire. Pour le béton qui contient une grande quantité d'eau, une fréquence de vibration plus faible est nécessaire. Les différences de vitesse de mouvement et de fréquence des vibrations donnent des résultats différents.

Diminuer la vitesse si la poutre tremble trop ou s'il y a trop de boue sur la surface. Augmenter la vitesse si la poutre ne produit pas assez de boue sur la surface.

### Branchement de la batterie



**AVERTISSEMENT :** Utiliser uniquement des batteries d'origine Husqvarna avec ce produit.

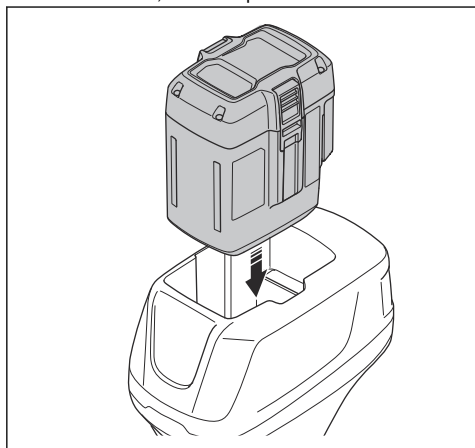
1. Vérifier que la batterie est chargée à bloc.

<sup>11</sup> Le plus faible contenu d'eau dans l'affaissement du béton.

<sup>12</sup> Le contenu d'eau le plus élevé dans l'affaissement du béton.



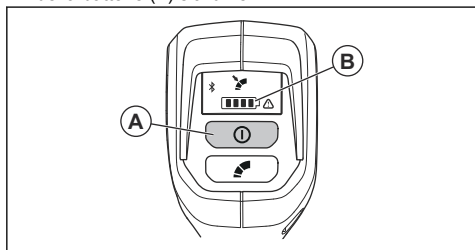
- Placer la batterie dans le porte-batterie de l'appareil. La batterie doit se déplacer facilement dans le porte-batterie. Sinon, elle n'est pas installée correctement.



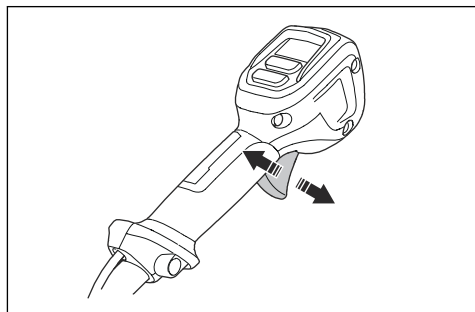
- Pousser la batterie complètement dans le porte-batterie. Quand la batterie se bloque en position, un dé clic se fait entendre.
- Vérifier que les verrous sont correctement enclenchés.

## Mise sous tension de l'appareil

- Brancher la batterie au produit.
- Appuyer sur le bouton de marche/arrêt (A) et le maintenir enfoncé jusqu'à ce que l'indicateur d'état de la batterie (B) s'allume.

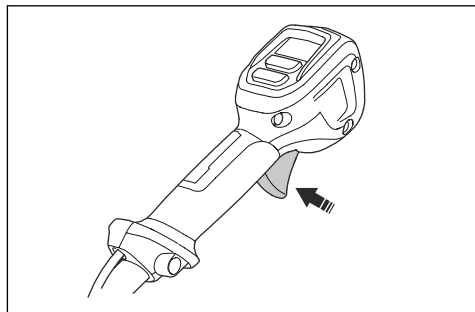


- Utiliser le commutateur d'activation pour commander la vitesse.



## Utilisation du produit

- Vaporiser la poutre d'huile de démoulage du béton ou d'agent de décoffrage du béton. Il est ainsi plus facile de nettoyer le produit après son utilisation, car le béton ne se fixe pas à la poutre.
- Placer la poutre au début de la première section de la surface de béton.
- Démarrer le produit. Se reporter à *Mise sous tension de l'appareil à la page 49*.
- Tenir fermement les poignées.
- Appuyer sur la gâchette de puissance afin de démarrer l'utilisation. Utiliser la gâchette pour régler la force de vibration.



**MISE EN GARDE :** Si une force de vibration trop élevée est utilisée, de la boue peut s'accumuler à la surface. Si une force de vibration trop faible est utilisée, il est possible que les bulles d'air ne soient pas toutes retirées du béton.

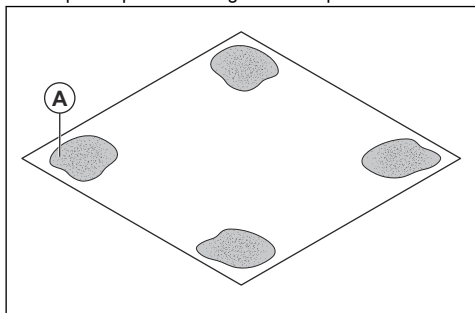


**AVERTISSEMENT :** N'utilisez pas le produit s'il ne fonctionne pas correctement. Des signes de défaillance matérielle ou logicielle liée à l'unité de commande du moteur peuvent entraîner

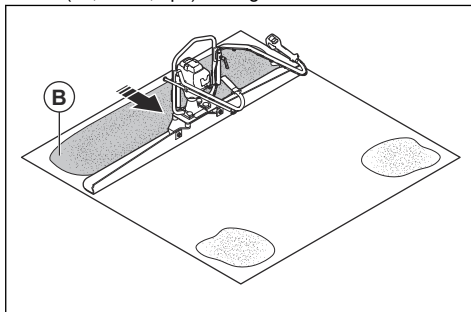
des chocs électriques, un incendie ou des blessures graves.

**Remarque :** Le produit s'arrête automatiquement si vous ne le faites pas fonctionner pendant 5 minutes.

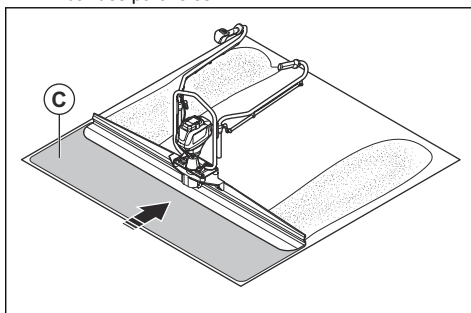
6. Appuyer sur le bouton du régulateur de vitesse pour régler la fréquence des vibrations sélectionnée. Se reporter à *Pour actionner la fonction de régulateur de vitesse automatique à la page 50.*
7. Marcher lentement à reculons et, en même temps, soulever le produit jusqu'à ce que le bord arrière de la poutre soit légèrement soulevé. Les vibrations éliminent les traces de vos chaussures sur la surface en béton.
8. Placer 30 à 35 cm (11,8 à 13,8 po) de la poutre sur la surface en béton lisse pour faire un chevauchement sur la prochaine section de la surface en béton.
9. Pour créer des zones de béton de niveau, effectuer la procédure suivante.
  - a) Dans les 4 coins, faire un diamètre de 30 à 45 cm (11,8 à 17,7 po) de béton humide (A) avec une spatule à main. Utiliser un laser pour s'assurer que les zones de béton humide sont au bon niveau. La distance entre les bords extérieurs des zones de béton humide ne doit pas dépasser la longueur de la poutre.



- b) Faire fonctionner le produit entre les zones de béton humide pour créer 2 bandes parallèles (B). Les bandes doivent être de 30 à 45 cm (11,8 à 17,7 po) de largeur.

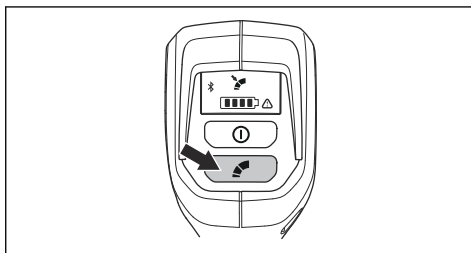


- c) Placer l'extrémité de la poutre sur chacune des bandes parallèles et faire fonctionner le produit (C). S'assurer que la poutre suit le contour des bandes parallèles.



### Pour actionner la fonction de régulateur de vitesse automatique

1. Appuyer sur le commutateur d'activation pour choisir la fréquence optimale des vibrations pour le travail à effectuer.
2. Appuyer sur le bouton du régulateur de vitesse pour régler la fréquence des vibrations sélectionnée. Le témoin à DEL s'allume.



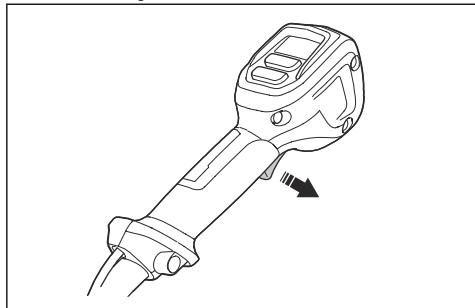
3. Relâcher la gâchette pour faire fonctionner le produit avec la fonction de régulateur de vitesse.
4. Pour augmenter la fréquence des vibrations, procéder comme suit.

- a) Appuyer sur le bouton du régulateur de vitesse pour arrêter la fonction de régulateur de vitesse.
- b) Appuyer sur la gâchette jusqu'au niveau exact. Appuyer ensuite sur le bouton du régulateur de vitesse pour régler la nouvelle vitesse du régulateur de vitesse.

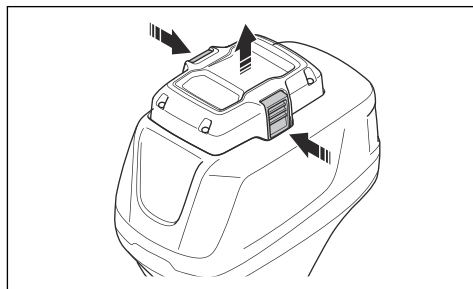
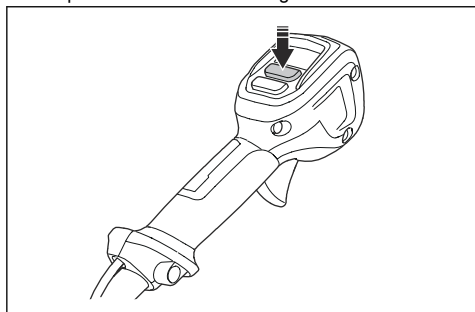
- 3. Appuyer sur les boutons de déverrouillage de la batterie et retirer la batterie.

## Mise hors tension de l'appareil

- 1. Relâcher la gâchette.



- 2. Maintenir le bouton de marche/arrêt enfoncé jusqu'à ce que le témoin à DEL s'éteigne.




---

## Entretien

---

### Introduction



**AVERTISSEMENT :** Lire et comprendre le chapitre sur la sécurité avant de faire l'entretien du produit.

### Calendrier d'entretien

Entretien	Quotidien	Hebdomadaire	Mensuel
Nettoyer le produit.	X		
S'assurer que le bouton de marche/arrêt fonctionne de façon adéquate et n'est pas endommagé.	X		

Entretien	Quotidien	Hebdomadaire	Mensuel
Vérifier que la gâchette fonctionne correctement et de façon sécuritaire. Se reporter à la section <i>Pour vérifier le commutateur d'activation à la page 45</i>	X		
S'assurer qu'il n'y a pas d'huile ni de graisse sur les poignées et qu'elles sont sèches et propres.	X		
Vérifier que les vis et les écrous sont bien serrés.	X		
Vérifier que les boutons de déverrouillage de la batterie fonctionnent correctement et gardent la batterie bien fixée à l'appareil.	X		
S'assurer que le chargeur de batterie fonctionne correctement et n'est pas endommagé.	X		
Vérifier que la batterie n'est pas endommagée.	X		
Vérifier que la batterie est chargée.	X		
Vérifier tous les câbles, raccords et connexions. S'assurer qu'ils ne sont ni endommagés ni sales.		X	
Vérifier les points de connexion entre la batterie et l'appareil. Examiner également le point de connexion entre la batterie et le chargeur.			X
Vérifier que les unités antivibrations ne sont pas endommagées. Se reporter à <i>Pour vérifier les unités antivibrations à la page 45.</i>			X

## Nettoyage du produit

- Retirer le béton des surfaces du produit après chaque utilisation avant que le béton ne durcisse.
- Utiliser de l'eau et une brosse pour nettoyer le produit.



**MISE EN GARDE :** Ne pas diriger l'eau directement sur les composants électriques, la batterie ou le moteur.

- Vaporiser la poutre d'huile de démoulage du béton ou d'agent de décoffrage du béton. Il est ainsi plus facile de nettoyer le produit après la prochaine utilisation.

- Retirer la graisse et l'huile de la poignée.
- Nettoyer le moteur, la batterie et le chargeur de batterie à l'aide d'un chiffon sec. Garder les chemins de guidage de la batterie propres.
- S'assurer que les bornes de la batterie et le chargeur de batterie sont propres. Faites toujours cela avant de mettre la batterie dans le chargeur de batterie ou dans le produit.

## Dépannage

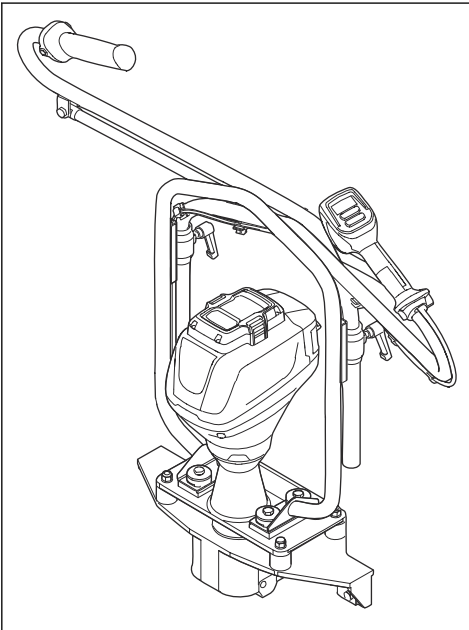
Symptôme	Causes possibles	Étape recommandée
Le produit ne démarre pas Aucune DEL ne s'allume lorsque le bouton de marche/arrêt est enfoncé.	Les connecteurs de batterie sont encrassés.	Nettoyer à l'aide d'air comprimé ou d'une brosse douce.
	La batterie est défectueuse.	Appuyer sur le bouton sur la batterie. 1 DEL verte au moins doit s'allumer.
	Connecteur d'alimentation défectueux entre la batterie et le produit.	S'assurer que les connecteurs d'alimentation entre la batterie et le produit sont en bon état.
	Connexion défectueuse au connecteur de l'interface utilisateur.	S'assurer que le connecteur de l'interface utilisateur est correctement assemblé.
	L'interface utilisateur est défectueuse.	Communiquer avec un agent d'entretien Husqvarna.
	Les câbles entre l'unité de commande et l'interface utilisateur sont endommagés.	Communiquer avec un agent d'entretien Husqvarna.
	Court-circuit dans l'unité de commande.	Communiquer avec un agent d'entretien Husqvarna.
La DEL verte clignote	Tension de batterie faible.	Charger la batterie.
La DEL rouge d'anomalie clignote	La température est trop élevée.	Attendre que le produit refroidisse.
	La température de l'unité de commande ou de la batterie est trop basse.	S'assurer que la température du produit et de la batterie est supérieure à -10 °C.
	Le commutateur d'activation et le bouton de marche/arrêt sont utilisés en même temps.	Relâcher la gâchette.
La DEL rouge d'anomalie s'allume.	Les codes d'erreur permanents empêchent le démarrage du produit.	Communiquer avec un agent d'entretien Husqvarna.
	L'unité de commande est défectueuse.	Communiquer avec un agent d'entretien Husqvarna.
	Il est nécessaire de procéder à l'entretien du produit.	Communiquer avec un agent d'entretien Husqvarna.
Aucune réaction du moteur lorsque la gâchette est enfoncée.	Les connecteurs du moteur ne sont pas assemblés correctement.	Communiquer avec un agent d'entretien Husqvarna.
	Court-circuit dans l'unité de commande.	Communiquer avec un agent d'entretien Husqvarna.
	Le moteur est brisé.	Communiquer avec un agent d'entretien Husqvarna.
Une réaction soudaine du moteur lorsque la gâchette est enfoncée, puis le moteur s'arrête.	Court-circuit dans l'unité de commande.	Communiquer avec un agent d'entretien Husqvarna.
Le produit s'arrête lors de l'application d'une charge de travail.	Mauvaise connexion entre la batterie et le produit.	S'assurer que les connecteurs d'alimentation entre la batterie et le produit sont propres et en bon état.

Symptôme	Causes possibles	Étape recommandée
Le produit démarre, mais il n'y a pas de vibration.	L'unité antivibrations de l'arbre de vibrations est endommagée.	Communiquer avec un agent d'entretien Husqvarna.
Les vibrations du produit ne sont pas correctes.	L'élément excentrique est mal réglé.	Régler l'élément excentrique. Se reporter à <i>Assemblage du produit à la page 46</i> .
Le niveau sonore est trop élevé.	Les roulements de vibration sont endommagés.	Communiquer avec un agent d'entretien Husqvarna.
	Les boutons de la poignée ne sont pas suffisamment serrés.	Serrer les boutons de la poignée.
Les vibrations ne sont pas égales sur la surface en béton.	La fréquence des vibrations n'est pas correcte pour cette surface en béton.	Régler la vitesse des vibrations pour que les vibrations soient égales sur la surface en béton. Se reporter à <i>Fréquence des vibrations et vitesse de fonctionnement à la page 48</i> .
	Procédure de vibrations incorrecte.	Utiliser le produit correctement. Se reporter à <i>Utilisation du produit à la page 49</i> .
La vibration dans la poignée est trop élevée.	Les unités antivibrations sont usées.	Communiquer avec un agent d'entretien Husqvarna.

## Transport, entreposage et mise au rebut

### Transport et entreposage

- Garder les poignées pliées pendant le transport.



- Débrancher le câble de l'interface utilisateur.

- Fixer le produit de façon sécuritaire pendant le transport.
- Déposer la batterie pour le remisage ou le transport.
- Les batteries au lithium-ion fournies respectent les exigences de la loi sur les produits dangereux.
- Respecter l'exigence spéciale relative à l'emballage et aux étiquettes pour le transport commercial, y compris par des tiers et des transitaires.
- Communiquer avec une personne ayant une formation spéciale en matière de composés dangereux avant d'envoyer le produit. Respecter tous les règlements nationaux applicables.
- Charger la batterie entre 30 % et 50 % avant de la remettre pour une longue période.
- Nettoyer le produit et effectuer un entretien complet avant de l'entreposer dans le local de rangement pendant une longue période.
- Utiliser du ruban adhésif sur des connexions ouvertes lors de l'emballage de la batterie. Placer la batterie dans un emballage hermétique pour éviter tout mouvement.
- Ne pas maintenir la batterie dans une zone où l'électricité statique peut se développer. Ne pas entreposer la batterie dans une boîte métallique.
- Garder la batterie dans un endroit où la température est comprise entre 5 °C (41 °F) et 25 °C (77 °F) et à l'écart des rayons directs du soleil.
- Garder le chargeur de batterie dans un endroit où la température est comprise entre 5 °C (41 °F) et 45 °C (113 °F) et à l'écart des rayons directs du soleil.

- Tenir la batterie à l'écart du chargeur de batterie pendant la période d'entreposage.
- Conserver la batterie et le chargeur de batterie dans un endroit verrouillé, sec et à l'abri du gel.
- Remiser le produit dans un endroit sec et à l'abri du gel.
- Garder le produit dans un endroit verrouillé hors de portée des enfants et des personnes non autorisées.

## Mise au rebut de la batterie, du chargeur de batterie et du produit

Le symbole ci-dessous signifie que le produit n'est pas un déchet domestique. Recycler dans un centre de recyclage pour équipements électriques et électroniques. De cette façon, vous ne nuirez pas à l'environnement.

Consultez les autorités locales, le service des ordures ménagères ou votre revendeur pour plus d'informations.



---

**Remarque :** Le symbole apparaît sur le produit ou l'emballage du produit.

---

---

## Données techniques

---

### Caractéristiques techniques

Poids sans batterie, kg/lb	11,5/25
Marque et type du moteur	Husqvarna / 36V
Puissance du moteur, kW/hp à tr/min	0,8/1,1 à 7 500

Données sur le bruit et les vibrations	
Niveau de puissance sonore, mesuré en dB (A) <sup>13</sup>	109
Niveau de pression sonore au niveau de l'oreille de l'opérateur, L <sub>p</sub> , dB (A) <sup>14</sup>	108
Niveau de vibration, vibrations main-bras, m/s à 7 500 tr/min, force excentrique de 100 % avec règle à araser de 2,4 m	2,5
Incertitude de l'accélération effective pondérée (K) m/s <sup>2</sup> <sup>15</sup>	2,0

### Déclaration relative au bruit et aux vibrations

Ces valeurs déclarées ont été obtenues par essai en laboratoire conformément à la directive ou aux normes indiquées et peuvent être comparées aux valeurs déclarées d'autres produits testés conformément à la même directive ou aux mêmes normes. Ces valeurs déclarées ne conviennent pas aux évaluations des risques et les valeurs mesurées sur des lieux de travail individuels peuvent être plus élevées. Les valeurs d'exposition réelles et le risque d'atteinte encouru par un utilisateur individuel sont uniques et dépendent de la façon dont l'utilisateur travaille, du matériau dans lequel le produit est utilisé, du temps d'exposition et de la condition physique de l'utilisateur, ainsi que de l'état du produit.

---

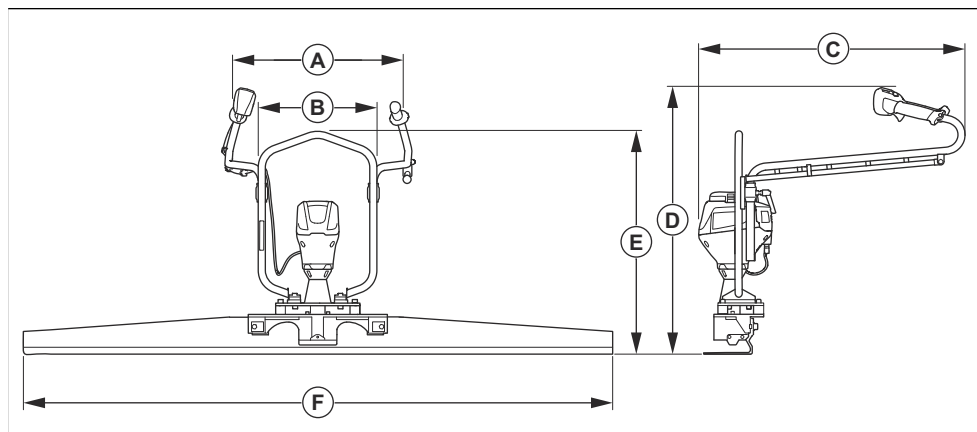
<sup>13</sup> Niveau de pression sonore déterminé selon la norme EN ISO 3744

<sup>14</sup> Niveau de pression sonore déterminé selon la norme EN ISO 11203.

<sup>15</sup> Accélération effective pondérée mesurée au niveau de la poignée selon la norme EN ISO 5349.



## Dimensions de l'outil



<b>A</b>	Largeur max. de la poignée, mm/po	700/27,5
<b>B</b>	Largeur sans poignées, mm/po	580/22,8
<b>C</b>	Longueur, mm/po.	845/33,3
<b>D</b>	Hauteur, avec les poignées, mm/po	800 – 1300 / 31,5 – 51,2
<b>E</b>	Hauteur sans poignées, mm/po	690/27,2
<b>F</b>	Largeur de la poutre, 5 dimensions différentes, m/pi	1,8/6, 2,4/8, 3,0/10, 3,6/12, 4,2/14

## Accessoires

### Poutres

Longueur, m/pi	Poids, kg/lb
1,82/6,0	6,6/14,7
2,44/8,0	8,8/19,5
3,05/10,0	11,0/24,3
3,66/12,0	13,2/29,1
4,26/14,0	15,3/33,8

Se reporter à la liste des pièces de rechange pour connaître les numéros de pièces des poutres.

## Batteries approuvées

BLi 200
BLi 300
40-B220X
40-B330X

## Chargeurs de batteries approuvés

QC330
QC500





[www.husqvarnaconstruction.com](http://www.husqvarnaconstruction.com)

Original instructions  
Instrucciones originales  
Instructions d'origine

1142370-49 Rev. B



2024-04-15