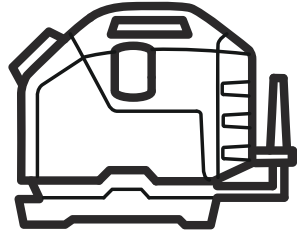




Husqvarna®



WT 15i

EN	Operator's manual
ES-MX	Manual del usuario
FR-CA	Manuel d'utilisation

2-10
11-20
21-30

Contents

Introduction.....	2	Transportation, storage and disposal.....	7
Safety.....	4	Technical data.....	8
Operation.....	5	Accessories.....	8
Maintenance.....	6	Declaration of Conformity.....	10
Troubleshooting.....	7		

Introduction

Owner responsibility



WARNING: Processing of concrete and stone by methods such as cutting, grinding or drilling, especially during dry operation, generates dust that comes from the material being processed, which frequently contains silica. Silica is a basic component of sand, quartz, brick clay, granite and numerous other minerals and rocks. Exposure to excessive amount of such dust can cause:

Respiratory disease (affecting your ability to breathe), including chronic bronchitis, silicosis and pulmonary fibrosis from exposure to silica. These diseases may be fatal;

Skin irritation and rash.

Cancer according to NTP* and IARC* */ National Toxicology Program, International Agency for Research on Cancer.

Take precautionary steps:

Avoid inhalation of and skin contact with dust, mist and fumes.

Wear and ensure that all bystanders wear appropriate respiratory protection such as dust masks designed to filter out microscopic particles. (See OSHA 29 CFR Part 1926.1153)

To minimize dust emissions, use water to bind the dust, when feasible. If dry operation is necessary, use an appropriate dust extractor.

read and understood the Operator's Manual. They must be aware of:

- The product's safety instructions.
- The product's range of applications and limitations.
- How the product is to be used and maintained.

National/Local regulations could restrict the use of this product. Find out what regulations are applicable where you work before you start using the product.

Product description

The product is a water tank that is used together with Husqvarna power tools. For more information, refer to the Operator's manual for the power tool.

There are 2 models of the product. 1 model that has embedded connectivity, refer to *Embedded connectivity on page 2*, and 1 model is without embedded connectivity.

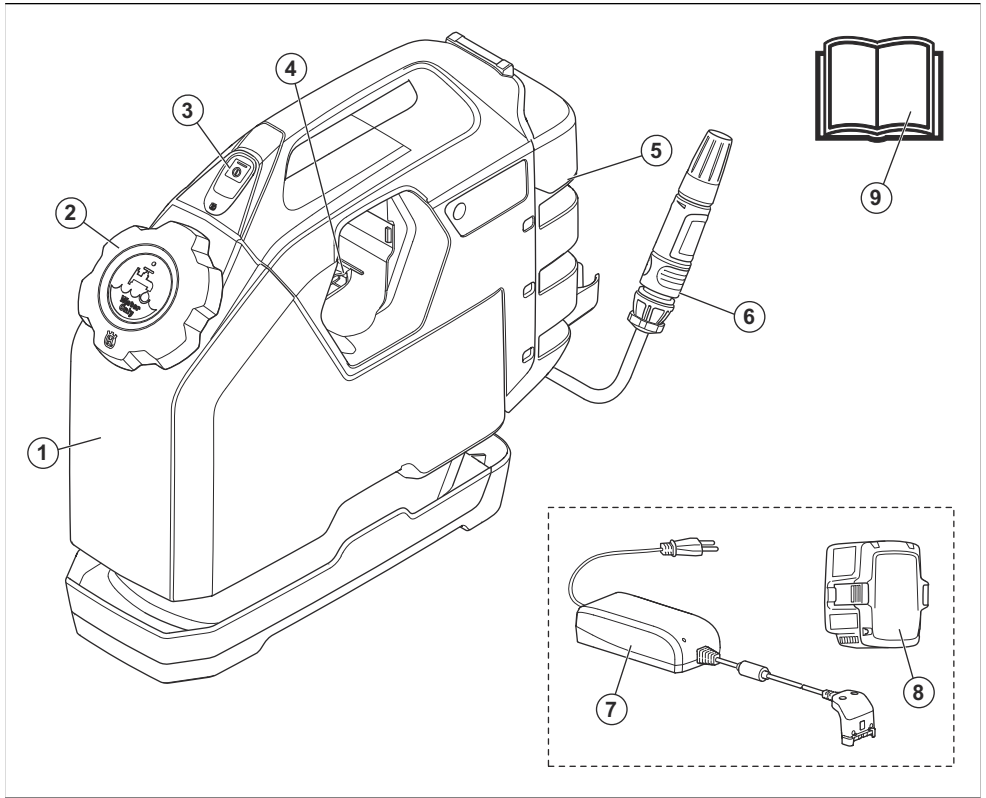
Embedded connectivity

Husqvarna Fleet Services™ is a cloud asset management solution that gives the fleet manager an overview of all products that are connected via either embedded or aftermarket sensors. The sensors record data like runtime, service intervals, and more. For more information about Husqvarna Fleet Services™, download the iOS or Android app Husqvarna Fleet Services at <https://apps.apple.com/se/app/husqvarna-fleet-services/id1334672726> or <https://play.google.com/store/apps/details?id=com.husqvarna.hfsmobile&hl=en>.

Products with embedded connectivity are connected via the embedded Husqvarna Fleet Services™ sensor that have BLE technology radio spectrum. For more information regarding how to use it, refer to *To use embedded connectivity on page 6*. For information of the Bluetooth Low Energy (BLE), refer to *Embedded connectivity on page 8*.

It is the owner's/employer's responsibility that the operator has sufficient knowledge about how to use the product safely. Supervisors and operators must have

Product overview



1. Water tank
2. Water tank cap
3. Start stop button
4. Battery slot
5. Storage space
6. Nozzle
7. Battery charger (accessory)
8. Battery (accessory)
9. Operator's manual

Note: Other symbols/decals on the product refer to special certification requirements for some markets.

Type plate

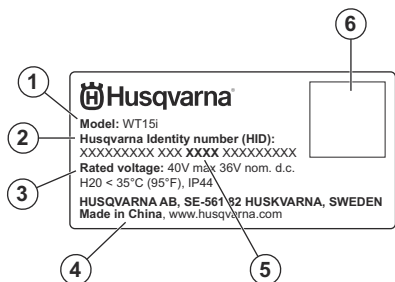
Symbols on the product



Read the manual carefully and make sure that you understand the instructions before you use the product.



The product or package of the product is not domestic waste. Recycle it at a recycling station for electrical and electronic equipment.



1. Model
2. Product identity

3. Rated voltage
4. Manufacturer
5. **Manufacturing year**
6. QR code

Product damage

We are not responsible for damages to our product if:

- the product is incorrectly repaired.
- the product is repaired with parts that are not from the manufacturer or not approved by the manufacturer.
- the product has an accessory that is not from the manufacturer or not approved by the manufacturer.
- the product is not repaired at an approved service center or by an approved authority.

Safety

Safety definitions

Warnings, cautions and notes are used to point out specially important parts of the manual.



WARNING: Used if there is a risk of injury or death for the operator or bystanders if the instructions in the manual are not obeyed.



CAUTION: Used if there is a risk of damage to the product, other materials or the adjacent area if the instructions in the manual are not obeyed.

Note: Used to give more information that is necessary in a given situation.

General safety instructions



WARNING: Read the warning instructions that follow before you use the product.

- Read this operator's manual and the operator's manual for the power tool.
- You must read and understand the 2 operator's manuals before you operate the product.
- Use personal protective equipment. Protective equipment such as dust mask, non-skid safety shoes, hard hat, or hearing protection used for appropriate conditions will reduce personal injuries.
- Do not expose the product to rain or wet conditions.
- Do not use a high pressure washer to clean the product as water can enter the electrical system and cause damage to the product.
- This appliance is not intended for use by person (including children) with reduced physical, sensory or mental capabilities, or lack of experience and knowledge, unless they have been given supervision or instruction concerning use of the appliance by a person responsible for their safety. Children should be supervised to ensure that they do not play with the appliance.

Battery safety



WARNING: Read the warning instructions that follow before you use the product.

- Only use the batteries that we recommend for your product.
- Use only original batteries for this product. There is a risk of explosion if the batteries are replaced with a battery of incorrect type. Speak to your dealer for more information.
- Use batteries that are rechargeable as a power supply for the related Husqvarna products only. To prevent injury, do not use the battery as a power supply for other devices.
- Risk of electrical shock. Do not connect the battery terminals to keys, screws or other metal. This can cause a short circuit of the battery.
- If the battery leaks, do not let the liquid touch your body or eyes. If you have touched the liquid, clean the area with a large quantity of water and get medical aid.
- Do not use batteries that are non-rechargeable.
- Do not do modifications to the battery.
- Do not put objects into the air slots of the battery.
- Keep the battery away from sunlight, heat or open flame. The battery can cause an explosion and cause burns and/or chemical burns.
- Keep the battery away from rain and wet conditions.
- Keep the battery away from microwaves and high pressure.
- Do not try to disassemble or break the battery.
- Use the battery in temperatures between -10 °C/14 °F and 40 °C/104 °F.
- Do not clean the battery with water. Refer to *To clean the battery on page 6*.
- Do not use damaged battery or battery that does not operate correctly.
- Keep batteries in storage away from metal objects such as nails, screws or jewelry.
- Keep the battery away from children.

Battery charger safety



WARNING: Read all safety warnings and all instructions. Failure to follow the warnings and instructions may result in electrical shock, fire and/or serious injury.

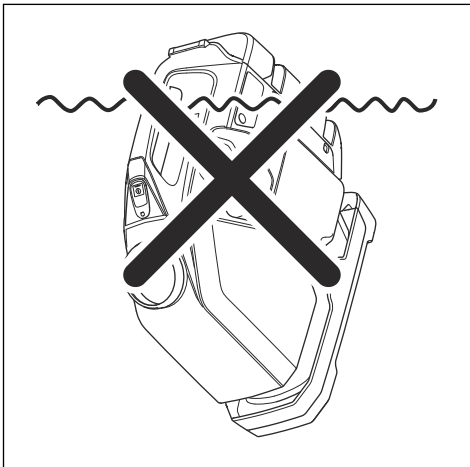
- Risk of electrical shock or short circuit if the safety instructions are not obeyed.
- Do not use other battery chargers than the one supplied for your product. Only use Husqvarna QC chargers when you charge Husqvarna replacement batteries BLi.
- Do not try to disassemble the battery charger.
- Do not use a defective or damaged battery charger.
- Do not lift the battery charger by the power cord. To disconnect the battery charger from a mains socket, pull out the plug. Do not pull the power cord.
- Keep all cables and extension leads away from water, oil and sharp edges. Make sure that the cable is not caught between doors, fences or equivalent.
- Do not use the battery charger near flammable materials or materials that can cause corrosion. Make sure that the battery charger is not covered. Pull out the plug to the battery charger if there is smoke or fire.
- Only charge the battery indoors in a location with good airflow and away from sunlight. Do not charge the battery outdoors. Do not charge the battery in wet conditions.
- Only use the battery charger where the temperature is between 5 °C (41 °F) and 40 °C (104 °F). Use the charger in an environment which has a good airflow, dry and free from dust.
- Do not put objects into the air slots of the battery charger.
- Do not connect the battery charger terminals to metal objects as this can short circuit the battery charger.
- Do not charge non-rechargeable batteries in the battery charger or use them in the machine.
- Use approved mains sockets that are not damaged.

Operation

To fill the water tank

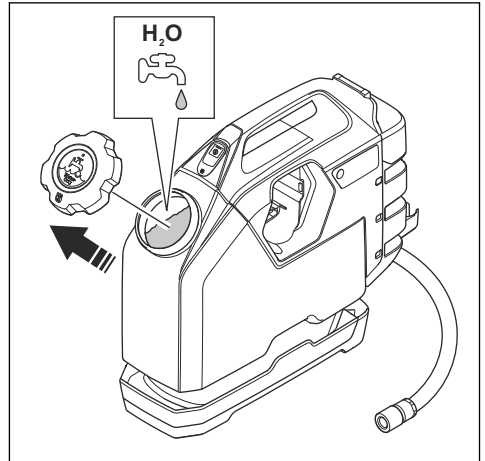
Note: Only put water in the tank. Do not put any other liquid in the water tank.

Note: Do not put the water tank in water.



1. Remove the water tank cap.

2. Fill the water tank with water.



To charge the battery



CAUTION: Make sure that the battery, the battery charger and the terminals on the battery are clean and dry. Do not put the battery in the battery charger if it is dirty or wet.

1. Connect the battery charger to a power outlet. The charging LED flashes 1 time.



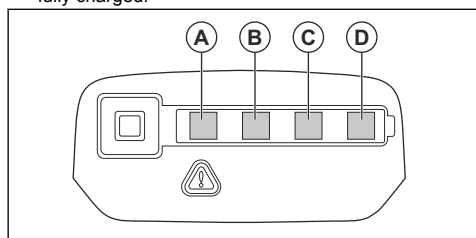
CAUTION: Only connect the battery charger to a power outlet with the voltage and frequency specified on the rating plate.

2. Connect the battery to the battery charger. The charging LED comes on.
3. Remove the battery from the battery charger.
4. Pull the power plug to disconnect the battery charger from the power outlet. Do not pull the power cord.

To connect the battery to the battery charger

Note: Charge the battery before you use it for the first time. A new battery is only 30% charged.

1. Make sure that the battery is dry.
2. Put the battery in the battery charger.
3. Make sure that the green charging light on the battery charger comes on. That means that the battery is connected correctly to the battery charger.
4. When all LEDs on the battery come on, the battery is fully charged.



5. To disconnect the battery charger from the mains socket, pull the plug. Do not pull the cable.
6. Remove the battery from the battery charger.

Note: Refer to *Technical data on page 8* and the manuals for the battery and the battery charger for more information.

To use embedded connectivity

Note: The instruction that follows is applicable only for products supplied with embedded connectivity.

To clean the battery



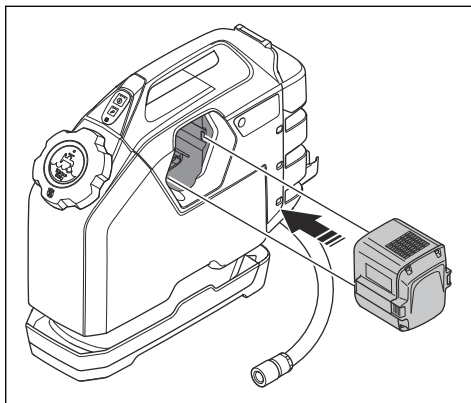
CAUTION: Do not clean the battery with water.

Note: Radio transmission by the function will be enabled when you connect to Husqvarna Fleet Services for the first time. To make this connection, the pump must be on until the connection is complete. The function is on after that.

1. Download the Husqvarna Fleet Services iOS or Android app.
2. Go to <https://getfleet.husqvarnacp.com> for more information.

To start the product

1. Put a battery in the battery department. For approved batteries, refer to *Technical data on page 8*.



2. Push the start stop button to start the product.

To stop the product

- Push the start stop button to stop the product.

Note: The pump stops automatically if the container runs out of water

Maintenance

To clean the battery

- Clean the battery terminals with compressed air or use a soft and dry cloth.
- Clean the surfaces of the battery with a soft and dry cloth.

Troubleshooting

Troubleshooting

Problem	Cause	Solution
The LED on the product flashes and the product does not start.	Battery is not charged.	Charge the battery.
The LED on the product flashes during operation.	Low battery voltage.	Charge the battery.
The product does not move water when it starts but the pump operates.	Air bubbles in the pump container.	Wait 1 minute and start again.
	Blocked filter in the pump holder.	Remove and clean the pump.
The product does not move water when it starts and the pump does not operate.	Blockage in the pump or blocked filter.	Remove and clean the pump.
	Frozen water in the pump.	Put the product in a warm location and let the frozen water melt.
Low water flow from the machine.	Blocked filter in the pump holder.	Remove and clean the pump.

The product can be used with a number of different power cutters and core drills on the market.

This product is not recommended for high performance products that use high water flow and high water pressure, for example concrete chain saws.

Transportation, storage and disposal

Transportation of the product

- Attach the product during transportation to prevent transport damage and accidents.
- Always stop the product and disconnect the power cord before you move the product.
- Always disconnect the battery before transportation.

Storage of the product

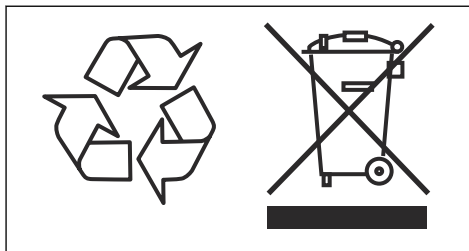
- Keep the product in a locked area to prevent access for children or persons that are not approved.
- Keep the product in a dry area.
- Remove the battery before storage.
- Make sure that the temperature is not lower than -25°C (-13°F) and not higher than 50°C (122°F).

Disposal

Symbols on the product or the packaging of the product indicate that this product cannot be handled as domestic waste. It must be submitted to an appropriate recycling station for the recovery of electrical and electronic equipment.

Make sure to disconnect the propane tank and remove the battery from the product before submitting to an appropriate recycling station. Submit the battery to an appropriate recycling station.

By ensuring that this product is taken care of correctly, you can help to counteract the potential negative impact on the environment and people that can otherwise result through the incorrect waste management of this product. For more detailed information about recycling this product, contact your municipality, your domestic waste service or the shop from where you purchased the product.



Technical data

Technical data

Water capacity, l (gal)	15 (3.7)
Weight, empty, kg (lb)	3.9 (8.6)
Dimensions (L x W x H), mm (inch)	420 x 165 x 460 (16½ x 6½ x 18)
Battery	Husqvarna Lithium-Ion, 36V
Water pressure, bar (psi)	1.1 (16)
Hose, mm (inch)	6 (1/4")
Hose length, mm (foot)	3 (10)

Use the battery in temperatures between -10° C (14° F) and 40° C (104° F).

Embedded connectivity

BLE technology radio spectrum	
Frequency bands for the tool, GHz	2.402 - 2.480
Maximum radio-frequency power transmitted, dBm/mW	4 / 2.5

Accessories

Recommended batteries and chargers for the product

Batteries
BLi100
BLi200
BLi300
40-B140X
40-B220X
40-B330X
Chargers
QC 80
40-C80

Supplier's Declaration of Conformity for WT 15i

Supplier's Declaration of Conformity for WT 15i

47 CFR § 2.1077 Compliance Information

Responsible party

Husqvarna Construction Products North America, Inc.

17400 W 119th Street

Olathe, Kansas 66061

USA

U.S Contact Information

Neil Stanford, Compliance Manager, Telephone number:
913-928-1000

FCC Compliance Statement

Changes or modifications not expressly approved by Husqvarna can void the equipment's compliance with FCC regulations, and limit the user's authority to operate the equipment.

Note: This equipment has been tested and found to comply with the limits for a Class B digital device, pursuant to part 15 of the FCC Rules. These limits are designed to provide reasonable protection against harmful interference in a residential installation. This equipment generates, uses and can radiate radio frequency energy and, if not installed and used in accordance with the instructions, may cause harmful interference to radio communications. However, there is no guarantee that interference will not occur in a particular installation. If this equipment does cause harmful interference to radio or television reception, which can be determined by turning the equipment off and on, the user is encouraged to try to correct the interference by one or more of the following measures:

- Reorient or relocate the receiving antenna.
 - Increase the separation between the equipment and receiver.
 - Connect the equipment into an outlet on a circuit different from that to which the receiver is connected.
 - Consult the dealer or an experienced radio/TV technician for help.
-

Declaration of Conformity

Contenido

Introducción.....	11	Transporte, almacenamiento y eliminación de residuos.....	17
Seguridad.....	13	Datos técnicos.....	18
Funcionamiento.....	14	Accessories.....	18
Mantenimiento.....	16	Declaración de conformidad.....	20
Solución de problemas.....	16		

Introducción

Responsabilidad del propietario



ADVERTENCIA: El procesamiento de hormigón y piedra mediante métodos como corte, amolado o perforación, especialmente en operaciones en seco, genera polvo que proviene del material procesado y a menudo contiene sílice. La sílice es un componente básico de la arena, el cuarzo, la arcilla de los ladrillos, el granito y otros numerosos minerales y rocas. La exposición a una cantidad excesiva de polvo de sílice puede causar las siguientes afecciones:

Enfermedades respiratorias (que afectan la capacidad de respirar), incluidas la bronquitis crónica, la silicosis y la fibrosis pulmonar debido a la exposición a la sílice. Estas enfermedades pueden ser mortales.

Irritación cutánea y sarpullido.

Cáncer, según el NTP* y la IARC* */National Toxicology Program (Programa Nacional de Toxicología) y Centro Internacional de Investigaciones sobre el Cáncer.

Tome medidas preventivas:

Evite inhalar y que su piel entre en contacto con el polvo, el vaho y los gases.

Utilice artículos apropiados para la protección respiratoria como máscaras contra polvo diseñadas para filtrar partículas microscópicas, y asegúrese de que todas las personas que se encuentren cerca también lo hagan. (Consulte la normativa OSHA 29 CFR Parte 1926.1153)

Para reducir al mínimo las emisiones de polvo, utilice agua para aglomerarlo cuando sea posible. Si es necesario realizar una operación en seco, utilice un extractor de polvo adecuado.

Es responsabilidad del propietario o del empleador que el operador posea los conocimientos necesarios sobre cómo utilizar el producto de manera segura.

Los supervisores y operadores deben haber leído y comprendido el manual de usuario. Deben tener conocimiento de lo siguiente:

- Las instrucciones de seguridad del producto.
- La gama de aplicaciones y limitaciones del producto.
- Cómo el producto se va a utilizar y mantener.

El uso de este producto se podría ver restringido por las normativas nacionales o locales. Antes de comenzar a utilizar el producto, infórmese sobre qué normativas se aplican en el lugar donde trabaja.

Descripción del producto

El producto es un depósito de agua que se utiliza junto con las herramientas eléctricas Husqvarna. Para obtener más información, consulte el manual de usuario de la herramienta eléctrica.

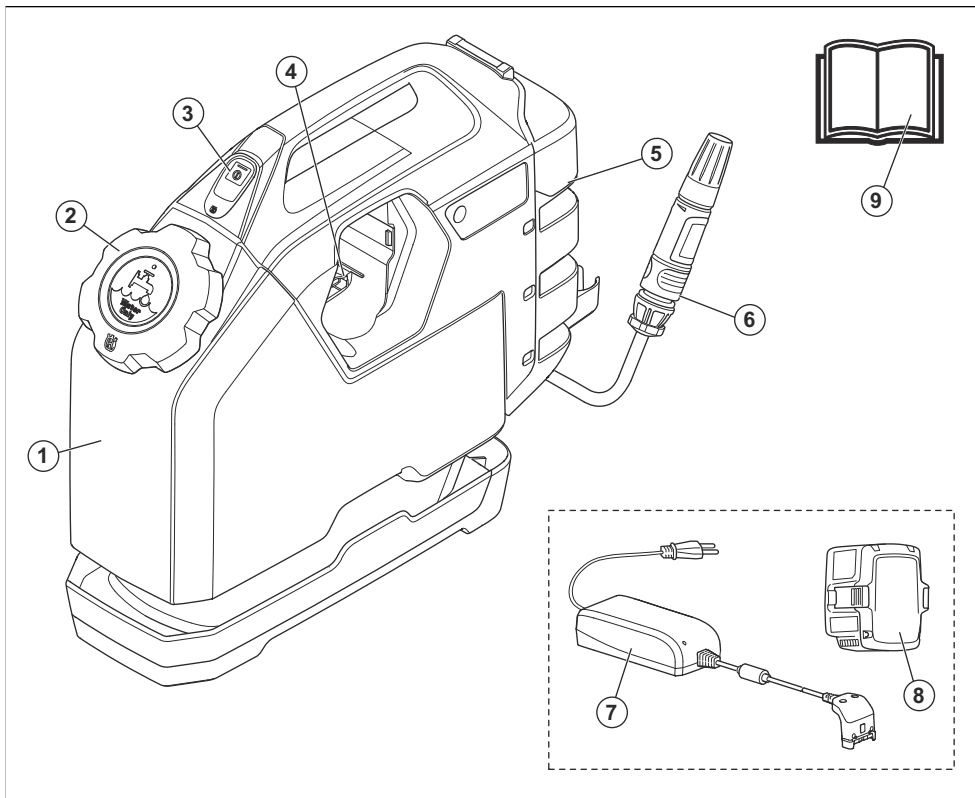
Existen dos modelos del producto. Un modelo tiene conectividad integrada; consulte la sección *Conectividad integrada en la página 11*. El otro modelo no cuenta con conectividad integrada.

Conectividad integrada

Husqvarna Fleet Services™ es una solución de administración de activos en la nube que ofrece al administrador de flotas una descripción general de todos los productos que están conectados a través de sensores integrados o del mercado de piezas de repuesto. Los sensores registran datos como el tiempo de funcionamiento, los intervalos de servicio y otros. Si desea obtener más información sobre Husqvarna Fleet Services™, descargue la aplicación Husqvarna Fleet Services para iOS o Android en <https://apps.apple.com/se/app/husqvarna-fleet-services/id1334672726> o <https://play.google.com/store/apps/details?id=com.husqvarna.hfsmobile&hl=en>.

Los productos con conectividad integrada se conectan mediante el sensor Husqvarna Fleet Services™ incluido, que también cuenta con BLE technology radio spectrum. Para obtener más información acerca de cómo utilizarlo, consulte *Para utilizar la conectividad integrada en la página 15*. Para obtener información acerca de Bluetooth Low Energy (BLE), consulte *Conectividad integrada en la página 18*.

Descripción general del producto



1. Depósito de agua
2. Tapa del depósito de agua
3. Botón Start/Stop
4. Ranura de la batería
5. Espacio de almacenamiento
6. Boquilla
7. Cargador de batería (accesorio)
8. Batería (accesorio)
9. Manual del usuario

Símbolos en el producto



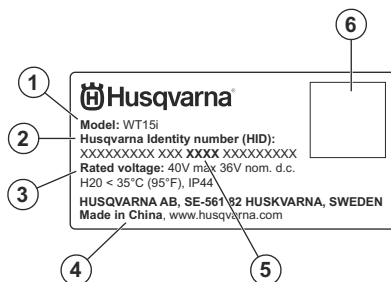
Lea atentamente el manual y asegúrese de que entiende las instrucciones antes de usar el producto.



El producto o paquete del producto no es residuo doméstico. Recíclolo en una planta de reciclaje para equipo eléctrico y electrónico.

Tenga en cuenta: Otros símbolos o etiquetas en el producto hacen referencia a requisitos de certificación especiales para algunos mercados.

Placa de identificación



1. Modelo

2. Identidad del producto
3. Voltaje nominal
4. Fabricante
5. **Año de fabricación**
6. Código QR

Daños en el producto

No somos responsables de los daños a nuestro producto en los siguientes casos:

- el producto se repara incorrectamente
- el producto se repara con piezas que no son del fabricante o que este no autoriza
- el producto tiene un accesorio que no es del fabricante o que este no autoriza
- el producto no se repara en un centro de servicio autorizado o por una autoridad aprobada.

Seguridad

Definiciones de seguridad

Las advertencias, precauciones y notas se utilizan para señalar las piezas particularmente importantes del manual.



ADVERTENCIA: Se utilizan para señalar el riesgo de lesiones graves o mortales para el operador o para aquellos que se encuentren cerca si no se siguen las instrucciones del manual.



AVISO: Se utilizan para señalar el riesgo de dañar la máquina, otros materiales o el área adyacente si no se siguen las instrucciones del manual.

Tenga en cuenta: Se utilizan para entregar más información necesaria en situaciones particulares.

Instrucciones generales de seguridad



ADVERTENCIA: Lea atentamente las instrucciones de advertencia siguientes antes de usar el producto.

- Lea este manual de usuario junto con el manual de usuario de la herramienta eléctrica.
- Debe leer y comprender los 2 manuales de usuario antes de utilizar el producto.
- Utilice el equipo de protección personal. El equipo de protección (como máscara contra polvo, calzado de seguridad antideslizante, casco o protectores auriculares) que se utiliza en condiciones pertinentes reducirá los daños personales.
- No exponga las herramientas eléctricas a la lluvia o a condiciones húmedas.
- No utilice una lavadora a alta presión para limpiar el producto, ya que puede entrar agua al sistema eléctrico y dañar el producto.
- Este aparato no está diseñado para ser utilizado por personas (incluidos niños) con capacidades físicas, sensoriales o cognitivas reducidas, o que carezcan de la experiencia y los conocimientos necesarios,

a menos que sean supervisados o hayan recibido instrucciones sobre el uso del aparato por parte de una persona responsable de su seguridad. A los niños se los debe supervisar para asegurar que no jueguen con el aparato.

Seguridad de la batería



ADVERTENCIA: Lea atentamente las instrucciones de advertencia siguientes antes de usar el producto.

- Utilice solo las baterías que recomendamos para su producto.
- Utilice solamente baterías originales para este producto. Existe riesgo de explosión si se reemplazan las baterías por baterías de tipo incorrecto. Comuníquese con su concesionario para obtener más información.
- Utilice baterías recargables como fuente de alimentación solo para los productos Husqvarna relacionados. Para evitar daños, no utilice la batería como fuente de alimentación en otros dispositivos.
- Riesgo de sacudida eléctrica. No conecte los terminales de la batería a llaves, tornillos ni a otros objetos metálicos. Esto puede provocar un cortocircuito de la batería.
- Si se produce una filtración en la batería, no permita que el líquido entre en contacto con la piel o los ojos. Si toca el líquido, limpie el área con agua abundante y solicite asistencia médica.
- No utilice baterías no recargables.
- No modifique la batería.
- No introduzca objetos en las ranuras de aire de la batería.
- Mantenga la batería alejada de la luz solar, del calor o de llamas. La batería puede explotar y causar quemaduras por fuego o químicas.
- Mantenga la batería alejada de condiciones húmedas y de la lluvia.
- Mantenga la batería alejada de microondas y de alta presión.
- No intente desarmar o romper la batería.
- Utilice la batería a temperaturas entre -10 °C/14 °F y 40 °C/104 °F.

- No limpie la batería con agua. Consulte *Para limpiar la batería en la página 16*.
- No utilice baterías dañadas ni baterías que no funcionen correctamente.
- Almacene las baterías en compartimientos alejados de objetos metálicos, como clavos, tornillos o joyas.
- Mantenga las baterías alejadas de los niños.

Seguridad del cargador de batería



ADVERTENCIA: Lea todas las advertencias de seguridad y todas las instrucciones. Si no respeta las advertencias ni sigue las instrucciones, se pueden producir sacudidas eléctricas, incendios o daños graves.

- Existe riesgo de sacudidas eléctricas o cortocircuitos si no se siguen las instrucciones de seguridad.
- No utilice otros cargadores de batería además del proporcionado para su producto. Solo utilice cargadores QC Husqvarna cuando cargue las baterías BLi Husqvarna de repuesto.
- No intente desarmar el cargador de batería.
- No utilice un cargador de batería dañado o defectuoso.
- No levante el cargador de batería tirando del cable de alimentación. Para desconectar el cargador de

batería de la toma de corriente, tire del enchufe. No tire del cable de alimentación.

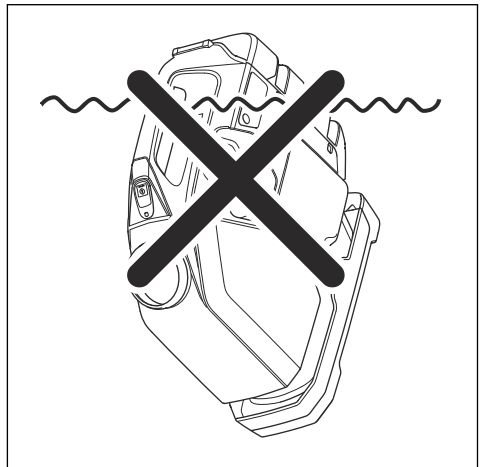
- Mantenga todos los cables y extensiones alejados del agua, aceite y bordes afilados. Asegúrese de que el cable no quede atrapado entre puertas, cercos u objetos similares.
- No utilice el cargador de batería cerca de materiales inflamables o materiales que puedan causar corrosión. Asegúrese de que el cargador de la batería no esté cubierto. Desconecte el cargador de batería del enchufe en caso de incendio o humo.
- Cargue la batería solo en un lugar bajo techo con buena ventilación y lejos de la luz solar. No cargue la batería al aire libre. No cargue la batería en condiciones húmedas.
- Solo utilice el cargador de la batería cuando la temperatura esté entre 5 °C (41 °F) y 40 °C (104 °F). Utilice el cargador en un entorno que cuente con un buen flujo de aire, seco y sin polvo.
- No ingrese objetos en las ranuras de aire del cargador de la batería.
- No conecte los terminales del cargador de la batería a objetos metálicos, ya que esto puede causar cortocircuitos en el cargador de la batería.
- No cargue baterías no recargables en el cargador de la batería ni las utilice en la máquina.
- Utilice tomas de corriente aprobadas que no presenten daños.

Funcionamiento

Para llenar el depósito de agua

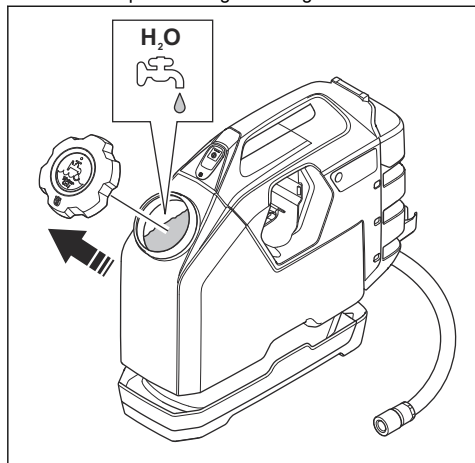
Tenga en cuenta: Solo debe llenar el depósito con agua. No ponga ningún otro líquido en el depósito de agua.

Tenga en cuenta: No sumerja el depósito de agua en agua.



1. Quite la tapa del depósito de agua.

2. Llene el depósito de agua con agua.



Para cargar la batería



AVISO: Asegúrese de que la batería, el cargador de baterías y los terminales de la batería estén limpios y secos. Si la batería está sucia o húmeda, no la coloque en el cargador de baterías.

1. Conecte el cargador de baterías a una toma de corriente. El LED de carga parpadea una vez.



AVISO: Solo conecte el cargador de baterías a una toma de corriente con el voltaje y la frecuencia que se especifican en la placa de características.

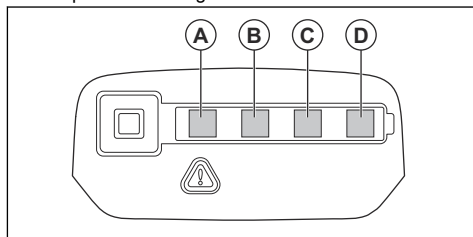
2. Conecte la batería al cargador. El LED de carga se enciende.
3. Quite la batería del cargador de la batería.
4. Tire del enchufe para desconectar el cargador de baterías de la toma de corriente. No tire del cable de alimentación.

Para conectar la batería al cargador

Tenga en cuenta: Cargue la batería antes de usarla por primera vez. Una batería nueva solo está cargada en un 30 %.

1. Asegúrese de que la batería esté seca.
2. Coloque la batería en el cargador.
3. Asegúrese de que la luz verde de carga en el cargador de la batería se encienda. Esto significa que la batería está conectada correctamente al cargador.

4. Cuando todas las luces LED de la batería se encienden, se indica que la batería está completamente cargada.



5. Para desconectar el cargador de batería de la toma de corriente, tire del enchufe. No tire del cable.
6. Quite la batería del cargador de la batería.

Tenga en cuenta: Consulte la sección *Datos técnicos* en la página 18 y los manuales de la batería y su cargador para obtener más información.

Para utilizar la conectividad integrada

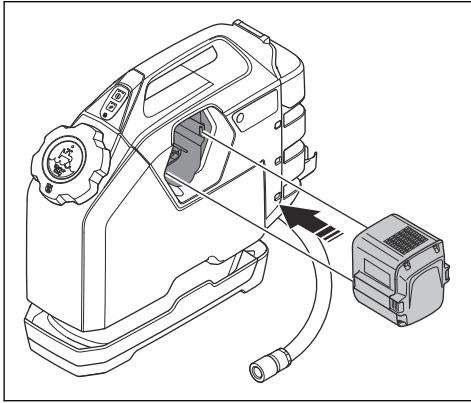
Tenga en cuenta: Las instrucciones a continuación solo se aplican a los productos suministrados con conectividad integrada.

Tenga en cuenta: La transmisión de radio de la función se activa cuando se conecta a Husqvarna Fleet Services por primera vez. Para realizar esta conexión, la bomba debe estar encendida hasta que se complete la conexión. Después de eso, la función se activa.

1. Descargue la aplicación Husqvarna Fleet Services para iOS o Android.
2. Consulte <https://getfleet.husqvarnacp.com> para obtener más información.

Para poner en marcha el producto

1. Coloque una batería en el compartimento de la batería. Para obtener información sobre las baterías aprobadas, consulte la sección *Datos técnicos en la página 18*.



2. Presione el botón start/stop para encender el producto.

Para detener el producto

- Presione el botón start/stop para detener el producto.

Tenga en cuenta: La bomba se detiene de forma automática si se agota el agua del depósito.

Mantenimiento

Para limpiar la batería



AVISO: No limpie la batería con agua.

- Limpie los terminales de la batería con aire comprimido o utilice un paño suave y seco.
- Limpie las superficies de la batería con un paño suave y seco.

Solución de problemas

Solución de problemas

Problema	Causa	Solución
El LED del producto parpadea y el producto no arranca.	La batería no está cargada.	Cargue la batería.
El LED del producto parpadea durante el funcionamiento.	Voltaje de batería bajo.	Cargue la batería.
Aunque la bomba funciona, el producto no mueve agua cuando arranca.	Hay burbujas de aire en el depósito de la bomba.	Espere 1 minuto e inténtelo de nuevo.
	Filtro bloqueado en el soporte de la bomba.	Retire y limpie la bomba.
El producto no mueve agua cuando arranca y la bomba no funciona.	Hay una obstrucción en la bomba o un filtro bloqueado.	Retire y limpie la bomba.
	Hay agua congelada en la bomba.	Coloque el producto en un lugar cálido y deje que el agua congelada se derrita.

Problema	Causa	Solución
El flujo de agua de la máquina es bajo.	Filtro bloqueado en el soporte de la bomba.	Retire y limpie la bomba.

El producto se puede usar con una serie de cortadoras y taladros de perforación de cilindros que existen en el mercado.

una presión de agua alta; por ejemplo, motosierras de concreto.

Este producto no se recomienda para productos de alto rendimiento que utilizan un flujo de agua elevado y

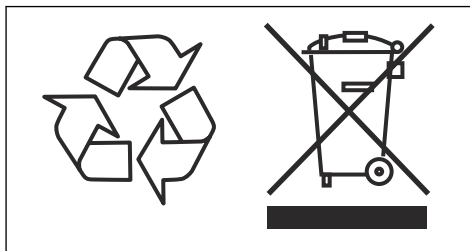
Transporte, almacenamiento y eliminación de residuos

Transporte del producto

- Asegure bien el producto durante el transporte para evitar daños y accidentes.
- Detenga el producto y desconecte el cable de alimentación antes de mover el producto.
- Siempre desconecte la batería antes de transportar el producto.

Almacenamiento del producto

- Mantenga el producto en un área cerrada para evitar que los niños u otras personas sin autorización puedan acceder a él.
- Mantenga el producto en un lugar seco.
- Extraiga la batería antes de almacenarlo.
- Asegúrese de que la temperatura no sea inferior a $-25\text{ }^{\circ}\text{C}$ ($-13\text{ }^{\circ}\text{F}$) ni superior a $50\text{ }^{\circ}\text{C}$ ($122\text{ }^{\circ}\text{F}$).



Eliminación

Los símbolos en la máquina o en su embalaje indican que este producto no se puede tratar como residuo doméstico. Debe enviarse a una estación de reciclaje apropiada para la recuperación del equipo eléctrico y electrónico.

Asegúrese de desconectar el depósito de propano y de retirar la batería del producto antes de enviarlo a una estación de reciclaje adecuada. Envíe la batería a una estación de reciclaje adecuada.

Si se asegura de mantener correctamente esta máquina, puede contribuir a contrarrestar los posibles efectos negativos en el medioambiente y en las personas que, de lo contrario, podrían resultar afectadas debido a la gestión incorrecta de los residuos de este producto. Para obtener información más detallada sobre el reciclaje de este producto, comuníquese con su municipalidad, servicio de recolección de residuos domésticos o con la tienda donde compró el producto.

Datos técnicos

Datos técnicos

Capacidad de agua, l (gal)	15 (3,7)
Peso, vacío, kg (lb)	3,9 (8,6)
Dimensiones (largo x ancho x alto), mm (in)	420 x 165 x 460 (16½ x 6½ x 18)
Batería	Husqvarna Iones de litio, 36 V
Presión del agua, bar (psi)	1,1 (16)
Manguera mm (in)	6 (1/4 in)
Largo de la manguera, mm (pies)	3 (10)

Utilice la batería con temperaturas de -10 °C (14 °F) a 40 °C (104 °F).

Conectividad integrada

Espectro de radio de tecnología BLE	
Bandas de frecuencia para la herramienta, GHz	2,402-2,480
Potencia máxima de radiofrecuencia transmitida, dBm/mW	4/2,5

Accessories

Recommended batteries and chargers for the product

Batteries
BLi100
BLi200
BLi300
40-B140X
40-B220X
40-B330X
Chargers
QC 80
40-C80

Declaración de conformidad del proveedor para WT 15i

Declaración de conformidad del proveedor para WT 15i

47 CFR § 2.1077 Compliance Information

Parte responsable

Husqvarna Construction Products North America, Inc.

17400 W 119th Street

Olathe, Kansas 66061

EE. UU.

Información de contacto para EE. UU.

Neil Stanford, Compliance Manager, número de teléfono: 913-928-1000

Declaración de conformidad de FCC

Los cambios o modificaciones que no estén expresamente aprobados por Husqvarna pueden anular el cumplimiento del equipo respecto de las normas de la FCC y limitar la autoridad del usuario para operar el equipo.

Tenga en cuenta: Este equipo se probó y se comprobó que cumple con los límites de un dispositivo digital de Clase B, conforme con el Segmento 15 de las Reglas de FCC. Estos límites están diseñados para proporcionar una protección razonable contra interferencias perjudiciales en una instalación residencial. Este equipo genera, utiliza y puede irradiar energía de radiofrecuencia y, si no se instala ni se utiliza según las instrucciones, puede causar interferencias perjudiciales para las radiocomunicaciones. Sin embargo, no hay garantía de que no se producirán interferencias en una instalación particular. Si este equipo causa una interferencia perjudicial a la recepción de radio o televisión, lo que se puede determinar apagando o encendiendo el equipo, se aconseja al usuario que trate de corregir las interferencias mediante una de las siguientes medidas:

- Reoriente o reubique la antena receptora.
 - Aumente la separación entre el equipo y el receptor.
 - Conecte el equipo a una toma de un circuito diferente del que está conectado el receptor.
 - Consulte a un distribuidor o técnico de radio o televisión experimentado para obtener ayuda.
-

Declaración de conformidad

Table des matières

Introduction.....	21	Transport, entreposage et mise au rebut.....	27
Sécurité.....	23	Données techniques.....	28
Fonctionnement.....	24	Accessories.....	28
Entretien.....	26	Déclaration de conformité.....	30
Dépannage.....	26		

Introduction

Responsabilité du propriétaire



AVERTISSEMENT : Des opérations de coupe, de surfacage ou de perçage du béton ou de la pierre, particulièrement lorsque les conditions sont sèches, génèrent de la poussière qui contient souvent de la silice. La silice est un composant de base du sable, du quartz, de la brique de l'argile, du granit et de nombreux autres pierres et minéraux. L'exposition à une quantité excessive de ces poussières peut entraîner :

une maladie respiratoire (réduisant la capacité à respirer), notamment la bronchite chronique, la silicose et la fibrose pulmonaire causée par l'exposition à la silice. Ces maladies peuvent être fatales;

Des irritations et éruptions cutanées.

Le cancer, selon le NTP (National Toxicology Program) et le CIRC (Centre international de Recherche sur le Cancer).

Prendre les précautions suivantes :

Éviter l'inhalation et le contact cutané avec les poussières, brouillards et fumées.

Porter et veiller à ce que les personnes à proximité portent un dispositif de protection respiratoire approprié, tel un masque antipoussière filtrant les particules microscopiques. (Voir OSHA 29 CFR Part 1926.1153)

Pour réduire les émissions de poussières, utiliser de l'eau pour agglomérer ces dernières, lorsque cela est possible. Si une opération à sec est nécessaire, utiliser un extracteur de poussière adéquat.

Il est de la responsabilité du propriétaire ou de l'employeur de s'assurer que l'utilisateur possède les connaissances nécessaires pour manipuler le produit en toute sécurité. Les superviseurs et les utilisateurs doivent avoir lu et compris le manuel d'utilisation. Ils doivent être conscients de ce qui suit :

- Les consignes de sécurité relatives au produit.
- L'éventail d'applications du produit et ses limites.
- La manière dont le produit doit être utilisé et entretenu.

Des règlements locaux ou nationaux pourraient limiter l'utilisation de ce produit. Découvrir les règlements en vigueur où le travail est exécuté avant d'utiliser le produit.

Description du produit

Le produit est un réservoir d'eau utilisé avec des outils électriques Husqvarna. Pour obtenir de plus amples renseignements, se reporter au manuel d'utilisation de l'outil électrique.

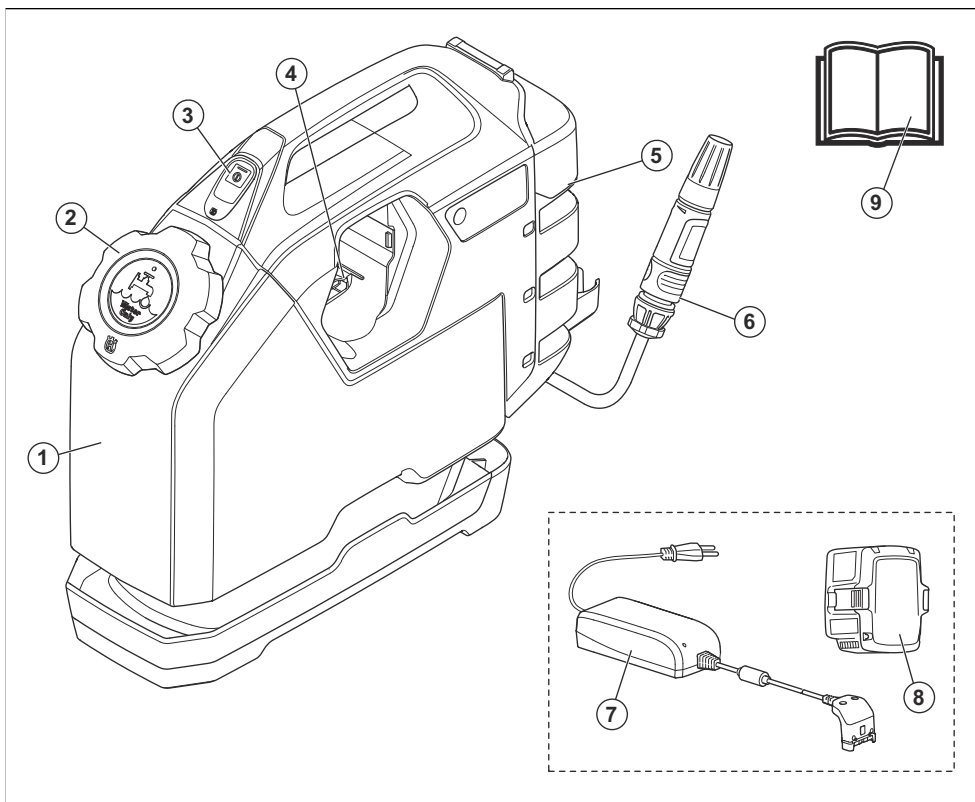
Il existe deux modèles de ce produit. Un modèle avec connectivité intégrée, voir *Connectivité intégrée à la page 21*, et un modèle sans connectivité intégrée.

Connectivité intégrée

Husqvarna Fleet Services™ est une solution de gestion des actifs dans le nuage qui donne au gestionnaire de parc un aperçu de tous les produits connectés par le biais de capteurs intégrés ou de capteurs du marché secondaire. Les capteurs enregistrent des données comme la durée de fonctionnement, les intervalles d'entretien, etc. Pour obtenir de plus amples renseignements sur Husqvarna Fleet Services™, télécharger le iOS ou Android l'application Husqvarna Fleet Services au <https://apps.apple.com/se/app/husqvarna-fleet-services/id1334672726> ou au <https://play.google.com/store/apps/details?id=com.husqvarna.hfsmobile&hl=en>.

Les produits dotés d'une connectivité intégrée sont connectés par l'intermédiaire du capteur Husqvarna Fleet Services™ intégré qui dispose de BLE technology radio spectrum. Pour obtenir de plus amples renseignements sur son utilisation, se reporter à *Utilisation de la connectivité intégrée à la page 25*. Pour obtenir des renseignements sur Bluetooth Low Energy (BLE), se reporter à *Connectivité intégrée à la page 28*.

Présentation de l'appareil



1. Réservoir d'eau
2. Bouchon du réservoir d'eau
3. Bouton de marche/arrêt
4. Emplacement de batterie
5. Espace de stockage
6. Buse
7. Chargeur de batterie (accessoire)
8. Batterie (accessoire)
9. Manuel d'utilisation

Remarque : Les autres symboles et autocollants apposés sur le produit se rapportent aux exigences en matière de certification pour certains marchés.

Plaque signalétique

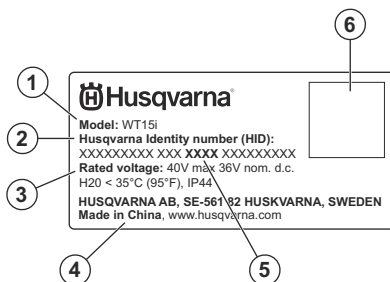
Symboles figurant sur le produit



Lire attentivement le manuel et veiller à bien comprendre les directives avant d'utiliser l'outil.



Le produit ou l'emballage du produit n'est pas un déchet domestique. Recycler dans un centre de recyclage pour équipements électriques et électroniques.



1. Modèle

2. Identité du produit
3. Tension nominale
4. Fabricant
5. **Année de fabrication**
6. Code QR

Produit endommagé

Nous ne sommes pas responsables des dommages causés à notre produit si :

- Le produit n'est pas réparé de façon adéquate.
- Le produit est réparé avec des pièces qui ne sont pas fournies ou homologuées par le fabricant.
- Le produit comprend un accessoire qui n'est pas fourni ou homologué par le fabricant.
- Le produit n'est pas réparé par un centre de service après-vente agréé ou par une autorité homologuée.

Sécurité

Définitions relatives à la sécurité

Les avertissements, recommandations et remarques soulignent des points du manuel qui revêtent une importance particulière.



AVERTISSEMENT : Indique la présence d'un risque de blessure ou de décès de l'utilisateur ou de personnes à proximité si les instructions du manuel ne sont pas suivies.



MISE EN GARDE : Indique la présence d'un risque de dommages au produit, à d'autres appareils ou à la zone adjacente si les instructions du manuel ne sont pas suivies.

Remarque : Utilisé pour donner des renseignements plus détaillés qui sont nécessaires dans une situation donnée.

Consignes générales de sécurité



AVERTISSEMENT : Lire les messages d'avertissement qui suivent avant d'utiliser l'appareil.

- Lire ce manuel de l'opérateur et le manuel de l'outil électrique.
- Vous devez lire et comprendre les deux manuels de l'opérateur avant d'utiliser le produit.
- Utiliser de l'équipement de protection individuelle. L'équipement de protection (masque antipoussière, chaussures de sécurité antidérapantes, dispositif de protection pour les oreilles, etc.) utilisé selon les conditions présentes réduit les risques de blessure.
- Ne pas exposer l'outil à la pluie ou à l'humidité.
- N'utilisez pas de pulvérisateur à haute pression pour nettoyer le produit, car l'eau pourrait pénétrer dans le circuit électrique et endommager le produit.
- Cet appareil n'est pas destiné à être utilisé par des personnes (notamment des enfants) aux capacités physiques, sensorielles ou mentales limitées, ou

manquant d'expérience et de connaissances, sauf si elles sont sous la supervision d'une personne responsable de leur sécurité ou si elles ont reçu une formation concernant l'utilisation de l'appareil. Les enfants doivent être supervisés afin de s'assurer qu'ils ne jouent pas avec les appareils.

Sécurité en matière de batteries



AVERTISSEMENT : Lire les messages d'avertissement qui suivent avant d'utiliser l'appareil.

- Utiliser uniquement les batteries recommandées pour votre produit.
- Utiliser uniquement des batteries d'origine pour ce produit. Il existe un risque d'explosion si une batterie est remplacée par une batterie de type incorrect. Pour obtenir de plus amples renseignements, communiquer avec votre concessionnaire.
- Utiliser les batteries qui sont rechargeables en tant que source d'alimentation pour les produits Husqvarna connexes seulement. Pour éviter les blessures, ne pas utiliser la batterie en tant que source d'alimentation pour d'autres appareils.
- Risque de décharge électrique. Ne pas raccorder les bornes de la batterie à des clés, des vis ou tout autre élément métallique. Cela peut provoquer un court-circuit de la batterie.
- S'il y a une fuite au niveau de la batterie, ne pas laisser le liquide toucher la peau ou les yeux. Si on touche le liquide, nettoyer la zone avec une grande quantité d'eau et consulter un médecin.
- Ne pas utiliser des batteries qui ne sont pas rechargeables.
- Ne pas modifier la batterie.
- Ne pas placer d'objet dans les fentes de ventilation de la batterie.
- Maintenir la batterie à l'écart de la lumière du soleil, de la chaleur et des flammes nues. La batterie peut provoquer une explosion et causer des brûlures ou des brûlures chimiques.
- Garder la batterie à l'écart de la pluie et de l'humidité.
- Garder la batterie à l'écart des micro-ondes et des pressions élevées.

- Ne pas essayer de démonter ou de briser la batterie.
- Utiliser la batterie à une température comprise entre -10 °C (14 °F) et 40 °C (104 °F).
- Ne pas nettoyer la batterie avec de l'eau. Se reporter à la section *Pour nettoyer la batterie à la page 26*.
- Ne pas utiliser de batterie endommagée ou qui ne fonctionne pas correctement.
- Garder les piles dans le local de rangement, à l'écart des objets métalliques tels que les clous, les vis ou les bijoux.
- Maintenir la batterie à l'écart des enfants.

Sécurité du chargeur de batteries



AVERTISSEMENT : Lire toutes les instructions et consignes de sécurité. Le non-respect de ces instructions et consignes peut provoquer une électrocution, un incendie et des blessures graves.

- Risque d'électrocution et de court-circuit si les consignes de sécurité ne sont pas suivies.
- Ne pas utiliser d'autres chargeurs de batterie que ceux fournis pour votre produit. Utiliser uniquement des chargeurs Husqvarna QC lors du chargement des batteries de rechange Husqvarna BLi.
- Ne pas essayer de démonter le chargeur de batterie.
- Ne pas utiliser un chargeur de batterie défectueux ou endommagé.
- Ne pas soulever le chargeur de batterie au moyen du cordon d'alimentation. Pour débrancher

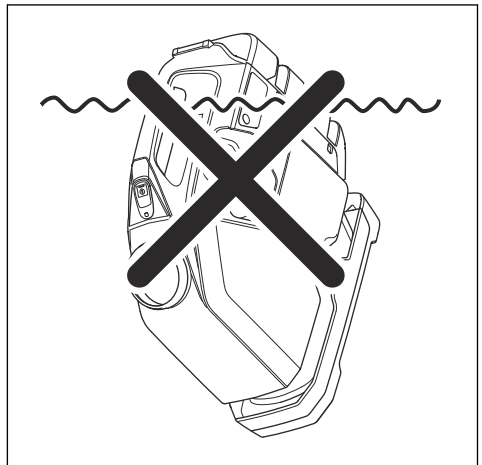
- le chargeur de batteries de la prise murale, tirer la fiche. Ne pas tirer le cordon d'alimentation.
- Tenir les câbles et les rallonges à l'abri de l'eau, de l'huile et des arrêtes coupantes. S'assurer que le câble n'est pas coincé entre les portes, les barrières ou quoique ce soit de semblable.
- Ne pas utiliser le chargeur de batterie à proximité de matériaux inflammables ou de matériaux qui peuvent engendrer une corrosion. S'assurer que le chargeur de batterie n'est pas couvert. Débrancher la prise du chargeur de batterie en cas de fumée ou d'incendie.
- Recharger la batterie seulement dans un endroit clos avec une bonne ventilation et à l'écart de la lumière. Ne pas charger la batterie à l'extérieur. Ne pas charger la batterie dans des conditions humides.
- Utiliser le chargeur de batterie seulement lorsque la température est comprise entre 5 °C (41 °F) et 40 °C (104 °F). Utiliser le chargeur dans un environnement bien ventilé, sec et exempt de poussières.
- Ne pas placer d'objet dans les fentes de ventilation du chargeur de batterie.
- Ne pas raccorder les bornes du chargeur de batterie aux objets métalliques, car cela peut court-circuiter le chargeur de batterie.
- Ne pas charger de batteries non rechargeables dans le chargeur de batterie ou les utiliser dans la machine.
- Utiliser des prises murales approuvées qui ne sont pas endommagées.

Fonctionnement

Pour remplir le réservoir d'eau

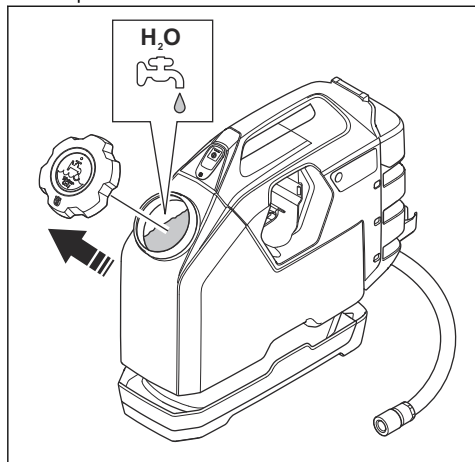
Remarque : Ne verser que de l'eau dans le réservoir. Ne verser aucun autre liquide dans le réservoir d'eau.

Remarque : Ne pas mettre le réservoir d'eau dans l'eau.



1. Retirer le bouchon du réservoir d'eau.

- Remplir le réservoir d'eau avec de l'eau.



Pour charger la batterie



MISE EN GARDE : S'assurer que la batterie, le chargeur de batterie et les bornes de la batterie sont propres et secs. Ne pas mettre la batterie dans le chargeur de batterie si cette première est sale ou humide.

- Brancher le chargeur de batterie sur une prise secteur. Le voyant DEL du système de charge clignote 1 fois.



MISE EN GARDE : Brancher uniquement le chargeur de batterie sur une prise secteur à la tension et la fréquence indiquées sur la plaque signalétique.

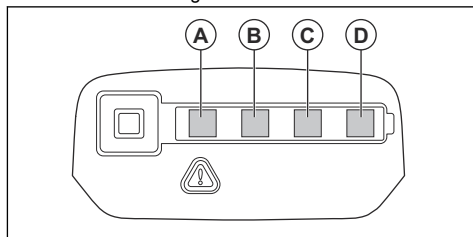
- Connecter la batterie au chargeur de batterie. Le voyant DEL vert s'allume.
- Retirer la batterie du chargeur.
- Tirer la fiche d'alimentation pour débrancher le chargeur de batterie de la prise secteur. Ne pas tirer le cordon d'alimentation.

Pour connecter la batterie au chargeur de batterie.

Remarque : Charger la batterie avant de l'utiliser pour la première fois. Les batteries neuves sont chargées à 30 % seulement.

- S'assurer que la batterie est sèche.
- Insérer la batterie dans le chargeur de batterie.

- Vérifier que le témoin vert de mise en charge sur le chargeur s'allume. Cela signifie que la batterie est correctement branchée dans le chargeur.
- Quand tous les témoins de la batterie sont allumés, la batterie est chargée à bloc.



- Pour débrancher le chargeur de la prise murale, tirer la fiche. Ne pas tirer le cordon d'alimentation.
- Retirer la batterie du chargeur.

Remarque : Pour plus d'informations, se reporter à *Caractéristiques techniques* à la page 28 et aux manuels de la batterie et du chargeur de batterie.

Utilisation de la connectivité intégrée

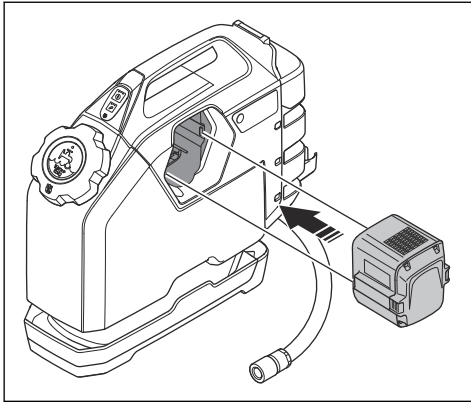
Remarque : L'instruction qui suit concerne uniquement les produits fournis avec une connectivité intégrée.

Remarque : La transmission radio par la fonction est activée lorsque vous vous connectez à Husqvarna Fleet Services pour la première fois. Pour effectuer cette connexion, la pompe doit être allumée jusqu'à ce que la connexion soit terminée. La fonction est ensuite activée.

- Télécharger l'application Husqvarna Fleet Services iOS ou Android.
- Se reporter à <https://getfleet.husqvarnaccp.com> pour plus de renseignements.

Mise sous tension de l'appareil

1. Placer une batterie dans le compartiment à batterie. Pour les batteries approuvées, se reporter à *Caractéristiques techniques à la page 28.*



2. Appuyer sur le bouton marche/arrêt pour démarrer le produit.

Mise hors tension de l'appareil

- Appuyer sur le bouton marche/arrêt pour arrêter le produit.

Remarque : La pompe s'arrête automatiquement si le conteneur finit par manquer d'eau

Entretien

Pour nettoyer la batterie



MISE EN GARDE : Ne pas nettoyer la batterie avec de l'eau.

- Nettoyer les cosses batterie avec de l'air comprimé ou utiliser un chiffon doux et sec.
- Nettoyer les surfaces extérieures de la batterie à l'aide d'un chiffon propre et sec.

Dépannage

Dépannage

Problème	Causes	Solution
La DEL du produit clignote et le produit ne démarre pas.	La batterie n'est pas chargée.	Charger la batterie.
La DEL du produit clignote durant le fonctionnement.	Tension de batterie faible.	Charger la batterie.
Le produit ne déplace pas l'eau lorsqu'il démarre, mais la pompe fonctionne.	Bulles d'air dans le conteneur de la pompe.	Attendre une minute et essayer à nouveau.
	Filtre obstrué dans le support de pompe.	Retirer et nettoyer la pompe.
Le produit ne déplace pas l'eau lorsqu'il démarre et la pompe ne fonctionne pas.	Obstruction dans la pompe ou filtre bouché.	Retirer et nettoyer la pompe.
	Eau gelée dans la pompe.	Placer le produit dans un endroit chaud et laisser l'eau gelée fondre.
Débit d'eau faible de la machine.	Filtre obstrué dans le support de pompe.	Retirer et nettoyer la pompe.

Le produit peut être utilisé avec un certain nombre de découpeuses et de carotteuses électriques différentes sur le marché.

pression d'eau élevés, par exemple les scies à chaîne pour béton.

Ce produit n'est pas recommandé pour les produits hautes performances qui utilisent un débit d'eau et une

Transport, entreposage et mise au rebut

Transport du produit

- Fixer le produit pendant le transport pour éviter tout dommage ou accident.
- Toujours arrêter le moteur et débrancher le cordon d'alimentation avant de déplacer le produit.
- Débrancher toujours la batterie avant le transport.

Entreposage du produit

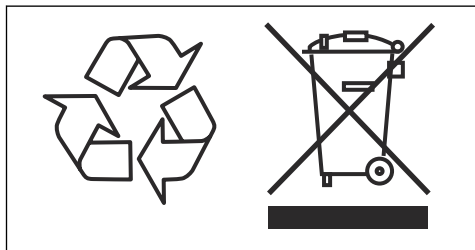
- Garder le produit dans un endroit verrouillé hors de portée des enfants et des personnes non autorisées.
- Remiser le produit dans un endroit sec.
- Retirer la batterie avant de le ranger.
- S'assurer que la température n'est pas inférieure à -25 °C (-13 °F) et ne dépasse pas 50 °C (122 °F).

Mise au rebut

Les symboles sur le produit ou l'emballage du produit indiquent que vous ne pouvez pas traiter ce produit comme un déchet domestique. Le déposer dans un centre de recyclage pour la récupération des équipements électriques et électroniques.

S'assurer de débrancher le réservoir de propane et de retirer la batterie du produit avant de remettre ce dernier à un centre de recyclage approprié. Remettre la batterie à un centre de recyclage approprié.

En veillant à ce que ce produit soit traité de façon adéquate, vous contribuez à réduire l'impact négatif potentiel sur l'environnement et les personnes de la mauvaise gestion des déchets. Pour obtenir de plus amples renseignements sur le recyclage de ce produit, communiquez avec votre municipalité, votre service de déchets ménagers ou le magasin où vous avez acheté le produit.



Données techniques

Caractéristiques techniques

Capacité en eau, l (gal)	15 (3,7)
Poids à vide, kg (lb)	3,9 (8,6)
Dimensions (L x l x H), mm (po)	420 x 165 x 460 (16,5 x 6,5 x 18)
Batterie	Husqvarna Lithium-ion, 36 V.
Pression d'eau, bar (lb/po2)	1,1 (16)
Flexible, mm (po)	6 (0,25)
Longueur de flexible, m (pi)	3 (10)

Utiliser la batterie à des températures comprises entre -10 °C (14 °F) et 40 °C (104 °F).

Connectivité intégrée

Spectre radio de la technologie BLE	
Bandes de fréquences de l'outil, GHz	2,402 à 2,480
Émission maximale de radiofréquence, dBm/mW	4 / 2,5

Accessories

Recommended batteries and chargers for the product

Batteries
BLi100
BLi200
BLi300
40-B140X
40-B220X
40-B330X
Chargers
QC 80
40-C80

Déclaration de conformité du fournisseur pour WT 15i

Déclaration de conformité du fournisseur pour WT 15i

47 CFR § 2.1077 Compliance Information

Partie responsable

Husqvarna Construction Products North America Inc.

17400 W 119th Street

Olathe, Kansas 66061

États-Unis

Personne-ressource aux États-Unis

Neil Stanford, Compliance Manager, Numéro de
téléphone : 913-928-1000

Déclaration de conformité FCC

Les modifications non expressément approuvées par Husqvarna peuvent annuler la conformité de l'équipement aux règlements de la FCC (Commission fédérale des communications américaine) et limiter le droit de l'utilisateur à utiliser l'équipement.

Remarque : Cet équipement a été testé et trouvé conforme aux limites d'un appareil de classe B, conformément à l'article 15 des règlements de la FCC. Ces limites sont conçues pour fournir une protection raisonnable contre les interférences nuisibles dans une installation résidentielle. Cet équipement produit, utilise et peut émettre des fréquences radio et, s'il n'est pas installé et utilisé conformément aux instructions, il peut provoquer des interférences nuisibles aux communications radio. Cependant, il n'y a aucune garantie que des interférences ne pourront pas se produire dans une installation particulière. Si cet équipement engendre des interférences nuisibles pour la réception radio ou télévisuelle, ce qui peut être déterminé en éteignant l'équipement, l'utilisateur est encouragé à essayer de corriger l'interférence en prenant une ou plusieurs des mesures suivantes :

- Réorienter ou déplacer l'antenne réceptrice.
 - Augmenter la distance entre l'équipement et le récepteur.
 - Raccorder l'équipement à une prise située sur un circuit différent de celui sur lequel le récepteur est raccordé.
 - Communiquer avec le concessionnaire ou un technicien radio/TV expérimenté pour obtenir de l'aide.
-

Déclaration de conformité



www.husqvarnaconstruction.com

Original instructions
Instrucciones originales
Instructions d'origine

1142559-49 Rev. C



2024-01-18