

# SERVICE MANUAL 1-10DPS75

## VERSION 2.6

From serial number 19428B and up

**Maintenance log**

Date / hour counter	Findings	Repair / Cleaning	Test on	By*

\*competent person

## Index

<b>1. Spare parts</b>	<b>04</b>
<b>2. Maintenance box</b>	<b>12</b>

**Contact**

# 1. Spare parts

Fig. 01

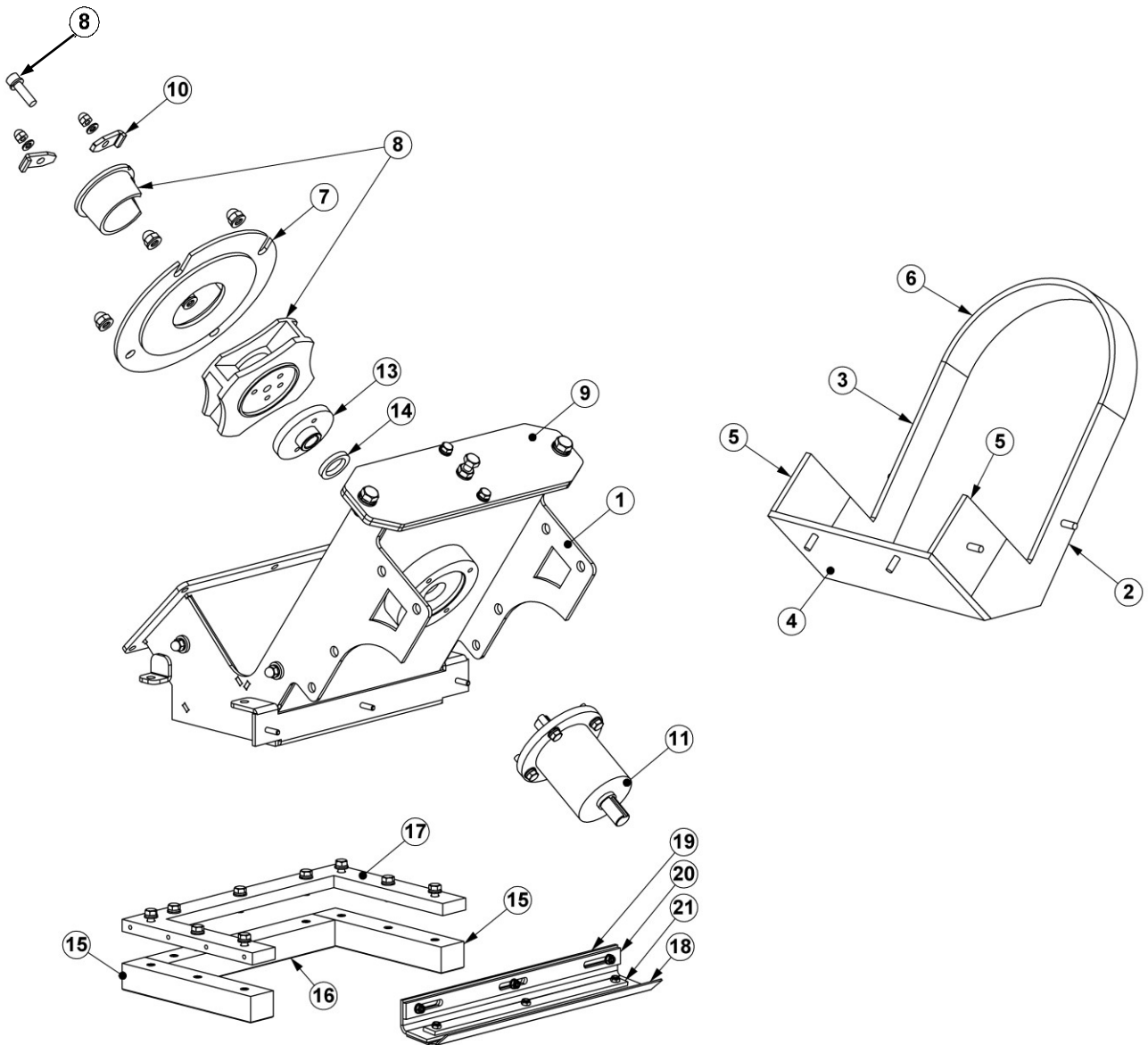




Fig. 01

Item	Blastrac Part number	HQV Part number	Description	Qty.
1	E06114	533369901	Blastbody 10"	1
2	E06154	533655401	Side liner RH	1
3	E06153	533655501	Side liner LH	1
4	E06151	533551001	Plenum bottom liner	1
5	E06152	533594801	Plenum side liner	2
6	E06155	533650701	Top liner	1
7	E06146	533272001	Blastwheel cover plate	1
8	B21637K	534912101	Tune up kit 6 1/2"	1
9	E06132	533512501	Blasthousing cover	1
10	E06148	533274401	Cage clamp	2
11	979085	533185901	Bearing unit	1
13	976310	534940101	Hub	1
14	976317	534573201	Felt seal	1
15	966024	534697401	Side magnet	2
16	B21107	533709101	Front magnet	1
17	E06157	533201901	Magnet plate	1
18	B21137	533798201	Skid seal	1
19	B21164-1	533675901	Seal for skid 80°	1
20	B21165	534824101	Seal retainer rear	1
21	B21168	534844401	Skid retainer	1

Fig. 02

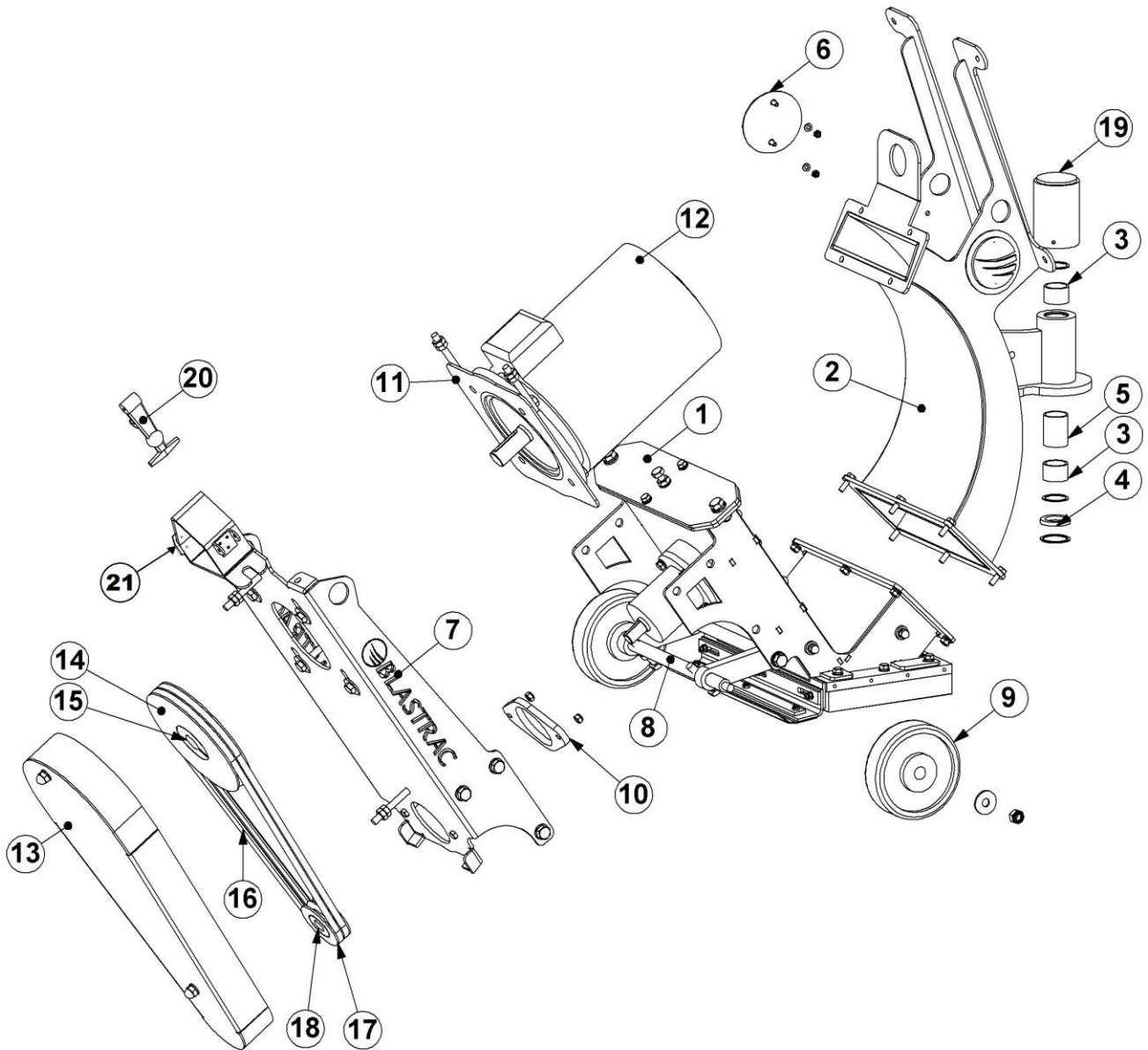


Fig. 02

Item	Blastrac Part number	HQV Part number	Description	Remarks	Qty.
1	E06132	533512501	Blasthousing cover		1
2	E06120	533509501	Rebound		1
3	2621-229	533915301	Sleeve bearing bush		2
4	E06134	533678801	Felt seal		1
5	E06133	533619901	Distance bush		1
6	E06150	534337801	Blastrac logo Ø100		2
7	E08863	533481001	Motor bracket		1
8	E06116	533280801	Wheel bracket		1
9	001228	534943501	Wheel		2
10	E06117	531484901	Dust cover		1
11	E06119	533268801	Fill up plate blastmotor		1
12	E06118-IE2	534053501	Blast motor		1
13	E08864	533478501	Pulley guard		1
14	E06160	534005101	PULLEY		1
15	E10415	533894401	Taper lock		1
16	E06131	533960501	V-BELT	50 HZ (before serial number 10522B)	2
	E06182	533914101	V-BELT	60 HZ (before serial number 10522B)	2
	E08782	533136701	V-belt	50Hz (serial number 10522B and up)	2
	350-2431-V	533623501	V-belt	60Hz (serial number 10522B and up)	2
17	976659	533822101	Pulley	50 HZ	1
	E00620	533880001	Pulley	60 HZ	1
18	E03518	533897501	Taperlock	50 HZ	1
	E00629	533926001	Taperlock	60 HZ	1
19	E06198	533151401	Dust protection hood		1
20	500-1195	531471201	Rubber latch assy		1
21	E11124	534768601	Hinge 40x40		1

**Fig. 03**

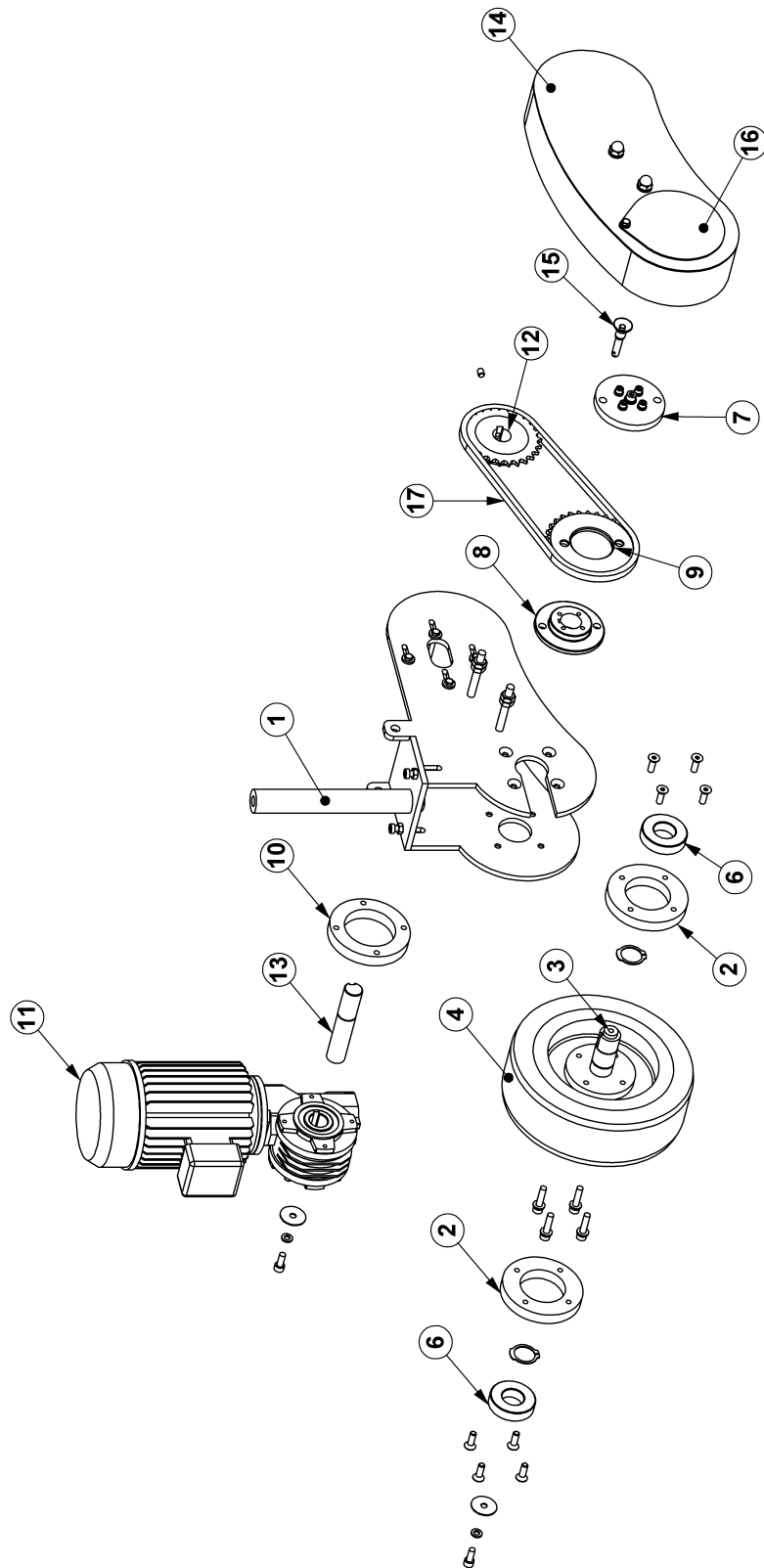




Fig. 03

Item	Blastrac Part number	HQV Part number	Description	Qty.
1	E06122	533461901	Drive bracket	1
2	E06123	533487301	Bearing flange	2
3	E06125	533587101	Traction wheel shaft	1
4	476405	534907101	Traction wheel	1
6	B20404	533703701	Bearing	2
7	477630	534863101	Sprocket retainer	1
8	488551	534642001	Hub	1
9	477631	534640601	Idler sprocket	1
10	E06126	533425701	Distance flange	1
11	E06159	533562401	Drive motor	1
12	E06127	533222201	Sprocket	1
13	E06128	533381301	Drive motor shaft	1
14	E06129	531476701	Chain cover	1
15	478198	533256401	Quick release pin	1
16	E06130	533365801	Chain guard cover	1
17	E00237	534024701	Chain	0.8 m
17.1	E00238	533930301	Chain link	1

Fig. 04

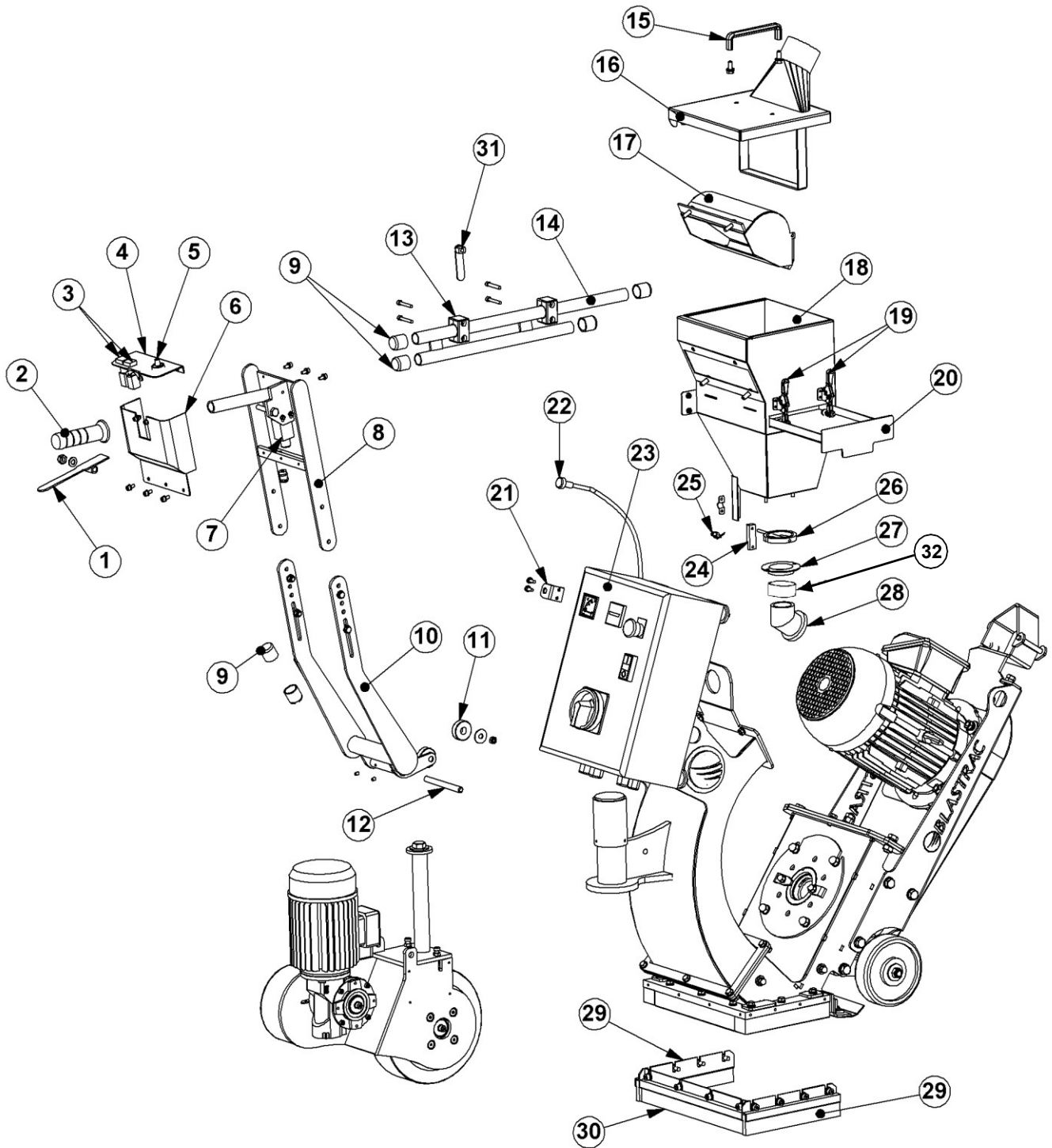


Fig. 04

Item	Blastrac Part number	HQV Part number	Description	Qty.
1	E00743	533783701	Switch lever	1
2	453290	534612901	Handle grip	1
3	E00867	533850701	Switch	2
4	E00741	533571401	Control box top plate	1
5	E00866	533613001	Potentionmeter complete	1
6	E00740	533241401	Control box	1
7	454796	534668101	Limit switch	1
8	E06143	534031901	Handle top part	1
9	E00368	533368001	Cable protection cap Ø25	6
10	E06136	535191401	Handle bottom part	1
11	E01304	531479301	Bearing	2
12	E06138	533120101	Hinge pin	1
13	DG39	533414301	Pipe clamp Ø25 (set of 2)	2
14	E06149	533274801	Cable guide	1
15	970385	533170201	Handle	1
16	E08862	533871001	Separator cover	1
17	B21003	533105301	Deflector	1
18	E08861	533382101	Separator	1
19	001084	534391301	Clamp for separator tray	2
20	E06595	533883001	Separator tray	1
21	E06145	533089801	Cable bracket	1
22	975100	533016801	Control cable	1
23	E06142	535709301	Electrical panel	1
24	959647	531487501	Valve lever	1
25	491726	534732301	Nipple&Nut	1
26	973322	534698201	Magnetic valve	1
27	B21035	533787201	Adapter magnetic valve	1
28	967577/GREY	533750701	Feed spout	1
29	E06162	533628901	Side brush	2
30	E06161	533633401	Front brush	1
31	E06531	533263801	Locking lever	1
32	971500	534572201	Feed spout seal ring	1



## 2. Maintenance box

### Maintenance box 50Hz(before serial no. 10522B) E06361

Contains the parts from the list below + 2x V-belt E06131

### Maintenance box 60Hz(before serial no. 10522B) E06361/60

Contains the parts from the list below + 2x V-belt E06182

### Maintenance box 50Hz(serial no. 10522B and higher) E06361-1

Contains the parts from the list below + 2x V-belt E08782

### Maintenance box 60Hz(serial no. 10522B and higher)E06361/60

Contains the parts from the list below + 2x V-belt 350-2431-V

Qty.	Blastrac Part number	HQV Part number	Description
1	001022	535753301	Metal box
1	E06153	533655501	Side liner LH
1	E06154	533655401	Side liner RH
1	E06155	533650701	Top liner
2	B21637K	534912101	Tune up kit 6-½
1	975100	533016801	Control cable
2	B21164	533794001	Seal for skid 80°
1	B21137	533798201	Skid seal
2	E06161	533633401	Front brush
4	E06162	533628901	Side brush
2			V-belt
1	001017	535752901	Open-end spanner 10/11
1			Open-end spanner 13/17
1	001019	535753101	Open-end spanner 17/19
1	001033	535753601	Allenkey 3
1	001016	535752801	Allenkey 6
1	000151	535752601	Hammer
1	000144	535751901	Ratchet spanner ½"
1	000146	535752001	Socket spanner SW 13mm
1	000147	535752101	Socket spanner SW 17mm
1	000148	535752301	Socket spanner SW 19mm
1			Socket allen key 8x120
1	001032	535753501	Screwdriver 5.5x120
1	001035	535753701	Insulated screwdriver 3x100
1	001031	535753401	Safety glasses



## BLASTRAC EUROPE

WE'RE READY TO ASSIST YOU!

### BLASTRAC THE NETHERLANDS

#### EUROPEAN HEAD OFFICE

Utrechthaven 12  
 NL - 3433 PN Nieuwegein  
 Tel.: +31 (0)30 601 88 66  
 Fax: +31 (0)30 601 83 33  
 Email: [info@blastrac.nl](mailto:info@blastrac.nl)  
[WWW.BLASTRAC.EU](http://WWW.BLASTRAC.EU)

### BLASTRAC POLAND

#### SALES & SERVICE CENTRE

Golina, ul. Dworcowa 47E  
 63-200 Jarocin  
 Tel.: +48 (0)62 740-41-50  
 Fax: +48(0)62 740-41-51  
 Email: [info@blastrac.pl](mailto:info@blastrac.pl)  
[WWW.BLASTRAC.PL](http://WWW.BLASTRAC.PL)

### BLASTRAC FRANCE

#### SALES & SERVICE CENTRE

ZI - 29, Av. des Temps Modernes  
 F - 86360 Chasseneuil du Poitou  
 Tel.: +33 (0)5 49 00 49 20  
 Fax: +33 (0)5 49 00 49 21  
 Email: [info@blastrac.fr](mailto:info@blastrac.fr)  
[WWW.BLASTRAC.FR](http://WWW.BLASTRAC.FR)

### BLASTRAC ITALY

#### SALES & SERVICE CENTRE

S.S. 10 Padana Inferiore, 41  
 IT - 29012 Caorso (PC)  
 Tel.: +39 0523 814241  
 Fax: +39 0523 814245  
 Email: [info@blastrac.it](mailto:info@blastrac.it)  
[WWW.BLASTRAC.IT](http://WWW.BLASTRAC.IT)

### BLASTRAC GERMANY

#### SALES & SERVICE CENTRE

Richard-Byrd-Str. 15  
 50829 Köln  
 Tel.: +49 (0) 221 709032-0  
 Fax: +49 (0) 221 709032-22  
 Email: [info@blastrac.de](mailto:info@blastrac.de)  
[WWW.BLASTRAC.DE](http://WWW.BLASTRAC.DE)

### BLASTRAC UKRAINE

#### SALES & SERVICE CENTRE

Nezalezhnosti 14, of. 21  
 07400 Brovary  
 Tel.: +38 (0)44 222 51 28  
 Fax: +38 (0)44 277 98 29  
 Email: [info@blastrac.com.ua](mailto:info@blastrac.com.ua)  
[WWW.BLASTRAC.COM.UA](http://WWW.BLASTRAC.COM.UA)

### BLASTRAC SPAIN

#### SALES & SERVICE CENTRE

Calle del Estío, 9  
 E - 28500  
 Arganda del Rey, Madrid  
 Tel.: +34 91 660 10 65  
 Fax: +34 91 672 72 11  
 Email: [info@blastrac.es](mailto:info@blastrac.es)  
[WWW.BLASTRAC.ES](http://WWW.BLASTRAC.ES)

### BLASTRAC UNITED KINGDOM

#### SALES & SERVICE CENTRE

Unit 2a, Outgang Lane, Dinnington  
 Sheffield, South Yorkshire  
 GB - S25 3QU  
 Tel.: +44 (0) 1909 / 569 118  
 Fax: + 44 (0) 1909 / 567 570  
 Email: [info@blastrac.co.uk](mailto:info@blastrac.co.uk)  
[WWW.BLASTRAC.CO.UK](http://WWW.BLASTRAC.CO.UK)

### BLASTRAC MIDDLE EAST

#### SALES & SERVICE CENTRE

P.O. box 29424  
 Dubai / United Arab Emirates  
 Tel.: +971 4 3245760  
 Fax: +971 4 3245761  
 Email: [info@blastracdx.ae](mailto:info@blastracdx.ae)  
[WWW.BLASTRAC.AE](http://WWW.BLASTRAC.AE)

### BLASTRAC INDIA

#### SALES & SERVICE CENTRE

G.B. Warehousing, GAT NO- 523,  
 Pune- Nagar Road, Wagholi  
 Pune- 412 207  
 Tel.: +91 99213 98109  
 Email: [info.blastrac.in](mailto:info.blastrac.in)  
[WWW.BLASTRAC.IN](http://WWW.BLASTRAC.IN)