

Technical Data 1

Safety Instructions 2

General 3

Transport 4

Initial Operation 5

Operation 6

Maintenance 7

Electrical Systems 8

Fault Diagnosis 9

Spare Parts 10

Warranty Information 11



MODEL BDC317P Dust Collector



OPERATING MANUAL

CONTENTS – SECTION 1

- 1.1 Rating
- 1.2 Unit specifications
- 1.3 Operative range and correct usage
- 1.4 Stand-by power supply
- 1.5 Machine type designation
- 1.6 Information for the operator

OPERATING MANUAL



1.1 RATING

Unit / Designation: Blastrac Dust Collector

Machine Type: BDC317P

Manufacturer:



Blastrac BV	Blastrac US
Utrechthaven 12	13201 North Santa Fe
3433 PN Nieuwegein	Oklahoma City, OK 73114
THE NETHERLANDS	United States of America
T +31(0)30 – 601 88 66	Local: 405/478-3440
F +31(0)30 – 601 83 33	toll-free: 800/256-3440
info@blastrac.nl	info@blastrac.com
www.blastrac.com	

Technical Data:

Dust Collector	BDC317P
Power consumption compressor	1.2 kW / 1.61 HP
Power consumption motor	3.35 kW / 4.49 HP with 2 turbines 4.45 kW / 5.97 HP with 3 turbines
Input current compressor	Max. about 3.2 A
Input current motor	10 A with 2 turbines 15 A with 3 turbines
Connected Loads	230 V, 60Hz, Single Phase
Dust hose connection	76 mm / 3" Standard, 50mm / 2" Opt.
Dust hose length	7.62 m / 25 ft
De-dusting interval	10-15 s
Airflow	540 cubic m/hr / 318 CFM

SECTION 1 TECHNICAL DATA
Connected loads (electrical system):

The indicated input current values correspond to the nominal current values of the motors working under full load. These values are not achieved under normal operating conditions.

Dimensions:

	Dust collector BDC317P
Length	950 mm / 37 in
Width	700 mm / 27.5 in
Height	1500 mm / 59 in
Weight	115 kg / 254 lbs

1.3 OPERATIVE RANGE AND CORRECT USAGE



The dust collector 317DCP is exclusively designed to be used with Blastrac machines. It is only allowed to vacuum **dry** dust. The manufacturer will not be liable for damage resulting from such incorrect usage. In these cases the user assumes all risks.

1.4 STAND-BY POWER SUPPLY (GENERATOR)



If the dust collector 317DCP is operated using a generator, this generator must be operated in accordance with the current U. S. National Electric Code guidelines or European VDE standards, as appropriate (this applies to the protective earth conductor in particular) in order to ensure that all safety devices are functioning and to eliminate possible damage to electrical components.

OPERATING MANUAL



1.5 MACHINE TYPE DESIGNATION

(B) **B**lastrac, (DC) **D**ust **C**ollector, 317 (P) - **P**ulse

1.6 INFORMATION FOR THE OPERATOR



The dust container of the dust collector must be emptied regularly. Observe the waste disposal regulations. In uncertain situations, ask your designated site supervisor.

CONTENTS – SECTION 2

- 2.1 Warnings and symbols
- 2.2 Organizational measures
- 2.3 Personnel selection and qualification
- 2.4 Safety precautions applicable to normal operation
- 2.5 Special work within the scope of use of the dust collector and maintenance activities, as well as repairs during operation
- 2.6 Definition of the Safety off position
- 2.7 General Safety Considerations
- 2.8 Safety regulations, electric

OPERATING MANUAL



2.1 WARNINGS AND SYMBOLS

The following denominations and symbols are used in this Operating Manual to highlight areas of particular importance. Symbols are not found on machine.



Symbol of operational safety.
In these Operating Manual this symbol will be shown next to all safety precautions that are to be taken in order to ensure prevention of life and injury. Follow these instructions and take special care in these circumstances. In addition to these instructions, the general safety precautions and accident prevention guidelines are also to be followed.



Particular details regarding the economical use of the dust collector.



Information, instructions and restrictions with regard to possible risks to persons, property or equipment.



Warning of dangerous voltages.



Indicates protective devices in electrical appliances.



Indicates where consultation with the manufacturer is required.



Instructions relating to periodic checks.



Reference to important instructions contained in the Operating Manual.

2.2 ORGANIZATIONAL MEASURES



These Operating Manual are to be kept with the machine, and must be within reach at all times!

In addition to the Operating Manual general and legal regulations regarding accident prevention and environmental protection must be complied with per local regulations.

Such duties may, for example, relate to the handling of hazardous substances, or the provision and wearing of personal protection equipment, as well as compliance with traffic regulations.

The Operating Manual must be supplemented by other instructions, including the duty to supervise and report incidents relating to particular working practices, for example work organization, work procedures and personnel safety.

Personnel entrusted with working with the machine must read and understand the Operating Manual before starting work, paying specific attention to the Safety information. To read these instructions after work has commenced is too late. This particularly applies to incidental activities such as setting up the equipment, carrying out maintenance work or training staff to work with the machine.

OPERATING MANUAL



From time to time the working practices of the staff are to be checked regarding awareness of safety and hazards.

Operators must tie back long hair, and not wear loose clothing or jewelry including rings. There is a risk of injury by items getting caught, or being drawn into moving machinery.



Use personnel protection equipment if necessary or required by regulations! Take notice of all safety and hazard notices on the dust collector!

All safety and hazard notices at or on the dust collector must be kept complete and legible!

If safety-critical changes occur to the dust collector or its working method, the dust collector must be shut down immediately! The cause of the fault must be identified and remedied immediately!



Changes, add-ons or conversions to the dust collector which might impair safety must not be undertaken without the manufacturer's permission!

This applies in particular to the fitting and adjustment of safety devices as well as to welding on load-bearing parts.

Spare parts must comply with the technical requirements specified by the manufacturer. This is always guaranteed if original spare parts are used.



Intervals for recurring checks and inspections specified in these Operating Manual must be complied with!

To perform maintenance work correctly, it is imperative to be equipped with the proper tools for the task.

The location and the operation of fire extinguishers must be made known on each work site!



Take note of the facilities for reporting and fighting fires!

2.3 PERSONNEL SELECTION AND QUALIFICATION

Fundamental duties:

Work on the machine may only be undertaken by trained personnel.

Only trained personnel may be employed. Note the statutory minimum age. Clearly specify the responsibilities of personnel for operation, setting up, servicing and maintenance work.

Make sure that only authorized personnel operate or work on the machine.

Define responsibilities of the machine operator, with regard to traffic safety regulations, and inform him not to take instructions from third parties who may not be complying with the local safety requirements.

Personnel, who are being trained to operate equipment, may only use the machine under constant supervision of an experienced person.

2.4 SAFETY PRECAUTIONS APPLICABLE TO NORMAL OPERATION

Do not allow any method of working that impairs safety.



Only operate the machine when all safety devices, and related safety equipment, are present and operational! e.g. detachable safety devices, guards, emergency stops, sound insulations and suction devices are present and operational!!

Check the dust collector visually for any damage and defects at least once a day!

In the event of operational malfunctions, the dust collector must be shut down immediately and secured! The faults must be immediately rectified!



Secure the work area around the machine in public areas providing a safety distance of at least 6.5 feet (2 meters) from the machine.

SECTION 2 SAFETY INSTRUCTIONS



Before switching on the dust collector make sure that no one can be endangered when the dust collector starts up!

Do not switch off or remove the exhaust and ventilation devices when the dust collector is running!



All persons in the proximity of the machine must wear ear protectors, safety shoes and safety glasses. In addition, the machine operator must wear close fitting protective clothing.



Use only extension cables, used for extending the main cable, that are sized and marked in accordance with the overall power consumption of the machine and valid U. S. National Electric Code guidelines or European VDE standards, as appropriate.

2.5 SPECIAL WORK WITHIN THE SCOPE OF USE OF THE DUST COLLECTOR AND MAINTENANCE ACTIVITIES AS WELL AS REPAIRS DURING OPERATION

Mechanical servicing work:

Put the machine in the Safety off position as described in section 2.6 for any servicing work on the machine.

Please follow any special safety instructions in the various sections on servicing the machine. See section 7.

Adjustment, servicing and inspection work and time limits, specified in these Operating Manual as well as any information on the replacement of parts and equipment must be undertaken and/or complied with!

These activities may only be undertaken by qualified personnel.

Do not use any aggressive cleaning materials!

Use lint-free cleaning cloths!

OPERATING MANUAL



SECTION 2 SAFETY INSTRUCTIONS

Always verify that any bolted connections that were loosened during service and maintenance work are properly secure and tight.

If safety devices need to be removed or dismantled during service and repair, these safety devices must be reinstalled, and inspected immediately after completion of the servicing and repair work.

Make sure that process materials and replaced parts are disposed of safely and in an environmentally friendly manner.

Electrical servicing work:

Make sure that electrical components used for replacement purposes comply with the original parts and are correctly adjusted if necessary.

Regarding the safety advice see also section 2.8 "Safety regulations, electric".

2.6 DEFINITION OF THE SAFETY OFF POSITION

Definition: The machine is in a safe condition where it cannot be a hazard.

Putting the equipment in the Safety off position means:

- ✓ **Switch off the dust collector.**
- ✓ **Wait for standstill of all drives**
- ✓ **Pull out mains plug.**

2.7 GENERAL SAFETY CONSIDERATIONS



Any machine, if it is not used according to regulations, may be hazardous during operation, set-up and servicing. The machine owner is responsible for compliance with the safety regulations during operation and maintenance, and for the use of safety devices supplied with the machine, as well as the provision of appropriate additional safety devices!

2.8 SAFETY REGULATIONS, ELECTRIC



Work on electrical equipment may only be performed by a skilled electrician or by trained persons under the supervision of a skilled electrician, as well as in accordance with the local electrical engineering regulations.



Use only extension cables, used for extending the main cable, that are sized and marked in accordance with the overall power consumption of the machine and the U. S. National Electric Code guidelines or European VDE standards, as appropriate.

The electrical components of the equipment must be inspected regularly. Defects such as loose connections or scorched cables must be replaced immediately. Call a skilled electrician or our Customer Service.

A second person must be present in order to unplug or to control the emergency stops if maintenance or repair requires working on live parts.

The work area must be blocked off using a red and white safety chain and a danger sign. Use a tool that is insulated against voltages.

Only start work after you are familiar with the electrical engineering regulations that apply to the local area.

CONTENTS – SECTION 3

- 3.1 Operating Manual
- 3.2 Care and maintenance
- 3.3 Scope of supply
- 3.4 Description
- 3.5 Control Box
- 3.6 The suction air system

OPERATING MANUAL



3.1 OPERATING MANUAL

This manual has been written to support the operating personnel on learning the functioning of the dust collector and to guarantee optimum operation and maintenance.



Therefore, it is important that all persons operating and maintaining the dust collector read this manual carefully and understand it fully.

The supplied dust collector has been manufactured for the country in which it will be used. All descriptions and notes have been formulated in the language of the user's country or in English in accordance with the statutory regulations, or shown as pictograms. If the customer assigns personnel with little knowledge of the language of the user's country, appropriate instruction and training must be provided.



Before using the dust collector, personnel must be familiar with how to operate the machine. This includes, but is not limited to, all important components, as well as the method of working.



Blastrac offers a course on the use of the dust collector in order to make the operating and maintenance personnel familiar with all elements of the dust collector.

Initial commissioning of the dust collector must be carried out very carefully. The dust collector operator must fully understand the sequence of the commissioning of the individual parts and their function.

3.2 CARE AND MAINTENANCE

Special attention and regular maintenance of the dust collector are imperative for continued proper function and safety.

3.3 SCOPE OF SUPPLY

Scope of supply of the dust collector:

- ✓ Dust collector (BDC317P)
- ✓ Operating Manual 1 x
- ✓ 2" hose adapter, 3" hose adapter

OPERATING MANUAL



3.4 DESCRIPTION

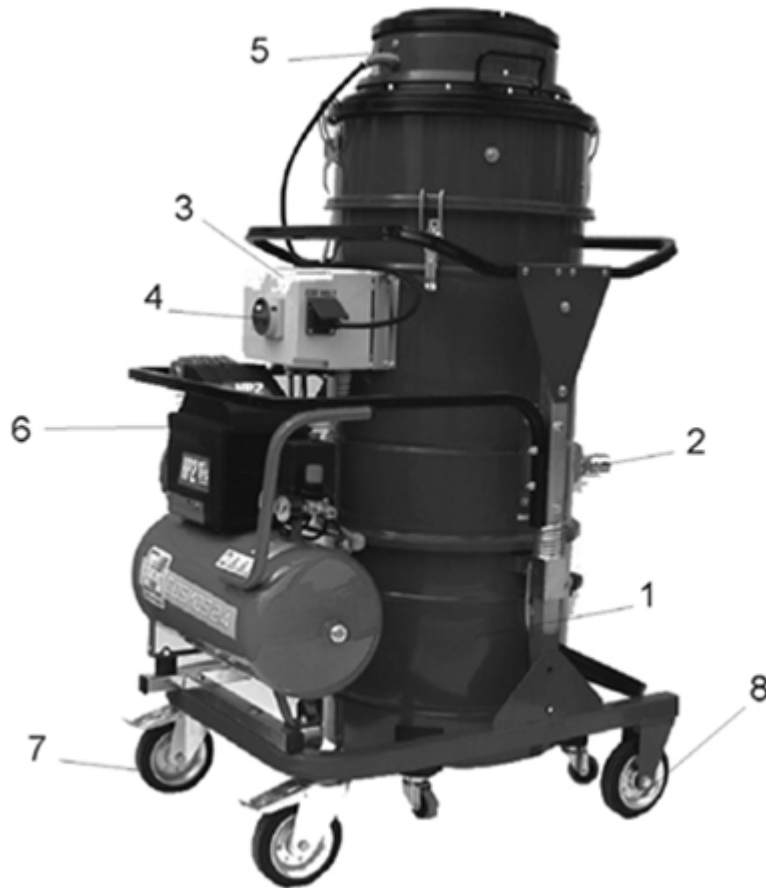


Figure 3.1

1	Hopper	5	On-off button
2	Connection dust hose	6	Compressor
3	Control box	7	Swivel castor (with brake)
4	Main Switch	8	Wheel

3.5 CONTROL BOX

Main Switch

“1” = Control ON

“0” = Control OFF

ON – OFF Button

To switch ON

To switch OFF

(It will only function if the main switch is ON.)

3.6 THE SUCTION AIR SYSTEM

The air streaming through the complete system during the application of the blast cleaning machine or other attached equipment, has the following functions:

- ✓ Cooling of the blast wheels or grinding tooling
- ✓ Cooling of the abrasive
- ✓ Transport of the abrasive
- ✓ Transport of dust through the system
- ✓ Separation of dust from the re-useable abrasive
- ✓ Transport of dust to the dust collector



All connection points must be sealed carefully and the dust hose must be fixed with hose clamps!

The filter housing must be sealed properly and all seals must be in good condition!



If dust leaves the dust collector instead of clean air, this is a sign that the filter cartridges are either damaged or not fixed correctly inside the filter chamber.

The air streams through the dust collector as follows:

- ✓ The air stream then flows through the approx. 8 m (25 ft) long flexible dust hose taking dust and fine particles with it.
- ✓ The air stream now enters the filter chamber of the dust collector where the dust and the fine particles are separated from the air. The cleaned air is then fed into the environment again.

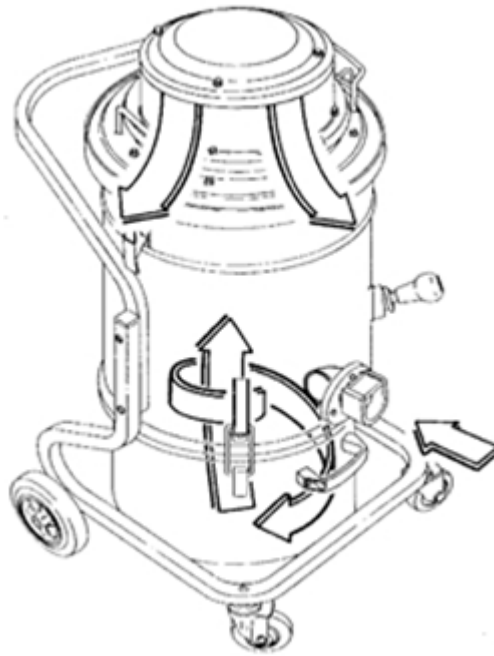


Figure 3.2

CONTENTS – SECTION 4

- 4.1 General information
- 4.2 Transport
- 4.3 Operation
- 4.4 Unit specifications

OPERATING MANUAL



4.1 GENERAL INFORMATION



Before the dust collector is used for the first time, Blastrac authorized dealers offer a course to familiarize maintenance and operating personnel with all elements of the dust collector. We are not liable for damage caused by incorrect usage of the dust collector by personnel not trained by Blastrac.

4.2 TRANSPORT

When transporting the dust collector, avoid the use of methods that could cause damage to the equipment.

Remove the dust from the dust collector before it is transported. The dust collector may only be lifted and strapped by the housing frames. The weight and dimensions of the dust collector are shown in section 1 "Technical data".

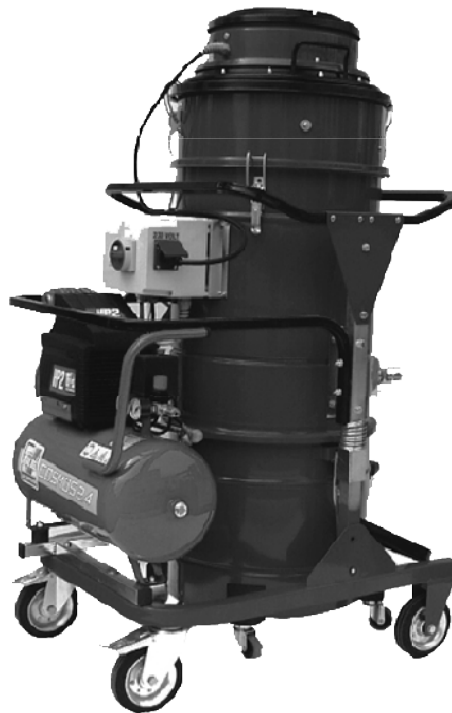


Figure 4.1

CONTENTS – SECTION 5

- 5.1 Preparation for initial operation
- 5.2 Initial operation

OPERATING MANUAL



5.1 PREPARATION FOR INITIAL OPERATION

Before switching on, make sure that all existing protective housings are mounted and that the dust collector is connected correctly.



Handle all plugs, cables, hoses and operating devices with care. Avoid any contact with live wires.

Work on the electrical system must only be carried out by qualified specialists.



Regular inspection is important in order to avoid unplanned downtimes of your dust collector. Carry out the following checks before any start-up:

- ✓ Check whether all dust collector parts are assembled safely and correctly.
- ✓ Check all screws and other fasteners for a tight seat.
- ✓ Check the tightness of the hose connections and the condition of the hose to the filter.
- ✓ Check the electrical connections for dirt and foreign body deposits.
- ✓ Check the electrical motors for dirt and other contaminants.



Before start-up the operating personnel must be familiar with the safety regulations given in this manual.

- ✓ Check the main power cable and the dust hose for damage. Replace or repair all damaged parts before starting the machine.
- ✓ Connect the Blastrac dust collector and the Blastrac machine collector with the dust hose. Use hose clamps at the connections.
- ✓ Check that the dust container of the dust collector is empty.

5.2 INITIAL OPERATION

Use the following sequence to start up the machine:

Switching on the dust collector:

Connect the dust collector to the power supply, and check if the voltage and the frequency coincide with the specifications indicated on the type plate.



Press the test button to check the function of the residual current operated device!

- ✓ Turn the main switch into position "I".
- ✓ Press the ON - Button.



The dust container of the dust collector must be emptied regularly. Observe the waste disposal regulations. In uncertain situations, ask your designated site supervisor.

CONTENTS – SECTION 6

- 6.1 Operation
- 6.2 Switching-off the dust collector
- 6.3 Empty the hopper
- 6.4 Troubleshooting
- 6.5 Safety shutdown
- 6.6 Restarting after a fault
- 6.7 Proceedings before and after a stationary period

OPERATING MANUAL



SECTION 6 OPERATION**6.1 OPERATION**

See section 5 “Initial Operation” for the normal start-up and operations procedures for the dust collector BDC317P.

Verify that the electric cable and dust hose are clear from vehicle traffic, such as forklifts and other equipment.

6.2 SWITCHING OFF THE DUST COLLECTOR

Use the following sequence to shut down the machine:

- ✓ Press the OFF-button to switch off the dust collector.
- ✓ Set the main switch of the dust collector to "0".
- ✓ Pull out the mains plug from the socket.

When the Blastrac dust collector is put out of operation for a long period of time, clean the dust collector thoroughly and cover it with a tarp.



6.3 EMPTY THE HOPPER

The level of the hopper must be regularly checked. The frequency of checks will be determined upon the surface to be cleaned.

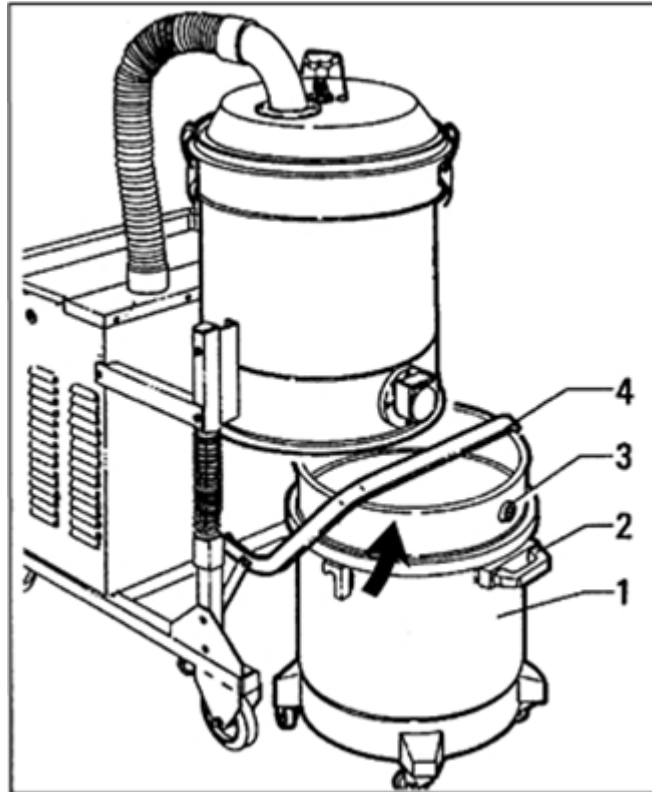


Figure 6.1 (Similar Machine)

- ✓ After finishing the blast cleaning process or other process, the dust collector must run several minutes to clear the filter cartridges.
- ✓ After several minutes, set the main switch of the dust collector to "0".
- ✓ Wait a few minutes so that the dust falls to the bottom of the dust bin.
- ✓ Pull the sliding handle (Item 4) about 180° upwards, see arrow. The dust bin (Item 1) will let down.
- ✓ Hold the handle of the bin (Item 2) to take it out and to empty it.
- ✓ Then re-install the dust bin. The handle (Item 2) must point away from the machine, as shown. Next, adjust the sliding handle (Item 4) into the initial position.

SECTION 6 OPERATION

6.4 TROUBLESHOOTING



The local safety regulations are valid in all cases regarding the operation of the dust collector and will always supersede any instructions provided in this manual.

6.5 SAFETY SHUTDOWN



The dust collector has to be into its “Safety off position” before starting repair work. See section 2.5 “Safety instructions”.

6.6 RESTARTING AFTER A FAULT

See section 5 “Initial operation”.

6.7 PROCEEDINGS BEFORE AND AFTER A STATIONARY PERIOD

Before a long standstill period:

- ✓ Clean the machine and cover it with a tarp.
- ✓ Preserve the metal parts of the dust collector with Tectyl 506, for example, or a similar preservative.



After a long storage period:

See section 5 “Initial operation”

CONTENTS – SECTION 7

- 7.1 Recommendations
- 7.2 Maintenance and inspection list
- 7.3 Repairing
- 7.4 Replacing the filter cartridges
- 7.5 Compressor and accessories

OPERATING MANUAL



7.1 RECOMMENDATIONS



Pay attention to section 2 "Safety information" during maintenance and repair work.

Failures due to inadequate or incorrect maintenance may generate very high repair costs and long standstill periods of the dust collector. Therefore, regular maintenance is required.

Operational safety and service life of the dust collector depend, among other things, on proper maintenance.

The following table shows recommendations about service intervals for normal use of the dust collector.

The time indications are based on uninterrupted operation. When the indicated number of working hours is not achieved during the corresponding period, the period can be extended. However, a full overhaul must be carried out at least once a year.

Due to different working conditions, inspection and maintenance intervals may vary. Prepare a suitable inspection schedule considering known working conditions and experience.

Our specialists will be happy to assist you with more advice.



Prior to any repair work on the dust collector and its drives, secure the dust collector against unintentional startup. Ensure the dust collector is in its safety off position.

Use of non-original replacement components or wear parts may void the machine warranty.

Follow additional operating and maintenance of OEM if included during your service and maintenance work.

7.2 MAINTENANCE AND INSPECTION LIST

Operating hours/time period	Inspection points, maintenance instructions
12 hours after repairing	Check all safety devices are working adequately. Check all accessible screw connections for tight seat.
Daily and prior to starting work	Check the hose connections for tightness and fixed seat. Check the hose to the filter for damage. Make sure that the dust bin of the filter is emptied. Check the electric connections for sediments of dirt or foreign bodies. Check the electric motors for dirt and other contaminants. Check compressor oil level.
Annually	Full overhaul and cleaning of the complete dust collector.

7.3 REPAIRING



As already mentioned in section 5 “Initial operation,” we recommend conducting initial repair work on the machine with the support of Blastrac personnel. By taking this advice, maintenance personnel get the opportunity to be trained by an expert on the machine.

We will describe only regular maintenance work that could occur within the bounds of regular maintenance or work that is required to replace wear parts.

If parts or components are to be replaced, the following sequence of maintenance must be followed.



You should also stock all spare or wear parts that cannot be supplied quickly. As a rule, production standstill periods are more expensive than the cost for the corresponding spare part.

Any fasteners that have been removed must be replaced with those of the same quality (strength, material) and design.



Prior to any repair work on the dust collector and its drives, secure the dust collector against unintentional startup. Pull out the mains plug in order to do this. See Safety Off Position 2.6

7.4 REPLACING THE FILTER CARTRIDGES

Disassembly of the filter cartridges

1. Switch off the dust collector and then unplug the mains plug. Ensure you have achieved the Safety off position.
2. Loosen the clamps (1).
3. Disconnect the control line (2) from the compressed air system.
4. Unplug the de-dusting system from the socket (4).
5. Pull out the plug for the motor. (3)
6. Pull out the hose by grabbing the handles. (5)
7. Carefully, lift up the upper part with the 2 handles (1) of the dust collector.
8. Each filter cartridge is individually fixed to one threaded rod and secured with a wing nut. Hold up the filter cartridge with one hand to loosen the wing from the threaded rod. Now you can pull out the filter cartridges downwards.
9. The filter cartridges that contain toxic or dangerous dust must be disposed of according to local regulations.



Always use the appropriate personnel protective devices when dealing with concrete or any other potentially hazardous dust. Use OSHA specified respirator.



Figure 7.1

Mounting the filter cartridges

1. Fix the new filter cartridges to the threaded rod with the wing nut. While mounting the new filter cartridges, make sure that they sit close with the gasket on the top of the filter housing. A tilt of the filter cartridge results in leakage and suction of contaminants into the clean part, then consequently blowing them backwards in the outer air.
2. Carefully, let down the upper part of the dust collector to the filter housing. Pay attention that the rubber gasket sits correct and the two stripes are correctly against each other (6).



3. Mount the dust hose with the hose clamps (3) at the aspiration port.
4. Plug the pulsing system (4) to the socket again.
5. Connect the control line (2) to the compressed air system.
6. Fix the clamps (1).



Replace the damaged filter cartridges only with genuine parts.

Use of non-original replacement components or wear parts may void the machine warranty and could affect the correct function of the equipment.

7.5 COMPRESSOR AND ACCESSORIES

Check oil level and fill in oil.

Using the oil-leveler (2), check the oil level daily and before every startup.

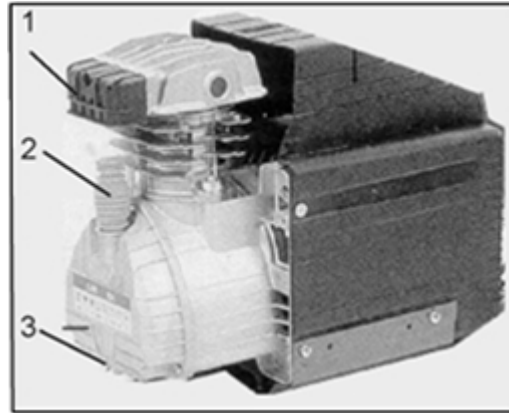


Figure 7.3

1) Suction-Filter

2) Oil-leveler

3) Oil drain plug



When the oil level has reached the mark below the oil-leveler (2), you have to refill the oil according to the oil recommendations. Never refill oil over the upper mark of the oil-leveler.

Refilling oil

- ✓ Switch off the dust collector and then unplug the mains plug. Ensure the dust collector is in the Safety off position.
- ✓ Refill oil up to the maximum oil level (2).



Because the oil must flow through the crankcase first, it will take a few minutes to reach the maximum oil level.

Oil Change

The oil must be changed when the compressor is at the working temperature.



There is a risk of burn if you touch hot oil or hot components.

The oil must be changed after the first 50 working hours.

The oil has to be changed every 200 working hours or at least one time per year.

If the oil contains condensation (water), because of the adverse working conditions, you will need to change the oil immediately. This can be checked by viewing the oil-level glass. If you notice a milky color, the oil must be changed.

Fill with motor oil with a viscosity index VG30 according to the appropriate ASTM standards or European standard DIN 51 562, as appropriate.

- ✓ Switch off the dust collector and then unplug the mains plug. Ensure the equipment is in the Safety off position.
- ✓ Make available an oil pan.



The waste oil must be collected and disposed of according to the local environmental regulations.

- ✓ Loosen the waste oil screw (3) to drain the oil into the oil pan.
- ✓ Clean the crankcase with a little quantity of new oil.
- ✓ Fit the waste oil screw (3) again.
- ✓ Fill with new oil.

Clean and replace the suction filter

The replaceable filter element (2) is made of foamed material. If dust falls on the filter element, you must clean it immediately.

Every 50 hours, the suction filter has to be cleaned with air pressure.



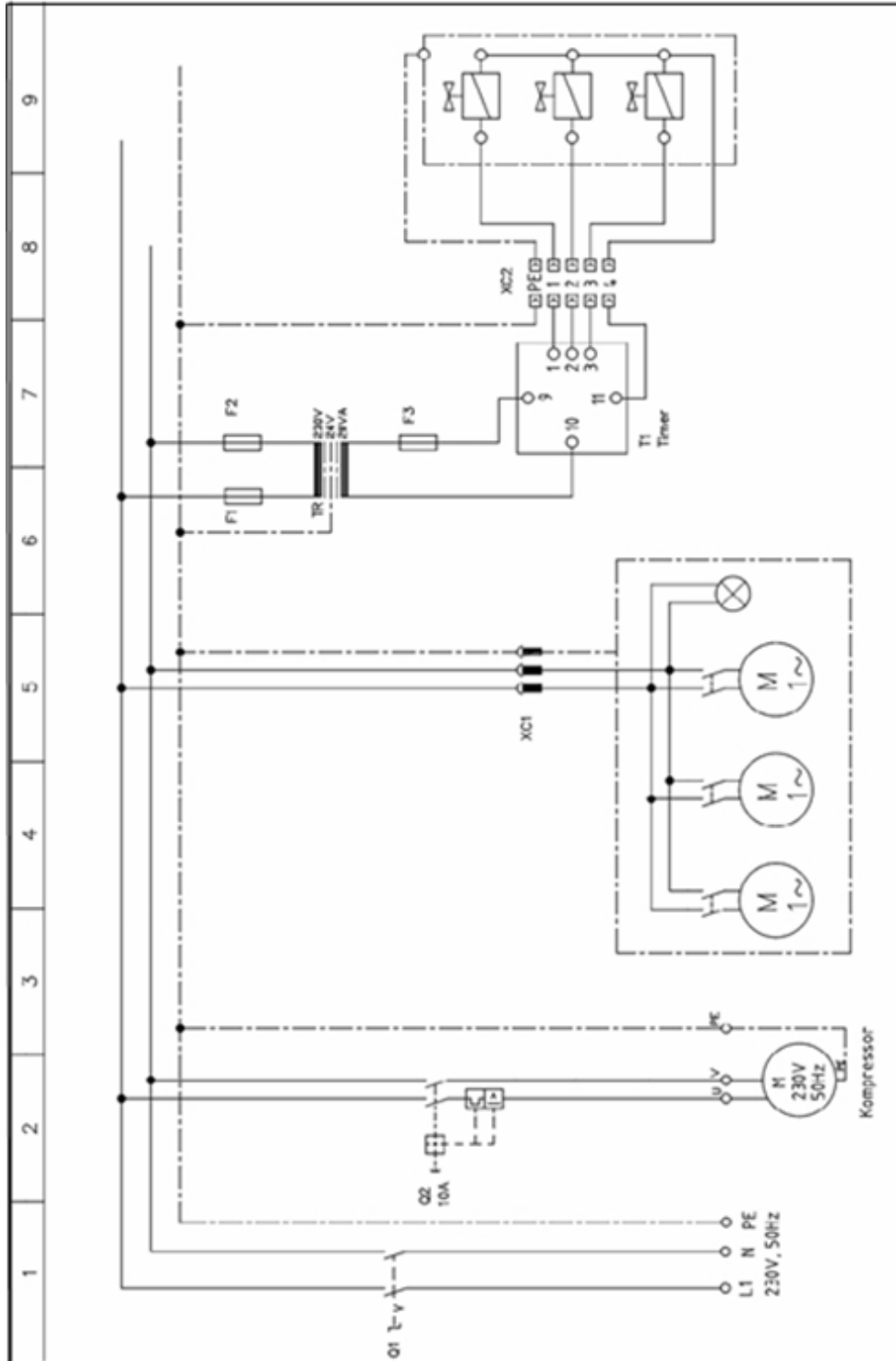
If the suction filter has been cleaned many times, there is a chance that it won't work properly. In that case, you need to replace the filter.

CONTENTS – SECTION 8

8.1 Electric circuit diagrams BDC317P

OPERATING MANUAL





CONTENTS – SECTION 9

9.1 Fault diagnosis – Dust collector

OPERATING MANUAL



9.1 FAULT DIAGNOSIS – DUST COLLECTOR



Prior to any repair work on the machine or its drives, the machine must be secured against unintentional activation. Put the machine in its Safety off position. See section 2.6.

Fault	Possible Cause	Remedy
The dust collector does not start.	No power supply	<p>Check if the outlet box carries current.</p> <p>Check the socket and the cable of the dust collector for damages.</p> <p>Have the unit checked by an electrician.</p>
The R.P.M. of the dust collector increases.	<p>Filter cartridges are clogged.</p> <p>Suction hose is clogged.</p>	<p>Replace the filter cartridges.</p> <p>Check and clean the hose assembly.</p>
The dust collector blows out dust.	Filter cartridges are damaged.	Replace the filter cartridges.
The compressor consumes too much oil.	<p>Too low oil viscosity.</p> <p>Crankcase ventilation is damaged.</p>	<p>Fill with the correct oil (see section 7.4).</p> <p>Clean or replace the crankcase ventilation.</p>

CONTENTS – SECTION 10

10.1 Spare parts

OPERATING MANUAL



10.1 SPARE PARTS

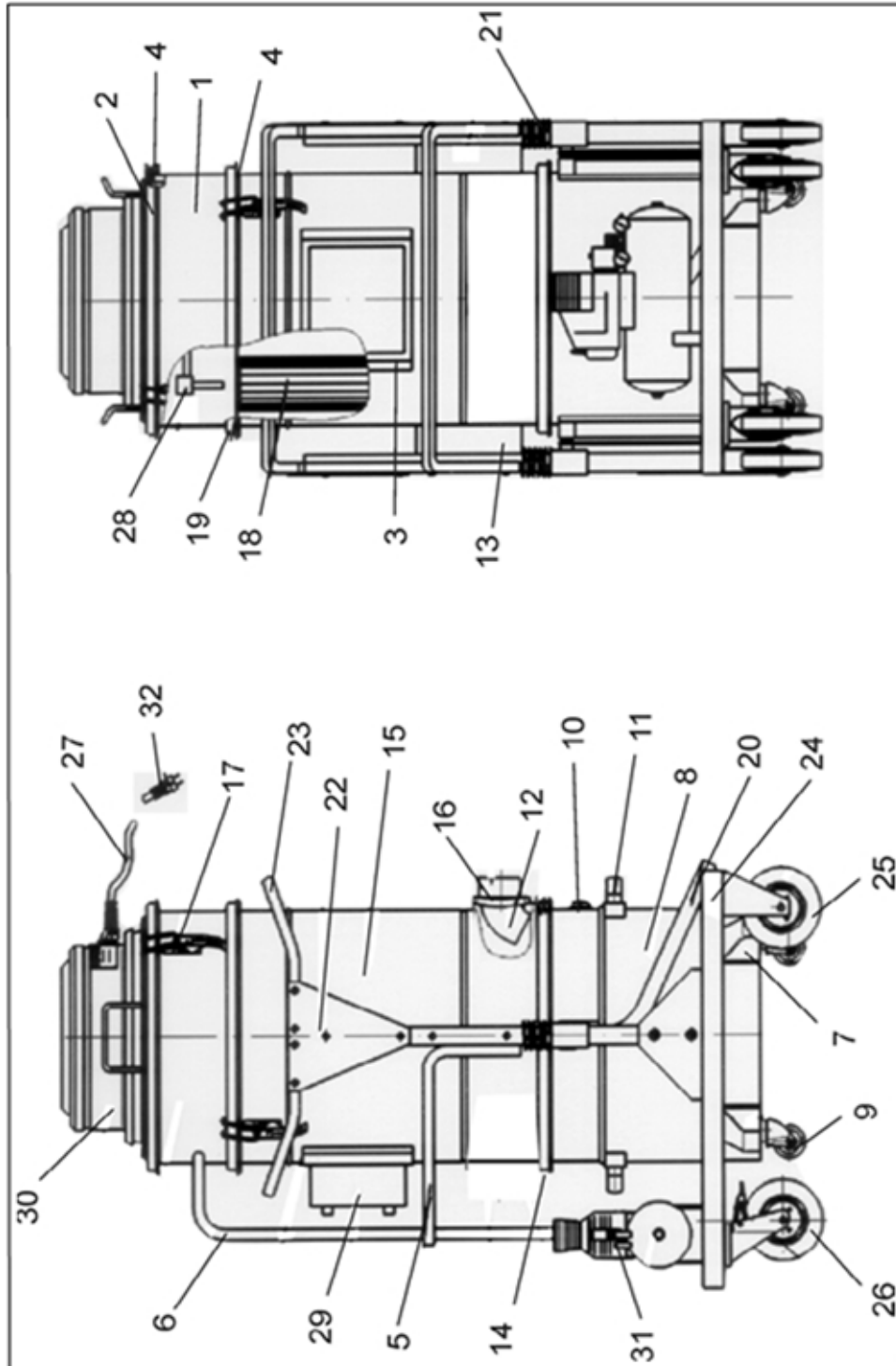


Figure 10.1

SECTION 10 SPARE PARTS

ITEM	Blastrac PN	HQV PN	QTY.	DESCRIPTION
1	CF811072	-	1	Absolute filter housing
2	CF815003	533837502	1	Iron filter ring D. 460
3	CF816146	-	1	Support electric board box
4	CF817026	534597401	2	Gasket D460
5	CF818234	-	1	Protection bail for compressor
6	CF824063	-	1	Pipe D19x6
7	CF817021	534371701	4	Plate for wheel holder
8	CF830009	-	1	Dust container
9	CF840001	535721701	4	Movable castor
10	CF840021	-	1	View window dust container
11	CF840205	-	2	Hinge bolt for dust container
12	CF812013	535720601	1	Aluminum deflector D70
13	CF814018	-	2	Holder for filter chamber
14	CF817007	535721001	1.5m	Dust ring dust container
15	CF831096	-	1	Container filter x 3307
16	CF832178	534642201	1	Inlet 70 mm w/screws & nuts
17	CF836028	534390501	4	Bin clip for iron cap
18	4932060	535712701	3	Filter Cartridge
19	CF833166	-	1	Absorption for filter-cartridge
20	CF814054	-	1	Handle for dust container
21	CF814136	-	2	Spring lever dust container
22	CF818299	-	2	Mounting plate
23	CF818300	-	2	Handle
24	CF836061	-	1	Undercarriage
25	CF840048	534939401	2	Wheel Dia.150mm with bearing
26	CF840049	534939301	2	Wheel Dia.150mm+brakes+bearings
27	B21768	-	1m	Power supply line
28	CF840330	-	3	Airvalve 24V
29	CF841087	-	1	Electro box mod.317
30	CF853302	-	1	Motorhead comp. 317DC(P)
31	CF856022	-	1	Compressor 25Lt 2Hp single phase
32	001205	-	1	Plug 230V
O Ab.	CF839001	534880801	3	Switch
O Ab.	001711	-	3	Suction motor
O Ab.	CF839533	534735201	1	Antinoise condenser
O Ab.	B21768	-	10m	Power supply line

OPERATING MANUAL



11.1 WARRANTY POLICY

BLASTRAC® PRODUCT WARRANTY

Blastrac warrants its BLASTRAC products against defects in material and workmanship under normal and proper use for a period of **1 year** from the date of delivery as noted on the returned warranty registration card, or, in the case of Rental Fleet Machines, from the date of assignment to Rental Fleet. Blastrac makes this warranty only to the buyer who purchases the products directly from Blastrac or its authorized distributor. This warranty does not include expendable parts such as, but not limited to, blades, blast wheel, wear plates, liners and seals. **If the buyer does not return the warranty card within 30 days after taking delivery of Blastrac products, the warranty period is limited to 6 months from the date of delivery.**

Warranty Terms and Conditions:

1. Blastrac's obligation under this warranty is limited to the replacement or repair, at Blastrac's option, of products and does not include the cost of transportation, loss of operating time, or normal maintenance services.
2. This warranty does not apply to failure occurring as a result of abuse, misuse, negligence, corrosion, erosion, normal wear and tear, alterations or modifications made to products without express written consent of Blastrac.
3. The buyer must submit all warranty claims on an Official Blastrac Warranty Claim form no later than thirty (30) days after buyer becomes aware of the basis for any such claim, or should have become aware of the basis for any such claim in the exercise of reasonable diligence. The buyer may obtain an Official Blastrac Warranty Claim form by writing to: Customer Service Manager, or on the Blastrac Web Site: www.blastrac.com. All warranty claims must be presented to Blastrac at: 13201 North Santa Fe Avenue, Oklahoma City, OK 73114.
4. The buyer may not return Blastrac products without Blastrac's written authorization to do so.
5. Blastrac reserves the right to inspect and determine the scope of its warranty responsibilities for any returned Blastrac products.



SECTION 11 WARRANTY INFORMATION

6. Blastrac makes no warranty with respect to accessories it does not manufacture, including but not limited to, engines, motors, batteries, tires and all other parts.
7. Blastrac reserves the right to make product changes or improvements without prior notice and without undertaking any obligation such changes or improvements on previously sold products.
8. The above warranty conditions can only be altered by Blastrac. Blastrac must confirm alterations in writing for each specific transaction.
9. Blastrac reserves the right to modify this warranty for used or demo products on an individual transaction basis. Blastrac will include warranty modifications on its invoices for used or demo products
10. BLASTRAC DOES NOT AUTHORIZE ANY PERSON, REPRESENTATIVE OR SERVICE OR SALES OUTLET TO MAKE ANY WARRANTY DIFFERENT FROM THIS PRODUCT WARRANTY.
11. EXCEPT FOR ITS PRODUCT REPAIR OR REPLACEMENT OBLIGATIONS DESCRIBED IN THIS PRODUCT WARRANTY, UNDER NO CIRCUMSTANCES SHALL BLASTRAC BE LIABLE TO THE BUYER OR ANY OTHER PERSON FOR ANY DIRECT, INCIDENTAL, OR CONSEQUENTIAL DAMAGES RESULTING FROM THE USE OF THE BLASTRAC PRODUCT OR FOR ANY SPECIAL OR CONSEQUENTIAL DAMAGES OF ANY CHARACTER, INCLUDING WITHOUT LIMITATIONS, DAMAGES FOR ANY LOSS OF GOODWILL, WORK STOPPAGE, OR ANY AND ALL OTHER COMMERCIAL DAMAGES OR LOSSES.
12. BLASTRAC MAKES NO OTHER PRODUCT WARRANTIES, EXPRESS OR IMPLIED, INCLUDING, BUT NOT LIMITED TO, THE IMPLIED WARRANTIES OF MERCHANTABILITY AND FITNESS FOR A PARTICULAR PURPOSE.

