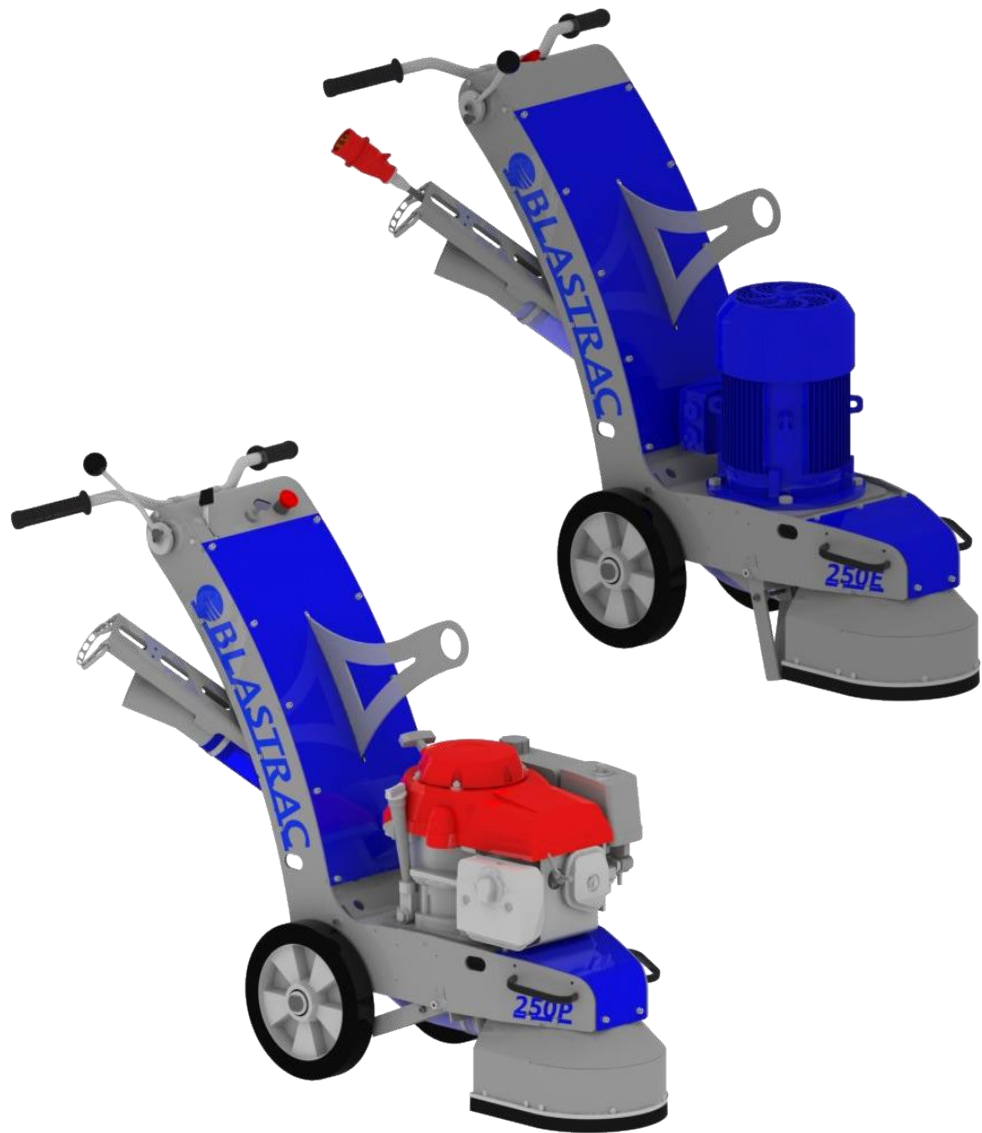




# ***BG-250E & BG-250P***

*Version 1.2*

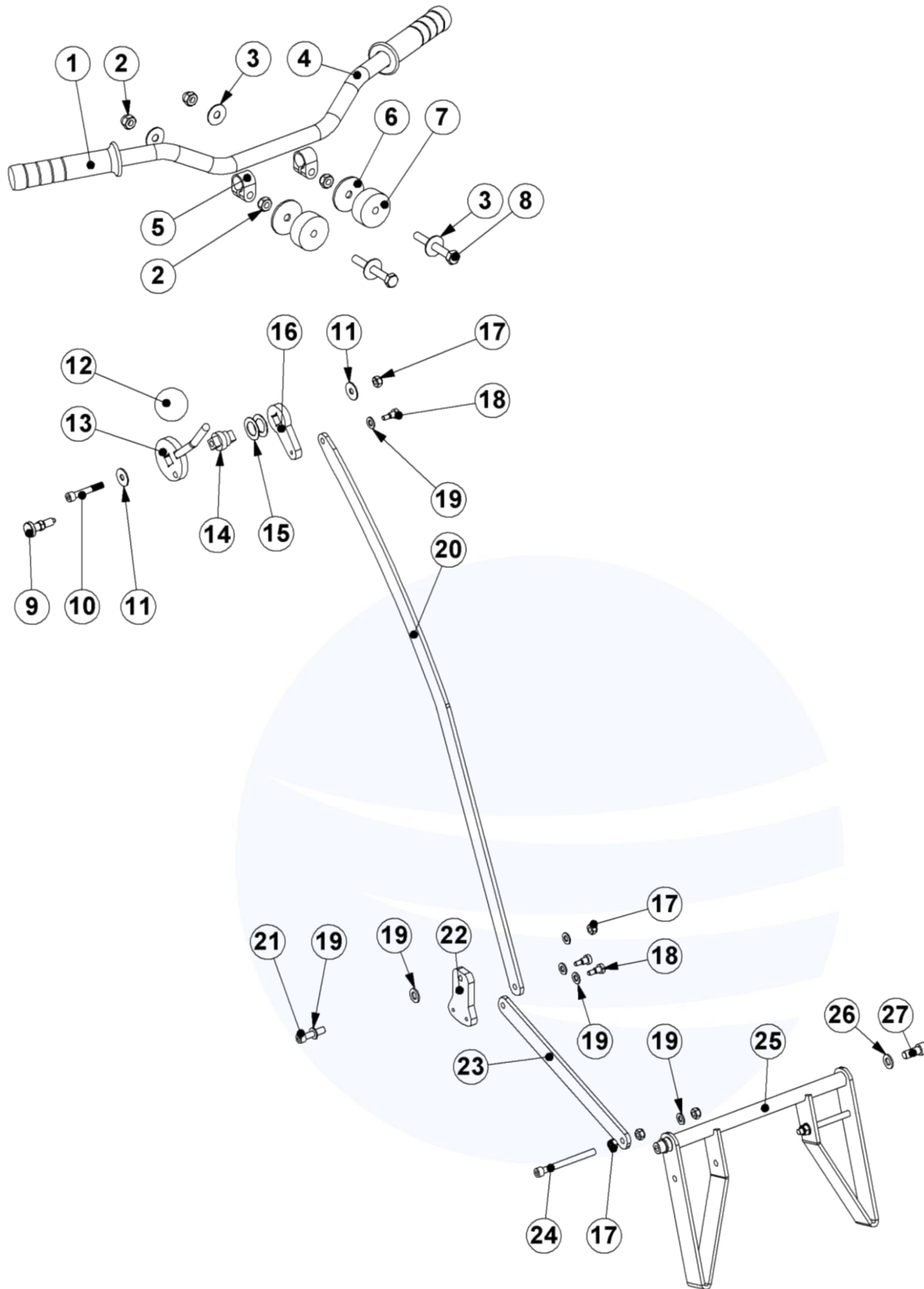


## Index

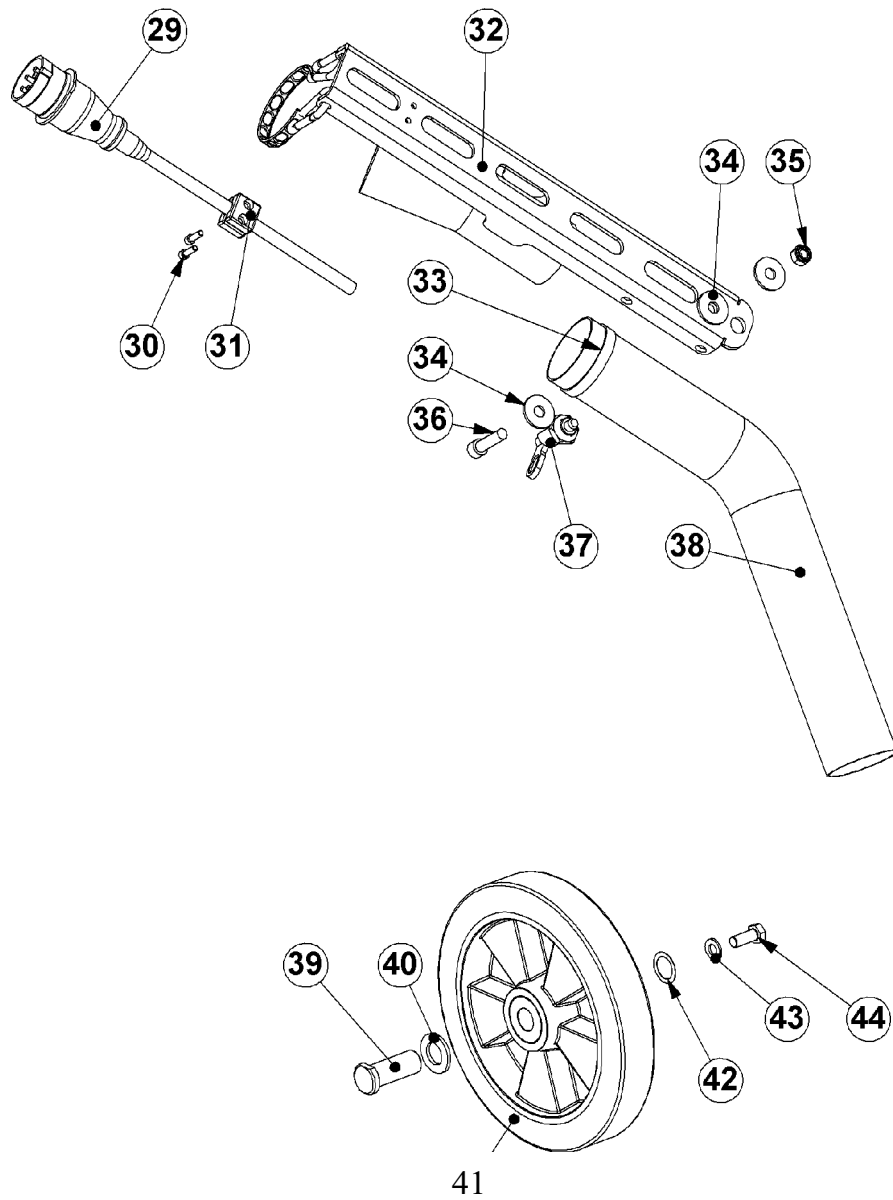
<b>1. Spare parts</b>			03
<b>2. Electric schedules</b>			
Electric circuit diagram E07396/7	BG-250G – 13HP		13
Layout and Device Settings P005084	BG-250E		16



**1. Spare parts**

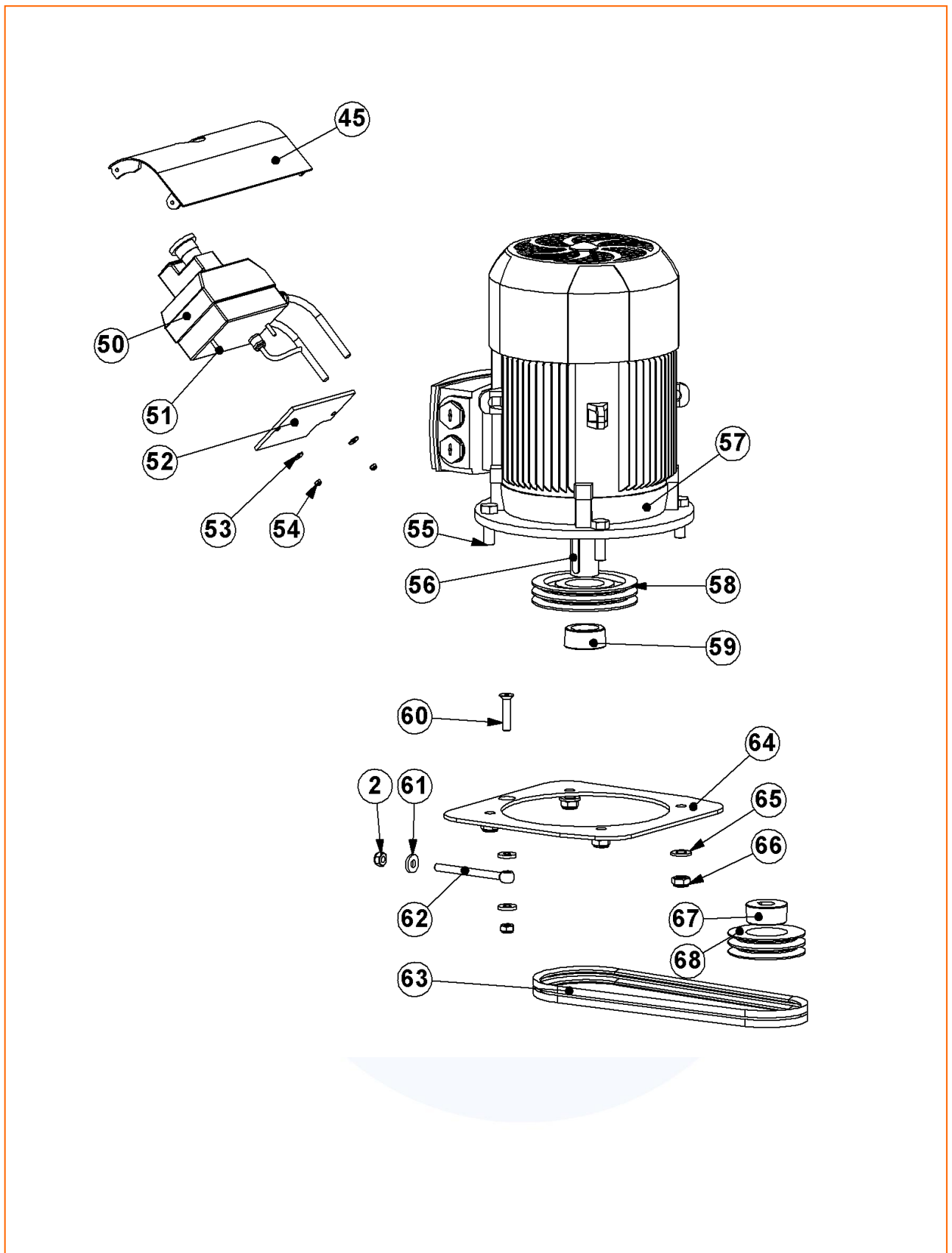


Item	Blastrac Part number	HQV Part number	Description	Remarks	Qty.
1	DG44	534083501	Grip rubber		2
2	BE0002	533591701	M10 domed cap nut	DIN 1587	2
3	BE0062	534064101	M10x30x1.5 washer		4
4	DG31	533254301	Steering handle		1
5	DG31/1	534871801	Steering handle clamp		2
6	BE0063	534054401	M10x50x3 washer		2
7	E03262	534426101	Vibration absorber		2
8	BE0371	534681601	M10x80 hexagon bolt	DIN 933	2
9	001171	533601801	Plunger		1
10	BE0439	533481601	M8x50 inbus bolt	DIN 912	1
11	BE0318	533821001	M8x25x1.5 washer		
12	E07346	533084701	Handle lever		1
13	E03365-2	533742401	M10 knob		1
14	E07348	533123901	Lever shaft		1
15	BE0060	534326301	Shim 20x32x1	DIN 988	2
16	E07349	531492101	Lever		1
17	BE0048	533511901	M8 lock nut	DIN 985	4
18	BE0642	533911701	M6 8x8 shoulder bolt		3
19	BE0003	533808601	M8 washer	DIN 125-1A	8
20	E07350	531476101	Lever 1		1
21	BE0193	534695201	M8x35 inbus bolt	DIN 912	1
22	E07351	534663401	Lever 2		1
23	E07352	534663501	Lever 3		1
24	BE0647	533830201	M8x90 inbus bolt	DIN 912	2
25	E07353	533390501	Machine support		1
26	BE0004	533268701	M10 washer	DIN 125-1A	2
27	BE0443	533763201	M10x25 inbus bolt	DIN 912	2
28					



<b>Item</b>	<b>Blastrac Part number</b>	<b>HQV Part number</b>	<b>Description</b>	<b>Remarks</b>	<b>Qty.</b>
29	009425	534767301	Plug 16A with phase inverter		1
30	BE0020	534692701	M6x20 inbus bolt	DIN 912	2
31	999-9159	534044401	Pipe clamp 12mm (set)		1
32	E07335	534878101	Swing arm for BG-250		1
33	E04734	534628901	Hose clamp		2
34	BE0669	-	M12x37x3 washer	DIN 9021	3
35	BE0073	534682901	M12 lock nut	DIN 985	1
36	BE0200	534683901	M12x45 inbus bolt	DIN 912	1
37	E06994	535372301	Fast locking pin with nut		1
38	005014	534066201	76mm hose		1m
39	BG11765-1	535785501	Bolt for wheel		2
40	BE0308	534687401	M24 washer	DIN 125-1A	2
41	E07289	531470801	Wheel		2
42	BE0335	534834501	Shim 25x35x0.5	DIN 988	6
43	BE0126	533220501	M12 washer	DIN 125-1A	2
44	BE0037	533073501	M12x30 hexagon bolt	DIN 933	2

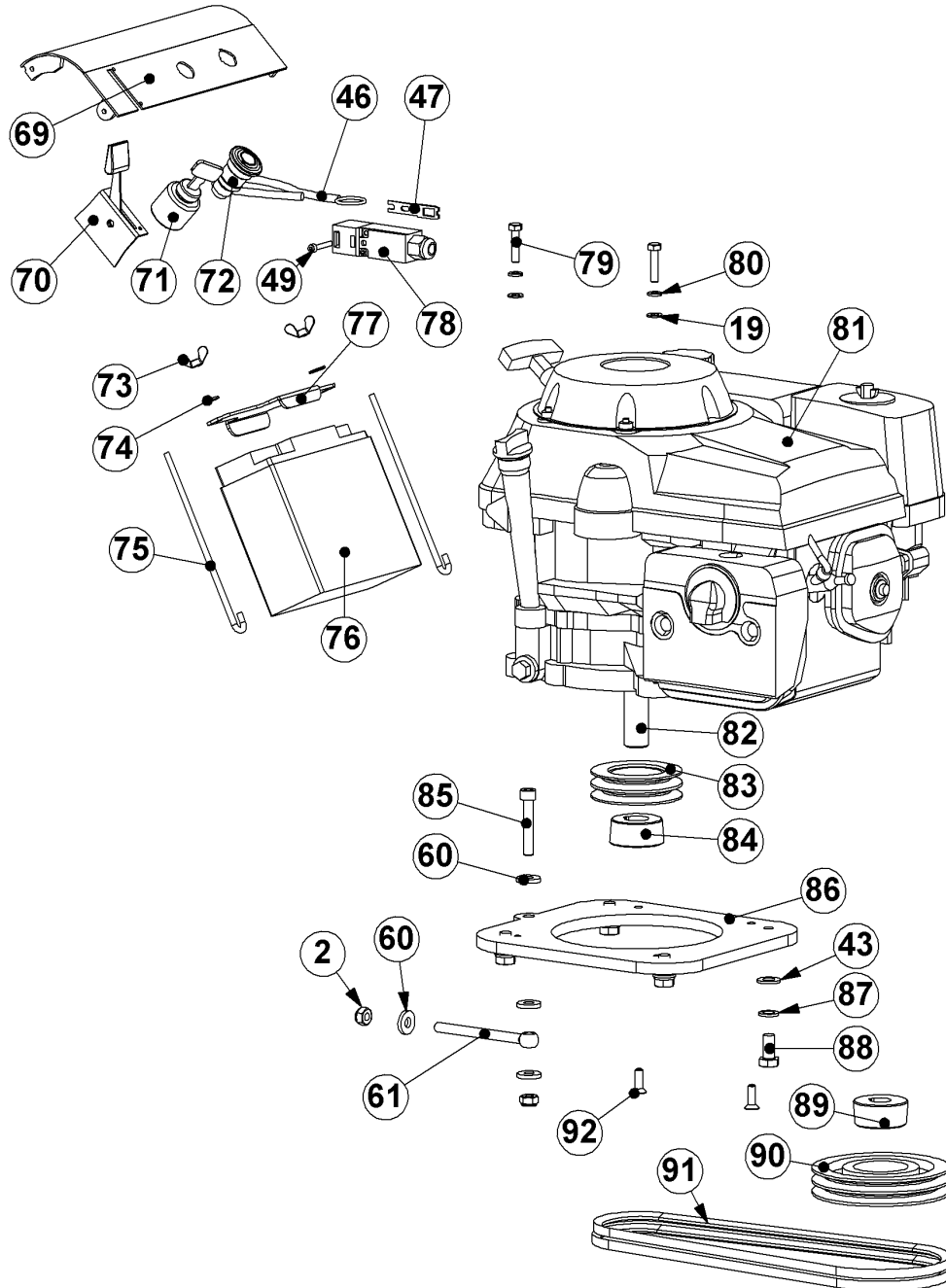




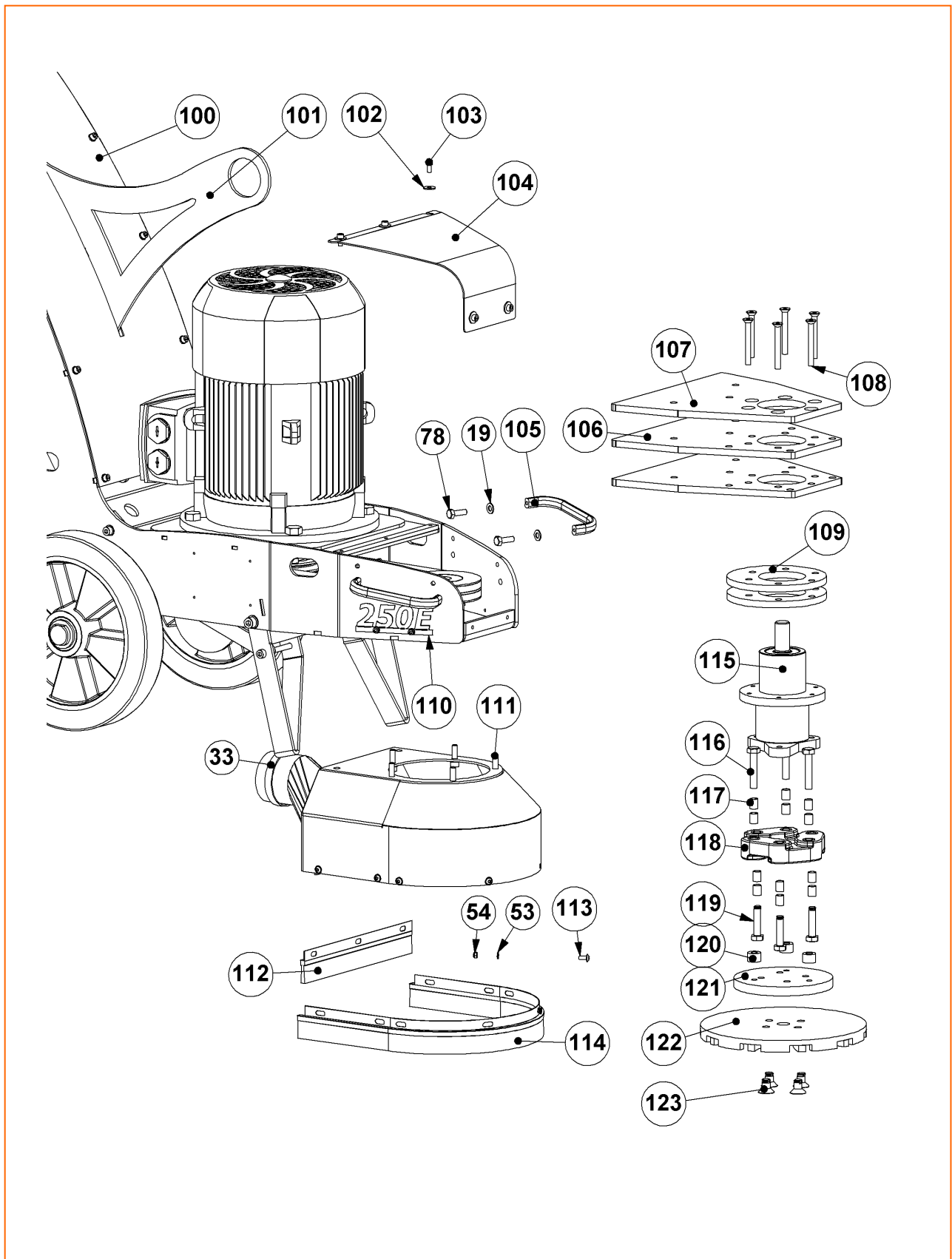
Item	Blastrac Part number	HQV Part number	Description	Remarks	Qty.
45	E07357	533252901	Top cover		1
46					
47					
48					
49					
50	P005084	534190001	Electrical control panel	230V-60Hz	1
51	BE0183	534691201	M5x25 inbus bolt	DIN 912	2
52	E00709	533651101	Shock absorbing plate		1
53	BE0317	534689301	M5x15x1.2 washer	DIN 9021	2
54	BE0272	534689201	M5 lock nut	DIN 985	2
55	BE0670	534686101	M14x45 hexagon bolt	DIN 933	4
56					
57	CP-10389	533930401	Motor 230V/60Hz /		1
58	DG12	533256001	Motor pulley	60Hz	1
59	06300025	533627201	Motor taperlock		1
60	BE0671	-	M10x50 countersunk screw	DIN 7991	1
61	BE0013	-	M10x25x4 heavy washer	DIN 7349	3
62	BE0672	533698301	M10x120 eye bolt	DIN 444LB	1
63	CP-10404	533354901	Drive belt	60Hz	2
64	E08738	534035401	Motor plate		1
65	BE0121	534684901	M14 washer	DIN 125-1A	4
66	BE0120	-	M14 lock nut	DIN 985	4
67	CP-10403	533729401	Bearinghouse taperlock		1
68	CP-10402	531490301	Bearinghouse pulley		1

**For more information about the electrical parts and their part numbers, see electric schedule in back of the service manual.**





Item	Blastrac Part number	HQV Part number	Description	Remarks	Qty.
69	E07390	533252801	Top cover BGP		1
70	E07396/6	533778101	Gas throttle including cable		1
71	E07396/4	533484401	Contact switch		1
72	E07396/5	534031201	Emergency stop button complete		1
	E07396/8	-	Contact block	NO	1
73	BE0292	533817701	M6 wing nut	DIN 315	2
74	BE0022	534691401	M6x18x1.6 washer	DIN 9021	2
75	E07467	533204201	J-hook for battery		2
76	E07396/1	533213901	12V battery		1
77	E07205	533447701	Mounting bracket battery		1
78	E07466	533889401	Deadman switch for P-versions	NO/NC	1
79	BE0015	534695301	M8x35 hexagon bolt	DIN 933	2
80	BE0005	534693901	M8 spring washer	DIN 127B	2
81	P003649	533079701	13HP Honda gas motor		1
82	E04750	533636801	Key for Honda motor		1
83	DG14	531490201	Motor pulley		1
84	E03188	534899601	Motor taperlock		1
85	BE0197	533655101	M10x60 inbus bolt	DIN 912	1
86	E08738	534035401	Motor plate		1
87	BE0027	533288701	M12 spring lock washer	DIN 127B	4
88	BE0372	534683601	M12x25 hexagon bolt	DIN 933	4
89	DG13	533892401	Bearinghouse taperlock		1
90	DG12	533256001	Bearinghouse pulley		1
91	DG16	533317801	Drive belt		2
92	BE0663	534248801	3/8 x 1" hexagon bolt		2
	E07396/7	531486801	Cable loom for BG-20P		1
	333-3573	-	Fuse 10A		1
46	BG11758	533810801	Cord for deadman switch		1
47	BG11759	533289101	Key for deadman switch		1
49	BE0184	534691301	M5x30 inbus bolt	DIN 912	2

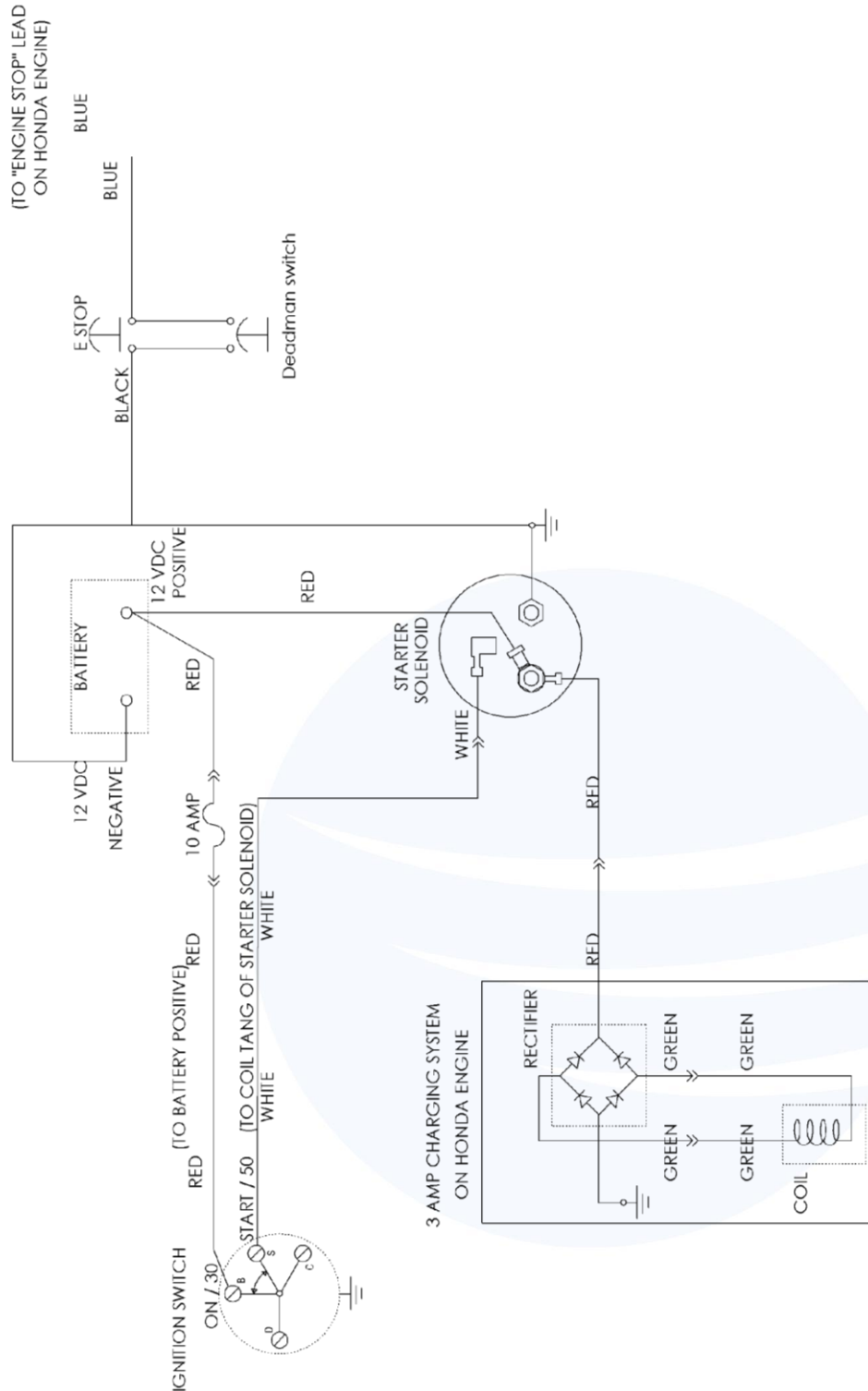


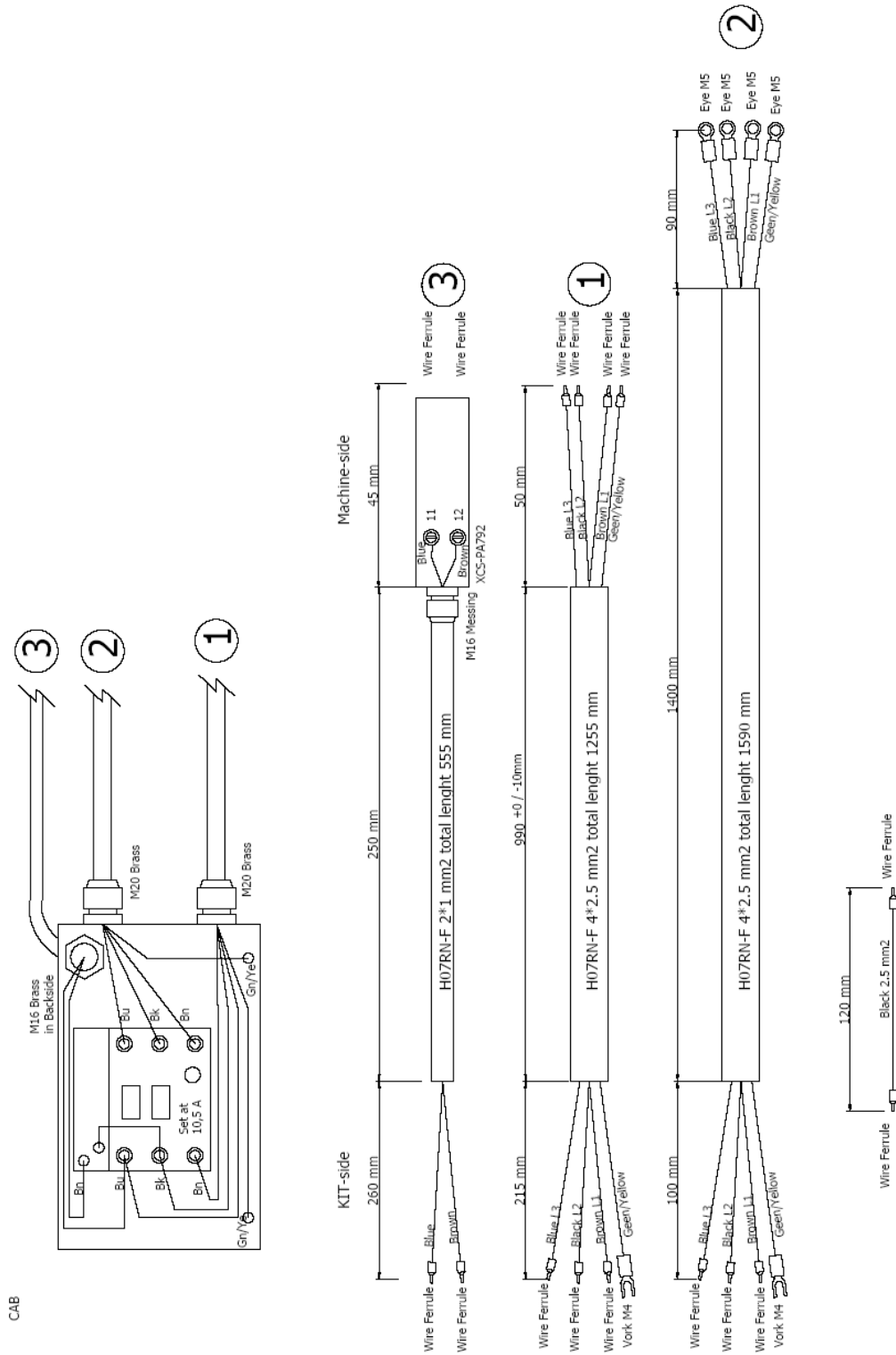
Item	Blastrac Part number	HQV Part number	Description	Remarks	Qty.
100	E07336-BL	533543301	Front plate blue		1
101	E07288	534589101	Frame BG-250		1
102	BE0022	534691401	M6x18x1,6 washer	DIN 9021	5
103	BE0187	534692001	M6x12 inbus bolt	DIN 912	5
104	E07345-BL	533638301	Front cover blue		1
105	970385	533170201	Lifting handle		2
106	E07340	535268501	Weight plate		2
107	E07377	535268601	Top weight plate		1
108	BE0673	534695701	M8x70 countersunk screw	DIN 7991	6
109	E07339	535176101	Fill up plate		2
110	E07382-BL	533435001	250E logo blue		2
	E07383-BL	533066201	250P logo blue		2
111	BE0012	533615001	M8x25 inbus	DIN 912	7
112	E07379	535909901	Brush seal back		1
113	BE0668	534451301	M5x12 hex socket button head screw		11
114	E07378	533461501	Brush seal front		1
115	DG10-1	533067001	Bearing unit		1
116	BE0399	534679701	M10x55 bolt	DIN 931	3
117	000118-3/bush	533599301	Bushes for flexible coupling		12
118	000118-3	533748701	Heavy duty flexible coupling		1
119	BE0398	534679301	M10x45 bolt	DIN 931	3
120	B20507	533219501	Coupling spacer bush		3
121	DG05-1	533625101	Adapter diamond disc		1
122			Grinding tool		
123	BE0099	534581301	M12x20 countersunk screw	DIN 7991	4

## 2. Electric schedules

Electric circuit diagram E07396/7

BG-250G – 13HP

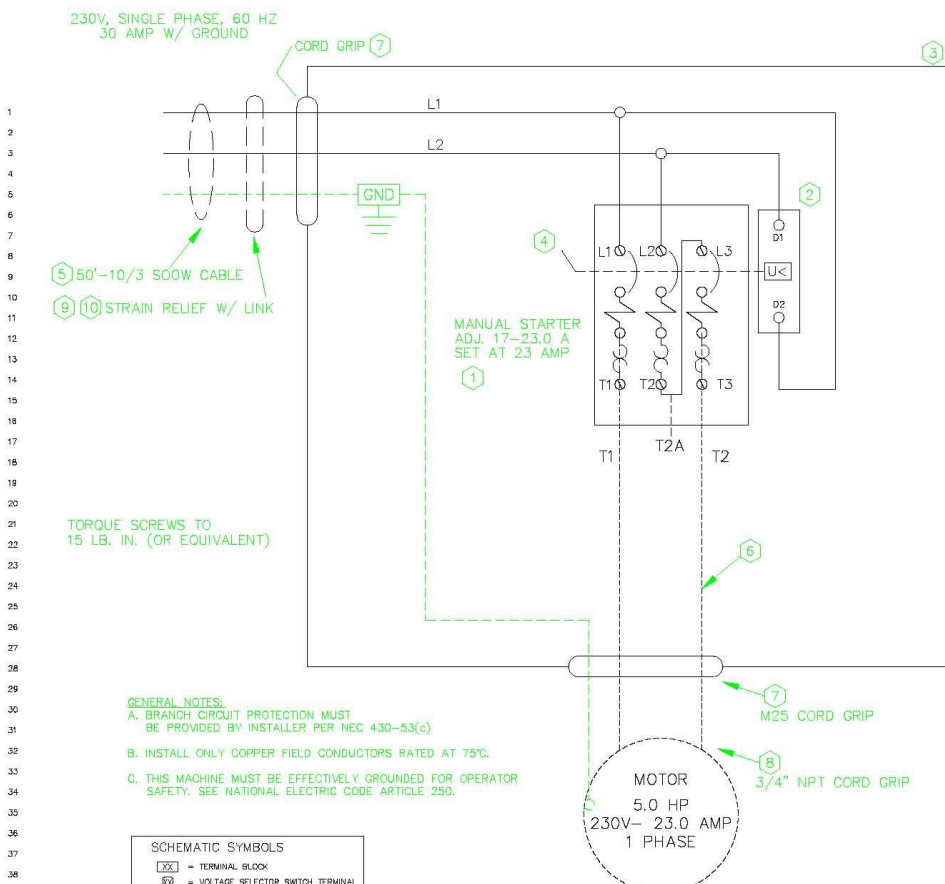






## BG-E 250 VER 2 CONTROL PANEL FOR 230V/60Hz 1 PHASE

TOTAL FLA	LARGEST MOTOR FLA	SUPPLY VOLTAGE
23.0 AMPS	23.0 AMPS	230V
PHASE - 1	ENCLOSURE - TYPE 1	
HERTZ - 60	MODEL - BG-E 250/1 VER 2	
MAX. BRANCH CIRCUIT PROTECTION	30 AMPS	
SHORT CIRCUIT CURRENT:	10 kA RMS SYMMETRICAL, 230 V MAXIMUM	



- GENERAL NOTES:**
- A. BRANCH CIRCUIT PROTECTION MUST BE PROVIDED BY INSTALLER PER NEC 430-53(c).
  - B. INSTALL ONLY COPPER FIELD CONDUCTORS RATED AT 75°C.
  - C. THIS MACHINE MUST BE EFFECTIVELY GROUNDED FOR OPERATOR SAFETY. SEE NATIONAL ELECTRIC CODE ARTICLE 250.

**SCHEMATIC SYMBOLS**

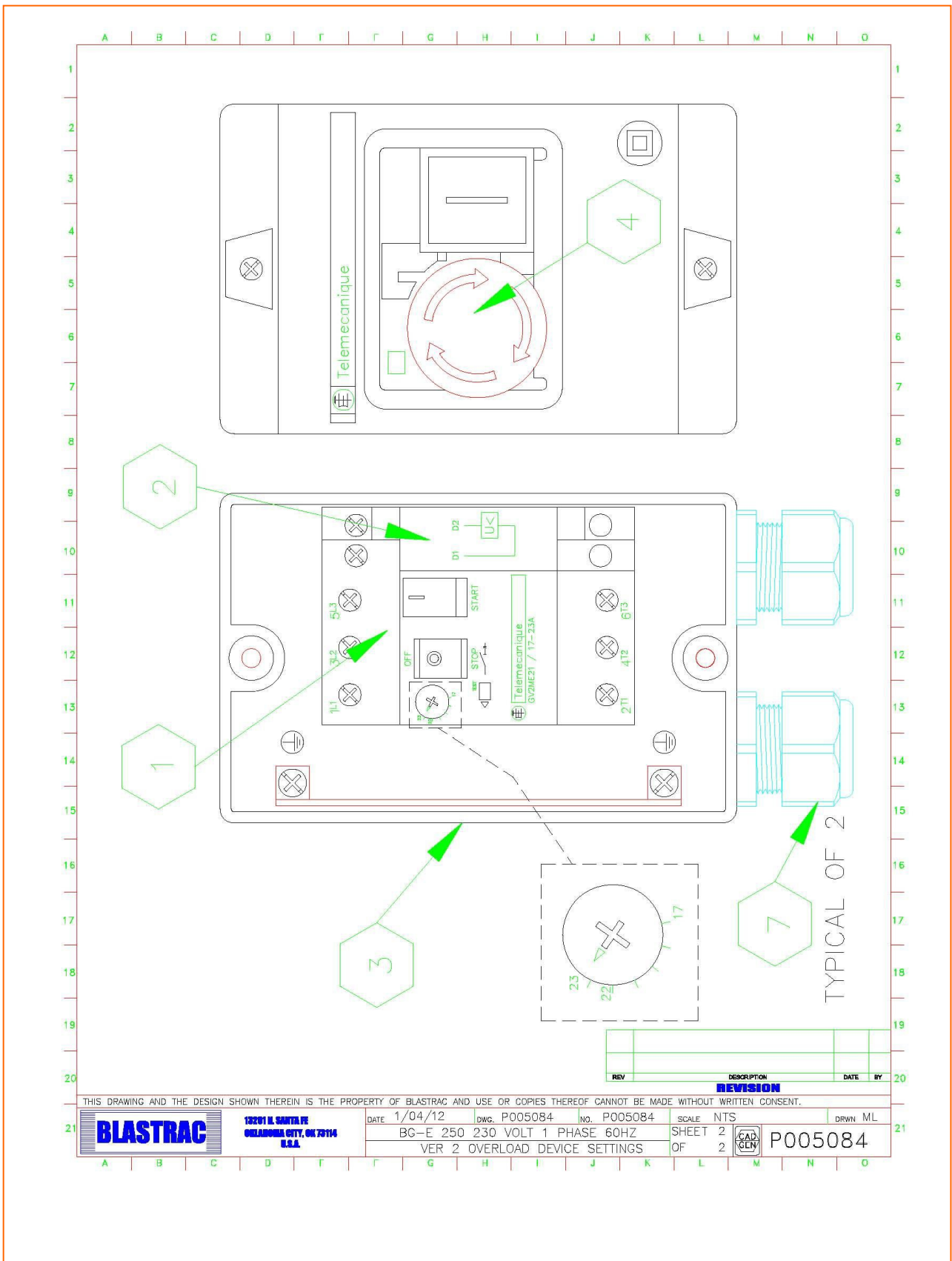
	= TERMINAL BLOCK
	= VOLTAGE SELECTOR SWITCH TERMINAL
	= ELECTRICAL JUNCTION
	= COMPONENT TERMINAL AND NUMBER
	= WIRE NUMBER
	= WIRE COLOR AND AWG
	= PLUG/RECP TERMINAL NUMBER
	= PUSH TO TEST PILOT LIGHT
	= WIRE EXTERNAL TO ENCLOSURE

REV	DESCRIPTION	DATE	BY
<b>REVISION</b>			

THIS DRAWING AND THE DESIGN SHOWN THEREIN IS THE PROPERTY OF BLASTRAC AND USE OR COPIES THEREOF CANNOT BE MADE WITHOUT WRITTEN CONSENT.

	13201 N. SANTA FE OKLAHOMA CITY, OK 73114 U.S.A.	DATE 1/04/12	DWG. P005084	NO. P005084	SCALE NTS	DRWN. ML
		BG-E 250 230 VOLT 1 PHASE 60 Hz. VER 2 SCHEMATIC			SHEET 2 OF 2	





THIS DRAWING AND THE DESIGN SHOWN THEREIN IS THE PROPERTY OF BLASTRAC AND USE OR COPIES THEREOF CANNOT BE MADE WITHOUT WRITTEN CONSENT.

REV	DESCRIPTION	DATE	BY
<b>REVISION</b>			

<b>BLASTRAC</b>	12201 N. SANTA FE OKLAHOMA CITY, OK 73114 U.S.A.	DATE 1/04/12	DWG. P005084	NO. P005084	SCALE NTS	DRWN ML
BG-E 250 230 VOLT 1 PHASE 60HZ			SHEET 2			P005084
VER 2 OVERLOAD DEVICE SETTINGS			OF 2			

ITEM	QTY	Blastrac Part number	HQV Part number	DESCRIPTION
1	1	P003744	533943101	MOTOR PROTECTOR, 17-23 AMPS
2	1	P003745	533893201	UNDERVOLTAGE TRIP, 230 VAC 60 Hz
3	1	P003741	533951201	SURFACE MOUNT ENCLOSURE
4	1	P003740	533759601	MUSHROOM HEAD STOP BUTTON, TWIST RELEASE
5	50	P002254	534060901	WIRE, 10AWG, 3 CONDUCTOR TYPE SO
6	5	P003748	-	WIRE, 10/3 TYPE SOOW CORD - 5' SECTION, .655
7	2	P003739	533681101	CORD GRIP M25, .70 MAX DIA W/ LOCK NUT, ALTECH PN5308943/7211977
8	1	P003097	534021101	CORD GRIP, 3/4" W/LOCK NUT, .35 - .7" CABLE DIA
9	1	7146570	533978501	STRAIN RELIEF, DOUBLE EYELET, .75 CORD DIA
10	1	P000329	533879201	LINK, QUICK, 5/16, CLIP CLOSURE



**Blastrac**

13201 North Santa Fe Avenue

Oklahoma City, OK 73114

Tel: 800-256-3440

Fax: 405-478-8608

[www.Blastrac.com](http://www.Blastrac.com)

