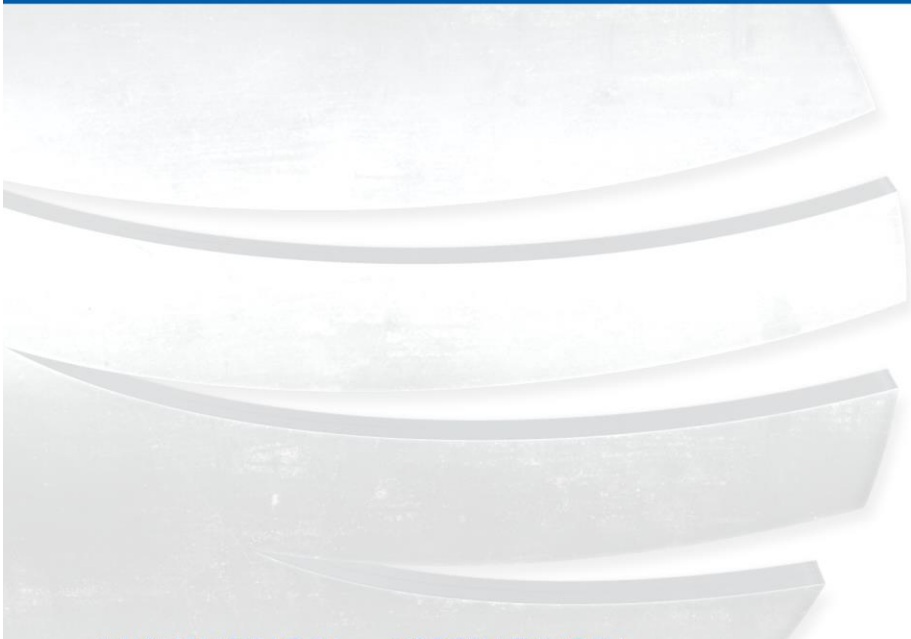




SERVICE MANUAL BMR-75D

VERSION 1.0





1. Spare parts

Fig. 01

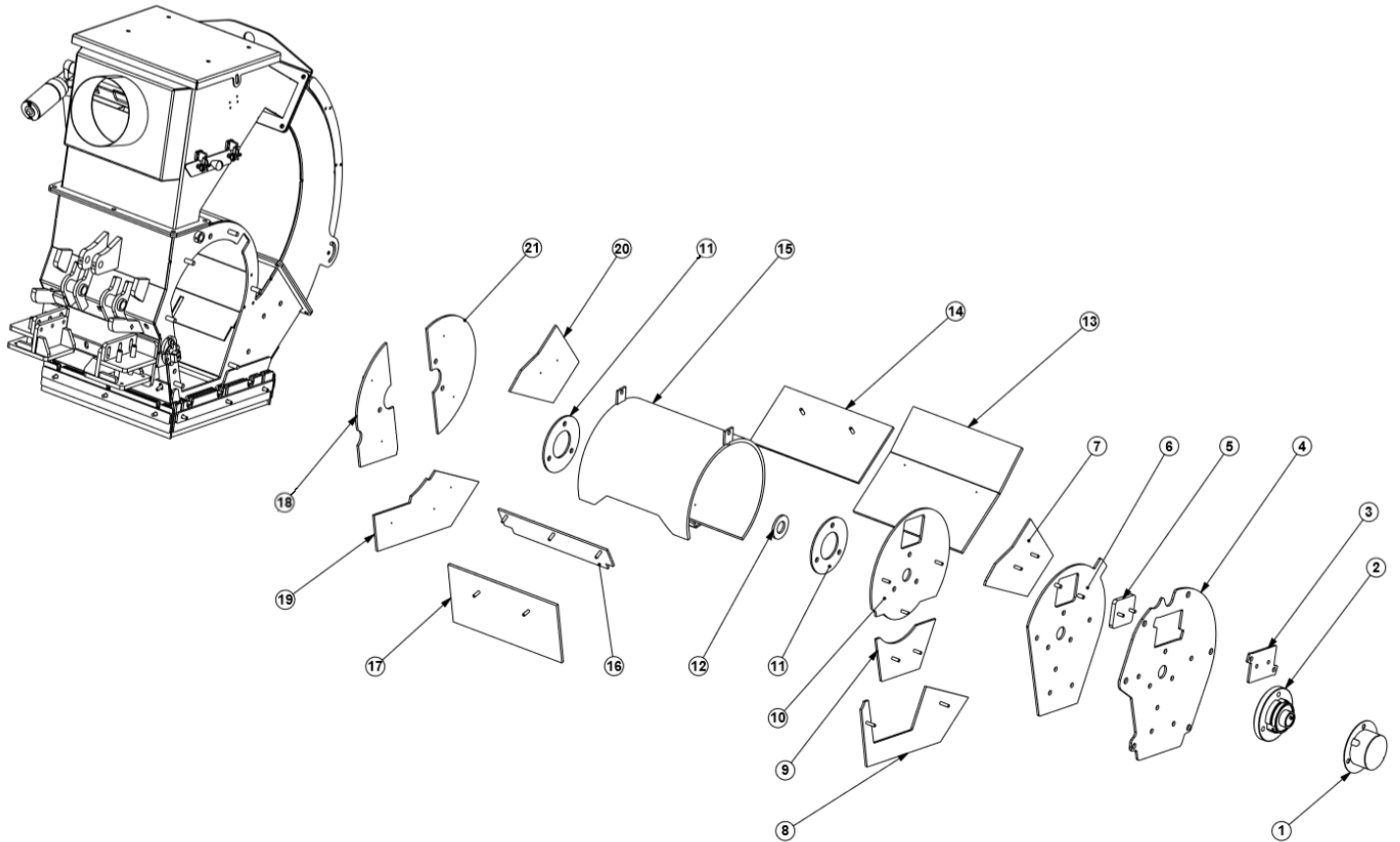




Fig. 01

Item	Blastrac Part number	HQV Part number	Description	Qty.
1	E11838	533246001	BEARING COVER	1
2	02110015	533822301	BEARING 1-7/16 3 BOLT FLANGE	2
3	E11799	535156601	COVER PLATE	1
4	E11728	535220701	OUTSIDE PLATE	1
5	E11798	533447601	MOVABLE COVER PLATE	1
6	E11803	533284401	SIDE MANI COVER	1
7	E11658	533539501	LINER MIDDLE LEFT SIDE	1
8	E11719	533539701	LINER BOTTOM LEFT SIDE	1
9	E11721	533255501	SIDE DOWN LINER	1
10	E11654	533450201	LINER TOP RIGHT SIDE	1
11	E11727	533514701	HUB POSTIONING PLATE	2
12	E11724	535164101	DISTANCE PLATE	1
13	E11720	533360701	FRONT SIDE LINER	1
14	E11657	533232701	LINER REAR TOP	1
15	E11651	533138201	DRUM HOUSING	1
16	E11652	533295701	LINER FRONT TOP	1
17	E11653	533172601	LINER BOTTOM	1
18	E11649	533513201	LINER FRONT RIGHT SIDE	1
19	E11655	533676601	LINER BOTTOM RIGHT SIDE	1
20	E11656	533539401	LINER MIDDLE RIGHT SIDE	1
21	E11650	533234301	HOUSING PLATE	1



Fig. 02

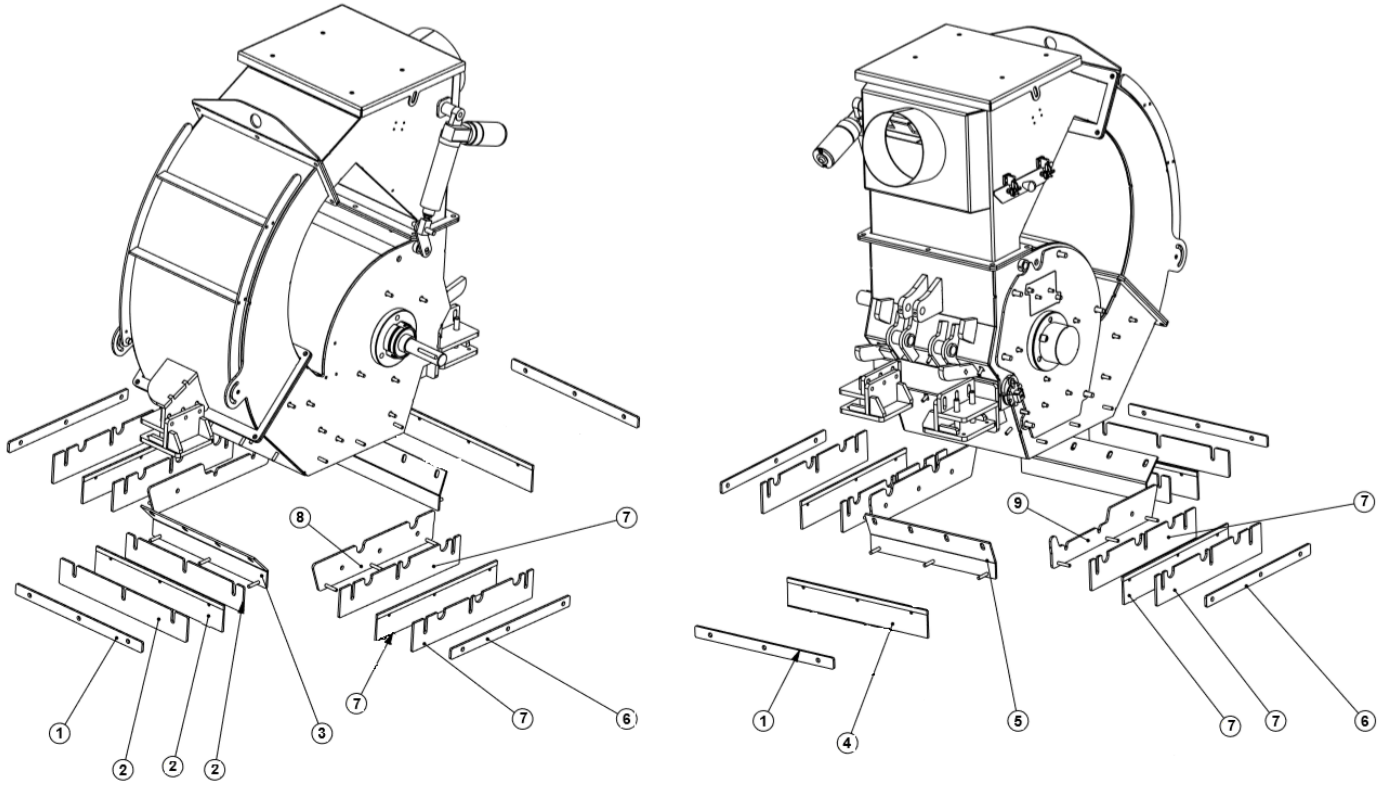




Fig. 02

Item	Blastrac Part number	HQV Part number	Description	Qty.
1	E11735	533486301	FRONT/BACK PLATE	2
2	PA-11247	533658901	FRONT SEAL AND BRUSH KIT	1
3	E11702	533594101	FRONT SEAL BRACKET	1
4	PA-11254	533179601	DRAG BRUSH	1
5	E11701	533575501	REAR SEAL BRACKET	1
6	E11731	533347801	SIDE PLATE	2
7	PA-11246	533828101	SIDE SEAL AND BRUSH KIT	2
8	E11700	533671901	LEFT SIDE SEAL BRACKET	1
9	E11699	533689701	RIGHT SIDE SEAL BRACKET	1



Fig. 03

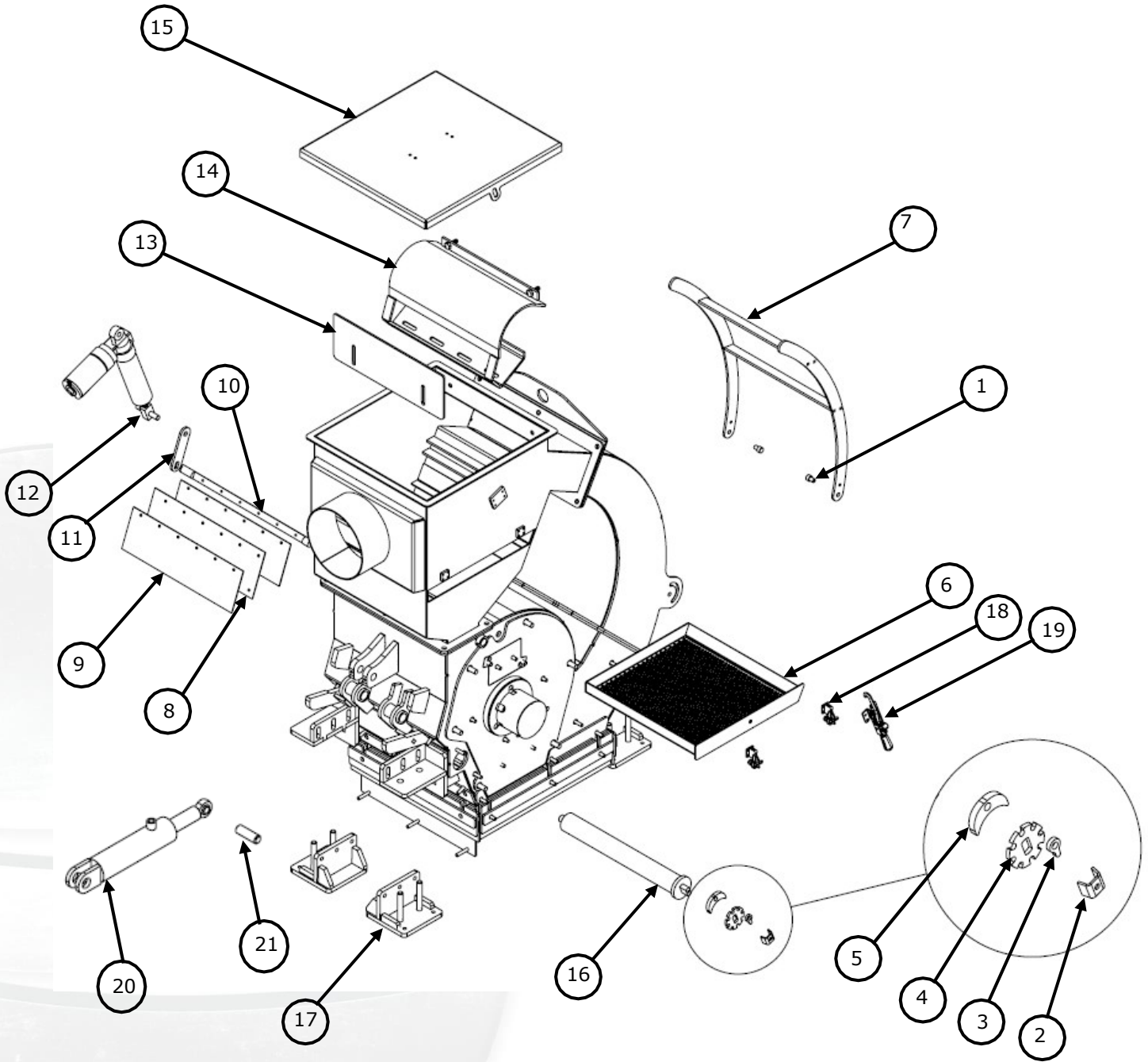
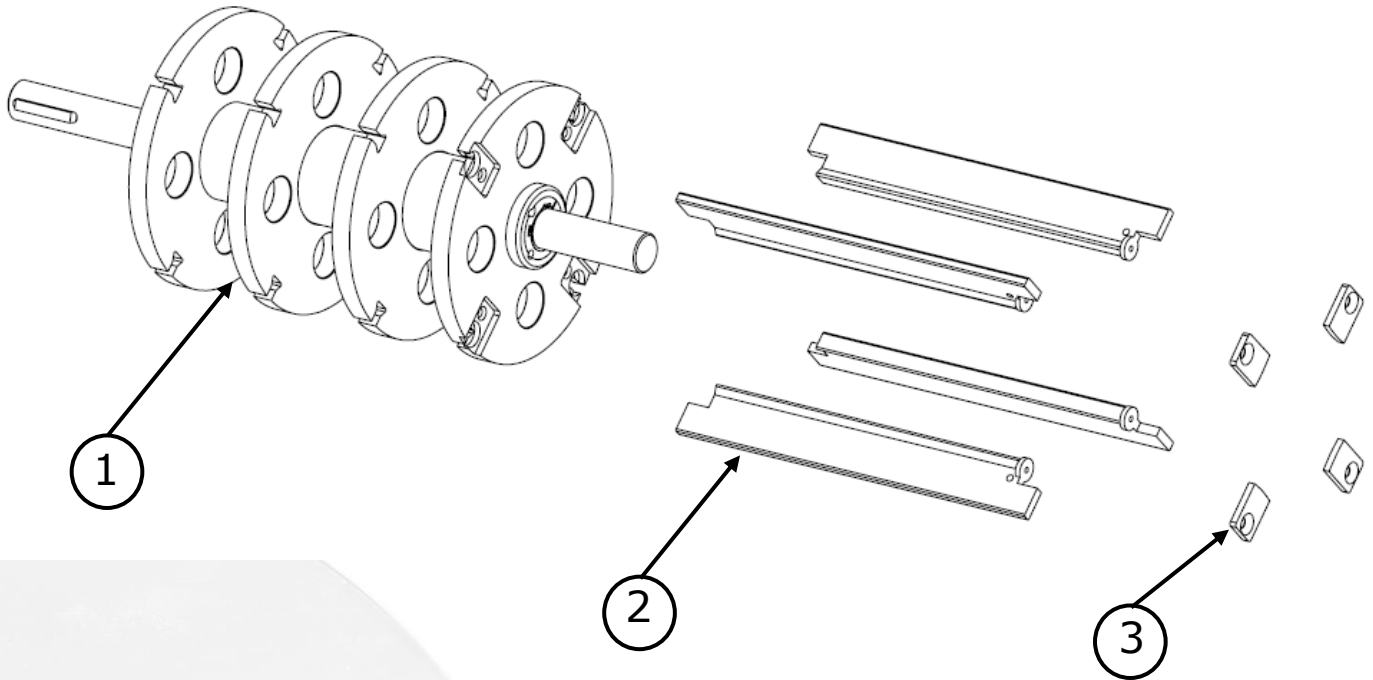




Fig. 03

Item	Blastrac Part number	HQV Part number	Description	Qty.
1	E11739	533171101	GUIDE PIVOT	2
2	E11717	535149501	CLAMP PLATE	1
3	E11716	535205101	INDEX KEEPER	1
4	E11715	535246601	INDEXER	1
5	E11714	535205401	LOCK PLATE	1
6	PG-10643	533476101	SHOT TRAY	1
7	E11736	533122901	GUIDE	1
8	E11694_3	533284601	SHOT VALVE SEAL	1
9	E11694_2	535263701	SHOT VALVE PLATE	2
10	E11694_1	533380501	SHOT VALVE SHAFT	1
11	E11660	531487601	SHOT VALVE LEVER	1
12	PA-11260	-	BLAST HEAD ACTUATOR	1
13	PG-10644	533690401	SLIDE PLATE	1
14	PG-10640	533129301	DEFLECTOR PLATE	1
15	PG-10642	533225001	TOP COVER	1
16	WP033711	533194801	PINCH BAR	1
17	E11905	533077801	BLAST HEAD CASTER BRACKET	3
18	03600001	533641801	SHOT TRAY CLAMP	2
19	4835510	533468701	LID CLAMP	2
20	CP-11038	533923401	LIFT CYLINDER	1
21	E09711	533738001	LIFT CYLINDER PIN	1

Fig. 04



**Fig. 04**

Item	Blastrac Part number	HQV Part number	Description	Qty.
1	WP123717	533358001	BLASTWHEEL/DOVETAIL	1
2	WKIT1665	533136001	DOVETAIL BLADE	4
3	WKIT1665	533136001	BLADE KEEPER	4



Fig. 05

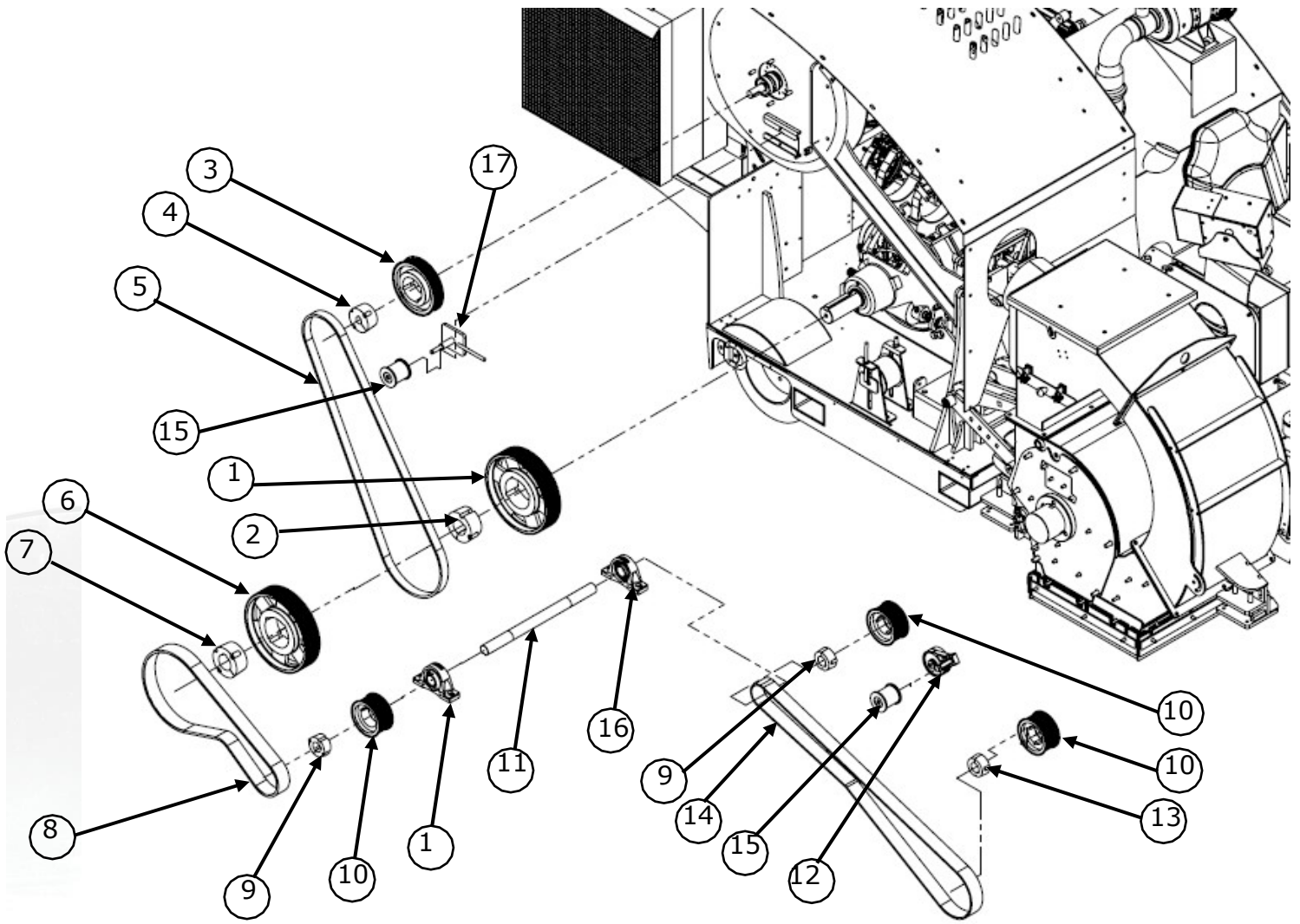




Fig. 05

Item	Blastrac Part number	HQV Part number	Description	Qty.
1	E11807	533883901	INNER PULLEY	1
2	CP-11058	533901001	TAPERLOCK INNER PULLEY	1
3	E11707	533245001	BLOWER PULLEY	1
4	E11710	533530901	TAPERLOCK BLOWER	1
5	CP-11070	533627101	BLOWER BELT	1
6	E11681	533662801	CLUTCH TO JACK SHAFT PULLEY	1
7	CP-10726	533959901	TAPERLOCK CLUTCH TO JACK SHAFT	1
8	E11742	533836401	JACK SHAFT/ CLUTCH BELT	1
9	E11704	533503301	TAPERLOCK JACK SHAFT	2
10	E11703	533845601	JACK SHAFT/ BLASTHEAD PULLEY	3
11	E11697	533067201	JACK SHAFT	1
12	E11821	-	TENSIONER	1
13	CP-11071	533282901	TAPERLOCK BLAST HEAD	1
14	CP-11069	533733901	BLAST HEAD BELT	1
15	PG-10636	533471301	TENSIONER IDLER	2
16	E11696	533496201	JACKSHAFT BEARING	2
17	PG-10645	533670601	TENSIONER BRACKET	1

Fig. 06

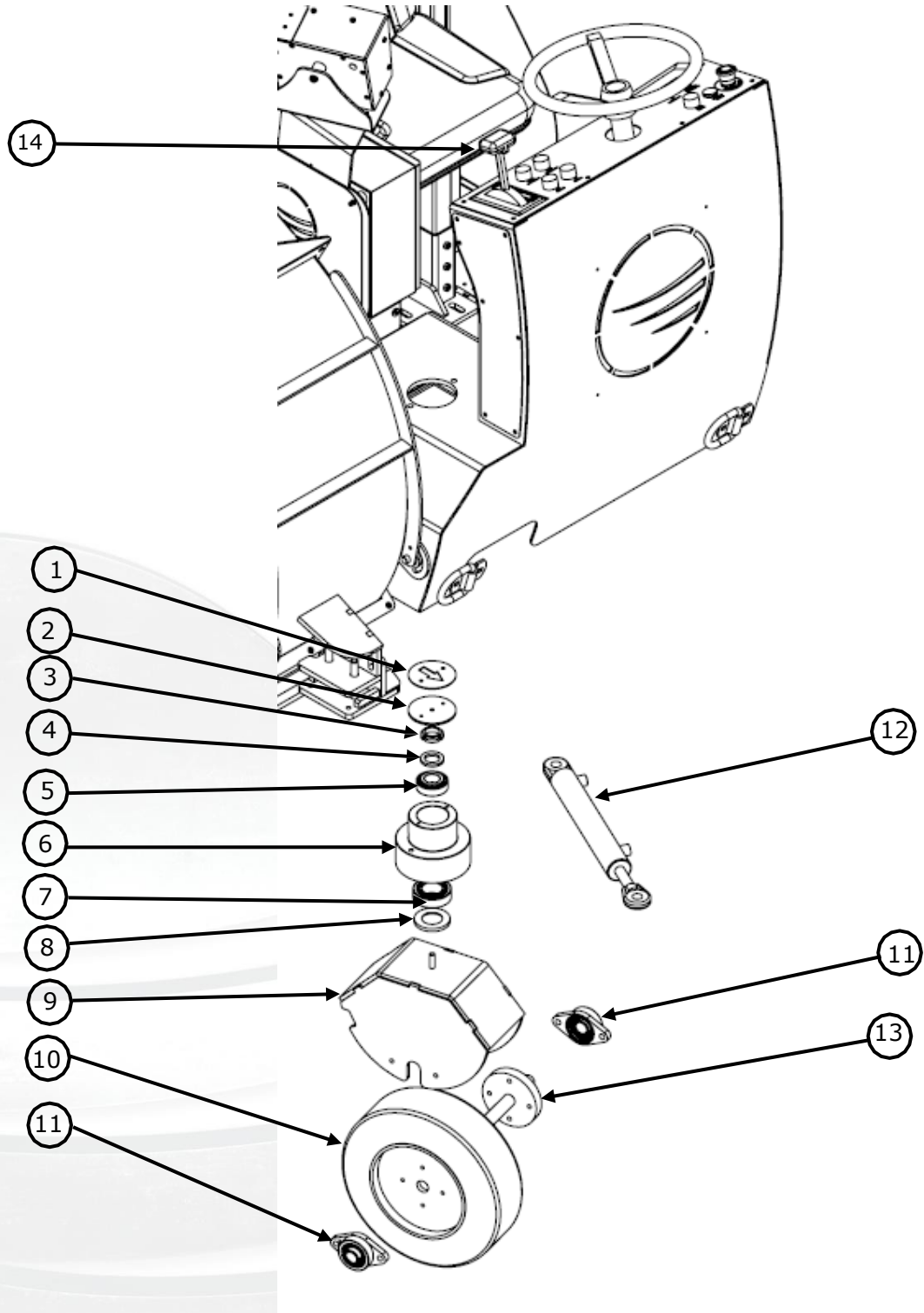




Fig. 06

Item	Blastrac Part number	HQV Part number	Description	Qty.
1	E11840	535167701	DRIVING MARKER	1
2	E11839	535094801	BEARING HOUSING COVER	1
3	BE0677	533475001	M30-1.5 SHAFT NUT	1
4	E07787	533345701	SPACER RING	1
5	CP-11078	533729601	TAPERED BEARING ID 30mm	1
6	E07784	533616901	FRONT WHEEL BEARING HOUSING	1
7	CP-11079	533729501	TAPERED BEARING ID 40mm	1
8	E07786	533671401	SPACER RING	1
9	E11678	533739601	FRONT WHEEL BRACKET	1
10	PG-10633	533658801	FRONT WHEEL WELDMENT	1
11	CP-11025	534025301	FLANGE MOUNT BALL BEARING	2
12	E07769	533736401	STEERING CYLINDER	1
13	E11679	533068501	FRONT WHEEL AXLE	1
14	CP-10452	-	SHIFTER	1



Fig. 07

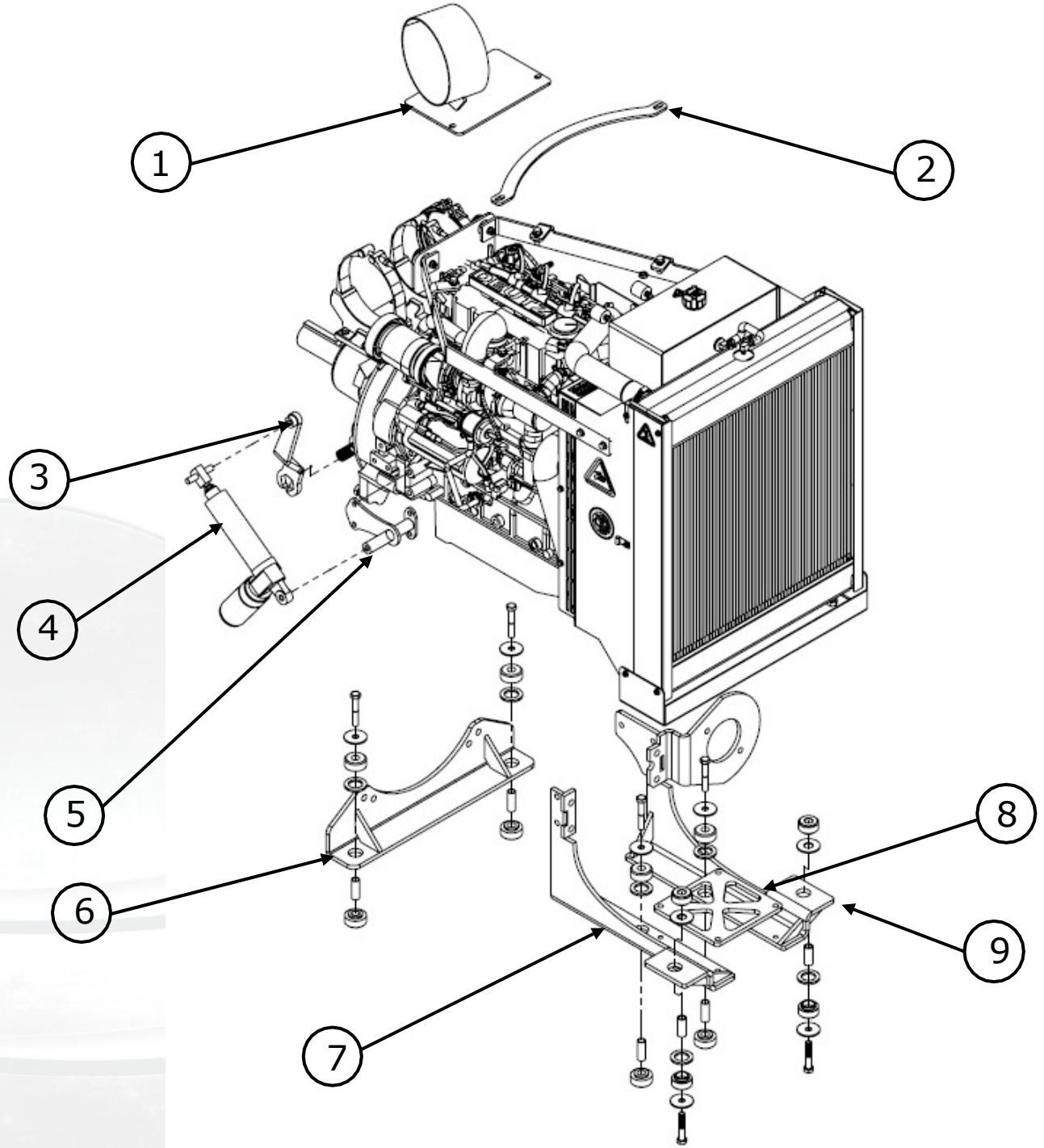




Fig. 07

Item	Blastrac Part number	HQV Part number	Description	Qty.
1	E11921	534629401	HOSE CONNECTION	1
2	E11920	535152101	ENGINE BRACE	1
3	E11927	535026401	ACTUATOR MOUNT	1
4	PA-11259	533737101	CLUTCH LINEAR ACTUATOR	1
5	E11928	533432701	ACTUATOR BRACKET	1
6	E11915	535173301	ENGINE MOUNT	1
7	E11917	535234801	RIGHT ENGINE MOUNT	1
8	E11918	535216001	MOUNTING BRACKET	1
9	E11916	535201401	LEFT ENGINE MOUNT	1



Fig. 08

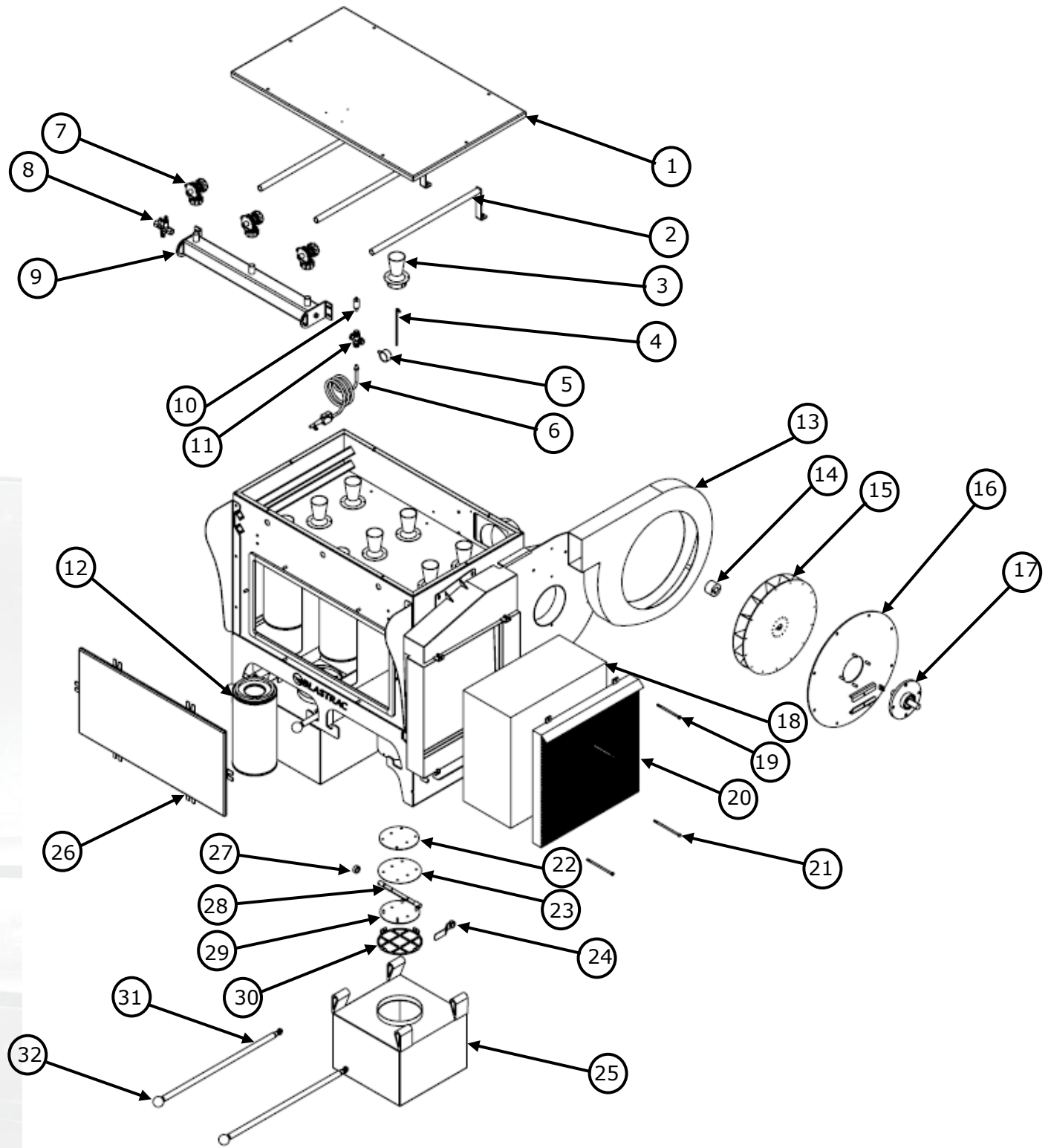




Fig. 08

Item	Blastrac Part number	HQV Part number	Description	Qty.
1	E11785	535169001	DUST COLLECTOR LID	1
2	E11669	535177601	BLOW DOWN TUBE	3
3	6749040	533669401	VENTURI	9
4	P002421	534052901	J HOOK ¼-20	9
5	1268140	533987001	PRESSURE GUAGE	1
6	6761180	533875301	BLOWGUN AND AIR HOSE	1
7	6765530	533469801	VALVE DIAPHRAGM	3
8	4906910	533988901	UNLOADER	1
9	E11676	535029001	AIR TANK	1
10	4834680	533501201	SAFETY VALVE	1
11	CP-10865	533877501	¼" FNPT PIPE CROSS	1
12	4932060-1	534053401	FILTER CARTRIDGE	9
13	E06989	533455501	FAN HOUSING	1
14	E06965	533150701	FAN HUB	1
15	E06954	533463101	BLOWER FAN	1
16	E11668	533127601	FAN COVER	1
17	E11709	533334601	BLOWER BEARING	1
18	E09795	534008001	HEPA FILTER	1
19	CP-10517	533763901	M8-1.25X140	2
20	E09793	531493901	HEPA FRONT	1
21			M8-1.25X170	2
22	E11763	535236601	VALVE SEAL MOUNT	2
23	E11762	533363401	VALVE SEAL	2
24	E11759	533424501	VALVE HANDLE	2
25	CP-10303	533467701	DUST CONTAINMENT BAG	2
26	E11675	535154501	SIDE COVER	1
27	E11929	535365801	SHAFT COLLAR	2
28	E11761	535375901	VALVE SHAFT	2
29	E11760	535236401	VALVE SEAL MOUNT	2
30	E11674	535228501	VALVE GUARD	2
31	E11673	535189601	BAG HANDLE	4
32	CP-10709	533887901	KNOB	4

Fig. 09

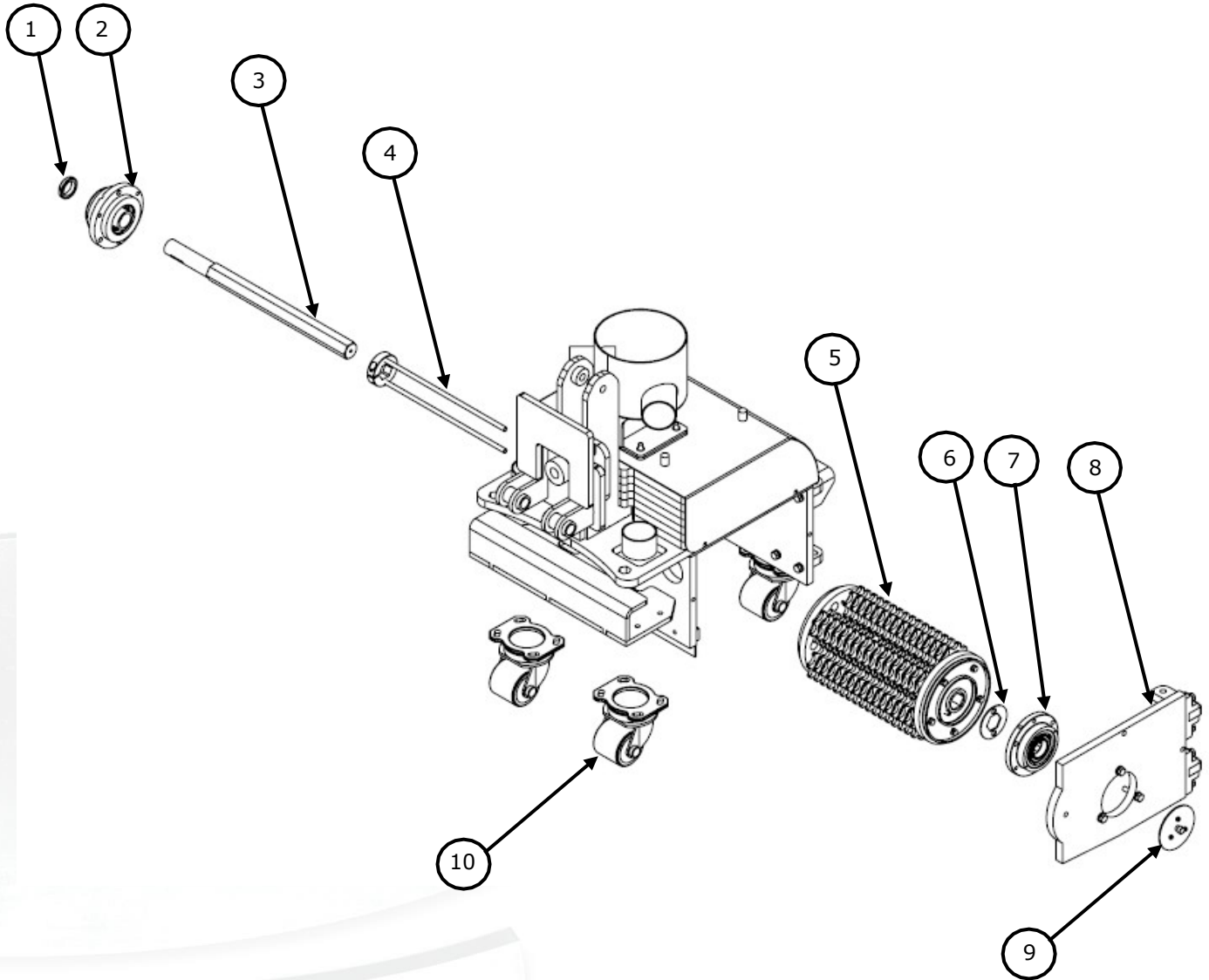




Fig. 09

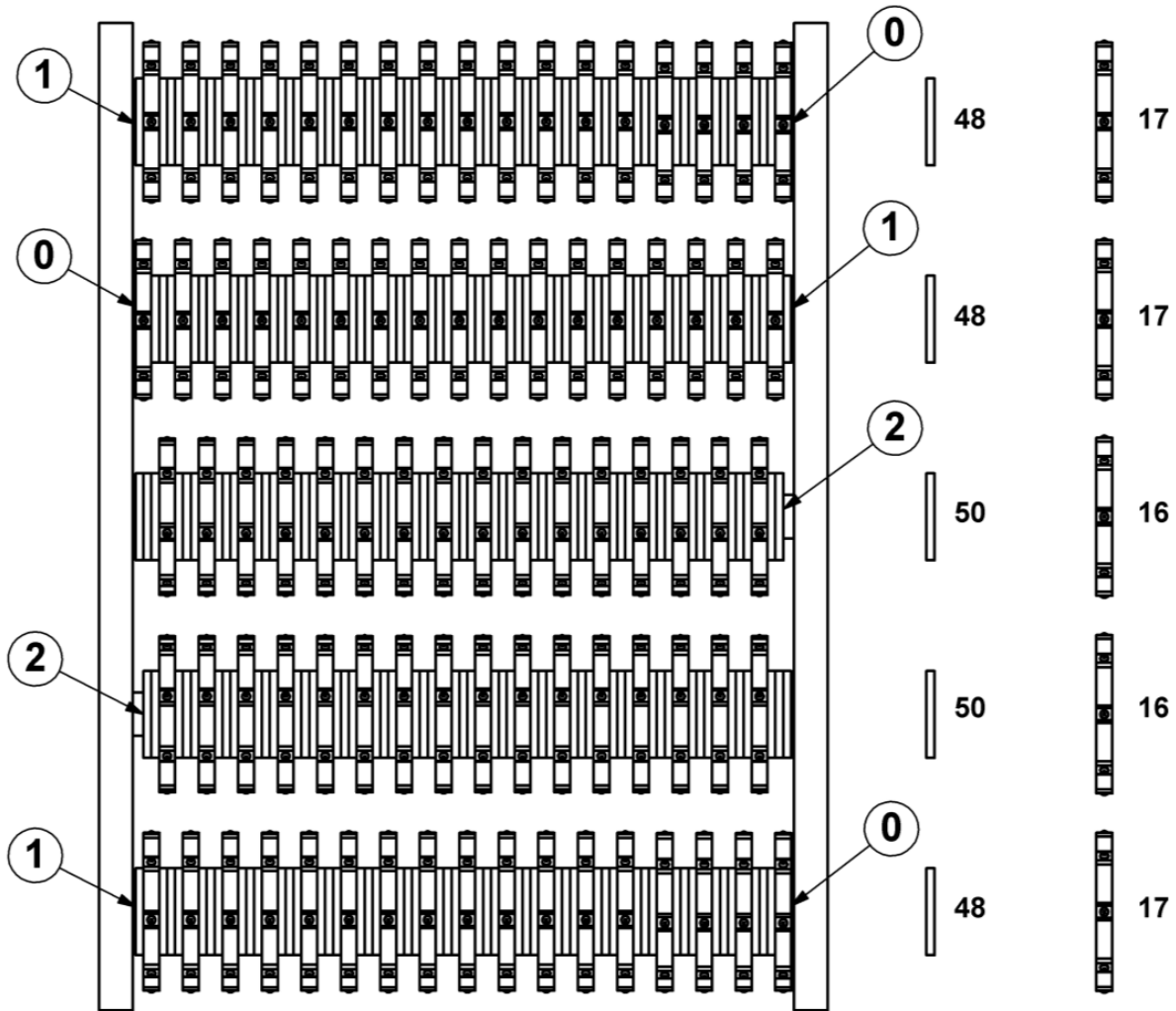
Item	Blastrac Part number	HQV Part number	Description	Qty.
1			M35X1.5 SLOTTED NUT	1
2	E07797	533248101	BEARING HOUSING	1
3	E04041	533883301	DRIVE SHAFT	1
4	E06078	533236201	GROOVING DRUM	1
5	MPD335-522L24S	534431501	SCARIFIER DRUM	1
6	E06079	533806001	WASHER SPACER	1
7	E07798	533496001	BEARING UNIT	1
8	E11856	535348001	DOOR	1
9	E06372	535199301	INSPECTION PLATE	1
10			CASTER	3





Fig. 10

3 spacer rings between cutters



Total: 244

83



MPL30



MPL24

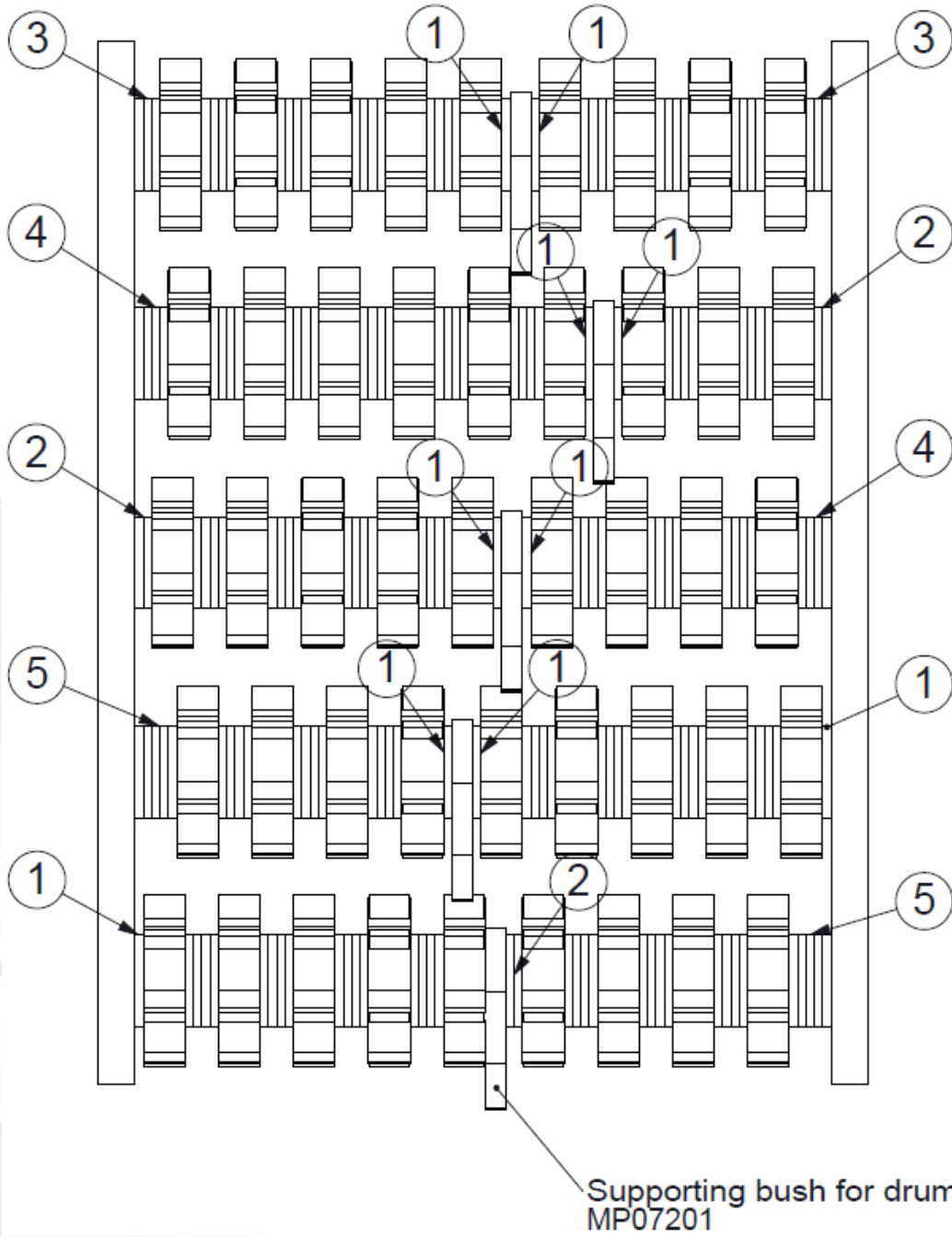
.BLASTRAC

Fig. 10

Item	Blastrac Part number	HQV Part number	Description	Qty.
	MPA335-22	534537901	DRUM SHAFT	5
	MPL 24	534420601	CUTTER	83
	MPL 30	534856501	SPACER RING	244

Fig. 11

4 spacer rings between cutters



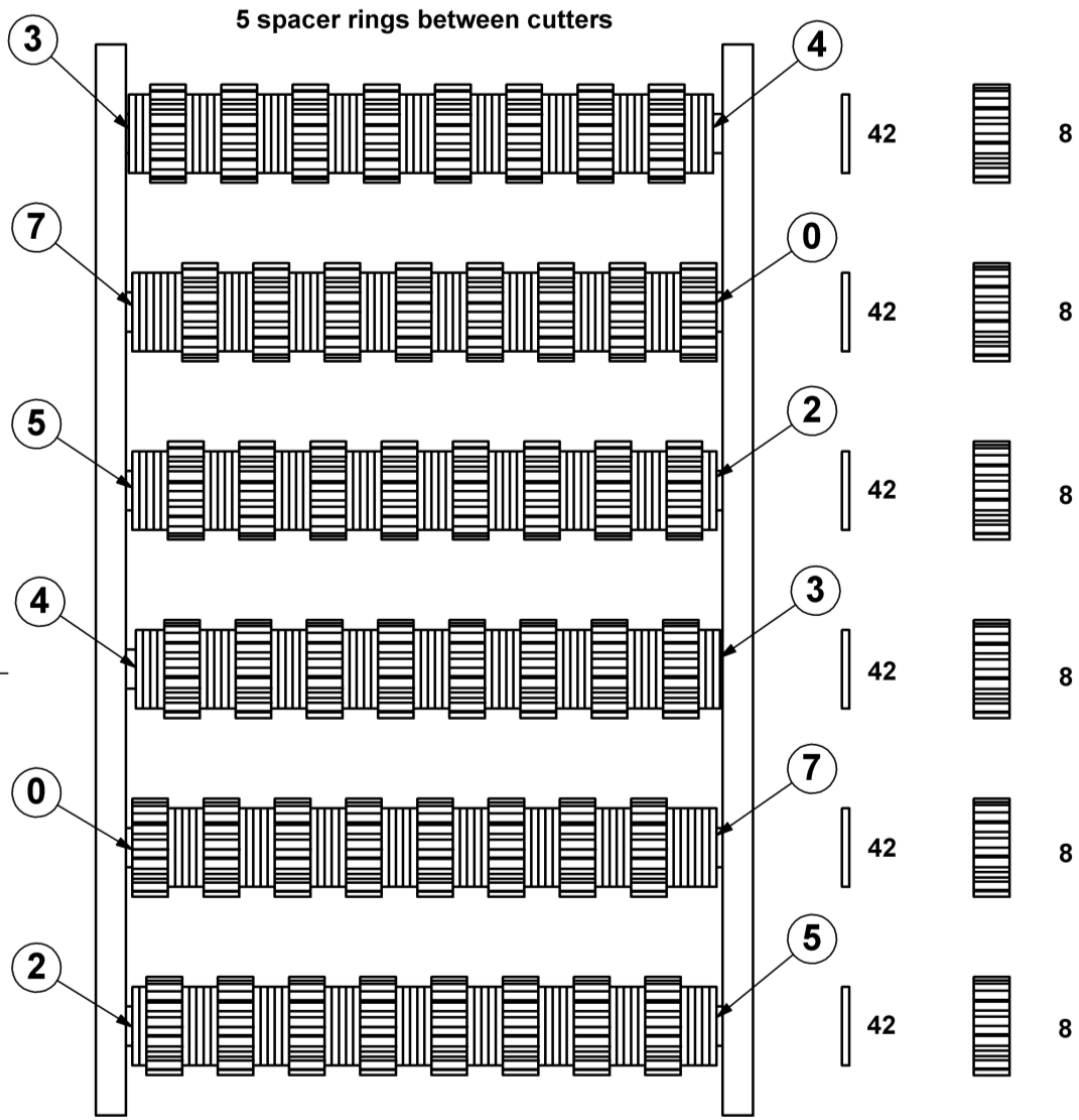
.BLASTRAC

Fig. 11

Item	Blastrac Part number	HQV Part number	Description	Qty.
	MPA335-22	534537901	DRUM SHAFT	5
	MPL 29	534706501	CUTTER	45
	MPL 30	534856501	SPACER RING	180
	MP07201	534877201	SUPPORTING BUSH	5



Fig. 12



Total: 252 48



MPL63



MPL60-1

.BLASTRAC

Fig. 12

Item	Blastrac Part number	HQV Part number	Description	Qty.
	MPA335-20	534537801	DRUM SHAFT	6
	MPL 60-1	535359001	CUTTER	48
	MPL 63	534863801	SPACER RING	252



Maintenance log

Date	Findings	Repairs / Cleaning	Test on	By (competent person)

