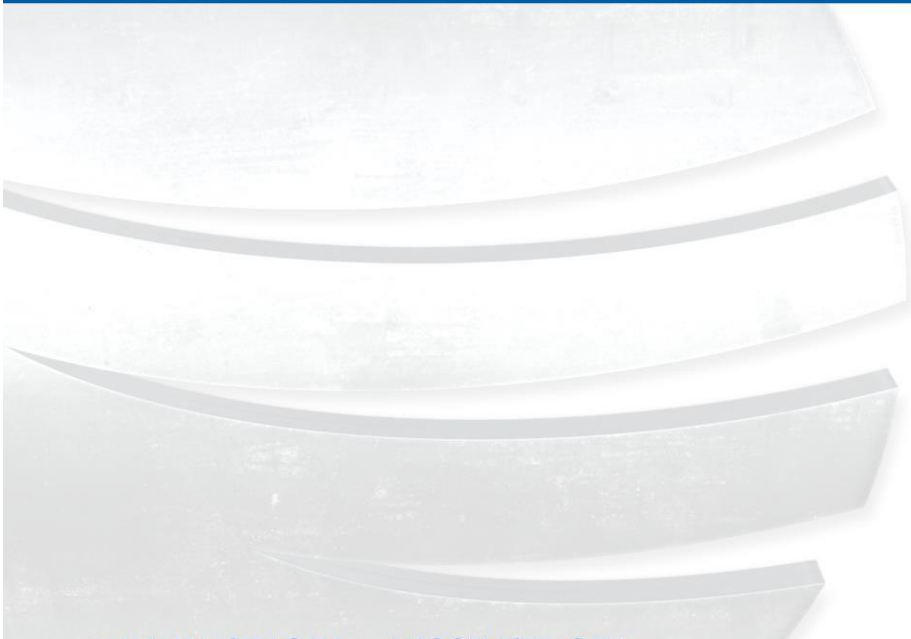




# SERVICE MANUAL BMS-280LP

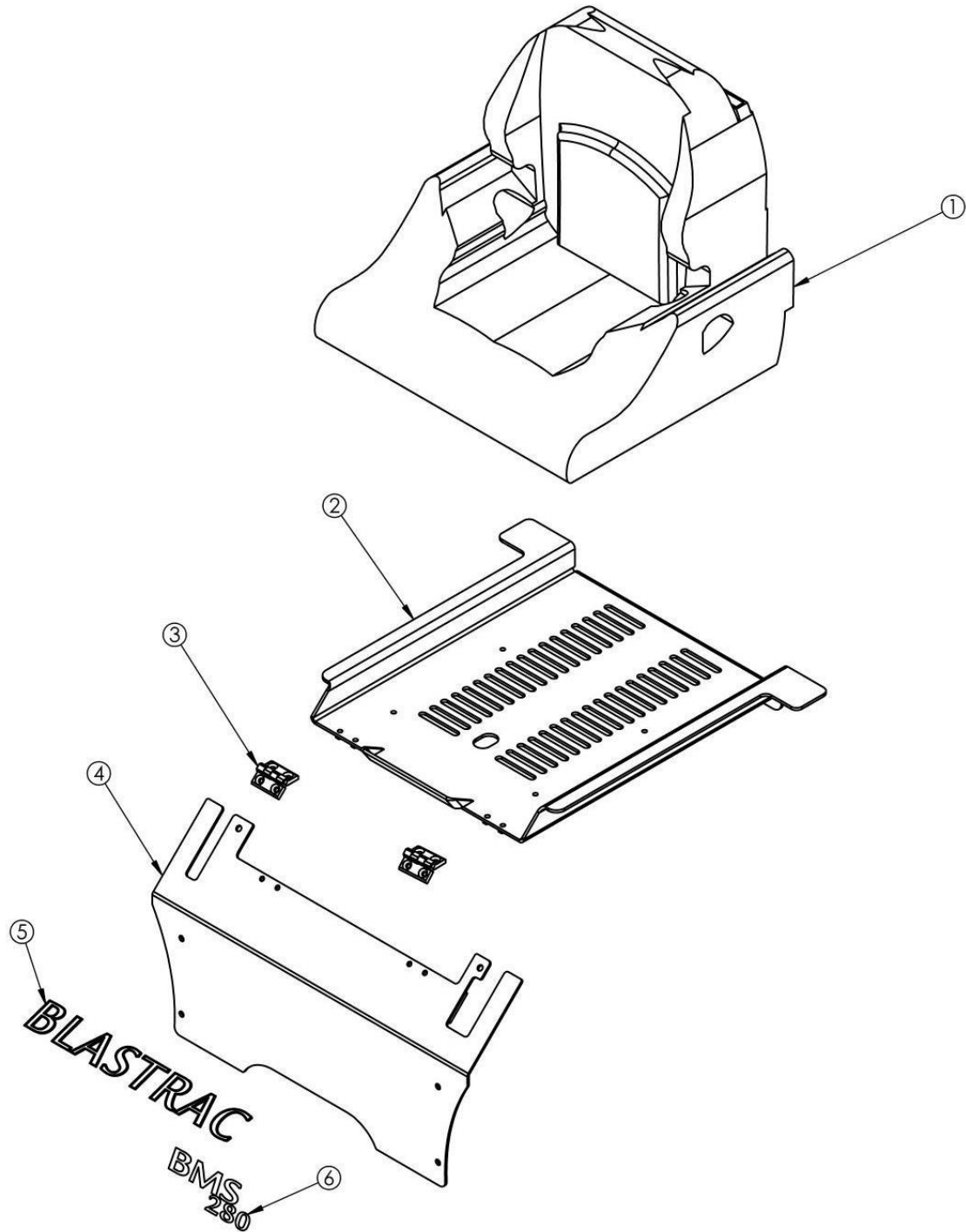
VERSION 1.1





# 1. Spare Parts

Figure 01



**Table 01**

<b>ITEM</b>	<b>BLASTRAC PN</b>	<b>HQV PN</b>	<b>DESCRIPTION</b>	<b>QTY</b>
<b>1</b>	<b>CP-10918</b>	<b>533118001</b>	<b>SEAT</b>	<b>1</b>
<b>2</b>	<b>PG-10537</b>	<b>535237501</b>	<b>SEAT PAN</b>	<b>1</b>
<b>3</b>	<b>CP-10931</b>	<b>533930901</b>	<b>BUTT HINGE</b>	<b>2</b>
<b>4</b>	<b>PA-11214</b>	<b>533236801</b>	<b>FRONT PANEL</b>	<b>1</b>
<b>5</b>	<b>CP-10944</b>	<b>533570201</b>	<b>DECAL BLASTRAC</b>	<b>1</b>
<b>6</b>	<b>CP-10945</b>	<b>533046001</b>	<b>DECAL BMS 280</b>	<b>3</b>



Figure 02

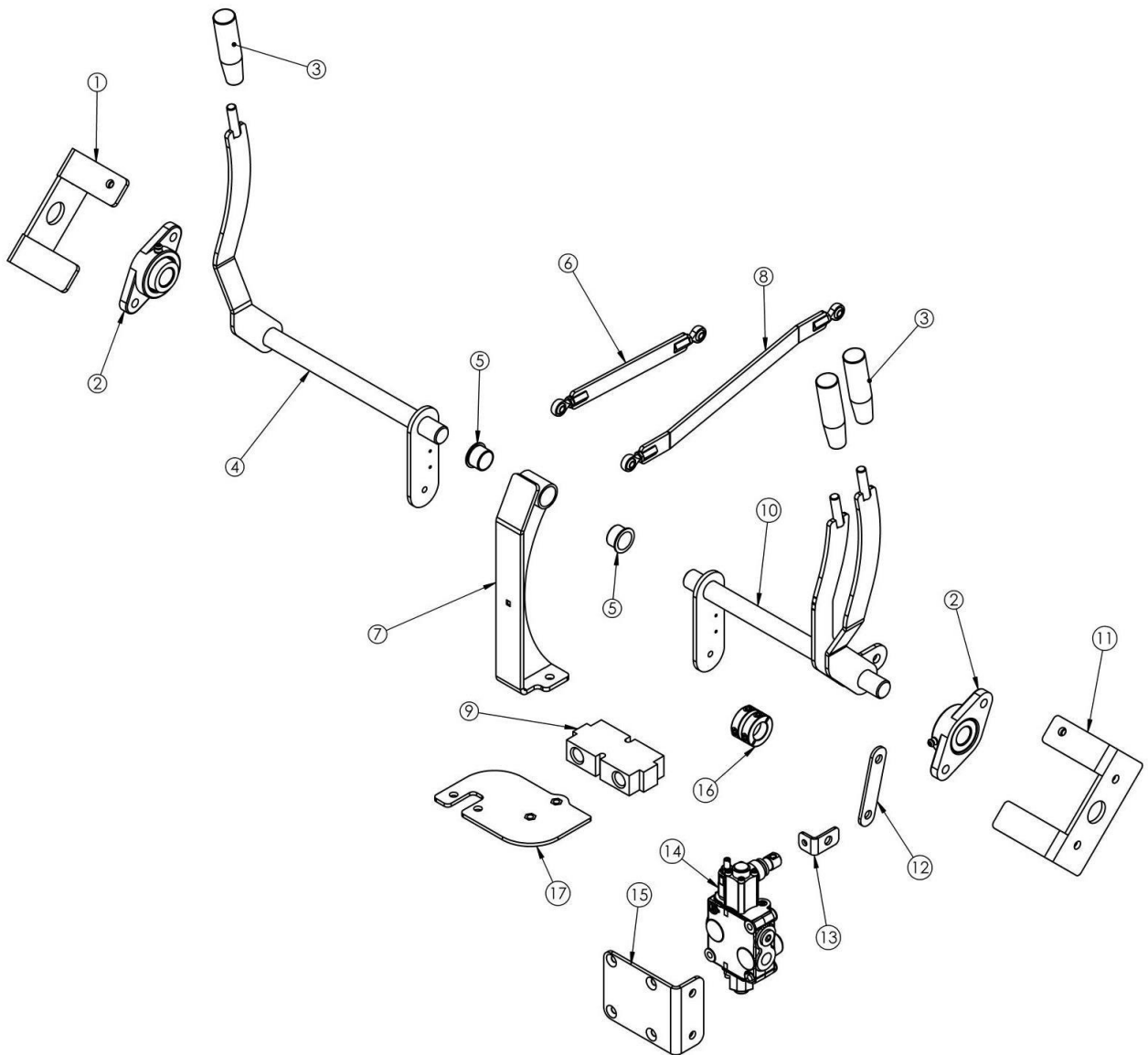




Table 02

ITEM	BLASTRAC PN	HQV PN	DESCRIPTION	QTY
1	PG-10554	533175401	HANDLE STOP RS	1
2	CP-10938	533871401	2 BOLT FLANGE BEARING	2
3	E09701	533916301	HANDLE GRIP	3
4	PG-10552	533774601	CONTROL HANDLE WELDMENT RS	1
5	E11835	533933701	FLANGED SLEEVE BEARING	2
6	PG-10716-EU	535153701	CONTROL LINKAGE ASSY SHORT	1
7	PG-10564	535191801	CONTROL HANDLE SUPPORT	1
8	PG-10717-EU	535153401	CONTROL LINKAGE ASSY LONG	1
9	P002436	534030801	PO CHECK VALVE	1
10	PG-10538	533571301	CONTROL HANDLE WELDMENT LS	1
11	PG-10546	533658501	HANDLE STOP LS	1
12	PA-11219	533263901	LINKAGE / LINK TO HANDLE	1
13	PA-11218	533232201	SPOOL VALVE LINKAGE	1
14	CP-11062	533648901	SPOOL VALVE	1
15	PG-10551	533514601	SPOOL VALVE MOUNT	1
16	CP-10939	533819401	SHAFT COLLAR	2
17	PG-10731	533736901	PO CHECK VALVE BRACKET	1



Figure 03

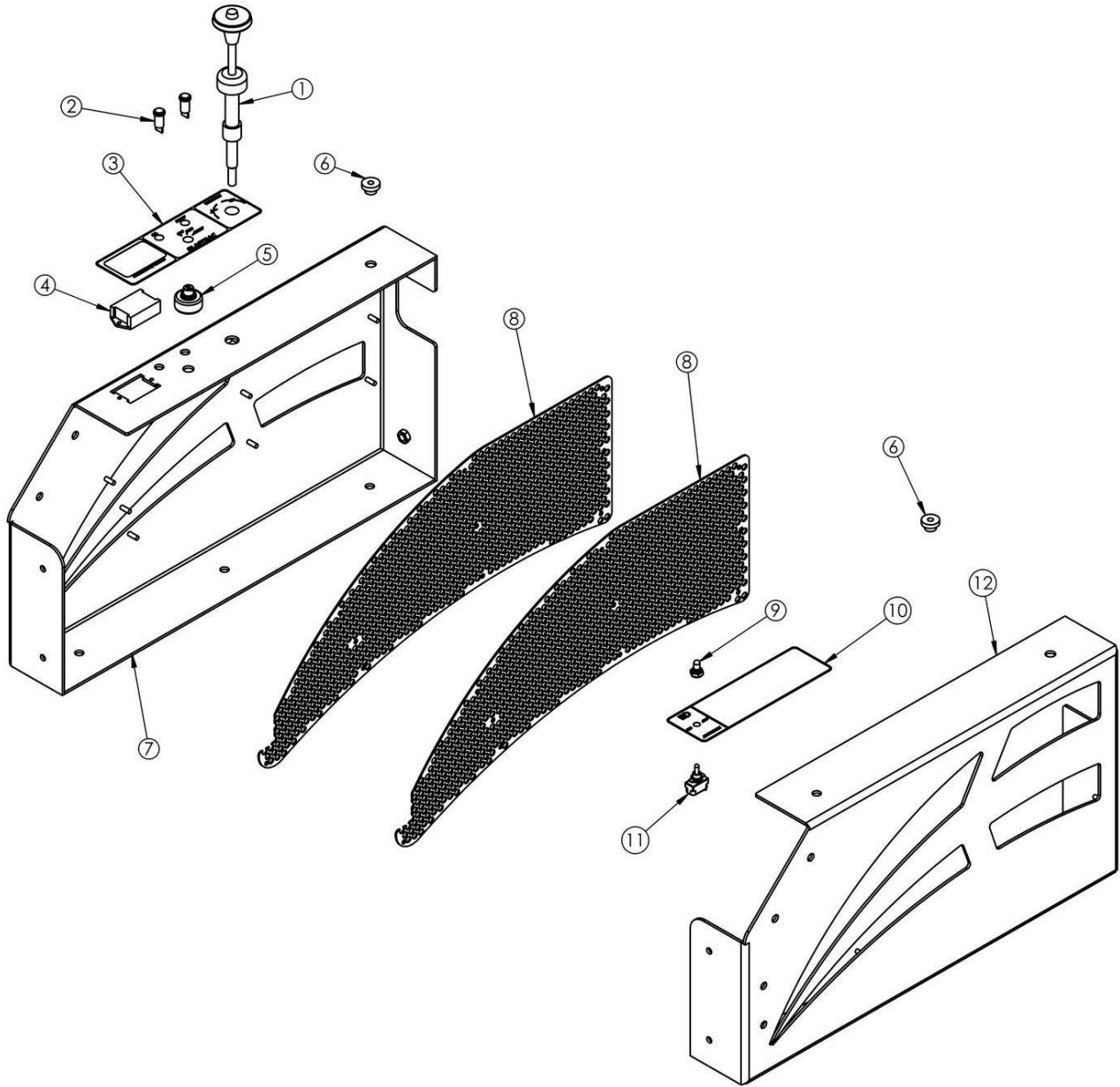




Table 03

ITEM	BLASTRAC PN	HQV PN	DESCRIPTION	QTY
1	07300001	533453701	THROTTLE CABLE	1
2	CP-10735-14	533084201	INDICATOR LIGHT	2
3	CP-10942	533546101	CONTROL DECAL	1
4	07100007	533829001	TACHOMETER	1
5	CP-10735-12	533391001	IGNITION SWITCH	1
6	CP-10950	533963601	PUSH-IN BUMPER	2
7	PG-10536	533380401	SIDE PANEL RS	1
8	PA-11215	533505401	SIDE PANEL PERFORATED	2
9	05100001	533846401	RUBBER BOOT	1
10	CP-10943	533964201	WARNING DECAL	1
11	05100002	534013401	ON/OFF SWITCH	1
12	PG-10535	533347901	SIDE PANEL LS	1

Figure 04

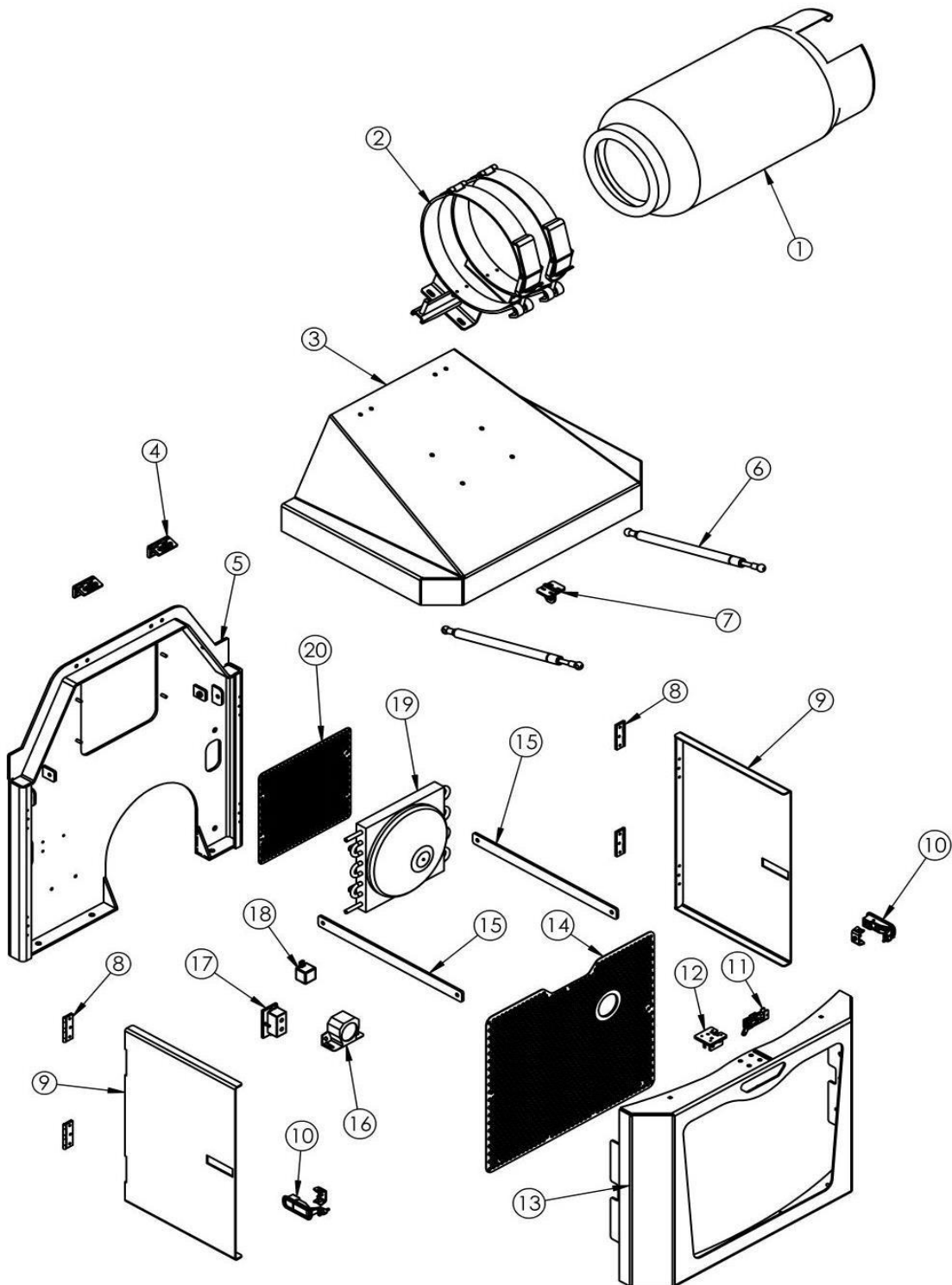






Table 04

ITEM	BLASTRAC PN	HQV PN	DESCRIPTION	QTY
1	CP-10731	533955901	PROPANE BOTTLE - HORIZONTAL VAPOR	1
2	07510005	533452501	PROPANE BRACKET	1
3	PG-10545	533297201	HOOD	1
4	CP-10931	533930901	BUTT HINGE	2
5	PG-10548	533262501	MIDDLE PANEL	1
6	CP-10934	533955601	GAS STRUT	2
7	PG-10679	533787701	ROTARY LATCH CATCH	1
8	CP-10933	533732601	BUTT HINGE W/ SWAGE	4
9	PG-10547	533317901	DOOR	2
10	CP-10930	533935801	DOOR LATCH	2
11	CP-11150	533633601	ROTARY LATCH	1
12	PG-10680	534047701	ROTARY LATCH BRACKET	1
13	PG-10549	533246701	BACK PANEL	1
14	PG-10531	533724001	BACK PANEL PERFORATED	1
15	PA-11234	535233801	PANEL BRACE	2
16	CP-10940	533733301	BACK-UP BEEPER	1
17	CP-10936	533895601	FUSE BLOCK	1
18	CP-11039	533934801	RELAY 12V	1
19	CP-10746	533856301	HYDRAULIC COOLER	1
20	PA-11183	533651801	HYDRAULIC COOLER SCREEN	1

Figure 05

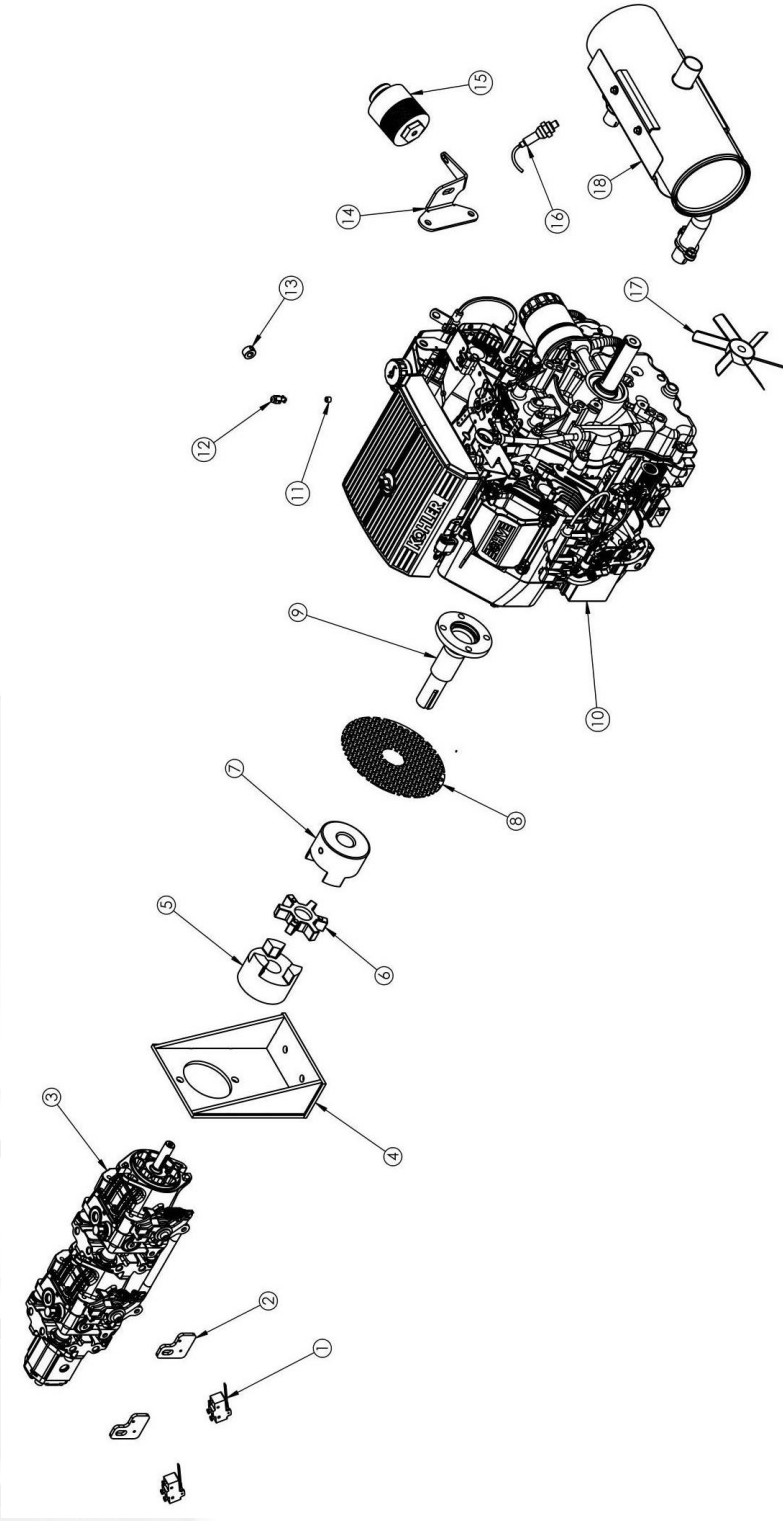




Table 05

ITEM	BLASTRAC PN	HQV PN	DESCRIPTION	QTY
1	CP-11660	533760801	BACKUP SWITCH	2
2	PA-11353	533738501	BACKUP SWITCH MOUNT	2
3	CP-10919	533634101	HYDRAULIC PUMP	1
	CP-11055	534083101	RTN ASSY KIT	2
	CP-11054	533671301	RTN SPRING	2
	CP-10919-2	535308801	PUMP CHARGE HOSE	1
4	PG-10550	533484601	HYDRAULIC PUMP BRACKET	1
5	CP-10922	533986901	JAW COUPLING HUB - PUMP	1
6	CP-10923	534081301	JAW COUPLING SPIDER	1
7	CP-10921	533981801	JAW COUPLING HUB - ENGINE	1
8	PA-11357	533780301	ENGINE FAN COVER	1
9	CP-10924	533475601	STUB SHAFT	1
10	CP-10735	533893001	ENGINE	1
11	CP-11772	535337901	SPACER	1
12	6916120	533025201	THROTTLE NIPPLE	1
13	P002198	533702101	SHAFT COLLAR	1
14	PA-11360	533500901	VAPORIZER BRACKET	1
15	CP-11683	533483401	VAPORIZER	1
	CP-11226	533796101	FITTING, 1/4" MPT x #6 SAE 45°	1
	CP-11682	533796001	FITTING, 1/4" MPT x #6 SAE 90°	1
	CP-11681	533927301	VAPORIZER PROPANE HOSE	1
16	CP-10735-17	535308401	O2 SENSOR	1
17	E06933/2	534043501	FAN	1
18	CP-10925	534027701	MUFFLER	1



Figure 06

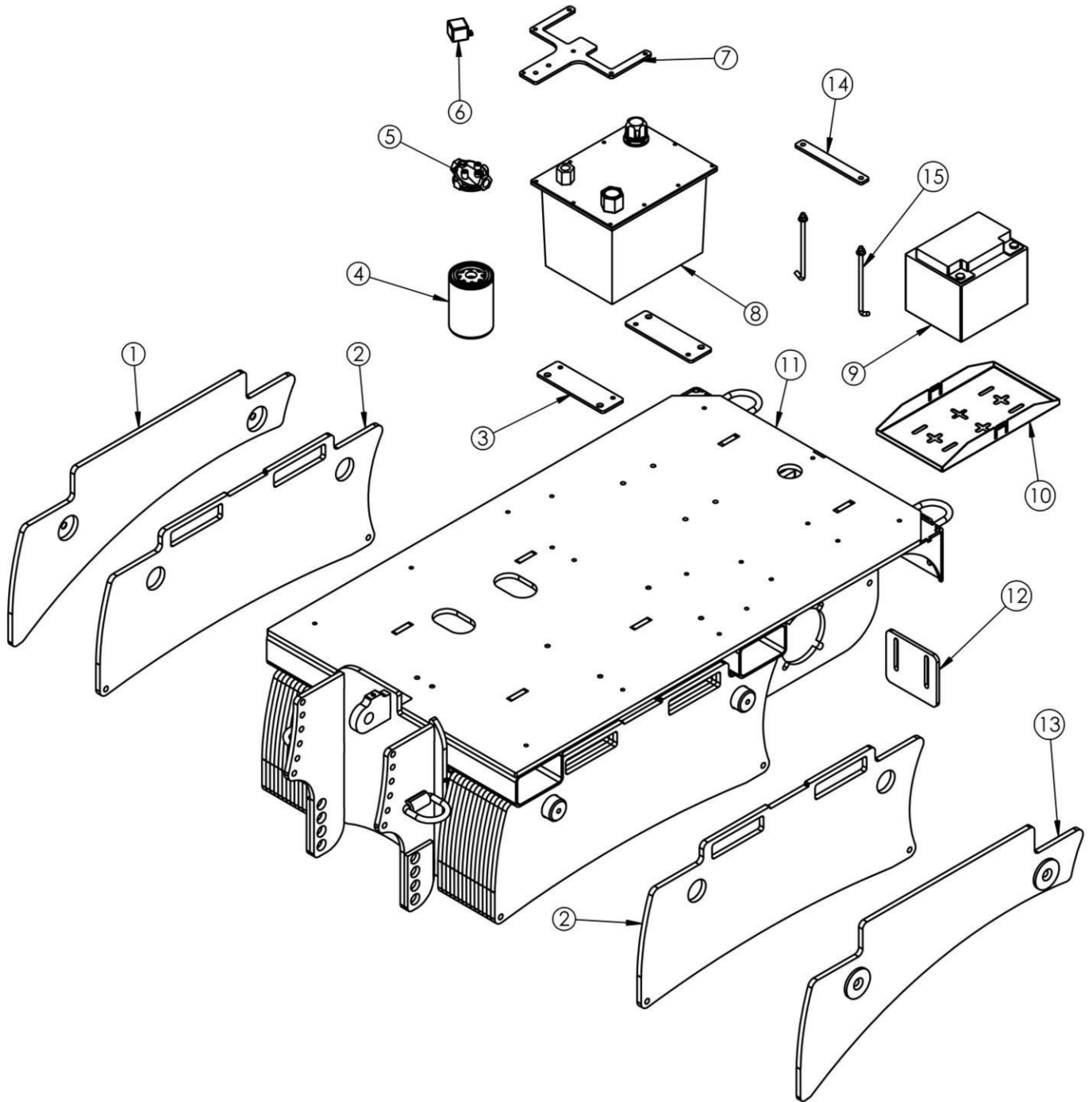




Table 06

ITEM	BLASTRAC PN	HQV PN	DESCRIPTION	QTY
1	PG-10535	533347901	REMOVABLE WEIGHT COVER RS	1
2	PA-11216	535266701	REMOVABLE WEIGHT	30
3	PA-11120	533637001	HYDRAULIC TANK MOUNT	2
4	04210012	533714801	HYDRAULIC FILTER	1
5	04210013	533799801	FLITER HEAD	1
6	CP-11039	533934801	RELAY 12V	1
7	PA-11217	533541101	FILTER MOUNT	1
8	CP-10320	533758601	HYDRAULIC TANK 2.6 GAL	1
9	CP-10927	533549801	BATTERY	1
10	CP-10617	533738401	BATTERY TRAY	1
11	PG-10530	533361301	FRAME	1
12	E09716	535236101	TIRE SCRAPER	2
13	PG-10533	533554501	REMOVABLE WEIGHT COVER LS	1
14	P002441	533905501	BATTERY HOLD DOWN BAR	1
15	CP-10928	533888501	HOLD DOWN BOLT	2



Figure 07

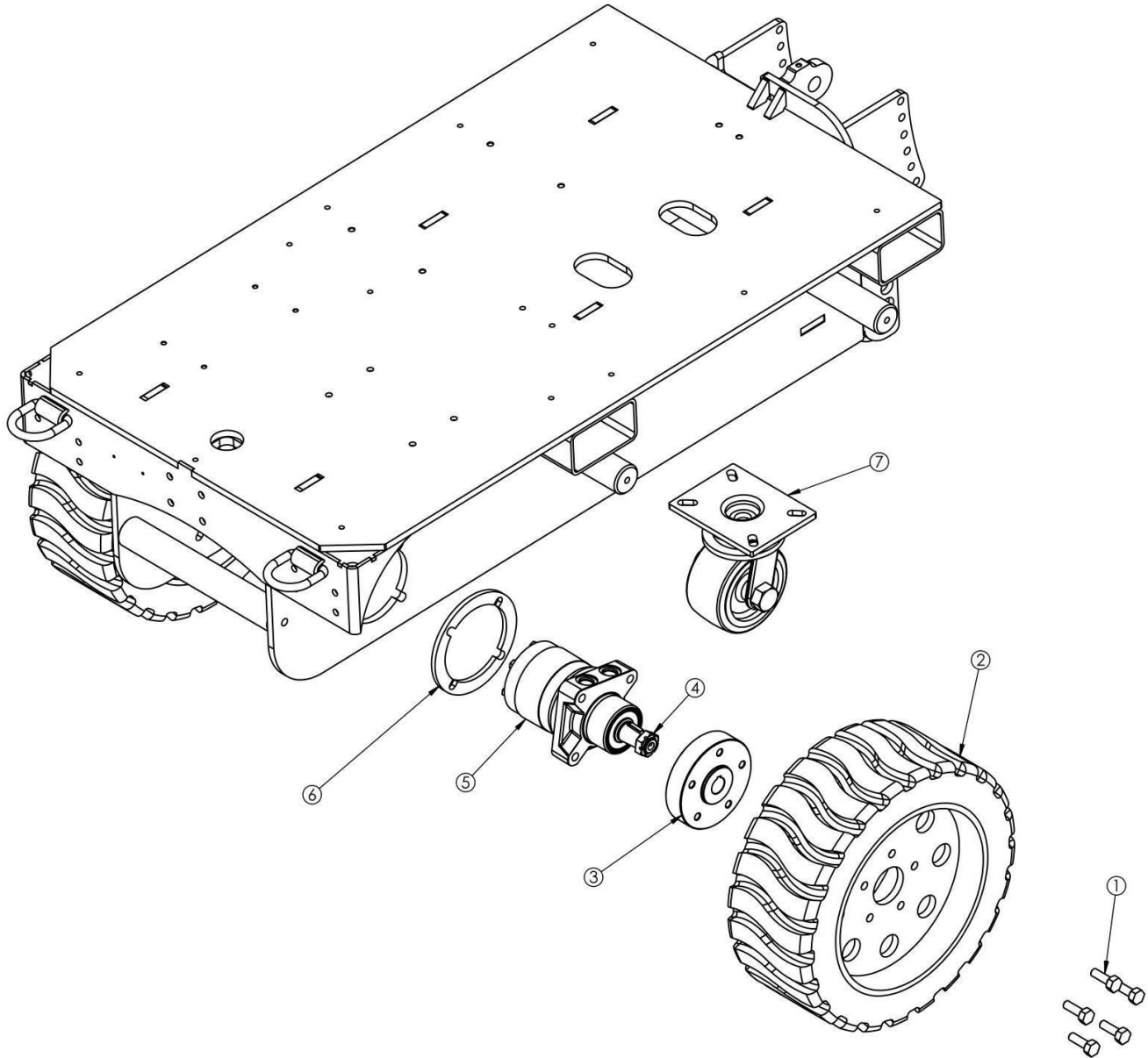




Table 07

ITEM	BLASTRAC PN	HQV PN	DESCRIPTION	QTY
1	CP-10295	533917801	TIRE LUG	10
2	PG-10532	533375101	REAR WHEEL	2
3	CP-10342	533786901	REAR WHEEL HUB	2
4	P003572	533634901	CASTLE NUT	2
5	CP-10313	534045401	HYDRAULIC DRIVE MOTOR - PARKER	2
	CP-10929	533765901	HYDRAULIC DRIVE MOTOR - EATON	2
6	E11784	535163601	DISTANCE FLANGE	2
7	P000257	533913001	SWIVEL CASTER	1



Figure 08

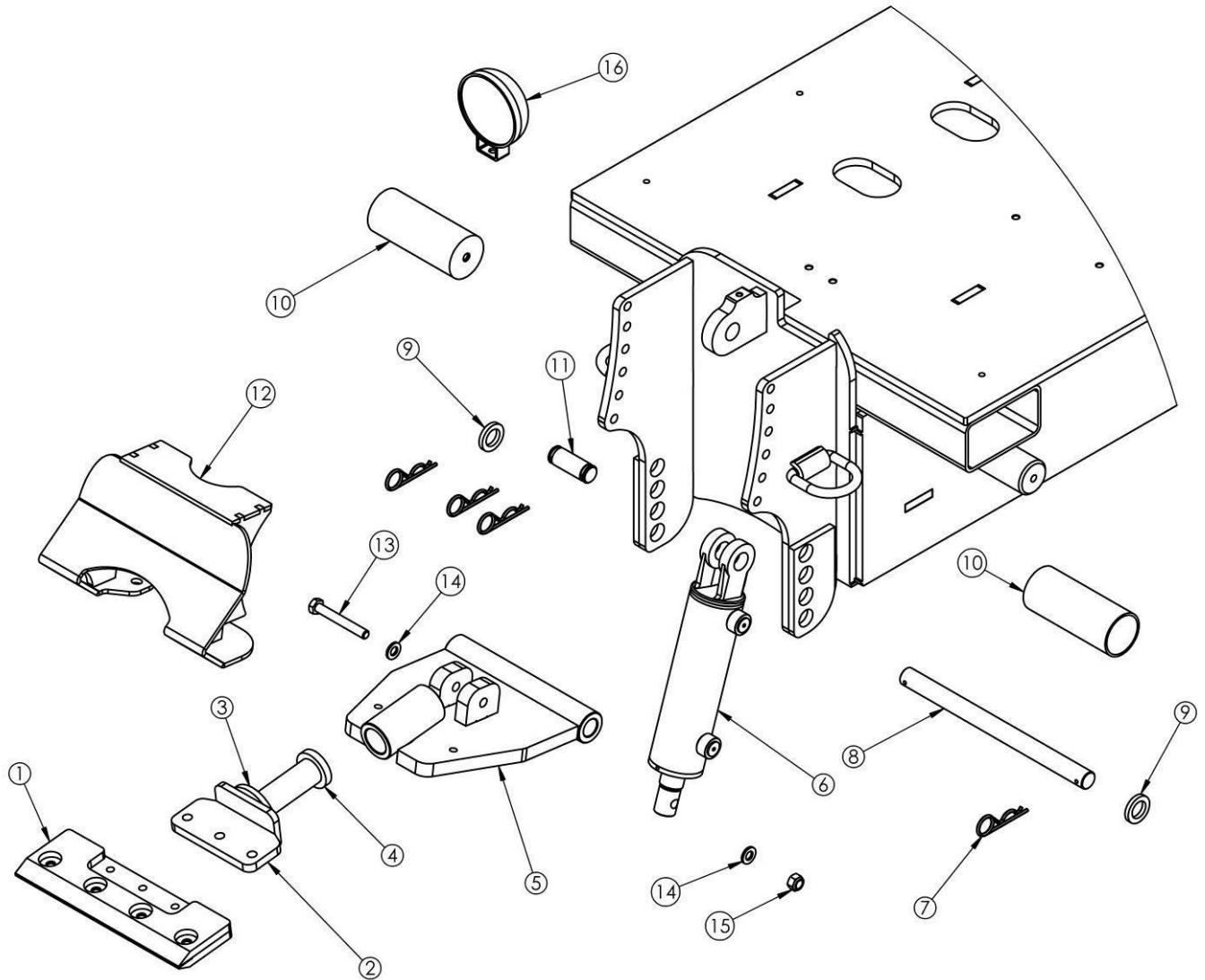






Table 08

ITEM	BLASTRAC PN	HQV PN	DESCRIPTION	QTY
1	E09633	533110301	BLADE HOLDER (12")	1
2	E09538	531488401	TOOL HOLDER	1
3	E09953	533736301	TOOL HOLDER WASHER	1
4	E09949	533670301	TOOL HOLDER PLATE	1
5	E12246	533925701	LOWER CUTTING HEAD	1
6	E09171	533783401	HYDRAULIC CYLINDER	1
7	BE0234	533858601	HAIR PIN COTTER	4
8	E12247	534080301	CUTTING HEAD ROD	1
9	PA-11226	535245301	SPACER RING	2
10	E08622	533454101	FOOT SUPPORT	2
11	PA-11222	535367701	CYLINDER TOP PIN	1
12	PG-10565	533932001	HEAVY DEFLECTOR	1
13	--	-	M12-1.75 x 90MM HCS	1
14	--	-	M12 FLAT WASHER	2
15	--	-	M12-1.75 NYLOCK	1
16	P004604	534008501	WORK LIGHT	1

Figure 09

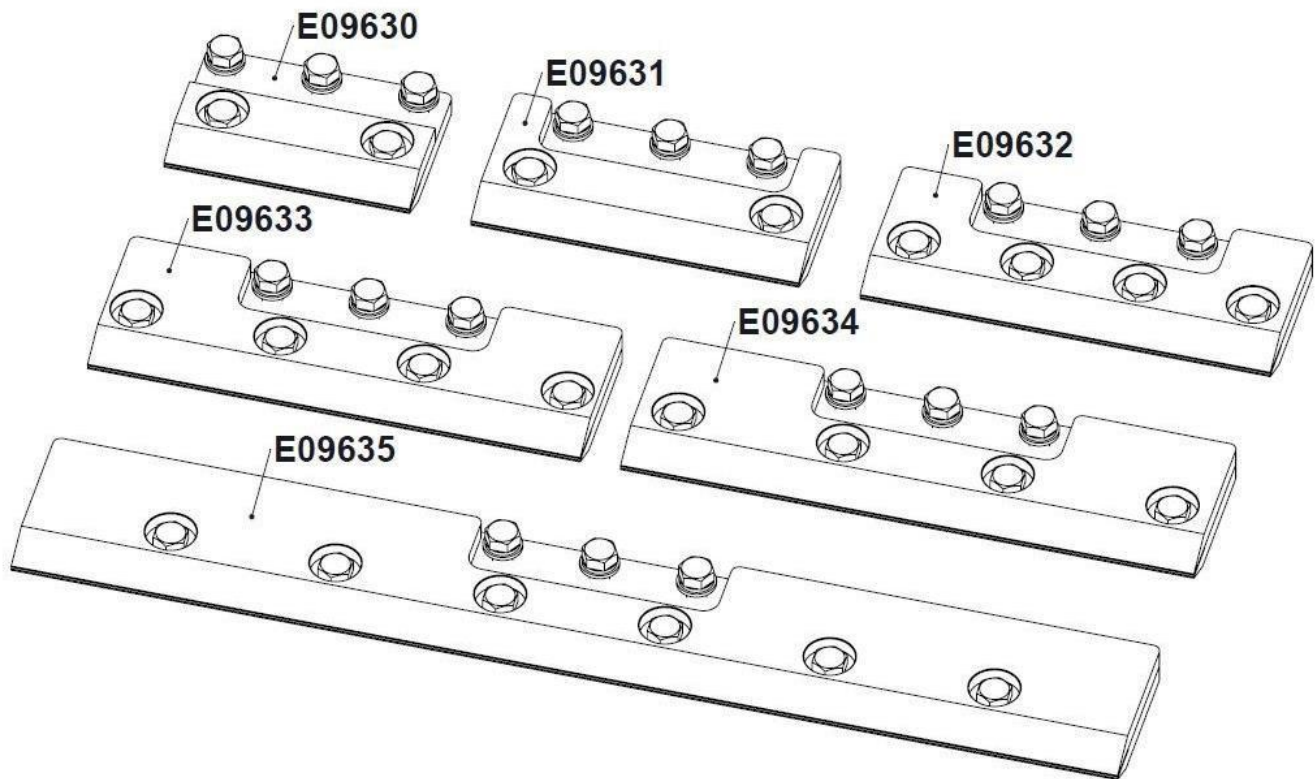
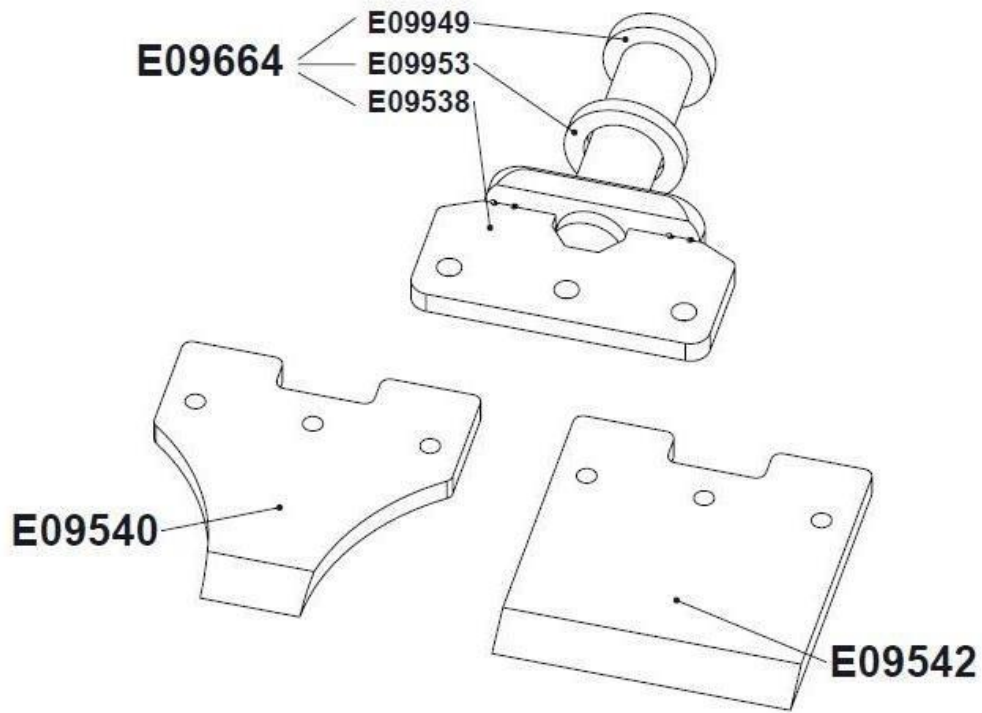


Table 09

BLASTRAC PN	HQV PN	DESCRIPTION	QTY
E09630	533335701	BLADE HOLDER 152MM (6")	1
E09631	533090301	BLADE HOLDER 203MM (8")	1
E09632	533495601	BLADE HOLDER 254MM (10")	1
E09633	533110301	BLADE HOLDER 305MM (12")	1
E09634	534329201	BLADE HOLDER 355MM (14")	1
E09635	533335601	BLADE HOLDER 686MM (27")	1

**Figure 10**



**Table 10**

BLASTRAC PN	HQV PN	DESCRIPTION	QTY
E09664	534046701	TOOL HOLDER COMPLETE ASSEMBLY	1
E09949	533670301	TOOL HOLDER PLATE	1
E09953	533736301	TOOL HOLDER WASHER	1
E09538	531488401	TOOL HOLDER	1
E09540	533858501	PREMIUM CHISEL 51 X 12 (2")	1
E09542	533865601	PREMIUM CHISEL 152 X 12 (6")	1



Figure 11

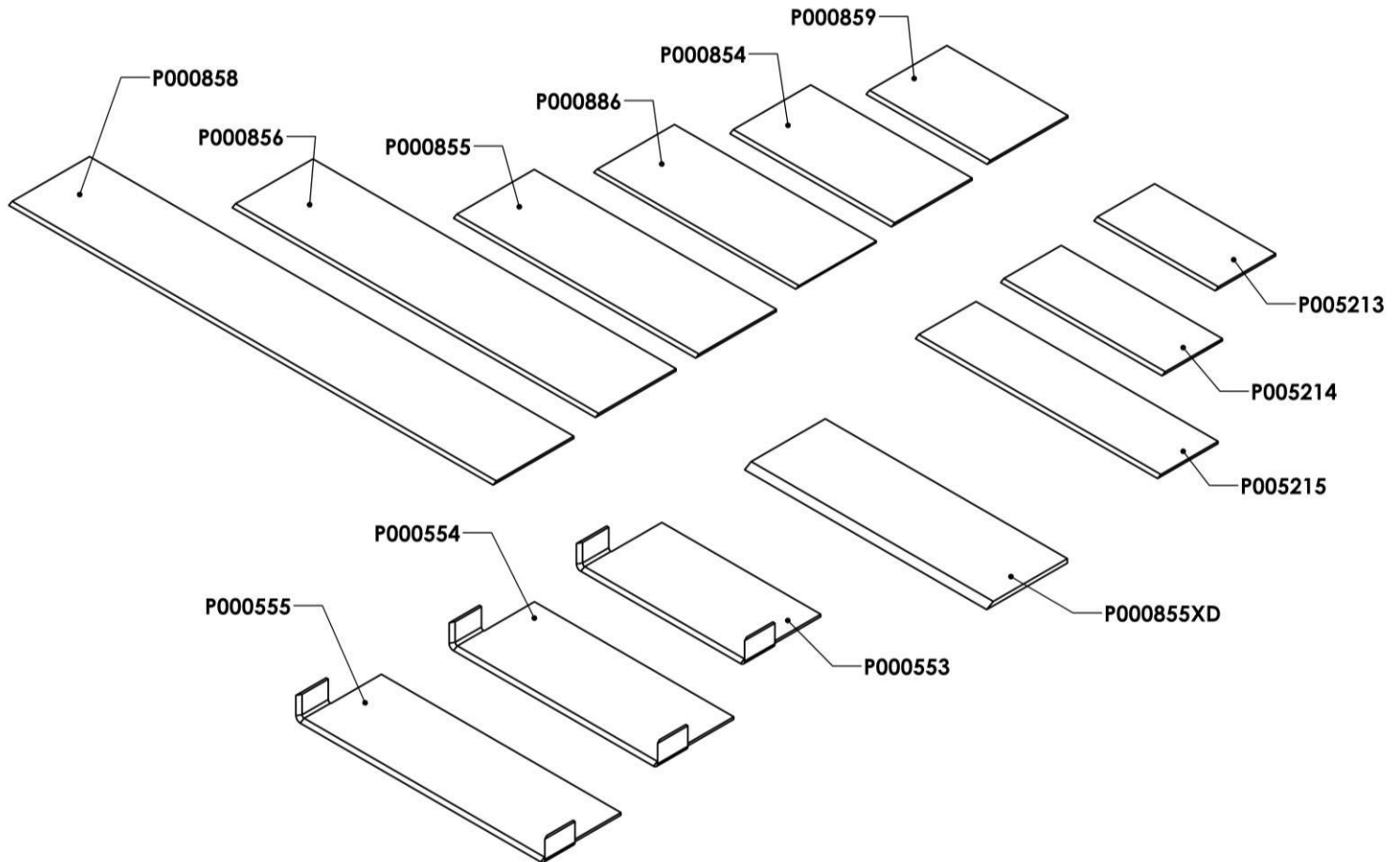


Table 11

BLASTRAC PN	HQV PN	DESCRIPTION	QTY
P005213	533866201	3" DEPTH BLADE (6")	1
P005214	533866001	3" DEPTH BLADE (8")	1
P005215	533866101	3" DEPTH BLADE (12")	1
P000859	533824501	4" STANDARD BLADE (6")	1
P000854	533851501	4" STANDARD BLADE (8")	1
P000886	533852601	4" STANDARD BLADE (10")	1
P000855	533850301	4" STANDARD BLADE (12")	1
P000856	533842001	4" STANDARD BLADE (18")	1
P000858	533833701	4" STANDARD BLADE (24")	1
P000855XD	533865901	4" HEAVY DUTY BLADE (12")	1
P000553	533857301	4" SELF-SCORING BLADE (8")	1
P000554	533860201	4" SELF-SCORING BLADE (10")	1
P000555	533859601	4" SELF-SCORING BLADE (12")	1



Figure 12

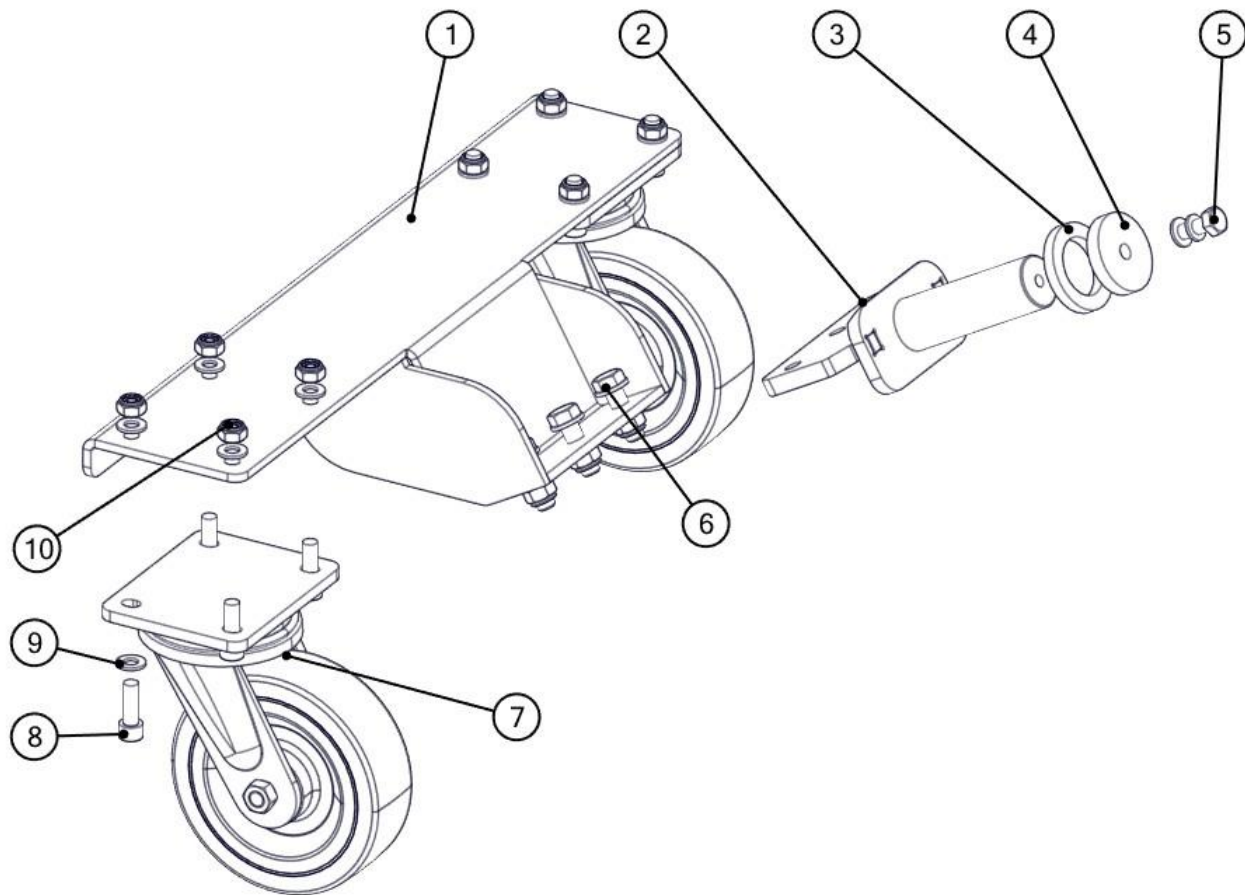


Table 12

ITEM	BLASTRAC PN	HQV PN	DESCRIPTION	QTY
1-10	E12133	534595802	TRANSPORT DOLLY ASSEMBLY	1
1	E11286	534724801	FRAME TRANSPORT DOLLY	1
2	E09538	531488401	TOOL HOLDER	1
3	E09953	533736301	TOOL HOLDER WASHER	1
4	E09949	533670301	TOOL HOLDER PLATE	1
5	--	-	M10-1.5 X 30MM HCS	1
6	--	-	M12-1.75 X 40MM HCS	3
7	E04440	533793401	CASTER	2
8	--	-	M10-1.5 X 30MM SHCS	8
9	--	-	M10 FLAT WASHER	17
10	--	-	M10-1.5 NYLOCK	8



Figure 13

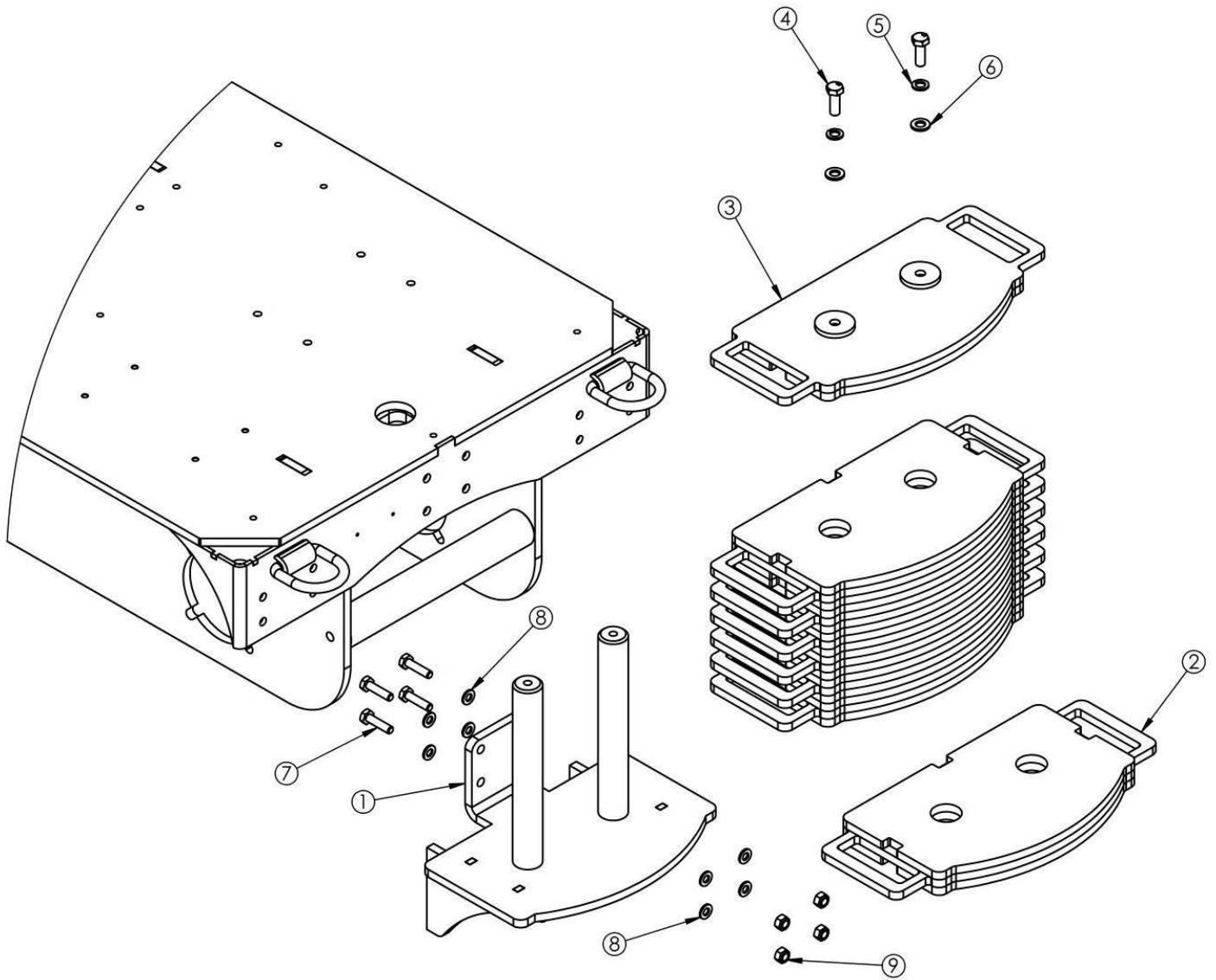


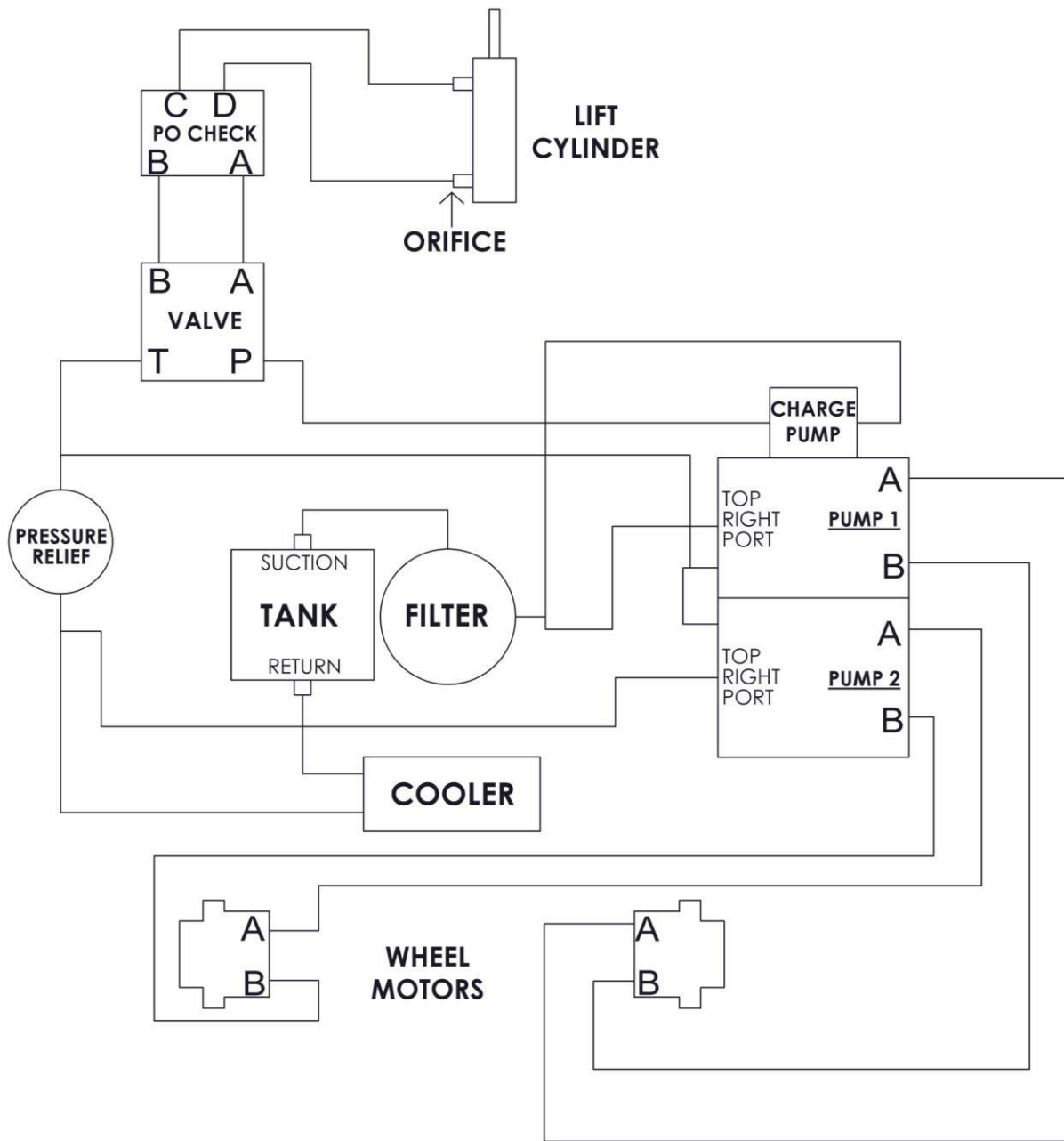


Table 13

ITEM	BLASTRAC PN	HQV PN	DESCRIPTION	QTY
1-9	PA-11225	533500601	WEIGHT KIT ASSEMBLY	1
1	PG-10555	535268201	WEIGHT KIT BASE	1
2	PG-10556	535246401	STACKABLE WEIGHT	7
3	PG-10561	535246301	STACKABLE WEIGHT CAP	1
4	--	-	M12-1.75 X 35MM HCS	2
5	--	-	M12 LOCK WASHER	2
6	--	-	M12 FLAT WASHER	2
7	--	-	M10-1.5 X 40MM HCS	4
8	--	-	M10 FLAT WASHER	8
9	--	-	M10-1.5 NYLOCK	4



## 2. Hydraulic Schematic

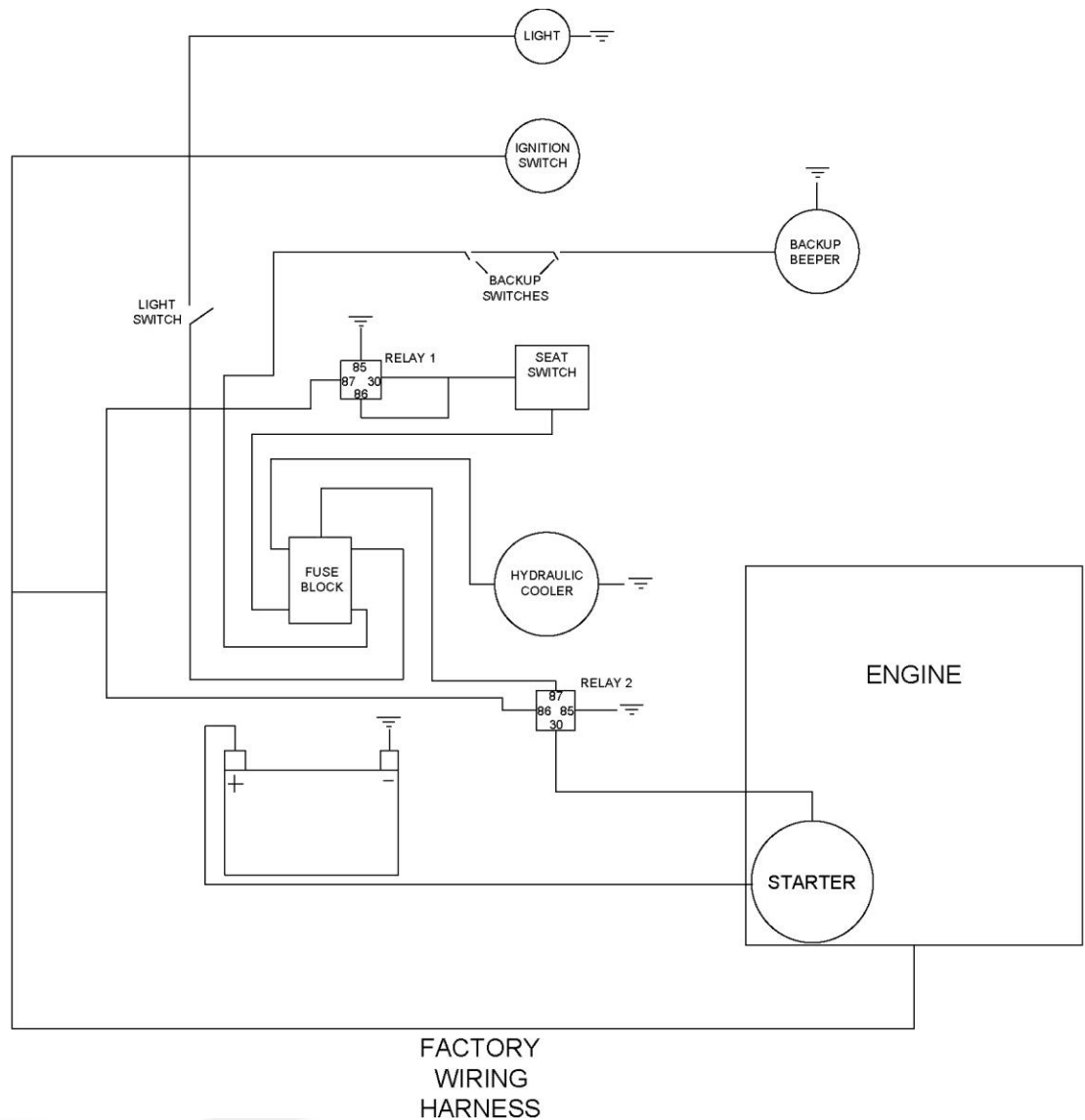






### 3. Electric Schematic

CUT RED WIRE IN FACTORY WIRING HARNESS. THE MOTOR SIDE WIRE GOES TO 87 ON RELAY 1. THE IGNITION SIDE WIRE GOES TO 86 ON RELAY 2.





**Maintenance log**

Date	Findings	Repairs / Cleaning	Test on	By (competent person)