

SERVICE MANUAL 1-8DPS30 / 1-8DPS55
VERSION 2.6

**Maintenance log**

| Date / hour counter | Findings | Repairs / Cleaning | Test on | By (competent person) |
|---------------------|----------|--------------------|------------|--------------------------|
| | | | | |

Index

| | |
|---------------------------|-----------|
| 1. Spare parts | 04 |
| 2. Maintenance box | 12 |
| Contact | |



Fig. 01

| Item | Blastrac PN | HQV PN | Description | Remarks | Qty. |
|------|-------------|-----------|-----------------------------|---------|------|
| 1 | B21001 | 534331901 | Blasthousing | | 1 |
| | E06385 | 533280101 | Pivot bracket | | 1 |
| | E06388 | 535269601 | Wheel bracket | | 1 |
| 2 | 004587 | 533522201 | Oilite bush | | 2 |
| 3 | B21009 | 533531601 | Plenum bottom liner | | 1 |
| 4 | B21044 | 533610301 | Top liner | | 1 |
| 5 | 979085 | 533185901 | Bearing unit | | 1 |
| 6 | B21008 | 533463601 | Blasthousing cover | | 1 |
| 7 | 976317 | 534573201 | Felt seal | | 1 |
| 8 | 976310 | 534940101 | Hub | | 1 |
| 9 | B21637K | 534912101 | Tune up kit 6 1/2" | | 1 |
| 10 | 969780 | 534698301 | Side magnet | | 2 |
| 11 | 969763 | 534697201 | Front magnet | | 1 |
| 12 | 001624 | 533501501 | Side brush | | 2 |
| 13 | 001623 | 533664001 | Front brush | | 1 |
| 14 | E06437 | 533495201 | Adjustable blastwheel cover | | 1 |
| 15 | E06148 | 533274401 | Cage clamp | | 2 |
| 16 | 969212 | 534844501 | Skid seal | | 1 |
| 17 | 004573 | 533680001 | Skid seal | | 1 |
| 18 | 971427 | 534824001 | Skid retainer | | 1 |
| 19 | 969580 | 534839901 | Side liner LH | | 1 |
| 20 | 971428 | 534844301 | Skid retainer | | 1 |
| 21 | 969581 | 534840601 | Side liner RH | | 1 |
| 22 | 969217 | 533023801 | Rear wheel bar | | 2 |
| 23 | E06921 | 533418301 | Clamp lever M10 | | 1 |
| 24 | 974963 | 534944201 | Wheel | | 2 |
| 25 | 969586 | 534822601 | Liner screw M10x25 | | 2 |
| 26 | BE1039 | 534684001 | M12x60 Stud metal end | | 2 |

Fig. 02

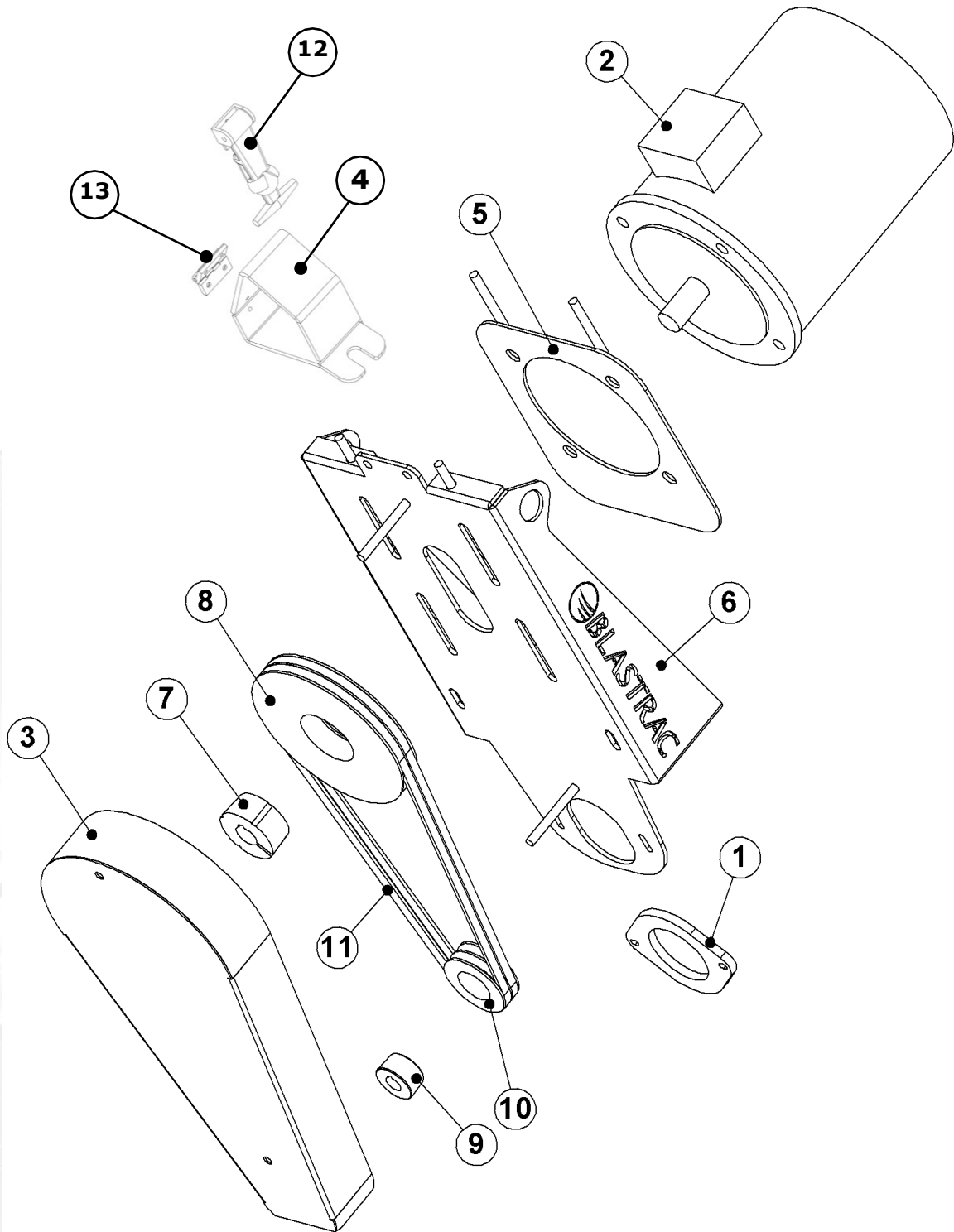


Fig. 02

| Item | Blastrac PN | HQV PN | Description | Remarks | Qty. |
|------|-------------|-----------|---------------------------|---|------|
| 1 | E06434 | 533208801 | Dust cover | All types | 1 |
| 2 | E03034 | 533836101 | 3 kW motor | 1-8DPS30 up to serial nr. 9428B | 1 |
| | E03034-IE3 | 533836201 | 3 kW IE3 motor | 1-8DPS30 Serial nr.9438B and up | 1 |
| | E07580-IE3 | - | 5.5 kW motor | 1-8DPS55 | 1 |
| 3 | E06387 | 533485901 | Belt guard | 1-8DPS30 Serial nr.9438B and up & 1-8DPS55 | 1 |
| | E06939 | - | Belt guard | 1-8DPS30 up to serial nr. 9428B | 1 |
| 4 | E06392 | 534634301 | Hose clamp | All types | 1 |
| 5 | E06394 | 533906701 | Fill up plate blast motor | 1-8DPS30 Serial nr.9438B and up & 1-8DPS55 | 1 |
| | E03028 | - | Fill up plate blast motor | 1-8DPS30 up to serial nr. 9428B | 1 |
| 6 | E06398 | 533793001 | Motor bracket | 1-8DPS30 Serial nr.9438B and up & 1-8DPS55 | 1 |
| | E06399 | - | Motor bracket | 1-8DPS30 up to serial nr. 9428B | 1 |
| 7 | E10415 | 533894401 | Taper lock | 1-8DPS30 Serial nr.9438B and up & 1-8DPS55 | 1 |
| | E06937 | 533408401 | Taper lock | 1-8DPS30 up to serial nr. 9428B | 1 |
| 8 | E06160 | 534005101 | Pulley | All types | 1 |
| 9 | E03518 | 533897501 | Taper lock | 1-8DPS30 220V 50&60Hz & 1-8DPS55 50Hz | 1 |
| | E00629 | 533926001 | Taper lock | 1-8DPS30 400V 60Hz & 1-8DPS55 60Hz | 1 |
| 10 | 976659 | 533822101 | Pulley | 1-8DPS30 220V 50&60Hz Serial nr. 9438B and up & 1-8DPS55 50Hz | 1 |
| | E00620 | 533880001 | Pulley | 1-8DPS30 400V 60Hz & 1-8DPS55 60Hz | 1 |
| 11 | E06131 | 533960501 | V-belt | 1-8DPS30 220V 50&60Hz Serial nr.9438B and up & 1-8DPS55 50 Hz | 2 |
| | E06182 | 533914101 | V-belt | 1-8DPS30 400V 60Hz & 1-8DPS55 60Hz | 2 |
| | E06938 | 533751101 | V-belt | 1-8DPS30 220V-50 & 60Hz up to serial nr. 9428B | 2 |
| 12 | 500-1195 | 531471201 | Rubber latch assy | All types | 1 |
| 13 | E11124 | 534768601 | Hinge (40x40) | | 1 |

Fig. 03

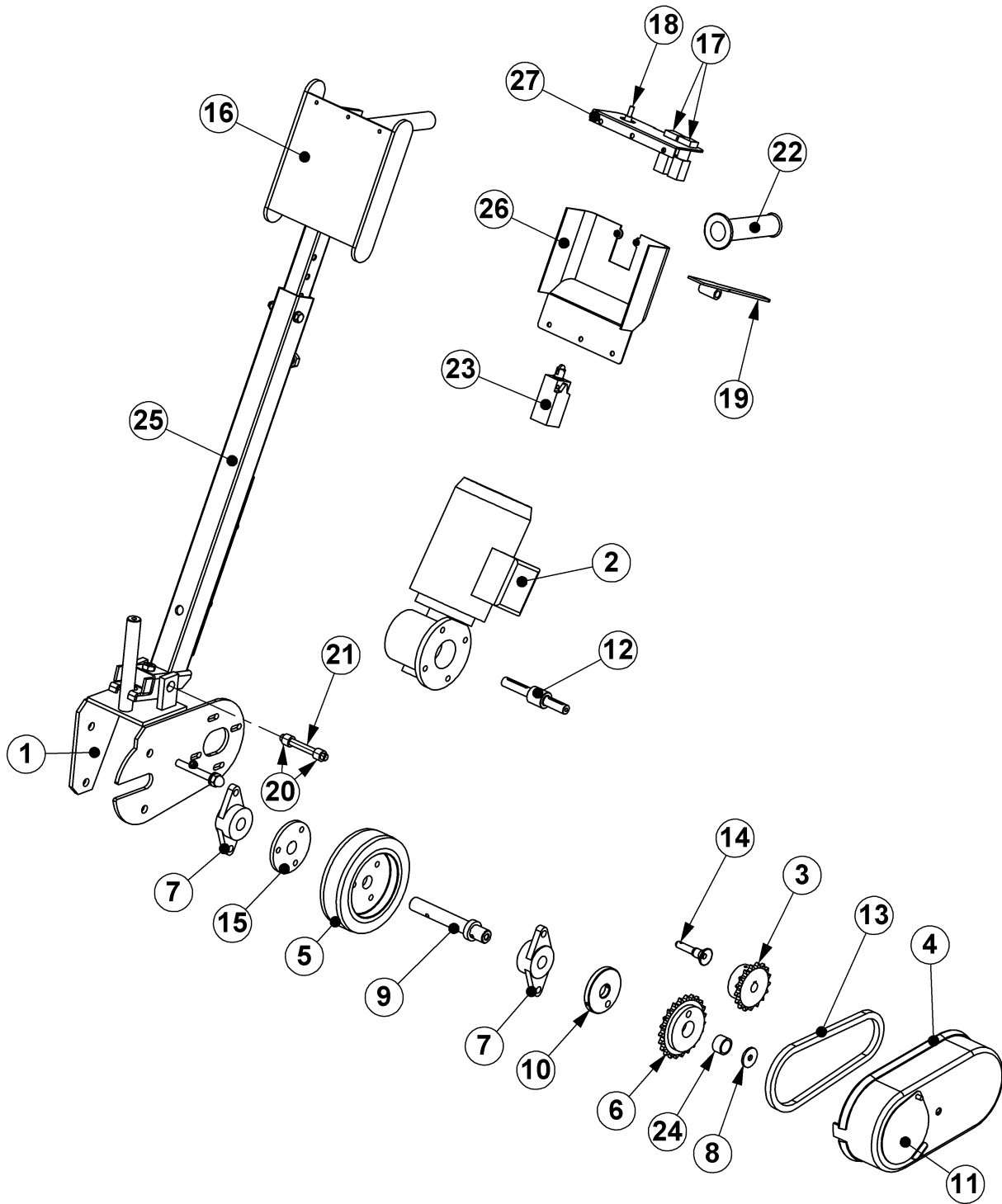


Fig. 03

| Item | Blastrac PN | HQV PN | Description | Remarks | Qty. |
|------|-------------|-----------|-----------------------|---------|-------|
| 1 | E03024 | 533332501 | Drive motor bracket | | 1 |
| 2 | E03026 | 533292501 | Drive motor | | 1 |
| 3 | 979076 | 534526701 | Drive motor sprocket | | 1 |
| 4 | 979067 | 534387001 | Chain guard | | 1 |
| 5 | 969409 | 535713501 | Drive wheel | | 1 |
| 6 | 979077 | 534529101 | Drive sprocket | | 1 |
| 7 | 976818 | 534953701 | Bearing | | 2 |
| 8 | | | Washer | | 1 |
| 9 | 971621 | 534528601 | Drive shaft | | 1 |
| 10 | 970015 | 534527101 | Drive plate | | 1 |
| 11 | 976323 | 533088701 | Cover for drive pin | | 1 |
| 12 | E03035 | 533095701 | Drive shaft | | 1 |
| 13 | E00237 | 534024701 | Chain 1/2" ISO | | 0.56M |
| 14 | 478198 | 533256401 | Quick release pin | | 1 |
| 15 | 970016 | 534942101 | Wheel plate | | 1 |
| 16 | E06403 | 533392401 | Handle top part | | 1 |
| 17 | E00867 | 533850701 | switch | | 2 |
| 18 | E00866 | 533613001 | Potentiometer | | 1 |
| 19 | E00743 | 533783701 | Switch lever | | 1 |
| 20 | 976817 | 534846601 | Sleeve bearing bush | | 2 |
| 21 | 970108 | 531480701 | Swivel pin | | 1 |
| 22 | 453290 | 534612901 | Soft grip Ø25 | | 1 |
| 23 | 454796 | 534668101 | Limit switch | | 1 |
| 24 | 979087 | 533117001 | Sleeve bearing bush | | 1 |
| 25 | E06405 | 533235701 | Handle stem | | 1 |
| 26 | E00740 | 533241401 | Control box | | 1 |
| 27 | E00741 | 533571401 | Control box top plate | | 1 |

Fig. 04

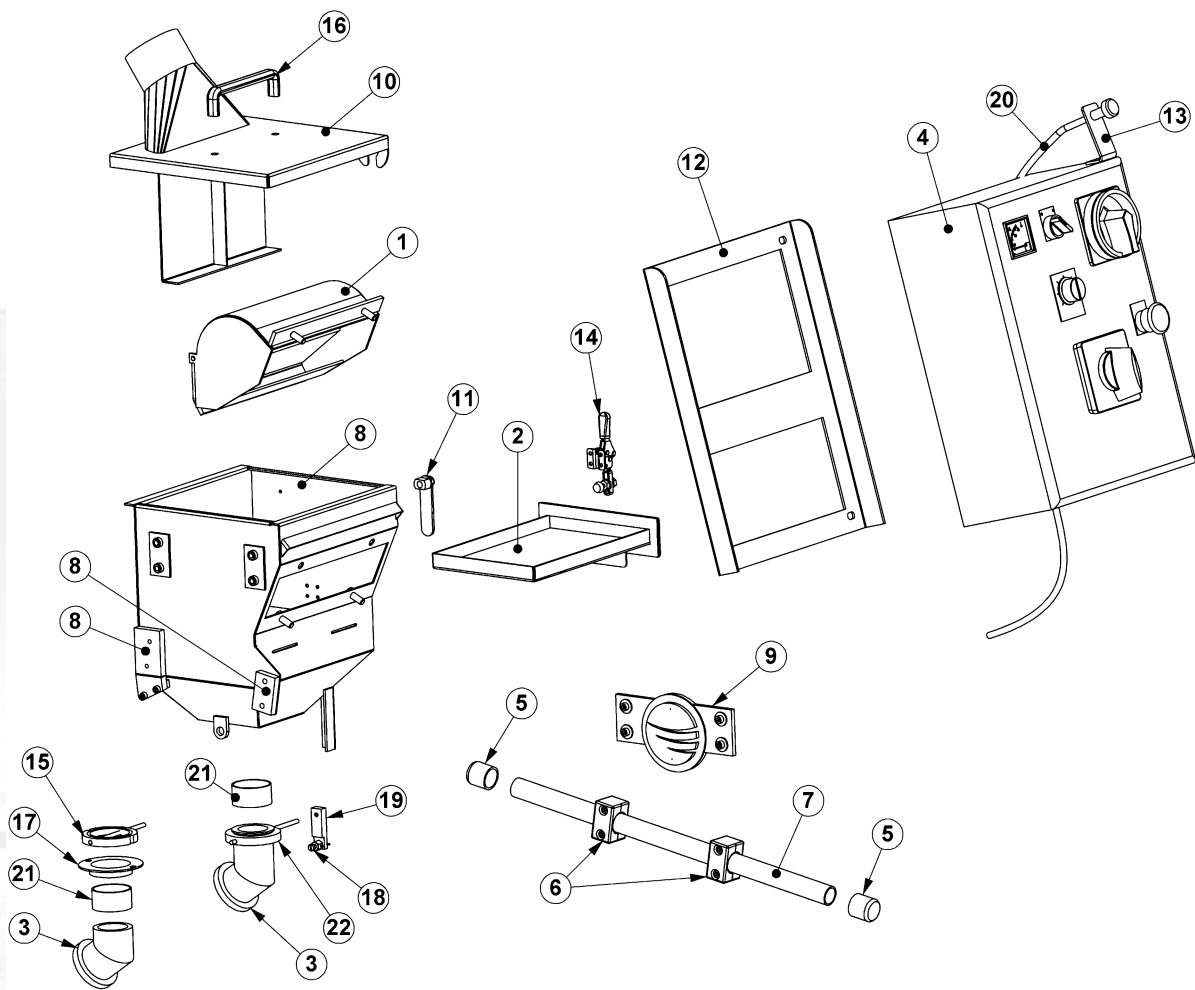


Fig. 04

| Item | Blastrac PN | HQV PN | Description | Remarks | Qty. |
|------|------------------|-----------|-----------------------------------|--------------------------|------|
| 1 | B21003 | 533105301 | Deflector | | 1 |
| 2 | E06595 | 533883001 | Separator tray | | 1 |
| 3 | 967577/GREY | 533750701 | Feed spout | 1-8DPS30 & 1-8DPS55 | 1 |
| 4 | E06142/ 1-8DPS30 | 534546001 | Electro box complete 1-8DPS30 | 1-8DPS30 | 1 |
| | E01535 | 533693201 | Elektro box special 220V/SF | 1-8DPS30 220V/SF 50/60Hz | 1 |
| | E06142/ 1-8DPS55 | 534546401 | Electro box complete 1-8DPS55 | 1-8DPS55 | 1 |
| 5 | E00368 | 533368001 | Cable guide- end | | 2 |
| 6 | DG39 | 533414301 | Pipe clamp Ø25 | | 2 |
| 7 | DG41 | 533182901 | Cable tube | | 1 |
| 8 | E06418 | 533744201 | Separator basic | | 1 |
| 9 | E06436 | 533772101 | Logo Blastrac with mounting strip | | 1 |
| 10 | E06419 | 533991301 | Separator lid | | 1 |
| 11 | E06531 | 533263801 | Locking lever | | 1 |
| 12 | E06912 | 534052701 | Adapter plate elektro box | | 1 |
| 13 | B21021 | 533743901 | Control cable bracket | | 1 |
| 14 | 1084 | 534391301 | Clamp for separator tray | | 1 |
| 15 | 973322 | 534698201 | Magnetic valve | 1-8DPS75 | 1 |
| 16 | 970385 | 533170201 | Handle | | 1 |
| 17 | B21035 | 533787201 | Adapter magnetic valve | 1-8DPS75 | 1 |
| 18 | 491726-1 | 534732301 | Nipple & screw | | 1 |
| 19 | 959647 | 531487501 | Valve lever | | 1 |
| 20 | 975100 | 533016801 | Control cable | | 1 |
| 21 | 971500 | 534572201 | Feed spout seal ring | | 1 |
| 22 | 969819 | 534698101 | Magnetic valve | 1-8DPS30 & 1-8DPS55 | 1 |



2. Maintenance box

| Item | Maintenance box 1-8DPS30(50&60Hz)/55 50Hz E07005 | | Qty. |
|---|--|----------------|------|
| (only for 1-8DPS30 with serial nr.9438B and up) | | | |
| 1 | E06131 | V-belt | 2 |
| 4 - 25 | HQV: 533960501 | See list below | |

| Item | Maintenance box 1-8DPS55 60Hz E07006 | | Qty. |
|--------|--------------------------------------|----------------|------|
| 1 | E06182 | V-belt | 2 |
| 4 - 25 | HQV: 533914101 | See list below | |

| Item | Maintenance box 1-8DPS30 50&60Hz E07007 | | Qty. |
|--|---|----------------|------|
| (Only for 1-8DPS30 up to serial nr. 9428B) | | | |
| 1 | E06938 | V-belt | 2 |
| 4 - 25 | HQV: 533751101 | See list below | |

| Item | Blastrac PN | HQV PN | Description | Qty. |
|------|-------------|-----------|------------------------|------|
| 4 | 001030 | - | Metal box | |
| 5 | 969580 | 534839901 | Left liner | |
| 6 | 969581 | 534840601 | Right liner | |
| 7 | B21044 | 533610301 | Top liner | |
| 8 | B21637 | 533805601 | Tune-up kit 6" | |
| 9 | 975100 | 533016801 | Abrasive control cable | |
| 10 | 004573 | 533680001 | Rear seal rubber | |
| 11 | 969212 | 534844501 | Skid seal | |
| 12 | 001624 | 533501501 | Side brush | 2 |
| 13 | 001623 | 533664001 | Front brush | 1 |
| 14 | 001017 | 535752901 | Open-end spanner 10/11 | |
| 15 | 001040 | - | Open-end spanner 13/17 | |
| 16 | 001019 | 535753101 | Open-end spanner 17/19 | |
| 17 | 000144 | 535751901 | Ratchet spanner 1/2" | |
| 18 | 000145 | - | Box spanner 8mm | |
| 19 | 000146 | 535752001 | Box spanner 13mm | |
| 20 | 001043 | - | Box spanner 17 mm | |
| 21 | 001032 | 535753501 | Screwdriver 5,5 x 100 | |
| 22 | 001035 | 535753701 | Insulated screwdriver | |
| 23 | 001056 | 535753901 | Water pump pliers | |
| 24 | 001000 | - | Hammer | |
| 25 | 001031 | 535753401 | Safety glasses | |



Headquarter

Blastrac The Netherlands

Utrechthaven 12
 NL – 3433 PN Nieuwegein
 Tel – 0031 30 601 88 66
 Fax – 0031 30 601 83 33
 Info@blastrac.nl

Blastrac Poland

Golina, Dworcowa 47a
 PL – 63-200 Jarocin
 Tel – 0048 627 40 41 50
 Fax – 0048 627 40 41 51
 Info@blastrac.pl

Blastrac Italy

S.S. 10 Padana Inferiore, 41
 IT – 29012 Caorso (PC)
 Tel – 0039 0523 81 42 41
 Fax – 0039 0523 81 42 45
 Info@blastrac.it

Blastrac United Kingdom

Unit 2, Outgang Lane, Dinnington
 Sheffield, South Yorkshire
 GB – S25 3QY, England
 Tel – 0044 1909 56 91 18
 Fax – 0044 1909 56 75 70
 Info@blastrac.co.uk

Blastrac Germany

Richard Byrd Straße 15
 D – 50829 Köln (Ossendorf)
 Tel – 0049 221 70 90 32 0
 Fax – 0049 221 70 90 32 22
 Info@blastrac.de

Blastrac Spain

Calle Copernico, 16
 Nave 2
 E – 28820 Coslada
 Tel – 0034 91 660 10 65
 Fax – 0034 91 672 72 11
 Info@blastrac.com.es

Blastrac France (ZI)

29, Avenue des Temps Modernes
 F – 86360 Chasseneuil du Poitou
 Tel – 0033 549 00 49 20
 Fax – 0033 549 00 49 21
 Info@blastrac.fr

Blastrac Ukraine

Nezalezhnosti 14, of. 21
 UA – 07400 Brovary
 Tel – 0038 44 222 51 28
 Fax – 0038 44 277 98 29
 Info@blastrac.com.ua