



SERVICE MANUAL 2-48DS

VERSION 3.2



Inspection comments

Inspection before initial operation on:	_____
By:	_____
Date of initial operation:	_____
Serial number & Year of manufacture:	_____

Recurring inspections / maintenance log

Date / Hour counter	Findings	Repairs / Cleaning	Test on	By*

*competent person



Index

Maintenance log	02
1. Spare parts	04
Contact	



1. Spare parts

Fig. 01 Blasthousing

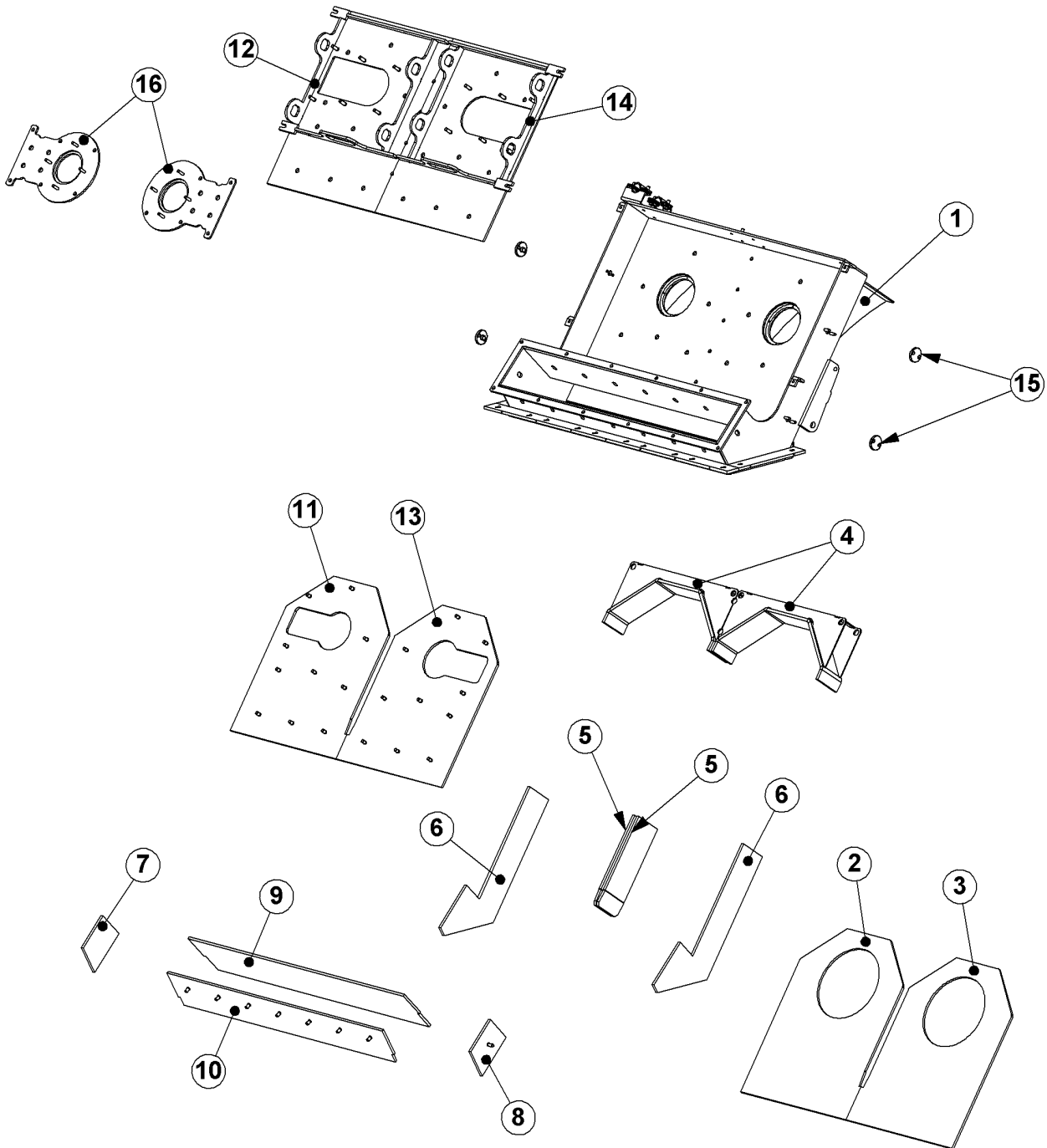


Fig. 01 Blasthousing

Item	Blastrac PN	HQV PN	Description	Qty.
1	E02211	535109601	Blast housing 2-48DS	1
2	E02311	533278801	Rear liner 500 LH	1
3	E02312	533276701	Rear liner 500 RH	1
4	E02223	533232501	Top liner	2
5	E02224	533227301	Inner liner	2
6	E02225	533223401	Side liner	2
7	E02220	533379101	Rebound side liner LH	1
8	E02221	533355701	Rebound side liner RH	1
9	E02222	533294701	Rebound top liner	1
10	E02219	533329801	Rebound bottom liner	1
11	E07145	533295801	Front liner LH	1
12	E07147	533539601	Front cover LH	1
13	E07146	533356601	Front liner RH	1
14	E07148	533739201	Front cover RH	1
15	RB100A-25	-	Liner fixing block	4
16	E08551	533589301	Cage mount plate	2

Fig. 02 Separator

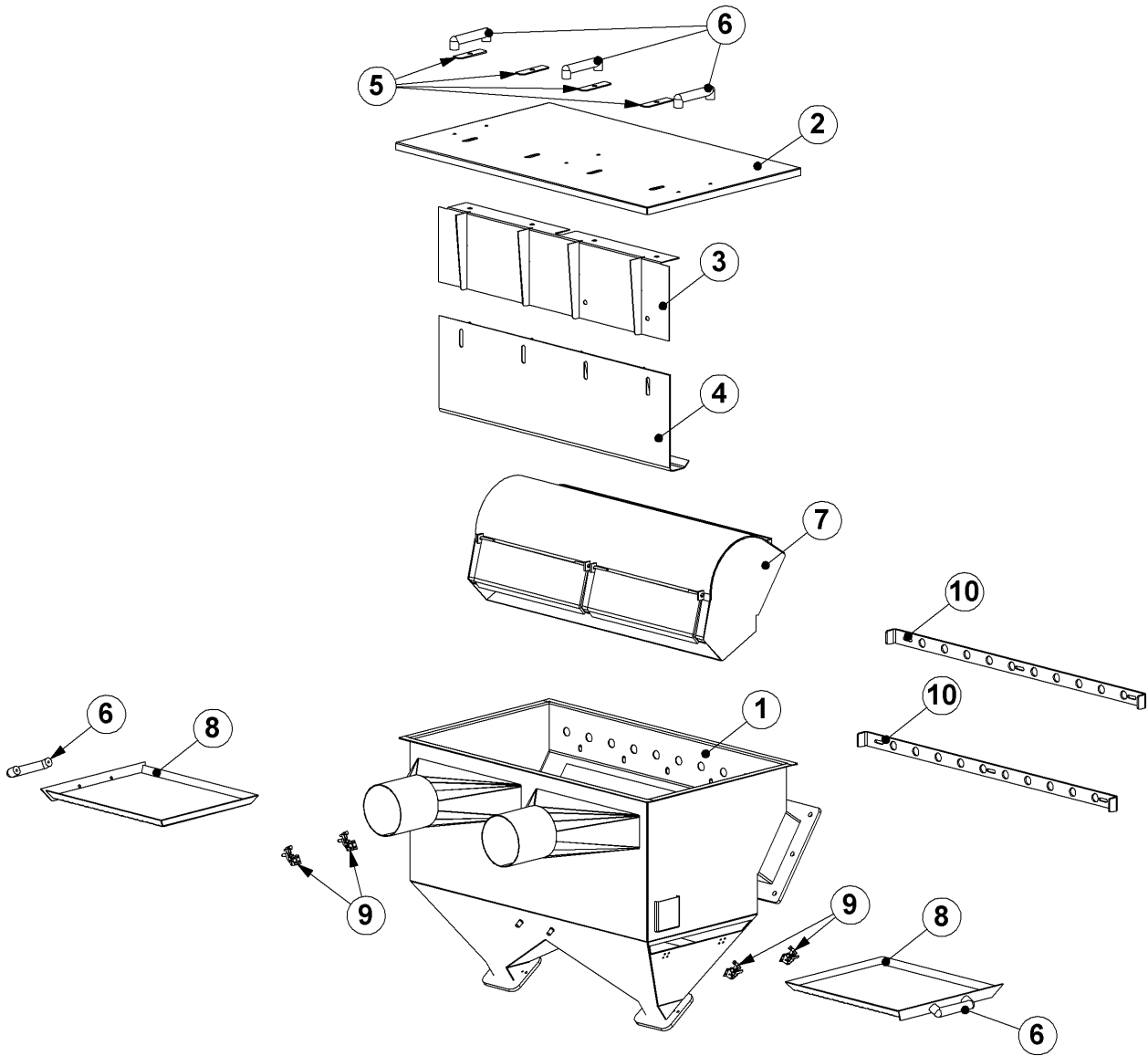




Fig. 02 Separator

Item	Blastrac PN	HQV PN	Description	Qty.
1	E02236	533117801	Separator 2-48DS	1
2	E02237	533322501	Cover plate	1
3	E02238	533420301	Horizontal adjuster	1
4	E02239	533375801	Vertical adjuster	1
5	E02240	533252701	Top fix plate	4
6	970385	533170201	Mount plate	5
7	E02226	533152101	Deflector	1
8	E02241	533256101	Separator tray	2
9	001084	534391301	Clamp	4
10	E02321	533338401	Airflow adjuster	2



Fig. 03 Rebound & Drive wheel

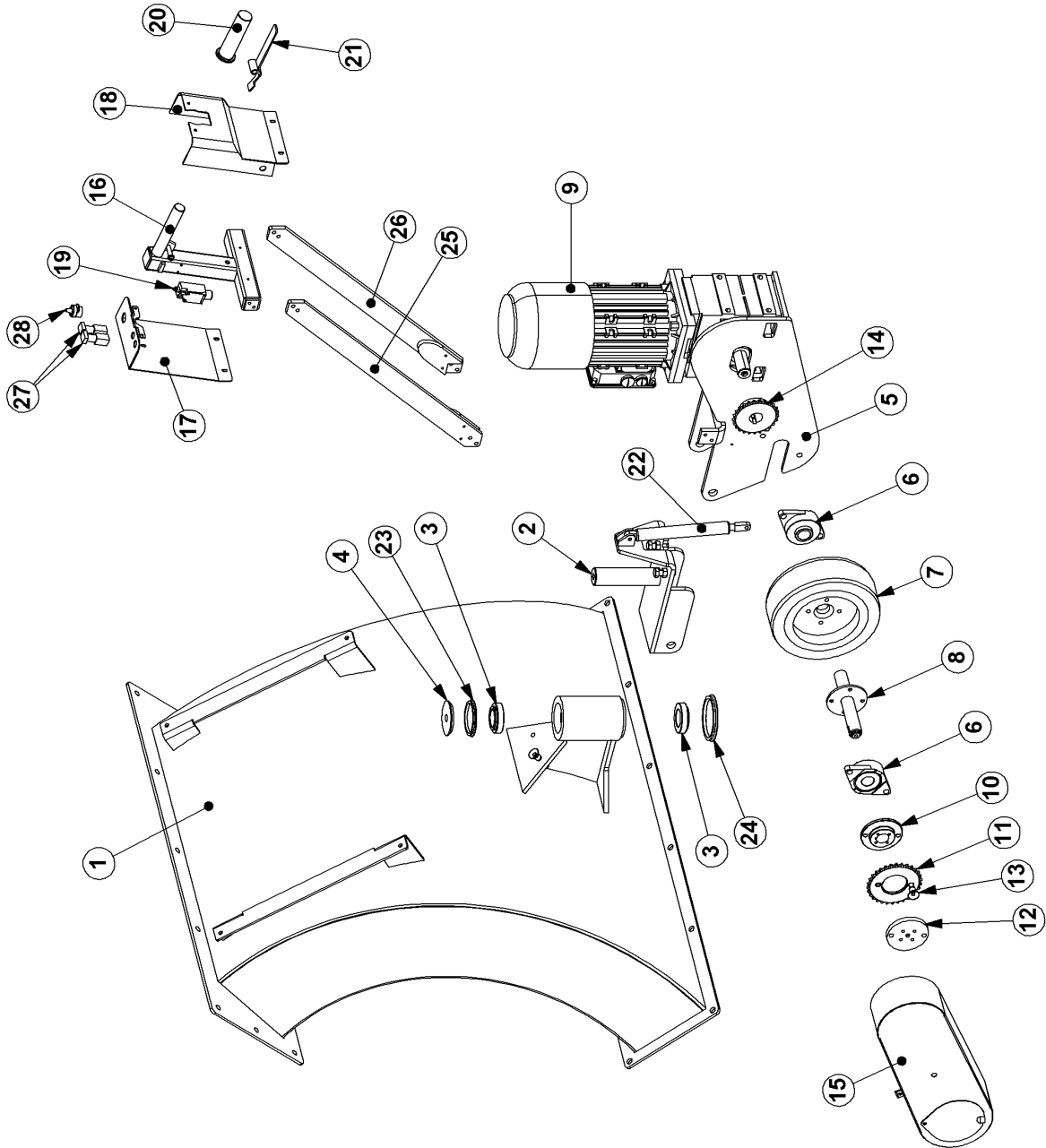


Fig. 03 Rebound & Drive wheel

Item	Blastrac PN	HQV PN	Description	Qty.
1	E02235	535232901	Rebound plenum	1
2	E02229	535251901	Swivel bracket	1
3	E02253	534313001	Tapered roller bearing	2
4	E02232	534314501	Bearing cover plate	1
5	E02230	535166601	Drive wheel bracket	1
6	976682	531474201	Bearing	2
7	476405	534907101	Traction wheel	1
8	978362	534528801	Drive Wheel shaft	1
9	E02251	534524301	Drive wheel motor	1
10	488551	534642001	Rear retainer hub	1
11	477631	534640601	Idler sprocket	1
12	E20282	546615201	SPROCKET SHOTBLASTER	1
13	478198	533256401	quick release pin	1
14	E02320	534529901	Drive motor sprocket	1
15	E02227	535148201	Chain guard	1
16	E02228	535247701	Steering handle	1
17	E02260	535152601	Control box top plate	1
18	E02259	535152301	Control box	1
19	454796	534668101	Limit switch	1
20	453290	534612901	Handle grip	1
21	E02327	535251701	Switch lever	1
22	E02256	534775001	Pression gas spring	1
23	E02335	534929601	V-ring seal	1
24	E02336	534929701	V-ring seal	1
25	E02318	535242201	Side frame LH	1
26	E02319	535242301	Side frame RH	1
27	E00867	533850701	switch	2
28	E00866	533613001	Potentiometer	1

Fig. 04 Rear wheels

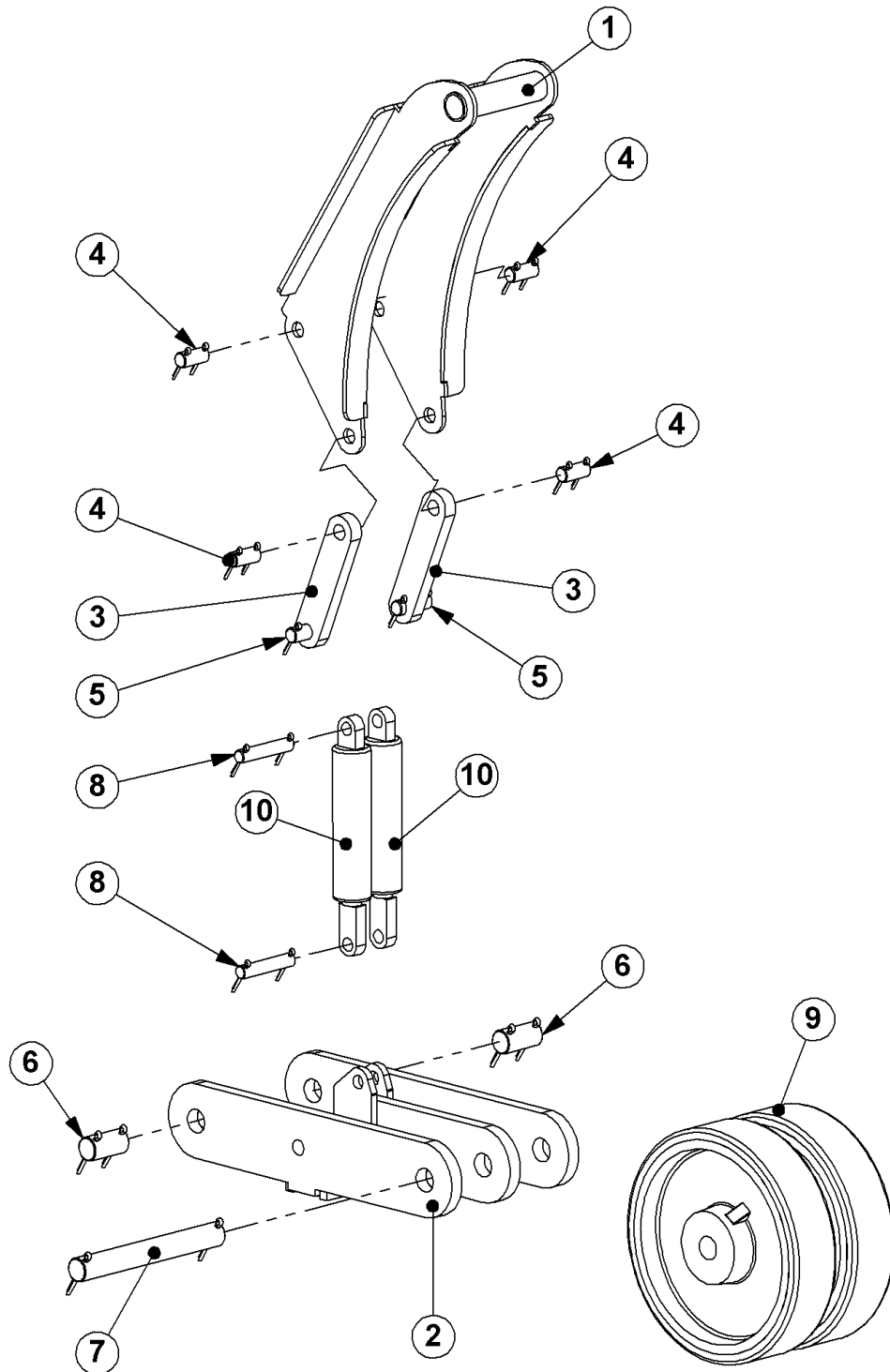


Fig. 04 Rear wheels

Item	Blastrac PN	HQV PN	Description	Qty.
1	E02243	534385001	Castor bracket lever	2
2	E02242	535231801	Real castor bracket	2
3	E02244	535202101	Lever	4
4	E02339	534364101	Bracket lever pin	8
5	E02340	534664101	Lever pin	4
6	E02341	534636201	Housing pin	4
7	E02270	534942001	Wheel pin	2
8	E02342	534424901	Cylinder pin	4
9	E02247	533336501	Idler wheel	4
10	E02337	534775101	Gas spring 4000N	4



Fig. 05 Motor bracket

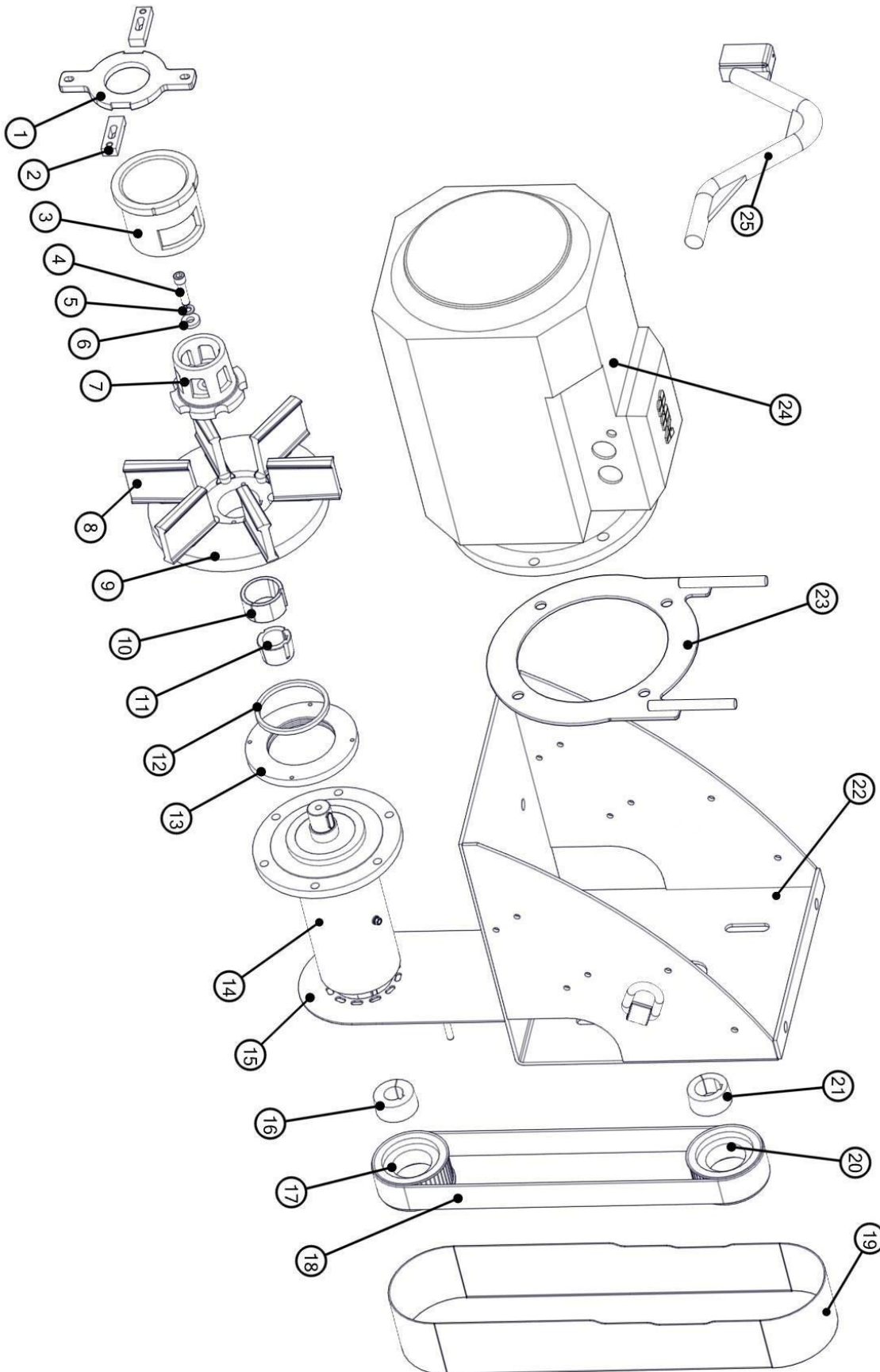


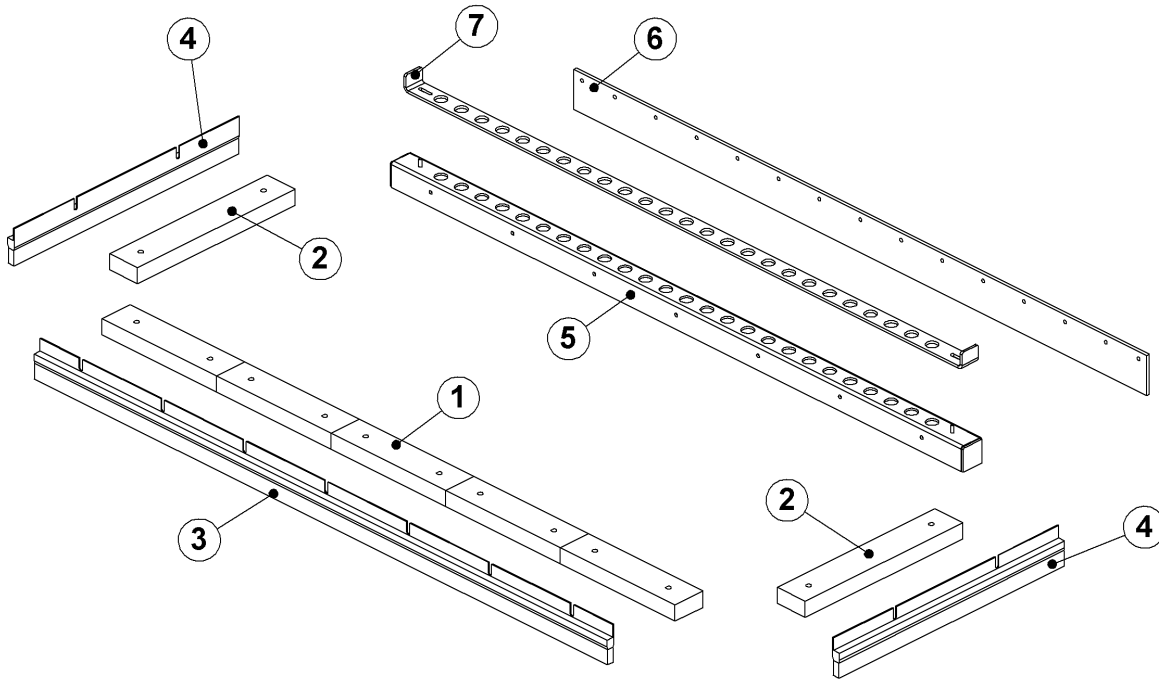


Fig. 05 Motor bracket

Item	Blastrac PN	HQV PN	Description		Qty.
1	E02317	533367901	Cage clamp plate		2
2	493966	534379901	Cage clamp		4
3	500-1010	533147101	Control cage		2
4	BE0665	534624901	M12x50 Hax sockethead cap		2
5		-	M12 Spring lock washer		2
6	BE0042	533836901	M12 Heavy Washer		2
7	600-1015	533264301	Impeller		2
8	500-1005	533440901	Blades (set of 6)		2
9	500-1025	534340401	Blastwheel		2
10	222-2265	533017101	Taper lock adapter		2
11	E00718	533259701	Taper lock		2
12	E02314	533211201	Felt seal		2
13	E02313	533299901	Felt seal ring		2
14	E00793	533665801	Bearing unit 2-45DE		2
15	E02234	535104601	Belt guard bottom plate		2
16	RB165/5	534892201	Taper lock		2
17	E02036	533222501	Pulley (60Hz machine)	60Hz	2
	RB165/4	533287601	Pulley (50Hz machine)	50HZ	2
18	E02019	533430001	HTD belt		2
19	E02233	534321801	Belt guard		2
20	RB165/2	533287501	Pulley		2
21	E02018	533089001	Taper lock		2
22	E02216	535212901	Motor bracket		2
23	E02009	533334901	Blast motor fill-up plate		2
24	E02006	534330501	Blast motor		2
25	E08553	535108901	Blade removal tool		1



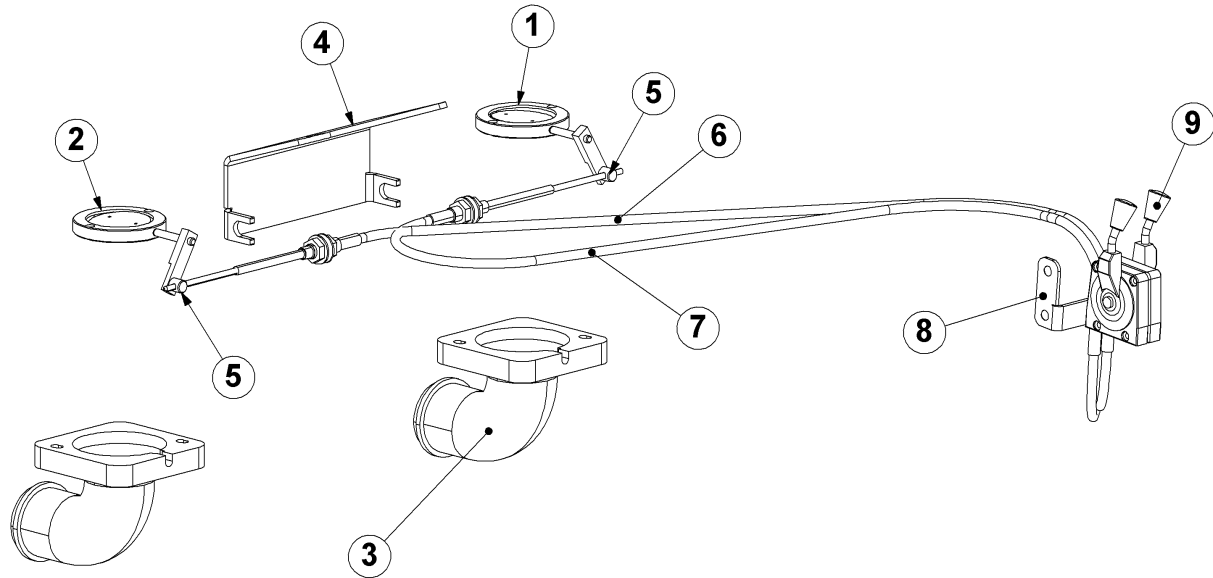
Fig. 06 Seals



Item	Blastrac PN	HQV PN	Description	Qty.
1	RB117	531457301	Magnet	5
2	RB118A	531457401	Magnet	2
3	E02254	533332701	Front & rear brush	1
4	E02331	533225201	Side brush	2
5	E02328	535179901	Flow bar	1
6	E02329	533294801	Rear seal rubber	1
7	E02330	534295601	Airflow adjuster	1



Fig. 07 Control cables



Item	Blastrac PN	HQV PN	Description	Qty.
1	B21295	533406601	Magnetic valve assy	1
2	B21295R	533437701	Magnetic valve assy	1
3	970192	533910601	Feed spout	2
4	E02261	534410001	Control cable bracket	1
5	B20521	534028801	Pivot	2
6	E01524	533215401	Control cable	1
7	E02263	533352001	Control cable	1
8	E02258	535152901	Cable control unit plate	1
9	B20519	533839501	Cable control unit	2



BLASTRAC EUROPE

WE'RE READY TO ASSIST YOU!

BLASTRAC THE NETHERLANDS

EUROPEAN HEAD OFFICE
Utrecht haven 12
NL - 3433 PN Nieuwegein
Tel.: +31 (0)30 601 88 66
Fax: +31 (0)30 601 83 33
Email: info@blastrac.nl
WWW.BLASTRAC.EU

BLASTRAC POLAND

SALES & SERVICE CENTRE
Golina, ul. Dworcowa 47E
63-200 Jarocin
Tel.: +48 (0)62 740-41-50
Fax: +48(0)62 740-41-51
Email: info@blastrac.pl
WWW.BLASTRAC.PL

BLASTRAC FRANCE

SALES & SERVICE CENTRE
ZI - 29, Av. des Temps Modernes
F - 86360 Chasseneuil du Poitou
Tel.: +33 (0)5 49 00 49 20
Fax: +33 (0)5 49 00 49 21
Email: info@blastrac.fr
WWW.BLASTRAC.FR

BLASTRAC ITALY

SALES & SERVICE CENTRE
S.S. 10 Padana Inferiore, 41
IT - 29012 Caorso (PC)
Tel.: +39 0523 814241
Fax: +39 0523 814245
Email: info@blastrac.it
WWW.BLASTRAC.IT

BLASTRAC GERMANY

SALES & SERVICE CENTRE
Richard-Byrd-Str. 15
50829 Köln
Tel.: +49 (0) 221 709032-0
Fax: +49 (0) 221 709032-22
Email: info@blastrac.de
WWW.BLASTRAC.DE

BLASTRAC UKRAINE

SALES & SERVICE CENTRE
Nezalezhnosti 14, of. 21
07400 Brovary
Tel.: +38 (0)44 222 51 28
Fax: +38 (0)44 277 98 29
Email: info@blastrac.com.ua
WWW.BLASTRAC.COM.UA

BLASTRAC SPAIN

SALES & SERVICE CENTRE
Calle del Estío, 9
E - 28500
Arganda del Rey, Madrid
Tel.: +34 91 660 10 65
Fax: +34 91 672 72 11
Email: info@blastrac.es
WWW.BLASTRAC.ES

BLASTRAC UNITED KINGDOM

SALES & SERVICE CENTRE
Unit 2a, Outgang Lane, Dinnington
Sheffield, South Yorkshire
GB - S25 3QU
Tel.: +44 (0) 1909 / 569 118
Fax: + 44 (0) 1909 / 567 570
Email: info@blastrac.co.uk
WWW.BLASTRAC.CO.UK

BLASTRAC MIDDLE EAST

SALES & SERVICE CENTRE
P.O. box 29424
Dubai / United Arab Emirates
Tel.: +971 4 3245760
Fax: +971 4 3245761
Email: info@blastracdxbae
WWW.BLASTRAC.AE

BLASTRAC NORDIC

SALES & SERVICE CENTRE
Lekstorps Industriväg 13D,
443 41, Gråbo
Sweden
Tel.: +46 (0) 31 30 333 55
Email: info@blastrac.se
WWW.BLASTRAC.SE

BLASTRAC INDIA

SALES & SERVICE CENTRE
G.B. Warehousing, GAT NO- 523,
Pune- Nagar Road, Wagholi
Pune- 412 207
Tel.: +91 99213 98109
Email: info.blastrac.in
WWW.BLASTRAC.IN