

SERVICE MANUAL BDC-66

VERSION 2.15

From serial number 28784B and up



Index

Index.....	2
Inspection comments.....	3
1. Spare parts.....	4
Fig. 01 General.....	4
Fig. 2.1 Pulse system (Up to serial number 32305B).....	6
Fig. 2.2 Pulse system (From serial number 32306B & up).....	8
Fig. 3.1 Pulse valves (Up to serial number 32305B).....	10
Fig. 3.2 Pulse valves (From serial number 32306B & up).....	11
Fig. 4.1 Blower Up to and including serialnumber 28783B.....	12
Fig. 4.2 Blower From serial number 28784B and up.....	14
Fig. 05 DB – LP - BB.....	16
Fig. 06 HEPA-filter (Option).....	18
Fig. 07 Vacuum gauge (Option).....	19



Inspection comments

Inspection before initial operation on:	_____
By:	_____
Date of initial operation:	_____
Serial number & Year of manufacture:	_____

Recurring inspections / maintenance log

Date / hour counter	Findings	Repairs / Cleaning	Test on	By*

*competent person



1. Spare parts

Fig. 01 General

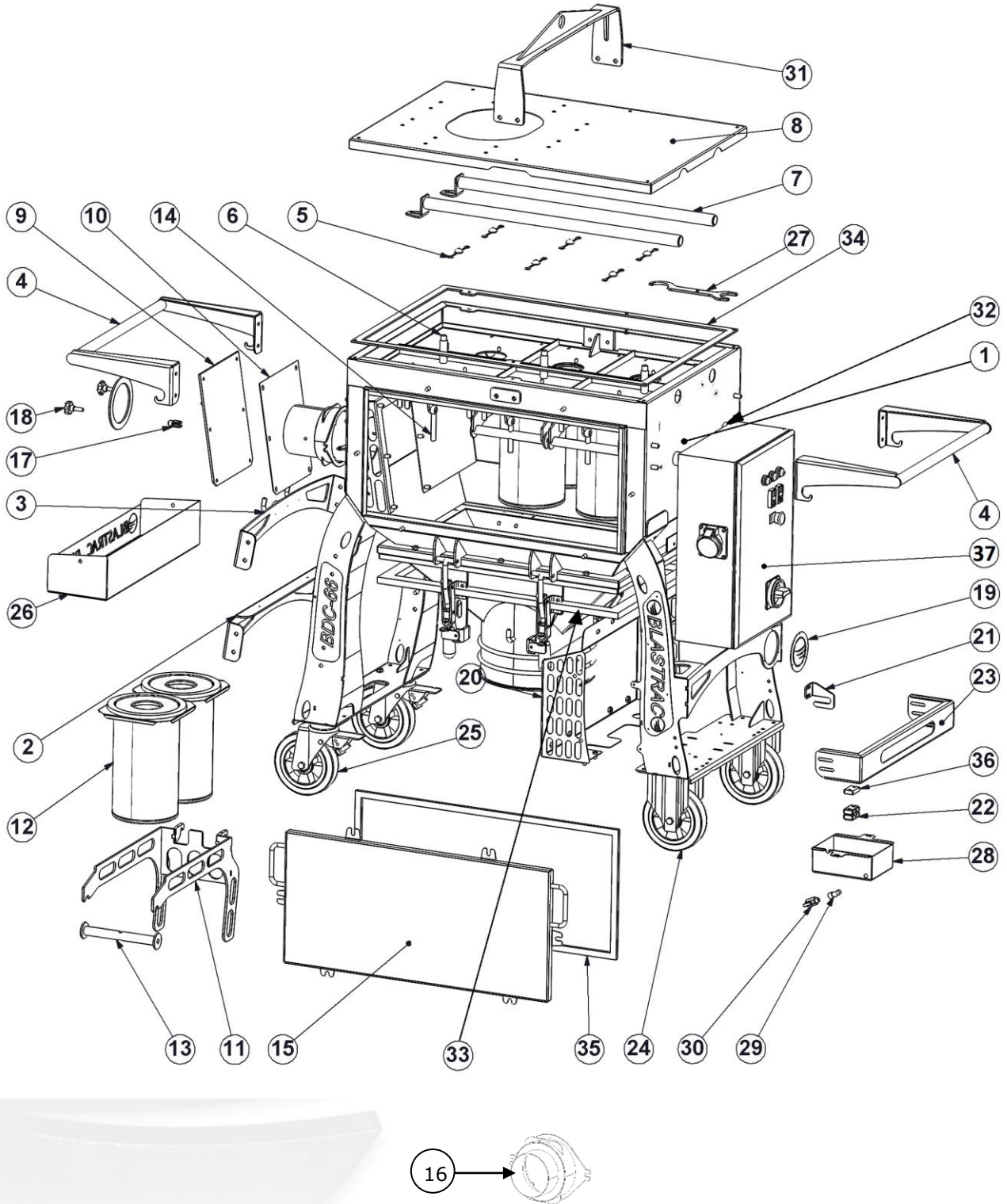




Fig. 01 General

Item	Part number	Description	Remarks	Qty.
1	E09751	Filter house		1
2	E09772	Back legs bottom bracket		1
3	E09773	Back legs upper bracket		1
4	E09754	Handle		2
5	E07763	Divider		6
6	E03466	Rubber distance		3
7	E09755	Pulse tube		2
8	E09756	Top cover		1
9	E09778	Rubber impact plate		1
10	E09757	Filters secure plate		1
11	E09758	Filter bracket		3
12	E10600	Cartridge filter		6
13	E09874	Locking bar		3
14	BE0672	Eye bolt M10x120		3
15	E09759	Door filter house		1
16	E09685	Hose adapter 150-130		1
17	BE0560	M8 fork joint 8x16		2
18	BE0577	Turning knob M8x30		2
19	E11035	Logo		1
20	E09760	Compressor cover		1
21	E09791	Bracket		1
22	999-9155	Pipe clamp 25mm (set)		1
23	E09761	Compressor protection plate		1
24	E09598	Low friction wheel		2
25	E09597	Low friction castor wheel		2
26	E09762	Box		1
27	E09767	Pulse tube key		1
28	E06932	Drain box		1
29	E03197	KNEE 1/4" MBSPT x 1/4" FBSP		1
30	E14003	Mini ball valve 1/4" m/f bsp		1
31	E09768	Lifting beam		1
32	999-9106	Shock absorber A40-20		4
33	E01309	Adhesive rubber seal 40x20		2,9m
34	E00649	Adhesive rubber seal 25x5		3,5m
35	B21189	Adhesive rubber seal 20x10		2,7m
36	E11032	Distance plate		1
37	E09226-2	Electrobox BDC-66 / SOFT	From serial number 28784B and up	1
	E09226/230ULCSA	Electrobox BDC66 DUAL 230-460V		1



Fig. 2.1 Pulse system (Up to serial number 32305B)

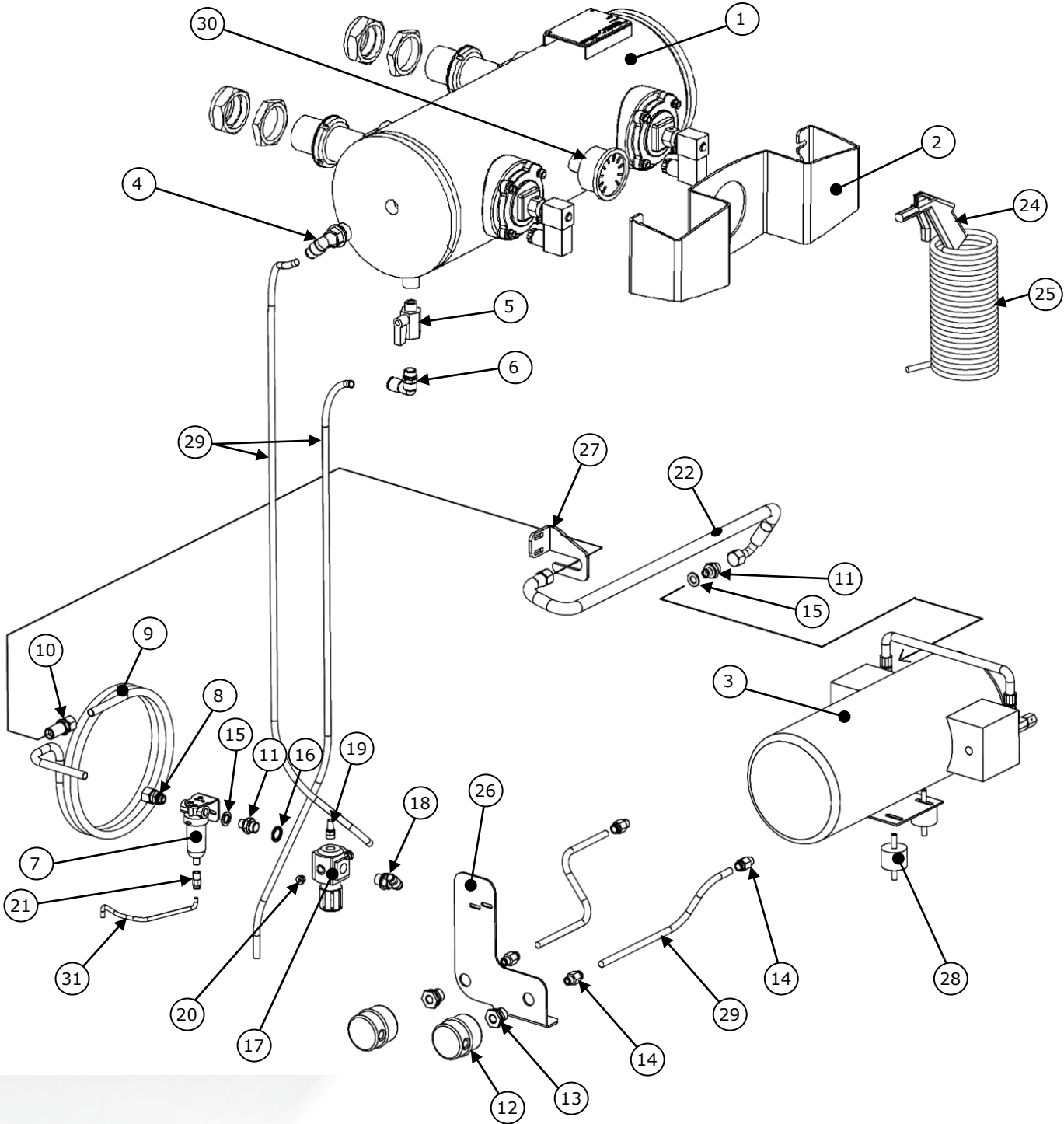




Fig. 2.1 Pulse system (Up to serial number 32305B)

Item	Part number	Description	Qty.
1	E07554	Header tank complete with 2 valves	1
2	E07756	Protection pulse valve	1
3	E06933	Compressor	1
4	B20057	Connector Angle swiveling	1
5	E14003	Mini ball valve 1/4" m/f bsp	1
6	E06923	Adaptor knee 10mm x 1/4" mbsp, swivel	1
7	E07456&E07457	Water separator & Bracket	1
8	E01925	Male stud coupling 1/4" BSP x Ø12 + Bonded seal	1
9	E06928	Cooling spiral	1
10	E06974	Right connector M18x1.5 Ø12	1
11	E06972	Adapter male 1/4" BSP x male 3/8"	2
12	E06935	Filter FS-04-025	2
13	E03158	Panel mount conn. 1/4x M20	2
14	E00674	Hose conn.straight 10x1/4"mbsp	4
15	E06972_1	Bonded seal 1/4"	2
16	E06970_1	Bonded seal 3/8"	1
17	E06948	Pressure valve V72G-3GK-NMN	1
18	E04620	Connector Angle swiveling	1
19	E00034	Dust excluder 1/4" mbsp	1
20	E06968	Plug 1/8"	2
21	E01157	Straight coupler Ø6x1/8" fbsp	1
22	E06925	Hydraulic hose M18x1.5 female x 3/8" BSP	1
24	DA--9290.1	Airpistol	1
25	DA--9290.2	Airhose 6 MM. L 5 MTR.	1
26	E14662	Water separator mounting plate UNI	1
27	E09791	Bracket	1
28	999-9107	Shock absorber A40-30	4
29	E00474	Airhose 10mm Blue	2.5m
30	E08945	Manometer	1
31	E00473	Airhose 6mm Blue	0.5m



Fig. 2.2 Pulse system (From serial number 32306B & up)

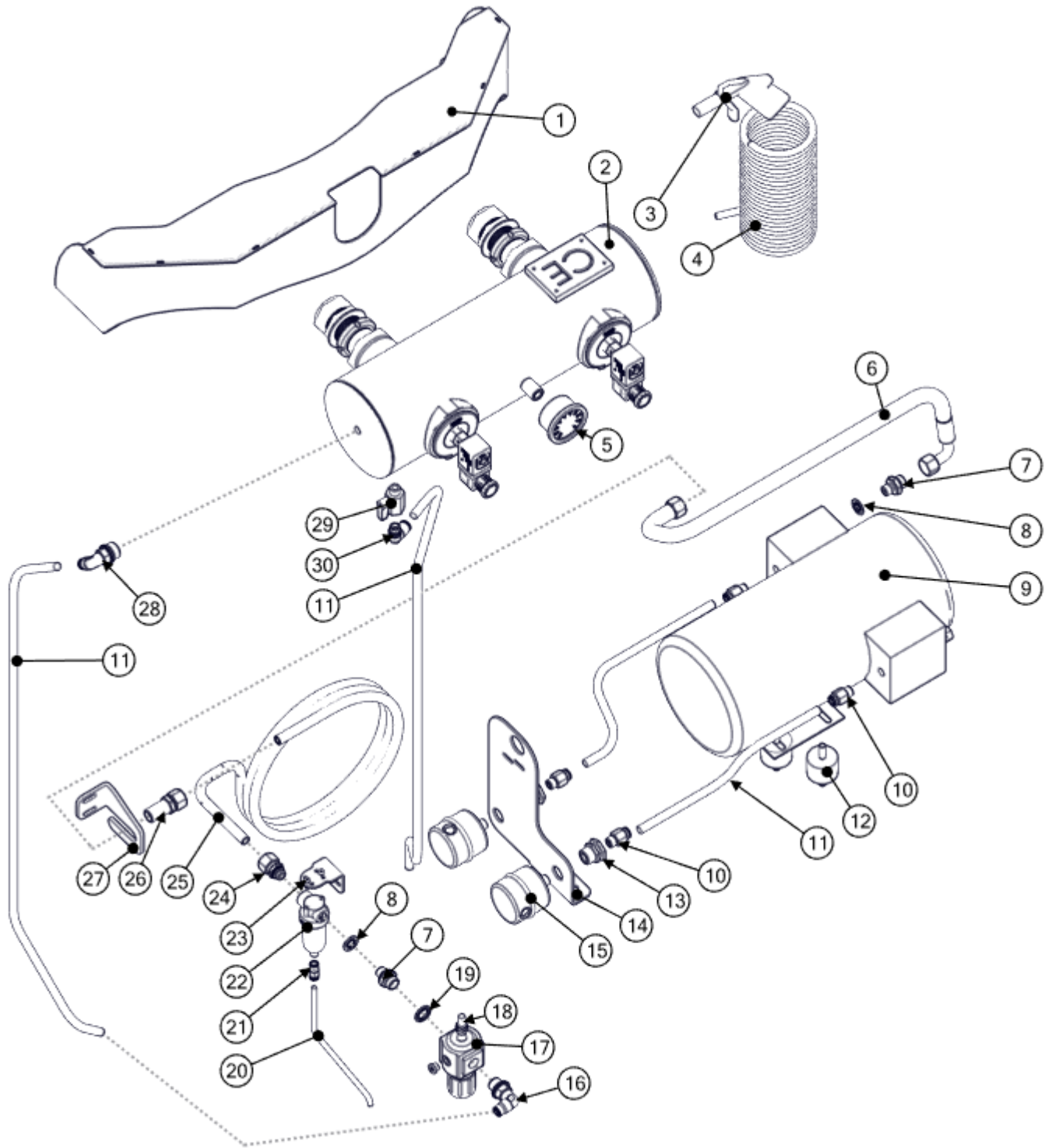


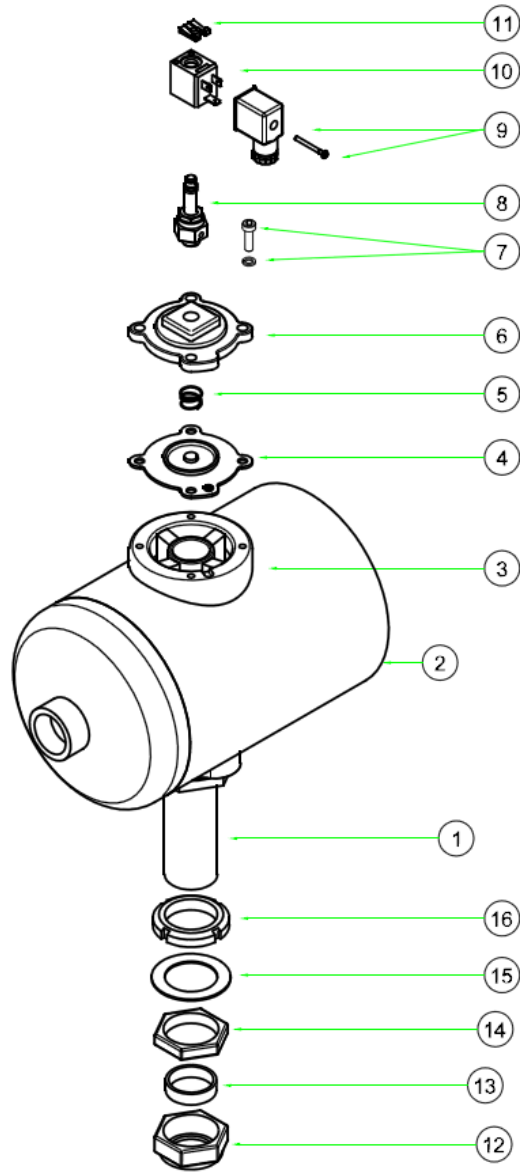


Fig. 2.2 Pulse system (From serial number 32306B & up)

Item	Part number	Description	Qty.
1	E15666	Protection cover	1
2	E07554-1	Pulse tank complete with 2 valves (5")	1
3	DA--9290.1	Airpistol	1
4	DA--9290.2	Airhose 6 MM. L 5 MTR.	1
5	E08945	Manometer	1
6	E06925	Hydraulic hose M18x1.5 female x 3/8" BSP	1
7	E06972	Adapter male 1/4" BSP x male 3/8"	2
8	E06972_1	Bonded seal 1/4"	2
9	E06933	Compressor	1
10	E00674	Hose conn.straight 10x1/4" mbsp	4
11	E00474	Airhose 10mm Blue	2.5m
12	999-9107	Shock absorber A40-30	4
13	E03158	Panel mount conn. 1/4x M20	2
14	E14662	Water separator mounting plate UNI	1
15	E06935	Filter FS-04-025	2
16	E04620	Connector Angle swiveling	1
17	E06948	Pressure valve V72G-3GK-NMN	1
18	E00034	Dust excluder 1/4" mbsp	1
19	E06970_1	Bonded seal 3/8"	1
20	E00473	Airhose 6mm Blue	0.5m
21	E01157	Straight coupler Ø6x1/8" fbsp	1
22	E07456	Water separator	1
23	E07457	Bracket for water separator	1
24	E01925	Male stud coupling 1/4" BSP x Ø12 + Bonded seal	1
25	E06928	Cooling spiral	1
26	E06974	Right connector M18x1.5 Ø12	1
27	E09791	Bracket	1
28	B20057	Connector Angle swiveling	1
29	E14003	Mini ball valve 1/4" m/f bsp	1
30	E06923	Adaptor knee 10mm x 1/4" mbsp, swivel	1



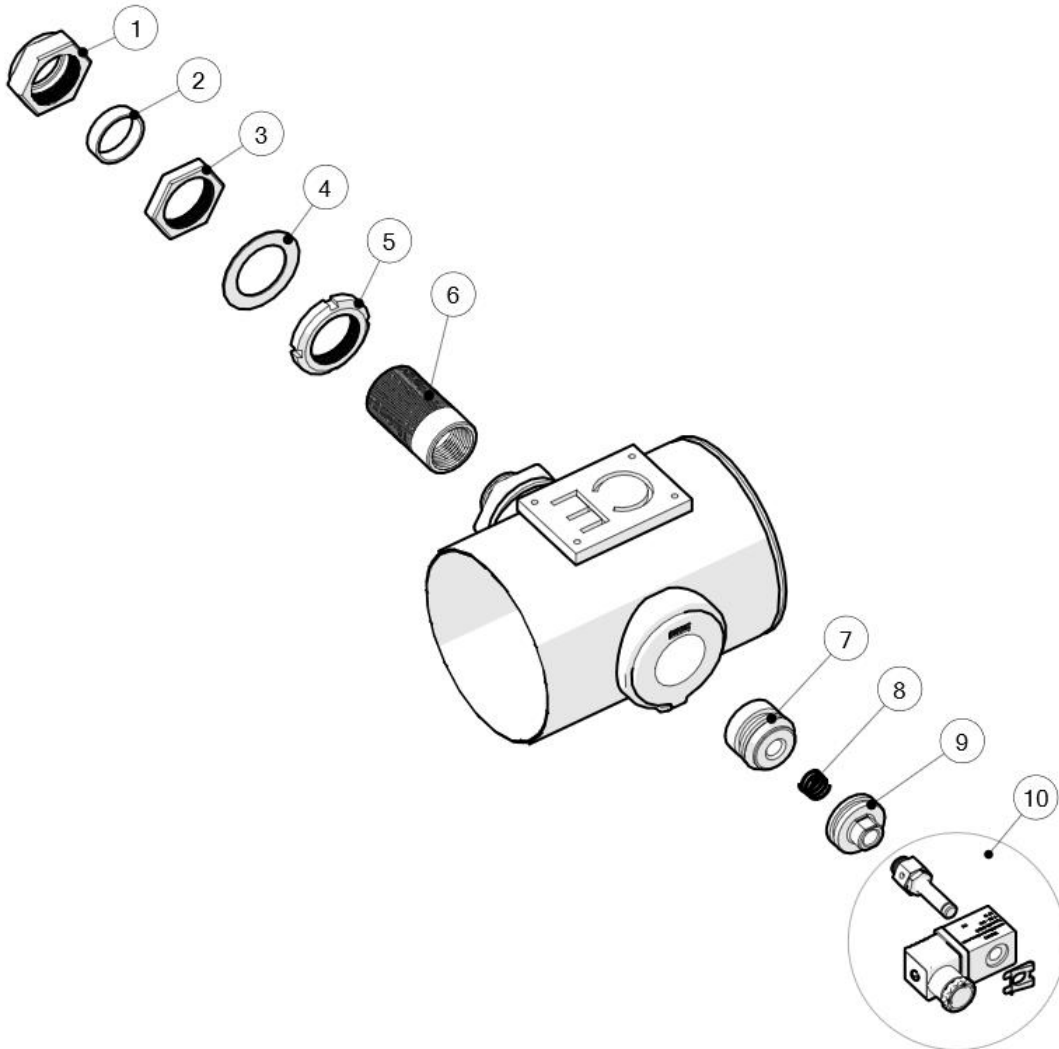
Fig. 3.1 Pulse valves (Up to serial number 32305B)



Item	Part number	Description	Qty.
1	E10326	Blow pipe	2
2	E10327	Header tank 6" only (for 2 valves)	1
3	Not Available	Body 1" integrated	2
4-7	E10359	Diaphragm 1" complete	2
8-11	E10345	Valve complete for 6" header tank	2
9	E08397	Connector + cable	2
12	E10337	Nut	2
13	E10338	Rubber sleeve	2
14	E10339	Hexagonal nut	2
15	E10340	Rubber washer	2
16	E10341	Round nut	2



Fig. 3.2 Pulse valves (From serial number 32306B & up)



Item	Part number	Description	Qty.
1	E10337	Nut	2
2	E10338	Rubber sleeve	2
3	E10339	Hexagonal nut	2
4	E10340	Rubber washer	2
5	E10341	Round nut	2
6	E19572	Coupling connection	2
7	E19575	Valve piston	2
8	E19574	Valve spring	2
9	E19573	Valve cover	2
10	E10345	Solenoid complete	2



Fig. 4.1 Blower Up to and including serialnumber 28783B

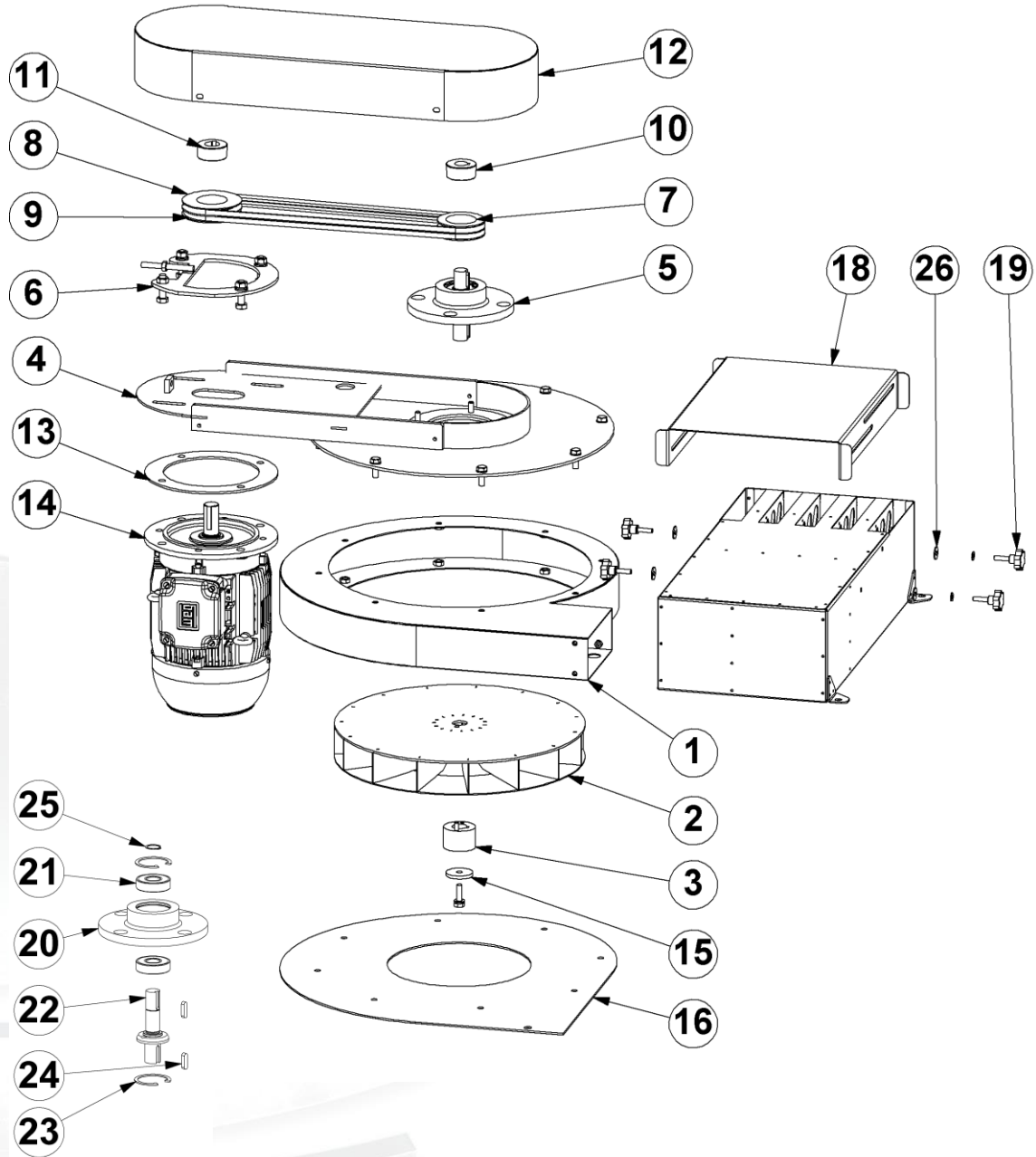




Fig. 4.1 Blower Up to and including serialnumber 28783B

Item	Part number	Description	Remarks	Qty.
1	E06989	Fan housing		1
2	E06954	Fan impeller type 1		1
3	E06965	Fan hub		1
4	E07059	Motor mounting bracket		1
5	E07594	BU fan unit (set)		1
6	E07067	Tension plate		1
7	E00620	Fan pulley	50Hz	1
	E07278	Fan pulley	60Hz	1
8	E07278	Motor pulley	50Hz	1
	E00620	Motor pulley	60Hz	1
9	E06131	V-belt		2
10	222-2301-V	Fan taperlock		1
11	976657	Motor taperlock		1
12	E07070	Belt guard		1
13	E07069	Fill up ring fan motor		1
14	E07580-IE3	Motor 5,5kW / 3000RPM		1
15	E03195	Ring fan		1
16	E09771	Distance plate		1
17	E09770	Silencer		1
18	E09769	Silencer top cover		1
19	BE0577	Turning knob M8x30		4
20	E00702	Fan adapter bearing house		1
21	E00705	Bearing		2
22	E07517	Fan shaft		1
23	E00951	Retaining ring		2
24	BE0256	Key		2
25	BE0076	Circlip for shaft		1
26	BE0327	M8 rubber washer		4



Fig. 4.2 Blower From serial number 28784B and up

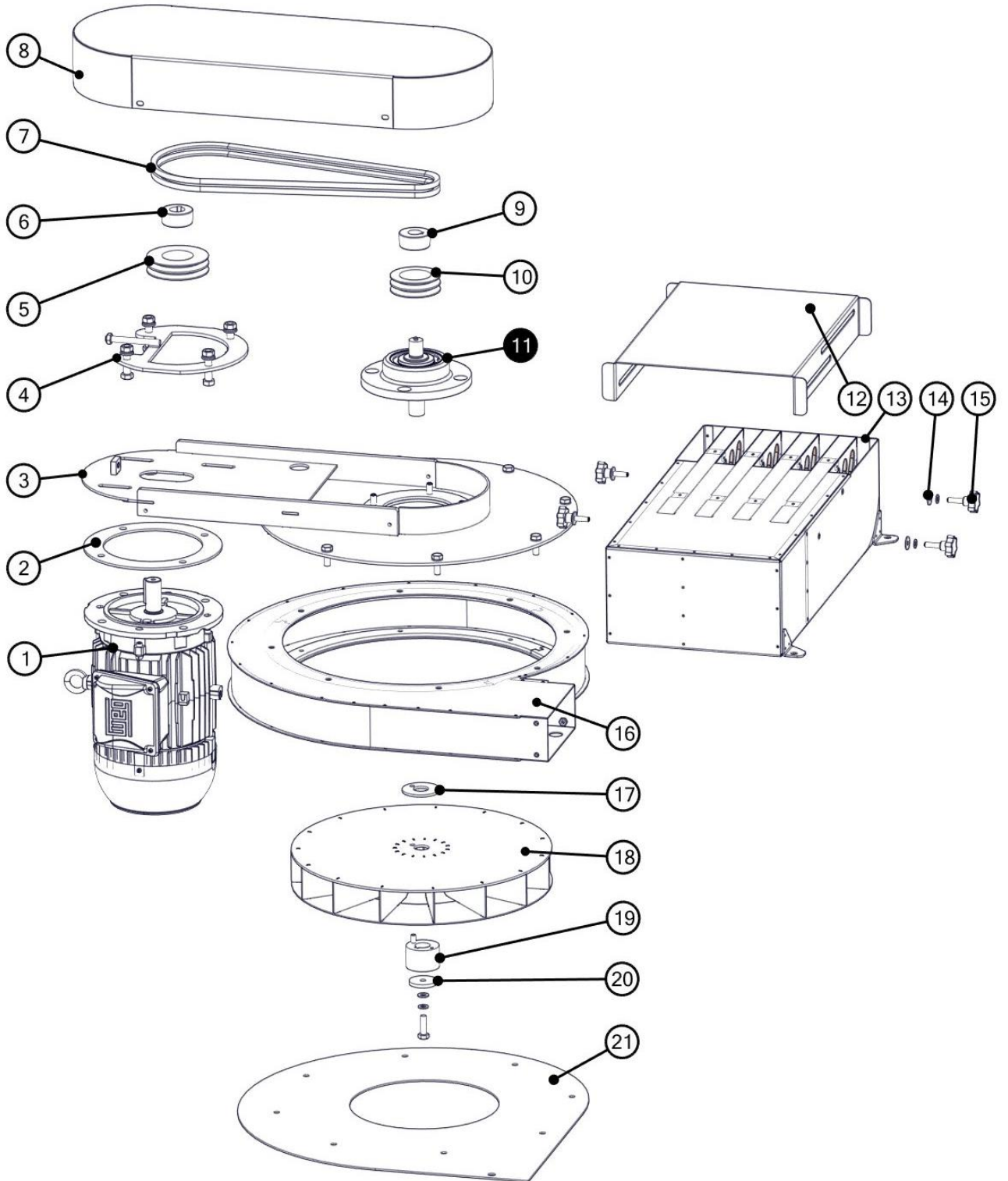


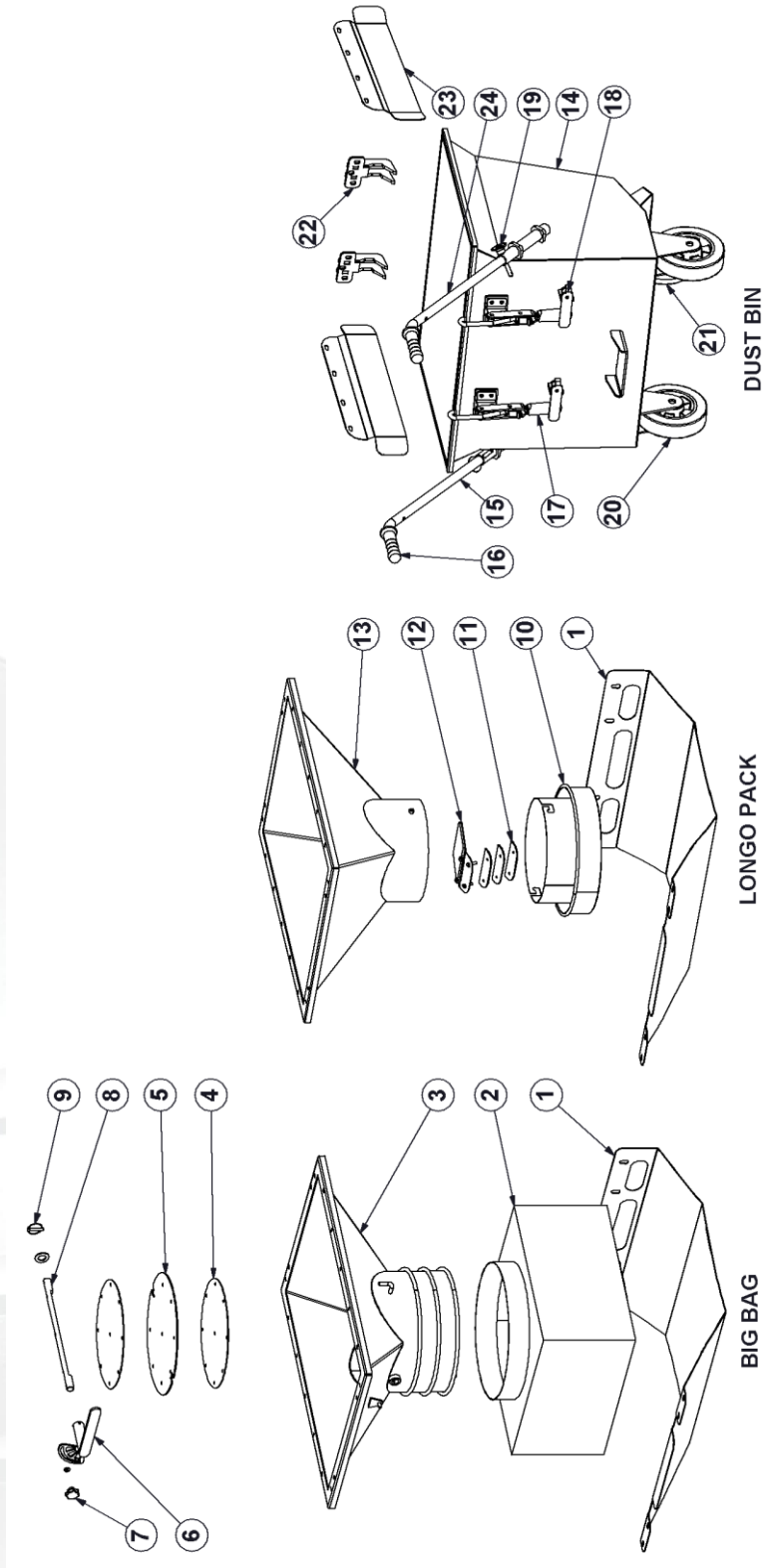


Fig. 4.2 Blower From serial number 28784B and up

Item	Part number	Description	Remarks	Qty.
1	E07580-IE3	Motor 5,5kW / 3000RPM		1
2	E07069	Fill up ring fan motor		1
3	E07059	Motor mounting bracket		1
4	E07067	Tension plate		1
5	E07278	Motor pulley	50Hz	1
	E00620	Motor pulley	60Hz	1
6	976657	Motor taperlock		1
7	E06131	V-belt		2
8	E07070	Belt guard		1
9	222-2301-V	Fan taperlock		1
10	E00620	Fan pulley	50Hz	1
	E07278	Fan pulley	60Hz	1
11	E13907	BU fan unit (set)		1
12	E09769	Silencer top cover		1
13	E09770	Silencer		1
14	BE0327	M8 rubber washer		4
15	BE0577	Turning knob M8x30		4
16	E06989	Fan housing		1
17	E14095	Fill up washer		1
18	E06954	Fan impeller type 1		1
19	E06965	Fan hub		1
20	E03195	Ring fan		1
21	E09771	Distance plate		1



Fig. 05 DB - LP - BB



25. Dust bin kit BDC66/99 complete

26. Longopac kit BDC66 complete

27. Big bag kit BDC66 complete



Fig. 05 DB – LP - BB

Item	Part number	Description	Qty.
1	E09787	Bottom plate	1
2	E06311	Dust bag 70ltr	1
	E09418	Dust bag 145ltr	1
3	E09788	Big bag adapter	1
4	E04623	Valve plate	2
5	E04624	Rubber plate valve	1
6	E09789	Valve handle	1
7	000213	Clamp knob M8	1
8	E04622	Valve axle	1
9	BE0630	Linch pin	1
10	E07655	Longo pack - bag bracket	1
11	E08500	Valve weight	3
12	E07654	Longo pack valve	1
13	E09786	Longo pack	1
14	E09783	Dust bin	1
15	E09784	Handle LH	1
16	453290	Handle grip	2
17	466450	Clamp	2
18	E09785	Dust bin lock plate	2
19	E06934	Quick release pin	2
20	E08776	Wheel	2
21	E09327	Swivel wheel	1
22	E09782	Dust bin bracket	2
23	E09884	Protection plate	2
24	E11174	Handle RH	1
25	E09573	Dust bin kit BDC66/99 complete	1
26	E09576	Longopac kit BDC66 complete	1
27	E09575	Big bag kit BDC66 complete	1



Fig. 06 HEPA-filter (Option)

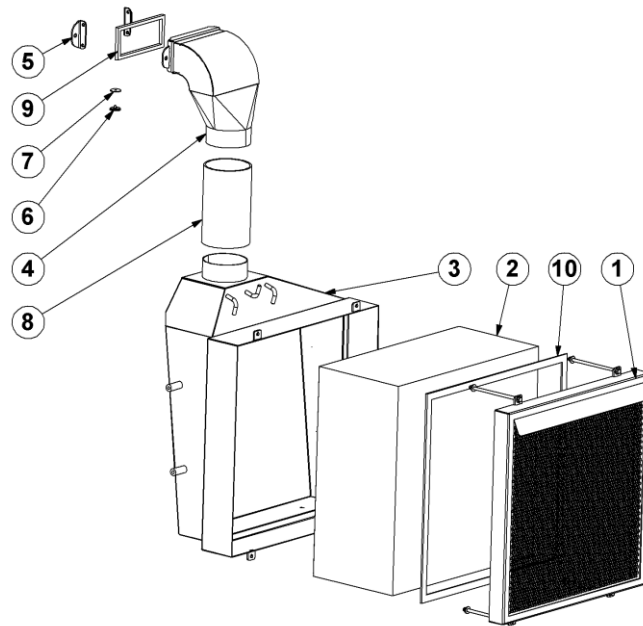
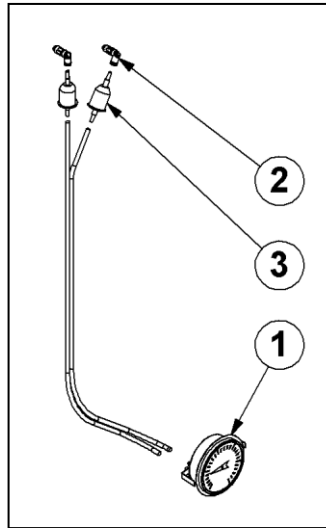


Fig. 06

Item	Part number	Description	Qty.
1	E09793	Front cover	1
2	E09795	Hepa filter class H14	1
3	E09792	Back cover	1
4	E09794	Adapter	1
5	E11000	Bracket	2
6	E11001	Hole plug	1
7	E11002	Plate	1
8	001112	Hose Ø150	0,17m
9	E11003	Adhesive rubber seal 10x10	0,55m
10	E00689	Adhesive rubber seal 20x5	2,4m
11	001109	Hose clamp 130-160mm	2
1-11	E09917	HEPA filter system complete H14 for BDC-66 & BDC-99	1



Fig. 07 Vacuum gauge (Option)



Diff. Vacuum gauge kit BDC66 & BDC99

Fig. 07

Item	Part number	Description	Qty.
1	491837	Difference pressure measure	1
2	E11039	Elbow male adaptor	2
3	2381-365	Filter vacuum gauge	2
4	E00441	PVC hose 9x6mm clear	2m
1-4	E11051	Diff. Vacuum gauge kit BDC66 & BDC99	1



BLASTRAC EUROPE

WE'RE READY TO ASSIST YOU!

BLASTRAC THE NETHERLANDS

EUROPEAN HEAD OFFICE

Utrecht haven 12
NL - 3433 PN Nieuwegein
Tel.: +31 (0)30 601 88 66
Fax: +31 (0)30 601 83 33
Email: info@blastrac.nl
WWW.BLASTRAC.EU

BLASTRAC POLAND

SALES & SERVICE CENTRE

Golina, ul. Dworcowa 47E
63-200 Jarocin
Tel.: +48 (0)62 740-41-50
Fax: +48(0)62 740-41-51
Email: info@blastrac.pl
WWW.BLASTRAC.PL

BLASTRAC FRANCE

SALES & SERVICE CENTRE

ZI - 29, Av. des Temps Modernes
F - 86360 Chasseneuil du Poitou
Tel.: +33 (0)5 49 00 49 20
Fax: +33 (0)5 49 00 49 21
Email: info@blastrac.fr
WWW.BLASTRAC.FR

BLASTRAC ITALY

SALES & SERVICE CENTRE

S.S. 10 Padana Inferiore, 41
IT - 29012 Caorso (PC)
Tel.: +39 0523 814241
Fax: +39 0523 814245
Email: info@blastrac.it
WWW.BLASTRAC.IT

BLASTRAC GERMANY

SALES & SERVICE CENTRE

Richard-Byrd-Str. 15
50829 Köln
Tel.: +49 (0) 221 709032-0
Fax: +49 (0) 221 709032-22
Email: info@blastrac.de
WWW.BLASTRAC.DE

BLASTRAC UKRAINE

SALES & SERVICE CENTRE

Nezalezhnosti 14, of. 21
07400 Brovary
Tel.: +38 (0)44 222 51 28
Fax: +38 (0)44 277 98 29
Email: info@blastrac.com.ua
WWW.BLASTRAC.COM.UA

BLASTRAC SPAIN

SALES & SERVICE CENTRE

Calle del Estío, 9
E - 28500
Arganda del Rey, Madrid
Tel.: +34 91 660 10 65
Fax: +34 91 672 72 11
Email: info@blastrac.es
WWW.BLASTRAC.ES

BLASTRAC UNITED KINGDOM

SALES & SERVICE CENTRE

Unit 2a, Outgang Lane, Dinnington
Sheffield, South Yorkshire
GB - S25 3QU
Tel.: +44 (0) 1909 / 569 118
Fax: + 44 (0) 1909 / 567 570
Email: info@blastrac.co.uk
WWW.BLASTRAC.CO.UK

BLASTRAC MIDDLE EAST

SALES & SERVICE CENTRE

P.O. box 29424
Dubai / United Arab Emirates
Tel.: +971 4 3245760
Fax: +971 4 3245761
Email: info@blastracdx.ae
WWW.BLASTRAC.AE

BLASTRAC NORDIC

SALES & SERVICE CENTRE

Lekstorps Industriväg 13D,
443 41, Gråbo
Sweden
Tel.: +46 (0) 31 30 333 55
Email: info@blastrac.se
WWW.BLASTRAC.SE

BLASTRAC INDIA

SALES & SERVICE CENTRE

G.B. Warehousing, GAT NO- 523,
Pune- Nagar Road, Wagholi
Pune- 412 207
Tel.: +91 99213 98109
Email: info.blastrac.in
WWW.BLASTRAC.IN