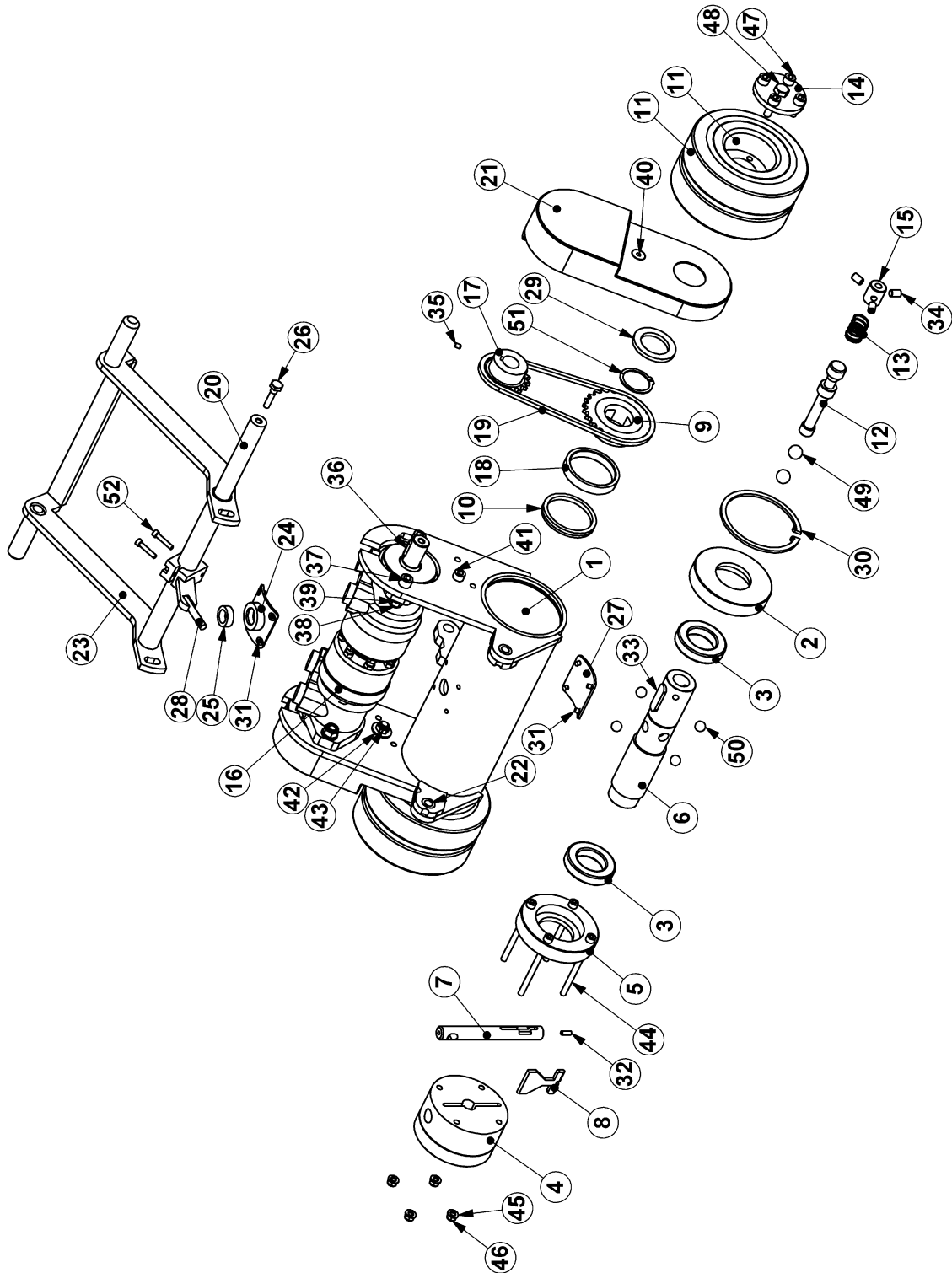




SERVICE MANUAL
BMC-335EHY/GHY
VERSION 2.7

1. Spare Parts

Drive unit

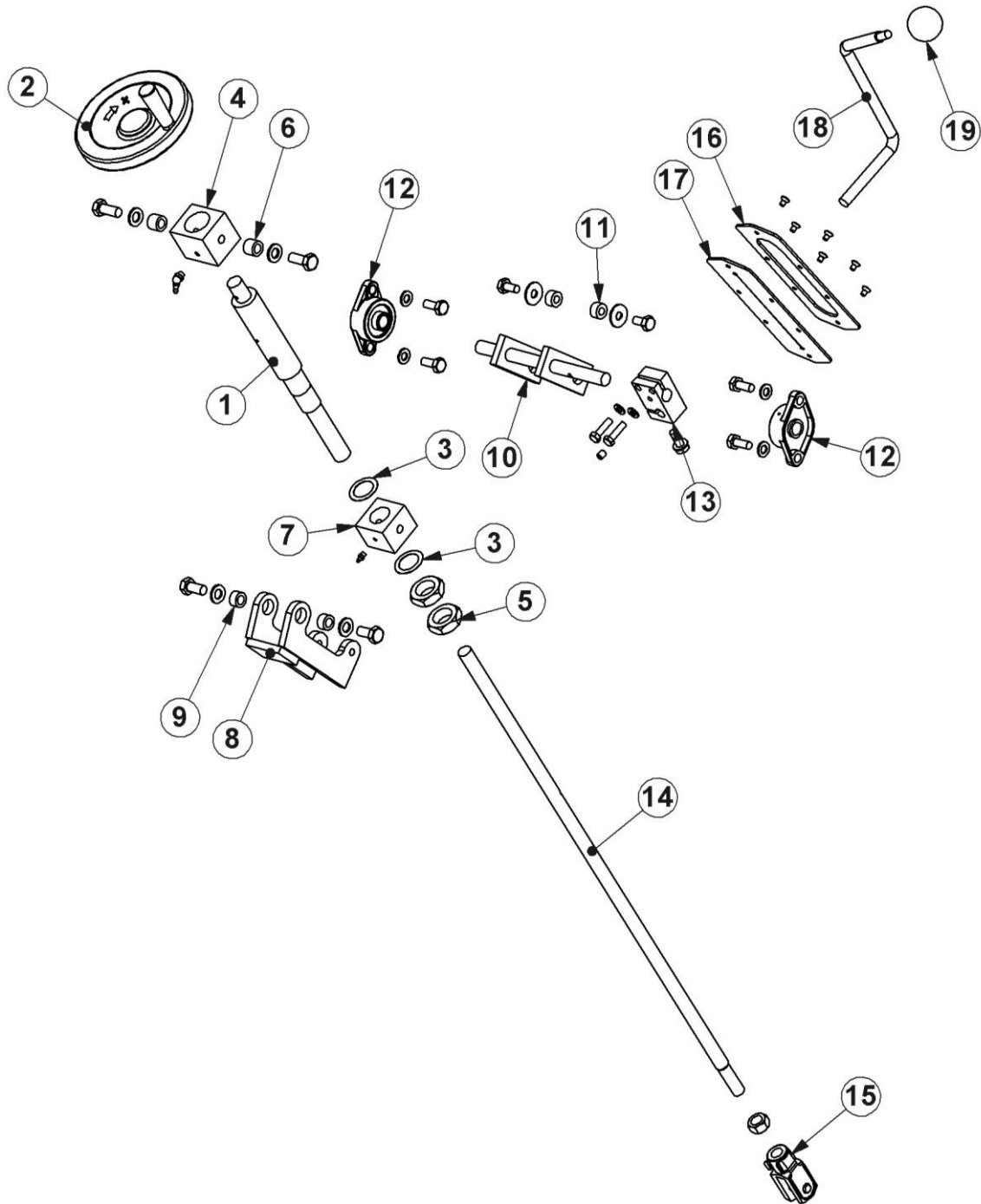




Drive unit

Item	Blastrac PN	HQV PN	Description	Remarks	Qty.
1	E03854	533240001	Drive bracket		1
2	E03863	534315801	Bearing house outer		2
3	E01477	533921501	Bearing		4
4	E03855	534396601	Clutch house		1
5	E03862	534315101	Bearing house inner		2
6	E03864	533529301	Wheel shaft		2
7	E03860	533533401	Shaft slide plate		1
8	E03861	533532901	Slide plate		1
9	E03936	534361801	Bottom sprocket		2
10	E03939	534929801	V-ring seal		2
11	E03935	533405901	Wheel complete		2
12	E03865	534414201	Coupling shaft		2
13	E03942	534868901	Spring		2
14	E03869	534561401	End plate		2
15	E03866	531456701	Spring retainer		2
16	350-4005-S	533635501	Hydraulic motor		2
17	E03945	534870901	Sprocket		2
18	E03937	534515501	Distance ring		2
19	E00237 (1.5M)+ E00238 + E00451	534024701+53393030 1+533777001	Chain complete		2
20	E03870	533205501	Hinge shaft		1
21	E03871	531495901	Chain guard		2
22	E03943	533183401	Bush		2
23	E03948	533093601	Treadle		1
24	E03946	534542001	Dust protection		1
25	E03947	533544401	Felt seal		1
26	E04035	533235101	Hinge bolt		2
27	E04034	531495301	Cover plate		1
28	E04037	531468001	Lever		1
29	E04462	533544501	Felt seal		2
30	BE0636	534806601	Circlip Ø120	DIN472	2
31	BE0453	534086601	M6x10 Countersunk head screw	DIN7991	8
32	BE0637	-	M6x16 hexagon socket set screw	DIN916	1
33	BE0638	534336101	14x9x50 Parallel key	DIN6885A	2
34	BE0194	-	M10x16 Hexagon socket screw	DIN933	6
35	BE0473	535309401	M6x8 hexagon socket head screw	DIN916	2
36	BE0256	533905401	30x8x7 Parallel key	DIN6885A	2
37	BE0199	533924101	M12x40 Hexagon socket head cap	DIN912	4
38	BE0073	534682901	M12 Lock nut	DIN985	4
39	BE0026	533250701	M12 Washer	DIN125A	4
40	BE0465	534679001	M10x40 Countersunk head screw	DIN7991	2
41	BE0195	-	M10x35 Hexagon socket head cap	DIN912	2
42	BE0029	534677301	M10 Washer Ø30	DIN9021	2
43	BE0023	533292901	M10 Lock nut	DIN985	2
44	BE0635	533368201	M8x110 Hexagon socket head cap	DIN912	4
45	BE0003	533808601	M8 Washer	DIN125A	4
46	BE0048	533511901	M8 Lock nut	DIN985	4
47	BE0443	533763201	M10x25 Hexagon socket head cap	DIN912	8
48	BE0024	-	M12x35 Bolt	DIN933	2
49	E03941	534307501	Ball Ø20	DIN4501	4
50	E03940	534307601	Ball Ø15	DIN4501	8
51	BE0124	533239101	Circlip Ø45	DIN471	2
52	BE0189	533695101	M6x30 Hexagon socket head cap	DIN912	2

Lifting device

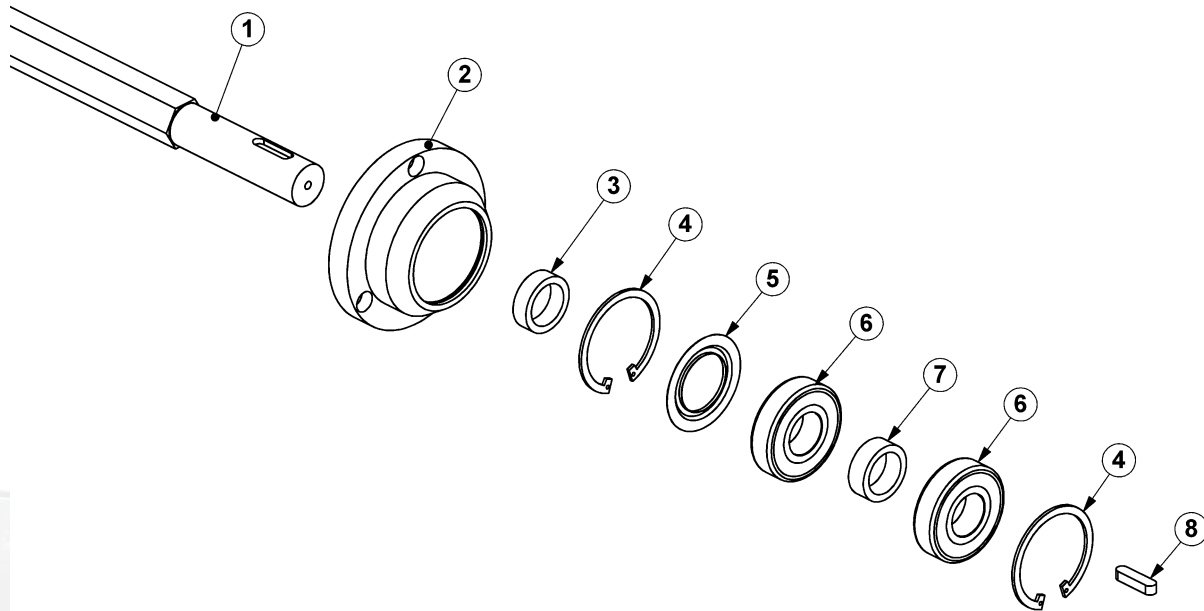




Lifting device

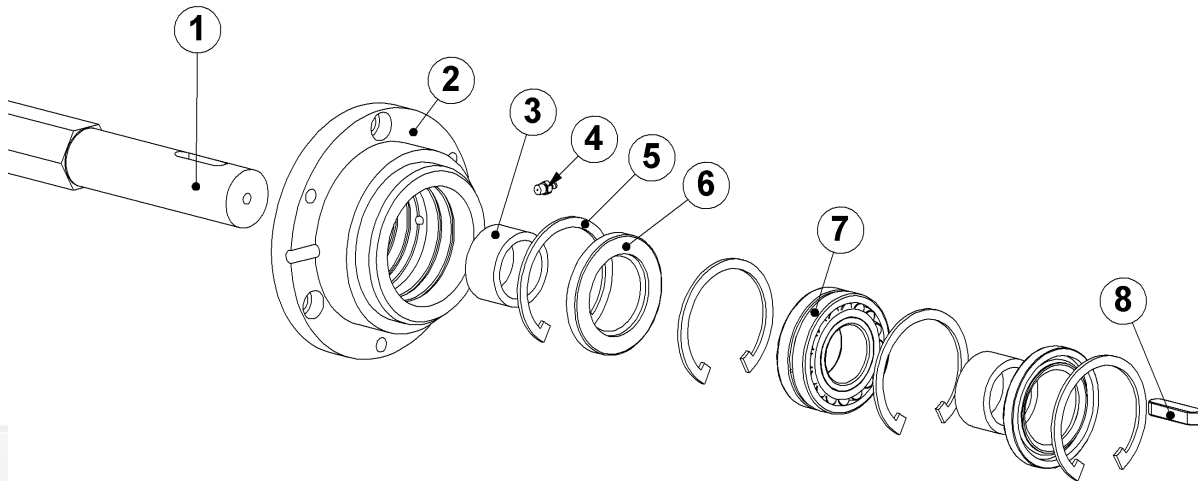
Item	Blastrac PN	HQV PN	Description	Qty.
1	E03349	533531901	Spindle sleeve	1
2	E03353	533542701	Handwheel	1
3	E03352	533380901	Shim 40x28x0.5	2
4	E03350	534915001	Upper bearing	1
5	BE1071	534687801	M27x1,5 nut	2
6	E03326	534372001	Bush	2
7	E03351	533538101	Lower bearing	1
8	E03356	534656301	Knee lever	1
9	E03363	534373301	Bushing	2
10	E03358	533245601	Knee lever axle	1
11	E03362	531469501	Bushing	2
12	E03359	534311801	Bearing	2
13	E03360	533241001	Clamping piece	1
14	E03355	533217101	Spindle	1
15	BE0561	534587801	M16 Fork Joint	1
16	E03368	533262201	Gasket cover plate	1
17	E03367	534601701	Gasket	1
18	E03365_1	533636301	Lever	1
19	E03365_2	533742401	Knob lever	1

**Bearing unit complete E03952 (old bearing unit)
Up to Serial number 9371B**



Item	Blastrac PN	HQV PN	Description	Remarks	Qty.
1	E04041	533883301	Hexagon drive shaft		1
2	E03313-1	533935501	Bearing house left		1
3	E04042	533545801	Distance ring		1
4	BE0107	533344001	Circlip Ø80	DIN472	2
5	E03312	533535601	Protection ring		1
6	E03991	533549601	Bearing		2
7	E03316	533545901	Distance bush		1
8	BE0252	533460101	Parallel key 10x8x40	DIN6885A	1
1 - 8	E03952	533285001	Bearing unit complete		1

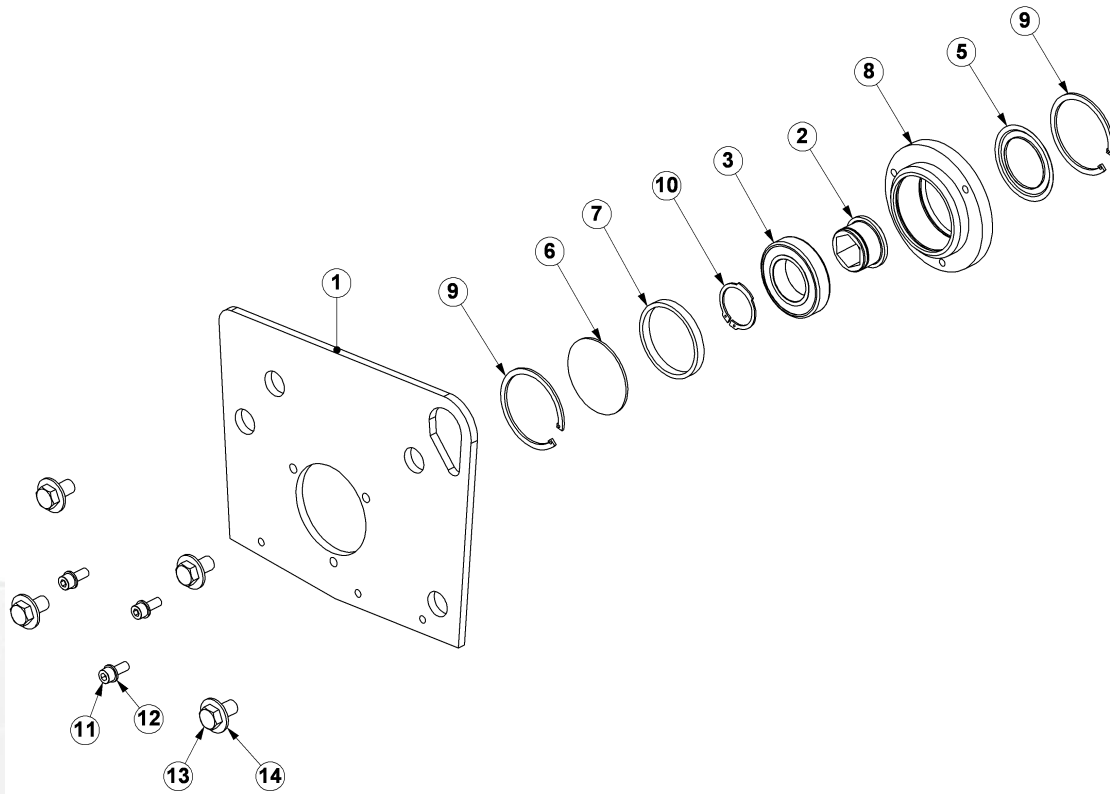
**Bearing unit complete E07799 (new bearing unit)
From Serial number 9371B**



Item	Blastrac PN	HQV PN	Description	Remarks	Qty.
1	E04041	533883301	Hexagon drive shaft		1
2	E07797	533248101	Bearing house left hand		1
3	E07796	533373101	Distance ring		2
4	BE0678	533843501	M6-180 lubrication nipple	DIN 71412A	1
5	350-2450	533218101	Circlip Ø72	DIN 472	4
6	E08701	533337901	Radial shaft seal		2
7	E08700	533611201	Bearing		1
8	BE0252	533460101	Parallel key 10x8x40	DIN6885A	1
1 - 8	E07799	533524401	Bearing unit complete		1
	E08727	-	Grease for bearing		1



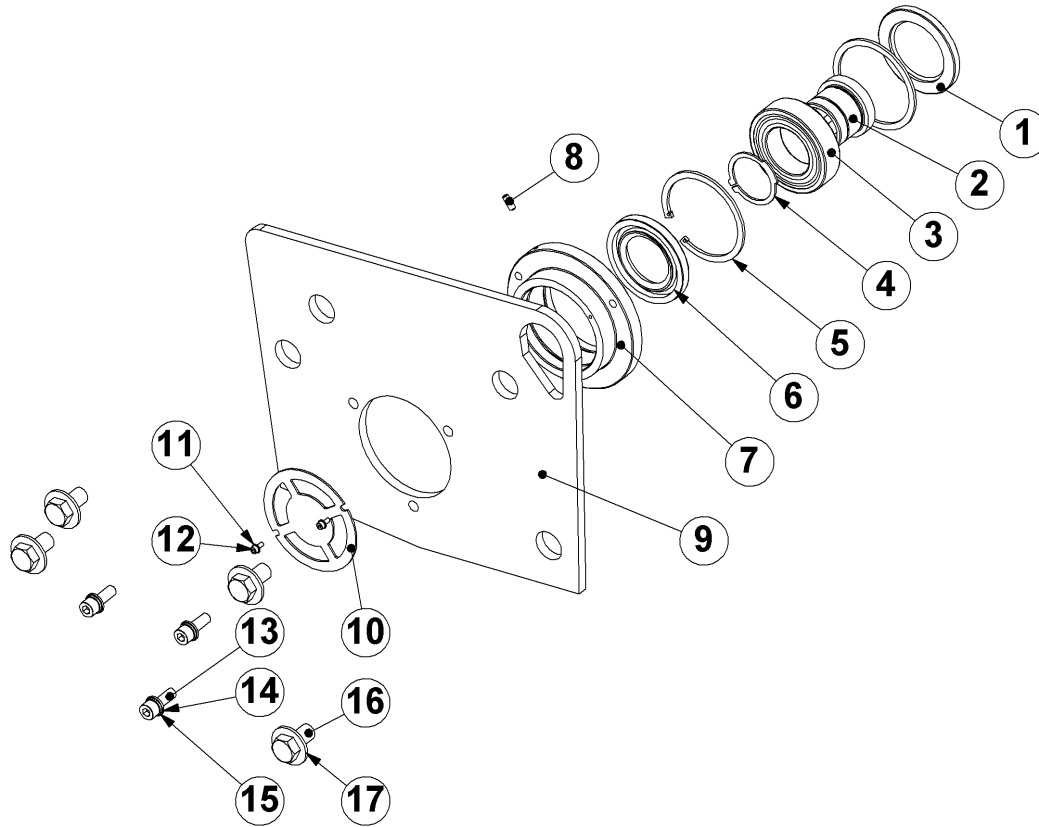
**Side plate & bearing unit (old bearing unit)
Up to Serial number 9371B**



Item	Blastrac PN	HQV PN	Description	Remarks	Qty.
1	E06312	533034801	Side plate only		1
2	E03309	533658001	Hexagon driving support		1
3	E03992	533549701	Bearing		1
5	E03310	533535501	Protection ring		1
6	E03307	533546301	Cover disk		1
7	E03308	533015701	Distance ring		1
8	E03305	533666001	Bearing housing right		1
9	E03993	533371101	Circlip Ø90	DIN472	2
10	BE0126	533220501	Circlip Ø50	DIN471	1
11	BE0443	533763201	M10x25 Hexagon socket head cap	DIN912	3
12	BE0004	533268701	M10-Washer	DIN125A	3
13	BE0585	534686801	M16x30 Bolt	DIN933	4
14	BE0306	534686501	M16-Washer	DIN125A	4
2-10	E03953	533621501	Bearing unit complete		1

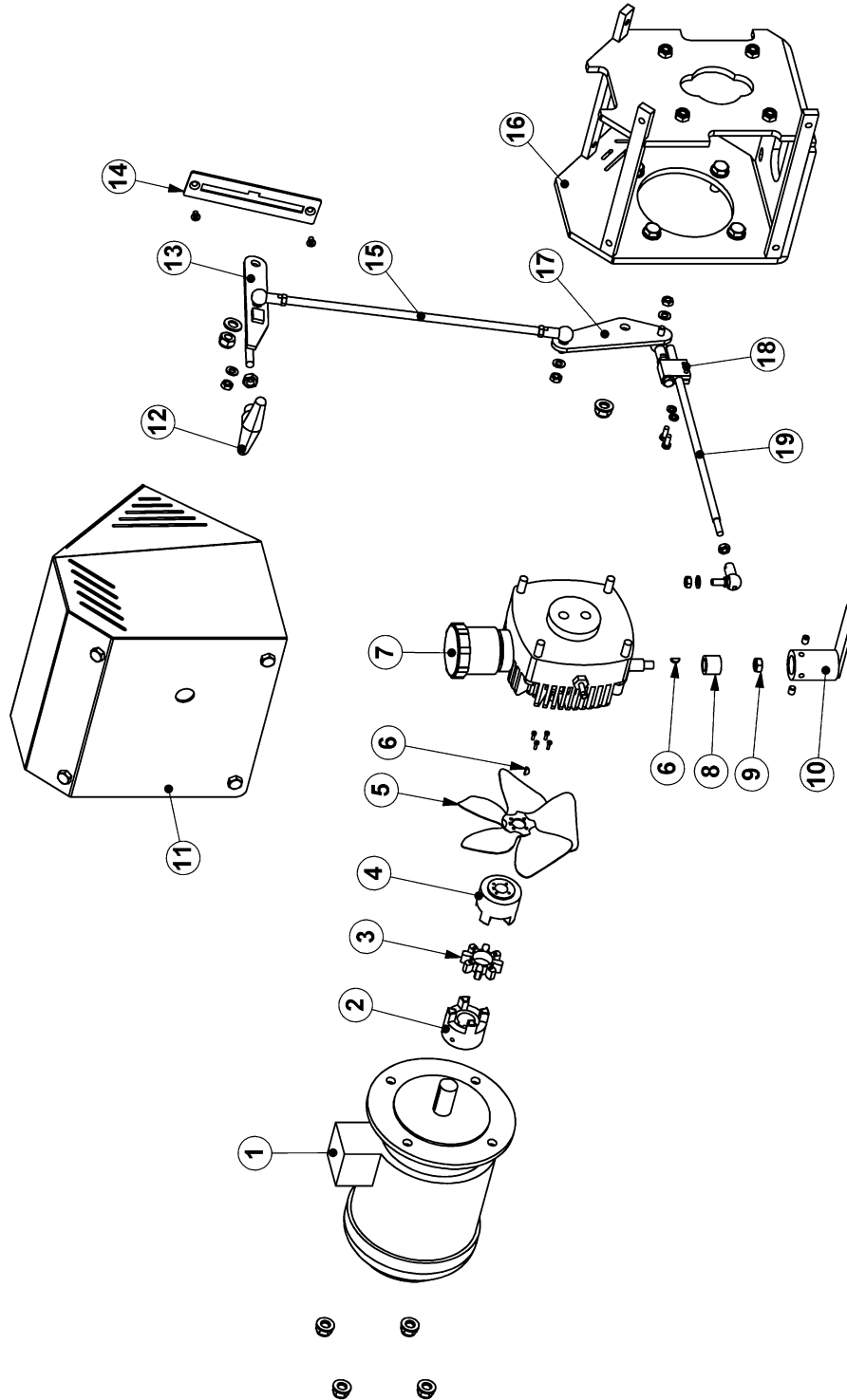


Side plate & bearing unit (New bearing unit)
From Serial number 9371B



Item	Blastrac PN	HQV PN	Description	Remarks	Qty.
1	E07779	533740901	Radial shaft seal	Ø60xØ90x8	1
2	E07778	533485001	Hexagon driving support long		1
3	E08722	533611301	Bearing		1
4	BE0126	533220501	Circlip Ø50	DIN 471	1
5	E03993	533371101	Circlip Ø90	DIN 472	2
6	E07780	533255801	Radial shaft seal	Ø50xØ90x10	1
7	E07768	533248001	Bearing house		1
8	BE0474	534691901	M6x10 set screw	DIN 916	1
9	E06312	533034801	Side plate only		1
10	E08724	533460601	Cover plate		1
11	BE0303	533466001	M4 washer	DIN 125A	2
12	BE0176	533562901	M4x10 hexagon socket head cap	DIN 912	2
13	BE0004	533268701	M10 washer	DIN 125A	3
14	BE0006	533321101	M10 spring lock washer	DIN 127B	3
15	BE0054	533685701	M10x30 hexagon socket head cap	DIN 912	3
16	BE0306	534686501	M16 washer	DIN 125A	4
17	BE0585	534686801	M16x30 bolt	DIN 933	4
1-8	E07798	533496001	Bearing unit complete		1

Hydraulic pump & drive control BMC-335 EHY

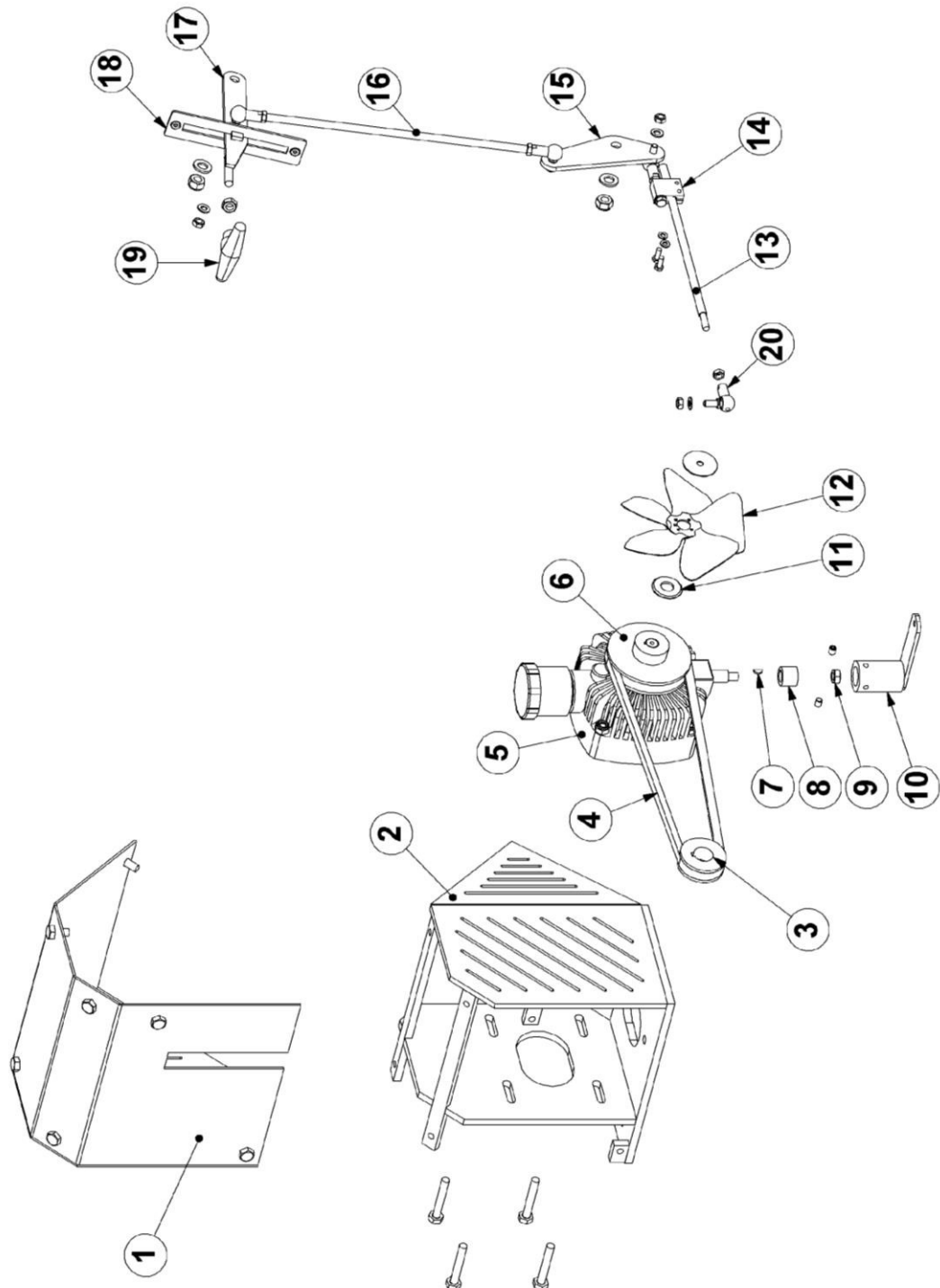




Hydraulic pump & drive control BMC-335 EHY

Item	Blastrac PN	HQV PN	Description	Qty.
1	E04001	533535001	Pump motor	1
2	E04050	533546501	Coupling part 1	1
3	E04052	533061801	Coupling insert	1
4	E04051	533546401	Coupling part 2	1
5	E03378	533423001	Fan	1
6	E03996_8	533160401	1/8 x 1/2 Woodruff key	2
7	E03996_1	-	Hydraulic pump CW	1
8	E04008	534262801	Adapter	1
9	BE0639	534733401	Nut 3/8-16 UNC	1
10	E03379	534670701	Lever	1
11	E04004	533046601	Cover	1
12	E03387	534685001	T-grip	1
13	E03984	531482901	Lever	1
14	E03366	533389601	Lock-in plate	1
15	E03385	533220701	Threated end	1
16	E04002	533108901	Bracket hydropump	1
17	E03985	533563801	Lever plate	1
18	E03388	534394101	Clamping piece	1
19	E03983	531457901	Rod	1

Hydraulic pump & drive control of BMC-335 GHY

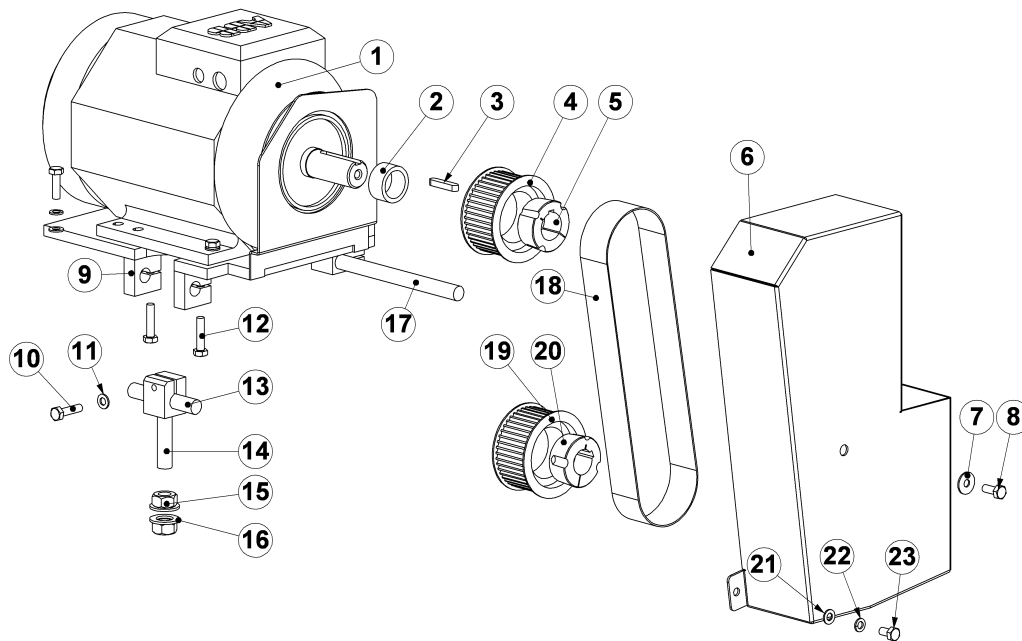




Hydraulic pump & drive control of BMC-335 GHY

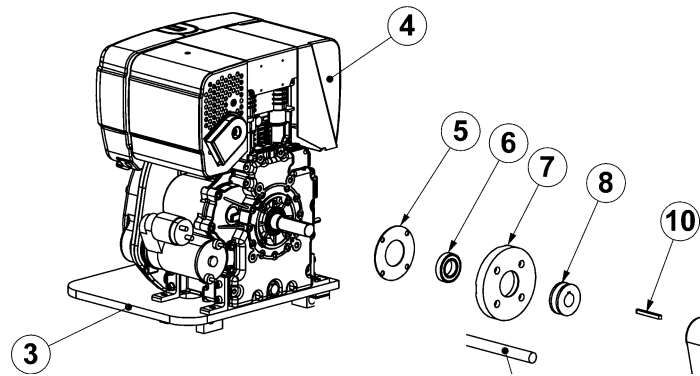
Item	Blastrac PN	HQV PN	Description	Qty.
1	E04797	534415201	Cover	1
2	E04795	534364001	Bracket hydro pump	1
3	E04780	534791101	Pulley	1
4	E06052	533469701	Belt	1
5	E03373	534638801	Hydraulic pump CCW	1
6	E03375	534926301	V-belt pulley	1
7	E03996_8	533160401	1/8 x 1/2 Woodruff key	2
8	E04008	534262801	Adapter	1
9	BE0639	534733401	Nut 3/8 – 16 UNC	1
10	E03379	534670701	Lever	1
11	E03376	534785501	Pulley washer	1
12	E06013	534570301	Fan	1
13	E03983	531457901	Rod	1
14	E03388	534394101	Clamping piece	1
15	E03985	533563801	Lever plate	1
16	E03385	533220701	Threaded end	1
17	E03984	531482901	Lever	1
18	E03366	533389601	Lock-in plate	1
19	E03387	534685001	T-grip	1
20	B20929	533793601	M8 Ball & socket joint	3

Drive BMC-335 EHY



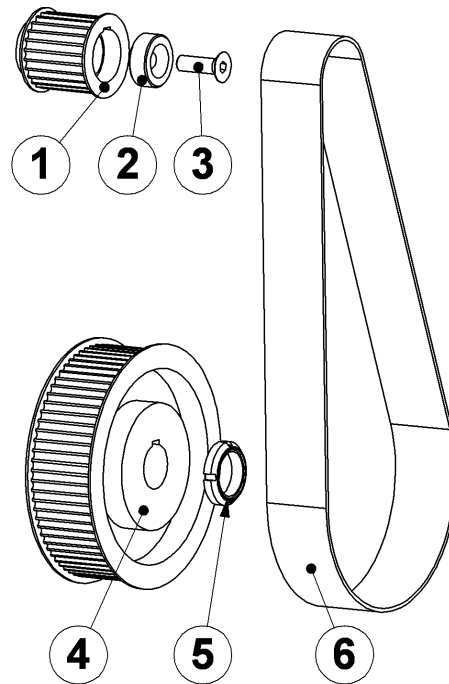
Item	Blastrac PN	HQV PN	Description	Remarks	Qty.
1	E04058/230-IE2	533654501	Motor 11 kW		1
2	E04014	534514301	Distance bush		1
3	BE0086	533374101	Parallel key 10x8x45	DIN6885A	1
4	E02036	533222501	Pulley		1
5	222-2171	533702501	Taperlock bush		1
6	E03998	531486201	Belt guard		1
7	BE0029	534677301	10 washer Ø30	DIN9021	1
8	BE0039	534678201	M10x25 hexagon bolt	DIN933	1
9	E03977	533388201	Motor base plate		1
10	BE0010	535610201	M10x40 hexagon bolt	DIN933	2
11	BE0004	533268701	M10 washer	DIN125A	1
12	BE0043	534679401	M10x45 hexagon bolt	DIN933	2
13	E03393	534357001	Bolt		1
14	E03392	534571201	Eye bolt		1
15	BE0283	534687201	M20 nut	DIN934	2
16	BE0096	534687301	M20 washer	DIN125A	2
17	E03978	533506801	Shaft motor base plate		1
18	E04697	533209201	Belt		1
19	E03636	533099201	Pulley		1
20	E04732	533439001	Taperlock bush		1
21	BE0004	533268701	M10 washer	DIN125A	1
22	BE0006	533321101	M10 spring washer	DIN127B	1
23	BE0365	-	M10x12 hexagon bolt	DIN933	1

Special items for DRIVE BMC-335 GHY



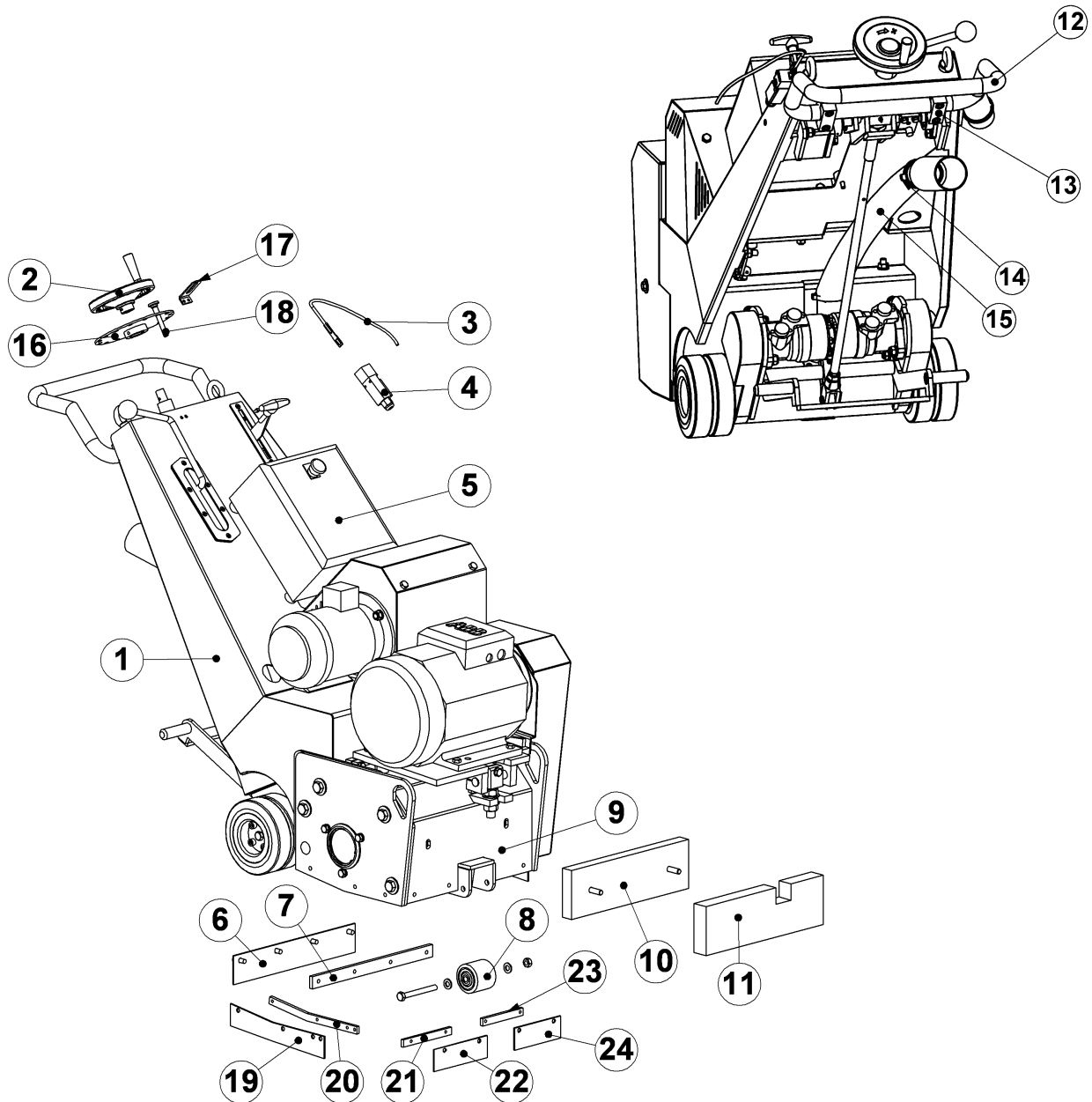
Item	Blastrac PN	HQV PN	Description	Qty.
3	E04774	534715201	Motor base plate	1
4	E04757-1	535352701	Hatz Diesel electrical start	1
5	E04049	534574201	Fill up plate	1
6	E03963	534312001	Bearing	1
7	E04047	534877801	Suspension bearing flange	1
8	E04780	534791101	Pulley	1
10	BE0086	533374101	Key 10x8x45	1

**Rebuild kit
BMC-335 to a BMP-335 (EHY and GHY versions)**



Item	Blastrac PN	HQV PN	Description	Remarks	Qty.
1	E03404	533535301	Pulley (EHY)	EHY	1
	E04784	534785001	Pulley (GHY)	GHY	1
2	E04013	533015301	Fixation bush		1
3	BE0626	533261301	M12x40 Countersunk head screw	DIN7991	1
4	E03406	533535401	Pulley		1
5	BE0087	533587301	M35 slotted nut		1
6	E04009	533843101	Belt (EHY)	EHY	1
	E06004	533110501	Belt (GHY)	GHY	1
7	E12056	534626501	Hook Wrench	Not shown in picture	
1-7	E06499	534795901	Rebuild kit (EHY)	EHY	1
	E06449/GHY	-	Rebuild kit (GHY)	GHY	1

General parts for BMC-335 EHY



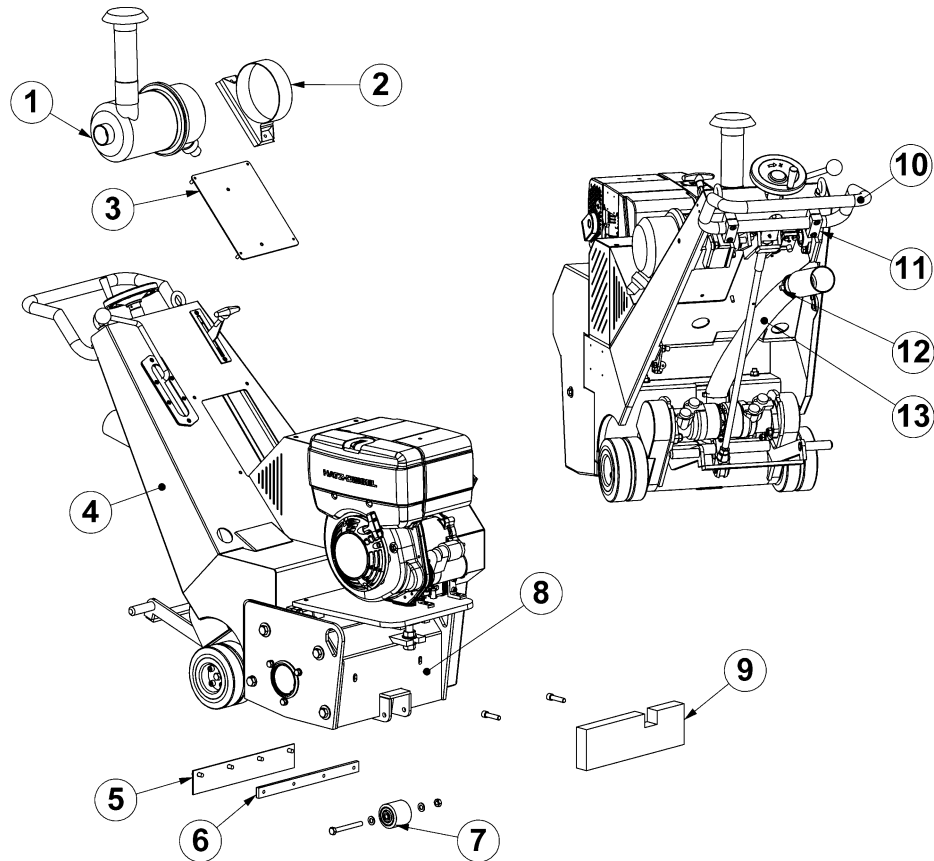


General parts for BMC-335 EHY

Item	Blastrac PN	HQV PN	Description	Qty.
1	E03974	534704901	Main body	1
2	E03353	533542701	Handwheel	1
3	BG11758	533810801	Cord for deadman switch	1
4	BG11760	533387401	Deadman switch	1
5	E06180	-	Electrical box 3x 400V 50Hz	1
	E06442	535607901	Electrical box 3x 480V UL 60Hz	1
6	E03989-1	533350201	Rubber gasket	1
7	E03321	533231701	Clamping bar	1
8	E03317	533543201	Front wheel	1
9	E06319	535198101	Frame	1
10	E03412	534941401	Weight 1	1
11	E03413	534934401	Weight 2	1
12	E03382	531483801	Handle	1
13	E03381	535344501	Clamping piece	2
14	ST-73300	534628801	Hose clamp	2
15	E00561-3	533205801	PU Hose 1.4	0.7M
16	E06440	531496201	Adjustable depth control	1
17	E06441	533231101	Fork	1
18	E06445	533226601	Locking pin	1
19	E06333-1	533096601	Rubber gasket side	2
20	E06330	533241201	Clamping bar side	2
21	E06332	533247601	Clamping bar front	1
22	E06334-1	533118501	Rubber gasket front	1
23	E06331	533284201	Clamping bar front small	1
24	E06335-1	533384101	Rubber gasket front small	1

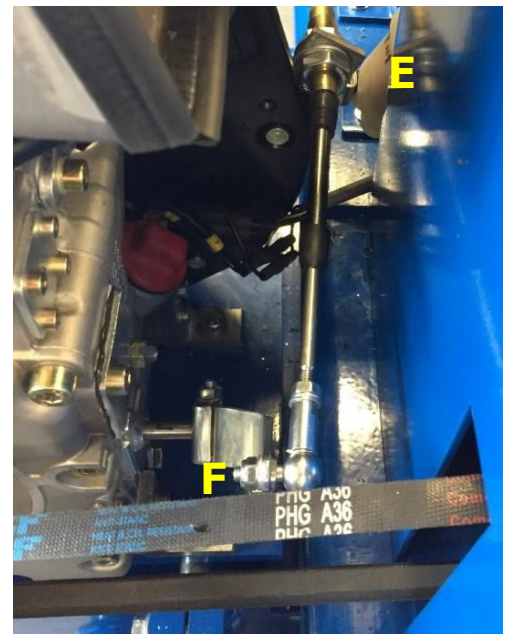
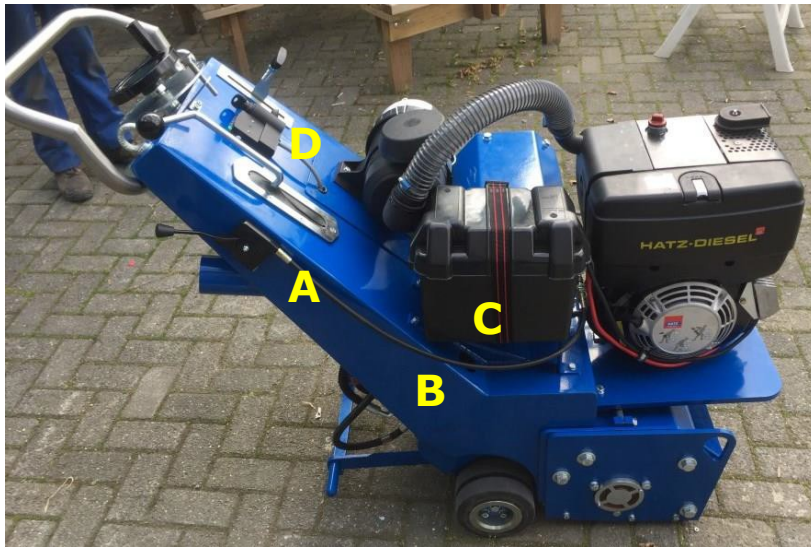


General parts for BMC-335 GHY



Item	Blastrac PN	HQV PN	Description	Qty.
1*	E01610	533594901	External filter Hatz motor	1
2*	E01613	534578701	Filter support (Hatz)	1
3	E06000	534417101	Cover plate	1
4	E03974	534704901	Main body	1
5	E03989-1	533350201	Rubber gasket	1
6	E03321	533231701	Clamping bar	1
7	E03317	533543201	Front wheel	1
8	E03931	534593201	Frame	1
9	E03413	534934401	Weight	1
10	E03382	531483801	Handle	1
11	E03381	535344501	Clamping piece	2
12	ST-73300	534628801	Hose clamp	2
13	E00561-1	535678601	Hose	0.7mtr
	E04757-1	535352701	Hatz Diesel electrical start	1
			* part of E04757-1 Hatz Diesel electrical start set	

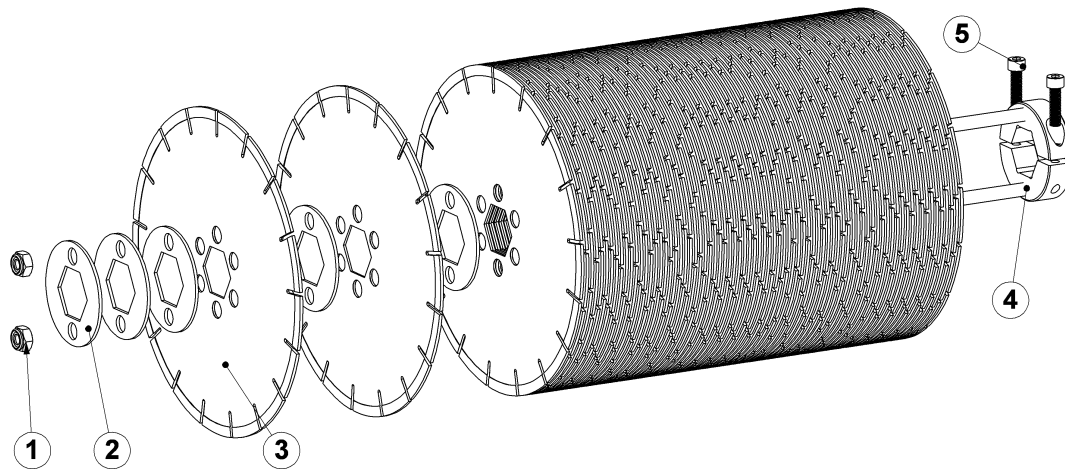
Additional spare parts BMC-335 GHY



Item	Blastrac PN	HQV PN	Description	Qty.
A	B20519	533839501	Cable control unit	1
B	B20520	533879301	Control cable	1
C	E12867	534309901	Battery package 335	1
	E12867/1	-	Battery of set E12867	1
	E12867/2	-	Red cable 25mm ²	1
	E12867/3	-	Black cable 25mm ²	1
	E12898	-	Power switch Hella	1
	-	-	Battery clamp +BA71	1
	-	-	Battery clamp - BA74	1
	-	-	Battery box small	1
	-	-	Ring cable connector 16-25 mm ²	2
D	E12878	534641001	Ignition switch bracket	1
E	E12879	534410101	Control cable bracket	1
F	BE0769	-	M8 Ball joint right cs	1



Sawing drum



Item	Blastrac PN	HQV PN	Description	Remarks	Qty.
1	BE0023	533292901	M10 lock nut	DIN985	2
2	E06079	533806001	Spacer ring 2.5mm	Standard	85 / 103
	E07497	534856201	Spacer ring 1.0mm	Option	
	E07549	533078201	Spacer ring 3.0mm	Option	
3	E12034	535913601	Diamond blade Ø255 GREEN 30/40	Universal floors	80 / 54
	E12034BL	534510701	Diamond blade Ø255 BLUE 30/40	Soft floors	80 / 54
	E12034RD	534510901	Diamond blade Ø255 RED 30/40	Hard floors	80 / 54
4	E06078	533236201	Drum for diamond blades		1
5	BE0438	533766301	M8x30 hexagon socket head cap	DIN912	2

Width of sawing [mm]	BMC-335 EHY		BMC-335 GHY	
	Qty. of blades	Qty. of Spacer ring 2.5mm	Qty. of blades	Qty. of Spacer ring 2.5mm
340	80	85	54	103
300	71	92	54	103
250	59	100	54	103
200	47	108	47	108
150	35	116	35	116
100	24	125	24	125
50	12	133	12	133

For a finer sawing result:

Replace the normal standard Spacer ring 2.5mm (E06079) by Spacer ring 1.0mm (E07497).

For a coarser sawing result:

Replace the normal standard Spacer rings 2.5mm (E06079) by Spacer ring 3.0mm (E07549).

NOTE:

80 sawing blades is always the maximum allowed amount of blades on the drum for EHY
54 sawing blades is always the maximum allowed amount of blades on the drum for GHY



Headquarter

Blastrac The Netherlands

Utrechthaven 12
 NL – 3433 PN Nieuwegein
 Tel – 0031 30 601 88 66
 Fax – 0031 30 601 83 33
 Info@blastrac.nl

Blastrac United Kingdom

Unit 2a, Outgang Lane, Dinnington
 Sheffield, South Yorkshire
 GB – S25 3QU, England
 Tel – 0044 1909 56 91 18
 Fax – 0044 1909 56 75 70
 Info@blastrac.co.uk

Blastrac France (ZI)

29, Avenue des Temps Modernes
 F – 86360 Chasseneuil du Poitou
 Tel – 0033 549 00 49 20
 Fax – 0033 549 00 49 21
 Info@blastrac.fr

Blastrac Poland

Golina, Dworcowa 47E
 PL – 63-200 Jarocin
 Tel – 0048 627 40 41 50
 Fax – 0048 627 40 41 51
 Info@blastrac.pl

Blastrac Germany

Richard Byrd Straße 15
 D – 50829 Köln (Ossendorf)
 Tel – 0049 221 70 90 32 0
 Fax – 0049 221 70 90 32 22
 Info@blastrac.de

Blastrac Italy

S.S. 10 Padana Inferiore, 41
 IT – 29012 Caorso (PC)
 Tel – 0039 0523 81 42 41
 Fax – 0039 0523 81 42 45
 Info@blastrac.it

Blastrac Spain

Calle del Estio, 9
 E – 28820 Coslada
 Tel – 0034 91 660 10 65
 Fax – 0034 91 672 72 11
 Info@blastrac.es

Blastrac Ukraine

Nezalezhnosti 14, of. 21
 UA – 07400 Brovary
 Tel – 0038 44 222 51 28
 Fax – 0038 44 277 98 29
 Info@blastrac.com.ua