



# SERVICE MANUAL BMP-265 E/B

VERSION 3.9  
From serial number 16057B and up



**Inspection comments**

Inspection before initial operation on:	_____
By:	_____
Date of initial operation:	_____
Serial number & Year of manufacture:	_____

**Recurring inspections / maintenance log**

Date / Hour counter	Findings	Repairs / Cleaning	Test on	By*

\*competent person



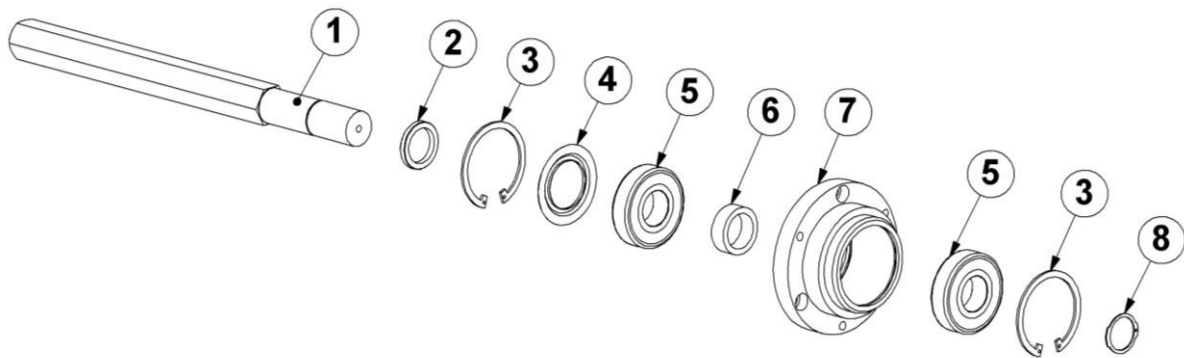
## Index

<b>1. Spare parts</b>	<b>03</b>
<b>2. Assembly plans</b>	<b>12</b>
<b>3. Electric schedules</b>	<b>15</b>
<b>Contact</b>	<b>19</b>



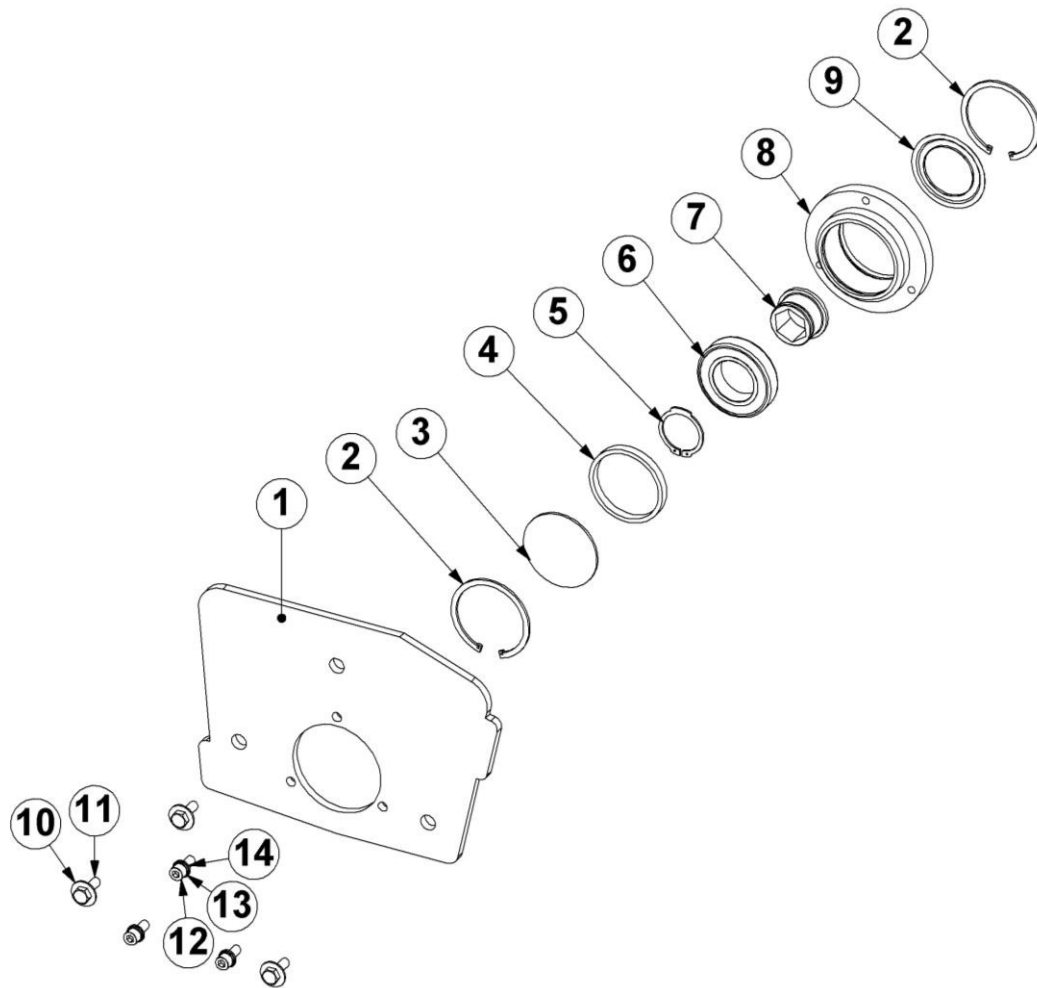
## 1. Spare parts

Fig. 01 Left bearing unit complete



Item	Blastrac PN	HQV PN	Description	Remarks	Qty.
1	E04067	534623901	Hexagon drive shaft		1
2	E04703	534515601	Distance ring		1
3	BE0107	533344001	Circlip Ø80	DIN472	2
4	E03312	533535601	Protection ring		1
5	E03991	533549601	Bearing		2
6	E03316	533545901	Distance bush		1
7	E03313-1	533935501	Bearing housing left		1
8	E03721	533001701	Circlip Ø35	DIN471	1
1-8	E04702	534575301	Left BU complete		

**Fig. 02 Side plate & bearing unit**



Item	Blastrac PN	HQV PN	Description	Remarks	Qty.
1	E04066	534841601	Side plate only		1
2	BE0125	534389501	Circlip Ø90	DIN472	2
3	E03307	533546301	Cover disk		1
4	E03308	533015701	Distance ring		1
5	BE0126	533220501	Circlip Ø50	DIN471	1
6	E03992	533549701	Bearing		2
7	E03309	533658001	Hexagon driving support		1
8	E03305	533666001	Bearing housing right		1
9	E03310	533535501	Protection ring		1
10	BE0062	534064101	M10 washer Ø30		3
11	BE0040	534678501	M10x30 hexagon screw	DIN933	3
12	BE0443	533763201	M10x25 hexagon head cap scr.	DIN912	3
13	BE0006	533321101	M10 spring lock washer	DIN127B	3
14	BE0004	533268701	M10 washer	DIN125-1A	3
2-9	E03953	533621501	Bearing unit complete		



**Fig.03 Lifting device**

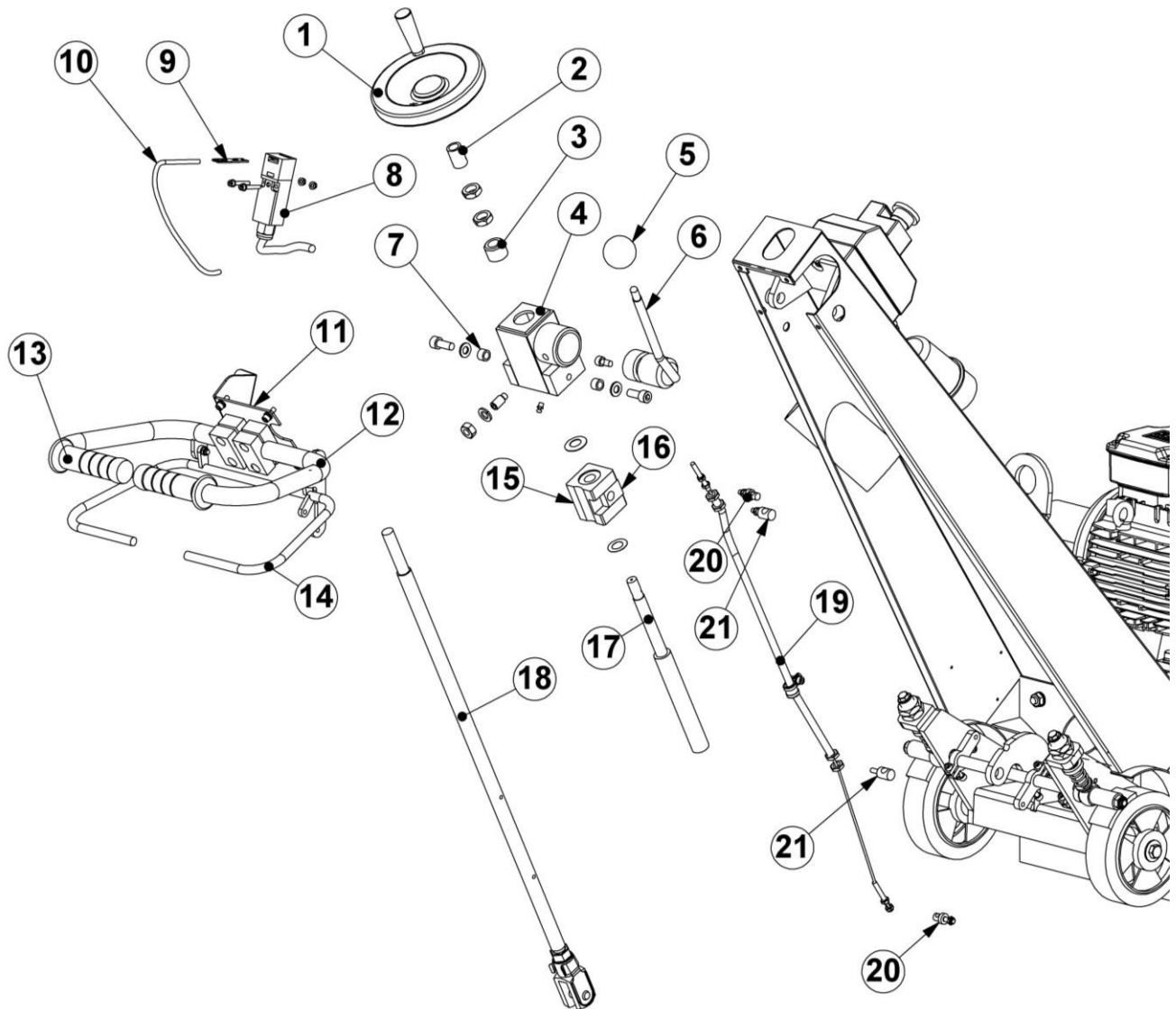
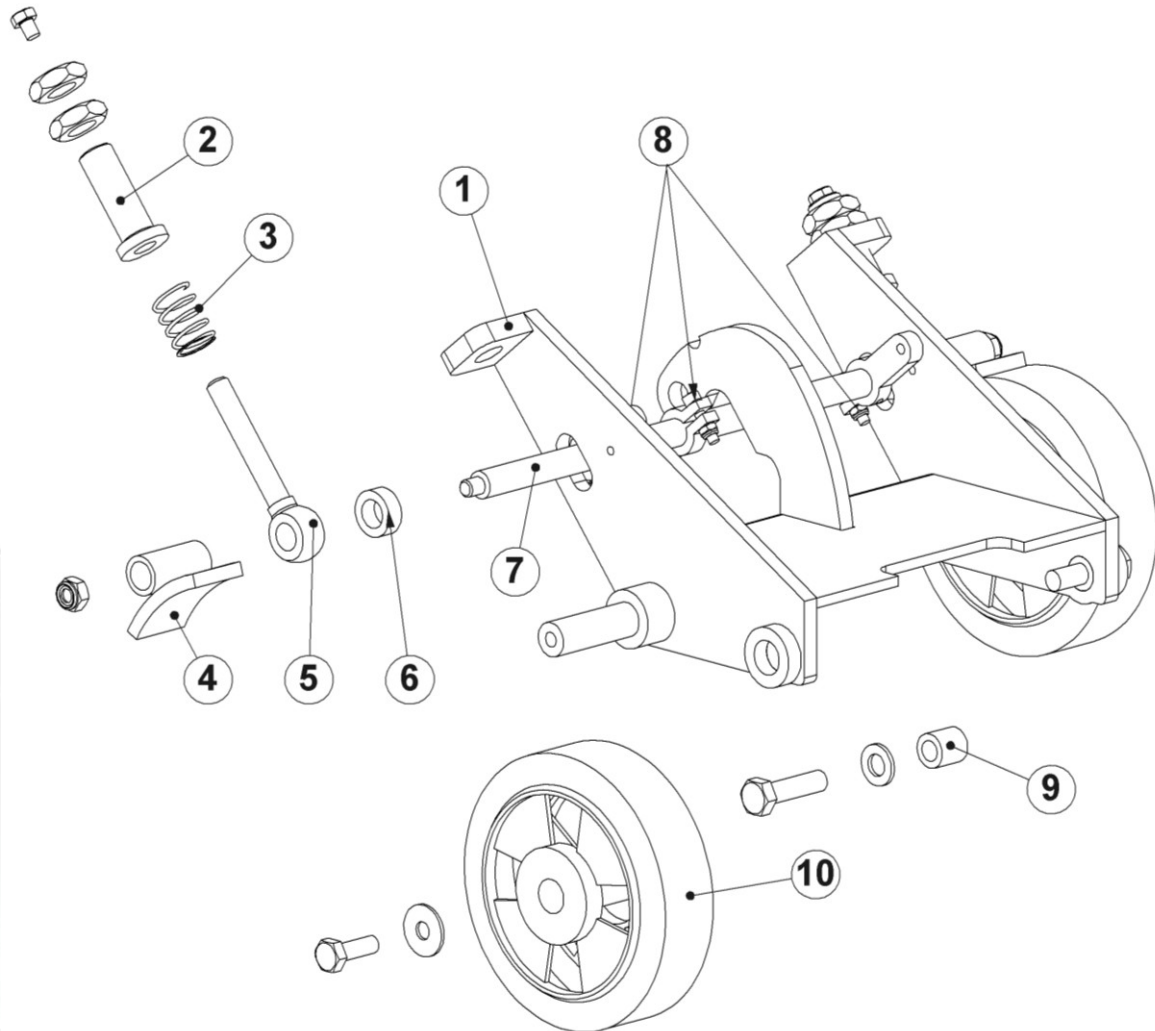


Fig. 03 Lifting device

Item	Blastrac PN	HQV PN	Description	Qty.
1	E03353	533542701	Handwheel	1
2	E04410	534372201	Bush	1
3	E04097	534514401	Distance bush	1
4	E04472	535260701	Lifting support	1
5	E03365_2	533742401	Ball knob	1
6	E04473	534789501	Quick lift lever	1
7	E04400	534372101	Bush	2
8	BG11760	533387401	Deadman switch for E-version	1
	E07466	533889401	Deadman switch for P-version	1
9	BG11759	533289101	Key for deadman switch	1
10	BG11758	533810801	Cord for deadman switch	1
11	E04555	534613701	Handle mounting plate	1
12	E06208	534611001	Handle	1
12	453290	534612901	Handle grip	2
14	E06185	534365901	Brake lift handle	1
15	E04098	534846801	Slide block	1
16	E04474	534847301	Slide block insert	1
17	E03625	534858701	Spindle sleeve	1
18	E04709	534865701	Spindle	1
19	E12004	534376301	Cable 3mm (from off # 16057B)	1
	E06178	533298501	Cable 2mm (old) replaced by E12004	1
20	E06186	534377901	Cable holder small	2
21	E12001	534378001	Cable holder big	2

If you replace the old cable 2mm E06178 by the new cable 3mm E12004, you also need to order 2x E12001.

**Fig. 04 Wheel bracket**



Item	Blastrac PN	HQV PN	Description	Qty.
1	E04073	535260401	Wheel bracket	1
2	E04470	534861201	Spring adjuster	2
3	E06077	534869001	Spring	2
4	E04471	534366201	Brake shoe	2
5	E04469	534571301	Eye bolt	2
6	E04464	535902001	Distance ring	2
7	E04463	534365501	Brake axle	1
8	E06177	534666201	Lift up lever	3
9	E03943	533183401	Bush	2
10	E03603	533771201	Wheel	2



**Fig. 05**

**Electric and petrol drive**

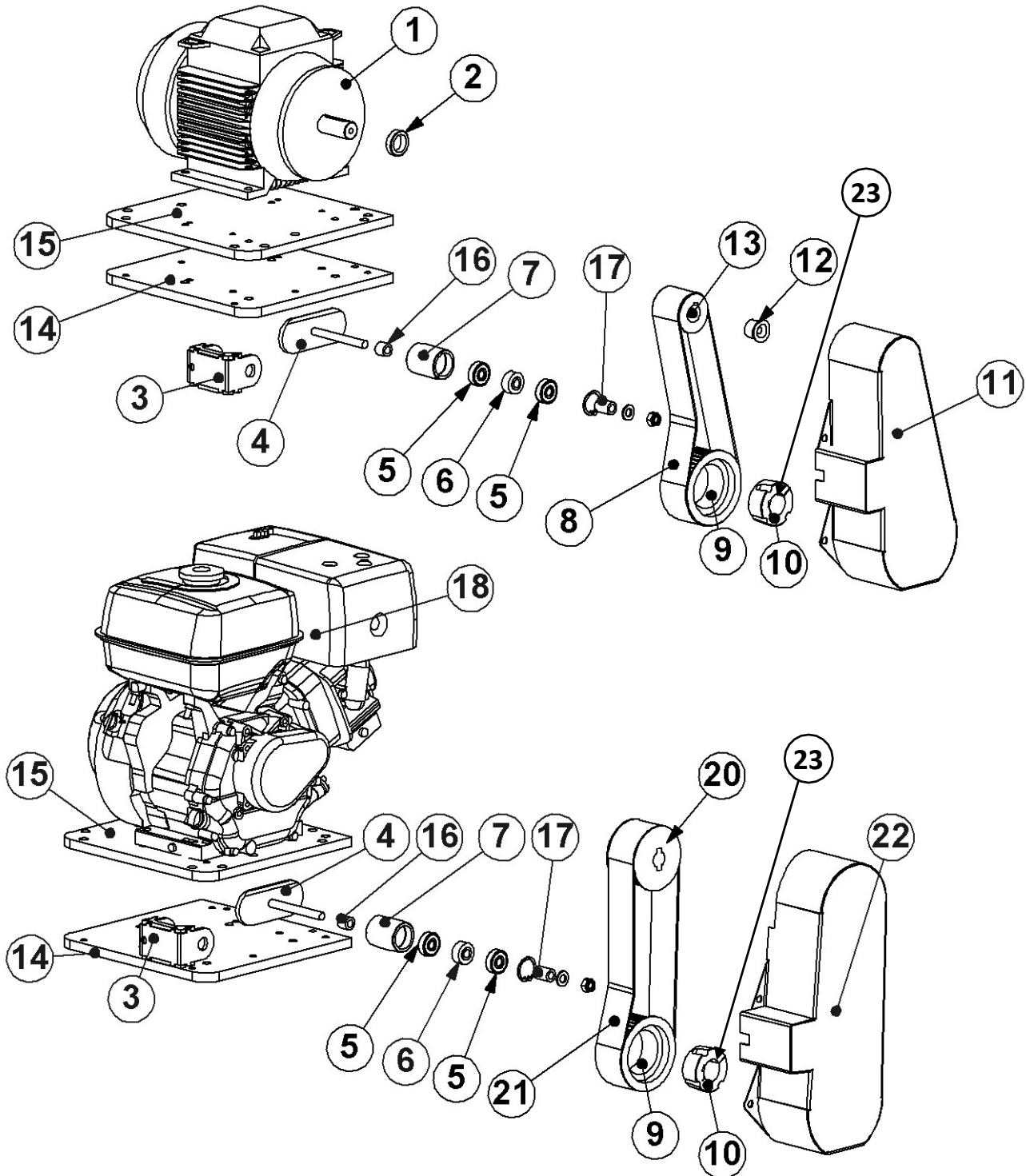
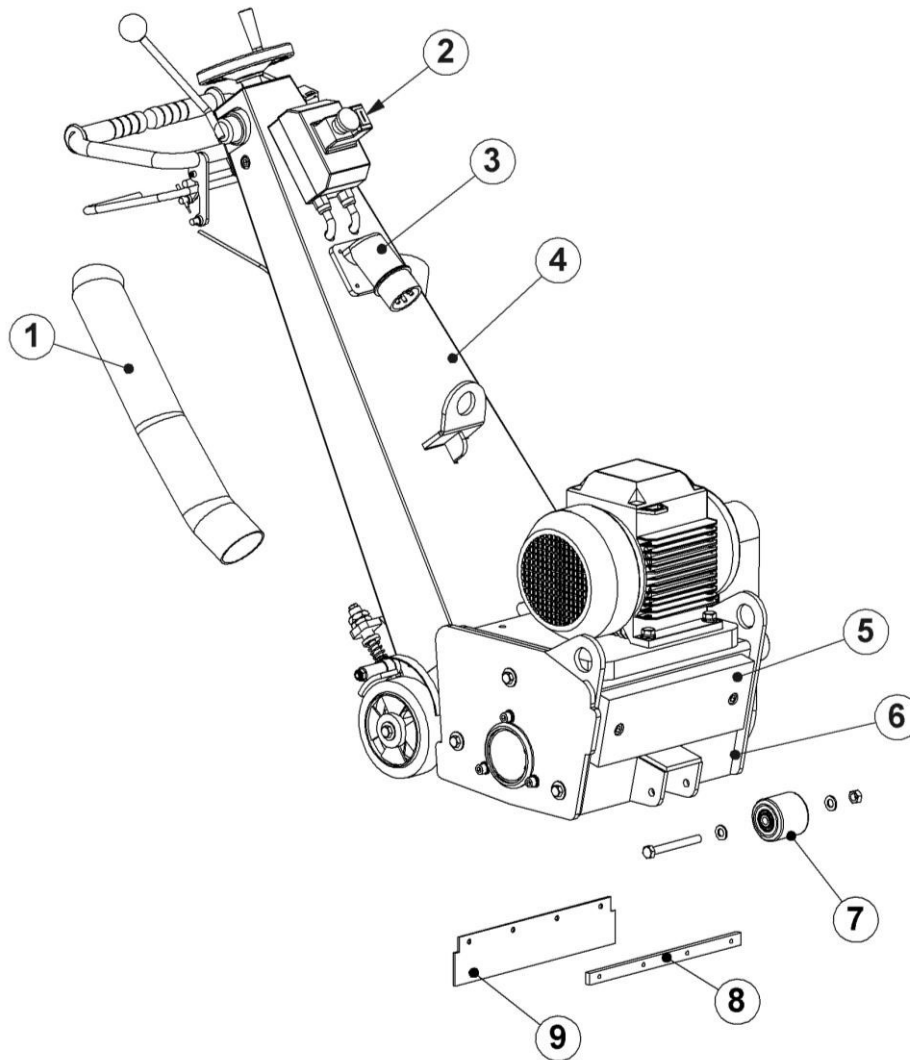


Fig. 05 Electric and petrol drive

Item	Blastrac PN	HQV PN	Description	Remarks	Qty.
1	E10213	533817201	Electro motor	IE1	1
	E08817	534714101	Electro motor	IE3	1
2	E04717	535361901	Distance ring		1
3	E08657	534785301	Pulley bracket		1
4	E08658	534893701	Tension bracket		1
5	E04639	534312101	Bearing		2
6	E04638	534515101	Distance bush tension pulley		1
7	E04637-1	534894101	Pulley round		1
8	E04738	533125401	Belt		1
9	E03636	533099201	Pulley	50Hz	1
	E08779	534791301	Pulley	60Hz	1
10	E04732	533439001	Taperlock bush		1
11	E11004	534320301	Belt guard		1
12	E04716	534580001	Fixation bush		1
13	E04558	534791001	Pulley		1
14	E08690	535226701	Bottom motor plate		1
15	E08691	535226801	Top motor plate		1
16	E08659	534514601	Distance		1
17	E08652	534514501	Distance		1
18	E06156	534626201	Petrol motor		1
19					
20	E12156	534791401	Pulley		1
21	E06085	534636401	Belt		1
22	E08689	534320201	Belt cover		1
23	BE0252	533460101	Key		1

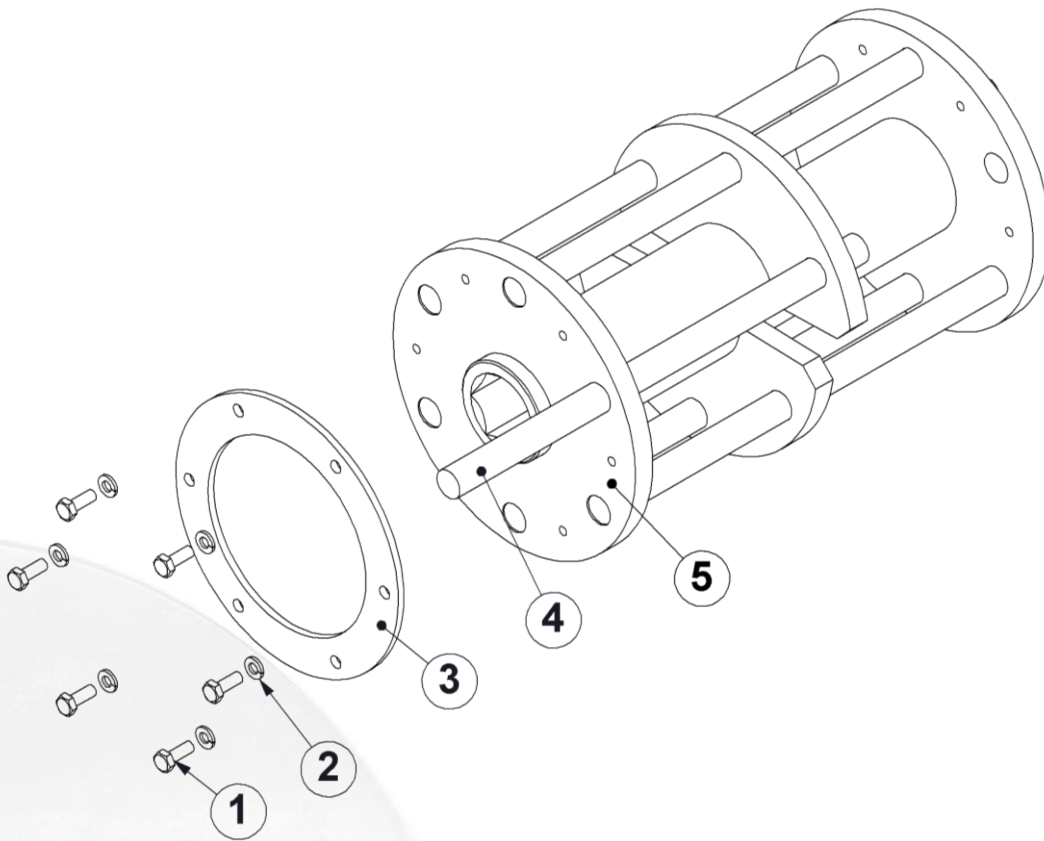
To replace the flat pulley E04637 by the round pulley E04637-1(#7), you need to order also #3, #4, #5, #6, #16, #17 & #11 for electric or #22 for petrol.

**Fig. 06      General**



Item	Blastrac PN	HQV PN	Description	Remarks	Qty.
1	005014	534066201	Hose Ø76		0.7 m
2	E04737	534549601	Electro kit	400V-50Hz	1
	E04737/60hz	534549801	Electro kit	400V-60Hz	1
	E04737/230	534549701	Electro kit	230V-60Hz	1
3	DG17	534386101	Socket box		1
4	E04074	534698501	Main frame		1
5	E06112	535218801	Front weight		1
6	E04064	535219001	Housing		1
7	E03317	533543201	Front wheel		1
8	E04714	534392801	Clamping bar		2
9	E04713	534814701	Rubber gasket		1

**Fig. 07 Drum**



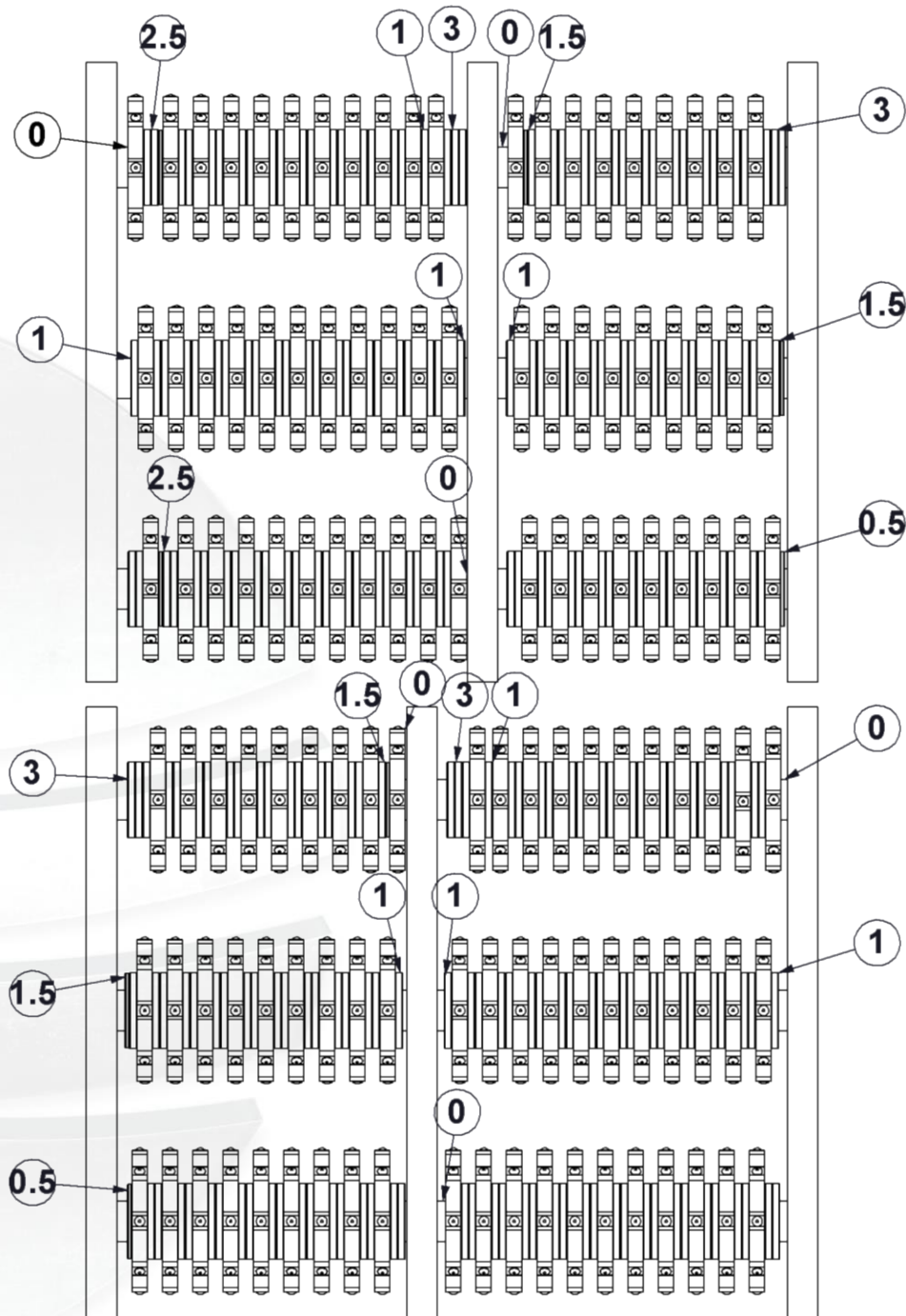
Item	Blastrac PN	HQV PN	Description	Remarks	Qty.
1	BE0045	534692301	M6x16 hexagon head screw	DIN933	12
2	BE0017	534691501	M6 spring lock washer	DIN127B	12
3	E03649	534805601	Retaining plates		2
4	MPA265-16	534537101	Axle		6
5	-	-	Drum		1
1-6	MPD265S-616	533124601	Drum with axles + ret. plates		1
	MPL272SL265	533477901	Refillset MPL272		
	MPL60SL265	-	Refillset MPL60		
	MPL75SL265	534802801	Refillset MPL75		

## 2. Assembly plans

### MPD265SL272S

MPL272      120x  
 MPL48      240x  
 MPL49      8x

if not mentioned, 2 spacers MPL48 between cutters

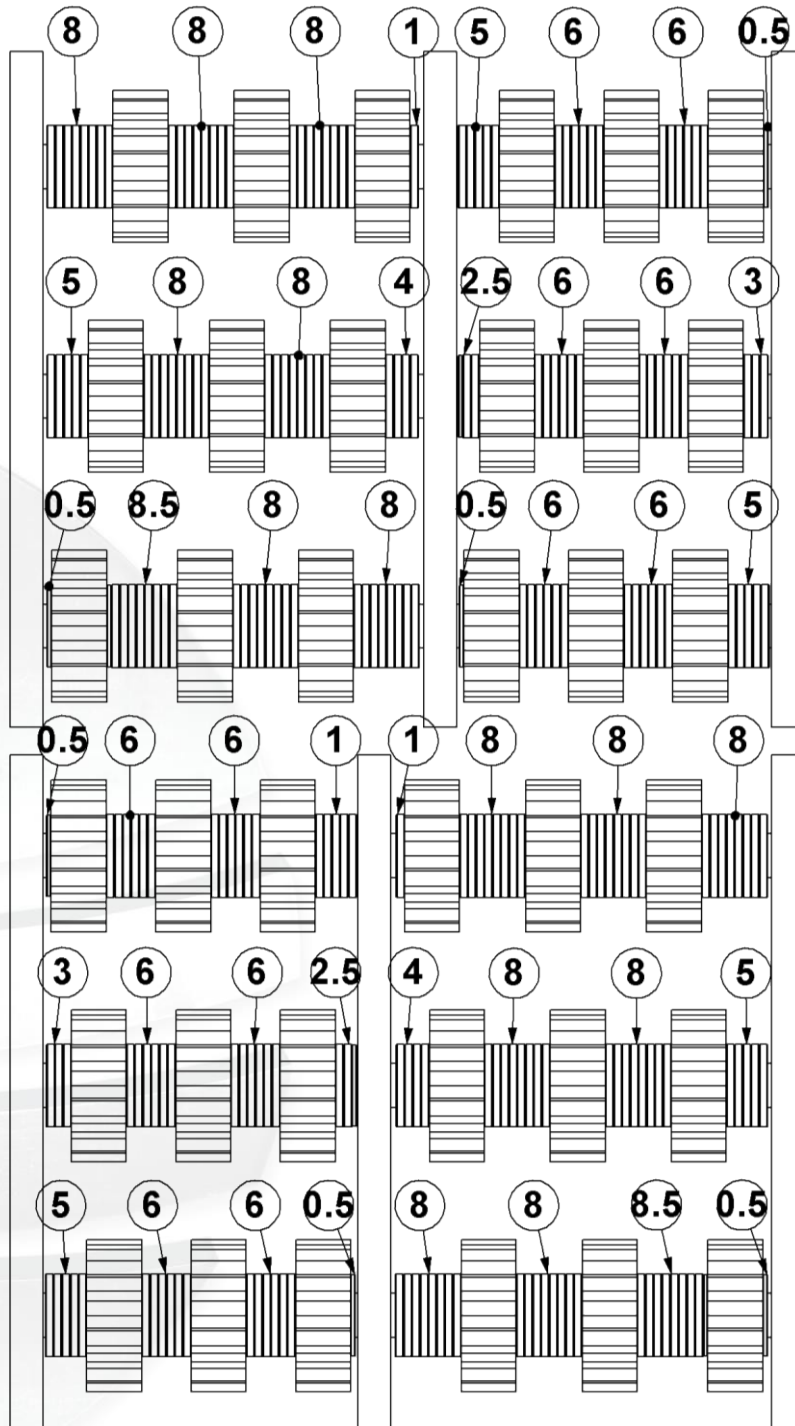




**MPD265SL60S**

**MPL60**  
**MPL48**  
**MPL49**

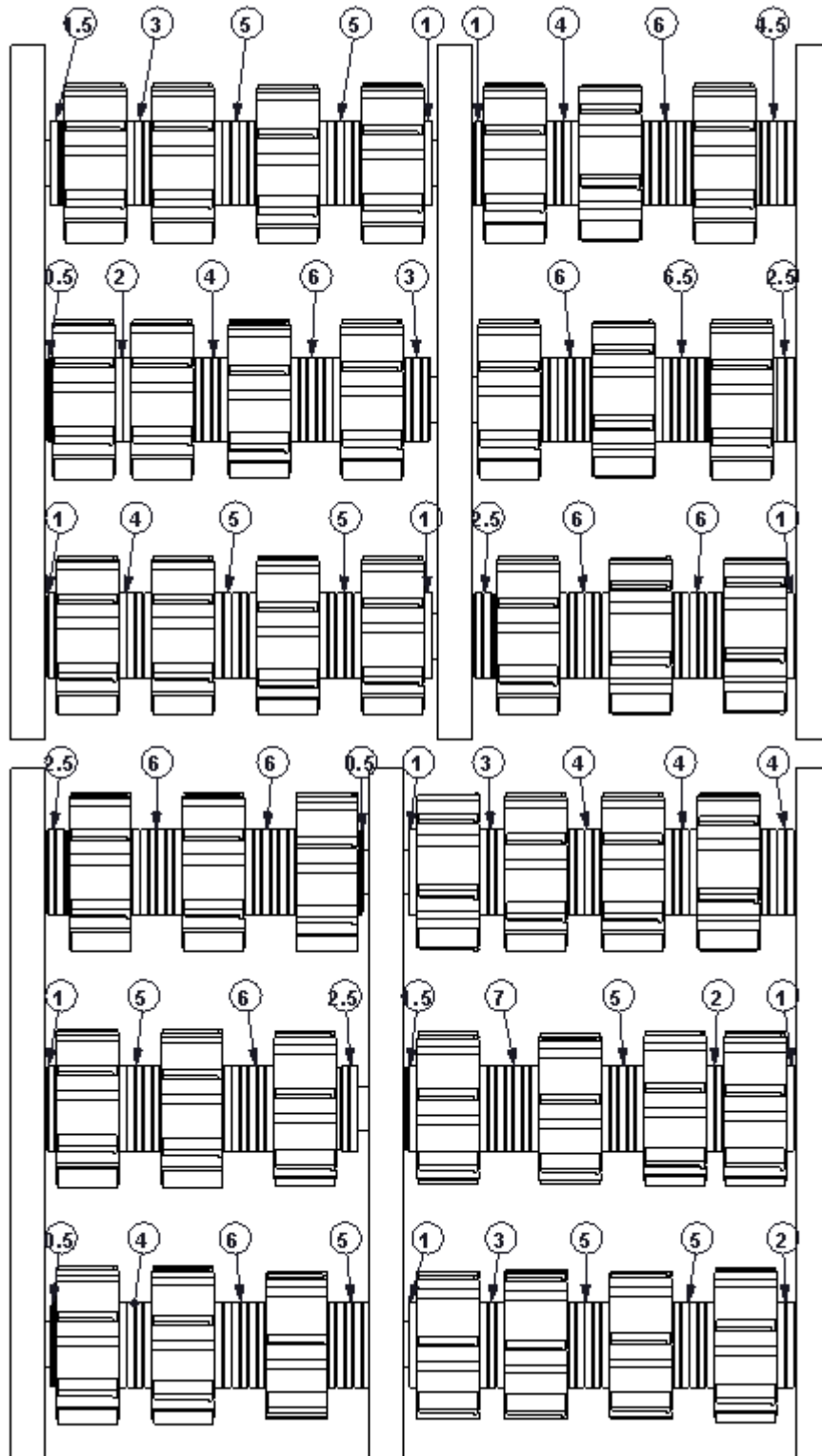
**36x**  
**250x**  
**10x**



**MPD265SL75S**

**MPL75-1**  
**MPL48**  
**MPL49**

**42x**  
**183x**  
**11x**



### 3. Electric schedule

#### WIRE COLOR

Main Voltage 400/230V

##### Phase

L1

L2

L3

##### Colors

- Brown

- Black

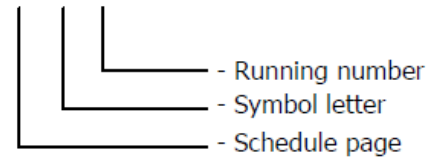
- Blue

Earth / PE

- Yellow/Green

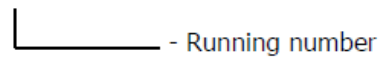
#### SYMBOL CODE

11 F 11



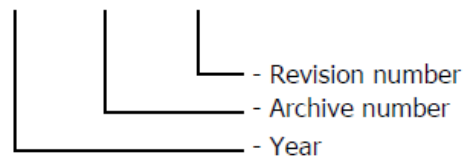
#### CORE CODE

11 11

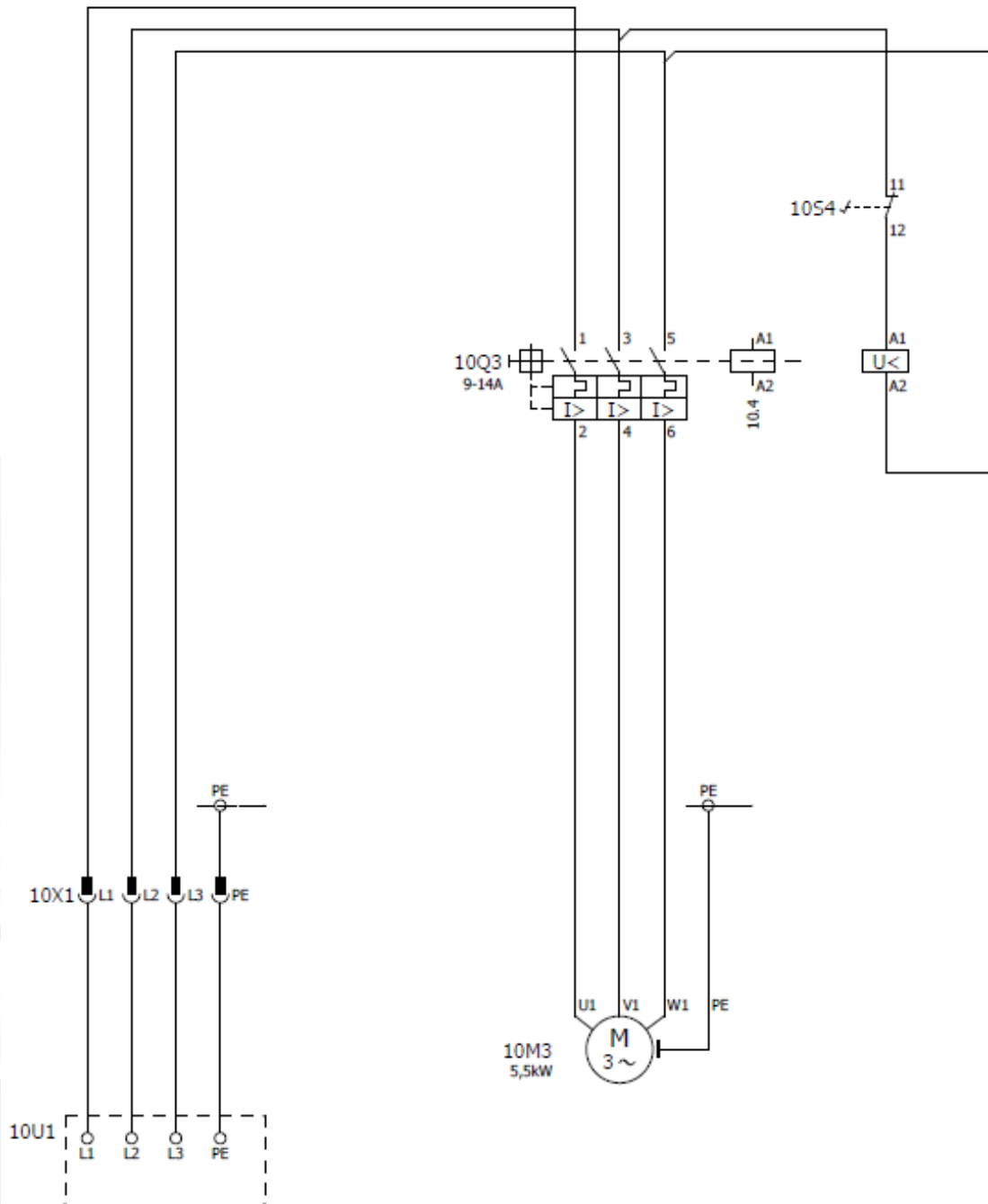


#### DRAWING NUMBER

PJ##.####.##



	auxiliary contact	hulpcontact		signal light	signallamp		Safety fuse	smetveiligheid
	Power contact	vermogenscontact		horn	hoorn		Fused switch, three-pole	schakelbare schieder
	NO contact, opens with time delay	maakcontact, vertraagd sluitend		apm. meter	ampere-meter		Fused disconnect, three-pole	schieder "klopak"
	NO contact, closes with time delay	maakcontact, vertraagd sluitend		running hour counter	urenmeter		Main switch	hoofdschakelaar
	NC contact, opens with time delay	verkeerscontact, vertraagd open		transformer	transformator		Circuit breaker, single-pole	installeerautomat 1-poolig
	NC contact, closes with time delay	verkeerscontact, vertraagd sluitend		Contactor coil relay coil	spool		Circuit breaker, two-pole	installeerautomat 2-poolig
	Pushbutton rebound	drukknop terugveerend		Contactor/relay coil with pick-up delay	Spool met opkomvertraging		Circuit breaker, three-pole	installeerautomat 3-poolig
	Pushbutton locking	drukknop blijvend		Contactor/relay coil with drop-out delay	spool met afvalvertraging		Power circuit breaker motor overload switch with switch mechanism	motorbeveiligingsschakelaar
	Rotary switch rebound	tip draaischakelaar		Contactor pulse coil relay pulse coil	spool puls		Valve	elektrisch bediende klep
	Rotary switch locking	draaischakelaar		Tube light	TL verlichting		Resistor with movable contact	regelbare weerstand
	Emergency stop rotary unlock	noodstop met draaibare vrijgave		Resistor / Heating	weerstand verwarming		Terminal	rijgklem
	Thermostatic switch	thermostaat hygrostat		Socket	wandcontactdoos		Terminal with fuse	rijgklem met zekering
	Pressure switch	drukschakelaar		Current transformer	stroomtransformatormeter		Rectifier	gelijkrichter
	Limit switch	eindschakelaar						
	Proximity switch	naderingsschakelaar						







Item	Quantity	Designation	Type number	Brand	Blastrac PN	HQV PN
10Q3	1	Motor safety switch, thermal/magnetic 9.0-14A	GV2-ME16	Schneider Electric	DG23	534720801
10Q3	1	vuistslagknop rood tbv GV2-MC02	GV2-K031	Schneider Electric	DG25	534560601
10Q3	1	Opbouwkast IP55 tbv GV2	GV2-MC02	Schneider Electric	DG22	534879201
10Q3	1	MIN.SP.SPOEL 380..400V 50H	GV-AU385	Schneider Electric	DG24	534913801
1054	1	Eindschak. veiligheid 2V	XCS-PA792	Schneider Electric	DE 591	-
1054	1	Tongsleutel voor XCS-PA591	XCS-Z11	Schneider Electric	MP07189	533806201
10X1	1	koppelk 16A 3P+N+aarde+faseomk	PV 329	ABL Sursum	DG 17	534386101



#### Headquarter

##### **Blastrac The Netherlands**

Utrechthaven 12  
 NL – 3433 PN Nieuwegein  
 Tel – 0031 30 601 88 66  
 Fax – 0031 30 601 83 33  
 Info@blastrac.nl

#### **Blastrac Poland**

Golina, Dworcowa 47a  
 PL – 63-200 Jarocin  
 Tel – 0048 627 40 41 50  
 Fax – 0048 627 40 41 51  
 Info@blastrac.pl

#### **Blastrac Italy**

S.S. 10 Padana Inferiore, 41  
 IT – 29012 Caorso (PC)  
 Tel – 0039 0523 81 42 41  
 Fax – 0039 0523 81 42 45  
 Info@blastrac.it

#### **Blastrac United Kingdom**

Unit 2, Outgang Lane, Dinnington  
 Sheffield, South Yorkshire  
 GB – S25 3QY, England  
 Tel – 0044 1909 56 91 18  
 Fax – 0044 1909 56 75 70  
 Info@blastrac.co.uk

#### **Blastrac Germany**

Richard Byrd Straße 15  
 D – 50829 Köln (Ossendorf)  
 Tel – 0049 221 70 90 32 0  
 Fax – 0049 221 70 90 32 22  
 Info@blastrac.de

#### **Blastrac Spain**

Calle Copernico, 16  
 Nave 2  
 E – 28820 Coslada  
 Tel – 0034 91 660 10 65  
 Fax – 0034 91 672 72 11  
 Info@blastrac.com.es

#### **Blastrac France (ZI)**

29, Avenue des Temps Modernes  
 F – 86360 Chasseneuil du Poitou  
 Tel – 0033 549 00 49 20  
 Fax – 0033 549 00 49 21  
 Info@blastrac.fr

#### **Blastrac Ukraine**

Nezalezhnosti 14, of. 21  
 UA – 07400 Brovary  
 Tel – 0038 44 222 51 28  
 Fax – 0038 44 277 98 29  
 Info@blastrac.com.ua