



# SERVICE MANUAL BMP-4000

VERSION 1.1



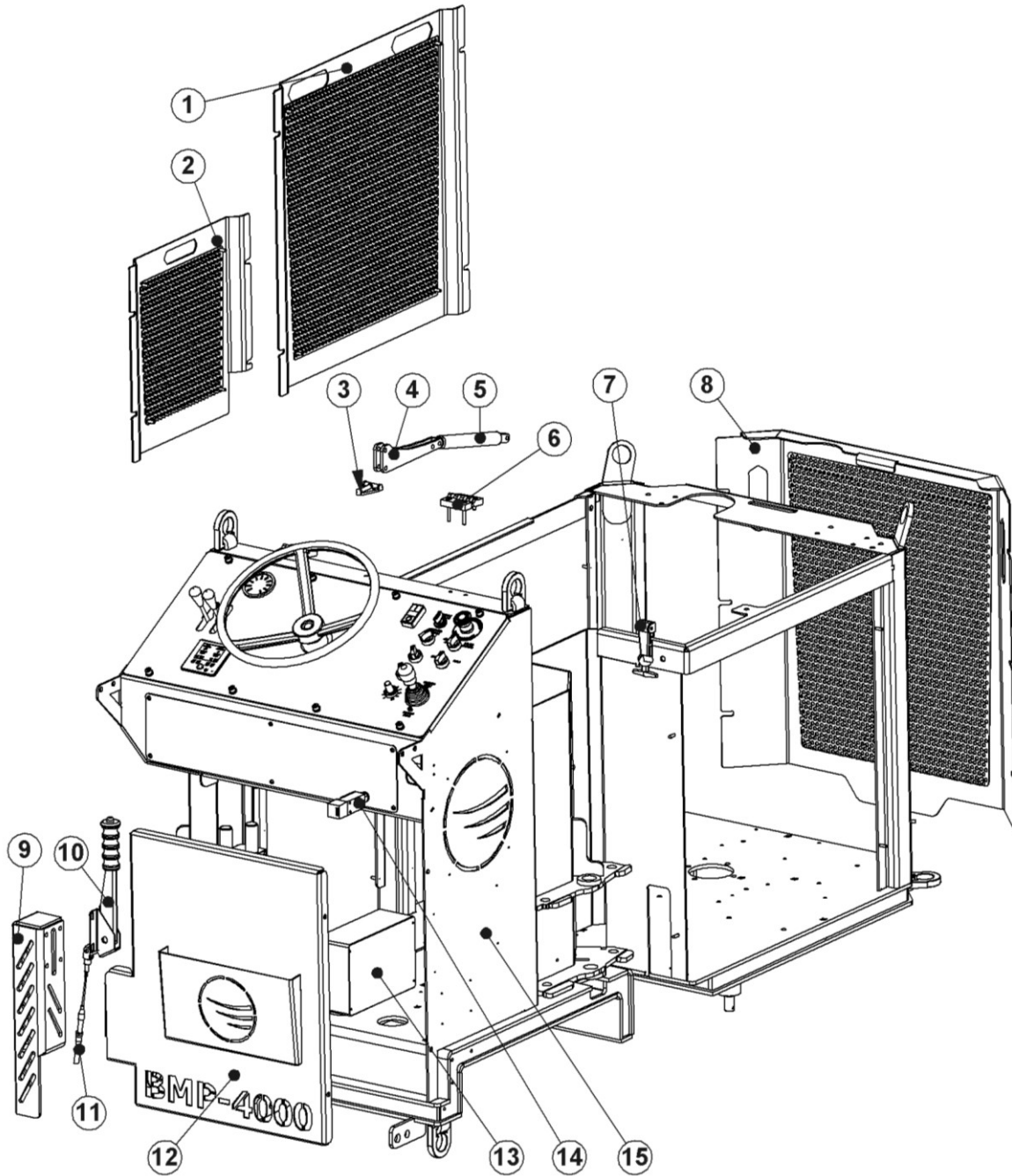
## Index

<b>1. Spare parts</b>	<b>03</b>
<b>Contact</b>	<b>19</b>



# 1. Spare Parts

Fig.01 Frame



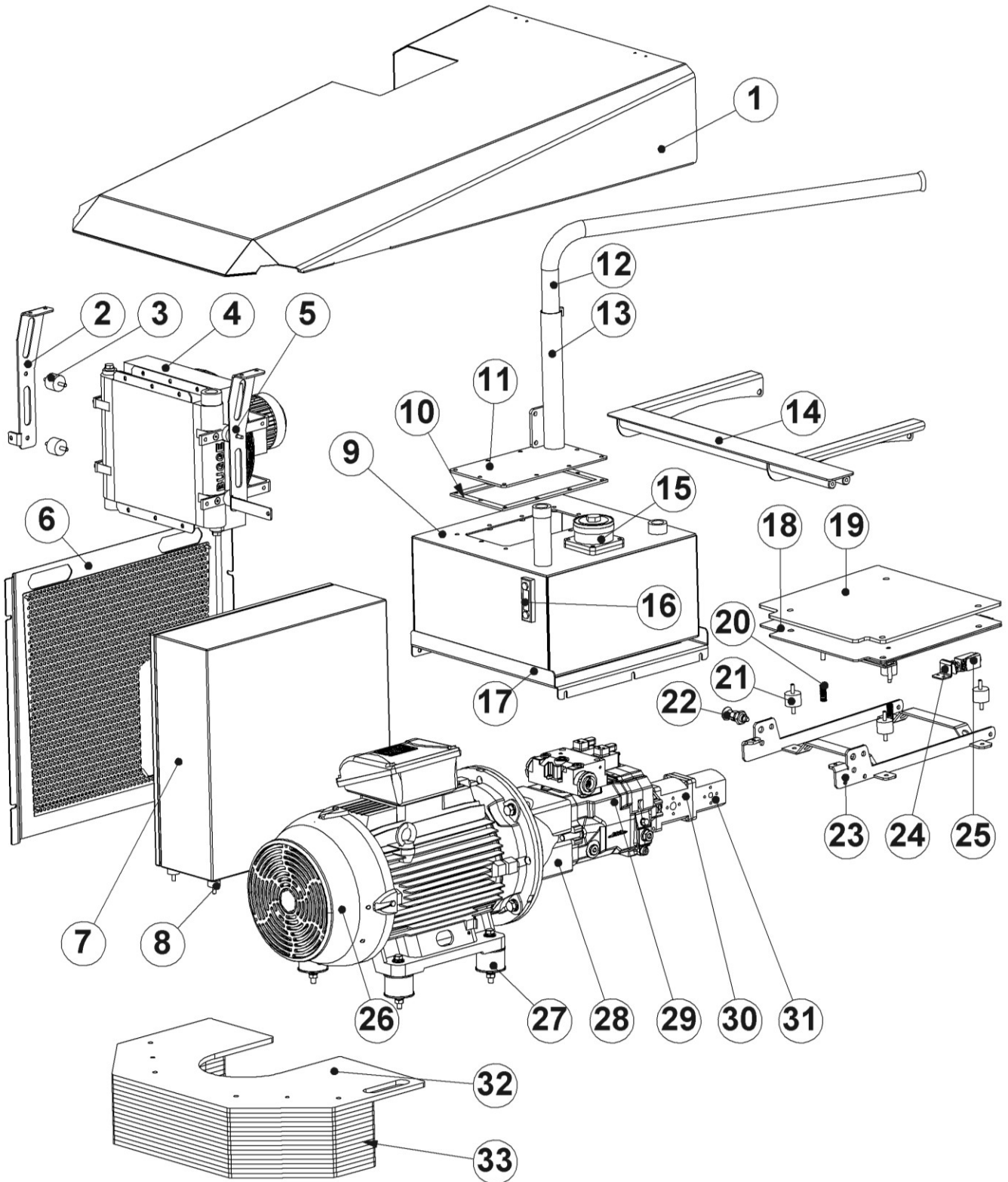


**Fig.01 Frame**

Item	Blastrac PN	HQV PN	Description	Remarks	Qty.
1	E08832	535202701	LH cover		1
2	E08895	535242101	Side cover small		1
3	E08908	534663301	Leveller small		1
4	E09220	535118801	Bracket for gas spring		2
5	E02338	533622701	Gas spring		1
6	E08837	533084501	Hinge		2
7	500-1195	531471201	Rubber latch		1
8	E08828	535184201	Front cover		1
9	E09149	535119101	Bracket for hand brake		1
10	E09161	534608101	Hand brake		1
11	E09160	534409801	Cable for hand brake		1
12	E08901	535058001	Back cover		1
13	E10232/E	-	Small electro box complete E-version	Electro	1
	E10232/D	-	Small electro box complete D-version	Diesel	1
14	BG11760	533387401	Deadman switch		1
	BG11758	533810801	Cord for deadman switch		1
	BG11759	533289101	Key for deadman switch		1
15	E07716	535210501	Frame BMP-4000		1



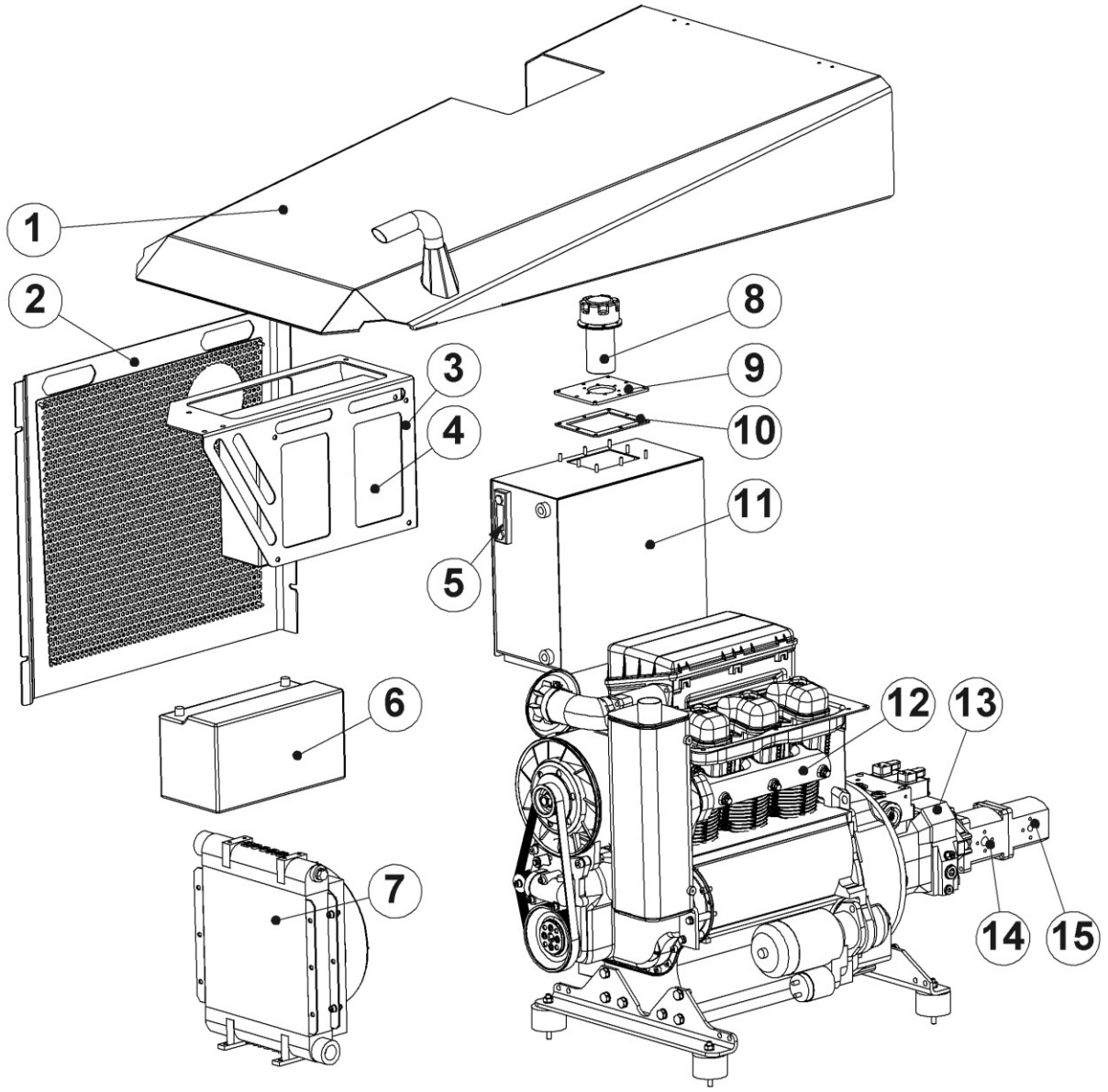
**Fig.02 General + Electric version parts**



**Fig.02 General + Electric version parts**

Item	Blastrac PN	HQV PN	Description	Remarks	Qty.
1	E08827	535116101	Bonnet for E-version		1
2	E08836	535234101	RH bracket for oil cooler electro		1
3	999-9107	533943201	Shock absorber		4
4	E07725	-	Oil cooler electro		1
5	E09043	535202601	LH bracket for oil cooler electro		1
6	E09134	535234301	RH cover electro		1
7	E10233	-	Electro box complete		1
8	999-9102	534835901	Shock absorber		4
9	E07771	534734901	Oil tank		1
10	E00384	534823601	Oil tank seal		1
11	E09247	534735001	Oil tank cover		1
12	E09261	534377801	Cable guide long		1
13	E09137	535145101	Cable guide bracket		1
14	E09138	535219601	Operator support bracket		1
15	E10234	-	Oil return filter		1
16	350-4172-S	533872801	Level gauge with thermo		1
17	E08826	535219101	Bracket for oil tank		1
18	E08906	535219701	Operator platform		1
19	E09133	534298501	Anti vibration mat		1
20	E09237	533287101	Spring		2
21	999-9107	533943201	Shock absorber		4
22	E06994-1	533595201	Fast locking pin		2
23	E08718	533675201	Operator platform support		1
24	E09254	535251801	Switch stop		1
25	333-3498	533029201	Switch		1
26	E07724	534468101	Electric motor	IE3	1
27	RB270A/9	533831601	Shock absorber		4
28	E07765	-	Pumbracket electro motor		1
29	E07719	-	Hydro pump E-version		1
30	E10235	-	Hydro pump for driving E-version		1
31	E10236	-	Hydro pump for steering E-version		1
32	E09252	535268301	Weight plate		1
33	E09253	535268401	Weight plate		14

**Fig.03 Diesel version parts**



**Fig.03 Diesel version parts**

Item	Blastrac PN	HQV PN	Description	Remarks	Qty.
1	E09256	-	Bonnet for D-version		1
2	E08898	535234201	RH cover diesel		1
3	E08899	535118401	Bracket electro box diesel		1
4	E10237	-	Electro box complete D-version		1
5	350-4172-S	533872801	Level gauge with thermo		2
6	E07791	-	Accu		1
7	E08703	-	Oil cooler Diesel version		1
8	500-3085-S	531476301	Diesel fuel cap with filter		1
9	E08897_4	-	Diesel tank cover		1
10	E10186	-	Diesel tank seal		1
11	E08897	535162101	Diesel tank		1
12	E07723	-	Hatz diesel engine		1
13	E07718	-	Hydro pump D-version		1
14	E10238	-	Hydro pump for driving D-version		1
15	E10241	-	Hydro pump for steering D-version		1



**Fig.04 E10221 - Front wheel assembly**

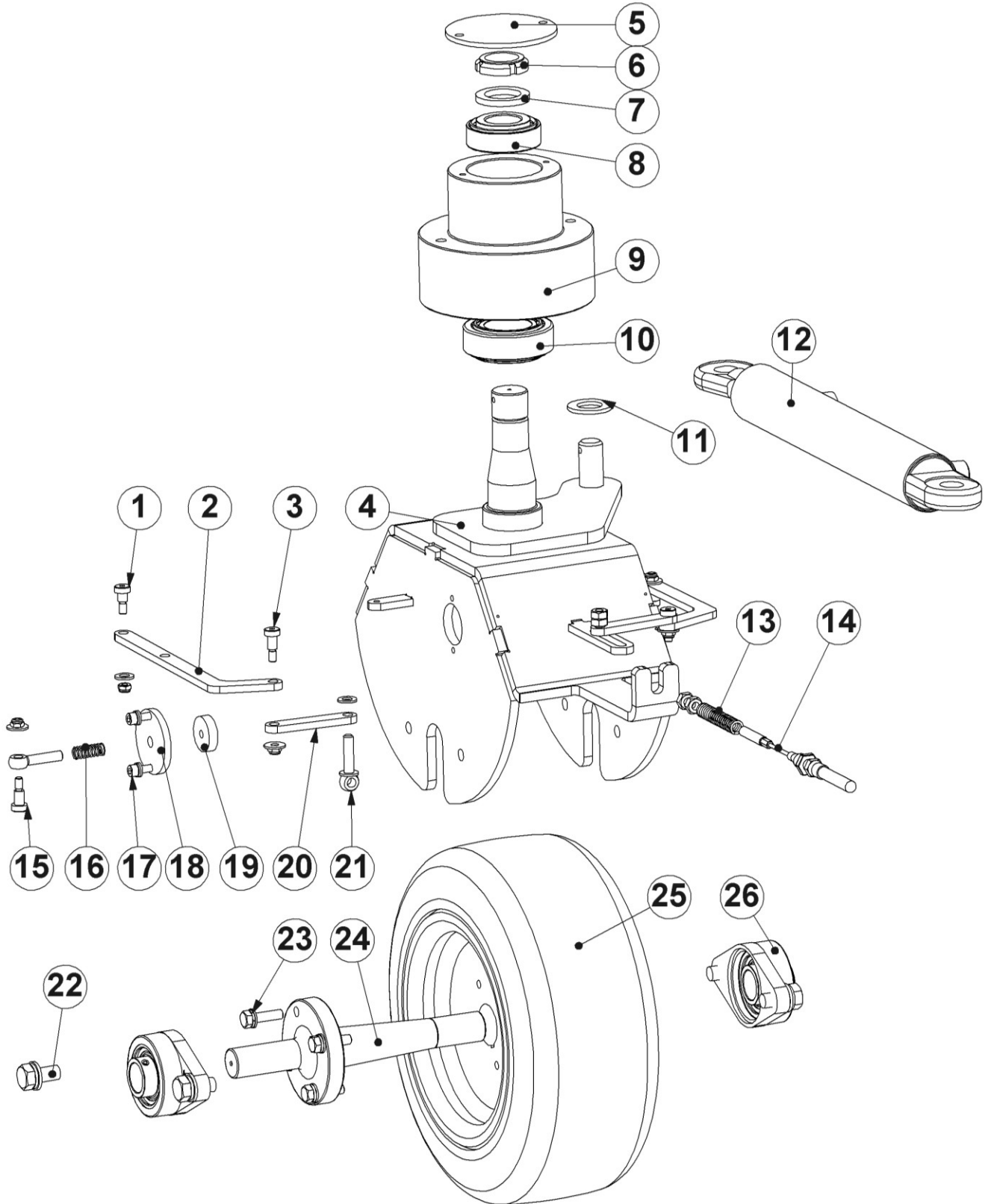
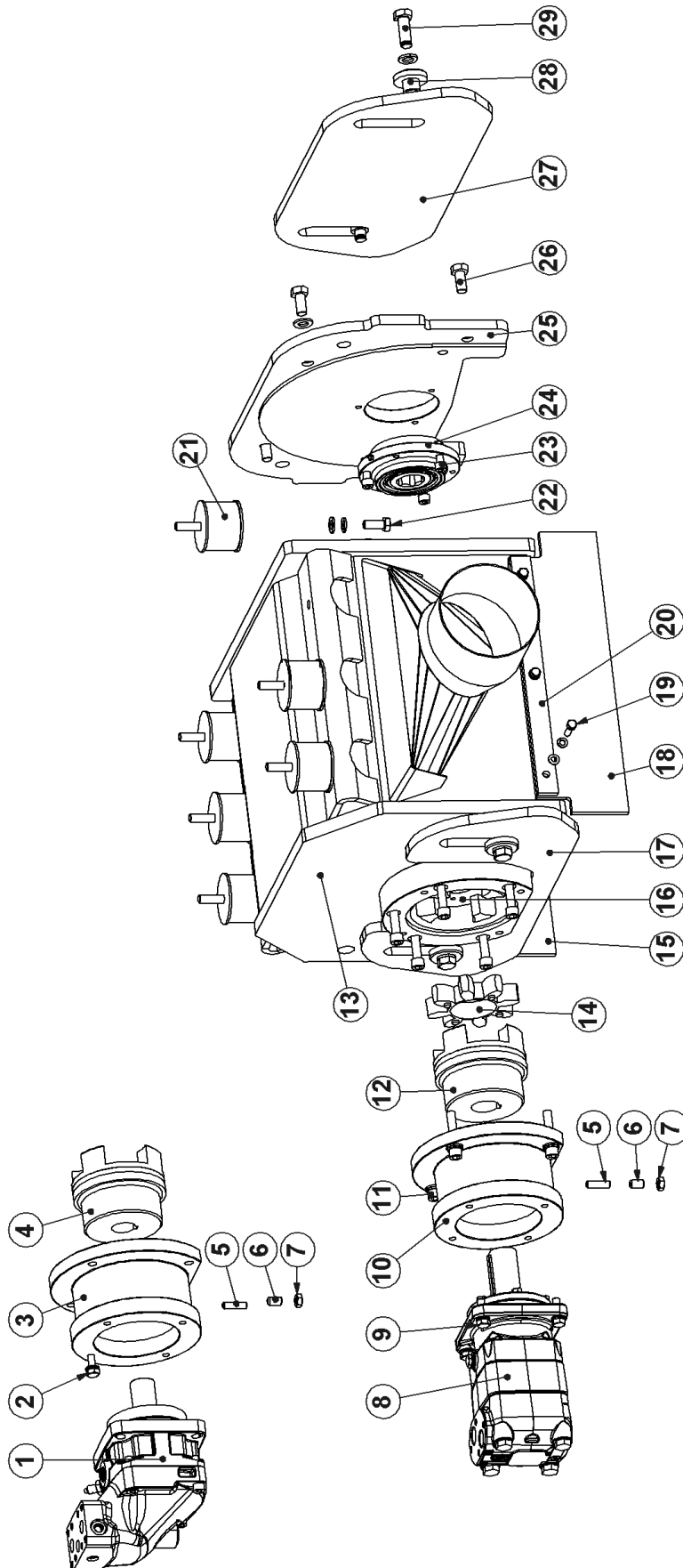




Fig.04 E10221 - Front wheel assembly

Item	Blastrac PN	HQV PN	Description	Remarks	Qty.
1	BE0642	533911701	M6 8x8 hexagon socket bolt		2
2	E09143	535144301	Brake strip		2
3	BE0655	533402401	M6 8x12 hexagon socket bolt		2
4	E07736	535186801	Front wheel bracket		1
5	E07785	533132501	Cover bearing house		1
6	BE0677	533475001	M30x1,5 nut		1
7	E07787	533345701	Spacer ring		1
8	E07788	534312201	Bearing		1
9	E07784	533616901	Bearing house		1
10	E07789	534312301	Bearing		1
11	BE0096	534687301	M20 washer		4
12	E07769	533736401	Steering cylinder		1
13	E09200	534860701	Spring		1
14	E09160	534409801	Cable for hand brake		1
15	BE0655	533402401	M6 8x12 hexagon socket bolt		2
16	E03705	534868801	Spring		2
17	BE0020	534692701	M6x20 hexagon socket head cap screw		4
18	E09145	535216401	Mounting plate		2
19	E09144	535144401	Brake plate		2
20	E09146	535249201	Strip		2
21	BE0702	533239501	M8x40 eye bolt		3
22	BE0372	534683601	M12x25 hexagon bolt		4
23	BE0056	-	M8x30 hexagon bolt		4
24	E07794	533442001	Front wheel axle		1
25	E07734	533236601	Wheel complete		1
26	E07058	533246101	Bearing		2

Fig.05 E09199 – Drum housing complete



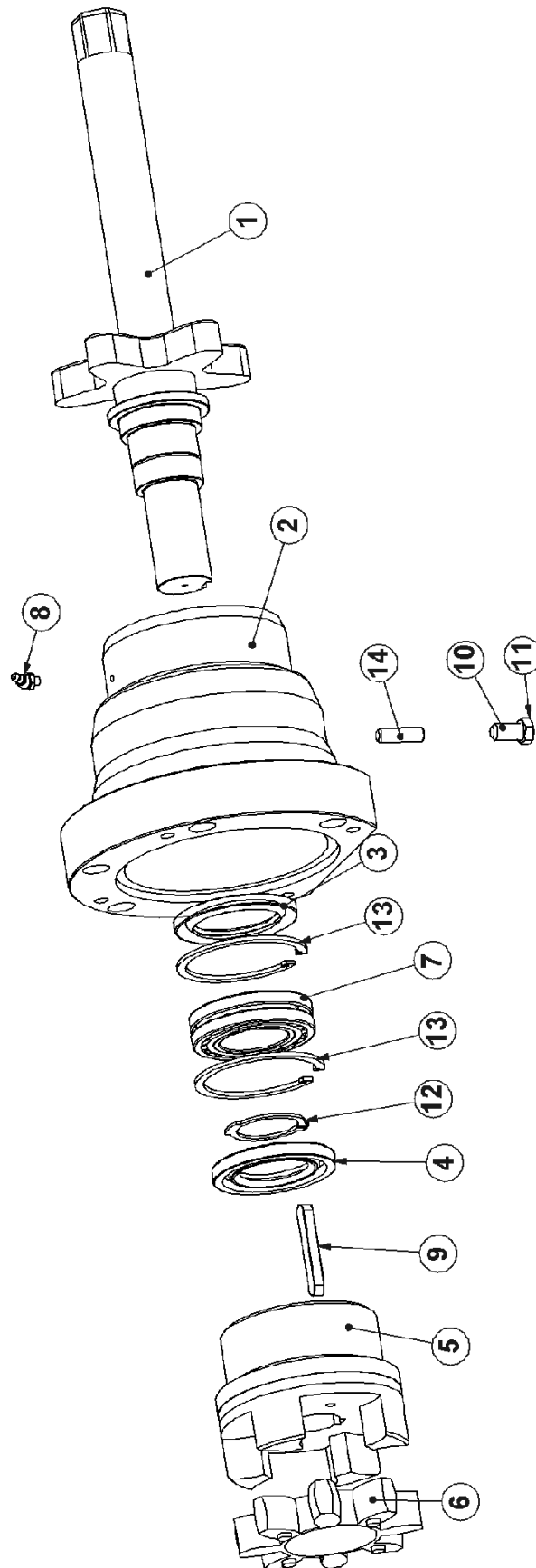


**Fig.05 E09199 – Drum housing complete**

Item	Blastrac PN	HQV PN	Description	Remarks	Qty.
1	E09449	534819701	Sawing motor with hydro couplings		2
2	BE0088	533851101	M10x35 hexagon bolt		4
3	E07764	534639801	Hydro motor mounting flange		1
4	E07783	-	Coupling sawing motor		1
5	BE0703	534265801	M10x35 set screw		1
6	BE0704	-	M12x20 set screw		1
7	BE0028	533288801	M12 nut		1
1-7	E09163	533739001	Sawing motor complete		1
8	E07721	-	Hydro motor milling		1
9	BE0088	533851101	M10x35 hexagon bolt		4
10	E07764	534639801	Hydro motor mounting flange		1
11	BE0052	-	M12x60 hexagon socket head cap screw		4
12	E07781	534413801	Coupling milling motor		1
13	E07710	535168101	Drum housing		1
14	E07782	533246301	Coupling spider		1
15	E08919	533477001	Rubber gasket front		1
16	E09198	-	LH bearing unit complete		1
17	E07714	535244401	Slide plate LH		1
18	E08918	533442901	Rubber gasket back		1
19	BE0056	-	M8x30 hexagon bolt		6
20	E08917	535150101	Clamping bar		2
21	RB270A/9	533831601	Shock absorber		6
22	BE0037	533073501	M12x30 hexagon bolt		4
23	BE0195	-	M10x35 hexagon socket head cap screw		3
24	E08931	-	RH bearing unit complete		1
25	E07711	534841401	Side plate drum		1
26	BE0705	-	M14x30 hexagon bolt		4
27	E07713	535244601	Slide plate RH		1
28	E07137	534844201	Skid bush		4
29	BE0382	534686901	M16x45 hexagon bolt		4



**Fig.06 E09198 – LH bearing house complete**

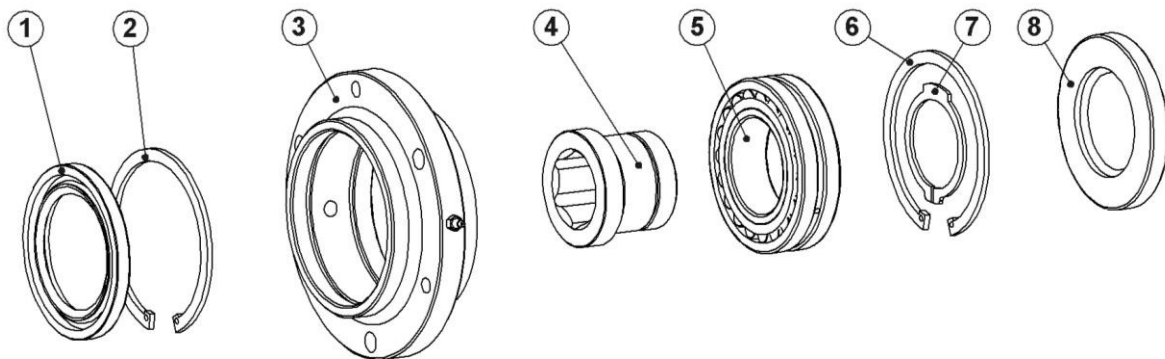




**Fig.06 E09198 – LH bearing house complete**

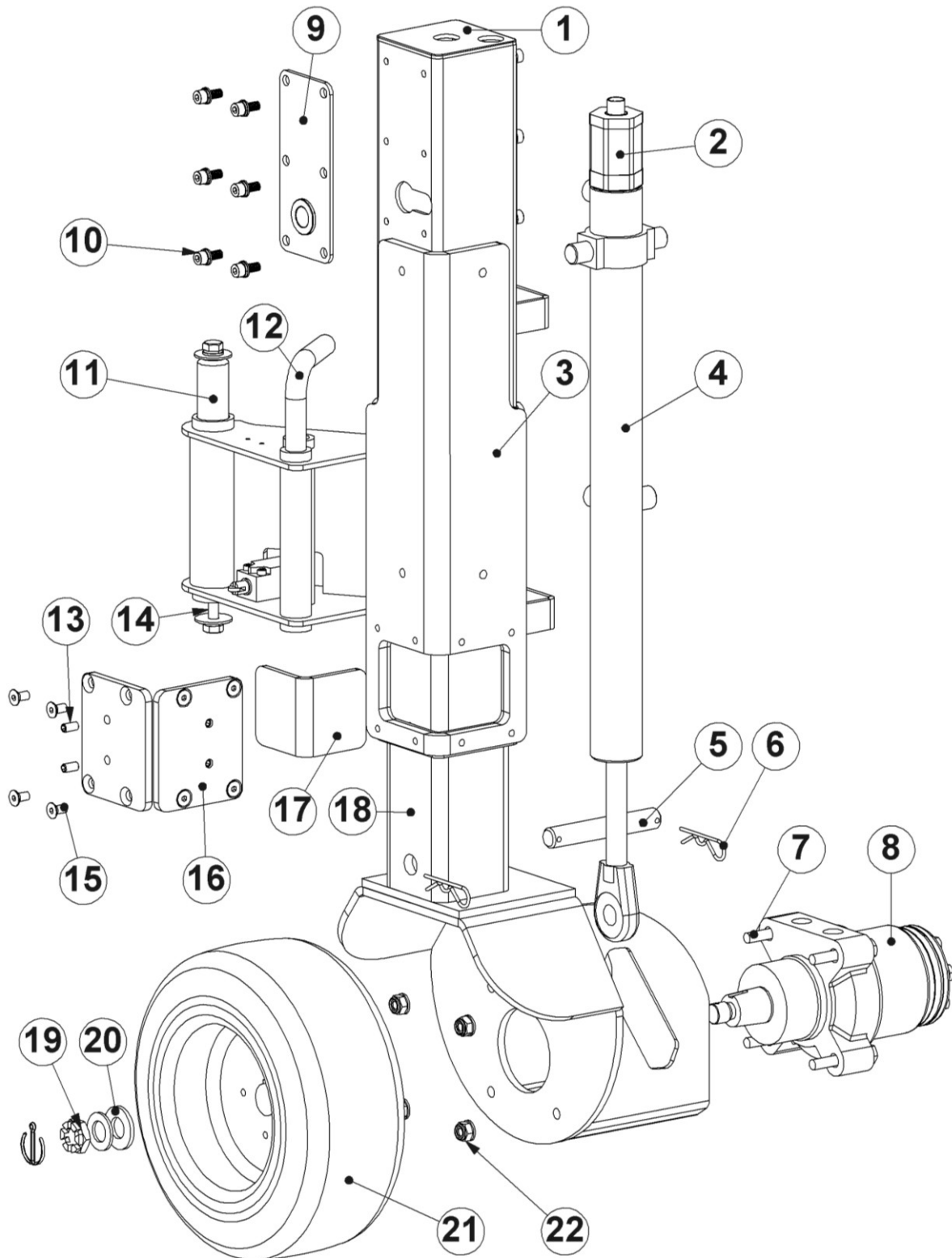
Item	Blastrac PN	HQV PN	Description	Remarks	Qty.
1	E07712	534528901	Drive shaft		1
2	E07717	534315401	LH bearing house		1
3	E07779	533740901	Radial shaft seal 60x90		1
4	E07780	533255801	Radial shaft seal 50x90		1
5	E07781	534413801	Coupling axle		1
6	E07782	533246301	Coupling spider		1
7	E07776	533218401	Bearing		1
8	BE0709	-	M6 grease nipple		1
9	RB333A/42	534649501	Key 12x8x70		1
10	BE0704	-	M12x20 set screw		1
11	BE0028	533288801	M12 nut		1
12	BE0126	533220501	Retaining ring 50		1
13	E03993	533371101	Retaining ring 90		2
14			M10x35 set screw		1

**Fig.07 E08931 – RH bearing house complete**



Item	Blastrac PN	HQV PN	Description	Remarks	Qty.
1	E07779	533740901	Radial shaft seal 60x90		1
2	E03993	533371101	Retaining ring 90		1
3	E07768	533248001	RH bearing house		1
4	E07778	533485001	Hexagon driving support long		1
5	E07776	533218401	Bearing		
6	E03993	533371101	Retaining ring 90		1
7	BE0126	533220501	Retaining ring 50		1
8	E07780	533255801	Radial shaft seal 50x90		1

**Fig.08 E09225 – Drive wheel complete (2x)**







**Fig.09 Drums**

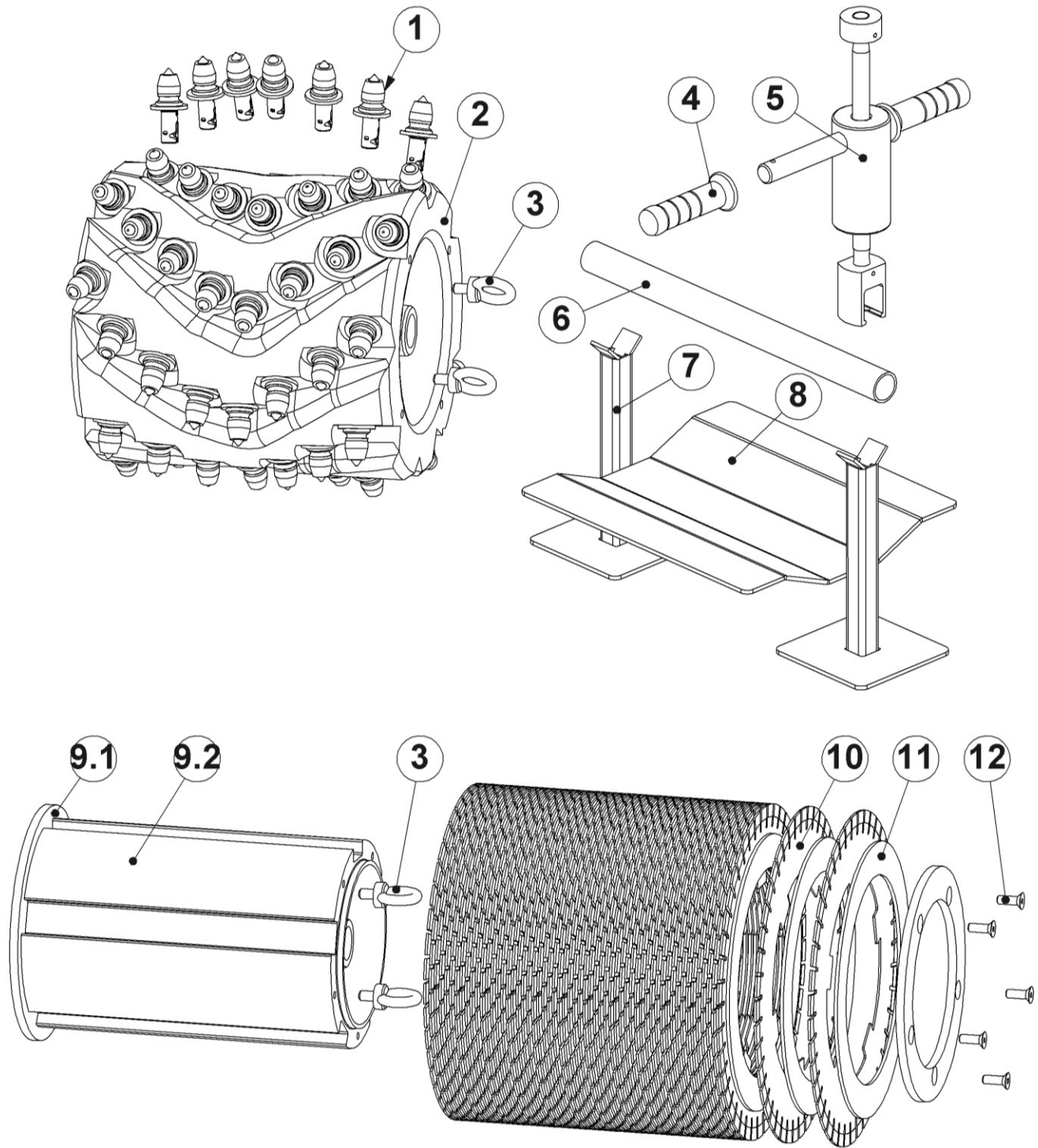


Fig.09 Drums

Item	Blastrac PN	HQV PN	Description	Remarks	Qty.
1	E07777	533127701	Blastrac pick for concrete		60
	E07766	533334701	Blastrac pick for asphalt		60
2	E07774	533507501	Milling drum		1
3	BE0708	534682301	M12 lifting eye		2
4	453290	534612901	Handle grip		2
5	E08780	534755601	Pick tool		1
6	E08963	535167801	Drum changing axle		1
7	E08962	535168001	Drum changing support		2
8	E08961	535167901	Drum plate		1
6-8	E08964	533660801	Drum changing kit		1
4-8	E08965	533867601	Drum changing kit compl		1
9	E08712	533196601	Sawing drum		1
9.1	E08712_2	-	Side plate		2
9.2	E08712_1	-	Drum		1
10	E08714	533716301	Diamond blade	max	60
11	E08928	534856801	Spacer ring	2.5mm	
	E09042	534856701	Spacer ring	3.0mm	
	E09450	533867201	Spacer ring	4.0mm	
12	BE0464	533591601	M10x30 hexagon socket countersunk screw		10

Qty. blades	E08928	E09042	E09450
60	99	83	62
55	104	86	65
50	108	90	68
45	112	94	70
40	117	97	73
35	121	101	76
30	126	105	79



#### Headquarter

##### **Blastrac The Netherlands**

Utrechthaven 12  
 NL – 3433 PN Nieuwegein  
 Tel – 0031 30 601 88 66  
 Fax – 0031 30 601 83 33  
 Info@blastrac.nl

##### **Blastrac Poland**

Golina, Dworcowa 47a  
 PL – 63-200 Jarocin  
 Tel – 0048 627 40 41 50  
 Fax – 0048 627 40 41 51  
 Info@blastrac.pl

##### **Blastrac Italy**

S.S. 10 Padana Inferiore, 41  
 IT – 29012 Caorso (PC)  
 Tel – 0039 0523 81 42 41  
 Fax – 0039 0523 81 42 45  
 Info@blastrac.it

##### **Blastrac United Kingdom**

Unit 2, Outgang Lane, Dinnington  
 Sheffield, South Yorkshire  
 GB – S25 3QY, England  
 Tel – 0044 1909 56 91 18  
 Fax – 0044 1909 56 75 70  
 Info@blastrac.co.uk

##### **Blastrac Germany**

Richard Byrd Straße 15  
 D – 50829 Köln (Ossendorf)  
 Tel – 0049 221 70 90 32 0  
 Fax – 0049 221 70 90 32 22  
 Info@blastrac.de

##### **Blastrac Spain**

Calle Copernico, 16  
 Nave 2  
 E – 28820 Coslada  
 Tel – 0034 91 660 10 65  
 Fax – 0034 91 672 72 11  
 Info@blastrac.com.es

##### **Blastrac France (ZI)**

29, Avenue des Temps Modernes  
 F – 86360 Chasseneuil du Poitou  
 Tel – 0033 549 00 49 20  
 Fax – 0033 549 00 49 21  
 Info@blastrac.fr

##### **Blastrac Ukraine**

Nezalezhnosti 14, of. 21  
 UA – 07400 Brovary  
 Tel – 0038 44 222 51 28  
 Fax – 0038 44 277 98 29  
 Info@blastrac.com.ua