



# SERVICE MANUAL BS-110

VERSION 2.0

Fig. 01

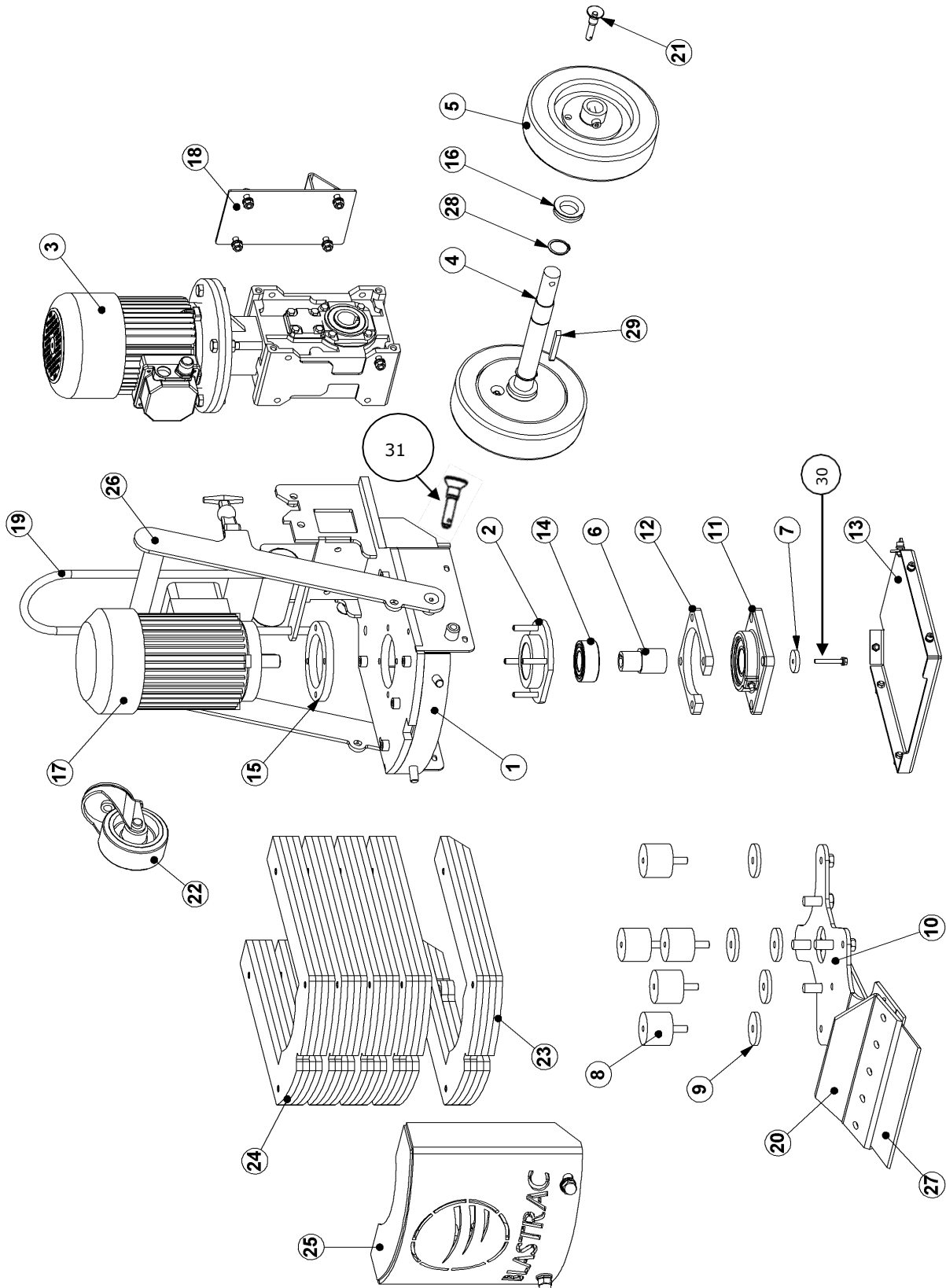


Fig. 01

Item	Blastrac PN	HQV PN	Description	Qty.
1	E09307	533069001	Frame BS-110	1
2	E09308	533671001	Support bearing house	1
3	E09311	533568901	Drive motor	1
	E09311/1	533208401	Fan cover	1
	E09311/2	533241301	Cooling fan	1
	E09311/5	-	Oil drain plug	1
4	E09313	533425101	Drive shaft	1
5	E09315-2	533529201	Wheel with hub	2
	E09407	534940202	Wheel hub only	2
6	E09319	533269801	Eccentric bush	1
7	E09235	533511001	Motor washer	1
8	E09208	533851901	Shock absorber	5
9	E09320	534574701	Fill up washer	5
10	E09738	533596901	Cutting head	1
11	E09215	533430601	Cutting head bearing	1
12	E09321	533496101	Bearing plate	1
13	E09328	534361301	Bottom plate	1
14	BG11817	533794401	Bearing	1
15	E09359	533238701	Fill up plate	1
16	E09386	533218801	V-ring seal	2
17	E09355	535913002	Motor 0,75kW (230V)	1
	E09356	533614301	Motor 0,75kW (110V)	1
	E09355/1	534567101	Fan cover	1
	E09355/2	534412701	Cooling fan	1
	E09355/3	534853201	Small capacitor 230V	1
	E09355/4	534327601	Big capacitor 230V	1
	E09356/3	533210601	Small capacitor 110V	1
	E09356/4	533210701	Big capacitor 110V	1
18	E09381	534872101	Step on bracket	1
19	E09384	533203301	Lifting eye	1
20	E09739	533070701	Blade cover	1
21	E10334	533653701	Quick release pin	2
22	E10682	533815501	Swivel castor	1
23	E09378	533244601	Bottom weight	1
24	E09379	533278001	Add on weight	4
25	E09380	534935001	Weight cover	1
26	E09382	533438201	Transport handle	1
27	E09502	534618501	Heavy Duty blade 254x76x2,5 (10")	1
28	BE0711	533869001	Circlip Ø28 for shaft	2
29	BE0261	533514101	Key 8x7x60	1
30	BE0191	533397801	M6x50 hexagon socket head cap screw	1
31	478198	533256401	Quick release pin	2

Fig. 02

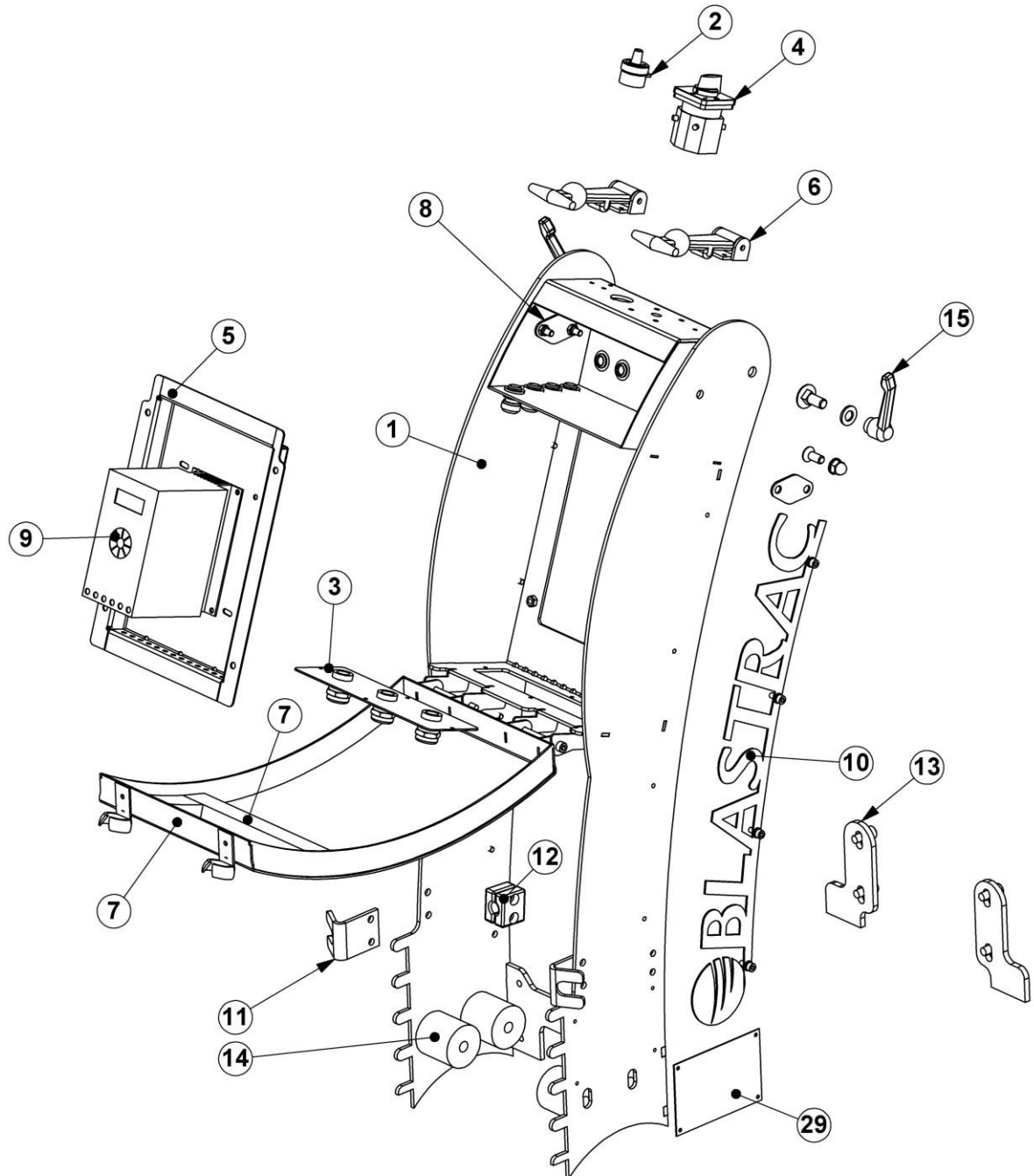




Fig. 02

Item	Blastrac PN	HQV PN	Description	Qty.
1	E09322	533283601	Steering handle	1
2	E08433	533386101	Potentiometer complete	1
3	E09354	534377601	Cable gland plate	1
4	E09360	531474801	Switch	1
5	E12823	533536701	Mount plate frequency inverter UNI for frequency inverter 230V IP20 & 110V IP20 (Replaces E09352 & E09365)	1
6	500-1195	531471201	Rubber latch assy	4
7	E09406	535184801	Front cover	1
8	E09943	534417201	Cover plate	2
9	E09349-1*	534591701	Frequency inverter 230V IP20 3x230 out* From serial number 26145B & up.	1
	E09351-1	533765701	Frequency inverter 110V IP20 3x230 out	1
10	E07380	533834101	Blastrac logo radius	2
11	E09383	534667201	Latch plate	2
12	999-9159	534044401	Pipeclamp 12mm set	1
13	E09332	533349801	Scraper plate	2
14	E09324	534514801	Distance bush	4
15	BE0641	533512101	Clamp lever	2
29	-	-	Type plate	1
-	999-3340/10	534731901	Powercable Neopreen	10m
-	E08473	534767501	Plug 230V 2p+E	1

534767501

\*If customers order the freq.inv. (E09349-1) to replace an old TECO freq.inv. (E09349), then they also need to order the: "Mount plate UNI - E12823".

For customers working in asbestos / nuclear , we have an optional frequency inverter which is dust-tight and water-tight (IP65):

E09350	534803001	Frequency inverter 230V IP65 3x230 out	
E09353	-	Mounting plate for frequency inverter 230V IP65	



Fig. 03

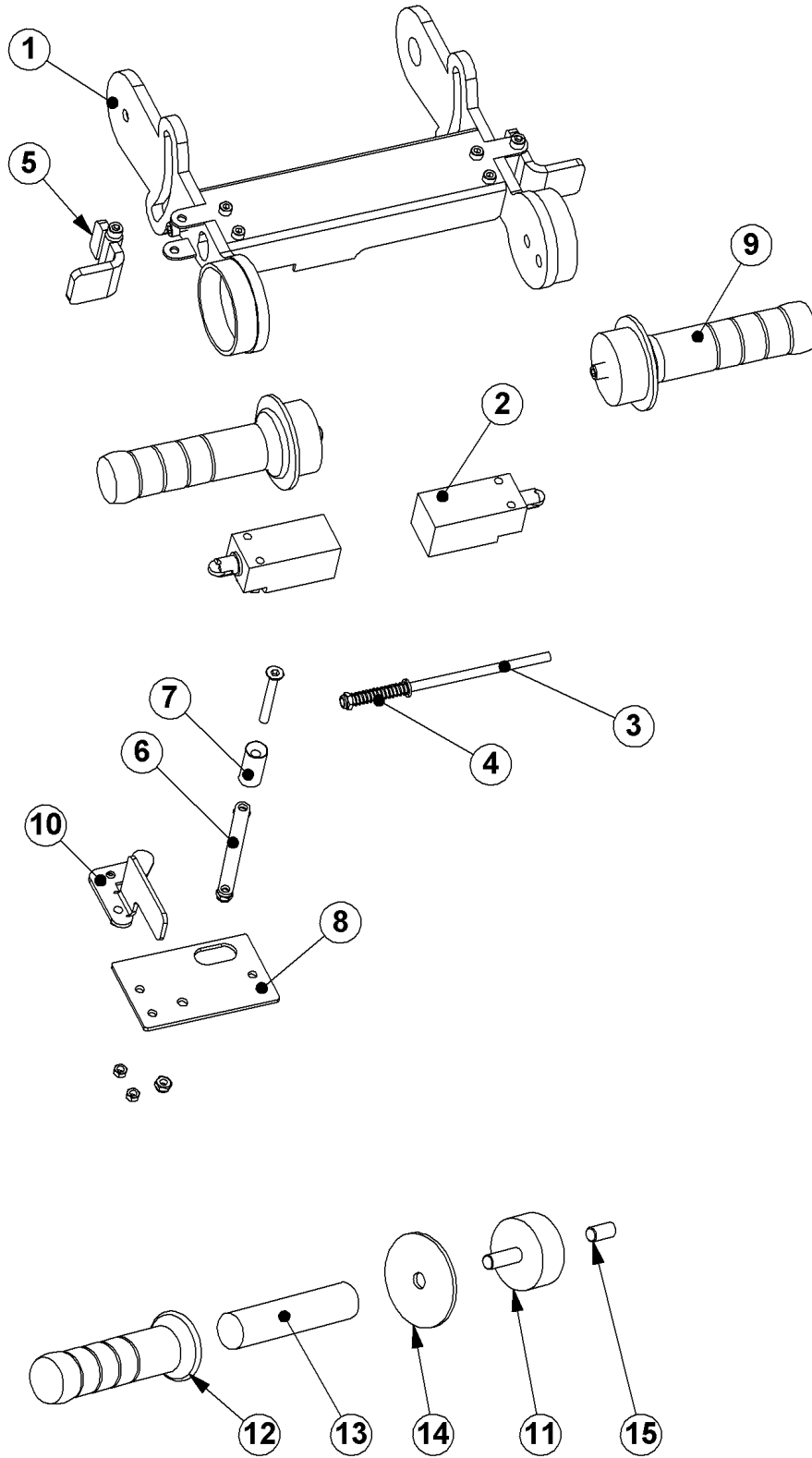
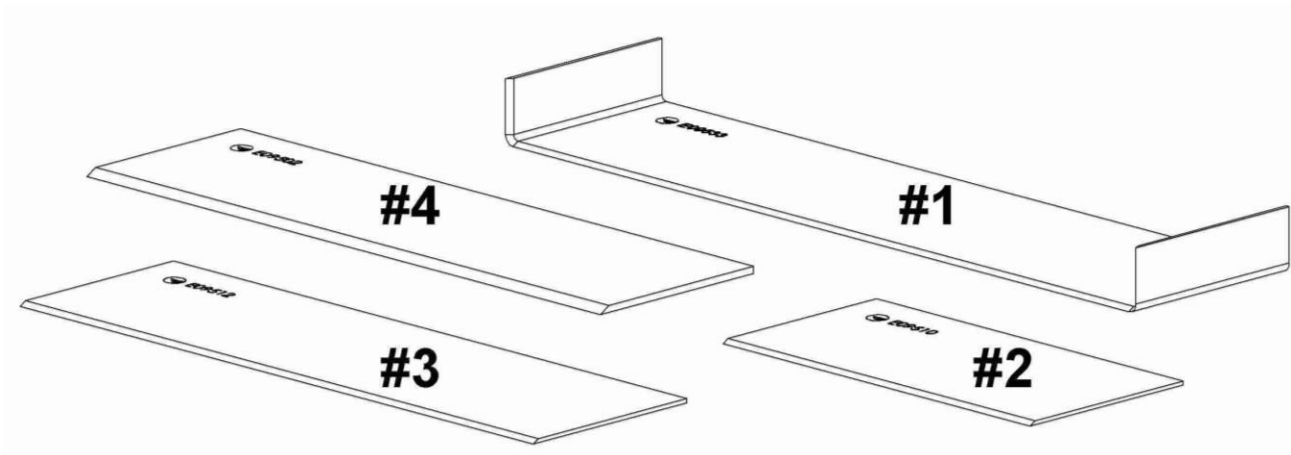


Fig. 03

Item	Blastrac PN	HQV PN	Description	Qty.
1	E09323	534611101	Handle bar	1
2	454796	534668101	Limit switch	2
3	E09343	534880901	Switch shaft	1
4	E09342	535368601	Spring	1
5	E09344	533253801	Switch lever	2
6	E09346	534404001	Connection lever	1
7	E03078	534513801	Bush	1
8	E09345	534360701	Bottom cover	1
9	E09566	533697801	Flex handle complete	2
10	E09347	534643601	Inner switch lever	1
11	DG29	533848201	Shock absorber	2
12	453290	534612901	Handle grip	2
13	E09567	534611201	Handle bar	2
14	E09568	534614201	Handle washer	2
15	BE0720	533381901	M10x20 set screw	2



**Blades**

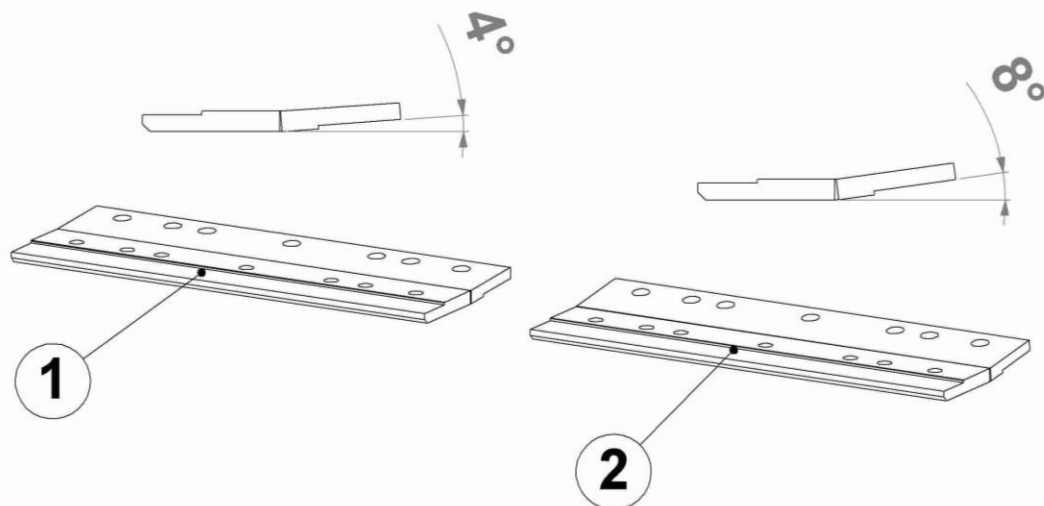


Blade #1 (Part No. E09533) - 305 x 76 mm, thickness 1,5 mm  
self-scoring blade, bevel up, carpet, soft (PVC, linoleum, rubber)

Blade #2 (Part No. E09510) - 152 x 76 mm, thickness 1,5 mm  
tile or linoleum on wood floors, difficult surfaces (ceramic, hardwood, heavy tile, etc.)

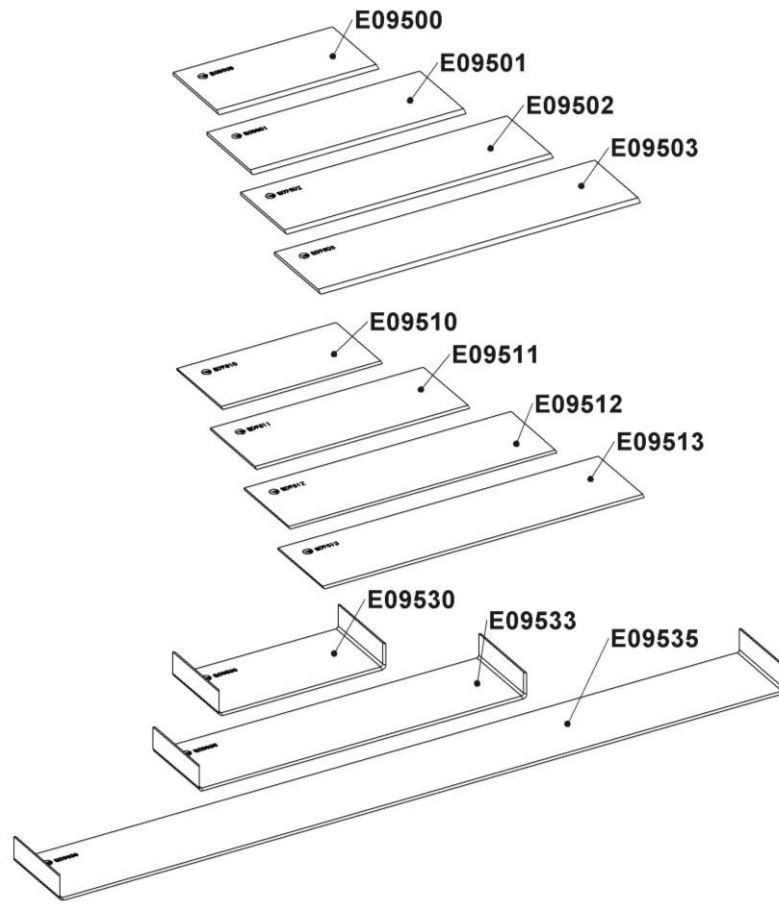
Blade #3 (Part No. E09512) - 254 x 76 mm, thickness 1,5 mm  
carpet, tile or resilient on wood & concrete floors

Blade #4 (Part No. E09502) - 254 x 76 mm, thickness 2,5 mm  
carpet, tile, PVC, Vct, tough coatings, hardwood & cork



Item	Blastrac PN	HQV PN	Description	Qty.
1	E09416	533754401	Angle adjustment 4 degrees	1
2	E09417	533754301	Angle adjustment 8 degrees	1

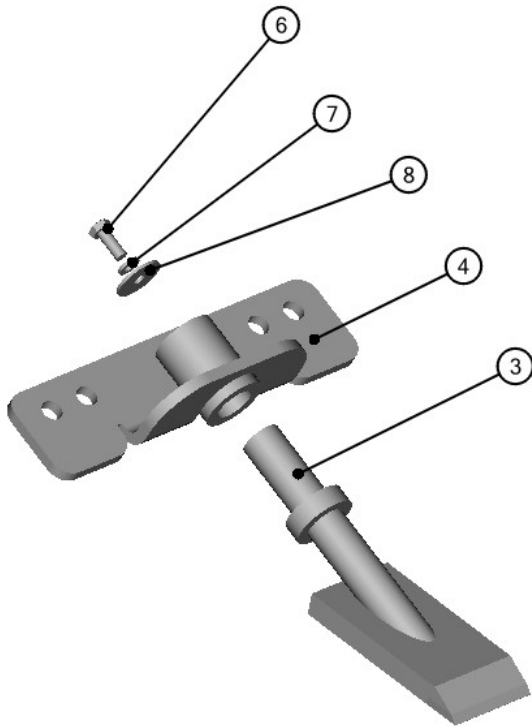




All blades can be used for (elastomeric) coatings, tile, carpet, rubber tiles, cork, glue, PVC, linoleum and all other applications.

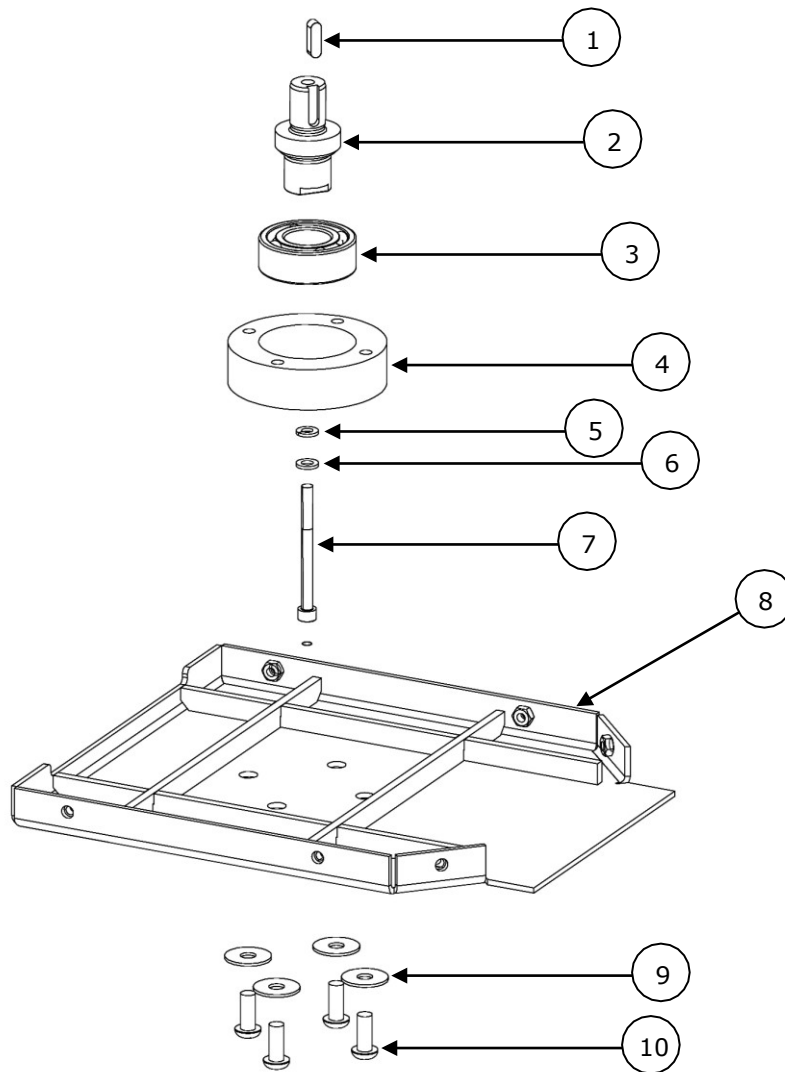
- The stronger the adhesive, the smaller the blade you have to use.
- Use thicker blades for longer lifetime or hard material to remove.

Item	Blastrac PN	HQV PN	Description	Qty.
	<b>E09500</b>	<b>534618201</b>	<b>Heavy Duty blade 152x76x2,5mm (6")</b>	
	<b>E09501</b>	<b>534618301</b>	<b>Heavy Duty blade 203x76x2,5mm (8")</b>	
	<b>E09502</b>	<b>534618501</b>	<b>Heavy Duty blade 254x76x2,5mm (10")</b>	
	<b>E09503</b>	<b>534618901</b>	<b>Heavy Duty blade 305x76x2,5mm (12")</b>	
	<b>E09510</b>	<b>534773201</b>	<b>Premium blade 152x76x1,6mm (6")</b>	
	<b>E09511</b>	<b>534773301</b>	<b>Premium blade 203x76x1,6mm (8")</b>	
	<b>E09512</b>	<b>534773701</b>	<b>Premium blade 254x76x1,6mm (10")</b>	
	<b>E09513</b>	<b>534773901</b>	<b>Premium blade 305x76x1,6mm (12")</b>	
	<b>E09530</b>	<b>534825501</b>	<b>Self-scoring blade 152x76x1,5mm (6")</b>	
	<b>E09533</b>	<b>534826101</b>	<b>Self-scoring blade 305x76x1,5mm (12")</b>	
	<b>E09535</b>	<b>533830501</b>	<b>Self-scoring blade 685x76x1,5mm (27")</b>	



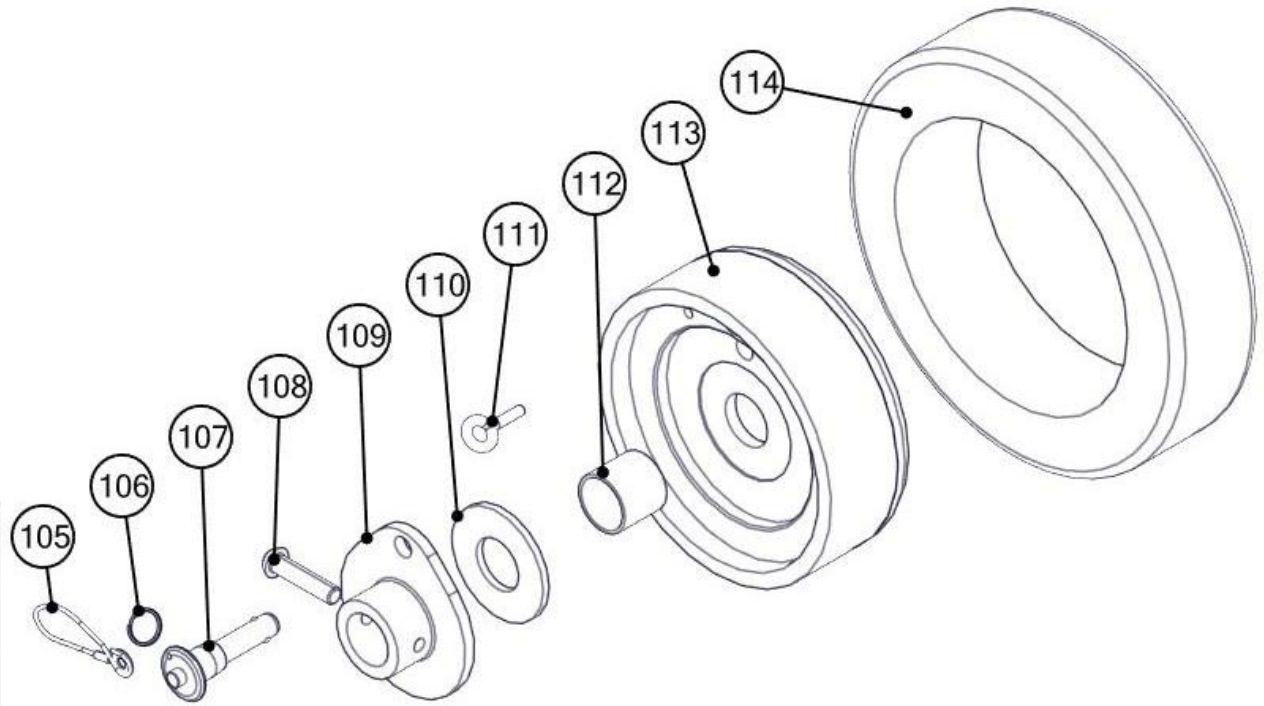
Item	Blastrac PN	HQV PN	Description	Qty.
3	E10107	533812101	Chisel for BS-110 / BS-75	1
4	E10106	533327101	Chisel holder for BS-110 / BS-75	1
5	BS-110-TOOLBOX	534901901	Toolbox for BS-110 consisting of: -Sturdy case with foam inlay -Spanner 13MM -Spanner 17MM -Spanner 19MM	1
6	BE0045	534692301	M6x16 hexagon head screw DIN933	1
7	BE0017	534691501	M6 spring lock washer	1
8	BE0312	534692901	M6x25x1,5 Washer	1

Fig.04



Item	Blastrac PN	HQV PN	Description	Qty.
1	BE0110	533483901	Key 6x6x20 mm	1
2	E12497	534876901	Support bearing shaft	1
3	E12499	534312901	Bearing 2205 E-2RS1	1
4	E12498	535170701	Support bearing flange	1
5	BE0017	534691501	M6 Spring lock washer	1
6	BE0016	533481901	M6 plain washer	1
7	BE1097	534459501	M6x70 Hex sockethead cap without loctite	1
8	E09328-1	534361401	Bottom plate	1
9	BE0313	-	M8x25x1,5 washer	4
10	BE0964	-	M8x20 Socket buttonhead screw	4
1-10	E13783	533337701	Axle support kit BS-110	1

Fig.05 Drive wheel



Item	Blastrac PN	HQV PN	Description	Qty.
<b>105</b>	E13668	534375601	Cable	1
<b>106</b>	BE1099	534859201	Key ring	1
<b>107</b>	E10334	533653701	Quick release pin	1
<b>108</b>		-	M8x35 Buttonhead screw	1
<b>109</b>	E09407-2	534940201	Wheel hub	1
<b>110</b>	E10319	-	Sliding thrust washer	1
<b>111</b>	BE1101	534690701	M5x15 Eyebolt	1
<b>112</b>	E13777	533111201	Teflon bearing	1
<b>113</b>	E09317-1	534940701	Wheel insert	1
<b>114</b>	E09197	534942901	Wheel tire	1
<b>108+109+ 110+112+ 113+114</b>	E09315-2	533529201	Wheel with hub	1



## BLASTRAC EUROPE

WE'RE READY TO ASSIST YOU!

### BLASTRAC THE NETHERLANDS

EUROPEAN HEAD OFFICE  
Utrechthaven 12  
NL - 3433 PN Nieuwegein  
Tel.: +31 (0)30 601 88 66  
Fax: +31 (0)30 601 83 33  
Email: [info@blastrac.nl](mailto:info@blastrac.nl)  
[WWW.BLASTRAC.EU](http://WWW.BLASTRAC.EU)

### BLASTRAC POLAND

SALES & SERVICE CENTRE  
Golina, ul. Dworcowa 47E  
63-200 Jarocin  
Tel.: +48 (0)62 740-41-50  
Fax: +48(0)62 740-41-51  
Email: [info@blastrac.pl](mailto:info@blastrac.pl)  
[WWW.BLASTRAC.PL](http://WWW.BLASTRAC.PL)

### BLASTRAC FRANCE

SALES & SERVICE CENTRE  
ZI - 29, Av. des Temps Modernes  
F - 86360 Chasseneuil du Poitou  
Tel.: +33 (0)5 49 00 49 20  
Fax: +33 (0)5 49 00 49 21  
Email: [info@blastrac.fr](mailto:info@blastrac.fr)  
[WWW.BLASTRAC.FR](http://WWW.BLASTRAC.FR)

### BLASTRAC ITALY

SALES & SERVICE CENTRE  
S.S. 10 Padana Inferiore, 41  
IT - 29012 Caorso (PC)  
Tel.: +39 0523 814241  
Fax: +39 0523 814245  
Email: [info@blastrac.it](mailto:info@blastrac.it)  
[WWW.BLASTRAC.IT](http://WWW.BLASTRAC.IT)

### BLASTRAC GERMANY

SALES & SERVICE CENTRE  
Richard-Byrd-Str. 15  
50829 Köln  
Tel.: +49 (0) 221 709032-0  
Fax: +49 (0) 221 709032-22  
Email: [info@blastrac.de](mailto:info@blastrac.de)  
[WWW.BLASTRAC.DE](http://WWW.BLASTRAC.DE)

### BLASTRAC UKRAINE

SALES & SERVICE CENTRE  
Nezalezhnosti 14, of. 21  
07400 Brovary  
Tel.: +38 (0)44 222 51 28  
Fax: +38 (0)44 277 98 29  
Email: [info@blastrac.com.ua](mailto:info@blastrac.com.ua)  
[WWW.BLASTRAC.COM.UA](http://WWW.BLASTRAC.COM.UA)

### BLASTRAC SPAIN

SALES & SERVICE CENTRE  
Calle del Estío, 9  
E - 28500  
Arganda del Rey, Madrid  
Tel.: +34 91 660 10 65  
Fax: +34 91 672 72 11  
Email: [info@blastrac.es](mailto:info@blastrac.es)  
[WWW.BLASTRAC.ES](http://WWW.BLASTRAC.ES)

### BLASTRAC UNITED KINGDOM

SALES & SERVICE CENTRE  
Unit 2a, Outgang Lane, Dinnington  
Sheffield, South Yorkshire  
GB - S25 3QY  
Tel.: +44 (0) 1909 / 569 118  
Fax: + 44 (0) 1909 / 567 570  
Email: [info@blastrac.co.uk](mailto:info@blastrac.co.uk)  
[WWW.BLASTRAC.CO.UK](http://WWW.BLASTRAC.CO.UK)

### BLASTRAC MIDDLE EAST

SALES & SERVICE CENTRE  
P.O. box 29424  
Dubai / United Arab Emirates  
Tel.: +971 4 3245760  
Fax: +971 4 3245761  
Email: [info@blastracdxb.ae](mailto:info@blastracdxb.ae)  
[WWW.BLASTRAC.AE](http://WWW.BLASTRAC.AE)

### BLASTRAC NORDIC

SALES & SERVICE CENTRE  
Lekstorps Industriväg 13D,  
443 41, Gråbo  
Sweden  
Tel.: +46 (0) 31 30 333 55  
Email: [info@blastrac.se](mailto:info@blastrac.se)  
[WWW.BLASTRAC.SE](http://WWW.BLASTRAC.SE)

### BLASTRAC INDIA

SALES & SERVICE CENTRE  
G.B. Warehousing, GAT NO- 523,  
Pune- Nagar Road, Wagholi  
Pune- 412 207  
Tel.: +91 99213 98109  
Email: [info.blastrac.in](mailto:info.blastrac.in)  
[WWW.BLASTRAC.IN](http://WWW.BLASTRAC.IN)