

SERVICE MANUAL EBE-200VMB

VERSION 0.3

**Maintenance log**

Date	Findings	Repair / Cleaning	Test on	By*

*competent person

Index

1. Spare parts **04**

Contact **16**



Fig. 01

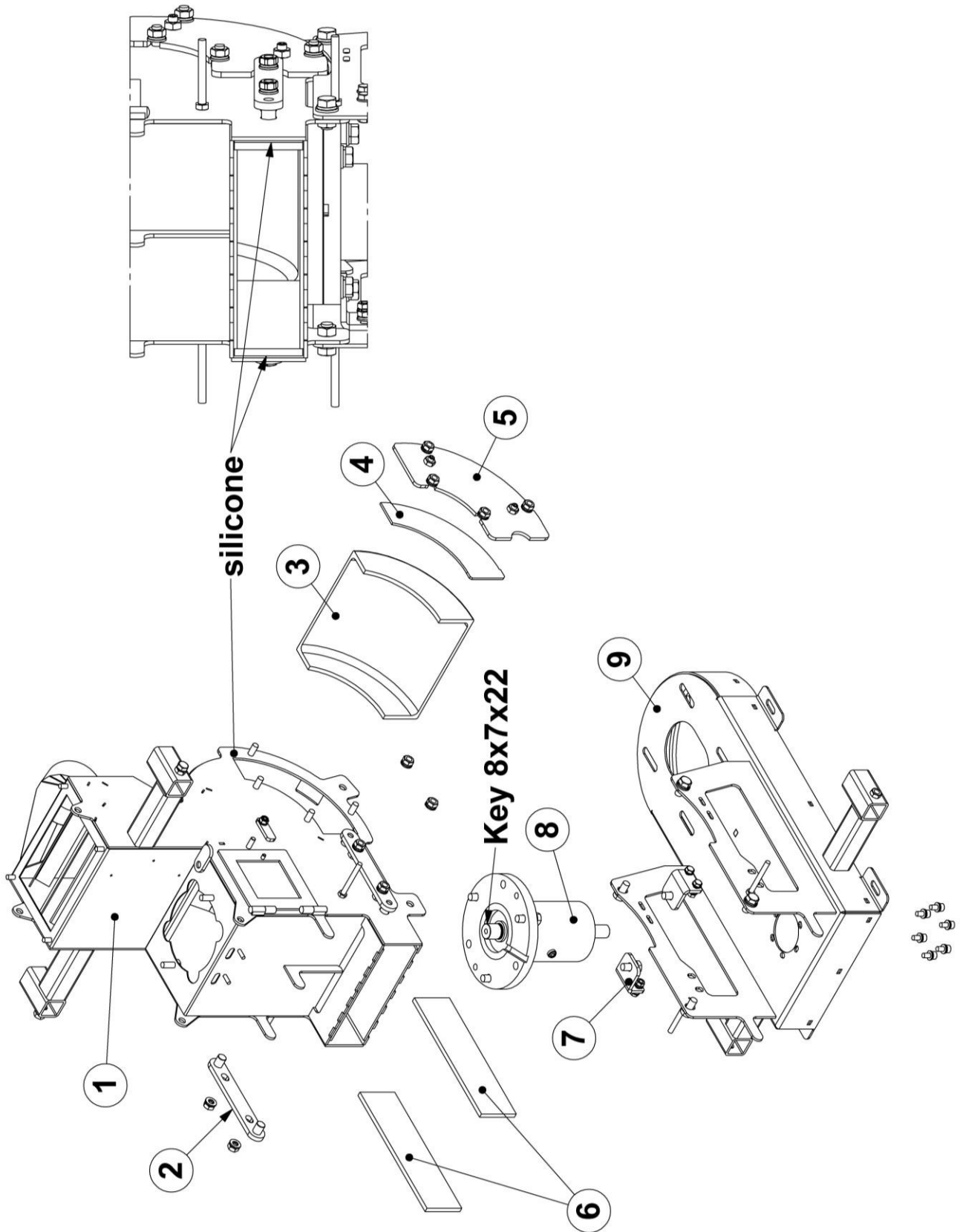


Fig. 01

Item	Blastrac PN	HQV PN	Description	Qty.
1	E12215	535111401	Blast housing	1
2	E12242	535242601	Liner press strip	2
3	E12217	534384601	Rebound liner	1
4	E12241	535177001	Filling plate	1
5	E12219	535232801	Rebound liner cover plate	1
6	E12218	534384701	Side liner	2
7	E12235	535096701	Bearing unit bracket	2
8	E00642	533665901	Bearing unit	1
9	E12234	535213101	Motor bracket	1



Fig. 02

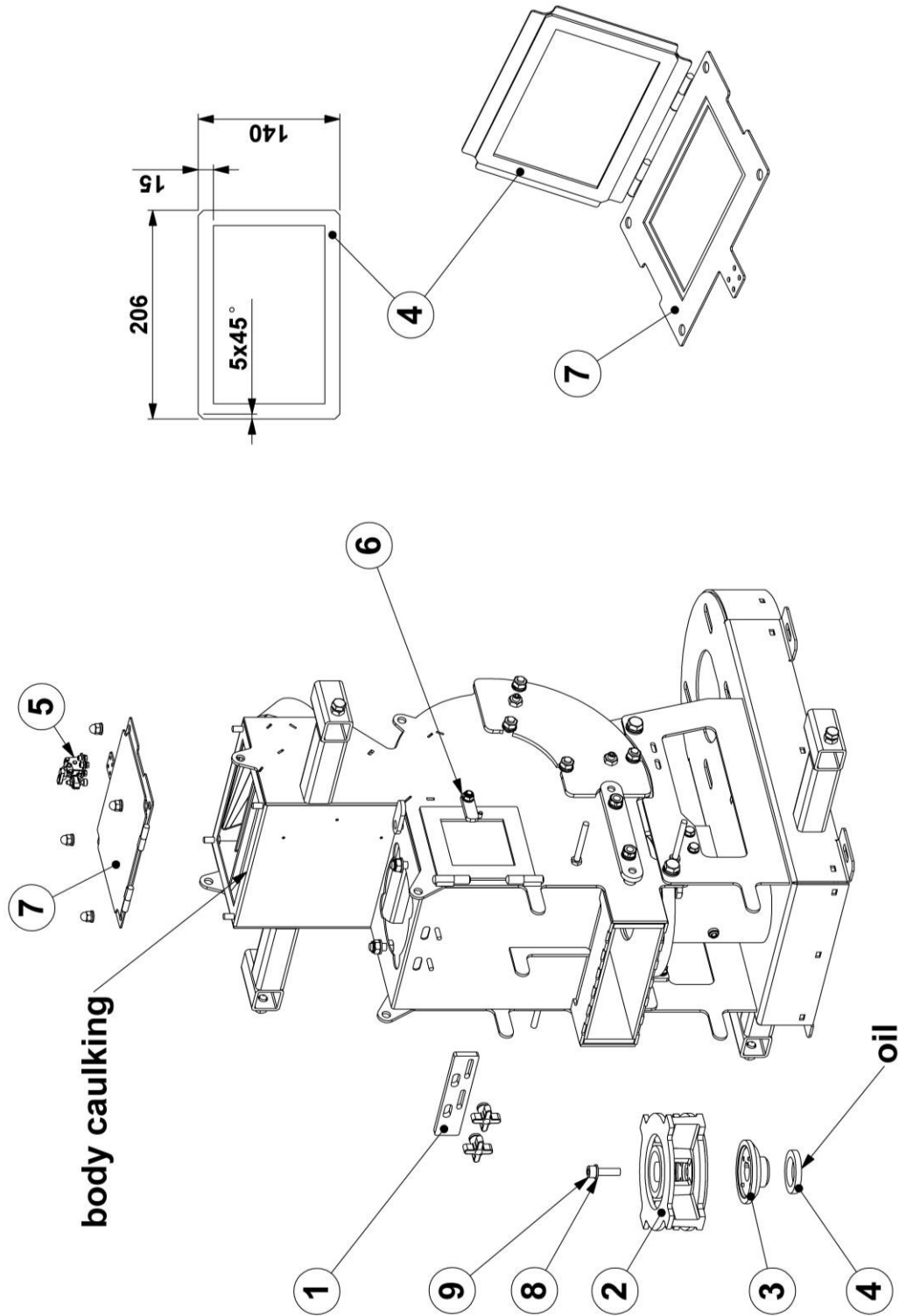




Fig. 02

Item	Blastrac PN	HQV PN	Description	Remarks	Qty.
1	E10441	535028801	Air slide		1
2	B20536K	531459001	Tune up kit		1
3	B20397	533762001	Hub		1
4	B20295	533442501	Felt seal		1
5	001084	534391301	Clamp		1
6	E10431	535205701	Locker		1
7	E12221	535256001	Top cover		1
8	BE0004	533268701	M10 washer		1
9	BE0714	-	M10x35 hex. Socket head cap	12.9	1

Fig. 03

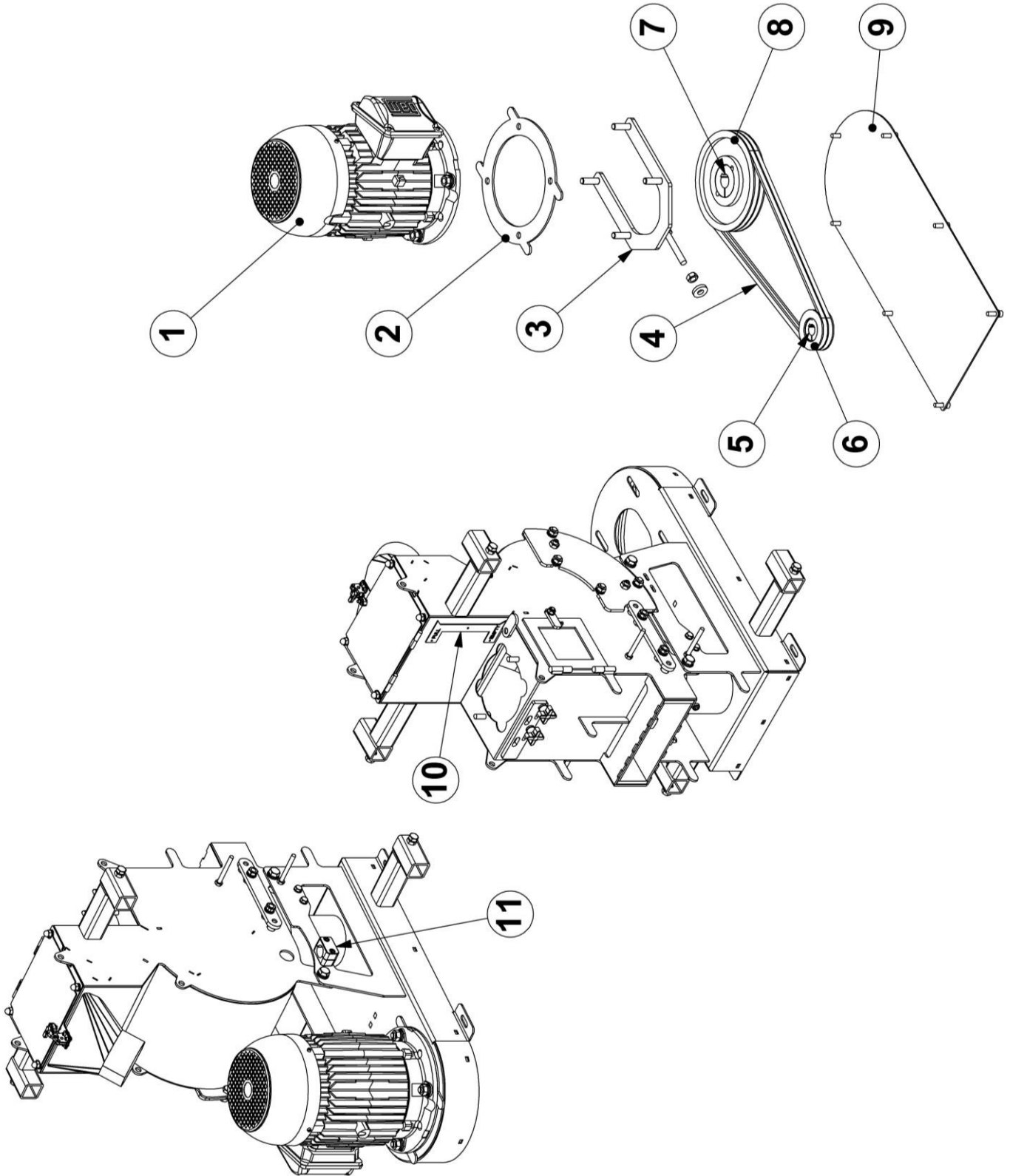


Fig. 03

Item	Blastrac PN	HQV PN	Description	Qty.
1	E06118-IE3	534053601	Blast motor	1
2	E10437	535175401	Fill up plate	1
3	E10436	535253701	Tension plate	1
4 (50Hz)	E01938	534930701	V- belt	2
(60Hz)	E06131	533960501	V-belt	2
5	E10439	-	Taper lock bush	1
6	976659	533822101	Pulley	1
7 (50Hz)	E10438	-	Taper lock bush	1
8 (50Hz)	E06160	534005101	Pulley	1
(60Hz)	E12037	534324201	Pulley	1
9	E10440	535098201	Belt cover	1
10	E10443	535198901	Indication plate	1
11	999-9155	533015801	Cable clamp	1

Fig. 04

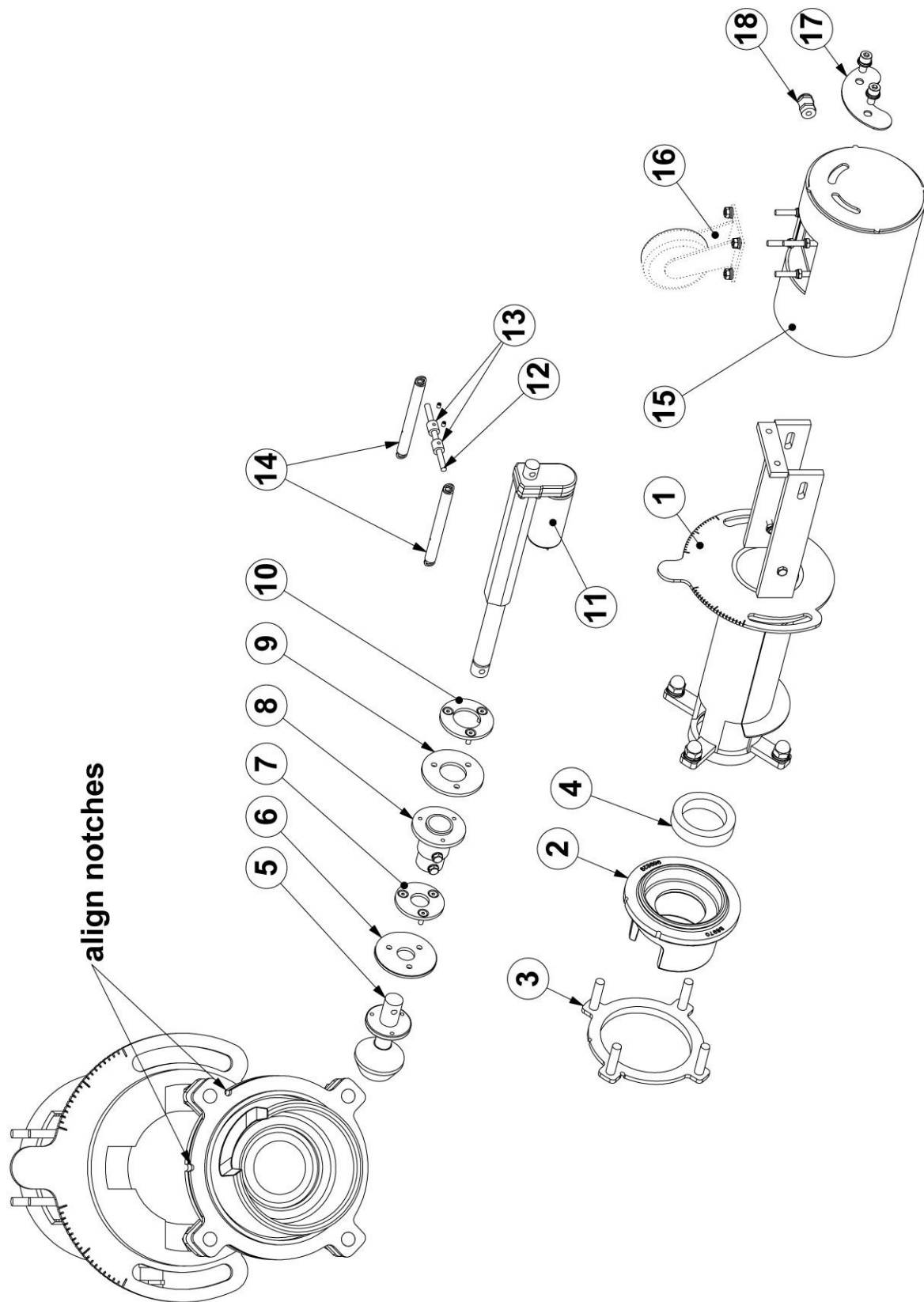


Fig. 04

Item	Blastrac PN	HQV PN	Description	Qty.
1	E10445	535240901	Shot valve housing	1
2	B20536K	531459001	Tune up kit	1
3	E10444	535147101	Cage clamp ring	1
4	E10447	-	Valve seal	1
5	E10448	-	Conical valve	1
6	E10449	-	Rubber seal washer	1
7	E10450	535236901	Seal washer plate	1
8	E10451	-	Connection bush	1
9	E10452	-	Rubber seal washer top	1
10	E10453	535237001	Seal washer plate top	1
11	E01646	534668801	Lineair actuator	1
12	E10454	535026501	Actuator pin	1
13	E10455	535163501	Distance bush	2
14	E10388	533238901	Tension spring	2
15	E10456	535026201	Actuator cover	1
16	E07343	534882701	Castor (only for 3 wheel version)	1
17	E10457	535170201	Dust plate	1
18	E00405	533984901	Cable gland	1

Fig. 05

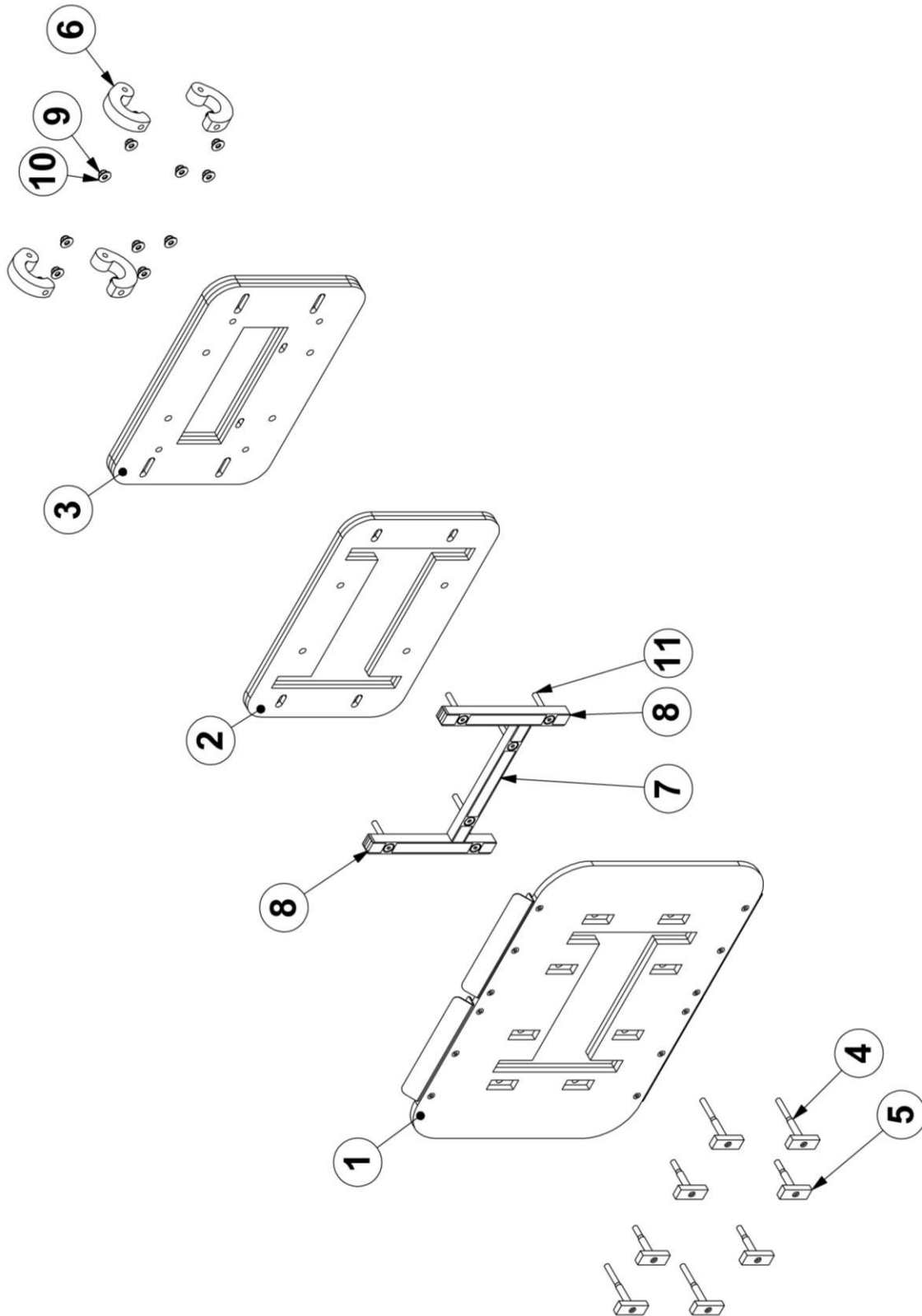


Fig. 05

Item	Blastrac PN	HQV PN	Description	Qty.
1	E12223	534726801	Mouth seal front plate completewith angle strips	1
2	E12227	534727501	Mouth seal magnet plate	2
3	E12228	534725801	Mouth seal back plate	3
4	E10466	534726101	Mouth seal bolt long	4
5	E10467	534726201	Mouth seal bolt short	4
6	E09288	531494001	Rubber spring	4
7	E12229	-	Magnet	1
8	969763	534697201	Magnet	2
9	BE0048	533511901	M8 lock nut	14
10	BE0313	-	M8 washer	10

Fig. 06

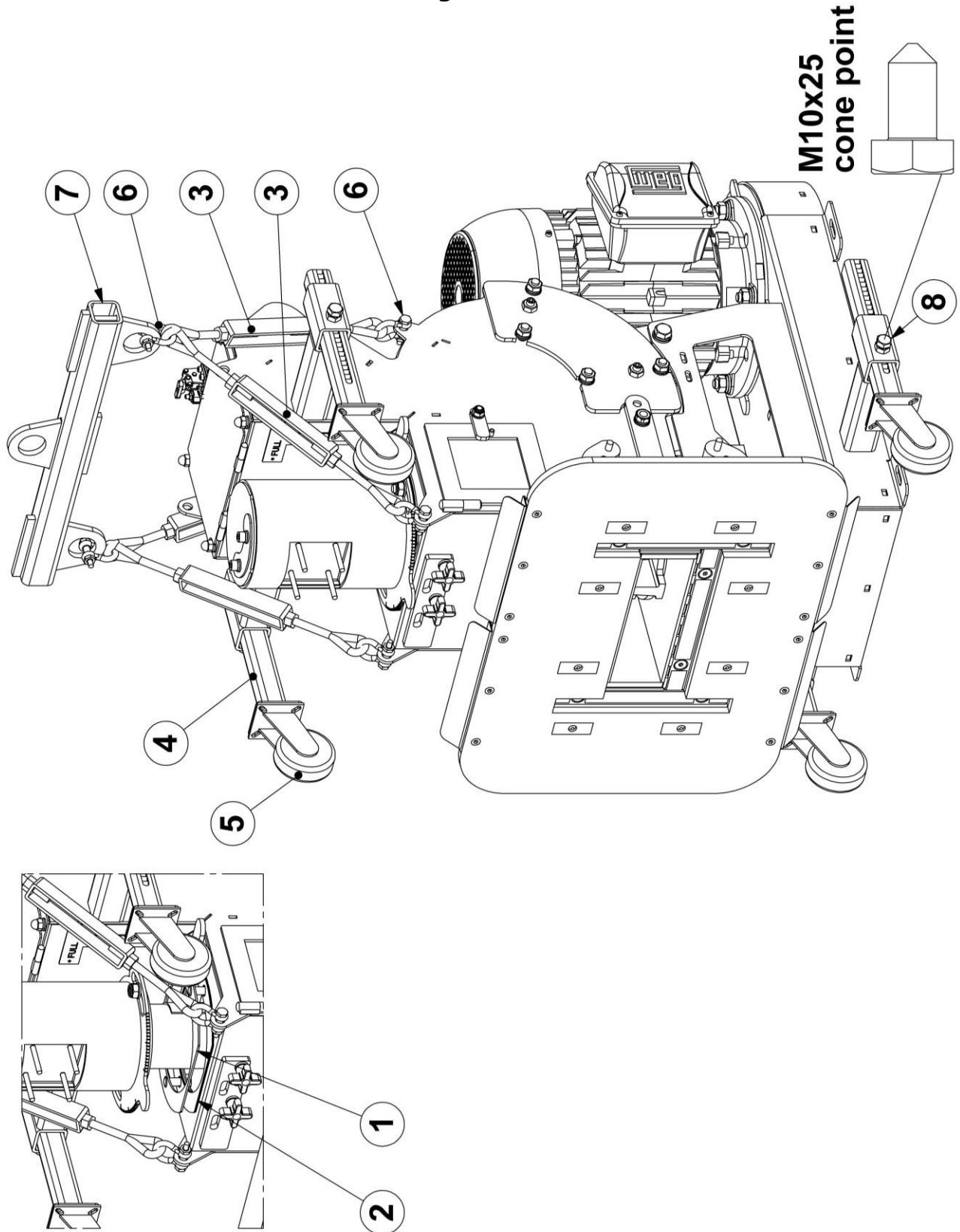


Fig. 06

Item	Blastrac PN	HQV PN	Description	Qty.
1	E12122	535175501	Fill up plate 2mm	1
2	E12275	535175901	Fill up plate 1mm	4
3	E10474	-	Turnbuckle	4
4	E12231	535271101	Wheel support	4
5	E07343	534882701	Caster wheel	4
6	E10475	-	Bow shackle	6
7	E10472	535195901	Hoist beam	1
8	BE0039-C	-	M10x25 cone point	2
9				



BLASTRAC EUROPE

WE'RE READY TO ASSIST YOU!

BLASTRAC THE NETHERLANDS

EUROPEAN HEAD OFFICE
 Utrechthaven 12
 NL - 3433 PN Nieuwegein
 Tel.: +31 (0)30 601 88 66
 Fax: +31 (0)30 601 83 33
 Email: info@blastrac.nl
WWW.BLASTRAC.EU

BLASTRAC POLAND

SALES & SERVICE CENTRE
 Golina, ul. Dworcowa 47E
 63-200 Jarocin
 Tel.: +48 (0)62 740-41-50
 Fax: +48(0)62 740-41-51
 Email: info@blastrac.pl
WWW.BLASTRAC.PL

BLASTRAC FRANCE

SALES & SERVICE CENTRE
 ZI - 29, Av. des Temps Modernes
 F - 86360 Chasseneuil du Poitou
 Tel.: +33 (0)5 49 00 49 20
 Fax: +33 (0)5 49 00 49 21
 Email: info@blastrac.fr
WWW.BLASTRAC.FR

BLASTRAC ITALY

SALES & SERVICE CENTRE
 S.S. 10 Padana Inferiore, 41
 IT - 29012 Caorso (PC)
 Tel.: +39 0523 814241
 Fax: +39 0523 814245
 Email: info@blastrac.it
WWW.BLASTRAC.IT

BLASTRAC GERMANY

SALES & SERVICE CENTRE
 Richard-Byrd-Str. 15
 50829 Köln
 Tel.: +49 (0) 221 709032-0
 Fax: +49 (0) 221 709032-22
 Email: info@blastrac.de
WWW.BLASTRAC.DE

BLASTRAC UKRAINE

SALES & SERVICE CENTRE
 Nezalezhnosti 14, of. 21
 07400 Brovary
 Tel.: +38 (0)44 222 51 28
 Fax: +38 (0)44 277 98 29
 Email: info@blastrac.com.ua
WWW.BLASTRAC.COM.UA

BLASTRAC SPAIN

SALES & SERVICE CENTRE
 Calle del Estío, 9
 E - 28500
 Arganda del Rey, Madrid
 Tel.: +34 91 660 10 65
 Fax: +34 91 672 72 11
 Email: info@blastrac.es
WWW.BLASTRAC.ES

BLASTRAC UNITED KINGDOM

SALES & SERVICE CENTRE
 Unit 2a, Outgang Lane, Dinnington
 Sheffield, South Yorkshire
 GB - S25 3QU
 Tel.: +44 (0) 1909 / 569 118
 Fax: + 44 (0) 1909 / 567 570
 Email: info@blastrac.co.uk
WWW.BLASTRAC.CO.UK

BLASTRAC MIDDLE EAST

SALES & SERVICE CENTRE
 P.O. box 29424
 Dubai / United Arab Emirates
 Tel.: +971 4 3245760
 Fax: +971 4 3245761
 Email: info@blastracdxbae
WWW.BLASTRAC.AE

BLASTRAC NORDIC

SALES & SERVICE CENTRE
 Lekstorps Industriväg 13D,
 443 41, Gråbo
 Sweden
 Tel.: +46 (0) 31 30 333 55
 Email: info@blastrac.se
WWW.BLASTRAC.SE

BLASTRAC INDIA

SALES & SERVICE CENTRE
 G.B. Warehousing, GAT NO- 523,
 Pune- Nagar Road, Wagholi
 Pune- 412 207
 Tel.: +91 99213 98109
 Email: info.blastrac.in
WWW.BLASTRAC.IN