

# SERVICE MANUAL BDC-44

## VERSION 2.3

## Index

<b>Maintenance log</b>	<b>03</b>
<b>1. Spare parts</b>	<b>04</b>
<b>Contact</b>	



**Inspection comments**

Inspection before initial operation on:	_____
By:	_____
Date of initial operation:	_____
Serial number & Year of manufacture:	_____

**Recurring inspections / maintenance log**

Date / hour counter	Findings	Repairs / Cleaning	Test on	By*

\*competent person



# 1. Spare parts

Fig. 01

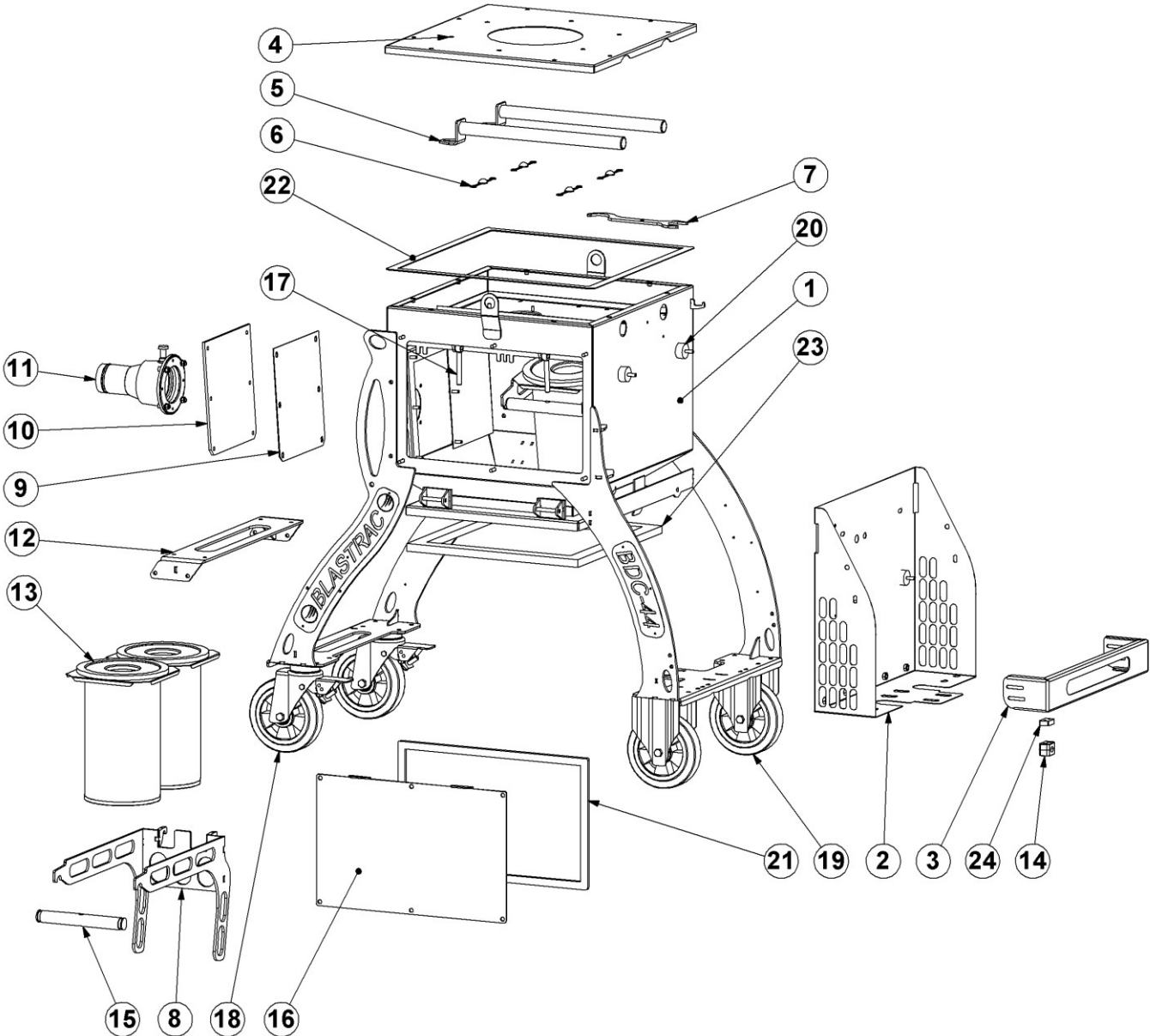


Fig. 01

Item	Blastrac PN	HQV PN	Description	Qty.
1	E09885	535177801	Filter house	1
2	E09912	535150601	Compressor cover	1
3	E07646	535150701	Compressor protection plate	1
4	E09890	531474701	Top cover	1
5	E09889	531482101	Pulse tube	2
6	E07763	533465401	Divider	4
7	E09767	533228201	Pulse tube key	1
8	E09893	533069301	Filter bracket	2
9	E09892	533127101	Filters secure plate	1
10	E09891	534815301	Rubber impact plate	1
11	K950171	533129901	Connection kit incl. Conn. Ø100 > Ø 76	1
12	E09888	533108801	Back legs bracket	1
13	E10600	533969201	Cartridge filter	4
14	999-9153	534757701	Pipe clamp 16mm (set)	1
15	E09895	531491801	Locking bar	2
16	E09896	533087401	Door filter house	1
17	BE0672	533698301	Eye bolt M10x120	2
18	E06875	533461101	Castor wheel	2
19	E06876	531482201	Wheel	2
20	999-9106	534070301	Shock absorber A40-20	4
21	B21189	533938701	Adhesive rubber seal 20x10	1,8m
22	E00649	533938601	Adhesive rubber seal 25x5	2,5m
23	E01309	533914901	Adhesive rubber seal 40x20	2,1m
24	E11033	535164001	Distance plate	1
	K900043	534240101	Connector Ø100mm	1
	K900236	533733501	Connector Ø100mm > Ø 76mm	1
	K900180	534564601	Connector Ø100mm > Ø 125mm	1
	K900095	534953901	Y-piece Ø100mm > 2x Ø 50mm	1
	K900184	534954201	Y-piece Ø100mm > 2x Ø 76mm	1



K900236



K900043



K900180



K900110



K900184



**Fig. 02**

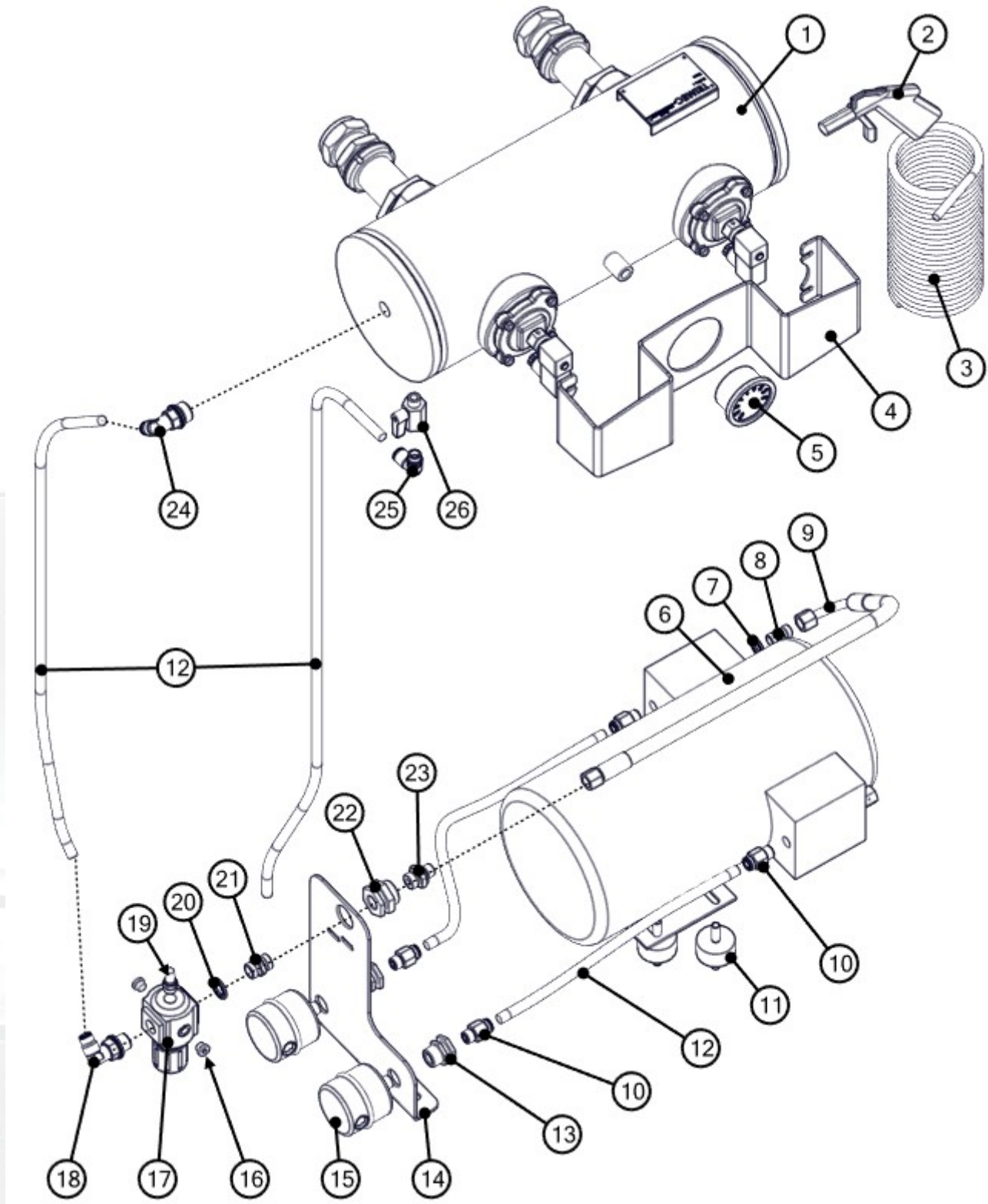


Fig. 02

Item	Blastrac PN	HQV PN	Description	Qty.
1	E07554	533258401	Header tank complete with 2 valves	1
2	DA--9290.1	534295001	Airpistol	1
3	DA--9290.2	534296001	Airhose 6 MM. L 5 MTR.	1
4	E07756	533478601	Protection plate pulse valve	1
5	E08945	534775701	Manometer	1
6	E06933	533396801	Compressor	1
7	E06972_1	533858001	Bonded seal 1/4"	1
8	E07585	-	Adapter male 1/4" BSP straight x male 1/4"	1
9	E07586	-	Hydr. Hose 1/4" met 1/4" fem.swivel straight	1
10	E00674	533884801	Hose conn.straight 10x1/4"mbsp	4
11	999-9106	534070301	Shock absorber A40-20	4
12	E00474	534056101	PU Hose 10mm Blue	4mtr.
13	E03158	533927201	Panel mount conn. 1/4x M20	2
14	E14662	534932701	Water separator mounting plate	1
15	E06935	533299601	Filter FS-04-025	1
16	E06968	533455601	Plug 1/8"	2
17	E06948	533653101	Pressure valve V72G-3GK-NMN	1
18	E04620	533450401	Connector Angle swiveling	1
19	E00034	533660501	Reduction silencer 1/4"	1
20	E06970_1	533400001	Bonded seal 3/8"	1
21	E07588	534262501	Adapter straight 3/8" x 3/8" steel	1
22	E01927	534573001	Panel mount.conn.3/8xM26	1
23	E07587	-	Adapter Straight 3/8"x 1/4" steel	1
24	B20057	533764501	Connector Angle swiveling	1
25	E06923	533882901	Adaptor knee 10mm x 1/4" mbsp, swivel	1
26	E14003	533838601	Mini ball valve 1/4" m/f bsp	1

**Fig. 03**

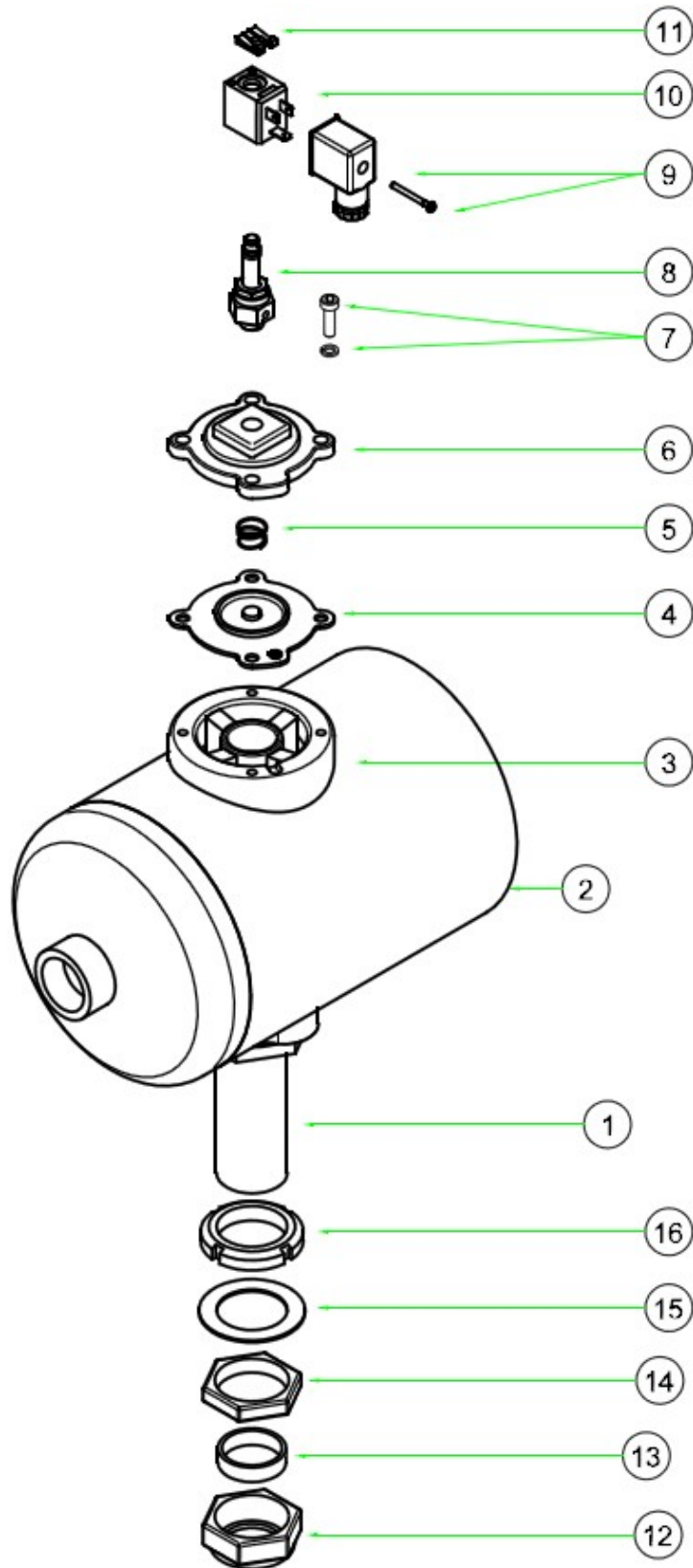






Fig. 03

Item	Blastrac PN	HQV PN	Description	Qty.
1	E10326	-	Blow pipe	2
2	E10327	-	Header tank 6" only (for 2 valves)	1
3	Not Available	-	Body 1" integrated	3
4-7	E10359	533640101	Diaphragm 1" complete	3
8-11	E10345	533752601	Valve complete for 6" header tank	3
9	E08397	534785601	Connector + cable	3
12	E10337	-	Nut	3
13	E10338	-	Rubber sleeve	3
14	E10339	-	Hexagonal nut	3
15	E10340	-	Rubber washer	3
16	E10341	-	Round nut	3





Fig. 04

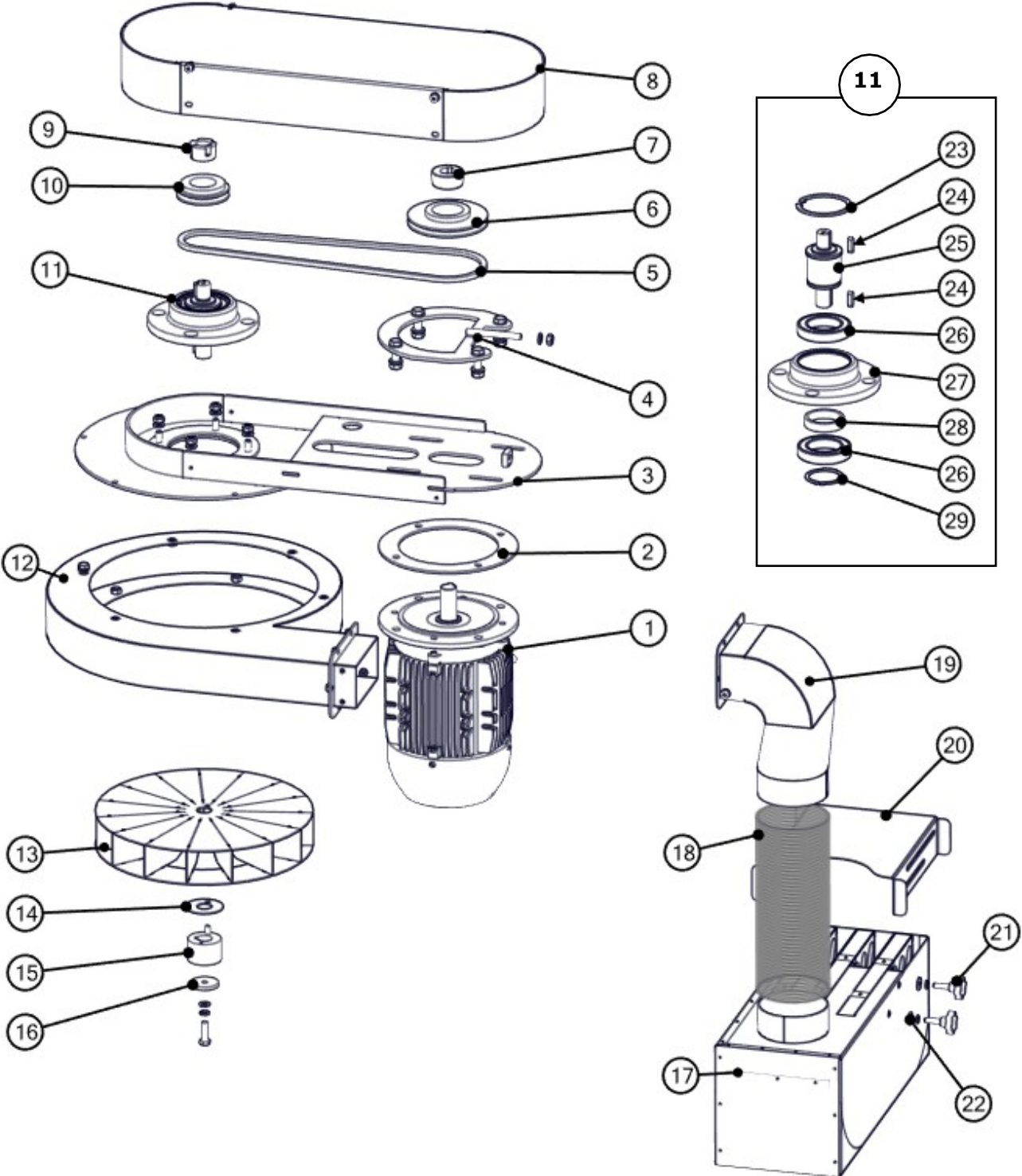
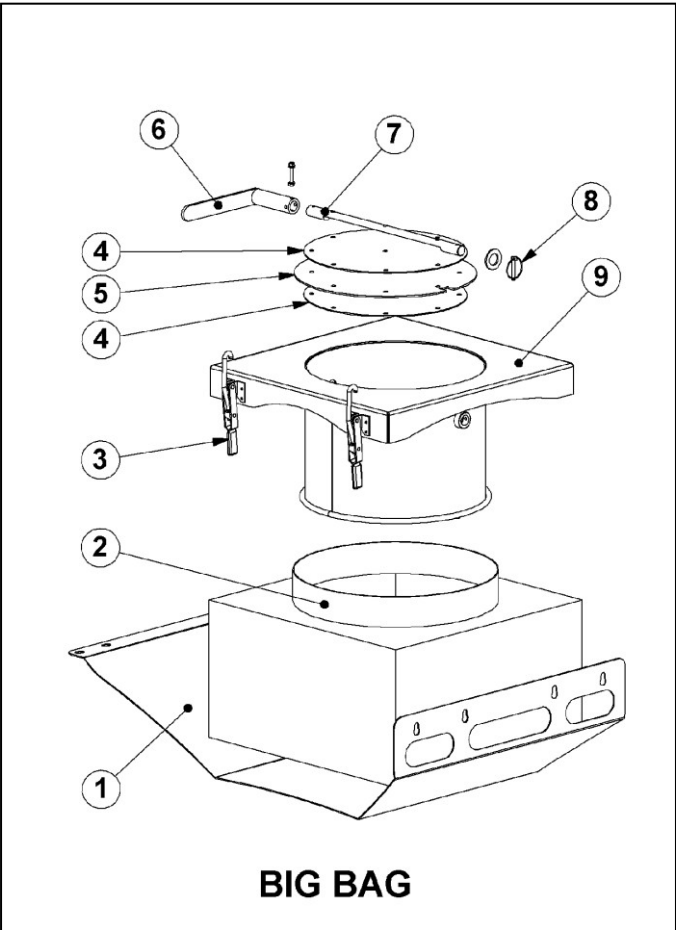


Fig. 04

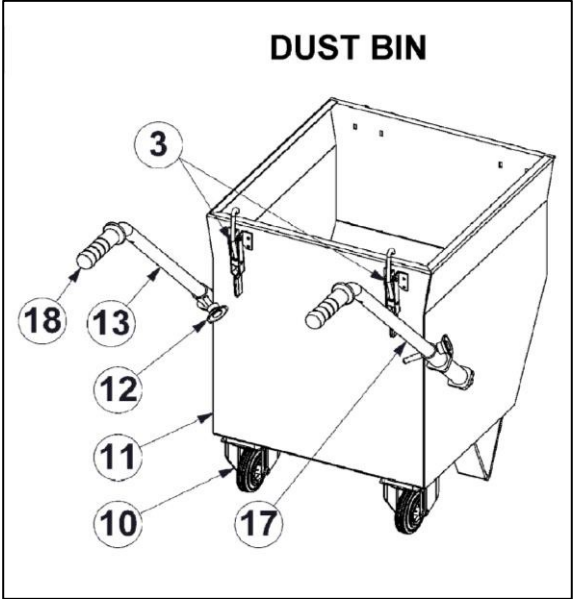
Item	Blastrac PN	HQV PN	Description	Remarks	Qty.
1	E07580-IE3	-	Motor 5,5kW / 3000RPM		1
2	E07069	533617701	Fill up ring fan motor		1
3	E07507	535174701	Motor mounting bracket		1
4	E07067	533162601	Tension plate		1
5	E07561	533437501	V-belt		1
6	491824	534892601	Motor pulley	50Hz	1
	500-2469	534926201	Motor pulley	60Hz	1
7	976657	533868101	Taperlock		1
8	E07070	533157101	Belt guard		1
9	E07254	-	Taperlock		1
10	E07559	534791201	Pulley	50Hz	1
	E07584	-	Pulley	60Hz	1
11	E13907	533779301	BU fan unit	#23-29	1
12	E07501	535174301	Fan housing		1
13	E07439	533966701	Fan impeller type 1		1
14	E07439_4	534574601	Fill up washer		1
15	E06965	533150701	Fan hub		1
16	E03195	533037101	Ring fan		1
17	E09878	533195101	Silencer		1
18	492019	535712601	Hose Ø125mm		0,34m
19	E09897	535243101	Silencer&Hepa adapter		1
20	E09979	-	Silencer top cover		1
21	BE0577	534046801	Turning knob M8x30		4
22	BE0327	533836701	M8 rubber washer		4
23	BE1104	-	Retaining ring		1
24	BE0256	533905401	Key		2
25	E13908	-	Fan shaft		1
26	E13910	-	Bearing		2
27	E13909	-	Bearing house		1
28	E13911	-	Spacer		1
29	BE1105	-	Retaining ring		1
30					



Fig. 05



20. E09608 Big bag kit BDC44 complete



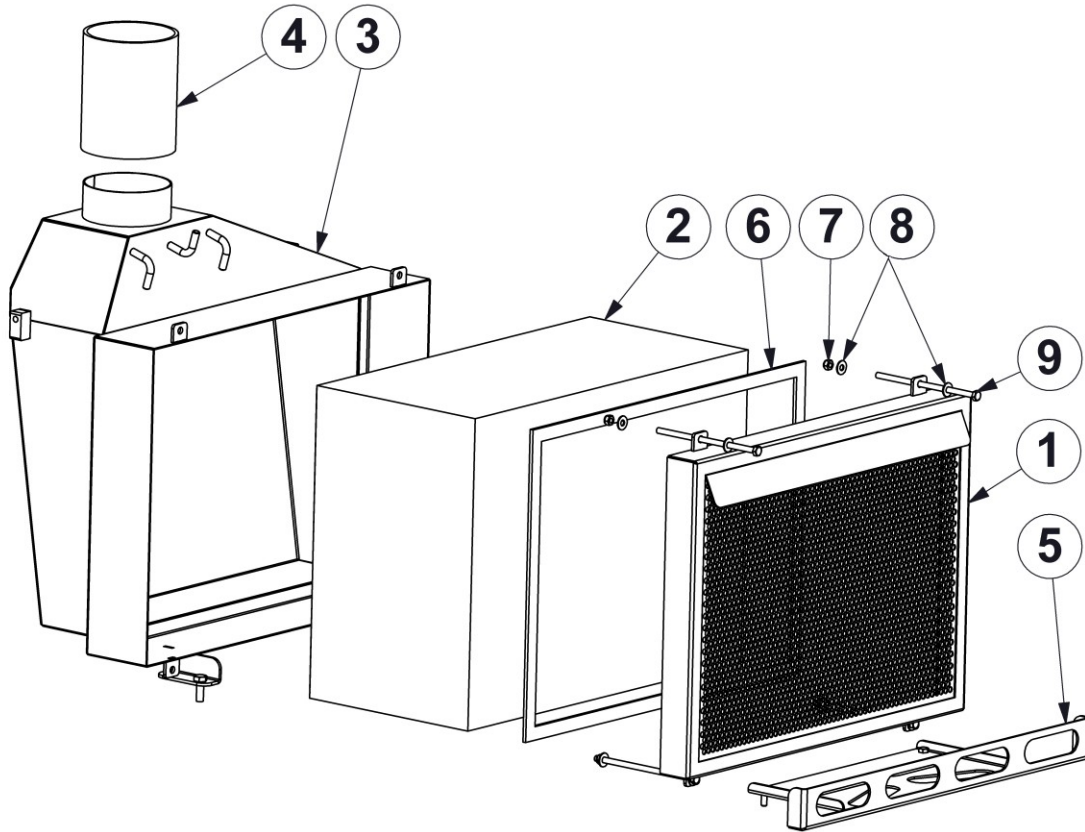
21. E09607 Dust bin kit BDC44 complete

Fig. 05

Item	Blastrac PN	HQV PN	Description	Qty.
1	E09903	533131401	Bottom plate	1
2	E06311	533960701	Big bag 50x50x27 67,5L	1
3	483551	534901201	Clamp	2
4	E04623	533136601	Valve plate	2
5	E04624	533559601	Rubber plate valve	1
6	E07703	531499101	Valve handle	1
7	E04622	533115501	Valve axle	1
8	BE0116	533295901	Linch pin	1
9	E07627	533044901	Big bag bracket	1
10	E06887	535905401	Wheel	2
11	E07621	535168301	Dust bin	1
12	E06934	533534801	Quick release pin	2
13	E09784	533206001	Handle	1
17	E11174	533235501	Handle	1
18	453290	534612901	Handle grip	2
20	E09608	534055101	Big bag kit BDC44 complete	1
21	E09607	533208901	Dust bin kit BDC44 complete	1



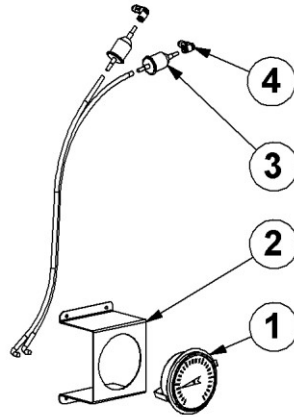
**Fig. 06 HEPA-kit (Option)**



**Fig. 06**

Item	Blastrac PN	HQV PN	Description	Qty.
1	E09120	535194001	Front cover	1
2	E11024	533757701	Hepa filter class H14	1
3	E09116	535193001	Back cover	1
4	492019	535712601	Hose Ø125	0,17m
5	E09911	533127201	Fender	1
6	E00689	533022401	Adhesive rubber seal 20x5	2,05m
7	M8 nut	-	Self-locking nut	4
8	M8 washer	-	Washer	4
9	M8x180	-	Bolt	4
1-9	E09118	534421001	Hepa kit complete H14 BDC-44	1

**Fig. 07 (Option)**



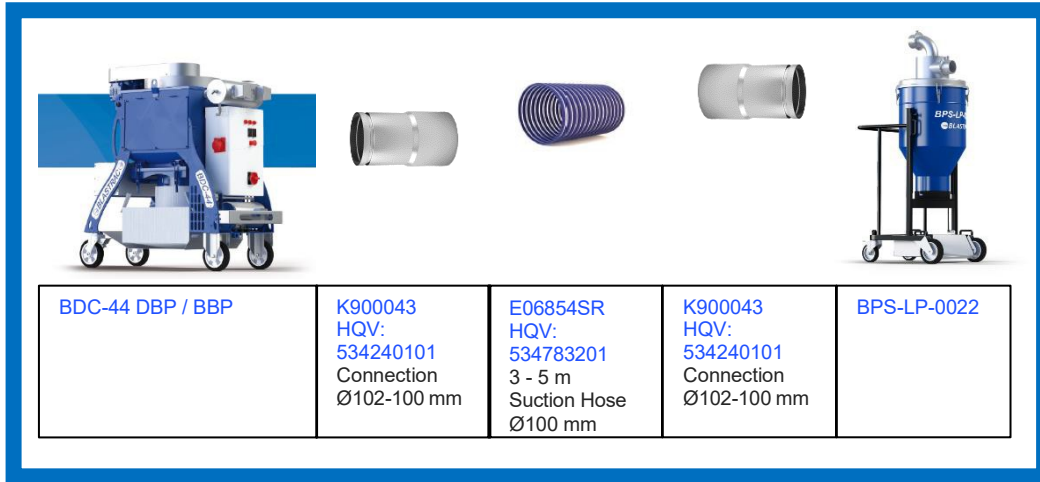
**Fig. 07**

Item	Blastrac PN	HQV PN	Description	Qty.
1	491837	534775201	Difference pressure measure	1
2	E11036	533458301	Bracket	1
3	2381-365	533529701	Filter vacuum gauge	2
4	E11039	534564501	Elbow male adaptor	2
5	E00441	534787701	PVC hose 9x6mm clear	2m
1-5	E11050	534433301	Diff. vacuum gauge kit BDC44	1



**Fig. 08 Pre-Separator BPS-LP-00220 + BDC-44 setup**

Basic starting layout:





## BLASTRAC EUROPE

WE'RE READY TO ASSIST YOU!

### BLASTRAC THE NETHERLANDS

#### EUROPEAN HEAD OFFICE

Utrechthaven 12  
 NL - 3433 PN Nieuwegein  
 Tel.: +31 (0)30 601 88 66  
 Fax: +31 (0)30 601 83 33  
 Email: [info@blastrac.nl](mailto:info@blastrac.nl)  
[WWW.BLASTRAC.EU](http://WWW.BLASTRAC.EU)

### BLASTRAC POLAND

#### SALES & SERVICE CENTRE

Golina, ul. Dworcowa 47E  
 63-200 Jarocin  
 Tel.: +48 (0)62 740-41-50  
 Fax: +48(0)62 740-41-51  
 Email: [info@blastrac.pl](mailto:info@blastrac.pl)  
[WWW.BLASTRAC.PL](http://WWW.BLASTRAC.PL)

### BLASTRAC FRANCE

#### SALES & SERVICE CENTRE

ZI - 29, Av. des Temps Modernes  
 F - 86360 Chasseneuil du Poitou  
 Tel.: +33 (0)5 49 00 49 20  
 Fax: +33 (0)5 49 00 49 21  
 Email: [info@blastrac.fr](mailto:info@blastrac.fr)  
[WWW.BLASTRAC.FR](http://WWW.BLASTRAC.FR)

### BLASTRAC ITALY

#### SALES & SERVICE CENTRE

S.S. 10 Padana Inferiore, 41  
 IT - 29012 Caorso (PC)  
 Tel.: +39 0523 814241  
 Fax: +39 0523 814245  
 Email: [info@blastrac.it](mailto:info@blastrac.it)  
[WWW.BLASTRAC.IT](http://WWW.BLASTRAC.IT)

### BLASTRAC GERMANY

#### SALES & SERVICE CENTRE

Richard-Byrd-Str. 15  
 50829 Köln  
 Tel.: +49 (0) 221 709032-0  
 Fax: +49 (0) 221 709032-22  
 Email: [info@blastrac.de](mailto:info@blastrac.de)  
[WWW.BLASTRAC.DE](http://WWW.BLASTRAC.DE)

### BLASTRAC UKRAINE

#### SALES & SERVICE CENTRE

Nezalezhnosti 14, of. 21  
 07400 Brovary  
 Tel.: +38 (0)44 222 51 28  
 Fax: +38 (0)44 277 98 29  
 Email: [info@blastrac.com.ua](mailto:info@blastrac.com.ua)  
[WWW.BLASTRAC.COM.UA](http://WWW.BLASTRAC.COM.UA)

### BLASTRAC SPAIN

#### SALES & SERVICE CENTRE

Calle del Estío, 9  
 E - 28500  
 Arganda del Rey, Madrid  
 Tel.: +34 91 660 10 65  
 Fax: +34 91 672 72 11  
 Email: [info@blastrac.es](mailto:info@blastrac.es)  
[WWW.BLASTRAC.ES](http://WWW.BLASTRAC.ES)

### BLASTRAC UNITED KINGDOM

#### SALES & SERVICE CENTRE

Unit 2a, Outgang Lane, Dinnington  
 Sheffield, South Yorkshire  
 GB - S25 3QU  
 Tel.: +44 (0) 1909 / 569 118  
 Fax: + 44 (0) 1909 / 567 570  
 Email: [info@blastrac.co.uk](mailto:info@blastrac.co.uk)  
[WWW.BLASTRAC.CO.UK](http://WWW.BLASTRAC.CO.UK)

### BLASTRAC MIDDLE EAST

#### SALES & SERVICE CENTRE

P.O. box 29424  
 Dubai / United Arab Emirates  
 Tel.: +971 4 3245760  
 Fax: +971 4 3245761  
 Email: [info@blastracdxbae](mailto:info@blastracdxbae)  
[WWW.BLASTRAC.AE](http://WWW.BLASTRAC.AE)

### BLASTRAC NORDIC

#### SALES & SERVICE CENTRE

Lekstorps Industriväg 13D,  
 443 41, Gråbo  
 Sweden  
 Tel.: +46 (0) 31 30 333 55  
 Email: [info@blastrac.se](mailto:info@blastrac.se)  
[WWW.BLASTRAC.SE](http://WWW.BLASTRAC.SE)

### BLASTRAC INDIA

#### SALES & SERVICE CENTRE

G.B. Warehousing, GAT NO- 523,  
 Pune- Nagar Road, Wagholi  
 Pune- 412 207  
 Tel.: +91 99213 98109  
 Email: [info.blastrac.in](mailto:info.blastrac.in)  
[WWW.BLASTRAC.IN](http://WWW.BLASTRAC.IN)