



SERVICE MANUAL BDC-99
VERSION 3.9
Serial numbers 28779B & up



Index

Maintenance log	03
1. Spare parts	04
Contact	



Inspection comments

Inspection before initial operation on:	_____
By:	_____
Date of initial operation:	_____
Serial number & Year of manufacture:	_____

Recurring inspections / maintenance log

Date	Findings	Repairs / Cleaning	Test on	By*

*competent person



1. Spare parts

Fig. 01

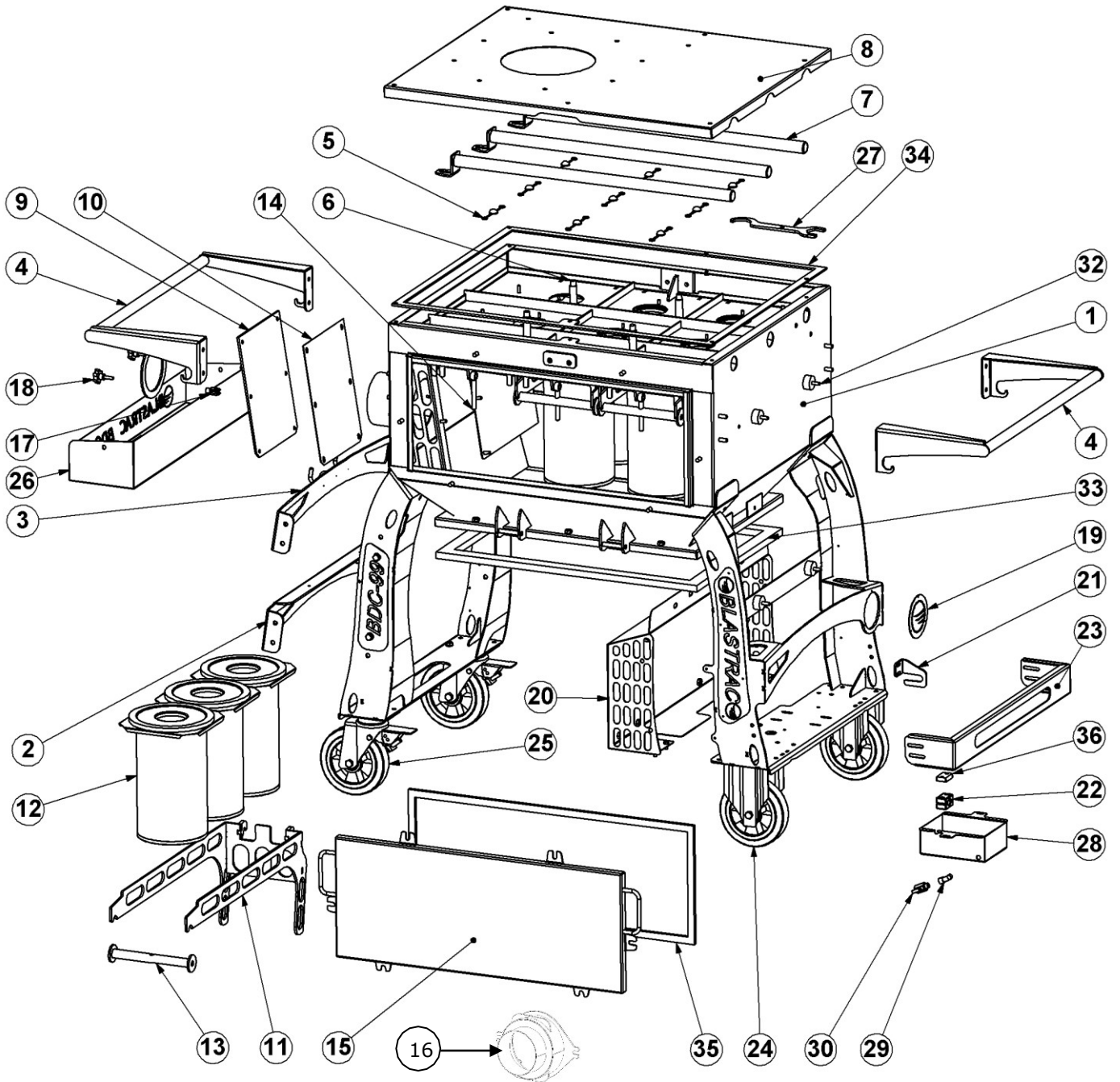




Fig. 01

Item	Blastrac PN	HQV PN	Description	Qty.	
1	E09921	531865801	Filter house	1	
2	E09924	533575601	Back legs bottom bracket	1	
3	E09925	533525701	Back legs upper bracket	1	
4	E09926	531461801	Handle	2	
5	E07763	533465401	Divider	9	
6	E03466	534014001	Rubber distance	4	
7	E09755	533119601	Pulse tube	3	
8	E09927	533093701	Top cover	1	
9	E09778	533383801	Rubber impact plate	1	
10	E09757	535178501	Filters secure plate	1	
11	E09928	535177401	Filter bracket	3	
12	E10600	533969201	Cartridge filter	9	
13	E09874	533172101	Locking bar	3	
14	BE0672	533698301	Eye bolt M10x120	3	
15	E09937	534519101	Door filter house	1	
16	E09685	533677501	Hose adapter 150-130	1	
17	BE0560	534587601	M8 fork joint 8x16	2	
18	BE0577	534046801	Turning knob M8x30	2	
19	E11035	535207201	Logo	1	
20	E09929	534400801	Compressor cover	1	
21	E09791	534363001	Bracket	1	
22	999-9155	533015801	Pipe clamp 25mm (set)	1	
23	E09930	534402301	Compressor protection plate	1	
24	E09598	533190401	Low friction wheel	2	
25	E09597	533503701	Low friction castor wheel	2	
26	E09931	533093801	Box	1	
27	E09767	533228201	Pulse tube key	1	
28	E06932	533250501	Drain box	1	
29	E03197	533527901	KNEE 1/4" MBSPT x 1/4" FBSP	1	
30	E14003	533838601	Mini ball valve 1/4" m/f bsp	1	
31	E09934	535203501	Lifting beam	1	
32	999-9106	534070301	Shock absorber A40-20	4	
33	E01309	533914901	Adhesive rubber seal 40x20	2,9m	
34	E00649	533938601	Adhesive rubber seal 25x5	3,7m	
35	B21189	533938701	Adhesive rubber seal 20x10	2,5m	
36	E11032	533028701	Distance plate	1	
37	E09229	534557401	Electrobox BDC-99	Up to and including serialnumber 28780B	1
	E09229-1	534557401	Electrobox BDC-99 / SOFT	From serialnumber 28781B & up	1



Fig. 02

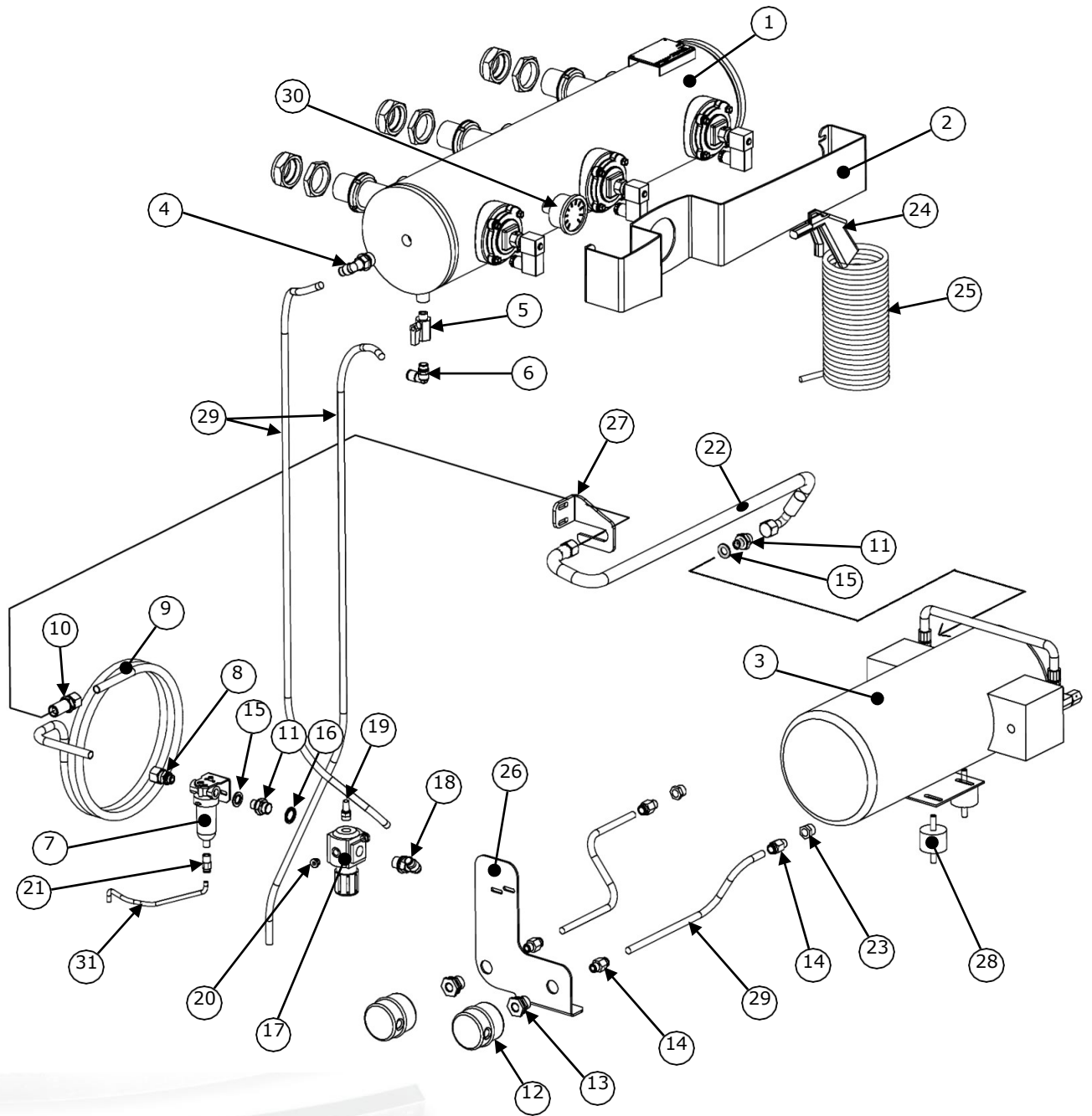




Fig. 02

Item	Blastrac PN	HQV PN	Description	Qty.
1	E09339	533258301	Header tank complete with 3 valves	1
2	E09935	533199001	Protection pulse valve	1
3	E09385	533210401	Compressor	1
4	B20057	533764501	Connector Angle swiveling	1
5	E14003	533838601	Mini ball valve 1/4" m/f bsp	1
6	E06923	533882901	Adaptor knee 10mm x 1/4" mbsp, swivel	1
7	E07456&E07457	533842701& 534035701	Water separator & Bracket	1
8	E01925	533880201	Male stud coupling 1/4" BSP x Ø12 + Bonded seal	1
9	E06928	533835201	Cooling spiral	1
10	E06974	533923801	Right connector M18x1.5 Ø12	1
11	E06972	533884301	Adapter male 1/4" BSP x male 3/8"	2
12	E06935	533299601	Filter FS-04-025	2
13	E03158	533927201	Panel mount conn. 1/4x M20	2
14	E00674	533884801	Hose conn.straight 10x1/4"mbsp	4
15	E06972_1	533858001	Bonded seal 1/4"	2
16	E06970_1	533400001	Bonded seal 3/8"	1
17	E06948	533653101	Pressure valve V72G-3GK-NMN	1
18	E04620	533450401	Connector Angle swiveling	1
19	E00034	533660501	Dust excluder 1/4" mbsp	1
20	E06968	533455601	Plug 1/8"	2
21	E01157	533774501	Straight coupler Ø6x1/8" fbsp	1
22	E06925	533903601	Hydraulic hose M18x1.5 female x 3/8" BSP	1
23	E01009	533507901	Reducing ring 3/8" x 1/4" bsp	2
24	DA--9290.1	534295001	Airpistol	1
25	DA--9290.2	534296001	Airhose 6 MM. L 5 MTR.	1
26	E09790	534932601	Water separator mounting plate	1
27	E09791	534363001	Bracket	1
28	999-9107	533943201	Shock absorber A40-30	4
29	E00474	534056101	Airhose 10mm Blue	2.5m
30	E08945	534775701	Manometer	1
31	E00473	534784601	Airhose 6mm Blue	0.5m



Fig. 03

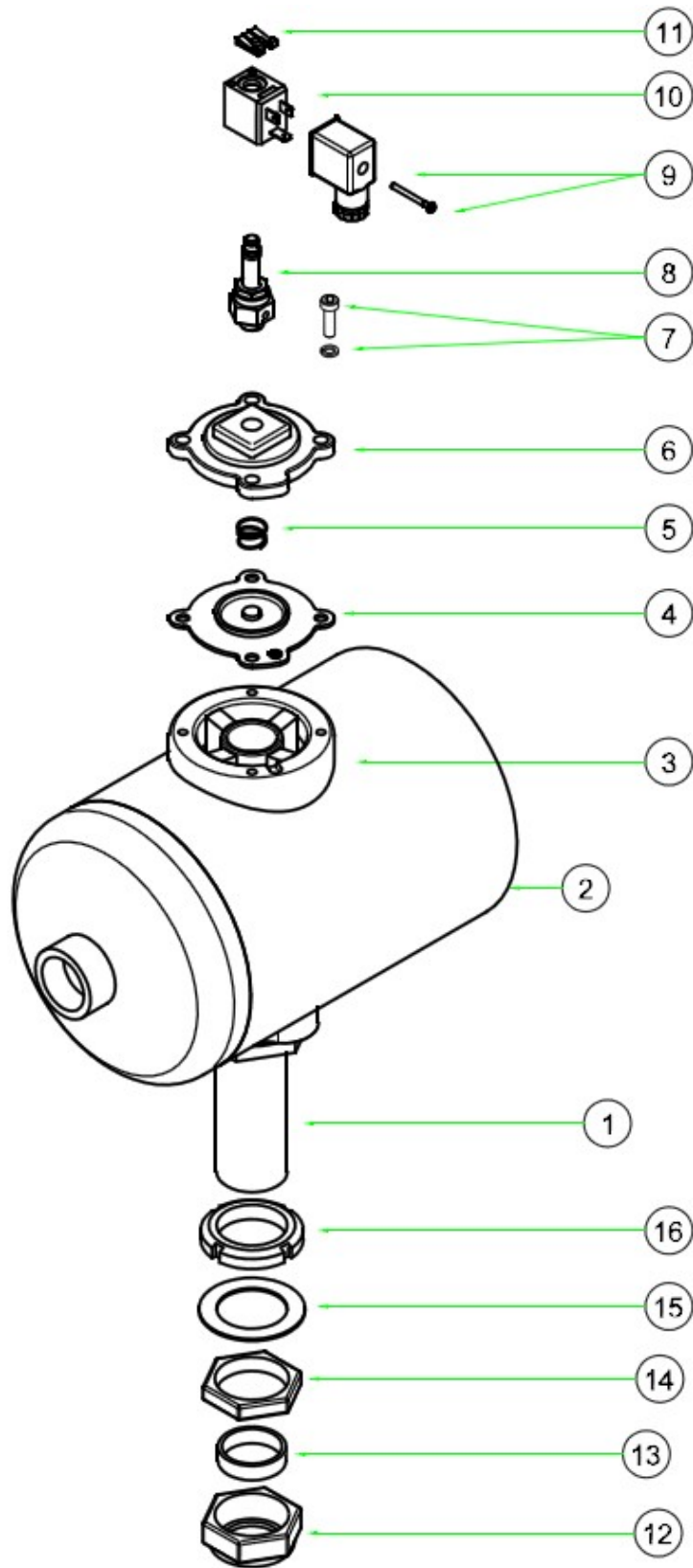




Fig. 03

Item	Blastrac PN	HQV PN	Description	Qty.
1	E10326	-	Blow pipe	3
2	E10342	-	Header tank 6" only (for 3 valves)	1
3	Not Available	-	Body 1" integrated	3
4-7	E10359	533640101	Diaphragm 1" complete	3
8-11	E10345	533752601	Valve complete for 6" header tank	3
9	E08397	534785601	Connector + cable	3
12	E10337	-	Nut	3
13	E10338	-	Rubber sleeve	3
14	E10339	-	Hexagonal nut	3
15	E10340	-	Rubber washer	3
16	E10341	-	Round nut	3





Fig. 4.1

Up to and including serialnumber 28778B

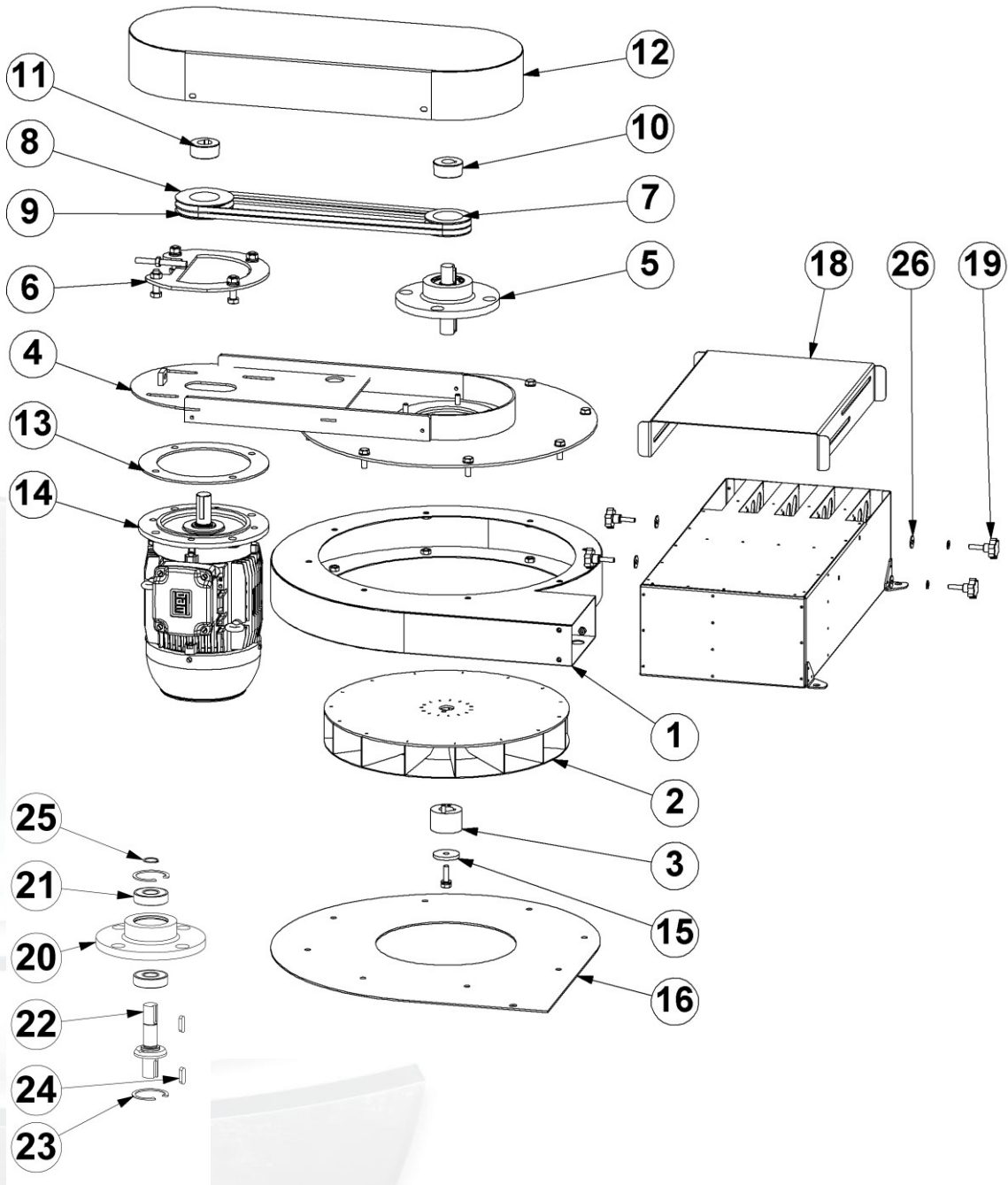




Fig. 4.1

Up to and including serialnumber 28778B

Item	Blastrac PN	HQV PN	Description	Remarks	Qty.
1	E06989	533455501	Fan housing		1
2	E06954	533463101	Fan impeller type 1		1
3	E06965	533150701	Fan hub		1
4	E07059	533480701	Motor mounting bracket		1
5	E07594	533496301	BU fan unit (set)		1
6	E07067	533162601	Tension plate		1
7	DG14	531490201	Fan pulley	50Hz	1
	E07278	533719001	Fan pulley	60Hz	1
8	E07278	533719001	Motor pulley	50Hz	1
	E10595	534324101	Motor pulley	60Hz	1
9	E06131	533960501	V-belt		2
10	222-2301-V	531490901	Fan taperlock		1
11	976657	533868101	Motor taperlock		1
12	E07070	533157101	Belt guard		1
13	E07069	533617701	Fill up ring fan motor		1
14	E06118-IE3	534053601	Motor 7,5kW		1
	E06118-IE3/EX	534550701	ATEX motor 7.5kW		1
15	E03195	533037101	Ring fan		1
16	E09771	533270801	Distance plate		1
17	E09770	533284301	Silencer		1
18	E09769	533474601	Silencer top cover		1
19	BE0577	534046801	Turning knob M8x30		4
20	E00702	534315001	Fan adapter bearing house		1
21	E00705	533090501	Bearing		2
22	E07517	533104201	Fan shaft		1
23	E00951	533292201	Retaining ring		2
24	BE0256	533905401	Key		2
25	BE0076	533914201	Circlip for shaft		1
26	BE0327	533836701	M8 rubber washer		4



Fig. 4.2

From serialnumber 28779B & up

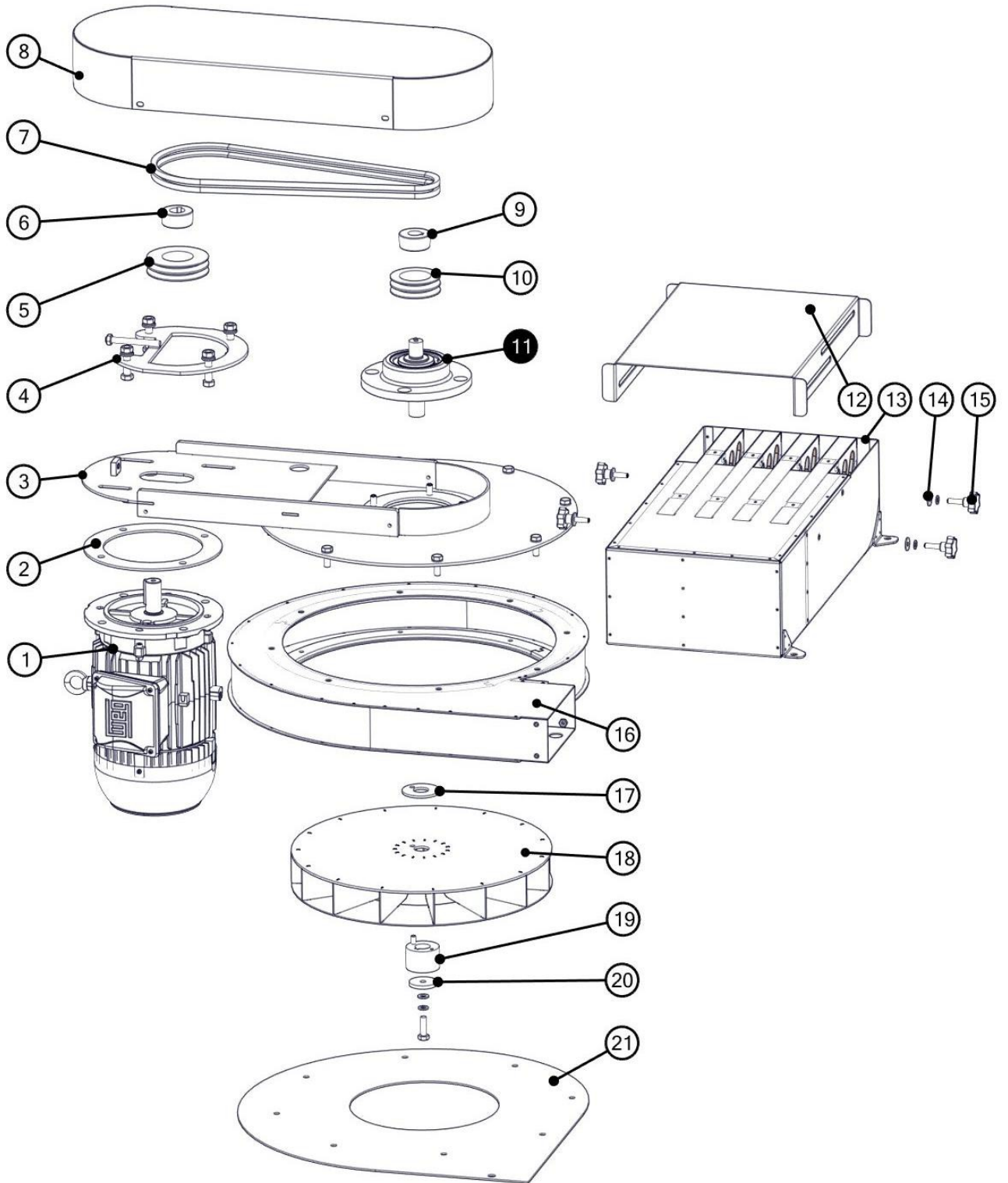
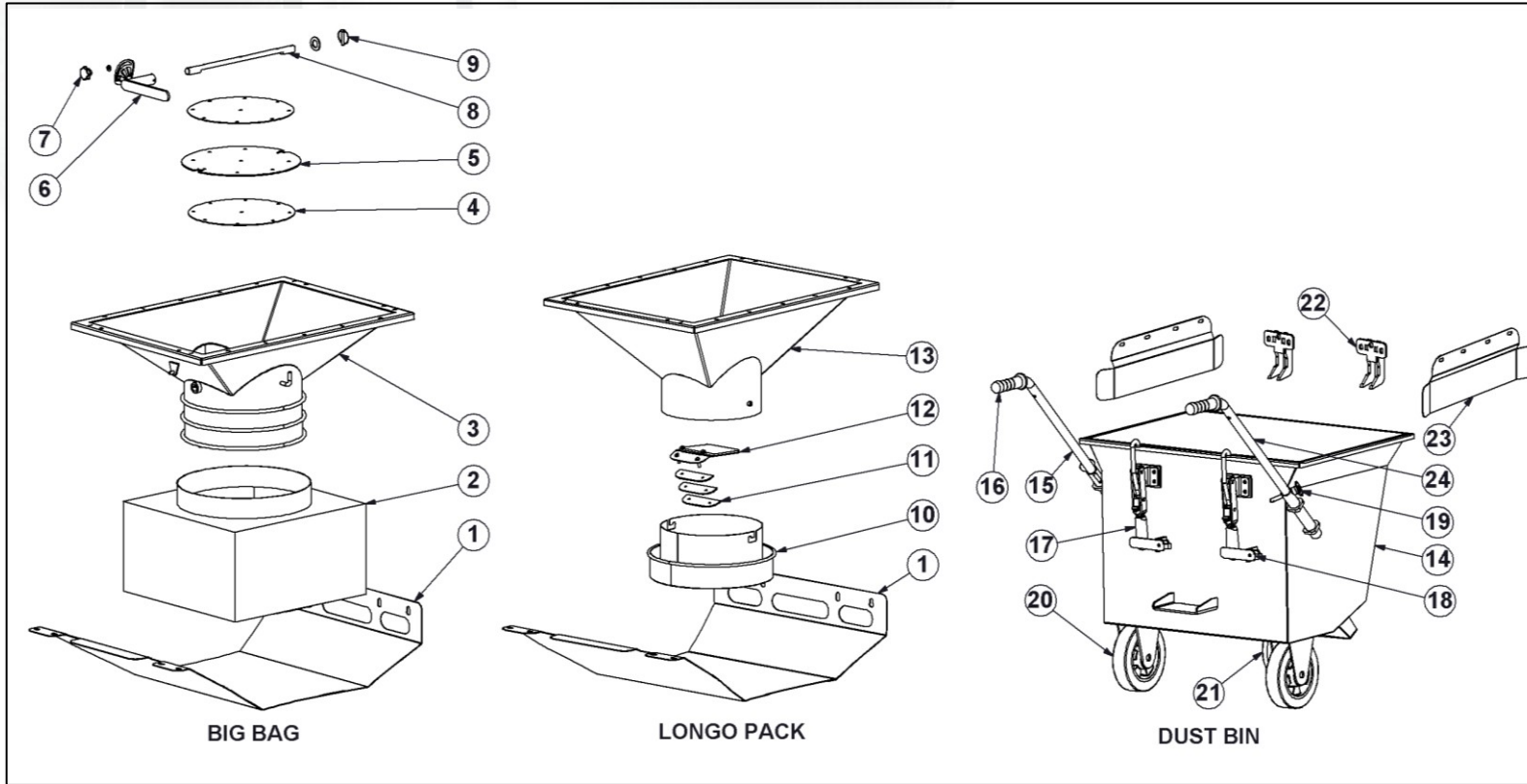




Fig. 4.2

From serialnumber 28779B & up

Item	Blastrac PN	HQV PN	Description	Remarks	Qty.
1	E06118-IE3	534053601	Motor 7,5kW		1
	E06118-IE3/EX	534550701	ATEX motor 7.5kW		1
2	E07069	533617701	Fill up ring fan motor		1
3	E07059	533480701	Motor mounting bracket		1
4	E07067	533162601	Tension plate		1
5	E07278	533719001	Motor pulley	50Hz	1
	E10595	534324101	Motor pulley	60Hz	1
6	976657	533868101	Motor taperlock		1
7	E06131	533960501	V-belt		2
8	E07070	533157101	Belt guard		1
9	222-2301-V	531490901	Fan taperlock		1
10	DG14	531490201	Fan pulley	50Hz	1
	E07278	533719001	Fan pulley	60Hz	1
11	E13907	533779301	BU fan unit (set)		1
12	E09769	533474601	Silencer top cover		1
13	E09770	533284301	Silencer		1
14	BE0327	533836701	M8 rubber washer		4
15	BE0577	534046801	Turning knob M8x30		4
16	E06989	533455501	Fan housing		1
17	E14095	534574901	Fill up washer		1
18	E06954	533463101	Fan impeller type 1		1
19	E06965	533150701	Fan hub		1
20	E03195	533037101	Ring fan		1
21	E09771	533270801	Distance plate		1
22					
23					
24					
25					
26					



27. Big bag kit BDC99 complete

26. Longopac kit BDC99 complete

25. Dust bin kit BDC66/99 complete

Fig. 05





Fig. 05

Item	Blastrac PN	HQV PN	Description	Qty.
1	E09920	534361601	Bottom plate	1
2	E06311	533960701	Dust bag 70ltr	1
	E09418	534026201	Dust bag 145ltr	1
3	E09788	533276901	Big bag adapter	1
4	E04623	533136601	Valve plate	2
5	E04624	533559601	Rubber plate valve	1
6	E09789	533191601	Valve handle	1
7	000213	533656201	Clamp knob M8	1
8	E04622	533115501	Valve axle	1
9	BE0630	533101401	Linch pin 6mm	1
10	E07655	533538201	Longo pack - bag bracket	1
11	E08500	533136501	Valve weight	3
12	E07654	533171901	Longo pack valve	1
13	E09786	535208901	Longo pack	1
14	E09783	533239401	Dust bin	1
15	E09784	533206001	Handle LH	1
16	453290	534612901	Handle grip	2
17	466450	-	Clamp	2
18	E09785	535168601	Dust bin lock plate	2
19	E06934	533534801	Quick release pin	2
20	E08776	533863101	Wheel	2
21	E09327	533740201	Swivel wheel	1
22	E09782	533396001	Dust bin bracket	2
23	E09884	533385801	Protection plate	2
24	E11174	533235501	Handle RH	1
25	E09573	533489501	Dust bin kit BDC66/99 complete	1
26	E09617	534081601	Longopac kit BDC99 complete	1
27	E09616	533887101	Big bag kit BDC99 complete	1



Fig. 06 (Option)

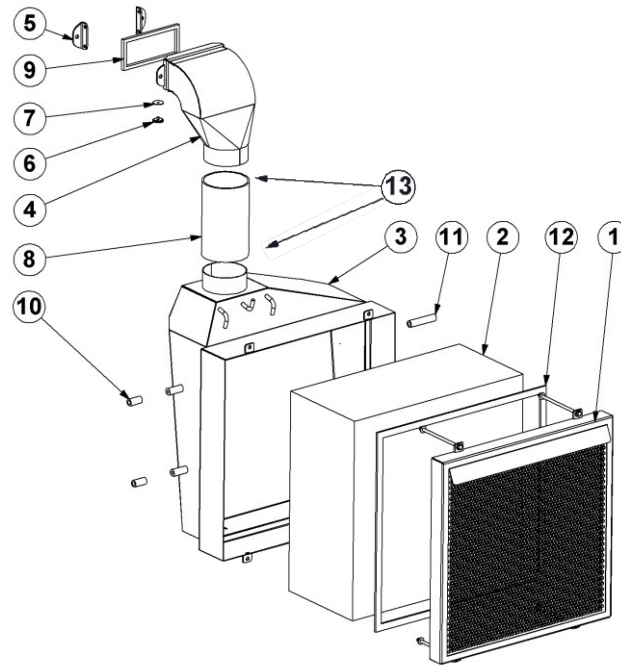
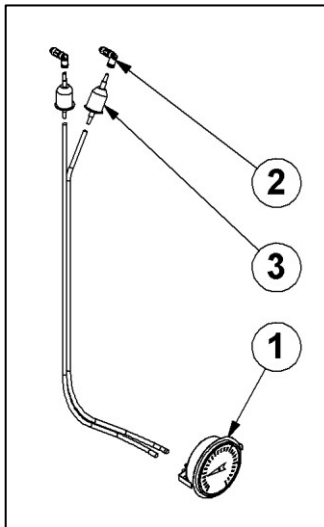


Fig. 06

Item	Blastrac PN	HQV PN	Description	Qty.
1	E09793	531493901	Front cover	1
2	E09795	534008001	Hepa filter class H14	1
3	E09792	535193101	Back cover	1
4	E09794	533186901	Adapter	1
5	E11000	533155201	Bracket	2
6	E11001	533297301	Hole plug	1
7	E11002	533120001	Plate	1
8	001112	535710701	Hose Ø150	0,17m
9	E11003	533625001	Adhesive rubber seal 10x10	0,55m
10	E09918	535193601	Distance	2
11	E09919	535193701	Distance	2
12	E00689	533022401	Adhesive rubber seal 20x5	2,4m
13	001109	534628701	Hose clamp 130-160mm	2
1-13	E09917	534515301	HEPA filter system complete H14 for BDC-66 & BDC-99	1



Fig. 07 (Option)



Diff. Vacuum gauge kit BDC66 & BDC99

Fig. 07

Item	Blastrac PN	HQV PN	Description	Qty.
1	491837	534775201	Difference pressure measure	1
2	E11039	534564501	Elbow male adaptor	2
3	2381-365	533529701	Filter vacuum gauge	2
4	E00441	534787701	PVC hose 9x6mm clear	2m
1-4	E11051	534044001	Diff. Vacuum gauge kit BDC66 & BDC99	1



BLASTRAC EUROPE

WE'RE READY TO ASSIST YOU!

BLASTRAC THE NETHERLANDS

EUROPEAN HEAD OFFICE

Utrechthaven 12
NL - 3433 PN Nieuwegein
Tel.: +31 (0)30 601 88 66
Fax: +31 (0)30 601 83 33
Email: info@blastrac.nl
WWW.BLASTRAC.EU

BLASTRAC POLAND

SALES & SERVICE CENTRE

Golina, ul. Dworcowa 47E
63-200 Jarocin
Tel.: +48 (0)62 740-41-50
Fax: +48(0)62 740-41-51
Email: info@blastrac.pl
WWW.BLASTRAC.PL

BLASTRAC FRANCE

SALES & SERVICE CENTRE

ZI - 29, Av. des Temps Modernes
F - 86360 Chasseneuil du Poitou
Tel.: +33 (0)5 49 00 49 20
Fax: +33 (0)5 49 00 49 21
Email: info@blastrac.fr
WWW.BLASTRAC.FR

BLASTRAC ITALY

SALES & SERVICE CENTRE

S.S. 10 Padana Inferiore, 41
IT - 29012 Caorso (PC)
Tel.: +39 0523 814241
Fax: +39 0523 814245
Email: info@blastrac.it
WWW.BLASTRAC.IT

BLASTRAC GERMANY

SALES & SERVICE CENTRE

Richard-Byrd-Str. 15
50829 Köln
Tel.: +49 (0) 221 709032-0
Fax: +49 (0) 221 709032-22
Email: info@blastrac.de
WWW.BLASTRAC.DE

BLASTRAC UKRAINE

SALES & SERVICE CENTRE

Nezalezhnosti 14, of. 21
07400 Brovary
Tel.: +38 (0)44 222 51 28
Fax: +38 (0)44 277 98 29
Email: info@blastrac.com.ua
WWW.BLASTRAC.COM.UA

BLASTRAC SPAIN

SALES & SERVICE CENTRE

Calle del Estfo, 9
E - 28500
Arganda del Rey, Madrid
Tel.: +34 91 660 10 65
Fax: +34 91 672 72 11
Email: info@blastrac.es
WWW.BLASTRAC.ES

BLASTRAC UNITED KINGDOM

SALES & SERVICE CENTRE

Unit 2a, Outgang Lane, Dinnington
Sheffield, South Yorkshire
GB - S25 3QU
Tel.: +44 (0) 1909 / 569 118
Fax: + 44 (0) 1909 / 567 570
Email: info@blastrac.co.uk
WWW.BLASTRAC.CO.UK

BLASTRAC MIDDLE EAST

SALES & SERVICE CENTRE

P.O. box 29424
Dubai / United Arab Emirates
Tel.: +971 4 3245760
Fax: +971 4 3245761
Email: info@blastracdx.ae
WWW.BLASTRAC.AE

BLASTRAC NORDIC

SALES & SERVICE CENTRE

Lekstorps Industriväg 13D,
443 41, Gråbo
Sweden
Tel.: +46 (0) 31 30 333 55
Email: info@blastrac.se
WWW.BLASTRAC.SE

BLASTRAC INDIA

SALES & SERVICE CENTRE

G.B. Warehousing, GAT NO- 523,
Pune- Nagar Road, Wagholi
Pune- 412 207
Tel.: +91 99213 98109
Email: info.blastrac.in
WWW.BLASTRAC.IN