



SERVICE MANUAL BDC-655 ATEX

VERSION 1.1

**Maintenance log**

Date	Findings	Repair / Cleaning	Test on	By*

*competent person



Index

1. Spare parts

04

Contact



1. Spare parts

Fig. 01

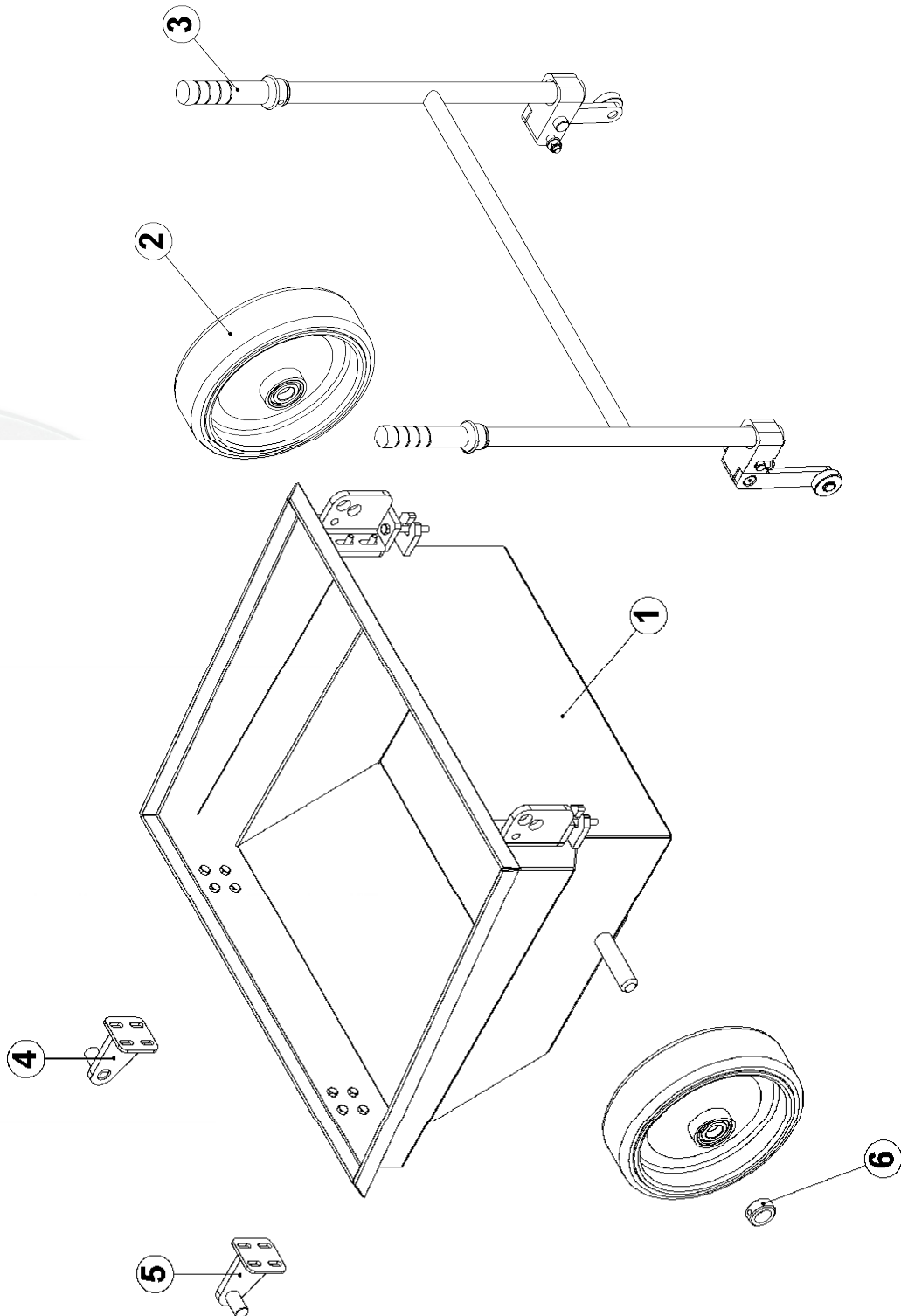


Fig. 01

Item	Blastrac PN	HQV PN	Description	Qty.
1	E03012	533015501	Dust bin	1
2	B20969	533959101	Wheel	2
3	E00890	533043701	Handle complete	1
4	E03013	534540701	Dust bin holder left	1
5	E03014	534540801	Dust bin holder right	1
6	E03747	533903901	Adjusting ring with screw	2



Fig. 02

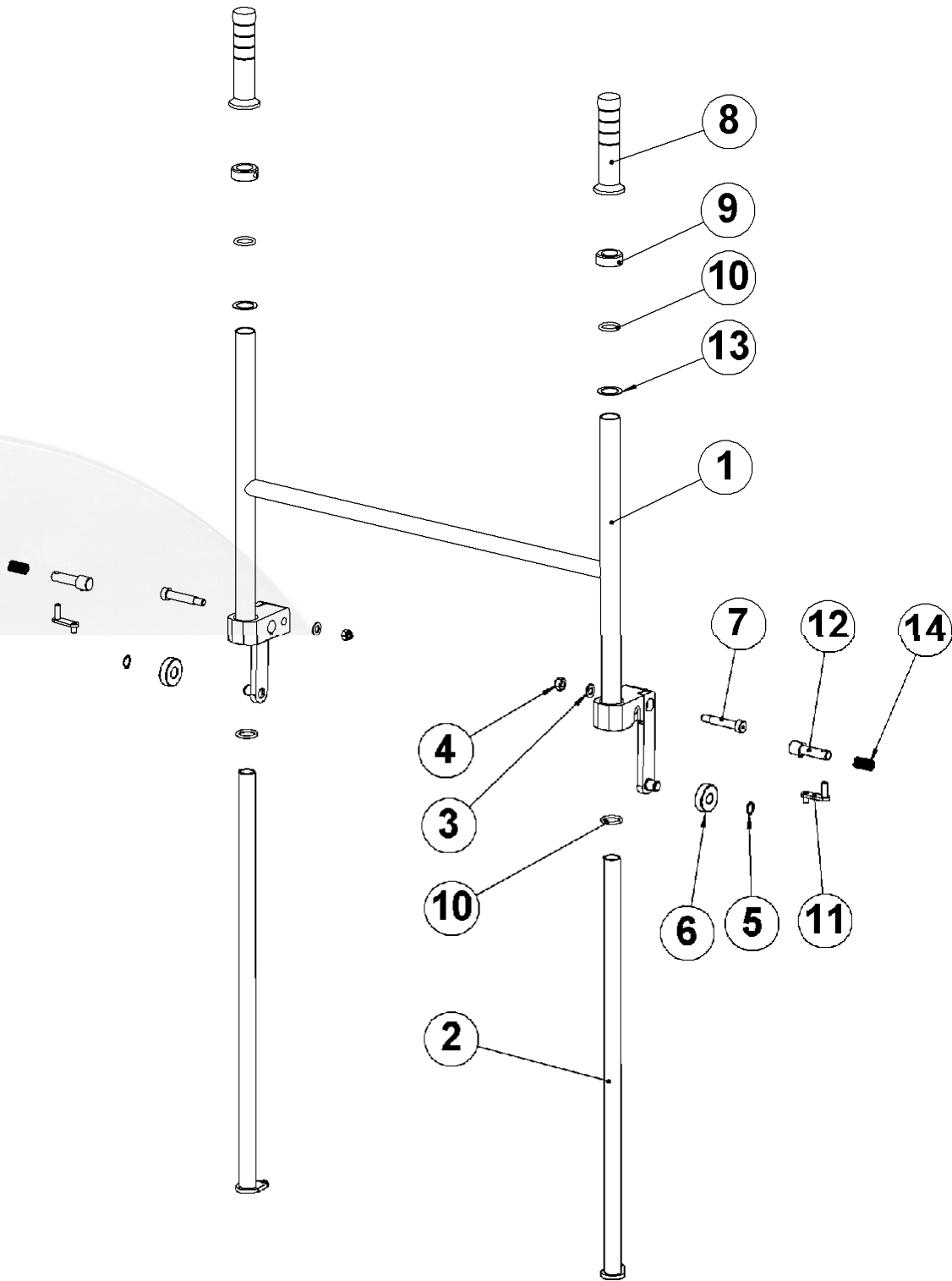


Fig. 02

Item	Blastrac PN	HQV PN	Description	Qty.
1	E00891	534616501	Handle	1
2	E00895	534643101	Inner handle	2
3			M10 washer	2
4			M10 plastic insert nut	2
5			Circlip DIN 471 – 15 x 1	2
6	E01304	531479301	Ball bearing	2
7	E03113	534676401	Bolt	2
8	453290	534612901	Handle grip	2
9	E03747	533903901	Adjusting ring with screw	2
10	E03081	534737601	O-ring	4
11	E00896	534299901	Arm for locking pin	2
12	E00897	534680401	Locking pin	2
13			Shim 26x37x1	2
14	E03072	534868401	Spring	2

Fig. 03

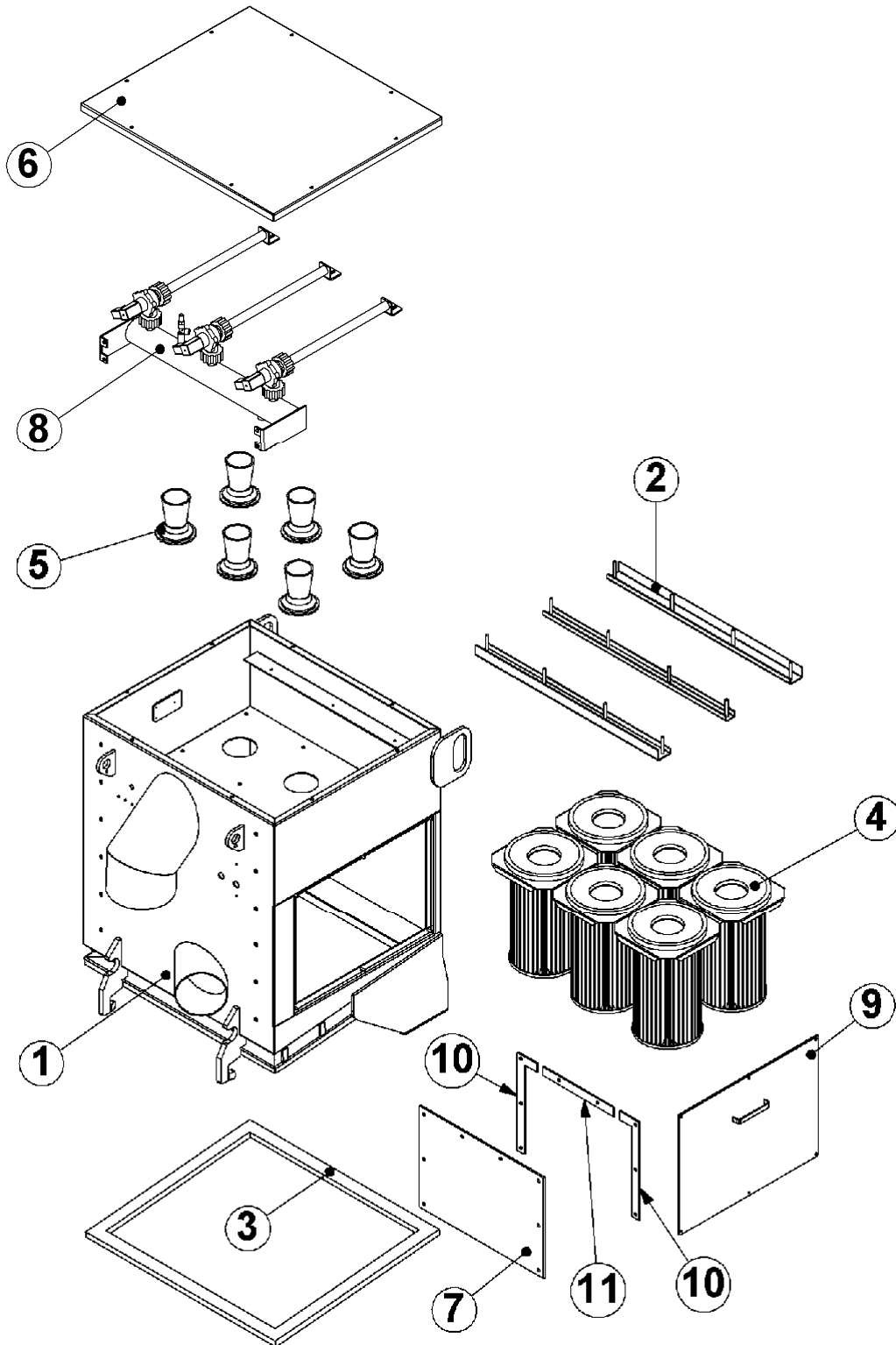
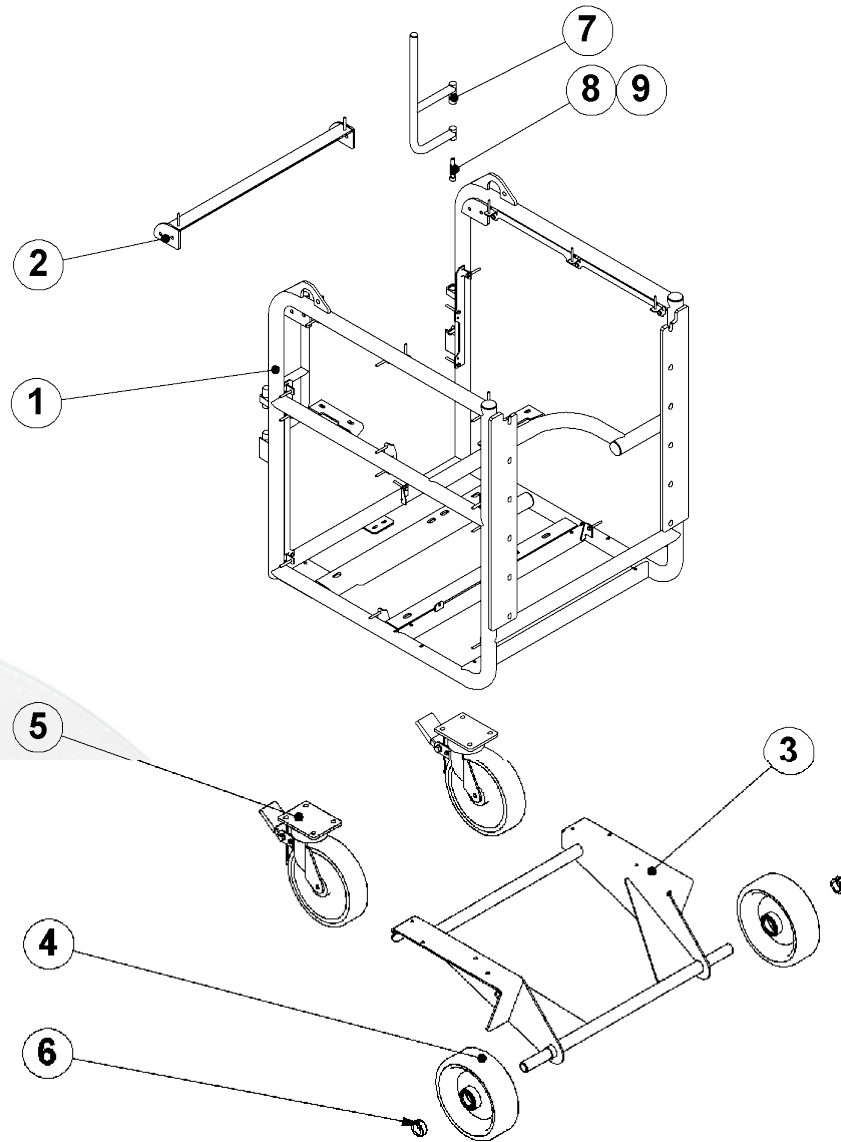


Fig. 03

Item	Blastrac PN	HQV PN	Description	Qty.
1	E03015	535178301	Filter body	1
2	E03016	533642701	Cartridge lifter system	1
3	E01309	533914901	Seal	3 mtr
4	E10600	533969201	Cartridge	6
5	E14028	533281101	Venturi	6
6	E03020	535156301	Cover plate	1
7	E00881	533204701	Rubber impact plate	1
8	E03031	-	Pulse system complete	1
9	E03018	531475101	Side door	1
10	E03842	535249401	Strip reinf. Vert.	2
11	E03843	535249301	Strip reinf. Hor.	1

Fig. 04



Item	Blastrac PN	HQV PN	Description	Qty.
1	E03063	535258501	Tube frame	1
2	E03067	535248601	Stiffener beam	1
3	E10407	535183501	Front axis device unit	1
4	E10202	531463301	Wheel	2
5	E10207	533953401	Swivel castor with brake	2
6	E03748	533906501	Adjusting ring with screw	2
7	E03082	535145801	Cable support	2
8	E03119	534868501	Spring	2
9			M10x60 hex. Socket head cap	2

Fig. 05

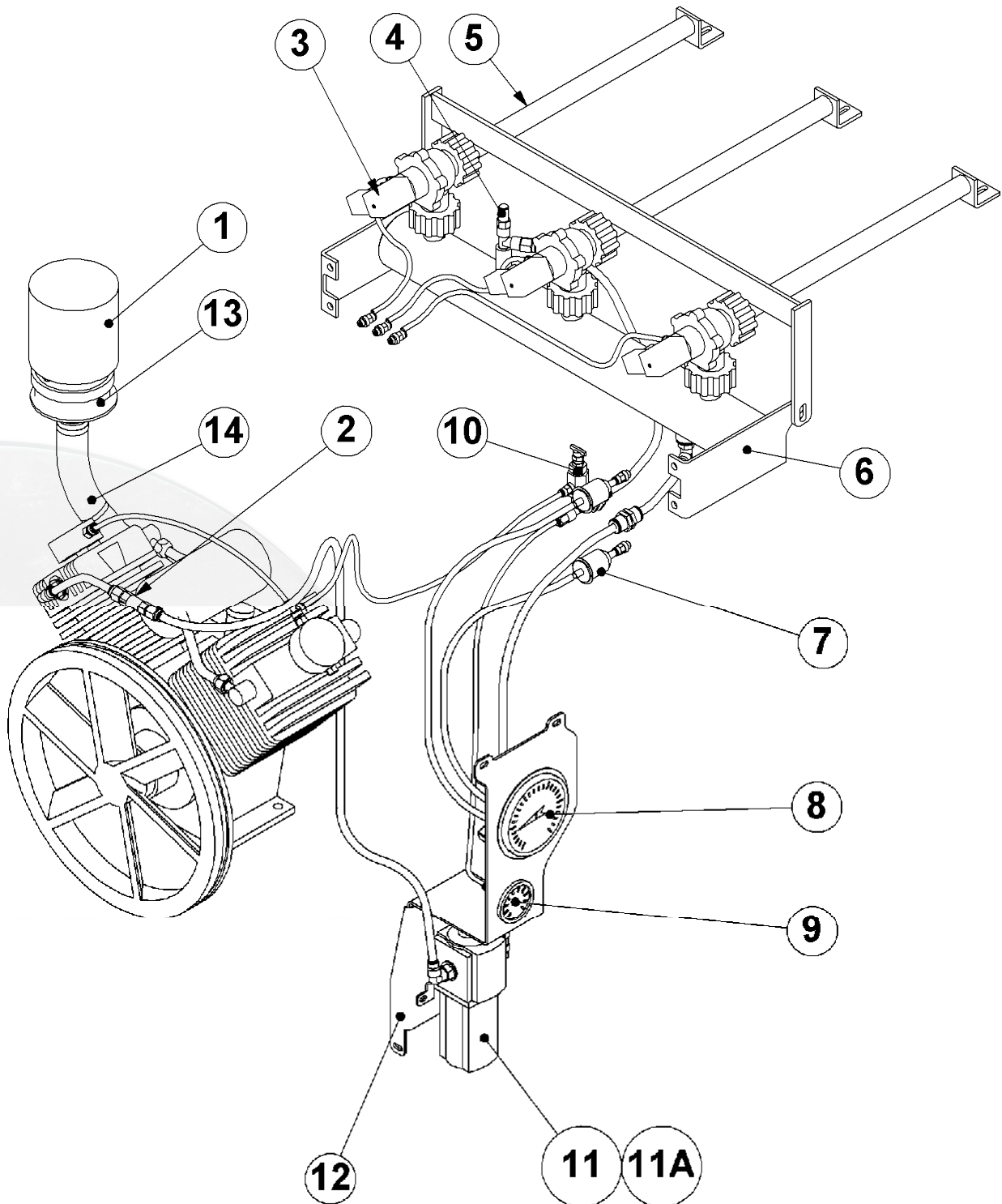


Fig. 05

Item	Blastrac PN	HQV PN	Description	Qty.
1	E03815	534401201	Air filter	1
2	B21750	533730501	Non return valve	1
3	E01300	533624801	Air valve	3
4	E01303	533256701	Safety valve	1
5	E03033	531482001	Pulse tube	3
6	E03032	533077301	Tank pulse system	1
7	2381-365	533529701	Filter vacuum gauge	2
8	491837	534775201	Vacuum gauge	1
9	E10349	533823401	Manometer	1
10	490691	534411701	Control valve compressor	1
11	E00635	533721201	Water separator	1
11A	E00635/1	533639401	Filter element for water separator	1
12	E03075	535215001	Mount plate	1
13	E03816	534575501	Filter adaptor	1
14	E01563	534294801	Air suction hose	1

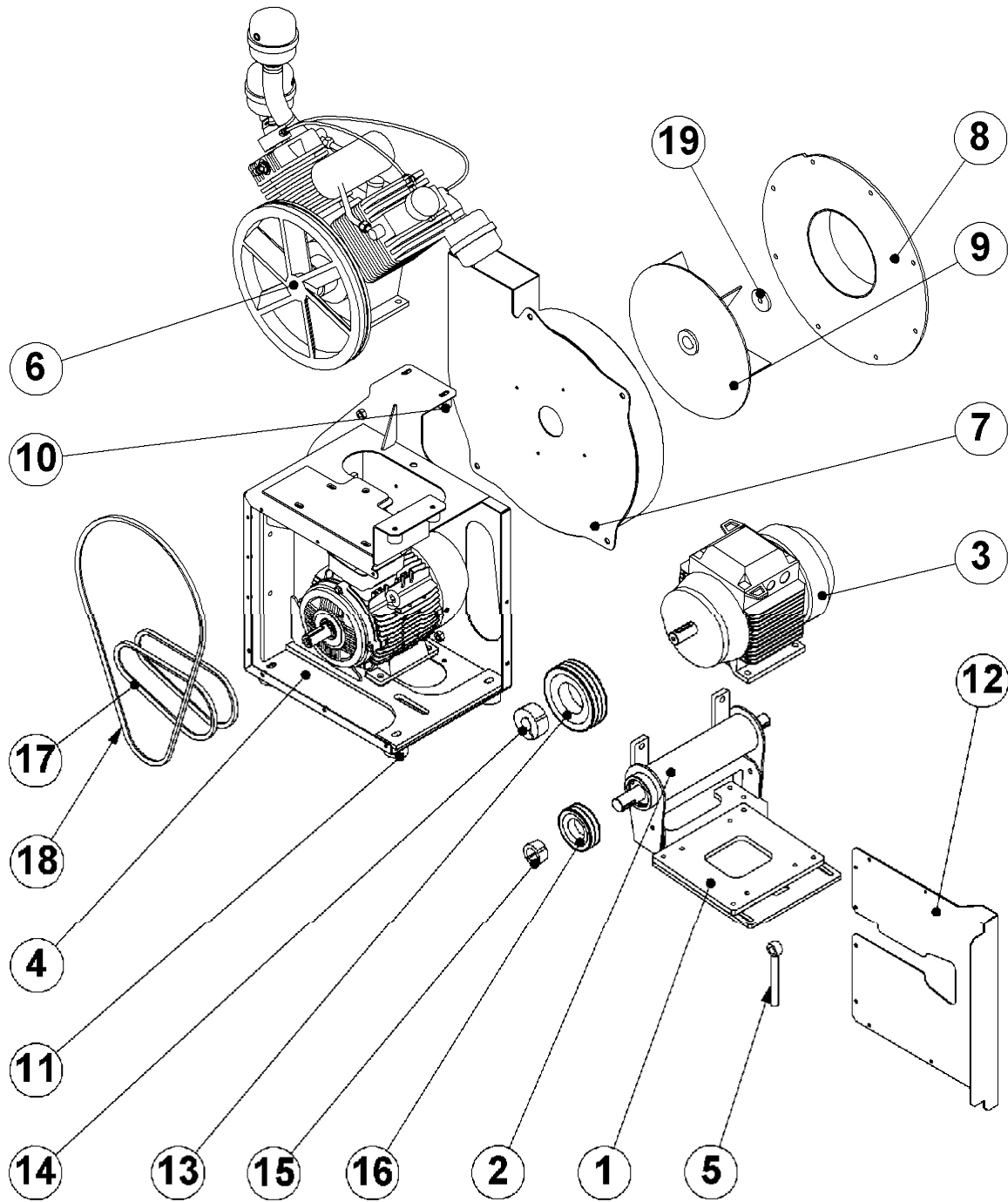
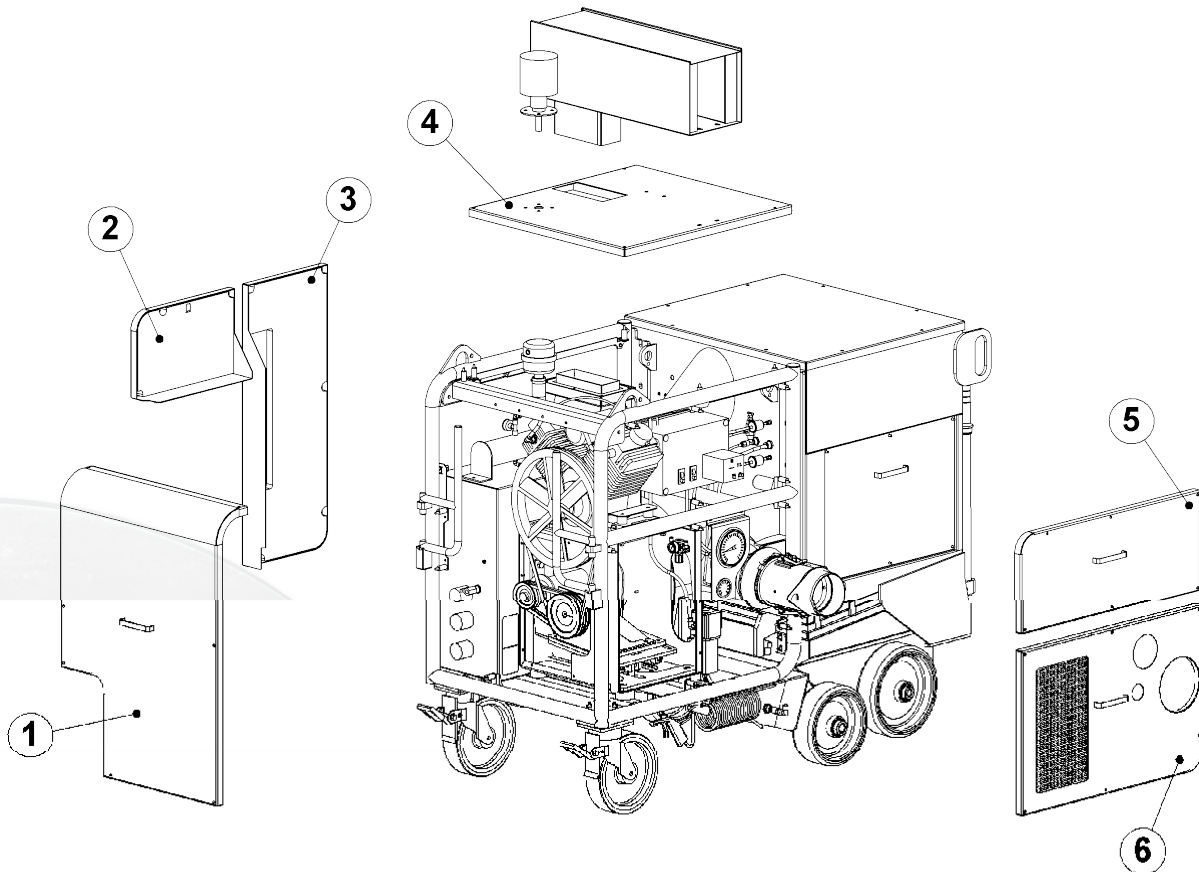


Fig. 06

Fig. 06

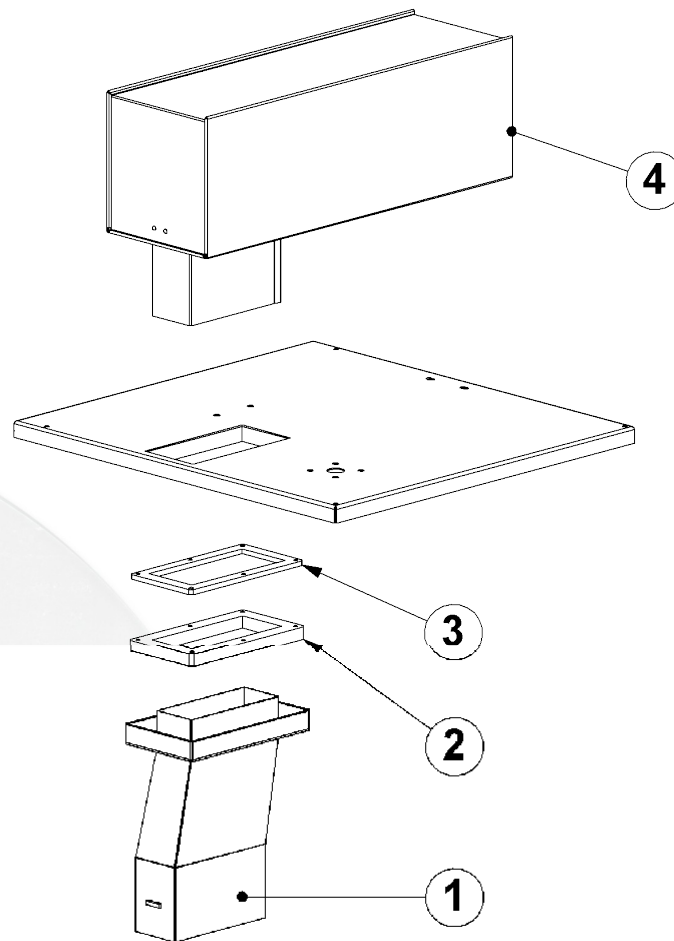
Item	Blastrac PN	HQV PN	Description	Qty.
1	E03069	-	Hinge plate assy	1
2	E00999	533574501	Bearing unit complete	1
3	E10213-EX	-	Motor 5.5 kW (ATEX)	1
4	E03071	531864101	Motor housing	1
5			M16x140 eye bolt	1
6	490693	535712201	Compressor	1
7	E03142	531494701	Fan housing	1
8	E03150	531477401	Fan cover	1
9	493399	534335401	Fan impeller	1
10	E10422	534836201	Shock absorber	4
11	E10418	534836501	Shock absorber	4
12	E03077	535228401	Protection plate	1
13	E10413	534324001	Belt pulley 50Hz	1
	E00275	-	Belt pulley 60Hz	1
14	E10415	533894401	Taper lock bush	1
15	B22078	534891101	Taper lock bush	1
16	DG14	531490201	Belt pulley	1
17	E03103	533115101	V-belt	2
18	E03102	533492301	V-belt	1
19	E03195	533037101	Ring fan	1

Fig. 07



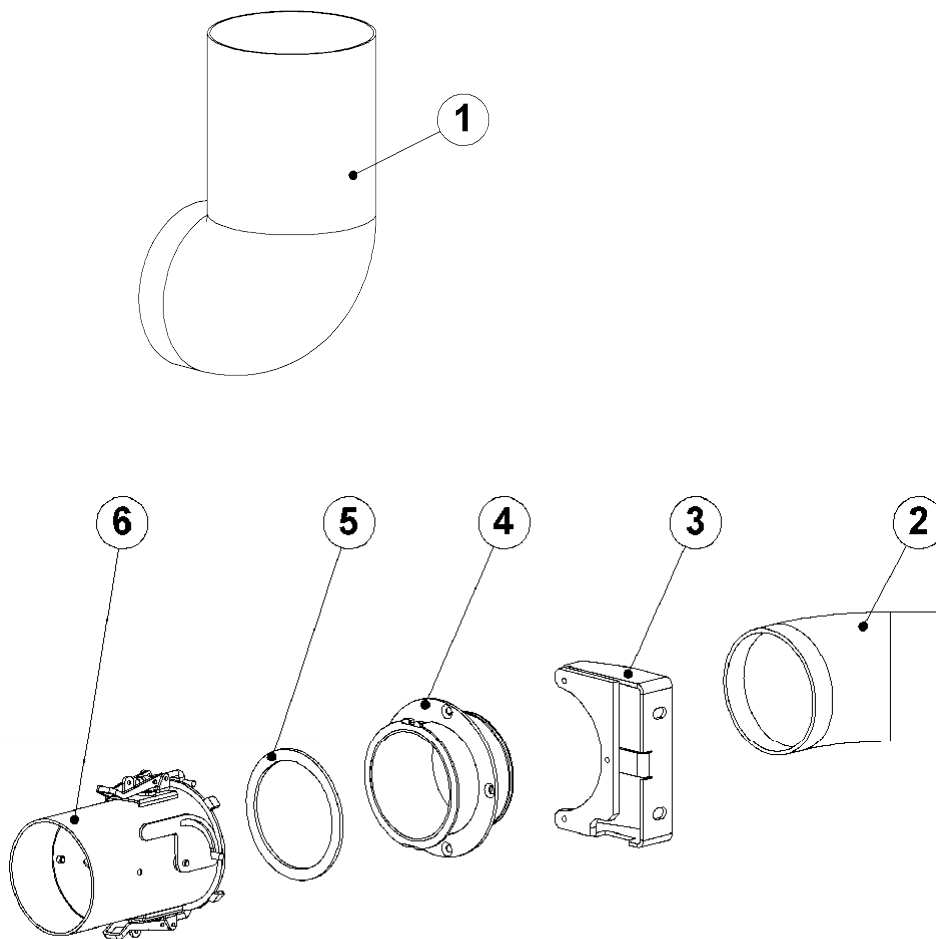
Item	Blastrac PN	HQV PN	Description	Qty.
1	E03085 hydraulic	533289901	Panel compressor complete	1
2	E03093	-	Panel box cover complete	1
3	E03094	-	Panel right complete	1
4	E03853	-	Panel top complete	1
5	E03098	-	Panel left upper complete	1
6	E03097	533290001	Panel left lower complete	1

Fig. 08



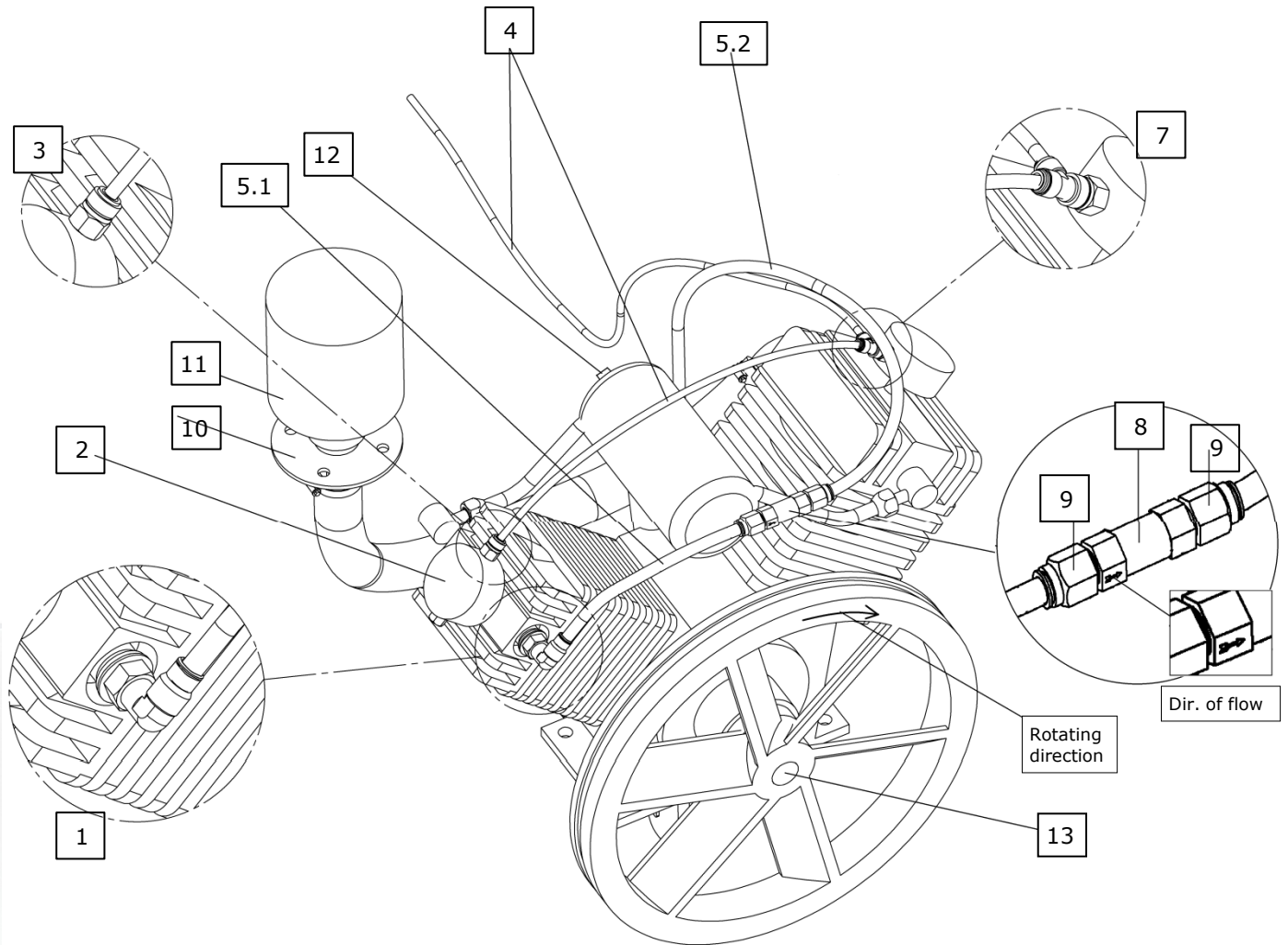
Item	Blastrac PN	HQV PN	Description	Qty.
1	E03801	535027801	Adaptor	1
2	E03795	534823901	Seal plate rubber	1
3	E03794	535228001	Press plate	1
4	492425	534849501	Silencer	1

Fig. 09



Item	Blastrac PN	HQV PN	Description	Qty.
1	490706	534784701	Connection hose 200 L=600	1
2	E03128	533734901	Connection hose 1510 L=250	1
3	E03084	534404601	Connection support	1
4	E03798	534404201	Connection part	1
5	E03874	534262301	Adapter seal	1
6	E03797	531480101	Valve complete Ø150 - Ø130	1

Fig. 10



Item	Blastrac PN	HQV PN	Description	Qty.
1	E05058	533581401	Knee coupling	1
2	E00638	533392201	Head unloader only (1 set of 2)	2
3	E00669/COMPRESSOR	533922001	PA-hose adapter	1
4	E00473	534784601	PU hose 6x4mm Blue	
5.1	E00579	-	PTFE hose 10x8mm	
5.2	E00474	534056101	PU hose 10x6.5mm Blue	
6	-	-	-	-
7	E08179	533687501	T-coupling	1
8	B21750	533730501	Non return valve	1
9	E00674	533884801	Adaptor for hose connection	2
10	E03816	534575501	Filter adaptor	1
11	E03815	534401201	Compressor filter	1
12	E05143	534922501	Safety valve	1
13	E00306/NUT	-	Nut for compressor	1
	E00498	533029901	Compressor oil	0.5L



Headquarter

Blastrac The Netherlands

Utrechthaven 12
 NL – 3433 PN Nieuwegein
 Tel – 0031 30 601 88 66
 Fax – 0031 30 601 83 33
 Info@blastrac.nl

Blastrac United Kingdom

Unit 2, Outgang Lane, Dinnington
 Sheffield, South Yorkshire
 GB – S25 3QY, England
 Tel – 0044 1909 56 91 18
 Fax – 0044 1909 56 75 70
 Info@blastrac.co.uk

Blastrac France (ZI)

29, Avenue des Temps Modernes
 F – 86360 Chasseneuil du Poitou
 Tel – 0033 549 00 49 20
 Fax – 0033 549 00 49 21
 Info@blastrac.fr

Blastrac Poland

Golina, Dworcowa 47a
 PL – 63-200 Jarocin
 Tel – 0048 627 40 41 50
 Fax – 0048 627 40 41 51
 Info@blastrac.pl

Blastrac Germany

Richard Byrd Straße 15
 D – 50829 Köln (Ossendorf)
 Tel – 0049 221 70 90 32 0
 Fax – 0049 221 70 90 32 22
 Info@blastrac.de

Blastrac Italy

S.S. 10 Padana Inferiore, 41
 IT – 29012 Caorso (PC)
 Tel – 0039 0523 81 42 41
 Fax – 0039 0523 81 42 45
 Info@blastra.it

Blastrac Spain

Calle Copernico, 16
 Nave 2
 E – 28820 Coslada
 Tel – 0034 91 660 10 65
 Fax – 0034 91 672 72 11
 Info@blastrac.com.es

Blastrac Ukraine

Nezalezhnosti 14, of. 21
 UA – 07400 Brovary
 Tel – 0038 44 222 51 28
 Fax – 0038 44 277 98 29
 Info@blastrac.com.ua