

SERVICE MANUAL BMP-215 E/B

VERSION 3.0



Inspection comments

Inspection before initial operation on:	_____
By:	_____
Date of initial operation:	_____
Serial number & Year of manufacture:	_____

Recurring inspections / maintenance log

Date / Hour counter	Findings	Repairs / Cleaning	Test on	By*

*Competent person



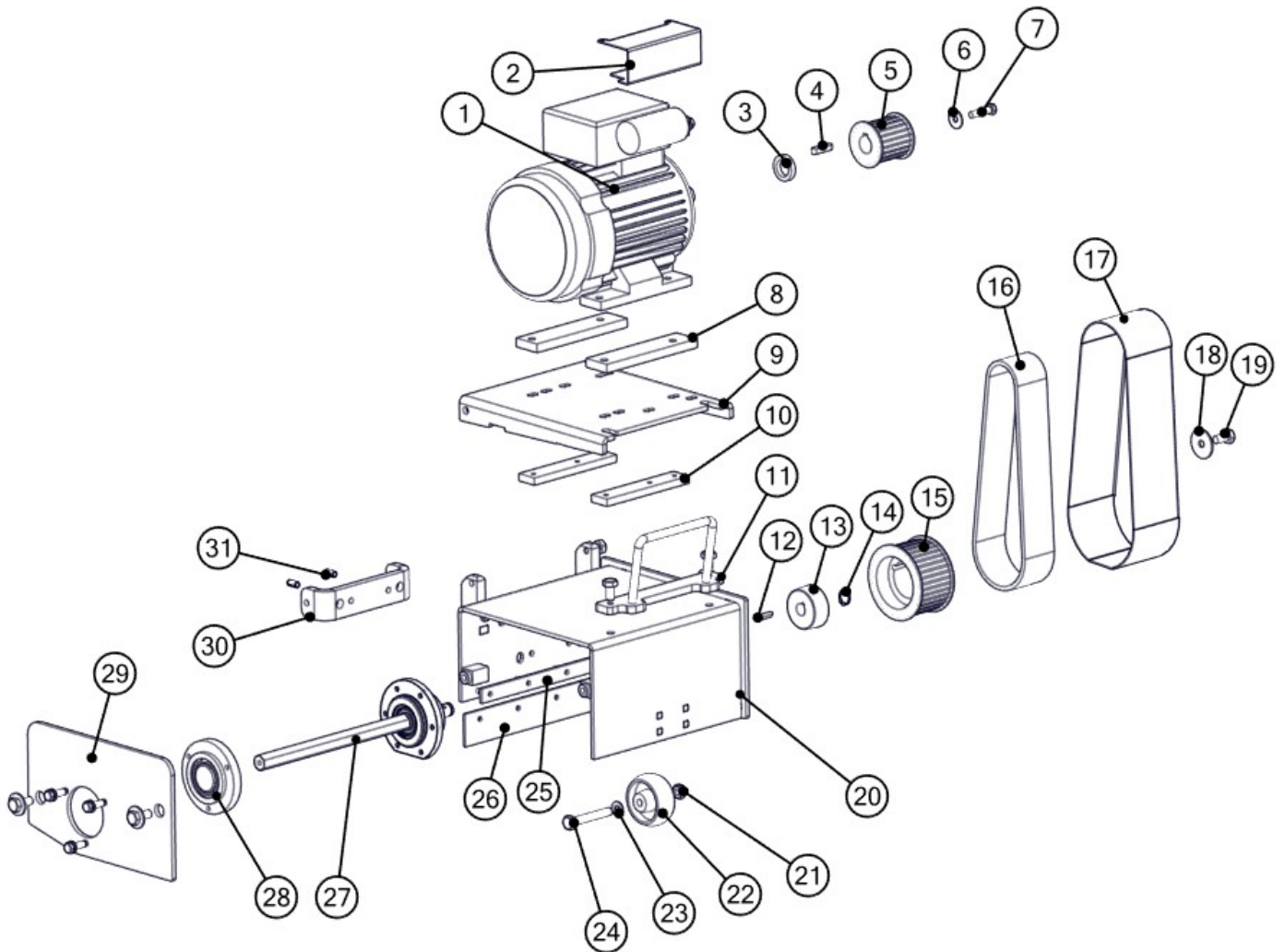
Index

1. Spare parts	04
2. Assembly plans	16
3. Electric schedules	19
Contact	



1. Spare parts

1.1 Scarifying head BMP-215E

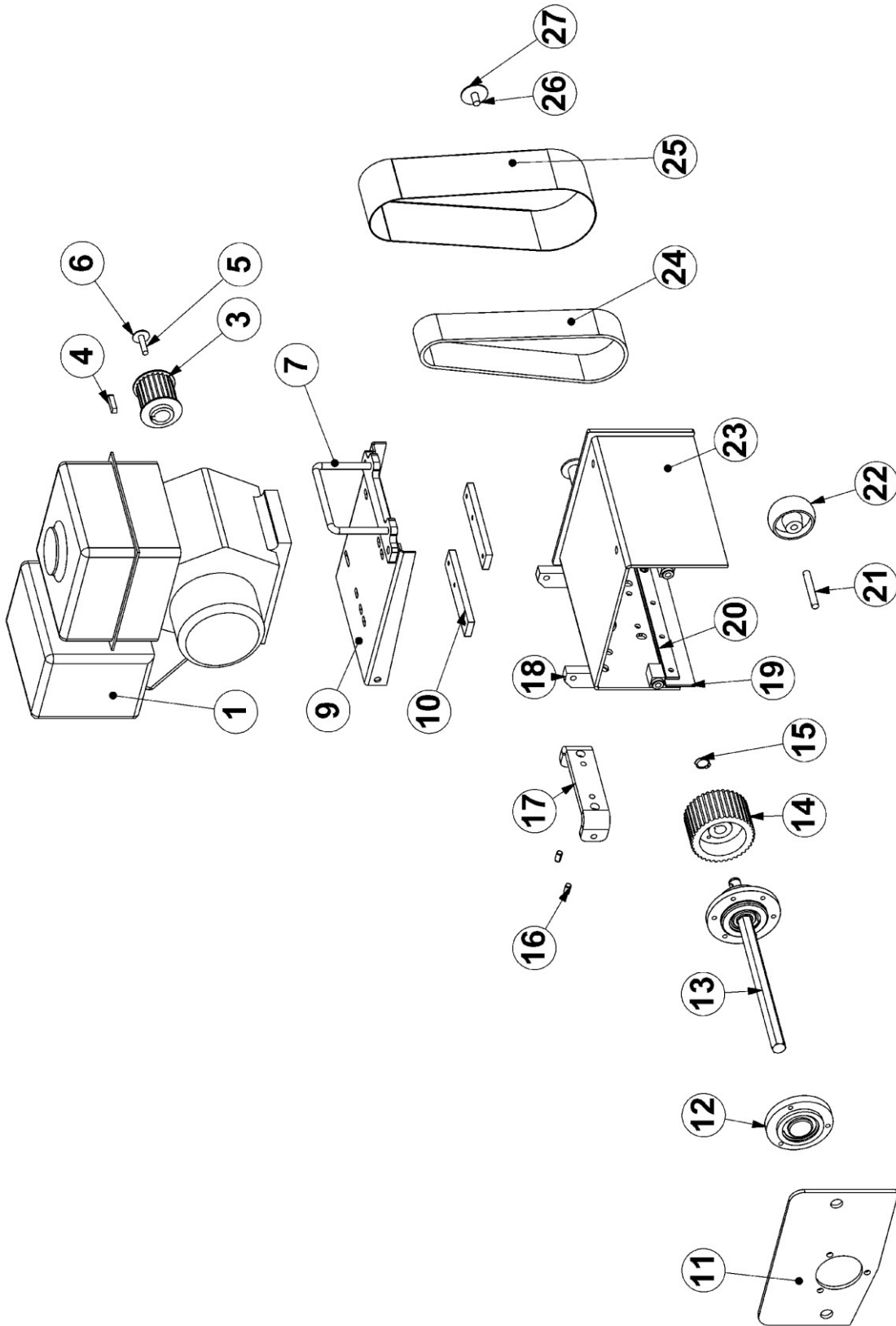




1.1 Scarifying head BMP-215E

Item	Blastrac PN	HQV PN	Description	Qty.
1	E03476	534551201	Electro motor BMP-215E 230V/50Hz	1
	E04030	534550901	Electro motor BMP-215E 110V/50Hz	1
	E03485-IE3	534551301	Electro motor BMP-215E 400V	1
2	E11396	535220001	Capacitor cover	1
3	E03477	534863201	Spacer ring	1
4	BE0258	533843901	Parallel key 8x7x35	1
5	E03478	533143501	Top pulley	1
6	E03897	535898501	M8 washer Ø35	1
7	BE0205	-	M8x35 bolt	1
8	E03431	535260801	Clamping bar	2
9	E03424	534715101	Motor base plate	1
10	E03430	534392701	Clamping bar	2
11	E03432	534616601	Handle	1
12	BE0055	534742501	Key 5x5x25	1
13	E12148	534889901	Taperlock bush	1
14	MP04054	533107201	Circlip Ø17	1
15	E04520	534790901	Bottom pulley	1
16	E03479	533911901	Belt	1
17	E11294	534322401	Belt guard	1
18	BE0062	534064101	M10 washer Ø30	1
19	BE0442	-	M10x20 bolt	1
20	E03422	535218901	Housing	1
21			M10 Locking nut	1
22	E03462	534945301	Wheel	1
23			M10 Washer	2
24	E03463	534302701	Axle	1
25	E03426	534392501	Clamping bar	1
26	E03425	534814601	Rubber gasket	1
27	E03453-1	533683601	BU complete	1
28	E03459	533877001	BU complete	1
29	E03423	534841501	Side plate only	1
30	E03429	534937401	Wheel balance holder	1
31	BE0729	534372301	Spring type straight pin Ø8x16	2

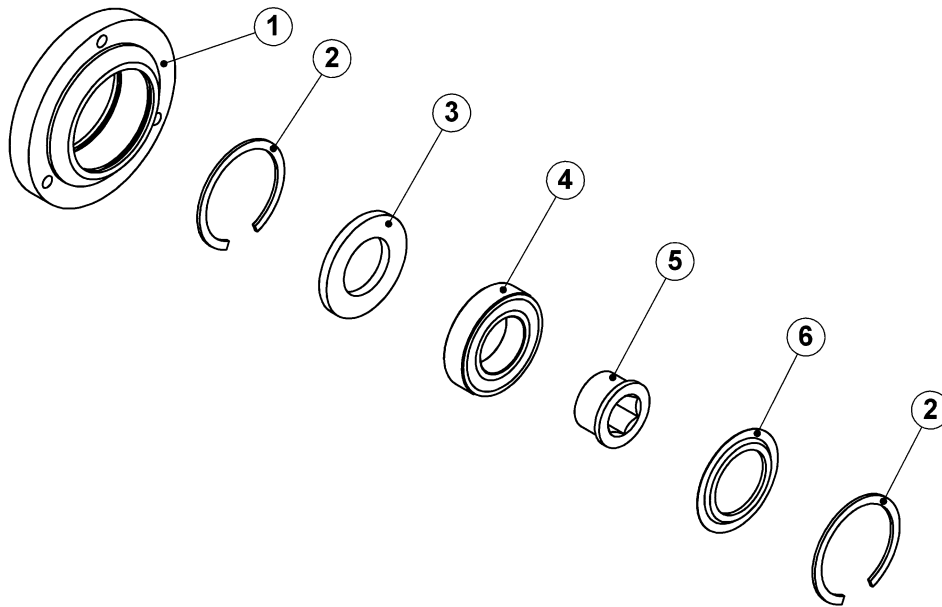
1.2 Scarifying head BMP-215B



1.2 Scarifying head BMP-215B

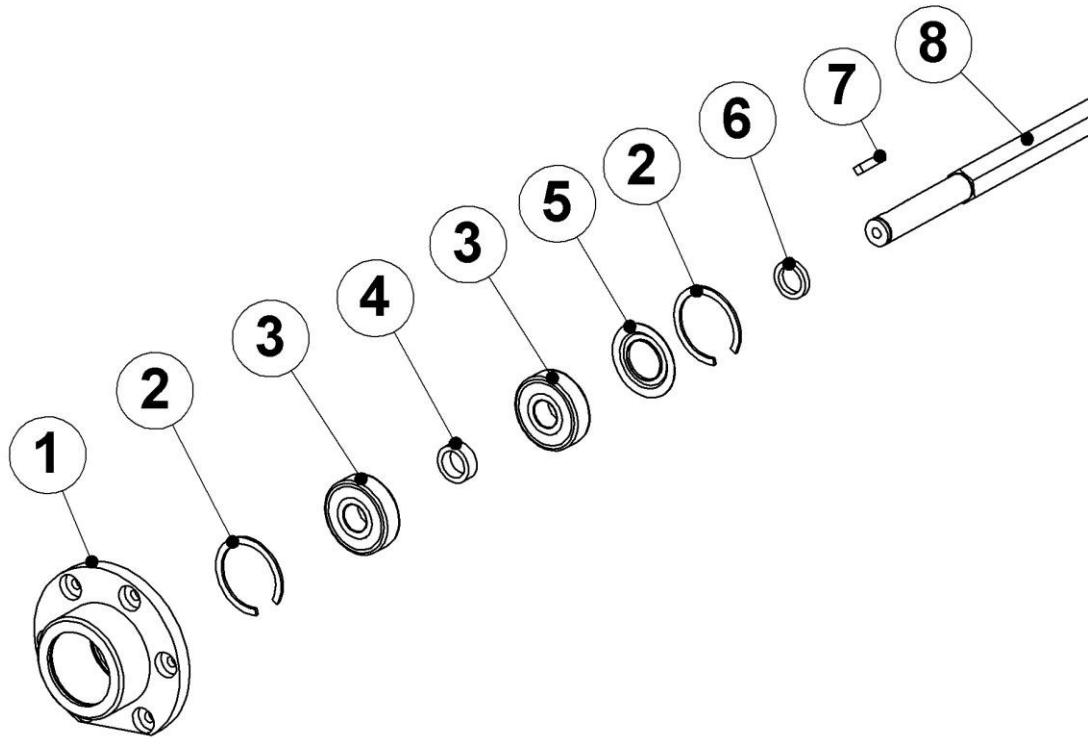
Item	Blastrac PN	HQV PN	Description	Qty.
1	E04560	534626001	Honda petrol engine	1
3	E03980	533162201	Top pulley	1
4	E10492	534757001	Parallel key	1
5	BE0710	534252801	5/16 x 1.1/4 hexagon bolt	1
6	BE0315	534695401	M8 washer Ø35	1
7	E03432	534616601	Handle	1
9	E03424	534715101	Motor base plate	1
10	E03430	534392701	Clamping bar	2
11	E03423	534841501	Side plate only	1
12	E03459	533877001	BU complete	1
13	E03453-1	533683601	BU complete	1
14	E03464	533202501	Bottom pulley	1
15	MP04054	533107201	Circlip Ø17	1
16	BE0729	534372301	Spring type straight pin Ø8x16	2
17	E03429	534937401	Wheel balance holder	1
18	E03428	535195601	Hinge plate	2
19	E03425	534814601	Rubber gasket	1
20	E03426	534392501	Clamping bar	1
21	E03463	534302701	Axle	1
22	E03462	534945301	Wheel	1
23	E03422	535218901	Housing	1
24	E03479	533911901	Belt	1
25	E11294	534322401	Belt guard	1
26	BE0442	-	M10x20 bolt	1
27	BE0062	534064101	M10 washer Ø30	1

1.3 Bearing unit right



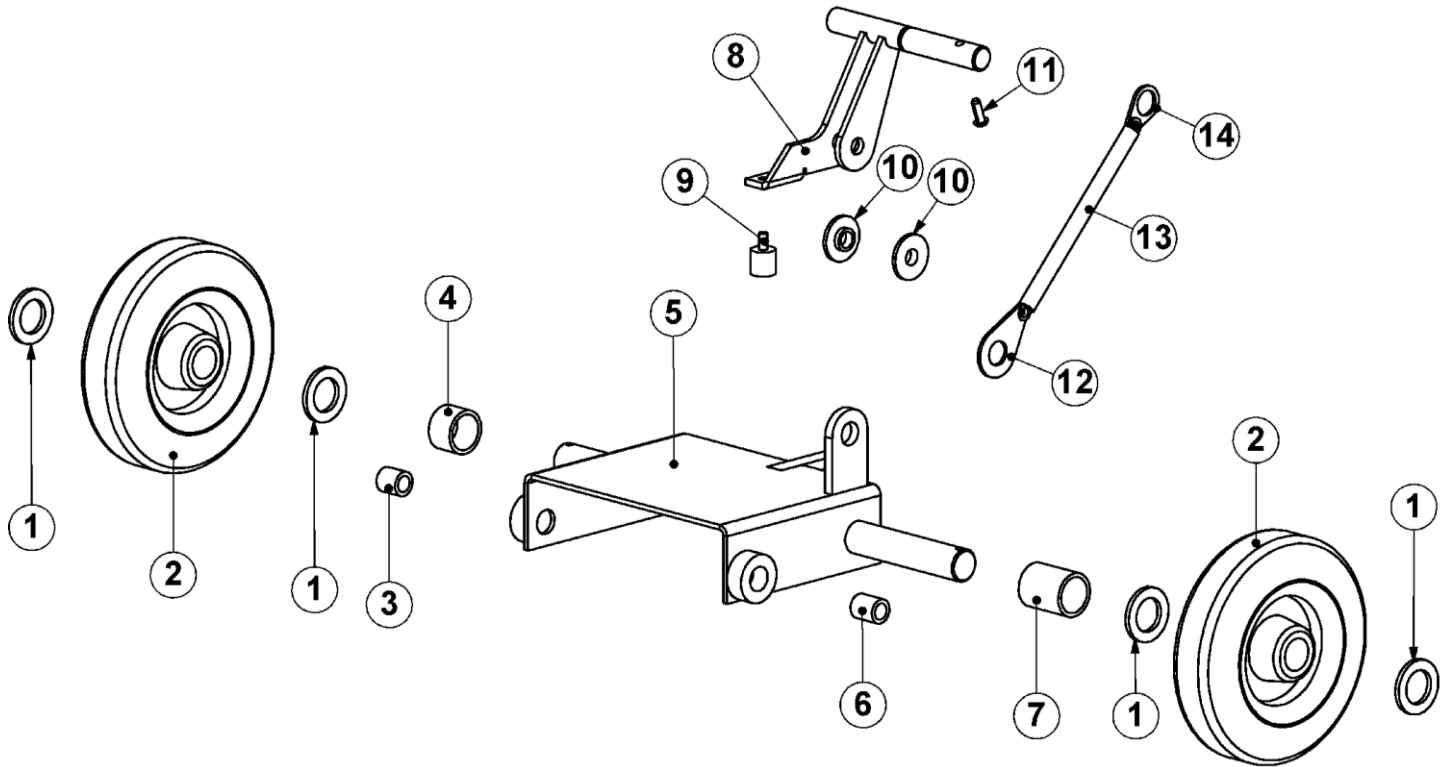
Item	Blastrac PN	HQV PN	Description	Qty.
1	E03457	534316401	Bearing housing	1
2	BE0133	534806901	Circlip Ø55	2
3	E03461	534415101	Cover	1
4	E03963	534312001	Bearing	1
5	E03458	534624201	Hexagon driving support	1
6	E03460	534779901	Protection ring	1

1.4 Bearing unit left



Item	Blastrac PN	HQV PN	Description		Qty.
1	E03451-1	534316301	Bearing housing		1
2	BE0119	534681401	Circlip Ø47		2
3	B20517	533809801	Bearing		2
4	E03452	534514001	Distance bush		1
5	E03454	534779801	Protection ring		1
6	E03455	534515401	Distance ring		1
7	BE0055	534742501	Parallel key 5x5x25	DIN6885A	1
8	E03456	533095801	Hexagon drive shaft		1

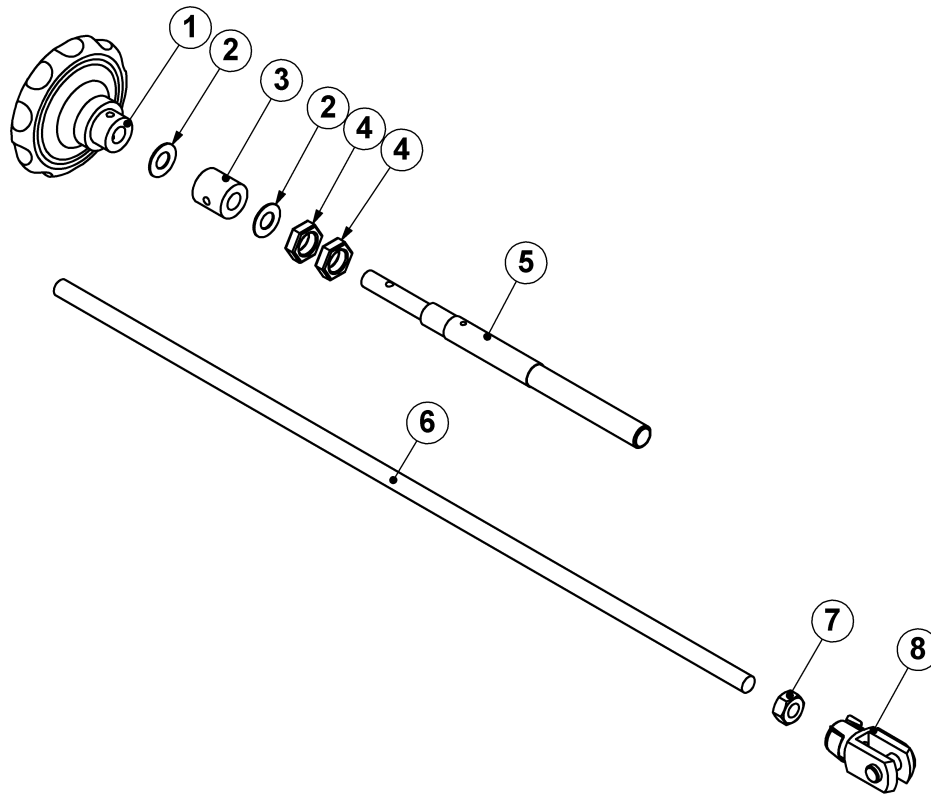
1.5 Wheel bracket



1.5 Wheel bracket

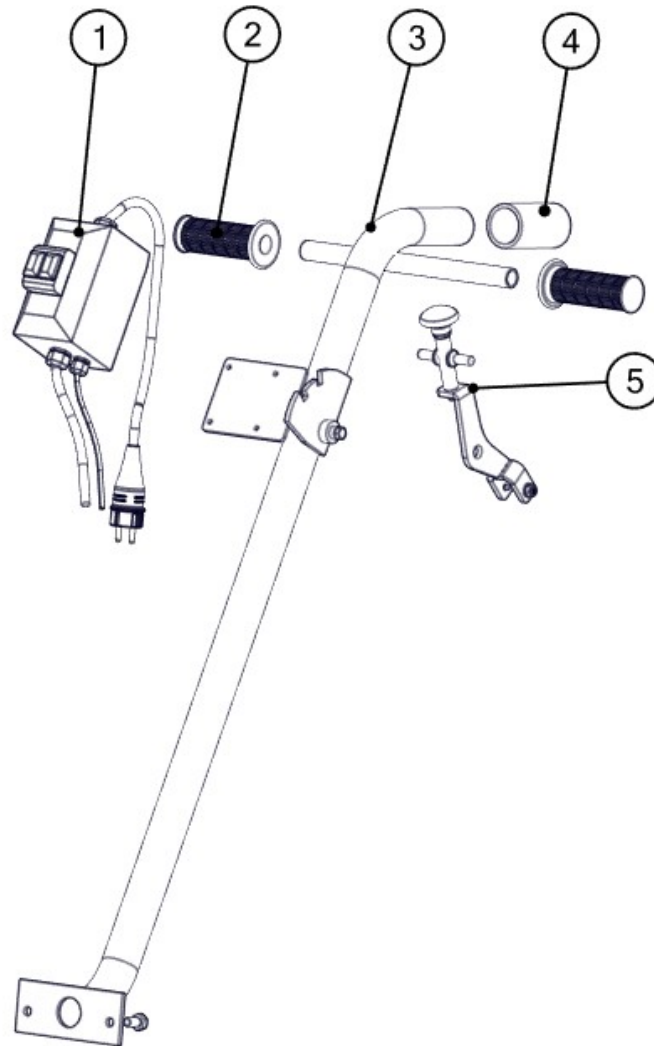
Item	Blastrac PN	HQV PN	Description	Qty.
1	BE0096	534687301	M20 washer	4
2	E03435	534945201	Wheel	2
3	E03439	534373901	Bushing	1
4	E03437	534373701	Bushing	1
5	E03433	534947501	Wheel bracket	1
6	E03438	534373801	Bushing	1
7	E03436	534373601	Bushing	1
8	E03465	535189001	Brake	1
9	E03466	534014001	Cylindrical shock absorber	1
10	E03434	534373501	Bushing	2
11	BE0660	534813601	Round head grooved pin Ø5x12	1
12	E03468	534762901	Plate for spring	1
13	E03470	534894401	Tension spring	1
14	E03469	535260901	Plate for spring	1

1.6 Spindle



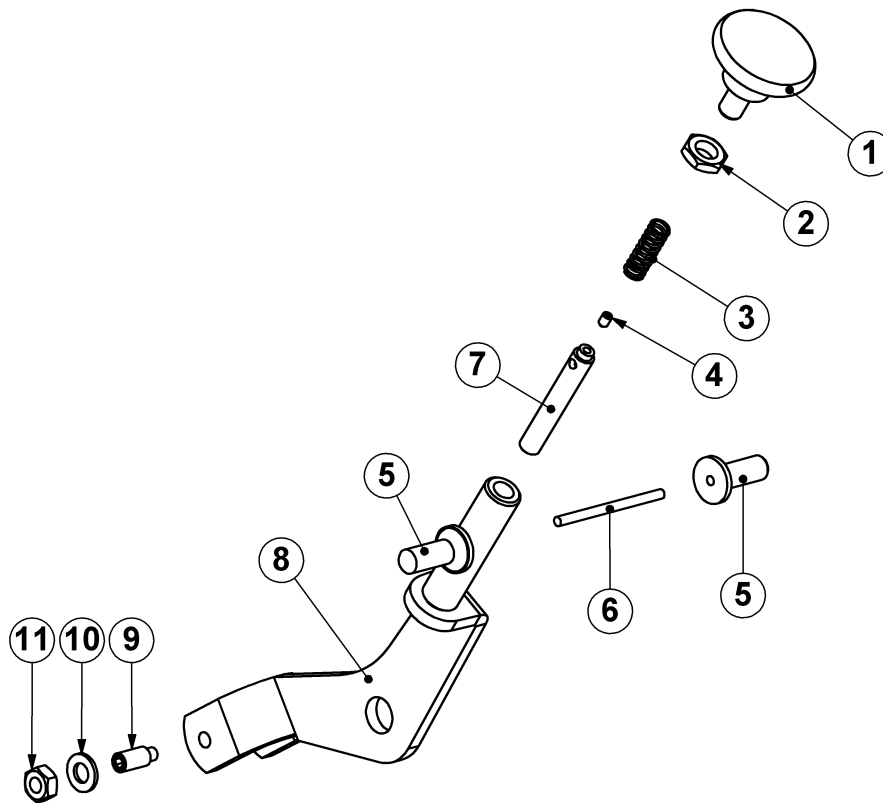
Item	Blastrac PN	HQV PN	Description	Qty.
1	E03475	534614601	Handwheel	1
2	BE0727	-	Shim Ø12x24x1	2
3	E03474	534424201	Cylinder	1
4	BE0899	534686301	M16 Hex low nut	2
5	E03472	534858601	Spindle sleeve	1
6	E03471	534685701	Threaded end	1
7	E01573	535891401	Nut M12	1
8	BE0679	534587901	Fork joint 12x24	1

1.7 Handle complete



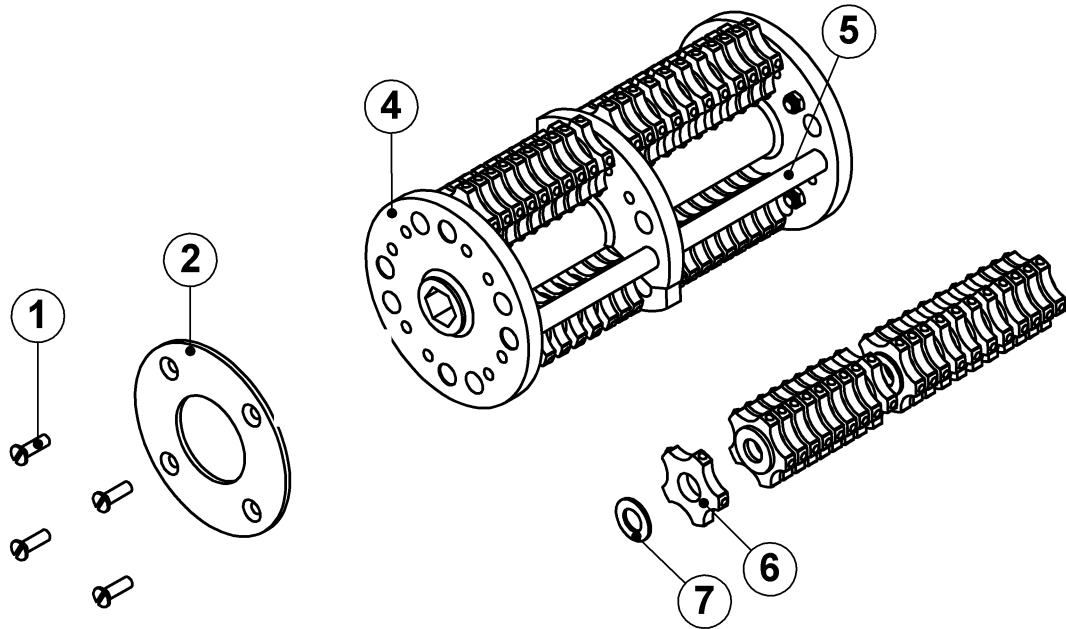
Item	Blastrac PN	HQV PN	Description	Qty.
1	E00587-2	534879901	Elektro kit 230V/50Hz	1
	E12488	534798001	Electro kit 230V/50Hz Australia	1
	E01532	533660201	Elektro kit 110V/50Hz	1
	E03971/2.2KW+4.5A	534550401	Elektro kit 400V	1
2	DG44	534083501	Grip rubber	2
3	E03440	534695801	Machine guide bar	1
4	E03443	534262701	Adapter	1
5	E03445	534666101	Lift handle complete	1

1.8 Lifting handle



Item	Blastrac PN	HQV PN	Description	Qty.
1	E03450	534660801	Knob	1
2	DG62	534677101	M10 nut thin	1
3	E03449	534868701	Spring	1
4	BE0469	-	M4x6 hexagon socket set screw with cup point	1
5	DG64	533238301	Finger grip	2
6	E03448	534833301	Shaft for finger knob	1
7	E03446	534580101	Fixation pin	1
8	E03444	534666001	Lift handle	1
9	BE0690	534694901	M8x20 set screw with dog point	2
10	BE0003	533808601	M8 washer	2
11	BE0014	535784801	M8 nut	2

1.9 Drum complete



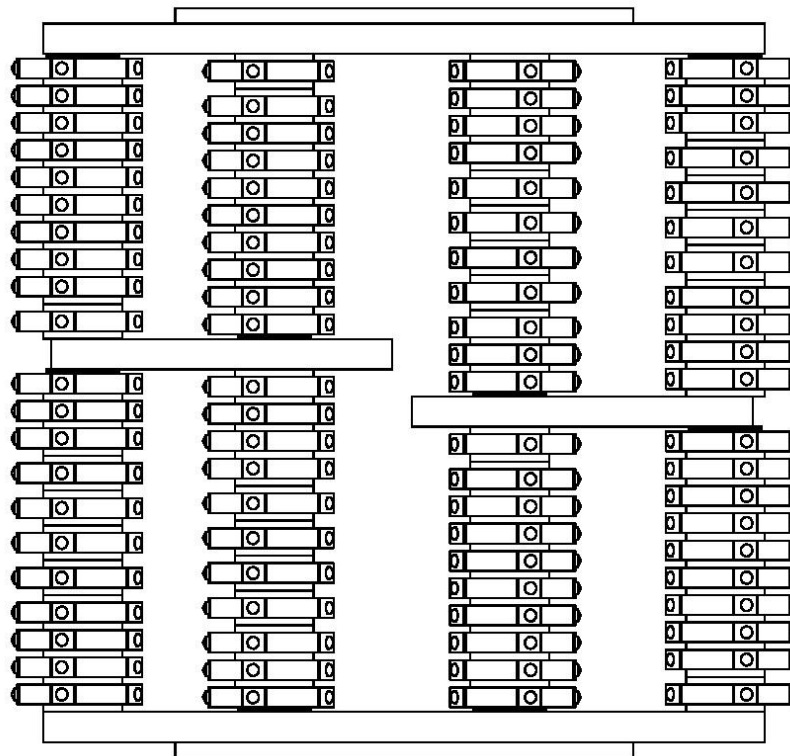
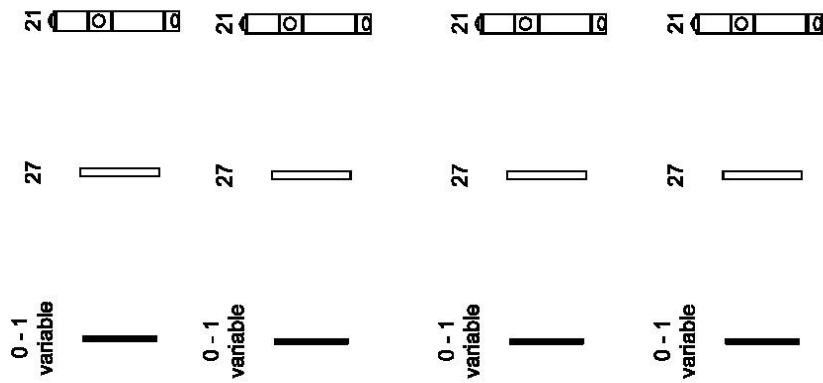
Item	Blastrac PN	HQV PN	Description	Qty.
1	BE0081	-	M6x10 countersunk head screw	8
2	E03484	534805501	Retaining plate	2
4	E03804	535725001	Drum	1
5	MPA215-12	534537701	Drum axle 12mm for BMP-215	4
6	MPL212	534420401	Cutter 5pt. 16x44x6 / 8.3 tc	84
7	MPL20	534857101	Spacer ring SR25	108
	MPL19	534856301	Spacer ring (ZS) 13x24x1,5 mm	4
1 - 5	MPD215-412	534534401	Drum c/w strong /4x12mm.shafts	1
1 - 7	MPD215L212S	533873901	Drum cpl. with MPL212 cutters(12mm.shafts)	1
6 - 7	MPL212S215	534801801	Refill set MPL212 for BMP-215	1



2. Assembly plan for MPD215 L212S

Only assemble tools and spacers so you while the tools could freely move (Axial-Play min 1-2mm).
 Every shaft needs to have the same quantity of tools and spacers being fitted in order to prevent unbalances.

MPL19 MPL20 MPL212

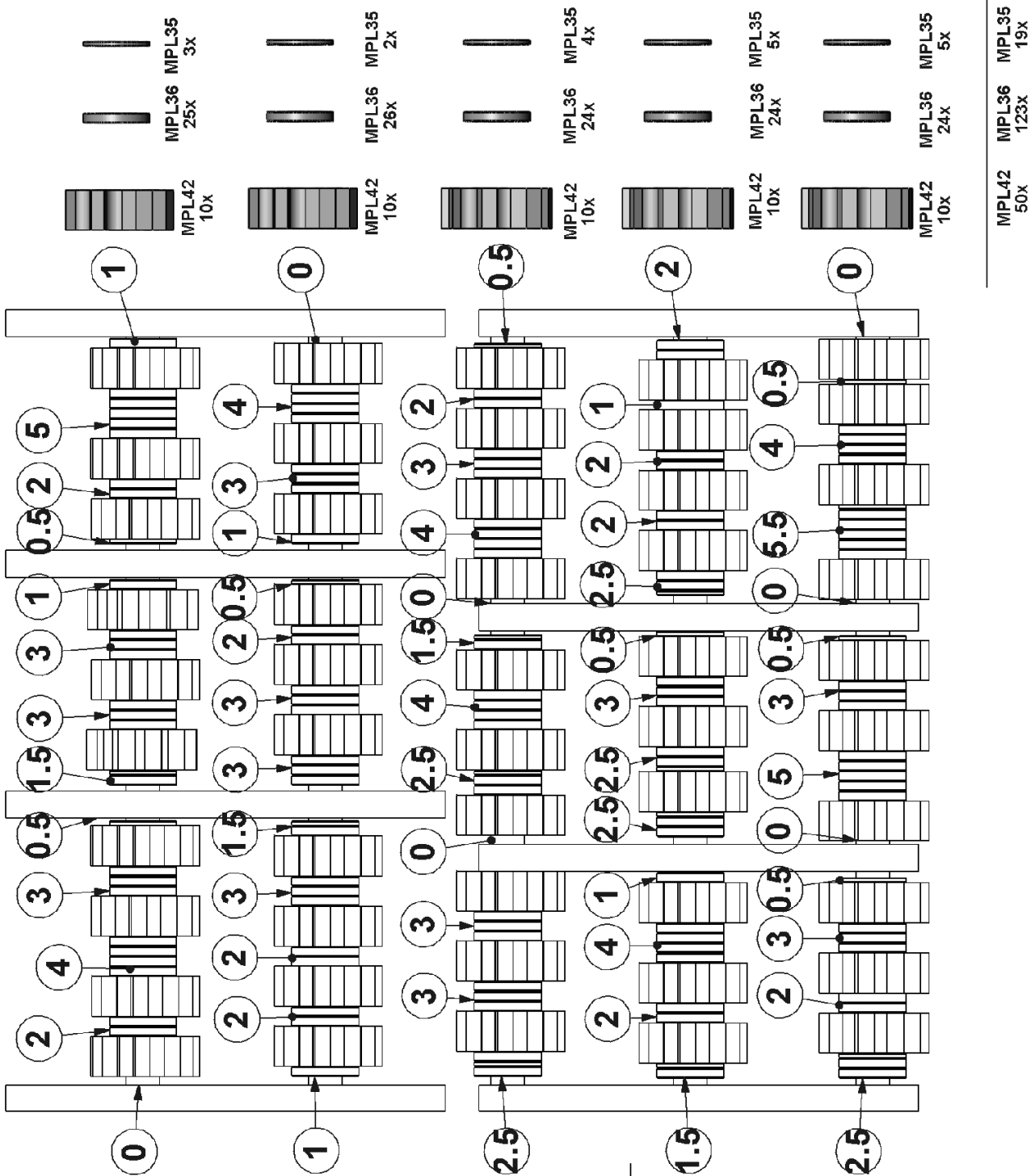


up to 4 108 84

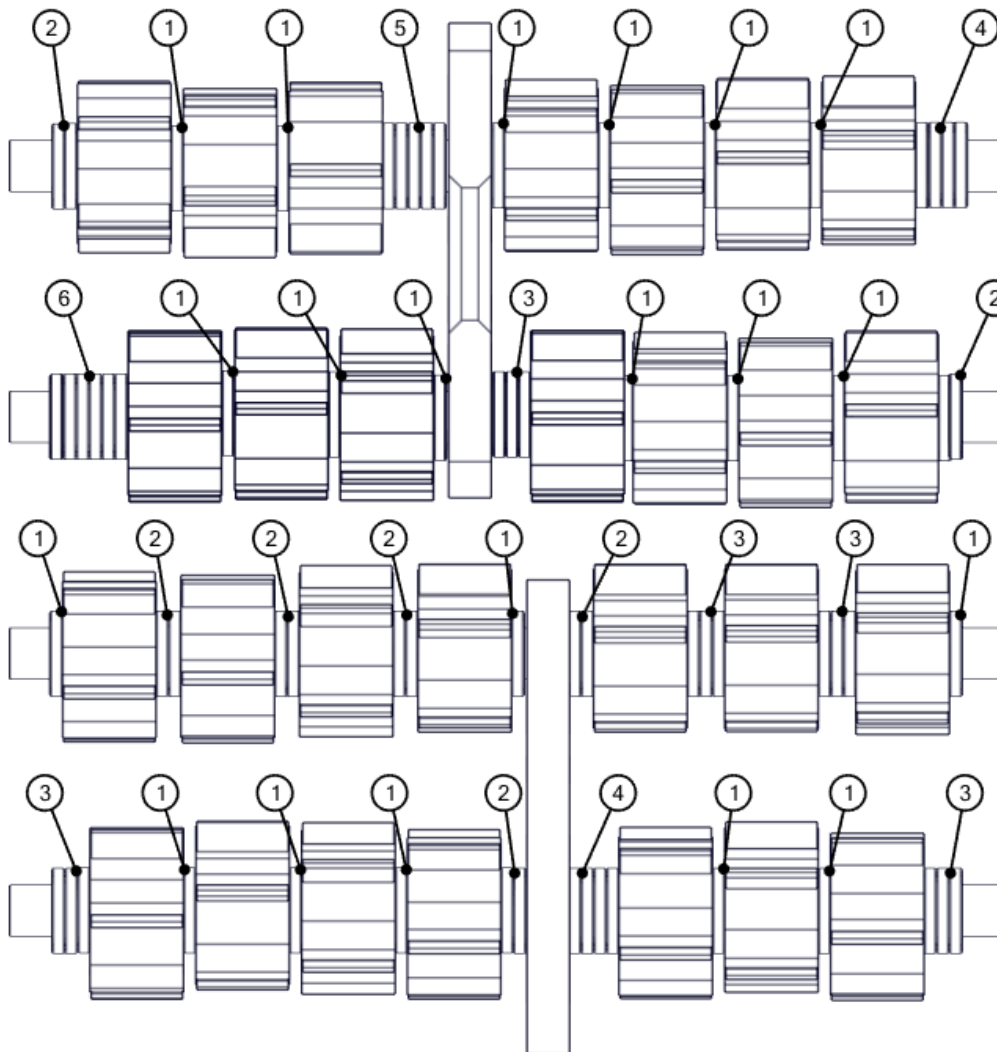
Assemblage plan of
 MPD 215L212S



2.1 Assembly plan for MPD215 L42SX



2.2 Assembly plan for MPD215 L13



17x Spacer MPL36
7x MPL13 Milling cutter

17x Spacer MPL36
7x MPL13 Milling cutter

17x Spacer MPL36
7x MPL13 Milling cutter

17x Spacer MPL36
7x MPL13 Milling cutter

Total:
68x Spacer MPL36
28x MPL13 Milling cutter
1x MPD215-412 Drum



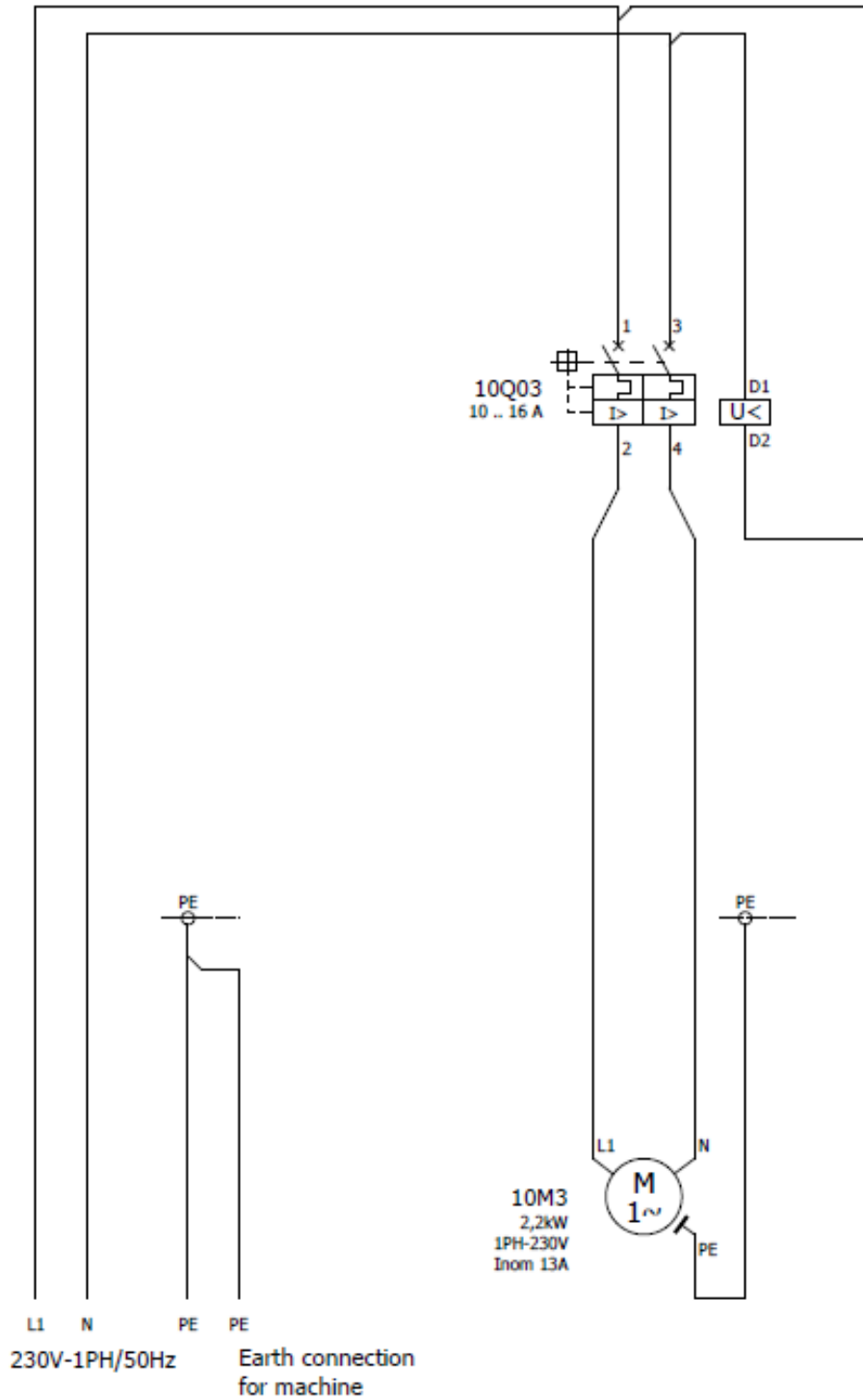
Device tag	Qty	Designation	Type number	Brand	Blastrac PN	HQV PN
BOX	2	Cabel gland M20*1.5 (PG11/13.5/16) brass, nickel-plated	WARTEL M20*1.5	Jacob	E00406	533977301
BOX	2	Cable gland nut M20*1.5 brass, nickel-plated	WARTELMOER M20*1.5	Jacob	E00406_1	534027401
BOX	1	Cable gland M12*1.5 IP68 brass,nickel-plated	WARTEL M12*1.5	Jacob	E00404/E08359	-
BOX	1	Cable gland nut M12*1.5 brass, nickel-plated	WARTELMOER M12*1.5	Jacob	E00404_	-
BOX	2	Ozoflex neopreenkabel 4*1.5	H07-F 4*1.5 MM		E08361	-
10Q3	1	Motor circuit breaker 4,0...6,3A	GV2-ME10	Schneider Electric	E01557/MP04072	533480601/-
10Q3	1	vuistslagknop rood tbv GV2-MC02	GV2-K031	Schneider Electric	DG25	534560601
10Q3	1	Opbouwkast IP55 tbv GV2	GV2-MC02	Schneider Electric	DG22	534879201
10Q3	1	Under voltage trip 380V-60Hz	GV-AU386	Schneider Electric	E08284	-
10X1	1	Plug with phase inverter 3P+N+PE 16A 400V 50/60Hz 6h IP44	S51S30P	ABL Sursum	009425	534767301



E00587-2

1~230V / 50Hz

PJ19.1339.00.0





BLASTRAC EUROPE

WE'RE READY TO ASSIST YOU!

BLASTRAC THE NETHERLANDS

EUROPEAN HEAD OFFICE
Utrechthaven 12
NL - 3433 PN Nieuwegein
Tel.: +31 (0)30 601 88 66
Fax: +31 (0)30 601 83 33
Email: info@blastrac.nl
WWW.BLASTRAC.EU

BLASTRAC POLAND

SALES & SERVICE CENTRE
Golina, ul. Dworcowa 47E
63-200 Jarocin
Tel.: +48 (0)62 740-41-50
Fax: +48(0)62 740-41-51
Email: info@blastrac.pl
WWW.BLASTRAC.PL

BLASTRAC FRANCE

SALES & SERVICE CENTRE
ZI - 29, Av. des Temps Modernes
F - 86360 Chasseneuil du Poitou
Tel.: +33 (0)5 49 00 49 20
Fax: +33 (0)5 49 00 49 21
Email: info@blastrac.fr
WWW.BLASTRAC.FR

BLASTRAC ITALY

SALES & SERVICE CENTRE
S.S. 10 Padana Inferiore, 41
IT - 29012 Caorso (PC)
Tel.: +39 0523 814241
Fax: +39 0523 814245
Email: info@blastrac.it
WWW.BLASTRAC.IT

BLASTRAC GERMANY

SALES & SERVICE CENTRE
Richard-Byrd-Str. 15
50829 Köln
Tel.: +49 (0) 221 709032-0
Fax: +49 (0) 221 709032-22
Email: info@blastrac.de
WWW.BLASTRAC.DE

BLASTRAC UKRAINE

SALES & SERVICE CENTRE
Nezalezhnosti 14, of. 21
07400 Brovary
Tel.: +38 (0)44 222 51 28
Fax: +38 (0)44 277 98 29
Email: info@blastrac.com.ua
WWW.BLASTRAC.COM.UA

BLASTRAC SPAIN

SALES & SERVICE CENTRE
Calle del Estío, 9
E - 28500
Arganda del Rey, Madrid
Tel.: +34 91 660 10 65
Fax: +34 91 672 72 11
Email: info@blastrac.es
WWW.BLASTRAC.ES

BLASTRAC UNITED KINGDOM

SALES & SERVICE CENTRE
Unit 2a, Outgang Lane, Dinnington
Sheffield, South Yorkshire
GB - S25 3QU
Tel.: +44 (0) 1909 / 569 118
Fax: + 44 (0) 1909 / 567 570
Email: info@blastrac.co.uk
WWW.BLASTRAC.CO.UK

BLASTRAC MIDDLE EAST

SALES & SERVICE CENTRE
P.O. box 29424
Dubai / United Arab Emirates
Tel.: +971 4 3245760
Fax: +971 4 3245761
Email: info@blastracdxbae
WWW.BLASTRAC.AE

BLASTRAC NORDIC

SALES & SERVICE CENTRE
Lekstorps Industriväg 13D,
443 41, Gråbo
Sweden
Tel.: +46 (0) 31 30 333 55
Email: info@blastrac.se
WWW.BLASTRAC.SE

BLASTRAC INDIA

SALES & SERVICE CENTRE
G.B. Warehousing, GAT NO- 523,
Pune- Nagar Road, Wagholi
Pune- 412 207
Tel.: +91 99213 98109
Email: info.blastrac.in
WWW.BLASTRAC.IN