

SERVICE MANUAL EBE-500S 60Hz

VERSION 1.1

Index

Maintenance log	03
1. Spare parts	04
2. Maintenance box	13
Contact	



Inspection comments

Inspection before initial operation on:	_____
By:	_____
Date of initial operation:	_____
Serial number & Year of manufacture:	_____

Recurring inspections / Maintenance log

Date	Findings	Repairs / Cleaning	Test on	By*

*competent person

1. Spare parts

Fig. 01

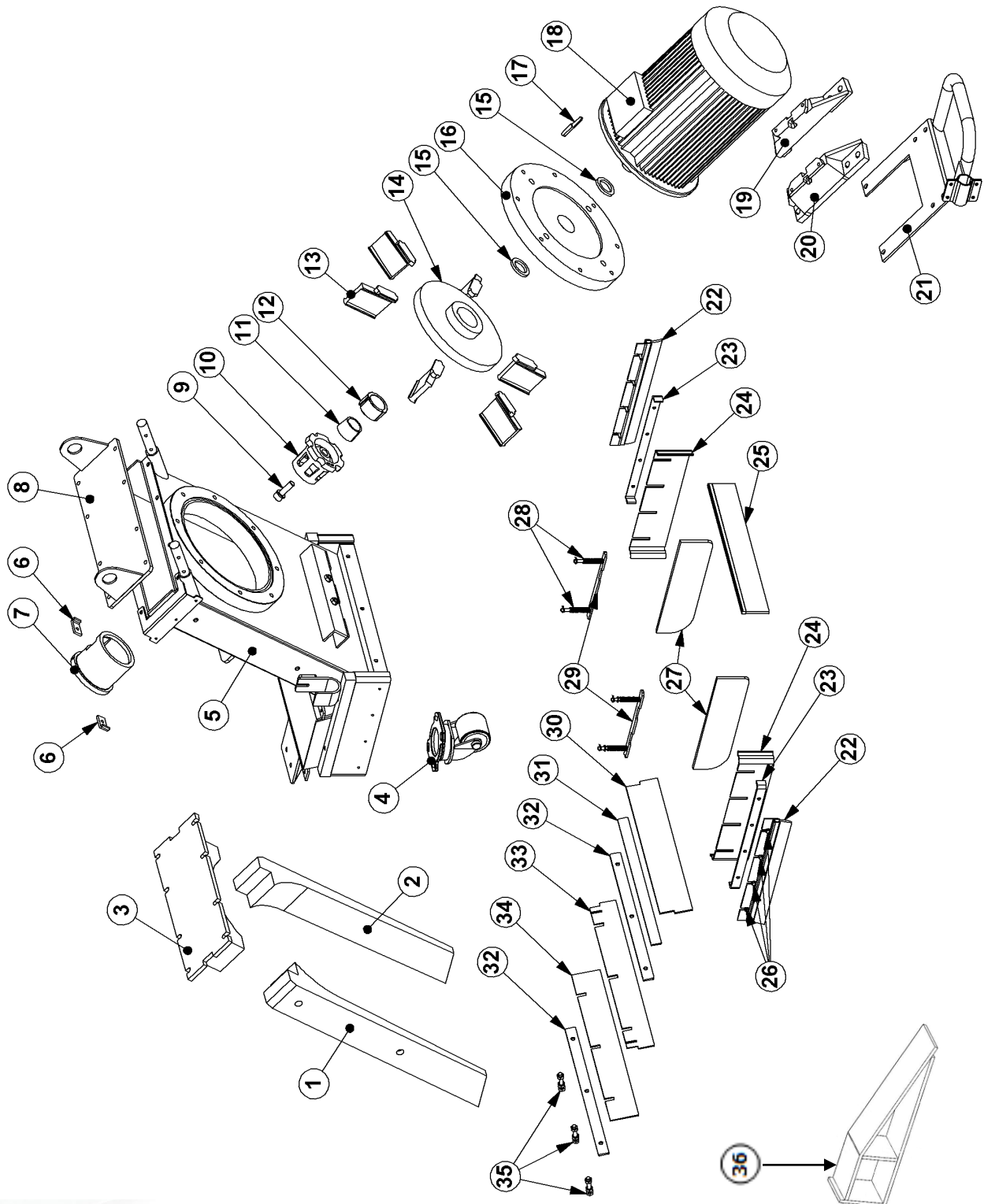


Fig. 01

Item	Part number	Description	Remarks	Qty.
1	500-1030	Liner LH		1
2	500-1035	Liner RH		1
3	500-1040	Top liner		1
4	500-2010-SEH	Front Wheel castor		1
5	500-9006-S	Blast housing cabinet		1
6	500-9041-SEVU	Control cage clamp		2
7	500-1010	Control cage		1
8	500-1115	Top liner cover		1
9	500-1245	Impeller bolt		1
10	600-1015	Impeller		1
11	222-2295	Taper lock bush		1
12	222-2265	Taper lock adapter		1
13	500-1005	Blades (set of 6)		1
14	500-1025	Blast wheel		1
15	500-1145-V	Oil seal		2
16	500-9007-SEVU	Motor adaption plate		1
17	E00963	Blast motor parallel key		1
18	500-3020-SHEV	Blast motor 18.5 kW		1
	500-3021-SHEV/35HP	Blast motor 35HP (22kW with mounted connector)		1
19	500-3045-SEV/80	Motor foot right (for 18.5 kW motor)		1
20	500-3040-SEV/80	Motor foot left (for 18.5 kW motor)		1
19+20	500-3020-SHEV/35HP/FOOT	Foot set LH+RH (for 22kW motor)	Set of 2	1
21	500-9090-SE	Protection motor bracket		1
22	500-1050-S	Side brush (set of 2)		1
23	500-1061-SE	Side skirt fixing plate		2
24	500-1060-S	Side skirt (set of 2)		1
25	500-1045-S	Back brush		1
26		M6x25+washer+springlock washer		8
27	500-1020	Side seal (set of 2)		1
28	500-2030-SE	Side seal spring		4
29	500-1021-SE	Side seal spring plate		2
30	500-1052-SE	Front skirt inner		1
31	500-1057-SE	Front skirt fixing plate		1
32	500-1058-SE	Front locating plate inner/outer		2
33	500-1053-SE	Front skirt intermediate		1
34	500-1054-SE	Front skirt outer		1
35		Bolt M10x55+2x nut M10		3
36	500-1260-SE	Drive ramp		1

Fig. 02

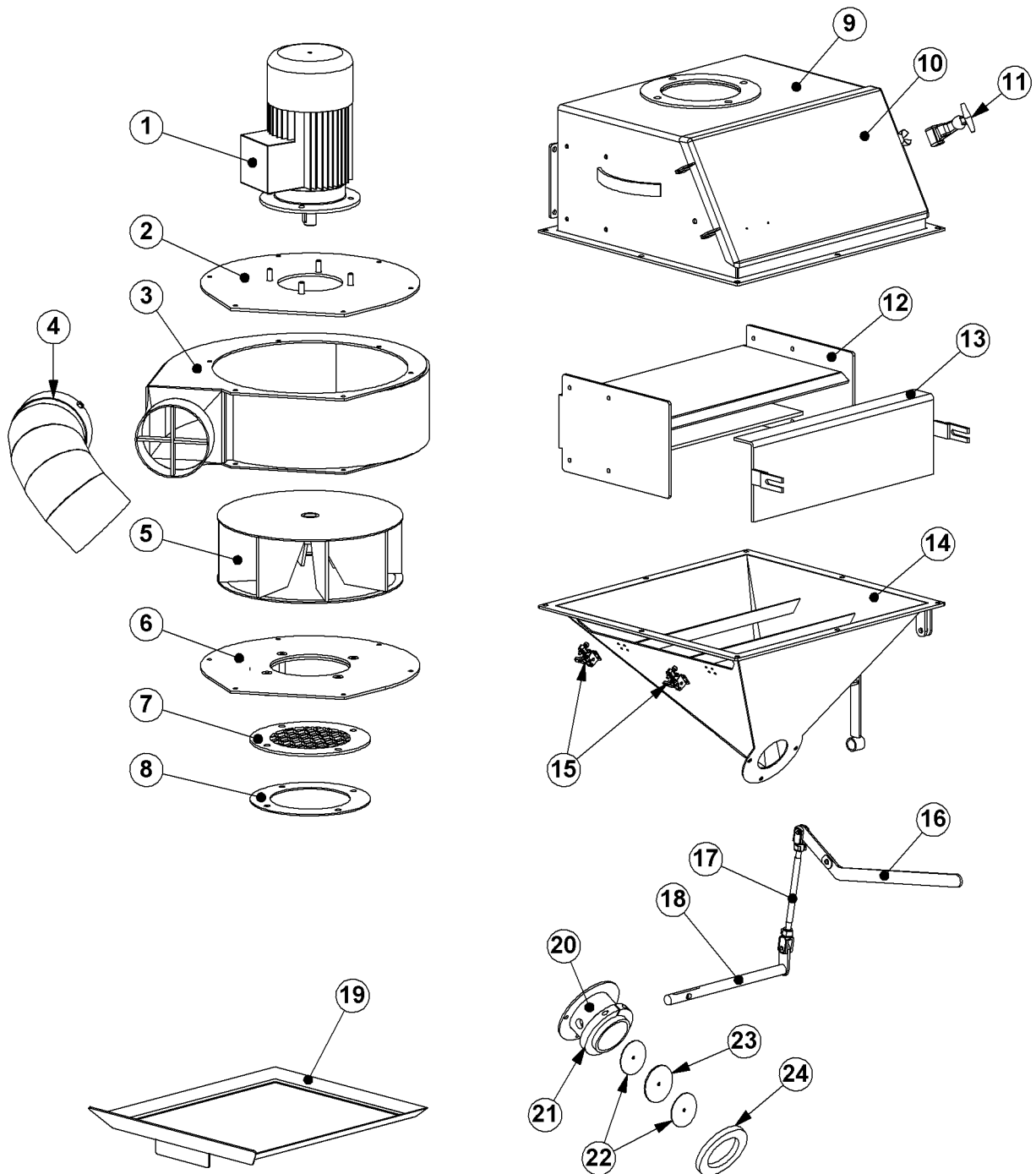
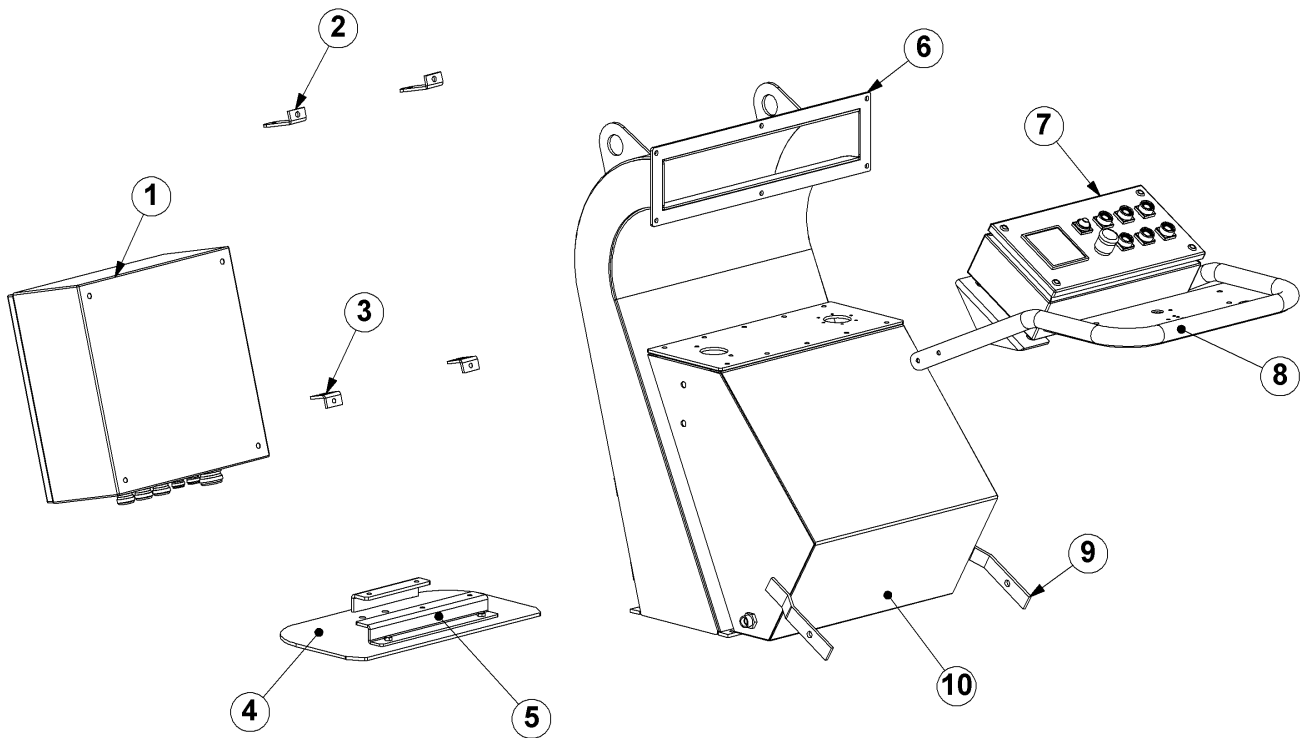


Fig. 02

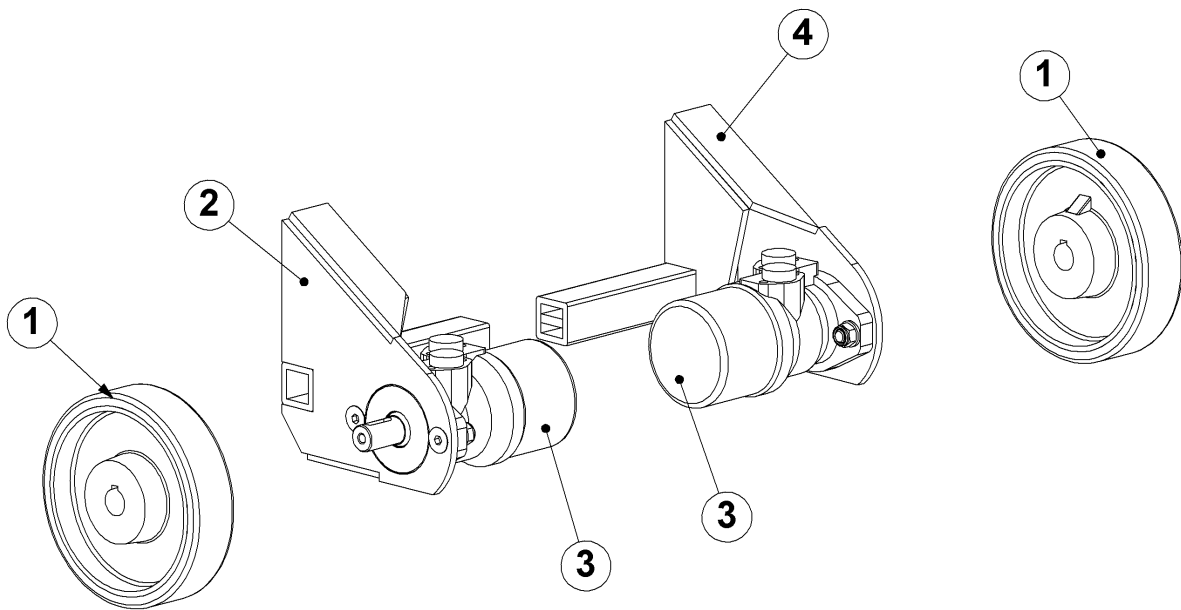
Item	Part number	Description	Qty.
1	500-3055-SHEV	Fan motor 2.2 kW	1
2	500-9030	Fan housing plate (top)	1
3	500-1090	Fan housing	1
4	500-1120	Fan housing elbow	1
5	500-1085	Fan impeller	1
6	500-9025	Fan housing plate bottom	1
7	035-9035	Fan ring	1
8	035-1125	Fan housing seal	1
9	500-9120-SE	Separator housing	1
10	500-9119	Separator door	1
11	500-1195	Rubber latch assy	1
12	500-9118-SE	Baffle plates	1
13	500-9121-SE	Separator deflector	1
14	E00992	Abrasive storage hopper	1
15	001084	Clamp for separator tray	2
16	500-9112-SE	Shot valve handle	1
17	500-1069-SE	Shot lever shaft complete	1
18	500-2015-SE	Shot valve axle	1
19	E00993	Hopper tray	1
20	600-9240	Shot valve axle housing	1
21	E04059	Clamp adjusting ring inc. bolt	1
22	500-1071	Shotvalve inner (steel)	2
23	500-1070	Shotvalve inner (rubber)	1
24	500-1065-SE	Feed spout rubber	1

Fig. 03



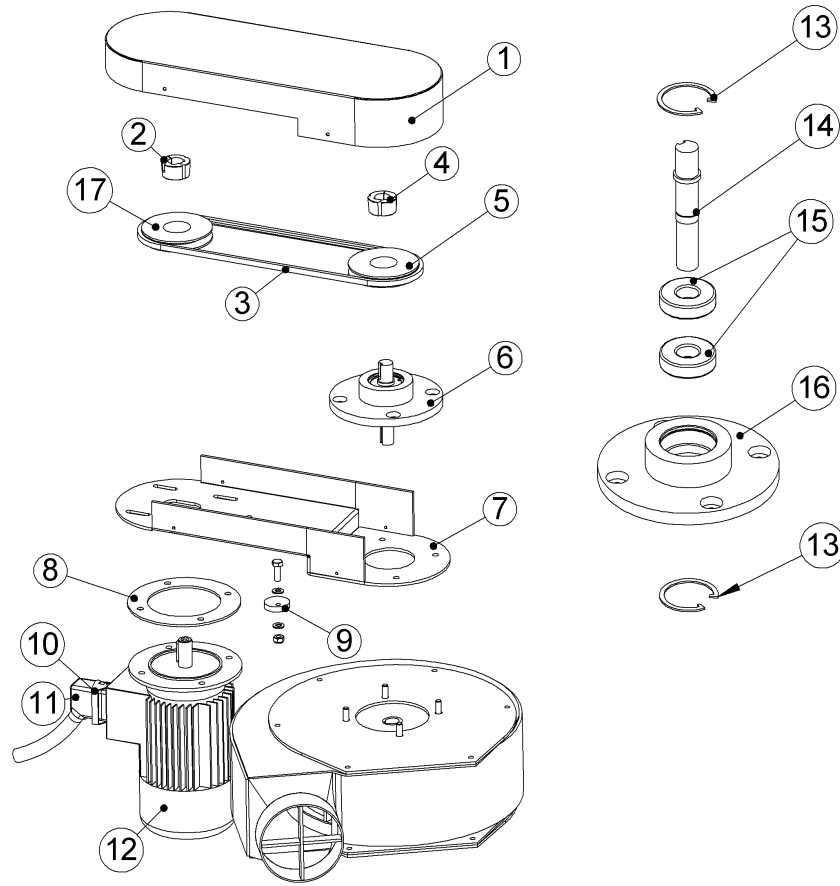
Item	Part number	Description	Qty.
1	500-9110	Main control box UNI	1
2	E03729	Rebound bracket top	2
3	E03725	Rebound bracket	2
4	E03813	Base plate hydro motor	1
5	E03814	Motor support	1
6	E03723	Rebound	1
7	500-3404-SE	Remote control box	1
8	500-9085-S	Handle complete	1
9	E03699	Oil tank fixing tank	2
10	500-9080-S	Hydraulic tank	1

Fig. 04



Item	Part number	Description	Qty.
1	500-2425-S	Drive wheel	2
2	E03807	Left Wheel bracket	1
3	500-4005-SU	Hydraulic drive motor	1
4	E03811	Right Wheel bracket	1

Fig. 05



Item	Part number	Description	Qty.
1	E00701	Belt guard cover	1
2	222-2270	Taper lock bush	1
3	500-2465-SE	V-belt	1
4	222-2301-V	Taper lock bush	1
5	500-2469	V-belt pulley (60Hz machines)	2
	E00622	V-belt pulley (50Hz machines)	
6	E00706	Bearing unit complete	1
7	E00700	Belt guard bottom plate	1
8	E00707	Filling plate fan motor	1
9	E00704	Eccentric sleeve fan adapter	1
10	RIG-3629-CDF	Connector housing	1
11	RIG-3630-CDF	Interior bush	1
12	500-3055-SHEV-IE2	Fan motor	1
13	E00951	Inner circlip	2
14	E00703	Shaft fan adapter	1
15	E00705	Bearing fan adapter	2
16	E00702	Bearing house fan adapter	1
17	491824	V-belt pulley (50Hz machines)	1

Fig. 06

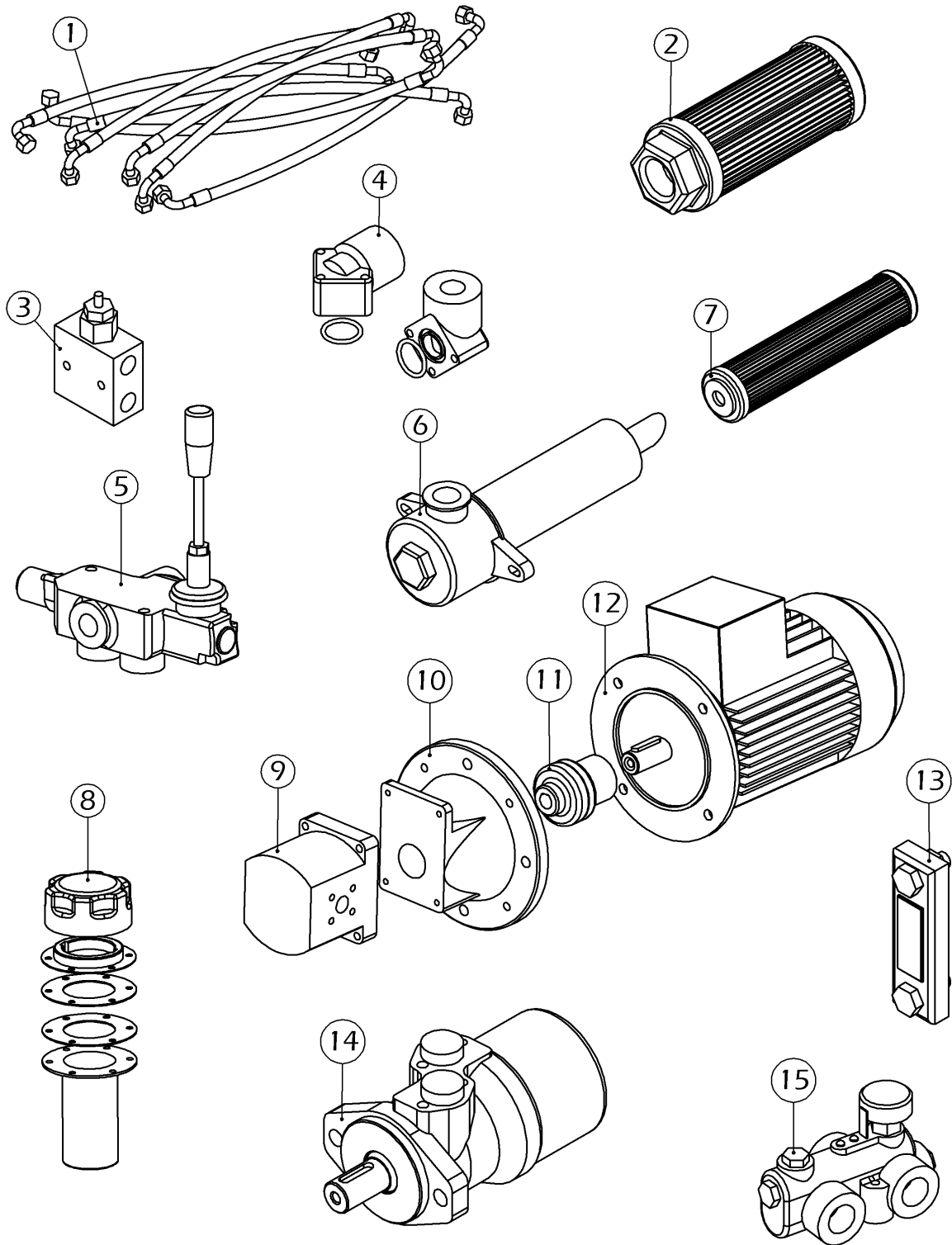
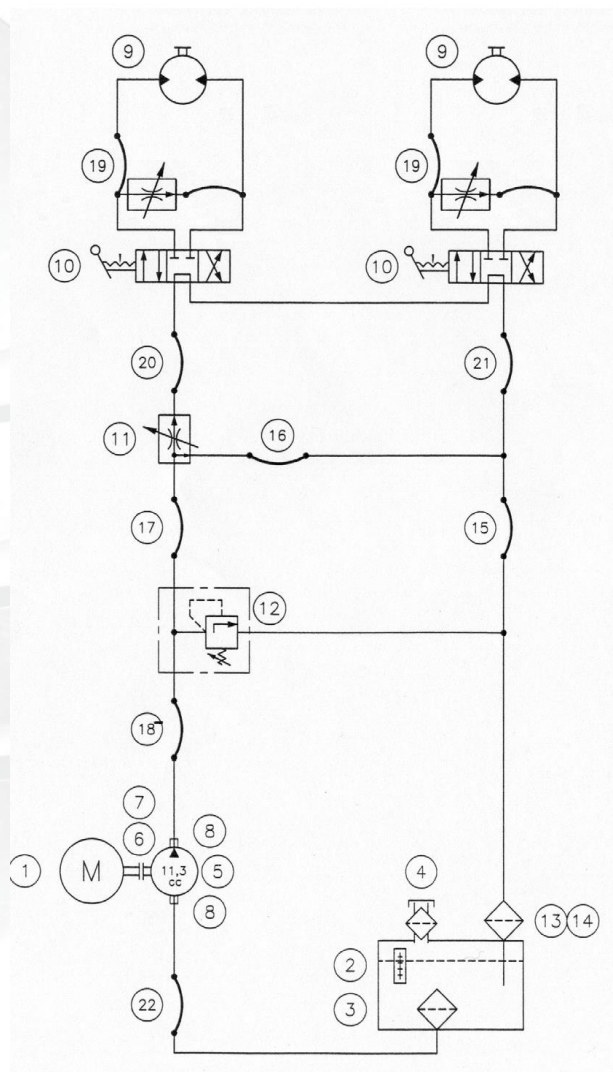


Fig.06

Item	Part number	Description	Qty.
1	500-4101-S	Hydraulic hose set	1
2	035-4040	Suction filter	1
3	035-4175-S	Pressure relief valve	1
4	500-4115-SV	Flange coupling	2
5	035-4105-S	Hydraulic directional control valve	2
6	035-4173-S	Return filter housing	1
7	035-4174-S	Return filter element	1
8	500-3085-S	Filling venting filter	1
9	500-4173-S	Gear pump	1
10	500-4114-S	Pump bracket (aluminium)	1
11	500-4116-S	Flexible coupling (aluminium)	1
12	500-3060-S	Pump motor 2,2kW	1
13	350-4172-S	Level gauge with thermo	1
14	500-4005-SU	Hydraulic drive motor	2
15	500-4030-S	Flow control valve	1

EBE 500 S - Hydraulic circuit



2. Maintenance box E07226

Item	Part number	Description	Qty.
1	E07226_1	Maintenance box 500E/S (tools only)	1
2	E07226_2	Brass shaft \varnothing 20x500mm	1
3	500-1015	Impeller	1
4	500-1005	Blades (set of 6)	1
5	500-1010	Control cage	1
6	500-1245	M16X45 Impeller bolt DIN912	1
7	500-1045-S	Back brush	1
8	500-1060-S	Side skirt (set of 2)	2
9	500-1050-S	Side brush (set of 2)	2
10	500-1052-SE	Front skirt inner	1
11	500-1053-SE	Front skirt intermediate	1
12	500-1054-SE	Front skirt outer	1
13	500-1070	Shot valve insert (rubber)	1
14	500-1065-SE	Feed spout rubber	1



BLASTRAC EUROPE

WE'RE READY TO ASSIST YOU!

BLASTRAC THE NETHERLANDS

EUROPEAN HEAD OFFICE

Utrechthaven 12
 NL - 3433 PN Nieuwegein
 Tel.: +31 (0)30 601 88 66
 Fax: +31 (0)30 601 83 33
 Email: info@blastrac.nl
WWW.BLASTRAC.EU

BLASTRAC POLAND

SALES & SERVICE CENTRE

Golina, ul. Dworcowa 47E
 63-200 Jarocin
 Tel.: +48 (0)62 740-41-50
 Fax: +48(0)62 740-41-51
 Email: info@blastrac.pl
WWW.BLASTRAC.PL

BLASTRAC FRANCE

SALES & SERVICE CENTRE

ZI - 29, Av. des Temps Modernes
 F - 86360 Chasseneuil du Poitou
 Tel.: +33 (0)5 49 00 49 20
 Fax: +33 (0)5 49 00 49 21
 Email: info@blastrac.fr
WWW.BLASTRAC.FR

BLASTRAC ITALY

SALES & SERVICE CENTRE

S.S. 10 Padana Inferiore, 41
 IT - 29012 Caorso (PC)
 Tel.: +39 0523 814241
 Fax: +39 0523 814245
 Email: info@blastrac.it
WWW.BLASTRAC.IT

BLASTRAC GERMANY

SALES & SERVICE CENTRE

Richard-Byrd-Str. 15
 50829 Köln
 Tel.: +49 (0) 221 709032-0
 Fax: +49 (0) 221 709032-22
 Email: info@blastrac.de
WWW.BLASTRAC.DE

BLASTRAC UKRAINE

SALES & SERVICE CENTRE

Nezalezhnosti 14, of. 21
 07400 Brovary
 Tel.: +38 (0)44 222 51 28
 Fax: +38 (0)44 277 98 29
 Email: info@blastrac.com.ua
WWW.BLASTRAC.COM.UA

BLASTRAC SPAIN

SALES & SERVICE CENTRE

Calle del Estío, 9
 E - 28500
 Arganda del Rey, Madrid
 Tel.: +34 91 660 10 65
 Fax: +34 91 672 72 11
 Email: info@blastrac.es
WWW.BLASTRAC.ES

BLASTRAC UNITED KINGDOM

SALES & SERVICE CENTRE

Unit 2a, Outgang Lane, Dinnington
 Sheffield, South Yorkshire
 GB - S25 3QU
 Tel.: +44 (0) 1909 / 569 118
 Fax: + 44 (0) 1909 / 567 570
 Email: info@blastrac.co.uk
WWW.BLASTRAC.CO.UK

BLASTRAC MIDDLE EAST

SALES & SERVICE CENTRE

P.O. box 29424
 Dubai / United Arab Emirates
 Tel.: +971 4 3245760
 Fax: +971 4 3245761
 Email: info@blastracdx.ae
WWW.BLASTRAC.AE

BLASTRAC NORDIC

SALES & SERVICE CENTRE

Lekstorps Industriväg 13D,
 443 41, Gråbo
 Sweden
 Tel.: +46 (0) 31 30 333 55
 Email: info@blastrac.se
WWW.BLASTRAC.SE

BLASTRAC INDIA

SALES & SERVICE CENTRE

G.B. Warehousing, GAT NO- 523,
 Pune- Nagar Road, Wagholi
 Pune- 412 207
 Tel.: +91 99213 98109
 Email: info.blastrac.in
WWW.BLASTRAC.IN