

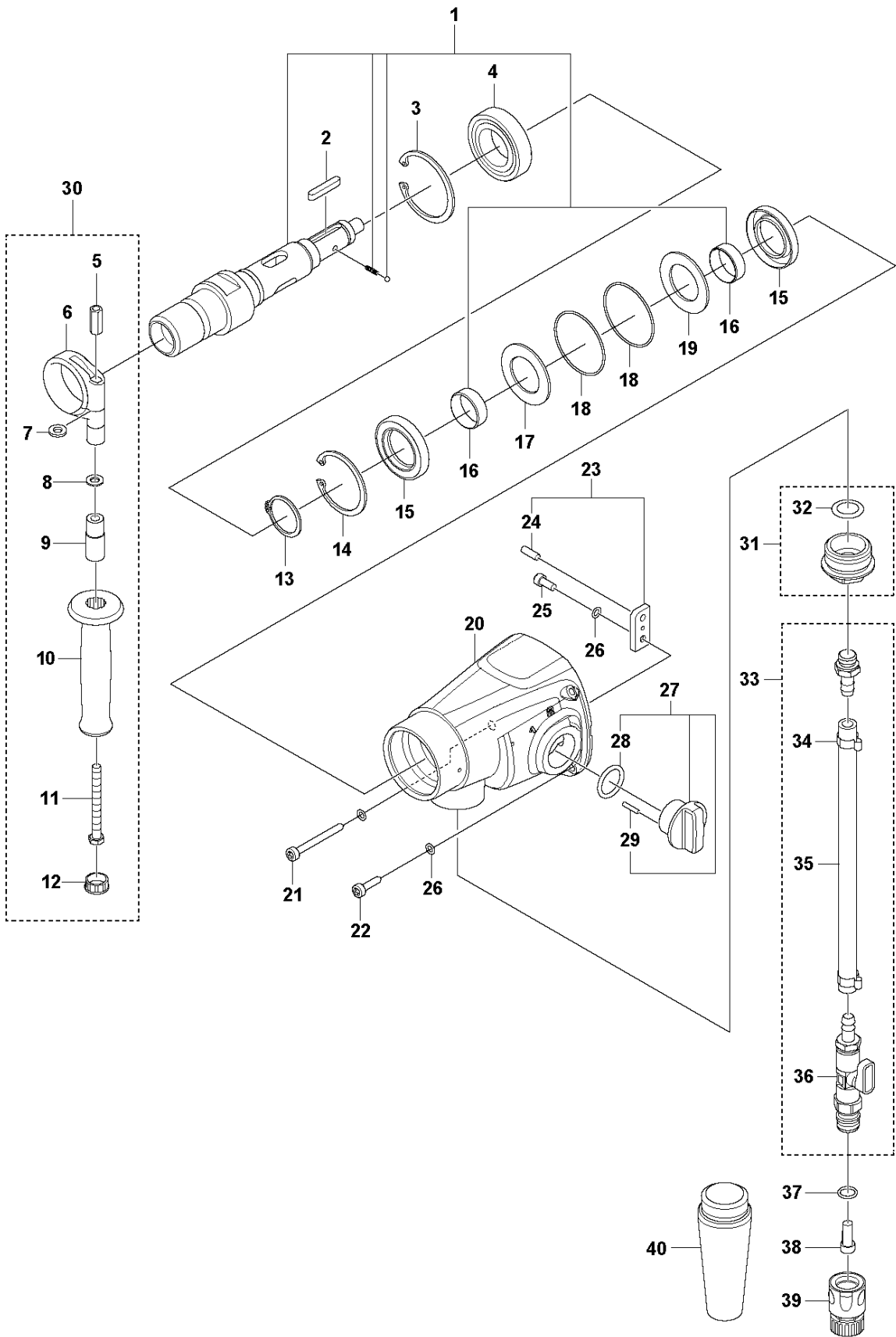


# SPARE PARTS LIST

DRILLING EQUIPMENT

DM540i, 2021-09

**A** DM540i  
GEARBOX

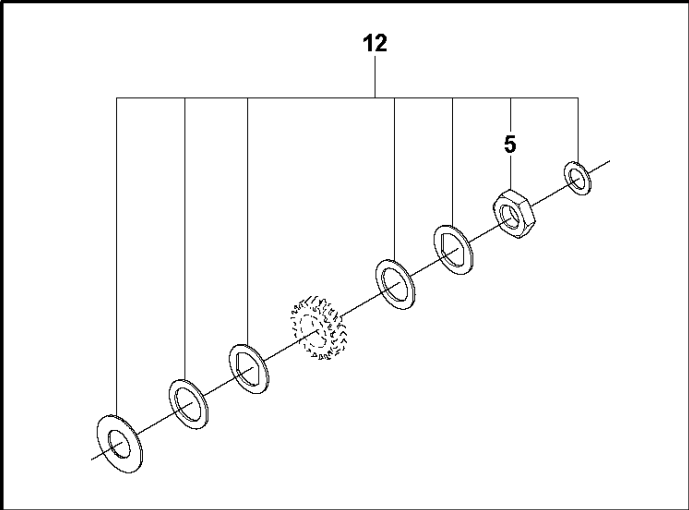
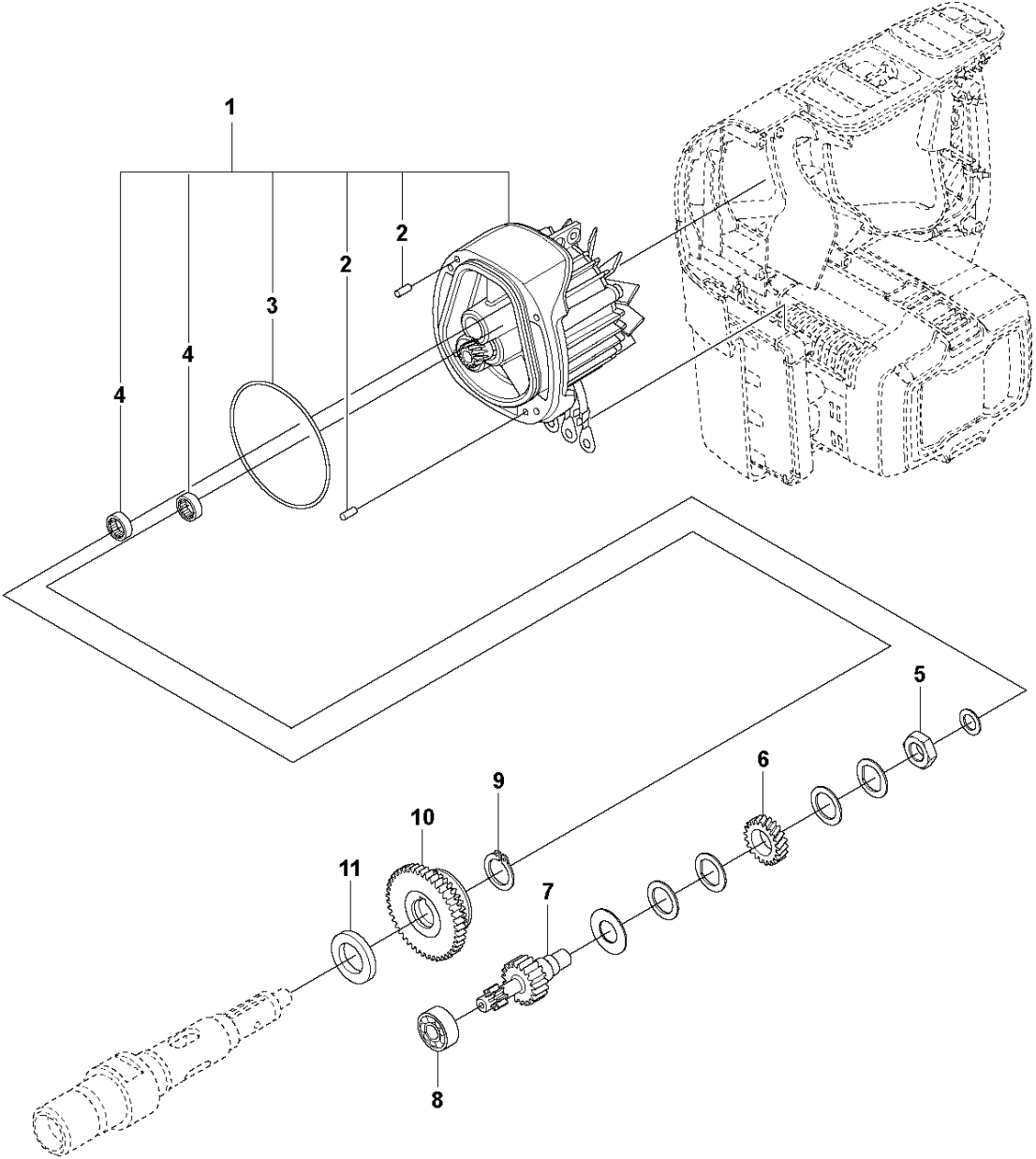


## GEARBOX

DM540i, 2021-09

| Ref | Part No      | Description         | Remark             | QTY KIT |    |
|-----|--------------|---------------------|--------------------|---------|----|
| 1   | 599 76 99-03 | SPINDLE SHAFT       | ASSY 32/28.9 Japan | 1       |    |
| 1   | 599 76 99-01 | SPINDLE SHAFT       | "ASSY 1 1/4"" UNC" | 1       |    |
| 2   | 599 77 24-01 | PARALLEL KEY        | A5x5x30            | 1       |    |
| 3   | 543 05 27-45 | RETAINER RING       |                    | 1       |    |
| 4   | 543 05 27-86 | BALL BEARING        |                    | 1       |    |
| 5   | 504 02 34-01 | NUT                 |                    | 1       | 30 |
| 6   | 582 06 26-01 | CLAMPING SLEEVE     |                    | 1       | 30 |
| 7   | 504 02 77-01 | WASHER              |                    | 1       | 30 |
| 8   | 543 05 27-16 | WASHER              |                    | 1       | 30 |
| 9   | 588 92 64-02 | SPACER              |                    | 1       | 30 |
| 10  | 574 16 94-01 | HANDLE              |                    | 1       | 30 |
| 11  | 725 25 11-51 | SCREW EHHM          |                    | 1       | 30 |
| 12  | 574 39 84-01 | LID                 |                    | 1       | 30 |
| 13  | 543 05 27-50 | RETAINER RING       |                    | 1       |    |
| 14  | 543 05 27-44 | RETAINER RING       |                    | 1       |    |
| 15  | 543 05 27-71 | SEAL                |                    | 2       |    |
| 16  | 599 77 18-01 | SLEEVE              |                    | 2       | 1  |
| 17  | 543 05 29-23 | BUSHING             |                    | 1       |    |
| 18  | 599 77 23-01 | O-RING              | RDR47x1,5          | 2       |    |
| 19  | 543 05 29-24 | BUSHING             |                    | 1       |    |
| 20  | 534 19 02-01 | GEAR HOUSING        |                    | 1       |    |
| 21  | 534 13 72-01 | SCREW               | M5x40              | 1       |    |
| 22  | 534 13 73-01 | SCREW               | M5x20              | 3       |    |
| 23  | 599 76 98-01 | LEVER               | GEARSHIFT          | 1       |    |
| 24  | 543 05 27-32 | PIN                 |                    | 1       | 23 |
| 25  | 543 05 26-61 | SCREW               |                    | 1       |    |
| 26  | 543 05 27-11 | WASHER              |                    | 5       |    |
| 27  | 599 76 97-01 | GEARSHIFT LEVER     |                    | 1       |    |
| 28  | 598 73 19-01 | O-RING              |                    | 1       | 27 |
| 29  | 543 05 27-30 | PIN                 |                    | 1       | 27 |
| 30  | 590 86 97-01 | HANDLE SUPPORT ASSY |                    | 1       |    |
| 31  | 501 55 80-01 | NUT                 |                    | 1       |    |
| 32  | 502 49 65-04 | O-RING              |                    | 1       | 31 |
| 33  | 501 07 22-01 | HOSE ASSY           |                    | 1       |    |
| 34  | 576 12 97-01 | HOSE CLAMP          |                    | 2       | 33 |
| 35  | 581 89 36-01 | HOSE                |                    | 1       | 33 |
| 36  | 501 55 80-01 | NUT                 |                    | 1       | 33 |
| 37  | 505 10 35-01 | O-RING              |                    | 1       |    |
| 38  | 589 78 07-01 | STRAINER            |                    | 1       |    |
| 39  | 503 26 60-03 | COUPLER             | US                 | 1       |    |
| 39  | 503 26 60-04 | COUPLER             | ROW                | 1       |    |
| 40  | 575 87 22-01 | VACUUM SYSTEM       |                    | 1       |    |

**B** DM540i  
MOTOR

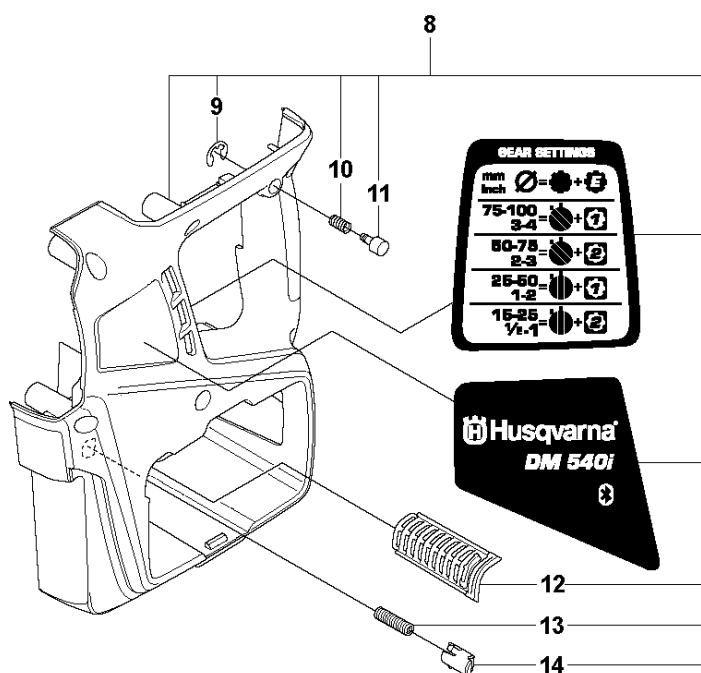
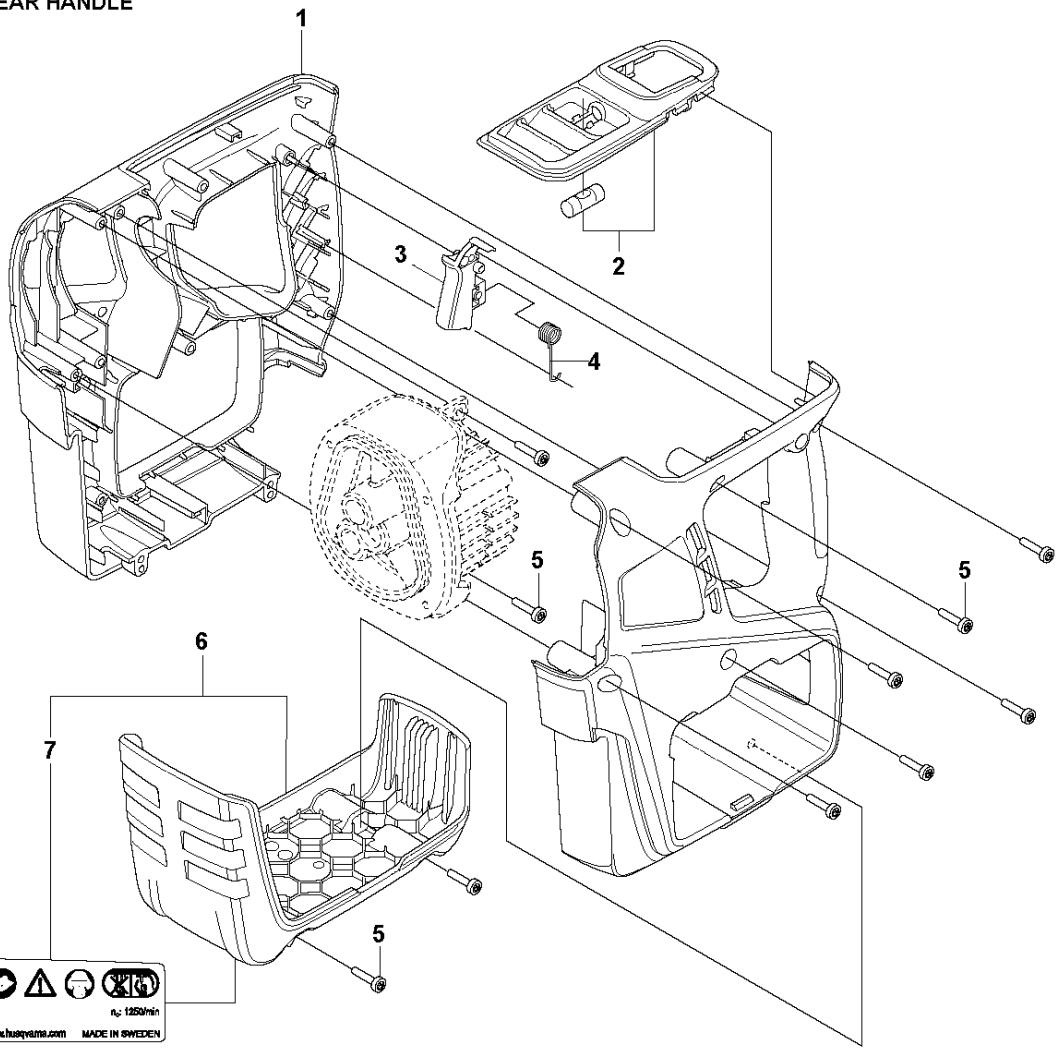


## MOTOR

DM540i, 2021-09

| Ref | Part No      | Description      | Remark          | QTY | KIT |
|-----|--------------|------------------|-----------------|-----|-----|
| 1   | 534 11 32-01 | MOTOR ASSY       | INCL PINION     | 1   |     |
| 2   | 534 15 02-01 | PARALLEL PIN     | 4m6x12          | 2   | 1   |
| 3   | 543 05 27-80 | O-RING           |                 | 1   | 1   |
| 4   | 543 05 27-91 | NEEDLE BEARING   |                 | 2   | 1   |
| 5   | 543 05 27-06 | HEXAGON NUT      |                 | 1   | 12  |
| 6   | 534 11 35-01 | GEAR WHEEL       | CLUTCH          | 1   |     |
| 7   | 534 11 34-01 | GEAR WHEEL SHAFT |                 | 1   |     |
| 8   | 543 05 27-89 | BALL BEARING     |                 | 1   |     |
| 9   | 599 77 31-01 | RETAINER RING    | AV18            | 1   |     |
| 10  | 534 11 33-01 | GEAR WHEEL       |                 | 1   |     |
| 11  | 543 05 27-69 | SEAL             |                 | 1   |     |
| 12  | 534 11 38-01 | CLUTCH ASSY      | SLIP CLUTCH KIT | 1   |     |

**C** DM540i  
REAR HANDLE

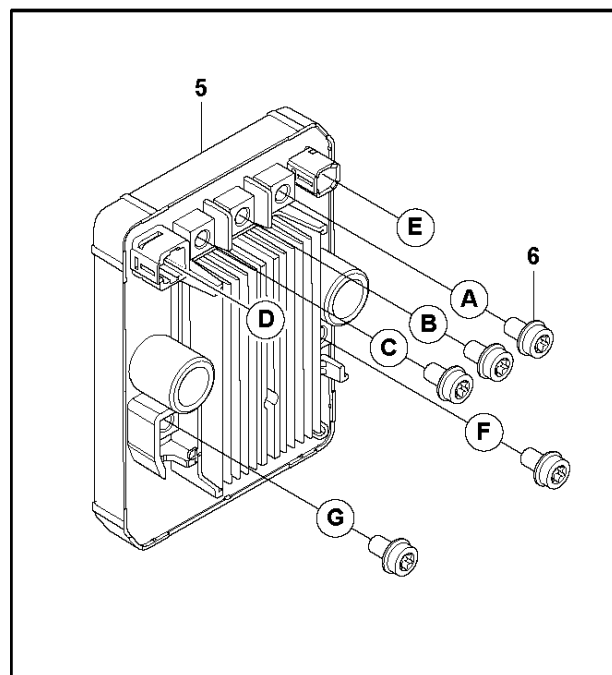
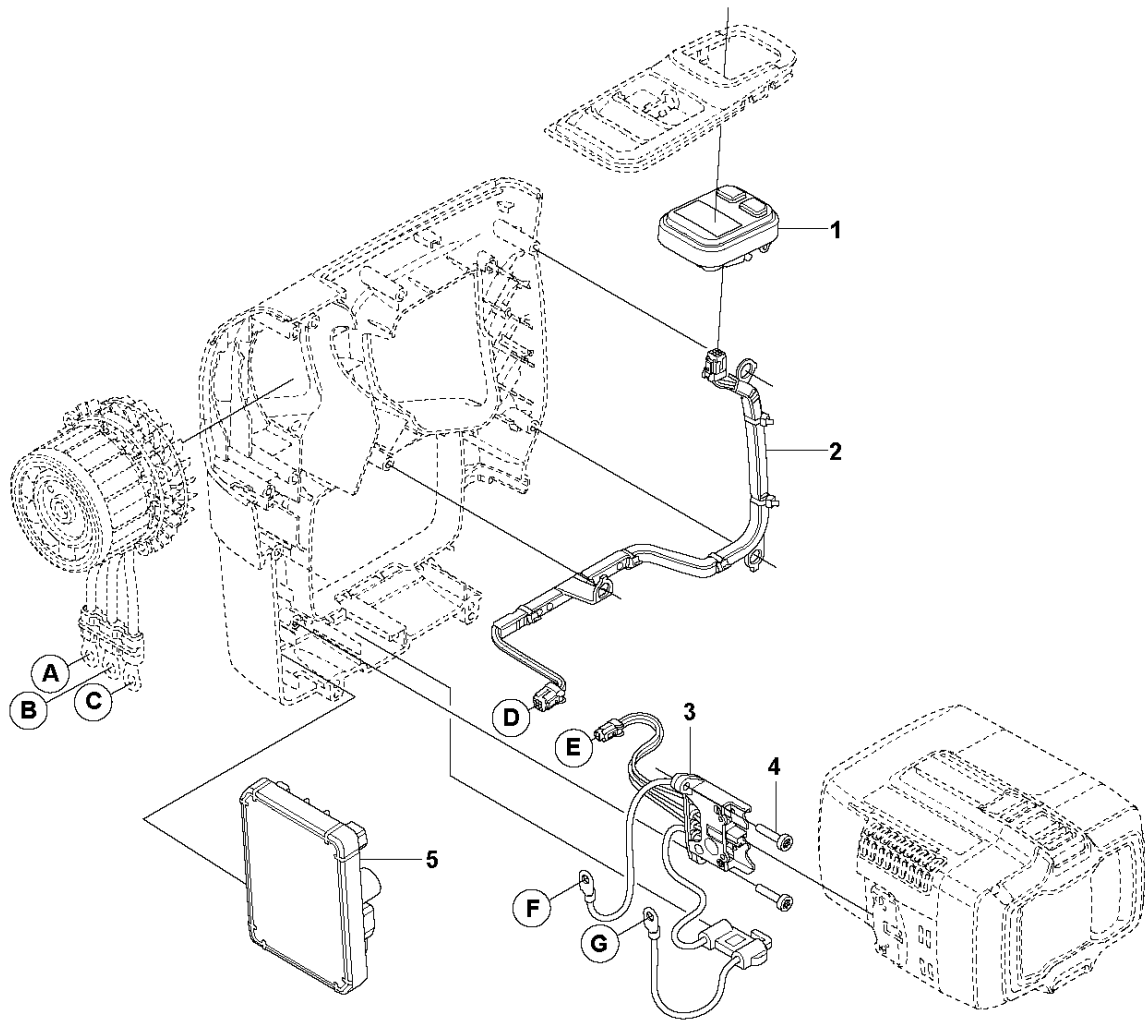


## REAR HANDLE

DM540i, 2021-09

| Ref | Part No      | Description  | Remark         | QTY | KIT |
|-----|--------------|--------------|----------------|-----|-----|
| 1   | 599 25 41-01 | HANDLE HALF  |                | 1   |     |
| 2   | 599 72 29-01 | AIR INTAKE   |                | 1   |     |
| 3   | 599 25 43-01 | TRIGGER      |                | 1   |     |
| 4   | 599 25 45-01 | SPRING       |                | 1   |     |
| 5   | 580 29 29-01 | SCREW ITXSCT |                | 9   |     |
| 6   | 534 11 36-01 | SKID PLATE   |                | 1   |     |
| 7   | 529 46 97-01 | DECAL        |                | 1   | 6   |
| 8   | 534 11 37-01 | HANDLE HALF  | With Bluetooth | 1   |     |
| 8   | 534 11 37-02 | HANDLE HALF  | w/o Bluetooth  | 1   |     |
| 9   | 735 31 07-20 | E-CLIP       |                | 1   | 8   |
| 10  | 599 73 46-01 | SPRING       |                | 1   | 8   |
| 11  | 599 71 93-01 | TRIGGER      |                | 1   | 8   |
| 12  | 599 47 40-01 | AIR INTAKE   |                | 1   | 8   |
| 13  | 585 48 00-01 | SPRING       |                | 1   | 8   |
| 14  | 577 99 66-01 | PUSH BUTTON  |                | 1   | 8   |

**D** DM540i  
ELECTRICAL



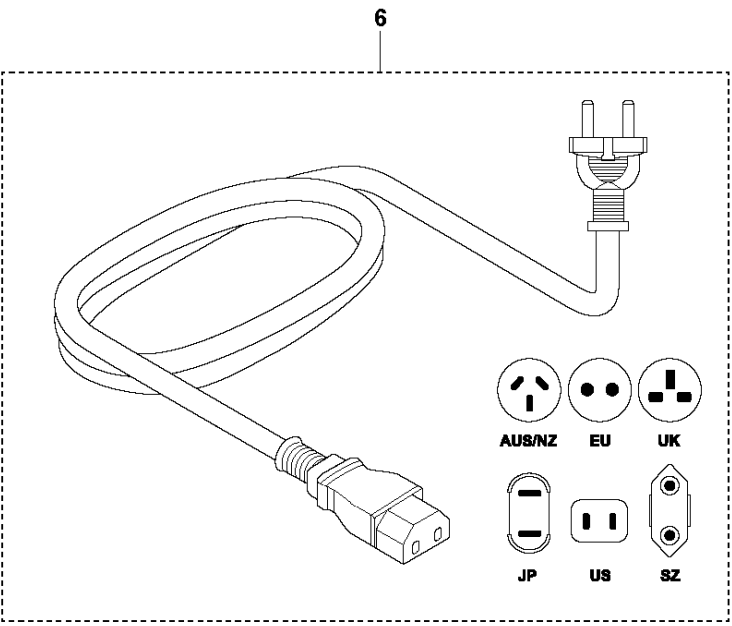
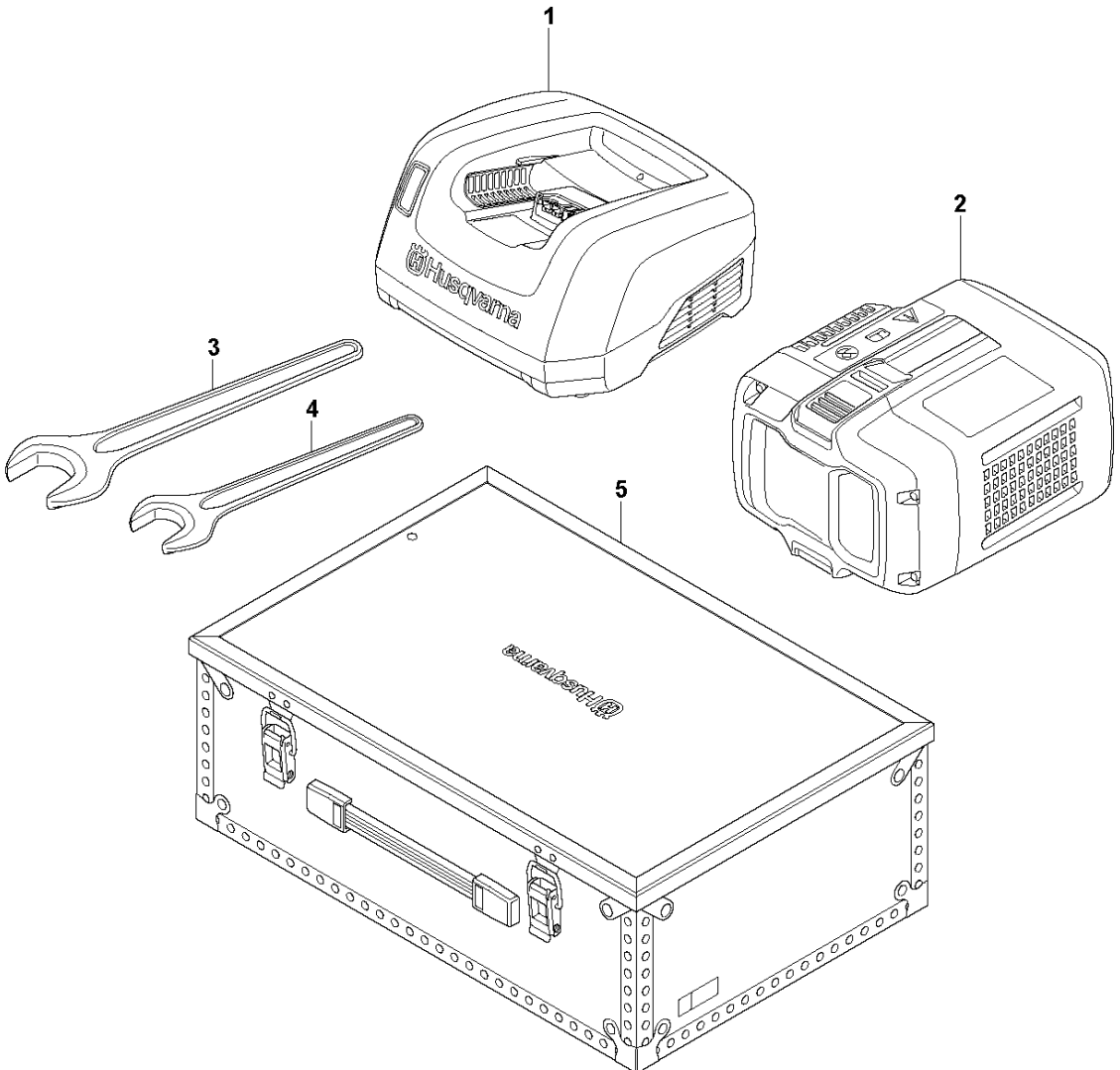


ELECTRICAL

DM540i, 2021-09

| Ref | Part No      | Description   | Remark         | QTY KIT |
|-----|--------------|---------------|----------------|---------|
| 1   | 599 35 35-01 | CONTROL PANEL | with Bluetooth | 1       |
| 1   | 599 35 36-01 | CONTROL PANEL | w/o Bluetooth  | 1       |
| 2   | 599 33 75-01 | WIRING ASSY   |                | 1       |
| 3   | 599 33 76-01 | WIRING ASSY   |                | 1       |
| 4   | 580 29 29-01 | SCREW ITXSCT  |                | 2       |
| 5   | 529 58 83-01 | CONTROL UNIT  |                | 1       |
| 6   | 525 75 51-11 | SCREW ITXSCFM |                | 5       |

**G** DM540i  
ACCESSORIES

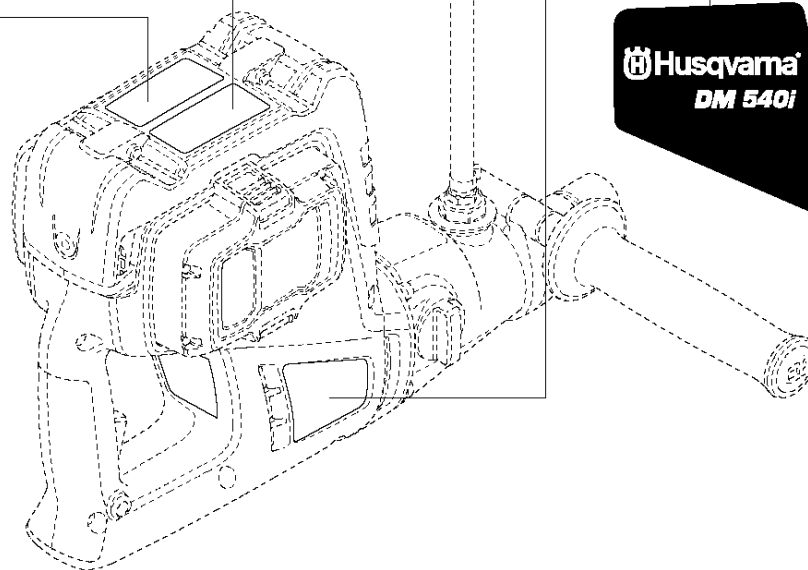
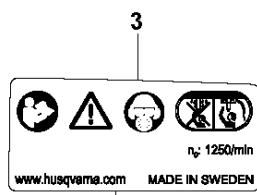
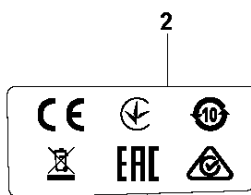
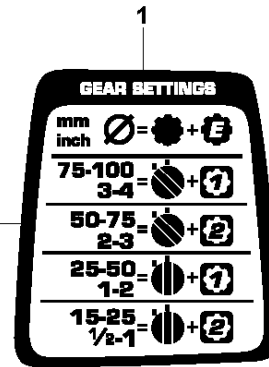
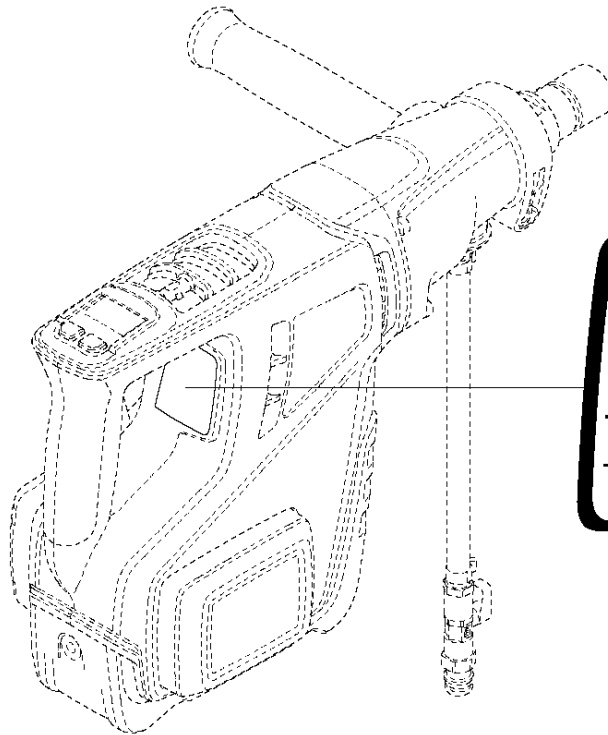


## ACCESSORIES

DM540i, 2021-09

| Ref | Part No      | Description     | Remark                                 | QTY KIT |
|-----|--------------|-----------------|--|---------|
| 1   | 967 96 49-01 | BATTERY CHARGER | QC330 EU                               | 1       |
| 1   | 967 96 49-03 | BATTERY CHARGER | QC330 US                               | 1       |
| 1   | 967 96 49-02 | BATTERY CHARGER | QC330 UK                               | 1       |
| 1   | 967 96 49-04 | BATTERY CHARGER | QC330 JP                               | 1       |
| 1   | 967 96 49-05 | BATTERY CHARGER | QC330 AU/NZ                            | 1       |
| 1   | 967 96 49-07 | BATTERY CHARGER | QC330 BR                               | 1       |
| 1   | 967 96 49-06 | BATTERY CHARGER | QC330 SZ                               | 1       |
| 1   | 967 96 50-04 | BATTERY CHARGER | QC500 JP                               | 1       |
| 1   | 967 96 50-03 | BATTERY CHARGER | QC500 US                               | 1       |
| 1   | 967 96 50-01 | BATTERY CHARGER | QC500 EU                               | 1       |
| 1   | 967 96 50-02 | BATTERY CHARGER | QC500 UK                               | 1       |
| 1   | 967 96 50-05 | BATTERY CHARGER | QC500 AU/NZ                            | 1       |
| 1   | 967 96 50-06 | BATTERY CHARGER | QC500 SZ                               | 1       |
| 2   | 967 96 41-01 | BATTERY         | Bli200 RoW                             | 1       |
| 2   | 967 96 41-02 | BATTERY         | Bli200 US/CA                           | 1       |
| 2   | 967 96 43-02 | BATTERY         | Bli300 US/CA                           | 1       |
| 2   | 967 96 43-01 | BATTERY         | Bli300 RoW                             | 1       |
| 3   | 531 14 09-52 | KEY             | 32mm                                   | 1       |
| 4   | 531 14 09-51 | KEY             | 24mm                                   | 1       |
| 5   | 534 11 39-01 | BOX             |  | 1       |
| 6   | 581 29 50-01 | MAINS CABLE     | QC330/QC500-CORD<br>330W/500W-AU/NZ    | 1       |
| 6   | 582 63 97-01 | WIRING ASSY     | QC330/QC500-CORD<br>330W/500W-SZ       | 1       |
| 6   | 579 13 04-01 | MAINS CABLE     | QC330/QC500-CORD<br>330W/500W-US       | 1       |
| 6   | 579 13 06-01 | MAINS CABLE     | QC330/QC500-CORD<br>330W/500W, 220V-UK | 1       |
| 6   | 578 08 19-01 | MAINS CABLE     | QC330/QC500-CORD<br>330W/500W, 220V-EU | 1       |
| 6   | 581 29 49-01 | MAINS CABLE     | QC330/QC500-CORD<br>330W/500W-JP       | 1       |

**F** DM540i  
DECALS



DECALS

DM540i, 2021-09

| Ref | Part No      | Description | Remark           | QTY KIT |
|-----|--------------|-------------|------------------|---------|
| 1   | 529 46 96-01 | DECAL       | Gear instruction | 1       |
| 2   | 529 57 13-01 | DECAL       | EU/RoW           | 1       |
| 3   | 529 46 97-01 | DECAL       |                  | 1       |
| 4   | 529 46 94-01 | DECAL       | With Bluetooth   | 1       |
| 4   | 529 46 94-02 | DECAL       | W/O Bluetooth    | 1       |