

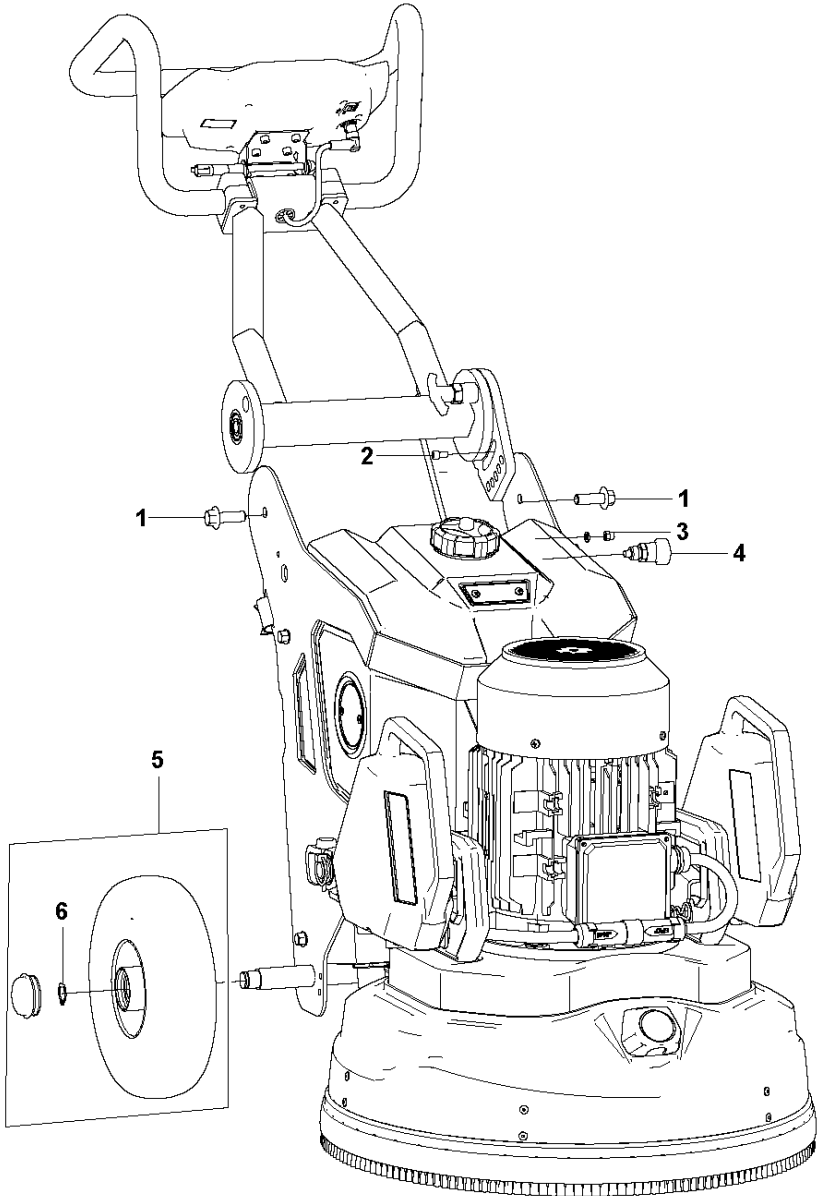


SPARE PARTS LIST

SURFACE PREPARATION EQUIPMENT

HTC T5, 967863615, 967863616,
967863617, 967863618, 967863619,
967863620, 967863621, 967863622

A DURATIQ T5
WHEELS & TIRES

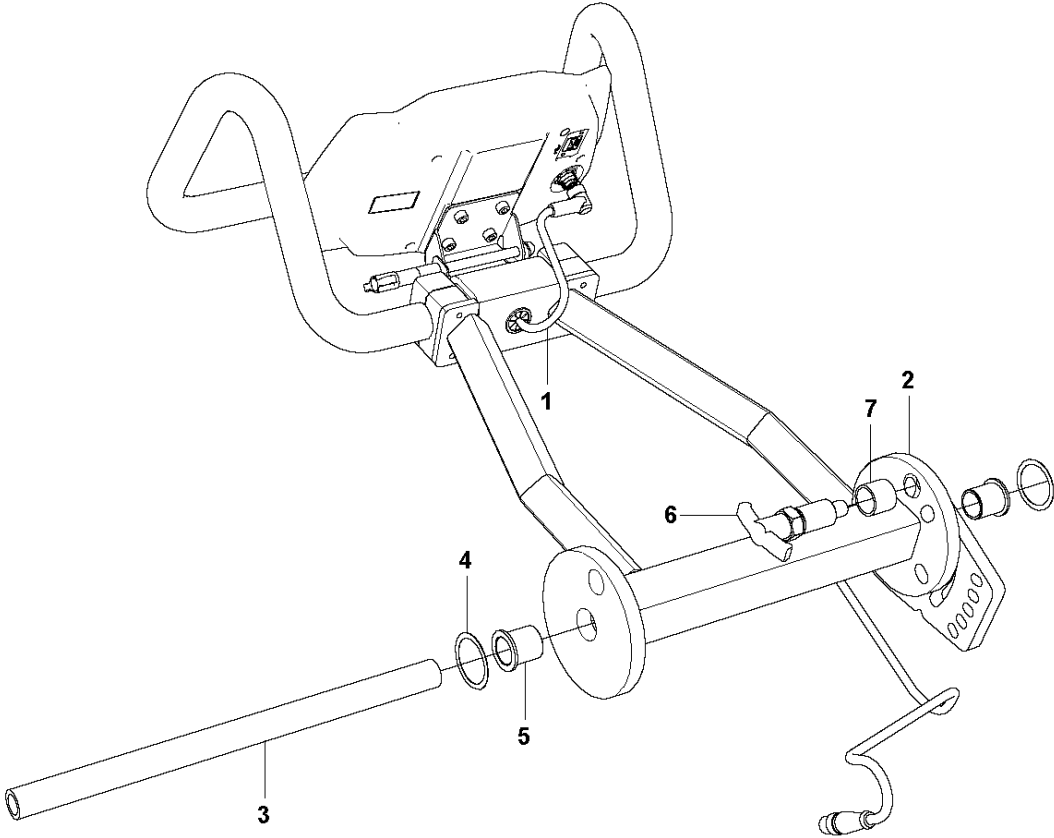


WHEELS & TIRES HTC T5, 967863615, 967863616, 967863617, 967863618, 967863619,
 967863620, 967863621, 967863622

Ref	Part No	Description	Remark	QTY KIT	
1	595 68 01-01	SCREW	SCREW M12x35	2	
2	593 49 73-01	SCREW	SCREW M6X12	1	
3	595 68 31-01	NUT	NUT M6	1	
3	593 49 60-01	WASHER	WASHER M6	1	
4	593 45 68-01	PISTON	LEVER INDEXING PLUNGER M16x1.5	1	
5	593 46 87-01	WHEEL	WHEEL HTC 500 GREY	2	
6	593 49 63-01	CIRCLIP	CIRCLIP EXTERNAL 20X1.2	1	5

PULL HANDLE ASSY HTC T5, 967863615, 967863616, 967863617, 967863618, 967863619,
967863620, 967863621, 967863622

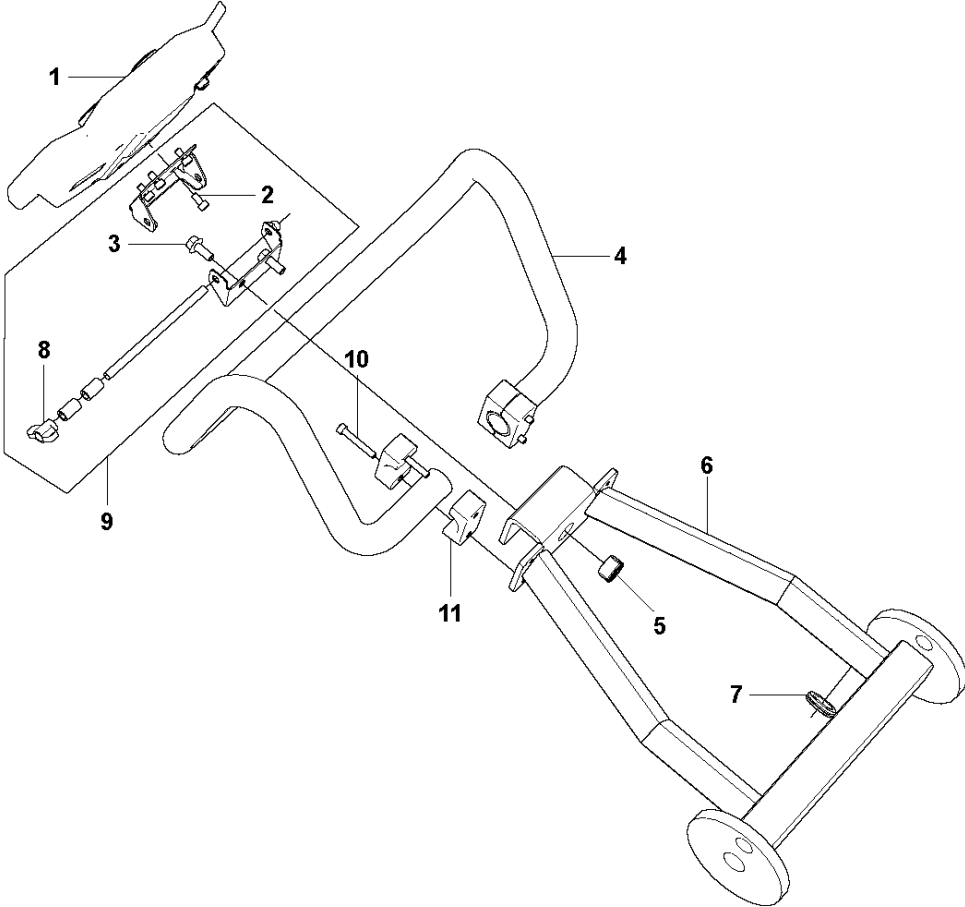
B DURATIQ T5
PULL HANDLE ASSY



PULL HANDLE ASSY HTC T5, 967863615, 967863616, 967863617, 967863618, 967863619,
 967863620, 967863621, 967863622

Ref	Part No	Description	Remark	QTY KIT
1	595 73 13-01	CABLE	HMI CABLE	1
2	595 76 37-01	ADJUSTMENT DISC	ADJUSTMENT PLATE T5	1
3	595 71 63-01	HANDLE	HANDLE SHAFT T5	1
4	595 66 20-01	SPRING	WAVE SPRING WASHER IØ33,5	2
5	593 48 61-01	BEARING	FLANGED BEARING 20x30x26	2
6	595 66 31-01	LEVER	LEVER INDEXING PLUNGER Ø12 M20	1
7	595 76 41-01	DISTANCE	7 DISTANCE SLEEVE	1

C DURATIQ T5
HANDLE & CONTROLS

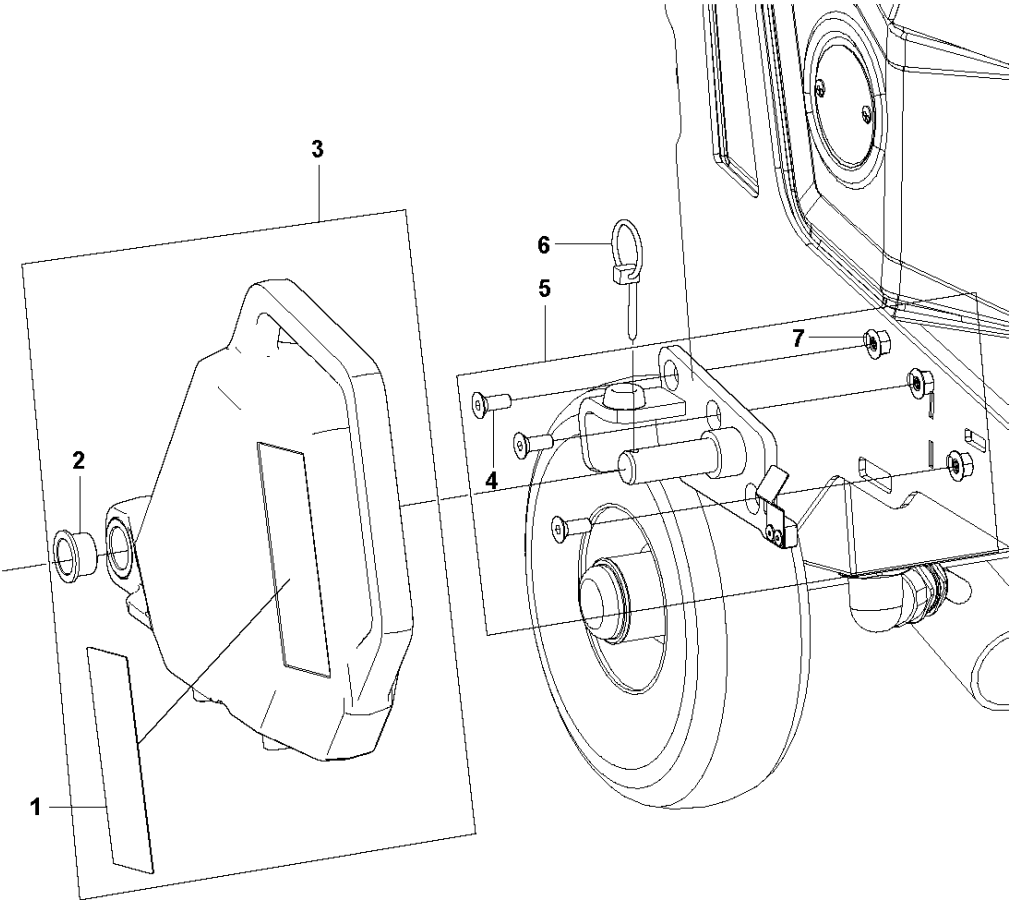


HANDLE & CONTROLS HTC T5, 967863615, 967863616, 967863617, 967863618, 967863619, 967863620, 967863621, 967863622

Ref	Part No	Description	Remark	QTY KIT
1	595 72 09-01	CONTROL PANEL	CONTROL PANEL 3,5" COMPLETE	1
2	593 49 54-01	SCREW	SCREW M6X10	4
3	593 51 35-01	SCREW	SCREW M8x20	2
4	595 71 64-01	HANDLE	HANDLE BAR T5	1
5	595 66 54-01	GROMMET	GROMMET Ø22	1
6	595 76 38-01	HANDLE	HANDLE ARM T5	1
7	593 47 69-01	CABLE	CABLE ENTRY GLAND	1
8	593 48 63-01	KNOB	WING KNOB M8	1
9	510209	TBD	CONTROL PANEL BRACKET KIT POS 2 & 3 NOT INCLUDED	1
10	593 63 03-01	SCREW	SCREW M6X40	1
11	593 45 67-01	PIPE CLAMP	PIPE CLAMP ALU	2

WEIGHT ASSY HTC T5, 967863615, 967863616, 967863617, 967863618, 967863619, 967863620, 967863621, 967863622

D DURATIQ T5
WEIGHT ASSY

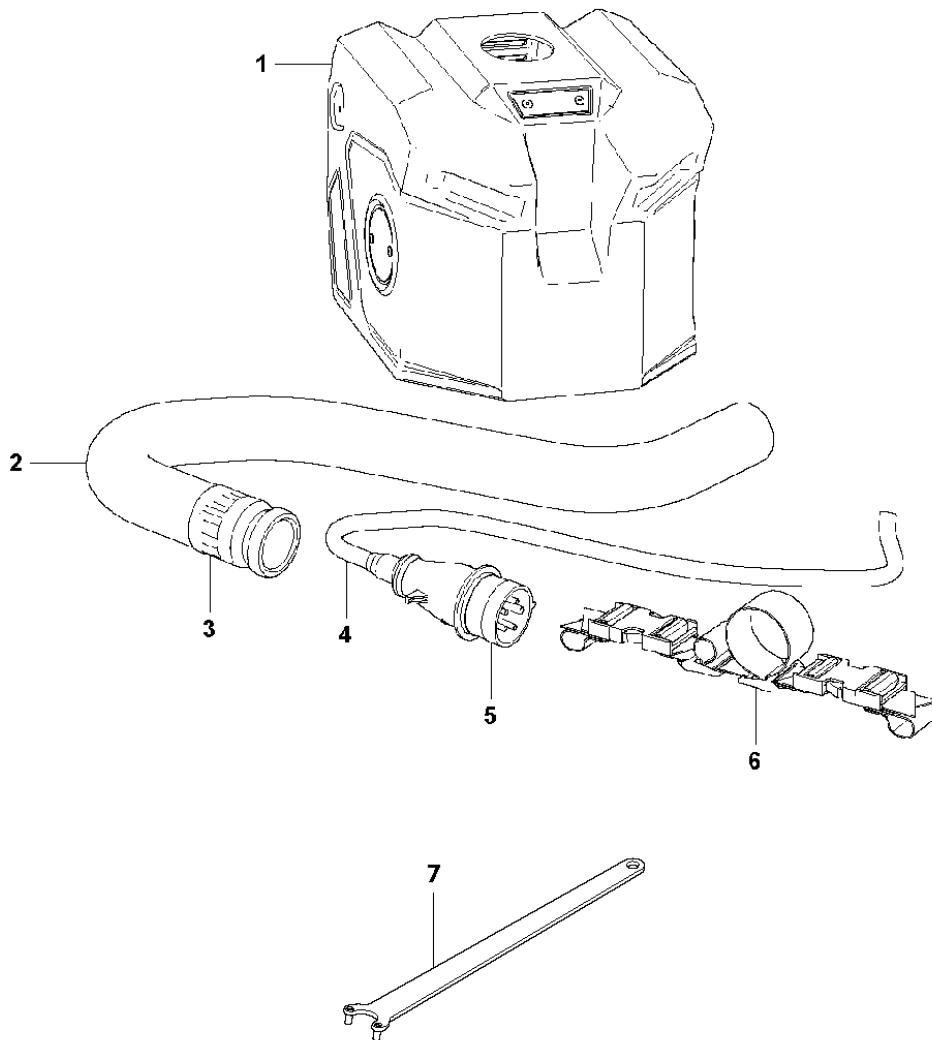


WEIGHT ASSY HTC T5, 967863615, 967863616, 967863617, 967863618, 967863619, 967863620, 967863621, 967863622

Ref	Part No	Description	Remark	QTY	KIT
2	595 66 32-01	BEARING	FLANGED BEARING 20x30x24	2	3
3	595 72 27-02	WEIGHT	WEIGHT ARM T5 COMPLETE	1	
4	593 50 49-01	SCREW	SCREW M8X20	3	5
5	595 72 23-01	WEIGHT	WEIGHT BRACKET KIT T5	1	
6	595 66 33-01	LOCKING PIN	LOCKING PIN 4,5MM ZP	1	
7	593 50 49-01	SCREW	NUT M8	3	5

CONNECTING PARTS HTC T5, 967863615, 967863616, 967863617, 967863618, 967863619,
967863620, 967863621, 967863622
CONNECTING PARTS Duratiq T5, 967863605, 967863601, 967863606, 967863602, 967863610,
967863609, 967863607, 967863603, 967863608, 967863604, 2019-01

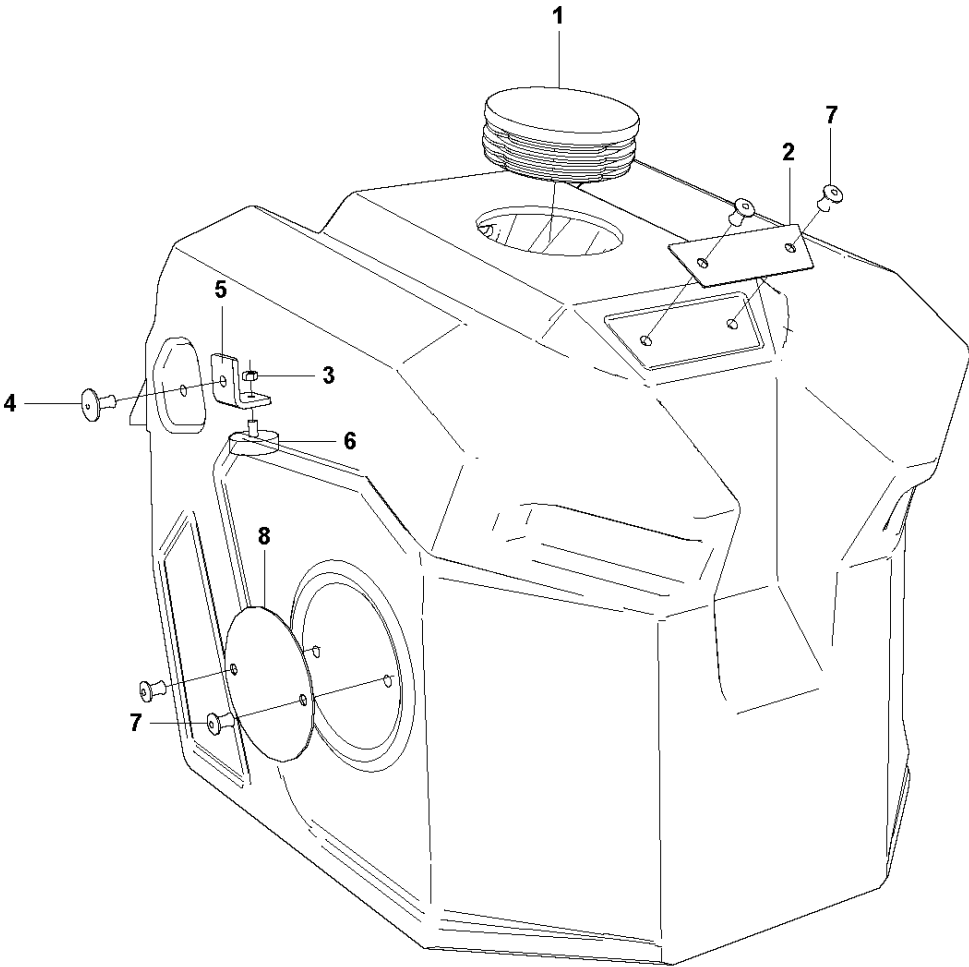
E DURATIQ T5
CONNECTING PARTS



CONNECTING PARTS HTC T5, 967863615, 967863616, 967863617, 967863618, 967863619,
967863620, 967863621, 967863622

Ref	Part No	Description	Remark	QTY KIT
1	595 72 18-02	COVER	MACHINE COVER T5 COMPLETE	1
2	593 47 85-01	HOSE	HOSE 2" PU ANTISTATIC BLACK 113. 0.8m	1
3	593 46 04-01	HOSE NIPPLE	CAMLOCK MALE 2"	1
4	595 73 11-01	CABLE	POWER CABLE 16A	1
4	595 73 12-01	CABLE	POWER CABLE 30A	1
5	595 74 78-01	PLUG	PLUG 20A 3P 1X200V	1
5	595 74 77-01	CONNECTOR	CONNECTOR 20A 3P 1X200V	1
5	593 55 76-01	PLUG	PLUG 30A 4P 1/3X200V	1
5	593 55 71-01	CONNECTOR	CONNECTOR 30A 4P 3X250V	1
5	593 58 47-01	PLUG	PLUG 20A 5P 3X400V	1
5	593 56 06-01	CONNECTOR	CONNECTOR 20A 5P 3X400V	1
5	593 58 46-01	PLUG	PLUG 20A 5P 3X480V	1
5	593 56 08-01	CONNECTOR	CONNECTOR 20A 5P 3X480V	1
6	593 53 67-01	STRAP	HOSE GUIDE ASSEMBLY	1
7	593 63 27-01	SERVICE TOOLS		1

F DURATIQ T5
DECALS

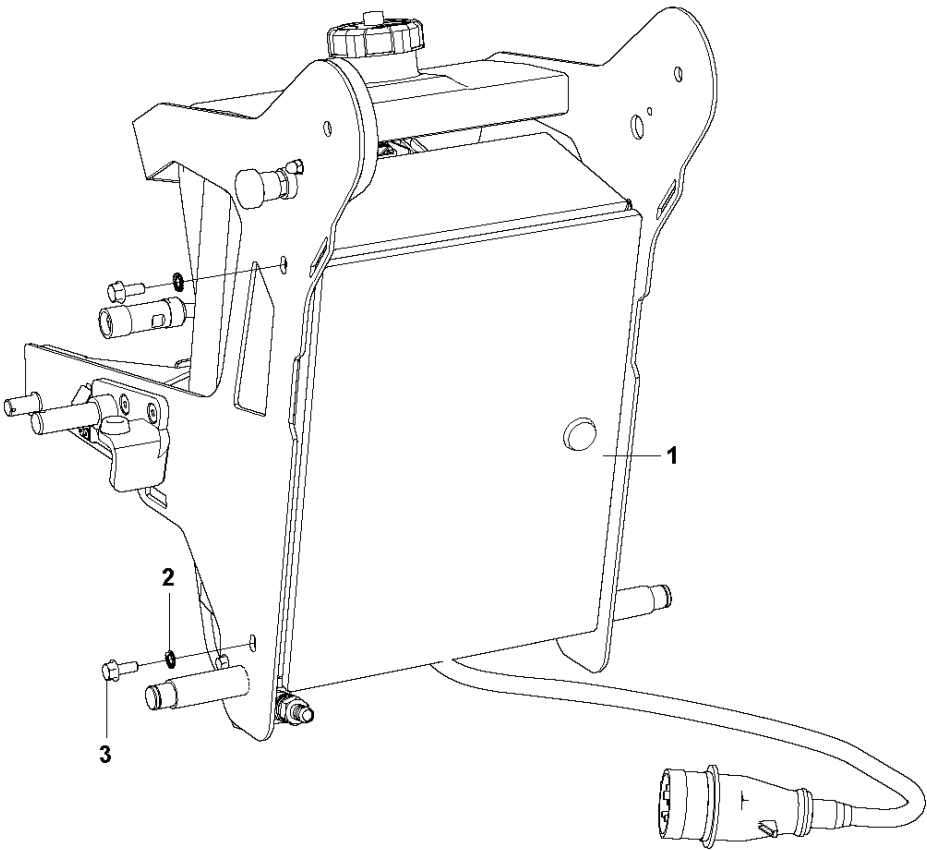


DECALS HTC T5, 967863615, 967863616, 967863617, 967863618, 967863619, 967863620, 967863621, 967863622

Ref	Part No	Description	Remark	QTY KIT
1	595 63 98-01	TUBING	TUBING PLUG Ø75	1
2	529 50 74-01	DECAL	DECAL T5	1
3	595 68 38-01	LOCK	COUNTER NUT M4	2
4	593 51 47-01	RIVET	BLIND RIVET 4.8X16 BLACK	2
5	511034	TBD	MAGNET HOLDER	2
6	593 49 21-01	MAGNET	MAGNET Ø25X7 M4	2
7	593 51 46-01	RIVET	BLIND RIVET 4.8X12 BLACK	6
8	529 50 72-01	DECAL	DECAL HTC LOGO Ø73	2

POWER UNIT HTC T5, 967863615, 967863616, 967863617, 967863618, 967863619, 967863620, 967863621, 967863622

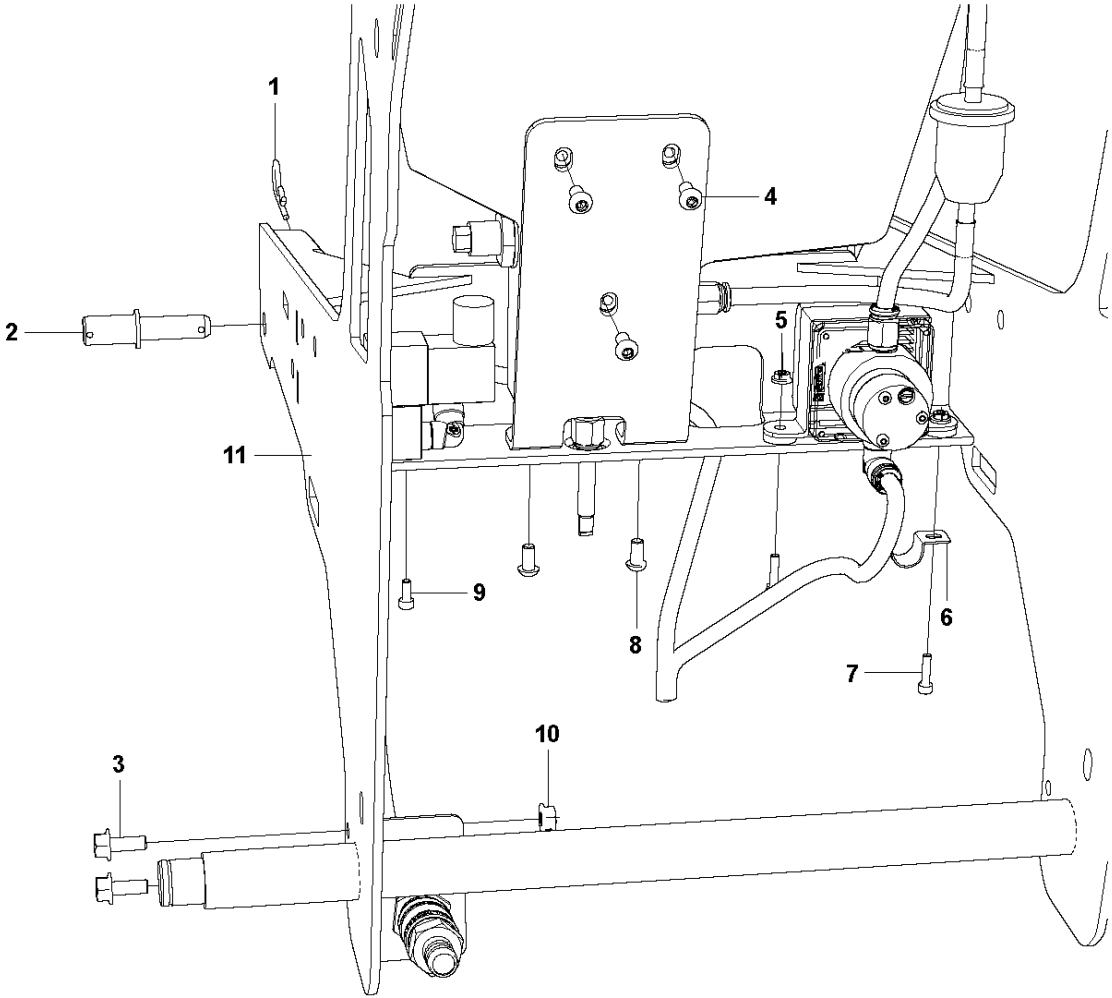
G DURATIQ T5
POWER UNIT



POWER UNIT HTC T5, 967863615, 967863616, 967863617, 967863618, 967863619, 967863620, 967863621, 967863622

Ref	Part No	Description	Remark	QTY KIT
1	595 77 36-01	POWER UNIT	POWER UNIT 1x200V 2.2 kW	1
1	595 73 19-01	POWER UNIT	POWER UNIT 1X200V 4 kW	1
1	595 73 06-01	POWER UNIT	POWER UNIT 3X200V 4 kW	1
1	595 77 37-01	POWER UNIT	POWER UNIT 3x400V 4 kW	1
2	593 51 11-01	LOCKWASHER	SERRATED LOCK WASHER M8	4
3	593 51 35-01	SCREW	SCREW M8x20	4

H DURATIQ T5
CHASSIS / FRAME

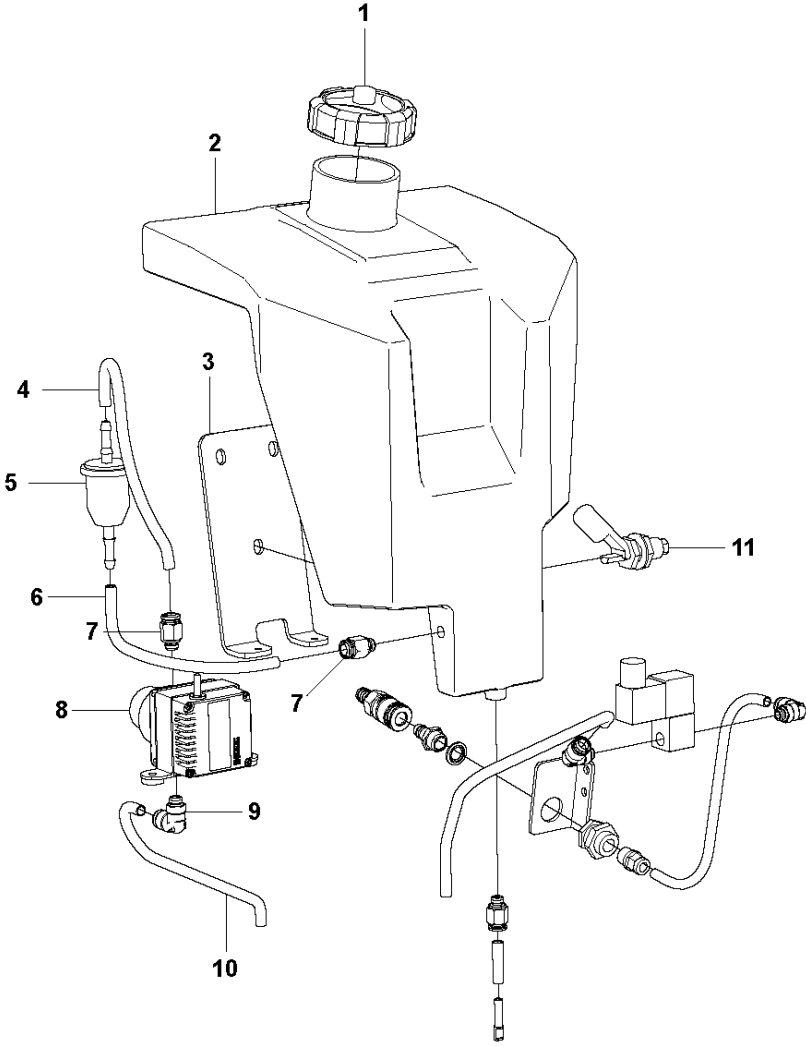


CHASSIS / FRAME HTC T5, 967863615, 967863616, 967863617, 967863618, 967863619,
967863620, 967863621, 967863622

Ref	Part No	Description	Remark	QTY KIT
1	593 51 08-01	CLIP	R-CLIP 3MM	2
2	595 76 34-01	AXLE	SHAFT CHASSIS/GR.HEAD T5	2
3	595 68 02-01	SCREW	SCREW M6x16	2
4	595 68 37-01	SCREW	SCREW M5X12	3
5	595 68 38-01	LOCK	NUT M4	2
6	595 80 30-01	CLAMP	METAL TUBE CLAMP JR14	1
7	593 50 64-01	SCREW	SCREW M16x55	2
8	595 68 37-01	SCREW	SCREW M5X12	2
9	593 50 89-01	SCREW	SCREW M4X10	2
10	593 58 27-01	LOCK NUT	LOCK NUT M6 3429 2	2
11	595 76 36-01	CHASSIS		1

WATER TANK HTC T5, 967863615, 967863616, 967863617, 967863618, 967863619, 967863620, 967863621, 967863622

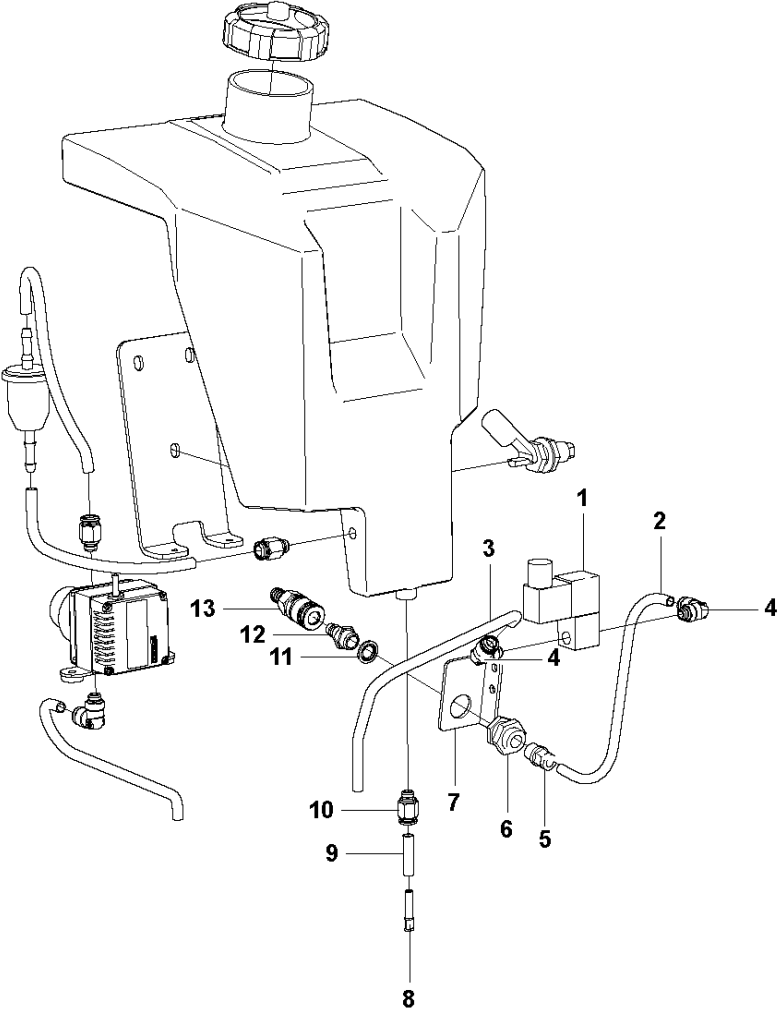
**DURATIQ T5
WATER TANK**



WATER TANK HTC T5, 967863615, 967863616, 967863617, 967863618, 967863619, 967863620, 967863621, 967863622

Ref	Part No	Description	Remark	QTY KIT
1	595 66 57-01	WATER TANK	WATER TANK CAP T5	1
2	595 76 53-01	WATER TANK	WATER TANK T5	1
3	595 76 49-01	BRACKET	WATER TANK BRACKET T5	1
4	593 48 87-01	HOSE	HOSE Ø8/6. 0.27m	1
5	593 49 13-01	PREFILTER	WATER PRE FILTER	1
6	593 48 87-01	HOSE	HOSE Ø8/6. 0.12m	1
7	593 48 82-01	CONNECTOR	CONNECTOR RED STRAIGHT	2
8	593 48 85-01	PUMP	MIST PUMP	1
9	593 48 83-01	CONNECTOR	CONNECTOR RED ELBOW	1
10	593 48 87-01	HOSE	HOSE Ø8/6. 0.66m	1
11	595 65 96-01	SWITCH	WATER LEVEL SWITCH	1

J DURATIQ T5
VALVES

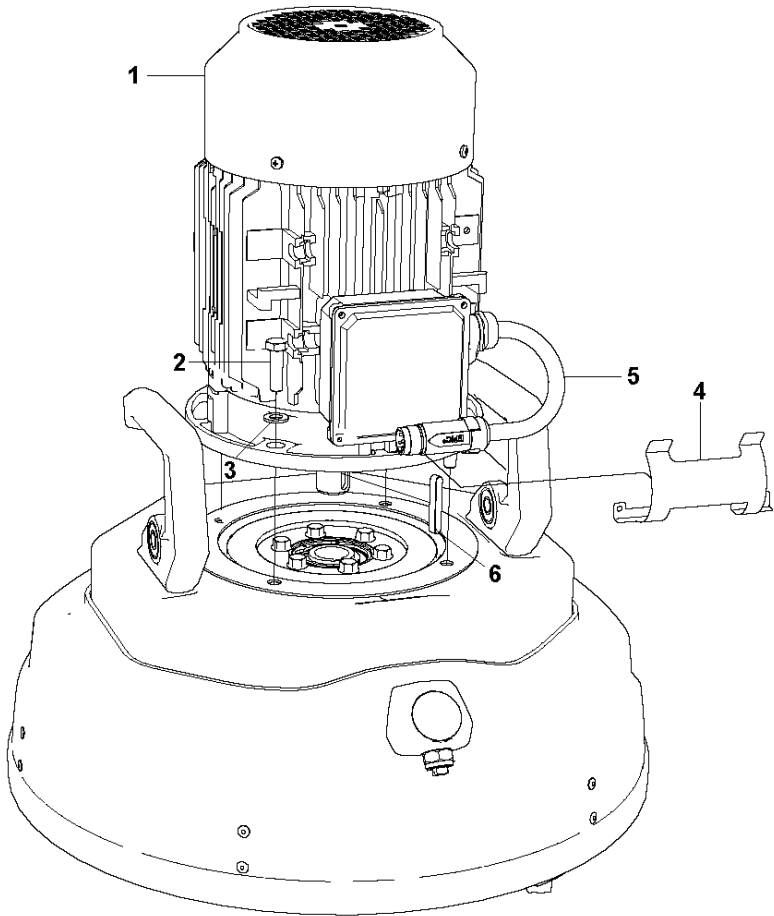


VALVES HTC T5, 967863615, 967863616, 967863617, 967863618, 967863619, 967863620, 967863621, 967863622

Ref	Part No	Description	Remark	QTY KIT
1	593 49 10-01	VALVE	WATER VALVE 24VDC	1
2	593 48 87-01	HOSE	HOSE Ø8/6. 0.27m	1
3	593 48 87-01	HOSE	HOSE Ø8/6. 0.66m	1
4	593 48 84-01	CONNECTOR	CONNECTOR BLK ELBOW	2
5	593 48 89-01	CONNECTOR	CONNECTOR BLK STRAIGHT	1
6	593 48 88-01	CONNECTOR	CONNECTOR BULKHEAD	1
7	595 71 66-01	WATER CONNECTOR	WATER CONNECTION BRACKET	1
8	593 48 86-01	CONNECTOR	CONNECTOR RED PLUG Ø6	1
9	593 48 87-01	HOSE	HOSE Ø8/6. 0.12m	1
10	593 48 82-01	CONNECTOR	CONNECTOR RED STRAIGHT	1
11	595 66 18-01	SEAL	SEAL WASHER M12	1
12	593 48 91-01	CONNECTOR	CONNECTOR QUICK MALE	1
13	593 48 92-01	CONNECTOR	CONNECTOR QUICK FEMALE	1

MOTOR HTC T5, 967863615, 967863616, 967863617, 967863618, 967863619, 967863620, 967863621, 967863622

K DURATIQ T5
MOTOR



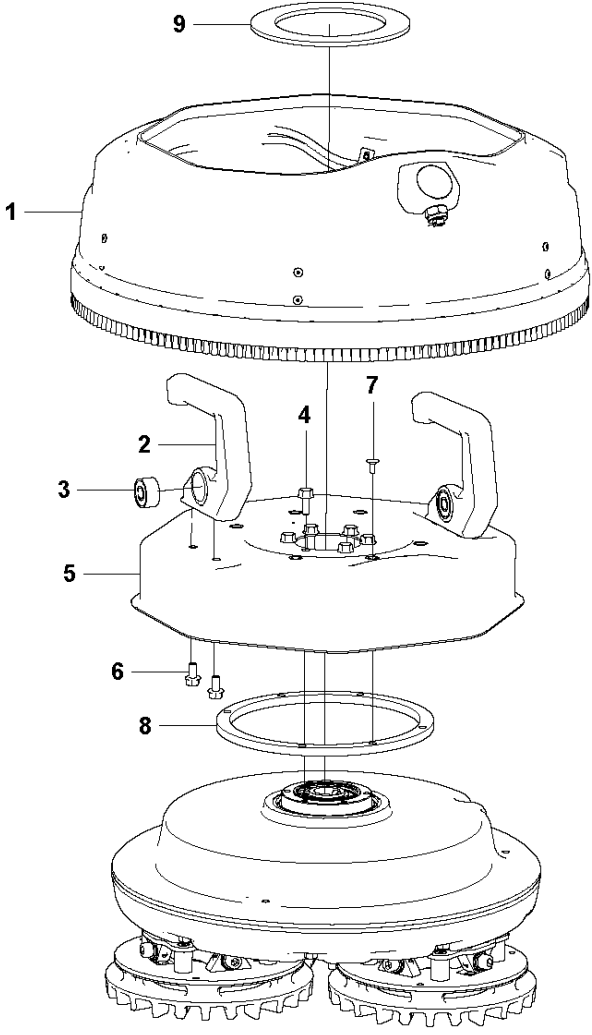
MOTOR HTC T5, 967863615, 967863616, 967863617, 967863618, 967863619, 967863620, 967863621, 967863622

Ref	Part No	Description	Remark	QTY KIT
1	595 74 79-01	MOTOR	MOTOR 2.2kW 4P 230/400V UL	1
1	595 74 80-01	MOTOR	TOR 4kW 4P 230/400V UL	1
2	593 49 56-01	SCREW	SCREW M10X35	4
3	593 49 91-01	WASHER	WASHER M10	4
4	597 62 01-01	CLIP	CLIP 25-27	1
5	595 73 09-01	CABLE	CABLE MOTOR 16A MOTOR SIDE	1
6	593 45 37-01	WEDGE	WEDGE 8x7x50	1

GRINDING COVER

HTC T5, 967863615, 967863616, 967863617, 967863618, 967863619, 967863620, 967863621, 967863622

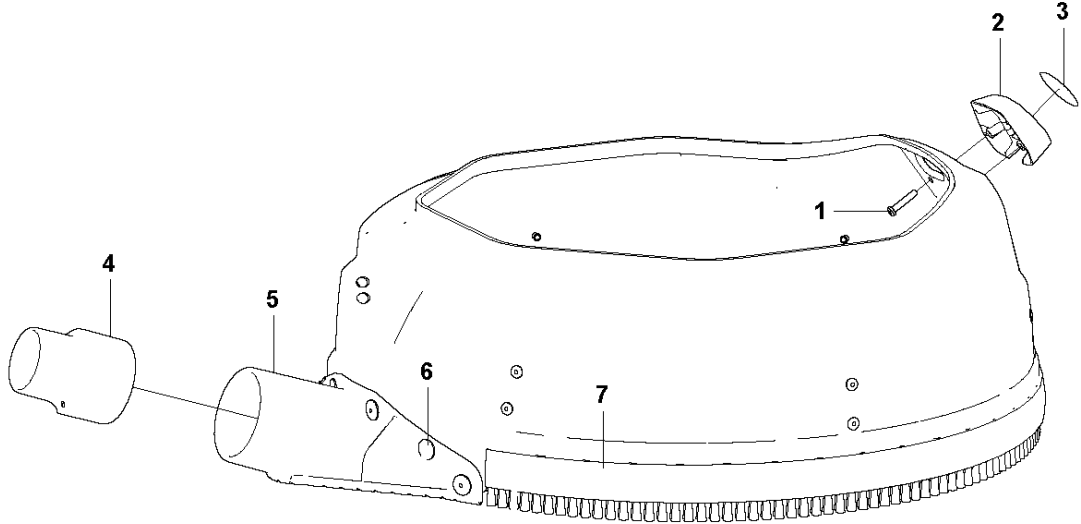
L DURATIQ T5
GRINDING COVER



GRINDING COVER HTC T5, 967863615, 967863616, 967863617, 967863618, 967863619,
 967863620, 967863621, 967863622

Ref	Part No	Description	Remark	QTY KIT
1	595 72 30-02	COVER	GRINDING COVER T5 WATER CMPL.	1
1	595 72 32-02	COVER	GRINDING COVER T5 CMPL	1
2	595 72 24-01	HANDLE	HANDLE COMPL. INCL POS 3	2
3	596 64 55-01	BUSHING	BUSHING	2
4	593 51 35-01	SCREW	SCREW M8X20	6
5	597 79 46-01	COVER	GRINDING COVER GUIDE COMPL.	1
6	593 96 40-01	SCREW	SCREW M8X1	4
7	597 62 04-01	SCREW		1
8	597 60 42-01	RING		1
9	595 72 34-01	MOTOR		1

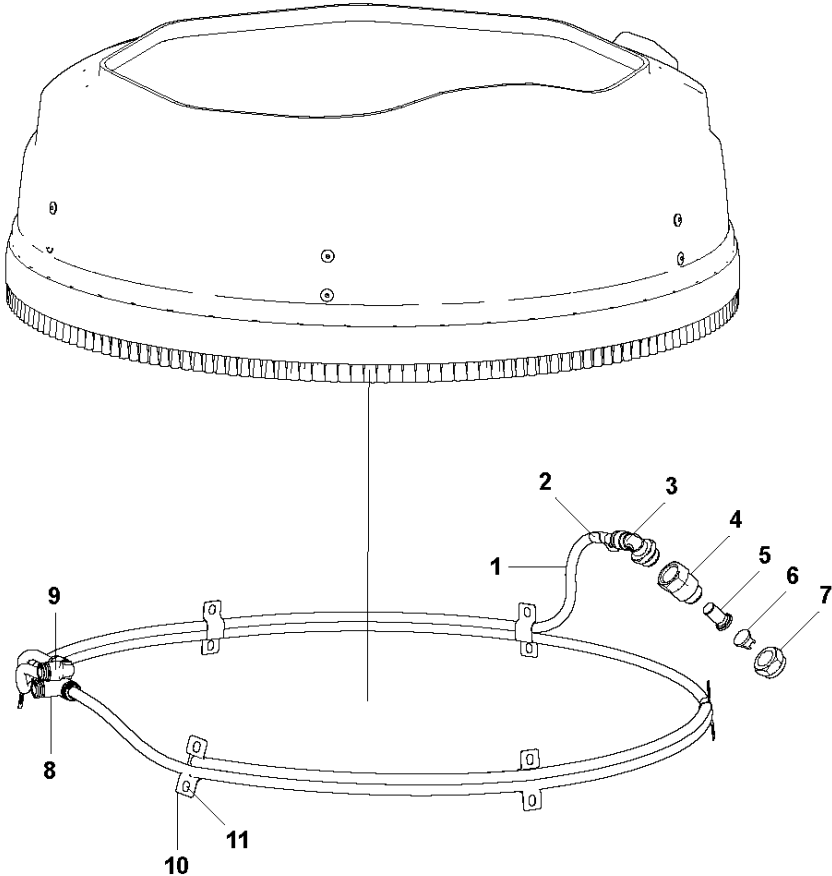
M DURATIQ T5
CONNECTING PARTS



CONNECTING PARTS HTC T5, 967863615, 967863616, 967863617, 967863618, 967863619,
 967863620, 967863621, 967863622

Ref	Part No	Description	Remark	QTY KIT
1	593 51 49-01	SCREW	SCREW 5.0X25	2
2	593 54 22-01	BRACKET	MIST BRACKET	1
3	593 49 31-02	DECAL	DECAL HTC LOGO Ø40	1
4	595 71 98-01	ADAPTER	VAC NOZZLE ADAPTOR	1
5	593 53 94-01	NOZZLE	VAC NOZZLE 3"	1
6	593 51 47-01	RIVET	BLIND RIVET 4.8X1BLACK	6
7	595 65 86-02	BRUSH	BRUSH STRIP1 1.5m	1

N DURATIQ T5
MIST SYSTEM

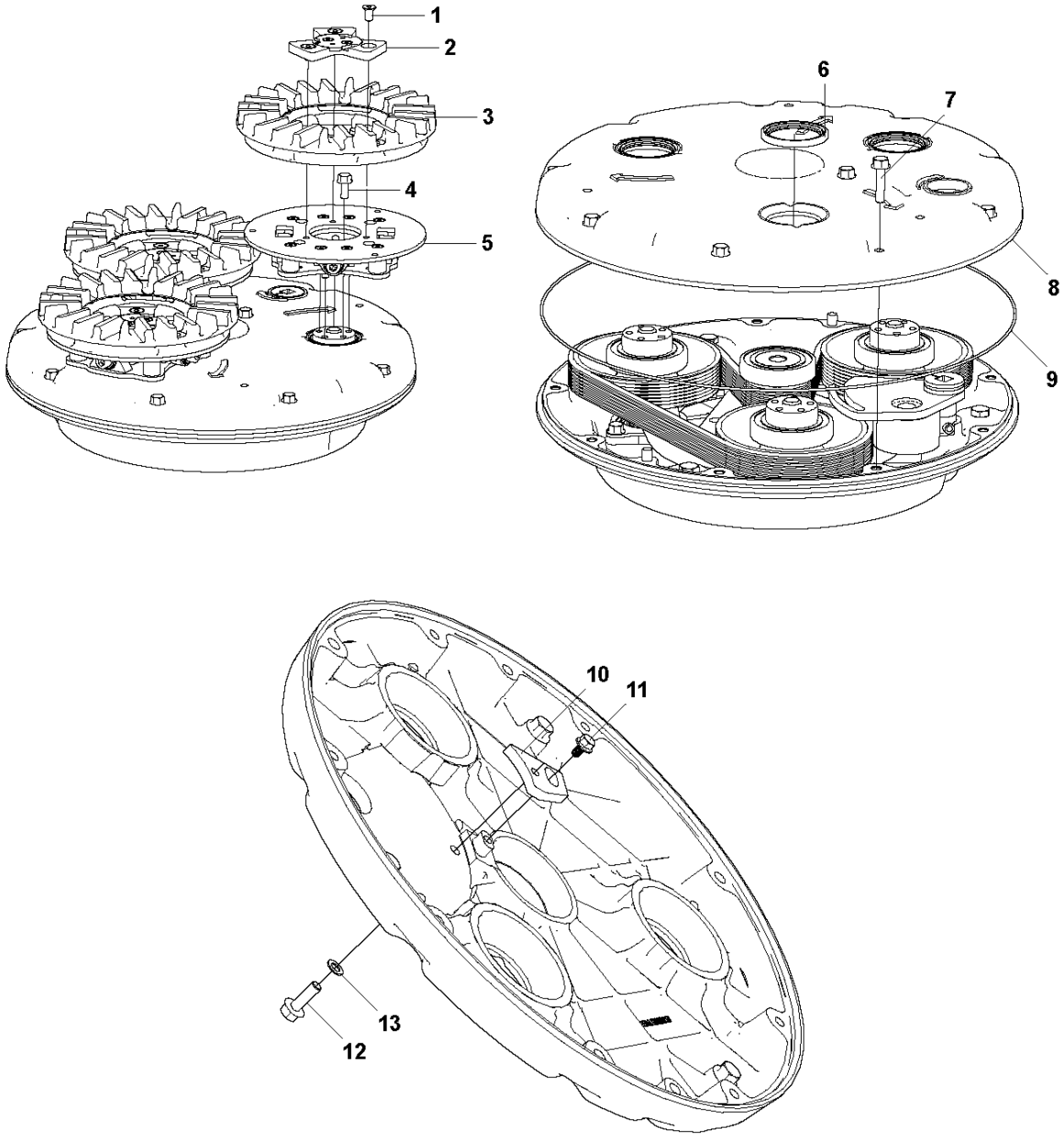


MIST SYSTEM HTC T5, 967863615, 967863616, 967863617, 967863618, 967863619, 967863620, 967863621, 967863622

Ref	Part No	Description	Remark	QTY KIT
1	595 72 31-01	HOSE	MIST HOSE	1
2	593 39 65-01	CABLE CLAMP	METAL TUBE CLAMP JR10	1
3	593 48 98-01	CONNECTOR	CONNECTOR RED ELBOW 8MM - 3/8M	1
4	593 61 73-01	EXTENSION JOINT	MIST EXTENSION	1
5	593 48 99-01	FILTER	MIST FILTER, 100 MESH	1
6	595 66 60-01	NOZZLE	MIST NOZZLE	1
7	593 49 01-01	NUT	MIST NUT G3/8 SS	1
8	593 48 95-01	CONNECTOR	CONNECTOR BLACK TEE 3 x 8MM	1
9	593 48 97-01	CONNECTOR	CONNECTOR RED ELBOW 8MM - 8MM	1
10	595 74 60-01	CLIP	CLIP 2XØ8MM	6
11	593 51 46-01	RIVET	BLIND RIVET 4.8X12	12

GRINDING HEAD LOWER HTC T5, 967863615, 967863616, 967863617, 967863618, 967863619, 967863620, 967863621, 967863622

**DURATIQ T5
GRINDING HEAD LOWER**

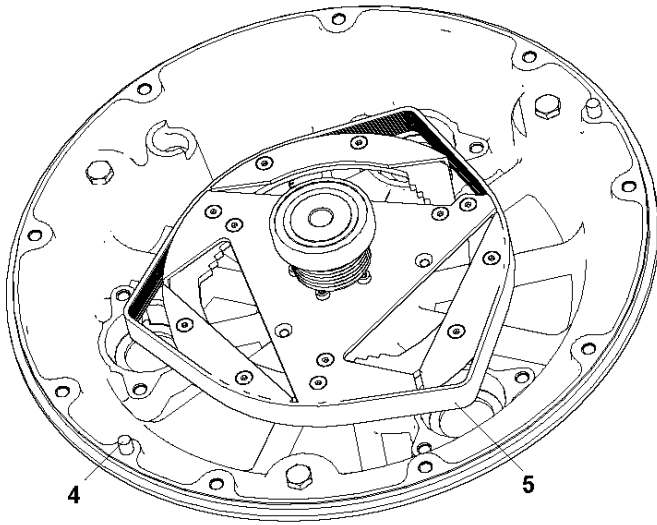
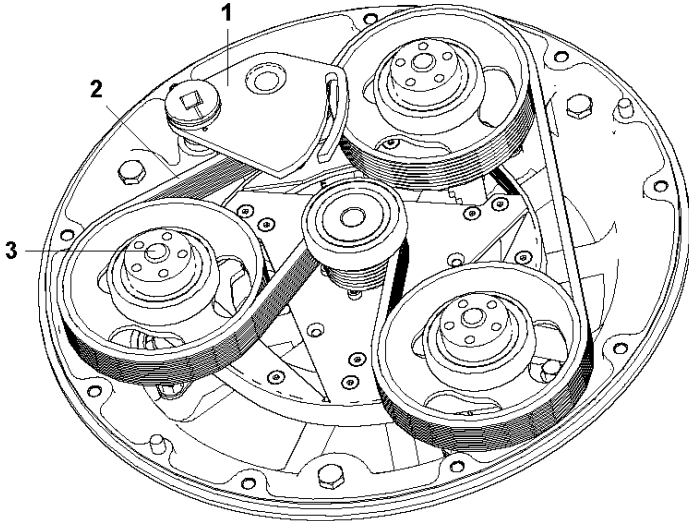


GRINDING HEAD LOWER HTC T5, 967863615, 967863616, 967863617, 967863618, 967863619, 967863620, 967863621, 967863622

Ref	Part No	Description	Remark	QTY KIT
1	593 50 78-01	SCREW	SCREW M6X16	9
2	593 61 59-01	CROSS MEMBER	CROSS COMPLETE INCL. POS 1.	3
3	593 31 93-02	TOOL HOLDER	TOOL HOLDER EZ AIRFLOW Ø230	3
3	593 31 91-03	TOOL	TOOL HOLDER EZ Ø230	3
4	593 51 35-01	SCREW	SCREW M8X20	15
5	597 25 48-01	HOLDER	GRINDING HOLDER 230 T5	3
6	595 66 67-01	SHAFT	RADIAL SHAFT SEAL50X64X6	3
7	595 68 10-01	SCREW	SCREW M8X35	9
8	595 76 22-02	HOUSING	HOUSING T5 BOTTOM	1
9	595 66 70-01	O-RING	O-RING HOUSING 5	1
10	595 76 33-01	TENSIONER	TENSIONER LOCKING PLATE	1
11	595 68 02-01	SCREW	SCREW M6X16	1
12	593 51 36-01	SCREW	SCREW M8X25	1
13	595 68 33-01	WASHER	WASHER COPPER M8	1

GRINDING HEAD INTERNAL & UPPER HTC T5, 967863615, 967863616, 967863617, 967863618, 967863619, 967863620, 967863621, 967863622

P DURATIQ T5
GRINDING HEAD INTERNAL & UPPER

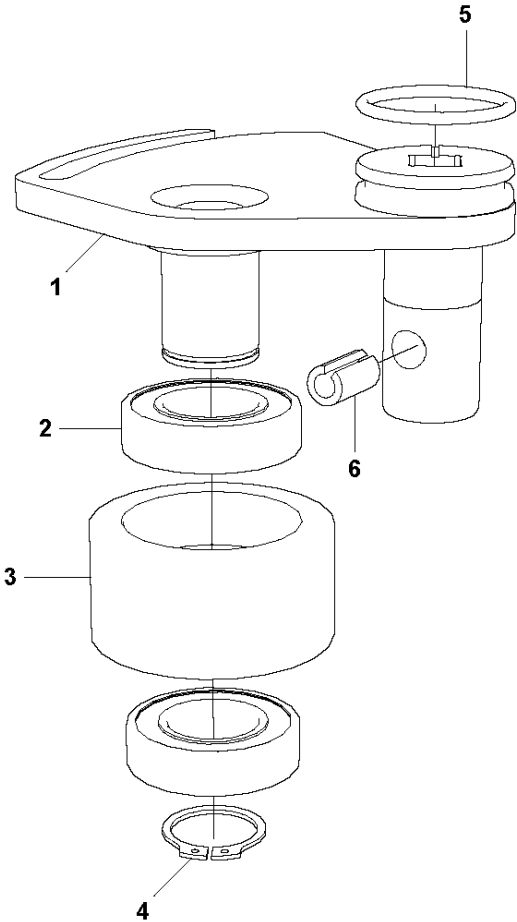


GRINDING HEAD INTERNAL & UPPER HTC T5, 967863615, 967863616, 967863617, 967863618, 967863619, 967863620, 967863621, 967863622

Ref	Part No	Description	Remark	QTY KIT
1	595 71 58-01	TENSIONER	TENSIONER T5 CMPL.	1
2	595 66 55-01	BELT	BELT PRIMARY T5	1
3	595 71 60-01	SHAFT	GRINDING SHAFT T5 CMPL	3
4	595 68 32-01	PIN	PARALLEL PIN 10X26	2
5	595 66 56-01	BELT	BELT SECONDARY T5	1

IDLER ASSY HTC T5, 967863615, 967863616, 967863617, 967863618, 967863619, 967863620, 967863621, 967863622

Q DURATIQ T5
IDLER PULLEY ASSY

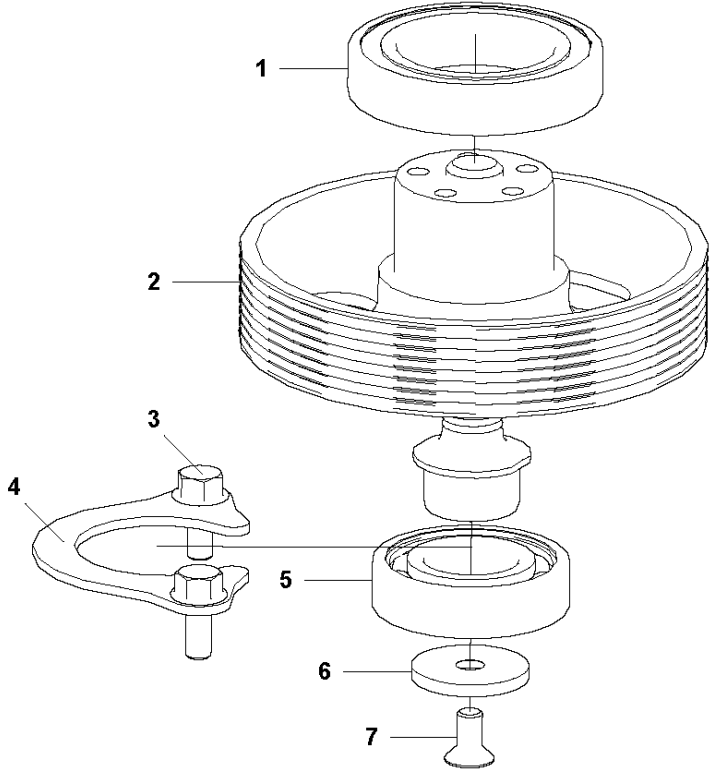


IDLER ASSY HTC T5, 967863615, 967863616, 967863617, 967863618, 967863619, 967863620, 967863621, 967863622

Ref	Part No	Description	Remark	QTY KIT
1	595 76 25-02	TENSIONER	TENSIONER WELDMENT T5	1
2	595 66 66-01	BALL	BALL BEARING 6005	2
3	595 76 26-01	PULLEY	PULLEY IDLER	1
4	593 49 68-01	CIRCLIP	CIRCLIP SGA 25	1
5	593 48 78-01	O-RING	O-RING 34.2x3	1
6	595 68 11-01	SPRING	SPRING PIN 10X20	1

PULLEY ASSY HTC T5, 967863615, 967863616, 967863617, 967863618, 967863619, 967863620, 967863621, 967863622

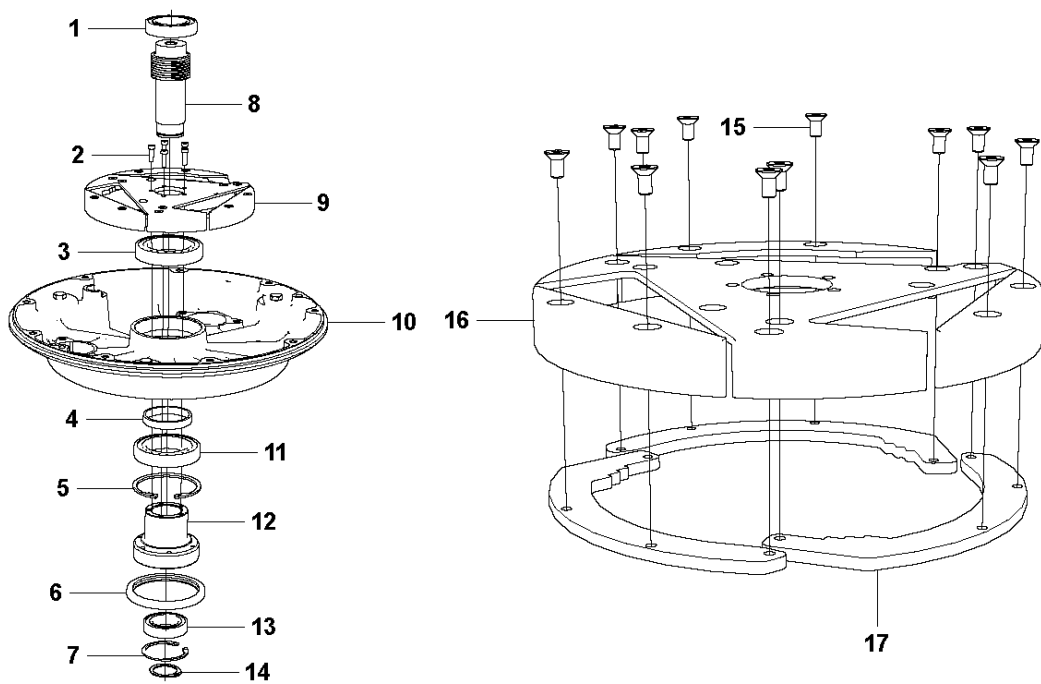
R DURATIQ T5
PULLEY ASSY



PULLEY ASSY HTC T5, 967863615, 967863616, 967863617, 967863618, 967863619, 967863620, 967863621, 967863622

Ref	Part No	Description	Remark	QTY KIT
1	595 66 64-01	BALL	BALL BEARING 6010	1
2	595 76 24-02	SHAFT	GRINDING SHAFT 5	1
3	593 51 35-01	SCREW	SCREW M8x20	2
4	595 76 32-01	WASHER	WASHER GRINDING SHAFT T5	1
5	595 66 65-01	BALL	BALL BEARING 6206	1
6	595 71 59-01	WASHER	PRETENSION WASHER T5	1
7	593 50 78-01	SCREW	SCREW M6X16	1

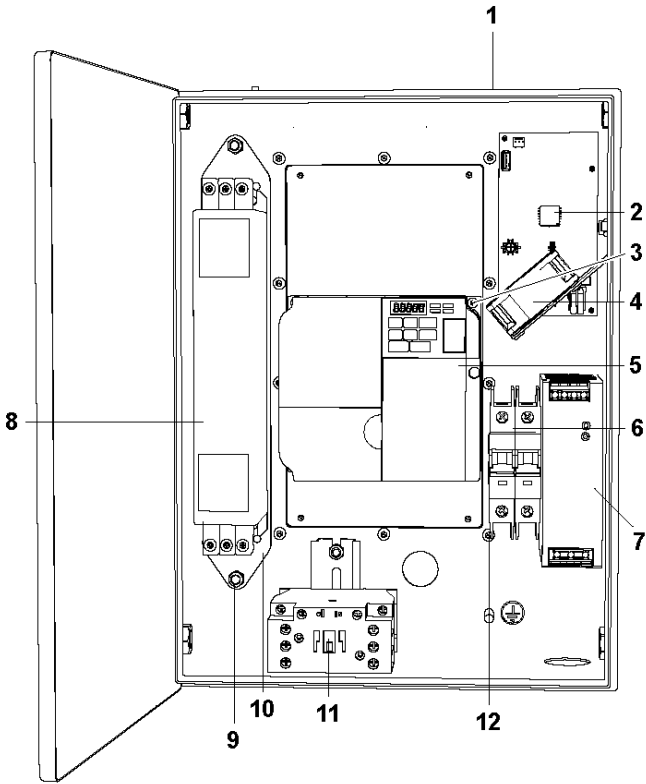
S DURATIQ T5
CENTER HUB ASSY



CENTER HUB ASSY HTC T5, 967863615, 967863616, 967863617, 967863618, 967863619,
 967863620, 967863621, 967863622

Ref	Part No	Description	Remark	QTY KIT
1	595 66 62-01	BALL	BALL BEARING 6009	1
2	593 51 42-01	SCREW	SCREW M6X20	5
3	595 66 61-01	BALL	BALL BEARING 6013	1
4	595 76 30-01	SPACER	SPACER RING	1
5	593 50 30-01	CIRCLIP	CIRCLIP SGH 100	1
6	595 66 68-01	SHAFT	RADIAL SEAL100X120X10	1
7	593 51 32-01	CIRCLIP	CIRCLIP 68	1
8	510887	TBD	PULLEY CENTER	1
9	595 76 27-01	PULLEY	PULLEY SECONDARY	1
10	595 76 23-02	HOUSING	HOUSING T5 TOP	1
11	595 66 61-01	BALL	BALL BEARING 6013	1
12	595 76 29-01	HUB	CENTER HUB	1
13	595 66 63-01	BALL	BALL BEARING 6008	1
14	593 49 86-01	CIRCLIP	CIRCLIP EXTERNAL SGA 40	1
15	593 50 96-01	SCREW	SCREW M6X12	12
16	595 76 27-01	PULLEY	SECONDARY PULLEY 5	1
17	596 64 57-01	PLATE	LOCKING PLATE SEC. PULLEY	3

T DURATIQ T5
ELECTRICAL CABINET

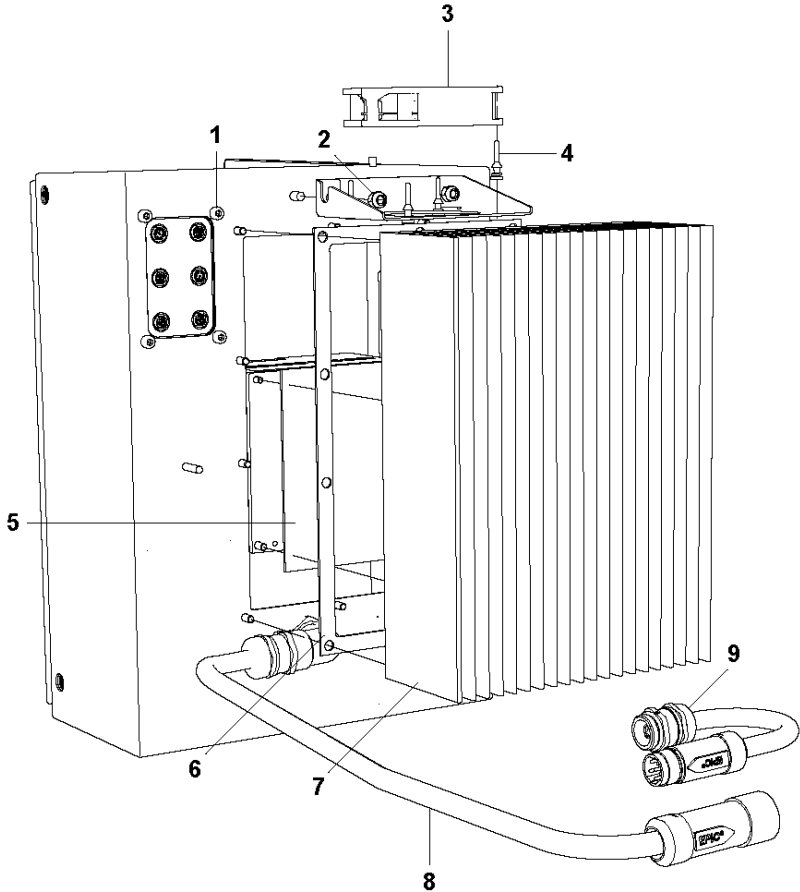


ELECTRICAL CABINET HTC T5, 967863615, 967863616, 967863617, 967863618, 967863619, 967863620, 967863621, 967863622

Ref	Part No	Description	Remark	QTY KIT
1	595 76 51-01	ENCLOSED KIT	ENCLOSURE	1
2	595 72 03-01	CIRCUIT BOARD		1
3	593 50 89-01	SCREW	SCREW M4X10	4
4	595 74 44-01	FAN	FAN 24VDC - 60x60x25	1
4	595 74 43-01	FAN	FAN MOUNT RUBBER	4
4	595 71 08-01	MOUNT	MOUNT PLATE 60MM FAN	1
4	593 50 00-01	LOCK NUT	LOCK NUT M6	2
5	595 74 71-01	FREQUENCY INVERTER	INVERTER 1X200V 2.2kW	1
5	595 74 72-01	FREQUENCY INVERTER	INVERTER 1/3x200V 4kW	1
5	595 74 73-01	FREQUENCY INVERTER	INVERTER 3X400V 4kW	1
5	595 74 73-01	FREQUENCY INVERTER	INVERTER 3X480V 4kW	1
6	593 56 01-01	CIRCUIT BREAKER	CIRCUIT BREAKER 2-P 5A	1
7	595 74 74-01	POWER SUPPLY	POWER SUPPLY 24VDC 5A	1
8	595 74 76-01	FILTER	EMC-FILTER 1X200V 2.2kW 16A	1
8	561091	TBD	EMC-FILTER 1X200V 4kW 30A	1
8	593 55 99-01	FILTER	EMC-FILTER 3X200V 4kW 30A	1
8	595 74 75-01	FILTER	EMC-FILTER 3X400V 4kW 16A	1
8	595 74 75-01	FILTER	EMC-FILTER 3X480V 4kW 16A	1
9	593 50 00-01	LOCK NUT	LOCK NUT M6	2
10	595 72 22-01	MOUNT	MOUNT EMC-FILTER 16-30A	1
11	593 55 93-01	CONTACTOR	CONTACTOR 18A 24VDC	1
11	593 55 94-01	CONTACTOR	CONTACTOR 30A 24VDC	1
12	595 68 22-01	SCREW	SCREW M5X10	10

INVERTER HTC T5, 967863615, 967863616, 967863617, 967863618, 967863619, 967863620, 967863621, 967863622

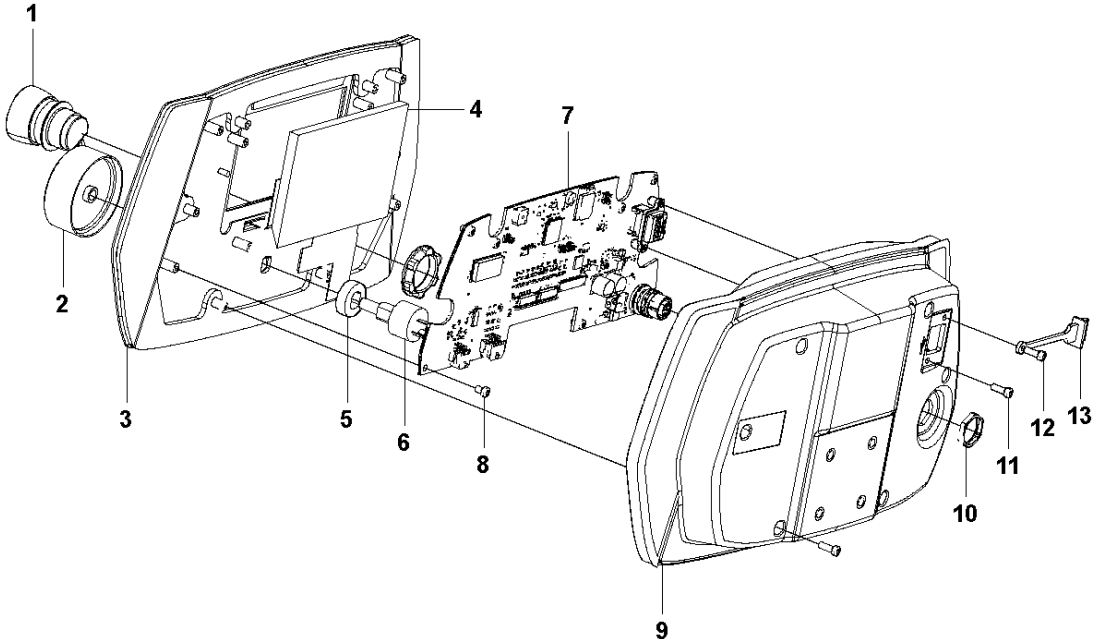
U DURATIQ T5
INVERTER



INVERTER HTC T5, 967863615, 967863616, 967863617, 967863618, 967863619, 967863620, 967863621, 967863622

Ref	Part No	Description	Remark	QTY KIT
1	593 50 52-01	SCREW	SCREW M5X10	4
2	593 50 00-01	LOCK NUT	LOCK NUT M6	2
3	595 74 45-01	FAN	FAN 24VDC - 80x80x25	1
4	595 74 43-01	FAN	FAN MOUNT RUBBER	4
5	597 25 59-01	HEAT SINK	HEATSINK COMPOUND KIT	1
6	595 72 02-01	GASKET	GASKET HEATSINK 2,2-4kW	1
7	595 76 50-01	HEAT SINK	HEATSINK 2.2kW - 4kW	1
8	595 73 10-01	CABLE	CABLE MOTOR 16A ENCLOSURE	1
9	595 73 09-01	CABLE	CABLE MOTOR 16A MOTOR SIDE	1

V DURATIQ T5
CONTROL PANEL

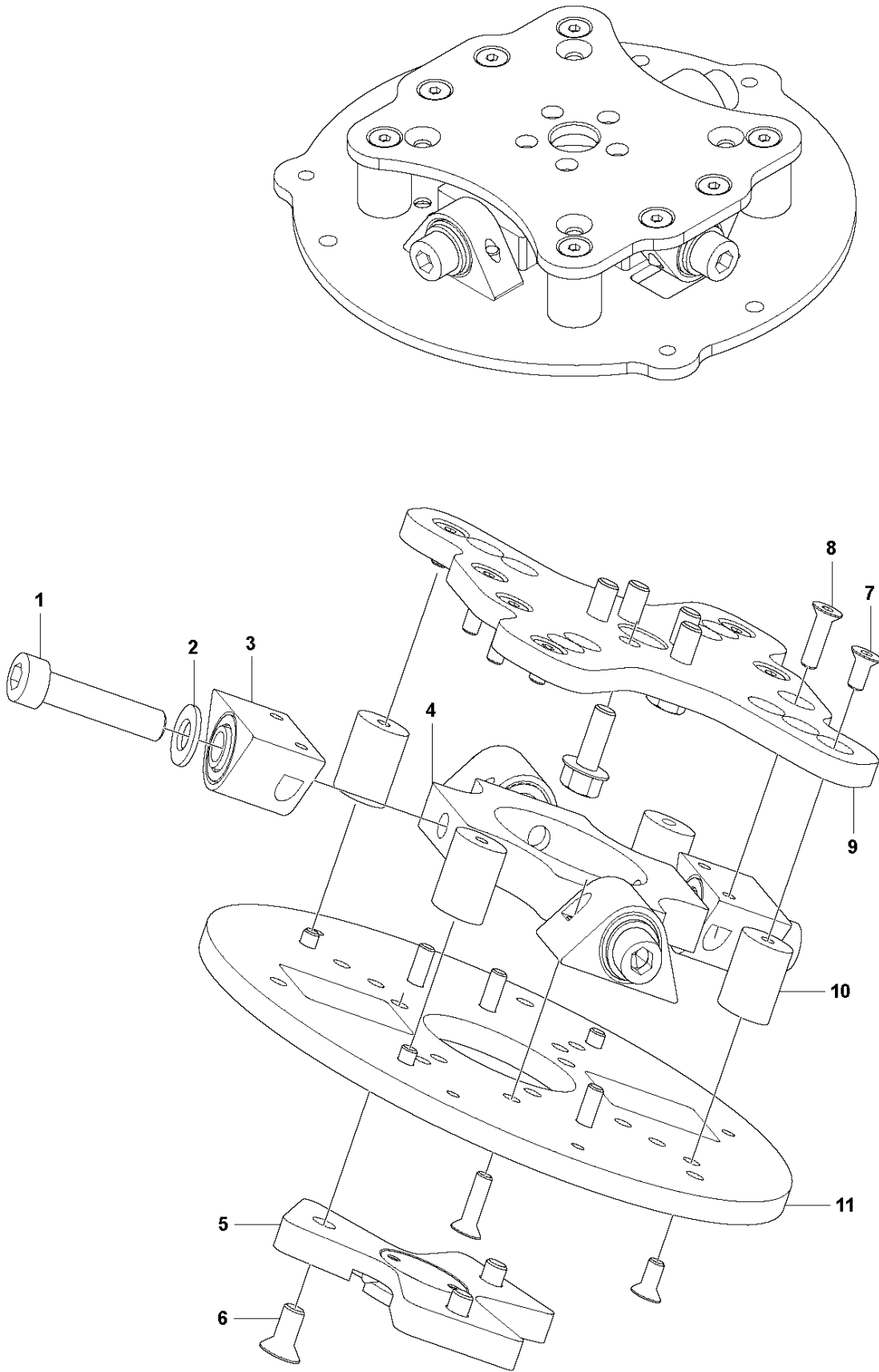


CONTROL PANEL HTC T5, 967863615, 967863616, 967863617, 967863618, 967863619,
967863620, 967863621, 967863622

Ref	Part No	Description	Remark	QTY KIT
1	593 54 08-01	PUSH BUTTON	EMERGENCY STOP	1
2	593 49 18-01	KNOB	CONTROL PANEL KNOB	1
3	595 72 20-02	CONTROL PANEL	CONTROL PANEL FRONT	1
3	595 72 15-01	CONTROL PANEL	GASKET CONTROL PANEL	1
4	595 66 40-01	DISPLAY	DISPLAY	1
5	595 66 59-01	O-RING	O-RING	1
6	595 71 24-01	POTENTIOMETER	POTENTIOMETER	1
7	595 72 08-01	CONTROL PANEL	CONTROL PANEL CIRCUIT BOARD	1
8	595 68 16-01	SCREW	SCREW M3X6	8
9	595 75 82-01	CONTROL	CONTROL PANEL ENCLOSURE	1
10	595 68 18-01	NUT	NUT PG9 18X2.8	1
11	595 68 19-01	SCREW	SCREW 4-40X8 UNC	1
12	595 68 20-01	SCREW	SCREW 4-40X9.5 UNC	1
13	595 74 32-01	COVER	USB COVER	1

GRINDING HOLDER ASSY HTC T5, 967863615, 967863616, 967863617, 967863618, 967863619, 967863620, 967863621, 967863622

**X DURATIQ T5
GRINDING HOLDER ASSY**



GRINDING HOLDER ASSY HTC T5, 967863615, 967863616, 967863617, 967863618, 967863619, 967863620, 967863621, 967863622

Ref	Part No	Description	Remark	QTY KIT
1	310603	TBD	MC6S M10X35 8.8 FZB DIN912	4
2	593 49 91-01	WASHER	WASHER M10 200HV ZP ISO 7089	4
3	593 61 64-01	BUSHING	EAR BUSHING GRIND HOLDER CMPL	4
4	593 53 62-01	CONNECTION	CARDAN CONNECTION ID Ø60	1
5	593 61 59-01	CROSS MEMBER	CROSS COMPLETE INCL. POS. 6	1
6	593 49 99-01	SCREW	SCREW M8X16	3
7	593 50 12-01	SCREW	SCREW M6X9 8.8 ZP ISO 14851	8
8	593 49 67-01	SCREW	SCREW M6X20 8.8 ZP ISO 14851	8
9	597 55 06-01	HOLDER	UPPER GRIND HOLDER PLATE	1
10	593 43 88-01	ABSORBER	SHOCK ABSORBER 20x25 M6	4
11	597 55 07-01	HOLDER	GRINDER HOLDER PLATE	1