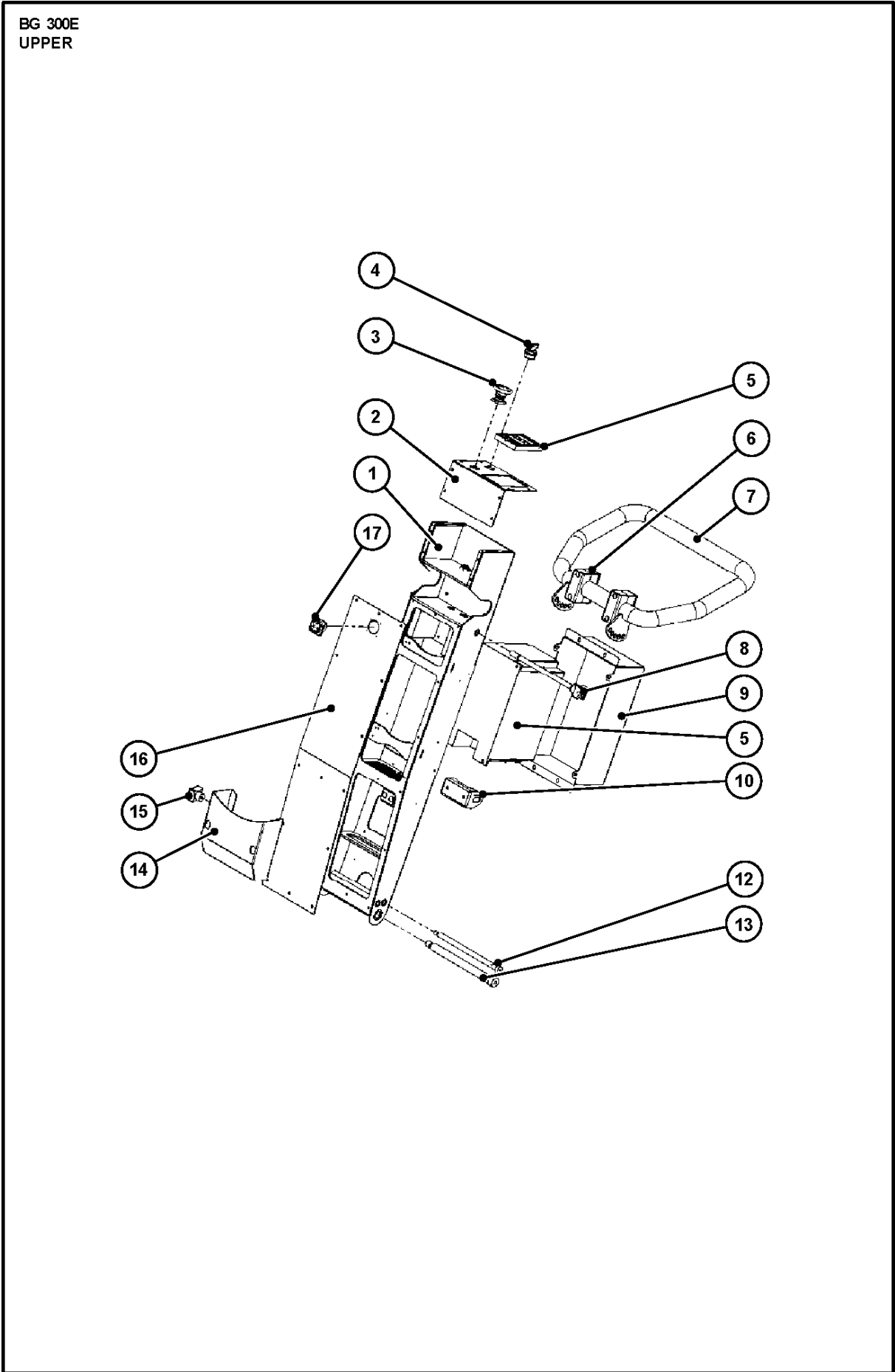




# SPARE PARTS LIST

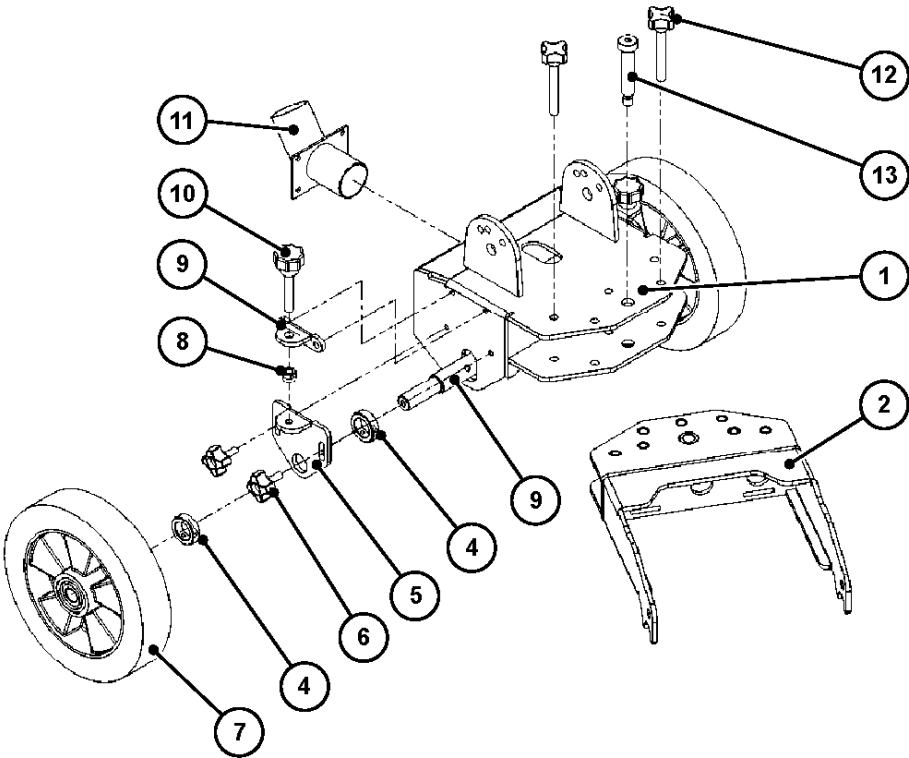
SURFACE PREPARATION EQUIPMENT

BG 300, 2022-04



Ref	Part No	Description	Remark	QTY KIT
1	533 15 67-01	HANDLE	HANDLE	1
2	533 25 89-01	CONTROL PLATE	CONTROL PLATE	1
3	535 95 58-01	SWITCH	SWITCH	1
4	535 95 59-01	SWITCH	SWITCH	1
5	533 77 27-01	FREQUENCY INVERTER	FREQUENCY INVERTER	1
5	533 93 63-01	FREQUENCY INVERTER	FREQUENCY INVERTER	1
5	534 07 09-01	FREQUENCY INVERTER	FREQUENCY INVERTER	1
6	533 10 97-01	CLAMP	CLAMP	2
7	535 30 85-01	HANDLE	HANDLE	1
8	900 00 00-02	DUMMY PART	DUMMY PART	1
8	535 92 48-01	UNIT	UNIT	2
9	533 19 73-01	CONTROL	CONTROL	1
10	535 92 58-01	ARM	ARM	1
11	534 07 09-01	FREQUENCY INVERTER	FREQUENCY INVERTER	2
11	535 92 25-01	DECAL	DECAL	2
12	900 00 00-02	DUMMY PART	DUMMY PART	1
13	900 00 00-02	DUMMY PART	DUMMY PART	1
14	535 92 70-01	TOOL	TOOL	1
15	900 00 00-02	DUMMY PART	DUMMY PART	1
16	535 92 42-01	PLATE	PLATE	1
17	535 92 52-01	UNIT	UNIT	1
17	535 92 53-01	UNIT	UNIT	1

BG 300E  
WHEEL RACK UNIT

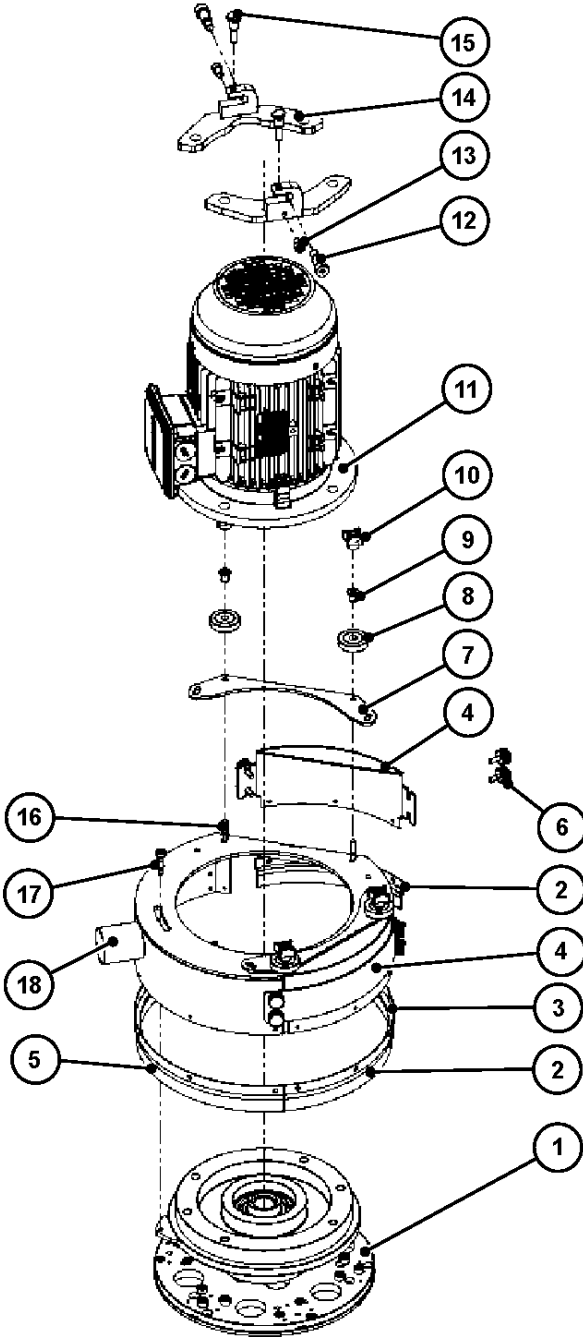


## WHEEL ASSY

BG 300, 2022-04

Ref	Part No	Description	Remark	QTY KIT
1	535 91 55-01	FRAME	FRAME	1
2	535 91 62-01	FRAME	FRAME	1
3	535 92 29-01	AXLE	AXLE	1
4	535 92 27-01	AXLE	AXLE	4
5	535 92 40-01	PLATE	PLATE	2
6	533 48 17-01	BOLT	BOLT	4
7	533 08 71-01	WHEEL	WHEEL	2
8	900 00 00-02	DUMMY PART	DUMMY PART	2
9	533 62 65-01	WHEEL	WHEEL	2
10	533 27 83-01	BOLT	BOLT	2
11	535 92 20-01	PIPE	PIPE	1
12	533 53 83-01	PIN	PIN	2
13	900 00 00-02	DUMMY PART	DUMMY PART	1

BG 300E  
GRINDING HEAD UNIT

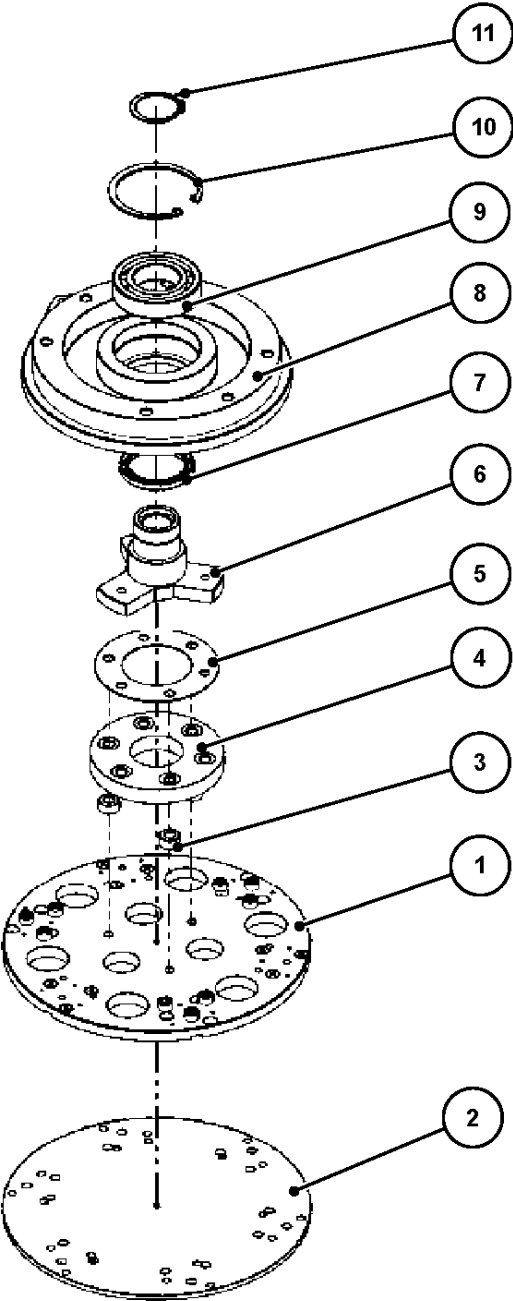


## GRINDING HEAD

BG 300, 2022-04

Ref	Part No	Description	Remark	QTY KIT
1	533 36 96-01	UNIT	UNIT	1
2	533 26 31-01	BRUSH	BRUSH	2
3	533 26 32-01	BRUSH	BRUSH	1
4	533 10 98-01	COVER	COVER	2
5	533 26 33-01	BRUSH	BRUSH	1
6	900 00 00-02	DUMMY PART	DUMMY PART	4
7	535 92 37-01	PLATE	PLATE	2
8	533 28 60-01	WHEEL	WHEEL	4
9	533 24 17-01	BEARING SLEEVE	BEARING SLEEVE	4
10	533 50 46-01	NUT	NUT	4
11	533 21 53-01	MOTOR	MOTOR	1
11	535 67 89-01	MOTOR	MOTOR	1
11	535 92 77-01	MOTOR	MOTOR	1
12	900 00 00-02	DUMMY PART	DUMMY PART	2
13	900 00 00-02	DUMMY PART	DUMMY PART	2
14	535 91 72-01	COUPLING	COUPLING	1
15	535 92 41-01	KNOB	KNOB	2
16	900 00 00-02	DUMMY PART	DUMMY PART	4
17	900 00 00-02	DUMMY PART	DUMMY PART	1
18	533 05 10-01	HOUSING	HOUSING	1

BG 300E  
GRINDER DISC UNIT





Ref	Part No	Description	Remark	QTY KIT
1	533 52 35-01	ADAPTER	ADAPTER	1
2	533 62 52-01	ADAPTER	ADAPTER	1
3	533 34 91-01	SPACER RING	SPACER RING	3
4	533 35 53-01	COUPLING	COUPLING	1
5	533 21 52-01	PLATE	PLATE	1
6	535 91 85-01	SHAFT	SHAFT	1
7	535 92 45-01	UNIT	UNIT	1
8	535 91 88-01	BEARING HOUSING	BEARING HOUSING	1
9	535 92 43-01	UNIT	UNIT	1
10	900 00 00-02	DUMMY PART	DUMMY PART	1
11	900 00 00-02	DUMMY PART	DUMMY PART	1