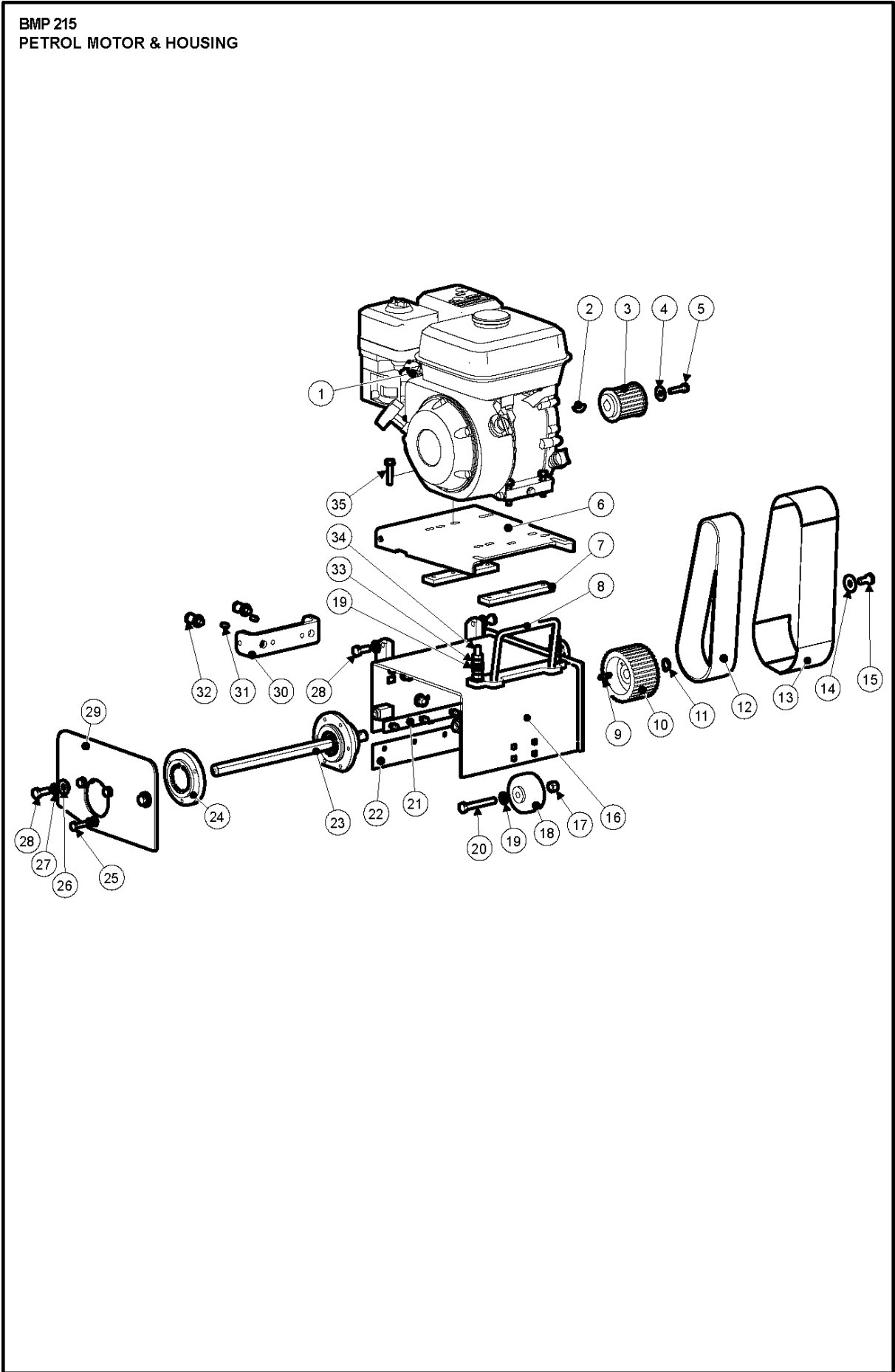




# SPARE PARTS LIST

SCARIFIER

BMP 215 PETROL, 2022-04

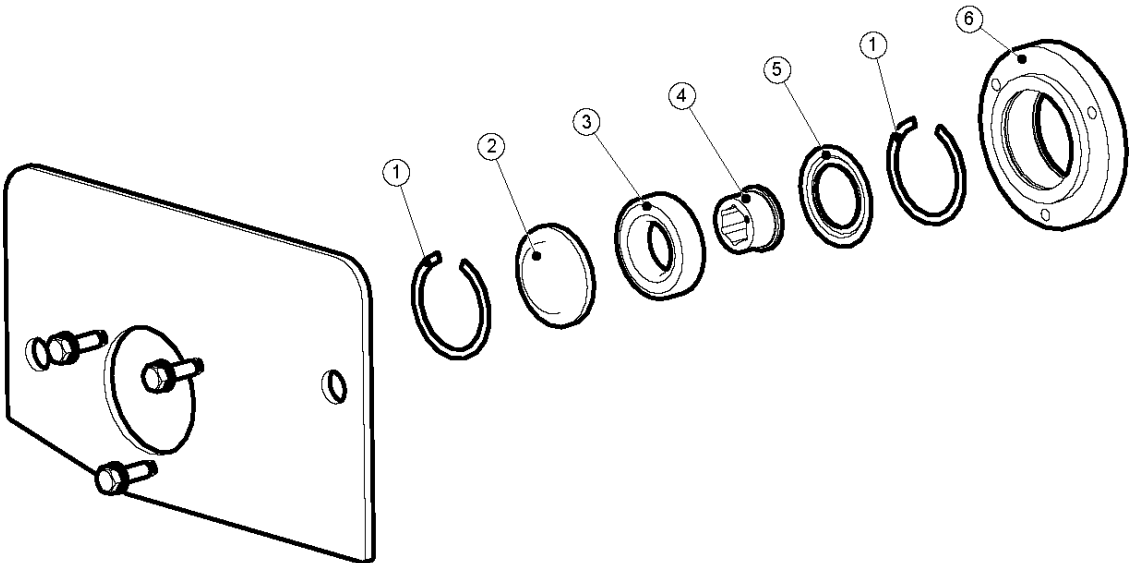


## MOTOR

BMP 215 PETROL, 2022-04

Ref	Part No	Description	Remark	QTY KIT
1	534 62 60-01	MOTOR	MOTOR	1
2	534 75 70-01	PARALLEL KEY	PARALLEL KEY	1
3	533 16 22-01	PULLEY	PULLEY	1
4	534 69 54-01	WASHER	WASHER	1
5	534 25 28-01	BOLT	BOLT	1
6	534 71 51-01	PLATE	PLATE	1
7	534 39 27-01	CLAMP	CLAMP	2
8	534 61 66-01	HANDLE	HANDLE	1
9	534 74 25-01	PARALLEL KEY	PARALLEL KEY	1
10	533 20 25-01	PULLEY	PULLEY	1
11	533 10 72-01	CLIP	CLIP	1
12	533 91 19-01	BELT	BELT	1
13	534 32 24-01	BELT GUARD	BELT GUARD	1
14	534 06 41-01	WASHER	WASHER	1
15	900 00 00-02	DUMMY PART	DUMMY PART	1
16	535 21 89-01	HOUSING	HOUSING	1
17	900 00 00-02	DUMMY PART	DUMMY PART	1
18	534 94 53-01	WHEEL	WHEEL	1
19	900 00 00-02	DUMMY PART	DUMMY PART	14
20	900 00 00-02	DUMMY PART	DUMMY PART	1
21	534 39 25-01	CLAMP	CLAMP	1
22	534 81 46-01	GASKET	GASKET	1
23	533 68 36-01	BEARING UNIT	BEARING UNIT	1
24	533 87 70-01	BEARING UNIT	BEARING UNIT	1
25	900 00 00-02	DUMMY PART	DUMMY PART	3
26	900 00 00-02	DUMMY PART	DUMMY PART	2
27	900 00 00-02	DUMMY PART	DUMMY PART	2
28	900 00 00-02	DUMMY PART	DUMMY PART	2
29	534 84 15-01	PLATE	PLATE	1
30	534 93 74-01	HOLDER	HOLDER	1
31	534 37 23-01	BUSH	BUSH	2
32	900 00 00-02	DUMMY PART	DUMMY PART	2
33	900 00 00-02	DUMMY PART	DUMMY PART	8
34	900 00 00-02	DUMMY PART	DUMMY PART	2
35	900 00 00-02	DUMMY PART	DUMMY PART	4

BMP 215  
BEARING UNIT, RH

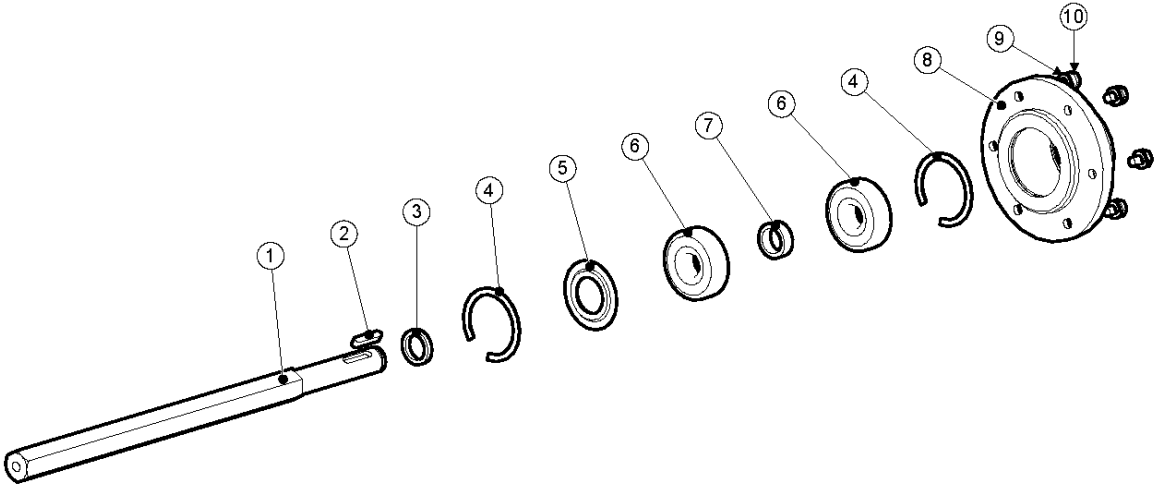


BEARING HOUSING

BMP 215 PETROL, 2022-04

Ref	Part No	Description	Remark	QTY KIT
1	534 80 69-01	RING	RING	2
2	534 41 51-01	COVER	COVER	1
3	534 31 20-01	BEARING	BEARING	1
4	534 62 42-01	SUPPORT	SUPPORT	1
5	534 77 99-01	RING	RING	1
6	534 31 64-01	BEARING HOUSING	BEARING HOUSING	1

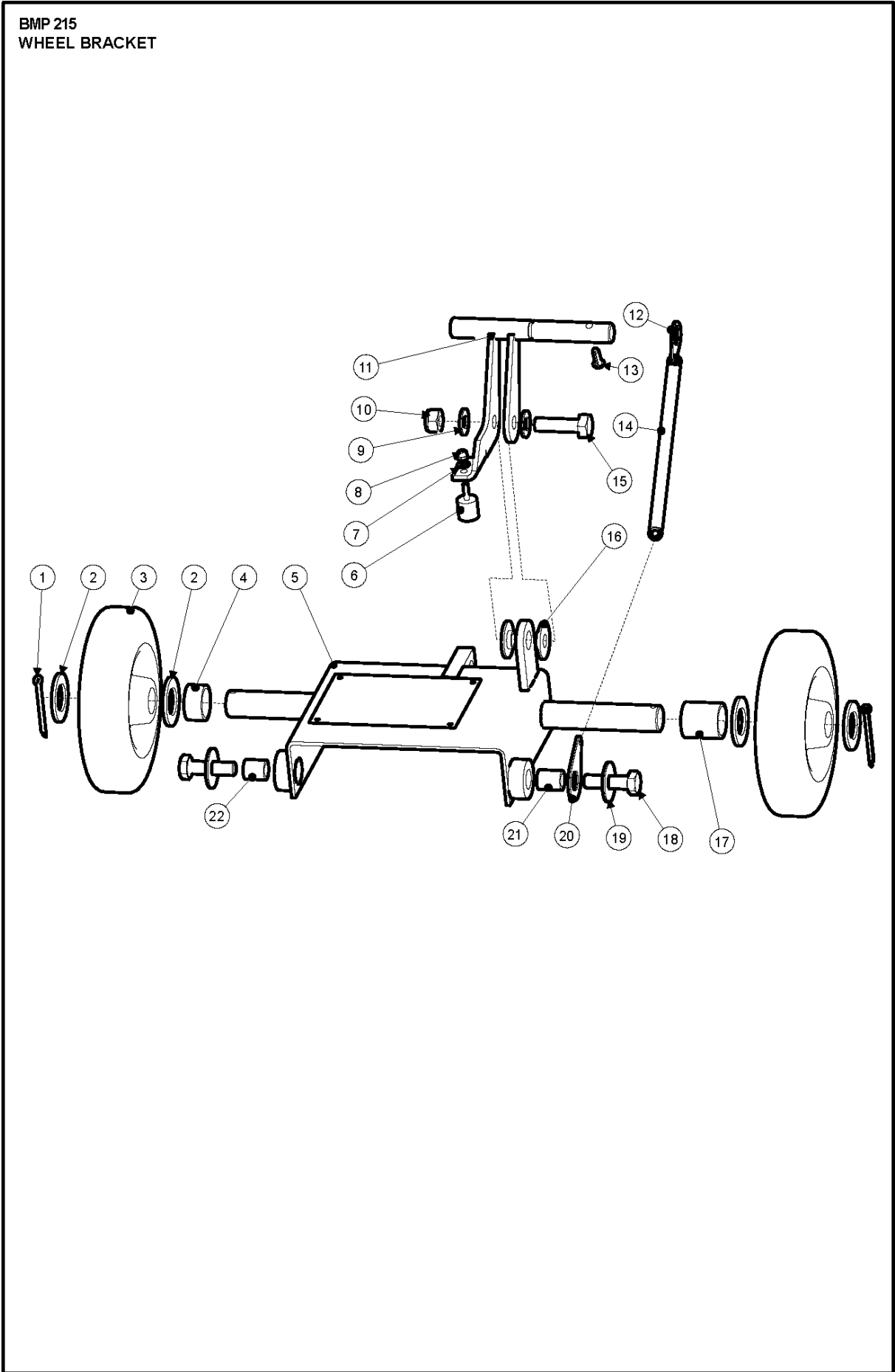
BMP 215  
BEARING UNIT, LH



## BEARING HOUSING

BMP 215 PETROL, 2022-04

Ref	Part No	Description	Remark	QTY KIT
1	533 09 58-01	SHAFT	SHAFT	1
2	534 74 25-01	PARALLEL KEY	PARALLEL KEY	1
3	534 51 54-01	RING	RING	1
4	534 68 14-01	LOCKING RING	LOCKING RING	2
5	534 77 98-01	RING	RING	1
6	533 80 98-01	BEARING	BEARING	2
7	534 51 40-01	BUSH	BUSH	1
8	534 31 63-01	BEARING HOUSING	BEARING HOUSING	1
9	900 00 00-02	DUMMY PART	DUMMY PART	6
10	900 00 00-02	DUMMY PART	DUMMY PART	6

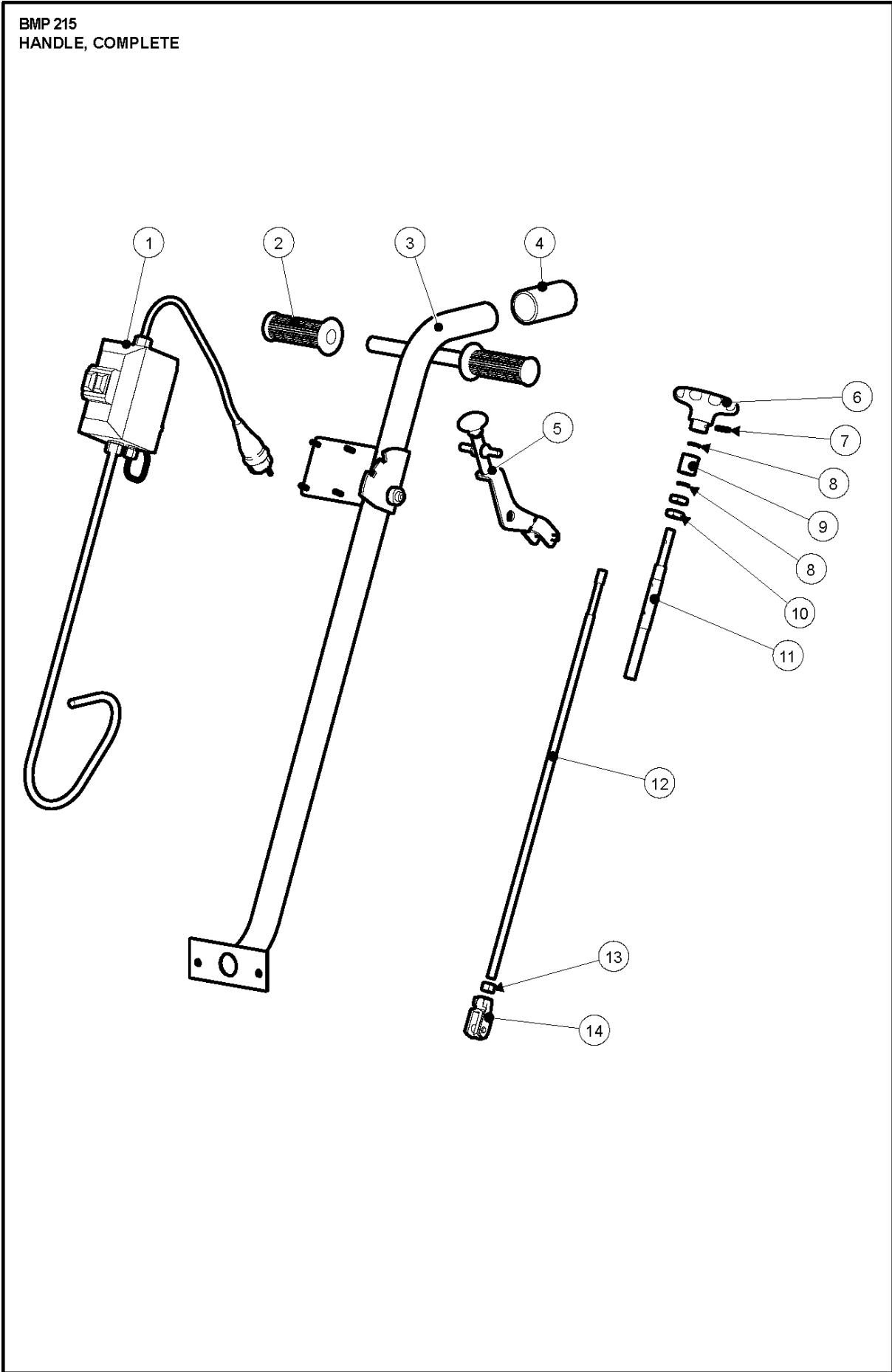




## WHEEL BRACKET, LOWER

BMP 215 PETROL, 2022-04

Ref	Part No	Description	Remark	QTY KIT
1	900 00 00-02	DUMMY PART	DUMMY PART	2
2	534 68 73-01	WASHER	WASHER	4
3	534 94 52-01	WHEEL	WHEEL	2
4	534 37 37-01	BUSHING	BUSHING	1
5	534 94 75-01	WHEEL BRACKET	WHEEL BRACKET	1
6	534 01 40-01	ABSORBER	ABSORBER	1
7	900 00 00-02	DUMMY PART	DUMMY PART	1
8	900 00 00-02	DUMMY PART	DUMMY PART	1
9	900 00 00-02	DUMMY PART	DUMMY PART	2
10	900 00 00-02	DUMMY PART	DUMMY PART	1
11	535 18 90-01	BRAKE	BRAKE	1
12	535 26 09-01	HANDLE	HANDLE	1
13	534 81 36-01	PIN	PIN	1
14	534 89 44-01	SPRING	SPRING	1
15	900 00 00-02	DUMMY PART	DUMMY PART	1
16	534 37 35-01	BUSHING	BUSHING	2
17	534 37 36-01	BUSHING	BUSHING	1
18	900 00 00-02	DUMMY PART	DUMMY PART	2
19	900 00 00-02	DUMMY PART	DUMMY PART	2
20	534 76 29-01	PLATE	PLATE	1
21	534 37 38-01	BUSHING	BUSHING	1
22	534 37 39-01	BUSHING	BUSHING	1

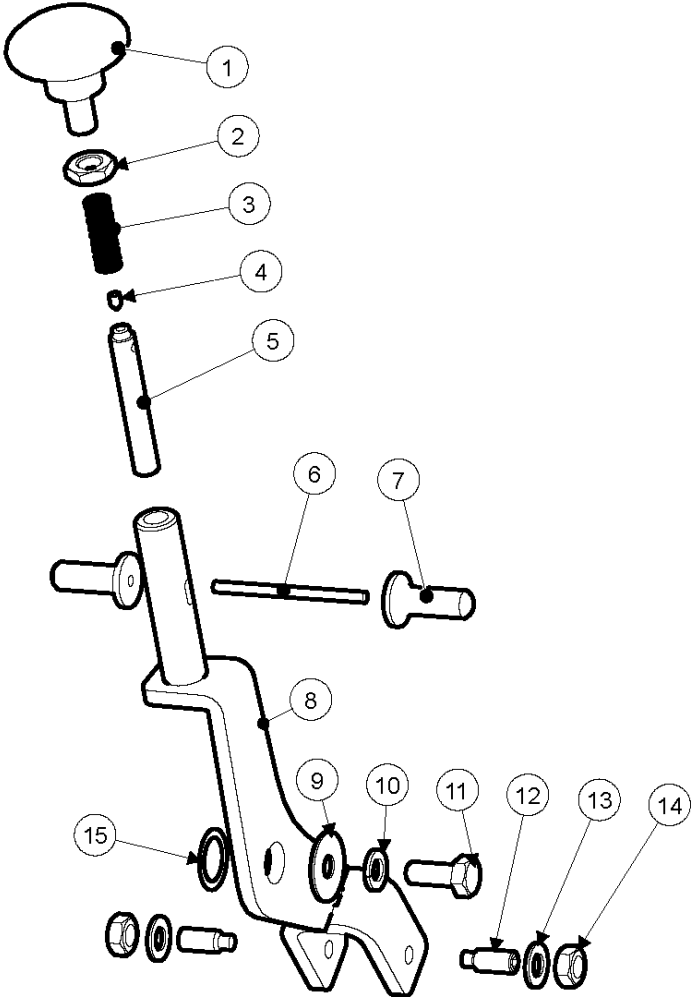


## HANDLE

BMP 215 PETROL, 2022-04

Ref	Part No	Description	Remark	QTY KIT
1	534 87 99-01	SWITCH	SWITCH	1
2	534 08 35-01	GRIP	GRIP	2
3	534 69 58-01	BAR	BAR	1
4	534 26 27-01	ADAPTER	ADAPTER	1
5	534 66 61-01	HANDLE	HANDLE	1
6	534 61 46-01	WHEEL	WHEEL	1
7	900 00 00-02	DUMMY PART	DUMMY PART	1
8	900 00 00-02	DUMMY PART	DUMMY PART	2
9	534 42 42-01	CYLINDER	CYLINDER	1
10	534 68 63-01	NUT	NUT	2
11	534 85 86-01	SLEEVE	SLEEVE	1
12	534 68 57-01	UNIT	UNIT	1
13	900 00 00-02	DUMMY PART	DUMMY PART	1
14	900 00 00-02	DUMMY PART	DUMMY PART	1

BMP 215  
LIFTING HANDLE

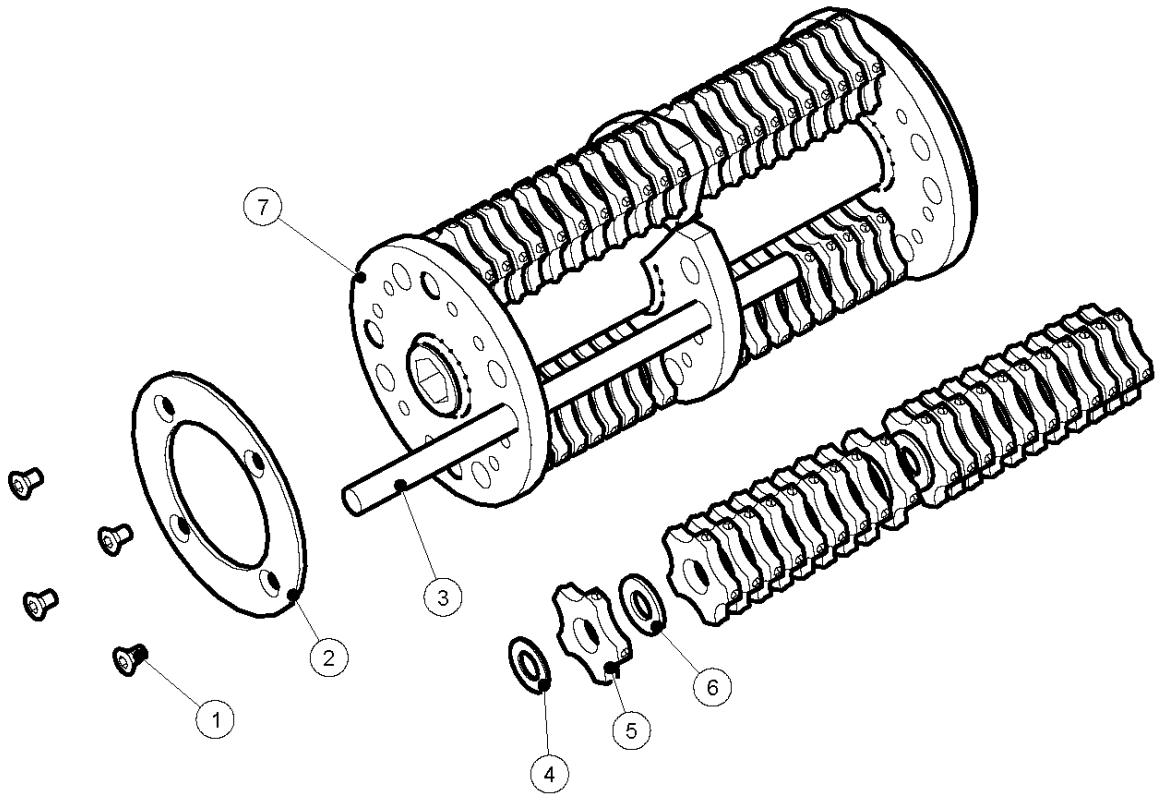


## LIFTING HANDLE

BMP 215 PETROL, 2022-04

Ref	Part No	Description	Remark	QTY KIT
1	534 66 08-01	KNOB	KNOB	1
2	534 67 71-01	NUT	NUT	1
3	534 86 87-01	SPRING	SPRING	1
4	900 00 00-02	DUMMY PART	DUMMY PART	1
5	534 58 01-01	PIN	PIN	1
6	534 83 33-01	SHAFT	SHAFT	1
7	533 23 83-01	HANDLE	HANDLE	2
8	534 66 60-01	HANDLE	HANDLE	1
9	900 00 00-02	DUMMY PART	DUMMY PART	1
10	900 00 00-02	DUMMY PART	DUMMY PART	1
11	900 00 00-02	DUMMY PART	DUMMY PART	1
12	534 69 49-01	SCREW	SCREW	2
13	533 80 86-01	WASHER	WASHER	2
14	535 78 48-01	NUT	NUT	2
15	533 90 86-01	SHIM	SHIM	1

BMP 215  
DRUM, COMPLETE



## DRUM

BMP 215 PETROL, 2022-04

Ref	Part No	Description	Remark	QTY KIT
1	534 08 66-01	SCREW	SCREW	8
2	534 80 55-01	PLATE	PLATE	2
3	534 53 77-01	DRUM	DRUM	4
4	534 53 44-01	DRUM	DRUM	1
5	534 85 63-01	SPACER RING	SPACER RING	4
6	534 42 04-01	CUTTER	CUTTER	84
7	534 85 71-01	SPACER RING	SPACER RING	108
8	534 53 44-01	DRUM	DRUM	1
9	533 87 39-01	DRUM	DRUM	1
10	534 80 18-01	REPAIR KIT	REPAIR KIT	1