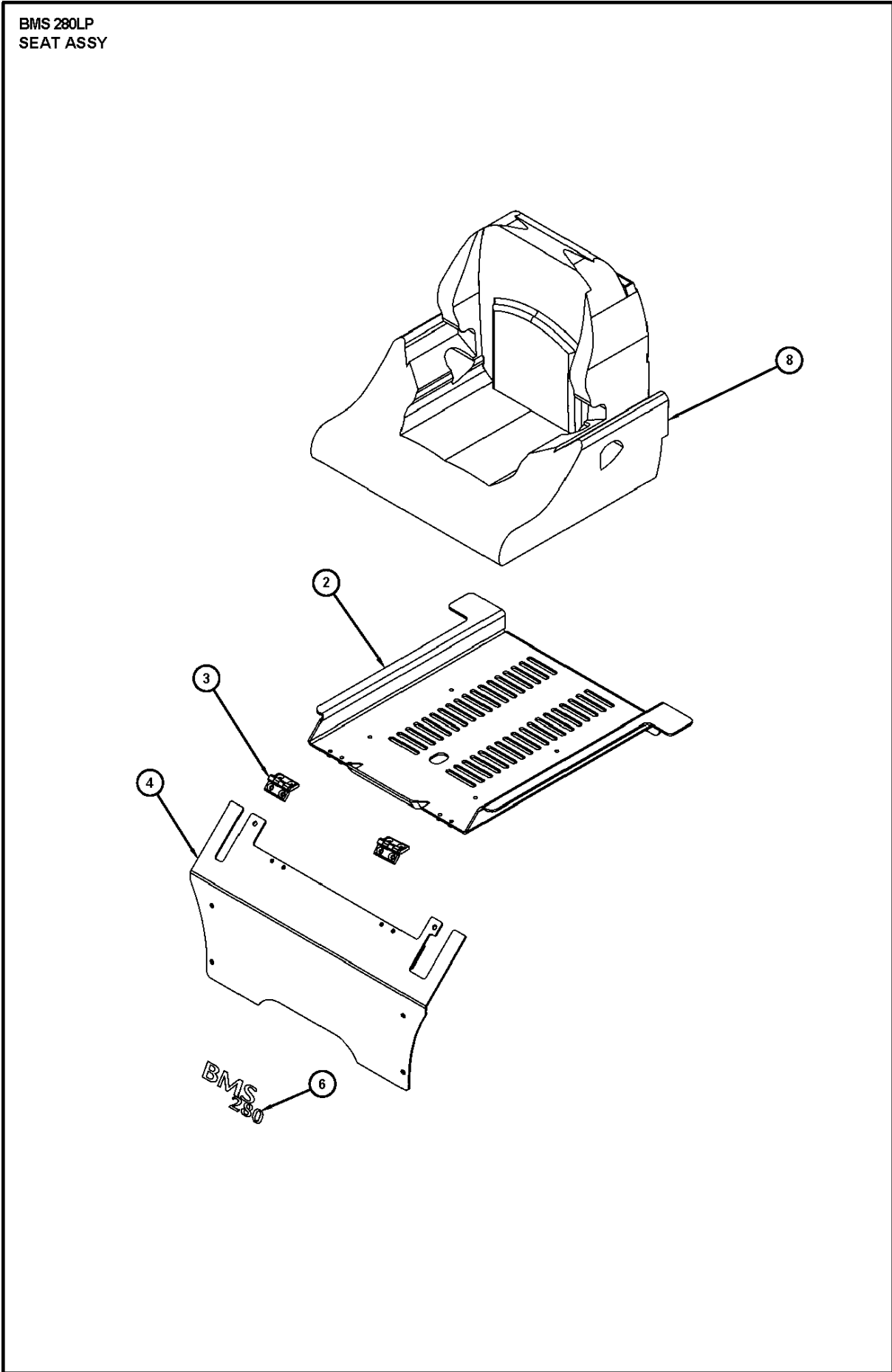




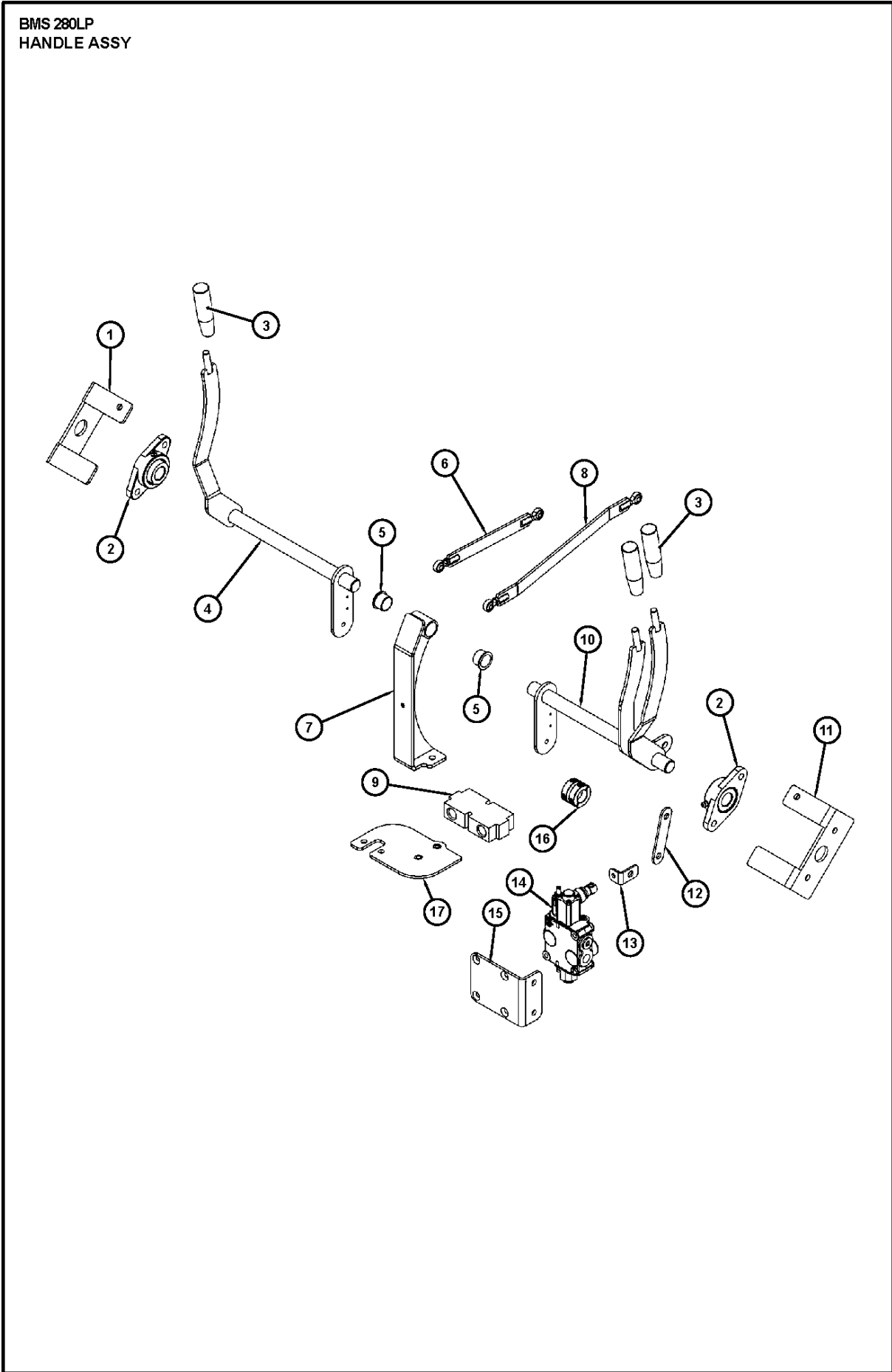
SPARE PARTS LIST

SCRAPERS

BMS 280P, 2022-04



Ref	Part No	Description	Remark	QTY KIT
8	533 11 80-01	SEAT	SEAT	1
2	535 23 75-01	PAN	PAN	1
3	533 93 09-01	HINGE	HINGE	2
4	533 23 68-01	PANEL	PANEL	1
5	533 57 02-01	DECAL	DECAL	1
6	533 04 60-01	DECAL	DECAL	3

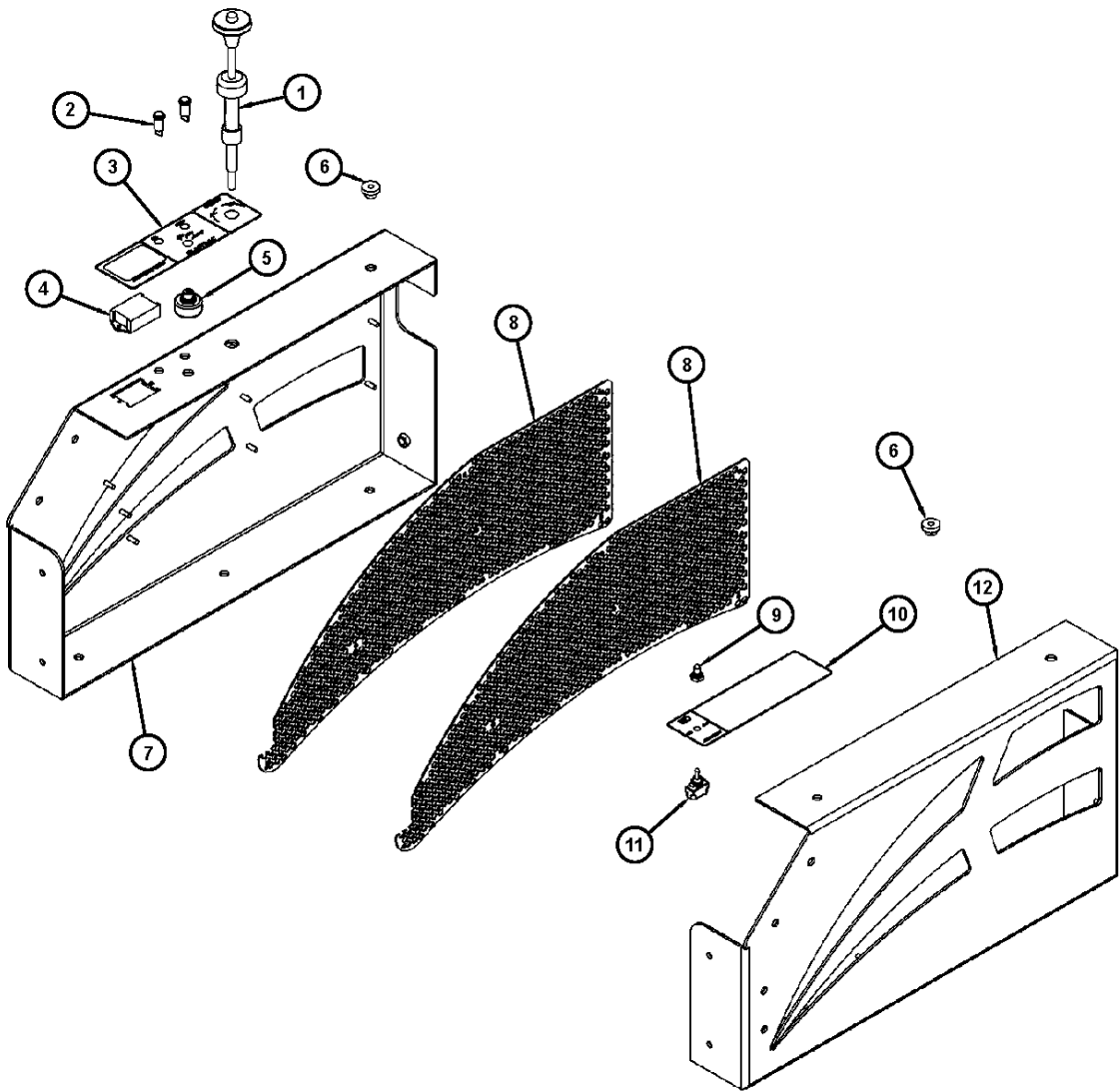


HANDLE & CONTROLS

BMS 280P, 2022-04

Ref	Part No	Description	Remark	QTY KIT
1	533 17 54-01	HANDLE	HANDLE	1
2	533 87 14-01	BOLT	BOLT	2
3	533 91 63-01	HANDLE GRIP	HANDLE GRIP	3
4	533 77 46-01	HANDLE	HANDLE	1
5	533 93 37-01	BEARING	BEARING	2
6	535 15 37-01	LINKAGE	LINKAGE	1
7	535 19 18-01	BRACKET	BRACKET	1
8	535 15 34-01	LINKAGE	LINKAGE	1
9	534 03 08-01	VALVE	VALVE	1
10	533 57 13-01	CONTROL	CONTROL	1
11	533 65 85-01	HANDLE	HANDLE	1
12	533 26 39-01	LINKAGE	LINKAGE	1
13	533 23 22-01	LINKAGE	LINKAGE	1
14	533 64 89-01	VALVE	VALVE	1
15	533 51 46-01	VALVE	VALVE	1
16	533 81 94-01	COLLAR	COLLAR	2
17	533 73 69-01	VALVE	VALVE	1

**BMS 280LP
PANELS & CONTROLS**

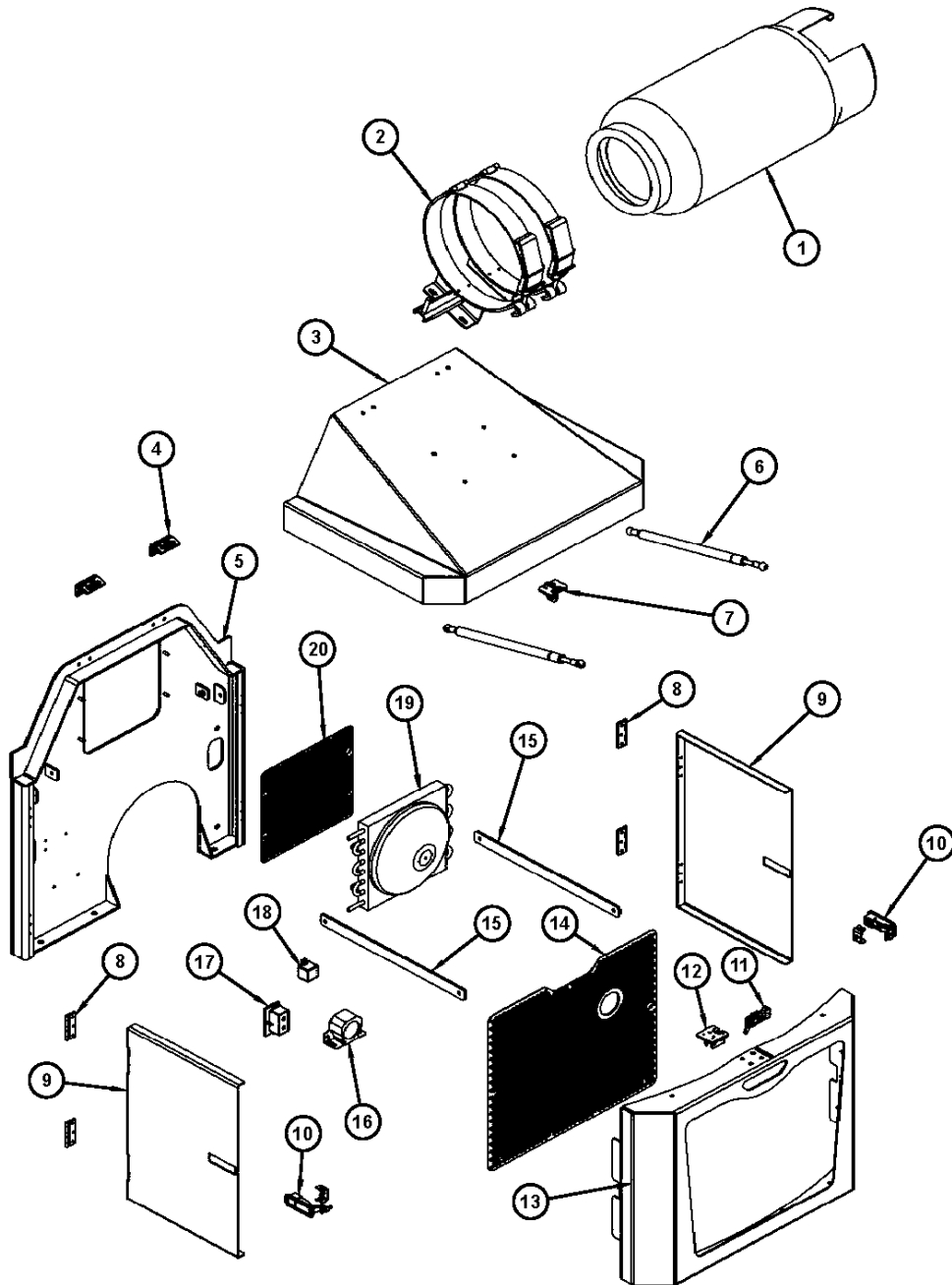


PANEL

BMS 280P, 2022-04

Ref	Part No	Description	Remark	QTY KIT
1	533 45 37-01	CABLE	CABLE	1
2	533 08 42-01	LIGHT	LIGHT	2
3	533 54 61-01	DECAL	DECAL	1
4	533 82 90-01	METER	METER	1
5	533 39 10-01	IGNITION SWITCH	IGNITION SWITCH	1
6	533 96 36-01	UNIT	UNIT	2
7	533 38 04-01	COVER	COVER	1
8	533 50 54-01	PANEL	PANEL	2
9	533 84 64-01	RUBBER SHOE	RUBBER SHOE	1
10	533 96 42-01	DECAL	DECAL	1
11	534 01 34-01	SWITCH	SWITCH	1
12	533 34 79-01	PANEL	PANEL	1

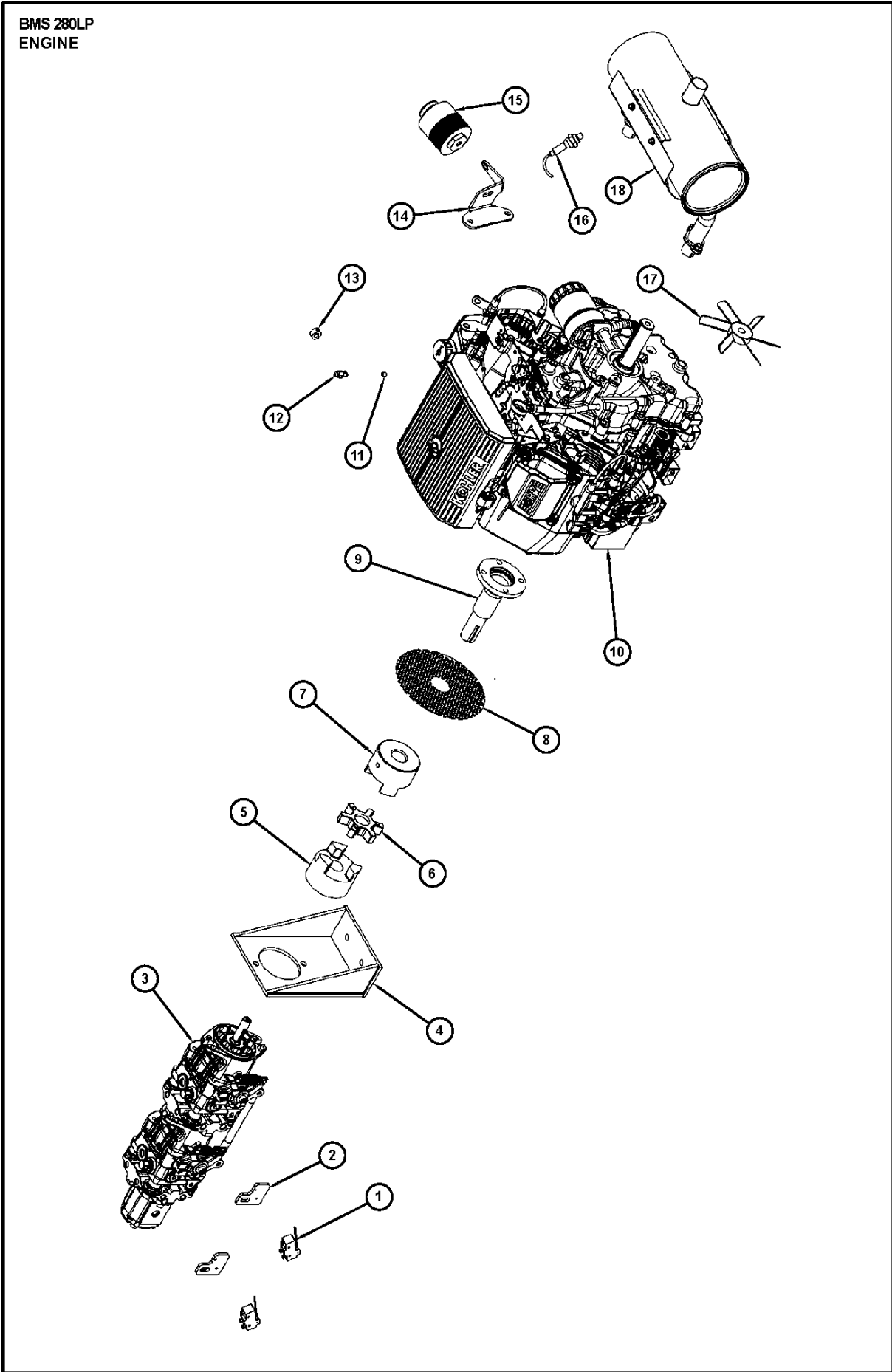
BMS 280LP
TANK, COOLER, PANELS & HOODS



COVERS & FUEL TANK

BMS 280P, 2022-04

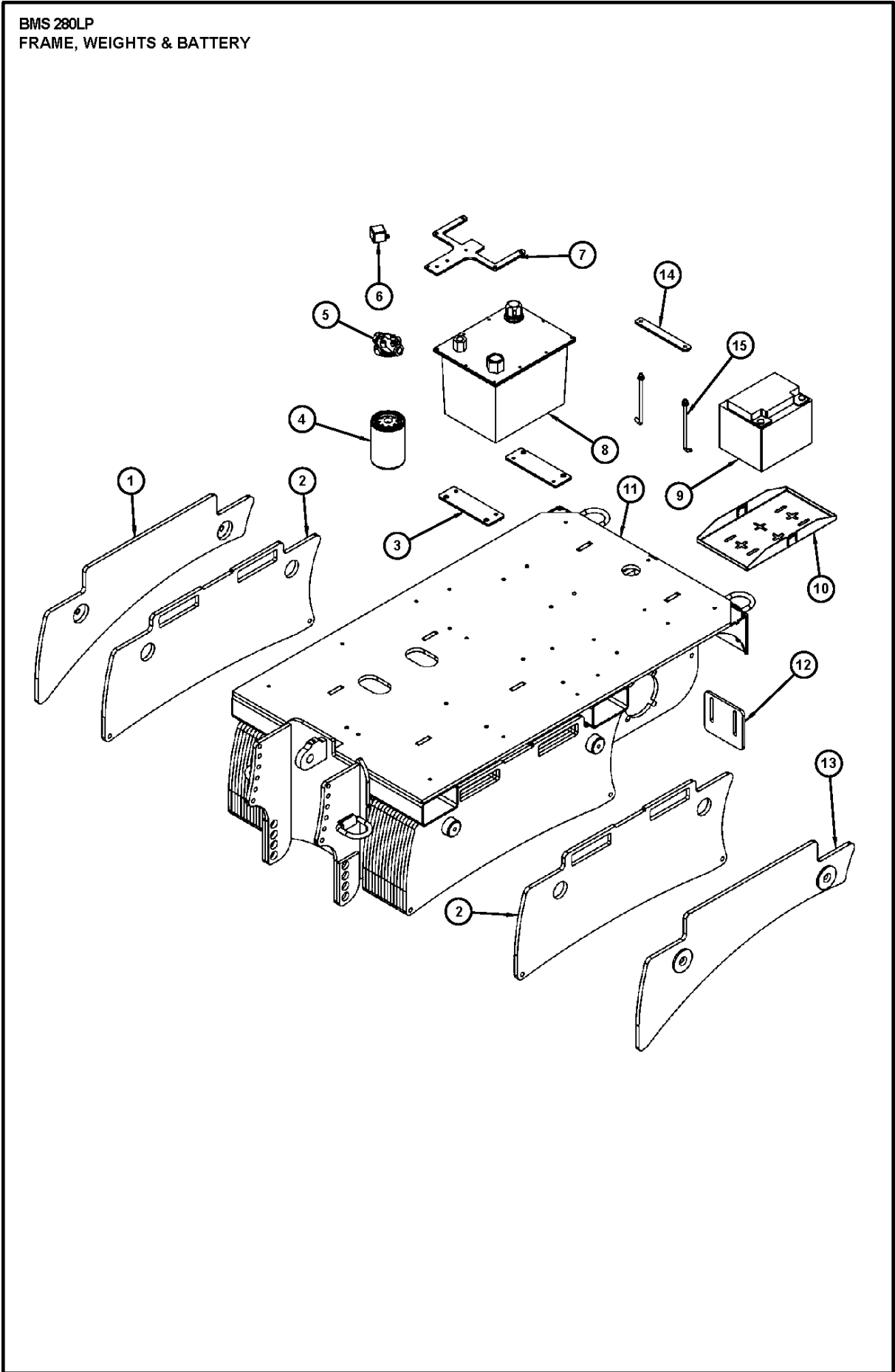
Ref	Part No	Description	Remark	QTY KIT
1	533 95 59-01	TANK	TANK	1
2	533 45 25-01	BRACKET	BRACKET	1
3	533 29 72-01	HOOD	HOOD	1
4	533 93 09-01	HINGE	HINGE	2
5	533 26 25-01	PANEL	PANEL	1
6	533 95 56-01	GAS SPRING	GAS SPRING	2
7	533 78 77-01	LATCH	LATCH	1
8	533 73 26-01	HINGE	HINGE	4
9	533 31 79-01	DOOR	DOOR	2
10	533 93 58-01	LATCH	LATCH	2
11	533 63 36-01	LATCH	LATCH	1
12	534 04 77-01	LATCH	LATCH	1
13	533 24 67-01	PANEL	PANEL	1
14	533 72 40-01	PANEL	PANEL	1
15	535 23 38-01	REINFORCEMENT	REINFORCEMENT	2
16	533 73 33-01	UNIT	UNIT	1
17	533 89 56-01	BLOCK	BLOCK	1
18	533 93 48-01	RELAY	RELAY	1
19	533 85 63-01	COOLER	COOLER	1
20	533 65 18-01	SCREEN	SCREEN	1



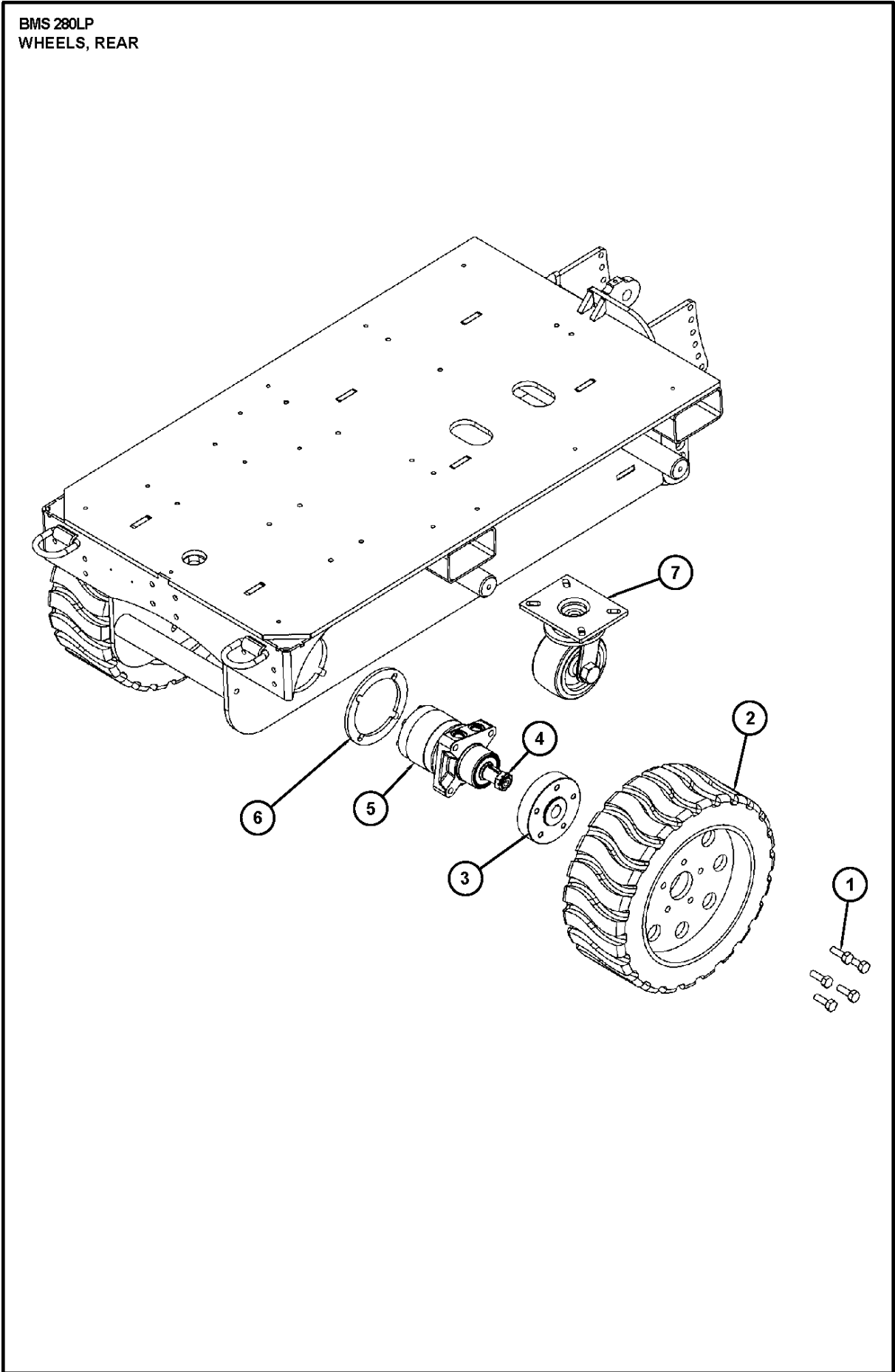
ENGINE

BMS 280P, 2022-04

Ref	Part No	Description	Remark	QTY KIT
1	533 76 08-01	SWITCH	SWITCH	2
2	533 73 85-01	SWITCH	SWITCH	2
3	533 63 41-01	PUMP	PUMP	1
3	533 67 13-01	SPRING	SPRING	2
3	534 08 31-01	SERVICE KIT	SERVICE KIT	2
3	535 30 88-01	HOSE	HOSE	1
4	533 48 46-01	HYDRAULIC PUMP	HYDRAULIC PUMP	1
5	533 98 69-01	COUPLING	COUPLING	1
6	534 08 13-01	UNIT	UNIT	1
7	533 98 18-01	HUB	HUB	1
8	533 78 03-01	FAN COVER	FAN COVER	1
9	533 47 56-01	SHAFT	SHAFT	1
10	533 89 30-01	ENGINE	ENGINE	1
11	535 33 79-01	SPACER	SPACER	1
12	533 02 52-01	NIPPLE	NIPPLE	1
13	533 70 21-01	COLLAR	COLLAR	1
14	533 50 09-01	BRACKET	BRACKET	1
15	533 48 34-01	FITTING	FITTING	1
15	533 79 60-01	FITTING	FITTING	1
15	533 79 61-01	FITTING	FITTING	1
15	533 92 73-01	HOSE ASSY	HOSE ASSY	1
16	535 30 84-01	SENSOR	SENSOR	1
17	534 04 35-01	FAN	FAN	1
18	534 02 77-01	MUFFLER	MUFFLER	1



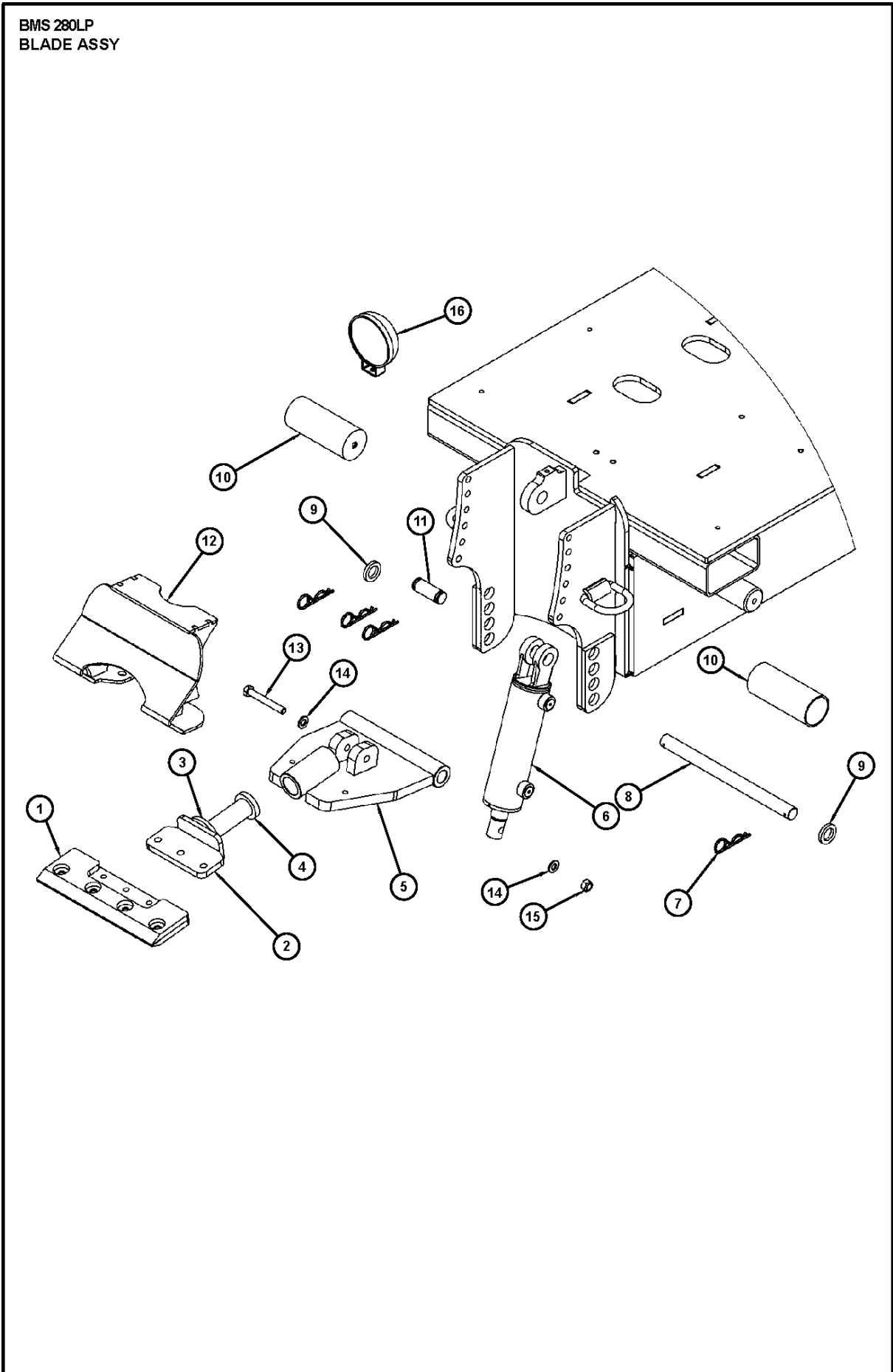
Ref	Part No	Description	Remark	QTY KIT
1	533 34 79-01	PANEL	PANEL	1
2	535 26 67-01	WEIGHT	WEIGHT	30
3	533 63 70-01	HYDRAULIC TANK	HYDRAULIC TANK	2
4	533 71 48-01	FILTER	FILTER	1
5	533 79 98-01	FILTER	FILTER	1
6	533 93 48-01	RELAY	RELAY	1
7	533 54 11-01	FILTER	FILTER	1
8	533 75 86-01	HYDRAULIC TANK	HYDRAULIC TANK	1
9	533 54 98-01	BATTERY	BATTERY	1
10	533 73 84-01	TRAY	TRAY	1
11	533 36 13-01	FRAME	FRAME	1
12	535 23 61-01	SCRAPER	SCRAPER	2
13	533 55 45-01	COVER	COVER	1
14	533 90 55-01	BAR	BAR	1
15	533 88 85-01	BOLT	BOLT	2



WHEEL KIT

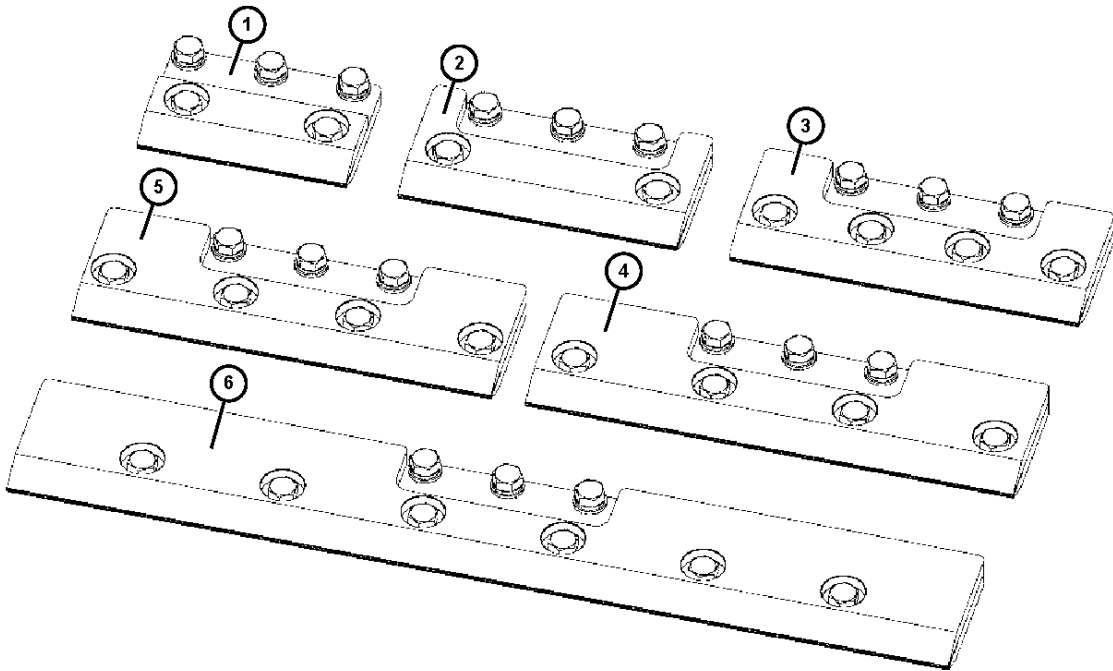
BMS 280P, 2022-04

Ref	Part No	Description	Remark	QTY KIT
1	533 91 78-01	TIRE	TIRE	10
2	533 37 51-01	WHEEL	WHEEL	2
3	533 78 69-01	HUB	HUB	2
4	533 63 49-01	NUT	NUT	2
5	534 04 54-01	MOTOR	MOTOR	2
5	533 76 59-01	MOTOR	MOTOR	2
6	535 16 36-01	FLANGE	FLANGE	2
7	533 91 30-01	CASTER	CASTER	1



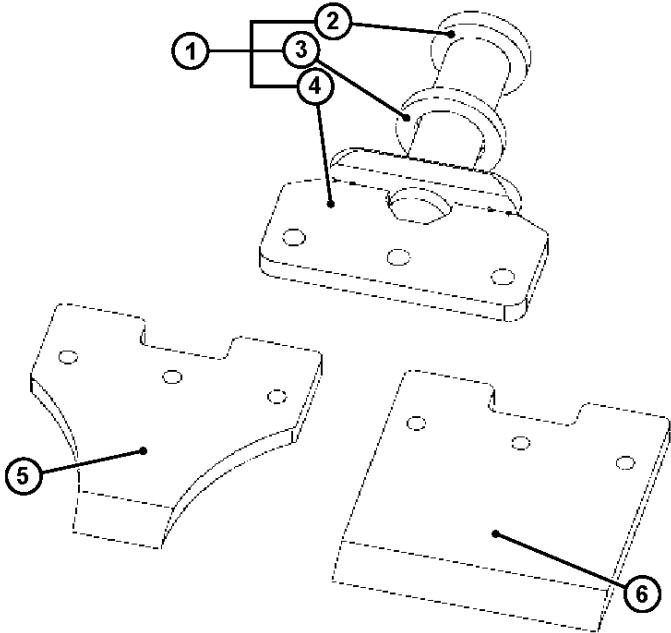
Ref	Part No	Description	Remark	QTY KIT
1	533 11 03-01	TOOL	TOOL	1
2	531 48 84-01	HOLDER	HOLDER	1
3	533 73 63-01	WASHER	WASHER	1
4	533 67 03-01	WASHER	WASHER	1
5	533 92 57-01	SUPPORT	SUPPORT	1
6	533 78 34-01	HYDRAULIC CYLINDER	HYDRAULIC CYLINDER	1
7	533 85 86-01	PIN	PIN	4
8	534 08 03-01	ROD	ROD	1
9	535 24 53-01	SPACER RING	SPACER RING	2
10	533 45 41-01	SUPPORT	SUPPORT	2
11	535 36 77-01	SHAFT	SHAFT	1
12	533 93 20-01	DEFLECTOR	DEFLECTOR	1
13	900 00 00-02	DUMMY PART	DUMMY PART	1
14	900 00 00-02	DUMMY PART	DUMMY PART	2
15	900 00 00-02	DUMMY PART	DUMMY PART	1
16	534 00 85-01	LAMP	LAMP	1

BMS 280LP
BLADE HOLDERS

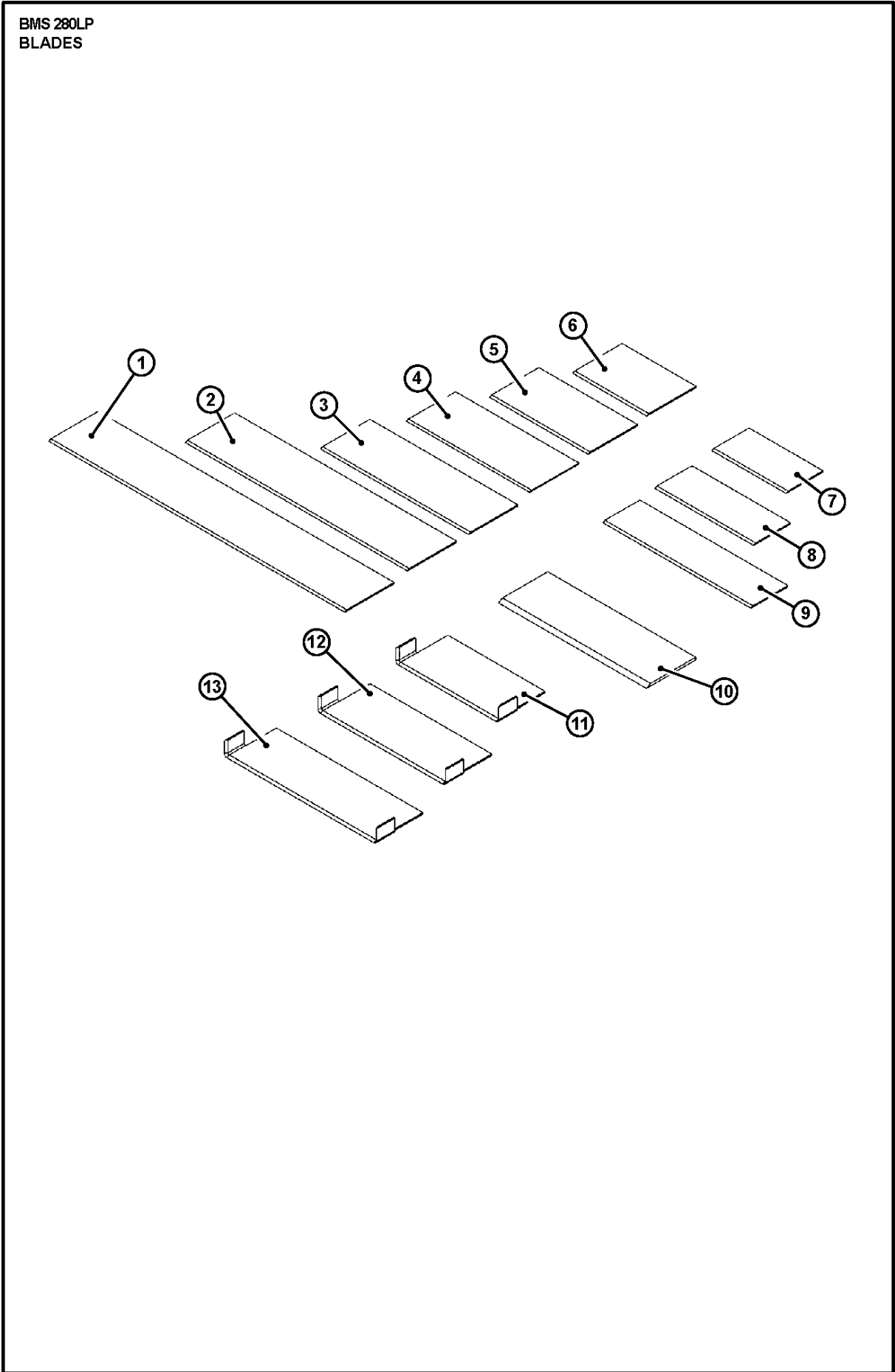


Ref	Part No	Description	Remark	QTY KIT
1	533 33 57-01	BLADE HOLDER	BLADE HOLDER	1
2	533 09 03-01	BLADE HOLDER	BLADE HOLDER	1
3	533 49 56-01	BLADE HOLDER	BLADE HOLDER	1
4	533 11 03-01	TOOL	TOOL	1
5	534 32 92-01	BLADE HOLDER	BLADE HOLDER	1
6	533 33 56-01	BLADE HOLDER	BLADE HOLDER	1

BMS 280LP
CHISEL ASSY

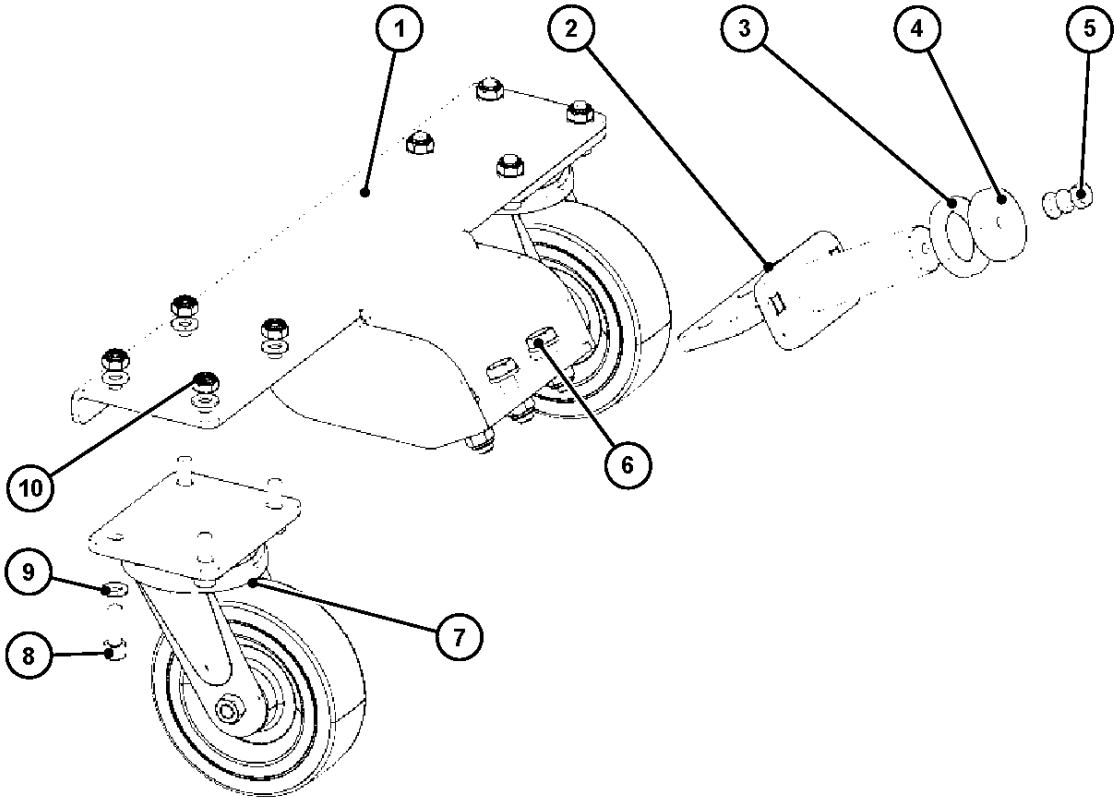


Ref	Part No	Description	Remark	QTY KIT
1	534 04 67-01	HOLDER	HOLDER	1
2	533 67 03-01	WASHER	WASHER	1
3	533 73 63-01	WASHER	WASHER	1
4	531 48 84-01	HOLDER	HOLDER	1
5	533 85 85-01	CHISEL GUIDE	CHISEL GUIDE	1
6	533 86 56-01	CHISEL GUIDE	CHISEL GUIDE	1

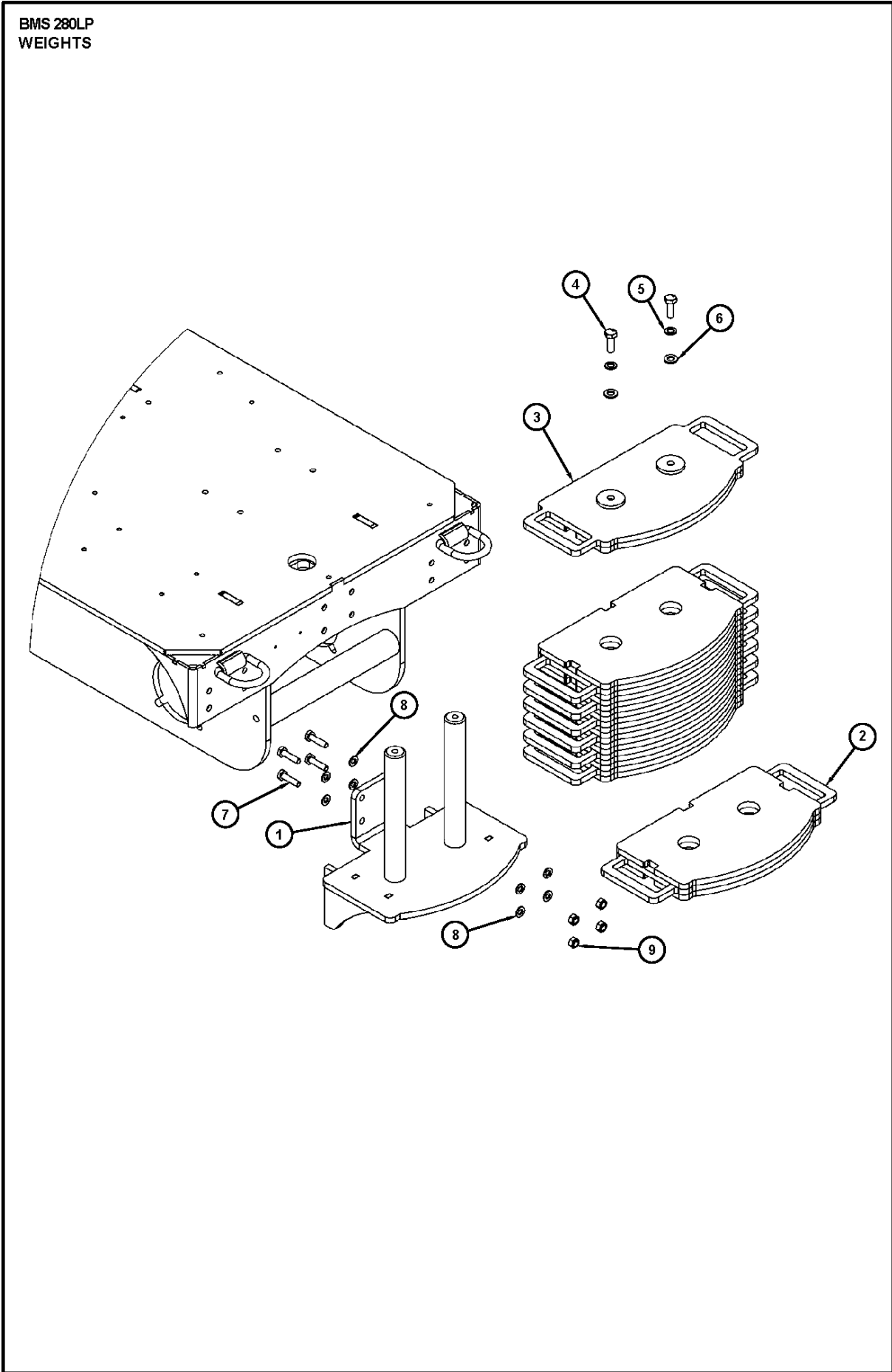


Ref	Part No	Description	Remark	QTY KIT
1	533 86 62-01	BLADE	BLADE	1
2	533 86 60-01	BLADE	BLADE	1
3	533 86 61-01	BLADE	BLADE	1
4	533 82 45-01	BLADE	BLADE	1
5	533 85 15-01	BLADE	BLADE	1
6	533 85 26-01	BLADE	BLADE	1
7	533 85 03-01	BLADE	BLADE	1
8	533 84 20-01	BLADE	BLADE	1
9	533 83 37-01	BLADE	BLADE	1
10	533 86 59-01	BLADE	BLADE	1
11	533 85 73-01	BLADE	BLADE	1
12	533 86 02-01	BLADE	BLADE	1
13	533 85 96-01	BLADE	BLADE	1

BMS 280LP
WHEELS, FRONT



Ref	Part No	Description	Remark	QTY KIT
1	534 72 48-01	MOUNTING BRACKET	MOUNTING BRACKET	1
2	531 48 84-01	HOLDER	HOLDER	1
3	533 73 63-01	WASHER	WASHER	1
4	533 67 03-01	WASHER	WASHER	1
5	900 00 00-02	DUMMY PART	DUMMY PART	1
6	900 00 00-02	DUMMY PART	DUMMY PART	3
7	533 79 34-01	WHEEL	WHEEL	2
8	900 00 00-02	DUMMY PART	DUMMY PART	8
9	900 00 00-02	DUMMY PART	DUMMY PART	17
10	900 00 00-02	DUMMY PART	DUMMY PART	8



Ref	Part No	Description	Remark	QTY KIT
1	535 26 82-01	WEIGHT KIT	WEIGHT KIT	1
2	535 24 64-01	WEIGHT	WEIGHT	7
3	535 24 63-01	CAP	CAP	1
4	900 00 00-02	DUMMY PART	DUMMY PART	2
5	900 00 00-02	DUMMY PART	DUMMY PART	2
6	900 00 00-02	DUMMY PART	DUMMY PART	2
7	900 00 00-02	DUMMY PART	DUMMY PART	4
8	900 00 00-02	DUMMY PART	DUMMY PART	8
9	900 00 00-02	DUMMY PART	DUMMY PART	4