

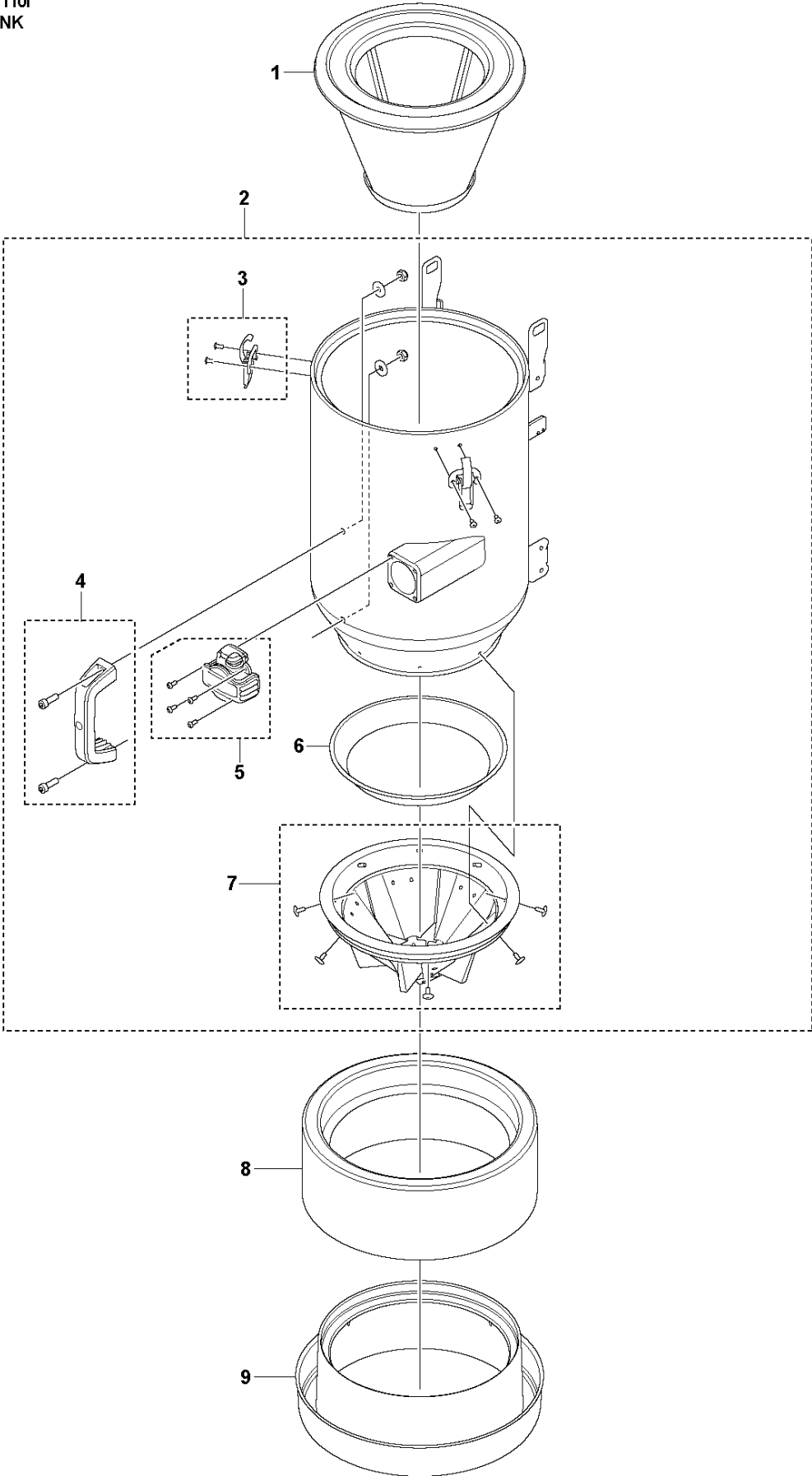


SPARE PARTS LIST

DUST AND SLURRY MANAGEMENT

DE 110i, 2022-01

A DE 110i
TANK

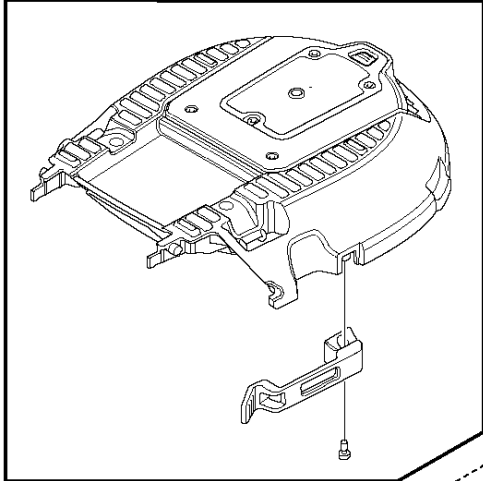


TANK

DE 110i, 2022-01

Ref	Part No	Description	Remark	QTY	KIT
1	536 37 26-01	AIR FILTER		1	
2	534 11 91-01	TANK ASSY		1	1
3	534 11 93-01	BUCKLE		1	1
4	534 11 96-01	HANDLE		1	1
5	534 12 71-01	INLET		1	1
6	531 38 49-01	SUPPORT RING		1	1
7	534 12 74-01	CONE		1	1
8	590 42 92-01	DUST BAG		1	
9	599 15 85-01	HOLDER		1	

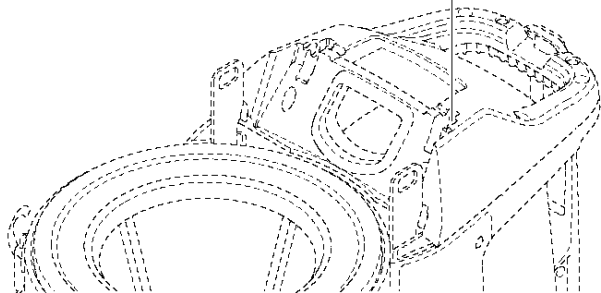
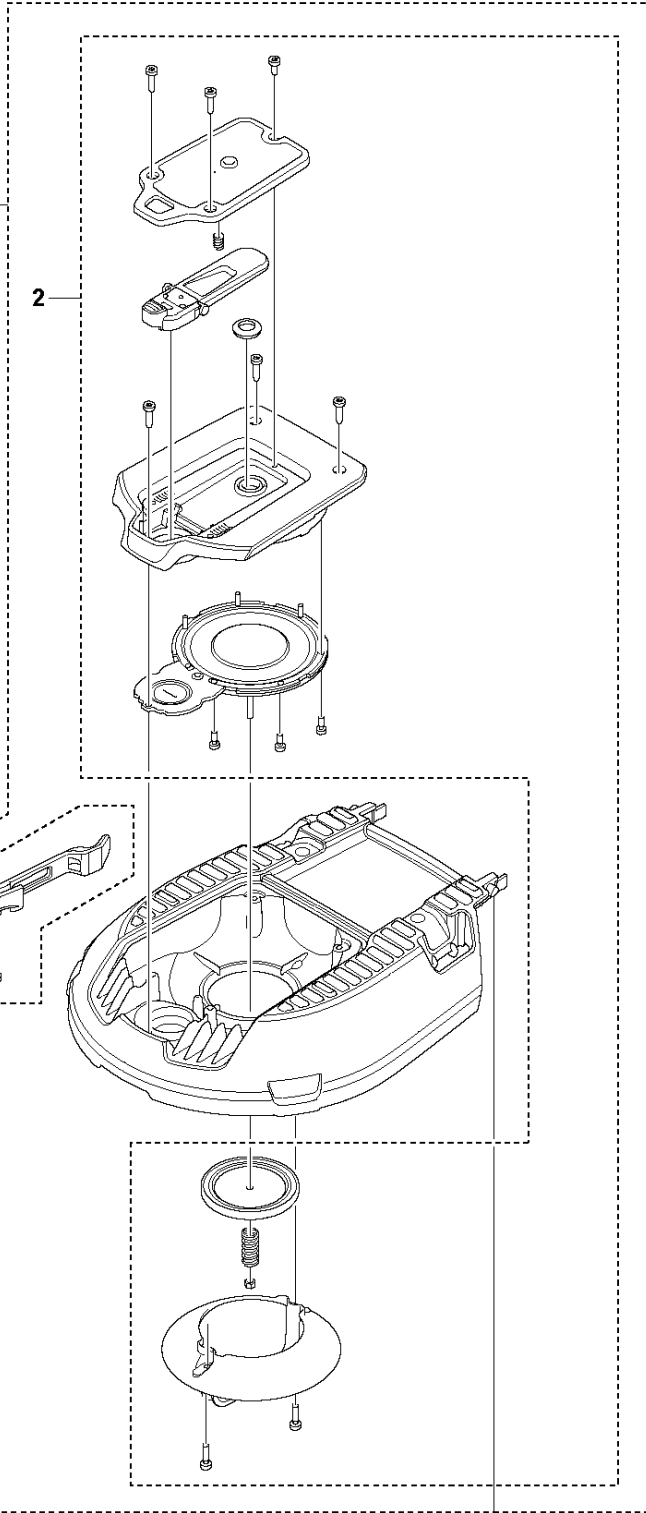
B DE 110i
LID



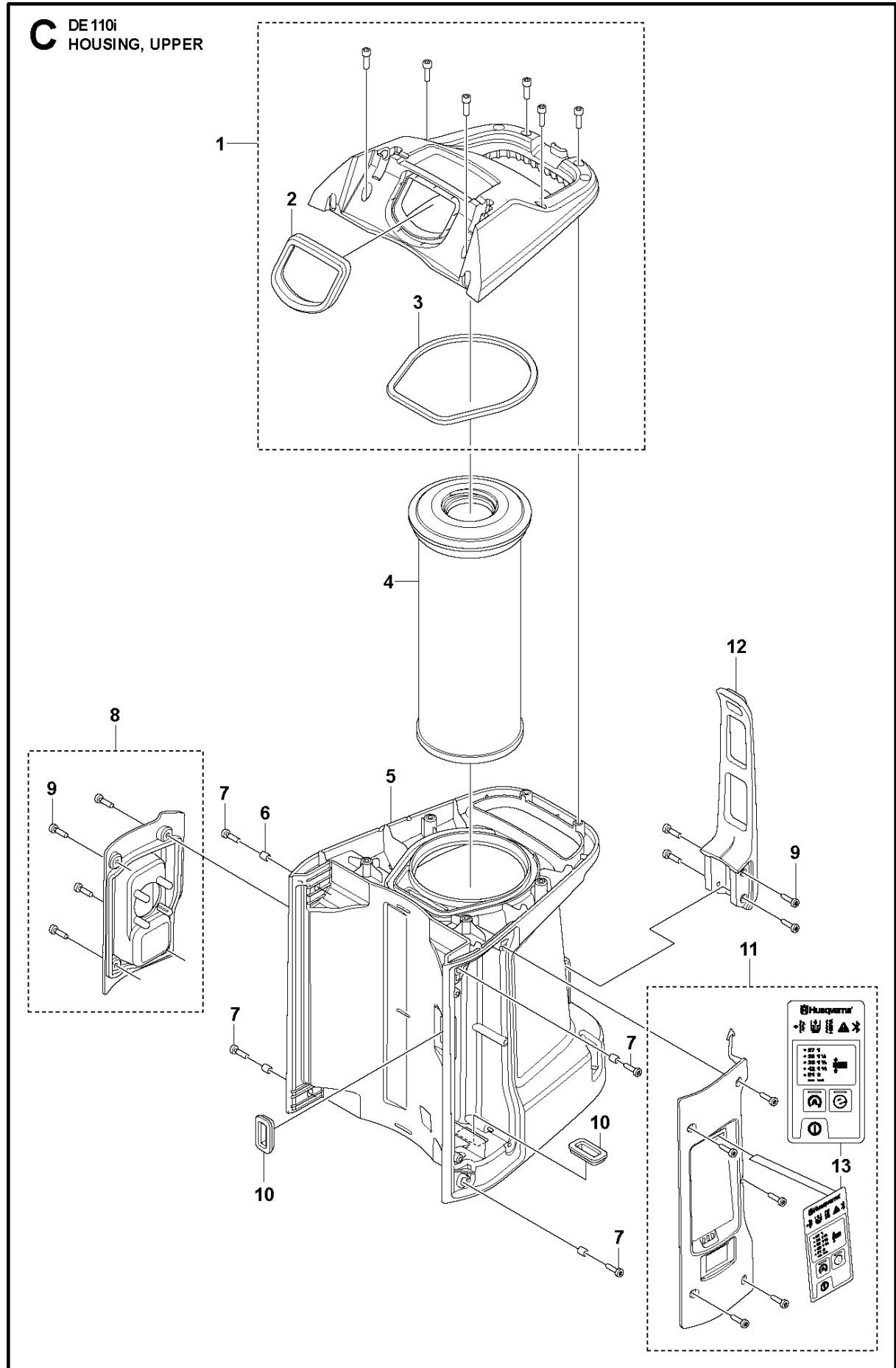
1

2

3

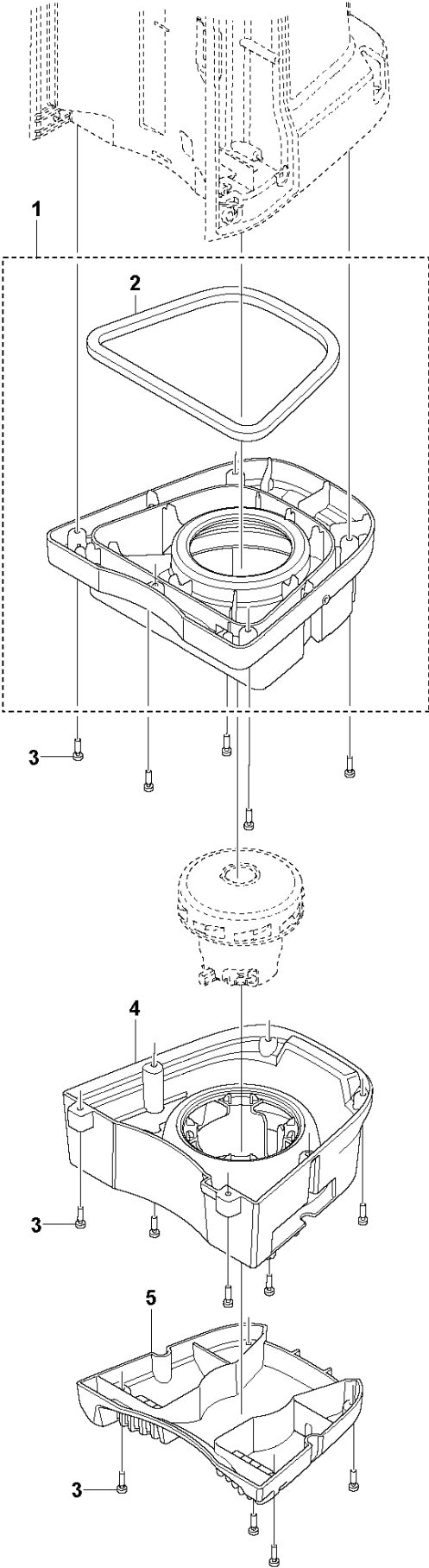


Ref	Part No	Description	Remark	QTY KIT	
1	598 92 87-01	LID ASSY		1	
2	534 12 69-01	LEVER ASSY		1	1
3	534 12 02-01	STRAP		1	1



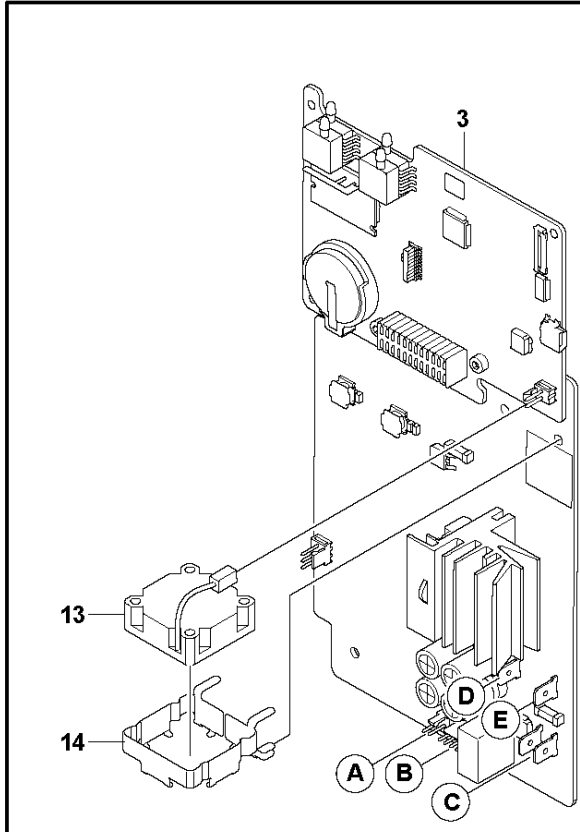
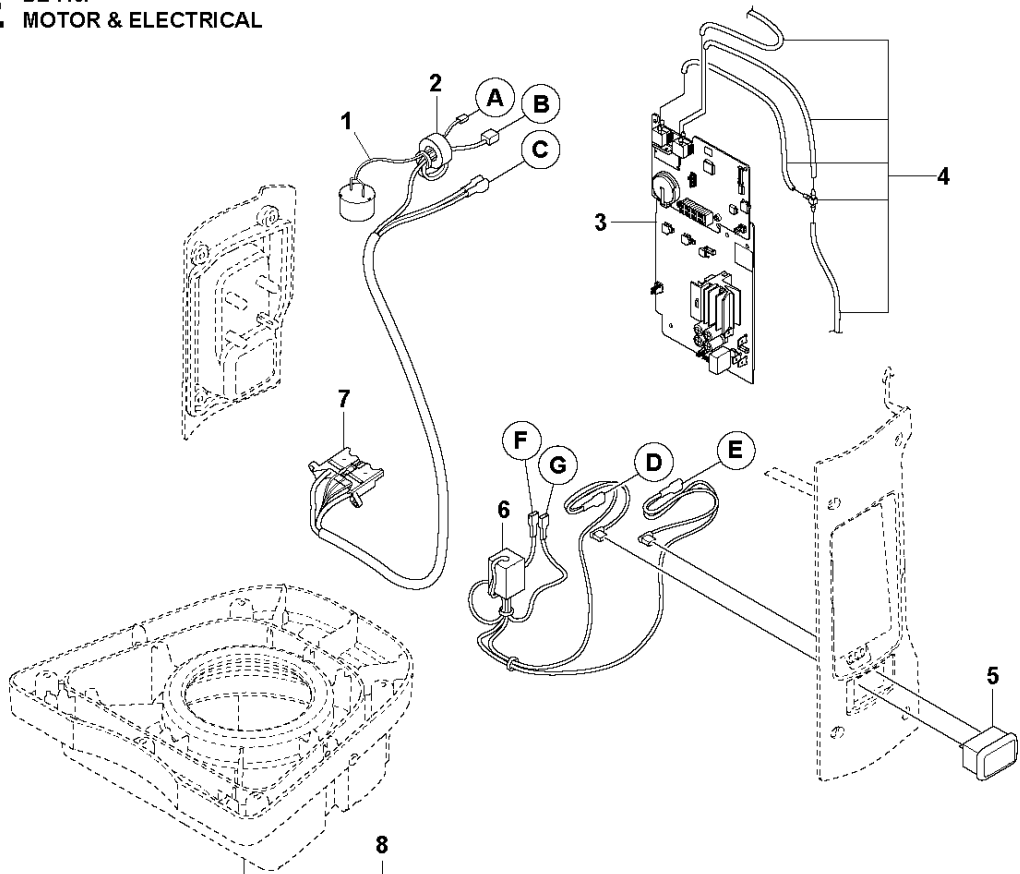
Ref	Part No	Description	Remark	QTY	KIT
1	534 13 60-01	COVER		1	
2	598 83 63-01	SEALING		1	1
3	598 83 64-01	SEALING		1	1
4	534 12 36-01	FILTER		1	
5	598 92 93-01	HOUSING		1	
6	599 83 84-01	BUSHING		1	
7	544 21 84-20	SCREW ITXSCM		1	
8	529 97 47-01	LID	EU/AU/BR	1	
9	599 60 83-01	SCREW ITXSCT	T27 PT5x20	19	8
10	599 62 41-01	SEALING		2	
11	534 12 72-01	LID		1	
12	599 37 96-01	STRAP		1	
13	599 44 50-02	KEYPAD		1	11

D DE 110i
HOUSING, LOWER



Ref	Part No	Description	Remark	QTY	KIT
1	534 13 67-01	COVER		1	
2	599 29 89-01	SEALING		1	1
3	599 60 83-01	SCREW ITXSCT	T27 PT5x20	13	
4	598 88 99-01	MOTOR HOUSING		1	
5	598 89 00-01	COVER		1	

E DE 110i
MOTOR & ELECTRICAL

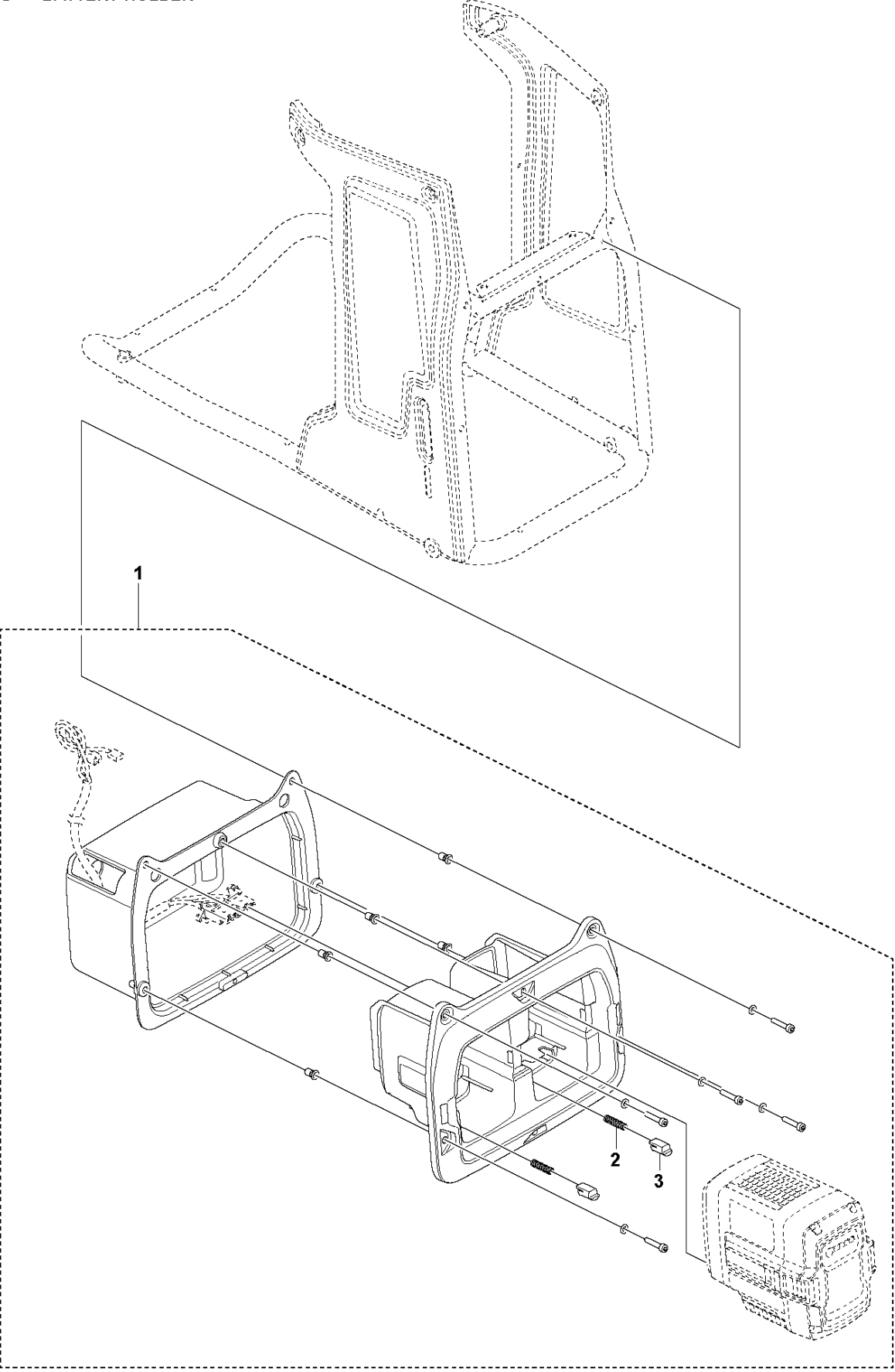


MOTOR & ELECTRICAL

DE 110i, 2022-01

Ref	Part No	Description	Remark	QTY	KIT
0	000 00 00-00	W/O DESCRIPTION	CR2450X / 3V 600mAh	1	
1	599 83 95-01	BUZZER		1	
2	531 13 15-01	FERRITE CORE		1	
3	599 81 99-02	PRINTED CIRCUIT ASSY		1	
4	536 47 80-01	HOSE KIT		1	
5	599 58 92-01	HOUR METER		1	
6	531 13 14-01	FERRITE CORE		1	
7	534 98 81-01	WIRING ASSY		1	
8	536 20 54-01	MOTOR KIT		1	
9	599 29 88-01	SEALING RING		1	8
10	536 50 75-03	BRUSH KIT	36V	1	8
11	536 50 75-04	BRUSH KIT	36V	1	8
12	599 51 03-01	SEALING RING		1	8
13	531 07 00-01	FAN		1	
14	531 11 35-01	BRACKET		1	

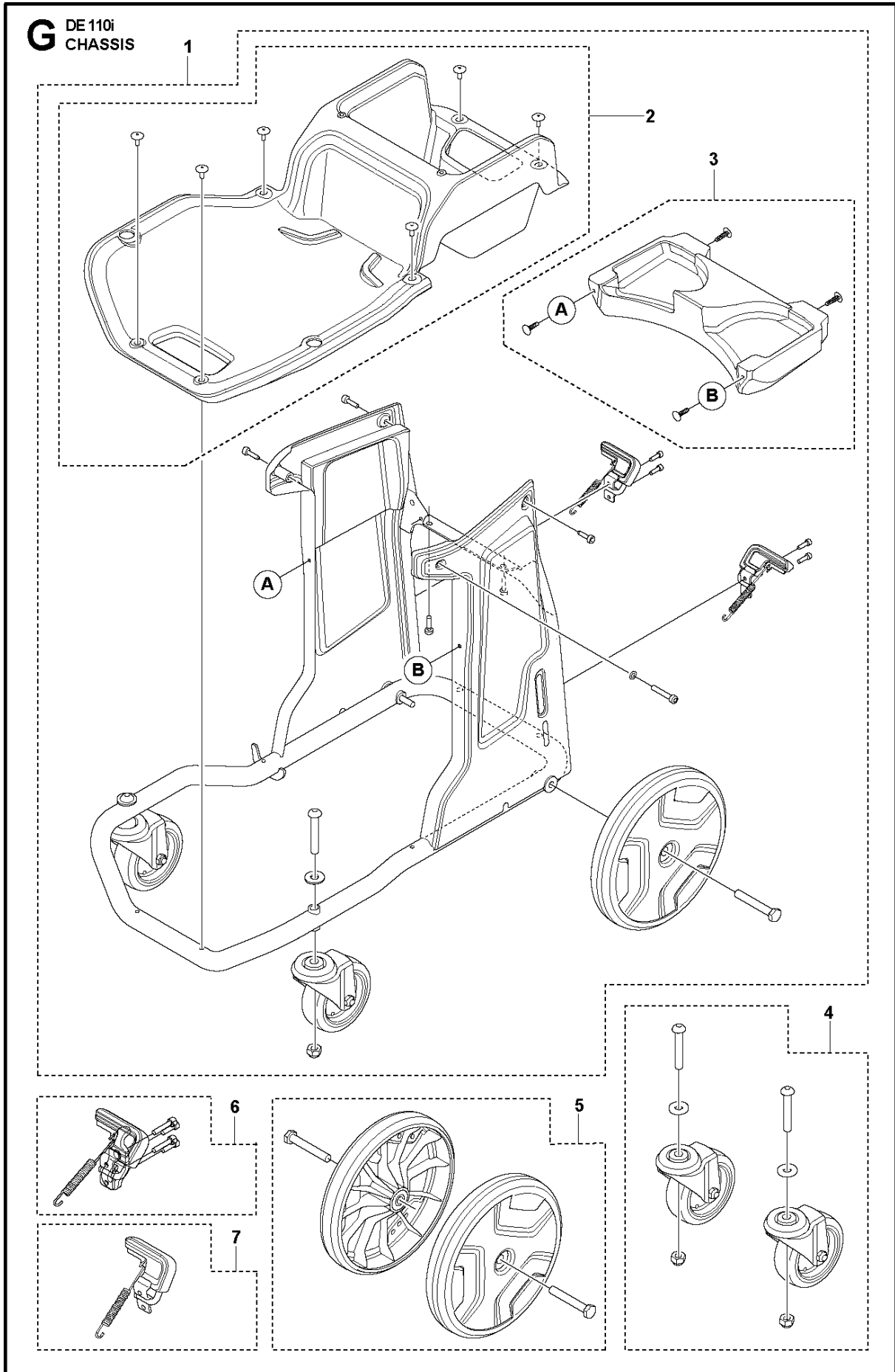
F DE 110i
BATTERY HOLDER



BATTERY HOLDER

DE 110i, 2022-01

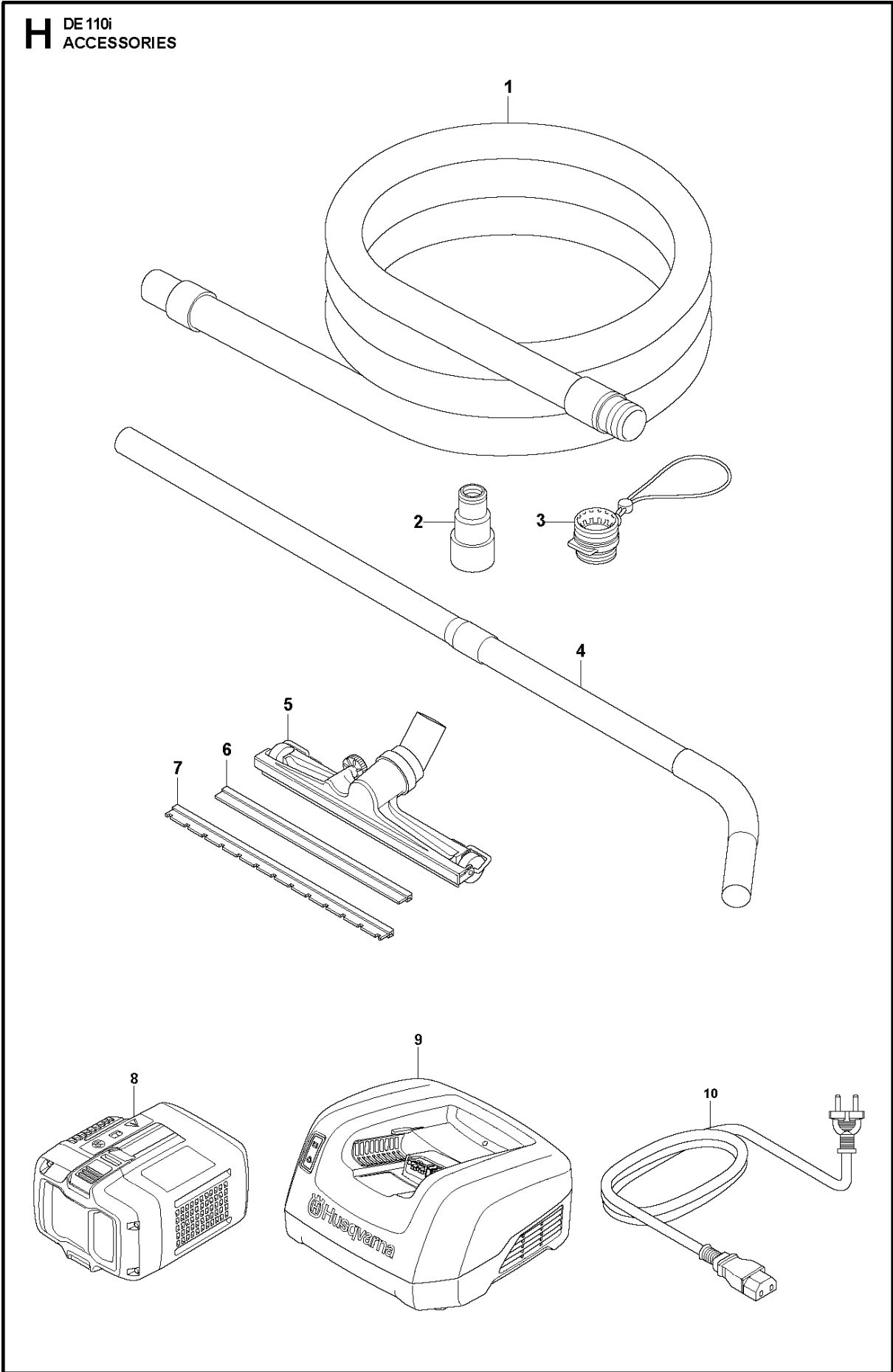
Ref	Part No	Description	Remark	QTY	KIT
1	529 33 50-01	BATTERY SYSTEM		1	
2	585 48 00-01	SPRING		2	1
3	577 99 66-01	PUSH BUTTON		2	1



CHASSIS

DE 110i, 2022-01

Ref	Part No	Description	Remark	QTY	KIT
1	599 56 25-01	FRAME ASSY		1	
2	534 12 76-01	TRAY		1	1
3	534 13 49-01	DUCT		1	1
4	534 12 51-01	WHEEL KIT		1	
5	534 12 52-01	REAR WHEEL	ø220	1	
6	529 74 66-01	BRAKE ASSY		2	
7	535 28 28-01	BRACKET		1	

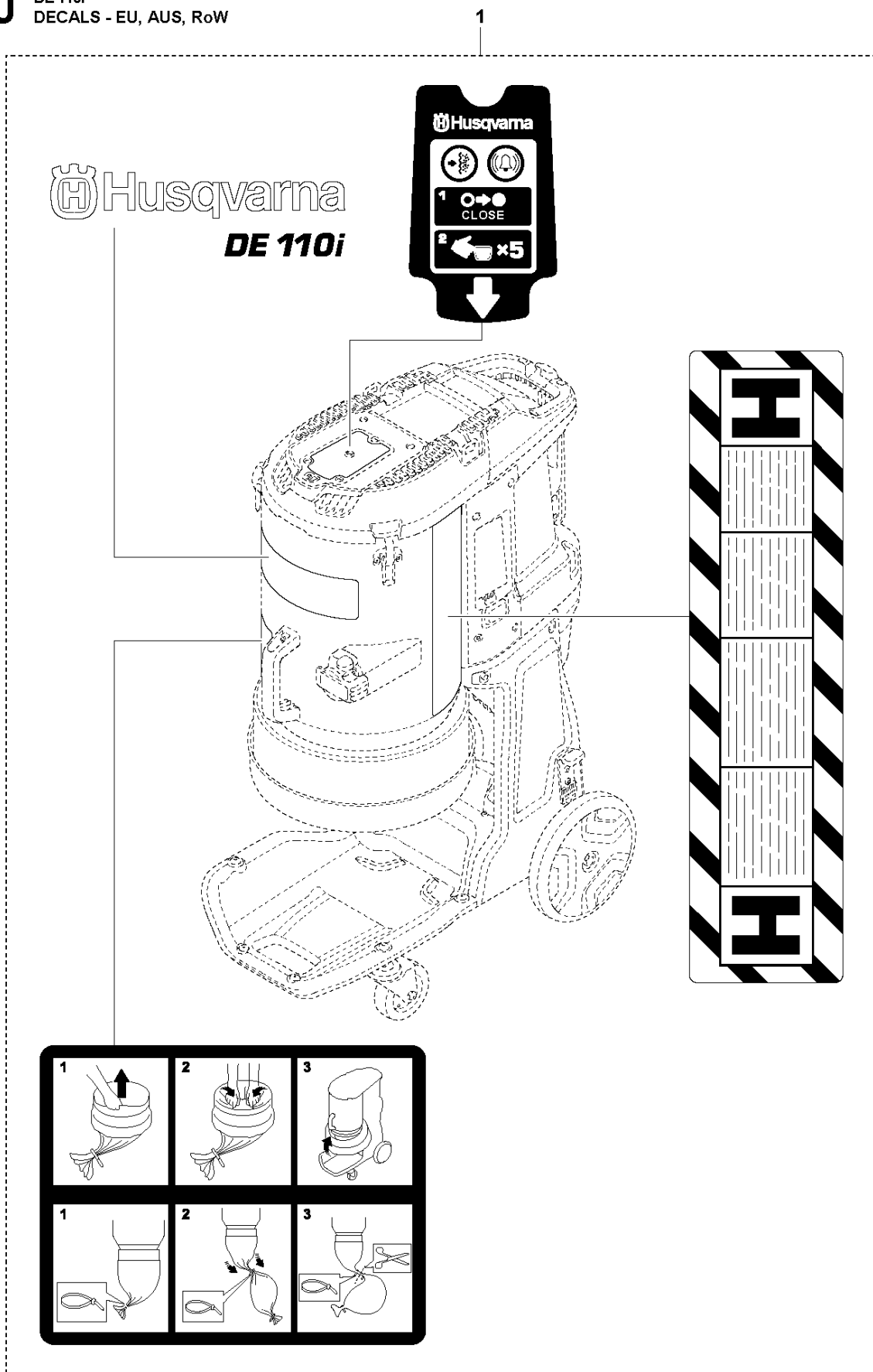


ACCESSORIES

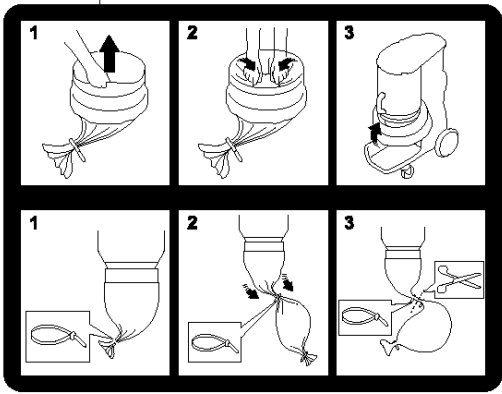
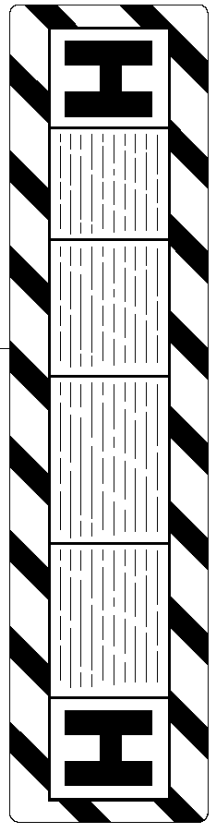
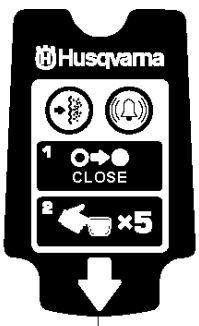
DE 110i, 2022-01

Ref	Part No	Description	Remark	QTY KIT
1	536 35 53-01	SUCTION HOSE ASSY	38mm/5m w adapters	1
1	536 35 54-01	SUCTION HOSE ASSY	38mm/5m w adapters	1
1	529 56 94-01	HOSE	38mm/30m w/o adapters	1
1	529 45 90-01	HOSE	38mm/30m w/o adapters	1
2	536 34 95-01	ADAPTER	38mm Swiveling	1
2	536 34 43-01	ADAPTER	38mm Swiveling hose-wand	1
2	536 34 45-01	HOSE CONNECTOR	38mm hose-machine	1
2	594 95 69-01	ADAPTER	38mm	1
2	536 13 44-01	ADAPTER	hose/hose connector	1
3	531 36 35-01	CAP ASSY	38mm	1
4	536 34 41-01	WAND	38mm	1
5	529 80 50-01	NOZZLE	370mm	1
6	529 80 42-01	TOOL	370mm	2
7	599 59 41-01	BRUSH KIT	370mm	2
8	967 07 19-01	BATTERY	Bli 300	1
8	967 09 19-01	BATTERY	Bli 200	1
9	970 44 95-01	BATTERY CHARGER	QC500 EU	1
9	970 44 95-02	BATTERY CHARGER	QC500 UK	1
9	970 44 95-05	BATTERY CHARGER	QC500 AU/NZ/ARG	1
9	970 44 95-06	BATTERY CHARGER	QC500 CH	1
9	967 96 50-03	BATTERY CHARGER	QC500 NA	1
10	582 60 74-01	WIRING ASSY	EU	1
10	582 60 77-01	WIRING ASSY	UK	1
10	581 29 50-01	MAINS CABLE	AUS/NZ/ARG	1
10	582 63 97-01	WIRING ASSY	CH	1
10	579 13 04-01	CABLE	NA	1

J DE 110i
DECALS - EU, AUS, RoW



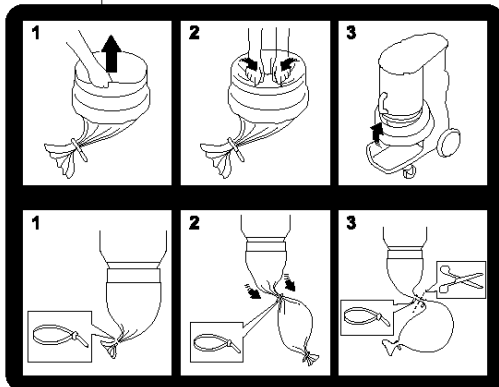
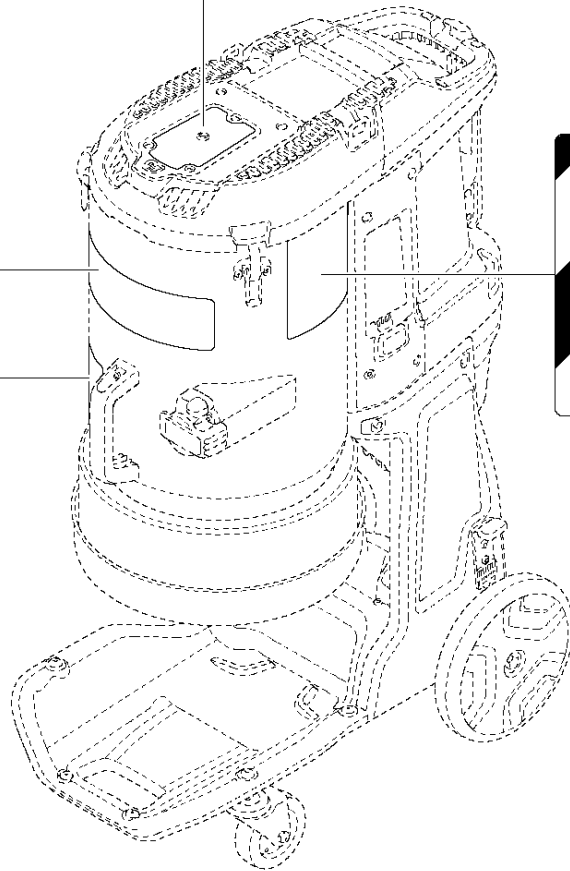
Husqvarna
DE 110i



Ref	Part No	Description	Remark	QTY KIT
1	000 00 00-00	W/O DESCRIPTION		1

K DE 110i
DECALS - NA

 **Husqvarna**
DE 110i



Ref	Part No	Description	Remark	QTY KIT
1	000 00 00-00	W/O DESCRIPTION		1