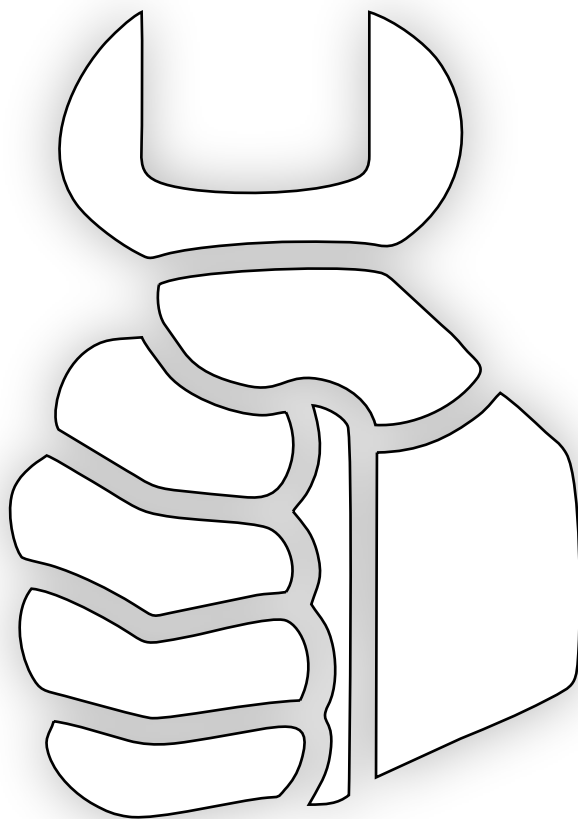


Parts online

Spare parts list



Contents

LG500120 LG500 SN 35001253 - 35007917	
LG500120 LG500 SN 35001253 - 35007917	1
Ground plate	
Ground plate	3
Engine plate and frame	
Engine plate and frame	5
Engine plate and frame	
Engine plate and frame	8
V-belt cover Up to SN 35001514	
V-belt cover Up to SN 35001514	11
V-belt cover From SN 35001515	
V-belt cover From SN 35001515	13
Option	
Option	15
Eccentric element	
Eccentric element	17
Eccentric element	
Eccentric element	19
Engine and engine spacer installation	
Engine and engine spacer installation	23
Engine Hatz 1D81Z	
Engine Hatz 1D81Z	25
Engine spacer installation	
Engine spacer installation	29
Power transmission	
Power transmission	31
Clutch Up to S/N 35001514	
Clutch Up to S/N 35001514	33
Clutch From S/N 35001515	
Clutch From S/N 35001515	36
Belt tightener	
Belt tightener	39
Hydraulic system	
Hydraulic system	41
Hydraulic system	
Hydraulic system	43
Hydraulic tank	
Hydraulic tank	46
Hydraulic tank	

Hydraulic tank	See page 46
Electrical equipment	
Electrical equipment	50
Control panel, Up to S/N: 35002609, 11-31, 33-53, 55-60, 63-78	
Control panel, Up to S/N: 35002609, 11-31, 33-53, 55-60, 63-78	53
Control panel, From S/N: 35002610, 32, 54, 61-62, 79-	
Control panel, From S/N: 35002610, 32, 54, 61-62, 79-	55
Battery and battery box	
Battery and battery box	57
Handle and controls	
Handle and controls	59
Handle, Up to S/N: 35002609, 11-31, 33-53, 55-60, 63-78	
Handle, Up to S/N: 35002609, 11-31, 33-53, 55-60, 63-78	61
Handle, From S/N: 35002610, 32, 54, 61-62, 79-	
Handle, From S/N: 35002610, 32, 54, 61-62, 79-	64
Option, dead man handle	
Option, dead man handle	68
Throttle control	
Throttle control	71
Decals and equipment	
Decals and equipment	74
Decals and equipment	
Decals and equipment	77

LG500120 LG500 SN 35001253 - 35007917 LG500120 LG500 SN 35001253 - 35007917



Refer to the Parts Online web page for most up-to-date information. The printed information might be outdated.

Tue Jul 19 05:22:24 MDT 2016

Item	Part No.	Name	Qty	L
10	-	Ground plate		
20	-	Eccentric element		
30	-	Engine and engine spacer installation		
40	-	Power transmission		
50	-	Hydraulic system		
60	-	Electric equipment		
70	-	Handle and controls		
80	-	Decals and equipment		

Refer to the Parts Online web page for most up-to-date information. The printed information might be outdated.

Tue Jul 19 05:22:24 MDT 2016

Ground plate Ground plate

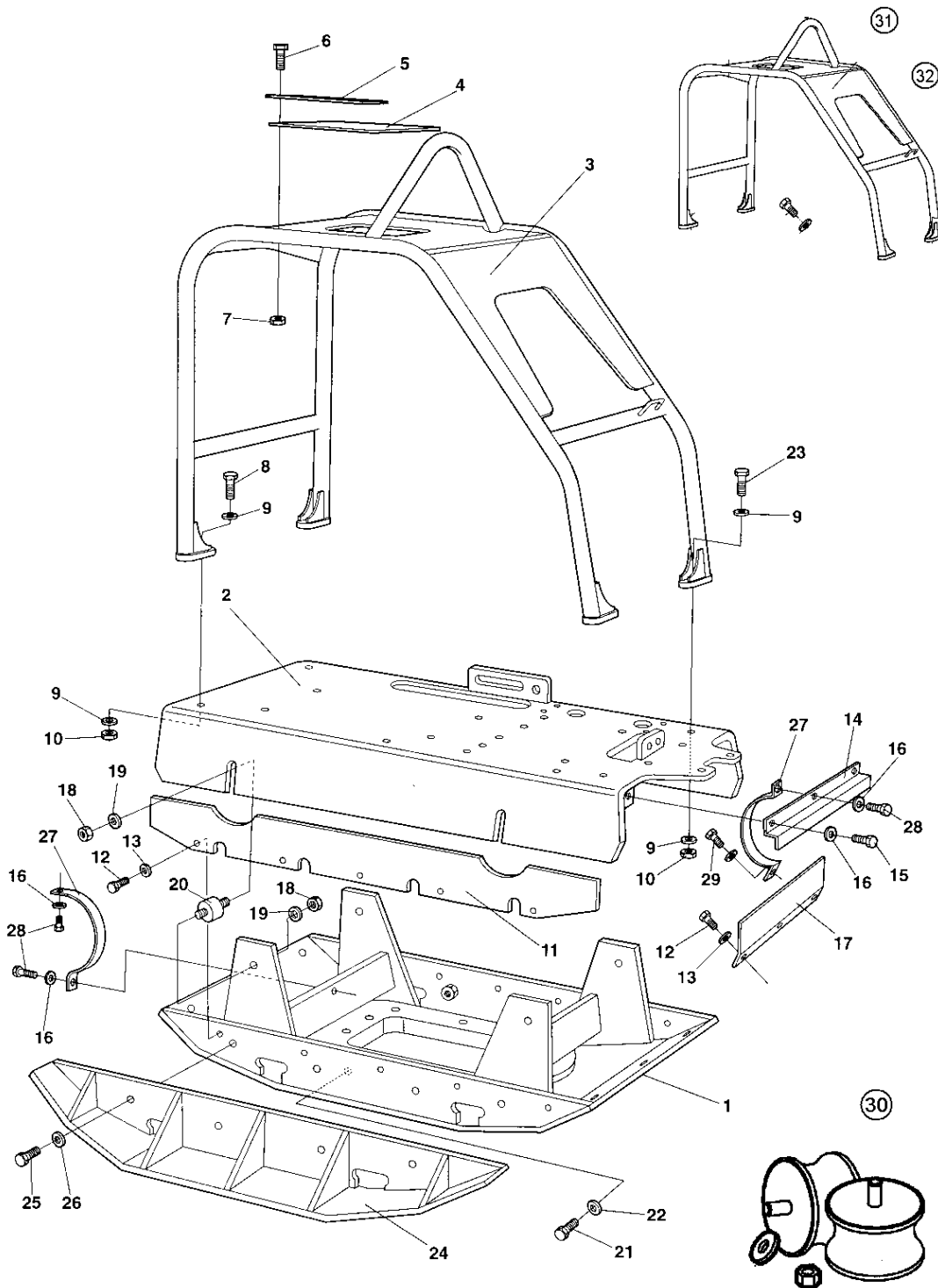
**NO DRAWING
AVAILABLE
FOR THIS BOM**

Item	Part No.	Name	Qty	L
10	-	Engine plate and frame		
20	-	Engine plate and frame		
30	-	V-belt cover Up to SN 35001514		
40	-	V-belt cover From SN 35001515		
50	-	Option		

Refer to the Parts Online web page for most up-to-date information. The printed information might be outdated.

Tue Jul 19 05:22:24 MDT 2016

Engine plate and frame Engine plate and frame



Refer to the Parts Online web page for most up-to-date information. The printed information might be outdated.

Tue Jul 19 05:22:25 MDT 2016

Item	Part No.	Name	Qty	L
1	4700282714	Ground plate	1	
2	D281490-01	Engine plate	1	D
3	4700281475	Protective frame	1	
3	4700386612	Protective frame	1	
4	4700281485	Cover	1	
5	4700281484	Bracket	1	
6	4700902520	Screw	3	
7	4700902286	Lock nut, M8x1.25 mm A2K	3	
8	4700508036	Screw, M16 x 60 mm 8.8 A3K	2	
9	4700904558	Washer, 17x30x6 mm 300 HV	8	
10	4700586021	Lock nut	4	
11	4700282704	Plastic cover	2	A
12	4700500048	Screw, M10x20 mm 8.8 A3K	16	
13	4700928441	Washer, 21 x 45 mm	16	
14	D281482-01	Plate	1	
15	4700500051	Hex. screw	2	
16	4700924543	Washer, 13 x 36 x 6 mm, 0.51 x 1.42 x 0.24 in. 300 HV	5	
17	4700282705	Plastic cover	2	B
17	4700386349	Plastic cover	1	
18	4700570008	Hex. nut	8	
19	4700904232	Steel plain washer	8	
20	4700280454	Shock absorber	4	
21	4700508028	Screw, M10x20H	1	
22	4700747541	Copper washer, 16.7 x 24 x 1.5 mm, 0.66 x 0.94 x 0.06 in. TYPE A, M16	2	
23	4700508036	Screw, M16 x 60 mm 8.8 A3K	2	
24	4700280544	Extension plate	2	C
25	4700500101	Screw M20 x 50 mm	8	
26	4700615047	Conical spring washer	8	
27	4700283075	Strap	2	
28	4700500035	Hexagon screw, M12x20H	3	
29	4700500028	Screw, M10 x 25 mm 8.8 A3K	1	
30	4812155299	Repair kit, shock absorbers	1	
30	-	Item 18	8	
30	-	Item 19	8	

Refer to the Parts Online web page for most up-to-date information. The printed information might be outdated.

Tue Jul 19 05:22:25 MDT 2016

Item	Part No.	Name	Qty	L
30	-	Item 20	4	
31	4812155354	Repair kit, protective frame	1	F
31	-	Item 3	1	
31	-	Item 23	4	
31	-	Item 9	4	
31	-	Decal, lifting point	1	
31	-	Item 4	1	
31	-	Item 5	1	
31	-	Item 6	3	
32	4812155355	Repair kit, protective frame	1	G
32	-	Item 3A	1	
32	-	Item 23	4	
32	-	Item 9	4	
32	-	Decal, lifting point	1	
32	-	Item 4	1	
32	-	Item 5	1	
32	-	Item 6	3	

Comments for Page: Engine plate and frame

(L)OCAL REMARKS

A | en_US | Long side

B | en_US | Short side

C | en_US | Option

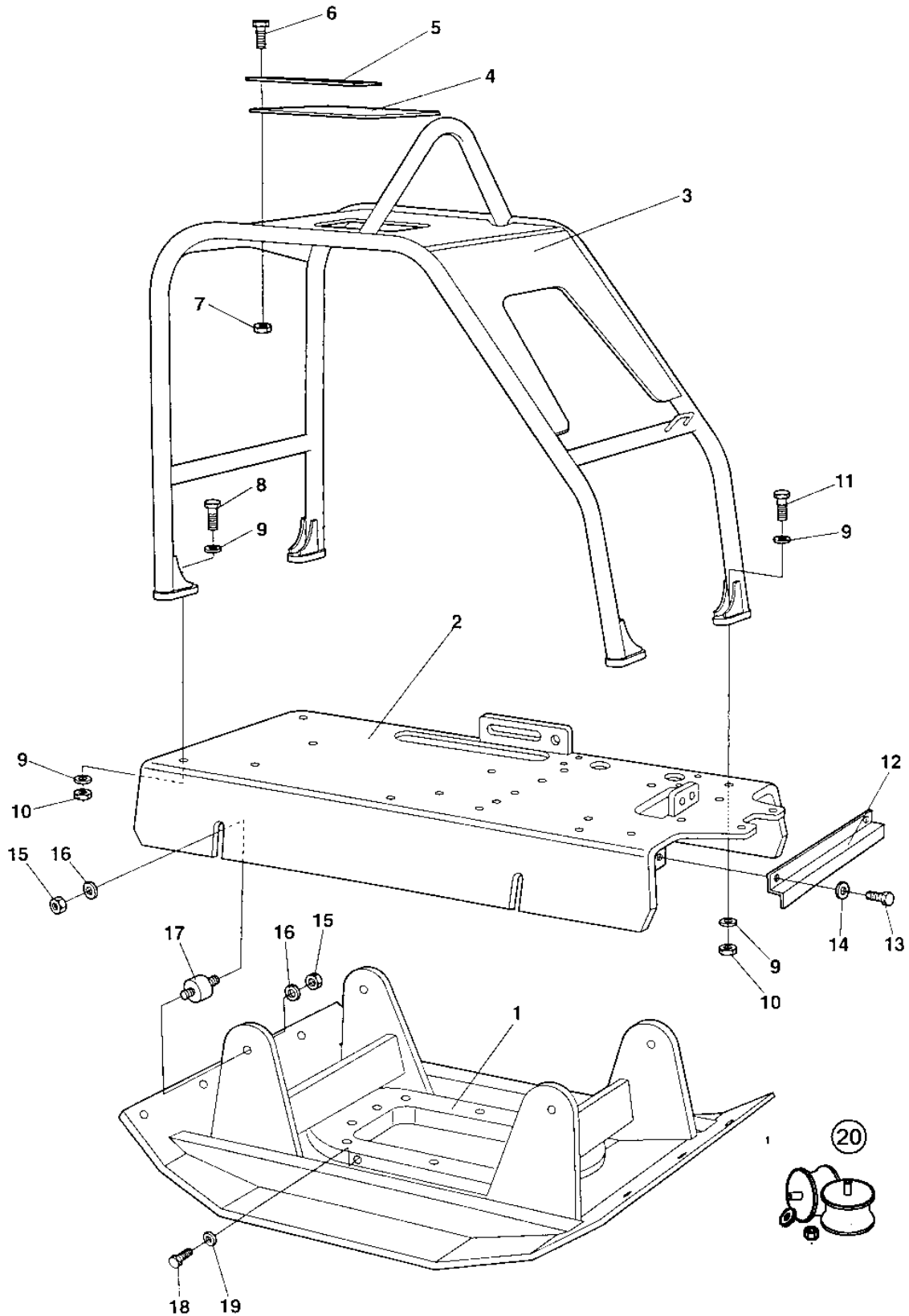
D | en_US | New version is equipped with welded engine spacers

F | en_US | Valid up to SN: 35001514

G | en_US | Valid from S/N: 35001515

This page intentionally left blank

Engine plate and frame Engine plate and frame



Refer to the Parts Online web page for most up-to-date information. The printed information might be outdated.

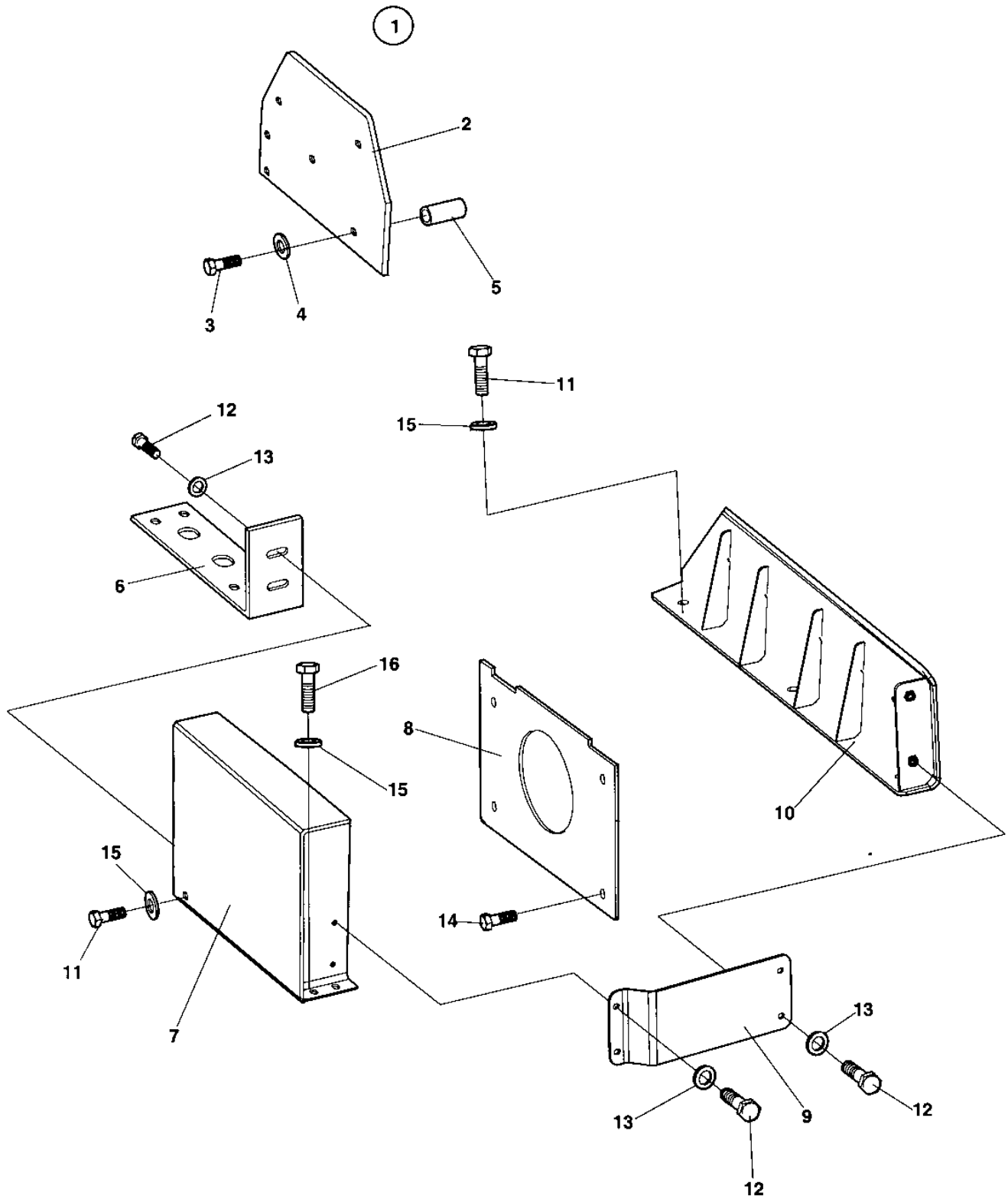
Tue Jul 19 05:22:27 MDT 2016

Item	Part No.	Name	Qty	L
1	4700389108	Ground plate	1	
2	D281490-01	Engine plate	1	
3	4700281475	Protective frame	1	
4	4700281485	Cover	1	
5	4700281484	Bracket	1	
6	4700902520	Screw	3	
7	4700902286	Lock nut, M8x1.25 mm A2K	3	
8	4700508036	Screw, M16 x 60 mm 8.8 A3K	2	
9	4700904558	Washer, 17x30x6 mm 300 HV	8	
10	4700586021	Lock nut	4	
11	4700508036	Screw, M16 x 60 mm 8.8 A3K	2	
12	D281482-01	Plate	1	
13	4700500051	Hex. screw	2	
14	4700904213	Steel Plain Washer	2	
15	4700570008	Hex. nut	8	
16	4700904232	Steel plain washer	8	
17	4700280454	Shock absorber	4	
18	4700508028	Screw, M10x20H	1	
19	4700747541	Copper washer, 16.7 x 24 x 1.5 mm, 0.66 x 0.94 x 0.06 in. TYPE A, M16	2	
20	4812155299	Repair kit, shock absorbers	1	
20	-	Item 15	8	
20	-	Item 16	8	
20	-	Item 17	4	

Refer to the Parts Online web page for most up-to-date information. The printed information might be outdated.

Tue Jul 19 05:22:27 MDT 2016

V-belt cover Up to SN 35001514 V-belt cover Up to SN 35001514



Refer to the Parts Online web page for most up-to-date information. The printed information might be outdated.

Tue Jul 19 05:22:27 MDT 2016

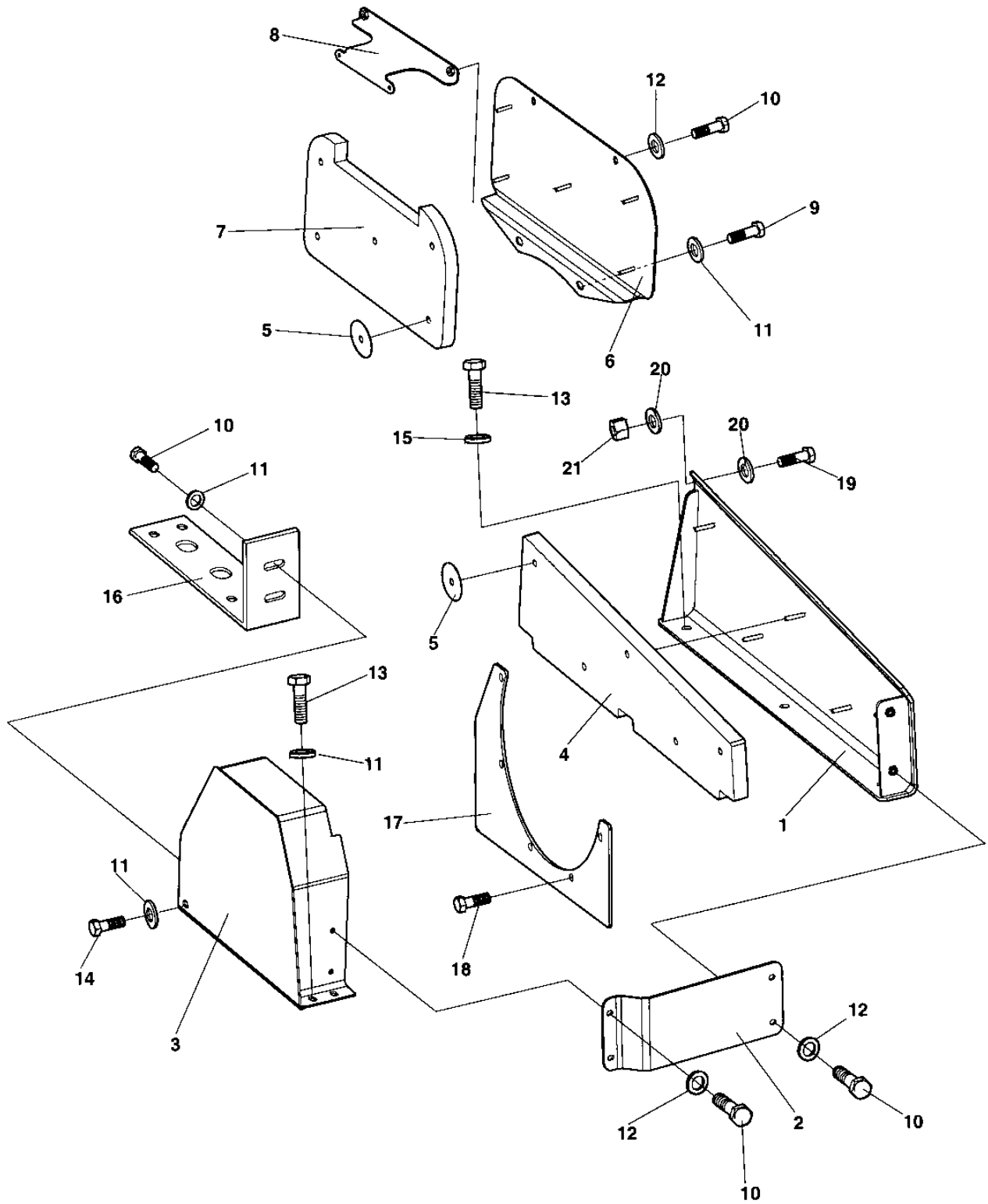
Item	Part No.	Name	Qty	L
1	-	Plate, cpl	1	A
2	4700281256	Plate	1	
3	4700500067	Screw	4	
4	4700615045	Conical spring washer	4	
5	4700281257	Spacer	4	
6	4700382119	Bracket	1	
7	D384012-02	V-belt cover	1	
8	4700281148	V-belt cover, inner	1	
9	D281488-02	Front plate	1	
10	D281478-02	Protecting plate	1	
11	4700500035	Hexagon screw, M12x20H	4	
12	4700500053	Screw, M8x20 mm 8.8 A2K	4	
13	4700904556	Steel plain washer 8,4x16x3,0	4	
14	4700500048	Screw, M10x20 mm 8.8 A3K	4	
15	4700904213	Steel Plain Washer	6	
16	4700500051	Hex. screw	2	

Comments for Page: V-belt cover Up to SN 35001514

(L)OCAL REMARKS

A | en_US | Option

V-belt cover From SN 35001515 V-belt cover From SN 35001515



Refer to the Parts Online web page for most up-to-date information. The printed information might be outdated.

Tue Jul 19 05:22:28 MDT 2016

Item	Part No.	Name	Qty	L
1	D386614-02	Protective cover	1	
2	D386314-02	Bracket	1	
3	D386315-02	V-belt cover	1	
4	4700386599	Insulation	1	
5	4700373476	Insulating washer	10	
6	4700386313	Cover	1	
7	4700386393	Insulation	1	
8	4700386369	Bracket	1	
9	4700500056	Screw, M12x45 mm 8.8 A3K	2	
10	4700500021	Screw, M8x25 mm 8.8 A2K	8	
11	4700904213	Steel Plain Washer	4	
12	4700904556	Steel plain washer 8,4x16x3,0	8	
13	4700500051	Hex. screw	5	
14	4700500035	Hexagon screw, M12x20H	1	
15	4700904213	Steel Plain Washer	3	
16	4700382119	Bracket	1	A
16	4700394699	Bracket	1	B
17	4700386316	Inner cover	1	
18	4700500048	Screw, M10x20 mm 8.8 A3K	5	
19	4700500029	Screw M10x30	2	
20	4700904557	Washer, 10.5x22x4 mm 300 HV	4	
21	4700570006	Hex. nut	2	

Comments for Page: V-belt cover From SN 35001515

(L)OCAL REMARKS

A | en_US | Old version, hight = 150 mm

B | en_US | New version, hight = 135 mm. Use together with P/N: 384230. See section hydraulic oil tank, item 17

Refer to the Parts Online web page for most up-to-date information. The printed information might be outdated.

Tue Jul 19 05:22:29 MDT 2016

Option Option

Image does not exist

Item	Part No.	Name	Qty	L
1	-	Extension plate, cpl	1	
2	4700280544	Extension plate	2	
3	4700500101	Screw M20 x 50 mm	8	
4	4700615047	Conical spring washer	8	
5	-	Not used on this model		
6	-	Not used on this model		
7	4700281879	Not used on this model		
8	4700586019	Lock nut, M12		
9	4700600009	Washer		
10	4700500133	Screw		
11	-	Polyurethane plate, cpl	1	
12	4700586018	Lock nut M10	8	D
12	4700902287	Nut, M10	8	C
13	4700381902	Bracket	2	D
13	4700382008	Bracket	2	C
14	4700904341	Coach bolt	8	C
14	4700500161	Screw	8	D
15	4700280888	Polyurethane plate	1	A
15	4700381903	Polyurethane plate	1	B
16	4700904230	Plain washer 10.5x22x2 mm	8	D, E

Comments for Page: Option

(L)OCAL REMARKS

A | en_US | Widht = 750 mm

B | en_US | Widht = 850 mm, use together with extension plates

C | en_US | Part for polyurethane plate 280888

D | en_US | Part for polyurethane plate 381903

E | en_US | Mounted between bracket and screw

Refer to the Parts Online web page for most up-to-date information. The printed information might be outdated.

Tue Jul 19 05:22:30 MDT 2016

Eccentric element Eccentric element

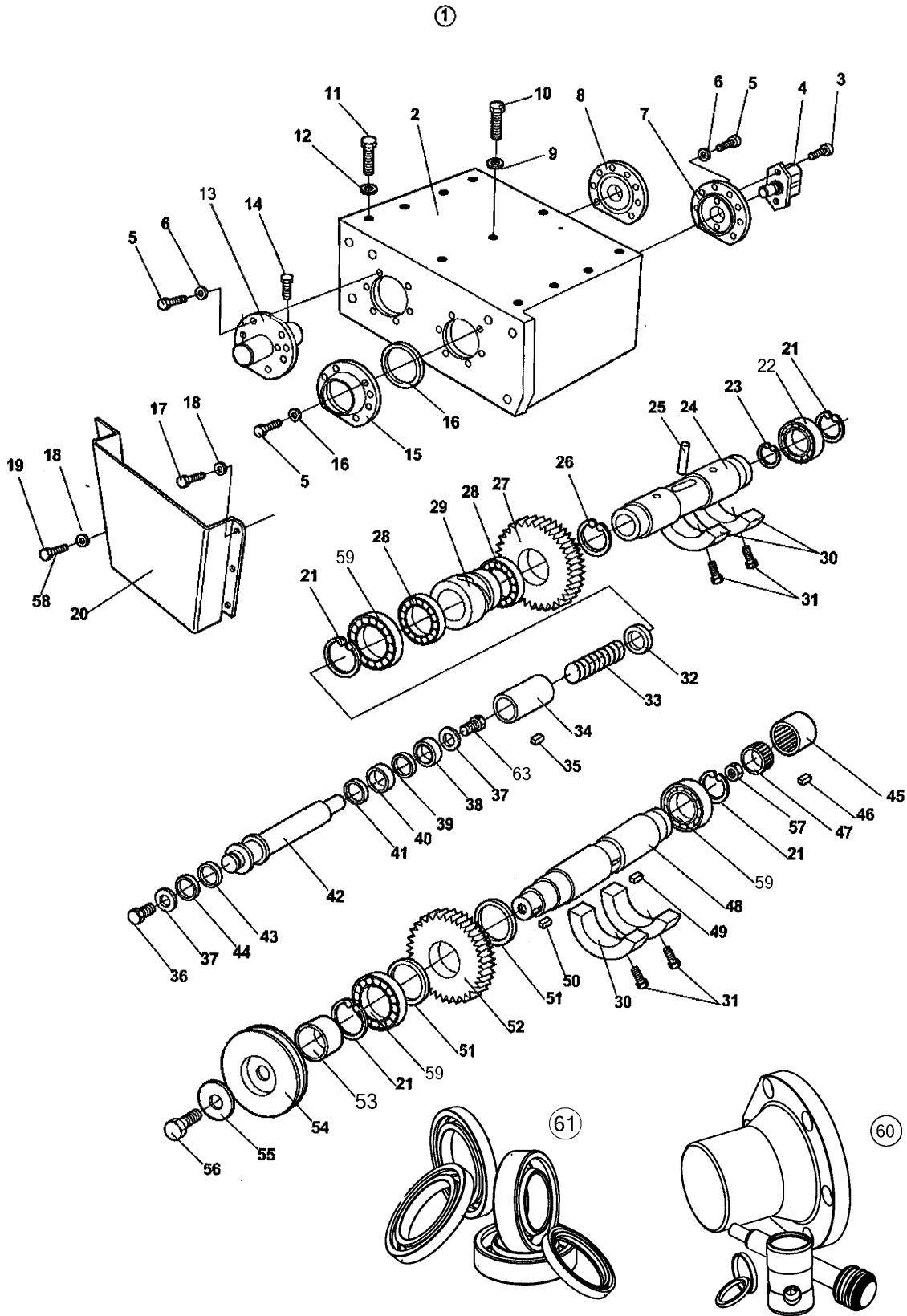
**NO DRAWING
AVAILABLE
FOR THIS BOM**

Item	Part No.	Name	Qty	L
10	-	Eccentric element		

Refer to the Parts Online web page for most up-to-date information. The printed information might be outdated.

Tue Jul 19 05:22:30 MDT 2016

Eccentric element Eccentric element



Refer to the Parts Online web page for most up-to-date information. The printed information might be outdated.

Tue Jul 19 05:22:32 MDT 2016

Item	Part No.	Name	Qty	L
1	4700281503	Eccentric element	1	
2	4700280430	Eccentric housing	1	
3	4700508025	Screw, M6x20 mm 8.8 A2K	2	
4	-	Hydraulic pump	1	A
5	4700500040	Screw, M6x20 mm 8.8 A2K	24	
6	4700904228	Washer, 6.4x12x1.5 mm 300 HV	24	
7	4700281968	Cover	1	
8	4700280447	Cover	1	
9	4700162011	Washer, 16.7x24x1.5 mm Type A M16	1	
10	4700232143	Plug, M16	1	
11	4700928944	Screw, M12 x 200 mm 12.9 GEOMET®	10	
12	4700904213	Steel Plain Washer	10	
13	4700380159	Cylinder	1	
14	4700380155	Screw	1	
15	4700280435	Cover	1	
16	4700928794	Sealing ring	1	
17	4700508005	Screw	3	
18	4700904229	Washer, 8.4x 6x1.5 mm 300HV	5	
19	4700500022	Screw	2	
20	4700280434	Belt Guard	1	
21	4700150033	Retaining ring	4	
22	4700792427	Bearing	1	
23	4700928787	Retaining ring	1	
24	4700280445	Eccentric shaft	1	
25	4700280442	Pin	1	
26	4700150035	Snap ring	1	
27	4700280440	Gear	1	
28	4700928796	Ball bearing	2	
29	4700280441	Sleeve	1	
30	4700280436	Eccentric weight	4	
31	4700928791	Screw, M12 x 45 mm 8.8 A3K	8	
32	4700280448	Stop	1	
33	4700928798	Spring	1	
34	4700381787	Piston	1	

Refer to the Parts Online web page for most up-to-date information. The printed information might be outdated.

Tue Jul 19 05:22:32 MDT 2016

Item	Part No.	Name	Qty	L
35	4700350029	Feather key	2	
36	4700500012	Hex. screw	2	
37	4700381783	Washer	2	
38	4700928797	Ball bearing	1	
39	4700904811	Support ring	1	
40	4700111022	Ball bearing	1	
41	4700151008	Retaining ring	1	
42	4700381786	Piston rod	1	
43	4700281502	Guide	1	
44	4700281501	Piston seal	1	
45	4700928893	Sleeve	1	
46	4700928789	Key	1	B
47	4700928894	Sleeve	1	
48	4700280431	Eccentric shaft	1	
49	4700280450	Key	1	
50	4700928788	Key	1	
51	4700150020	Retaining ring for shaft	2	
52	4700280437	Gear	1	
53	4700928795	Sleeve	1	
54	4700282718	V-belt pulley	1	
55	4700280432	Washer	1	
56	4700500048	Screw, M10x20 mm 8.8 A3K	1	
57	4700570004	Nut	1	
58	4700508005	Screw	2	
59	4700928786	Ball bearing	3	
60	4812155352	Repair kit, F/R piston	1	
60	-	Item 13	1	
60	-	Item 25	1	
60	-	Item 32	1	
60	-	item 33	1	
60	-	Item 34	1	
60	-	Item 38	1	
60	-	item 39	1	
60	-	Item 40	1	

Refer to the Parts Online web page for most up-to-date information. The printed information might be outdated.

Tue Jul 19 05:22:32 MDT 2016

Item	Part No.	Name	Qty	L
60	-	Item 42	1	
60	-	Item 43	1	
60	-	Item 44	1	
61	4812155298	Repair kit, eccentric element	1	
61	-	Item 9	1	
61	-	Item 16	1	
61	-	Item 22	3	
61	-	Item 28	2	
61	-	Item 38	1	
61	-	Item 40	1	
61	-	Item 43	1	
61	-	Item 44	1	
61	-	Item 59	1	
61	-	Sealing compound	1	C
63	4700280449	Screw	1	

Comments for Page: Eccentric element

(L)OCAL REMARKS

A | en_US | See section Hydraulic system

B | en_US | Delivred with pump

C | en_US | Loctite 574

Engine and engine spacer installation Engine and engine spacer installation

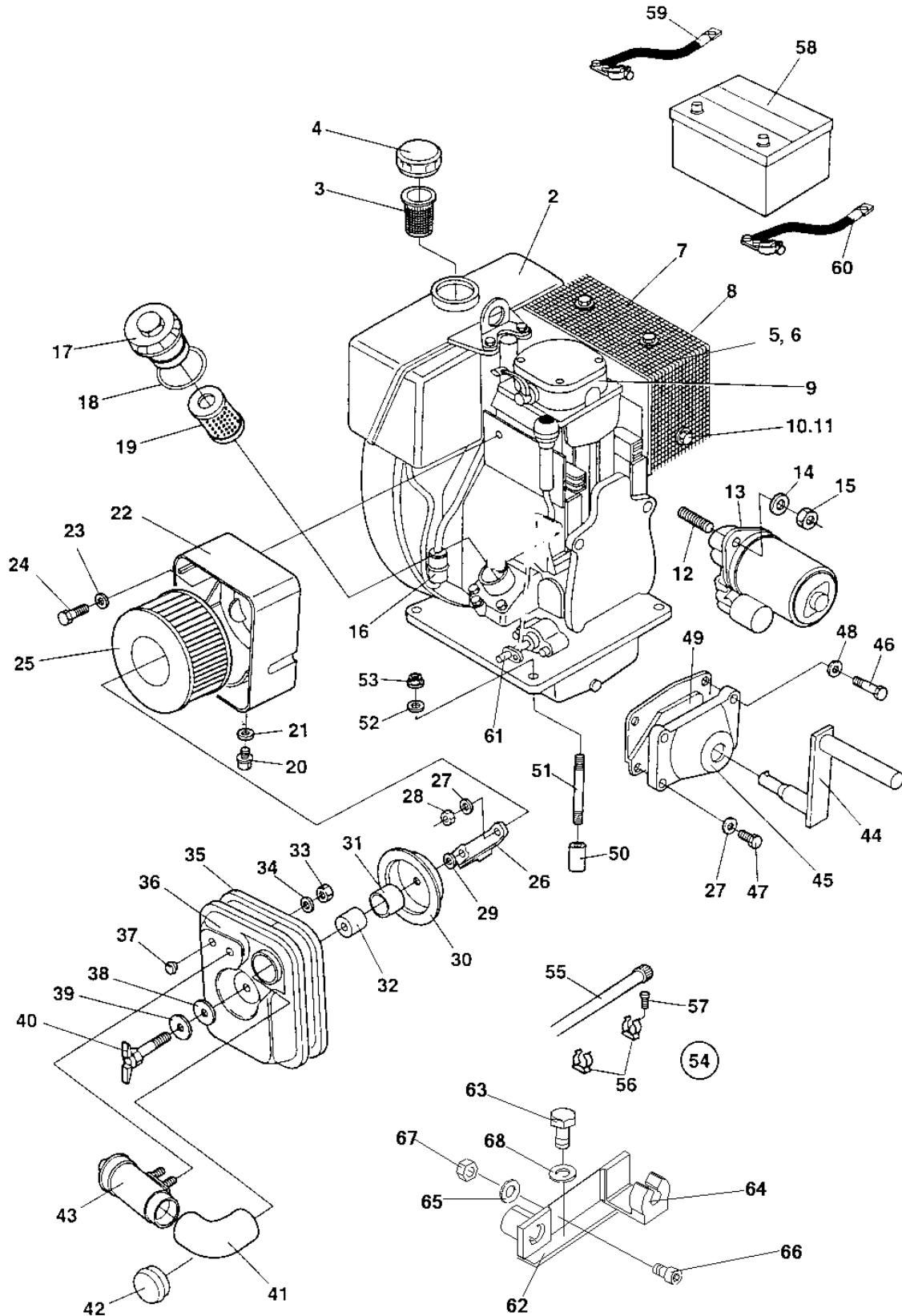
**NO DRAWING
AVAILABLE
FOR THIS BOM**

Item	Part No.	Name	Qty	L
10	-	Engine Hatz 1D81Z		
20	-	Engine spacer installation		

Refer to the Parts Online web page for most up-to-date information. The printed information might be outdated.

Tue Jul 19 05:22:33 MDT 2016

Engine Hatz 1D81Z Engine Hatz 1D81Z



Refer to the Parts Online web page for most up-to-date information. The printed information might be outdated.

Tue Jul 19 05:22:34 MDT 2016

Item	Part No.	Name	Qty	L
Not Shown	-	Model LG500 man/el		
1	4700382811	Engine, cpl	1	A
1	4700395242	Engine, cpl Hatz 1D81, Manual started	1	A, C
1	4700382812	Engine, cpl	1	B, D
1	4700395243	Engine, cpl Hatz 1D81, Electrical started	1	B
1	4700938278	Solenoid valve	1	
2	4700935942	Fuel tank, cpl	1	
3	4700239550	Fuel strainer	1	
4	4700937428	Fuel cap	1	
5	-	Injector	1	
6	-	Nozzle	1	
7	4700239421	Muffler	1	
8	4700239428	Muffler cover	1	
9	4700239333	Valve cover gasket	1	
10	4700500058	Screw M16-2,0x65 8,8	5	
11	4700928381	Washer, 6.4x18x1.6 mm	5	
12	4700935610	Screw	2	B
13	4700936922	Starter	1	B
14	4700935611	Washer	2	B
15	4700935612	Nut	2	B
16	4700937873	Fuel filter	1	
17	4700935608	Oil filter cover, cpl	1	
18	4700239335	O-ring	1	
19	4700239326	Oil filter	1	
20	4700239534	Screw	1	
21	4700239533	Washer	1	
22	4700239516	Housing	1	
23	4700239517	Washer	1	
24	4700239518	Screw	1	
25	4700239423	Air filter	1	
26	4700239519	Bracket	1	
27	4700239520	Washer	3	
28	4700239521	Nut	1	
29	4700239522	Washer	1	

Refer to the Parts Online web page for most up-to-date information. The printed information might be outdated.

Tue Jul 19 05:22:34 MDT 2016

Item	Part No.	Name	Qty	L
30	4700239523	Cover	1	
31	4700239524	Bushing	1	
32	4700239525	Gasket	1	
33	4700239887	Nut	2	
34	4700239886	Washer	2	
35	4700239526	Gasket	1	
36	4700239527	Cover	1	
37	4700239532	Plug	2	C
38	4700239529	Washer	1	
39	4700239530	Washer	1	
40	4700239531	Screw	1	
41	4700239882	Elbow	1	
42	4700935609	Plug	1	C
43	4700239883	Cyclone	1	
44	4700239382	Safety crank	1	
45	4700239553	Collar bearing	1	
46	4700508096	Hexagon socket head cap screw	2	
47	4700508092	Screw	2	
48	4700935752	Washer	2	
49	4700935753	Gasket	1	
54	4700281852	Oil drain, complete	1	
55	4700244059	Hose	1XL	E
56	4700281116	Holder	2	
57	4700281115	Screw	2	
58	4700281896	Battery	1	B
59	4700281202	Battery cable (-)	1	B
60	4700281201	Battery cable (+)	1	B
61	4700239508	Throttle lever	1	
62	D280772-01	Bracket	1	
63	4700500019	Hexagon screw	2	
64	4700281183	Crank holder	1	
65	4700904229	Washer, 8.4x 6x1.5 mm 300HV	2	
66	4700508005	Screw	2	
67	4700570005	Hexagon nut	2	

Refer to the Parts Online web page for most up-to-date information. The printed information might be outdated.

Tue Jul 19 05:22:34 MDT 2016

Item	Part No.	Name	Qty	L
68	4700904556	Steel plain washer 8,4x16x3,0	2	

Comments for Page: Engine Hatz 1D81Z

(L)OCAL REMARKS

A | en_US | LG500 man

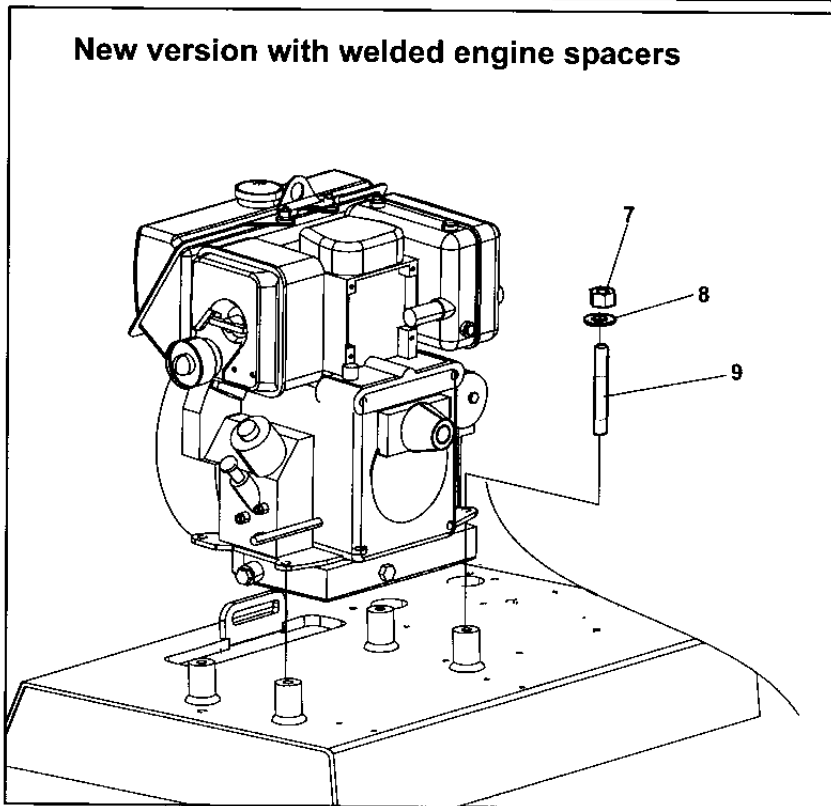
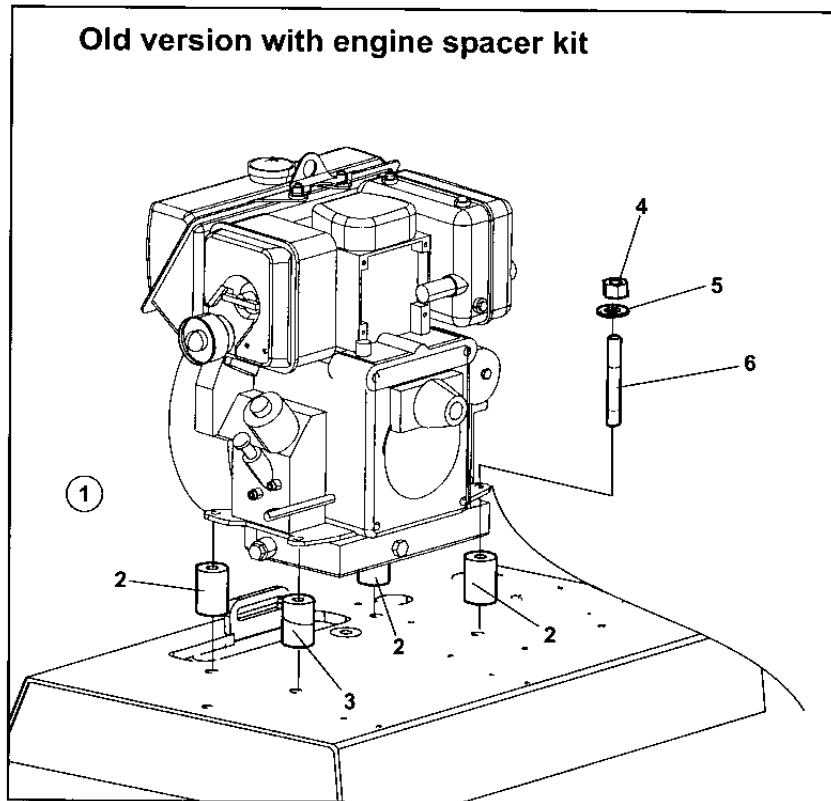
B | en_US | LG500 el

C | en_US | Replaced by 379101

D | en_US | Replaced by 379102

E | en_US | L=400MM

Engine spacer installation Engine spacer installation



Refer to the Parts Online web page for most up-to-date information. The printed information might be outdated.

Tue Jul 19 05:22:35 MDT 2016

Item	Part No.	Name	Qty	L
1	4700239504	Engine spacer kit	1	
2	-	Spacer	3	
3	-	Adjustable spacer	1	
4	4700928849	Nut	4	
5	4700901206	Washer	4	
6	4700281237	Pin	4	
7	4700928849	Nut	4	
8	4700904703	Plain washer 13x24x4 mm	4	
9	4700394700	Stud	4	

Refer to the Parts Online web page for most up-to-date information. The printed information might be outdated.

Tue Jul 19 05:22:35 MDT 2016

Power transmission Power transmission

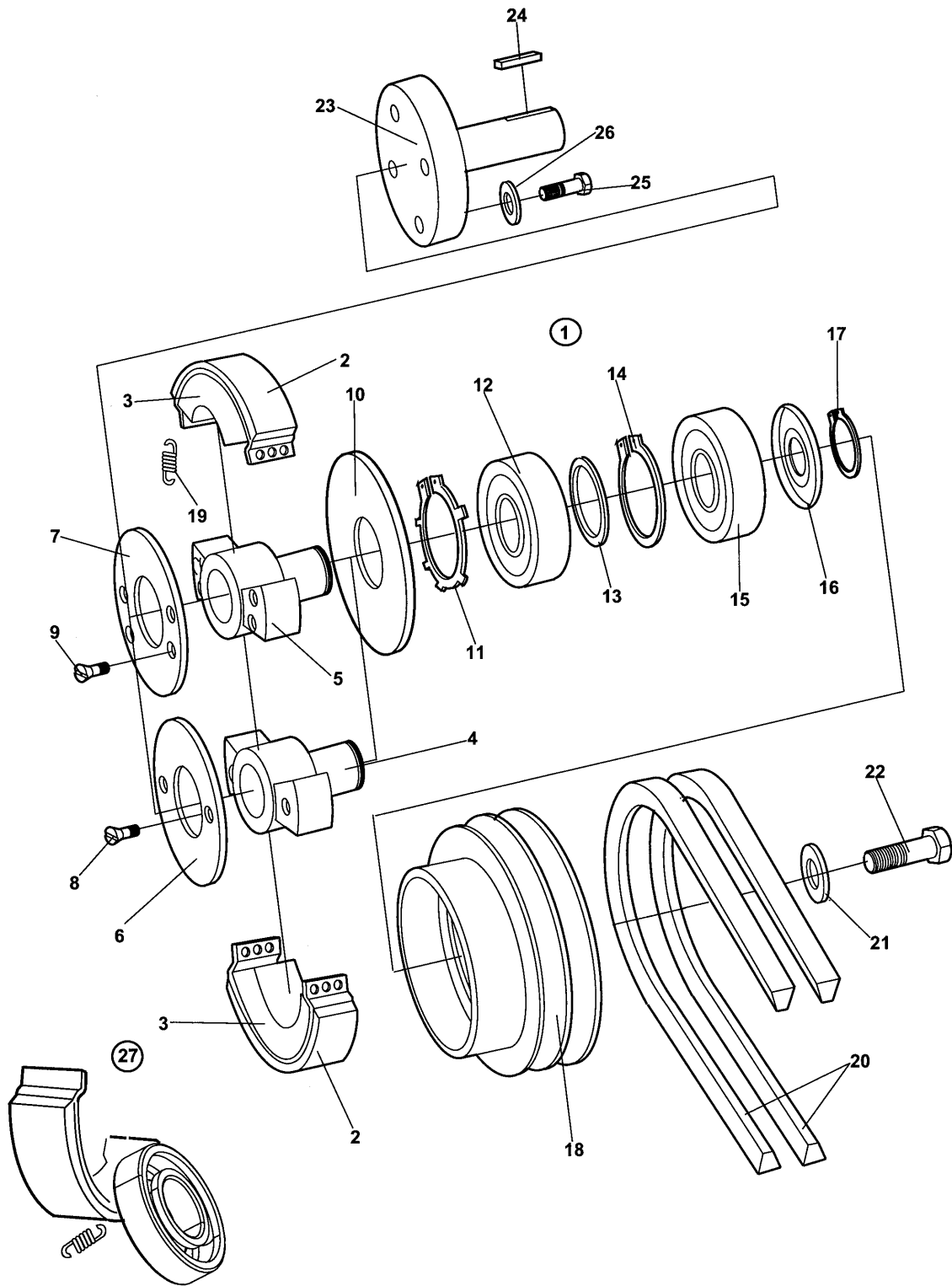
**NO DRAWING
AVAILABLE
FOR THIS BOM**

Item	Part No.	Name	Qty	L
10	-	Clutch Up to S/N 35001514		
20	-	Clutch From S/N 35001515		
30	-	Belt tightener		

Refer to the Parts Online web page for most up-to-date information. The printed information might be outdated.

Tue Jul 19 05:22:35 MDT 2016

Clutch Up to S/N 35001514 Clutch Up to S/N 35001514



Refer to the Parts Online web page for most up-to-date information. The printed information might be outdated.

Tue Jul 19 05:22:36 MDT 2016

Item	Part No.	Name	Qty	L
1	4700280523	Clutch, cpl	1	
2	4700929355	Clutch lining	2	
3	4700239746	Weight	2	
4	4700239747	Hub	1	
5	-	Not used on this model		
6	4700935426	Cover	1	
7	-	Not used on this model		
8	4700535024	Mounting plate	2	
9	-	Not used on this model		
10	4700935427	Cover	1	
11	4700239539	Retaining ring	1	
12	-	Not used on this model		
13	-	Not used on this model		
14	4700151023	Retaining ring	1	
15	4700111178	Ball bearing	2	
16	4700134056	Sealing ring	1	
17	4700150015	Circlip	2	
18	4700935736	Pulley	1	
19	4700936902	Spring	4	
20	4700286376	V-belt	2	
21	4700928441	Washer, 21 x 45 mm	1	
22	4700500048	Screw, M10x20 mm 8.8 A3K	1	
23	4700281194	Engine shaft	1	
24	4700350036	Key	1	A
25	4700923862	Screw	4	
26	4700904556	Steel plain washer 8,4x16x3,0	4	
27	4812155353	Repair kit, clutch	1	
27	-	Item 2	2	
27	-	Item 15	2	
27	-	Item 19	4	

Comments for Page: Clutch Up to S/N 35001514

(L)OCAL REMARKS

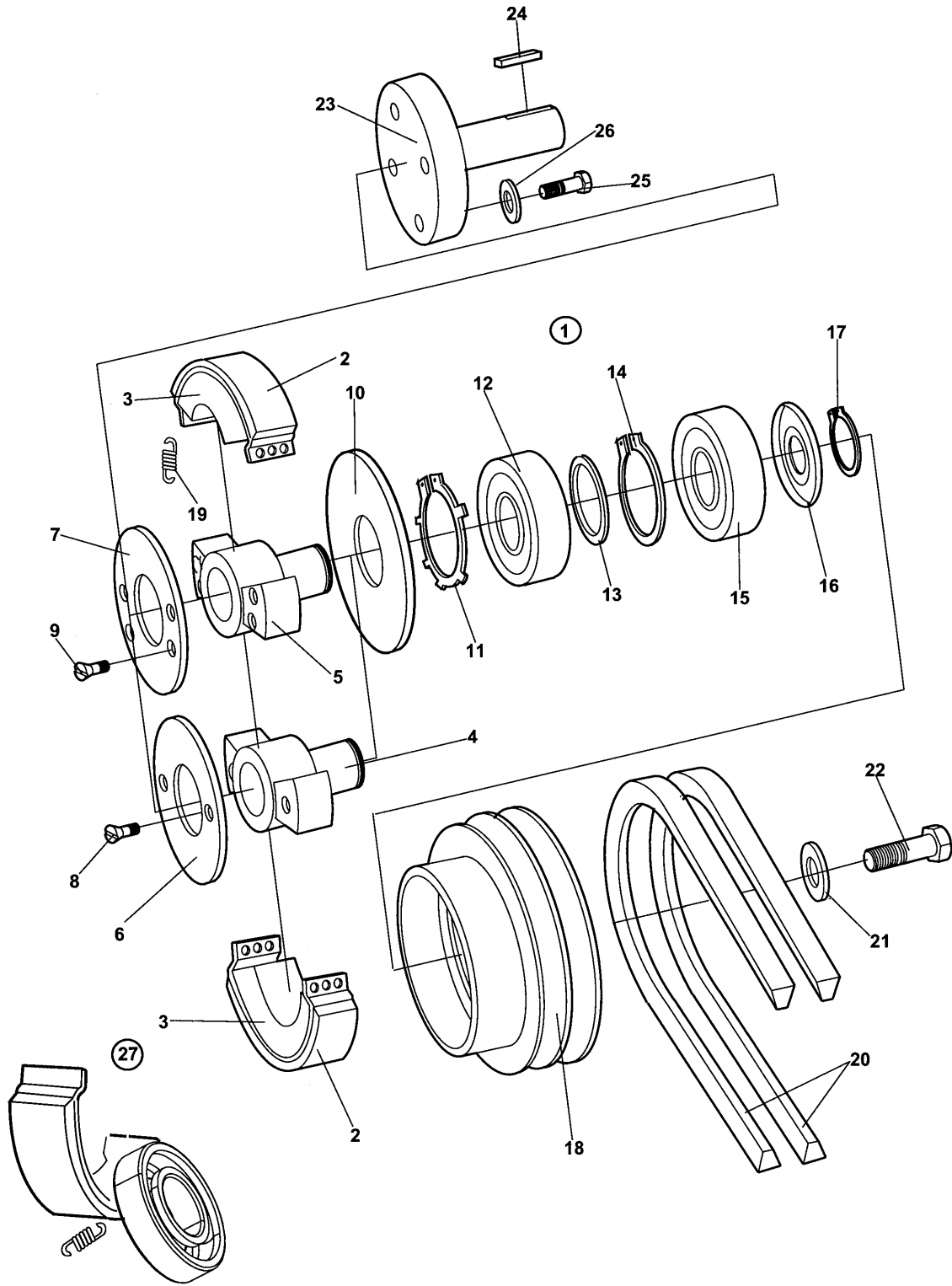
Refer to the Parts Online web page for most up-to-date information. The printed information might be outdated.

Tue Jul 19 05:22:36 MDT 2016

A | en_US | Old design. Can only be replaced by item 32 as a unit.

This page intentionally left blank

Clutch From S/N 35001515 Clutch From S/N 35001515



Refer to the Parts Online web page for most up-to-date information. The printed information might be outdated.

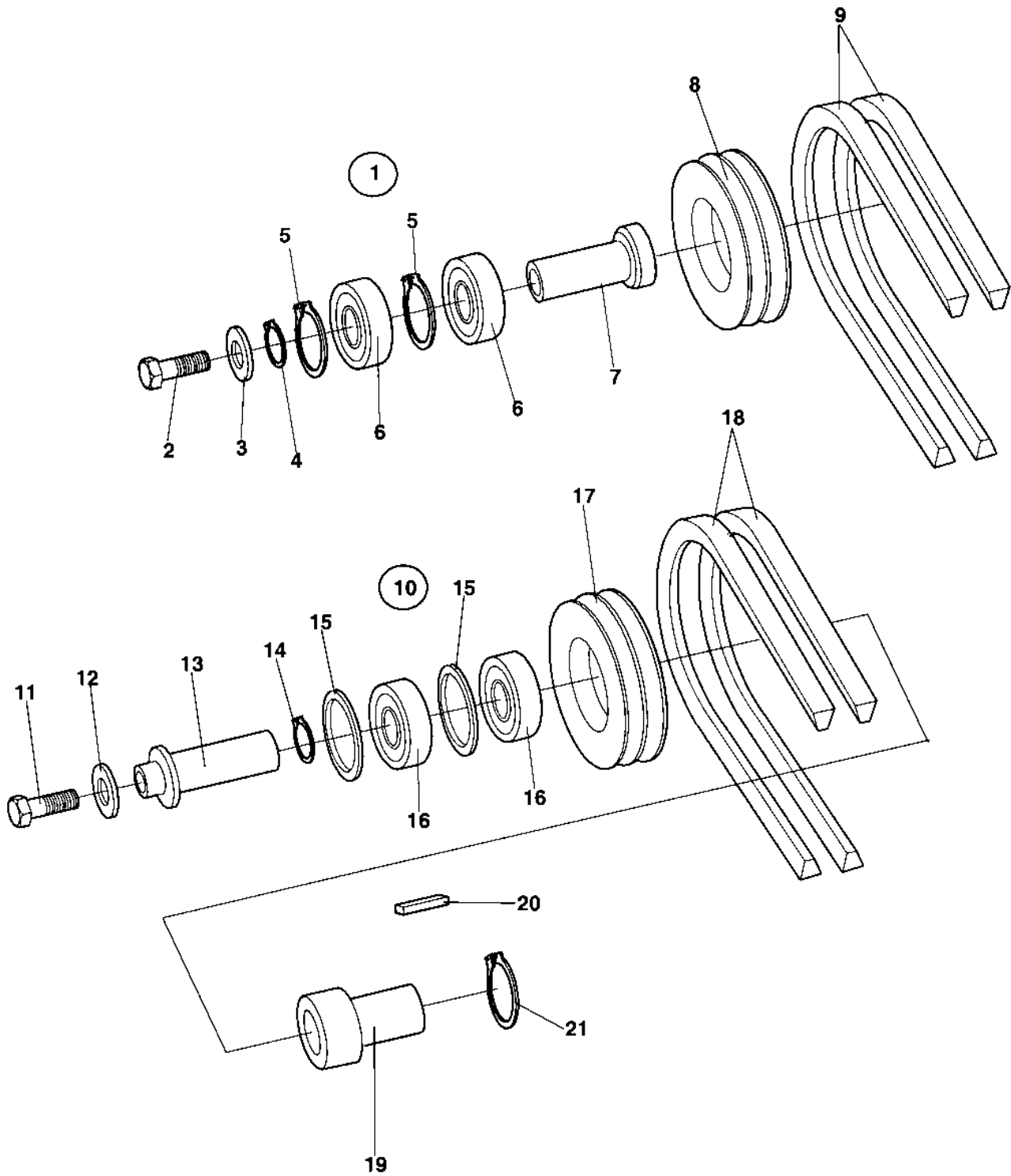
Tue Jul 19 05:22:37 MDT 2016

Item	Part No.	Name	Qty	L
1	4700386311	Clutch, cpl	1	
2	4700939359	Clutch lining	2	
3	-	Weight	2	
4	-	Not used on this model		
5	4700939357	Hub	1	
6	-	Not used on this model		
7	4700939360	Cover	1	
8	-	Not used on this model		
9	4700939361	Screw	4	
10	4700939362	Cover	1	
11	4700939363	Lock washer	1	
12	4700938724	Ball bearing	1	
13	4700939356	Washer	1	
14	4700938725	Retaining ring	1	
15	4700938724	Ball bearing	1	
16	4700938727	Nilos ring	1	
17	4700938726	Snap ring	1	
18	4700939355	V-belt pulley	1	
19	4700421246	Spring	4	
20	4700386312	V-belt	2	
21	4700904213	Steel Plain Washer	2	
22	4700500048	Screw, M10x20 mm 8.8 A3K	1	
23	4700281194	Engine shaft	1	
24	4700350036	Key	1	
25	4700500022	Screw	4	
26	4700904556	Steel plain washer 8,4x16x3,0	4	
27	4812155351	Repair kit, clutch	1	
27	-	Item 2	2	
27	-	Item 19	4	
27	-	Item 15	1	

Refer to the Parts Online web page for most up-to-date information. The printed information might be outdated.

Tue Jul 19 05:22:37 MDT 2016

Belt tightener Belt tightener



Refer to the Parts Online web page for most up-to-date information. The printed information might be outdated.

Tue Jul 19 05:22:37 MDT 2016

Item	Part No.	Name	Qty	L
1	4700378060	Belt tightener, complete		C
2	4700500051	Hex. screw	1	D
3	4700924543	Washer, 13 x 36 x 6 mm, 0.51 x 1.42 x 0.24 in. 300 HV	1	D
4	4700150012	Retaining ring for shaft	1	
5	4700151019	Retaining ring	2	
6	4700111180	Ball bearing	2	
7	4700378061	Shaft	1	
8	4700380517	V-belt pulley	1	
9	-	V-belt		A
10	4700380520	Belt tightener, cpl	1	B
11	4700500051	Hex. screw	1	
12	4700924543	Washer, 13 x 36 x 6 mm, 0.51 x 1.42 x 0.24 in. 300 HV	1	
13	4700380518	Shaft	1	
14	4700150008	Circlip	1	
15	4700151019	Retaining ring	2	
16	4700111180	Ball bearing	2	
17	4700380517	V-belt pulley	1	
18	-	V-belt		A
19	4700380519	Sleeve	1	
20	4700350123	Key	1	
21	4700150012	Retaining ring for shaft	1	

Comments for Page: Belt tightener

(L)OCAL REMARKS

A | en_US | See section clutch

B | en_US | Only interchangeable like complete unit, use 378060

C | en_US | New version

D | en_US | Not included in complete belt tightener, P/N 378060

Refer to the Parts Online web page for most up-to-date information. The printed information might be outdated.

Tue Jul 19 05:22:37 MDT 2016

Hydraulic system Hydraulic system

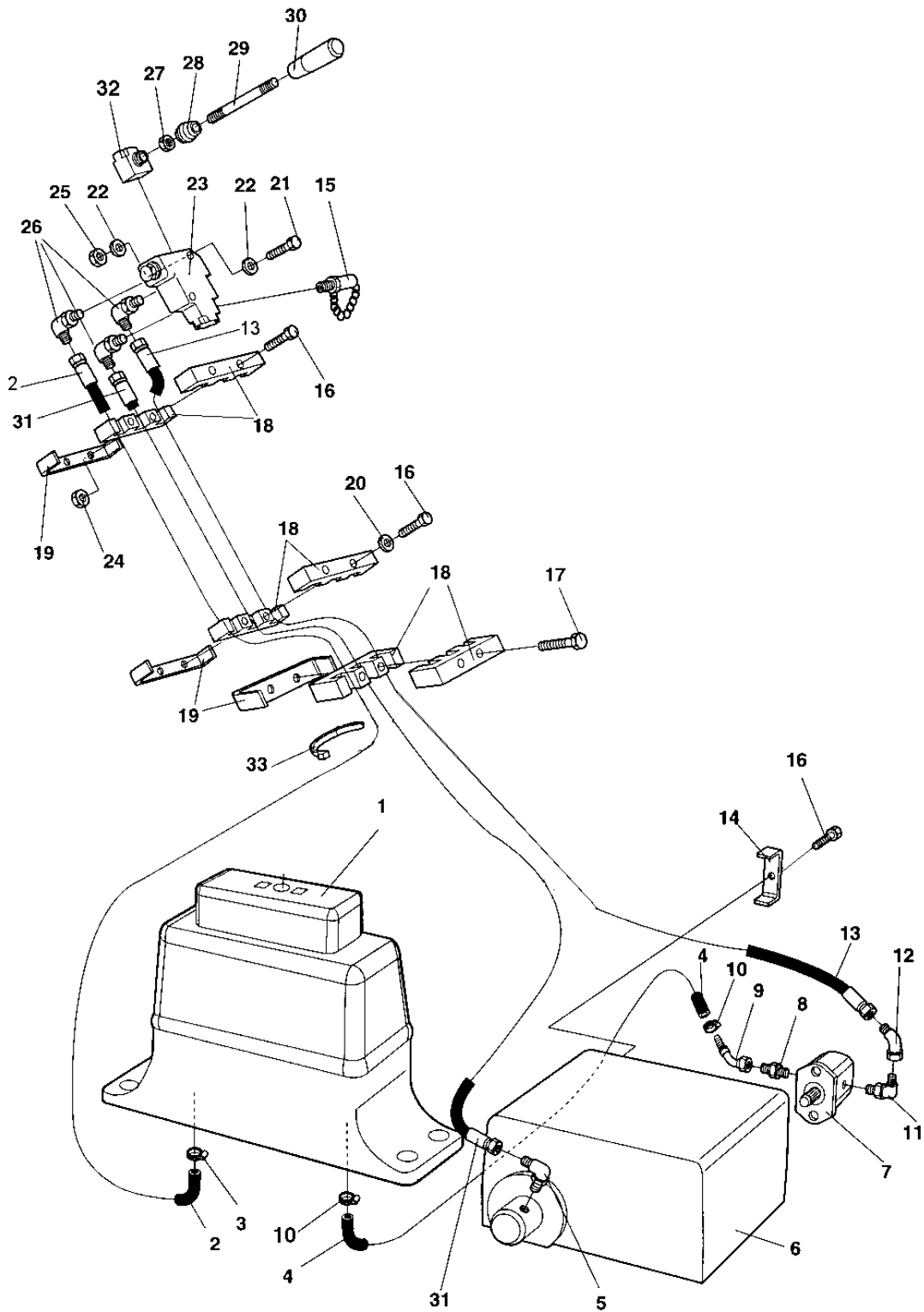
**NO DRAWING
AVAILABLE
FOR THIS BOM**

Item	Part No.	Name	Qty	L
10	-	Hydraulic system		
20	-	Hydraulic tank		

Refer to the Parts Online web page for most up-to-date information. The printed information might be outdated.

Tue Jul 19 05:22:38 MDT 2016

Hydraulic system Hydraulic system



Refer to the Parts Online web page for most up-to-date information. The printed information might be outdated.

Tue Jul 19 05:22:38 MDT 2016

Item	Part No.	Name	Qty	L
1	-	Hydraulic tank	1	A
2	4700383400	Hydraulic hose	1	
3	4700313108	Hose clamp	1	
4	4700383403	Hydraulic hose	1	
5	4700234481	Connector	1	
6	-	Eccentric element	1	G
7	4700383562	Hydraulic pump	1	
8	4700791145	Straight adapter	1	
9	4700383755	Connector	1	H
10	4700313003	Hose clamp	1	
11	4700281466	Adapter	1	
12	4700234622	Elbow 45	1	
13	4700281378	Hydraulic hose	1	
14	4700383458	Hose holder	1	
15	4700938163	Measuring nipple	1	
16	4700500025	Screw, M8x50 mm 8.8 A2K	5	
17	4700500026	Screw M8-1,25x60 mm 8.8	2	
18	4700280534	Rubber block	3	
19	D100505023	Bracket	3	
20	4700615043	Washer 8,4x18x2	2	
21	4700500079	Screw M6-1x50 8,8	2	
22	4700615042	Conical spring washer	4	
23	4700281375	Valve	1	
24	4700902286	Lock nut, M8x1.25 mm A2K	2	
25	4700902285	Nut	2	
26	4700234481	Connector	3	
27	4700570005	Hexagon nut	1	
28	4700936595	Rubber cover	1	
29	D100505042	Rod	1	
30	4700903821	Grab handle	1	
31	4700281434	Hydraulic hose	1	E
32	4700937924	Lever housing	1	F
33	4700313041	Cable ties, L=200 mm	1	
34	4700313003	Hose clamp	1	I

Refer to the Parts Online web page for most up-to-date information. The printed information might be outdated.

Tue Jul 19 05:22:39 MDT 2016

Comments for Page: Hydraulic system

(L)OCAL REMARKS

A | en_US | See section hydraulic tank

E | en_US | L=1400MM

F | en_US | Included in 281375

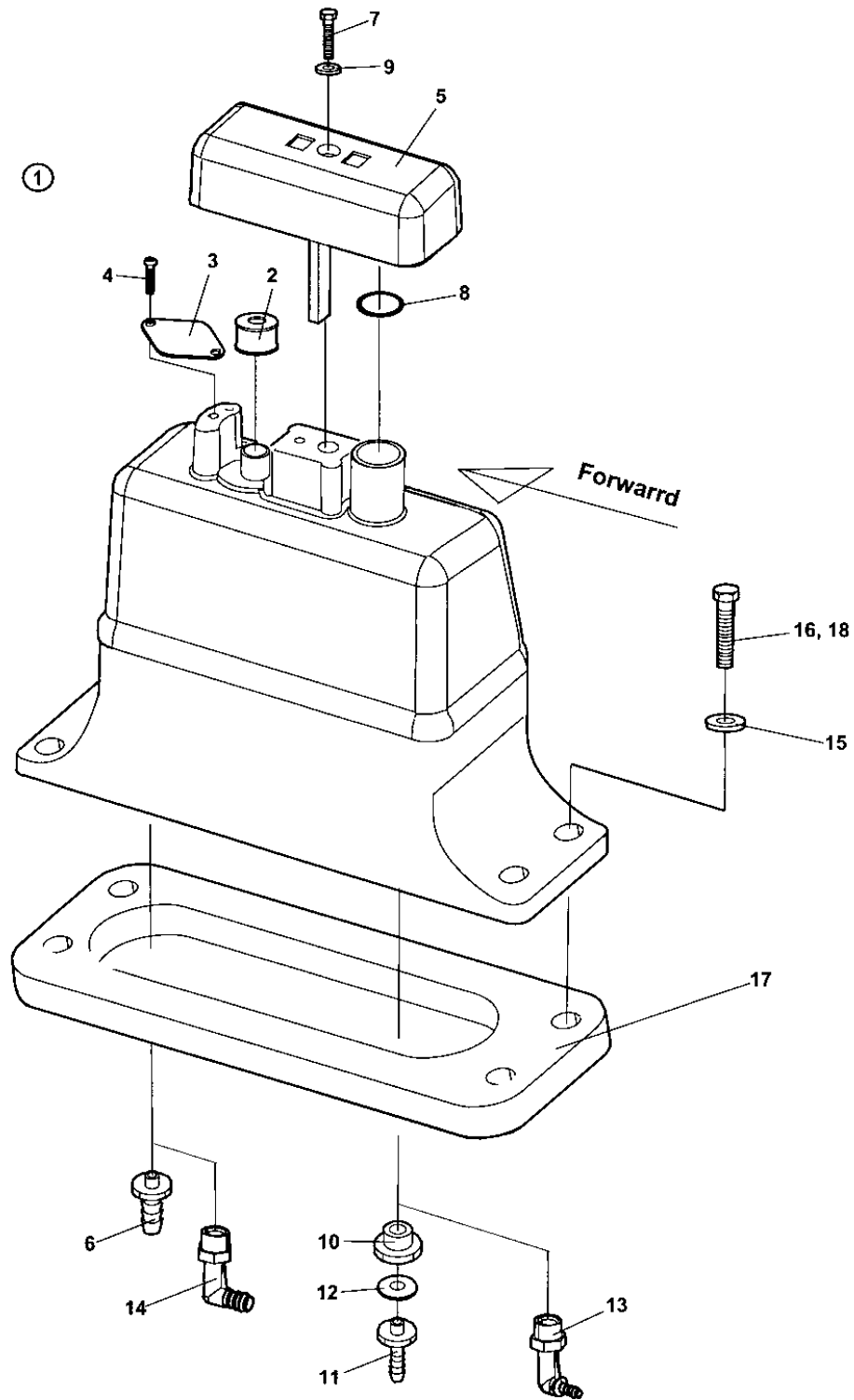
G | en_US | See section eccentric element

H | en_US | Old version, not in use anymore. This connection is intergrated with the new version of hose 383403 (item4)

I | en_US | Use together with item 9

This page intentionally left blank

Hydraulic tank Hydraulic tank



Refer to the Parts Online web page for most up-to-date information. The printed information might be outdated.

Tue Jul 19 05:22:39 MDT 2016

Item	Part No.	Name	Qty	L
1	4700381387	Hydraulic oil tank, cpl	1	
1	4700376676	Hydraulic oil tank, cpl	1	
2	4700381566	Air filter	1	
3	4700381563	Holder	1	
4	4700904960	Screw, K50 x 12 mm Type KX-PT	2	
5	4700381385	Cover with oil dipstick	1	
6	4700383038	Hose coupling	1	
7	4700500021	Screw, M8x25 mm 8.8 A2K	1	
8	4700160110	O-ring	1	
9	4700904229	Washer, 8.4x 6x1.5 mm 300HV	1	
10	4700383039	Reducer	1	
11	4700383353	Hose coupling	1	
12	4700480124	Washer	1	
13	4700376674	Adapter	1	
14	4700376675	Adapter	1	
15	4700904229	Washer, 8.4x 6x1.5 mm 300HV	4	
16	4700500030	Screw hexagon	4	
17	4700384230	Spacer	1	
18	4700500032	Screw M10 x 55	1	A

Comments for Page: Hydraulic tank

(L)OCAL REMARKS

A | en_US | Use together with item 17

Referenced Pages

Hydraulic tank 46

This page intentionally left blank

Electrical equipment Electrical equipment

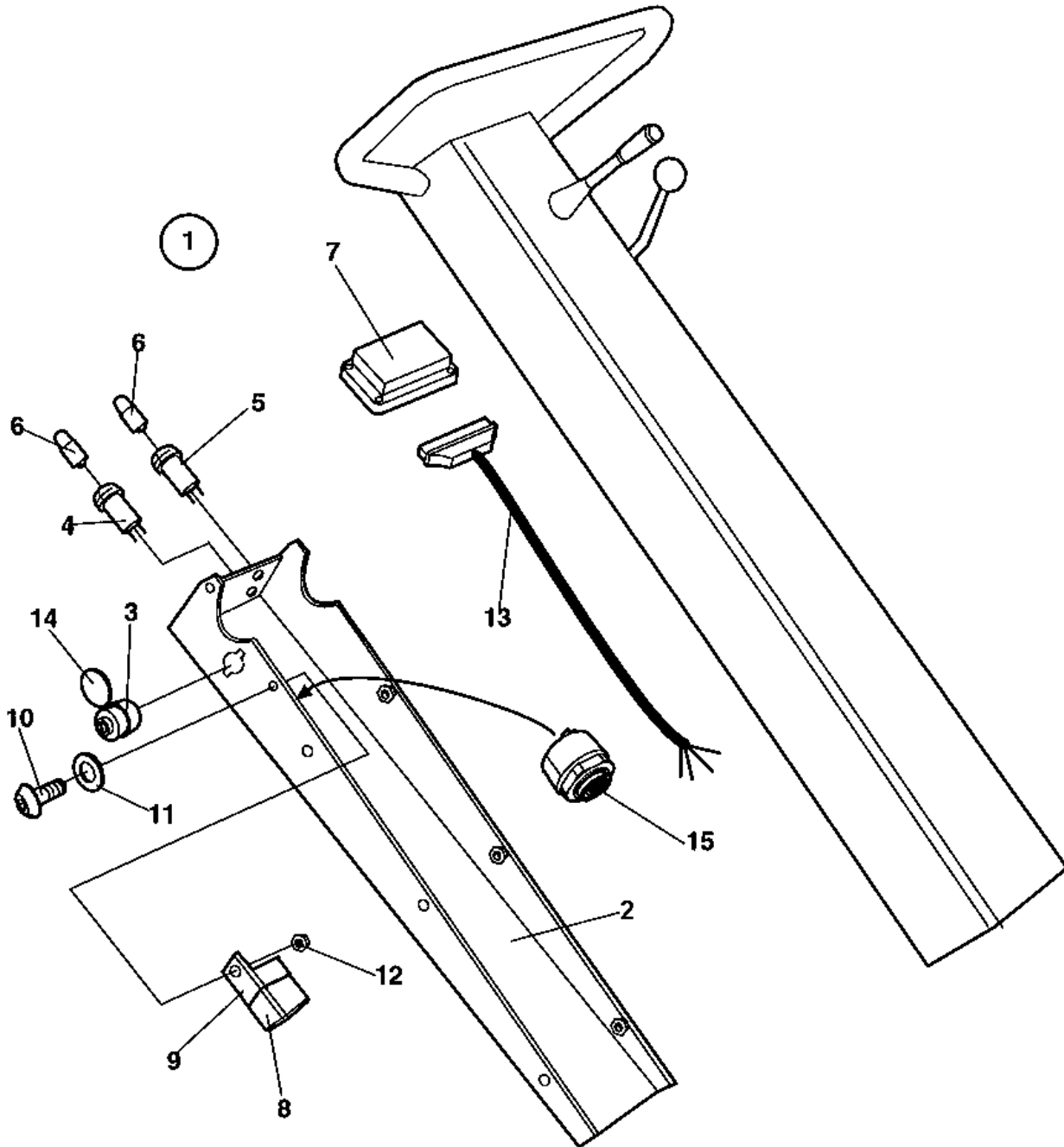
**NO DRAWING
AVAILABLE
FOR THIS BOM**

Item	Part No.	Name	Qty	L
10	-	Control panel, Up to S/N: 35002609, 11-31, 33-53, 55-60, 63-78		
15	-	Control panel, From S/N: 35002610, 32, 54, 61-62, 79-		
20	-	Battery and battery box		

Refer to the Parts Online web page for most up-to-date information. The printed information might be outdated.

Tue Jul 19 05:22:40 MDT 2016

Control panel, Up to S/N: 35002609, 11-31, 33-53, 55-60, 63-78 Control panel, Up to S/N: 35002609, 11-31, 33-53, 55-60, 63-78



Refer to the Parts Online web page for most up-to-date information. The printed information might be outdated.

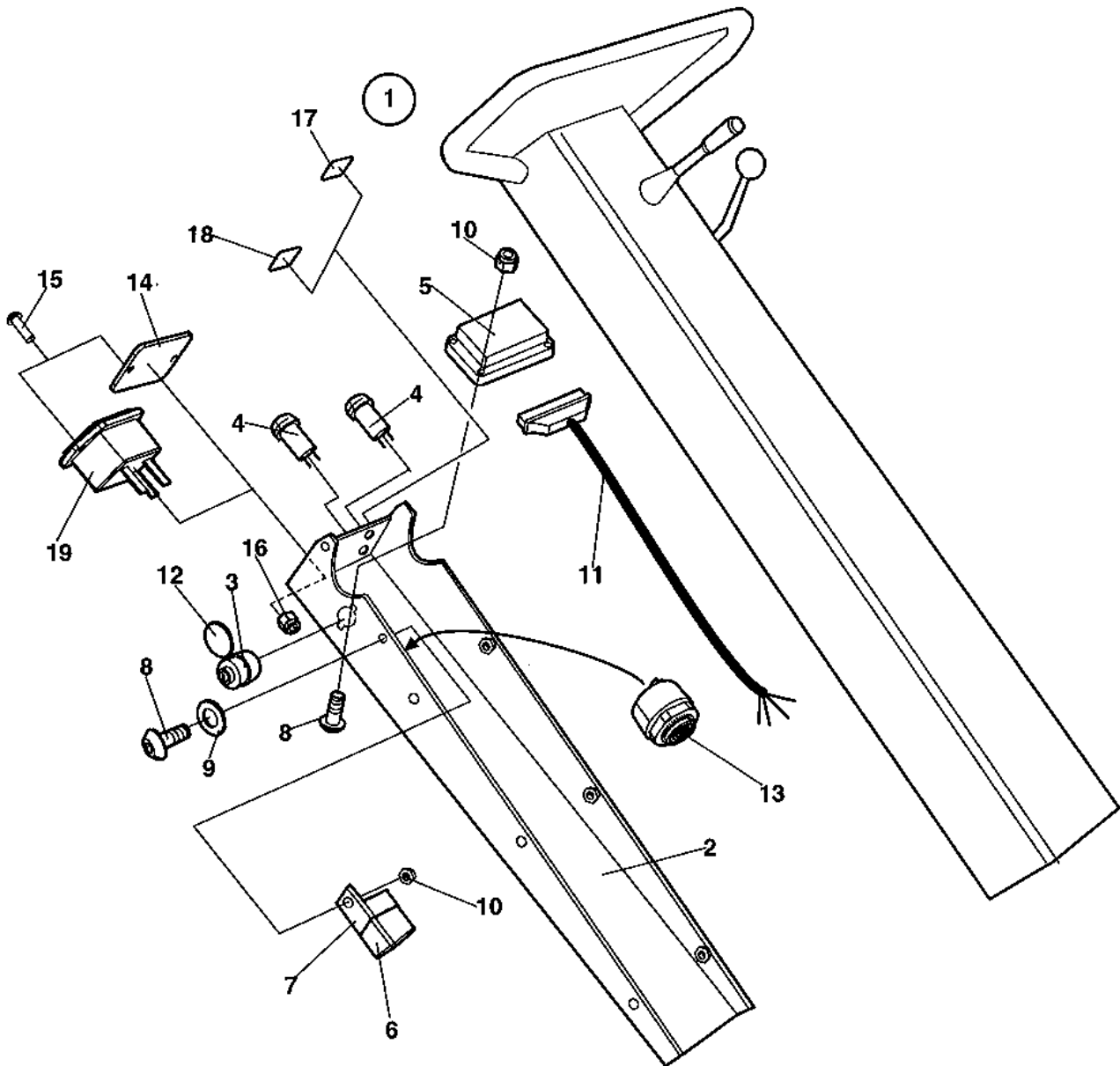
Tue Jul 19 05:22:40 MDT 2016

Item	Part No.	Name	Qty	L
1	-	Control panel, cpl	1	
2	4700281496	Control panel	1	
3	4700238158	Ignition switch	1	
3	4700238236	Ignition key	1	
4	4700239466	Oil pressure lamp	1	
5	4700239463	Charge lamp	1	
6	4700985012	Bulb	2	
7	4700904445	Start protect mod.	1	
8	4700281457	Relay	1	
9	4700287599	Relay socket	1	
10	4700903903	Screw, M5 x 12 mm 10.9 FZB	1	
11	4700615041	Washer 5,3x11	1	
12	4700586001	Lock nut	1	
13	4700282727	Cable harness	1	
14	4700904428	Cover, ignition	1	
15	4700385599	Buzzer	1	

Refer to the Parts Online web page for most up-to-date information. The printed information might be outdated.

Tue Jul 19 05:22:40 MDT 2016

Control panel, From S/N: 35002610, 32, 54, 61-62, 79- Control panel, From S/N: 35002610, 32, 54, 61-62, 79-



Refer to the Parts Online web page for most up-to-date information. The printed information might be outdated.

Tue Jul 19 05:22:41 MDT 2016

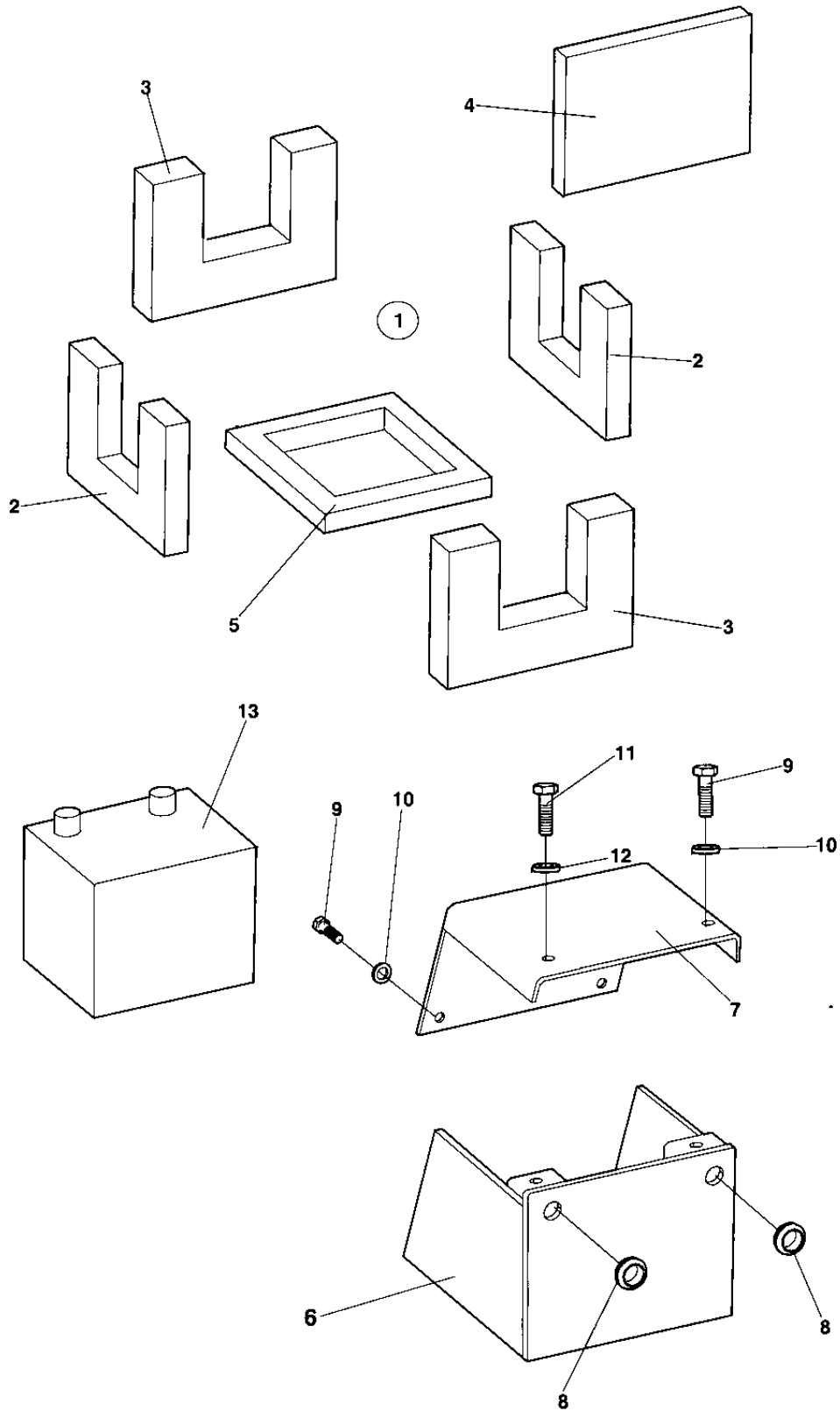
Item	Part No.	Name	Qty	L
1	-	Control panel, cpl	1	
2	4700377303	Control panel	1	
2	4700378223	Cover	1	
3	4700238158	Ignition switch	1	
3	4700238236	Ignition key	1	
4	4700791058	Diode lamp	2	
5	4700904445	Start protect mod.	1	
6	4700281457	Relay	2	
7	4700287599	Relay socket	1	
8	4700903903	Screw, M5 x 12 mm 10.9 FZB	5	
9	4700615041	Washer 5,3x11	1	
10	4700586001	Lock nut	5	
11	4700377301	Cable harness	1	
11	4700378225	Cable harness	1	
12	4700904228	Washer, 6.4x12x1.5 mm 300 HV	1	
13	4700385599	Buzzer	1	
14	4700376867	Cover	1	
15	4700904967	Screw	2	
16	4700928927	Lock nut	2	
17	4700791436	Label, charging	1	
18	4700791437	Label, oil pressure	1	
19	4700385600	Hour meter	1	A

Comments for Page: Control panel, From S/N: 35002610, 32, 54, 61-62, 79-

(L)OCAL REMARKS

A | en_US | Option

Battery and battery box Battery and battery box



Refer to the Parts Online web page for most up-to-date information. The printed information might be outdated.

Tue Jul 19 05:22:41 MDT 2016

Item	Part No.	Name	Qty	L
1	4700281895	Insulation kit	1	
2	-	Isolation	1	
3	-	Isolation	1	
4	-	Isolation	1	
5	-	Isolation	1	
6	D281663-02	Battery box	1	
7	D281660-02	Cover	1	
8	4700929200	Grommet	2	
9	4700500019	Hexagon screw	4	
10	4700904229	Washer, 8.4x 6x1.5 mm 300HV	4	
11	4700500043	Screw M10x16	1	
12	4700904557	Washer, 10.5x22x4 mm 300 HV	1	
13	-	Battery	1	A

Comments for Page: Battery and battery box

(L)OCAL REMARKS

A | en_US | See section engine

Handle and controls Handle and controls

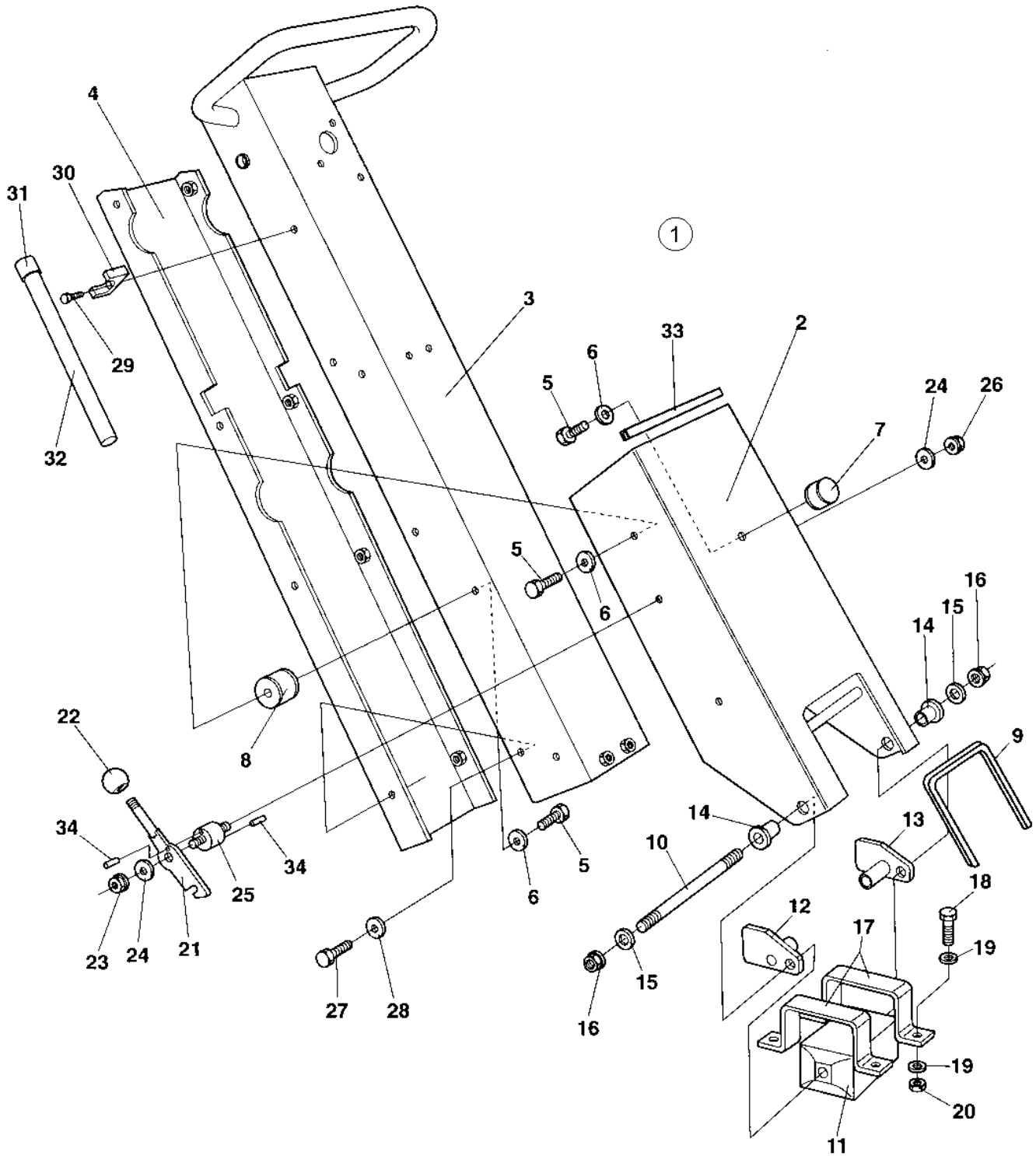
**NO DRAWING
AVAILABLE
FOR THIS BOM**

Item	Part No.	Name	Qty	L
10	-	Handle, Up to S/N: 35002609, 11-31, 33-53, 55-60, 63-78		
15	-	Handle, From S/N: 35002610, 32, 54, 61-62, 79-		
20	-	Option, dead man handle		
40	-	Throttle control		

Refer to the Parts Online web page for most up-to-date information. The printed information might be outdated.

Tue Jul 19 05:22:42 MDT 2016

Handle, Up to S/N: 35002609, 11-31, 33-53, 55-60, 63-78 Handle, Up to S/N: 35002609, 11-31, 33-53, 55-60, 63-78



Refer to the Parts Online web page for most up-to-date information. The printed information might be outdated.

Tue Jul 19 05:22:43 MDT 2016

Item	Part No.	Name	Qty	L
1	4700281505	Handle, cpl	1	
2	D282700-02	Handle, lower	1	
3	D281506-02	Handle	1	
4	4700282706	Cover	1	A
5	4700500043	Screw M10x16	9	
6	4700904230	Plain washer 10.5x22x2 mm	9	
7	4700281804	Rubber stop	1	
8	D100900808	Shock absorber	4	
9	4700902379	Edge trim	1XL	B
10	D100504231	Stud	1	
11	D100900821	Shock absorber	1	
12	D100505016	Retainer, right	1	
13	D100505015	Retainer, left	1	
14	D100504232	Sleeve	2	
15	4700900994	Lock washer	2	
16	4700581013	Nut, M12	2	
17	D100900822	Retainer	2	
18	4700500194	Hex. screw	4	
19	4700904703	Plain washer 13x24x4 mm	8	
20	4700586019	Lock nut, M12	4	
21	4700282724	Hook	1	
22	4700281382	Ball knob M12, D= 50mm	1	
23	4700581012	Nut	1	
24	4700904557	Washer, 10.5x22x4 mm 300 HV	2	
25	4700281431	Shock absorber	1	
26	4700570006	Hex. nut	1	
27	4700500019	Hexagon screw	8	
28	4700904556	Steel plain washer 8,4x16x3,0	8	
29	4700281115	Screw	2	
30	4700281116	Holder	2	
31	4700281852	Oil drain, complete	1	
32	4700244059	Hose	1	
33	4700926911	Rubber strip	1XL	C
34	4700629059	Spirol pin	2	

Refer to the Parts Online web page for most up-to-date information. The printed information might be outdated.

Tue Jul 19 05:22:43 MDT 2016

Comments for Page: Handle, Up to S/N: 35002609, 11-31, 33-53, 55-60, 63-78

(L)OCAL REMARKS

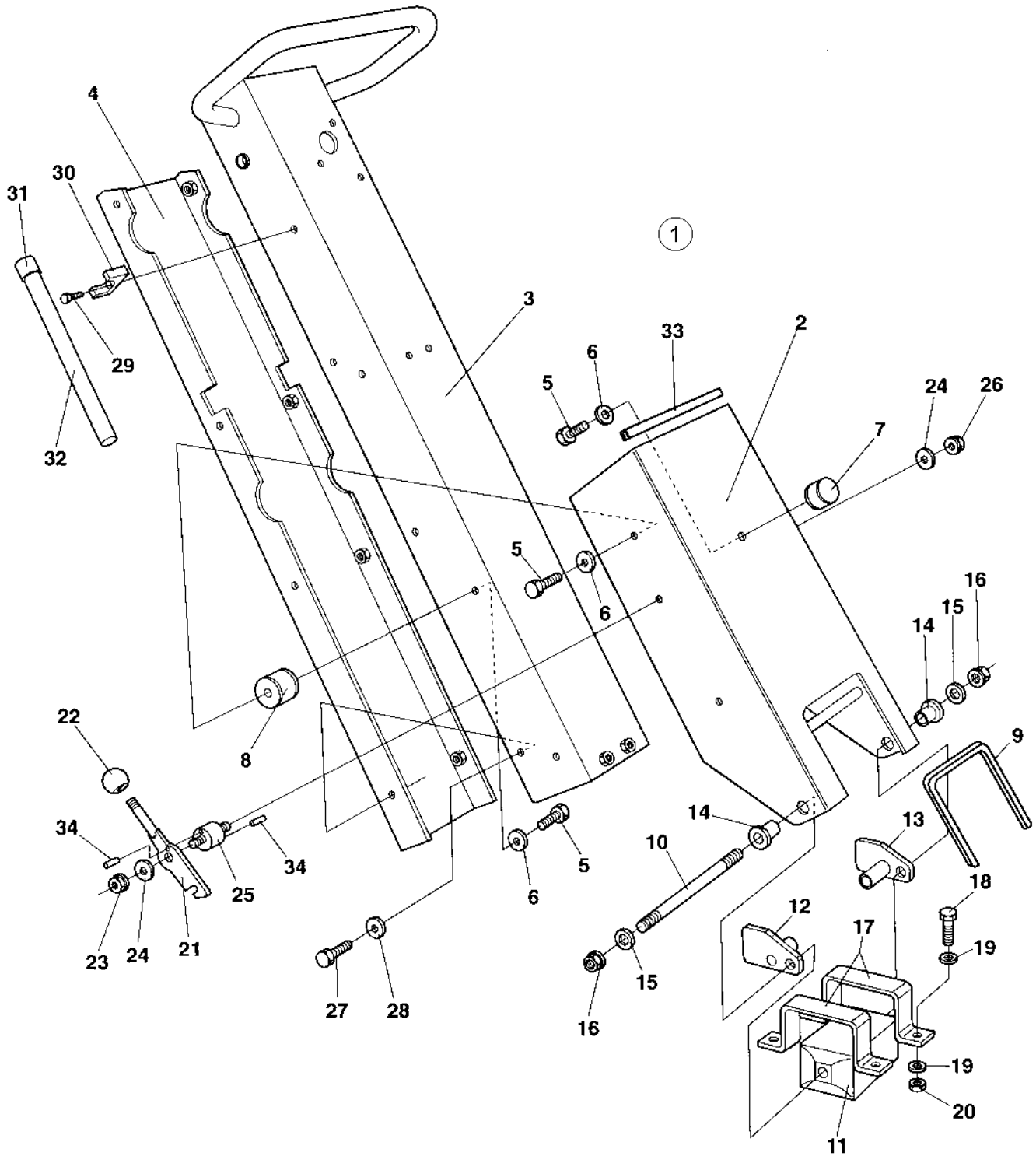
A | en_US | Hatz manual

B | en_US | L=165MM

C | en_US | 220MM

This page intentionally left blank

Handle, From S/N: 35002610, 32, 54, 61-62, 79- Handle, From S/N: 35002610, 32, 54, 61-62, 79-



Refer to the Parts Online web page for most up-to-date information. The printed information might be outdated.

Tue Jul 19 05:22:44 MDT 2016

Item	Part No.	Name	Qty	L
1	4700281505	Handle, cpl	1	
2	D282700-02	Handle, lower	1	
3	D377310-02	Handle	1	
4	4700377312	Cover	1	A
5	4700500043	Screw M10x16	9	
6	4700904230	Plain washer 10.5x22x2 mm	9	
7	4700281804	Rubber stop	1	
8	D100900808	Shock absorber	4	
9	4700902379	Edge trim	1XL	B
10	D100504231	Stud	1	
11	D100900821	Shock absorber	1	
12	D100505016	Retainer, right	1	
13	D100505015	Retainer, left	1	
14	D100504232	Sleeve	2	
15	4700900994	Lock washer	2	
16	4700581013	Nut, M12	2	
17	D100900822	Retainer	2	
18	4700500194	Hex. screw	4	
19	4700904703	Plain washer 13x24x4 mm	8	
20	4700586019	Lock nut, M12	4	
21	4700282724	Hook	1	
22	4700281382	Ball knob M12, D= 50mm	1	
23	4700581012	Nut	1	
24	4700904557	Washer, 10.5x22x4 mm 300 HV	2	
25	4700281431	Shock absorber	1	
26	4700570006	Hex. nut	1	
27	4700500019	Hexagon screw	8	
28	4700904229	Washer, 8.4x 6x1.5 mm 300HV	8	
29	4700281115	Screw	2	
30	4700281116	Holder	2	
31	4700281852	Oil drain, complete	1	
32	4700244059	Hose	1	
33	4700926911	Rubber strip	1XL	C
34	4700629059	Spirol pin	2	

Refer to the Parts Online web page for most up-to-date information. The printed information might be outdated.

Tue Jul 19 05:22:45 MDT 2016

Comments for Page: Handle, From S/N: 35002610, 32, 54, 61-62, 79-

(L)OCAL REMARKS

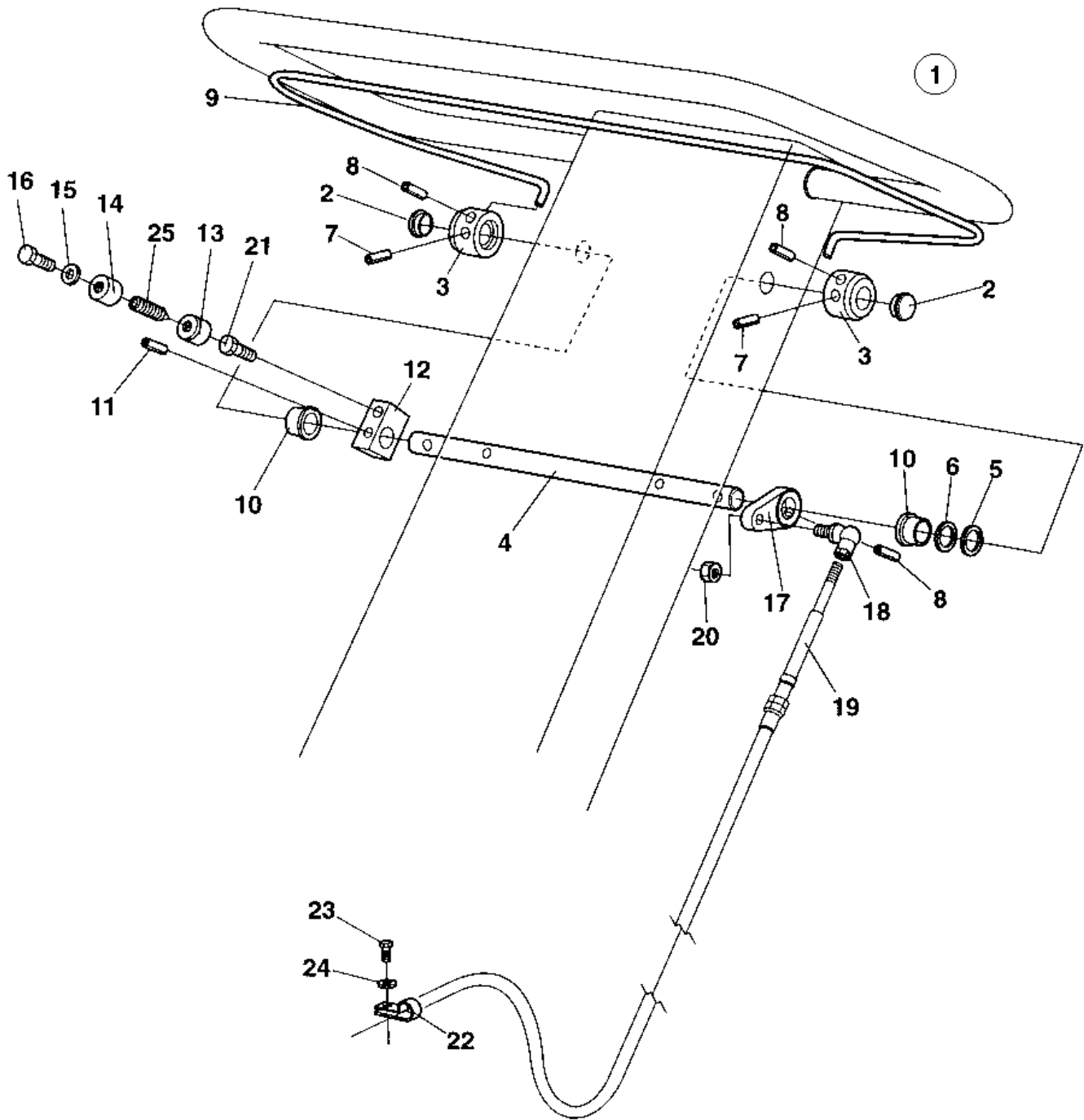
A | en_US | Hatz manual

B | en_US | L=165MM

C | en_US | 220MM

This page intentionally left blank

Option, dead man handle Option, dead man handle



Refer to the Parts Online web page for most up-to-date information. The printed information might be outdated.

Tue Jul 19 05:22:45 MDT 2016

Item	Part No.	Name	Qty	L
1	-	Option, dead man handle	1	
2	4700281639	Plug	2	
3	4700281635	Hub	2	
4	D100505009	Shaft	1	
5	4700904231	Washer, 13x24x2 mm 300 HV	2	
6	4700615007	Washer	2	
7	4700629053	Spring pin	2	
8	4700629038	Expanding pin	3	
9	D100505011	Retainer	1	
10	4700280756	Slide bearing	2	
11	4700629047	Spring pin	1	
12	4700281299	Lever	1	
13	4700282152	Shock absorber	1	
14	4700281392	Stud	1	
15	4700904229	Washer, 8.4x 6x1.5 mm 300HV	1	
16	4700500019	Hexagon screw	1	
17	4700280764	Lever	1	
18	4700280842	Link	1	
19	4700381270	Control cable	1	A
20	4700570004	Nut	1	
21	4700281391	Adjusting screw	1	
22	4700921065	Clamp	2	
23	4700508001	Screw M6x12	2	
24	4700904228	Washer, 6.4x12x1.5 mm 300 HV	2	
25	4700516013	Threaded pin	1	

Comments for Page: Option, dead man handle

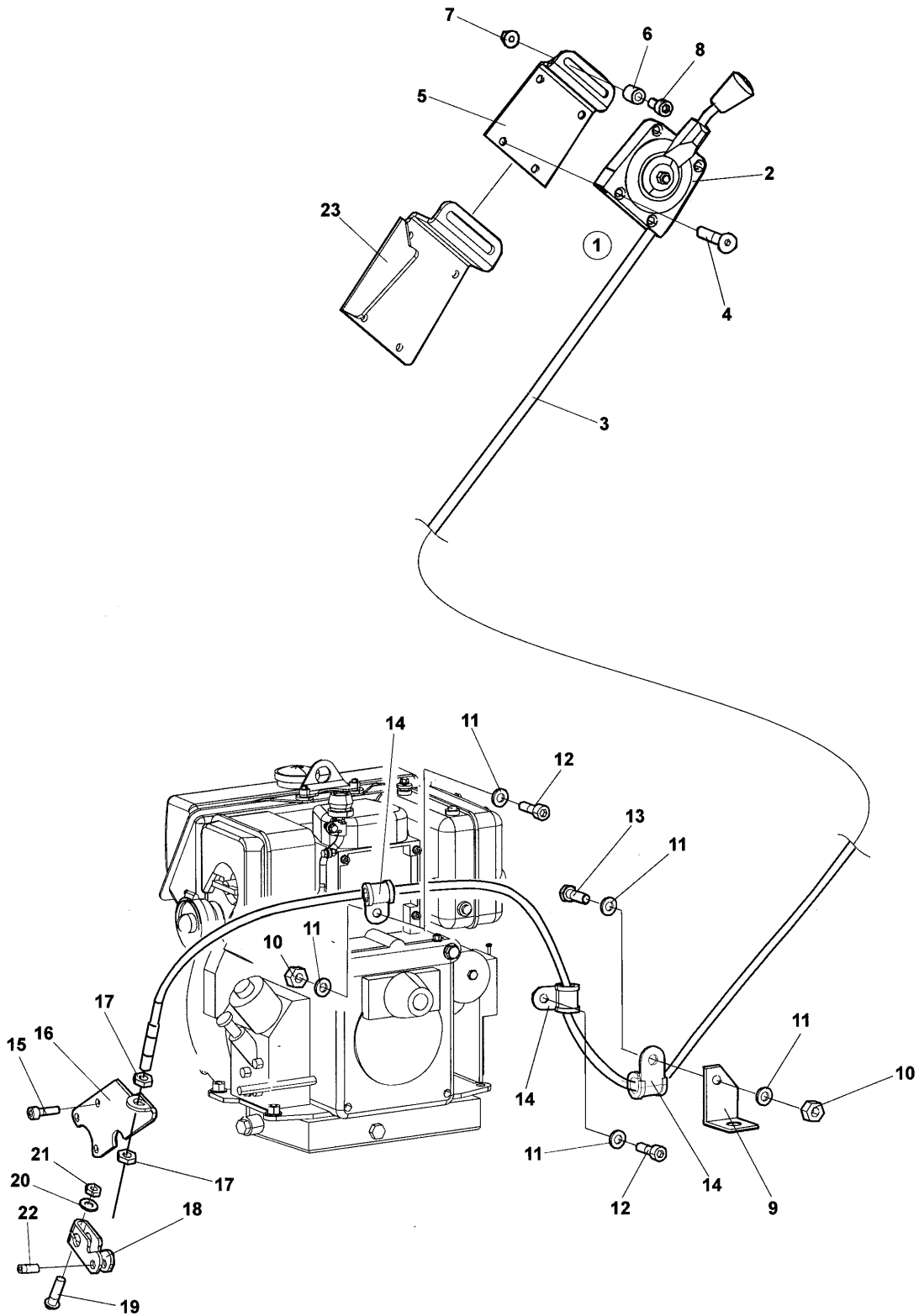
(L)OCAL REMARKS

A | en_US | L=1200mm

Refer to the Parts Online web page for most up-to-date information. The printed information might be outdated.

Tue Jul 19 05:22:46 MDT 2016

Throttle control Throttle control



Refer to the Parts Online web page for most up-to-date information. The printed information might be outdated.

Tue Jul 19 05:22:46 MDT 2016

Item	Part No.	Name	Qty	L
1	4700397492	Throttle control, complete	1	
2	4700455019	Throttle handle	1	
2	4700238443	Square nipple	1	
3	4700380751	Control cable, complete	1	
4	4700904687	Screw M5X25	4	A
4	4700904747	Screw	4	B
5	4700284365	Bracket	1	A
6	4700394417	Spacer	1	F
7	4700902285	Nut	1	B
8	4700508025	Screw, M6x20 mm 8.8 A2K	1	
9	4700282707	Bracket	1	
10	4700570004	Nut	3	
11	4700904228	Washer, 6.4x12x1.5 mm 300 HV	6	
12	-	Screw M6 x 20 mm 8.8 A2K	1	C
13	4700500040	Screw, M6x20 mm 8.8 A2K	1	
14	4700921065	Clamp	3	
15	-	Screw M6 x 20 mm 8.8 A2K	3	D
16	4700281228	Bracket	1	
17	-	Nut	2	E
18	4700239508	Throttle lever	1	D
19	-	Screw M6 x 20 mm 8.8 A2K	1	D
20	-	Washer M8 ISO 7089, 13/25,4x3,4	1	D
21	-	Nut	1	D
22	4700281236	Nipple	1	
23	4812070115	Throttle control bracket	1	B

Comments for Page: Throttle control

(L)OCAL REMARKS

A | en_US | Old version

B | en_US | New version

C | en_US | Use existing screw

D | en_US | Supplied with engine

Refer to the Parts Online web page for most up-to-date information. The printed information might be outdated.

Tue Jul 19 05:22:47 MDT 2016

E | en_US | Not loose part, supplied with throttle cable

F | en_US | Old version, use this spacer together with item 5

This page intentionally left blank

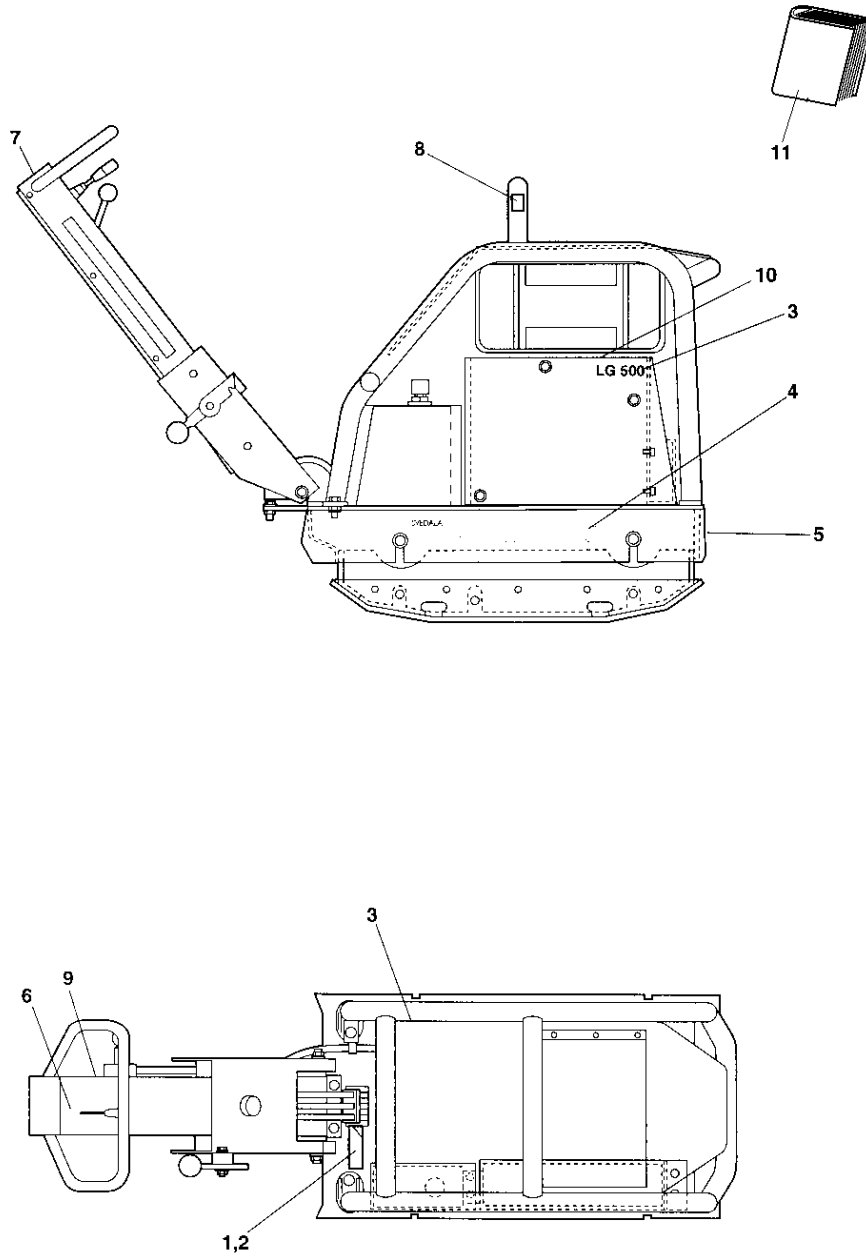
**NO DRAWING
AVAILABLE
FOR THIS BOM**

Item	Part No.	Name	Qty	L
10	-	Decals and equipment		

Refer to the Parts Online web page for most up-to-date information. The printed information might be outdated.

Tue Jul 19 05:22:47 MDT 2016

Decals and equipment Decals and equipment



Refer to the Parts Online web page for most up-to-date information. The printed information might be outdated.

Tue Jul 19 05:22:47 MDT 2016

Item	Part No.	Name	Qty	L
1	4700281270	Sign plate	1	
2	4700527002	Drive screw	4	
3	4700395397	Decal LG500	2	
4	4700379424	Decal "DYNAPAC"	2	
5	4700379423	Decal "DYNAPAC"	1	
6	4700904680	Safety label, read instruction manual	1	
7	4700281898	Label, use ear protectors	1	
8	4700281269	Label lifting point	2	
9	4700284285	Label, engine speed	1	
10	4700903832	Label Rotating V belt	1	
11	-	Documentation	1	
11	-	Spare parts catalogue SLG500	1	
11	-	Instruction book, engine	1	
11	-	Operation	1	
12	4700791297	Decal "SOUND POWER LEVEL" 109dB	1	

Refer to the Parts Online web page for most up-to-date information. The printed information might be outdated.

Tue Jul 19 05:22:47 MDT 2016