

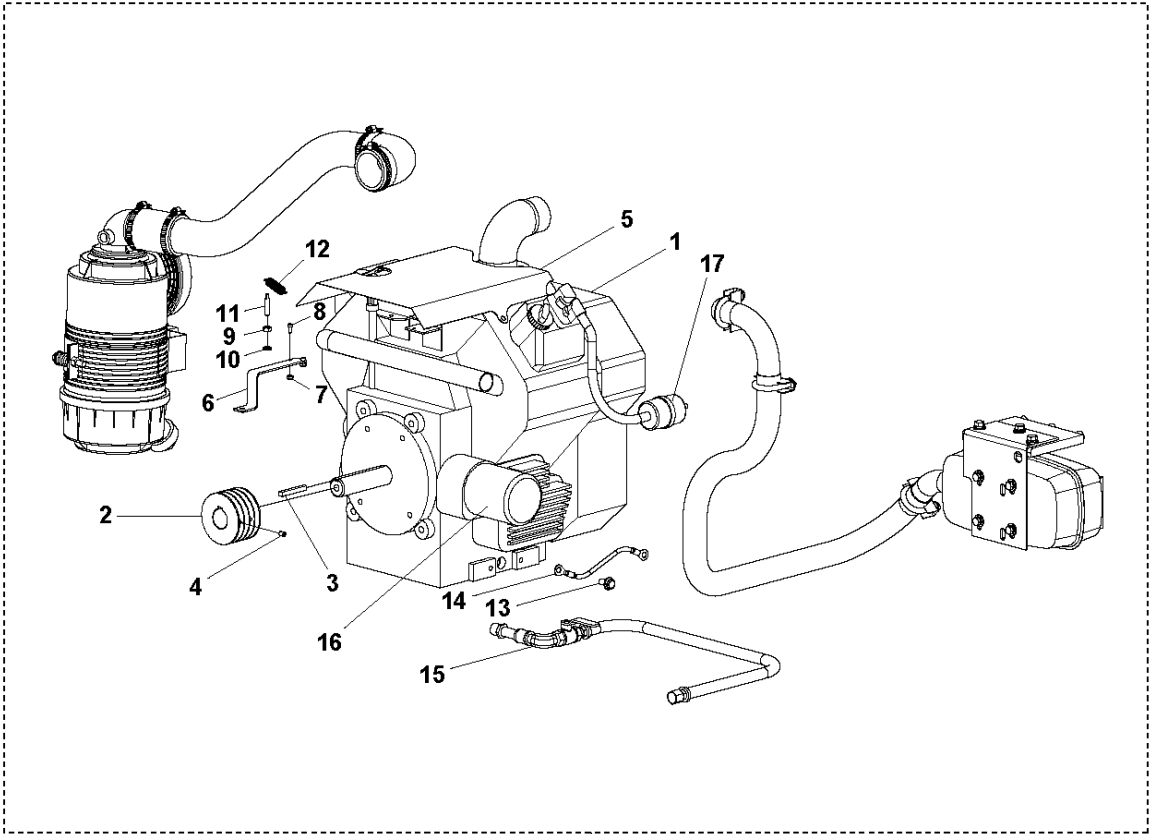


# SPARE PARTS LIST

EARLY ENTRY SAWS

SOFF CUT 4200, 2022-06

**A** SOFF CUT GX4200  
ENGINE



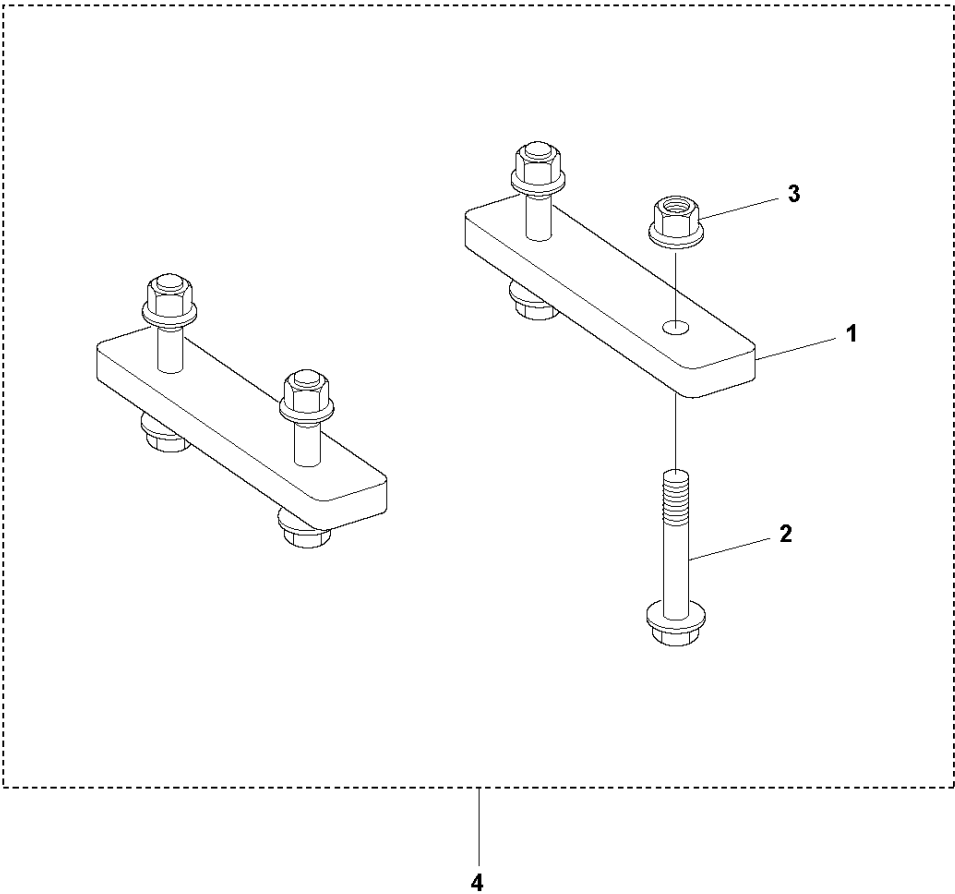
18

## ENGINE

SOFF CUT 4200, 2022-06

Ref	Part No	Description	Remark	QTY	KIT
1	581 83 08-01	ENGINE	Incl. 2 - 4	1	20
2	587 93 57-01	PULLEY	Rail 14", Incl. 2 - 4"	1	20
3	539 91 02-10	KEY	Rail 16", Incl. 2 - 4"	1	20
4	542 02 05-41	KEY		4	20
5	505 79 15-01	SHROUD		1	20
6	505 79 23-01	LINKAGE		1	20
7	505 80 21-01	NUT		2	20
8	505 62 76-01	BOLT		2	20
9	505 63 19-01	NUT		1	20
10	505 63 28-01	WASHER	14", 16", Rail 14"	1	20
11	505 77 45-01	ANCHOR	Rail 16"	1	20
12	505 63 58-01	SPRING		1	20
13	505 79 56-01	BOLT	Incl. 11 - 15	1	20
14	575 44 66-05	KIT		1	20
15	505 85 75-07	KIT		1	20
16	505 79 74-01	OIL FILTER	Incl. 16	1	20
17	505 79 82-01	FUEL FILTER		1	20
18	510 27 16-02	ASSEMBLY		1	

**B** SOFF CUT GX4200  
MOTOR MOUNT

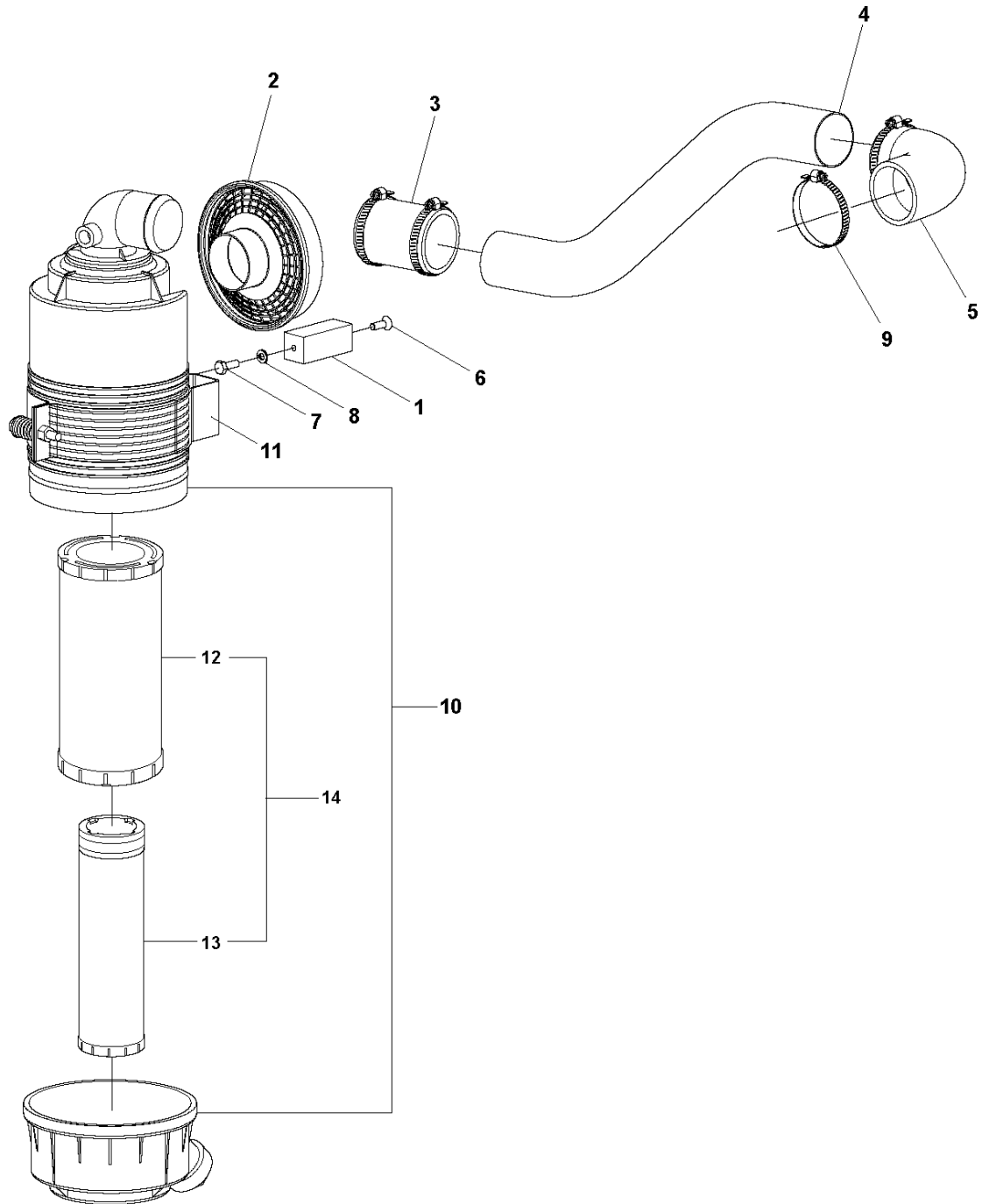


MOTOR MOUNT BUSHING

SOFF CUT 4200, 2022-06

Ref	Part No	Description	Remark	QTY	KIT
1	501 08 06-01	PLATE		2	4
2	576 64 57-05	NUT FLANGE		4	4
3	581 24 33-01	SCREW EHHFM		4	4
4	582 23 87-01	MOTOR KIT		1	

**C** SOFF CUT GX4200  
INTAKE SYSTEM

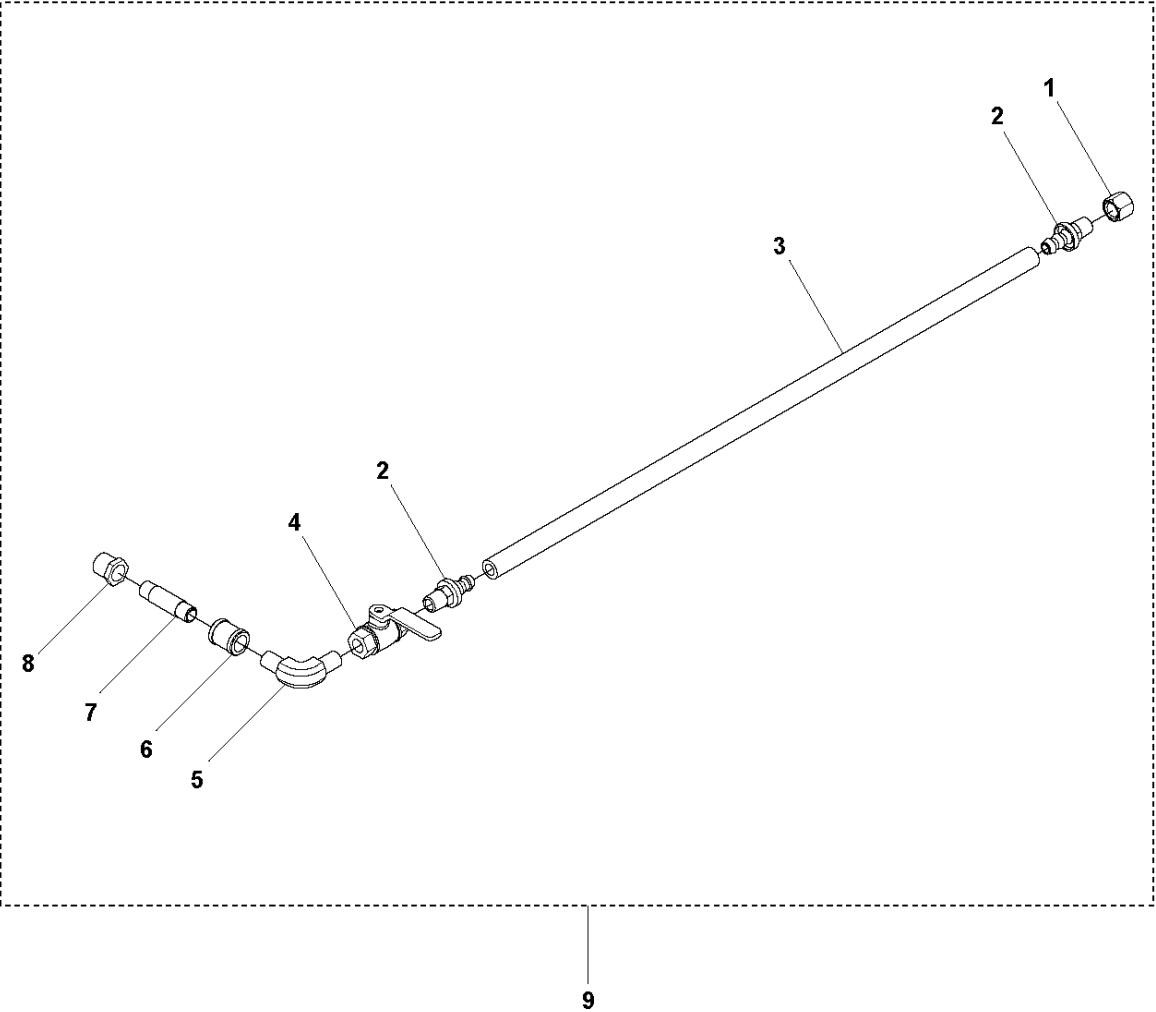


## INTAKE SYSTEM

SOFF CUT 4200, 2022-06

Ref	Part No	Description	Remark	QTY	KIT
1	505 79 33-01	BRACE		1	
2	505 83 63-01	HOOD		1	
3	575 65 42-03	HOSE		1	
4	505 79 18-01	TUBE		1	
5	505 74 50-02	ELBOW		1	
6	505 62 86-01	SCREW		1	
7	505 62 75-01	BOLT		1	
8	505 63 28-01	WASHER		1	
9	505 77 60-01	HOSE CLAMP		4	
10	505 83 61-01	AIR CLEANER		1	
11	523 01 76-01	BRACKET		1	
12	505 79 80-01	AIR FILTER		1	14
13	505 79 81-01	AIR FILTER		1	14
14	505 48 23-06	FILTER	Air filter kit (2 inner filters & 2 outer filters)	1	
14	536 97 59-01	AIR FILTER	Air filter kit (air filter 1-pack)	1	

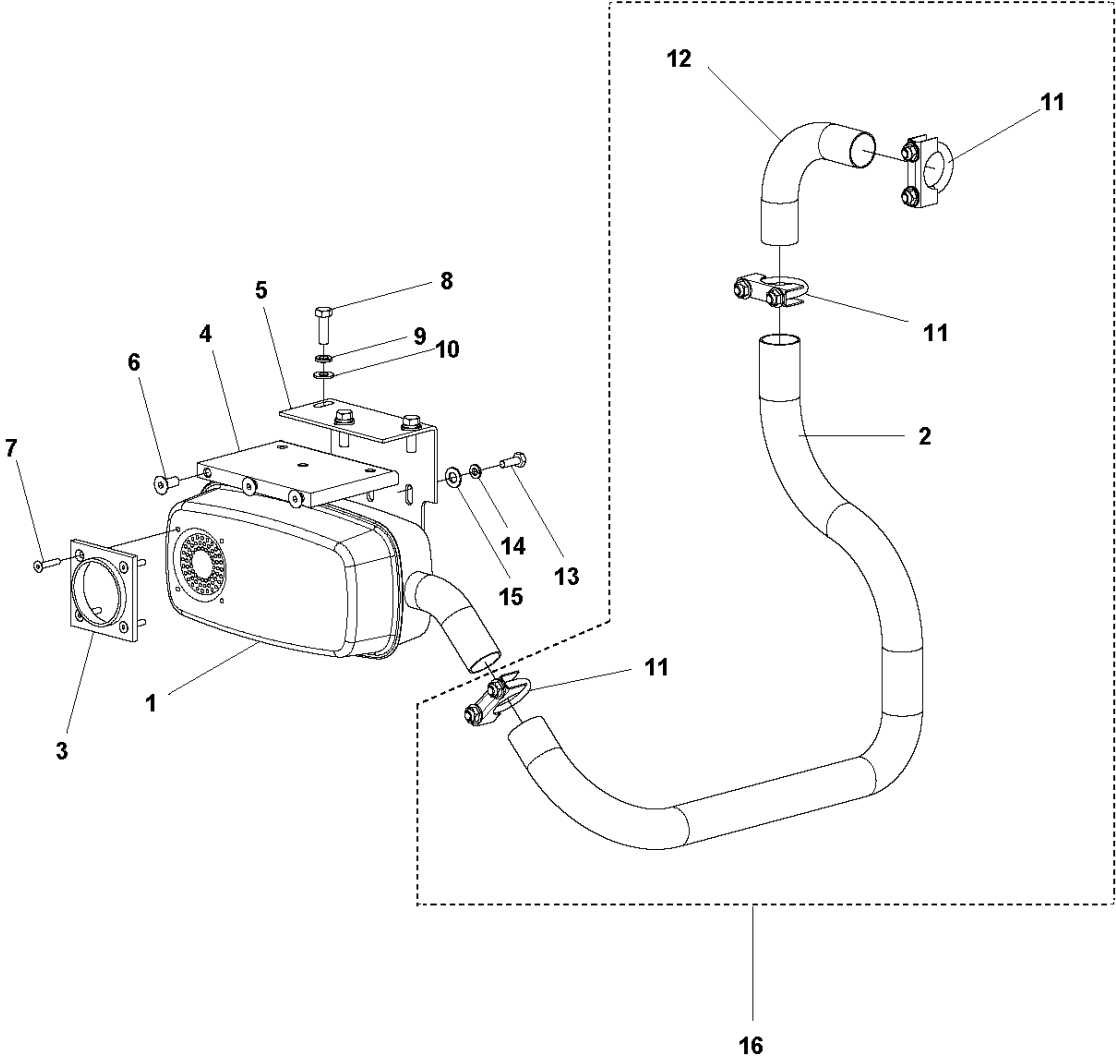
**D** SOFF CUT GX4200  
OIL DRAIN





Ref	Part No	Description	Remark	QTY	KIT
1	505 77 66-01	CAP		1	9
2	505 73 86-01	FITTING		2	9
3	505 73 85-01	HOSE		1	9
4	505 73 89-01	VALVE		1	9
5	505 73 87-01	ADAPTER		1	9
6	505 79 66-01	FITTING		1	9
7	505 79 65-01	NIPPLE		1	9
8	505 79 64-01	BUSHING		1	9
9	505 85 75-07	KIT		1	

**E** SOFF CUT GX4200  
EXHAUST SYSTEM

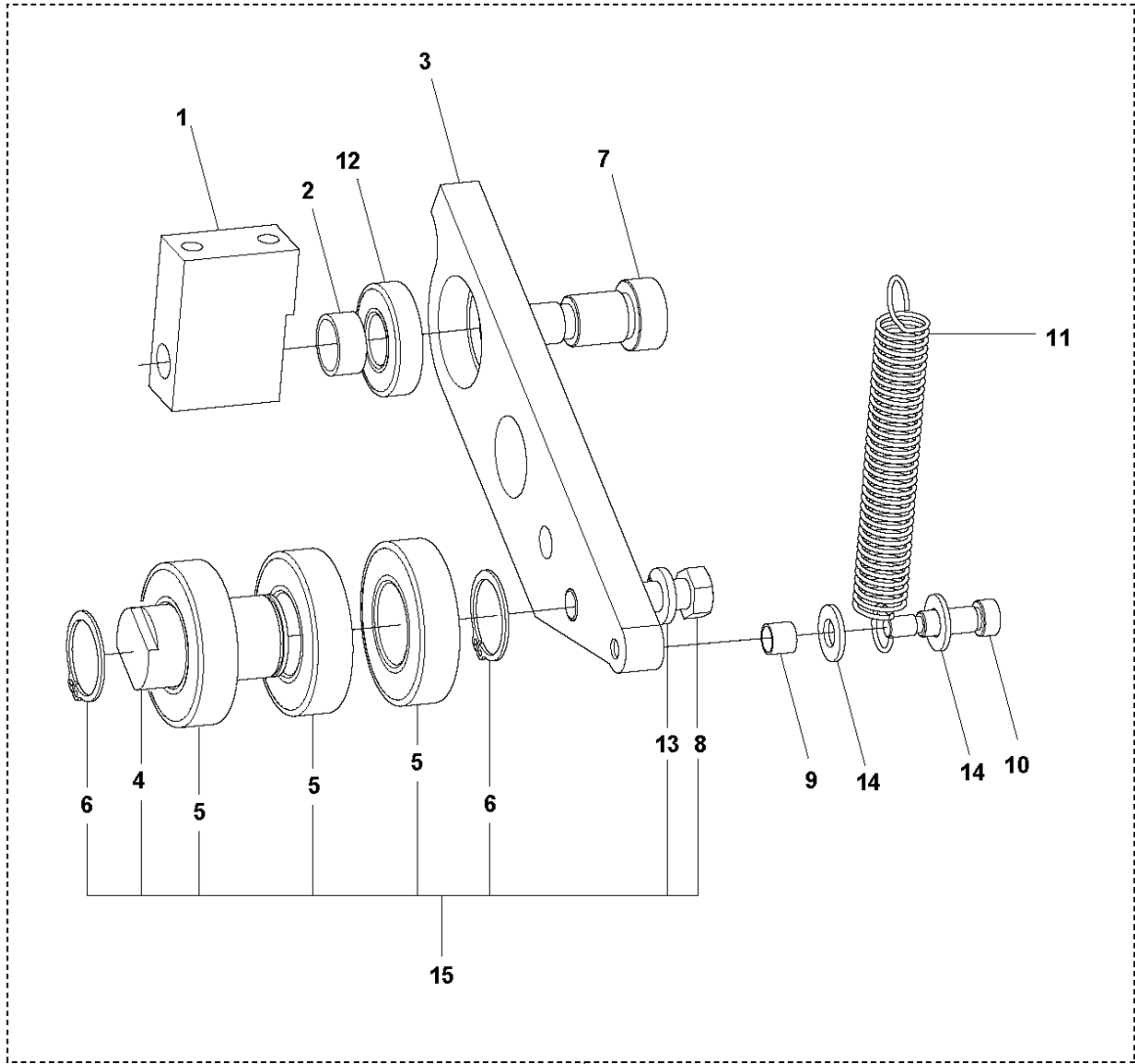


## EXHAUST

SOFF CUT 4200, 2022-06

Ref	Part No	Description	Remark	QTY	KIT
1	505 79 72-01	MUFFLER		1	
2	505 87 06-01	MUFFLER PIPE		1	16
3	505 79 28-01	SPACER		1	
4	505 79 29-01	PLATE		1	
5	505 76 73-02	BRACKET		1	
6	505 62 88-01	SCREW		3	
7	505 73 00-01	SCREW		4	
8	539 99 02-09	SCREW		3	
9	505 63 30-01	WASHER		3	
10	539 99 01-88	WASHER		3	
11	505 74 32-01	CLAMP		3	16
12	505 79 73-01	ELBOW		1	16
13	505 62 75-01	BOLT		4	
14	505 63 28-01	WASHER		4	
15	505 72 55-01	FLAT WASH 1/4 PFC9 SAE ZINC		4	
16	505 87 06-01	MUFFLER PIPE		1	

**F** SOFF CUT GX4200  
BLADE IDLER PULLEY

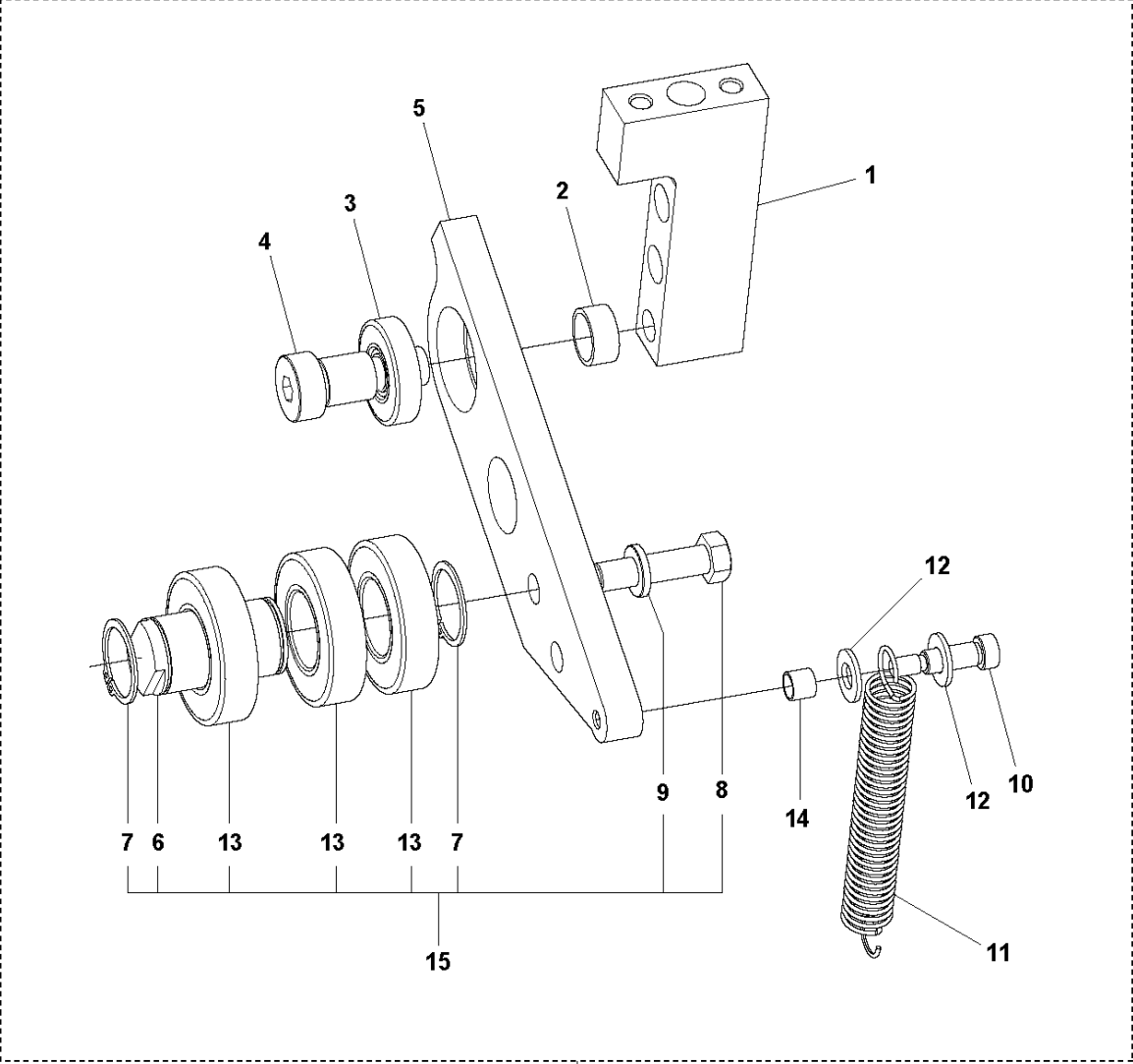


## BLADE IDLER PULLEY

SOFF CUT 4200, 2022-06

Ref	Part No	Description	Remark	QTY	KIT
1	505 71 48-01	PULLEY		1	16
2	505 71 46-02	SPACER		1	16
3	505 70 69-01	PULLEY		1	16
4	505 70 68-01	SHAFT		1	15, 16
5	505 73 63-01	BALL BEARING		3	15, 16
6	542 20 62-05	SNAP RING		2	15, 16
7	505 72 62-01	BOLT		1	16
8	539 97 69-41	SCREW	HHCS, .375-16 x 1.25 GR 5 Z/P	1	15, 16
9	505 71 79-01	BUSHING		1	16
10	505 72 64-01	BOLT		1	16
11	505 79 69-01	SPRING		1	16
12	505 73 60-01	BALL BEARING		1	16
13	505 73 10-01	WASHER		1	15, 16
14	539 99 01-88	WASHER		2	16
15	505 86 04-01	BLADE		1	16
16	510 27 17-02	BLADE		1	

**G** SOFF CUT GX4200  
PUMP IDLER PULLEY

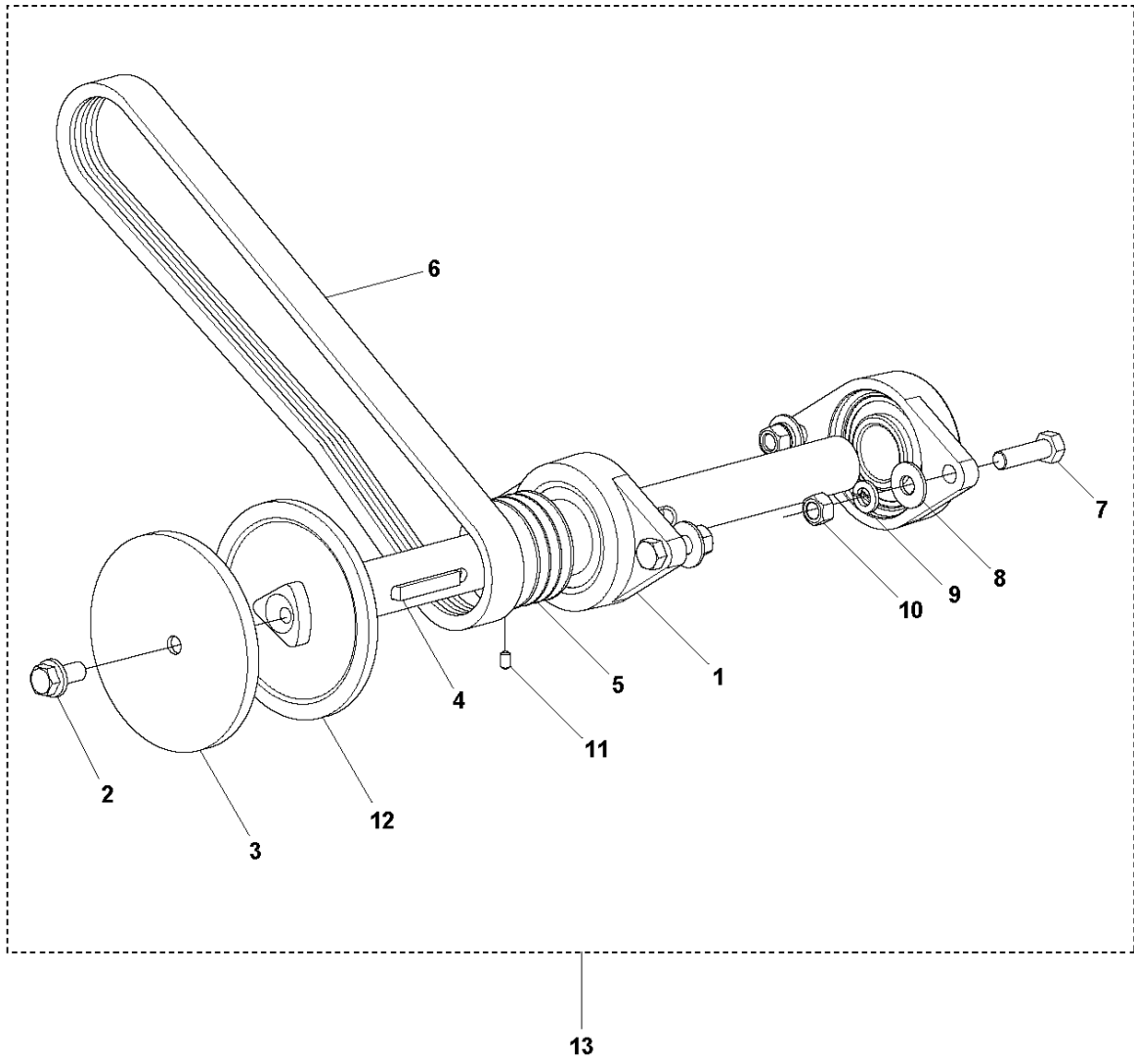


## PUMP IDLER PULLEY

SOFF CUT 4200, 2022-06

Ref	Part No	Description	Remark	QTY	KIT
1	505 71 44-01	PULLEY		1	16
2	505 71 46-02	SPACER		1	16
3	505 73 60-01	BALL BEARING		1	16
4	505 72 62-01	BOLT		1	15, 16
5	505 70 69-01	PULLEY		1	15, 16
6	505 70 68-01	SHAFT		1	15, 16
7	542 20 62-05	SNAP RING		2	16
8	539 97 69-41	SCREW	HHCS, .375-16 x 1.25 GR 5 Z/P	1	15, 16
9	505 73 10-01	WASHER		1	16
10	505 72 64-01	BOLT		1	16
11	505 77 46-01	SPRING		1	16
12	539 99 01-88	WASHER		2	16
13	505 73 63-01	BALL BEARING		3	15, 16
14	505 71 79-01	BUSHING		1	16
15	505 48 34-01	PULLEY		1	16
16	510 27 18-02	BELT TENSIONER ASSY		1	

**H** SOFF CUT GX4200  
BLADE SHAFT



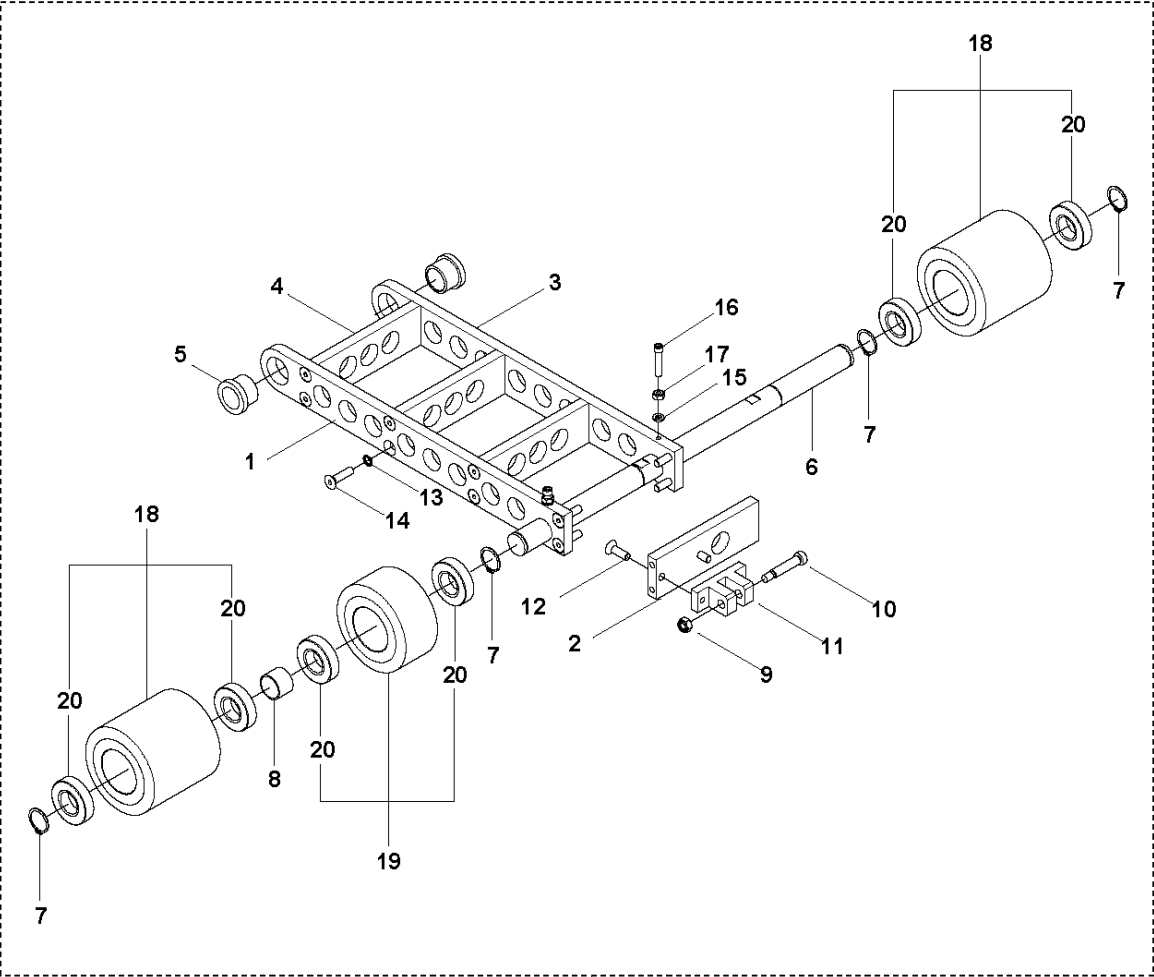


## BLADE SHAFT

SOFF CUT 4200, 2022-06

Ref	Part No	Description	Remark	QTY	KIT
1	505 77 41-01	BLADE SHAFT		2	13
2	505 48 37-01	BOLT		1	13
3	505 49 15-05	WASHER		1	13
4	541 20 33-99	KEY		1	13
5	582 04 67-01	PULLEY		1	13
6	505 77 74-01	V-BELT		1	13
7	505 72 70-01	BOLT		4	13
8	505 73 14-01	WASHER		4	13
9	505 73 11-01	WASHER		4	13
10	541 20 48-36	NUT		4	13
11	542 02 05-50	SCREW		4	13
12	505 57 32-04	SHAFT		1	13
13	510 27 22-02	BLADE SHAFT	Blade shaft assy	1	

**SOFF CUT GX4200  
FRONT WHEEL CARRIAGE**

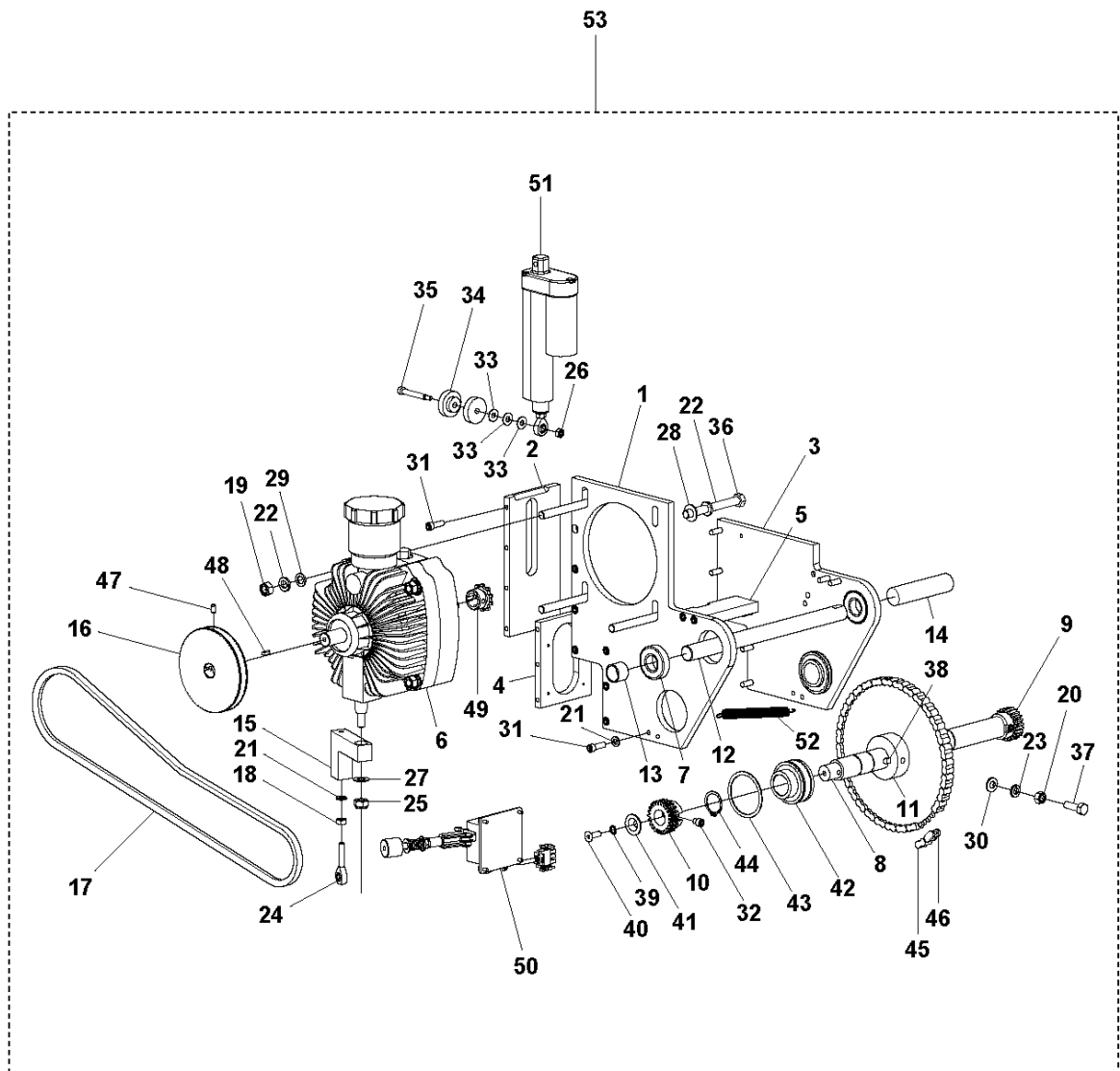


## FRONT WHEEL CARRIAGE

SOFF CUT 4200, 2022-06

Ref	Part No	Description	Remark	QTY	KIT
1	505 75 49-01	SUPPORT		1	21
2	505 75 51-01	FRONT WHEEL BRACKET		1	21
3	505 75 48-01	FRONT WHEEL AXLE SUP		1	21
4	505 75 50-01	BRACKET		3	21
5	505 70 51-01	BUSHING		2	21
6	505 76 40-01	AXLE		1	21
7	542 20 62-05	SNAP RING		4	21
8	505 76 41-01	SPACER		1	21
9	539 99 07-17	NUT		1	21
10	505 77 15-01	BOLT		1	21
11	505 75 69-01	BRACKET		1	21
12	505 73 01-01	SCREW		2	21
13	505 68 63-01	WASHER		16	21
14	505 73 01-01	SCREW		16	21
15	505 63 28-01	WASHER		2	21
16	505 62 80-01	BOLT		2	21
17	505 63 19-01	NUT		2	21
18	505 86 91-01	WHEEL ASSY		1	21
19	505 86 92-01	WHEEL ASSY		1	21
20	505 73 63-01	BALL BEARING		6	18, 19, 21
21	510 27 14-02	CARRIAGE		1	

**J** SOFF CUT GX4200  
PUMP

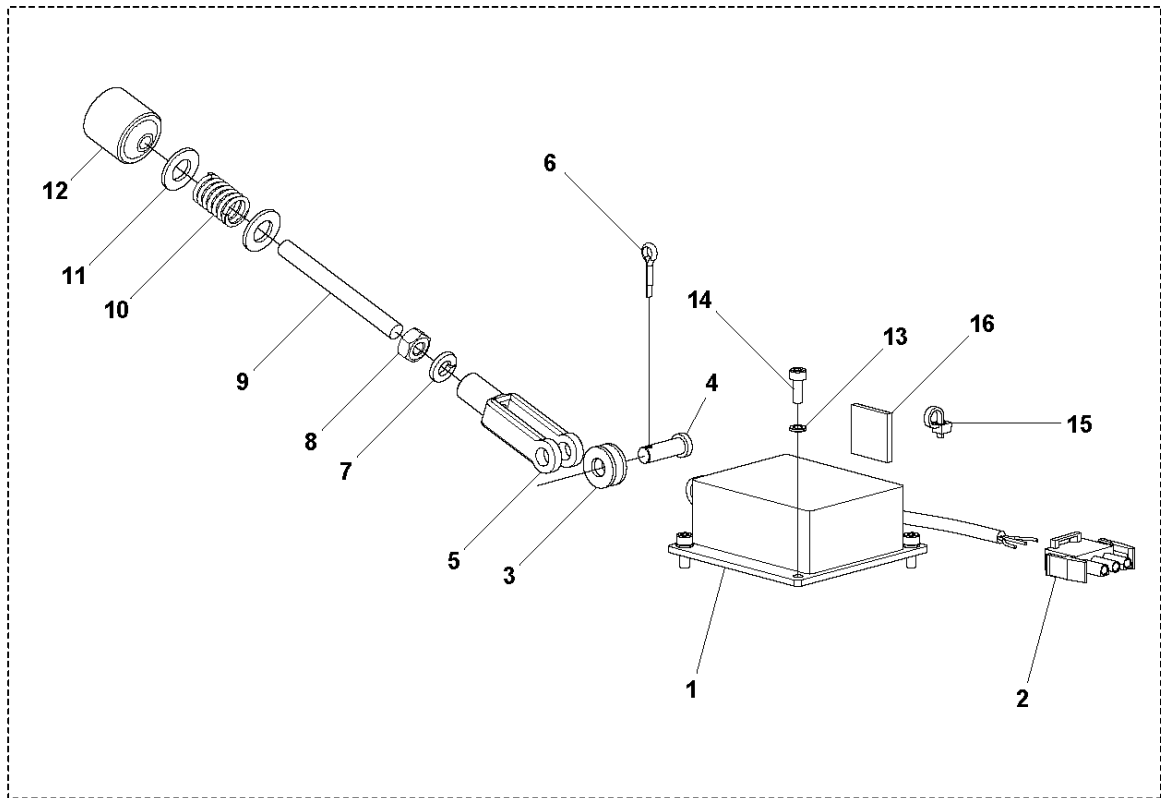


## HYDRAULIC PUMP - MOTOR

SOFF CUT 4200, 2022-06

Ref	Part No	Description	Remark	QTY	KIT
1	505 75 65-01	PUMP SUPPORT PLATE RIGHT	Right	1	53
2	505 75 66-01	BLOCK		1	53
3	505 60 76-01	PUMP SUPPORT PLATE LEFT	Left	1	53
4	505 70 61-01	PLATE		1	53
5	505 75 68-01	PUMP BRACE TOP		1	53
6	582 38 28-01	TRANSMISSION		1	53
7	505 73 61-01	BALL BEARING		2	53
8	505 76 47-01	DRIVE SHAFT		1	53
9	505 77 71-01	GEAR WHEEL		1	53
10	505 77 70-01	GEAR		1	53
11	505 73 94-01	SPROCKET		1	53
12	505 76 57-01	SHAFT		1	53
13	505 76 58-01	SPACER		1	53
14	505 76 56-01	PIPE		1	53
15	505 76 46-01	BRACKET		1	53
16	587 93 53-01	PULLEY		1	53
17	505 77 75-01	V-BELT		1	53
18	505 73 29-01	NUT		1	53
19	539 99 01-30	NUT		4	53
20	505 73 24-01	NUT		1	53
21	505 63 28-01	WASHER		3	53
22	505 73 10-01	WASHER		8	53
23	505 63 30-01	WASHER		1	53
24	505 74 34-01	ROD END		1	53
25	539 30 07-70	NUT		1	53
26	505 63 04-01	NUT		1	53
27	505 63 42-01	WASHER		1	53
28	539 99 05-17	WASHER		4	53
29	505 72 40-01	WASHER		4	53
30	505 72 52-01	WASHER		1	53
31	505 62 78-01	BOLT		19	53
32	505 77 27-01	SCREW		4	53
33	505 63 44-01	WASHER		3	53
34	505 75 67-01	SPACER		2	53
35	505 72 60-01	BOLT		1	53
36	539 30 08-70	NLA HCS 3/8-16 X 3-1/2 GR 5 ZN	NLA HCS 3/8-16 X 3-1/2 GR 5 ZN	4	53
37	539 99 02-09	SCREW		1	53
38	541 20 34-04	KEY		1	53
39	505 68 62-01	WASHER		2	53
40	505 62 86-01	SCREW		2	53
41	505 76 48-01	WASHER		2	53
42	505 68 94-01	SHAFT		2	53
43	505 69 02-01	SNAP RING		2	53
44	542 20 62-05	SNAP RING		2	53
45	505 86 97-01	CHAIN		1	53
46	505 73 96-01	LINK		1	53
47	542 02 05-68	SCREW	SHSS, .25-20 x .375 HK	2	53
48	539 30 07-49	KEY		2	53
49	587 65 99-01	SPROCKET		1	53
50	505 74 98-01	SPEED CONTROL SYSTEM		1	53
51	505 84 71-01	ACTUATOR		1	53
52	505 77 52-01	SPRING		1	53
53	510 27 19-02	ASSEMBLY		1	

**K** SOFF CUT GX4200  
SPEED CONTROL ACTUATOR

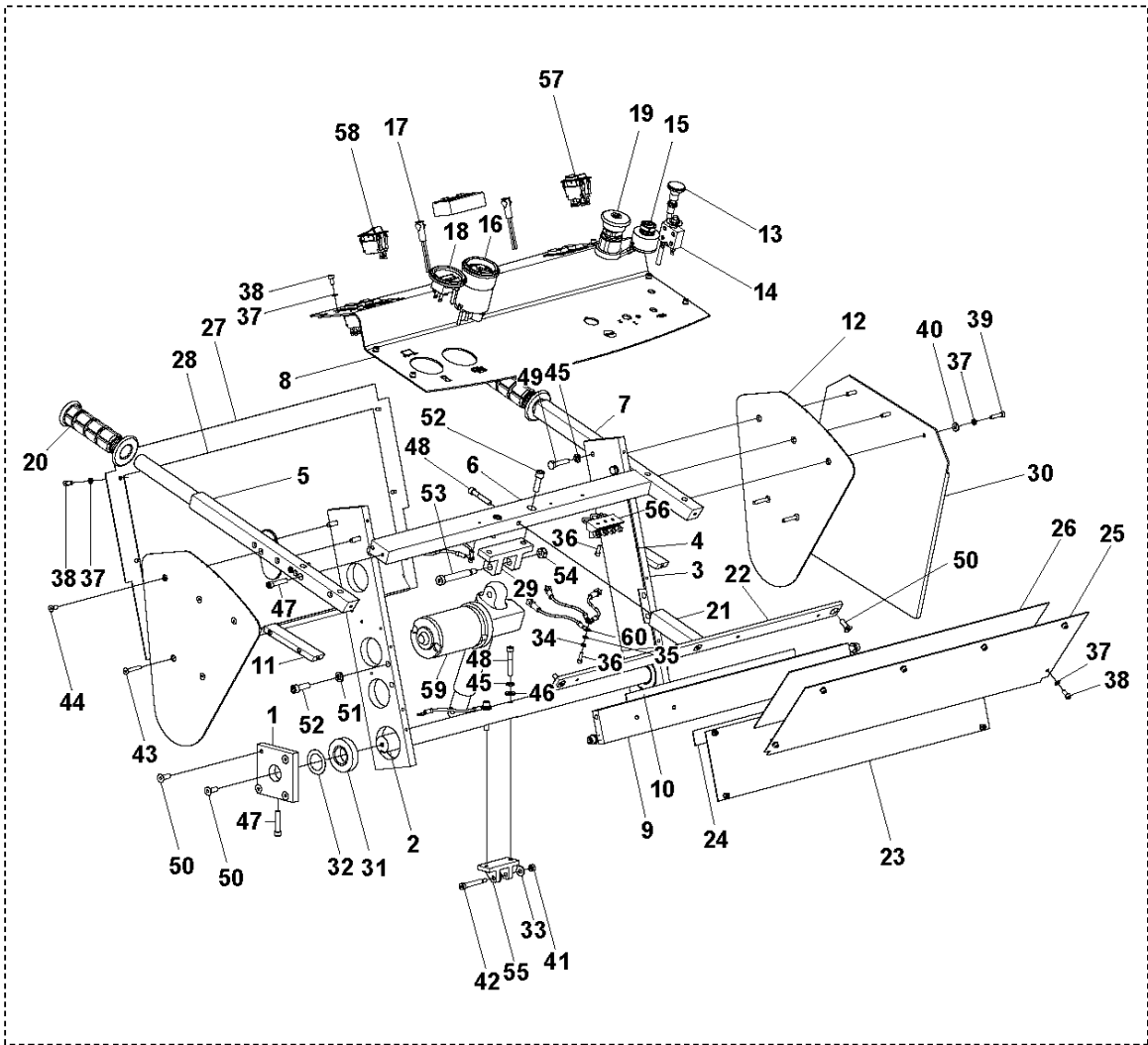


## SPEED CONTROL

SOFF CUT 4200, 2022-06

Ref	Part No	Description	Remark	QTY	KIT
1	505 84 51-01	SPEED CONTROL SYSTEM		1	17
2	505 75 16-01	PLUG		1	17
3	505 63 20-01	WASHER		2	17
4	505 74 35-01	CLEVIS		1	17
5	505 74 33-01	YOKE		1	17
6	505 73 97-01	PIN		1	17
7	505 63 28-01	WASHER		1	17
8	505 73 29-01	NUT		1	17
9	505 77 08-01	STUD		1	17
10	505 77 51-01	SPRING		1	17
11	505 72 55-01	FLAT WASH 1/4 PFC9 SAE ZINC		2	17
12	505 75 52-01	ADJUSTER		1	17
13	505 63 24-01	WASHER		4	17
14	505 62 76-01	BOLT		4	17
15	510 33 17-01	TIE WRAP		1	17
16	510 33 16-02	TIE WRAP		1	17
17	505 74 98-01	SPEED CONTROL SYSTEM		1	

**L** SOFF CUT GX4200  
CONTROL PANEL

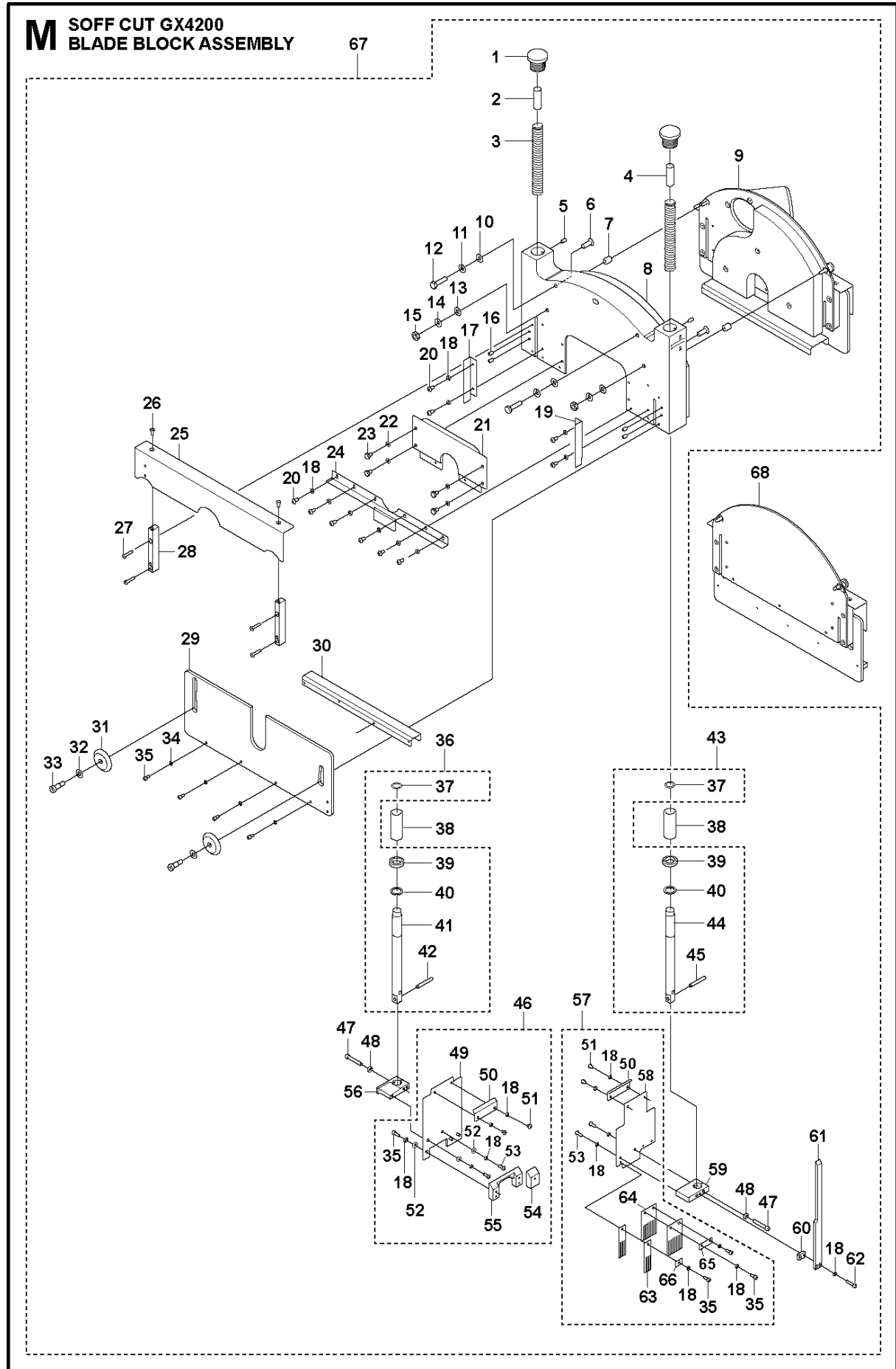




## CONTROL PANEL

SOFF CUT 4200, 2022-06

Ref	Part No	Description	Remark	QTY	KIT
1	505 71 21-01	PLATE		2	61
2	505 76 34-01	SHAFT		1	61
3	505 71 18-01	PLATE		2	61
4	505 72 09-01	INSULATOR		2	61
5	505 75 95-01	HANDLEBAR		1	61
6	505 75 86-01	CROSSBAR		1	61
7	505 75 94-01	HANDLEBAR		1	61
8	505 79 35-01	CONTROL PANEL		1	61
9	505 75 87-01	BOTTOM SUPPORT BRACE		1	61
10	505 76 98-01	RUBBER FOR 3535-01 14"1/8L 2"W		1	61
11	505 70 80-01	SPACER		2	61
12	505 71 19-01	PLATE		2	61
13	505 69 50-01	CHOKE		1	61
14	505 60 51-01	CIRCUIT BREAKER		1	61
15	505 79 76-01	KEY SWITCH		1	61
16	505 75 02-02	HOURLY METER		1	61
17	505 84 60-01	LIGHT		2	61
18	542 16 64-38	GAUGE		1	61
19	505 70 44-01	STOP SWITCH		1	61
20	505 60 11-01	HANDLE GRIP		2	61
21	505 70 83-01	BRACKET		1	61
22	505 75 85-01	CROSSBAR		1	61
23	505 75 79-01	COVER		1	61
24	505 76 97-01	RUBBER FOR 3526 20 7/8L 7/8W		1	61
25	505 75 77-01	COVER		1	61
26	505 76 96-01	INSULATOR		1	61
27	505 75 76-01	COVER		1	61
28	505 76 95-01	RUBBER FOR 3523		1	61
29	505 75 70-01	ACTUATOR		1	61
30	505 72 15-01	JOINT		1	61
31	505 73 63-01	BALL BEARING		2	61
32	505 73 69-01	SHIM		1	61
33	505 63 44-01	WASHER		2	61
34	505 63 27-01	WASHER		2	61
35	505 73 17-01	LK WASH #8 EXT TOOTH		2	61
36	505 62 82-01	BOLT		3	61
37	505 63 31-01	WASHER		27	61
38	505 62 77-01	BOLT		24	61
39	505 72 96-01	BOLT	SHCS 10-32 X 1/2 S.S.	3	61
40	505 63 53-01	WASHER		3	61
41	505 63 04-01	NUT		1	61
42	505 72 60-01	BOLT		1	61
43	505 72 98-01	SCREW		4	61
44	505 72 99-01	SCREW		3	61
45	505 63 28-01	WASHER		6	61
46	505 63 20-01	WASHER		2	61
47	505 62 79-01	BOLT	SHCS .25-20 X 1 S.S.	6	61
48	505 72 88-01	BOLT		3	61
49	505 72 74-01	BOLT		4	61
50	505 62 86-01	SCREW		13	61
51	505 63 30-01	WASHER		4	61
52	505 77 25-01	SCREW		6	61
53	505 62 72-01	BOLT		1	61
54	539 99 07-17	NUT		1	61
55	505 70 66-01	BRACKET		1	61
56	505 75 27-01	BLOCK		1	61
57	589 66 89-01	TOGGLE SWITCH	DP-rocker(ON)-OFF-(ON)	5	61
58	589 66 90-01	TOGGLE SWITCH	Rocker DP-ON-OFF	1	61
59	505 84 49-02	HANDLE		1	61
60	575 44 66-02	GROUND CABLE		5	61
61	510 27 23-02	ASSEMBLY		1	



## BLADE BLOCK ASSEMBLY

SOFF CUT 4200, 2022-06

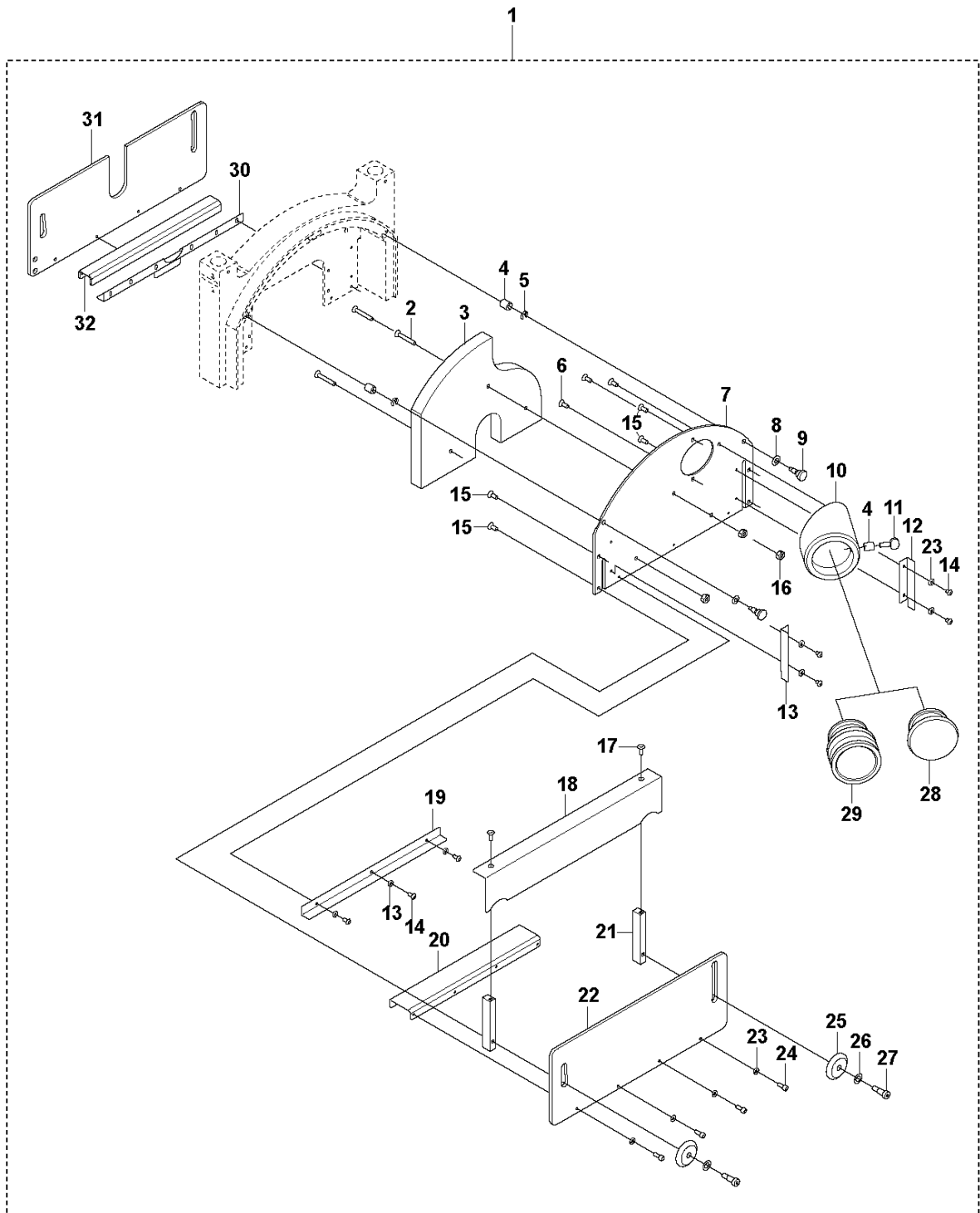
Ref	Part No	Description	Remark	QTY KIT	
1	505 75 98-01	KNOB	Knob, blade block	2	67
2	505 78 87-01	ROD	Rear plastic rod/blade block GX4200	1	67
3	505 79 07-01	BLADE	Spring, blade block, GX4200	2	67
4	505 78 86-01	ROD	Front plastic rod/blade block GX4200	1	67
5	505 63 00-01	SCREW	Set screw, DOG 1/4-20 X 1/2 SS	2	67
6	505 77 35-01	BUSHING	BHS 5/16-18 X 1 S.S.	2	67
7	505 74 83-01	INSERT	Threaded insert S.S.	2	67
8	505 78 82-01	BLADE	Blade block for 3" depth	1	67
9	505 49 40-06	COVER	Vacuum B.B. covers Soff-cut 4200	1	67
10	539 99 01-22	WASHER	Washer, flat sae .375	2	67
11	505 73 10-01	WASHER	Split washer 3/8 S.S.	2	67
12	539 97 69-41	SCREW	HHCS, .375-16 x 1.25 GR 5 Z/P	2	67
13	539 99 01-88	WASHER	Washer, flat sae .3125 Z/P	2	67
14	505 63 30-01	WASHER	Lockwasher .3125 SPLIT SS	2	67
15	539 99 01-96	NUT	Nut, STD HEX .3125-18 Z/P	2	67
16	505 73 41-01	SCREW	Set screw, cone 1/4-20 X 1/2	4	67
17	505 78 97-01	BRACKET	Angle diverter-right/bk blade block	1	67
18	505 63 31-01	WASHER	Split washer #10 S.S.	26	46, 57, 67
19	505 78 96-01	BRACKET	Angle diverter-left/bk blade block	1	67
20	505 62 77-01	BOLT	SHCS 10-32 X .375 S.S.	10	67
21	505 78 98-01	BELT	Cover plate, belt access, GX4000	1	67
22	505 73 18-01	WASHER	Lockwasher 1/4 ext tooth	4	67
23	505 62 73-01	BOLT	HHB, 1/4-20 X 3/8 S.S.	4	67
24	505 79 50-01	ANGLE BRACKET	BB angle diverter, back, GX4200	1	9, 67
25	505 76 23-01	BRACKET	Angle bracket, blade block, inner	1	67
26	505 72 99-01	SCREW	FHS 10-32 X 1/2 S.S.	2	67
27	505 73 00-01	SCREW	FHS 10-32 X 1 S.S.	4	67
28	505 78 94-01	BLOCK	Block diverter mtg, inner	2	67
29	505 79 48-01	COVER	Cover, inner lexan, GX4200	1	9, 67
30	529 60 42-01	CHANNEL	Channel, inner	1	9, 67
31	505 76 17-01	WASHER	Washer, lexan cover	2	67
32	505 63 42-01	WASHER	Washer, 3/8" X .03THK FLAT S.S.	2	67
33	505 62 71-01	BOLT	SHSH bolt 3/8 X 5/8 BLK STL	2	67
34	505 63 31-01	WASHER	Split washer #10 S.S.	4	67
35	505 72 96-01	BOLT	SHCS 10-32 X .375 S.S.	7	46, 57, 67
36	505 88 81-01	FRONT AXLE ASSY	Kit, front B.B. Shaft, GX4000	1	67
37	505 73 36-01	SNAP RING	C-clip, 3/4"	2	36, 43, 67
38	505 66 78-01	SHAFT	Bushing,.750X1.00X 2.50, bronze	2	67
39	505 73 80-01	SEAL	Dust seal, 3/4" shaft	2	36, 43, 67
40	541 40 14-72	RING	Retaining ring, spiral .042" T	2	36, 43, 67
41	505 78 85-01	ROD	Front rod, blade block, for X4200	1	36, 67
42	505 77 40-01	PIN	Dowel pin, 1/4 x 1.25, steel	1	36, 67
43	505 88 80-01	REAR AXLE	Kit, rear B.B. shaft, GX4000	1	67

## BLADE BLOCK ASSEMBLY

SOFF CUT 4200, 2022-06

Ref	Part No	Description	Remark	QTY	KIT
44	505 78 84-01	REAR AXLE	Rear rod, blade block for X4200	1	43, 67
45	587 91 82-01	PIN	Pin, groove E, 1/4" x 2"	1	43, 67
46	505 88 84-01	PLATE	Kit, front scraper, GX4000	1	67
47	505 72 87-01	BOLT	SHCS .25-20 X 1.5 B/O	2	67
48	505 63 28-01	WASHER	Lockwasher .25 split SS	2	67
49	505 78 90-01	PLATE	Plate, front diverter, GX4000	1	46, 67
50	505 76 20-01	STEEL	Steel wiper / blade block	2	46, 57, 67
51	505 62 95-01	SCREW	SBHCS 10-32 X .5 S.S.	4	46, 57, 67
52	505 63 53-01	WASHER	Washer, #10 FLAT S.S.	7	46, 67
53	505 62 98-01	SCREW	SBHCS 10-32 X .5 S.S.	4	46, 57, 67
54	505 78 95-01	BRACKET	Block, front diverter, small	1	46, 67
55	505 71 03-01	BLOCK	Block, front diverter	1	46, 67
56	505 76 08-01	FRONT AXLE ASSY	Front rod clamp angled	1	67
57	505 88 83-01	REAR AXLE	Kit, rear scraper, GX4000	1	67
58	505 78 88-01	PLATE	Diverter plate, rear	1	57, 67
59	505 76 02-01	REAR AXLE	Rear rod clamp, blade block (DPT PT)	1	67
60	505 76 07-01	SPACER	Depth pointer spacer	1	67
61	505 76 06-01	POINTER	Depth pointer spacer	1	67
62	505 77 28-01	BOLT	SHCS 10-32 X 7/8 S.S.	2	67
63	505 76 92-01	FLAP	Dust flap, small	2	57, 67
64	505 76 90-01	FLAP	dust flap, large	2	57, 67
65	505 76 89-01	BAR	Bar, mounting, large dust flap	1	57, 67
66	505 76 91-01	BAR	Bar, mounting, small dust flap	1	57, 67
67	595 84 40-01	BLADE BLOCK	Blade block system 4200 w/vac	1	
68	505 86 09-01	BLADE		1	

**N** SOFF CUT GX4200  
BLADE BLOCK COVER - VAC PORT

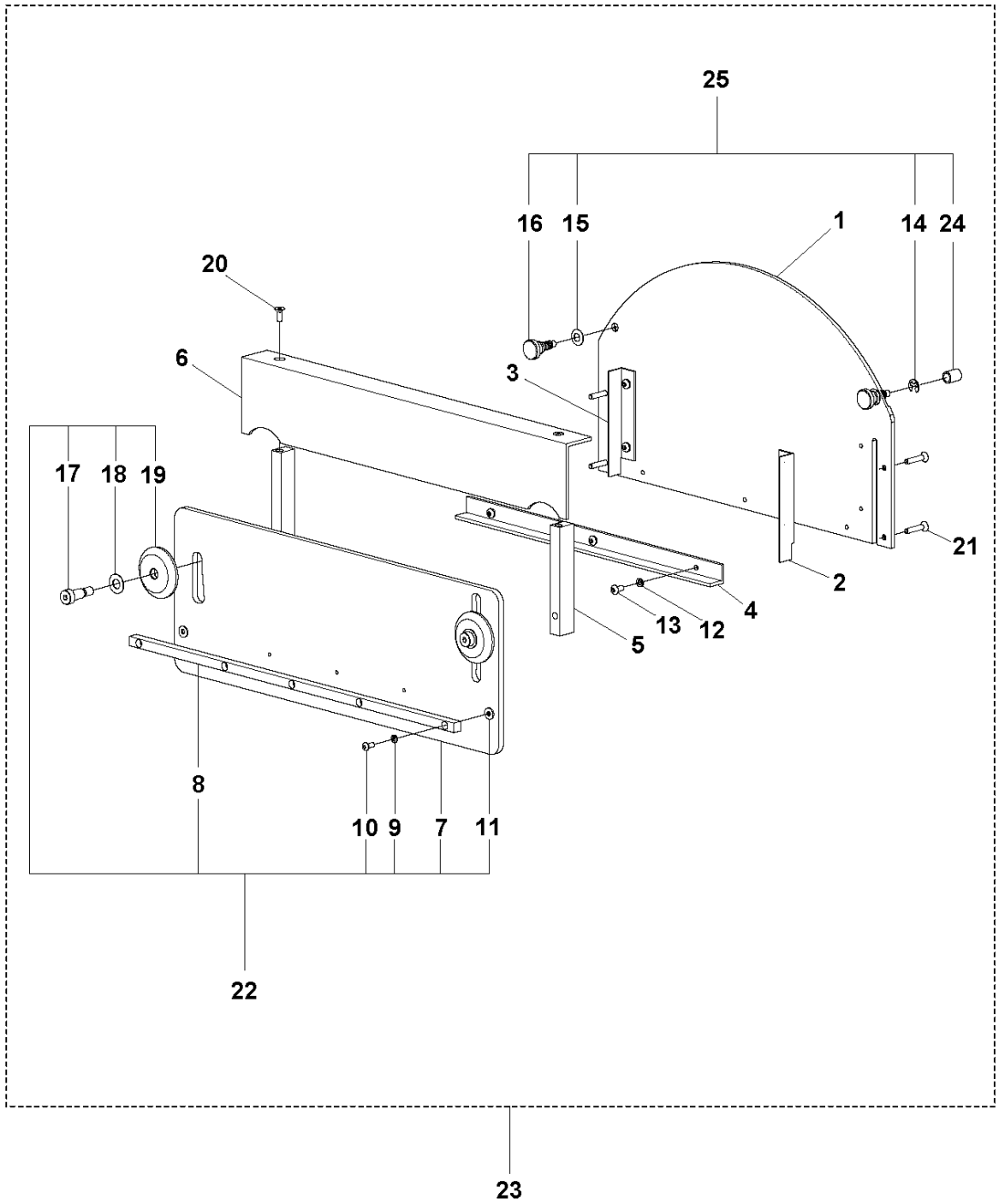


## BLADE BLOCK COVER - VAC PORT

SOFF CUT 4200, 2022-06

Ref	Part No	Description	Remark	QTY KIT
1	505 49 40-06	COVER	Vacuum B.B. Covers Soff-Cut 4200	1
2	505 73 03-01	SCREW	FHS 1/4-20 X 1 3/4 S.S.	3
3	505 79 51-01	BLOCK	Volume block, plastic	1
4	505 74 83-01	INSERT	Threaded insert S.S.	3
5	505 53 65-01	E-CLIP	E-clip, 1/4" zinc-plated	2
6	505 73 05-01	SCREW	FHS 1/4-20 X 5/8 S.S.	3
7	505 79 44-01	COVER	Blade cover w/ dust port	1
8	505 53 64-01	WASHER	Washer, Belleville, 5/16" S.S.	2
9	505 53 63-01	KNOB	Knob, rear panel/blade block	2
10	591 35 71-01	TUBE	Tube, vac port - kamloc	1
11	505 79 61-01	SCREW	Thumb screw 5/16-18 X 3/4 zinc	1
12	505 79 04-01	BRACKET	Angle/diverter/blade cover, right	1
13	505 79 05-01	BRACKET	Angle/diverter/blade cover, left	1
14	505 62 91-01	SCREW	BHS 10-32 X 3/8 S.S.	7
15	505 72 99-01	SCREW	FHS 10-32 X 1/2 S.S.	4
16	505 63 07-01	NUT	Nut, nyloc 1/4-20 .218" HT.	3
17	505 72 99-01	SCREW	FHS 10-32 X 1/2 S.S.	2
18	505 76 22-01	BRACKET	Angle bracket, blade block, outer	1
19	505 76 29-01	BRACKET	Bracket, blottom, blade cover	1
20	529 60 41-01	CHANNEL	Channel, outer	1
21	505 78 93-01	BLOCK	Block diverter mtg, outer	2
22	505 79 46-01	COVER	Cover, outer lexan, GX4200	1
23	505 63 31-01	WASHER	Split washer #10 S.S.	11
24	505 72 96-01	BOLT	SHCS 10-32 X 1/2 S.S.	4
25	505 76 17-01	WASHER	Washer, lexan cover	2
26	505 63 42-01	WASHER	Washer, 3/8" X .03THK flat S.S.	2
27	505 62 71-01	BOLT	SHSH bolt 3/8" X 5/8 BLK STL	2
28	593 21 44-01	PLUG	Plug, vac port	1
29	502 56 96-03	COUPLING	Coupling, 300-E male machined	1
30	505 79 50-01	ANGLE BRACKET	BB angle diverter, back, GX4200	1
31	505 79 48-01	COVER	Cover, inner lexan, GX4200	1
32	529 60 42-01	CHANNEL	Channel, inner	1

**SOFF CUT GX4200  
BLADE BLOCK COVER - NON VAC PORT**



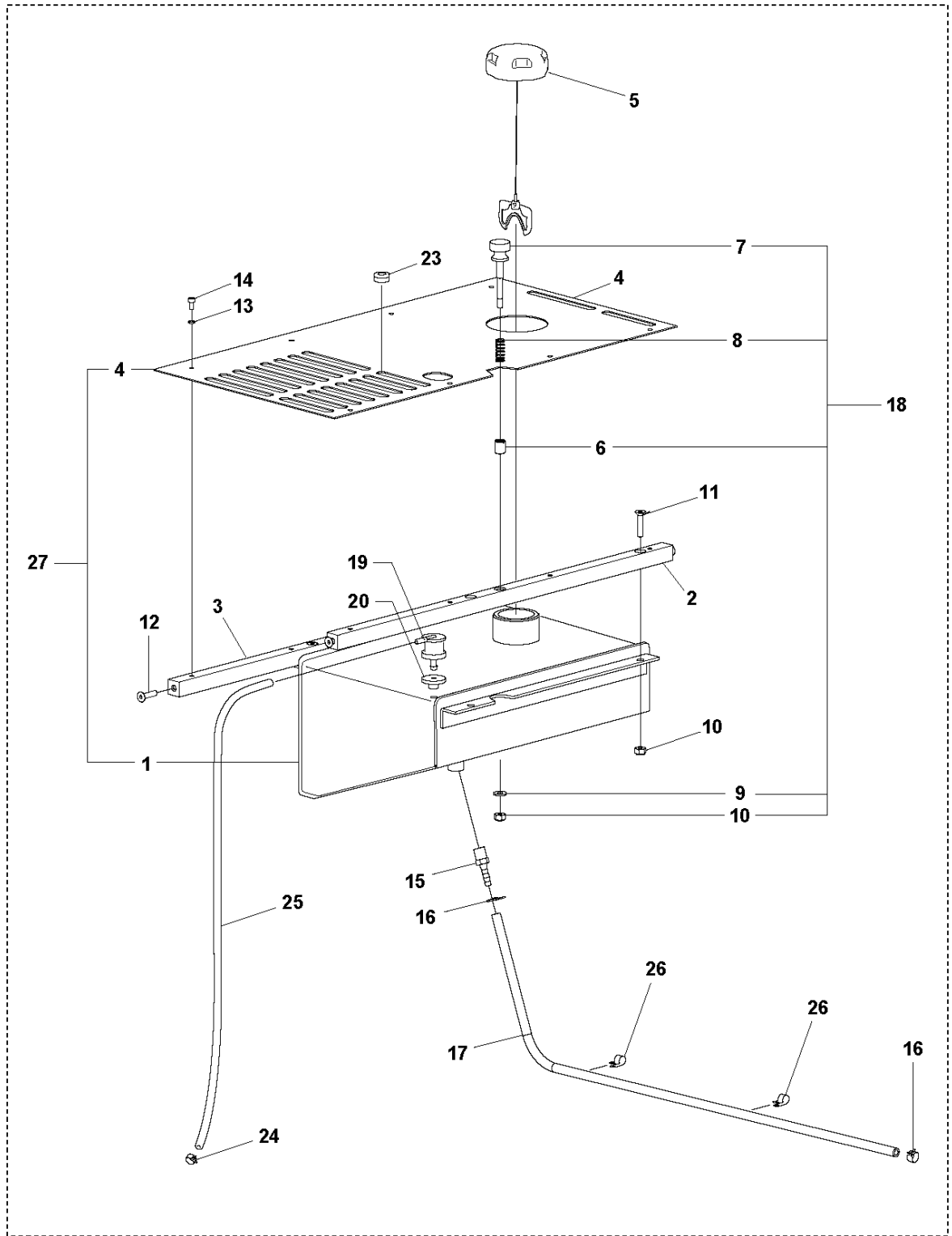
## BLADE BLOCK COVER - NON VAC PORT

SOFF CUT 4200, 2022-06

Ref	Part No	Description	Remark	QTY	KIT
1	505 78 83-01	BLADE		1	23
2	505 79 04-01	BRACKET		1	23
3	505 79 05-01	BRACKET		1	23
4	505 76 29-01	BRACKET		1	23
5	505 78 93-01	BLOCK		2	23
6	505 76 22-01	BRACKET		1	23
7	505 78 91-01	OUTTER LEXAN SHIELD		1	22, 23
8	505 76 68-01	STIFFENER		1	22, 23
9	505 63 27-01	WASHER		5	22, 23
10	505 62 93-01	SCREW		5	22, 23
11	505 82 26-01	WASHER		2	22, 23
12	505 63 31-01	WASHER		7	23
13	505 62 91-01	SCREW		7	23
14	505 53 65-01	E-CLIP		2	23, 25
15	505 53 64-01	WASHER		2	23, 25
16	505 53 63-01	KNOB		2	23, 25
17	505 62 71-01	BOLT		2	22, 23
18	505 63 42-01	WASHER		2	22, 23
19	505 76 17-01	WASHER		2	22, 23
20	505 72 99-01	SCREW		2	23
21	505 73 00-01	SCREW		4	23
22	505 88 86-01	PLATE		1	23
23	505 86 09-01	BLADE		1	
24	505 74 83-01	INSERT		1	25
25	505 48 29-01	KNOB		1	23



**P** SOFF CUT GX4200  
FUEL TANK

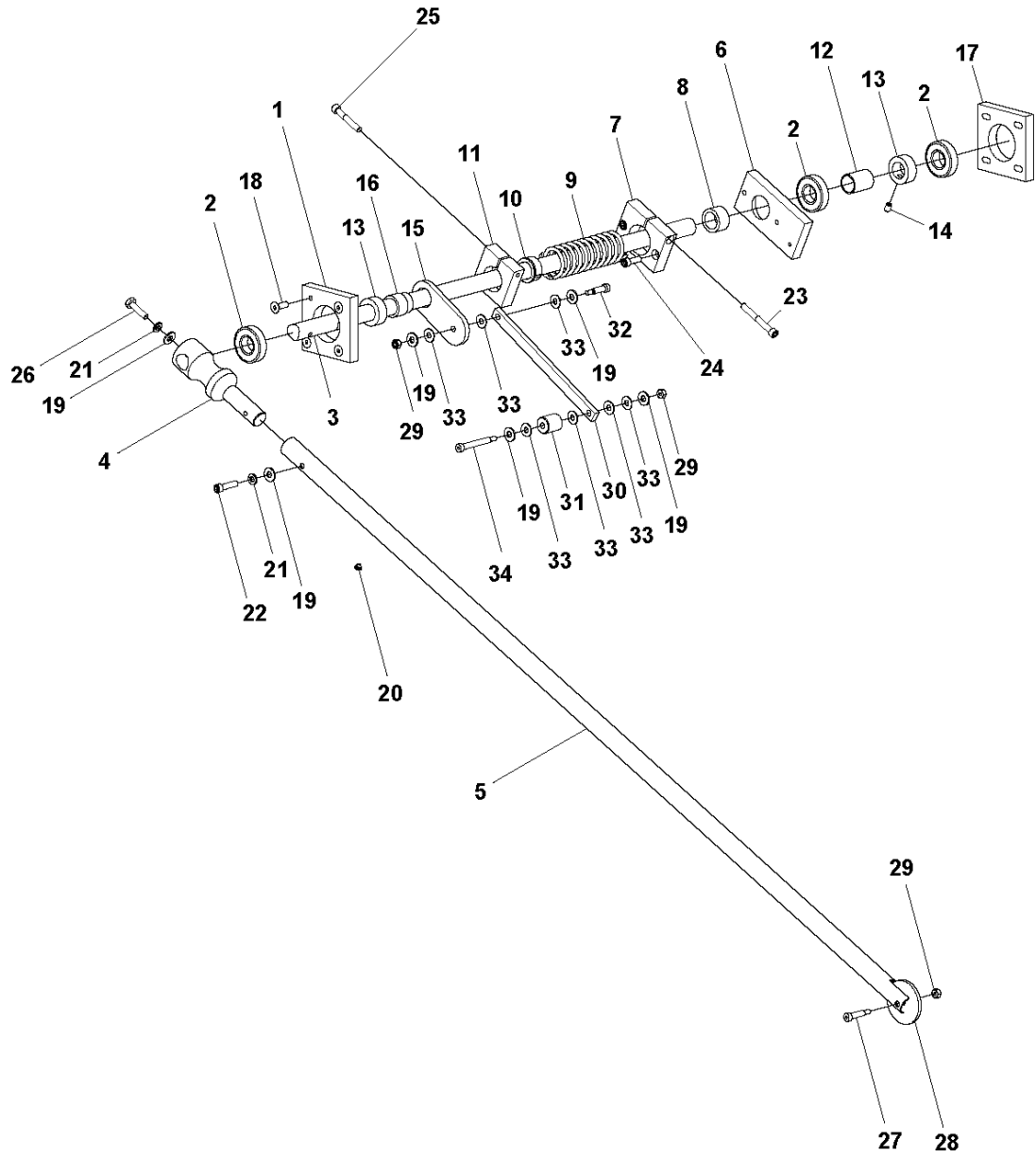


## FUEL TANK

SOFF CUT 4200, 2022-06

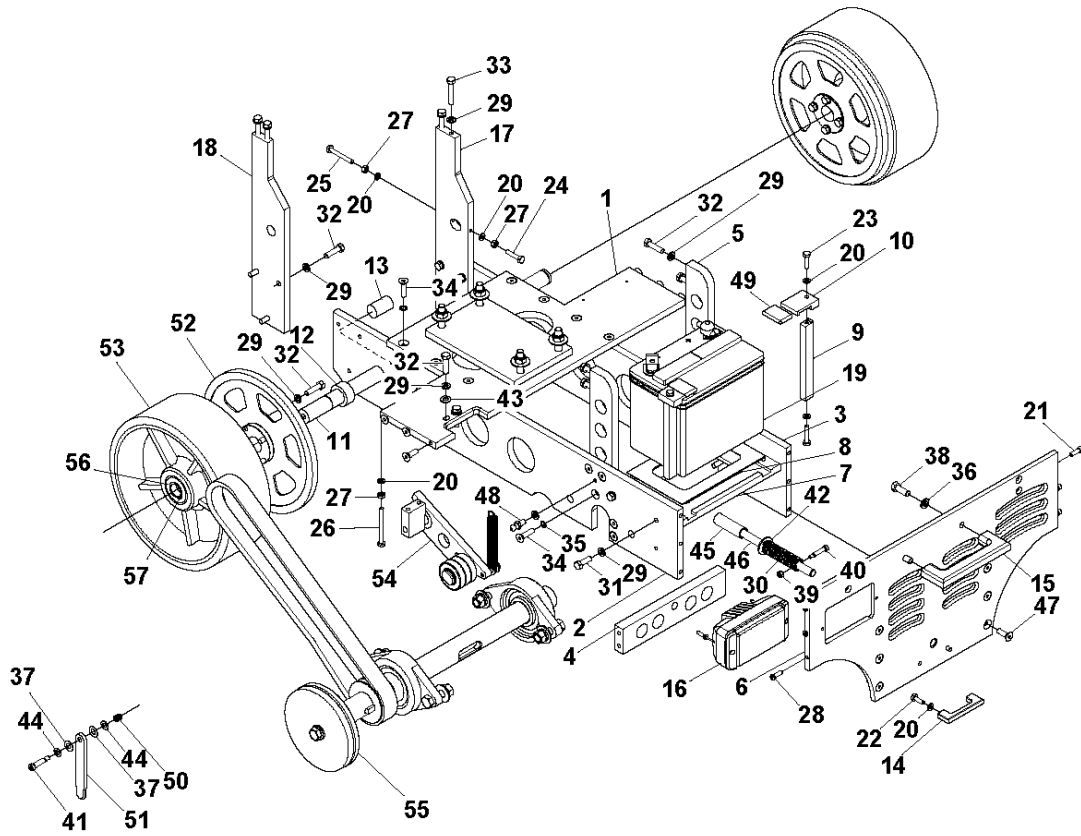
Ref	Part No	Description	Remark	QTY	KIT
1	529 50 11-01	TANK		1	21, 27
2	505 79 19-01	KNOB	Cross bar, front	1	21
3	505 79 20-01	HOOD	Cross bar, rear	1	21
4	577 60 85-02	COVER		1	21, 27
5	593 01 58-01	FUEL CAP		1	21
6	505 74 83-01	INSERT		1	18, 21
7	505 76 72-01	HOOD	Knob, hood lock	1	18, 21
8	505 73 71-01	SPRING		1	18, 21
9	505 63 20-01	WASHER		1	18, 21
10	539 97 69-78	NUT	Locknut	5	18, 21
11	505 77 34-01	SOCKET	Socket screw	4	21
12	505 62 87-01	SCREW		4	21
13	505 63 31-01	WASHER		8	21
14	505 62 77-01	BOLT		8	21
15	541 20 47-99	FITTING		1	21
16	577 81 35-01	CLAMP		2	21
17	523 05 08-01	HOSE		1	21
18	505 88 66-01	KNOB		1	21
19	576 61 81-01	TANK VENT	Valve fuel check	1	21
20	576 61 82-01	GROMMET		1	21
21	510 27 15-18	FUEL TANK ASSY	510271518	1	
23	542 04 72-73	GROMMET		1	21
24	577 81 35-02	CLAMP		2	21
25	523 05 08-13	HOSE		1	21
26	505 63 93-01	CBL CLAMP 1/2 IN.		2	21
27	534 20 56-01	FUEL TANK	Fuel tank kit	1	21

**Q** SOFF CUT GX4200  
GUIDE ARM



Ref	Part No	Description	Remark	QTY KIT
1	505 71 37-01	PLATE		1
2	505 73 61-01	BALL BEARING		3
3	505 76 39-01	SHAFT		1
4	505 76 99-01	GUIDE		1
5	505 76 38-01	GUIDE		1
6	505 71 71-01	BLOCK		1
7	505 71 72-01	BLOCK		1
8	505 71 75-01	BUSHING		1
9	505 77 49-01	GUIDE		1
10	505 71 74-01	BUSHING		1
11	505 71 73-01	BLOCK		1
12	505 71 62-01	BUSHING		1
13	505 71 84-01	SHAFT		2
14	542 02 05-41	KEY		2
15	505 71 91-01	PLATE		1
16	505 71 93-01	BUSHING		1
17	505 71 38-01	PLATE		1
18	505 62 86-01	SCREW		4
19	505 63 20-01	WASHER		6
20	505 77 57-01	BUMPER		1
21	505 63 28-01	WASHER		2
22	505 62 79-01	BOLT		1
23	505 72 89-01	BOLT		1
24	505 62 78-01	BOLT		2
25	505 72 88-01	BOLT		1
26	505 72 73-01	BOLT		1
27	505 77 17-01	BOLT		1
28	505 61 42-01	DISC		1
29	505 63 04-01	NUT		3
30	505 76 55-01	LINKAGE		1
31	505 76 70-01	SPACER		1
32	505 72 58-01	BOLT		1
33	505 63 44-01	WASHER		7
34	505 77 16-01	BOLT		1

**R** SOFF CUT GX4200  
MAIN FRAME

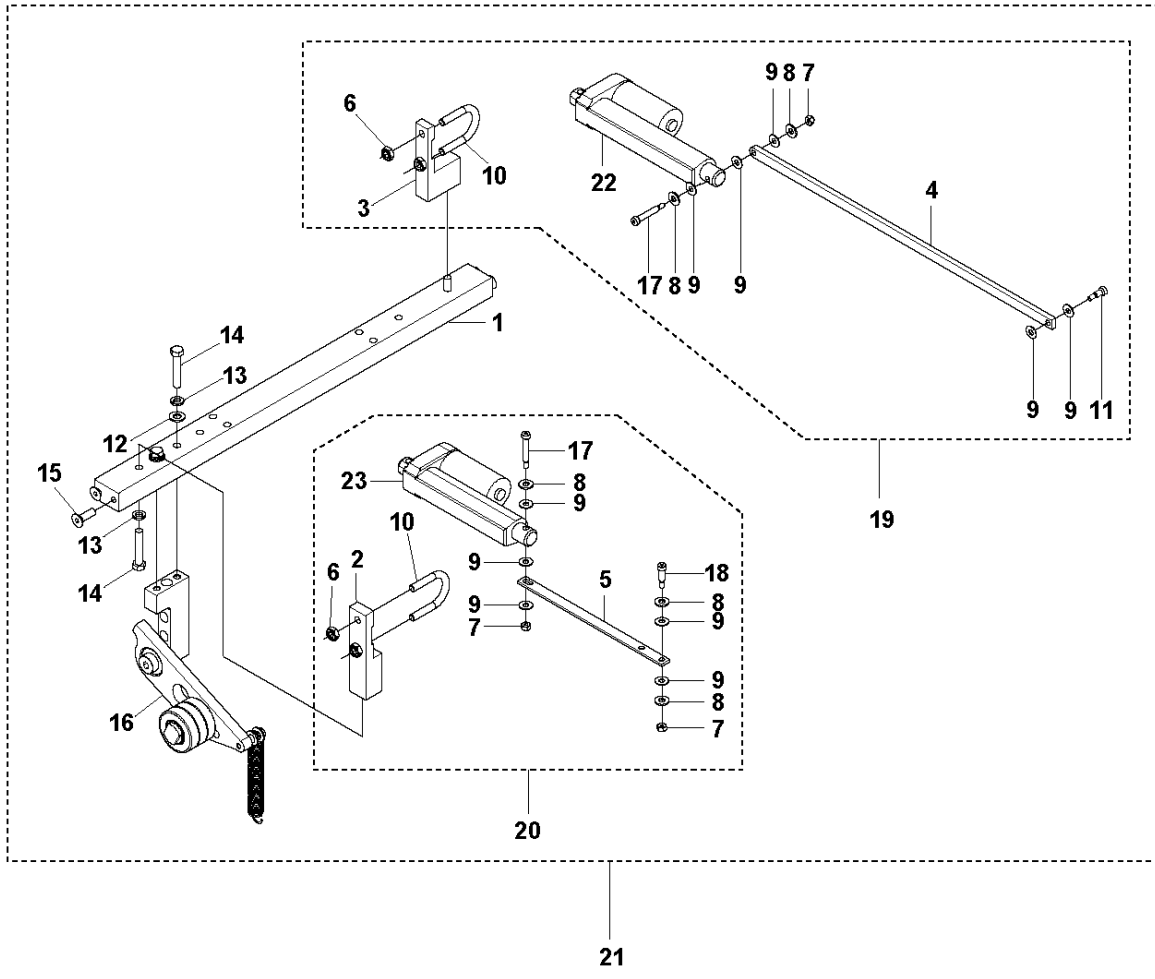


## MAINFRAME

SOFF CUT 4200, 2022-06

Ref	Part No	Description	Remark	QTY KIT
1	505 79 14-01	PLATE		1
2	505 75 56-01	FRAME		1
3	505 75 55-01	FRAME		1
4	505 75 72-01	GUIDE BAR		1
5	505 75 59-01	FRONT WHEEL SUPPORT		2
6	505 75 58-01	PLATE		1
7	505 76 42-01	PLATE		1
8	505 76 93-01	PLATE		1
9	505 76 65-01	ARM		2
10	505 71 81-01	BLOCK		2
11	505 76 50-01	REAR AXLE		1
12	505 76 52-01	SHAFT		2
13	505 76 51-01	BUSHING		1
14	505 71 42-01	SHAFT		1
15	505 71 69-01	HANDLE		1
16	505 48 50-02	HEADLAMP		1
17	505 75 53-01	ARM		1
18	505 75 54-01	ARM		1
19	522 95 02-01	BATTERY	Battery, wet, 12V, U-1	1
20	505 63 28-01	WASHER		10
21	505 62 78-01	BOLT		3
22	505 62 75-01	BOLT		2
23	505 72 73-01	BOLT		2
24	505 72 83-01	BOLT		3
25	505 72 81-01	BOLT		1
26	505 72 80-01	BOLT		2
27	505 63 19-01	NUT		4
28	505 66 72-01	SCREW		3
29	505 63 30-01	WASHER		29
30	505 73 72-01	SPRING		1
31	539 99 02-09	SCREW		4
32	505 72 84-01	BOLT		20
33	505 72 85-01	BOLT		4
34	505 77 33-01	SCREW		18
35	505 68 63-01	WASHER		18
36	505 73 10-01	WASHER		2
37	505 63 45-01	WASHER		2
38	505 83 31-01	BOLT		2
39	505 63 04-01	NUT		1
40	505 72 59-01	BOLT		1
41	505 72 67-01	BOLT		1
42	505 73 14-01	WASHER		3
43	539 99 01-88	WASHER		2
44	505 72 52-01	WASHER		2
45	505 76 44-01	ARBOR LOCK 3/4 X 2.35		1
46	505 76 43-01	ARBOR SHAFT		1
47	505 73 01-01	SCREW		12
48	505 73 82-01	BALL JOINT		1
49	505 74 70-01	COVER		2
50	505 63 60-01	SPRING		1
51	505 71 85-01	GUIDE		1
52	505 77 69-01	16160 SPUR GEAR	Spur gear	2
53	505 87 10-01	WHEEL ASSY		2
54	510 27 17-02	BLADE		1
55	510 27 22-02	BLADE SHAFT		1
56	505 73 63-01	BALL BEARING		4
57	542 20 62-05	SNAP RING		2

**S** SOFF CUT GX4200  
PUMP CROSS BAR



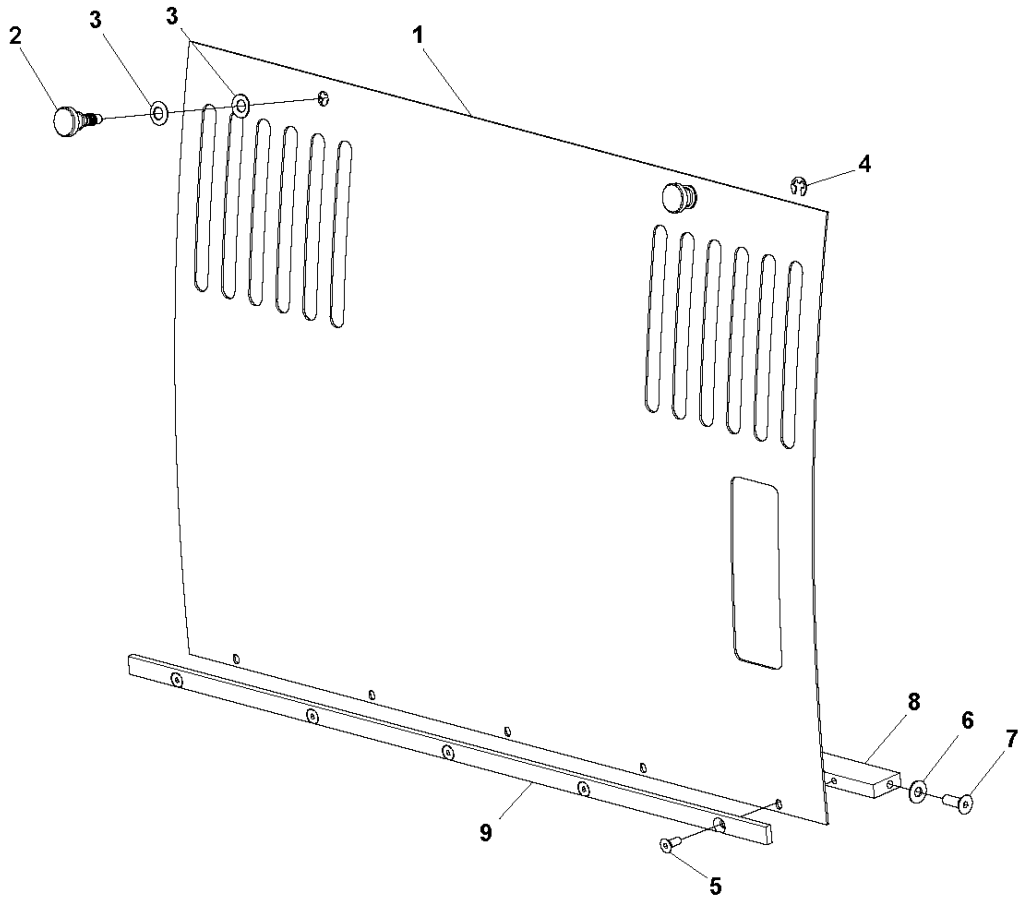
## PUMP CROSS BAR ASSEMBLY

SOFF CUT 4200, 2022-06

Ref	Part No	Description	Remark	QTY	KIT
1	505 79 21-01	CROSSBAR		1	21
2	505 61 10-01	BRACKET		1	20, 21
3	505 79 24-01	BRACKET		1	19, 21
4	505 61 11-01	ARM		1	19, 21
5	505 79 22-01	LINKAGE	Actuator/throttle	1	20, 21
6	505 63 17-01	NUT		4	19, 20, 21
7	505 63 04-01	NUT		3	19, 20, 21
8	505 63 20-01	WASHER		5	19, 20, 21
9	505 63 44-01	WASHER		10	19, 20, 21
10	575 42 13-01	CLAMP		2	19, 20, 21
11	505 68 64-01	BOLT		1	19, 21
12	539 99 01-88	WASHER		2	21
13	505 63 30-01	WASHER		4	21
14	505 72 85-01	BOLT		4	21
15	505 62 86-01	SCREW	FHS 1/4-20 X 3/4 S.S.	4	21
16	510 27 18-02	BELT TENSIONER ASSY		1	21
17	505 81 17-01	BOLT		2	19, 20, 21
18	505 72 57-01	BOLT		1	20, 21
19	505 84 80-01	GUIDE		1	21
20	505 84 79-01	THROTTLE		1	21
21	510 27 28-02	ASSEMBLY		1	
22	579 21 51-01	ACTUATOR	Guide arm	1	19, 21
23	505 74 96-01	ACTUATOR	Throttle-P6252	1	20, 21



**T** SOFF CUT GX4200  
REAR ACCESS ASSEMBLY

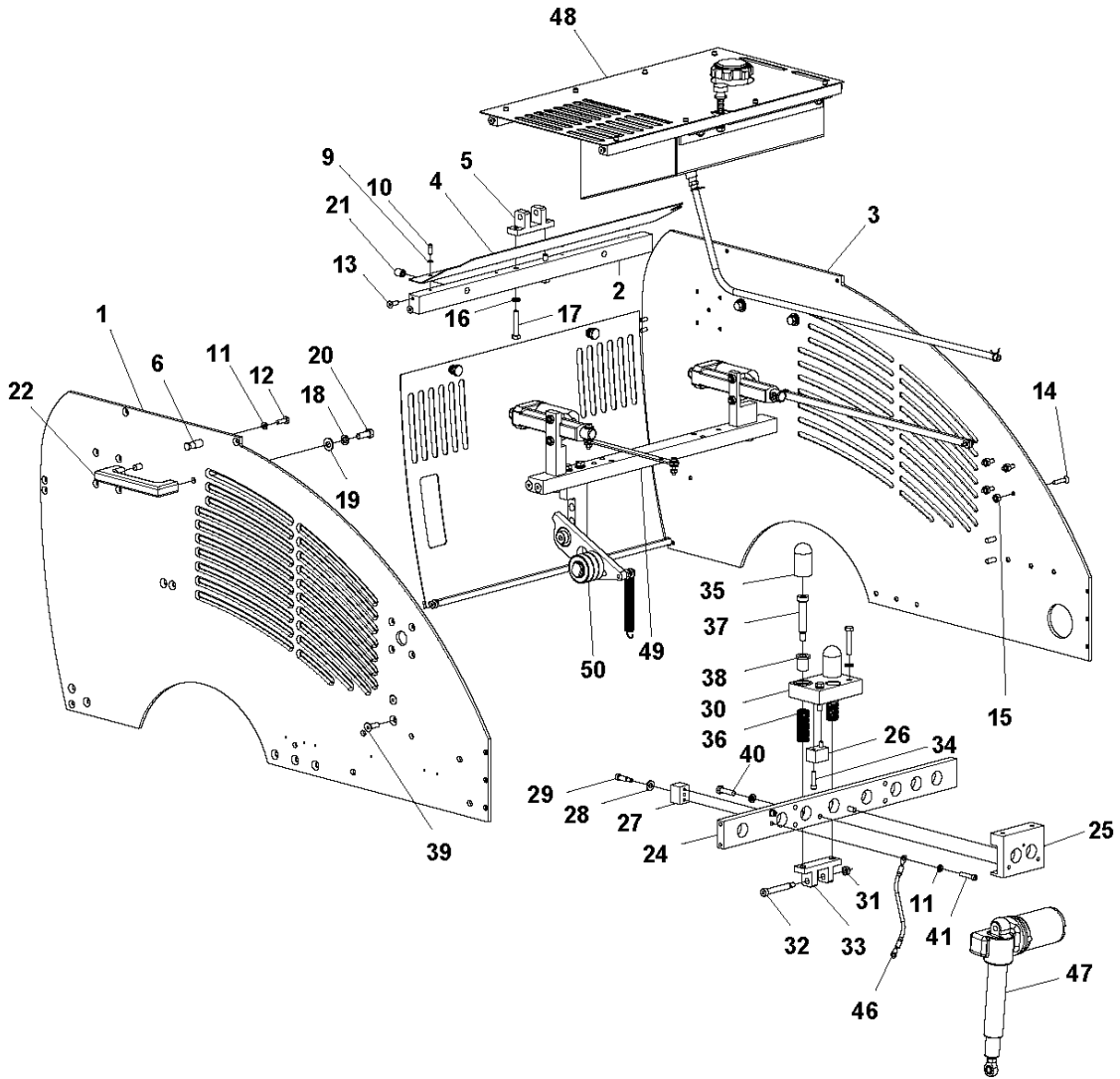


REAR ACCESS ASSEMBLY

SOFF CUT 4200, 2022-06

Ref	Part No	Description	Remark	QTY KIT
1	505 79 16-01	PANEL		1
2	505 53 63-01	KNOB		2
3	505 53 64-01	WASHER		4
4	505 53 65-01	E-CLIP		2
5	505 72 99-01	SCREW		5
6	505 63 44-01	WASHER		2
7	505 62 86-01	SCREW		2
8	505 76 61-01	CROSSBAR		1
9	505 76 71-01	BRACE		1

**U** SOFF CUT GX4200  
PANEL

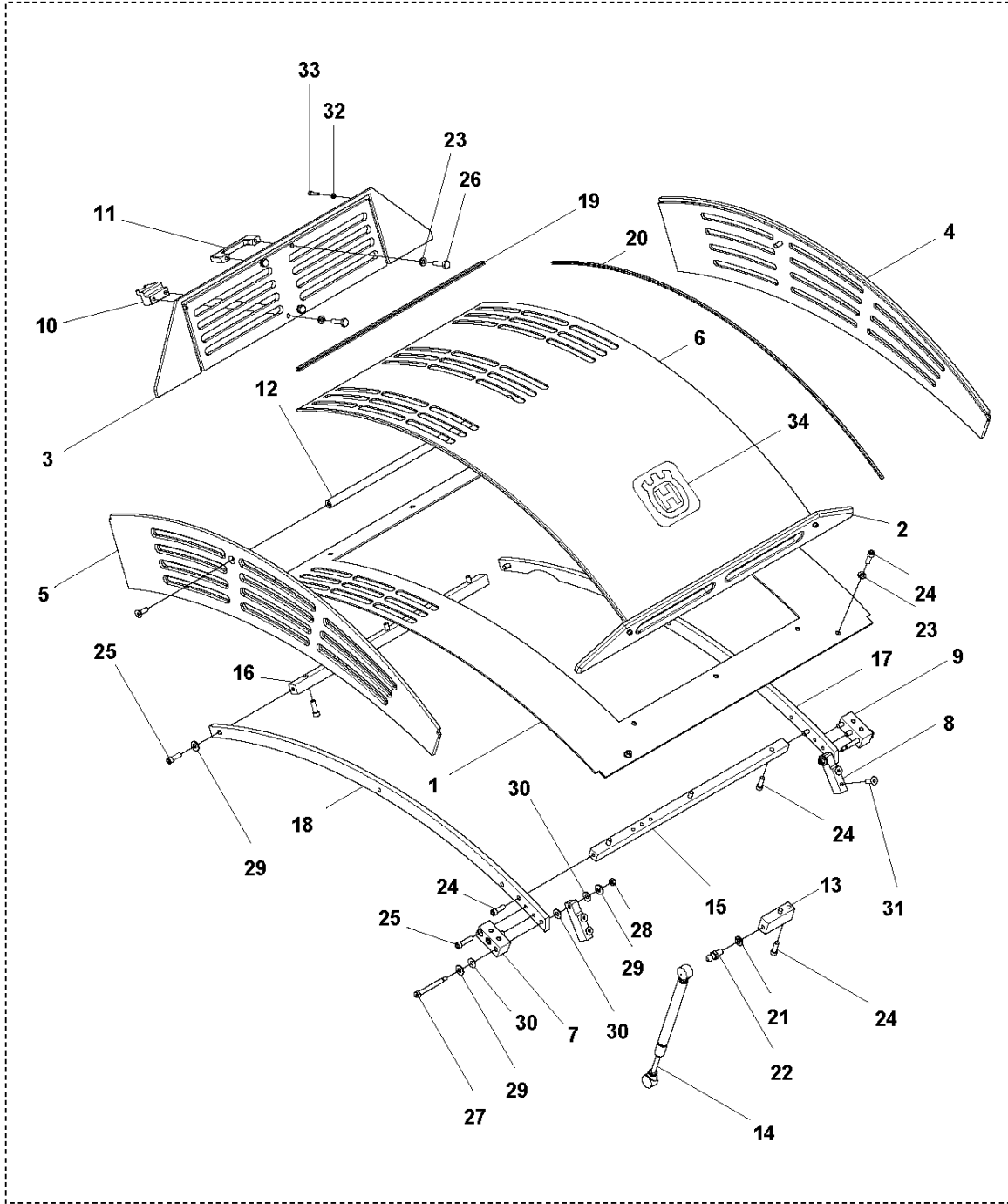


## PANEL ASSEMBLY

SOFF CUT 4200, 2022-06

Ref	Part No	Description	Remark	QTY KIT
1	505 79 26-01	PLATE		1
2	505 75 88-01	CROSSBAR		1
3	505 79 25-01	PLATE		1
4	505 75 78-01	COVER		1
5	505 75 70-01	ACTUATOR		1
6	505 71 86-01	ROD		1
9	505 63 31-01	WASHER		4
10	505 72 96-01	BOLT		4
11	505 63 28-01	WASHER		3
12	505 62 75-01	BOLT		1
13	505 62 86-01	SCREW		4
14	505 77 34-01	SOCKET		4
15	539 97 69-78	NUT		4
16	505 63 30-01	WASHER		6
17	505 72 85-01	BOLT		4
18	505 73 10-01	WASHER		4
19	510 30 10-01	WASHER		4
20	505 83 31-01	BOLT		4
21	505 74 83-01	INSERT		2
22	505 71 69-01	HANDLE		2
24	505 75 60-01	WHEEL		1
25	505 75 62-01	FRNT WHL SPRG BLK LOWER		1
26	505 75 63-01	FRNT WHL SPRG BLK STOPPER		1
27	505 68 35-01	BLOCK		1
28	539 99 01-88	WASHER		1
29	505 72 64-01	BOLT		1
30	505 75 61-01	FRNT WHL SPRG BLK UPPER		1
31	539 99 07-17	NUT		1
32	505 62 72-01	BOLT		1
33	505 75 71-01	ACT. BRACKET LOWER FRONT SHOCK		1
34	505 62 79-01	BOLT		2
35	505 77 56-01	CAP		2
36	505 69 07-01	SPRING		2
37	523 05 96-11	BOLT		2
38	505 77 55-01	BUSHING		2
39	505 73 01-01	SCREW		4
40	505 72 84-01	BOLT		2
41	505 62 80-01	BOLT		2
46	575 44 66-06	GROUND CABLE		1
47	505 84 84-01	BLADE		1
48	510 27 15-02	ASSEMBLY		1
49	510 27 28-02	ASSEMBLY		1
50	510 27 18-02	BELT TENSIONER ASSY		1

**V** SOFF CUT GX4200  
HOOD



## HOOD

SOFF CUT 4200, 2022-06

Ref	Part No	Description	Remark	QTY	KIT
1	505 76 37-01	HOOD		1	
2	505 76 35-01	PLATE		1	35
3	505 76 36-01	PLATE		1	35
4	505 71 22-01	PLATE		1	35
5	505 71 23-01	PLATE		1	35
6	505 71 34-01	PANEL		1	35
7	505 71 31-01	BLOCK		1	35
8	505 76 75-01	BRACKET		2	35
9	505 71 30-01	BLOCK		1	35
10	505 71 95-01	BLOCK		1	35
11	505 71 42-01	SHAFT		1	35
12	505 71 32-01	ROD		1	35
13	505 71 29-01	BLOCK		1	35
14	505 73 81-01	DAMPER		1	35
15	505 71 27-01	BAR		1	35
16	505 71 28-01	BAR		1	35
17	505 79 12-01	BAR		1	35
18	505 71 26-01	BAR		1	35
19	505 73 92-01	CHANNEL		2	35
20	505 73 93-01	CHANNEL		2	35
21	505 63 30-01	WASHER		1	35
22	505 73 82-01	BALL JOINT		1	35
23	505 63 28-01	WASHER		6	35
24	505 62 79-01	BOLT		18	35
25	505 62 75-01	BOLT	HHB, 1/4-20 X 3/4 S.S.	4	35
26	505 72 73-01	BOLT		4	35
27	505 77 12-01	BOLT		2	35
28	505 63 04-01	NUT		2	35
29	505 63 20-01	WASHER		6	35
30	505 63 44-01	WASHER		6	35
31	505 62 86-01	SCREW		6	35
32	505 63 27-01	WASHER		4	35
33	505 72 91-01	BOLT		4	35
34	542 19 07-35	DECAL		1	35
35	505 88 35-01	GX4000 HOOD ASSEMBLY		1	