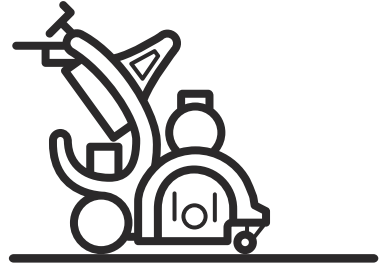




Husqvarna®



BMP 335

EN	Operator's manual	2-22
DE	Bedienungsanweisung	23-44
FR	Manuel d'utilisation	45-66
NL	Gebruiksaanwijzing	67-88

Contents

Introduction.....	2	Troubleshooting.....	18
Safety.....	4	Transportation, storage and disposal.....	18
Operation.....	8	Technical data BMP 335.....	20
Maintenance.....	14	Declaration of Conformity.....	22

Introduction

Product description

The product is a pedestrian-controlled scarifier operated by an electric motor.

used on surfaces such as concrete, asphalt, stone and steel.

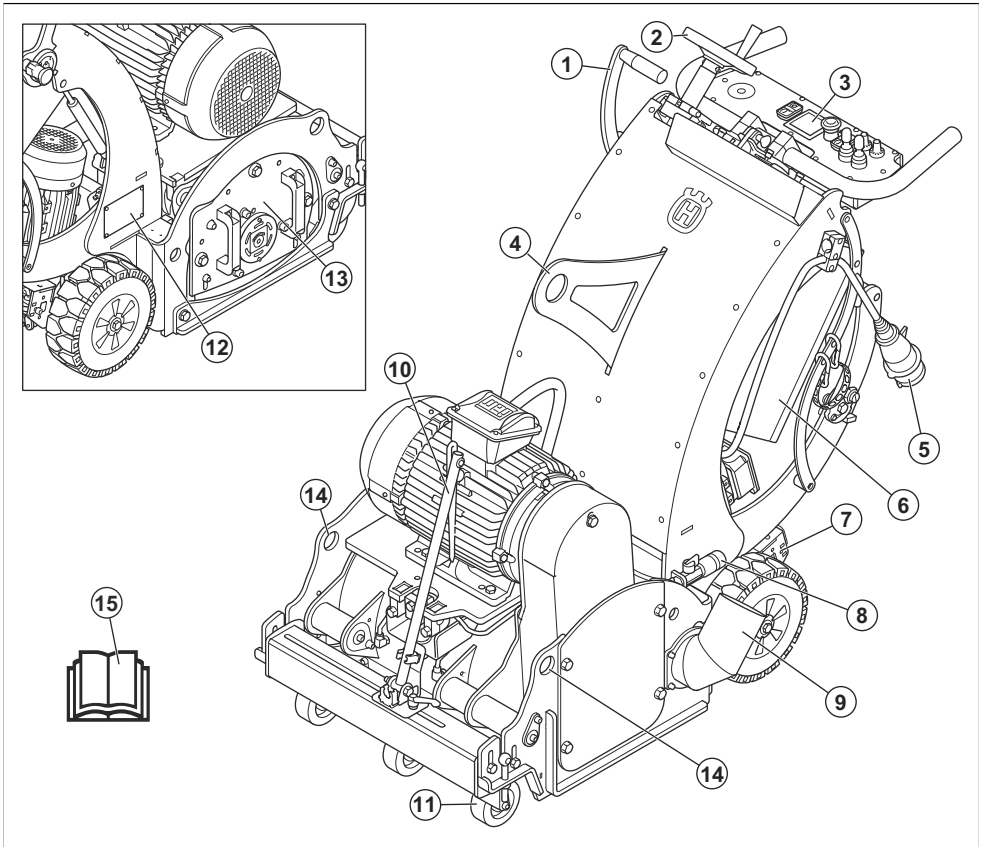
The product is used in commercial operations by professional operators.

Intended use

The product is used to make the surfaces rough, and to remove layers and road marks. The product can be

Do not use the product for other tasks.

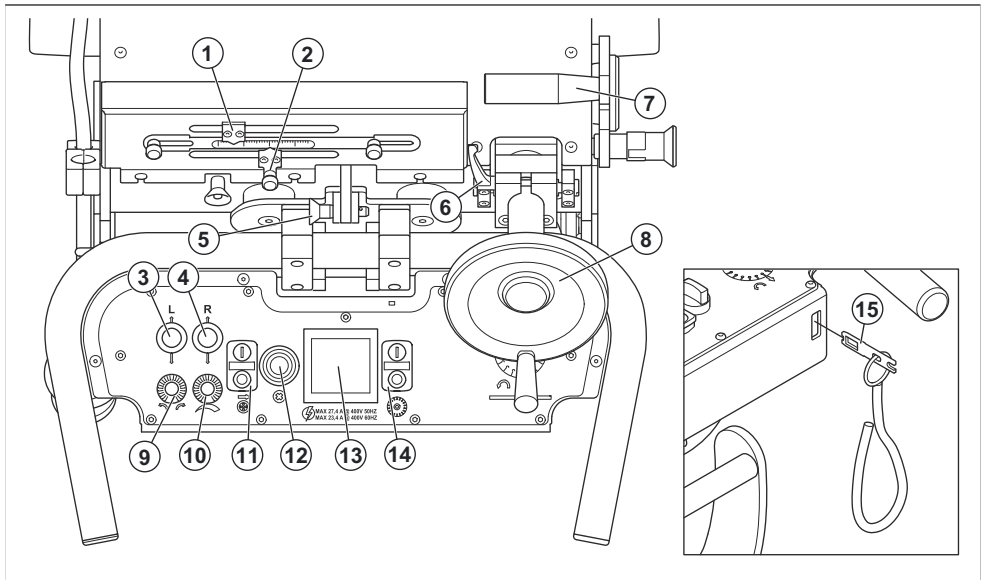
Product overview



1. Lift lever
2. Depth adjustment wheel
3. Control panel
4. Lifting eye
5. Power plug
6. Electrical enclosure with main switch
7. Drive system pedal
8. Water connection
9. Connector for dust extractor
10. Direction pointer
11. Front wheel
12. Type plate
13. Side cover
14. Hole for tie-down strap
15. Operator's manual

Note: If water is necessary for your operation, speak to a Husqvarna service agent for more information.

Control panel overview



1. Indicator for depth adjustment
2. Manual depth indicator
3. Joystick for forward and rearward movement of the left drive wheel
4. Joystick for forward and rearward movement of the right drive wheel
5. Steering lock
6. Lock for depth adjustment wheel
7. Lift lever
8. Depth adjustment wheel
9. Tracking control
10. Speed adjustment
11. ON/OFF buttons for drive motor
12. Emergency stop button
13. Ammeter
14. ON/OFF buttons for drum motor

15. Operator presence control (OPC)

Symbols on the product



Warning: This product can be dangerous and cause serious injury or death to the operator or others. Be careful and use the product correctly.



High voltage.



Keep all parts of your body away from hot surfaces.



Lifting point.



Keep hands away from rotating parts.



Read the manual carefully and make sure that you understand the instructions before you use the product.



Use an approved respiratory protection.



Use approved hearing protection.



Use approved eye protection.



Use approved protective gloves.



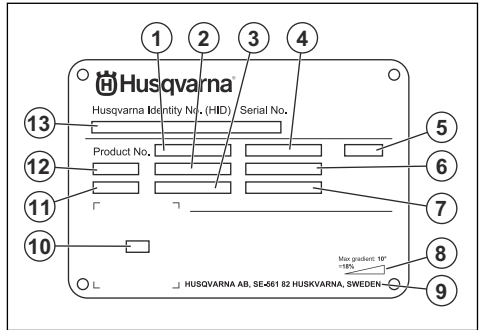
Use approved protective boots.



This product is in compliance with applicable EU directives.

Note: Other symbols/decals on the product refer to special certification requirements for some markets.

Type plate



1. Product number
2. Product weight
3. Rated power
4. Rated voltage
5. Enclosure
6. Rated current
7. Frequency
8. Maximum slope angle
9. Manufacturer
10. Scannable code
11. Production year
12. Model
13. Serial number

Product liability

As referred to in the product liability laws, we are not liable for damages that our product causes if:

- the product is incorrectly repaired.
- the product is repaired with parts that are not from the manufacturer or not approved by the manufacturer.
- the product has an accessory that is not from the manufacturer or not approved by the manufacturer.
- the product is not repaired at an approved service center or by an approved authority.

Safety

Safety definitions

Warnings, cautions and notes are used to point out specially important parts of the manual.



WARNING: Used if there is a risk of injury or death for the operator or bystanders if the instructions in the manual are not obeyed.



CAUTION: Used if there is a risk of damage to the product, other materials or the adjacent area if the instructions in the manual are not obeyed.

Note: Used to give more information that is necessary in a given situation.

General safety instructions



WARNING: Read the warning instructions that follow before you use the product.

- This product is a dangerous tool if you are not careful or if you use the product incorrectly. This product can cause serious injury or death to the operator or others. Before you use the product, you must read and understand the contents of this operator's manual.
 - Save all warnings and instructions.
 - Comply with all applicable laws and regulations.
 - The operator and the employer of the operator must know and prevent the risks during operation of the product.
 - Do not let a person operate the product unless they read and understand the contents of the operator's manual.
 - Do not operate the product unless you receive training before use. Make sure that all operators receive training.
 - Do not let a child operate the product.
 - Only let approved persons operate the product.
 - The operator is responsible for accidents that occur to other persons or their property.
 - Do not use the product if you are tired, ill, or under the influence of alcohol, drugs or medicine.
 - Always be careful and use your common sense.
 - This product produces an electromagnetic field during operation. This field can under some circumstances interfere with active or passive medical implants. To decrease the risk of serious injury or death, we recommend persons with medical implants to speak to their physician and the medical implant manufacturer before operating this product.
 - Keep the product clean. Make sure that you can clearly read signs and decals.
 - Do not use the product if it is defective.
 - Do not do modifications to this product.
 - Do not operate the product if it is possible that other persons have done modifications to the product.
- In skin color or condition. These symptoms usually show in the fingers, hands or wrists.
 - Do not operate the product without all protective covers installed.
 - Make sure that you know how to stop the motor quickly in an emergency.
 - Before you go away from the product, stop the motor and disconnect the power cord. Make sure that there is no risk of accidental start.
 - Make sure that clothing, long hair and jewelry do not get caught in moving parts
 - Make sure that you are in a safe and stable position during operation.
 - Only operate the product on horizontal surfaces.
 - Do not operate the product unless you can get aid if an accident occurs
 - Always use approved accessories. Speak to your Husqvarna dealer for more information.
 - If vibrations occur in the product or the noise level from the product is unusually high, stop the product immediately. Examine the product for damages. Repair damages or let an approved service agent do the repair.
 - Connect the product to a dust extractor for removal of the dust.
 - Do not pull the hose of the dust extractor. The product can fall and cause injury or damage.
 - Keep the dust extractor on until the motor stops fully.
 - Only operate the product from behind with your hands on the handlebar.
 - Make sure that there is no grease or oil on the handles.

Safety instructions for operation



WARNING: Read the warning instructions that follow before you use the product.

- Use personal protective equipment. Refer to *Personal protective equipment on page 6*.
 - Overexposure to vibration can cause circulatory damage or nerve damage to persons with decreased blood circulation. Get medical aid if you have symptoms of overexposure to vibration. These symptoms include numbness, loss of feeling, tingling, pricking, pain, loss of strength, changes
- During operation of the product, vibrations go from the product to the operator. Regular and frequent operation of the product can cause or increase the degree of injuries to the operator. Injuries can occur in fingers, hands, wrists, arms, shoulders, and/or nerves and blood supply or other body parts. The injuries can be debilitating and/or permanent, and can increase gradually during weeks, months or years. Possible injuries include damage to the blood circulation system, the nervous system, joints, and other body structures.
 - Symptoms can occur during operation of the product or at other times. If you have symptoms and continue to operate the product, the symptoms can increase or become permanent. If these or other symptoms occur, get medical aid:
 - Numbness, loss of feeling, tingling, pricking, pain, burning, throbbing, stiffness, clumsiness,

Vibration safety



WARNING: Read the warning instructions that follow before you use the product.

loss of strength, changes in skin color or condition.

- Symptoms can increase in cold temperatures. Use warm clothing and keep your hands warm and dry when you operate the product in cold environments.
- Do maintenance on and operate the product as given in the operator's manual, to keep a correct vibration level.
- The product has a vibration damping system that decreases the vibrations from the handles to the operator. Let the product do the work. Do not push the product with force. Hold the product at the handles lightly, but make sure that you control the product and operate it safely. Do not push the handles into the end stops more than necessary.
- Keep your hands on the handle or handles only. Keep all other body parts away from the product.
- Stop the product immediately if strong vibrations suddenly occurs. Do not continue the operation before the cause of the increased vibrations is removed.

Dust safety



WARNING: Read the warning instructions that follow before you use the product.

- Operation of the product can cause dust in the air. Dust can cause serious injury and permanent health problems. Silica dust is regulated as harmful by several authorities. These are examples of such health problems:
 - The fatal lung diseases chronic bronchitis, silicosis and pulmonary fibrosis
 - Cancer
 - Birth defects
 - Skin inflammation
- Use correct equipment to decrease the quantity of dust and fumes in the air and to decrease dust on work equipment, surfaces, clothing and body parts. Examples of controls are dust collection systems and water sprays to bind dust. Decrease dust at the source where possible. Make sure that the equipment is correctly installed and used and that regular maintenance is done.
- Use approved respiratory protection. Make sure that the respiratory protection is applicable for the dangerous materials in the work area.
- Make sure that the airflow is sufficient in the work area.

Noise safety



WARNING: Read the warning instructions that follow before you use the product.

- High noise levels and long-term exposure to noise can cause noise-induced hearing loss.
- To keep the noise level to a minimum, do maintenance on and operate the product as given in the operator's manual.
- Use approved hearing protection while you operate the product.
- Listen for warning signals and voices when you use hearing protection. Remove the hearing protection when the product is stopped, unless hearing protection is necessary for the noise level in the work area.

Personal protective equipment



WARNING: Read the warning instructions that follow before you use the product.

- Always use approved personal protective equipment when you operate the product. Personal protective equipment cannot fully prevent injury but it decreases the degree of injury if an accident does occur. Let your dealer help you select the correct personal protective equipment.
- Regularly do a check of the condition of the personal protective equipment.
 - Use an approved protective helmet.
 - Use approved hearing protection.
 - Use approved respiratory protection.
 - Use approved eye protection with side protection.
 - Use protective gloves.
 - Use boots with steel toe-cap and non-slip sole.
 - Use approved work clothing or equivalent close-fitting clothing that has long sleeves and long legs.

Fire extinguisher

- Keep a fire extinguisher near during operation.
- Use a powder fire extinguisher or a carbon dioxide fire extinguisher.

Work area safety



WARNING: Read the warning instructions that follow before you use the product.

- Do not use the product in fog, rain, strong winds, cold weather, risk of lightning or other bad weather conditions.
- Do not use the product in areas where fire or explosions can occur.
- Keep children, bystanders and animals away from the work area and at a safe distance from the product.
- Make sure that only approved persons are in the work area.

- Keep the work area clean and sufficiently illuminated.
- Remove objects such as screws, bolts, wires and stones from the work area before you use the product.
- Make sure that there are no cables or hoses in the operation direction of the product.
- Make sure that there is sufficient airflow in the work area.

Electrical safety



WARNING: There is always a risk of shocks from electrical products. Do not use the product in bad weather conditions. Do not touch lightning conductors and metal objects. Always use the product as given in this operator's manual to prevent injury.



WARNING: Always use a power supply with RCD (residual-current device). An RCD decreases the risk of electrical shock.



WARNING: High voltage. There are unprotected parts in the power unit. Always disconnect the power plug before you open the door to the electrical box.



CAUTION: The power supply from the product or generator must be sufficient and constant to make sure that the motor operates without problems. Incorrect voltage causes the power consumption and the temperature of the motor to increase until the safety circuit releases. The dimension of the power cord must agree with national and local regulations. The dimension of the mains socket must agree with the amperage for the electrical socket and extension cable of the product.

If the power mains has higher system resistance, short voltage drop can occur when the product is started. This can influence the operation of other products, for example flicker on the lights.

- Make sure that the power, fuse and mains voltage are the same as the voltage shown on the rating plate of the product.
- Always stop the product before you disconnect the power plug.
- Do not use the product if the power cord or power plug is damaged. Hand it in to an approved service center for repair. A damaged power cord can cause serious injury and death.
- Use the power cord correctly. Do not use the power cord to move, pull or disconnect the product. Pull the

power plug to disconnect the power cord. Do not pull the power cord.

- Do not operate the product in water depths where the equipment of the product gets wet. The equipment can become damaged and the product can become live and cause injury.
- Do not get more moisture into the product than the water supplied by the water system. Keep the product away from rain. Water that goes into the product increases the risk of electrical shock.
- Always disconnect the power cord before you connect or disconnect the connection for the motor cable and the electrical enclosure.

Grounded product instructions



WARNING: Incorrect connection can result in electrical shock. Speak to an approved electrician if you are not sure if your mains outlet is correctly grounded.

Do not do modifications to the power plug from its factory specification. If the power plug or power cord is damaged or must be replaced, speak to your Husqvarna service agent. Obey local regulations and laws.

If you do not fully understand the instructions about the grounded product, speak to an approved electrician.

Use only grounded outdoor extension cables with grounding plugs and grounding outlet that accepts the product power plug.

The product has a grounded power cord and power plug. Always connect the product to a grounded mains outlet. This decreases the risk of electrical shock if there is a malfunction.

Do not use electrical adapters with the product.

Extension cables

- Use only approved extension cables with sufficient length.
- The rated value on the extension cable must be the same or higher than given on the rating plate of the product.
- Use grounded extension cables.
- When you operate the product outdoors, use an extension cable that is applicable for outdoor operation. This decreases the risk of electrical shock.
- Keep the connection to the extension cable dry and off the ground.
- Keep the extension cable away from heat, oil, sharp edges or moving parts. A damaged cable increases the risk of electrical shock.
- Make sure that the extension cable is in good condition and not damaged.

- Do not use the extension cable while it is wound up. This can cause the extension cable to become too hot.
- Make sure that the extension cable is behind you and the product when you use the product. This prevents damage to the extension cable.

Safety devices on the product



WARNING: Read the warning instructions that follow before you use the product.

- Do not use a product with defective safety devices.
- Do a check of the safety devices regularly. If the safety devices are defective, speak to your Husqvarna service agent.

Emergency stop button

The emergency stop button is used to quickly stop the motor.

To do a check of the emergency stop button

Refer to *Control panel overview on page 3* for information about where the emergency stop button is on your product.

1. Turn the emergency stop button clockwise to make sure that the emergency stop button is disengaged.
2. Start the product. Refer to *To start the product on page 11*.
3. Push the emergency stop button.
4. Make sure that the motor stops.
5. Turn the emergency stop button clockwise to disengage.

Operator Presence Control (OPC)

When the OPC is engaged, the motor stops. Refer to *To do a check of the Operator Presence Control (OPC) on page 8*.

To do a check of the Operator Presence Control (OPC)

1. Start the product. Refer to *To start the product on page 11*.
2. Pull out the OPC key. If the motor does not stop in 3 seconds, speak to an approved Husqvarna service agent.

Safety instructions for maintenance



WARNING: Read the warning instructions that follow before you use the product.

- Use personal protective equipment. Refer to *Personal protective equipment on page 6*.
- Only do the maintenance as given in this operator's manual. Let an approved service agent do all other servicing.
- If the maintenance is not done correctly and regularly, the risk of injury and damage to the product increases.
- Clean the product to remove dangerous material before you do the maintenance.
- Before you do the maintenance, stop the motor, pull out the operator presence control and disconnect the power plug.
- Do the maintenance of the product on stable level ground.
- Do not do modifications to the product. Modifications that are not approved by the manufacturer can cause serious injury or death.
- Replace damaged, worn or broken parts.
- Always use original accessories and spare parts. Accessories and spare parts that are not approved by the manufacturer, can cause serious injury or death.
- After maintenance, do a check of the vibration level in the product. If it is not correct, speak to an approved service agent.
- Let an approved service agent do servicing on the product regularly.

Operation

Introduction



WARNING: Before you operate the product, you must read and understand the safety chapter.

To do before you operate the product

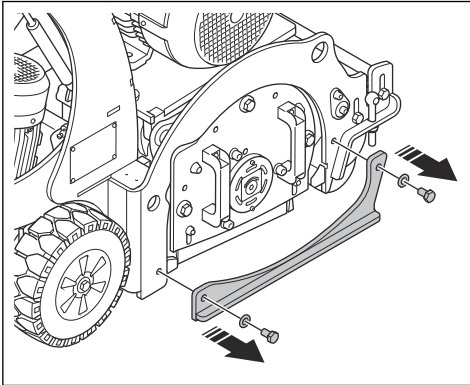
1. Read the operator's manual carefully and make sure that you understand the instructions.
2. Read the operator's manual for the dust extractor carefully and make sure that you understand the instructions.

3. Use personal protective equipment. Refer to *Personal protective equipment on page 6*.
4. Make sure that only approved persons are in the work area.
5. Do daily maintenance. Refer to *Maintenance schedule on page 14*.
6. Make sure that the product is assembled correctly and is not damaged.
7. Put the product on the work area. Make sure that the surface is level. Make sure that the transportation of the product to and in the work area is done safely and correctly. Refer to *Transportation on page 18*.

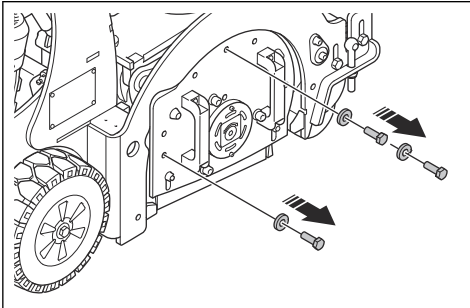
8. Make sure that the height of the front wheels is set correctly for the operation. Refer to *To adjust the height of the front wheels on page 10*.
9. Make sure that the tools do not hit the ground.
 - a) Set the lift lever in the up position.
 - b) Turn the depth adjustment wheel clockwise.
10. Connect a dust extractor to the product. Refer to *To connect a dust extractor on page 11*.
11. Connect the product to a power source. Refer to *To connect the product to a power source on page 11*.
12. Make sure that the height of the brushes below the drum housing is correct for the operation depth. If it is necessary, loosen the nuts, adjust the height and tighten the nuts.

To install the scarifying drum

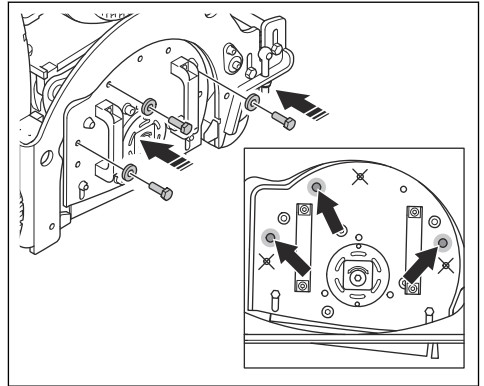
1. Remove the support plate.



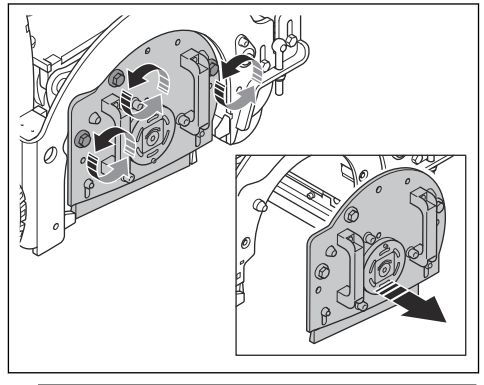
2. Remove the screws and washers from the side cover.



3. Install the screws with washers in the adjacent holes.

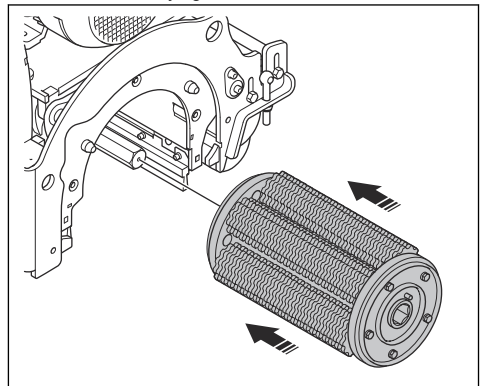


4. Turn the screws to push the side cover off.

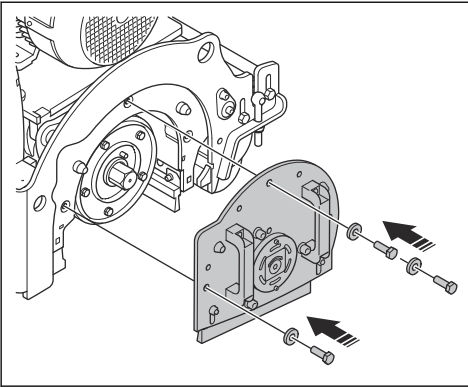


Note: When the side cover is removed, the axle hangs loose.

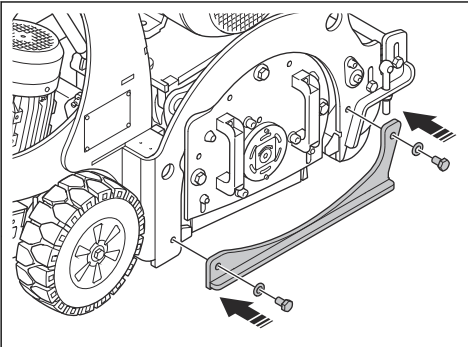
5. Install the scarifying drum on the axle.



6. Install the side cover.



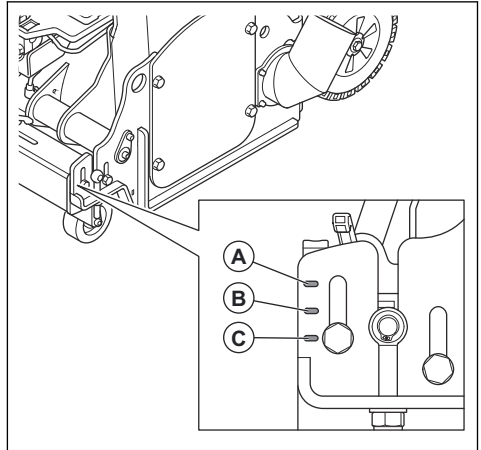
7. Install the support plate.



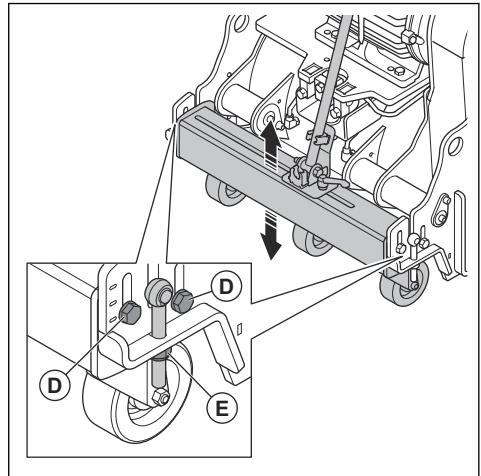
8. Do a check of the drive belt tension. Refer to *To do a check of the drive belt tension on page 17.*

To adjust the height of the front wheels

The standard position is (B). Position (A) is used for operation at maximum depth. Position (C) is used for operation at minimum depth.

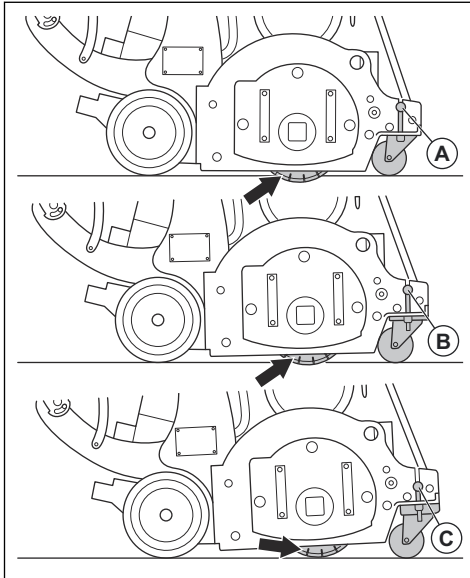


1. Loosen the bolts (D) on each side of the front wheel bar.



2. Turn the nut (E) to set the applicable height.

3. Tighten the bolts (D) on each side of the front wheel bar.



To connect a dust extractor

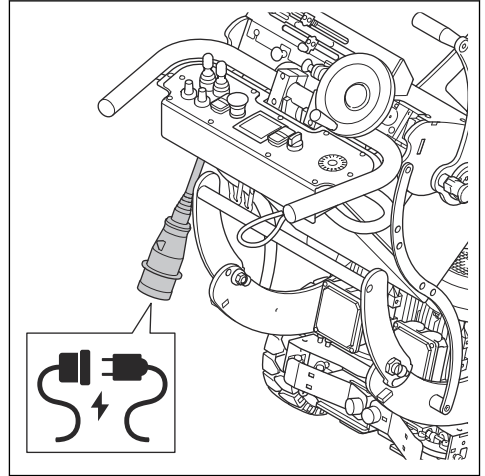


WARNING: Do not use the dust extractor if the dust extractor hose is damaged. The risk increases that you breathe in dust that is dangerous to your health. Use approved respiratory protection.

1. Examine the dust extractor hose for damages.
2. Make sure that the filters in the dust extractor are clean and not damaged.
3. Connect the dust extractor hose to the connection for dust extractor. Refer to *Product overview on page 2* for information about where the connection for dust extractor is on your product.

To connect the product to a power source

1. Connect the power plug of the product to an applicable extension cable.



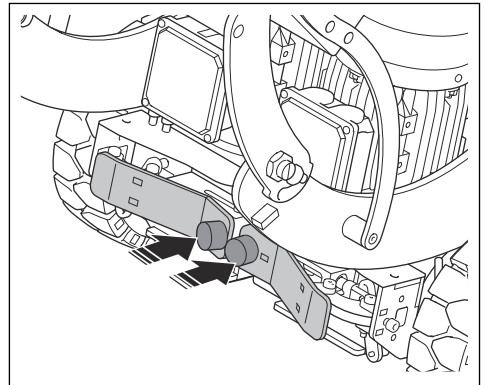
2. Connect the extension cable to a mains outlet.



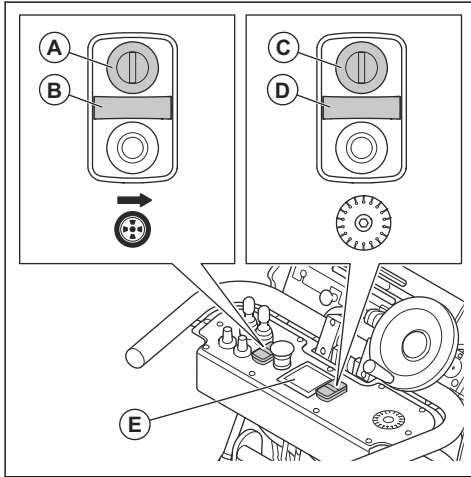
CAUTION: When the product is connected to a dust extractor, the dust extractor must be connected to a 3-phase power source.

To start the product

1. Start the dust extractor.
2. Put the cord of the operator presence control around your right wrist.
3. Push the drive system pedals to engage the drive system.



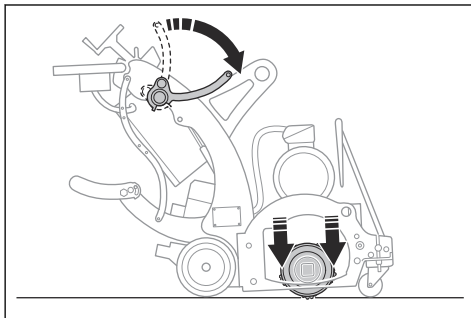
4. Turn the emergency stop button on the control panel clockwise to make sure that the emergency stop button is disengaged.
5. Set the main switch on the electrical enclosure in the ON position.
6. Set the joysticks in neutral position.
7. Push the ON button for the drive motor (A). The light (B) comes on when the drive motor has power.



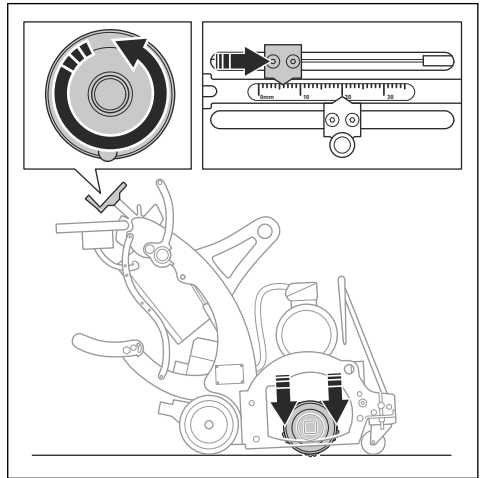
8. Push the ON button for the drum motor (C). The light (D) comes on when the drum motor has power.

Note: The drum motor cannot start if the drive system is not on.

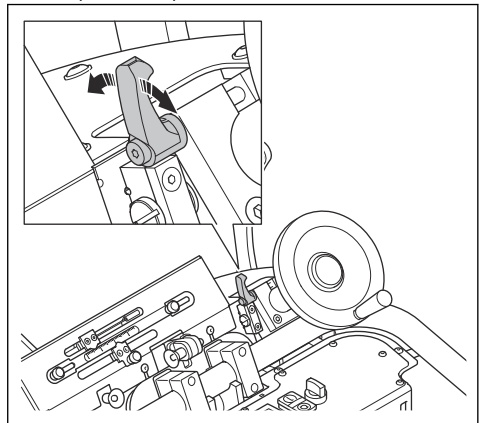
9. Wait 10–15 seconds until the color of the display (E) changes from red to white.
10. Slowly lower the lift lever to lower the tool drum to the floor.



11. Turn the depth adjustment wheel counterclockwise until the depth is correct for the operation.

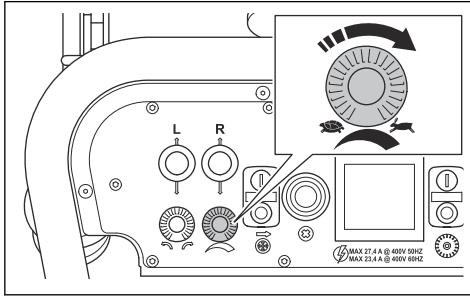


12. Turn the lock for the depth adjustment wheel to lock the operation depth.



- a) Turn the lock to unlock the depth adjustment wheel again for more adjustments of the operation depth.

- 13. Turn the speed adjustment knob to set the drive speed.

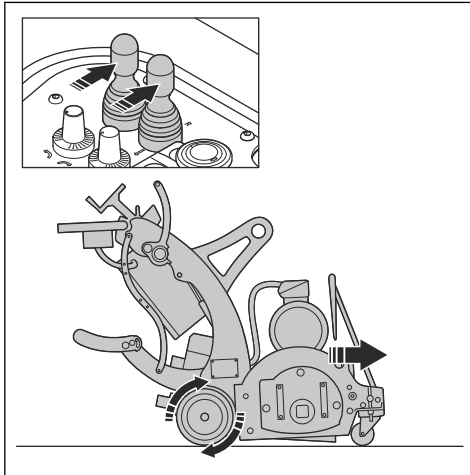


To operate the product



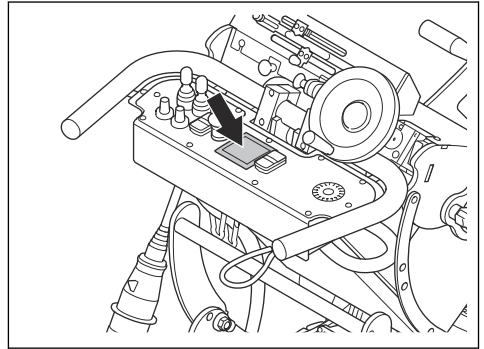
WARNING: This product is for forward operation only. Do not move the product rearward when the tool drum is in operation.

- Push the joysticks to move the product.



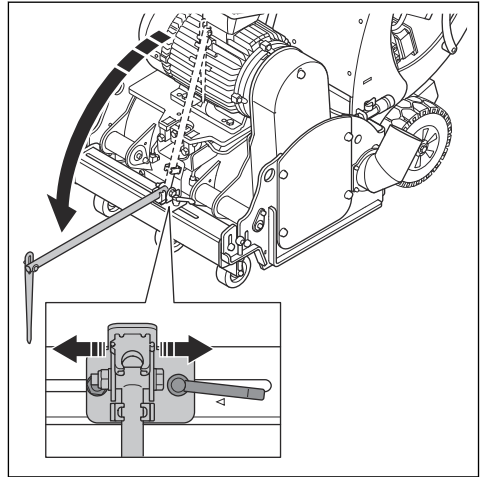
- Adjust the depth if it is necessary. One full revolution of the depth adjustment wheel adjusts the depth 1.1 mm.

- Monitor the ammeter during the operation. The maximum amperage for each motor type is as follows:



- a) For motor type 3x400V, 50 Hz: 19.6 A.
- b) For motor type 3x480V, 60 Hz: 16.6 A.

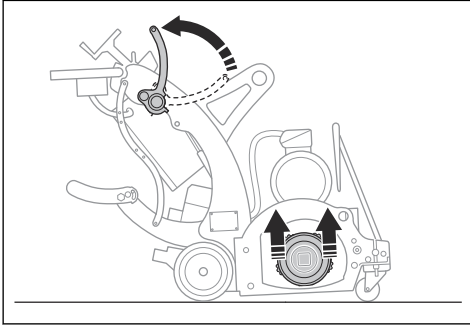
- To make it easier to move straight, fold down the direction pointer.



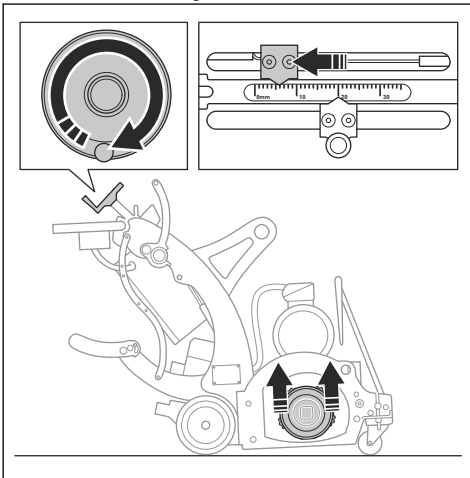
Note: The direction pointer can be adjusted laterally.

To stop the product

1. Pull the lift lever up.



2. Turn the depth adjustment wheel until the tool drum does not touch the ground.



3. Push the OFF button for the drive motor and the OFF button for the drum motor.
4. Wait until all moving parts are fully stopped.
5. Stop the dust extractor.
6. Disconnect the power plug.

Maintenance

Introduction



WARNING: Before you do maintenance, you must read and understand the safety chapter.

For all servicing and repair work on the product, special training is necessary. We guarantee the availability of professional repairs and servicing. If your dealer is not a service agent, speak to them for information about the nearest service agent.

Maintenance schedule

* = General maintenance done by the operator. The instructions are not given in this operator's manual.

X = The instructions are given in this operator's manual.

O = The instructions are not given in this operator's manual. Let an approved service agent do the maintenance.

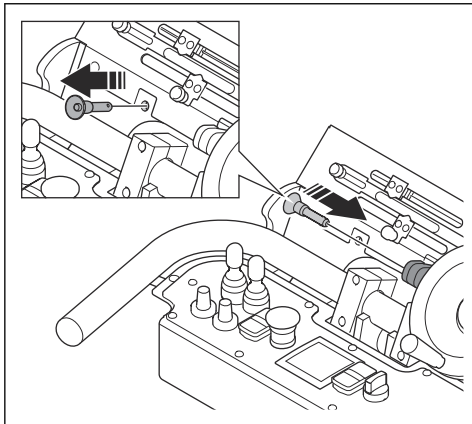
General product maintenance	Daily	12h after service	Each 3 months	Yearly
Clean the product.	X			

General product maintenance	Daily	12h after service	Each 3 months	Yearly
Do a check of all safety devices.	X			
Make sure that nuts and screws are tight.	*	*		
Examine the tool drum, the drum axle, the tools and the housing for wear.	*			
Make sure that the power plug and extension cable are in good condition and not damaged.	*			
Do a check of the RCD.	*			
Do a check of the electrical components, the cables and the connections for wear and damages.	*			
Do a check of the drive belt tension.	X		X	
Make sure that the dust hose is not damaged and free of blockage.	*			
Empty the dust extractor.	*			
Lubricate the bearing.			X	
Examine the brushes below the drum housing for wear.			*	
Do a complete servicing and cleaning of the product.				O

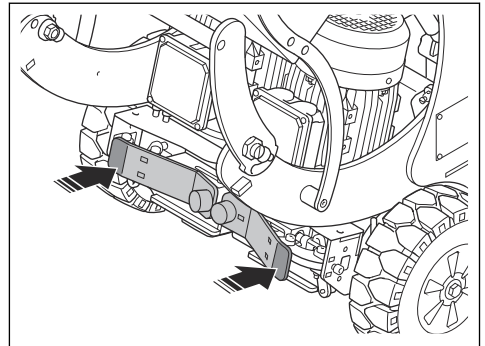
To tilt the product rearward

For some maintenance it is necessary to tilt the product rearward to get access to the tool drum.

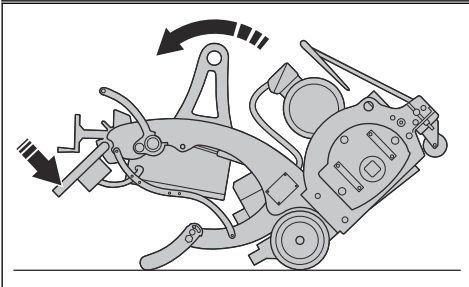
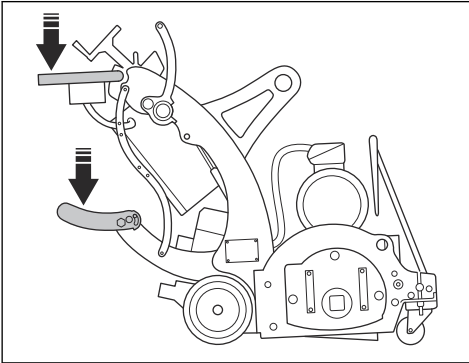
1. Release the steering lock at the control panel.



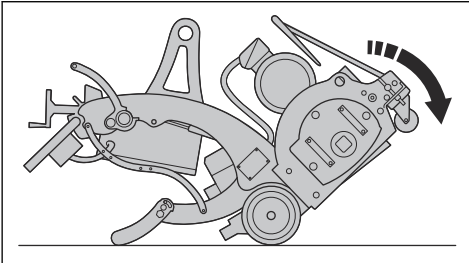
2. Disengage the drive system.



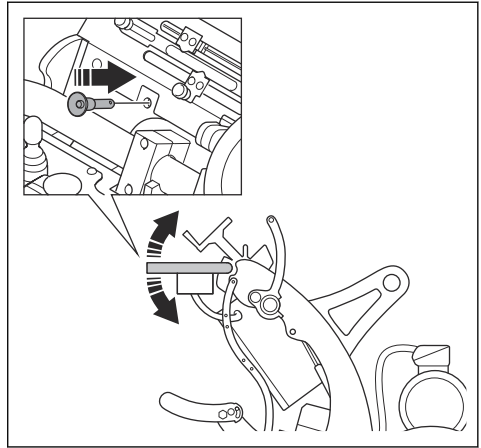
3. Push down on the handles and the foot support to tilt the product.



4. Lower the product carefully. The front is very heavy.



5. Install the steering lock again.



To clean the product

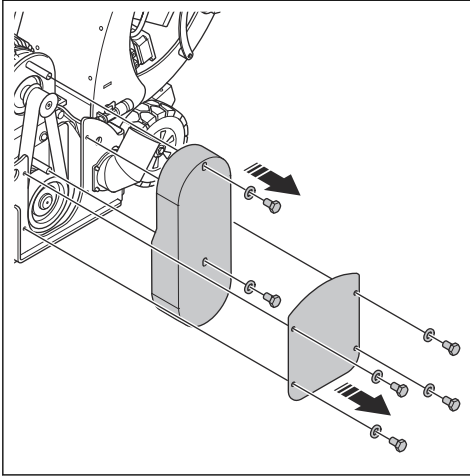
- Always clean all the equipment after use. Use a vacuum cleaner.
- Do not use a high-pressure washer to clean the product.
- Keep the air openings clean and clear to make sure that the product always has sufficiently cool temperature.
- Clean the tool drum after operation on moist surfaces.

To lubricate the bearing

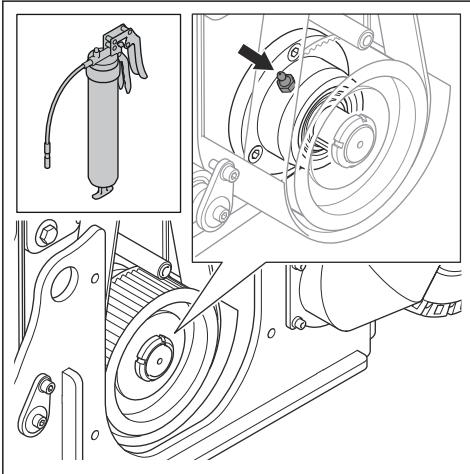


CAUTION: Use the correct type of grease. Refer to *Technical data BMP 335 on page 20*. Incorrect type of grease can cause damage to the bearing.

1. Remove the drive belt cover.

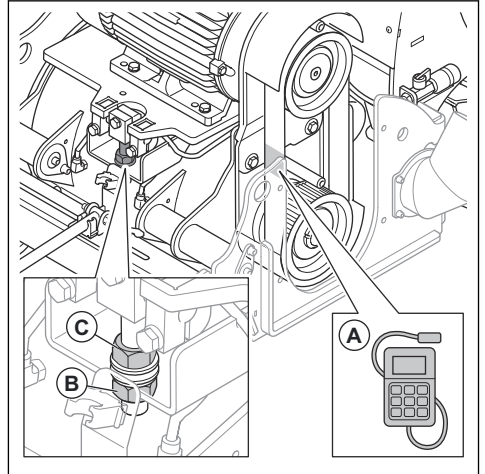


2. Push 5–10 g of grease into the grease nipple with a grease gun.



To do a check of the drive belt tension

1. Measure the drive belt tension in the center of the drive belt span (A). Correct tension is 105 Hz.



2. If it is necessary to adjust the drive belt tension, do these steps:
 - a) Loosen the nut (B).
 - b) Turn the nut (C) clockwise to tighten the drive belt.
 - c) Turn the nut (C) counterclockwise to loosen the drive belt.
 - d) Tighten the nut (B).

Troubleshooting

Problem	Cause	Solution
Too much vibration and/or unusual noises.	The tools are worn or damaged.	Replace parts that are worn or damaged.
	The bearing is defective.	Do a check of the bearing on the axle drive shaft and replace if it is necessary.
	Incorrect tension of the drive belt.	Do a check of the drive belt tension. Refer to <i>To do a check of the drive belt tension on page 17.</i>
	The motor is defective.	Replace the motor.
	The tool drum is set to too much operation depth.	Decrease the operation depth.
Decreased or no performance.	The tools are worn or damaged.	Replace the worn parts.
	The type of tools is incorrect for the surface.	Replace the tools with correct tools for the surface.
The motor does not start.	A phase of the power supply is missing.	Do a check of the power supply.
	A phase of the power supply is incorrect.	Adjust the phase.
	The emergency stop button is engaged.	Turn the emergency stop button clockwise to disengage.
	There is no power in the drive system.	Start the drive system, then start the drum motor.
	A component is defective.	Replace the defective component.
	The OPC is not installed.	Install the OPC.
	The extension cable is disconnected or damaged.	Connect the extension cable or if it is necessary, replace the extension cable.
The product stops after a while.	The motor protection switch releases because of overload.	Decrease the cutting depth.
	The motor has a defect.	Do a check of the motor.
The drive system does not operate correctly.	The drive system pedals are not engaged.	Push the drive system pedals in.

Transportation, storage and disposal

Transportation



WARNING: Be careful during transportation. The product is heavy and can cause injury or damage if it falls or moves during transportation.



CAUTION: Pull the lift lever before transportation. The tools must not be against the ground during transportation.

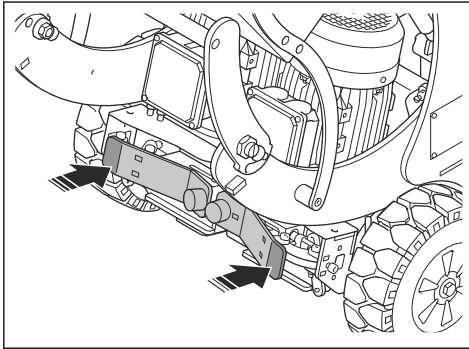


CAUTION: Do not tow the product behind a vehicle.

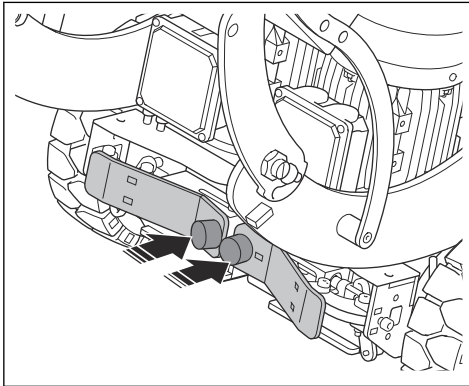
- The wheels let you move the product shorter distances. For longer distances, lift the product to move it or put the product on a vehicle.
- Put some type of protection on the product during transportation. The protection keeps natural elements such as rain and snow away from the product.

To disengage and engage the drive system

1. Push the outer ends of the drive system pedals to disengage the drive system.



2. Push the inner ends of the drive system pedals to engage the drive system.



To move the product manually with the motor off



WARNING: Wait until all moving parts are stationary before you move the product.



WARNING: Use protective boots with steel toe-cap and non-slip sole.



WARNING: Do not move the product up and down ramps manually with the drive system disengaged. Only move the product manually on level ground.

1. Disengage the drive system. Refer to *To disengage and engage the drive system on page 19*.
2. Push the product by the handles.
3. Engage the drive system. Refer to *To disengage and engage the drive system on page 19*. With the motor off, this has the function of a parking brake and prevents accidental movement of the product.

To move the product up and down a ramp



WARNING: Be very careful when you move the product up and down ramps. The product is heavy and there is a risk of injury if the product falls or moves too quickly.



WARNING: For ramps with a steep slope, always use a winch. Do not walk or stay below or near the product.

- To move the product down a ramp, operate the product forward slowly.
- To move the product up a ramp, operate the product rearward slowly.
- Do not turn the product to the left or to the right more than 45° on a ramp.

To lift the product



WARNING: Make sure that the lifting equipment has the correct specification to lift the product safely. The type plate on the product shows the product weight.

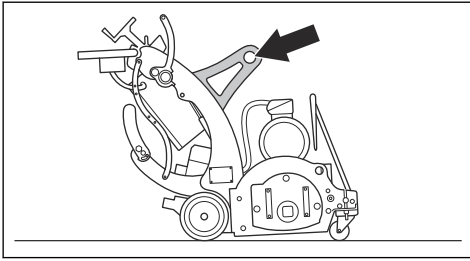


WARNING: Do not walk or stay below or near a lifted product. Keep bystanders away from the work area.



WARNING: Do not lift a damaged product. Make sure that the lifting eye is correctly installed and not damaged.

1. Attach the lifting equipment at the lifting eye.



2. Lift the product safely.

To attach the product to a transportation vehicle

1. Make sure that the drive wheels are engaged. Refer to *To disengage and engage the drive system on page 19*.
2. Attach tie-down straps in the lifting eye and the holes for tie-down straps. Refer to *Product overview on page 2* for information about where the holes for tie-down straps are on your product.

3. Attach and tighten the tie-down straps to the transportation vehicle.

Storage



CAUTION: Do not put the product in storage outdoors. Always keep the product indoors.

- Keep the product in a dry and frost free area.
- Clean the product and do a complete servicing before you put the product in storage.
- Keep the product in a locked area to prevent access for children or persons that are not approved.

Disposal of the product

- Obey the local recycling requirements and applicable regulations.
- When the product no longer is used, send it to a Husqvarna dealer or discard it at a recycling location.

Technical data BMP 335

	3x400V, 50 Hz	3x480V, 60 Hz
Motor power, kW	11+1.1	
Electrical connection, V	3x400	3x480
Frequency, Hz	50	60
Power connector, pole/A	5/32	
Amperage consumption, A	19.6+3.4	
Operation width, mm	335	
Rotation speed of scarifier drum, min ⁻¹	1000	
Bearing grease type	E08729	
Weight excl. drum, kg	442	
Noise emission level ¹	100	
Sound power level ²	114	
Vibration level (Handle), m/s ² , ³	3.1	
Ambient temperature, °C	-5-40	
Diameter dust hose connection, mm	100	

¹ Uncertainty 3 dB(A).

² Uncertainty 3 dB(A).

³ Uncertainty 1.5 m/s²

Note: If your product requires an electrical specification that is not in the table, speak to a Husqvarna service agent for more information.

Extension cables

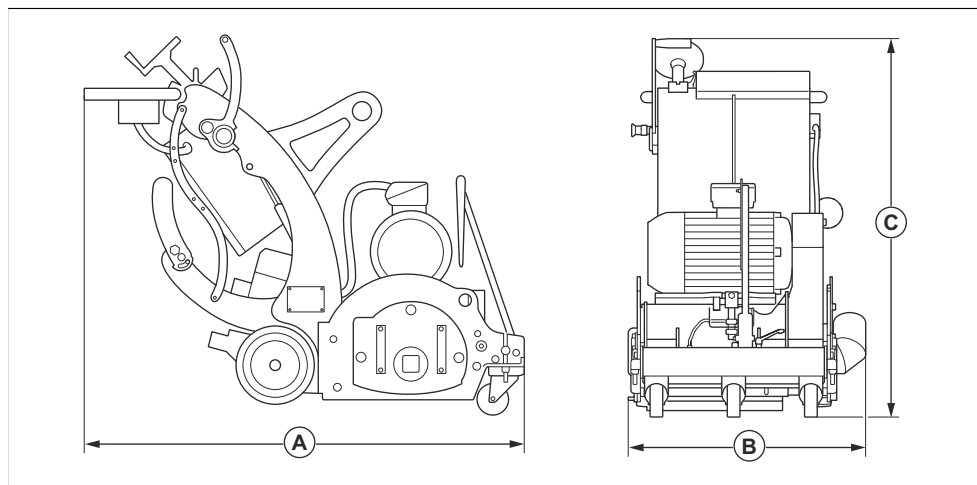
Cable length	Cross section			
	≤ 16 A	≤ 32 A	≤ 63 A	≤ 125 A
Calculated at a pre-fuse GG ⁴ :	16 amp	32 amp	63 amp	125 amp
> 20m	1.5 mm ²	2.5 mm ²	10 mm ²	25 mm ²
20m > 50m	2.5 mm ²	4 mm ²	10 mm ²	25 mm ²
50m > 75m	4 mm ²	6 mm ²	16 mm ²	35 mm ²

Noise and vibration declaration statement

These declared values were obtained by laboratory type testing in accordance with the stated directive or standards and are suitable for comparison with the declared values of other products tested in accordance with the same directive or standards. These declared

values are not suitable for use in risk assessments and values measured in individual work places may be higher. The actual exposure values and risk of harm experienced by an individual user are unique and depend upon the way the user works, in what material the product is used, as well as upon the exposure time and the physical condition of the user, and the condition of the product.

Product dimensions



A	Length, mm	1410
B	Width, mm	750
C	Height, mm	1158

⁴ The cross sections must be re-calculated when other type or dimension pre-fuse are used than is given.

Declaration of Conformity

EU Declaration of Conformity

We, Husqvarna AB, SE-561 82 Huskvarna, Sweden, tel:
+46- 36-146500, declare on our sole responsibility that
the product:

Description	Scarifier
Brand	Husqvarna
Type/Model	BMP 335
Identification	Serial numbers dating from 2022 and onwards

complies fully with the following EU directives and
regulations:

Directive/Regulation	Description
2006/42/EC	"relating to machinery"
2014/30/EU	"relating to electromagnetic compatibility"

and that the following standards and/or technical
specifications are applied;

EN ISO 12100:2010, EN 60204-1:2006

Partille, 2022-01-24



Martin Huber
R&D Director, Concrete Surfaces & Floors
Husqvarna AB, Construction Division
Responsible for technical documentation



Inhalt

Einleitung.....	23	Fehlersuche.....	39
Sicherheit.....	25	Transport, Lagerung und Entsorgung.....	40
Betrieb.....	30	Technische Daten BMP 335.....	42
Wartung.....	35	Konformitätserklärung.....	44

Einleitung

Gerätebeschreibung

Bei dem Gerät handelt es sich um eine handgeführte Bodenfräse, die von einem Elektromotor betrieben wird.

Verwendungszweck

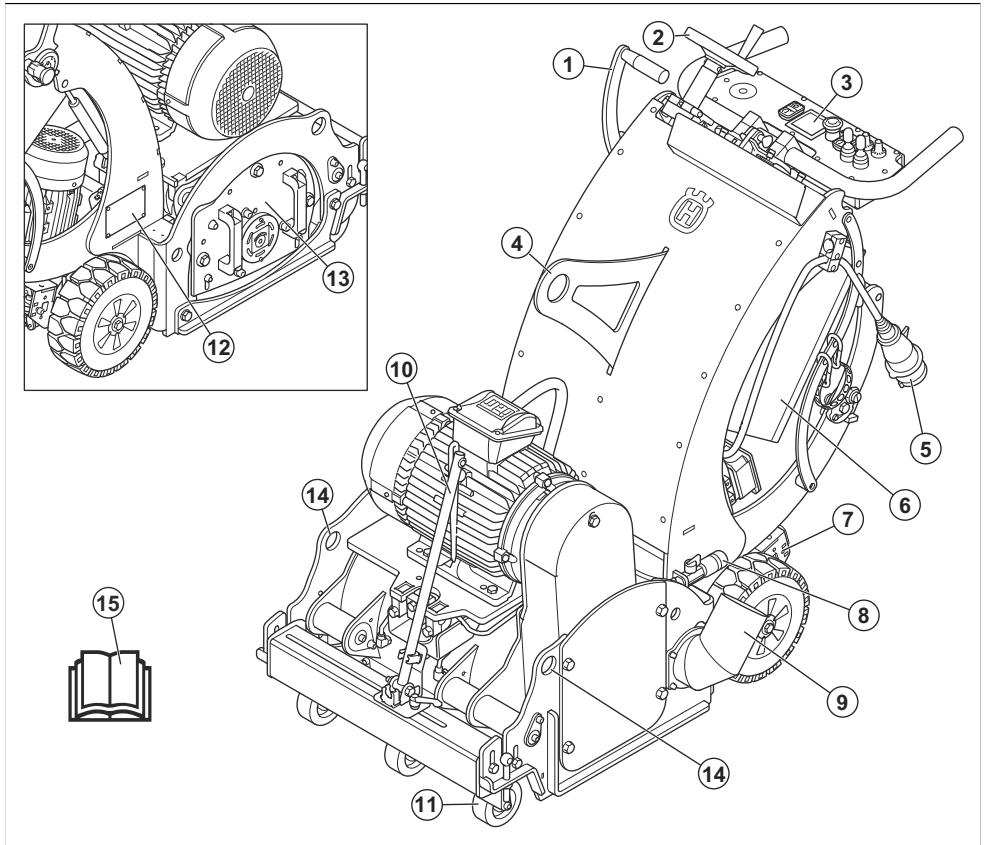
Das Gerät wird verwendet, um Oberflächen aufzurauen und um Betonschichten und Straßenmarkierungen zu

entfernen. Das Gerät kann auf Oberflächen wie Beton, Asphalt, Stein und Stahl eingesetzt werden.

Das Gerät ist für den gewerblichen Betrieb und für professionelle Bediener vorgesehen.

Verwenden Sie das Gerät nicht für andere Aufgaben.

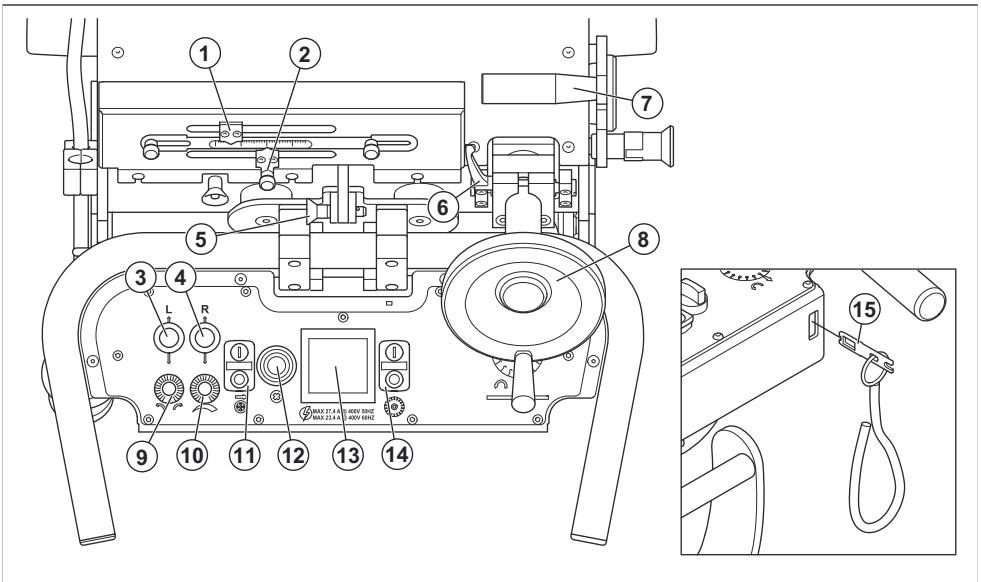
Geräteübersicht



1. Hubhebel
2. Tiefeneinstellrad
3. Bedienfeld
4. Hebeöse
5. Netzstecker
6. Schaltkasten mit Hauptschalter
7. Pedal Antriebssystem
8. Wasseranschluss
9. Verbinder für Staubabsauger
10. Richtungszeiger
11. Vorderrad
12. Typenschild
13. Seitenabdeckung
14. Öffnung für Zurring
15. Bedienungsanleitung

Hinweis: Wenn Wasser für Ihren Betrieb erforderlich ist, wenden Sie sich an eine Husqvarna-Servicewerkstatt für weitere Informationen.

Überblick über die Bedientafel



1. Anzeige für die Tiefeneinstellung
2. Manuelle Tiefenanzeige
3. Joystick für die Vorwärts- und Rückwärtsbewegung des linken Antriebsrads
4. Joystick für die Vorwärts- und Rückwärtsbewegung des rechten Antriebsrads
5. Lenksperre
6. Sperre für Tiefeneinstellrad
7. Hubhebel
8. Tiefeneinstellrad
9. Führungssteuerung
10. DrehzahlEinstellung
11. ON/OFF-Tasten für den Antriebsmotor
12. Not-Aus-Taste
13. Amperemeter (Strommessgerät)
14. ON/OFF-Tasten für den Trommelmotor

15. Bedienerpräsenzsteuerung (OPC)

Symbole auf dem Gerät



Warnung: Dieses Gerät kann gefährlich sein und schwere oder tödliche Verletzungen des Bedieners oder anderer Personen verursachen. Gehen Sie vorsichtig vor, und verwenden Sie das Gerät ordnungsgemäß.



Hochspannung.



Halten Sie alle Körperteile von heißen Oberflächen fern.



Aufnahmepunkt.



Halten Sie die Hände von rotierenden Teilen fern.



Lesen Sie die Bedienungsanleitung sorgfältig durch, und machen Sie sich mit den Anweisungen vertraut, bevor Sie das Gerät verwenden.



Tragen Sie einen zugelassenen Atemschutz.



Tragen Sie einen zugelassenen Gehörschutz.



Tragen Sie einen zugelassenen Augenschutz.



Tragen Sie zugelassene Schutzhandschuhe.



Tragen Sie zugelassene Schutzstiefel.

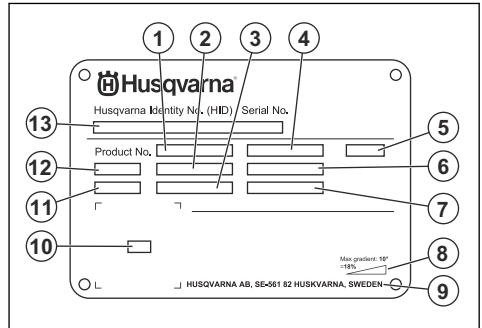


Dieses Gerät entspricht den geltenden EU-Richtlinien.

Hinweis: Sonstige Symbole/Aufkleber auf dem Gerät beziehen sich auf spezielle

Zertifizierungsanforderungen, die in bestimmten Ländern gelten.

Typenschild



1. Geräteummer
2. Gerätegewicht
3. Nennleistung
4. Nennspannung
5. Gehäuse
6. Nennstrom
7. Häufigkeit
8. Maximaler Neigungswinkel
9. Hersteller
10. Scanbarer Code
11. Baujahr
12. Modell
13. Seriennummer

Produkthaftung

Im Sinne der Produkthaftungsgesetze übernehmen wir keine Haftung für Schäden, die unser Gerät verursacht, wenn...

- das Gerät nicht ordnungsgemäß repariert wird.
- das Gerät mit Teilen repariert wird, die nicht vom Hersteller stammen oder nicht vom Hersteller zugelassen sind.
- ein Zubehörteil mit dem Gerät verwendet wird, das nicht vom Hersteller stammt oder nicht vom Hersteller zugelassen ist.
- das Gerät nicht bei einem zugelassenen Service Center oder von einem zugelassenen Fachmann repariert wird.

Sicherheit

Sicherheitsdefinitionen

Warnungen, Vorsichtsmaßnahmen und Hinweise werden verwendet, um auf besonders wichtige Teile der Bedienungsanleitung hinzuweisen.



WARNUNG: Wird verwendet, wenn bei Nichtbeachtung der Anweisungen in diesem Handbuch die Gefahr von Verletzung oder Tod des Bedieners oder anderer Personen besteht.



ACHTUNG: Wird verwendet, wenn bei Nichtbeachtung der Anweisungen in diesem Handbuch die Gefahr von Schäden am Gerät, an anderen Materialien oder in der Umgebung besteht.

Hinweis: Für weitere Informationen, die in bestimmten Situationen nötig sind.

Allgemeine Sicherheitshinweise



WARNUNG: Lesen Sie die folgenden Warnhinweise, bevor Sie das Gerät benutzen.

- Dieses Gerät ist ein gefährliches Werkzeug, wenn Sie nicht aufpassen oder es unsachgemäß verwenden. Dieses Gerät kann schwere oder tödliche Verletzungen des Bedieners oder anderer Personen verursachen. Es ist sehr wichtig, dass Sie vor der Anwendung des Geräts den Inhalt dieser Bedienungsanleitung gelesen und verstanden haben.
- Bewahren Sie alle Warn- und Sicherheitshinweise auf.
- Halten Sie alle geltenden Gesetze und Vorschriften ein.
- Der Bediener und dessen Arbeitgeber müssen die mit dem Betrieb des Geräts verbundenen Gefahren kennen und vermeiden.
- Untersagen Sie allen Personen die Benutzung des Geräts, bis diese den Inhalt der Bedienungsanleitung gelesen und verstanden haben.
- Verwenden Sie das Gerät nicht, ohne vorher dafür geschult worden zu sein. Stellen Sie sicher, dass alle Bediener Schulungen erhalten.
- Lassen Sie nicht zu, dass Kinder das Gerät verwenden.
- Es dürfen nur zugelassene Personen mit dem Gerät arbeiten.
- Der Bediener ist für Unfälle verantwortlich, die anderen Personen zustoßen oder an deren Eigentum entstehen.
- Verwenden Sie das Gerät nicht, wenn Sie müde oder krank sind oder unter Einfluss von Alkohol, Drogen oder Medikamenten stehen.
- Lassen Sie immer Vorsicht walten, und arbeiten Sie mit gesundem Menschenverstand.
- Dieses Gerät erzeugt beim Betrieb ein elektromagnetisches Feld. Dieses Feld kann sich unter bestimmten Bedingungen auf die Funktionsweise aktiver oder passiver medizinischer Implantate auswirken. Um die Gefahr von Situationen, die zu schweren oder tödlichen Verletzungen führen können, zu verringern, sollten Personen mit einem medizinischen Implantat vor der

Nutzung dieses Gerätes mit ihrem Arzt und dem Hersteller des Implantats sprechen.

- Halten Sie das Gerät sauber. Stellen Sie sicher, dass Symbole und Aufkleber deutlich lesbar sind.
- Verwenden Sie das Gerät nicht, wenn es defekt ist.
- Nehmen Sie keine Modifikationen am Gerät vor.
- Bedienen Sie das Gerät nicht, wenn die Möglichkeit besteht, dass andere Personen Modifikationen daran durchgeführt haben.

Sicherheitshinweise für den Betrieb



WARNUNG: Lesen Sie die folgenden Warnhinweise, bevor Sie das Gerät verwenden.

- Tragen Sie eine persönliche Schutzausrüstung. Siehe *Persönliche Schutzausrüstung auf Seite 28*.
- Eine übermäßige Belastung durch Vibrationen kann bei Personen mit verminderter Durchblutung Kreislauf- oder Nervenschäden verursachen. Suchen Sie einen Arzt auf, wenn Sie an Ihrem Körper Symptome feststellen, die darauf hinweisen, dass Sie zu starken Vibrationen ausgesetzt waren. Zu diesen Symptomen zählen beispielsweise Einschlafen von Körperteilen, Gefühlsverlust, Kitzeln, Stechen, Schmerz, Verlust oder Beeinträchtigung der normalen Körperkraft, Veränderungen der Hautfarbe oder der Hautbeschaffenheit. Diese Beschwerden treten normalerweise in den Fingern, Händen und Handgelenken auf.
- Bedienen Sie das Gerät nicht, ohne dass alle Schutzabdeckungen montiert sind.
- Stellen Sie sicher, dass Sie wissen, wie der Motor in einem Notfall schnell gestoppt werden kann.
- Bevor Sie sich vom Gerät entfernen, stoppen Sie den Motor, und ziehen Sie das Netzkabel ab. Stellen Sie sicher, dass versehentliches Starten verhindert wird.
- Achten Sie darauf, dass sich Kleidung, langes Haar und Schmuck nicht in beweglichen Teilen verfangen können
- Stellen Sie sicher, dass Sie während der Arbeit eine sichere und stabile Position einnehmen.
- Bedienen Sie das Gerät nur auf horizontalen Flächen.
- Bedienen Sie das Gerät nur dann, wenn Sie bei einem Unfall Hilfe bekommen können
- Verwenden Sie immer zugelassenes Zubehör. Ihr Husqvarna-Händler steht Ihnen gern für weitere Informationen zur Verfügung.
- Wenn Vibrationen im Gerät auftreten oder es ungewöhnlich laut ist, stoppen Sie es umgehend. Untersuchen Sie das Gerät auf beschädigte Teile. Reparieren Sie Schäden, oder lassen Sie eine zugelassene Servicewerkstatt die Reparatur durchführen.

- Schließen Sie das Gerät zur Entfernung des Staubs an einen Staubabsauger an.
- Ziehen Sie nicht am Schlauch des Staubabsaugers. Das Gerät kann herunterfallen und Verletzungen oder Schäden verursachen.
- Lassen Sie den Staubabsauger eingeschaltet, bis der Motor ganz zum Stillstand gekommen ist.
- Bedienen Sie das Gerät nur von hinten mit Ihren Händen am Handgriff.
- Achten Sie darauf, dass sich auf den Handgriffen kein Fett oder Öl befindet.
- Platzieren Sie Ihre Hände nur auf dem Griff bzw. den Griffen. Halten Sie alle anderen Körperteile vom Gerät fern.
- Stoppen Sie das Gerät sofort, wenn plötzlich starke Vibrationen auftreten. Setzen Sie den Betrieb erst fort, wenn die Ursache für die gesteigerten Vibrationen beseitigt wurde.

Vibrationen Sicherheit



WARNUNG: Lesen Sie die folgenden Warnhinweise, bevor Sie das Produkt benutzen.

- Beim Betrieb des Geräts kommt es zu Vibrationen, die vom Gerät auf den Anwender übertragen werden. Regelmäßiger und häufiger Betrieb des Geräts kann zu Verletzungen des Anwenders führen oder Symptome verstärken. Es kann zu Verletzungen an Fingern, Händen, Handgelenken, Armen, Schultern und/oder Nerven sowie bei der Blutversorgung oder an anderen Körperteilen kommen. Die Verletzungen können hinderlich und/oder chronisch werden und sich allmählich über Wochen, Monate oder Jahre hinweg verstärken. Zu möglichen Verletzungen können Schäden am Blutkreislauf, am Nervensystem, an Gelenken und anderen Körperteilen gehören.
- Symptome können während des Betriebs des Geräts oder zu einem anderen Zeitpunkt auftreten. Wenn Sie bereits Symptome haben und das Gerät weiter bedienen, können sich die Symptome verstärken oder chronisch werden. Wenn Sie diese oder andere Symptome an sich bemerken, wenden Sie sich an einen Arzt:
 - Taubheit, Gefühlsverlust, Kribbeln, Stechen, Schmerz, Brennen, Pochen, Steifheit, Schwerfälligkeit, Verlust von Kraft, Veränderungen an Hautfarbe oder Hautzustand.
- Bei niedrigen Temperaturen können sich die Symptome verstärken. Tragen Sie warme Kleidung und halten Sie Ihre Hände warm und trocken, wenn Sie das Gerät in kalten Umgebungen betreiben.
- Warten und betreiben Sie das Gerät gemäß den Anweisungen der Bedienungsanleitung, um einen vorschrittmäßigen Vibrationspegel sicherzustellen.
- Das Gerät verfügt über ein Antivibrationssystem, das die Vibrationen an den Griffen für den Bediener reduziert. Lassen Sie das Gerät die Arbeit verrichten. Drücken Sie das Gerät nicht mit Kraft. Halten Sie das Produkt leicht an den Griffen fest, aber stellen Sie sicher, dass Sie es kontrollieren und sicher bedienen. Drücken Sie das Gerät nicht häufiger als nötig in die Endanschläge.



WARNUNG: Lesen Sie die folgenden Warnhinweise, bevor Sie das Gerät verwenden.

- Der Betrieb des Geräts kann Staub in der Luft verursachen. Staub kann schwere Verletzungen und permanente Gesundheitsprobleme verursachen. Silikatstaub wurde von verschiedenen Behörden als schädlich eingestuft. Dies sind Beispiele für derartige Gesundheitsprobleme:
 - Die tödlichen Lungenkrankheiten chronische Bronchitis, Silikose und Lungenfibrose
 - Krebs
 - Angeborene Fehlbildungen
 - Hautentzündung
- Verwenden Sie eine angemessene Ausstattung, um die Menge von Staub und Dämpfen in der Luft und den Staub auf Arbeitsgeräten, Oberflächen, Kleidung und Körperteilen zu verringern. Beispiele dafür sind Staubsammelanlagen und Wassernebel zum Binden des Staubs. Reduzieren Sie den Staub an der Quelle, falls möglich. Stellen Sie sicher, dass die Ausstattung korrekt montiert ist und verwendet wird und dass sie regelmäßig gewartet wird.
- Tragen Sie einen zugelassenen Atemschutz. Stellen Sie sicher, dass der Atemschutz für die gefährlichen Materialien im Arbeitsbereich geeignet ist.
- Stellen Sie sicher, dass der Arbeitsbereich ausreichend belüftet ist.

Lärm – Sicherheit



WARNUNG: Lesen Sie die folgenden Warnhinweise, bevor Sie das Gerät benutzen.

- Ein hoher Geräuschpegel und Lärmbelastung über einen langen Zeitraum können zu lärmbedingten Hörschäden führen.
- Um den Geräuschpegel auf einem Minimum zu halten, warten und betreiben Sie das Gerät gemäß den Anweisungen der Bedienungsanleitung.
- Tragen Sie einen zugelassenen Gehörschutz beim Arbeiten mit dem Gerät.
- Beachten Sie Warnsignale und Stimmen, wenn Sie einen Gehörschutz tragen. Entfernen Sie den Gehörschutz, wenn das Gerät ausgeschaltet wird, es sei denn, er ist bei dem Geräuschpegel in Ihrem Arbeitsbereich erforderlich.

Persönliche Schutzausrüstung



WARNUNG: Lesen Sie die folgenden Warnhinweise, bevor Sie das Gerät verwenden.

- Verwenden Sie stets die vorgeschriebene persönliche Schutzausrüstung bei der Bedienung des Geräts. Die persönliche Schutzausrüstung kann Verletzungen nicht vollständig vermeiden, vermindert aber den Umfang der Verletzungen und Schäden bei einem Unfall. Lassen Sie sich bei der Auswahl der korrekten persönlichen Schutzausrüstung von Ihrem Händler beraten.
- Überprüfen Sie regelmäßig den Zustand der persönlichen Schutzausrüstung.
- Verwenden Sie einen zugelassenen Schutzhelm.
- Tragen Sie einen zugelassenen Gehörschutz.
- Tragen Sie einen zugelassenen Atemschutz.
- Tragen Sie einen zugelassenen Augenschutz mit seitlicher Abschirmung.
- Tragen Sie stets Schutzhandschuhe.
- Tragen Sie Stiefel mit Stahlkappe und rutschfester Sohle.
- Tragen Sie zugelassene Arbeitskleidung oder gleichwertige, eng anliegende Kleidung mit langen Ärmeln und langen Hosenbeinen.

Feuerlöscher

- Halten Sie in der Nähe des Arbeitsbereichs einen Feuerlöscher griffbereit.
- Verwenden Sie einen Pulver-Feuerlöscher oder einen Kohlendioxid-Feuerlöscher.

Sicherheit im Arbeitsbereich



WARNUNG: Lesen Sie die folgenden Warnhinweise, bevor Sie das Gerät verwenden.

- Verwenden Sie das Gerät nicht bei Nebel, Regen, starkem Wind, kaltem Wetter, Gewittergefahr oder anderen schlechten Wetterbedingungen.
- Verwenden Sie das Gerät nicht in Bereichen, in denen Feuer oder Explosionen auftreten können.
- Achten Sie darauf, dass sich Kinder, umstehenden Personen und Tiere nicht im Arbeitsbereich aufhalten und in einem sicheren Abstand zum Gerät befinden.
- Stellen Sie sicher, dass sich nur befugte Personen im Arbeitsbereich befinden.
- Achten Sie auf einen sauberen und ausreichend hellen Arbeitsbereich.
- Entfernen Sie Objekte wie Schrauben, Bolzen, Kabel und Steine aus dem Arbeitsbereich, bevor Sie das Gerät verwenden.

- Stellen Sie sicher, dass sich keine Kabel oder Schläuche in der Betriebsrichtung des Geräts befinden.
- Achten Sie im Arbeitsbereich auf eine ausreichende Belüftung.

Elektrische Sicherheit



WARNUNG: Bei elektrisch angetriebenen Geräten besteht immer die Gefahr von elektrischen Schlägen. Verwenden Sie das Gerät nicht bei schlechtem Wetter. Berühren Sie keine Blitzableiter und Metallgegenstände. Verwenden Sie das Gerät immer gemäß den in diesem Betriebshandbuch hinterlegten Anweisungen, um Verletzungen zu vermeiden.



WARNUNG: Verwenden Sie stets eine Stromversorgung mit Fehlerstromgerät (RCD). Durch ein RCD wird das Risiko von Stromschlägen verringert.



WARNUNG: Hochspannung. Das Antriebsaggregat enthält ungeschützte Teile. Trennen Sie immer den Netzstecker, bevor Sie die Klappe des Schaltkastens öffnen.



ACHTUNG: Die Stromversorgung aus dem Gerät oder vom Generator muss ausreichend und konstant sein, um einen störungsfreien Betrieb des Motors sicherzustellen. Eine falsche Spannung führt dazu, dass der Stromverbrauch und die Temperatur des Motors ansteigen, bis der Sicherheitskreis ausgelöst wird. Die Auslegung des Netzkabels muss mit den nationalen und lokalen Vorschriften übereinstimmen. Die Auslegung der Netzsteckdose muss mit der Stromstärke der Steckdose und des Verlängerungskabels des Geräts übereinstimmen.

Wenn das Stromnetz einen höheren Systemwiderstand aufweist, kann beim Starten des Geräts die Spannung kurzzeitig abfallen. Dies kann den Betrieb anderer Geräte beeinflussen, z. B. ein Flackern des Lichts verursachen.

- Kontrollieren Sie, ob die Leistung, die Sicherung und die Netzspannung mit dem entsprechenden Spannungswert auf dem Typenschild des Geräts übereinstimmen.
- Schalten Sie das Gerät immer aus, bevor Sie den Netzstecker ziehen.

- Verwenden Sie das Gerät nicht, wenn Kabel oder Stecker beschädigt sind. Übergeben Sie es zur Reparatur an ein autorisiertes Kundendienstzentrum. Ein beschädigtes Netzkabel kann zu schweren und tödlichen Verletzungen führen.
- Verwenden Sie das Netzkabel nach Vorschrift. Verwenden Sie das Netzkabel nicht, um das Gerät zu verschieben, zu ziehen oder von der Netzspannung zu trennen. Ziehen Sie direkt am Stecker, um das Netzkabel abziehen. Ziehen Sie nicht am Netzkabel.
- Betreiben Sie das Gerät nicht in einer Wassertiefe, in der die Ausstattung des Geräts nass wird. Die Ausstattung kann beschädigt werden, und das Gerät kann durch führende Spannung Verletzungen verursachen.
- Achten Sie darauf, dass nicht mehr Feuchtigkeit in das Gerät gelangt, als durch das Wassersystem eingespeist wird. Halten Sie das Gerät von Regen fern. Wasser, das in das Gerät eindringt, erhöht das Risiko eines elektrischen Schlags.
- Achten Sie immer darauf, dass das Netzkabel getrennt ist, wenn Sie den Stecker des Motorkabels und des Schaltkastens ein- oder ausstecken.

Anweisungen für geerdete Geräte



WARNUNG: Ein falscher Anschluss kann zu einem Stromschlag führen. Wenden Sie sich an einen qualifizierten Elektriker, wenn Sie Zweifel daran haben, ob die Netzsteckdose richtig geerdet ist.

Nehmen Sie keine Modifikationen am Netzstecker vor. Dieser muss den Werksspezifikationen entsprechen. Wenn der Netzstecker oder das Netzkabel beschädigt ist oder ersetzt werden muss, wenden Sie sich an Ihre Husqvarna Servicewerkstatt. Beachten Sie die vor Ort geltenden Vorschriften und Gesetze.

Wenden Sie sich an einen qualifizierten Elektriker, wenn Sie die Anweisungen hinsichtlich des geerdeten Geräts nicht vollständig verstehen.

Verwenden Sie nur geerdete Verlängerungskabel für den Außenbereich mit Erdungssteckern und einer Erdungssteckdose, die für den Netzstecker des Geräts geeignet ist.

Das Gerät verfügt über ein geerdetes Netzkabel und einen Netzstecker. Schließen Sie das Gerät immer an eine geerdete Steckdose an. Dadurch verringert sich die Gefahr eines elektrischen Schlags, wenn eine Störung vorliegt.

Verwenden Sie keine elektrischen Adapter am Gerät.

Verlängerungskabel

- Verwenden Sie nur zugelassene Verlängerungskabel mit ausreichender Länge.
- Der Nennwert auf dem Verlängerungskabel muss dem auf dem Typenschild des Geräts angegebenen Wert entsprechen oder höher sein.
- Verwenden Sie Schuko-Verlängerungskabel.
- Wenn Sie das Gerät im Freien benutzen, verwenden Sie ein für den Außeneinsatz geeignetes Verlängerungskabel. Dadurch wird das Risiko von Stromschlägen verringert.
- Achten Sie darauf, dass die Verbindung mit dem Verlängerungskabel trocken ist und keinen Bodenkontakt hat.
- Halten Sie das Verlängerungskabel fern von Hitzequellen, Öl, scharfen Kanten und beweglichen Teilen. Ein beschädigtes Kabel erhöht das Risiko eines Stromschlags.
- Stellen Sie sicher, dass sich das Verlängerungskabel in einem guten Zustand befindet und unbeschädigt ist.
- Verwenden Sie das Verlängerungskabel nicht im aufgewickelten Zustand. Dies kann dazu führen, dass das Verlängerungskabel zu heiß wird.
- Vergewissern Sie sich, dass sich das Verlängerungskabel hinter Ihnen und dem Gerät befindet, wenn Sie mit dem Gerät arbeiten. Dadurch wird eine Beschädigung des Verlängerungskabels vermieden.

Sicherheitsvorrichtungen am Gerät



WARNUNG: Lesen Sie die folgenden Warnhinweise, bevor Sie das Gerät benutzen.

- Benutzen Sie kein Gerät mit defekten Sicherheitsvorrichtungen.
- Führen Sie regelmäßig eine Überprüfung der Sicherheitsvorrichtungen durch. Wenn die Sicherheitsvorrichtungen defekt sind, wenden Sie sich an Ihre Husqvarna-Servicewerkstatt.

Not-Aus-Taste

Mit der Not-Aus-Taste kann der Motor schnell abgestellt werden.

So führen Sie eine Prüfung der Not-Aus-Taste durch

Unter *Überblick über die Bedientafel auf Seite 24* finden Sie Informationen darüber, wo sich die Not-Aus-Taste an Ihrem Gerät befindet.

1. Drehen Sie die Not-Aus-Taste im Uhrzeigersinn, um sicherzustellen, dass die Not-Aus-Taste deaktiviert ist.
2. Das Gerät starten. Siehe *So starten Sie das Gerät auf Seite 33*.
3. Drücken Sie die Not-Aus-Taste.

4. Vergewissern Sie sich, dass der Motor vollständig zum Stillstand gekommen ist.
5. Drehen Sie die Not-Aus-Taste im Uhrzeigersinn, um sie zu deaktivieren.

Bedienerpräsenzsteuerung (OPC)

Wenn die OPC aktiviert wird, stoppt der Motor. Siehe *So überprüfen Sie die Bedienerpräsenzsteuerung (Operator Presence Control, OPC) auf Seite 30.*

So überprüfen Sie die Bedienerpräsenzsteuerung (Operator Presence Control, OPC)

1. Das Gerät starten. Siehe *So starten Sie das Gerät auf Seite 33.*
2. Ziehen Sie den OPC-Schlüssel ab. Wenn der Motor innerhalb von drei Sekunden nicht stoppt, wenden Sie sich an eine autorisierte Husqvarna Servicewerkstatt.

Sicherheitshinweise für die Wartung



WARNUNG: Lesen Sie die folgenden Warnhinweise, bevor Sie das Gerät verwenden.

- Tragen Sie eine persönliche Schutzausrüstung. Siehe *Persönliche Schutzausrüstung auf Seite 28.*
- Führen Sie nur Wartungsarbeiten durch, die gemäß dieser Betriebsanleitung vorgegeben sind. Lassen

- Sie alle anderen Wartungsarbeiten von einer autorisierten Servicewerkstatt durchführen.
- Wenn die Wartung nicht ordnungsgemäß und regelmäßig erfolgt, erhöhen sich die Verletzungsgefahr und das Risiko für eine Beschädigung des Geräts.
- Reinigen Sie das Gerät, und entfernen Sie gefährliches Material vor der Wartung.
- Stellen Sie den Motor ab, ziehen Sie die Bedienerpräsenzsteuerung heraus, und trennen Sie den Netzstecker, bevor Sie mit der Wartung beginnen.
- Führen Sie die Wartung des Geräts auf einem stabilen, ebenen Untergrund durch.
- Nehmen Sie keine Modifikationen am Produkt vor. Veränderungen am Gerät, die vom Hersteller nicht genehmigt wurden, können zu schweren Verletzungen oder zum Tod führen.
- Ersetzen Sie beschädigte, verschlissene oder defekte Teile.
- Verwenden Sie immer Originalersatzteile und Originalzubehör. Zubehör und Ersatzteile, die vom Hersteller nicht genehmigt wurden, können zu schweren Verletzungen oder zum Tod führen.
- Führen Sie nach der Wartung eine Überprüfung des Vibrationswerts im Gerät durch. Wenn er nicht korrekt ist, wenden Sie sich an eine autorisierte Servicewerkstatt.
- Lassen Sie das Gerät regelmäßig von einer autorisierten Servicewerkstatt warten.

Betrieb

Einleitung



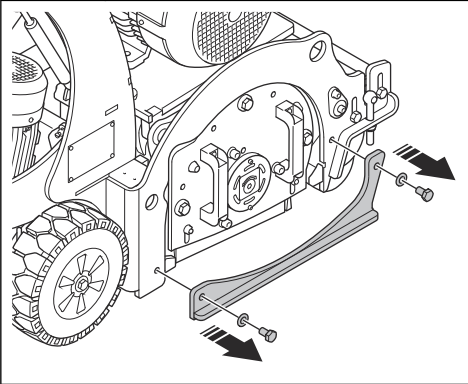
WARNUNG: Vor dem Betrieb des Gerätes müssen Sie die Sicherheitsinformationen lesen und verstehen.

Bevor Sie das Gerät bedienen

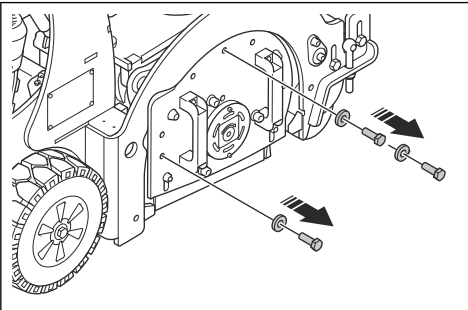
1. Lesen Sie die Bedienungsanleitung sorgfältig durch, und stellen Sie sicher, dass Sie die Anweisungen verstehen.
2. Lesen Sie die Bedienungsanleitung für den Staubabsauger sorgfältig durch, und vergewissern Sie sich, dass Sie die Anweisungen verstanden haben.
3. Tragen Sie eine persönliche Schutzausrüstung. Siehe *Persönliche Schutzausrüstung auf Seite 28.*
4. Stellen Sie sicher, dass sich nur befugte Personen im Arbeitsbereich befinden.
5. Warten Sie das Gerät täglich. Siehe *Wartungsplan auf Seite 35.*
6. Stellen Sie sicher, dass das Gerät korrekt zusammengebaut und unbeschädigt ist.
7. Stellen Sie das Gerät in den Arbeitsbereich. Stellen Sie sicher, dass die Oberfläche waagrecht ist. Stellen Sie sicher, dass der Transport des Geräts zum und im Arbeitsbereich sicher und ordnungsgemäß erfolgt. Siehe *Transport auf Seite 40.*
8. Stellen Sie sicher, dass die Höhe der Vorderräder für den Betrieb korrekt eingestellt ist. Siehe *So stellen Sie die Höhe der Vorderräder ein auf Seite 32.*
9. Stellen Sie sicher, dass die Werkzeuge nicht auf den Boden treffen.
 - a) Stellen Sie den Hubhebel in die obere Position.
 - b) Drehen Sie das Tiefeneinstellrad im Uhrzeigersinn.
10. Schließen Sie einen Staubabsauger an das Gerät an. Siehe *So schließen Sie einen Staubabsauger an auf Seite 32.*
11. Schließen Sie das Gerät an eine Stromquelle an. Siehe *So schließen Sie das Gerät an die Stromversorgung an auf Seite 33.*
12. Stellen Sie sicher, dass die Höhe der Bürsten unter dem Trommelgehäuse für die Betriebstiefe korrekt ist. Lösen Sie, falls erforderlich, die Muttern, stellen Sie die Höhe ein und ziehen Sie die Muttern fest.

So installieren Sie die Frästrommel

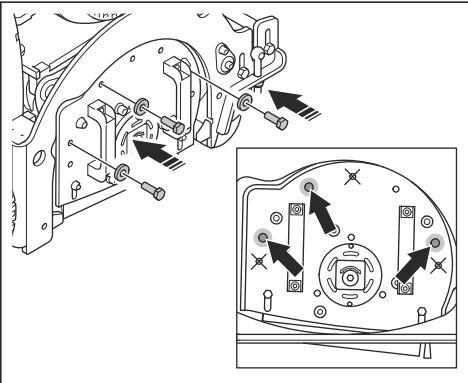
1. Entfernen Sie das Stützblech.



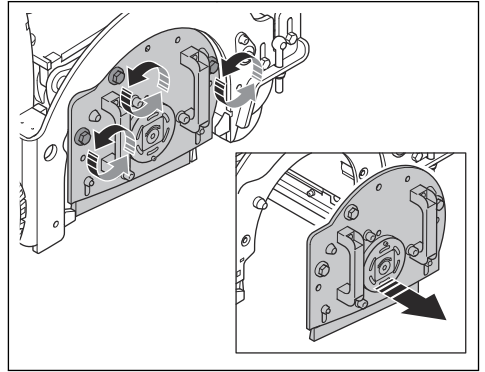
2. Entfernen Sie die Schrauben und Unterlegscheiben von der Seitenabdeckung.



3. Installieren Sie die Schrauben mit Unterlegscheiben in die benachbarten Bohrungen.

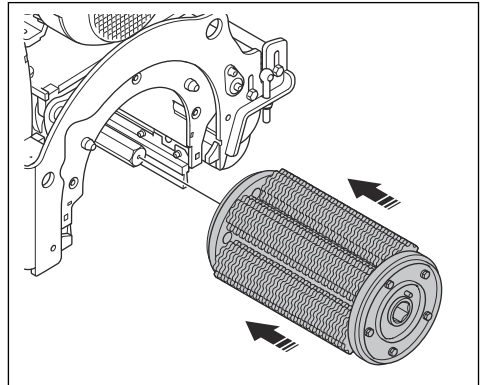


4. Drehen Sie die Schrauben, um die Seitenabdeckung abzdrukken.

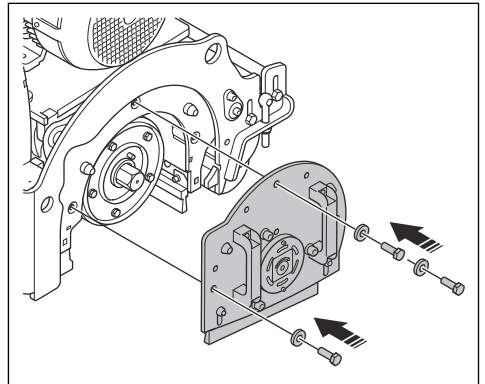


Hinweis: Wenn die Seitenabdeckung entfernt wird, hängt die Achse lose.

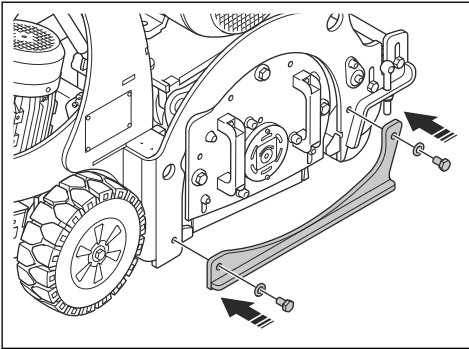
5. Installieren Sie die Frästrommel an der Achse.



6. Installieren Sie die Seitenabdeckung.



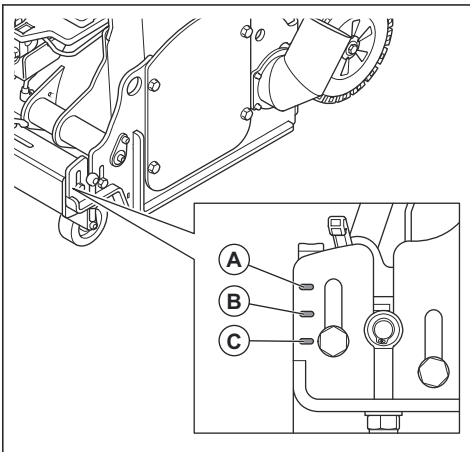
7. Installieren Sie die Stützplatte.



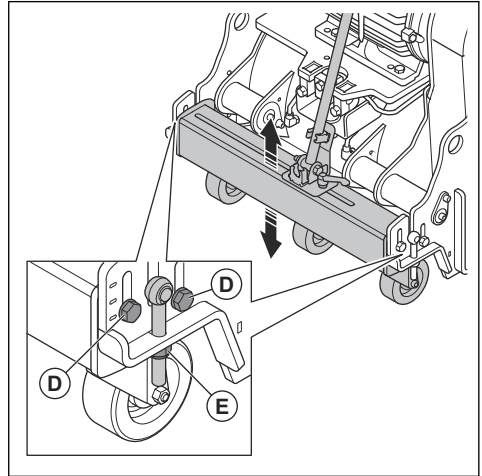
8. Prüfen Sie die Treibriemenspannung. Siehe *So prüfen Sie die Treibriemenspannung auf Seite 39*.

So stellen Sie die Höhe der Vorderräder ein

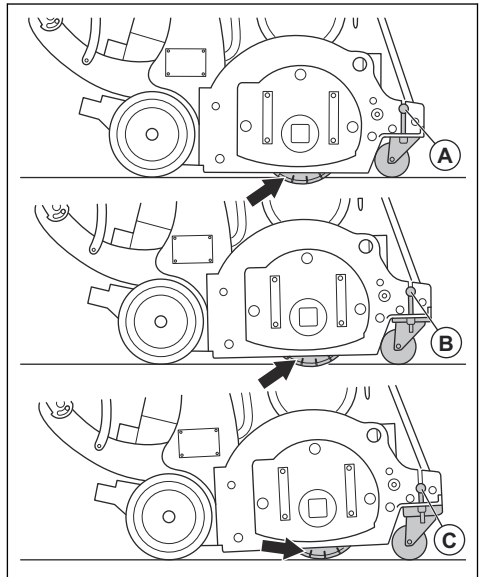
Die Standardposition ist (B). Position (A) wird für den Betrieb bei maximaler Tiefe verwendet. Position (C) wird für den Betrieb bei minimaler Tiefe verwendet.



1. Lösen Sie die Schrauben (D) auf beiden Seiten der Vorderradstange.



2. Drehen Sie die Mutter (E), um die passende Höhe einzustellen.
3. Ziehen Sie die Schrauben (D) auf beiden Seiten der Vorderradstange an.



So schließen Sie einen Staubabsauger an



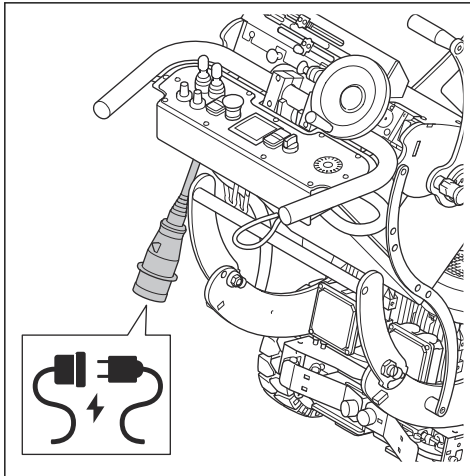
WARNUNG: Verwenden Sie den Staubabsauger nicht, wenn der Staubabsaugerschlauch beschädigt ist.

In diesem Fall steigt das Risiko, dass Sie gesundheitsgefährdenden Staub einatmen. Tragen Sie einen zugelassenen Atemschutz.

1. Untersuchen Sie den Staubabsaug Schlauch auf Beschädigungen.
2. Stellen Sie sicher, dass die Filter im Staubabsauger sauber und unbeschädigt sind.
3. Schließen Sie den Staubabsaug Schlauch an den Anschluss für den Staubabsauger an. Unter *Geräteübersicht auf Seite 23* finden Sie Informationen darüber, wo sich der Anschluss für den Staubabsauger am Gerät befindet.

So schließen Sie das Gerät an die Stromversorgung an

1. Verbinden Sie den Netzstecker des Geräts mit einem geeigneten Verlängerungskabel.



2. Stecken Sie den Netzstecker des Verlängerungskabels in eine Netzsteckdose.

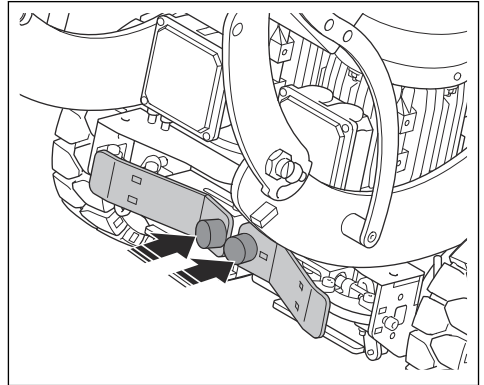


ACHTUNG: Wenn das Gerät an einen Staubabsauger angeschlossen wird, muss der Staubabsauger an eine dreiphasige Stromversorgung angeschlossen werden.

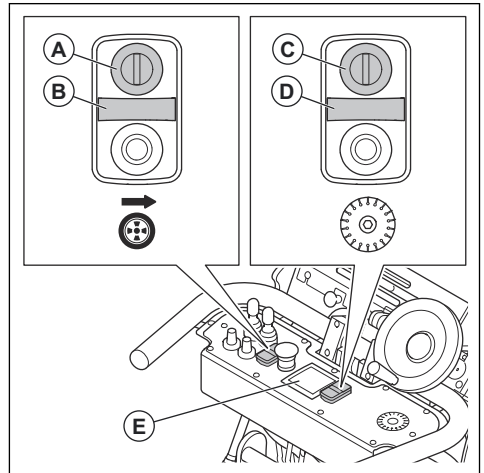
So starten Sie das Gerät

1. Starten Sie den Staubabsauger.
2. Legen Sie das Kabel der Bedienerpräsenzsteuerung um das rechte Handgelenk.

3. Treten Sie auf die Pedale des Antriebssystems, um das Antriebssystem zu aktivieren.



4. Drehen Sie die Not-Aus-Taste auf der Bedientafel im Uhrzeigersinn, um sicherzustellen, dass sie deaktiviert ist.
5. Stellen Sie den Hauptschalter am Schaltschrank in die Stellung ON.
6. Stellen Sie die Joysticks in Neutralstellung.
7. Drücken Sie die ON-Taste für den Antriebsmotor (A). Die Leuchte (B) leuchtet auf, wenn der Antriebsmotor mit Strom versorgt wird.

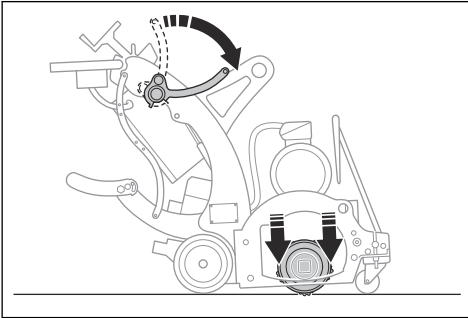


8. Drücken Sie die ON-Taste für den Trommelmotor (C). Die Leuchte (D) leuchtet auf, wenn der Trommelmotor mit Strom versorgt wird.

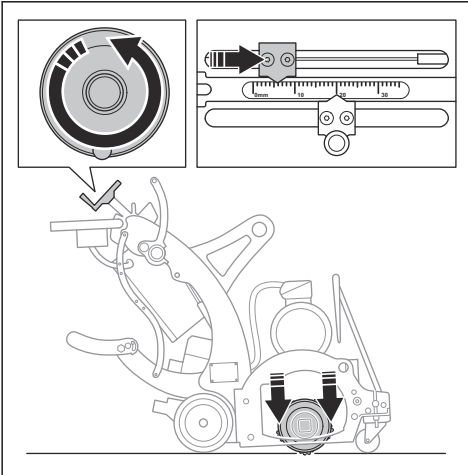
Hinweis: Der Trommelmotor kann nicht starten, wenn das Antriebssystem nicht eingeschaltet ist.

9. Warten Sie 10–15 Sekunden, bis sich die Farbe der Anzeige (E) von Rot zu Weiß ändert.

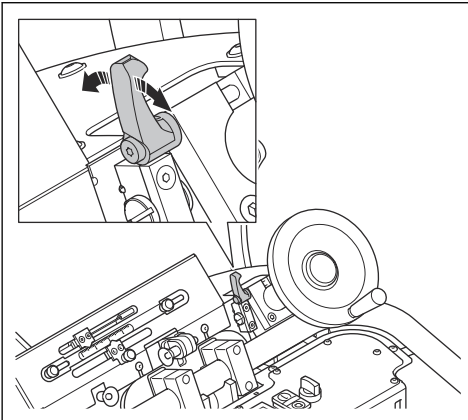
10. Senken Sie den Hubhebel langsam ab, um die Werkzeugtrommel auf den Boden abzusenken.



11. Drehen Sie das Tiefeneinstellrad gegen den Uhrzeigersinn, bis die Tiefe für den Betrieb stimmt.

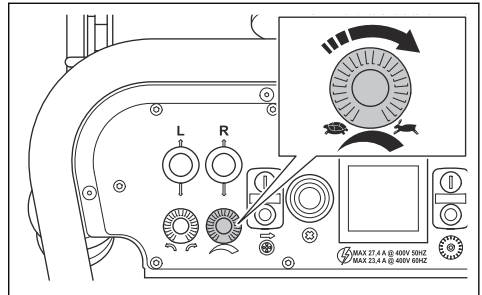


12. Drehen Sie die Dauerarretierung für das Tiefeneinstellrad, um die Betriebstiefe zu arretieren.



- a) Drehen Sie die Dauerarretierung, um die Arretierung des Tiefeneinstellrads wieder aufzuheben und die Betriebstiefe weiter anzupassen.

13. Stellen Sie mit dem Drehzahlstellknopf die Antriebsdrehzahl ein.

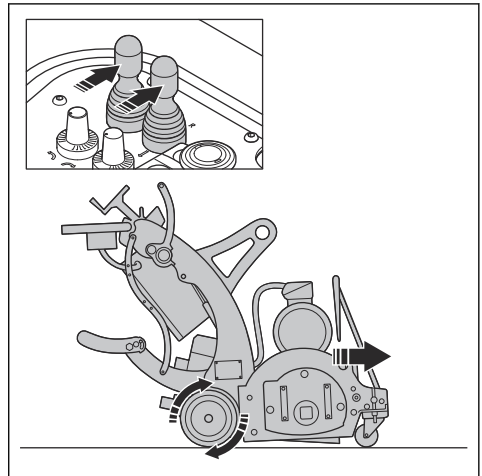


So bedienen Sie das Gerät



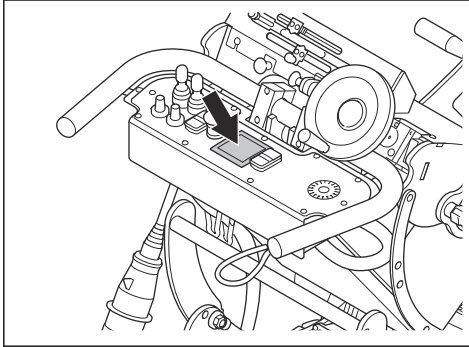
WARNUNG: Dieses Gerät ist nur für vorwärts gerichteten Betrieb gedacht. Bewegen Sie das Gerät nicht rückwärts, wenn die Werkzeugtrommel in Betrieb ist.

- Bewegen Sie das Gerät durch Drücken der Joysticks.



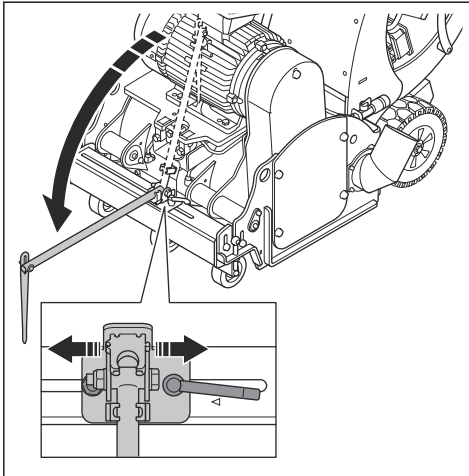
- Stellen Sie ggf. die Tiefe ein. Eine volle Umdrehung des Tiefeneinstellrads erhöht die Tiefe um 1,1 mm.

- Beobachten Sie beim Betrieb das Amperemeter. Die maximale Stromstärke für jeden Motortyp ist wie folgt:



- a) Motortyp 3 x 400 V, 50 Hz: 19,6 A.
- b) Motortyp 3 x 480 V, 60 Hz: 16,6 A.

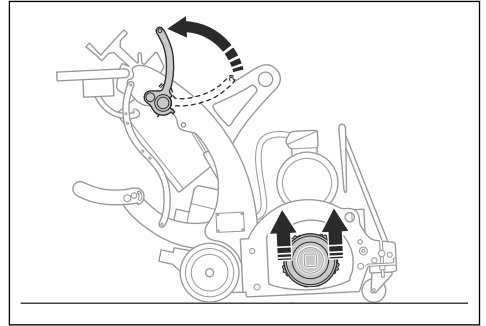
- Um das Geradeausfahren zu erleichtern, klappen Sie den Richtungszeiger nach unten.



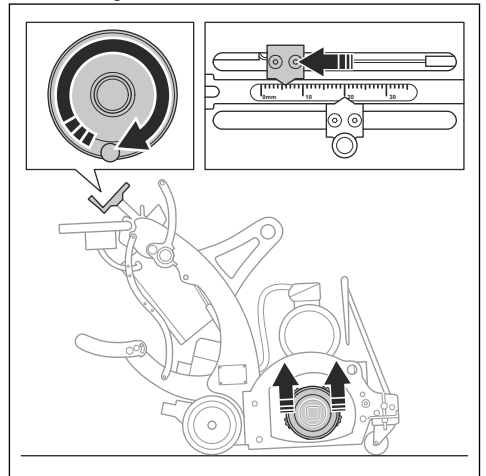
Hinweis: Der Richtungszeiger kann seitlich verstellt werden.

So stoppen Sie das Gerät

1. Ziehen Sie den Hubhebel nach oben.



2. Drehen Sie das Tiefeneinstellrad, bis die Werkzeugtrommel den Boden nicht berührt.



3. Drücken Sie die OFF-Taste für den Antriebsmotor und die OFF-Taste für den Trommelmotor.
4. Warten Sie, bis alle beweglichen Teile vollständig zum Stillstand gekommen sind.
5. Stoppen Sie den Staubabsauger.
6. Ziehen Sie den Netzstecker aus der Steckdose.

Wartung

Einleitung



WARNUNG: Bevor Sie eine Wartung durchführen, müssen Sie das Kapitel über die Sicherheit lesen und verstehen.

Für alle Wartungs- und Reparaturarbeiten am Produkt ist eine spezielle Schulung erforderlich. Wir garantieren die Verfügbarkeit von professionellen Reparaturen

und Wartungsarbeiten. Wenn Ihr Händler keine Servicewerkstatt ist, sprechen Sie mit ihm, um Informationen über die nächste Servicewerkstatt zu erhalten.

Wartungsplan

* = Allgemeine Wartung durch den Bediener. Diese Anweisungen sind nicht in dieser Bedienungsanleitung enthalten.

X = Diese Anweisungen sind in dieser Bedienungsanleitung enthalten.

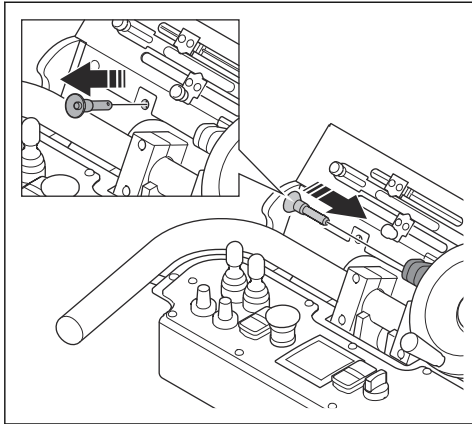
O = Diese Anweisungen sind nicht in dieser Bedienungsanleitung enthalten. Lassen Sie die Wartung von einer zugelassenen Servicewerkstatt durchführen.

Allgemeine Gerätewartung	Täglich	12 h nach Service	Alle 3 Monate	Jährlich
Das Gerät reinigen.	X			
Eine Überprüfung aller Sicherheitsvorrichtungen durchführen.	X			
Sicherstellen, dass alle Muttern und Schrauben fest angezogen sind.	*	*		
Untersuchen Sie die Werkzeugtrommel, die Trommelachse, die Werkzeuge und das Gehäuse auf Verschleiß.	*			
Stellen Sie sicher, dass der Netzstecker und das Verlängerungskabel sich in einem guten Zustand befinden und nicht beschädigt sind.	*			
Überprüfen Sie den FI-Schalter.	*			
Prüfen Sie die elektrischen Bauteile, Kabel und Anschlüsse auf Verschleiß und Schäden.	*			
Prüfen Sie die Treibriemenspannung.	X		X	
Sicherstellen, dass der Staubschlauch nicht beschädigt oder verstopft ist.	*			
Leeren Sie den Staubabsauger.	*			
Schmieren Sie das Lager.			X	
Prüfen Sie die Bürsten unter dem Trommelgehäuse auf Verschleiß.			*	
Führen Sie eine vollständige Wartung und Reinigung des Geräts durch.				O

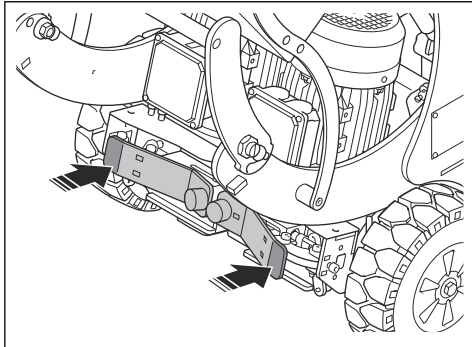
So neigen Sie das Gerät nach hinten

Für einige Wartungsarbeiten ist es erforderlich, das Gerät nach hinten zu neigen, um Zugang zur Werkzeugtrommel zu erhalten.

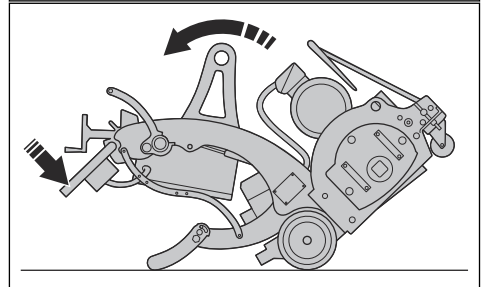
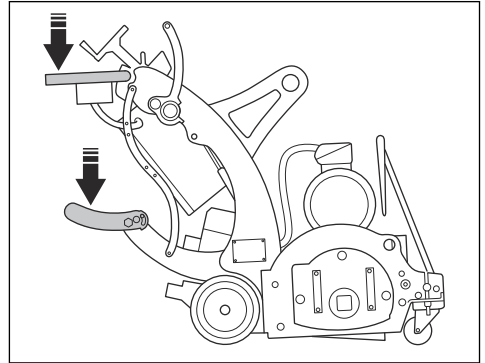
1. Lösen Sie die Lenksperre am Bedienfeld.



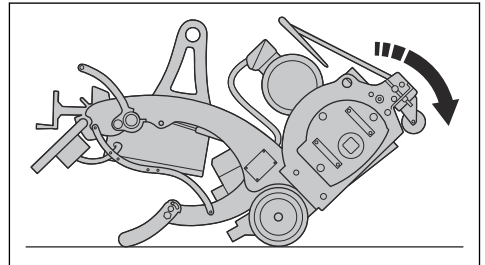
2. Deaktivieren Sie das Antriebssystem.



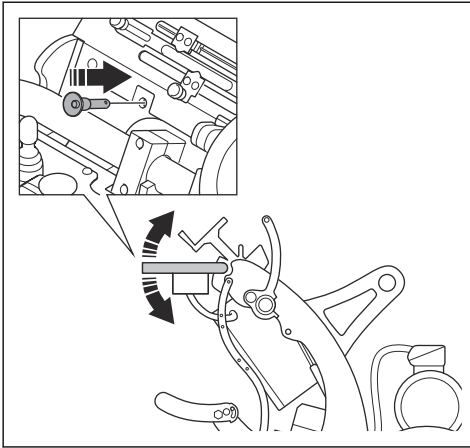
3. Drücken Sie die Handgriffe und die Fußstütze nach unten, um das Gerät zu neigen.



4. Senken Sie das Gerät vorsichtig ab. Die Vorderseite ist sehr schwer.



5. Installieren Sie die Lenksperre wieder.



So reinigen Sie das Gerät

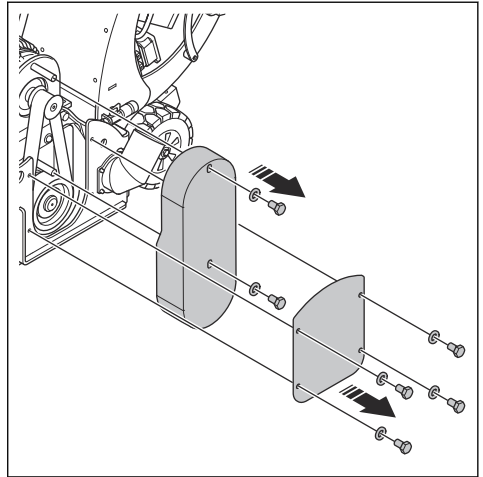
- Reinigen Sie immer die gesamte Ausstattung nach dem Gebrauch. Verwenden Sie einen Staubsauger.
- Reinigen Sie das Gerät nicht mit einem Hochdruckreiniger.
- Halten Sie die Luftöffnungen sauber und frei, um sicherzustellen, dass das Gerät immer eine ausreichend kühle Temperatur hat.
- Reinigen Sie die Werkzeugtrommel nach dem Betrieb auf feuchten Oberflächen.

So schmieren Sie das Lager

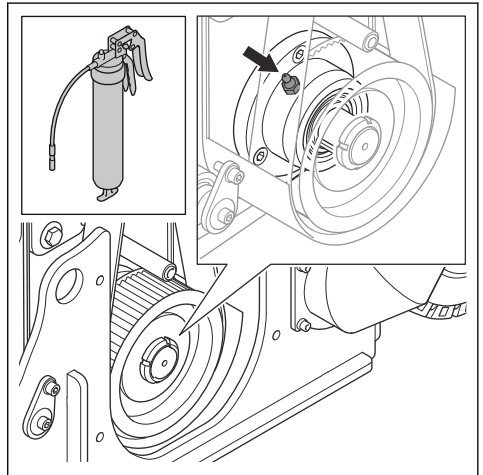


ACHTUNG: Verwenden Sie den korrekten Schmierfetttyp. Siehe *Technische Daten BMP 335 auf Seite 42*. Der falsche Schmierfetttyp kann zu Schäden am Lager führen.

1. Nehmen Sie die Treibriemenabdeckung ab.

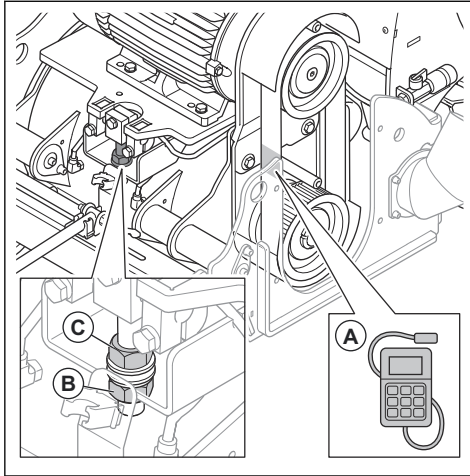


2. Drücken Sie 5–10 g Fett mit einer Schmierfettpistole in den Schmiernippel.



So prüfen Sie die Treibriemenspannung

1. Messen Sie die Spannung des Antriebsriemens im mittleren Bereich des Antriebsriemens (A). Die korrekte Spannung beträgt 105 Hz.



2. Wenn die Spannung des Antriebsriemens eingestellt werden muss, führen Sie die folgenden Schritte aus:
 - a) Lösen Sie die Mutter (B).
 - b) Drehen Sie die Mutter (C) im Uhrzeigersinn, um den Antriebsriemen festzuziehen.
 - c) Drehen Sie die Mutter (C) gegen den Uhrzeigersinn, um den Antriebsriemen zu lockern.
 - d) Ziehen Sie die Mutter (B) fest.

Fehlersuche

Problem	Ursache	Lösung
Zu starke Vibrationen und/oder ungewöhnliche Geräusche.	Die Werkzeuge sind verschlissen oder beschädigt.	Ersetzen Sie verschlissene oder beschädigte Teile.
	Das Lager ist defekt.	Prüfen Sie das Lager an der Achsantriebswelle und tauschen Sie es ggf. aus.
	Falsche Spannung des Treibriemens.	Prüfen Sie die Treibriemenspannung. Siehe <i>So prüfen Sie die Treibriemenspannung auf Seite 39</i> .
	Der Motor ist defekt.	Ersetzen Sie den Motor.
	Die Werkzeugtrommel ist auf eine zu große Betriebstiefe eingestellt.	Verringern Sie die Betriebstiefe.
Verringerte oder keine Leistung.	Die Werkzeuge sind verschlissen oder beschädigt.	Tauschen Sie die verschlissenen Teile aus.
	Der Werkzeugtyp ist für die Oberfläche nicht geeignet.	Ersetzen Sie die Werkzeuge durch die für die Oberfläche geeigneten Werkzeuge.

Problem	Ursache	Lösung
Der Motor startet nicht.	Eine Phase der Netzteils fehlt.	Das Netzteil überprüfen.
	Eine Phase des Netzteils ist nicht korrekt.	Stellen Sie die Phase ein.
	Die Not-Aus-Taste ist aktiviert.	Drehen Sie die Not-Aus-Taste im Uhrzeigersinn, um sie zu deaktivieren.
	Im Antriebssystem gibt es keinen Strom.	Starten Sie das Antriebssystem, und starten Sie dann den Trommelmotor.
	Eine Komponente ist defekt.	Ersetzen Sie die defekte Komponente.
	Die OPC ist nicht installiert.	Installieren Sie die OPC.
	Das Verlängerungskabel ist nicht angeschlossen oder beschädigt.	Das Verlängerungskabel anschließen oder ersetzen, falls erforderlich.
Das Gerät stoppt nach kurzer Zeit.	Der Motorschutzschalter wird aufgrund von Überlastung ausgelöst.	Verringern Sie die Schnitttiefe.
	Der Motor ist defekt.	Prüfen Sie den Motor.
Das Antriebssystem funktioniert nicht ordnungsgemäß.	Die Pedale des Antriebssystems sind nicht eingerastet.	Drücken Sie die Pedale des Antriebssystems.

Transport, Lagerung und Entsorgung

Transport



WARNUNG: Seien Sie beim Transport vorsichtig. Das Gerät ist schwer und kann Verletzungen oder Schäden verursachen, wenn es beim Transport umfällt oder sich bewegt.



ACHTUNG: Ziehen Sie vor dem Transport den Hubhebel. Die Werkzeuge dürfen während des Transports nicht den Boden berühren.

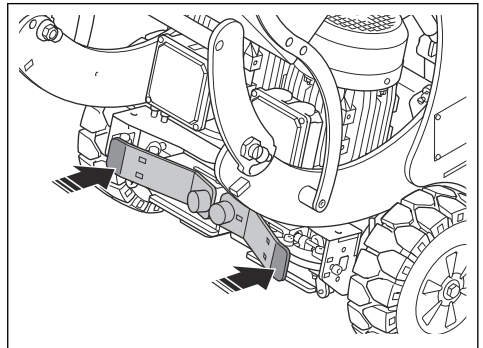


ACHTUNG: Ziehen Sie das Gerät nicht mit einem Fahrzeug.

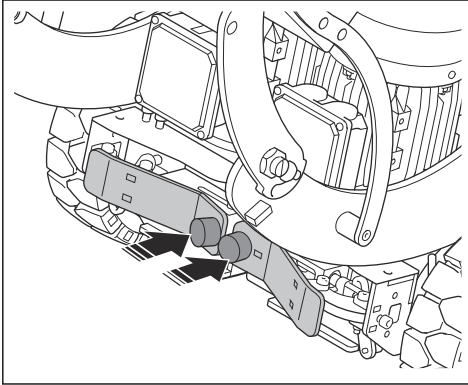
- Bei kürzeren Strecken können Sie das Gerät mit den Rädern manuell bewegen. Bei längeren Strecken heben Sie das Gerät an, um es zu bewegen, oder platzieren Sie es auf einem Fahrzeug.
- Schützen Sie das Gerät während des Transports. Durch diesen Schutz werden Naturelemente wie Regen und Schnee vom Gerät ferngehalten.

So deaktivieren und aktivieren Sie das Antriebssystem

1. Drücken Sie die äußeren Enden der Antriebssystempedale, um das Antriebssystem zu deaktivieren.



2. Drücken Sie die inneren Enden der Antriebssystempedale, um das Antriebssystem zu aktivieren.



So bewegen Sie das Gerät bei ausgeschaltetem Motor per Hand



WARNUNG: Warten Sie, bis alle beweglichen Teile still stehen, bevor Sie das Gerät bewegen.



WARNUNG: Tragen Sie Schutzstiefel mit Stahlkappen und rutschfesten Sohlen.



WARNUNG: Bewegen Sie das Gerät nicht manuell Steigungen auf und ab, während das Antriebssystem deaktiviert ist. Bewegen Sie das Gerät nur auf ebenem Untergrund per Hand.

1. Deaktivieren Sie das Antriebssystem. Siehe *So deaktivieren und aktivieren Sie das Antriebssystem auf Seite 40*.
2. Schieben Sie das Gerät an den Handgriffen.
3. Aktivieren Sie das Antriebssystem. Siehe *So deaktivieren und aktivieren Sie das Antriebssystem auf Seite 40*. Bei ausgeschaltetem Motor hat dies die Funktion einer Feststellbremse und verhindert eine versehentliche Bewegung des Geräts.

So bewegen Sie das Gerät eine Rampe hoch bzw. herunter



WARNUNG: Seien Sie besonders vorsichtig, wenn Sie das Gerät eine Rampe hoch- bzw. herunterbewegen. Das Gerät ist schwer und kann Verletzungen verursachen, wenn es umfällt oder zu schnell bewegt wird.



WARNUNG: Verwenden Sie bei Rampen mit steilem Gefälle immer eine Winde. Laufen bzw. stehen Sie nicht unterhalb oder in der Nähe des Geräts.

- Um das Gerät eine Rampe herunter zu bewegen, fahren Sie es langsam vorwärts.
- Um das Gerät eine Rampe hinauf zu bewegen, fahren Sie es langsam rückwärts.
- Drehen Sie das Gerät nicht um mehr als 45° nach links oder rechts auf einer Rampe.

So heben Sie das Gerät an



WARNUNG: Stellen Sie sicher, dass die Hebevorrichtung den korrekten Spezifikationen entspricht, um das Gerät sicher anheben zu können. Auf dem Typenschild des Geräts ist das Gerätegewicht angegeben.

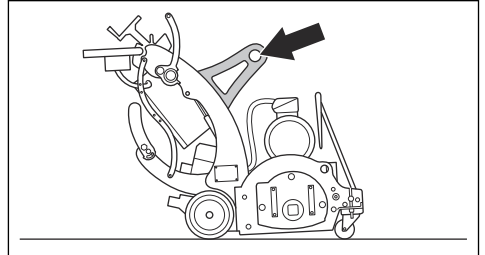


WARNUNG: Laufen bzw. stehen Sie nicht unterhalb oder in der Nähe eines hängenden Geräts. Halten Sie Unbeteiligte vom Arbeitsbereich fern.



WARNUNG: Heben Sie ein Gerät nicht an, wenn es beschädigt ist. Stellen Sie sicher, dass die Hebeöse richtig montiert und unbeschädigt ist.

1. Befestigen Sie die Hebeausrüstung an der Hebeöse.



2. Heben Sie das Gerät sicher an.

So befestigen Sie das Gerät auf einem Transportfahrzeug

1. Stellen Sie sicher, dass die Antriebsräder aktiviert sind. Siehe *So deaktivieren und aktivieren Sie das Antriebssystem auf Seite 40*.
2. Befestigen Sie die Zurrgurte in der Hebeöse und in den Öffnungen für die Zurrgurte. Siehe *Geräteübersicht auf Seite 23* für Informationen über die Positionen der Öffnungen für die Zurrgurte an Ihrem Gerät.

3. Befestigen Sie die Zurr Gurte am Transportfahrzeug und ziehen Sie sie fest.

- Bewahren Sie das Gerät in einem verschlossenen Bereich auf, um einen unerlaubten Zugriff durch Kinder oder andere Personen zu verhindern.

Lagerung



ACHTUNG: Lagern Sie das Gerät nicht im Freien. Lagern Sie das Gerät immer in einem Gebäude.

- Bewahren Sie das Gerät in an einem trockenen und frostfreien Bereich auf.
- Reinigen Sie das Gerät und führen Sie umfassende Wartungsarbeiten durch, bevor Sie es längere Zeit einlagern.

So entsorgen Sie das Gerät

- Befolgen Sie die örtlichen Recyclinganforderungen und geltenden Vorschriften.
- Wenn Sie das Gerät nicht mehr benutzen, senden Sie es an einen Husqvarna-Händler oder entsorgen Sie es bei einer Recyclingstelle.

Technische Daten BMP 335

	3 x 400 V, 50 Hz	3 x 480 V, 60 Hz
Motorleistung, kW	11+1,1	
Elektrischer Anschluss, V	3x400	3x480
Frequenz, Hz	50	60
Stromanschluss, Pol/A	5/32	
Stromverbrauch, A	19,6+3,4	
Arbeitsbreite, mm	335	
Drehzahl der Frästrommel, Min. ⁻¹	1000	
Lagerfetttyp	E08729	
Gewicht ohne Trommel, kg	442	
Geräuschemissionspegel ⁵	100	
Schalleistungspegel ⁶	114	
Vibrationspegel (Handgriff), m/s ² , ⁷	3,1	
Umgebungstemperatur, °C	-5-40	
Durchmesser Staubschlauchanschluss, mm	100	

Hinweis: Wenn für Ihr Gerät nicht in der Tabelle aufgeführte elektrische Spezifikationen erforderlich sind,

wenden Sie sich an eine Husqvarna-Servicewerkstatt für weitere Informationen.

Verlängerungskabel

Kabellänge	Querschnitt			
	≤ 16 A	≤ 32 A	≤ 63 A	≤ 125 A
Berechnet bei einer Vorsicherung GG ⁸ :	16 A	32 A	63 A	125 A

⁵ Messunsicherheit 3 dB(A)

⁶ Messunsicherheit 3 dB(A)

⁷ Messunsicherheit 1,5 m/s²

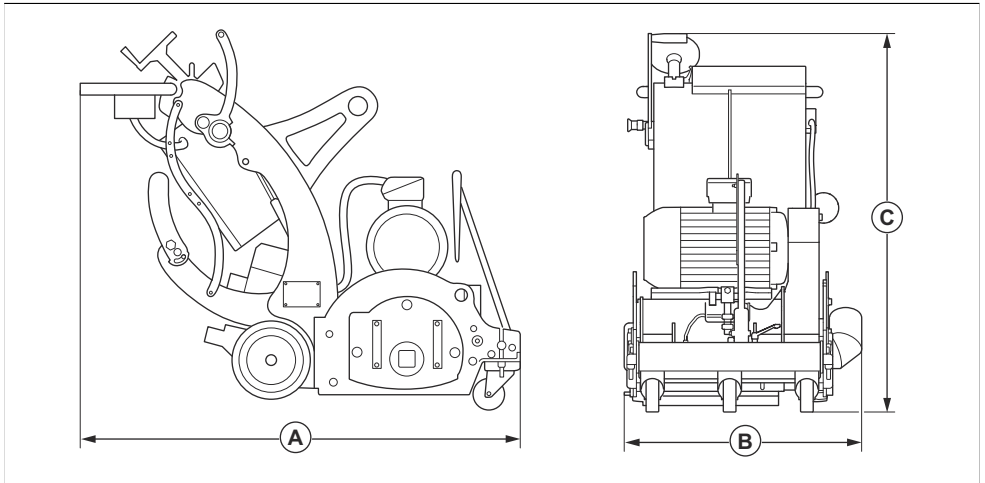
Kabellänge	Querschnitt			
	≤ 16 A	≤ 32 A	≤ 63 A	≤ 125 A
> 20m	1,5 mm ²	2,5 mm ²	10 mm ²	25 mm ²
20 m > 50 m	2,5 mm ²	4 mm ²	10 mm ²	25 mm ²
50m > 75m	4 mm ²	6 mm ²	16 mm ²	35 mm ²

Konformitätserklärung für Geräusche und Vibrationen

Diese erklärten Werte wurden in Laborversuchen in Übereinstimmung mit der aufgeführten Richtlinie oder Norm ermittelt und eignen sich für einen Vergleich mit Wertdeklarationen anderer Produkte, die nach der gleichen Richtlinie bzw. Norm geprüft wurden. Diese Wertdeklarationen eignen sich nicht

zur Verwendung in Risikobewertungen, zudem können die an einzelnen Arbeitsplätzen gemessenen Werte höher sein. Die tatsächlichen Belastungswerte und das Gefährdungsrisiko eines individuellen Benutzers sind immer spezifisch und davon abhängig, wie der Benutzer arbeitet, in welchem Material das Produkt eingesetzt wird, sowie von der Belastungszeit, dem Gesundheitszustand des Benutzers und dem Gerätezustand.

Gerätemaße



A	Länge, mm	1410
B	Breite, mm	750
D	Höhe, mm	1158

⁸ Die Querschnitte müssen neu berechnet werden, wenn andere Versicherungen verwendet werden als angegeben.

Konformitätserklärung

EU-Konformitätserklärung

Die Husqvarna AB, SE-561 82 Huskvarna,
Schweden, Tel.: +46- 36-146500, erklären in alleiniger
Verantwortung, dass das Gerät:

Beschreibung	Vertikutierer
Marke	Husqvarna
Typ/Modell	BMP 335
Identifizierung	Seriennummern ab 2022

die folgenden EU-Richtlinien und -Verordnungen erfüllt:

Richtlinie/Verordnung	Beschreibung
2006/42/EG	„Maschinenrichtlinie“
2014/30/EU	„EMV-Richtlinie“

und dass die folgenden Normen und/oder technischen
Daten angewendet werden;

EN ISO 12100:2010, EN 60204-1:2006

Partille, 2022-01-24



Martin Huber

R&D Director, Concrete Surfaces & Floors

Husqvarna AB, Construction Division

Verantwortlich für die technische Dokumentation



Sommaire

Introduction.....	45	Recherche de pannes.....	61
Sécurité.....	47	Transport, entreposage et mise au rebut.....	62
Utilisation.....	52	Caractéristiques techniques BMP 335.....	64
Entretien.....	57	Déclaration de conformité.....	66

Introduction

Description du produit

Le produit est un scarificateur à pousser fonctionnant avec un moteur électrique.

Utilisation prévue

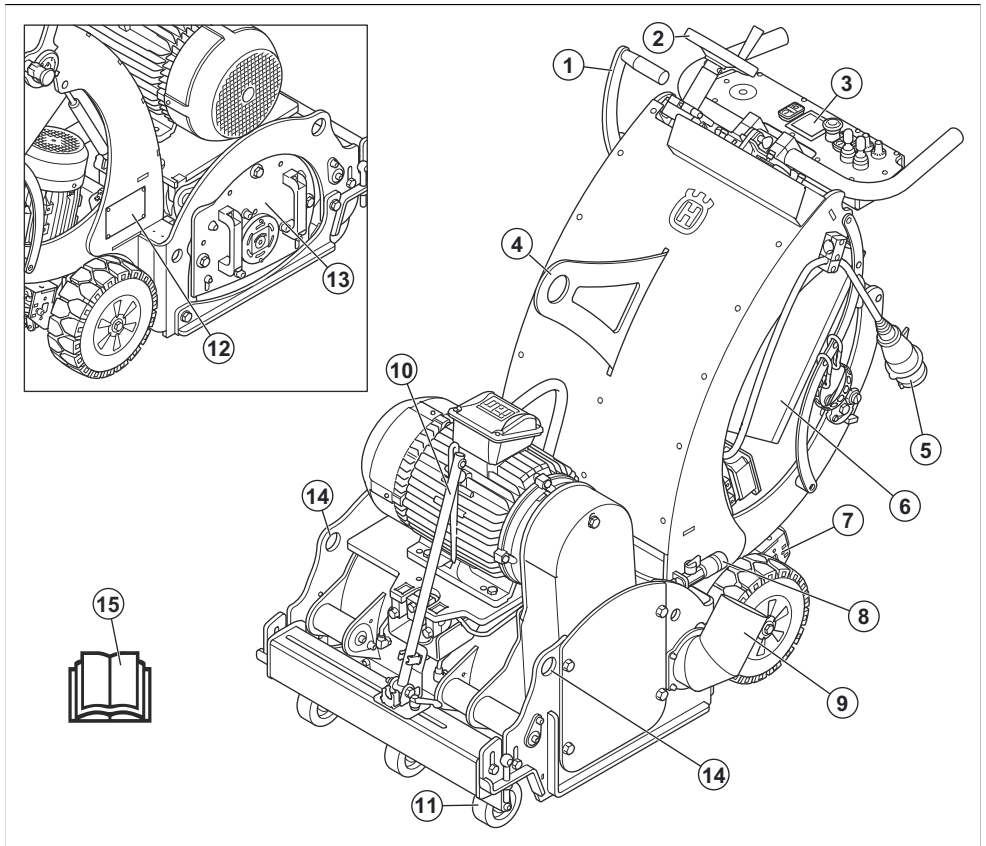
Ce produit est utilisé pour rendre les surfaces rugueuses et pour éliminer les couches et les marques sur la route.

Ce produit peut être utilisé sur des surfaces telles que le béton, l'asphalte, la pierre et l'acier.

Le produit est conçu pour un usage commercial par des opérateurs professionnels.

N'utilisez pas ce produit pour d'autres travaux.

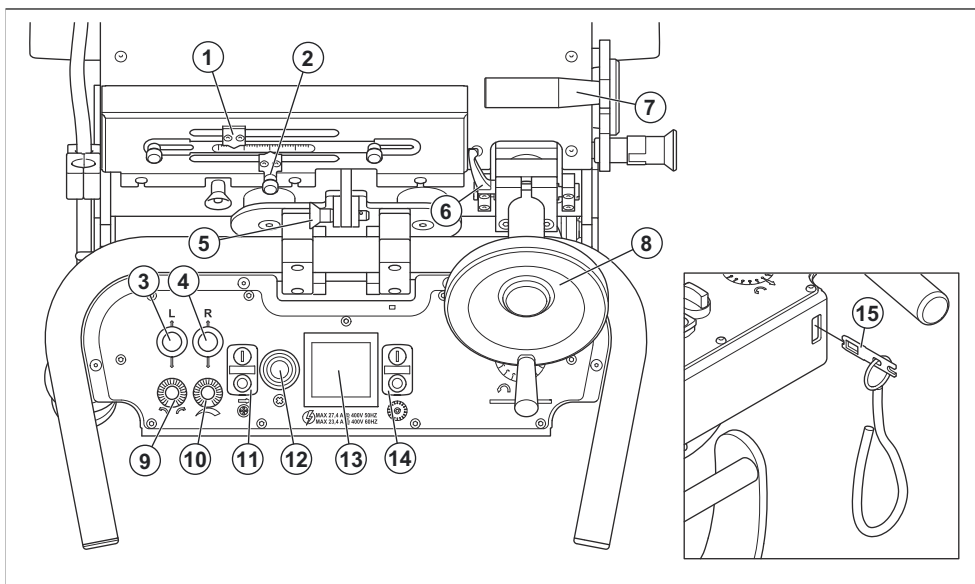
Aperçu du produit



1. Levier de levage
2. Molette de réglage de profondeur
3. Panneau de commande
4. Anneau de levage
5. Fiche d'alimentation
6. Boîtier électrique avec interrupteur principal
7. Pédale du système d'entraînement
8. Raccord d'eau
9. Raccord pour aspirateur industriel
10. Pointeur de direction
11. Roue avant
12. Plaque signalétique
13. Capot latéral
14. Trou pour sangle d'arrimage
15. Manuel d'utilisation

Remarque: S'il est nécessaire d'utiliser de l'eau pour l'opération prévue, contactez un atelier de réparation Husqvarna pour plus d'informations.

Aperçu du panneau de commande



1. Indicateur de réglage de la profondeur
2. Indicateur de profondeur manuel
3. Verrou de commande de marche avant/arrière de la roue motrice gauche
4. Levier de commande de marche avant/arrière de la roue motrice droite
5. Verrou de la direction
6. Verrou de la molette de réglage de la profondeur
7. Levier de levage
8. Molette de réglage de profondeur
9. Contrôle de suivi
10. Réglage de la vitesse
11. Boutons ON/OFF du moteur d'entraînement
12. Bouton d'arrêt d'urgence
13. Ampèremètre
14. Boutons ON/OFF du moteur de tambour

15. Contrôle de présence de l'opérateur (OPC)

Symboles concernant le produit



Avertissement : ce produit peut être dangereux et causer des blessures graves, voire mortelles, à l'opérateur ou à d'autres personnes. Soyez prudent et utilisez le produit correctement.



Haute tension.



Maintenez toutes les parties de votre corps à distance des surfaces chaudes.



Point de levage.



Éloignez vos mains des pièces rotatives.



Lisez avec attention le manuel d'utilisation et assurez-vous de bien comprendre les instructions avant d'utiliser ce produit.



Portez une protection respiratoire homologuée.



Utilisez des protège-oreilles homologués.



Utilisez des protections pour les yeux homologuées.



Utilisez des gants de protection homologués.



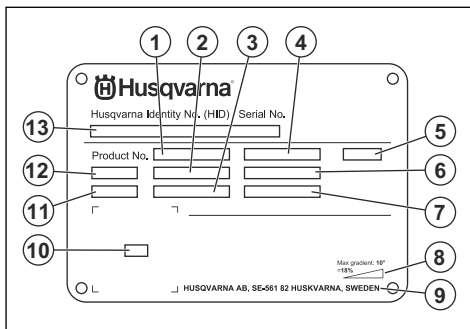
Utilisez des bottes de protection homologuées.



Ce produit est conforme aux directives de l'UE en vigueur.

Remarque: les autres symboles/autocollants présents sur le produit concernant des exigences de certification spécifiques à certains marchés.

Plaque signalétique



1. Référence de produit
2. Poids du produit
3. Puissance nominale
4. Tension nominale
5. Boîtier
6. Intensité nominale
7. Fréquence
8. Angle de pente maximal
9. fabricant
10. QR code
11. Année de production
12. Modèle
13. Numéro de série

Responsabilité

Conformément à la loi sur la responsabilité du fait des produits, nous déclinons toute responsabilité pour tout dommage causé par notre produit si :

- le produit n'est pas correctement réparé ;
- le produit est réparé avec des pièces qui ne proviennent pas du fabricant ou qui ne sont pas homologuées par le fabricant ;
- le produit est équipé d'un accessoire qui ne provient pas du fabricant ou qui n'est pas homologué par le fabricant ;
- le produit n'est pas réparé par un centre d'entretien agréé ou par une autorité homologuée.

Sécurité

Définitions de sécurité

Des avertissements, des recommandations et des remarques sont utilisés pour souligner des parties spécialement importantes du manuel.



AVERTISSEMENT: Symbole utilisé en cas de risque de blessures ou de mort pour l'opérateur ou les personnes à

proximité si les instructions du manuel ne sont pas respectées.



REMARQUE: Symbole utilisé en cas de risque de dommages pour le produit, d'autres matériaux ou les environs si les instructions du manuel ne sont pas respectées.

Remarque: Symbole utilisé pour donner des informations supplémentaires pour une situation donnée.

Instructions générales de sécurité



AVERTISSEMENT: Lisez les instructions qui suivent avant d'utiliser le produit.

- Ce produit est un outil dangereux si vous ne faites pas attention ou si vous l'utilisez de manière incorrecte. Ce produit peut causer des blessures graves, voire mortelles, à l'opérateur ou à d'autres personnes. Avant d'utiliser le produit, il convient de lire attentivement et de bien comprendre les instructions contenues dans ce manuel de l'opérateur.
- Conservez tous les avertissements de sécurité et toutes les instructions.
- Respectez l'ensemble des lois et réglementations applicables.
- L'opérateur et son employeur doivent connaître et éviter tout risque au cours de l'utilisation du produit.
- Ne laissez personne utiliser le produit avant d'avoir lu et compris le contenu du manuel de l'opérateur.
- N'utilisez pas le produit sauf si vous bénéficiez d'une formation préalable. Assurez-vous que tous les opérateurs suivent une formation.
- Ne laissez pas un enfant utiliser le produit.
- Seules les personnes autorisées peuvent utiliser le produit.
- L'utilisateur est tenu responsable des accidents auxquels il expose autrui ou ses biens.
- N'utilisez jamais l'appareil si vous êtes fatigué ou malade, ou si vous êtes sous l'emprise d'alcool, de drogues ou de médicaments.
- Soyez toujours prudent et utilisez votre bon sens.
- Ce produit génère un champ électromagnétique durant son fonctionnement. Ce champ peut dans certaines circonstances perturber le fonctionnement d'implants médicaux actifs ou passifs. Pour réduire le risque de blessures graves ou mortelles, nous recommandons aux personnes portant des implants médicaux de consulter leur médecin et le fabricant de leur implant avant d'utiliser cet appareil.
- Maintenez le produit propre. Assurez-vous que vous pouvez lire clairement les avertissements et les autocollants.
- N'utilisez pas le produit si celui-ci est défectueux.
- Ne modifiez pas ce produit.
- N'utilisez pas le produit s'il est susceptible d'avoir été modifié par d'autres personnes.

Instructions de sécurité pour le fonctionnement



AVERTISSEMENT: Lisez les instructions qui suivent avant d'utiliser le produit.

- Utilisez un équipement de protection individuel. Reportez-vous à *Équipement de protection individuel à la page 50*.
- Une exposition excessive aux vibrations peut entraîner des troubles circulatoires ou nerveux chez les personnes sujettes à des troubles cardiovasculaires. Consultez un médecin en cas de symptômes liés à une exposition excessive aux vibrations. Ces symptômes peuvent être les suivants : insensibilisation ou irritation locale, douleur, chatouillements, faiblesse musculaire, décoloration ou modification cutanée. Ces symptômes affectent généralement les doigts, les mains ou les poignets.
- N'utilisez pas le produit sans les caches de protection.
- Assurez-vous de savoir comment couper le moteur rapidement en cas d'urgence.
- avant de vous éloigner du produit, coupez le moteur et débranchez le cordon d'alimentation. Assurez-vous qu'il n'y a aucun risque de démarrage accidentel.
- Assurez-vous que des vêtements, cheveux longs et bijoux ne peuvent pas se coincer dans les pièces en mouvement
- Veillez à vous tenir dans une position stable et sûre pendant l'utilisation du produit.
- Utilisez uniquement le produit sur des surfaces horizontales.
- N'utilisez pas le produit si vous ne pouvez pas être secouru en cas d'accident
- Utilisez uniquement des accessoires homologués. Pour plus d'informations, contactez votre revendeur Husqvarna.
- Si des vibrations se produisent dans le produit ou si le niveau sonore du produit est anormalement élevé, arrêtez immédiatement le produit. Vérifiez que le produit n'est pas endommagé. Réparez les éventuels dommages ou demandez à un atelier spécialisé agréé de procéder aux réparations.
- Branchez le produit sur un aspirateur industriel pour éliminer la poussière.
- Ne tirez pas sur le tuyau de l'aspirateur industriel. Le produit peut tomber et causer des blessures et dommages.
- Laissez l'aspirateur industriel en marche jusqu'à l'arrêt complet du moteur.
- Utilisez le produit uniquement lorsque vous vous trouvez à l'arrière, avec les mains sur la poignée.
- Vérifiez l'absence d'huile ou de graisse sur les poignées.

Précautions relatives aux vibrations



AVERTISSEMENT: Lisez les instructions qui suivent avant d'utiliser le produit.

- Au cours de l'utilisation du produit, des vibrations sont ressenties entre le produit et l'opérateur. Un fonctionnement régulier et fréquent du produit peut blesser ou augmenter le risque de blessures graves chez l'opérateur. Des blessures peuvent se produire au niveau des doigts, des mains, des poignets, des bras, des épaules, et/ou des nerfs et des organes d'irrigation sanguine, ou d'autres parties du corps. Les blessures peuvent être invalidantes et/ou permanentes et peuvent augmenter progressivement pendant des semaines, des mois ou des années. Des dommages peuvent également être provoqués au niveau du système de circulation sanguine, du système nerveux, des articulations et d'autres parties du corps.
- Des symptômes peuvent se produire pendant le fonctionnement du produit ou à un autre moment. Si vous avez des symptômes et que vous continuez d'utiliser le produit, ceux-ci peuvent augmenter ou devenir permanents. Si l'un de ces symptômes ou d'autres symptômes se produisent, consultez un médecin :
 - engourdissement, perte de sensibilité, fourmillements, picotements, douleur, brûlure, palpitations, raideur, maladresse, faiblesse musculaire, changement de pigmentation de la peau ou de l'état physique.
- Les symptômes peuvent augmenter par temps froid. Utilisez des vêtements chauds et gardez les mains au chaud et au sec lorsque vous faites fonctionner le produit dans un environnement froid.
- Procédez à l'entretien et utilisez le produit comme indiqué dans le manuel d'utilisation afin de maintenir un bon niveau de vibrations.
- Le produit est doté d'un système anti-vibrations qui réduit les vibrations entre les poignées et l'opérateur. Laissez le produit faire le travail. N'appuyez pas fortement sur le produit. Tenez légèrement le produit au niveau des poignées, mais assurez-vous que vous pouvez le contrôler et l'utiliser en toute sécurité. Ne poussez pas les poignées dans les butées plus que nécessaire.
- Gardez uniquement les mains sur la ou les poignées. Éloignez toutes les autres parties du corps du produit.
- Arrêtez le produit immédiatement si de fortes vibrations se produisent soudainement. Ne poursuivez pas l'opération avant que la cause de l'augmentation des vibrations ait été supprimée.

Sécurité antipoussière



AVERTISSEMENT: Lisez les instructions qui suivent avant d'utiliser le produit.

- Le fonctionnement du produit peut générer de la poussière dans l'air. La poussière peut provoquer des blessures graves et des problèmes de santé irréversibles. Plusieurs organismes classent la poussière de silice parmi les poussières dangereuses. Voici quelques exemples de problèmes de santé pouvant être causés :
 - Maladies pulmonaires mortelles telles que la bronchite chronique, la silicose et la fibrose pulmonaire
 - Cancer
 - Anomalies congénitales
 - Inflammation de la peau.
- Utilisez un équipement adapté permettant de réduire la quantité de poussière et de fumées dans l'air et de diminuer la poussière présente sur les équipements de travail, les surfaces, les vêtements et les parties du corps. Par exemple, des systèmes de collecte de la poussière ainsi que des pulvérisateurs d'eau permettant de capter la poussière. Réduisez la quantité de poussière au niveau de la source, dans la mesure du possible. Assurez-vous que l'équipement est correctement installé et utilisé, et qu'un entretien régulier est effectué.
- Portez une protection respiratoire homologuée. Assurez-vous que la protection respiratoire est adaptée aux matériaux dangereux dans la zone de travail.
- Assurez-vous que la zone de travail est suffisamment aérée.

Sécurité relative au bruit



AVERTISSEMENT: Lisez les instructions qui suivent avant d'utiliser le produit.

- Des niveaux sonores élevés et une exposition prolongée au bruit peuvent provoquer une perte auditive.
- Afin de maintenir le niveau sonore au minimum, effectuez l'entretien et utilisez le produit comme indiqué dans le manuel d'utilisation.
- Utilisez des protège-oreilles homologués pendant l'utilisation du produit.
- Soyez attentif aux signaux d'alerte et aux appels lorsque vous portez des protège-oreilles. Retirez les protège-oreilles lorsque le produit est arrêté, sauf si les protège-oreilles sont nécessaires en raison du niveau sonore dans la zone de travail.

Équipement de protection individuel



AVERTISSEMENT: Lisez les instructions qui suivent avant d'utiliser le produit.

- Portez toujours un équipement de protection individuel homologué lorsque vous utilisez le produit. L'équipement de protection individuel ne protège pas complètement des blessures, mais il diminue la gravité des blessures en cas d'accident. Faites appel à votre revendeur pour vous aider à sélectionner l'équipement de protection individuel adéquat.
- Vérifiez régulièrement l'état de votre équipement de protection individuel.
- Utilisez un casque de protection homologué.
- Utilisez des protège-oreilles agréés.
- Portez une protection respiratoire homologuée.
- Utilisez des protections pour les yeux homologuées avec protections latérales.
- Utilisez des gants de protection.
- Utilisez des bottes avec embouts en acier et semelle antidérapante.
- Utilisez des vêtements de travail homologués ou des vêtements près du corps équivalents dotés de manches longues et d'un pantalon.

Extincteur

- Gardez un extincteur à proximité lors de l'utilisation du produit.
- Utilisez un extincteur à poudre ou un extincteur à gaz carbonique.

Sécurité dans la zone de travail



AVERTISSEMENT: Lisez les instructions qui suivent avant d'utiliser le produit.

- N'utilisez pas le produit en cas de brouillard, pluie, vents violents, risque de foudre ou autres conditions climatiques.
- N'utilisez pas ce produit dans des zones présentant un risque d'incendie ou d'explosion.
- Éloignez les animaux, les enfants et toute personne à l'écart de la zone de travail et à une distance de sécurité du produit.
- Assurez-vous que seules les personnes autorisées se trouvent dans la zone de travail.
- Veillez à ce que la zone de travail reste propre et suffisamment éclairée.
- Retirez les objets tels que les vis, les boulons, les câbles et les pierres de la zone de travail avant d'utiliser le produit.
- Assurez-vous qu'aucun câble ou tuyau n'est présent dans le sens de marche du produit.

- Assurez-vous qu'il y ait une circulation d'air suffisante dans la zone de travail.

Sécurité électrique



AVERTISSEMENT: les produits électriques présentent toujours un risque de choc. N'utilisez pas le produit dans de mauvaises conditions météorologiques. Ne touchez pas de paratonnerres ni d'objets métalliques. Utilisez toujours le produit comme indiqué dans ce manuel d'utilisation pour éviter les blessures.



AVERTISSEMENT: Utilisez toujours une alimentation avec RCD (disjoncteur différentiel). L'utilisation d'un RCD permet de réduire le risque de choc électrique.



AVERTISSEMENT: Haute tension. Il y a des pièces non protégées dans l'unité électrique. Débranchez toujours le produit de la prise de courant avant d'ouvrir la porte du boîtier électrique.



REMARQUE: L'alimentation électrique du produit ou du générateur doit être suffisamment puissante et constante pour que le moteur électrique puisse fonctionner sans problème. Une tension incorrecte provoque l'augmentation de la consommation d'énergie et de la température du moteur jusqu'au déclenchement du circuit de sécurité. Les dimensions du cordon d'alimentation doivent être conformes aux réglementations nationales et locales. Les dimensions de la prise secteur doivent être conformes à l'ampérage de la prise électrique et du câble de rallonge du produit.

Si la résistance du secteur est plus élevée, de brèves chutes de tension peuvent se produire lorsque le produit est démarré. Cela peut affecter le fonctionnement d'autres produits ; les lampes peuvent par exemple scintiller.

- Assurez-vous que la tension d'alimentation, des fusibles et du secteur est identique à celle indiquée sur la plaque signalétique du produit.
- Arrêtez toujours le produit avant de débrancher la prise de courant.
- N'utilisez pas le produit si le cordon d'alimentation ou la prise de courant sont endommagés. Confiez-le à un centre de service homologué pour réparation. Un cordon d'alimentation endommagé peut provoquer des blessures graves, voire mortelles.

- Utilisez le cordon d'alimentation correctement. N'utilisez pas le cordon d'alimentation pour déplacer, tirer ou débrancher le produit. Tirez sur la prise de courant pour débrancher le câble d'alimentation. Ne tirez pas le cordon d'alimentation.
- N'utilisez pas le produit dans un trou d'eau suffisamment profond pour mouiller l'équipement du produit. L'équipement peut être endommagé et le produit peut être mis sous tension et causer des blessures.
- N'ajoutez pas plus d'humidité au produit que celle fournie par le système d'eau. Tenez le produit à l'abri de la pluie. L'eau qui s'infiltre dans le produit augmente le risque de choc électrique.
- Débranchez toujours de cordon d'alimentation avant de brancher ou débrancher la connexion du câble du moteur et du boîtier électrique.

Instructions pour produit mis à la terre



AVERTISSEMENT: un mauvais branchement peut provoquer un choc électrique. Consultez un électricien homologué si vous n'êtes pas certain que votre prise secteur est correctement mise à la terre.

Ne modifiez pas la prise de courant par rapport à ses spécifications d'usine. Si la fiche d'alimentation ou le cordon d'alimentation est endommagé ou doit être remplacé, adressez-vous à votre agent d'entretien Husqvarna. Respectez la législation et les réglementations locales.

Si vous n'avez pas bien compris les instructions de mise à la terre du produit, consultez un électricien homologué.

Utilisez uniquement des rallonges d'extérieur mises à la terre ainsi que des fiches de terre et une prise de terre adaptées à la fiche du produit.

Le produit est équipé d'un cordon d'alimentation de mise à la terre et d'une prise de courant. Branchez systématiquement le produit sur une prise secteur mise à la terre. Cela permet de réduire le risque de choc électrique en cas de dysfonctionnement.

N'utilisez pas d'adaptateurs électriques avec le produit.

Rallonges

- Utilisez uniquement des rallonges homologuées d'une longueur suffisante.
- La valeur nominale sur la rallonge doit être identique ou supérieure à celle indiquée sur la plaque signalétique du produit.
- Utilisez des câbles de rallonge mis à la terre.
- Lorsque vous utilisez l'outil à l'extérieur, utilisez une rallonge adaptée à un usage extérieur. Cela réduit le risque de choc électrique.

- Maintenez la connexion de la rallonge au sec et au-dessus du sol.
- Maintenez la rallonge à l'écart de la chaleur, d'huile, de bords tranchants ou de pièces en mouvement. Un câble endommagé augmente le risque de choc électrique.
- Assurez-vous que la rallonge est en bon état et non endommagée.
- N'utilisez pas la rallonge lorsqu'elle est enroulée. Cela peut entraîner une surchauffe de la rallonge.
- Assurez-vous que la rallonge est derrière vous et derrière le produit lorsque vous utilisez le produit. Cela empêche toute dégradation de la rallonge.

Dispositifs de sécurité sur le produit



AVERTISSEMENT: Lisez les instructions qui suivent avant d'utiliser le produit.

- N'utilisez pas un produit avec des dispositifs de sécurité défectueux.
- Contrôlez les dispositifs de sécurité régulièrement. Si les dispositifs de sécurité sont défectueux, parlez-en à votre agent d'entretien Husqvarna.

Bouton d'arrêt d'urgence

Le bouton d'arrêt d'urgence permet d'arrêter rapidement le moteur.

Contrôle du bouton d'arrêt d'urgence

Reportez-vous à la section *Aperçu du panneau de commande à la page 46* pour connaître l'emplacement du bouton d'arrêt d'urgence sur votre produit.

1. Tournez le bouton d'arrêt d'urgence dans le sens des aiguilles d'une montre pour assurer qu'il est désengagé.
2. Faites démarrer le produit. Reportez-vous à la section *Pour démarrer le produit à la page 55*.
3. Appuyez sur le bouton d'arrêt d'urgence.
4. Assurez-vous que le moteur s'arrête.
5. Tournez le bouton d'arrêt d'urgence dans le sens des aiguilles d'une montre pour le désengager.

Contrôle de présence de l'opérateur (OPC)

Lorsque l'OPC est engagé, le moteur s'arrête. Reportez-vous à la section *Pour vérifier le contrôle de présence de l'opérateur (OPC) à la page 51*.

Pour vérifier le contrôle de présence de l'opérateur (OPC)

1. Faites démarrer le produit. Reportez-vous à *Pour démarrer le produit à la page 55*.
2. Retirez la clé OPC. Si le moteur ne s'arrête pas dans les 3 secondes, contactez un atelier spécialisé Husqvarna agréé.

Instructions de sécurité pour l'entretien



AVERTISSEMENT: Lisez les instructions qui suivent avant d'utiliser le produit.

- Utilisez un équipement de protection individuel. Reportez-vous à *Équipement de protection individuel à la page 50*.
- Effectuez uniquement les tâches d'entretien décrites dans le présent manuel d'utilisation. Laissez un atelier spécialisé agréé se charger de toutes les autres opérations d'entretien.
- Si l'entretien n'est pas effectué correctement et régulièrement, le risque de blessures et d'endommagement du produit augmente.
- Nettoyez le produit afin de retirer tout matériau dangereux avant de faire l'entretien.
- Avant de procéder à l'entretien, coupez le moteur, retirez le contrôle de présence de l'opérateur et débranchez la fiche d'alimentation.

- Effectuez l'entretien du produit sur un sol de niveau et stable.
- Ne modifiez pas le produit. Les modifications apportées au produit qui ne sont pas approuvées par le fabricant peuvent causer des blessures graves, voire mortelles.
- Remplacez les pièces endommagées, usées ou cassées.
- Utilisez toujours les accessoires et les pièces de rechange d'origine. Les accessoires et les pièces de rechange qui ne sont pas approuvés par le fabricant peuvent causer des blessures graves, voire mortelles.
- Après l'entretien, contrôlez le niveau de vibrations dans le produit. S'il n'est pas correct, contactez un atelier spécialisé agréé.
- Demandez à un atelier spécialisé d'effectuer régulièrement l'entretien du produit.

Utilisation

Introduction



AVERTISSEMENT: Avant d'utiliser le produit, vous devez lire et comprendre le chapitre sur la sécurité.

À faire avant d'utiliser le produit

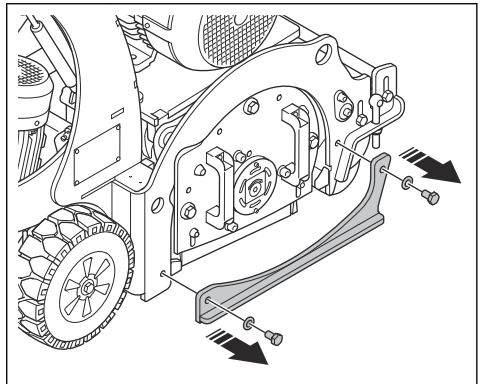
1. Lisez attentivement le manuel d'utilisation et assurez-vous de bien comprendre les instructions.
2. Lisez attentivement la section du manuel d'utilisation correspondant à l'aspirateur industriel et assurez-vous de bien comprendre les instructions.
3. Utilisez un équipement de protection individuel. Reportez-vous à *Équipement de protection individuel à la page 50*.
4. Assurez-vous que seules les personnes autorisées se trouvent dans la zone de travail.
5. Effectuez l'entretien quotidien. Reportez-vous à *Calendrier d'entretien à la page 58*.
6. Assurez-vous que le produit est correctement monté et qu'il n'est pas endommagé.
7. Placez le produit sur la zone de travail. Assurez-vous que la surface est de niveau. Assurez-vous que le transport du produit vers et dans la zone de travail est effectué correctement et en toute sécurité. Reportez-vous à *Transport à la page 62*.
8. Assurez-vous que la hauteur des roues avant est correctement réglée en fonction de l'utilisation. Reportez-vous à *Réglage de la hauteur des roues avant à la page 53*.
9. Assurez-vous que les outils ne heurtent pas le sol.

- a) Placez le levier de levage en position relevée.
- b) Tournez la molette de réglage de la profondeur dans le sens des aiguilles d'une montre.

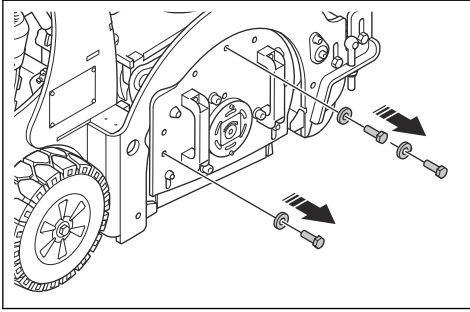
10. Branchez un aspirateur industriel sur le produit. Reportez-vous à *Pour brancher un aspirateur industriel à la page 54*.
11. Branchez le produit à une source d'alimentation. Reportez-vous à *Branchement du produit à une source d'alimentation à la page 55*.
12. Assurez-vous que la hauteur des brosses sous le carter du tambour est adaptée à la profondeur de travail. Si nécessaire, desserrez les écrous, réglez la hauteur et resserrez les écrous.

Installation du tambour de scarification

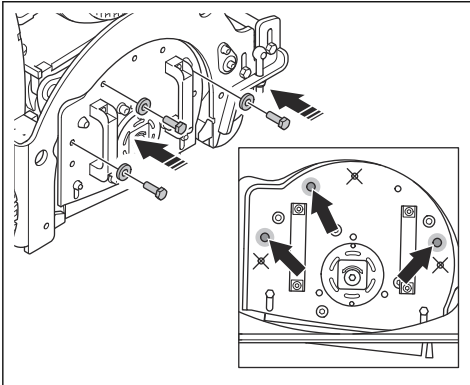
1. Retirez la plaque de support.



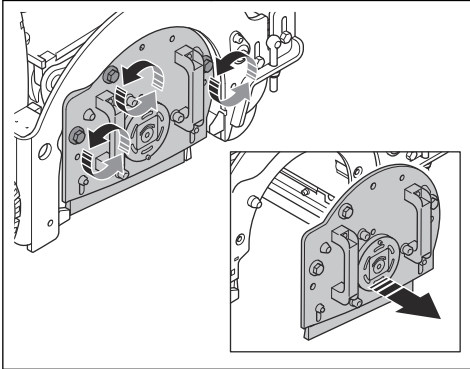
2. Retirez les vis et les rondelles du capot latéral.



3. Posez les vis avec les rondelles dans les trous adjacents.

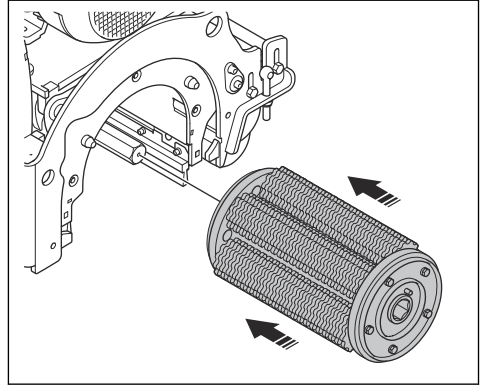


4. Tournez les vis pour retirer le capot latéral.

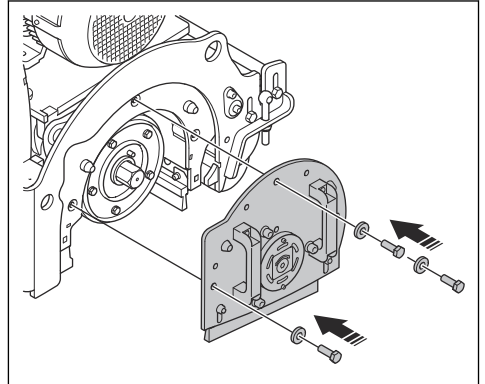


Remarque: Lorsque le capot latéral est retiré, l'essieu est relâché.

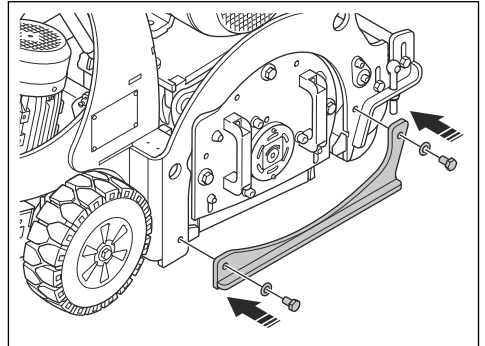
5. Posez le tambour de scarification sur l'essieu.



6. Posez le capot latéral.



7. Posez la plaque de support.

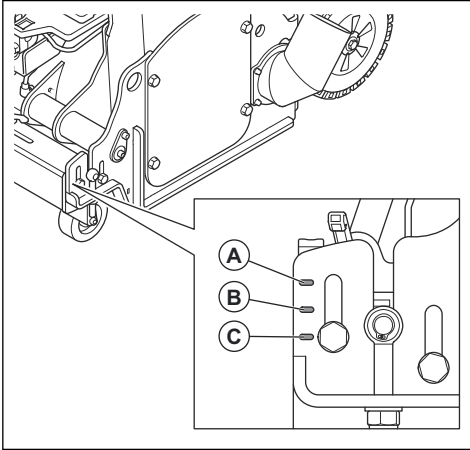


8. Contrôlez la tension de la courroie d'entraînement. Reportez-vous à *Contrôle de la tension de la courroie d'entraînement* à la page 61.

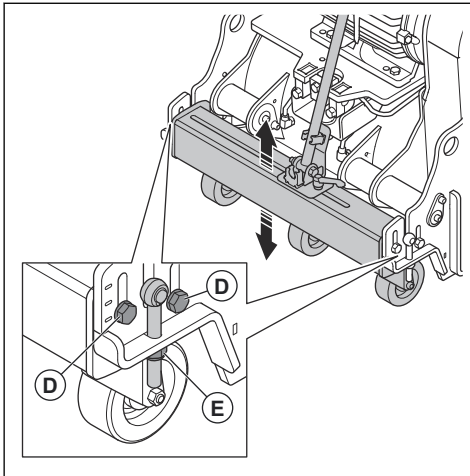
Réglage de la hauteur des roues avant

La position standard est (B). La position (A) convient pour une utilisation à la profondeur maximale. La

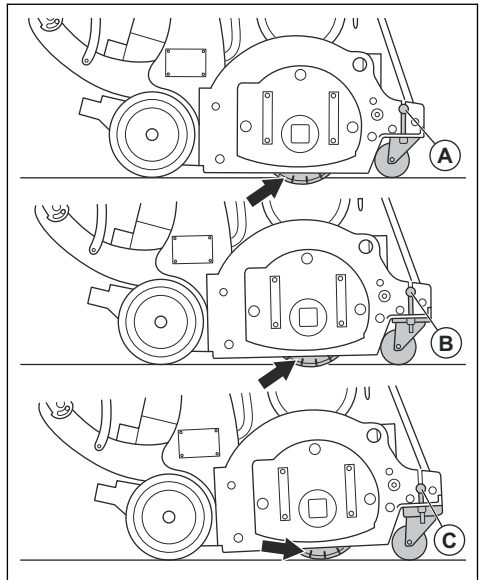
position (C) convient pour une utilisation à la profondeur minimale.



1. Desserrez les boulons (D) de chaque côté de la barre des roues avant.



2. Tournez l'écrou (E) pour régler à la bonne hauteur.
3. Resserrez les boulons (D) de chaque côté de la barre des roues avant.



Pour brancher un aspirateur industriel

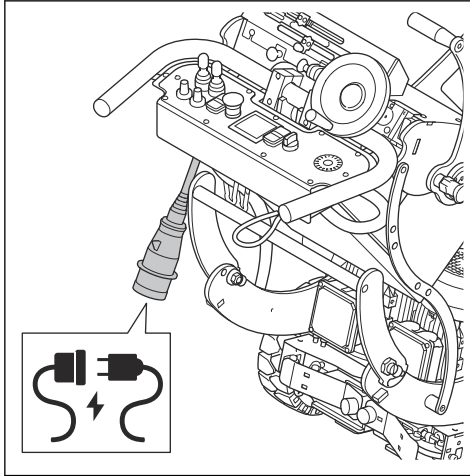


AVERTISSEMENT: N'utilisez pas l'aspirateur industriel si son tuyau est endommagé. L'utilisation d'un tuyau endommagé accroît le risque d'inhalation de poussière nocive pour votre santé. Portez une protection respiratoire homologuée.

1. Vérifiez que le tuyau de l'aspirateur industriel n'est pas endommagé.
2. Assurez-vous que les filtres de l'aspirateur industriel sont en bon état et propres.
3. Raccordez le flexible de l'aspirateur industriel sur le raccord de l'aspirateur industriel. Reportez-vous à la section *Aperçu du produit à la page 45* pour connaître l'emplacement du raccord de l'aspirateur industriel sur votre produit.

Branchement du produit à une source d'alimentation

1. Branchez la fiche d'alimentation du produit sur un câble de rallonge adapté.



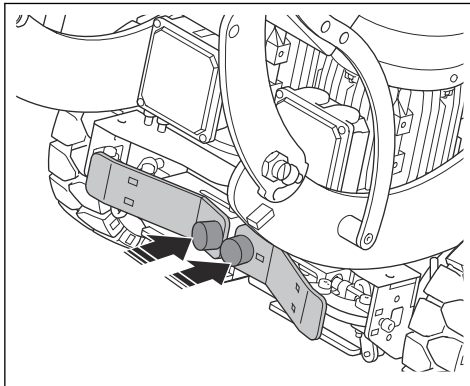
2. Branchez le câble de rallonge à une prise secteur.



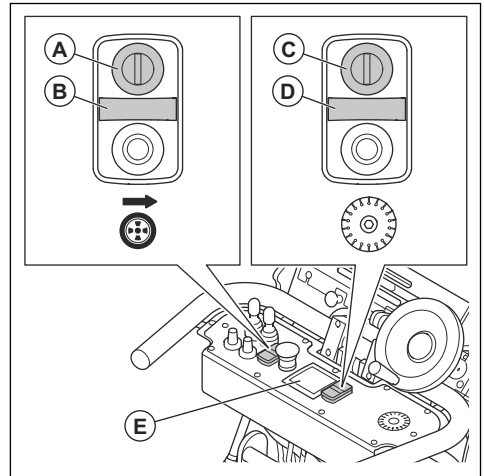
REMARQUE: Lorsque le produit est connecté à un aspirateur industriel, ce dernier doit être connecté à une source d'alimentation triphasée.

Pour démarrer le produit

1. Mettez l'aspirateur industriel en marche.
2. Placez le cordon de contrôle de présence de l'opérateur autour de votre poignet droit.
3. Appuyez sur les pédales du système d'entraînement pour engager le système d'entraînement.



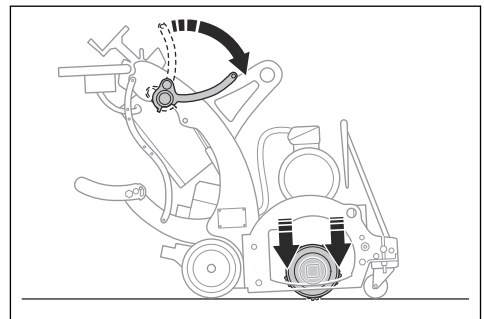
4. Tournez le bouton d'arrêt d'urgence situé sur le panneau de commande dans le sens des aiguilles d'une montre pour vous assurer qu'il est désengagé.
5. Placez l'interrupteur principal du boîtier électrique sur la position ON.
6. Placez les leviers de commande en position neutre.
7. Appuyez sur le bouton ON du moteur d'entraînement (A). Le voyant (B) s'allume lorsque le moteur d'entraînement est alimenté.



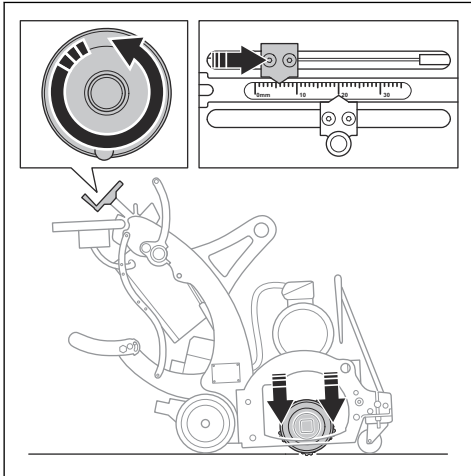
8. Appuyez sur le bouton ON du moteur de tambour (C). Le voyant (D) s'allume lorsque le moteur de tambour est alimenté.

Remarque: Le moteur de tambour ne peut pas démarrer si le système d'entraînement n'est pas activé.

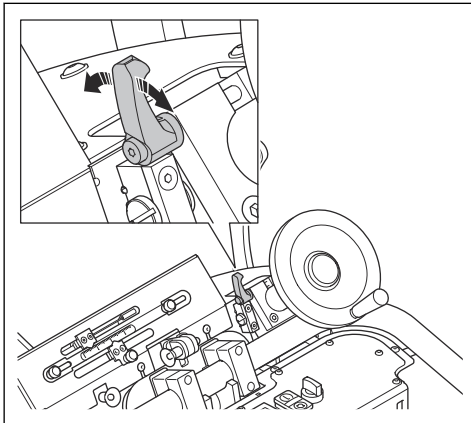
9. Patientez 10 à 15 secondes que la couleur de l'écran (E) passe du rouge au blanc.
10. Abaissez lentement le levier de levage pour abaisser le tambour de l'outil au sol.



11. Tournez la molette de réglage de la profondeur dans le sens contraire des aiguilles d'une montre jusqu'à ce que la profondeur soit correcte en fonction de l'utilisation.

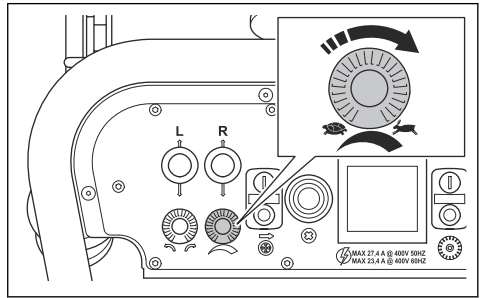


12. Tournez le verrou de la molette de réglage de la profondeur pour verrouiller la profondeur de travail.



- a) Tournez le verrou pour déverrouiller à nouveau la molette de réglage de la profondeur et effectuer d'autres réglages de la profondeur de travail.

13. Tournez le bouton de réglage de la vitesse pour régler la vitesse d'entraînement.

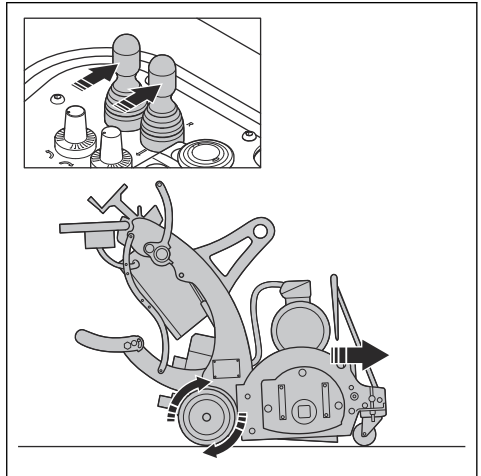


Pour utiliser le produit



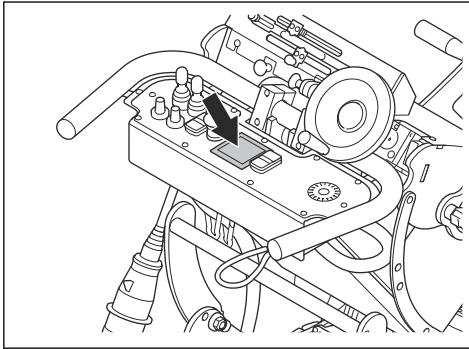
AVERTISSEMENT: Ce produit est destiné à une utilisation vers l'avant uniquement. Ne déplacez pas le produit vers l'arrière lorsque le tambour de l'outil est en fonctionnement.

- Poussez les leviers de commande pour déplacer le produit.



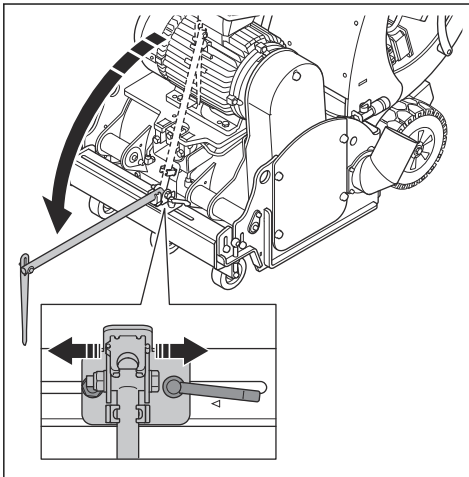
- Réglez la profondeur si nécessaire. Un tour complet de la molette de réglage de la profondeur permet de modifier la profondeur de 1,1 mm.

- Surveillez l'ampèremètre pendant le fonctionnement. L'ampérage maximal pour chaque type de moteur est le suivant :



- a) Pour les moteurs de type 3 x 400 V, 50 Hz : 19,6 A.
- b) Pour les moteurs de type 3 x 480 V, 60 Hz : 16,6 A.

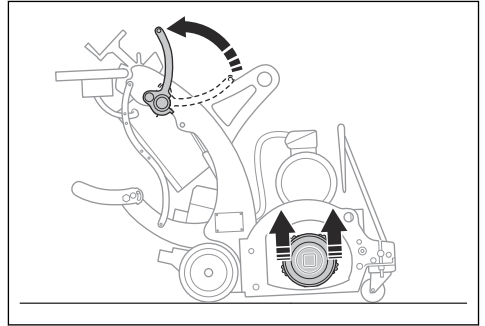
- Pour faciliter le déplacement en ligne droite, repliez le pointeur de direction.



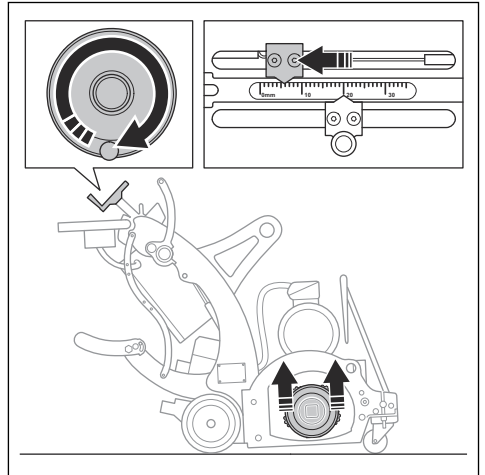
Remarque: Le pointeur de direction peut être réglé latéralement.

Pour arrêter le produit

1. Tirez le levier de levage vers le haut.



2. Tournez la molette de réglage de la profondeur jusqu'à ce que le tambour de l'outil ne touche plus le sol.



3. Appuyez sur le bouton OFF du moteur d'entraînement et sur le bouton OFF du moteur de tambour.
4. Attendez que toutes les pièces mobiles soient complètement arrêtées.
5. Arrêtez l'aspirateur industriel.
6. Débranchez la fiche d'alimentation électrique.

Entretien

Introduction



AVERTISSEMENT: Avant d'effectuer des travaux d'entretien, vous devez lire et comprendre le chapitre sur la sécurité.

Une formation spécifique est nécessaire pour effectuer tous les travaux d'entretien et de réparation du produit. Nous garantissons qu'il vous est possible d'obtenir des services de réparation et d'entretien effectués par des professionnels. Si votre concessionnaire n'est pas un atelier spécialisé, demandez-lui des informations à propos de l'atelier spécialisé le plus proche.

Calendrier d'entretien

* = Entretien général effectué par l'opérateur. Les instructions ne sont pas mentionnées dans ce manuel d'utilisation.

X = Les instructions sont mentionnées dans ce manuel d'utilisation.

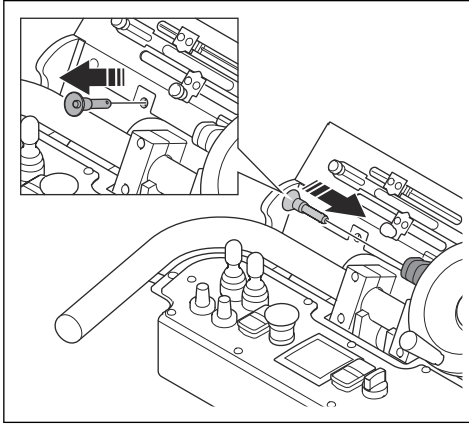
O = Les instructions ne sont pas mentionnées dans ce manuel d'utilisation. Faites réaliser l'entretien par un agent d'entretien agréé.

Entretien général du produit	Tous les jours	12 h après l'entretien	Tous les 3 mois	Une fois par an
Nettoyez le produit.	X			
Contrôlez les dispositifs de sécurité.	X			
Assurez-vous que les écrous et les vis sont serrés.	*	*		
Examinez le tambour de l'outil, l'axe du tambour, les outils et le carter à la recherche de signes d'usure.	*			
assurez-vous que la fiche d'alimentation et le câble de rallonge sont en bon état et non endommagés.	*			
Effectuez un contrôle du RCD.	*			
Vérifiez que les composants électriques, les câbles et les raccords ne sont pas usés ou endommagés.	*			
Contrôlez la tension de la courroie d'entraînement.	X		X	
Assurez-vous que le tuyau à poussière n'est pas endommagé ni obstrué.	*			
Videz l'aspirateur industriel.	*			
Lubrifiez le roulement.			X	
Examinez les brosses sous le carter du tambour à la recherche de signes d'usure.			*	
Effectuez un entretien et un nettoyage complets du produit.				O

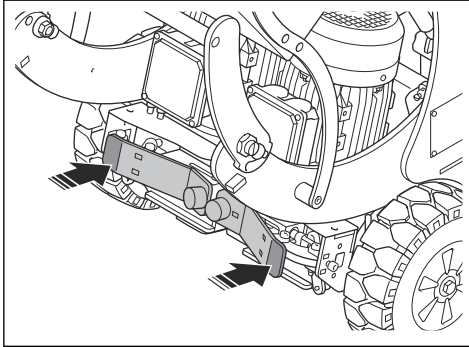
Inclinaison du produit vers l'arrière

Pour certains travaux d'entretien, il est nécessaire d'incliner le produit vers l'arrière afin de pouvoir accéder au tambour de l'outil.

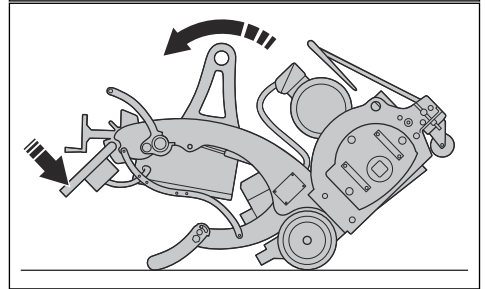
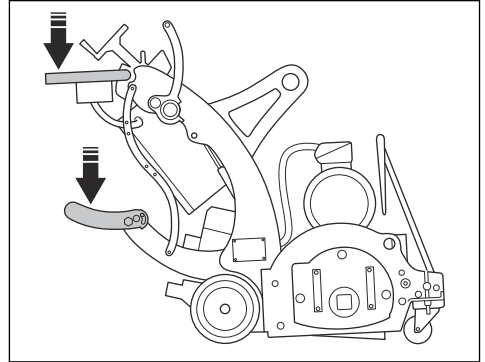
1. Relâchez le verrou de la direction au niveau du panneau de commande.



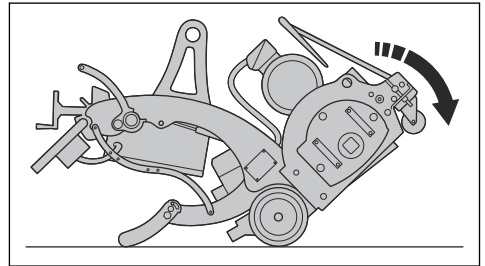
2. Désengagez le système d'entraînement.



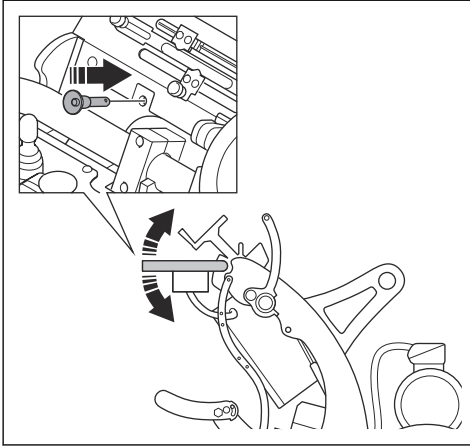
3. Appuyez sur les poignées et la béquille pour incliner le produit.



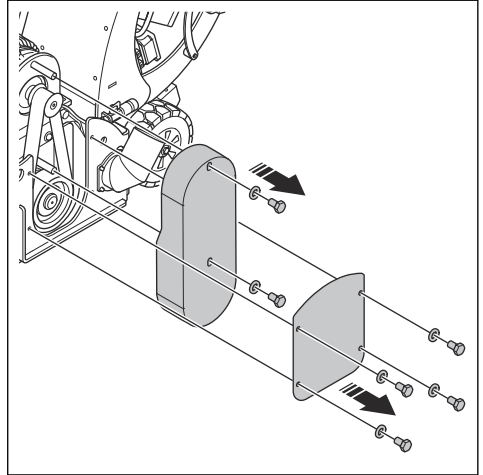
4. Abaissez le produit avec précaution. L'avant est très lourd.



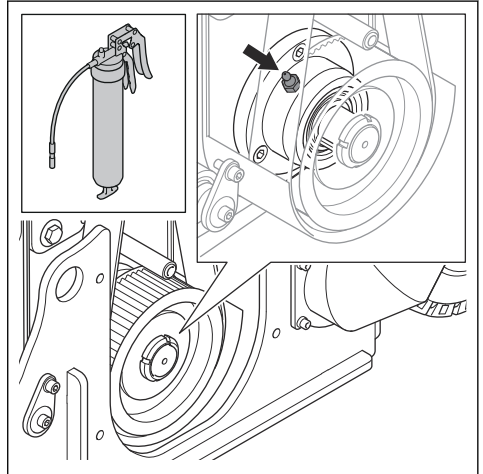
5. Remettez le verrou de la direction en place.



1. Retirez le carter de courroie d'entraînement.



2. Introduisez 5 à 10 g de graisse dans le graisseur à l'aide d'un pistolet à graisse.



Nettoyage du produit

- Nettoyez toujours tout l'équipement après utilisation. Utilisez un aspirateur.
- N'utilisez pas de nettoyeur haute pression pour nettoyer le produit.
- Maintenez les ouvertures d'air propres et dégagées pour garantir que le produit est toujours suffisamment frais.
- Nettoyez le tambour de l'outil après utilisation sur des surfaces humides.

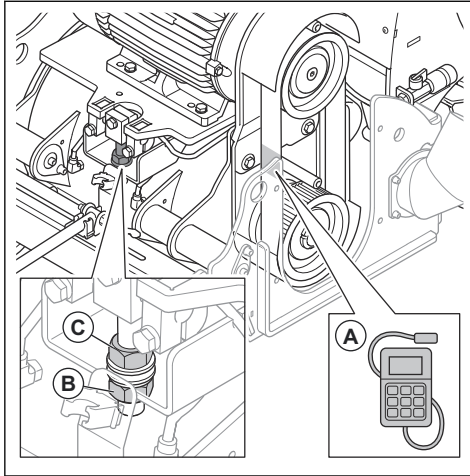
Lubrification du roulement



REMARQUE: Utilisez le type de graisse approprié. Reportez-vous à *Caractéristiques techniques BMP 335 à la page 64*. L'utilisation d'un type de graisse inapproprié risque d'endommager le roulement.

Contrôle de la tension de la courroie d'entraînement

1. Mesurez la tension de la courroie d'entraînement au centre de la plage de la courroie d'entraînement (A). La tension correcte est de 105 Hz.



2. S'il est nécessaire de régler la tension de la courroie d'entraînement, procédez comme suit :
 - a) Desserrez l'écrou (B).
 - b) Tournez l'écrou (C) dans le sens des aiguilles d'une montre pour serrer la courroie d'entraînement.
 - c) Tournez l'écrou (C) dans le sens contraire des aiguilles d'une montre pour desserrer la courroie d'entraînement.
 - d) Serrez l'écrou (B).

Recherche de pannes

Problème	Cause	Solution
Trop de vibrations et/ou de bruits inhabituels.	Les outils sont usés ou endommagés.	Remplacez les pièces usées ou endommagées.
	Le roulement est défectueux.	Vérifiez l'usure de l'axe de l'arbre d'entraînement et remplacez-le si nécessaire.
	Tension de la courroie d'entraînement incorrecte.	Contrôlez la tension de la courroie d'entraînement. Reportez-vous à <i>Contrôle de la tension de la courroie d'entraînement à la page 61</i> .
	Le moteur est défectueux.	Remplacez le moteur.
	Le tambour de l'outil est réglé selon une profondeur de travail trop importante.	Réduisez la profondeur de travail.
Diminution ou absence de performances.	Les outils sont usés ou endommagés.	Remplacez les pièces usées.
	Le type d'outils est incorrect pour la surface.	Remplacez les outils par des outils adaptés à la surface.

Problème	Cause	Solution
Le moteur ne démarre pas.	Une phase de l'alimentation électrique est manquante.	Contrôlez l'alimentation électrique.
	Une phase de l'alimentation électrique est incorrecte.	Réglez la phase.
	Le bouton d'arrêt d'urgence est engagé.	Tournez le bouton d'arrêt d'urgence dans le sens des aiguilles d'une montre pour le dés-engager.
	Il n'y a pas de courant dans le système d'entraînement.	Démarrez le système d'entraînement, puis le moteur de tambour.
	Un composant est défectueux.	Remplacez le composant défectueux.
	L'OPC n'est pas installé.	Installez l'OPC.
	La rallonge est débranchée ou endommagée.	Branchez la rallonge ou, si nécessaire, remplacez-la.
Arrêt du produit après un court instant.	Le disjoncteur du moteur se déclenche en raison d'une surcharge.	Réduisez la profondeur de coupe.
	Le moteur présente un défaut.	Vérifiez le moteur.
Le système d'entraînement ne fonctionne pas correctement.	Les pédales du système d'entraînement ne sont pas engagées.	Enfoncez les pédales du système d'entraînement.

Transport, entreposage et mise au rebut

Transport



AVERTISSEMENT: soyez prudent lors du transport. Le produit est lourd et peut provoquer des blessures ou être endommagé en cas de chute ou de déplacement lors du transport.



REMARQUE: tirez le levier de levage avant le transport. Les outils ne doivent pas toucher le sol pendant le transport.

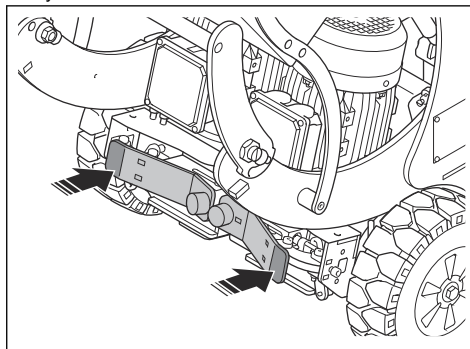


REMARQUE: ne remorquez pas le produit derrière un véhicule.

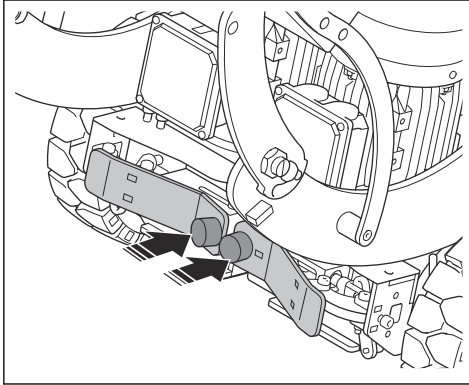
- Les roues vous permettent de déplacer le produit sur de courtes distances. Pour de longues distances, soulevez le produit pour le déplacer ou le placer sur un véhicule.
- Placez une protection sur le produit pendant le transport. La protection permet que le produit n'entre pas en contact avec des éléments naturels, comme la pluie et la neige.

Engagement et désengagement du système d'entraînement

1. Appuyez sur les bords extérieurs des pédales du système d'entraînement pour désengager le système d'entraînement.



- Appuyez sur les bords intérieurs des pédales du système d'entraînement pour engager le système d'entraînement.



Déplacement du produit manuel avec le moteur à l'arrêt



AVERTISSEMENT: attendez que toutes les pièces mobiles soient immobilisées avant de déplacer le produit.



AVERTISSEMENT: portez des bottes de protection avec coquille en acier et des semelles antidérapantes.



AVERTISSEMENT: Ne faites pas monter et descendre le produit sur des rampes manuellement lorsque le système d'entraînement est désengagé. Déplacez le produit manuellement uniquement sur une surface plane.

- Désengagez le système d'entraînement. Reportez-vous à *Engagement et désengagement du système d'entraînement à la page 62*.
- Poussez le produit par les poignées.
- Engagez le système d'entraînement. Reportez-vous à *Engagement et désengagement du système d'entraînement à la page 62*. Lorsque le moteur est coupé, cela permet de bénéficier d'une fonction équivalente à celle d'un frein de stationnement et d'empêcher tout déplacement accidentel du produit.

Montée et descente du produit avec une rampe



AVERTISSEMENT: Soyez très prudent lorsque vous faites monter et descendre le produit sur des rampes. Le produit est lourd et il y a un risque de

blessure si le produit tombe ou se déplace trop rapidement.



AVERTISSEMENT: Pour les rampes à pente raide, utilisez toujours un treuil. Ne marchez pas sur le produit et ne restez en dessous ou à proximité.

- Pour faire descendre le produit d'une rampe, déplacez-le lentement vers l'avant.
- Pour faire monter le produit sur une rampe, déplacez-le lentement vers l'arrière.
- Ne faites pas pivoter le produit vers la gauche ou vers la droite à plus de 45° sur une rampe.

Pour lever le produit



AVERTISSEMENT: Assurez-vous que l'équipement de levage présente la bonne spécification afin de soulever le produit en toute sécurité. La plaque signalétique sur le produit indique le poids du produit.

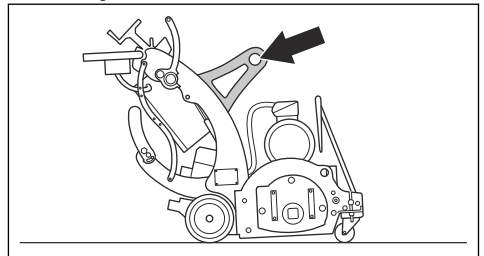


AVERTISSEMENT: ne marchez pas sur un produit soulevé et ne restez en dessous ou à proximité. Éloignez les personnes présentes de la zone de travail.



AVERTISSEMENT: Ne soulevez pas un produit endommagé. Vérifiez que le boulon de levage est bien fixé et en bon état.

- Fixez l'équipement de levage au niveau de l'anneau de levage.



- Soulevez le produit de manière sécurisée.

Fixation du produit pour le transport

- Assurez-vous que les roues motrices sont engagées. Reportez-vous à *Engagement et désengagement du système d'entraînement à la page 62*.

2. Fixez les sangles d'arrimage à l'anneau de levage et dans les trous dédiés. Reportez-vous à *Aperçu du produit à la page 45* pour connaître l'emplacement des trous pour les sangles d'arrimage sur votre produit.
3. Fixez les sangles d'arrimage sur le véhicule de transport et serrez-les.

- Nettoyez le produit et effectuez un entretien complet avant de remiser le produit.
- Conservez le produit dans un endroit verrouillé afin que des enfants ou personnes qui ne sont pas autorisées à l'utiliser ne puissent pas y avoir accès.

Remisage



REMARQUE: N'entreposez pas le produit à l'extérieur. Gardez toujours le produit à l'intérieur.

- Conservez le produit dans un endroit sec et à l'abri du gel.

Mise au rebut du produit

- Respectez les consignes locales de recyclage et la réglementation en vigueur.
- Lorsque vous n'utilisez plus le produit, renvoyez-le au concessionnaire Husqvarna ou mettez-le au rebut dans une déchetterie.

Caractéristiques techniques BMP 335

	3 x 400 V, 50 Hz	3 x 480 V, 60 Hz
Puissance du moteur, kW	11+1,1	
Raccordement électrique, V	3 x 400	3 x 480
Fréquence, Hz	50	60
Connecteur d'alimentation, pôle/A	5/32	
Consommation en ampères, A	19,6+3,4	
Largeur de fonctionnement, mm	335	
Vitesse de rotation du tambour du scarificateur, min ⁻¹	1 000	
Type de graisse pour roulement	E08729	
Poids sans le tambour, kg	442	
Niveau d'émissions sonores ⁹	100	
Niveau de puissance sonore ¹⁰	114	
Niveau de vibrations (poignée), m/s ² , ¹¹	3,1	
Température ambiante, °C	-5-40	
Diamètre du raccord du tuyau à poussière, mm	100	

Remarque: Si votre produit correspond à des spécifications électriques qui ne figurent pas dans le

tableau, contactez un atelier de réparation Husqvarna pour plus d'informations.

⁹ Incertitude 3 dB(A).

¹⁰ Incertitude 3 dB(A).

¹¹ Incertitude 1,5 m/s²

Rallonges

Longueur du câble	Section transversale			
	≤ 16 A	≤ 32 A	≤ 63 A	≤ 125 A
Calculé au niveau d'un pré-fusible GG ¹² :	16 A	32 A	63 A	125 A
> 20 m	1,5 mm ²	2,5 mm ²	10 mm ²	25 mm ²
20 m > 50 m	2,5 mm ²	4 mm ²	10 mm ²	25 mm ²
50 m > 75 m	4 mm ²	6 mm ²	16 mm ²	35 mm ²

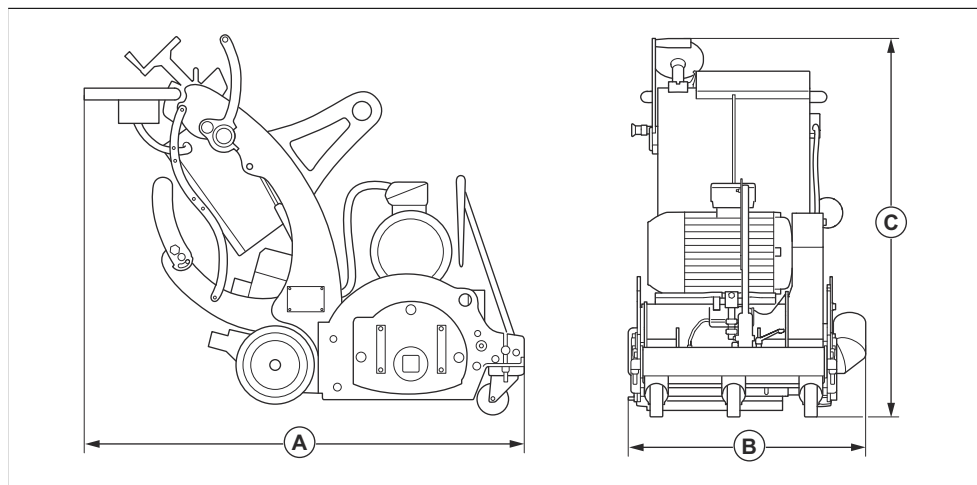
Déclaration relative au bruit et aux vibrations

Ces valeurs déclarées ont été obtenues grâce à des essais types effectués en laboratoire conformément à la directive ou aux normes mentionnées. Elles conviennent à l'établissement d'une comparaison avec les valeurs déclarées d'autres produits testés conformément aux mêmes normes ou à la même directive. Ces valeurs

ne sont pas adaptées à une utilisation à des fins d'évaluations des risques ; les valeurs mesurées dans différents lieux de travail peuvent être plus élevées.

Les valeurs d'exposition réelles et les risques de blessures rencontrés par chaque utilisateur sont uniques et dépendent de la manière dont l'utilisateur travaille, dans quel matériau le produit est utilisé, mais aussi de la durée d'exposition, de la condition physique de l'utilisateur et de l'état du produit.

Dimensions du produit



A	Longueur, mm	1410
B	Largeur, mm	750
C	Hauteur, mm	1158

¹² Les sections transversales doivent être recalculées lorsque des pré-fusibles de type ou de dimension différents sont utilisés.

Déclaration de conformité

Déclaration de conformité UE

Nous, Husqvarna AB, SE-561 82 Huskvarna, Suède,
tél : +46- 36-146500, déclarons sous notre entière
responsabilité que le produit :

Description	Scarificateurs
Marque	Husqvarna
Type/Modèle	BMP 335
Identification	Numéros de série à partir de 2022 et ultérieurs

est entièrement conforme à la réglementation et aux
directives de l'UE suivantes :

Directive/Réglementation	Description
2006/42/EC	« relative aux machines »
2014/30/UE	« relative à la compatibilité électromagnétique »

et que les normes et/ou les spécifications techniques
suivantes sont appliquées :

EN ISO 12100:2010, EN 60204-1:2006

Partille, 2022-01-24



Martin Huber

Directeur R&D, surfaces et sols en béton

Husqvarna AB, division Construction

Responsable de la documentation technique



Inhoud

Inleiding.....	67	Probleemoplossing.....	83
Veiligheid.....	69	Vervoer, opslag en verwerking.....	84
Werking.....	74	Technische gegevens BMP 335.....	86
Onderhoud.....	79	Verklaring van overeenstemming.....	88

Inleiding

Productbeschrijving

Het product is een duwfrees die wordt aangedreven door een elektromotor.

Gebruik

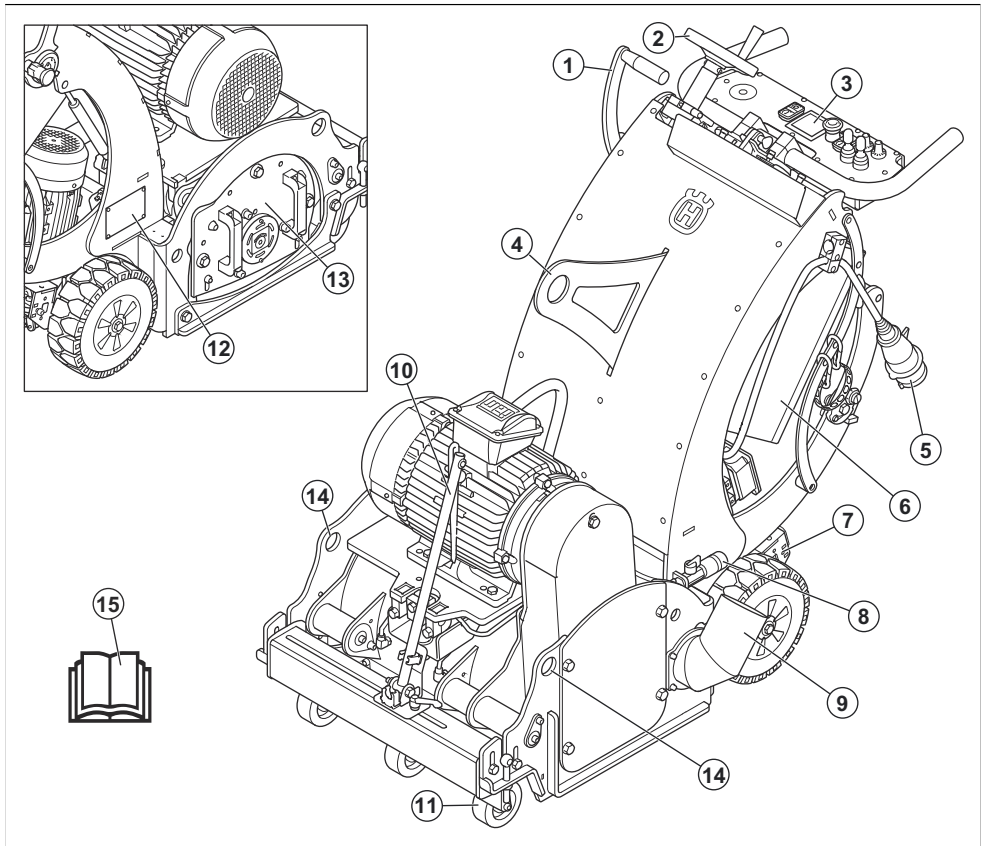
Het product wordt gebruikt om oppervlakken ruw te maken en om lagen en wegmarkeringen te verwijderen.

Het product kan worden gebruikt op oppervlakken zoals beton, asfalt, steen en staal.

Het product wordt voor commerciële toepassingen gebruikt door professionele gebruikers.

Gebruik het product niet voor andere taken.

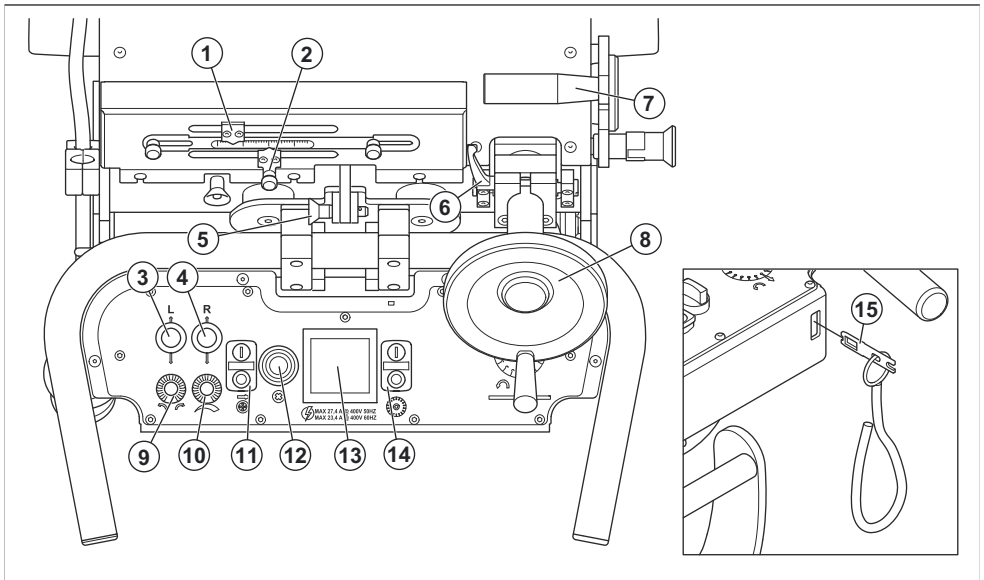
Productoverzicht



1. Hefhendel
2. Diepte-afstelwiel
3. Bedieningspaneel
4. Hijsoog
5. Voedingsstekker
6. Controlekast met hoofdschakelaar
7. Aandrijfsysteempedaal
8. Wateraansluiting
9. Koppeling voor stofzuiger
10. Richtingspointer
11. Voorwiel
12. Typeplaatje
13. Zijkap
14. Gat voor vastzetband
15. Bedieningshandleiding

Let op: Als water nodig is voor uw bedrijf, moet u contact opnemen met een Husqvarna-servicewerkplaats voor meer informatie.

Overzicht bedieningspaneel



1. Indicator voor diepte-instelling
2. Handmatige diepte-indicator
3. Joystick voor vooruit- en achteruit bewegen van het linker aandrijfwiel
4. Joystick voor vooruit- en achteruit bewegen van het rechter aandrijfwiel
5. Stuurvergrendeling
6. Vergrendeling voor diepte-afstelwiel
7. Hefhendel
8. Diepte-afstelwiel
9. Trackingregelaar
10. Snelheidsinstelling
11. ON/OFF-knoppen voor aandrijfmotor
12. Noodstopknop
13. Ampèremeter
14. ON/OFF-knoppen voor trommelmotor

15. Dodemansregeling (OPC)

Symbolen op het product



Waarschuwing: Dit product kan gevaarlijk zijn en ernstig of fataal letsel toebrengen aan de gebruiker of anderen. Wees voorzichtig en gebruik het product op de juiste manier.



Hoogspanning.



Houd alle lichaamsdelen uit de buurt van hete oppervlakken.



Hijspunt.



Houd handen uit de buurt van draaiende onderdelen.



Lees de handleiding goed door en zorg dat u de instructies hebt begrepen voordat u het product gebruikt.



Gebruik goedgekeurde ademhalingsbescherming.



Gebruik goedgekeurde gehoorbescherming.



Gebruik goedgekeurde oogbescherming.



Draag goedgekeurde veiligheidshandschoenen.



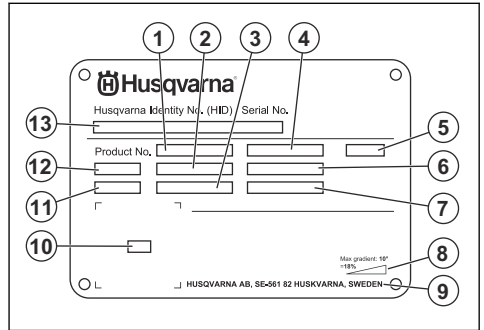
Draag goedgekeurde veiligheidslaarzen.



Dit product voldoet aan de geldende EU-richtlijnen.

Let op: Overige op het product aangebrachte symbolen/plaatjes verwijzen naar specifieke eisen aan certificering voor bepaalde markten.

Typeplaatje



1. Productnummer
2. Gewicht van het product
3. Nominaal vermogen
4. Nominale spanning
5. Behuizing
6. Nominale stroom
7. Frequentie
8. Maximale hellingshoek
9. Fabrikant
10. Scanbare code
11. Bouwjaar
12. Model
13. Serienummer

Productaansprakelijkheid

Zoals uiteengezet in de wet voor productaansprakelijkheid zijn wij niet aansprakelijk voor schade die door ons product wordt veroorzaakt, indien:

- het product niet goed is gerepareerd.
- het product is gerepareerd met onderdelen die niet van de fabrikant afkomstig zijn, of onderdelen die niet zijn goedgekeurd door de fabrikant.
- het product een accessoire bevat dat niet afkomstig is van de fabrikant of niet is goedgekeurd door de fabrikant.
- het product niet is gerepareerd door een erkend servicepunt of door een erkende autoriteit.

Veiligheid

Veiligheidsdefinities

Waarschuwingen, voorzorgsmaatregelen en opmerkingen worden gebruikt om te wijzen op belangrijke delen van de handleiding.



WAARSCHUWING: Wordt gebruikt om te wijzen op de kans op ernstig of fataal letsel voor de gebruiker of omstanders

wanneer de instructies in de handleiding niet worden gevolgd.



OPGELET: Wordt gebruikt indien er een risico bestaat op schade aan het product en andere eigendommen of aan de omgeving wanneer de instructies in de handleiding niet worden gevolgd.

Let op: Geven verdere informatie die nodig is in een bepaalde situatie.

Algemene veiligheidsinstructies



WAARSCHUWING: Lees de volgende waarschuwingen voordat u het product gaat gebruiken.

- Dit product kan bij onvoorzichtig of onjuist gebruik een gevaarlijk gereedschap zijn. Dit product kan ernstig of fataal letsel toebrengen aan de gebruiker of anderen. Het is erg belangrijk dat u deze gebruiksaanwijzing leest en begrijpt voordat u dit product gaat gebruiken.
- Bewaar alle waarschuwingen en instructies.
- U dient alle toepasselijke wet- en regelgeving in acht te nemen.
- De gebruiker en de werkgever van de gebruiker dienen op te hoogte te zijn van de risico's tijdens het gebruik van het product en moeten deze voorkomen.
- Zorg ervoor dat dit product alleen wordt gebruikt door personen die de inhoud van de gebruikershandleiding hebben gelezen en begrepen.
- Gebruik het product alleen als u voorafgaand aan gebruik training hebt ontvangen. Zorg ervoor dat alle gebruikers getraind worden.
- Laat het product niet door een kind bedienen.
- Het product mag alleen worden gebruikt door goedgekeurde personen.
- De gebruiker is verantwoordelijk indien ongelukken gebeuren met andere mensen of hun eigendommen.
- Gebruik het product nooit als u moe of ziek bent, of onder invloed van alcohol, drugs of medicijnen verkeert.
- Wees altijd voorzichtig en gebruik uw gezond verstand.
- Dit product produceert tijdens bedrijf een elektromagnetisch veld. Dit veld kan onder bepaalde omstandigheden de werking van actieve of passieve medische implantaten verstoren. Om het risico op ernstig of fataal letsel te verminderen, raden we personen met een medisch implantaat aan om contact op te nemen met hun arts en de fabrikant van het medische implantaat voordat ze dit product gebruiken.
- Houd het product schoon. Zorg ervoor dat u de aanduidingen en stickers duidelijk kunt lezen.
- Gebruik het product niet als het defect is.
- Breng geen wijzigingen aan dit product aan.
- Gebruik het product niet als de mogelijkheid bestaat dat andere personen wijzigingen aan het product hebben aangebracht.

Veiligheidsinstructies voor bediening



WAARSCHUWING: Lees de volgende waarschuwingen voordat u het product gaat gebruiken.

- Maak altijd gebruik van persoonlijke beschermingsmiddelen. Zie *Persoonlijke beschermingsuitrusting op pagina 71*.
- Overmatige blootstelling aan trillingen kan bloedvaten en zenuwbeschadigingen veroorzaken bij personen met een verminderde bloedsomloop. Consulteer een arts wanneer u symptomen heeft die wijzen op te grote blootstelling aan trillingen. Dergelijke symptomen zijn slapende vingers e.d., geen gevoel, 'kriebelend' gevoel, 'speldenprikken', pijn, geen of weinig kracht, huidverkleuringen of veranderingen van het huidoppervlak. Deze symptomen worden meestal waargenomen in de vingers, handen of polsen.
- Gebruik het product niet zonder dat alle beschermkappen zijn gemonteerd.
- Zorg ervoor dat u weet hoe u de motor in een noodsituatie snel kunt stoppen.
- Voordat u het product achterlaat, moet u de motor stopzetten en de voedingskabel afkoppelen. Zorg ervoor dat er geen risico op onbedoeld starten bestaat.
- Zorg ervoor dat er geen kleding, lang haar en sieraden vast komen te zitten in bewegende delen.
- Zorg ervoor dat u stabiel en veilig staat tijdens het gebruik.
- Gebruik het product alleen op horizontale oppervlakken.
- Gebruik het product alleen als u weet dat u hulp kunt krijgen indien zich een ongeval voordoet.
- Gebruik altijd goedgekeurde accessoires. Neem voor meer informatie contact op met uw Husqvarna-dealer.
- Als er trillingen optreden in het product of als het geluidsniveau van het product ongewoon hoog is, dient u het product onmiddellijk te stoppen. Controleer het product op schade. Repareer schade of laat een erkende servicewerkplaats de reparatie uitvoeren.
- Sluit het product aan op een stofzuiger om het stof te verwijderen.
- Trek niet aan de slang van de stofzuiger. Het product kan vallen en letsel of schade veroorzaken.
- Houd de stofzuiger ingeschakeld tot de motor volledig stopt.
- Bedien het product alleen van achteren, met uw handen op de handgreep.
- Zorg ervoor dat er geen vet of olie op de handgrepen zit.

Trillingsveiligheid



WAARSCHUWING: Lees de volgende waarschuwingen voordat u het product gaat gebruiken.

- Tijdens het gebruik van het product gaan trillingen van het product naar de gebruiker. Regelmatig en frequent gebruik van het product kan letsel bij de gebruiker veroorzaken of verergeren. Letsel kan optreden in vingers, handen, polsen, armen, schouders en/of zenuwen en bloedsomloop of andere lichaamsdelen. Het letsel kan slepend en/of blijvend zijn, en het kan geleidelijk toenemen in de loop van weken, maanden of jaren. Het letsel kan bestaan uit schade aan het bloedsomloopstelsel, het zenuwstelsel, de gewrichten en andere lichaamsstructuren.
- Symptomen kunnen zich voordoen tijdens het gebruik van het product of op andere momenten. Als u symptomen hebt en het product blijft gebruiken, kunnen de symptomen toenemen of permanent worden. Als deze of andere symptomen zich voordoen, neem dan medische hulp:
 - Verstijving, gevoelloosheid, tintelingen, prikken, pijn, een brandend gevoel, kloppen, stijfheid, onhandigheid, krachtverlies, veranderingen in huidskleur of conditie.
- Symptomen kunnen toenemen bij lage temperaturen. Gebruik warme kleding en houd uw handen warm en droog wanneer u het product in koude omgevingen gebruikt.
- Voer onderhoud uit aan en bedien het product zoals vermeld in de gebruikershandleiding, om een correct trillingsniveau te handhaven.
- Het product heeft een trillingsdempingssysteem dat de trillingen van de handgrepen naar de gebruiker vermindert. Laat het product het werk doen. Duw het product niet met kracht vooruit. Houd het product lichtjes vast aan de handgrepen, maar zorg ervoor dat u het product onder controle hebt en het veilig bedient. Duw de handgrepen niet verder dan nodig tegen de eindaanslagen.
- Houd uw handen alleen op het handvat of de handgrepen. Houd alle andere lichaamsdelen uit de buurt van het product.
- Stop het product onmiddellijk als er plotseling sterke trillingen optreden. Ga niet verder met het gebruik tot de oorzaak van de toegenomen trillingen is weggenomen.

Bescherming tegen stof



WAARSCHUWING: Lees de volgende waarschuwingen voordat u het product gaat gebruiken.

- Gebruik van het product kan stof in de lucht veroorzaken. Stof kan ernstig letsel en

permanente gezondheidsproblemen veroorzaken. Silicastof wordt door verschillende instanties als schadelijk beschouwd. Hieronder volgen enkele voorbeelden van dergelijke gezondheidsproblemen:

- De fatale longaandoeningen chronische bronchitis, silicose en longfibrose
- Kanker
- Geboortefwijkingen
- Huidontsteking
- Gebruik de juiste apparatuur om de hoeveelheid stof en dampen in de lucht te verminderen en om stof op werkkleding, oppervlakken, kleding en lichaamsdelen te verminderen. Voorbeelden van beschermende elementen zijn stofopvangsystemen en watersprays om het stof te binden. Verminder waar mogelijk stof bij de bron. Zorg ervoor dat de apparatuur correct wordt geïnstalleerd en gebruikt en dat er regelmatig onderhoud wordt uitgevoerd.
- Gebruik goedgekeurde ademhalingsbescherming. Zorg ervoor dat adembescherming wordt gebruikt bij gevaarlijke materialen in het werkgebied.
- Zorg ervoor dat er toereikende ventilatie in het werkgebied is.

Geluidsveiligheid



WAARSCHUWING: Lees de volgende waarschuwingen voordat u het product gaat gebruiken.

- Hoge geluidsniveaus en langdurige blootstelling aan lawaai kunnen gehoorverlies veroorzaken.
- Om het geluidsniveau tot een minimum te beperken, moet u het product onderhouden en bedienen zoals beschreven in de gebruikershandleiding.
- Gebruik goedgekeurde gehoorbescherming wanneer u het product gebruikt.
- Let op alarmsignalen en luide stemmen wanneer u gehoorbescherming gebruikt. Verwijder de gehoorbescherming wanneer het product is gestopt, tenzij gehoorbescherming nodig is voor het geluidsniveau in de werkomgeving.

Persoonlijke beschermingsuitrusting



WAARSCHUWING: Lees de volgende waarschuwingen voordat u het product gaat gebruiken.

- Draag tijdens het gebruik van het product altijd goedgekeurde persoonlijke beschermingsuitrusting. Persoonlijke beschermingsuitrusting kunnen niet alle risico's uitsluiten maar kunnen de ernst van eventueel letsel helpen beperken. Vraag uw dealer u te helpen bij het kiezen van de juiste beschermingsuitrusting.
- Controleer regelmatig de toestand van uw persoonlijke beschermingsmiddelen.
- Draag een goedgekeurde veiligheids helm.

- Gebruik goedgekeurde gehoorbescherming.
- Gebruik goedgekeurde ademhalingsbescherming.
- Gebruik goedgekeurde oogbescherming met zijbescherming.
- Draag veiligheidshandschoenen.
- Gebruik laarzen met stalen neus en antislipzool.
- Gebruik goedgekeurde werkkleding of gelijkwaardige nauwsluitende kleding met lange mouwen en lange broekspijpen.

Brandblusser

- Zorg dat er een brandblusser in de buurt is tijdens het gebruik van dit product.
- Gebruik een poederblusser of een kooldioxidebrandblusser.

Veiligheid van het werkgebied



WAARSCHUWING: Lees de volgende waarschuwingen voordat u het product gaat gebruiken.

- Gebruik het product niet bij mist, regen, harde wind, koud weer, risico op blikseminslag of andere slechte weersomstandigheden.
- Gebruik het product niet in gebieden waar brand of explosies kunnen optreden.
- Houd kinderen, omstanders en dieren weg van het werkgebied en op veilige afstand van het product.
- Zorg ervoor dat er alleen goedgekeurde personen in het werkgebied zijn.
- Zorg dat het werkgebied schoon en voldoende verlicht is.
- Verwijder objecten zoals schroeven, bouten, draden en stenen uit het werkgebied voordat u het product gaat gebruiken.
- Zorg ervoor dat er geen kabels of slangen in de werkrichting van het product zijn.
- Zorg ervoor dat er een voldoende luchtstroom op de werkplek is.

Elektrische veiligheid



WAARSCHUWING: Er is altijd kans op schokken van elektrische producten. Gebruik het product niet bij slecht weer. Raak geen bliksemafleiders en metalen voorwerpen aan. Gebruik het product altijd zoals in deze bedieningshandleiding wordt beschreven om letsel te voorkomen.



WAARSCHUWING: Gebruik altijd een voeding met aardlekschakelaar. Een aardlekschakelaar vermindert de kans op een elektrische schok.



WAARSCHUWING: Hoogspanning. Er bevinden zich onbeschermd onderdelen in de voedingseenheid. Haal altijd de stekker uit het stopcontact voordat u de deur van het regelkastje opent.



OPGELET: De voeding van het product of de generator moet krachtig genoeg en constant zijn om de motor probleemloos te kunnen laten werken. Een onjuiste spanning heeft tot gevolg dat het stroomverbruik en de temperatuur van de motor toenemen totdat het veiligheidscircuit wordt geactiveerd. De afmetingen van de voedingskabel moeten overeenstemmen met de nationale en lokale voorschriften. De afmetingen van het stopcontact moeten overeenstemmen met de stroomsterkte voor het stopcontact en de verlengkabel van het product.

Als het elektriciteitsnet een hogere systeemweerstand heeft, kan er kort spanningsverlies optreden wanneer het product wordt gestart. Dit kan invloed hebben op de werking van andere producten en bijvoorbeeld flikkerende lichten veroorzaken.

- Controleer of de spanning van het elektriciteitsnet en de zekering overeenkomt met de spanning die wordt aangegeven op het productplaatje van het product.
- Stop het product altijd voordat u de stekker uit het stopcontact haalt.
- Gebruik het product niet als de voedingskabel of de stekker beschadigd is. Brengt het ter reparatie naar een erkend servicepunt. Een beschadigde voedingskabel kan ernstig letsel en de dood veroorzaken.
- Gebruik de voedingskabel op de juiste manier. Gebruik de voedingskabel niet om het product te verplaatsen, te trekken of los te koppelen. Trek aan de stekker om de voedingskabel los te koppelen. Trek niet aan de voedingskabel.
- Gebruik het product niet in water met een zodanige diepte dat het product nat wordt. De apparatuur kan beschadigd raken en het product kan onder stroom komen te staan en letsel veroorzaken.
- Zorg ervoor dat er geen ander vocht in het product komt dan water dat afkomstig is van het waterleidingnet. Stel het product niet bloot aan regen. Water dat het product binnendringt, verhoogt het risico op elektrische schokken.
- Verwijder de voedingskabel altijd voordat u de verbinding voor de motorkabel en de controlekast aansluit of loskoppelt.

Instructies voor geaard product



WAARSCHUWING: Een verkeerde aansluiting kan leiden tot elektrische schokken. Raadpleeg een erkende elektricien als u niet zeker weet of de contactdoos van het elektriciteitsnet correct geaard is.

Breng geen wijzigingen aan de stekker aan ten opzichte van de fabrieksspecificatie. Als de stekker of de voedingskabel beschadigd is of moet worden vervangen, raadpleeg dan uw Husqvarna-servicewerkplaats. Volg de lokale regel- en wetgeving.

Neem contact op met een erkende elektricien als u de instructies over het geaarde product niet volledig begrijpt.

Gebruik alleen geaarde verlengkabels voor buitengebruik met geaarde stekkers en geaarde contactdozen die geschikt zijn voor de stekker van het product.

Het product heeft een geaarde voedingskabel en een geaarde stekker. Sluit het product altijd aan op een geaard stopcontact. Dit vermindert het risico op elektrische schokken in geval van een storing.

Gebruik geen adapters in combinatie met het product.

Verlengkabels

- Gebruik alleen goedgekeurde verlengkabels met voldoende lengte.
- De markering op de verlengkabel moet gelijk zijn aan of hoger zijn dan de waarde op het productplaatje van het product.
- Gebruik geaarde verlengkabels.
- Gebruik een verlengkabel die geschikt is voor gebruik buitenshuis wanneer u buiten werkt met het product. Dit vermindert de kans op een elektrische schok.
- Houd de aansluiting op de verlengkabel droog en zorg dat deze de grond niet raakt.
- Houd de verlengkabel uit de buurt van hitte, olie, scherpe randen en bewegende delen. Een beschadigde kabel verhoogt het risico op elektrische schokken.
- Controleer of de verlengkabel in goede staat verkeert en niet beschadigd is.
- Gebruik de verlengkabel niet in opgerolde toestand. Daardoor kan de kabel oververhit raken.
- Zorg ervoor dat de verlengkabel achter u en het product ligt wanneer u het product gebruikt. Zo voorkomt u dat de verlengkabel beschadigd raakt.

Veiligheidsvoorzieningen op het product



WAARSCHUWING: Lees de volgende waarschuwingen voordat u het product gaat gebruiken.

- Gebruik het product nooit wanneer de veiligheidsvoorzieningen defect zijn.
- Controleer de veiligheidsvoorzieningen regelmatig op een juiste werking. Als de veiligheidsvoorzieningen defect zijn, neem dan contact op met uw Husqvarna servicewerkplaats.

Noodstopknop

De noodstopknop wordt gebruikt om de motor snel te stoppen.

De noodstopknop controleren

Raadpleeg *Overzicht bedieningspaneel op pagina 68* voor informatie over de locatie van de noodstopknop op uw product.

1. Draai de noodstopknop rechtsom om ervoor te zorgen dat de noodstopknop wordt uitgeschakeld.
2. Start het product. Zie *Product starten op pagina 77*.
3. Druk op de noodstopknop.
4. Zorg ervoor dat de motor stopt.
5. Draai de noodstopknop rechtsom om deze uit te schakelen.

Dodemansregeling (OPC)

Als de OPC is ingeschakeld, stopt de motor. Zie *De dodemanshandgreep (OPC) controleren op pagina 73*.

De dodemanshandgreep (OPC) controleren

1. Start het product. Zie *Product starten op pagina 77*.
2. Trek de OPC-sleutel uit het contact. Als de motor niet binnen 3 seconden stopt, neem dan contact op met een erkende Husqvarna-servicewerkplaats.

Veiligheidsinstructies voor onderhoud



WAARSCHUWING: Lees de volgende waarschuwingen voordat u het product gaat gebruiken.

- Maak altijd gebruik van persoonlijke beschermingsmiddelen. Zie *Persoonlijke beschermingsuitrusting op pagina 71*.
- Voer alleen onderhoud uit zoals beschreven in deze bedieningshandleiding. Laat een goedgekeurde servicewerkplaats alle andere onderhoudswerkzaamheden uitvoeren.
- Als het onderhoud niet correct en regelmatig wordt uitgevoerd, neemt de kans op letsel of schade aan het product toe.

- Maak het product schoon om gevaarlijk materiaal te verwijderen voordat u het onderhoud uitvoert.
- Voordat u onderhoud uitvoert moet u de motor stoppen, de dodemansregeling eruit trekken en de stekker eruit trekken.
- Zorg ervoor dat u onderhoudswerkzaamheden aan het product uitvoert op een stabiele, horizontale ondergrond.
- Breng geen wijzigingen aan het product aan. Wijzigingen aan het product die niet zijn goedgekeurd door de fabrikant, kunnen leiden tot ernstig letsel of overlijden.
- Vervang beschadigde, versleten of defecte onderdelen.
- Gebruik altijd originele accessoires en reserveonderdelen. Accessoires en wijzigingen die niet zijn goedgekeurd door de fabrikant, kunnen leiden tot ernstig letsel of overlijden.
- Controleer na onderhoud het trillingsniveau in het product. Als dit niet correct is, neemt u contact op met een erkende servicewerkplaats.
- Laat een erkende servicewerkplaats regelmatig onderhoud aan het product uitvoeren.

Werking

Inleiding



WAARSCHUWING: Voordat u het product gaat gebruiken, dient u het hoofdstuk over veiligheid te lezen en hebben begrepen.

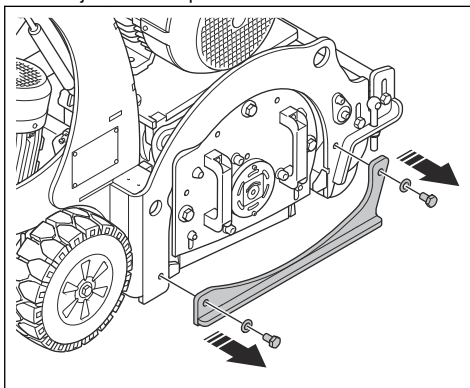
Voordat u het product gebruikt

1. Lees de gebruikershandleiding zorgvuldig door en zorg dat u de instructies hebt begrepen.
2. Lees de gebruikershandleiding voor de stofzuiger zorgvuldig door en zorg dat u de instructies hebt begrepen.
3. Maak altijd gebruik van persoonlijke beschermingsmiddelen. Zie *Persoonlijke beschermingsuitrusting op pagina 71*.
4. Zorg ervoor dat er alleen goedgekeurde personen in het werkgebied zijn.
5. Voer dagelijks onderhoud uit. Zie *Onderhoudsschema op pagina 79*.
6. Controleer of het product goed gemonteerd en niet beschadigd is.
7. Plaats het product in het werkgebied. Controleer of het oppervlak vlak is. Zorg ervoor dat het vervoer van het product naar en in het werkgebied veilig en correct wordt uitgevoerd. Zie *Transport op pagina 84*.
8. Zorg ervoor dat de hoogte van de voorwielen correct is ingesteld voor het bedrijf. Zie *De hoogte van de voorwielen aanpassen op pagina 76*.
9. Zorg ervoor dat de gereedschappen de grond niet raken.
 - a) Zet de hefhandel in de omhoog-stand.
 - b) Draai het diepte-afstelwiel rechtsom.
10. Sluit een stofzuiger aan op het product. Zie *Stofzuiger aansluiten op pagina 76*.
11. Sluit het product aan op een stroombron. Zie *Het product op een stroombron aansluiten op pagina 77*.

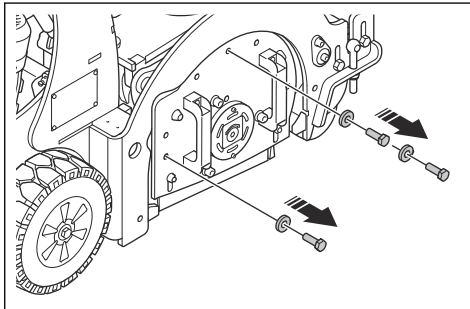
12. Zorg ervoor dat de hoogte van de borstels onder de trommelbehuizing correct is voor de bedrijfsdiepte. Draai indien nodig de moeren los, pas de hoogte aan en haal de moeren aan.

De freestrommel installeren

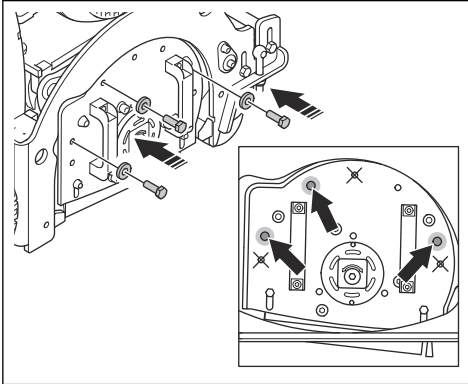
1. Verwijder de steunplaat.



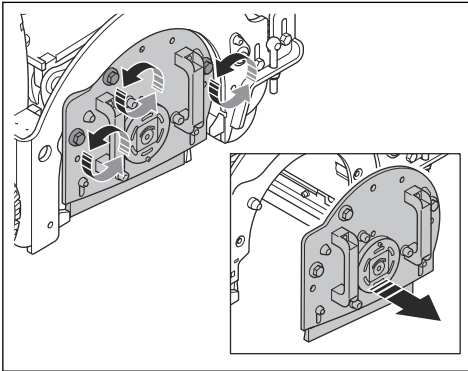
2. Verwijder de schroeven en ringen van de zijkap.



3. Installeer de schroeven met ringen in de naastgelegen gaten.

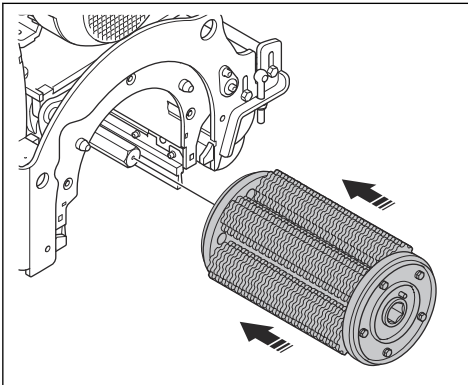


4. Draai de schroeven om de zijkap eraf te schuiven.

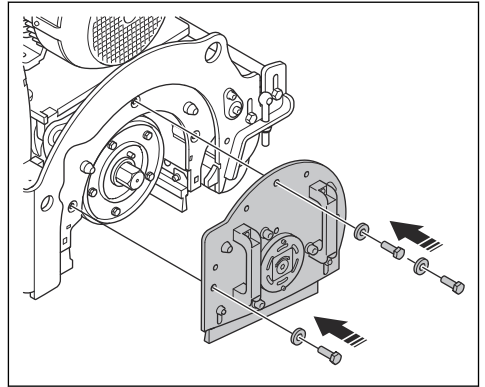


Let op: Als de zijkap verwijderd is, hangt de as los.

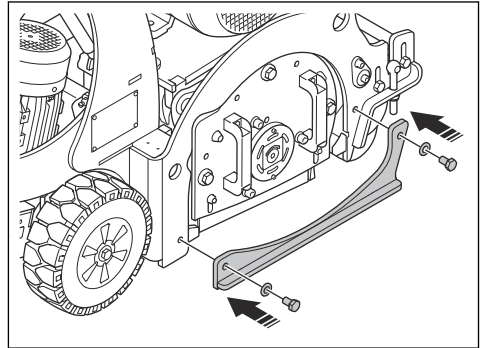
5. Installeer de freestrommel op de as.



6. Installeer de zijkap.



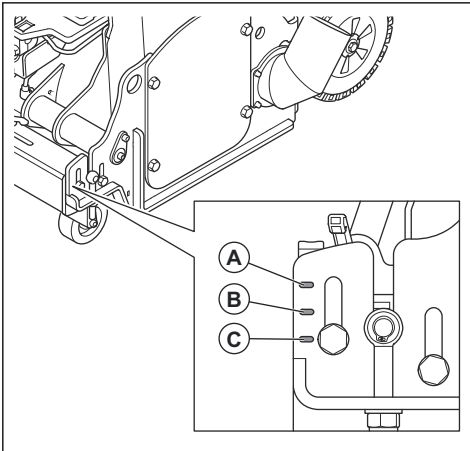
7. Installeer de steunplaat.



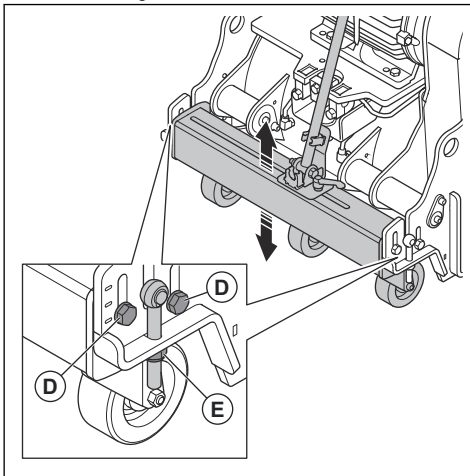
8. Controleer de spanning van de aandrijfriem. Zie *Controleer de spanning van de aandrijfriem op pagina 83.*

De hoogte van de voorwielen aanpassen

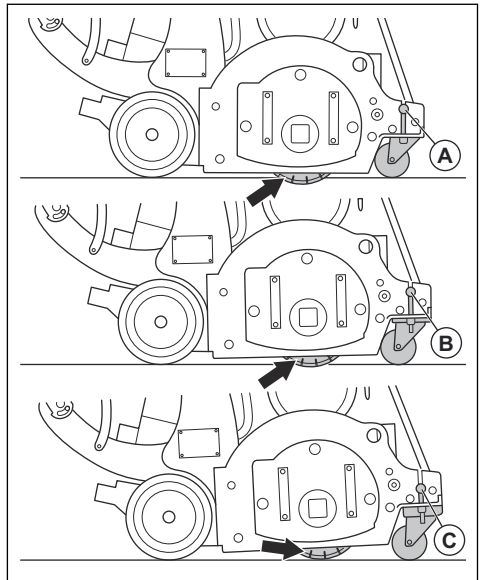
De standaardpositie is (B). Positie (A) wordt gebruikt voor bedrijf op maximale diepte. Positie (C) wordt gebruikt voor bedrijf op minimale diepte.



1. Draai de bouten (D) aan elke kant van de voorwielstang los.



2. Draai de moer (E) om de toepasselijke hoogte in te stellen.
3. Draai de bouten (D) aan elke kant van de voorwielstang aan.



Stofzuiger aansluiten

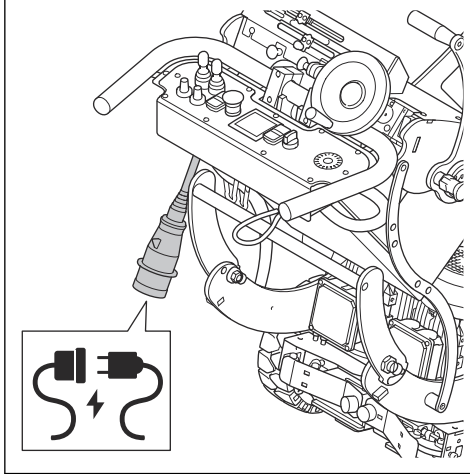


WAARSCHUWING: Gebruik de stofzuiger niet als de slang ervan beschadigd is. U loopt in dat geval meer risico dat u stof inademt dat schadelijk is voor uw gezondheid. Gebruik goedgekeurde ademhalingsbescherming.

1. Controleer de slang van de stofzuiger op schade.
2. Controleer of de filters in de stofzuiger schoon en onbeschadigd zijn.
3. Sluit de slang van de stofzuiger aan op de aansluiting voor de stofzuiger. Raadpleeg *Productoverzicht op pagina 67* voor informatie over de locatie van de aansluiting voor de stofzuiger op uw product.

Het product op een stroombron aansluiten

1. Sluit de stekker van het product aan een toepasselijke verlengkabel.



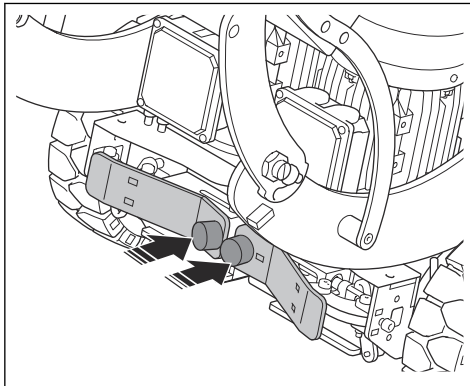
2. Sluit de verlengkabel aan op een stopcontact.



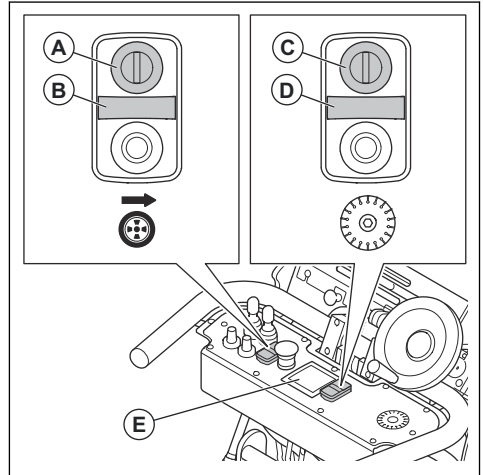
OPGELET: Als het product is aangesloten op een stofzuiger, moet de stofzuiger worden aangesloten op een driefasige stroombron.

Product starten

1. Start de stofzuiger.
2. Plaats het snoer van de dodemansregeling om uw rechterpols.
3. Druk de aandrijfsysteempedalen in om het aandrijfsysteem in te schakelen.



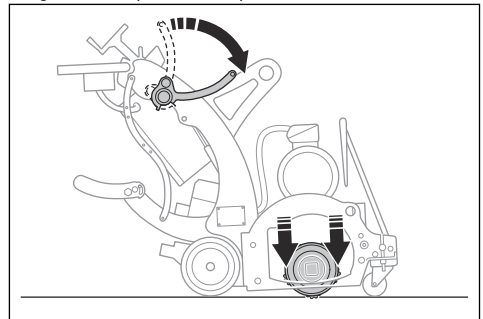
4. Draai de noodstopknop op het bedieningspaneel rechtsom om ervoor te zorgen dat de noodstopknop wordt uitgeschakeld.
5. Zet de hoofdschakelaar op de controlekast in de ON-positie.
6. Zet de joysticks in de neutrale positie.
7. Druk op de ON-knop voor de aandrijfmotor (A). Het lampje (B) brandt als de aandrijfmotor voeding heeft.



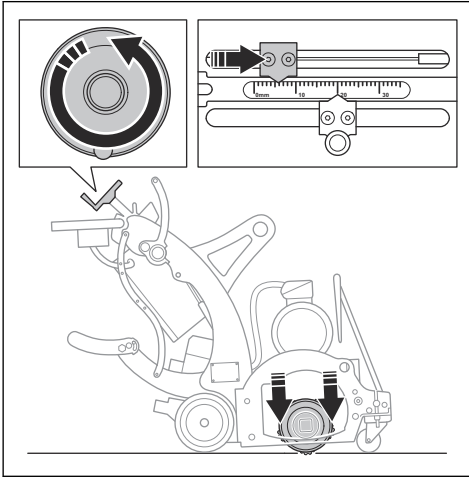
8. Druk op de ON-knop voor de trommelmotor (C). Het lampje (D) brandt als de trommelmotor voeding heeft.

Let op: De trommelmotor kan niet starten als het aandrijfsysteem niet is ingeschakeld.

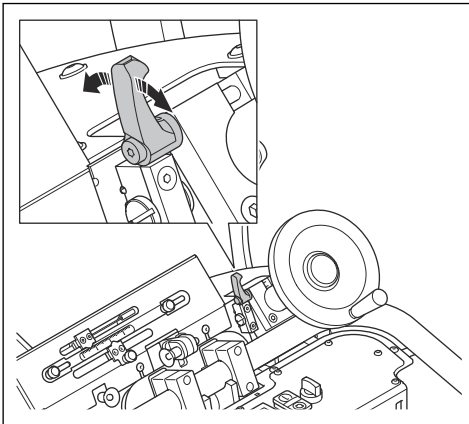
9. Wacht 10-15 seconden tot de kleur van het display (E) verandert van rood naar wit.
10. Breng de hefhandel langzaam omlaag om de gereedschapstrommel op de bodem neer te laten.



11. Draai het diepte-afstelwiel linksom tot de diepte correct is voor het bedrijf.

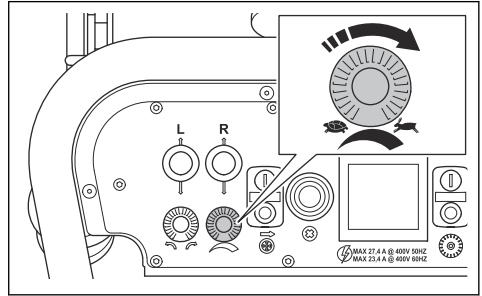


12. Draai de vergrendeling voor het diepte-afstelwiel om de bedrijfsdiepte te vergrendelen.



- a) Draai de vergrendeling om het diepte-afstelwiel weer te ontgrendelen voor verdere instellingen van de bedrijfsdiepte.

13. Draai de knop voor snelheidsinstelling om de bedrijfssnelheid in te stellen.

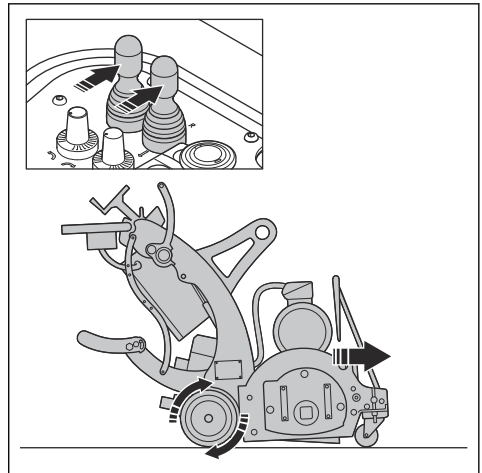


Het product gebruiken



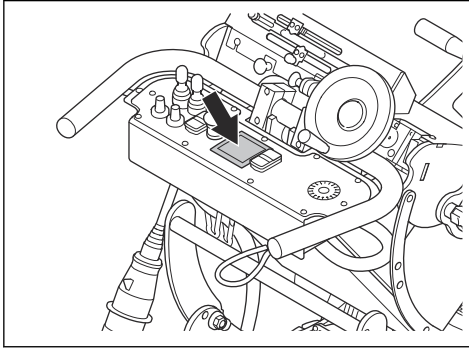
WAARSCHUWING: Dit product is alleen bedoeld voor voorwaarts bedrijf. Beweeg het product niet achteruit als de gereedschapstrommel in bedrijf is.

- Duw de joysticks om het product te bewegen.



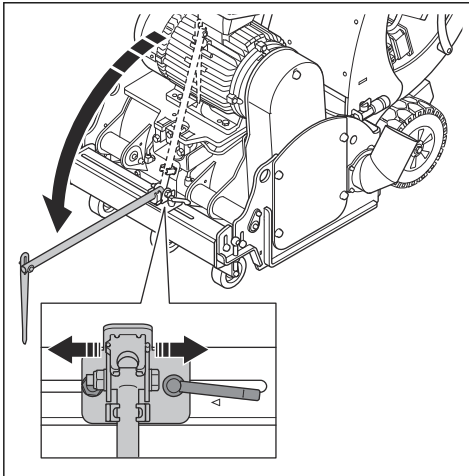
- Stel zo nodig de diepte af. Een volledige omwenteling van het diepte-afstelwiel past de diepte met 1,1 mm aan.

- Controleer de ampèremeter tijdens het bedrijf. De maximale ampère voor elk motortype is als volgt:



- Voor motortype 3x400V, 50 Hz: 19,6 A.
- Voor motortype 3x480V, 60 Hz: 16,6 A.

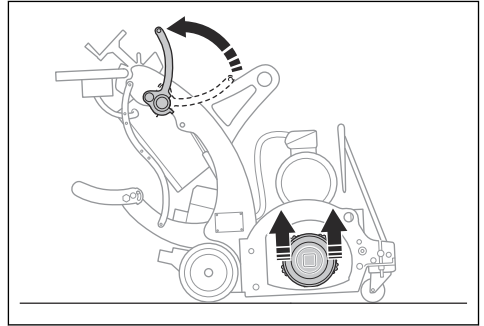
- Om rechtuit te bewegen eenvoudiger te maken, moet de richtingspointer worden uitgeklapt.



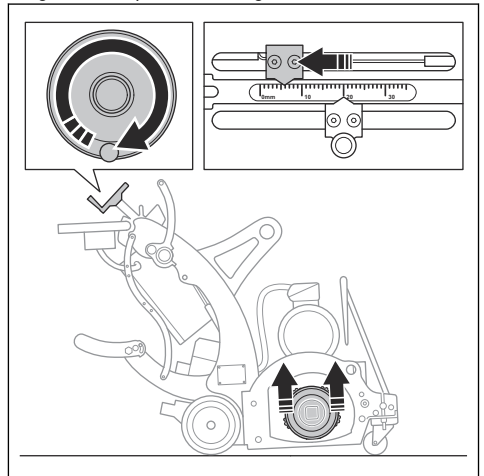
Let op: De richtingspointer kan aan de zijkant worden ingesteld.

Product stoppen

- Trek de hefpendel omhoog.



- Draai het diepte-afstelwiel totdat de gereedschapstrommel de grond niet raakt.



- Druk op de OFF-knop voor de aandrijfmotor en de OFF-knop voor de trommelmotor.
- Wacht tot alle bewegende onderdelen volledig gestopt zijn.
- Stop de stofzuiger.
- Haal de stekker uit het stopcontact.

Onderhoud

Inleiding



WAARSCHUWING: Voordat u onderhoud gaat uitvoeren, dient u het hoofdstuk over veiligheid te lezen en hebben begrepen.

Voor alle onderhouds- en reparatiewerkzaamheden aan het product is speciale training nodig. Wij

garanderen de beschikbaarheid van professionele reparaties en onderhoud. Indien uw dealer geen servicewerkplaats heeft, vraag hem dan naar de dichtstbijzijnde servicewerkplaats.

Onderhoudsschema

* = Algemeen onderhoud uit te voeren door de gebruiker. De instructies zijn niet opgenomen in deze gebruikershandleiding.

X = De instructies zijn opgenomen in deze gebruikershandleiding.

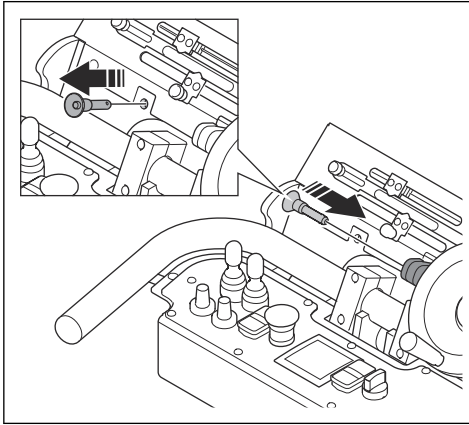
O = De instructies zijn niet opgenomen in deze gebruikershandleiding. Laat onderhoud aan de machine uitvoeren door een erkende servicewerkplaats.

Algemeen productonderhoud	Elke dag	12u na service	Elke 3 maanden	Jaarlijks
Reinig het product.	X			
Controleer alle veiligheidsvoorzieningen.	X			
Controleer of de moeren en schroeven goed zijn vastgedraaid.	*	*		
Controleer de gereedschapstommel, de trommelas en de behuizing op slijtage.	*			
Controleer of de stekker en verlengkabel in goede staat verkeren en niet beschadigd zijn.	*			
Controleer het RCD.	*			
Controleer de elektrische onderdelen, de kabels en de aansluitingen op slijtage en beschadiging.	*			
Controleer de spanning van de aandrijfriem.	X		X	
Zorg ervoor dat stofslang niet beschadigd en niet geblokkeerd is.	*			
Leeg de stofzuiger.	*			
Smeer het lager.			X	
Controleer de borstels onder de trommelbehuizing op slijtage.			*	
Voer een volledige onderhouds- en reinigingsbeurt uit.				O

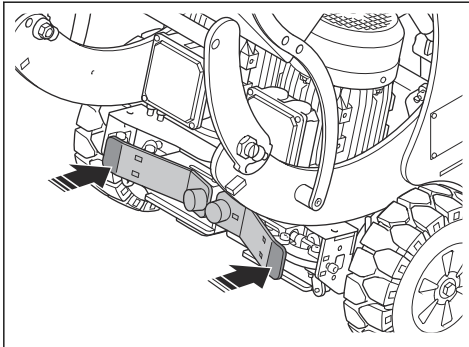
Het product naar achteren kantelen

Voor sommige onderhoudswerkzaamheden is het noodzakelijk om het product naar achteren te kantelen om toegang te krijgen tot de gereedschapstommel.

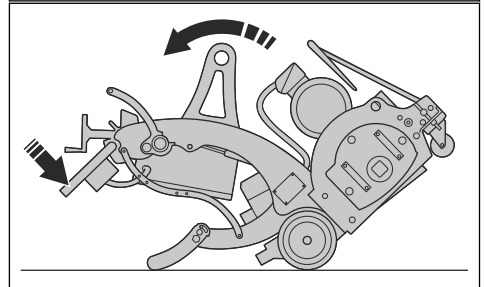
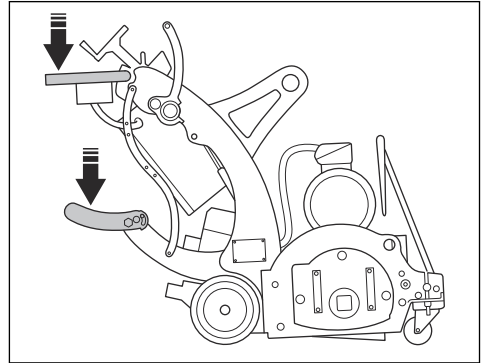
1. Geef de stuurvergrendeling op het bedieningspaneel vrij.



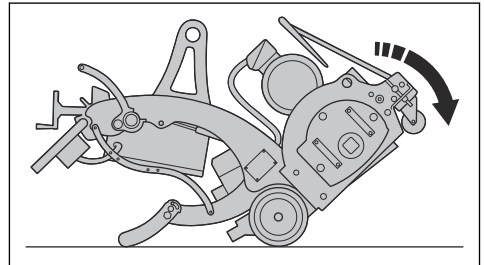
2. Schakel het aandrijfsysteem uit.



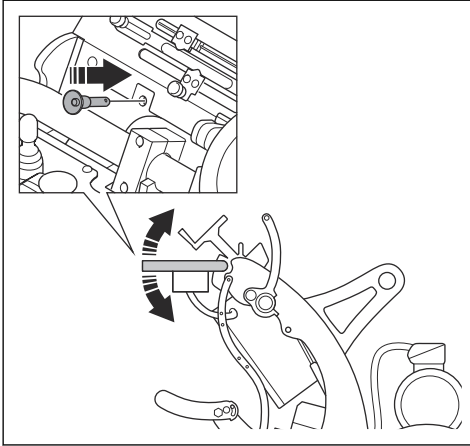
3. Duw de handgrepen en de voetsteun omlaag om het product te kantelen.



4. Breng het product voorzichtig omlaag. De voorkant is erg zwaar.



5. Plaats de stuurvergrendeling weer.



Product reinigen

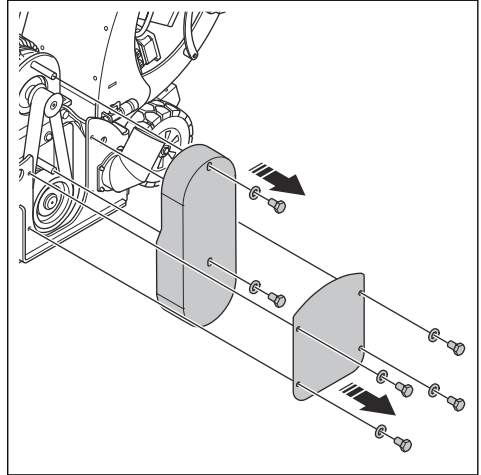
- Reinig na gebruik altijd alle apparatuur. Gebruik een stofzuiger.
- Reinig het product niet met een hogedrukspuit.
- Houd de luchtopeningen schoon en vrij om ervoor te zorgen dat het product altijd een voldoende koele temperatuur heeft.
- Reinig de werktuigkop na gebruik op vochtige oppervlakken.

Het lager smeren

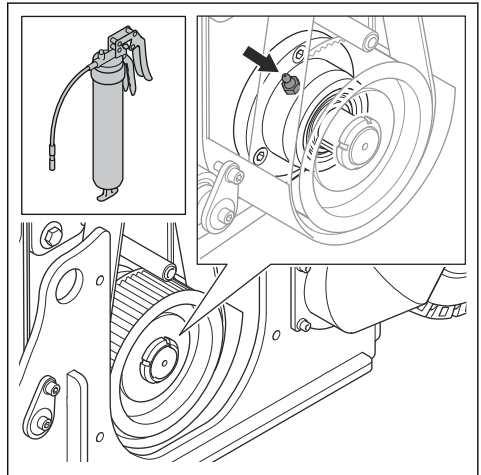


OPGELET: Gebruik het juiste type vet. Zie *Technische gegevens BMP 335 op pagina 86*. Het verkeerde type vet kan schade aan het lager veroorzaken.

1. Verwijder de aandrijfriemkap.

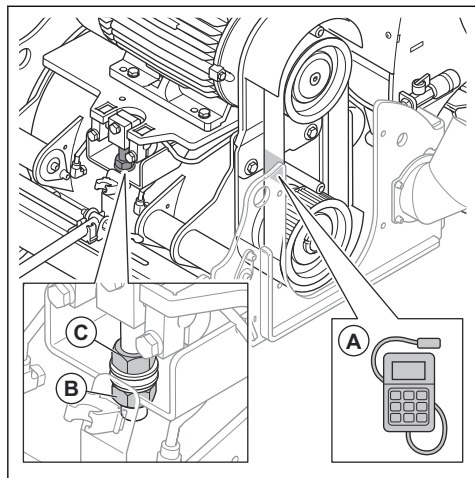


2. Duw 5-10 g vet in de smeernippel met een vetpistool.



Controleer de spanning van de aandrijfriem

1. Meet de spanning van de aandrijfriem in het midden van de aandrijfriem (A). De correcte spanning is 105 Hz.



2. Als het nodig is om de spanning van de aandrijfriem af te stellen, moet u deze stappen volgen:
 - a) Maak de moer (B) los.
 - b) Draai de moer (C) rechtsom om de aandrijfriem te spannen.
 - c) Draai de moer (C) linksom om de aandrijfriem losser te maken.
 - d) Draai de moer (B) vast.

Probleemoplossing

Probleem	Oorzaak	Oplossing
Te veel trilling en/of ongebruikelijke geluiden.	De werktuigen zijn versleten of beschadigd.	Vervang onderdelen die versleten of beschadigd zijn.
	Het lager is defect.	Controleer het lager op de aandrijfas en vervang het indien nodig.
	Verkeerde spanning van de aandrijfriem.	Controleer de spanning van de aandrijfriem. Zie <i>Controleer de spanning van de aandrijfriem op pagina 83</i> .
	De motor is defect.	Vervang de motor.
	De gereedschapstrommel is ingesteld op te veel bedrijfsdiepte.	Verklein de bedrijfsdiepte.
Verlaagde of geen prestaties.	De werktuigen zijn versleten of beschadigd.	Vervang versleten onderdelen.
	Het type werktuig is onjuist voor het oppervlak.	Vervang het werktuig door het correcte werktuig voor het oppervlak.

Probleem	Oorzaak	Oplossing
De motor start niet.	Een fase van de voeding ontbreekt.	Controleer de voeding.
	Een fase van de voeding is verkeerd.	Pas de fase aan.
	De noodstopknop is ingeschakeld.	Draai de noodstopknop rechtsom om deze uit te schakelen.
	Er is geen voeding in het aandrijfsysteem.	Start het aandrijfsysteem en start vervolgens de trommelmotor.
	Een onderdeel is defect.	Vervang het defecte onderdeel.
	De OPC is niet geïnstalleerd.	Installeer de OPC.
	De verlengkabel is losgekoppeld of beschadigd.	Sluit de verlengkabel aan of vervang deze indien nodig.
Het product stopt na een tijdje.	De motorbeveiligingsschakelaar komt vrij vanwege overbelasting.	Verklein de zaagdiepte.
	De motor heeft een defect.	Controleer de motor.
Het aandrijfsysteem werkt niet goed.	De aandrijfsysteempedalen zijn niet ingeschakeld.	Druk de aandrijfsysteempedalen in.

Vervoer, opslag en verwerking

Transport



WAARSCHUWING: Wees voorzichtig tijdens het transport. Het product is zwaar en kan als het valt of beweegt letsel of schade veroorzaken.



OPGELET: Trek de hefhendel voor transport omhoog. De werktuigen mogen de grond niet raken tijdens transport.

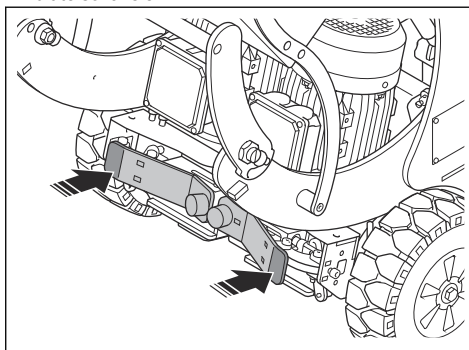


OPGELET: Sleep het product niet achter een voertuig.

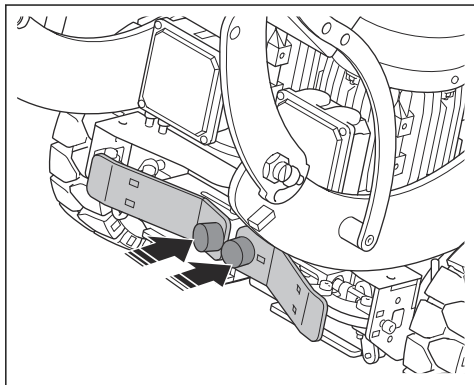
- Met de wielen kunt u het product verplaatsen voor kortere afstanden. Voor langere afstanden moet u het product heffen om het te verplaatsen of op een voertuig plaatsen.
- Zorg dat het product tijdens het transport op bepaalde manieren wordt beschermd. Op deze wijze wordt het product niet blootgesteld aan natuurverschijnselen zoals regen en sneeuw.

Het aandrijfsysteem uit- en inschakelen

1. Druk de buitenste uiteinden van de aandrijfsysteempedalen in om het aandrijfsysteem uit te schakelen.



2. Druk de binnenste uiteinden van de aandrijfsysteempedalen in om het aandrijfsysteem in te schakelen.



Het product handmatig verplaatsen met uitgeschakelde motor



WAARSCHUWING: Wacht tot alle bewegende onderdelen stilstaan voordat u het product verplaatst.



WAARSCHUWING: Gebruik beschermende laarzen met stalen neuzen en antislipzolen.



WAARSCHUWING: Verplaatst het product niet handmatig met uitgeschakeld aandrijfsysteem omhoog en omlaag over hellingen. Verplaatst het product handmatig alleen op vlakke ondergrond.

1. Schakel het aandrijfsysteem uit. Zie *Het aandrijfsysteem uit- en inschakelen op pagina 84*.
2. Duw het product aan de handgrepen.
3. Schakel het aandrijfsysteem in. Zie *Het aandrijfsysteem uit- en inschakelen op pagina 84*. Met uitgeschakelde motor heeft deze de functie van een parkeerrem en voorkomt onbedoelde verplaatsing van het product.

Het product een hellingbaan op en af laten gaan



WAARSCHUWING: Wees zeer voorzichtig wanneer u het product een hellingbaan op en af laat gaan. Het product is zwaar en er bestaat gevaar voor letsel als het product te valt of te snel beweegt.



WAARSCHUWING: Gebruik altijd een lier voor steile hellingbanen. Loop nooit onder het product door en blijf er niet onder of in de buurt staan.

- Als u het product van een hellingbaan af wilt laten rijden, rijd het product dan langzaam vooruit.
- Als u het product een hellingbaan op wilt laten rijden, rijd het product dan langzaam achteruit.
- Draai het product nooit meer dan 45° naar links of rechts op een hellingbaan.

Het product optillen



WAARSCHUWING: Zorg ervoor dat de hijsapparatuur de juiste specificaties heeft om het product veilig op te tillen. Het typeplaatje op het product geeft het gewicht van het product aan.

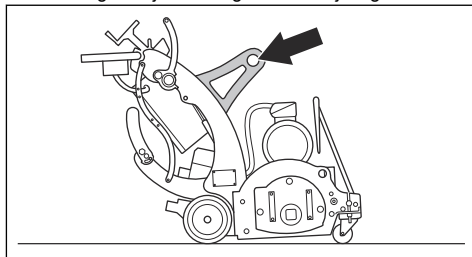


WAARSCHUWING: Loop nooit onder een opgeheven product door en blijf er niet onder of in de buurt staan. Houd omstanders uit de buurt van het werkgebied.



WAARSCHUWING: Hef een beschadigd product niet. Controleer of het hijs oog correct is aangebracht en niet beschadigd is.

1. Bevestig de hijsuitrusting door het hijs oog.



2. Hef het product veilig omhoog.

Het product aan een transportvoertuig bevestigen

1. Zorg ervoor dat de aandrijfwielen zijn ingeschakeld. Zie *Het aandrijfsysteem uit- en inschakelen op pagina 84*.
2. Bevestig vastzetbanden in het hijs oog en de gaten voor vastzetbanden. Zie *Productoverzicht op pagina 67* voor informatie over de locatie van de gaten voor vastzetbanden op uw product.
3. Bevestig de sjordbanden aan het transportvoertuig en haal de sjordbanden aan.

Opslag



OPGELET: Sla het product niet buiten op. Bewaar dit product altijd binnen.

- Bewaar het product in een droge en vorstvrije ruimte.
- Reinig het product en voer een volledige onderhoudsbeurt uit voordat u het product opslaat.

- Bewaar het product in een afgesloten ruimte om toegang door kinderen of onbevoegde personen te verhinderen.

Het product afvoeren

- Neem de plaatselijk geldende wet- en regelgeving voor recycling in acht.
- Wanneer het product niet langer wordt gebruikt, stuur het dan naar een Husqvarna-dealer of voer het af via een recyclingslocatie.

Technische gegevens BMP 335

	3x400V, 50 Hz	3x480V, 60 Hz
Motorvermogen, kW	11+1,1	
Elektrische aansluiting, V	3x400	3x480
Frequentie, Hz	50	60
Voedingsconnector, pool/A	5/32	
Ampèreverbruik, A	19,6+3,4	
Werkbreedte, mm	335	
Draaisnelheid van freestrommel, min ⁻¹	1000	
Type lagervet	E08729	
Gewicht excl. trommel, kg	442	
Geluidsemisniveauniveau ¹³	100	
Geluidsvermogen ¹⁴	114	
Trillingsniveau (handgreep). m/s ² , ¹⁵	3,1	
Omgevingstemperatuur, °C	-5-40	
Diameter stofslangaansluiting, mm	100	

Let op: Als voor uw product een elektrische specificatie vereist is die niet in de tabel staat, moet u

contact opnemen met een Husqvarna-servicewerkplaats voor meer informatie.

Verlengkabels

Kabellengte	Dwarsdoorsnede			
	≤ 16 A	≤ 32 A	≤ 63 A	≤ 125 A
Berekend bij een voorzekering GG ¹⁶ :	16 amp	32 amp	63 amp	125 amp
> 20m	1,5 mm ²	2,5 mm ²	10 mm ²	25 mm ²

¹³ Onzekerheid 3 dB(A).

¹⁴ Onzekerheid 3 dB(A).

¹⁵ Onzekerheidsmarge 1,5 m/s²

¹⁶ De dwarsdoorsnedes moeten opnieuw worden berekend als een ander type voorzekering of voorzekering met andere afmetingen dan gegeven wordt gebruikt.

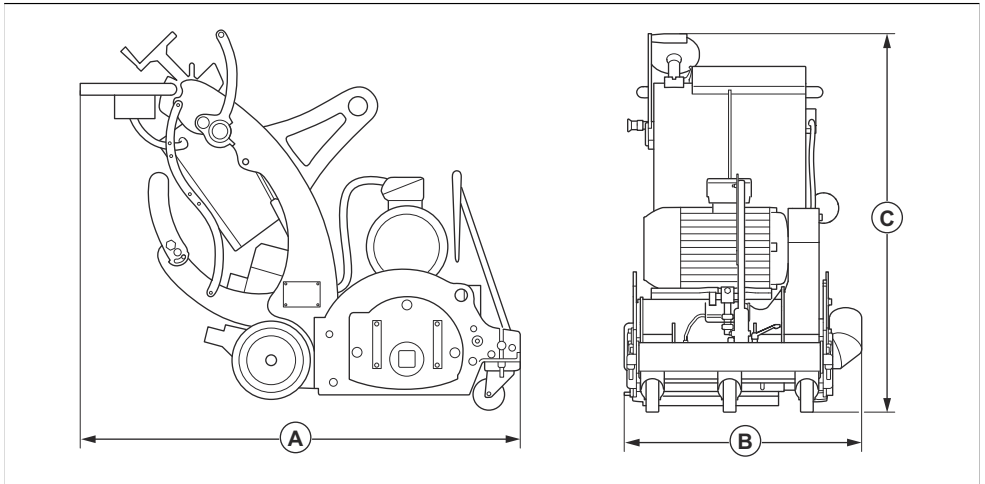
Kabellengte	Dwarsdoorsnede			
	≤ 16 A	≤ 32 A	≤ 63 A	≤ 125 A
20m > 50m	2,5 mm ²	4 mm ²	10 mm ²	25 mm ²
50m > 75m	4 mm ²	6 mm ²	16 mm ²	35 mm ²

Verklaring inzake geluid- en trillingsemissies

Deze aangegeven waarden zijn verkregen door middel van typeonderzoek in een laboratorium in overeenstemming met de genoemde richtlijn of normen en zijn geschikt voor vergelijking met aangegeven waarden van andere producten die volgens dezelfde richtlijn of normen zijn getest. Deze aangegeven

waarden zijn niet geschikt voor gebruik ten behoeve van risicoanalyses. Waarden die worden gemeten op afzonderlijke werkplekken, kunnen hoger zijn. De werkelijke blootstellingswaarden en het risico op letsel dat een individuele gebruiker ondervindt, zijn uniek en zijn afhankelijk van de manier waarop de gebruiker werkt, het materiaal waarvoor het product gebruikt wordt, de blootstellingstijd en de fysieke toestand van de gebruiker en de toestand van het product.

Productafmetingen



A	Lengte, mm	1410
B	Breedte, mm	750
C	Hoogte, mm	1158

Verklaring van overeenstemming

EU-verklaring van overeenstemming

Wij, Husqvarna AB, SE-561 82 Huskvarna,
Zweden, tel: +46- 36-146500, verklaren onder onze
alleenverantwoordelijkheid dat het product:

Beschrijving	Frees
Merk	Husqvarna
Type/model	BMP 335
Identificatie	Serienummers vanaf 2022 en verder

volledig voldoet aan de volgende EU-richtlijnen en
-regelgeving:

Richtlijn/Verordening	Beschrijving
2006/42/EG	"betreffende machines"
2014/30/EU	"betreffende elektromagnetische compatibiliteit"

en dat de volgende normen en/of technische
specificaties zijn toegepast:

EN ISO 12100:2010, EN 60204-1:2006

Partille, 2022-01-24



Martin Huber
R&D Director, Concrete Surfaces & Floors
Husqvarna AB, Construction-divisie
Verantwoordelijk voor technische documentatie





www.husqvarnacp.com

Original instructions
Originalanweisungen
Instructions d'origine
Originele instructies

1143047-20



2022-04-13