



# SERVICE MANUAL EBE900-DC

## VERSION 1.8

## Index

**Maintenance log** **03**

- 1. Spare parts** **04**
- 2. 900DC compressor airhose set**  
*valid for serial numbers: 1862E (10-2018) till present.*

**Contact**



**Inspection comments**

Inspection before initial operation on:	_____
By:	_____
Date of initial operation:	_____
Serial number & Year of manufacture:	_____

**Recurring inspections / maintenance log**

Date / hour counter	Findings	Repairs / Cleaning	Test on	By*

\*competent person



Fig. 01

Item	Part number	Description	Qty.
1	E10600	Cartridge filter	20
2	E10272	Frame 900DC	1
3	E10274	Wheel 400mm	2
4	E08743	Filter house	1
5	E08744	Door filter house	1
6	E09874	Locking bar	5
7	E10265	Filter house cover 900DC	1
8	E08753	Compressor cover	1
9	E10273	Castor wheel 400mm	2
10	E08754	Logo Blastrac	1
11	E11259	Filter bracket	5
12	E08768	Elbow	2
13	E09041	Rubber impact plate	2
14	E08784	Big bag	1
15	BE0672	Eye bolt M10x120	5
16	E10283	Pull bar	1

Fig. 02

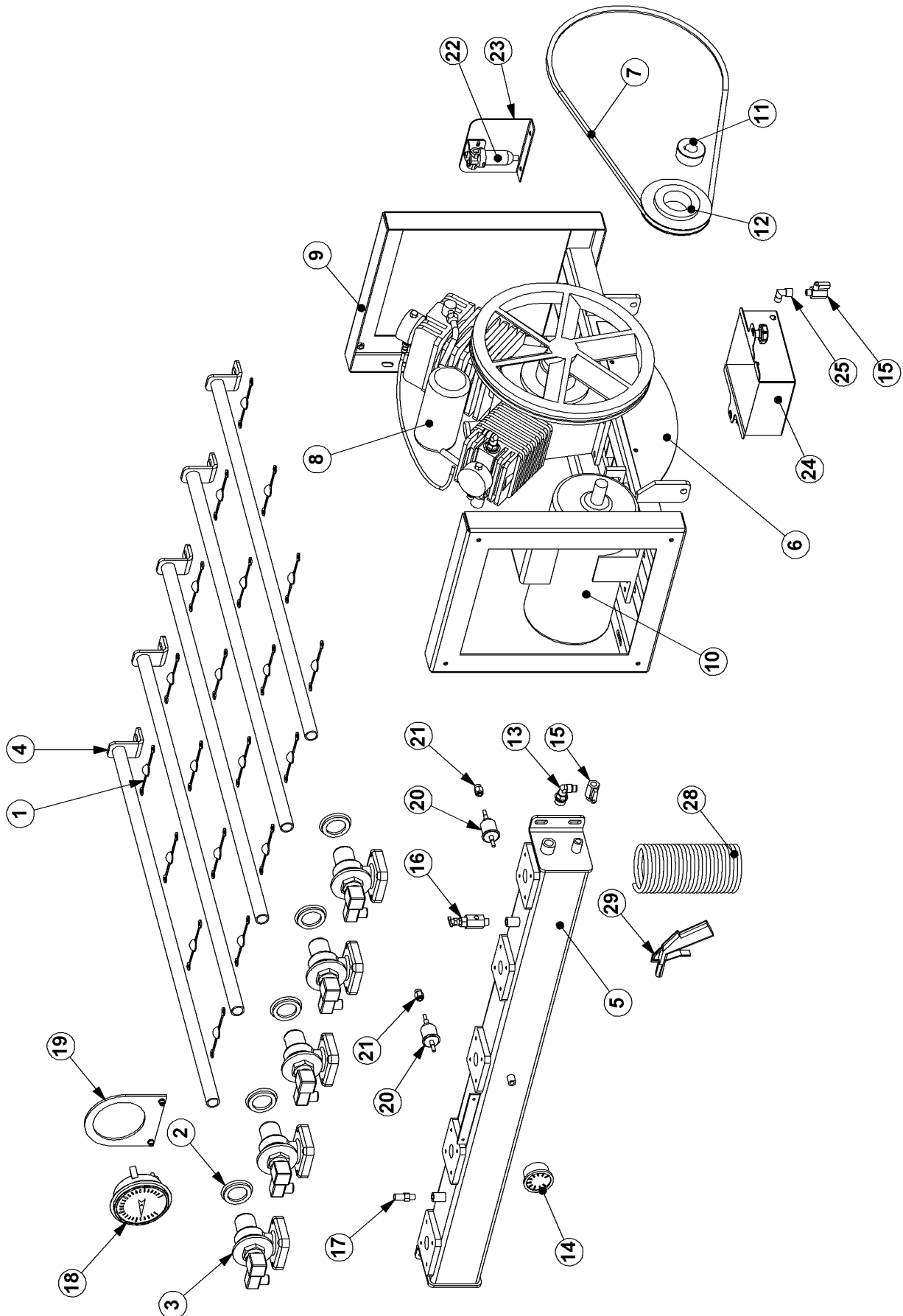
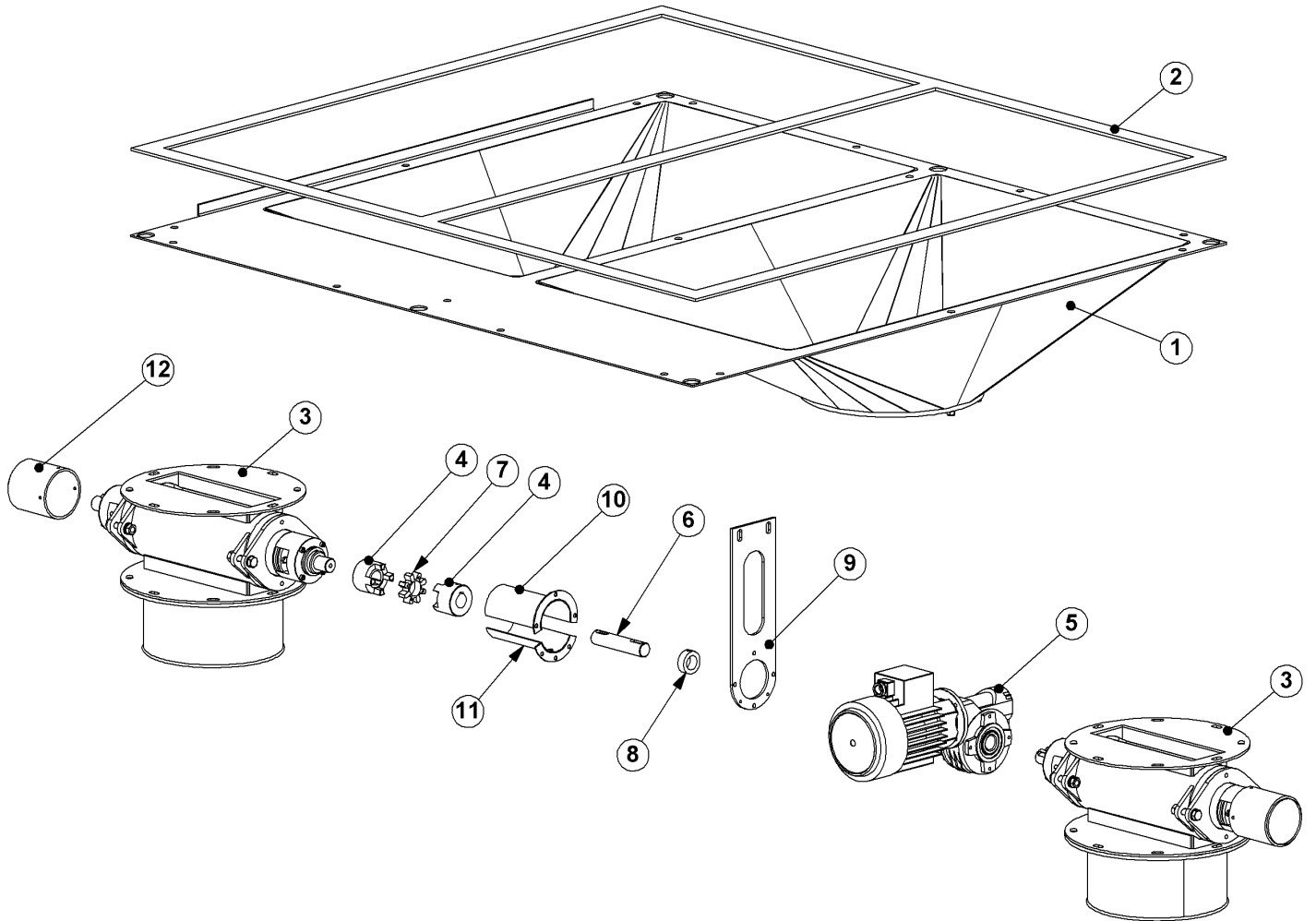


Fig. 02

Item	Part number	Description	Qty.
1	E07763	Divider	20
2	E04568	Filter house seal	5
3	E06366	Pulse valve only (without solenoid)	5
	E06366/1	Diaphragm assy for pulse valve	5
	E06367	Air valve solenoid 24V AC	5
4	E08748	Pulse pipe	5
5	E08749	Pulse tank	1
6	E08756	Protection plate	1
7	491825	V-belt 50Hz	1
	E00623	V-belt 60Hz	1
8	E00306	Compressor	1
9	E08751	Compressor bracket	1
10	976688	Compressor motor 1.5kW	1
11	222-2270	Taper lock bush	1
12	491824	Taper lock pulley	1
13	B20057	Adaptor knee 10x1/2"	1
14	E10349	Mounting manometer	1
15	E14003	Mini ball valve 1/4" m/f bsp	2
16	490691	Control valve	1
17	E01303	Safety valve	1
18	491837	Difference pressure manometer	1
19	E08773	Difference pressure manometer support	1
20	2381-365	Filter vacuum gauge	2
21	E03216	Hose conn.straight 6x1/4"mbsp	2
22	E07456	Water separator continuous drain system 1/4"	1
23	E08775	Plate water separator	1
24	E06932	Drain box	1
25	E03197	Knee 1/4" MBSPT x 1/4" FBSP	1
28	DA--9290.2	Airhose 6 MM. L 5 MTR.	1
29	DA--9290.1	Airpistol	1

**Fig. 03**

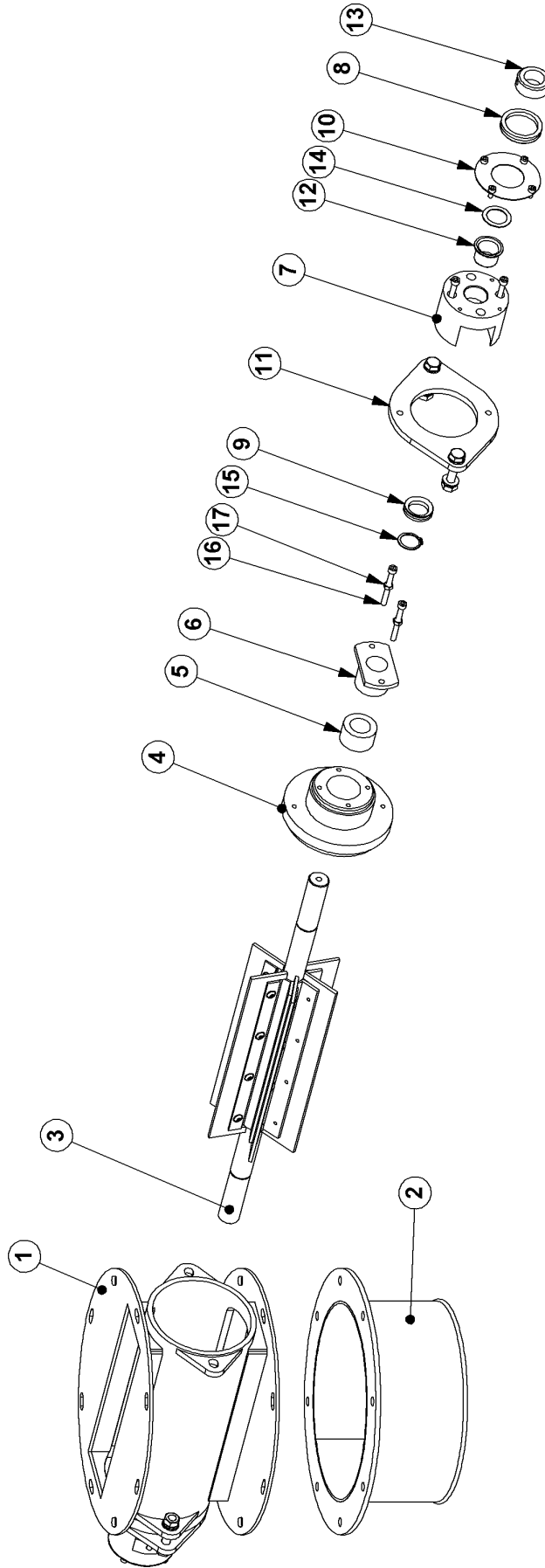




**Fig. 03**

Item	Part number	Description	Qty.
1	E08766	Dust hopper	1
2	E00689	Adhesive seal 20x5 L=13500	1
3	E09024	Rotating valve assembly	2
4	E09040	Rotex coupling	2
5	E00590	Drive motor AC incl. gearbox	1
6	E09010	Coupling shaft	1
7	E04052	Rotex coupling insert	1
8	BE0162	Adjusting ring 25x40x16	1
9	E09009	Drive motor plate	1
10	E09012	Protection cover	1
11	E09020	Protection cover bottom	1
12	B20515	Shaft cover	2

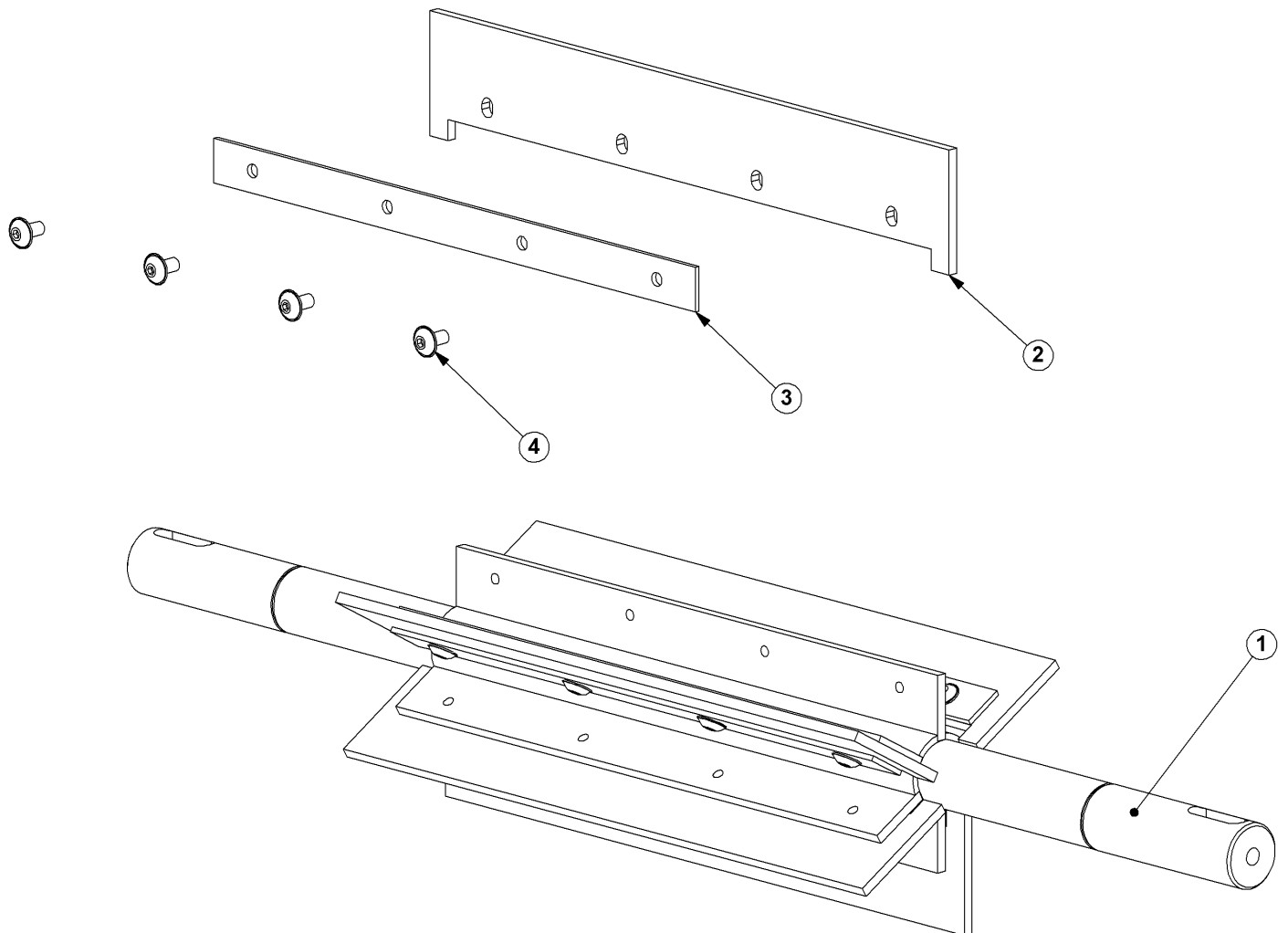
Fig. 04



**Fig. 04**

Item	Part number	Description	Qty.
1	E09022	Rotating valve housing	1
2	E09023	Big bag adapter	1
3	E09025	Rotating valve axle complete	1
4	E09029	Seal house	2
5	E09030	Gland seal	2
6	E09031	Pressing bush	2
7	E09032	Bearing house valve	2
8	E09033	V-seal Ø40 shaft	2
9	E09034	V-seal CR 400450	2
10	E09035	Valve cover	2
11	E09011	Clamp plate	2
12	E06032	Flanged bush 25x28 L21.5	2
13	BE0162	Adjusting ring 25x40x16	2
14	-	Shim 25x35x1	2
15	-	Circlip Ø25 for shaft	2
16	-	M6x55 Hexagon Socket Head Cap	8
17	-	M6-Nut	4

Fig. 05



**Fig. 05**

Item	Part number	Description	Qty.
1	E09026	Rotating valve axle	1
2	E09027	Rotating valve rubber blade	6
3	E09028	Rotating valve clamp plate	6
4	BE0685	M5x10 hex socket butt h cap w flange	24



**Fig. 06**

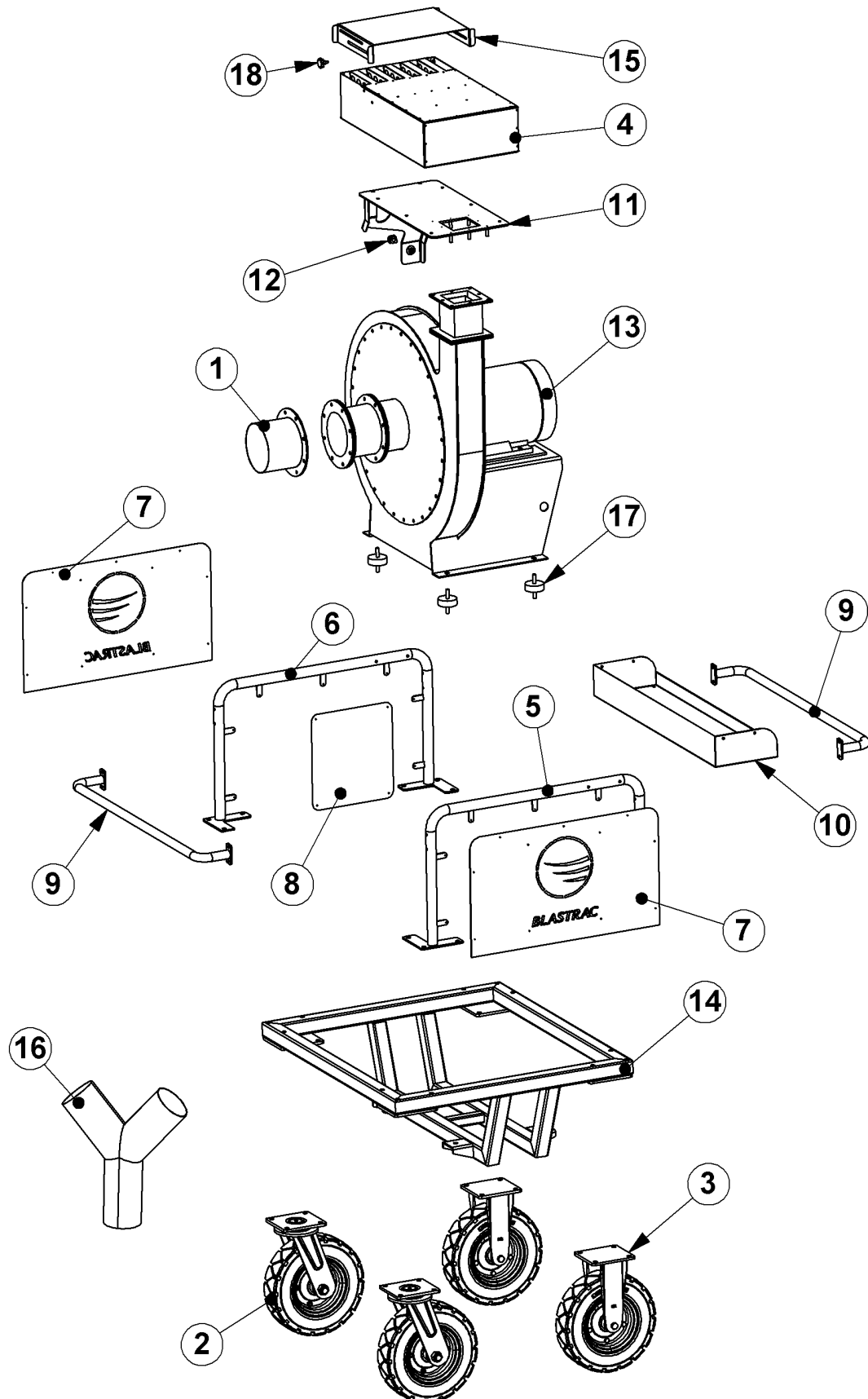
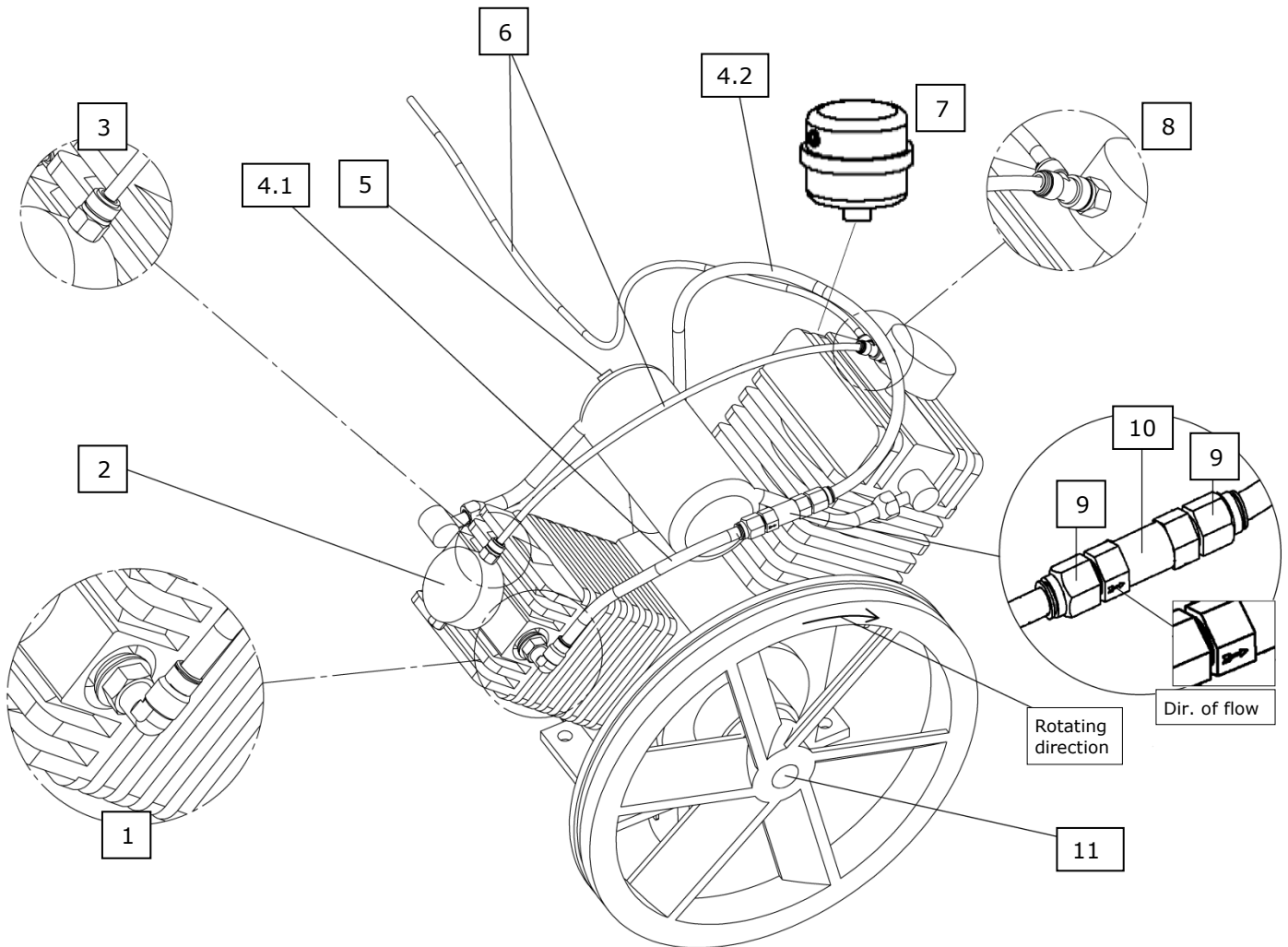


Fig. 06

Item	Part number	Description	Qty.
1	E11211	Reduction fi 150 mm	1
2	E10273	Castor wheel 400mm	2
3	E10274	Wheel 400mm	2
4	E10276	Silencer	1
5	E11204	Frame left Blower	1
6	E11205	Frame left Blower	1
7	E11206	Cover plate Blower	2
8	E11207	Logo back plate	2
9	E11208	Handle Blower	2
10	E11209	Tool box blower	1
11	E11210	Bracket silencer	1
12	E11213	Pin fi 26 mm	1
13	E10239	Blower housing cpl. EBE900-DC	1
14	E10277	Blower frame 900DC	1
15	E11092	Silencer top cover	1
16	E10280	Y-piece	1
17	E09208	Shock absorber	4
18		Knob M8	2

**Fig. 07**



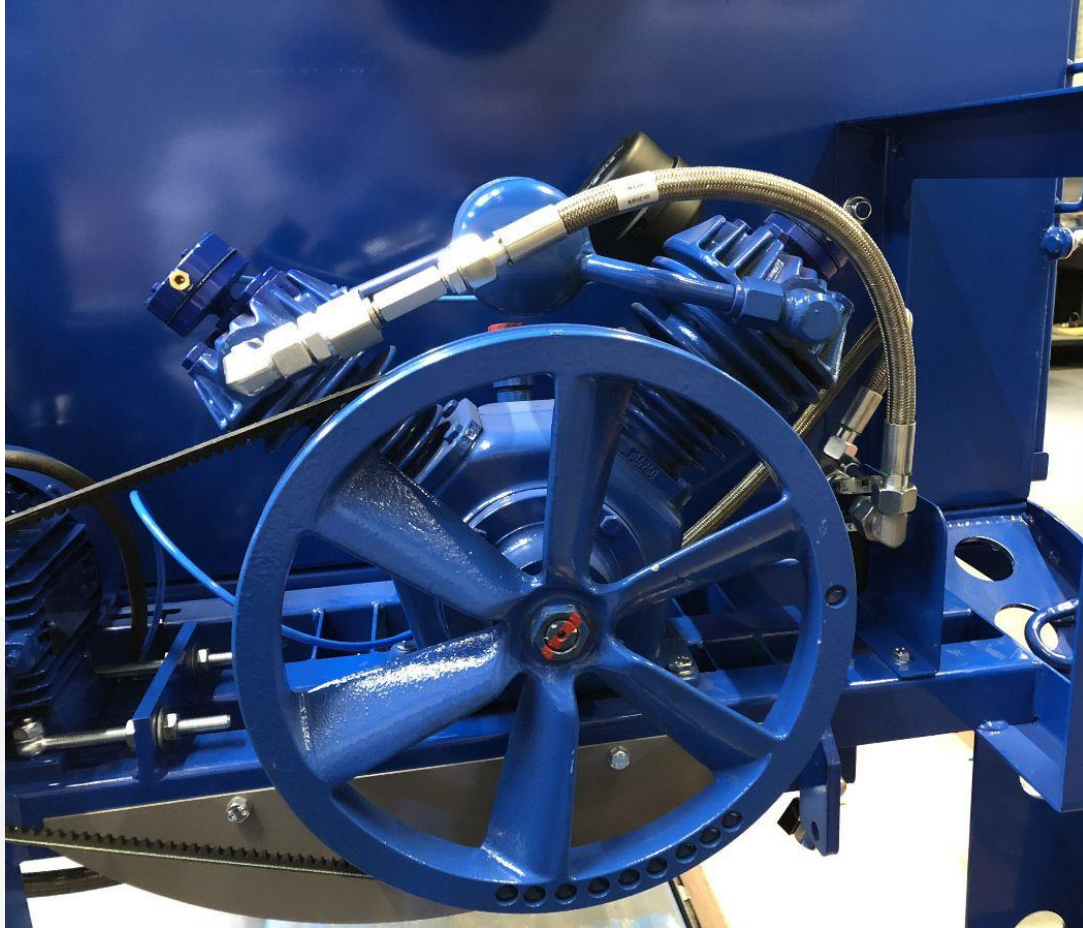
Item	Part number	Description	Qty.
1	E05058	Knee coupling	1
2	E00638	Head unloader only (1 set of 2)	1
3	E00669/COMPRESSOR	PA-hose adapter	1
4.1	E00579	PTFE hose 10x8mm	
4.2	E00474	PU hose 10x6.5mm Blue	
5	E05143	Safety valve	1
6	E00473	PU hose 6x4mm	
7	001244	Suction filter complete (incl. filter element)	1
	656384	Filter element only	1
8	E08179	T-coupling	1
9	E00674	Adaptor for hose connection	2
10	B21750	Non return valve for delivery hose	1
11	E00306/NUT	Nut for compressor	1
	E00498	Compressor oil	0.5L





**900DC compressor airhose set**  
**Valid for serial number(s): 1862E till present**

**Fig. 08**



**Fig. 08**

Item	900DC compressor airhose set		Qty.
1	E13455	900DC compressor airhose set	1
2-8		See list below	

Item	Part number	Description	Qty.
2	E13456	Male stud coupling 15L- 1/2" seal	3
3	E13457	Elbow 90° swivel coupling 15L X	1
4	E13458	Male stud connector BSP ED	2
5	E13459	Straight coupling 15L swivel- 1/2" BSP Thread	1
6	E13463	Non-return valve 1/2" female-female	1
7	E13461	Hose 0816-08 with L15 swivel 90° length= 500mm	1
8	E13462	Hose 0816-08 with L15 swivel 90° length= 500mm	1



## BLASTRAC EUROPE

WE'RE READY TO ASSIST YOU!

### BLASTRAC THE NETHERLANDS

#### EUROPEAN HEAD OFFICE

Utrecht haven 12  
 NL - 3433 PN Nieuwegein  
 Tel.: +31 (0)30 601 88 66  
 Fax: +31 (0)30 601 83 33  
 Email: [info@blastrac.nl](mailto:info@blastrac.nl)  
[WWW.BLASTRAC.EU](http://WWW.BLASTRAC.EU)

### BLASTRAC POLAND

#### SALES & SERVICE CENTRE

Golina, ul. Dworcowa 47E  
 63-200 Jarocin  
 Tel.: +48 (0)62 740-41-50  
 Fax: +48(0)62 740-41-51  
 Email: [info@blastrac.pl](mailto:info@blastrac.pl)  
[WWW.BLASTRAC.PL](http://WWW.BLASTRAC.PL)

### BLASTRAC FRANCE

#### SALES & SERVICE CENTRE

ZI - 29, Av. des Temps Modernes  
 F - 86360 Chasseneuil du Poitou  
 Tel.: +33 (0)5 49 00 49 20  
 Fax: +33 (0)5 49 00 49 21  
 Email: [info@blastrac.fr](mailto:info@blastrac.fr)  
[WWW.BLASTRAC.FR](http://WWW.BLASTRAC.FR)

### BLASTRAC ITALY

#### SALES & SERVICE CENTRE

S.S. 10 Padana Inferiore, 41  
 IT - 29012 Caorso (PC)  
 Tel.: +39 0523 814241  
 Fax: +39 0523 814245  
 Email: [info@blastrac.it](mailto:info@blastrac.it)  
[WWW.BLASTRAC.IT](http://WWW.BLASTRAC.IT)

### BLASTRAC GERMANY

#### SALES & SERVICE CENTRE

Richard-Byrd-Str. 15  
 50829 Köln  
 Tel.: +49 (0) 221 709032-0  
 Fax: +49 (0) 221 709032-22  
 Email: [info@blastrac.de](mailto:info@blastrac.de)  
[WWW.BLASTRAC.DE](http://WWW.BLASTRAC.DE)

### BLASTRAC UKRAINE

#### SALES & SERVICE CENTRE

Nezalezhnosti 14, of. 21  
 07400 Brovary  
 Tel.: +38 (0)44 222 51 28  
 Fax: +38 (0)44 277 98 29  
 Email: [info@blastrac.com.ua](mailto:info@blastrac.com.ua)  
[WWW.BLASTRAC.COM.UA](http://WWW.BLASTRAC.COM.UA)

### BLASTRAC SPAIN

#### SALES & SERVICE CENTRE

Calle del Estío, 9  
 E - 28500  
 Arganda del Rey, Madrid  
 Tel.: +34 91 660 10 65  
 Fax: +34 91 672 72 11  
 Email: [info@blastrac.es](mailto:info@blastrac.es)  
[WWW.BLASTRAC.ES](http://WWW.BLASTRAC.ES)

### BLASTRAC UNITED KINGDOM

#### SALES & SERVICE CENTRE

Unit 2a, Outgang Lane, Dinnington  
 Sheffield, South Yorkshire  
 GB - S25 3QU  
 Tel.: +44 (0) 1909 / 569 118  
 Fax: + 44 (0) 1909 / 567 570  
 Email: [info@blastrac.co.uk](mailto:info@blastrac.co.uk)  
[WWW.BLASTRAC.CO.UK](http://WWW.BLASTRAC.CO.UK)

### BLASTRAC MIDDLE EAST

#### SALES & SERVICE CENTRE

P.O. box 29424  
 Dubai / United Arab Emirates  
 Tel.: +971 4 3245760  
 Fax: +971 4 3245761  
 Email: [info@blastracdxb.ae](mailto:info@blastracdxb.ae)  
[WWW.BLASTRAC.AE](http://WWW.BLASTRAC.AE)

### BLASTRAC NORDIC

#### SALES & SERVICE CENTRE

Lekstorps Industriväg 13D,  
 443 41, Gråbo  
 Sweden  
 Tel.: +46 (0) 31 30 333 55  
 Email: [info@blastrac.se](mailto:info@blastrac.se)  
[WWW.BLASTRAC.SE](http://WWW.BLASTRAC.SE)

### BLASTRAC INDIA

#### SALES & SERVICE CENTRE

G.B. Warehousing, GAT NO- 523,  
 Pune- Nagar Road, Wagholi  
 Pune- 412 207  
 Tel.: +91 99213 98109  
 Email: [info.blastrac.in](mailto:info.blastrac.in)  
[WWW.BLASTRAC.IN](http://WWW.BLASTRAC.IN)