



SERVICE MANUAL BS-75

VERSION 1.3



Inspection comments

Inspection before initial operation on: _____

By: _____

Date of initial operation: _____

Serial number & Year of manufacture: _____

Recurring inspections / maintenance log

Date / Hour counter	Findings	Repairs / Cleaning	Test on	By*

*Competent person



Index

Maintenance Log	02
1. Spare parts	04
Tools and Accessories	11
Contact	



Fig. 01 BS-75 Chassis complete

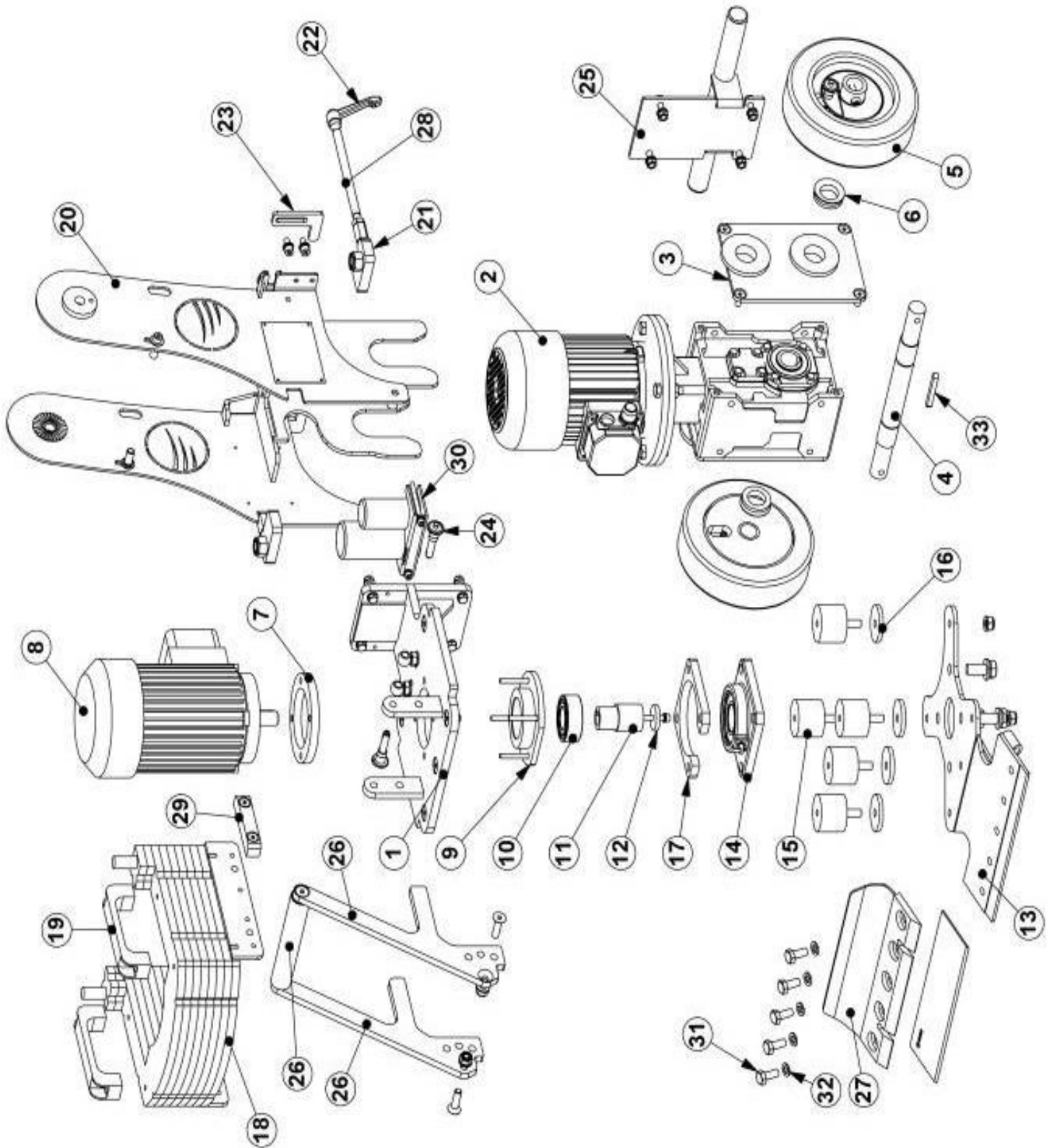


Fig. 01 BS-75 Chassis complete

Item	Part number	Description	Qty.
1	E12963	Chassis	1
2	E09311	Drive motor + reductor	1
3	E12964	Adapter plate	2
4	E09313	Drive shaft	1
5	E09315-2	Wheel with hub	2
	E09407-2	Wheel hub only	2
6	E09386	V-ring seal Ø28	2
7	E09359	Fill up plate	1
8	E09355	Motor 0,75kW 230V / 50-60Hz	1
	E09356	Motor 0.75kW 110V / 50-60Hz	1
9	E09308	Support bearing house	1
10	BG11817	Bearing	1
11	E09319	Eccentric bush	1
12	E09235	Motor washer	1
13	E12975	Cutting head	1
14	E09215	Cutting head bearing	1
15	E09208	Shock absorber 50x40 type B	5
16	E09320	Fill up washer	5
17	E09321	Bearing plate	1
18	E12965	Weight	1
19	E12966	Handle 8.5 x 151	2
20	E12967	Handle bottom section	1
21	E12968	Clamping lever part 1	2
22	BE0641	M10 x 14 clamp lever	2
23	E12971	Scraper plate	2
24	E10334	Quick release pin	2
25	E12973	Foot rest	1
26	E13521	Lifting handle complete	1
27	E13507	Blade cover	1
28	E13538	Clamping lever part 2	2
29	E13655	Protection strip	2
30	E13619	Condensator clamp	1
31	BE0039	M10x25 hexagon head screw	5
32	BE0006	M10 spring lock washer	7
33	BE0261	Key 8x7x60 DIN6885A	1

Fig. 02 Steering unit complete

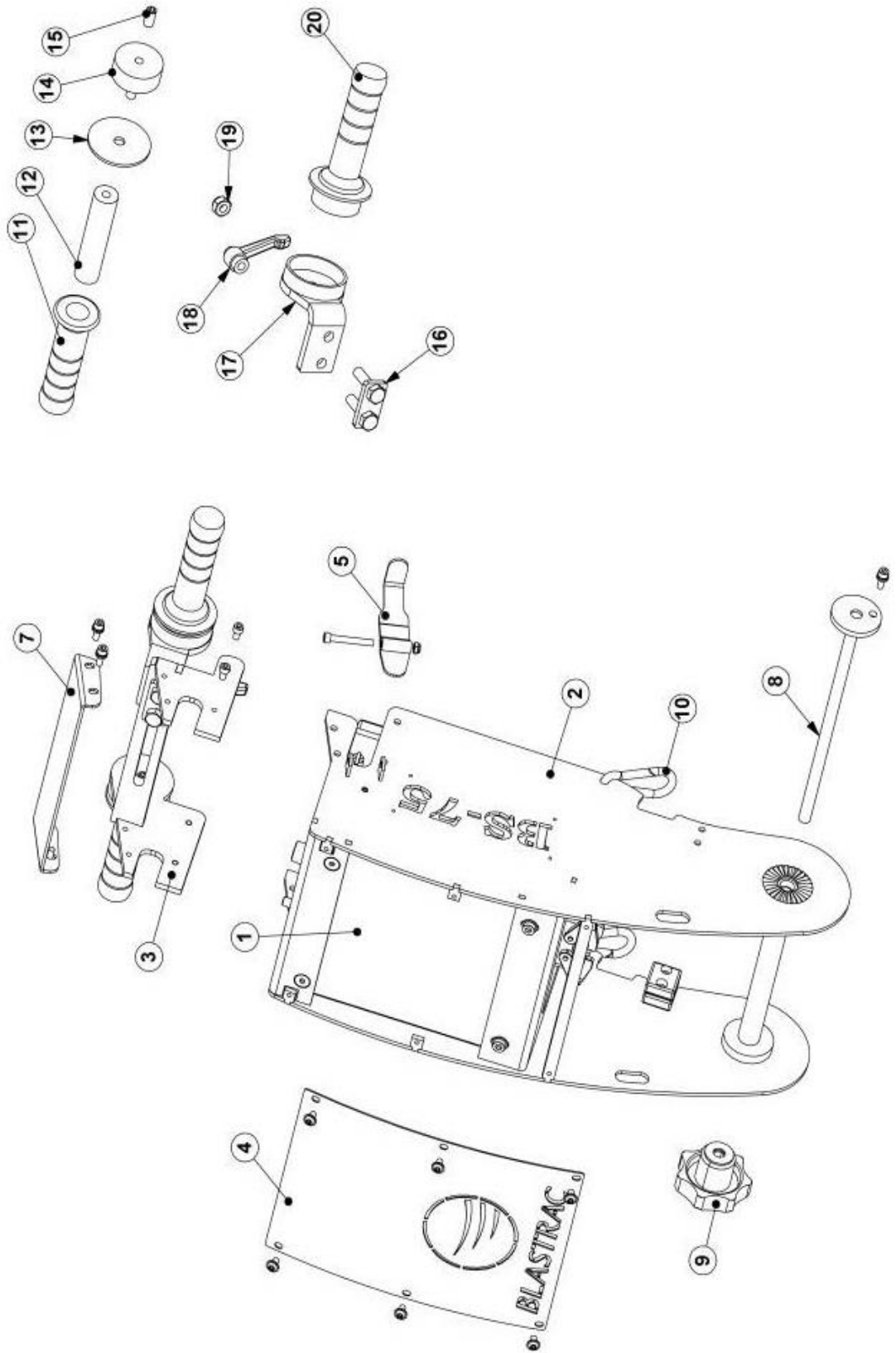
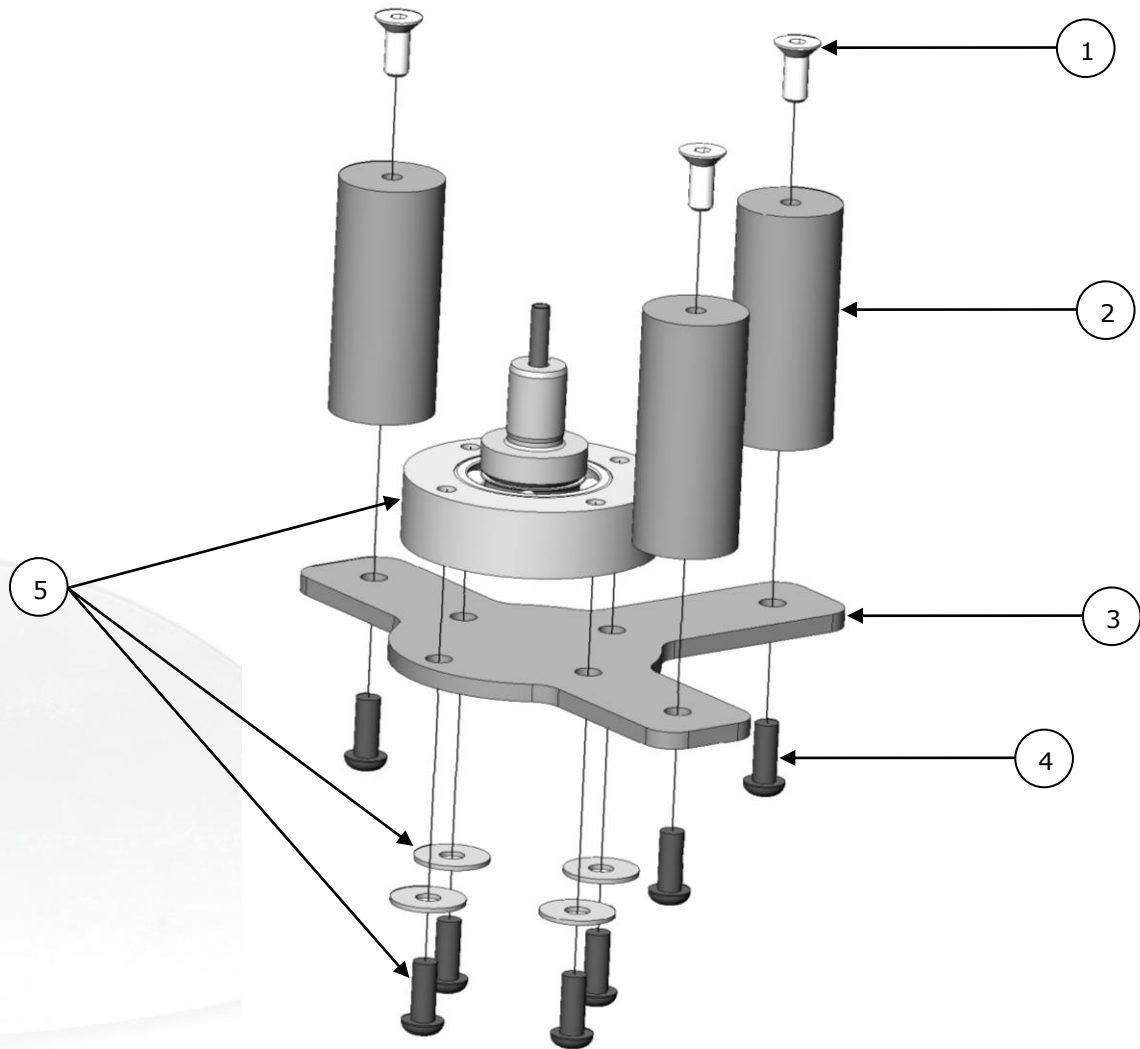


Fig. 02 Steering unit complete

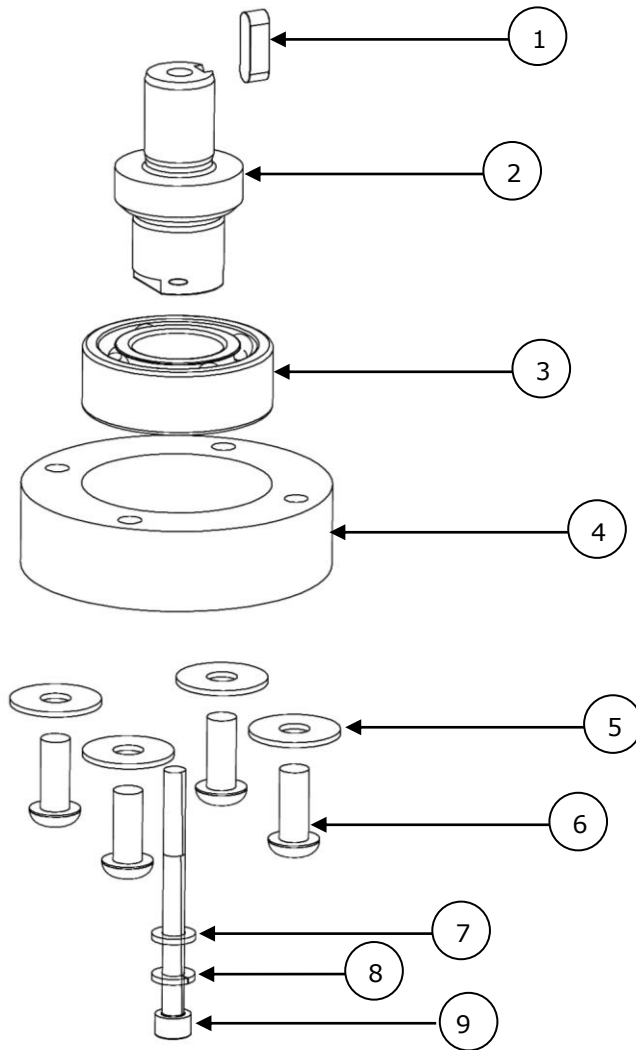
Item	Part number	Description	Qty.
1	E13317	Electric box for BS-75 1x230V	1
	E13318	Electric box for BS-75 1x110V	1
2	E12992	Handle	1
3	E12989	Handle complete	1
4	E12994	Logo plate Blastrac	1
5	E12998	Switch lever	2
6	E13506	Logo back plate	2
7	E13539	Cover	1
8	E13656	Axle	1
9	BE1095	Knob M12	1
10	BE0566	SNAP HOOK	2
11	453290	Handle grip	1
12	E09567	Handle bar	1
13	E09568	Handle washer	1
14	DG29	Shock absorber 50x20 type B	1
15	BE0720	M10x20 set screw	1
16	E12990	Slide plate	1
17	E12991	Slide bracket	1
18	BE0641	M10 x14 clamp lever	1
19	BE0023	M10 hexagon locking nut DIN-985	1
20	E09566	Flex handle complete	1

Fig.03 Axle support kit E13784

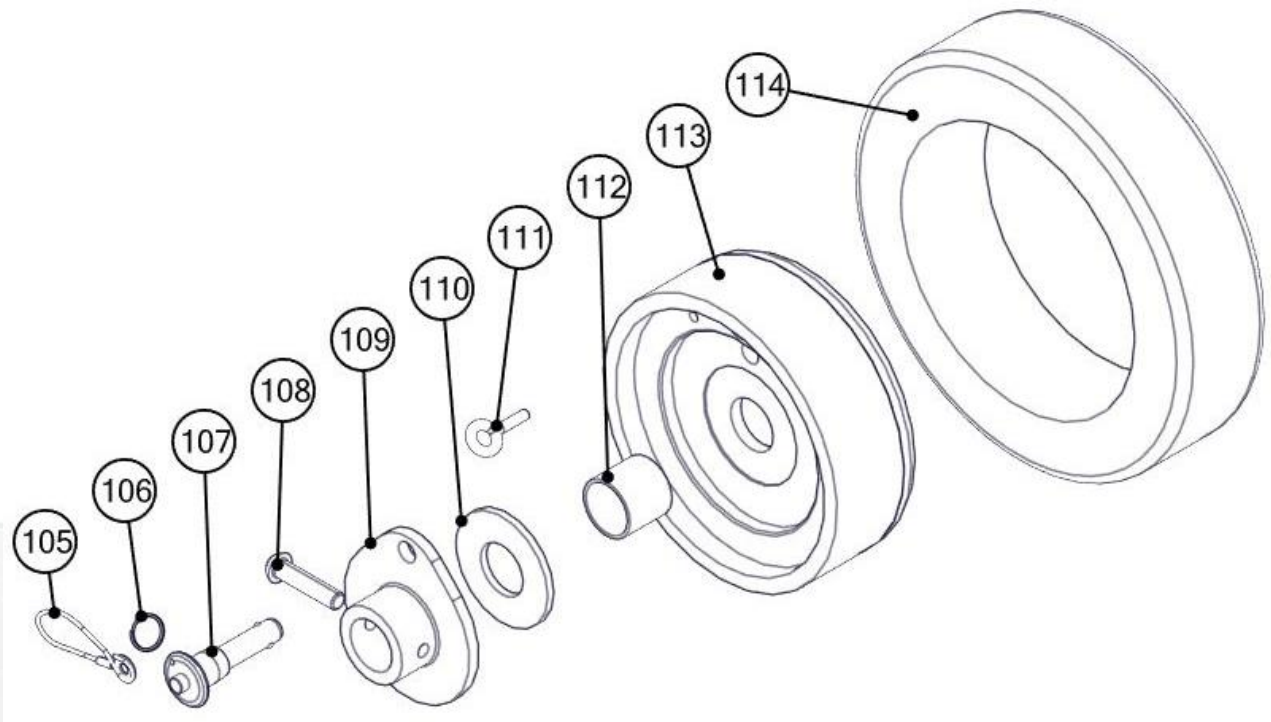


Item	Part number	Description	Qty.
1	BE0060	Hexagon socket countersunk head screw M8x20	3
2	E13782	Support bearing plate bush	3
3	E13781	Support bearing plate	1
4	BE0964	M8x20 socket buttonhead screw	3
5	E13779	Axle support kit	1
1-5	E13784	Axle support kit BS-75	1

Fig.04 Axle support kit E13779

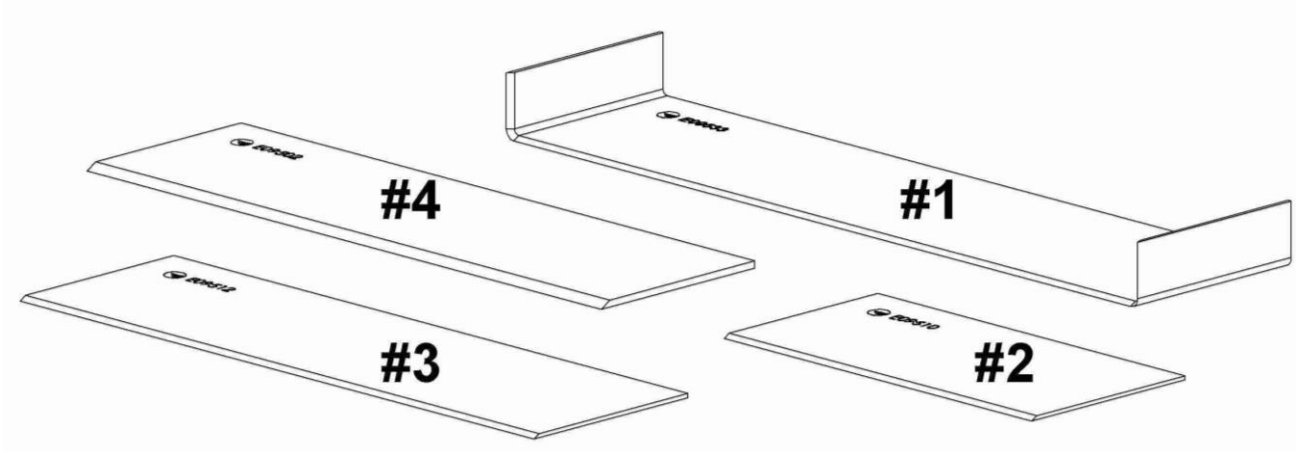


Item	Part number	Description	Qty.
1	BE0110	Key 6x6x20	1
2	E12497	Support bearing shaft	1
3	E12499	Bearing 2205 E-2RS1	1
4	E12498	Support bearing flange	1
5	BE0313	M8x25x1,5 Washer	4
6	BE0964	M8x20 socket buttonhead screw	4
7	BE0017	M6 spring lock washer	1
8	BE0016	M6 plain washer	1
9	BE1097	M6x70 Hex sockethead cap with loctite	1
1-9	E13779	Axle support kit	1

Fig.05 Drive wheel


Item	Part number	Description	Qty.
105	E13668	Cable	1
106	BE1099	Key ring	1
107	E10334	Quick release pin	1
108		M8x35 Buttonhead screw	1
109	E09407-2	Wheel hub	1
110	E10319	Sliding thrust washer	1
111	BE1101	M5x15 Eyebolt	1
112	E13777	Teflon bearing	1
113	E09317-1	Wheel insert	1
114	E09197	Wheel tire	1
108+109+ 110+112+ 113+114	E09315-2	Wheel with hub	1

Tools and Accessories

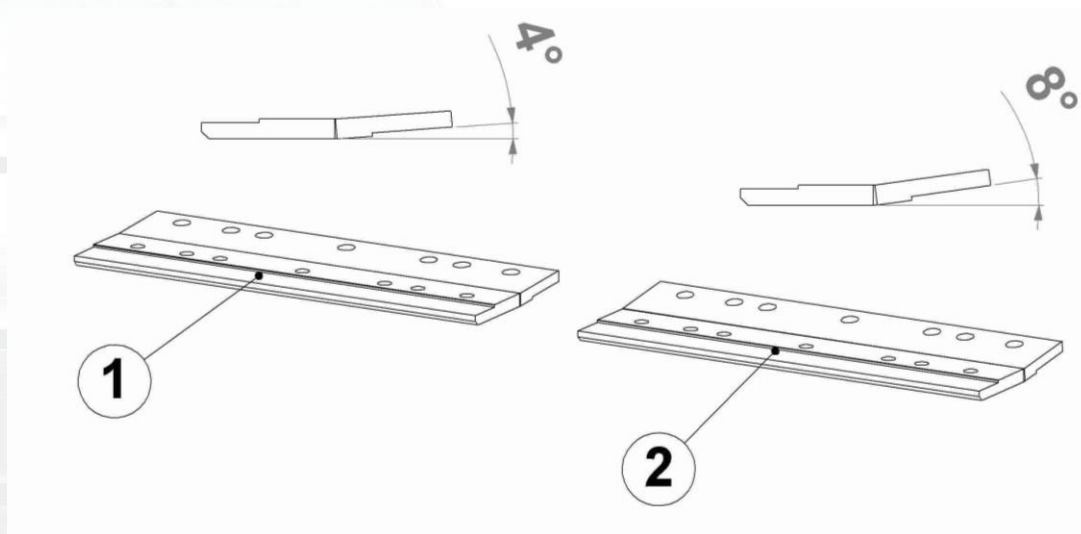


Blade #1 (Part No. E09533) - 305 x 76 mm, thickness 1,5 mm self-scoring blade, bevel up, carpet, soft (PVC, linoleum, rubber)

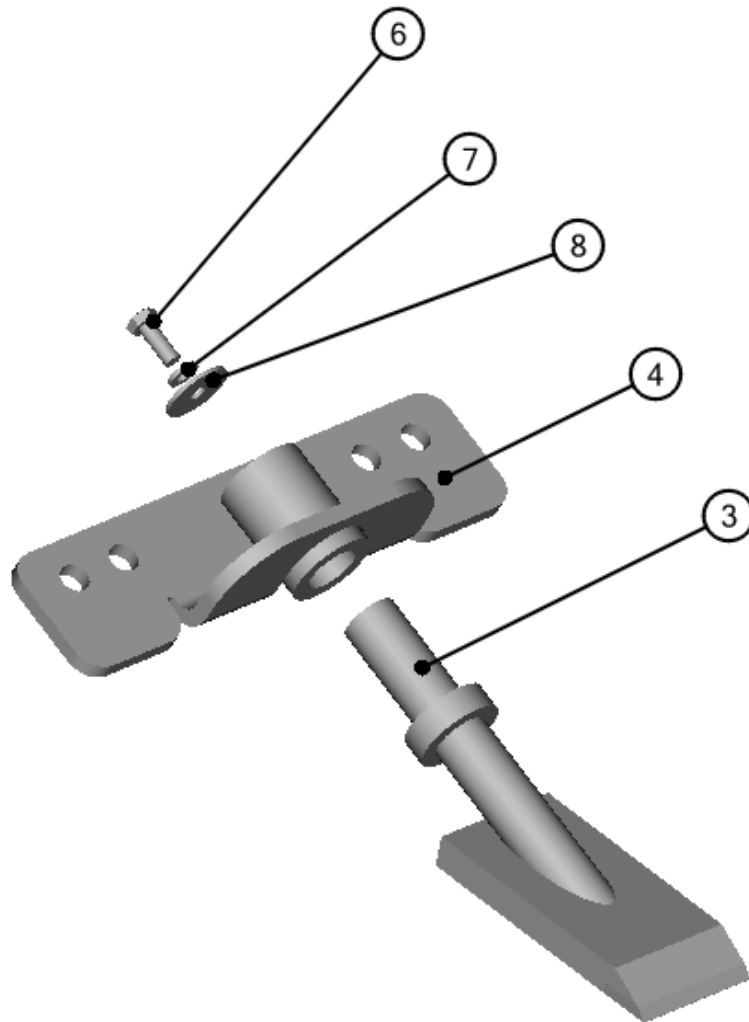
Blade #2 (Part No. E09510) - 152 x 76 mm, thickness 1,5 mm tile or linoleum on wood floors, difficult surfaces (ceramic, hardwood, heavy tile, etc.)

Blade #3 (Part No. E09512) - 254 x 76 mm, thickness 1,5 mm carpet, tile or resilient on wood & concrete floors

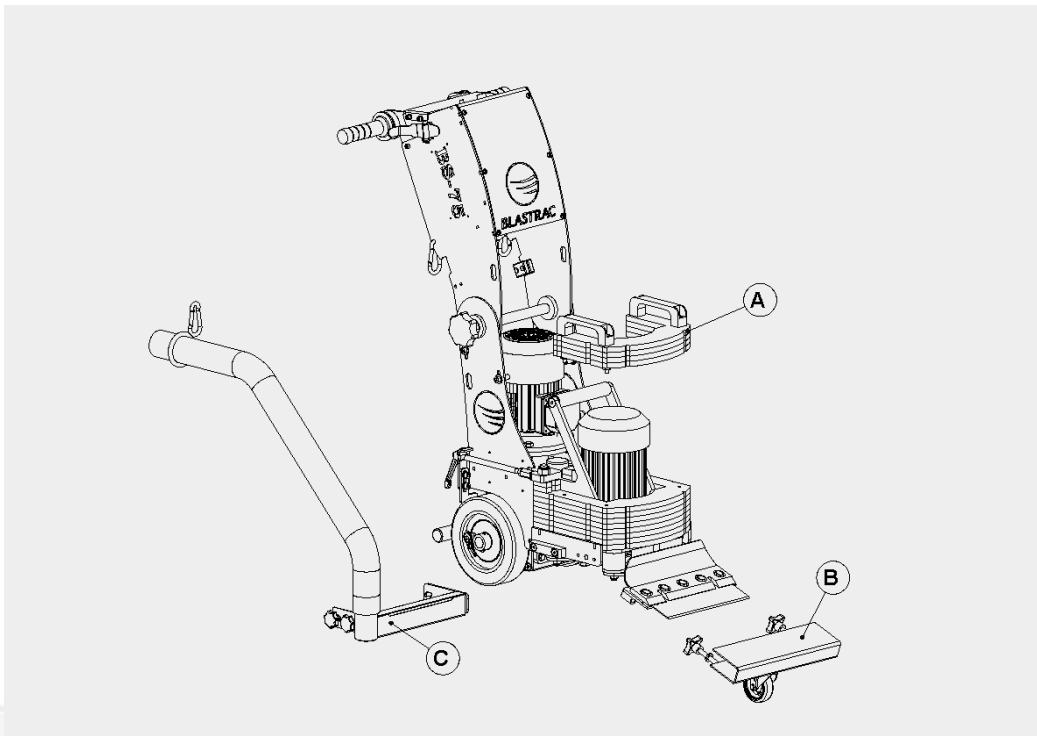
Blade #4 (Part No. E09502) - 254 x 76 mm, thickness 2,5 mm carpet, tile, PVC, Vct, tough coatings, hardwood & cork



Item	Part number	Description	Qty.
1	E09416	Angle adjustment 4 degrees	1
2	E09417	Angle adjustment 8 degrees	1



Item	Part number	Description	Qty.
3	E10107	Chisel for BS-110 / BS-75	1
4	E10106	Chisel holder for BS-110 / BS-75	1
6	BE0045	M6x16 hexagon head screw DIN933	1
7	BE0017	M6 spring lock washer	1
8	BE0312	M6x25x1,5 Washer	1



Item	Part number	Description	Qty.
A	E13540	Weight kit of 10 kg	1
B	E13542	Blade protection	1
C	E13530	Suction unit complete BS-75	1



BLASTRAC EUROPE

WE'RE READY TO ASSIST YOU!

BLASTRAC THE NETHERLANDS

EUROPEAN HEAD OFFICE
Utrecht haven 12
NL - 3433 PN Nieuwegein
Tel.: +31 (0)30 601 88 66
Fax: +31 (0)30 601 83 33
Email: info@blastrac.nl
WWW.BLASTRAC.EU

BLASTRAC POLAND

SALES & SERVICE CENTRE
Golina, ul. Dworcowa 47E
63-200 Jarocin
Tel.: +48 (0)62 740-41-50
Fax: +48(0)62 740-41-51
Email: info@blastrac.pl
WWW.BLASTRAC.PL

BLASTRAC FRANCE

SALES & SERVICE CENTRE
ZI - 29, Av. des Temps Modernes
F - 86360 Chasseneuil du Poitou
Tel.: +33 (0)5 49 00 49 20
Fax: +33 (0)5 49 00 49 21
Email: info@blastrac.fr
WWW.BLASTRAC.FR

BLASTRAC ITALY

SALES & SERVICE CENTRE
S.S. 10 Padana Inferiore, 41
IT - 29012 Caorso (PC)
Tel.: +39 0523 814241
Fax: +39 0523 814245
Email: info@blastrac.it
WWW.BLASTRAC.IT

BLASTRAC GERMANY

SALES & SERVICE CENTRE
Richard-Byrd-Str. 15
50829 Köln
Tel.: +49 (0) 221 709032-0
Fax: +49 (0) 221 709032-22
Email: info@blastrac.de
WWW.BLASTRAC.DE

BLASTRAC UKRAINE

SALES & SERVICE CENTRE
Nezalezhnosti 14, of. 21
07400 Brovary
Tel.: +38 (0)44 222 51 28
Fax: +38 (0)44 277 98 29
Email: info@blastrac.com.ua
WWW.BLASTRAC.COM.UA

BLASTRAC SPAIN

SALES & SERVICE CENTRE
Calle del Estío, 9
E - 28500
Arganda del Rey, Madrid
Tel.: +34 91 660 10 65
Fax: +34 91 672 72 11
Email: info@blastrac.es
WWW.BLASTRAC.ES

BLASTRAC UNITED KINGDOM

SALES & SERVICE CENTRE
Unit 2a, Outgang Lane, Dinnington
Sheffield, South Yorkshire
GB - S25 3QU
Tel.: +44 (0) 1909 / 569 118
Fax: + 44 (0) 1909 / 567 570
Email: info@blastrac.co.uk
WWW.BLASTRAC.CO.UK

BLASTRAC MIDDLE EAST

SALES & SERVICE CENTRE
P.O. box 29424
Dubai / United Arab Emirates
Tel.: +971 4 3245760
Fax: +971 4 3245761
Email: info@blastracdxb.ae
WWW.BLASTRAC.AE

BLASTRAC NORDIC

SALES & SERVICE CENTRE
Lekstors Industriväg 13D,
443 41, Gråbo
Sweden
Tel.: +46 (0) 31 30 333 55
Email: info@blastrac.se
WWW.BLASTRAC.SE

BLASTRAC INDIA

SALES & SERVICE CENTRE
G.B. Warehousing, GAT NO- 523,
Pune- Nagar Road, Wagholi
Pune- 412 207
Tel.: +91 99213 98109
Email: info.blastrac.in
WWW.BLASTRAC.IN