



***Service manual BMG-735PRO MKII***  
***Version 1.5***



## Index

<b>1.</b>	<b>Tools &amp; Accessories</b>	<b>02</b>
<b>2.</b>	<b>Spare parts</b>	<b>03</b>
	<b>Contact</b>	<b>23</b>



## 1. Tools & Accessories



<p><b>E07240-2</b> DIAMAG ADAPTER PLATE Ø240 MM <b>E12345</b> DIAMAG ADAPTER PLATE Ø240 MM</p>	<p><b>BG707321</b> #18 - 20 <b>BG707322</b> #30 - 40 BLUE GRINDING WING</p>	<p><b>BG707311</b> #18 - 20 <b>BG707312</b> #30 - 40 <b>BG707313</b> #60 - 80 <b>BG707314</b> #120 - 150 GREEN GRINDING WING</p>	<p><b>BG707301</b> #18 - 20 <b>BG707302</b> #30 - 40 <b>BG707303</b> #60 - 80 <b>BG707304</b> #120 - 150 RED GRINDING WING</p>	<p><b>BG707341-2</b> #30 - 40 BLACK GRINDING WING</p>
--	---	--	--	---



<p><b>E10692</b> DIAMAG ADAPTER PLATE WINGS PCD Ø240 MM</p>	<p><b>BG200997-1/SET</b> PCD SPLIT WING <b>BG200995-1/SET</b> PCD 1x1 WING</p>	<p><b>E09580</b> ROTARY PLATE ONLY Ø240 MM <b>E10240</b> PLATE Ø240 MM COMPLETE WITH BUSH HAMMER ROLLERS <b>E10240/SW</b> PLATE Ø240 MM COMPLETE WITH STAR WHEELS</p>	<p><b>E09119-2H</b> BUSH HAMMER ROLLER HEAVY Ø50 MM <b>BG300109</b> CUTTER WHEEL Ø50 MM</p>	<p><b>E09368/FINE</b> VELCRO PLATE Ø240 MM For Polishing pads <b>E09368/COARSE</b> VELCRO PLATE Ø240 MM For Maintenance pads</p>
---	--	---	---	--



<p><b>BG240001</b> #40            #1 - orange <b>BG240002</b> #100        #2 - Black <b>BG240003</b> #200        #3 - Blue <b>BG240004</b> #400        #4 - Red <b>BG240005</b> #800        #5 - White <b>BG240006</b> #1500      #6 - Yellow <b>BG240007</b> #3000      #7 - Green</p> <p>POLISHING PADS Ø240 MM</p>	<p><b>BG240M004</b> #400        #4 <b>BG240M005</b> #800        #5 <b>BG240M006</b> #1500      #6 <b>BG240M007</b> #3000      #7</p> <p>MAINTENANCE PADS Ø240 MM</p>	<p><b>005014SR</b> SUCTION HOSE Ø76 MM  (ORDER PER METER)</p>
---	--	---

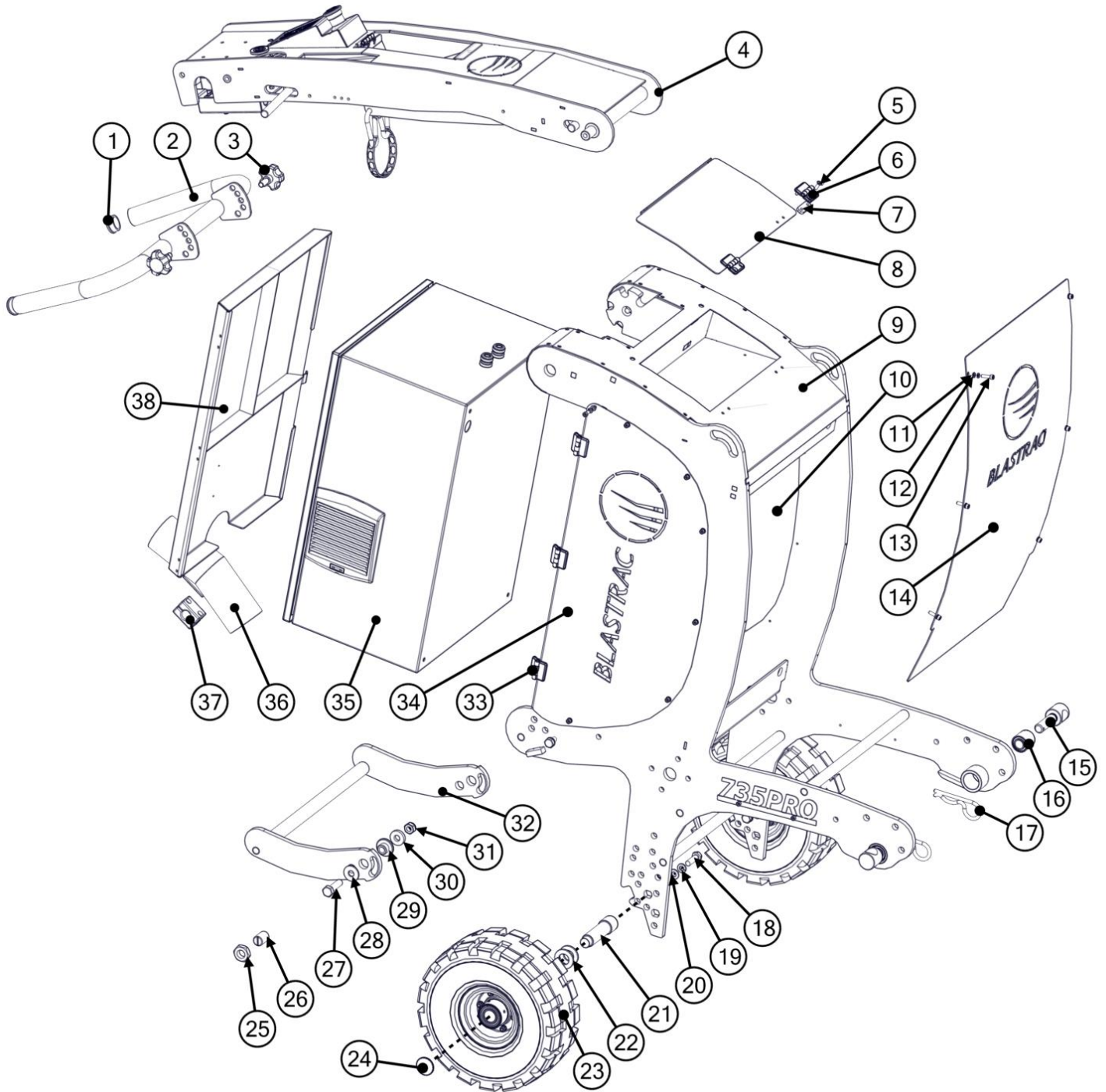


<p><b>E12288</b> FRONT SUPPORT GRINDERS</p>	<p><b>E12454</b> FRONT- TRANSPORT WHEELS</p>
---	--



## 2. Spare parts

Fig. 01 Frame complete



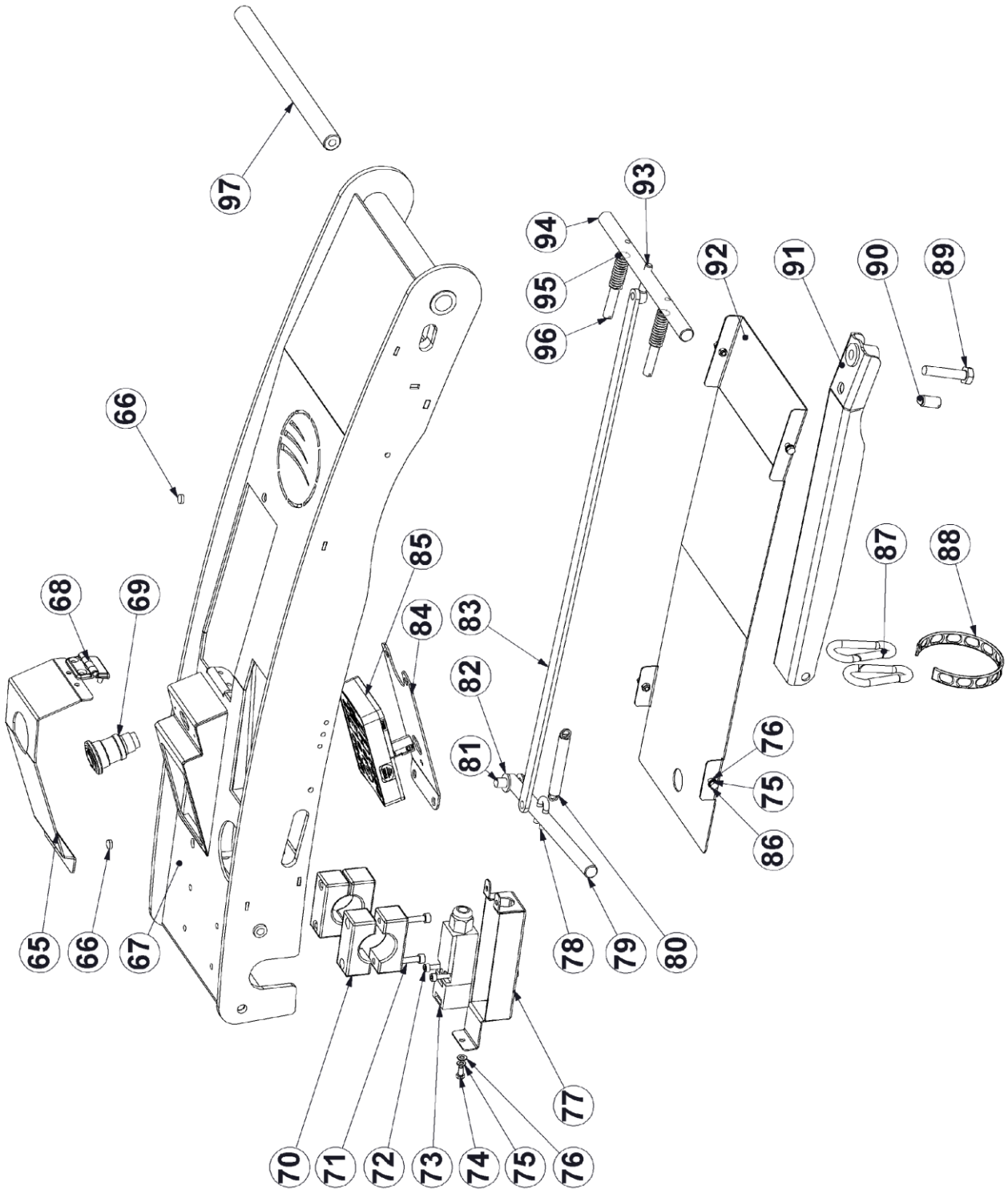


**Fig. 01**

Item	Part number	Description	Remarks	Qty.
1	BE0643	Tube cap round 35mm		2
2	E11229_BL	Steerhandle		1
3	E12534	Knob M10x25		2
4	E12376	Main handle		1
5	BE0451	M5x20 Countersunk head screw 10.9	ISO10642	4
-	BE0901	M5 Hex Flangelocknut/ins	Not shown	8
6	E12404	Hinge		2
7	E11537	Distance plate		2
8	E11536	Bonnet		1
9	E12268	MKII Frame		1
10	E11604	LH electro box side plate Blastrac		1
-	E11489	Clamp for electrobox cover	Not shown	1
11	BE0304	M5 Washer		20
12	BE0310	M5 Spring Lock Washer		20
13	BE0180	M5x12 Hexagon Socket Head cap	DIN912	6
14	E11602	Front cover Blastrac		1
15	E12981	Hinge bolt		2
16	E01492	Megi bush		2
17	BE0235	Spring lock 5mm		2
18	BE0040	M10x30 Bolt		2
19	BE0006	M10 Spring Lock Washer		2
20	BE0041	M10 Washer L-type		2
21	E12269	Wheel shaft		2
22	BE0335	Shim Ø25xØ35x0.5mm	DIN988	4
23	E12474	Non-marking wheel 305mm		2
24	BE0097	Starlock ring Ø20 with cap		2
25	BE0900	M20 Hex Nut Low		1
26	BE1068	Spring gland M20x30		1
27	BE0200	M12x45 Hexagon Socket Head cap	DIN912	2
28	BE0026	M12 Washer		2
29	E11543	Mounting bush		2
30	BE0026	M12 Washer		2
31	BE0073	M12 Locking Nut	DIN985	2
32	E11542	Tilting support		1
33	E10558	Hinge		3
	BE0901	M5 Hex Flangelocknut/ins	Not shown	12
34	E11603	RH electro box side plate Blastrac		1
35	E12365	Electro set 11kW 3x400V		1
	E12365/UL480	Electro set 11kW 3x480V		1
	E12365OVP/UL230	Electro set 11kW 3x230V		1
36	E12341	Hose connection 75mm		1
37	999-9154	Pipeclamp (set of 2) 20mm Black		1
38	E12519-BL	Electro box cover		1



Fig. 02 Handle complete



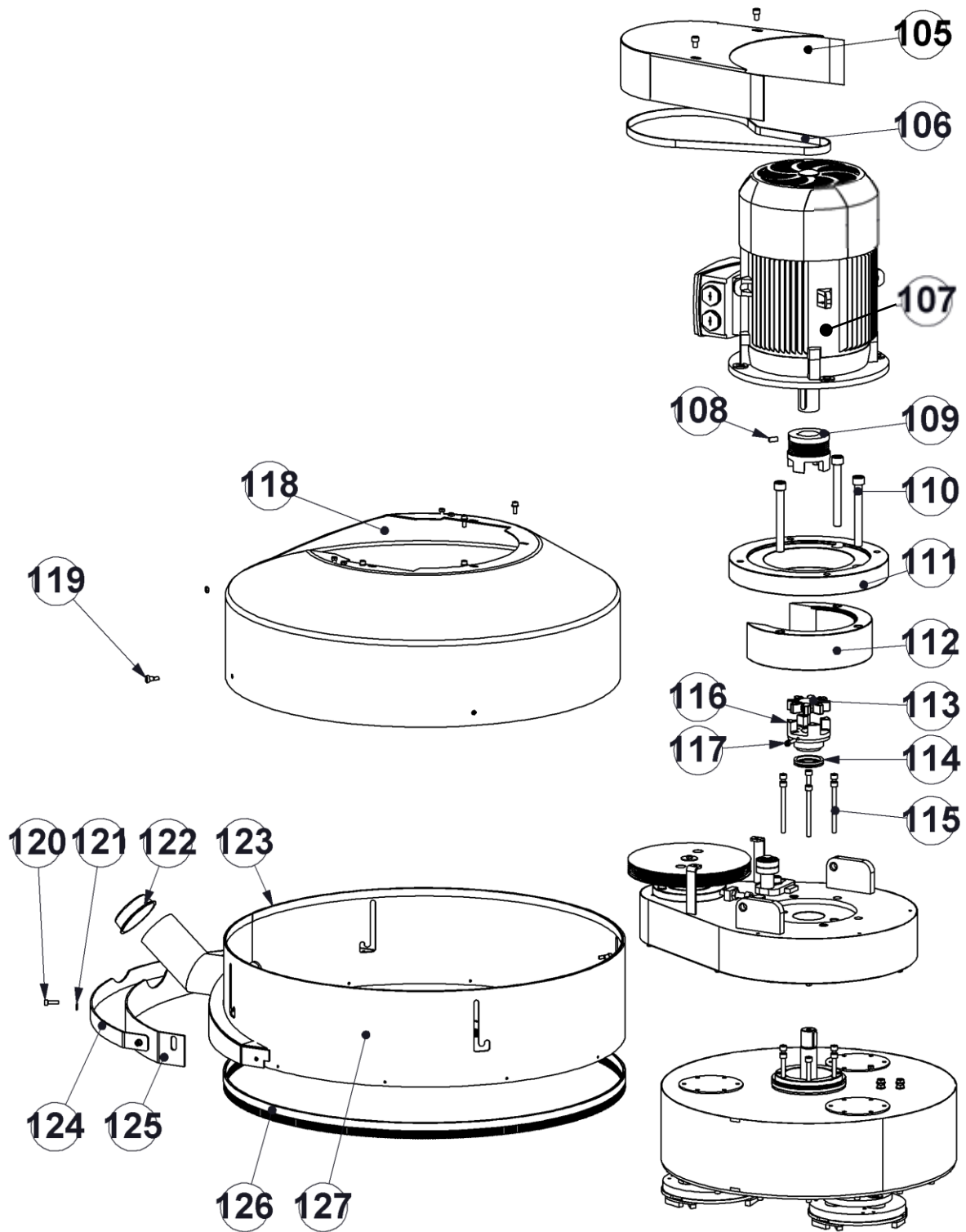


**Fig. 02**

Item	Part number	Description	Remarks	Qty.
65	E12380	Keypad cover		1
66	E06446	Magnet		2
67	E12375	Handle		1
68	E12404	Hinge		1
-	BE0952	M5x16 Countersunk head screw	Not shown	2
-	BE0901	M5 Hex Flangelocknut/ins	Not shown	4
69	E13002	Emergency stop		1
70	999-9156	Pipe clamp (set) 35mm		2
71	BE0191	M6x50 Hexagon socket head		4
72	BE0184	M5x30 Hexagon socket head		2
73	BG11760	Deadman switch		1
74	BE0180	M5x12 Hexagon Socket Head cap	DIN912	1
75	BE0310	M5 Spring lock washer		5
76	BE0304	M5 Washer		5
77	E11226	Deadman switch cover		1
-	BE0901	M5 Hex Flangelocknut/ins	Not shown	2
78	BE0712	Wire rope clamp 8mm DIN741_555		1
79	E11227	Unlocking handle		1
80	E10388	Tension spring		1
81	BE0054	M10x30 Hexagon Socket Head Cap		1
82	BE0004	M10 Washer		2
83	E10380	Push strip		1
84	E12379	Cover plate		1
-	BE1066	M6 Self-locking hex flange nut	Not shown	4
85	E10904	Keypad		1
86	BE0180	M5x12 Hexagon Socket Head cap	DIN912	4
-	BE0304	M5 Washer		4
87	BE0566	Snap hook		2
88	E07008	Chain for dusthose	11 links / 36 cm	1
89	BE0232	M10x50 hexagon bolt		1
90	E11284	M12x22 Resilient pressure piece		1
-	BE0075	M12 Hexagon nut (low)	Not shown	1
91	E11222	Hose arm		1
92	E11557	Cover steer handle		1
93	BE0702	M8x40 eye bolt		1
94	E11220	Locking axle		1
95	E09237	Spring 14,8x64x2,0		2
96	E10556	Spring axle		2
97	E12282	Axle steer handle		1
-	BE0442	M10x20 hex. socket head cap s. DIN912	Not shown	2
-	BE0006	M10 spring lock washer DIN127B	Not shown	2
-	BE0062	Washer M10x30x1,5	Not shown	2



Fig. 03 Machine complete





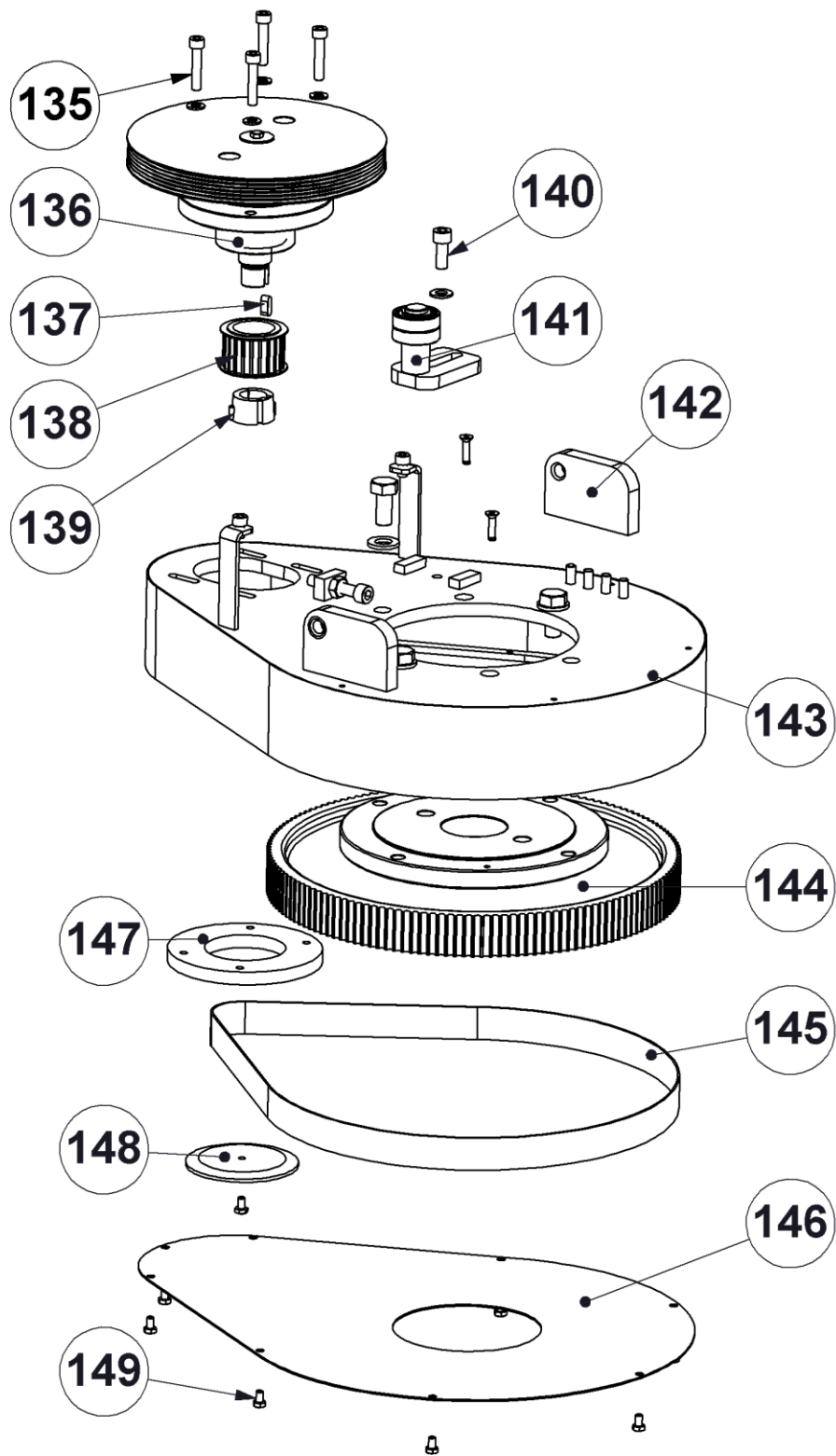


**Fig. 03**

Item	Part number	Description	Remarks	Qty.
105	BG005847	Protection cap		1
106	BG11924	Upper belt		1
107	BG11923-1IE2/BL	Motor 230V/400V		1
108	BE0654	M8x16 set screw	DIN 916	4
109	BG007808_2	Coupling upper part		1
110	BE0656	M14x140 hexagon socket head bolt	DIN 912	3
111	BG007810	Flange motor seat		1
112	BG007811	Motor seat		1
113	BG005844	Coupling plastic star		1
114	BG11829	V-seal		1
115	BE0635	M8x110 hexagon socket head bolt	DIN 912	6
116	BG007808_1	Coupling under part		1
117	BE0188	M6x25 hexagon socket head bolt	DIN 912	1
118	BG007339	Protection cover		1
119	BE0655	M6 8x12 hexagon shoulder screw 12.9	ISO7379	4
120	BE0020	M6x20 Hexagon Socket Head		4
121	BE0016	M6 Washer		4
122	E04551	Plastic cap		1
123	E06897	Slide strip		2,5m
124	E11523	Tightening steel strip		1
125	E11522	Rubber seal of floating shroud		1
126	BG-BRUSH 20MM	Brush for floating shroud		2.5m
127	E11521	Floating shroud BMG-735		1



**Fig. 04**      **Upper drive**





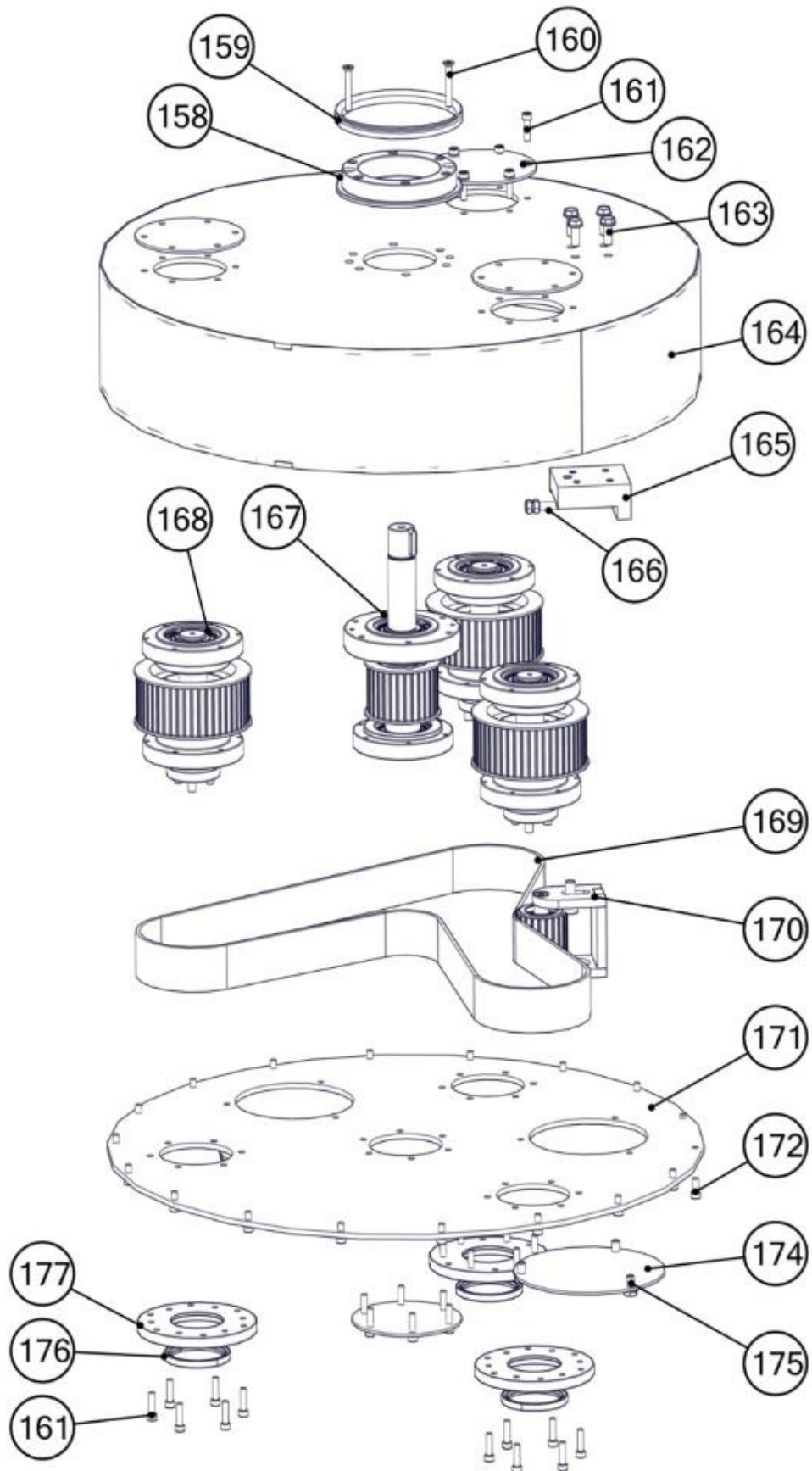
**Fig. 04**

Item	Part number	Description	Remarks	Qty.
135	BE0631	M8x40 hexagon socket head bolt	DIN 7984	4
136	BG005856	Contra pulley		1
137	BE0648	Key 8x7x18	DIN 6885A	1
138	BG005805-1	Pulley		1
139	E01560	Taperlock		1
140	BE0443	M10x25 hexagon socket head bolt		
141	BG005860	Upper tensioner		1
142	E12358	Holder with $\varnothing 18$		2
143	BG005809	Motorplate complete		1
144	BG005857	Centre pulley		1
145	BG11904	Middle belt	105 - 115Hz tension	1
146	BG005834	Lower plate upper drive		1
147	BG005807	Ring		1
148	BG007804	Flange		1
149	BE0350	M6x10 hexagon head screw		8





Fig. 05 Lower drive





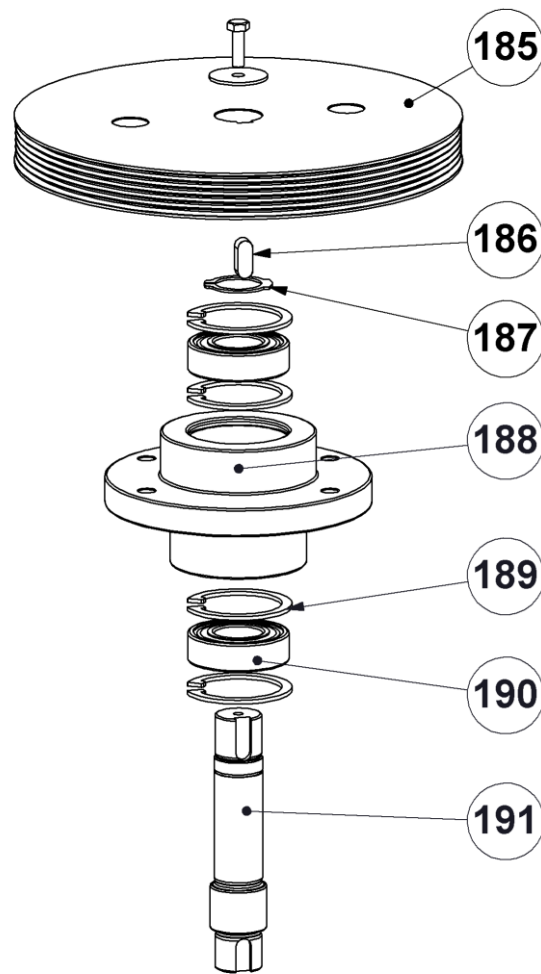
**Fig. 05**

<b>Item</b>	<b>Part number</b>	<b>Description</b>	<b>Remarks</b>	<b>Qty.</b>
158	BG005814	Ring		1
159	BG11849	V-seal		1
160	BE0617	M6x50 countersunk screw	DIN 7991	2
161	BE0188	M6x25 hexagon socket head bolt	DIN 912	30
162	BG005827	Cover		4
163	BE0030	M8x25 hexagon head bolt	DIN 933	4
164	BG007322-1	Housing complete		1
165	BG005832-1	Holder		1
166	BE0090	M8x40 hexagon head bolt	DIN 933	1
167	BG005858	Drive pulley		1
168	BG005859	Pulley		3
169	BG11940	Lower belt	65-70Hz	1
170	BG005861	Lower tensioner		1
171	BG007324	Lower plate 735PRO		1
172	BE0035	M6x16 hexagon socket head bolt	DIN 912	18
174	BG007850	Inspection cover		2
175	BE0082	M8x12 hexagon socket head bolt	DIN 912	6
176	E13891	Radial shaft seal		3
177	E15287	Plate for seal		3





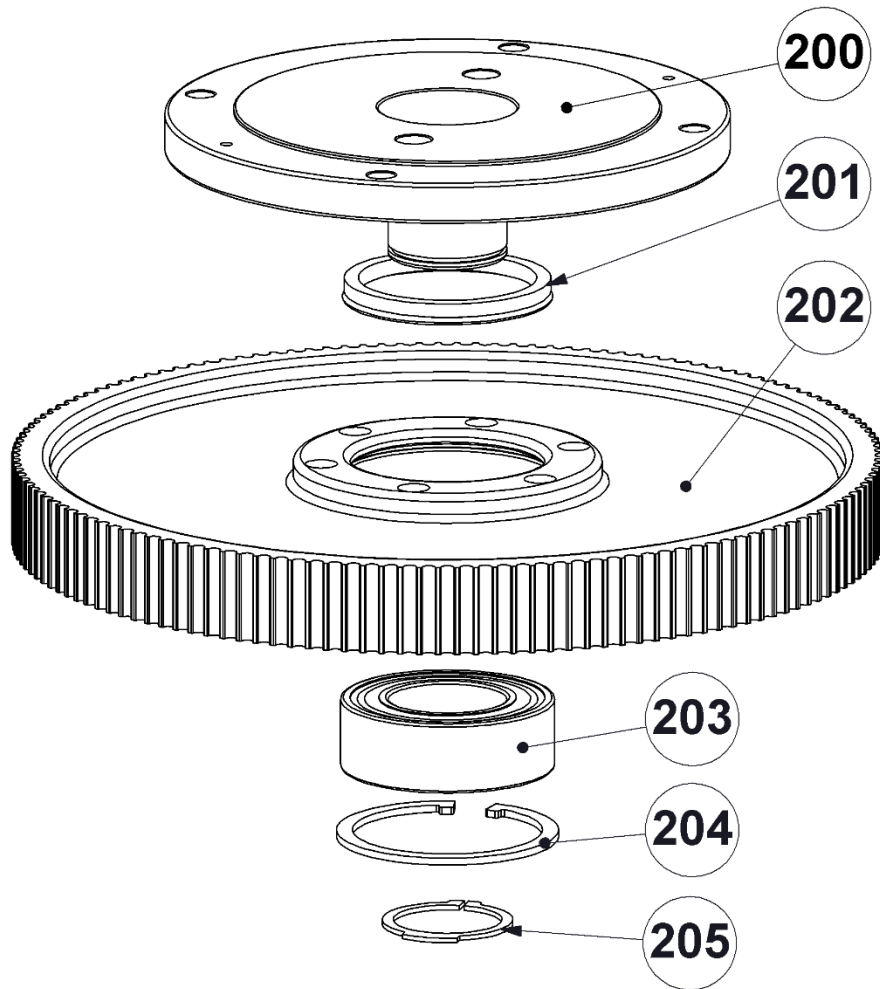
**Fig. 06**      **Contra pulley BG005856**



Item	Part number	Description	Remarks	Qty.
185	BG005803	Belt pulley		1
186	BE0109	Key 8x7x20	DIN 6885A	1
187	BE0076	Retaining ring for shaft Ø25	DIN 471	1
188	BG005802	Bearing house		1
189	BE0077	Retaining ring for bore Ø52	DIN 472	4
190	222-2331-E	Bearing		2
191	BG005801	Axle		1



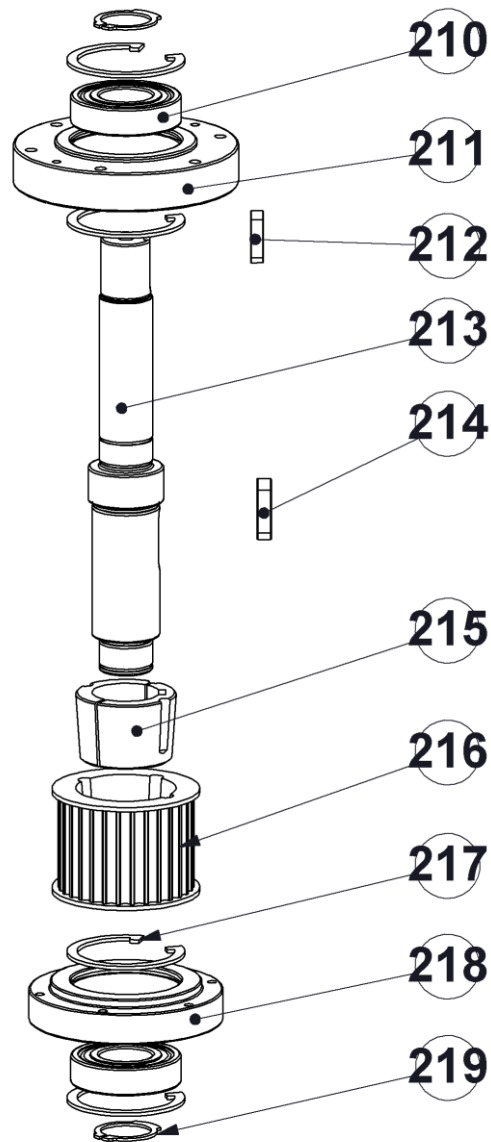
**Fig. 07** Centre pulley BG005857



Item	Part number	Description	Remarks	Qty.
200	BG005812	Sprocket		1
201	E03703	V-seal		1
202	BG005806	Pulley		1
203	E01490	Bearing		1
204	E03993	Retaining ring for bore Ø90	DIN 472	1
205	BE0126	Retaining ring for shaft Ø50	DIN 471	1



**Fig. 08 Drive pulley BG005858**

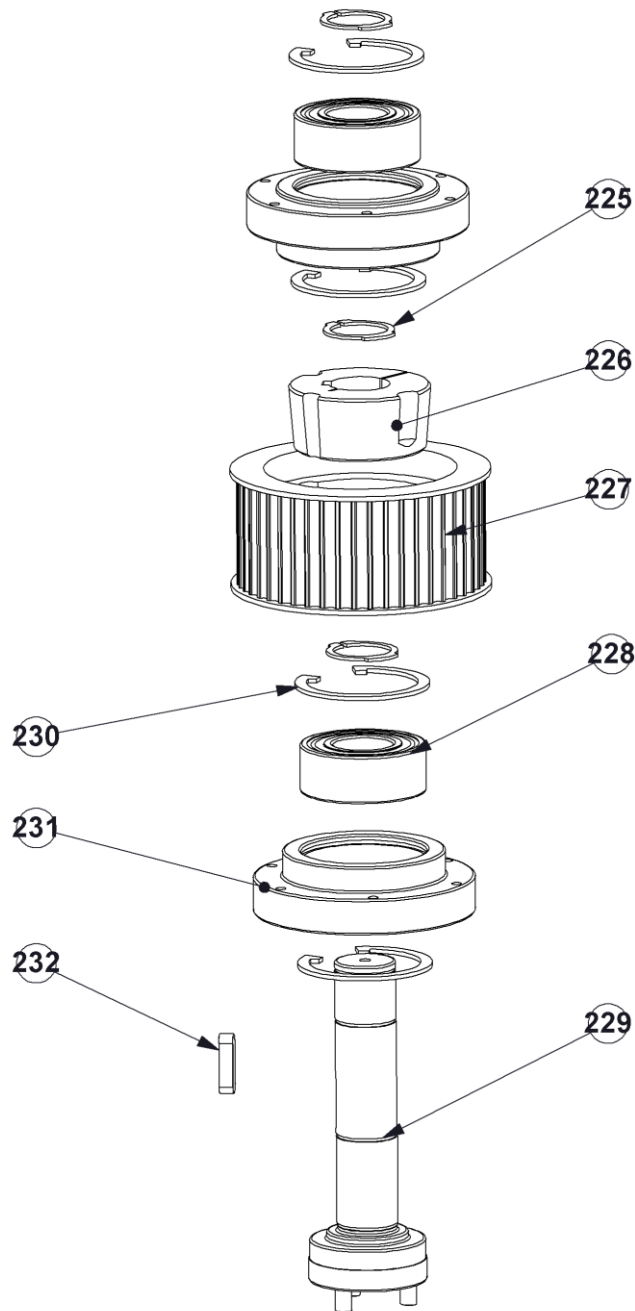


Item	Part number	Description	Remarks	Qty.
210	B20404	Bearing		2
211	BG005815	Bearing house		1
212	BE0256	Key 8x7x30	DIN 6885A	1
213	BG005818	Axle		1
214	BE0269	Key 10x8x32	DIN 6885A	1
215	E00718	Taperlock		1
216	BG005820	Pulley		1
217	E00951	Retaining ring for bore Ø62	DIN 472	4
218	BG005821	Bearing house		1
219	B21631	Retaining ring for shaft Ø30	DIN 471	2





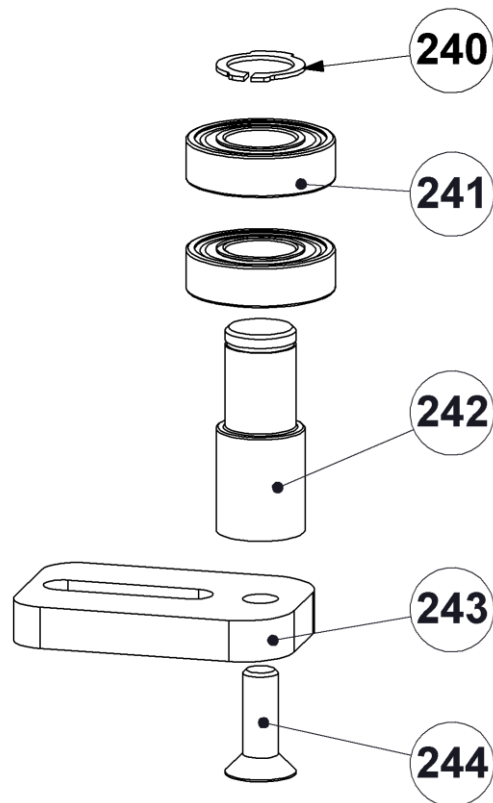
**Fig. 09 Pulley (3x) BG005859**



Item	Part number	Description	Remarks	Qty.
225	B21631	Retaining ring for shaft Ø30	DIN 471	3
226	RB100A3-350	Taperlock		1
227	RB165-2	Pulley		1
228	BG11817	Bearing		2
229	BG005816	Axle		1
230	E00951	Retaining ring for bore Ø62	DIN 472	4
231	BG005817	Bearing house		2
232	BE0256	Key 8x7x30	DIN 6885A	1



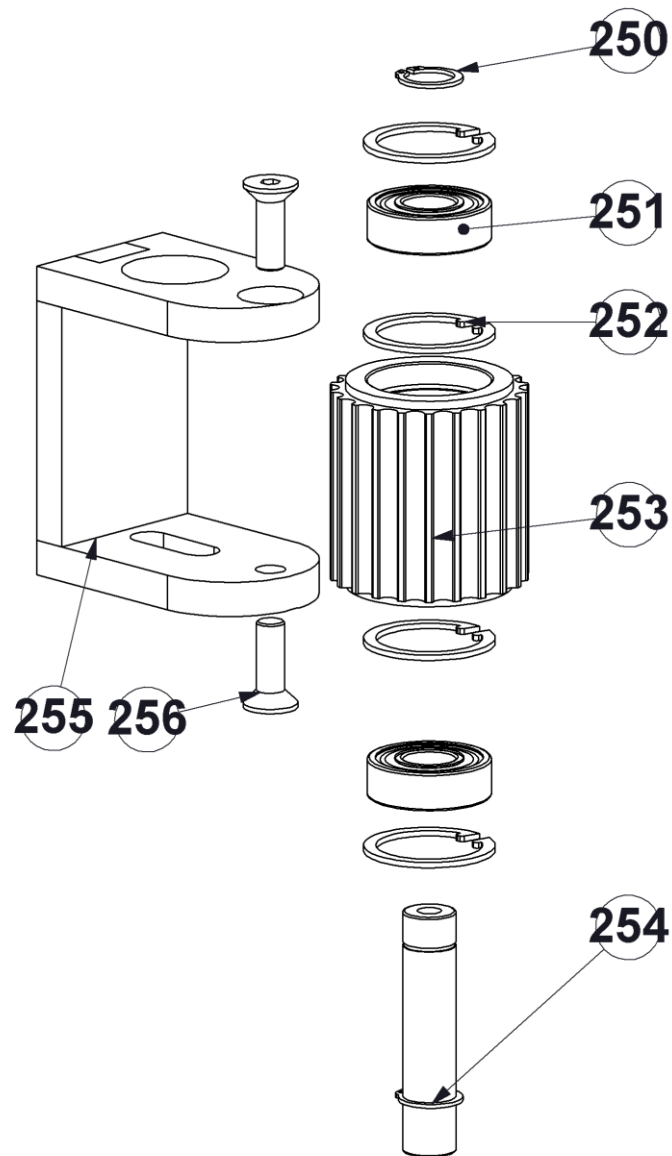
**Fig. 10** Upper tensioner BG005860



Item	Part number	Description	Remarks	Qty.
240	BE0074	Retaining ring for shaft Ø20	DIN 471	1
241	222-2245	Bearing		2
242	BG005830	Axle for tensioner		1
243	BG005831	Tension plate		1
244	BE0130	M10x25 countersunk screw	DIN 7991	1



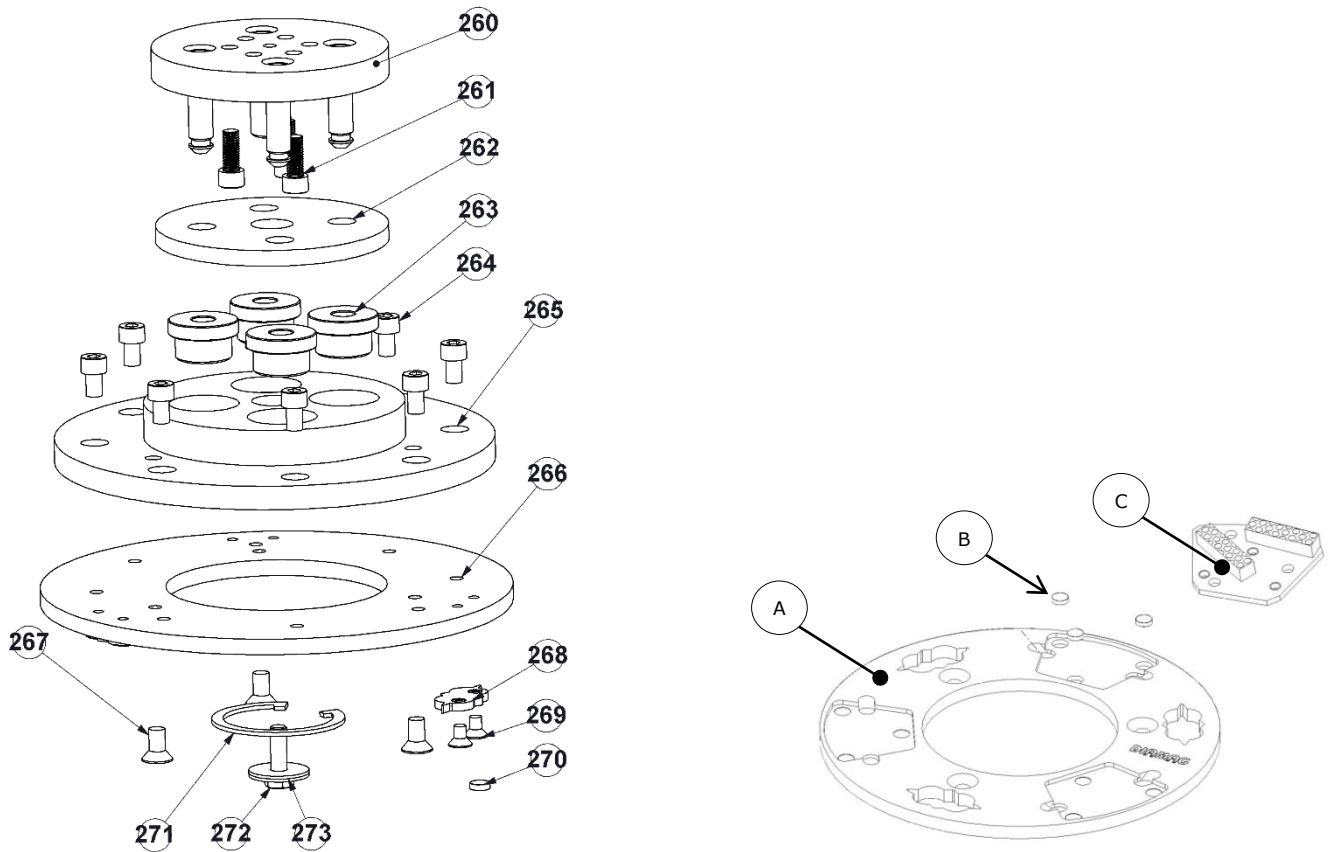
**Fig. 11 Lower tensioner BG005861**



Item	Part number	Description	Remarks	Qty.
250	BE0070	Retaining ring for shaft Ø15	DIN 471	2
251	BG11792	Bearing		2
252	BE0618	Retaining ring for bore Ø35	DIN 472	4
253	BG005836	Pulley		1
254	BG005837	Axle tensioner		1
255	BG005833	Tensioner		1
256	BE0458	M8x25 countersunk screw	DIN 7991	2



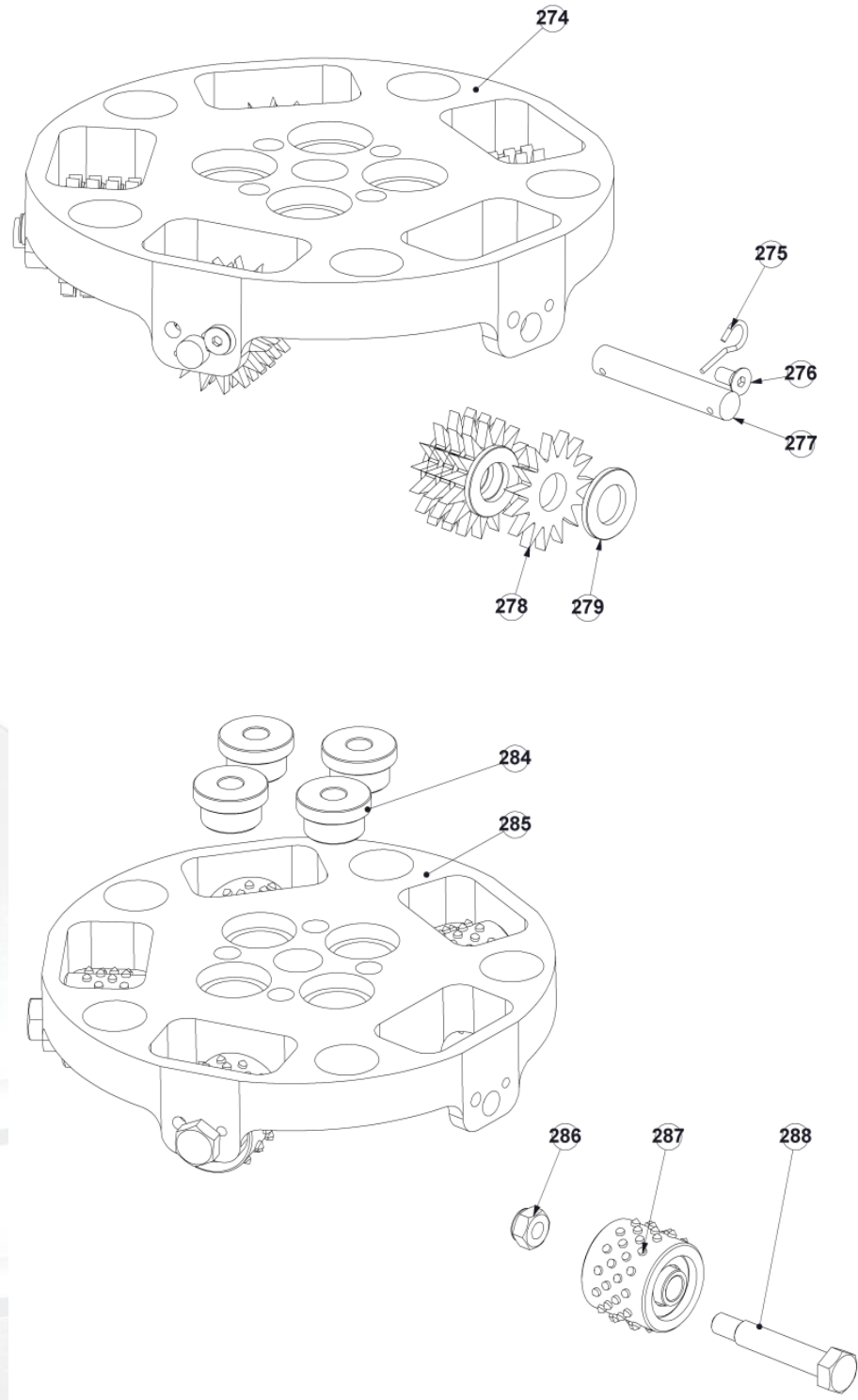
**Fig. 12 Rigid buffer plate complete E14019**



Item	Part number	Description	Remarks	Qty. (x3 per machine)
263-270	BG240190-1	240mm diamond holder complete		1
266-270	BG2401901-1	240mm diamond holder		1
260-273	E14019	Rigid buffer plate complete		1
260	BG11880	Fork		1
261	BE0204 + BE0584	M8x25 hexagon socket head bolt small + M8 spring washer small	DIN 7984 DIN 7980	3
262	BG11879	Buffer disc		1
263	BG11878	Buffer hard		4
264	BE0082	M8x12 hexagon socket head bolt	DIN 912	8
265	BG11877	Magnet plate holder 240mm		1
266	BG2401901-1	Only complete with parts 267 - 270		1
267	BE0456	M8x16 countersunk screw	DIN 7991	3
268	BG11811	Centering star		3
269	BG11810	M6x10 countersunk screw	DIN 7991	6
270	E06446	Magnet		3
271	BE0608	Retaining ring for bore Ø58	DIN 472	1
272	BE0030	M8x25 hexagon head bolt	DIN 933	1
273	BE0314	M8x30x1,5 washer		2
A	E12345	240mm DIAMAG 2.0 plate		1
	E07240-2	DIAMAG 240mm adapter plate	Not shown	1
	BG200993-1	Plate for 6 wings 240mm	Not shown	1
	E10692	240mm DIAMAG PCD adapter plate	Not shown	1
B	E06446	Magnet 10x3mm		9
C		DIAMAG grinding wings		3



**Fig. 13** Buffer system for bush hammer tools

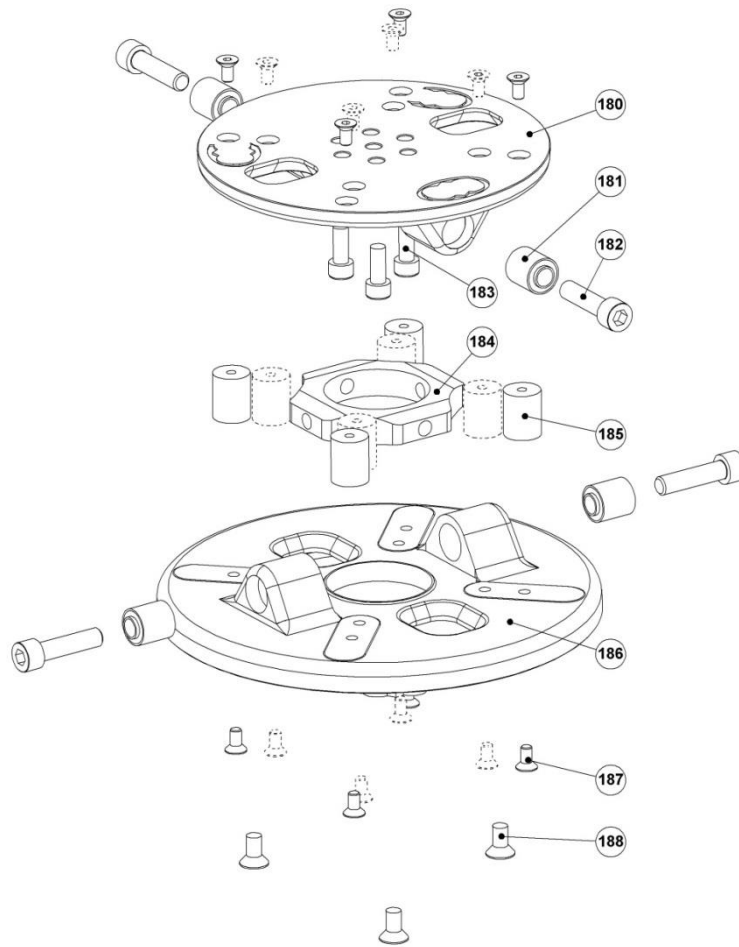




Item	Part number	Description	Remarks	Qty. (x3 per machine)
274-279	E10240/SW	PLATE Ø240 MM WITH STAR WHEELS		1
274	E09580	Cutter plate 240mm for 5 tools		1
275+276	BG300133	Locking pin & screw		6
277	BG300130	Axle		6
278	BG300109	Cutter		20
279	MPL48	Washer		25
284	BG11878	Buffer hard		4
285	E09580	Cutter plate 240mm for 5 tools		1
286	E09119-1/NUT	Nut for bush hammer E09119-2H		5
287	E09119-2H	Bush hammer tool heavy only		5
288	E09119-2H/BOLT	Bolt for bush hammer E09119-2H		5
285-288	E10240	Cutter plate 240 complete with bush hammer tools		1



**Fig. 14 Buffer flex system**



**When changing torque bushes, you must use the special bush mounting tool (E12866)**

Item	Part number	Description	Qty. ( x3 per machine)
180-188	E10172-240MM	Ø240mm Buffer system Alu	1
180	E12260	Buffer upper plate	1
181	E12054	Torque bush	4
182	BE0444	M10x40 hexagon socket head cap screw	4
183	BE0011	M8x20 hexagon socket head cap screw	3
184	E12261	Buffer mid plate	1
185	E12265	Shock absorber	4 (standard) / 8 (optional)
186	E12264	Buffer lower plate 240mm	1
187	BE0955	M6x12 hexagon socket countersunk 10.9	8 (standard) / 16 (optional)
188	BE0456	M8x16 hexagon socket countersunk	3
	E12866	Torque bush mounting tool	1



## **BLASTRAC EUROPE**

WE'RE READY TO ASSIST YOU!

### **BLASTRAC THE NETHERLANDS**

#### **EUROPEAN HEAD OFFICE**

Utrechthaven 12  
NL - 3433 PN Nieuwegein  
Tel.: +31 (0)30 601 88 66  
Fax: +31 (0)30 601 83 33  
Email: [info@blastrac.nl](mailto:info@blastrac.nl)  
[WWW.BLASTRAC.EU](http://WWW.BLASTRAC.EU)

### **BLASTRAC POLAND**

#### **SALES & SERVICE CENTRE**

Golina, ul. Dworcowa 47E  
63-200 Jarocin  
Tel.: +48 (0)62 740-41-50  
Fax: +48(0)62 740-41-51  
Email: [info@blastrac.pl](mailto:info@blastrac.pl)  
[WWW.BLASTRAC.PL](http://WWW.BLASTRAC.PL)

### **BLASTRAC FRANCE**

#### **SALES & SERVICE CENTRE**

ZI - 29, Av. des Temps Modernes  
F - 86360 Chasseneuil du Poitou  
Tel.: +33 (0)5 49 00 49 20  
Fax: +33 (0)5 49 00 49 21  
Email: [info@blastrac.fr](mailto:info@blastrac.fr)  
[WWW.BLASTRAC.FR](http://WWW.BLASTRAC.FR)

### **BLASTRAC ITALY**

#### **SALES & SERVICE CENTRE**

S.S. 10 Padana Inferiore, 41  
IT - 29012 Caorso (PC)  
Tel.: +39 0523 814241  
Fax: +39 0523 814245  
Email: [info@blastrac.it](mailto:info@blastrac.it)  
[WWW.BLASTRAC.IT](http://WWW.BLASTRAC.IT)

### **BLASTRAC GERMANY**

#### **SALES & SERVICE CENTRE**

Richard-Byrd-Str. 15  
50829 Köln  
Tel.: +49 (0) 221 709032-0  
Fax: +49 (0) 221 709032-22  
Email: [info@blastrac.de](mailto:info@blastrac.de)  
[WWW.BLASTRAC.DE](http://WWW.BLASTRAC.DE)

### **BLASTRAC UKRAINE**

#### **SALES & SERVICE CENTRE**

Nezalezhnosti 14, of. 21  
07400 Brovary  
Tel.: +38 (0)44 222 51 28  
Fax: +38 (0)44 277 98 29  
Email: [info@blastrac.com.ua](mailto:info@blastrac.com.ua)  
[WWW.BLASTRAC.COM.UA](http://WWW.BLASTRAC.COM.UA)

### **BLASTRAC SPAIN**

#### **SALES & SERVICE CENTRE**

Calle del Estío, 9  
E - 28500  
Arganda del Rey, Madrid  
Tel.: +34 91 660 10 65  
Fax: +34 91 672 72 11  
Email: [info@blastrac.es](mailto:info@blastrac.es)  
[WWW.BLASTRAC.ES](http://WWW.BLASTRAC.ES)

### **BLASTRAC UNITED KINGDOM**

#### **SALES & SERVICE CENTRE**

Unit 2a, Outgang Lane, Dinnington  
Sheffield, South Yorkshire  
GB - S25 3QU  
Tel.: +44 (0) 1909 / 569 118  
Fax: + 44 (0) 1909 / 567 570  
Email: [info@blastrac.co.uk](mailto:info@blastrac.co.uk)  
[WWW.BLASTRAC.CO.UK](http://WWW.BLASTRAC.CO.UK)

### **BLASTRAC MIDDLE EAST**

#### **SALES & SERVICE CENTRE**

P.O. box 29424  
Dubai / United Arab Emirates  
Tel.: +971 4 3245760  
Fax: +971 4 3245761  
Email: [info@blastracdx.ae](mailto:info@blastracdx.ae)  
[WWW.BLASTRAC.AE](http://WWW.BLASTRAC.AE)

### **BLASTRAC NORDIC**

#### **SALES & SERVICE CENTRE**

Lekstorps Industriväg 13D,  
443 41, Gråbo  
Sweden  
Tel.: +46 (0) 31 30 333 55  
Email: [info@blastrac.se](mailto:info@blastrac.se)  
[WWW.BLASTRAC.SE](http://WWW.BLASTRAC.SE)

### **BLASTRAC INDIA**

#### **SALES & SERVICE CENTRE**

G.B. Warehousing, GAT NO- 523,  
Pune- Nagar Road, Wagholi  
Pune- 412 207  
Tel.: +91 99213 98109  
Email: [info.blastrac.in](mailto:info.blastrac.in)  
[WWW.BLASTRAC.IN](http://WWW.BLASTRAC.IN)