

SERVICE MANUAL EBE-350E ATEX

VERSION 2.1

Index

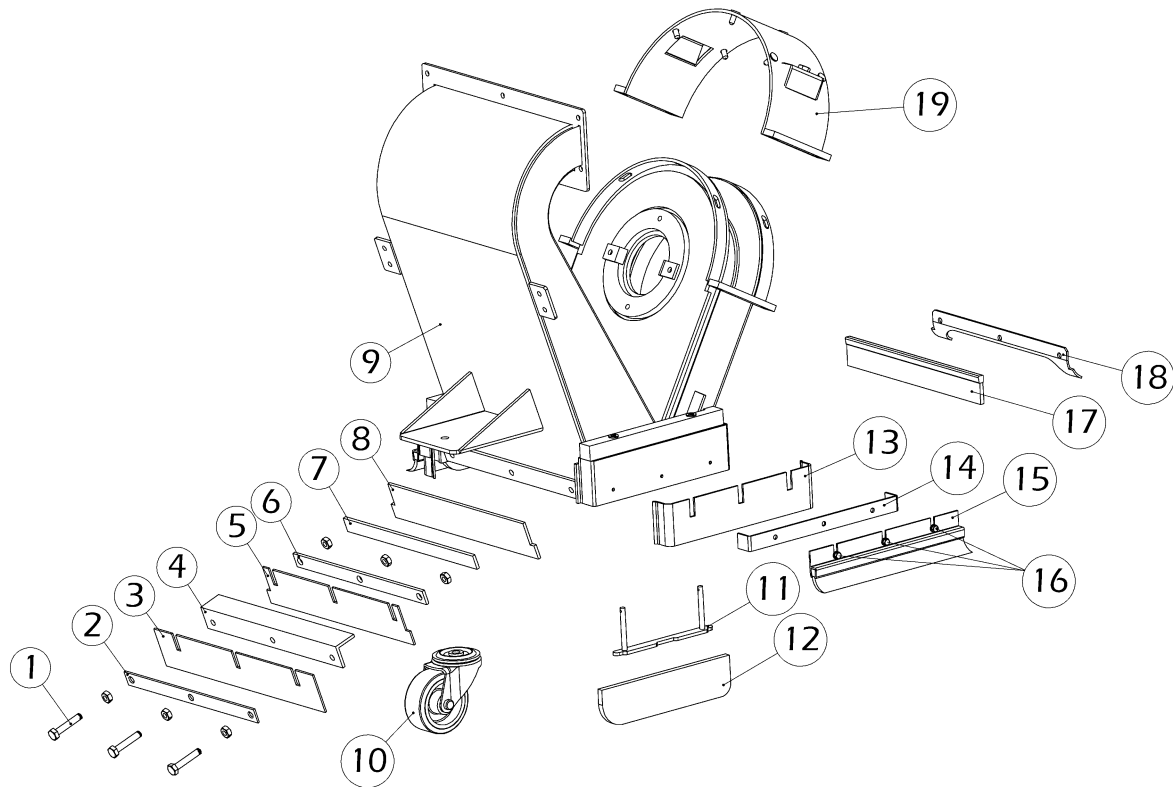
1. Spare parts

03

Contact

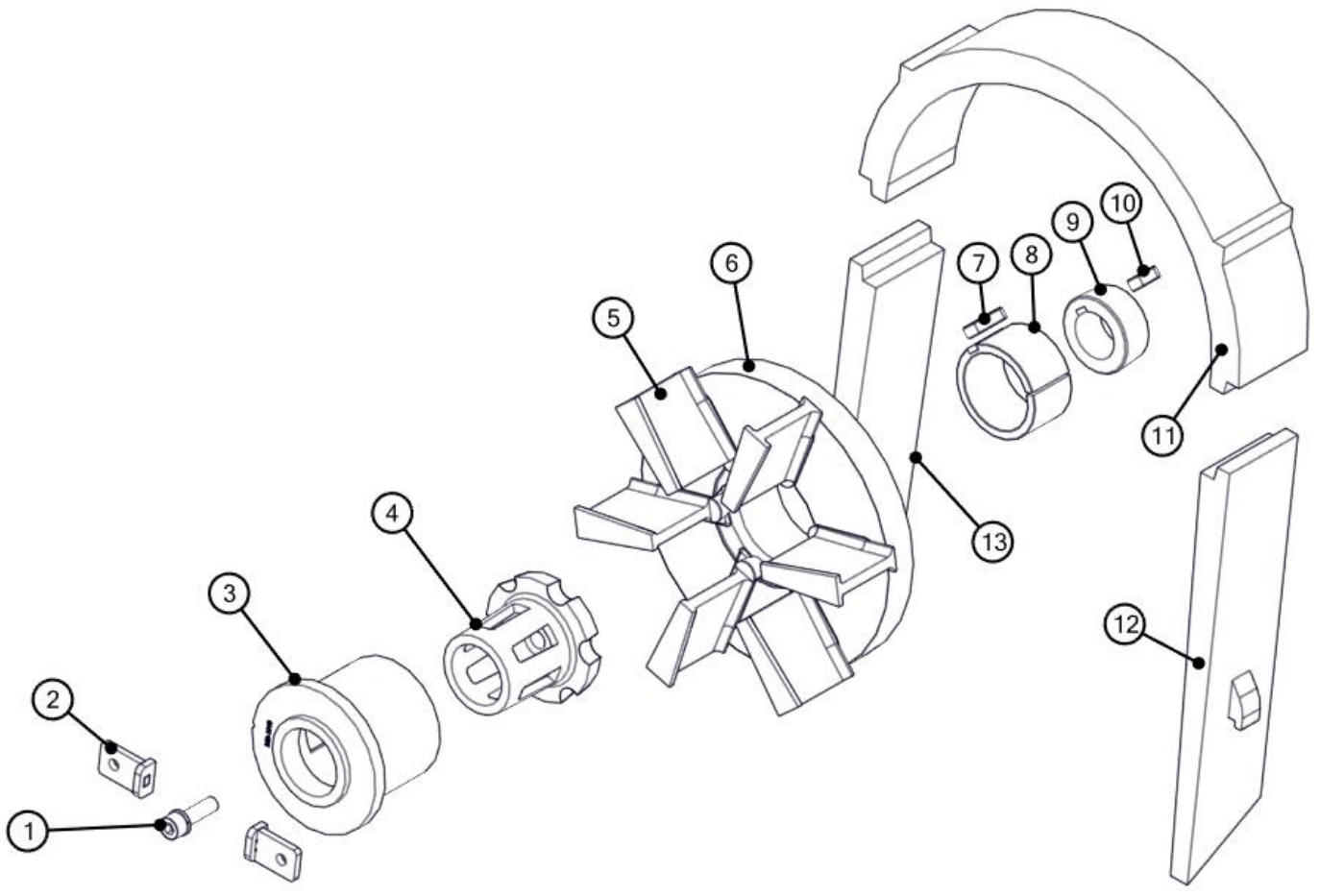
1. Spare parts

Fig. 01



Item	Part number	Description	Qty.
1	BE0044 + (2x) BE0008	Bolt M10x50 + (2 x) Nut M10	3
2	350-1059-SE	Locating plate outer	1
3	350-1054-SE	Front skirt outer	1
4	-	Front seal angle (part of blast	1
5	350-1053-SE	Front skirt intermediate	1
6	350-1058-SE	Front locating plate inner	1
7	350-1057-SE	Front skirt fixing plate	1
8	350-1052-SE	Front skirt inner	1
9	350-9006-E	Blast housing cabinet	1
10	350-2010-SEV	Front wheel castor complete	1
11	350-1021-SE	Side seal spring plate	2
	350-2035-SE	Side seal spring	4
12	350-1020-SE	Side seal (set of 2)	1
13	350-1060-SE	Side skirt (set of 2)	1
14	350-1061-SE	Side skirt fixing plate	2
15	350-1050-SE	Side brush (set of 2)	1
16	BE0020 + BE0016	Bolt M6x20 + washer M6	6
17	350-1045-SE	Back brush	1
18	350-1047-SE	Back brush skirt	1
19	350-1115	Top liner cover	1

Fig. 02



Item	Part number	Description	Qty.
1	350-1245-SEV	Impeller bolt	1
2	350-9041	Cage clamp	2
3	350-1010	Control cage	1
4	350-1015	Impeller	1
5	350-1005	Blades (set of 6)	1
6	350-1025	Blastwheel	1
7	BE1056	Key 10x8x36	1
8	222-2265	Taperlock adapter blastwheel	1
9	222-2290	Blastwheel shaft taperlock bush	1
10	BE0263	Key 10x8x25	1
11	350-1040	Top liner	1
12	350-1035-SE	Liner RH	1
13	350-1030-SE	Liner LH	1

Fig. 03

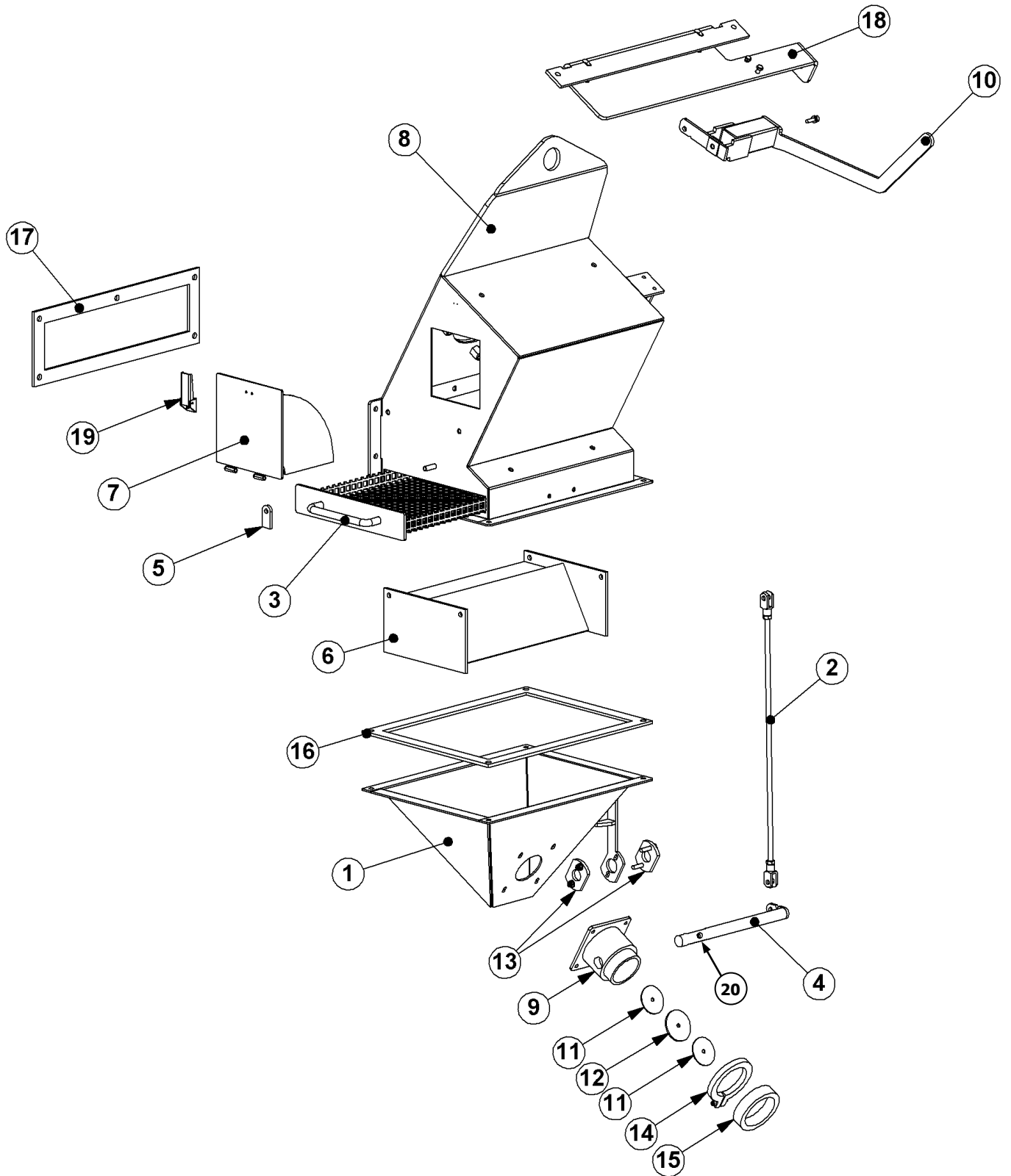
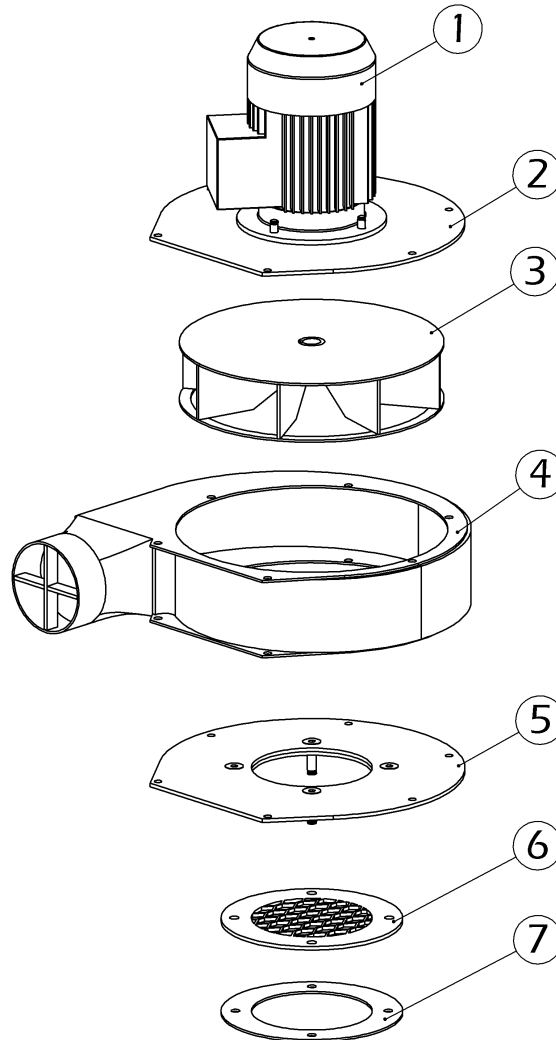


Fig. 03

Item	Part number	Description	Qty.
1	350-1067-SE	Abrasive storage hopper	1
2	350-1069-SE	Shotvalve lever complete	1
3	350-1111-SE	Separator drawer	1
4	350-2015-SE	Shotvalve axle complete	1
5	350-9117-SE	Drawer lock	1
6	350-9118	Baffle plates	1
7	350-9119-SE	Separator door	1
8	350-9120-SE	Separator	1
9	350-9240-S	Shotvalve housing	1
10	E08803	Shotvalve arm	1
11	350-1071-SE	Shot valve insert (steel)	2
12	350-1070-SE	Shot valve insert (rubber)	1
13	E06488	Adjusting plates	2
14	E06489	Clamp adjusting ring	1
15	350-1065-SE	Feed spout rubber	1
16	E00386	Hopper seal felt	1
17	E00387	Separator seal felt	1
18	E08806	Shotvalve arm support	1
19	350-1195	Door lock	1
20	BE0455	M6x20 Countersunk	1

Fig. 04



Item	Part number	Description	Qty.
1	350-3055-S-EX	Fan motor 1.5 kW ATEX	1
2	350-9030	Fan housing plate (top)	1
3	350-1085 SE	Fan impeller	1
4	350-1090-SE	Fan housing	1
5	350-9025	Fan housing plate (bottom)	1
6	035-9035	Fan ring	1
7	035-1125	Fan housing seal	1

Fig. 05

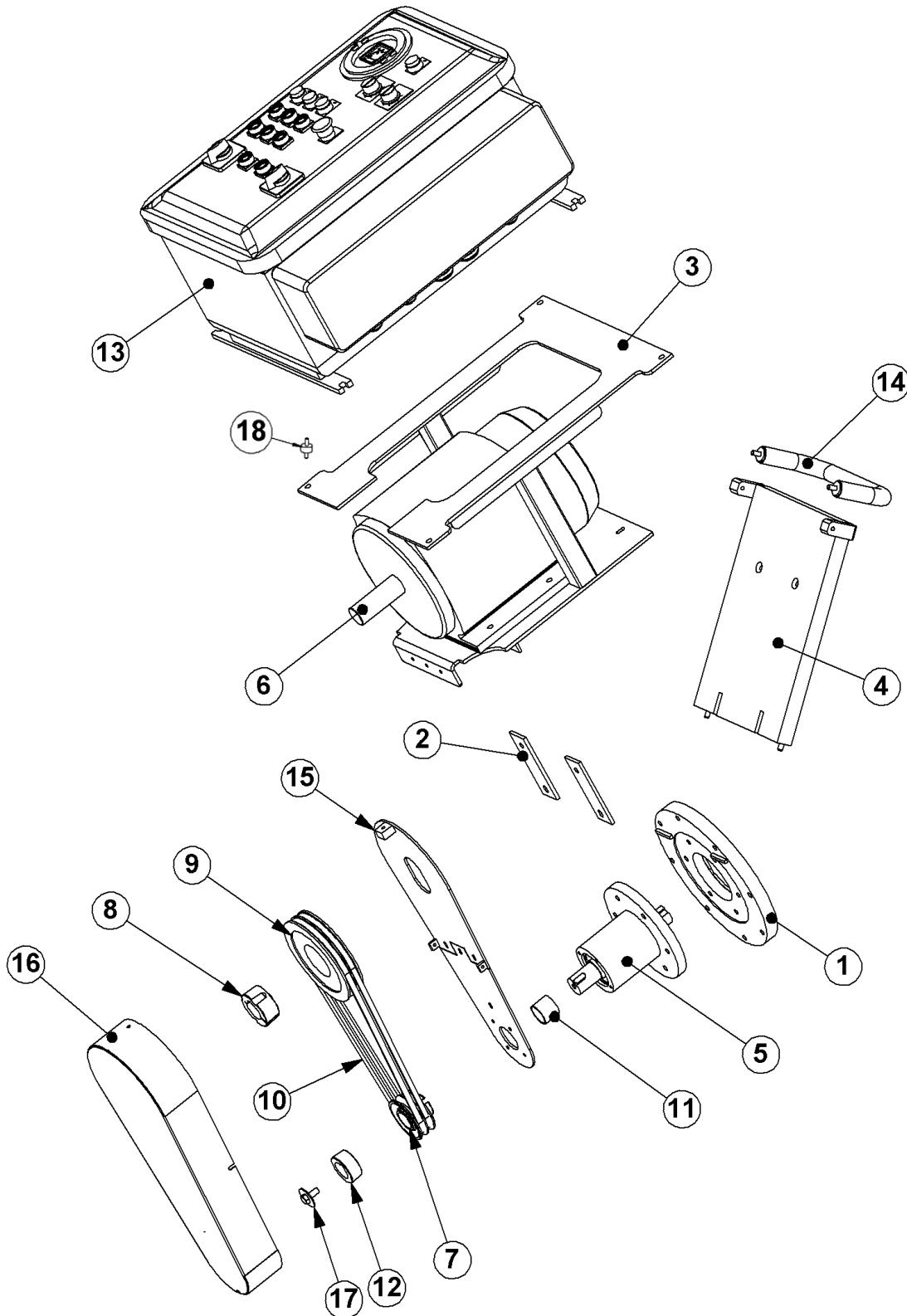


Fig. 05

Item	Part number	Description	Qty.	Hz.
1	350-9007-SEVU	Blastwheel mount plate	1	
2	350-9114-SE	Support plate	2	
3	E08802	Control handle ATEX	1	
4	E03165	Weight for 350E Global	1	
5	350-2451-SEV	Blastwheel bearing house complete	1	
	BE0263	Key 10x8x25 DIN6885A	1	
6	350-3020-SEP-EX	Blastmotor 11kW ATEX	1	
	350-3020-SEP/7KW-II2G-EXE-II-	Blastmotor 7kW special Atex II2G Exe II T3	1	
7	350-2175	Belt pulley (50Hz)	1	50Hz
	350-2345	Belt pulley (60Hz)	1	60Hz
8	222-2171	Taperlock bush	1	
9	350-2170	Belt pulley (50Hz)	1	50Hz
	350-2180	Belt pulley (60Hz)	1	60Hz
10	350-2430-S	Blastmotor belt	2	
11	350-2464-SEVU	Blast wheel shaft spacer 8mm		50Hz
	350-2463-SEVU	Blast wheel shaft spacer 32mm	1	60Hz
12	222-2290	Taper lock bush	1	60Hz
13	E01313-ATEX	Electro box cpl. 350-E Single panel ATEX	1	
14	E03124	Protection bar	1	
15	350-9027-SE	Belt guard back plate	1	
16	350-9255-S_1	Belt guard	1	
17	999-9802	Axle locking ring + Bolt M10x25	1	
18	999-9107	Shock absorber 40 x 30 mm Type A	4	

Fig. 06

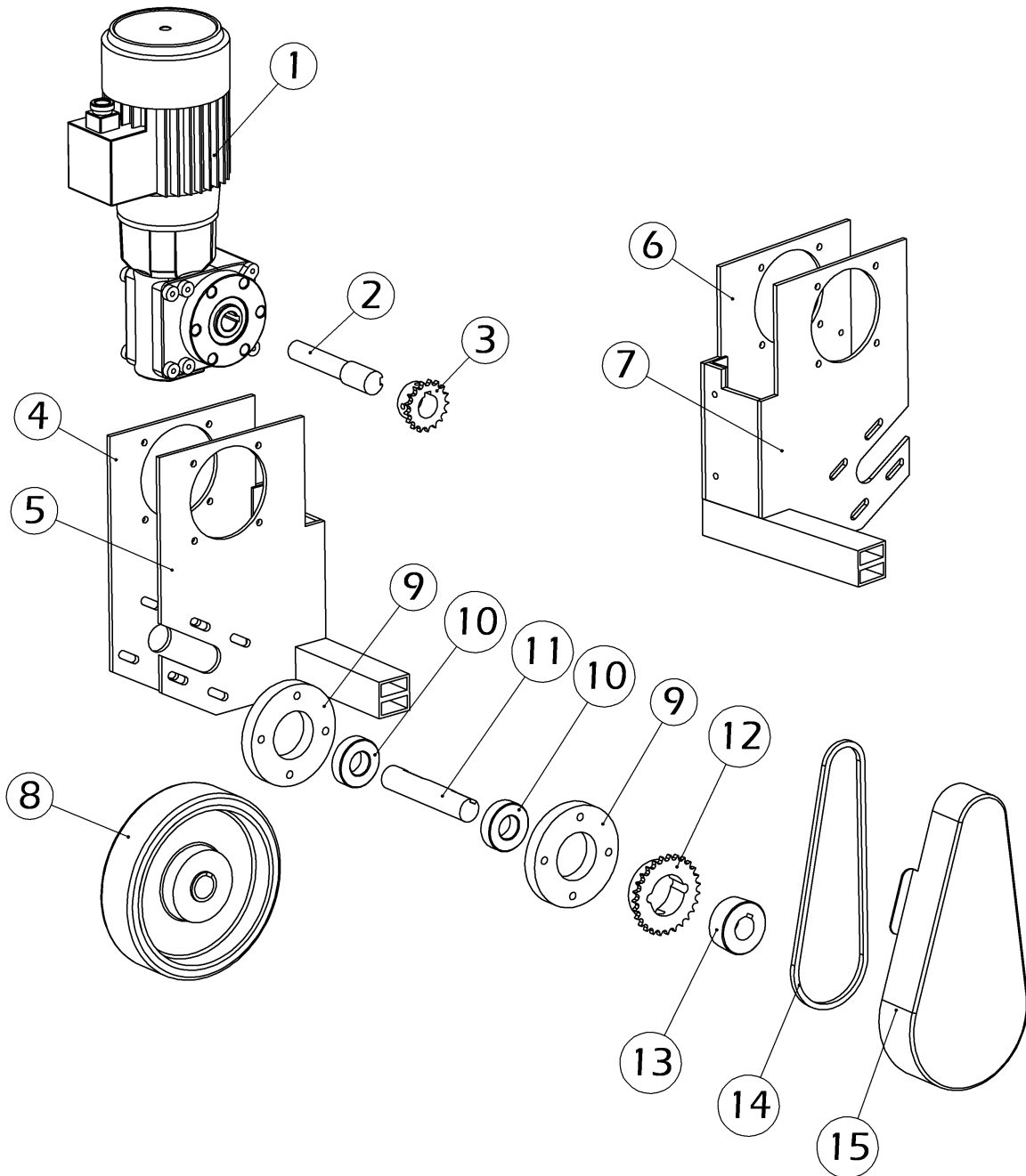


Fig. 06

Item	Part number	Description	Qty.
1	E00590-EX	Drive motor Atex	2
2	E03516	Drive motor shaft	2
3	222-2810-VH	Drive motor sprocket	2
4	E06324	Drive motor plate outer left	1
5	E06325	Drive motor plate inner left	1
6	E06326	Drive motor plate outer right	1
7	E06327	Drive motor plate inner right	1
8	350-2185-E	Drive wheel	2
9	500-1135-E	Bearing flange drive wheel shaft	4
10	222-2331-E	Drive wheel bearing	4
11	500-1130-E	Drive wheel shaft	2
12	222-2525-VH	Drive wheel sprocket	2
13	222-2285-V	Taperlock bush	2
14	350-2213-E	Drive motor chain	2
15	350-9105-E	Rear Wheel drive chain guard	2



Inspection comments

Inspection before initial operation on:	_____
By:	_____
Date of initial operation:	_____
Serial number & Year of manufacture:	_____

Recurring inspections / maintenance log

Date / Hour counter	Findings	Repairs / Cleaning	Test on	By*

*competent person



BLASTRAC EUROPE

WE'RE READY TO ASSIST YOU!

BLASTRAC THE NETHERLANDS

EUROPEAN HEAD OFFICE

Utrecht haven 12
 NL - 3433 PN Nieuwegein
 Tel.: +31 (0)30 601 88 66
 Fax: +31 (0)30 601 83 33
 Email: info@blastrac.nl
WWW.BLASTRAC.EU

BLASTRAC POLAND

SALES & SERVICE CENTRE

Golina, ul. Dworcowa 47E
 63-200 Jarocin
 Tel.: +48 (0)62 740-41-50
 Fax: +48(0)62 740-41-51
 Email: info@blastrac.pl
WWW.BLASTRAC.PL

BLASTRAC FRANCE

SALES & SERVICE CENTRE

ZI - 29, Av. des Temps Modernes
 F - 86360 Chasseneuil du Poitou
 Tel.: +33 (0)5 49 00 49 20
 Fax: +33 (0)5 49 00 49 21
 Email: info@blastrac.fr
WWW.BLASTRAC.FR

BLASTRAC ITALY

SALES & SERVICE CENTRE

S.S. 10 Padana Inferiore, 41
 IT - 29012 Caorso (PC)
 Tel.: +39 0523 814241
 Fax: +39 0523 814245
 Email: info@blastrac.it
WWW.BLASTRAC.IT

BLASTRAC GERMANY

SALES & SERVICE CENTRE

Richard-Byrd-Str. 15
 50829 Köln
 Tel.: +49 (0) 221 709032-0
 Fax: +49 (0) 221 709032-22
 Email: info@blastrac.de
WWW.BLASTRAC.DE

BLASTRAC UKRAINE

SALES & SERVICE CENTRE

Nezalezhnosti 14, of. 21
 07400 Brovary
 Tel.: +38 (0)44 222 51 28
 Fax: +38 (0)44 277 98 29
 Email: info@blastrac.com.ua
WWW.BLASTRAC.COM.UA

BLASTRAC SPAIN

SALES & SERVICE CENTRE

Calle del Estío, 9
 E - 28500
 Arganda del Rey, Madrid
 Tel.: +34 91 660 10 65
 Fax: +34 91 672 72 11
 Email: info@blastrac.es
WWW.BLASTRAC.ES

BLASTRAC UNITED KINGDOM

SALES & SERVICE CENTRE

Unit 2a, Outgang Lane, Dinnington
 Sheffield, South Yorkshire
 GB - S25 3QU
 Tel.: +44 (0) 1909 / 569 118
 Fax: + 44 (0) 1909 / 567 570
 Email: info@blastrac.co.uk
WWW.BLASTRAC.CO.UK

BLASTRAC MIDDLE EAST

SALES & SERVICE CENTRE

P.O. box 29424
 Dubai / United Arab Emirates
 Tel.: +971 4 3245760
 Fax: +971 4 3245761
 Email: info@blastracdxb.ae
WWW.BLASTRAC.AE

BLASTRAC NORDIC

SALES & SERVICE CENTRE

Lekstorps Industriväg 13D,
 443 41, Gråbo
 Sweden
 Tel.: +46 (0) 31 30 333 55
 Email: info@blastrac.se
WWW.BLASTRAC.SE

BLASTRAC INDIA

SALES & SERVICE CENTRE

G.B. Warehousing, GAT NO- 523,
 Pune- Nagar Road, Wagholi
 Pune- 412 207
 Tel.: +91 99213 98109
 Email: info.blastrac.in
WWW.BLASTRAC.IN