

W 70 P

EN Operator's manual  
ES-MX Manual de usuario  
FR-CA Manuel d'utilisation

2-11  
12-21  
22-31

---

# Contents

---

Introduction.....	2	Maintenance.....	7
Safety.....	4	Troubleshooting.....	9
Assembly.....	5	Transportation, storage and disposal.....	10
Operation.....	6	Technical data.....	11

---

## Introduction

---

### Owner responsibility



**WARNING:** Processing of concrete and stone by methods such as cutting, grinding or drilling, especially during dry operation, generates dust that comes from the material being processed, which frequently contains silica. Silica is a basic component of sand, quartz, brick clay, granite and numerous other minerals and rocks. Exposure to excessive amount of such dust can cause:

Respiratory disease (affecting your ability to breathe), including chronic bronchitis, silicosis and pulmonary fibrosis from exposure to silica. These diseases may be fatal;

Skin irritation and rash.

Cancer according to NTP\* and IARC\* \*/ National Toxicology Program, International Agency for Research on Cancer.

Take precautionary steps:

Avoid inhalation of and skin contact with dust, mist and fumes.

Wear and ensure that all bystanders wear appropriate respiratory protection such as dust masks designed to filter out microscopic particles. (See OSHA 29 CFR Part 1926.1153)

To minimize dust emissions, use water to bind the dust, when feasible. If dry operation is necessary, use an appropriate dust extractor.

product safely. Supervisors and operators must have read and understood the Operator's Manual. They must be aware of:

- The product's safety instructions.
- The product's range of applications and limitations.
- How the product is to be used and maintained.

National/Local regulations could restrict the use of this product. Find out what regulations are applicable where you work before you start using the product.

### Product description

The Pullman Ermator Wet industrial vacuum cleaner is a slurry collector. The liquids are sucked through the inlet valve at high speed via the suction hose. The liquid is collected in a container. The pump variants offer the possibility to evacuate the liquid via the evacuation pump.

On variants without the evacuation pump the liquid can be drained by the evacuation valve.

A floating device protect the motor from liquid.

The W 70 and W 70 P have an extra filter to filter the slurry foam from particles.

To protect the product and prolong the lifetime it is always recommended to use bags to collect and filter the largest particles.

### Intended use

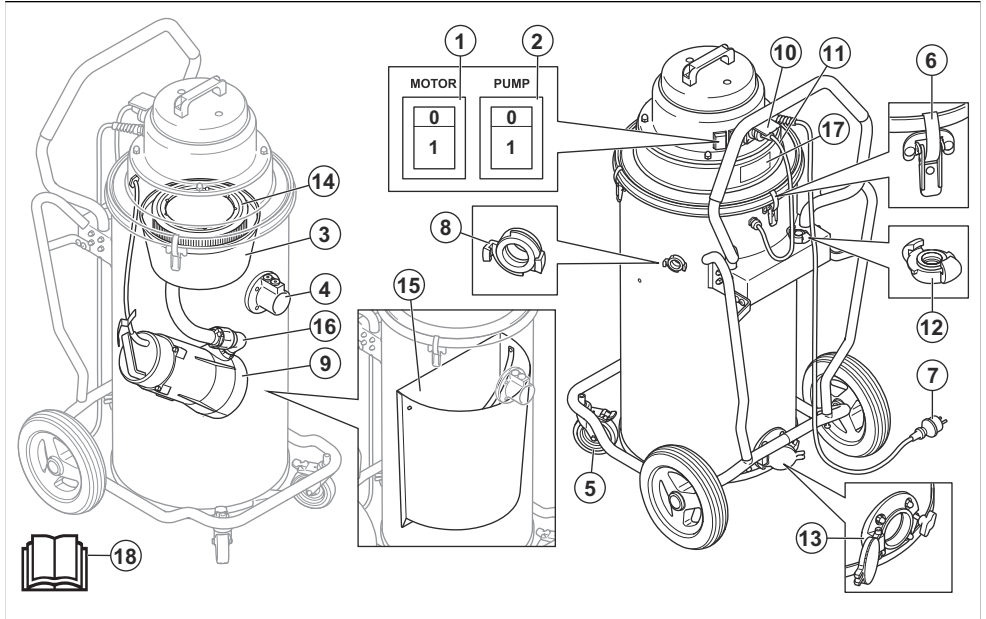
The product is intended for domestic and commercial use to vacuum and collect liquid none explosive, flammable or combustible.

The W 70 and W 70 P can be used for dry applications temporarily. Dry bags should then always be used and the filter should be changed to a Hepa filter, sold as an accessory.

---

It is the owner's/employer's responsibility that the operator has sufficient knowledge about how to use the

## Product overview W 70 P



1. On/off switch for the motor
2. On/off switch for the pump
3. Float
4. Inlet valve
5. Lockable caster wheels
6. Toggle fastener
7. Power cable
8. Outlet
9. Pump
10. Socket outlet for the pump cable
11. Pump cable
12. Adapter for evacuation hose
13. Evacuation valve
14. Filter
15. Stainless steel strainer
16. Check valve
17. Type plate
18. Operator's manual

### Symbols on the product



Please read the operator's manual carefully and make sure you understand the instructions before using the product.



Always use an approved breathing mask.



Always use approved ear protection.



Always use approved eye protection.

### Product liability

As referred to in the product liability laws, we are not liable for damages that our product causes if:

- the product is incorrectly repaired.
- the product is repaired with parts that are not from the manufacturer or not approved by the manufacturer.
- the product has an accessory that is not from the manufacturer or not approved by the manufacturer.
- the product is not repaired at an approved service center or by an approved authority.

---

# Safety

---

## Safety definitions

Warnings, cautions and notes are used to point out specially important parts of the manual.



**WARNING:** Used if there is a risk of injury or death for the operator or bystanders if the instructions in the manual are not obeyed.



**CAUTION:** Used if there is a risk of damage to the product, other materials or the adjacent area if the instructions in the manual are not obeyed.

**Note:** Used to give more information that is necessary in a given situation.

## General safety instructions



**WARNING:** Read the warning instructions before you use the product.

- Read the operator's manual carefully and understand the instructions before using the product. Save all warnings and instructions for future reference.
- Make sure that you read and understand the instructions for the main product manual to ensure that you know what personal equipment to wear, what safety equipment to use and how to work in a safe mode.
- Always exercise care and use your common sense. If you get into a situation where you feel unsafe, stop and seek expert advice. Contact your dealer, service agent or an experienced user. Do not attempt any task that you feel unsure of!
- Keep in mind that it is you, the operator that is responsible for not exposing people or their property to accidents or hazards.
- The product must be kept clean. Signs and stickers must be fully legible.
- This product is not intended for use by persons (including children) with reduced physical, sensory or mental capabilities, or lack of experience and knowledge.
- Never use a product that is faulty. Carry out the safety checks, maintenance and service instructions described in this manual. Some maintenance and service measures must be carried out by trained and qualified specialists. Refer to *Maintenance on page 7*.

## Electrical Safety instructions



**WARNING:** Read the warning instructions that follow before you use the product.

- The product is equipped with a safety thermal protector to prevent motor from overheating. Should thermal protector activate, turn off machine, unplug power cord and check for full dust bag, vacuum hose clog or filter blockage. It may take up to 45 minutes for the thermal protector to reset.
- Before using the product make sure that the power & voltage corresponds with the voltage shown on the machines rating plate, including extension cords.
- Connect to a properly grounded outlet only. Refer to *Grounding instructions on page 6*.
- Improper connection of the equipment-grounding conductor can result in a risk of electrical shock. Check with a qualified electrician or service person if you are in doubt as to whether the outlet is properly grounded. Do not modify the plug provided, if it will not fit the outlet have a proper outlet installed by a qualified electrician.
- If using an extension cord make sure the cord rating is suitable for this machine.
- Cables damaged through crushing or splitting can be dangerous if used and should be replaced immediately.
- Do not use with damaged cord or plug. If the machine is not working as it should, has been dropped, damaged, left outdoors or dropped in water. Make sure it is repaired by a qualified person to avoid hazard.
- Regularly inspect cord and plug for damage. Do not use with a damaged cord or plug.
- Do not pull or carry by cord, use cord as handle, close a door on cord, or pull cord around sharp edges or corners. Do not allow equipment to run over cord. Keep cord away from heated surfaces.
- Do not unplug by pulling on cord. To unplug, grasp the plug.
- Do not leave machine when plugged in. Unplug cord from outlet when not in use and before cleaning or servicing machine.

## Safety instructions for assembly



**WARNING:** Read the warning instructions that follow before you assemble the product.

- Do not change a part of the product without approval from the manufacturer.

- Unauthorized modifications and/or accessories may lead to serious injury or death to the user or others.
- Use only as described in this manual. Use only manufacturers recommended attachments.
- Always use genuine accessories.
- Make sure the assembly area is firm, so the dust extractor does not tip over. Risk of personal and material injury.
- Be careful, the toggle fasteners can cause damage to the operator when assemble the product.
- Turn off all controls before unplugging.
- To reduce the risk of electric shock, always install the floating device before any wet pick-up operation.
- Use extra care when cleaning on stairs.
- Keep children and unauthorized persons away from the product when in use.
- To reduce the risk of electric shock – Do not expose to rain. Store indoors.
- Replace collection system and/ or filters as described in this manual. Refer to *Filter change on page 9*.

## Safety instructions for operation



**WARNING:** Read the warning instructions that follow before you use the product.

- The product must not be used in environments near explosive gases.
- Do not use to pick up flammable or combustible liquids, such as gasoline, or use in areas where they may be present.
- Do not put any object into openings. Do not use with any openings blocked. Keep free of dust, hair and anything that may reduce airflow.
- Do not point the suction hose in the direction of body parts when the machine is running. Do not put parts of the body against the suction inlet if the suction hose is not installed.
- Keep hair, loose clothing, fingers and all parts of body away from openings and moving parts.
- Do not use for dry application without dust bag and/or filters in place.
- Do not allow to use as a toy. Close attention is necessary when used by or near children.
- Operators shall be adequately instructed on the use of the product.



**WARNING:** Read the warning instructions that follow before you use the product.

- Health impairing dust can be spread during filter and bags replacement. Accordingly, the user should wear protective glasses, protective gloves, and a breathing mask conforming to protection class FFP3.

## Safety instructions for maintenance



**WARNING:** Read the warning instructions that follow before you use the product.

- All repairs must be performed by a qualified service person. Use only manufacturer-supplied or equivalent replacement parts.
- Make sure, when the product is lifted, that the waste container is empty and that no body stay below the product.

# Assembly

## Introduction



**CAUTION:** Only use extension cable with correct rated value for this product.



**CAUTION:** Do not keep water or wet dirt in the suction device. That can cause bad smells and defective hygiene.

## General

Do a check that the following accessories are included:

- The hose with end fittings
- Steel tube
- Floor Nozzle
- Crevice tool
- 1 bag for slurry collection

If 1 of the parts is missing, speak to your local service agent .

Make sure to dispose the package and the used product components in correct procedure. Refer to local disposal regulations. Make sure to recycle.

---

# Operation

---

## Introduction



**WARNING:** Before you operate the product, carefully read and understand the safety chapter and the operation instructions.

## Before use



**WARNING:** Connect the power plug to a power outlet with the correct voltage, see the type plate.

## Grounding instructions



**WARNING:** The product must be grounded. If it should malfunction or breakdown, grounding provides a path of least resistance for electric current to reduce the risk of electric shock. The product is equipped with a cord having an equipment-grounding conductor and grounding plug. The plug must be inserted into an appropriate outlet that is properly installed and grounded in accordance with all local codes and ordinances.

## Polarized plug



**WARNING:** To reduce the risk of electric shock, this product has a polarized plug (one blade is wider than the other). This plug will fit in a polarized outlet only one way. If the plug does not fit fully in the outlet, reverse the plug. If it still does not fit, contact a qualified electrician to install the proper outlet. Do not change the plug in any way.

## To connect the correct evacuation hose

The adapter fit most 25 mm/ 1 inch hoses.

- Use the attached adapter.
- Fit the adapter on the hose end.
- Attach the adapter to the outlet.

## To attach the suction hose

There is a hose intake with a hose lock on the product. The hose lock makes sure that the suction hose adapter do not fall off.

1. Lift the hose lock and attach the suction hose adapter.
2. Lower the hose lock into the recess of the adapter.

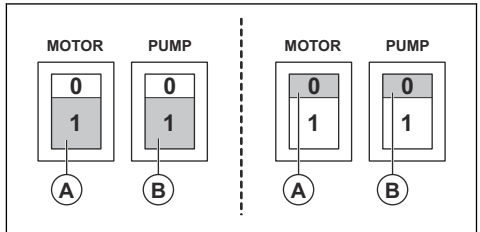
## To attach the nozzle on the hand pipe

The floor nozzle has adjustable wheels. Adjust the wheels to get the best suction effect. Adjust the wheels with the knob, which is on the rear side of the nozzle. The wheels and rubber strips of the nozzle can be replaced. Keep the nozzle in good condition.

## To start and stop the W 70 P and the W 250 P

The motor switch is the button A and the pump switch is the button B referring to the figure.

- Push the button (1) to start the product.
- Push the button (0) to stop the product.



## After use

1. Switch off the suction apparatus with the switch.
2. Disconnect the power cord. Do not remove the pump cable.
3. Empty and clean the suction apparatus and the accessories used. Refer to *To attach the suction hose on page 6* and *To clean the product on page 8*.

## To change the bag

1. Disconnect the power cord and remove the pump cable.
2. Loosen the 3 toggle fasteners and remove the top.
3. Lift out the float.
4. Remove and dispose the old bag. Refer to local regulations.
5. Insert the new bag into the stainless steel strainer.
6. Thread the small opening over the internal inlet pipe. Let the tab rest over the container rim.
7. Do step 1-3 in reversed order.

---

# Maintenance

---

## Introduction



**WARNING:** Most accidents involving machines occur during trouble shooting, service and maintenance as staff have to locate themselves within the risk area of the machine. Prevent accidents by being alert and by planning and preparing the work.



**WARNING:** Before you do maintenance of the product, make sure that the motor switch and the pump switch are in

the Off positions. Disconnect the power cord and remove the pump cable.



**WARNING:** All checks that involve electric components should only be performed by a licensed electrician.



**WARNING:** Do not puncture the filter.  
Risk of dust dispersion.

## Maintenance schedule

The maintenance intervals are calculated from daily use of the product. The intervals change if the product is not used daily.

Maintenance	Before each use	After every use	Daily	Weekly	6 months or 1000h	12 months or 2000h
Look for signs of wear, damage or loose connections of the controls before the unit is connected.	X					
Empty and clean the tank and the accessories.		X				
Do a check of the filters. <sup>1</sup>			X			
Do a check of the wheels. Look for damage and bad connections. Castor wheel locks should be working in order.				X		
Do a check of the function of the one-way valve on P-variants.				X		
Do a check of the hose attachments for mechanical wear. Make sure that the sealing has full function.				X		
Change of filter <sup>2</sup>						X
Do a check of the hose gasket and the sealing.			X			

## To clean the product



**WARNING:** Make sure that the motor switch and the pump switch are in the Off positions, before cleaning the product. Disconnect the power cord. Do not remove the pump cable

It is important to clean the product to prevent damage and circulation of dangerous waste. Always clean the product before it is moved from the work area. If the product has to be used for other purposes, it is extremely important that the product will be cleaned, to avoid spreading of hazardous material.

After running slurry through the pump, flush the system with significant amount of fresh water. Do not leave slurry in the pump or bottom of the tank. This will cause damage to the pump and the slurry will harden and clog the system. When using the unit dry and then switching

to wet, or vice a versa, make sure the filters are cleaned properly and thoroughly to not have build up or clogging in the system.

All parts that are contaminated after service work must be disposed in a correct procedure in plastic bags. Refer to local regulations.

- Use correct personal equipment when you clean the product. Refer to *Personal protective equipment on page 5*
- Clean the external surface with a moist cloth.
- Clean the filters and the slurry collector in applicable area.
- Flush the system with fresh water to thoroughly clean the pump.

<sup>1</sup> Only applicable on W 70 and W 70 P.

<sup>2</sup> Only applicable on W 70 and W 70 P.



## Filter change



**WARNING:** Use personal safety equipment, refer to *Personal protective equipment on page 5*, during filter change. Dust can come out during filter change.



**WARNING:** Always turn the motor switch in the Off position and disconnect the cord from the wall outlet during filter change.



**WARNING:** Be careful, the toggle fasteners can cause damage to the operator when assemble the product.

### To replace filters

Only W 70 and W 70 P have an extra filter to slurry foam from particles.

1. Disconnect the power cord. Remove the pump cable.

2. Loosen the 3 toggle fasteners to remove the top.
3. Lift off the filter holder with the filter.
4. Loosen the nut on the filter holder and remove the filter cap and the filter.
5. Do a check of the gasket on the filter holder. Replace the gasket if it is damaged.
6. Assemble the new filter.
7. Clean all other parts.

### Floating device

A floating device protect the motor from liquid.

- Visually inspect the floating device regularly to ensure that it is not damaged and free of obstructions.

When the floating device is being activated, the motor needs to be switch off and water has to be evacuated before the motor is turned on.

## Troubleshooting

### Troubleshooting schedule

Issue	Cause	Solution
Motor does not start	No power	Connect the product
	Cable defective	Replace the cable
	Switch defective	Replace the switch
Motor stops immediately after starting	Wrong fuse	Connect to correct fuse
	Shortcut in cable/machine	Order service
Motor runs but there is not suction	Hose not connected	Connect the hose
	Hose blocked	Clean hose
	Floating device activated.	Inspect water level and damages on the float.
Motor runs but there is poor suction	Hole on the hose	Replace hose
	Filter clogged	Clean filter/ Replace filter
	Loose suction unit	Adjust
	Dirt in the hose or intake	Clean the hose and intake
	Defective gaskets	Replace affected gaskets
	Blocked or defective check valve.	Clean or replace the check valve.

Issue	Cause	Solution
Dust blown from motor	Wrongly assembled or damaged filter system <sup>3</sup>	Adjust/ Replace filters
Poor pumping	The pump or tubes are blocked <sup>4</sup>	Clean the pump, check valve and hose
Abnormal noise		Order service

---

## Transportation, storage and disposal

---

### Transportation of the product

- The unit must be securely fasten during transportation.
- Where possible, always transport in closed vehicle.
- Avoid transporting in adverse weather condition.
- Use ramps or winches to lift the dust extractor to make sure that movements are safe. Get aid if you are not sure about how to lift heavy equipment.
- Engage the locking caster safely on the wheels.
- Secure the equipment during transportation in order to avoid transport damage and accidents.
- It is recommended to transport the product upright where possible.
- It is recommended to empty the product before transportation.

### Storage of the product

- The product must be stored inside away from outdoor elements.
- Do not expose the product to rain or moisture.
- Attach the locking casters safely. Only applicable on W 70 and W 70 P.
- Disconnect the product from the power source.
- Store the product and the equipment in a dry area with no frost or excessive heat.
- Store all equipment in an locked area, so that it is out of reach of children and unauthorized persons.

### Disposal of the product

- Obey the local recycling requirements and applicable regulations.
- When the product no longer is used, send it to a dealer or discard it at a recycling location.

---

<sup>3</sup> Only applicable on W 70 and W 70 P.

<sup>4</sup> Only applicable on W 70 P and W 250 P.

## Technical data

### Technical data

Data	W 70 P 110V
Voltage (1 phase), V	110-120
Frequency, Hz	60
Motor Power, HP (kW)	2.8 (2.1)
Current (max), A	18
Airflow, CFM (m <sup>3</sup> /h)	118 (200)
Vacuum, psi (kPa)	94 (24 )
Water lift in. (m)	100 (2.5)
Main Hose diameter, in. (mm)	1.5 (38 )
Main Hose length ft (m)	10 (3)
Inlet diameter, in.(mm )	1.5 (38)
Filter (Yes/ No)	Yes
Filter area, ft <sup>2</sup> (m <sup>2</sup> )	6.5 (0.6)
Dust collection system (Type), gal (l )	Disposable bag or Stainless steel container, 18.5 (70)
Evacuation pump (Yes/ No)	Yes
Pump Power (max), kW (HP)	1.2 (0.9)
Pump Current (max) A	7.5
Pump Waterlift, ft (m)	40 (12)
Pump discharge, gal/min (l/min)	69 (260)
Dimension (LxWxH), in. (mm)	23.6x22.4x49.2 (600x570x1250)
Weight, lbs (kg )	97 (44)
Sound power level L <sub>WA</sub> measured, dB(A) <sup>5</sup>	86
Sound pressure level L <sub>PA</sub> at the operators ear, dB(A) <sup>6</sup>	76
Vibration level a <sub>h</sub> , m/s <sup>27</sup>	≤2.5

<sup>5</sup> Noise emissions in the environment measured as sound power (LWA) in conformity with EN 60335-2-69. Uncertainty Kwa 2dB.

<sup>6</sup> Noise pressure level according to EN 60335-2-69. Uncertainty KPA 2dB.

<sup>7</sup> Vibration level according to EN 60335-2-69. Reported data for vibration level has a typical statistical dispersion (standard deviation) of 1 m/s<sup>2</sup>

---

# Contenido

---

Introducción.....	12	Mantenimiento.....	17
Seguridad.....	14	Solución de problemas.....	19
Montaje.....	15	Transporte, almacenamiento y eliminación de residuos.....	20
Funcionamiento.....	16	Datos técnicos.....	21

---

## Introducción

---

### Responsabilidad del propietario



**ADVERTENCIA:** El procesamiento de hormigón y piedra mediante métodos como corte, amolado o perforación, especialmente en operaciones en seco, genera polvo que proviene del material procesado y a menudo contiene sílice. La sílice es un componente básico de la arena, el cuarzo, la arcilla de los ladrillos, el granito y otros numerosos minerales y rocas. La exposición a una cantidad excesiva de polvo de sílice puede causar las siguientes afecciones:

Enfermedades respiratorias (que afectan la capacidad de respirar), incluidas la bronquitis crónica, la silicosis y la fibrosis pulmonar debido a la exposición a la sílice. Estas enfermedades pueden ser mortales.

Irritación cutánea y sarpullido.

Cáncer, según el NTP\* y la IARC\* \*/National Toxicology Program (Programa Nacional de Toxicología) y Centro Internacional de Investigaciones sobre el Cáncer.

Tome medidas preventivas:

Evite inhalar y que su piel entre en contacto con el polvo, el vaho y los gases.

Utilice artículos apropiados para la protección respiratoria como máscaras contra polvo diseñadas para filtrar partículas microscópicas, y asegúrese de que todas las personas que se encuentren cerca también lo hagan. (Consulte la normativa OSHA 29 CFR Parte 1926.1153)

Para reducir al mínimo las emisiones de polvo, utilice agua para aglomerarlo cuando sea posible. Si es necesario realizar una operación en seco, utilice un extractor de polvo adecuado.

---

Es responsabilidad del propietario o del empleador que el operador posea los conocimientos necesarios

sobre cómo utilizar el producto de manera segura. Los supervisores y operadores deben haber leído y comprendido el manual de usuario. Deben tener conocimiento de lo siguiente:

- Las instrucciones de seguridad del producto.
- La gama de aplicaciones y limitaciones del producto.
- Cómo el producto se va a utilizar y mantener.

El uso de este producto se podría ver restringido por las normativas nacionales o locales. Antes de comenzar a utilizar el producto, infórmese sobre qué normativas se aplican en el lugar donde trabaja.

### Descripción del producto

El Pullman Ermator Wet industrial vacuum cleaner es un slurry collector. Los líquidos se aspiran a gran velocidad mediante la válvula de admisión a través de la manguera de aspiración. El líquido se recoge en un recipiente. Las variantes con bomba permiten vaciar el líquido mediante la bomba de evacuación.

En las variantes sin bomba de evacuación, la bomba de evacuación puede drenar el líquido.

Un dispositivo flotante protege el motor del líquido.

Los modelos W 70 y W 70 P cuentan con un filtro adicional para filtrar la espuma de suspensión de las partículas.

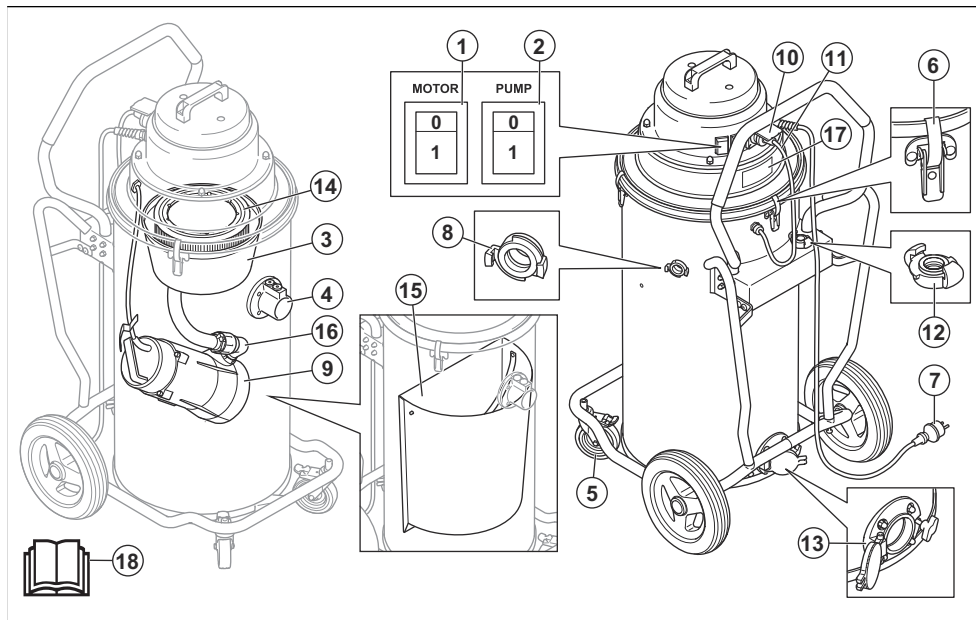
Para proteger el producto y prolongar la vida útil, se recomienda siempre utilizar bolsas para recoger las partículas más grandes y filtrarlas.

### Uso previsto

El producto está destinado a uso doméstico y comercial, para aspirar y recoger líquido no explosivo, inflamable y combustible.

Los modelos W 70 y W 70 P se pueden utilizar temporalmente para aplicaciones secas. En esos casos, siempre se deben utilizar bolsas secas, y el filtro se debe cambiar por un Hepa filter, que se vende como accesorio.

## Descripción general del producto W 70 P



1. Interruptor encender/apagar del motor
2. Interruptor encender/apagar de la bomba
3. Flotación
4. Válvula de admisión
5. Ruedecillas bloqueables
6. Sujetador de conmutación
7. Cable de alimentación
8. Salida
9. Bomba
10. Toma de corriente del cable de la bomba
11. Cable de la bomba
12. Adaptador para la manguera de evacuación
13. Válvula de evacuación
14. Filtro
15. Filtro de acero inoxidable
16. Válvula de comprobación
17. Placa de identificación
18. Manual de usuario

### Símbolos en el producto



Lea atentamente el manual del usuario y asegúrese de entender las instrucciones antes de utilizar el producto.



Utilice siempre una máscara respiratoria aprobada.



Utilice siempre protectores auriculares aprobados.



Utilice siempre protección ocular aprobada.

### Responsabilidad del fabricante

Como se menciona en las leyes de responsabilidad del fabricante, no nos hacemos responsables de los daños que cause nuestro producto si:

- el producto se repara incorrectamente
- el producto se repara con piezas que no son del fabricante o que este no autoriza
- el producto tiene un accesorio que no es del fabricante o que este no autoriza
- el producto no se repara en un centro de servicio autorizado o por una autoridad aprobada.

---

# Seguridad

---

## Definiciones de seguridad

Las advertencias, precauciones y notas se utilizan para señalar las piezas particularmente importantes del manual.



**ADVERTENCIA:** Se utilizan para señalar el riesgo de lesiones graves o mortales para el operador o para aquellos que se encuentren cerca si no se siguen las instrucciones del manual.



**PRECAUCIÓN:** Se utilizan para señalar el riesgo de dañar la máquina, otros materiales o el área adyacente si no se siguen las instrucciones del manual.

**Nota:** Se utilizan para entregar más información necesaria en situaciones particulares.

## Instrucciones generales de seguridad



**ADVERTENCIA:** Lea las instrucciones de advertencia antes de usar el producto.

- Lea el manual de instrucciones cuidadosamente y asegúrese de entender las instrucciones antes de usar el producto. Guarde todas las advertencias e instrucciones para futuras referencias.
- Procure leer y comprender las instrucciones del manual del producto principal para garantizar su comprensión acerca del uso adecuado del equipo de seguridad y personal, el tipo de equipo que se debe usar y cómo trabajar con él de forma segura.
- Siempre tenga cuidado y use su sentido común. Si entra en una situación en la que se sienta inseguro, deténgase y busque el asesoramiento de expertos. Póngase en contacto con el distribuidor, el agente de servicio o un usuario experimentado. No intente realizar ninguna tarea en la cual se sienta inseguro.
- Tenga en cuenta que usted, el operador, es responsable de no exponer a las personas o su propiedad a accidentes o peligros.
- El producto se debe mantener limpio. Los avisos y los autoadhesivos deben ser perfectamente legibles.
- Este producto no está diseñado para que personas (incluidos niños) con capacidades físicas, sensoriales o mentales reducidas, o con falta de experiencia y conocimientos, lo utilicen.
- Nunca utilice un producto que esté defectuoso. Realice las comprobaciones de seguridad, el mantenimiento y las instrucciones de servicio descritas en este manual. Especialistas capacitados

y calificados deben llevar a cabo algunas medidas de mantenimiento y servicio. Consulte *Mantenimiento en la página 17*.

## Instrucciones de seguridad eléctricas



**ADVERTENCIA:** Lea atentamente las instrucciones de advertencia siguientes antes de usar el producto.

- El producto está equipado con un protector térmico de seguridad para evitar el sobrecalentamiento del motor. En caso de que se active el protector térmico, apague la máquina, desenchufe el cable de alimentación y verifique que no haya una bolsa llena de polvo, obstrucción de la manguera de vacío o bloqueo del filtro. El protector térmico puede tardar hasta 45 minutos en restablecerse.
- Antes de usar el producto, asegúrese de que la potencia y el voltaje se correspondan con el voltaje que se muestra en la placa de características de la máquina, incluidos los cables de extensión.
- Conecte solo a una toma debidamente conectada a tierra. Consulte *Instrucciones para realizar la conexión a tierra en la página 16*.
- La conexión incorrecta del conductor a tierra del equipo puede provocar un riesgo de descarga eléctrica. Consulte con un electricista o técnico calificado si tiene dudas sobre si la toma está conectada a tierra correctamente. No modifique el enchufe provisto, si no encaja en la toma, haga que un electricista calificado instale una toma adecuada.
- Si utiliza un cable de extensión, asegúrese de que la clasificación del cable sea adecuada para esta máquina.
- Los cables dañados por aplastamiento o división pueden ser peligrosos si se usan y deben reemplazarse de inmediato.
- No utilice con el cable o el enchufe dañado. Si la máquina no funciona como debería, se cayó, dañó, se dejó al aire libre o se cayó al agua. Asegúrese de que una persona calificada repare la máquina para evitar riesgos.
- Inspeccione regularmente el cable y el enchufe para detectar daños. No utilice con un cable o enchufe dañado.
- No tire del cable ni lo transporte, use el cable como manija, cierre la puerta con el cable o tire del cable alrededor de bordes afilados o esquinas. No permita que el equipo pase sobre el cable. Mantenga el cable lejos de superficies calientes.
- No tire del cable para desenchufar el aparato. Para desconectar, sujete el enchufe.
- No deje la máquina cuando está enchufada. Desenchufe el cable de la toma cuando no está en uso y antes de limpiar o reparar la máquina.

## Instrucciones de seguridad para el montaje



**ADVERTENCIA:** Lea atentamente las instrucciones de advertencia siguientes antes de montar el producto.

- No cambie una parte del producto sin la aprobación del fabricante.
- Las modificaciones o los accesorios no autorizados pueden provocar graves lesiones o incluso la muerte al usuario u otras personas.
- Utilice solo como se describe en este manual. Utilice solo accesorios recomendados por el fabricante.
- Utilice siempre accesorios originales.
- Procure que la zona de montaje sea firme, de manera que el extractor de polvo no se pueda volcar. Riesgo de daños personales y materiales.
- Tenga cuidado, los sujetadores de conmutación pueden causar daños al operador cuando ensamble el producto.

## Instrucciones de seguridad para el funcionamiento



**ADVERTENCIA:** Lea atentamente las instrucciones de advertencia siguientes antes de usar el producto.

- El producto no se debe utilizar en entornos cercanos a gases explosivos.
- No lo utilice para recoger líquidos inflamables o combustibles, como gasolina, ni lo utilice en zonas donde puedan encontrar estos líquidos.
- No ponga ningún objeto en las aberturas. No lo utilice si alguna de las aberturas está bloqueada. Manténgalo sin polvo, cabello y cualquier cosa que pueda disminuir el flujo de aire.
- No apunte la manguera de aspiración hacia partes del cuerpo cuando la máquina esté funcionando. No acerque partes del cuerpo a la entrada de aspiración si la manguera de aspiración no está instalada.
- Mantenga el cabello, la ropa suelta, los dedos y todas las partes del cuerpo lejos de las aberturas y las partes móviles.
- No utilice el producto para aplicaciones secas sin la bolsa de polvo o los filtros instalados.

- No permita que se use como juguete. Se necesita prestar atención cuando lo utiliza un niño o se utiliza cerca de uno.
- Los operadores deberán recibir instrucciones adecuadas sobre el uso del producto.
- Apague todos los controles antes de desconectar el aparato.
- Para reducir el riesgo de sacudida eléctrica, siempre instale el dispositivo flotante antes de realizar operaciones de recolección húmedas.
- Tenga especial cuidado al limpiar en escaleras.
- Mantenga a los niños y las personas no autorizadas alejados del producto cuando esté en uso.
- Para reducir el riesgo de sacudida eléctrica, no exponga el producto a la lluvia. Guárdela en un lugar cerrado.
- Reemplace el sistema de recolección o los filtros como se indica en este manual. Consulte *Cambio de filtro en la página 18*.

## Equipo de protección personal



**ADVERTENCIA:** Lea atentamente las instrucciones de advertencia siguientes antes de usar el producto.

- Durante el reemplazo de los filtros y las bolsas, se puede esparcir polvo dañino para la salud. En consecuencia, el usuario debe usar gafas y guantes protectores, así como una máscara respiratoria en conformidad con protección class FFP3.

## Instrucciones de seguridad para el mantenimiento



**ADVERTENCIA:** Lea atentamente las instrucciones de advertencia siguientes antes de usar el producto.

- Todas las reparaciones deben ser realizadas por un técnico de servicio calificado. Utilice únicamente piezas de repuesto suministradas por el fabricante o equivalentes.
- Cuando levante el producto, asegúrese de que el recipiente de residuos esté vacío y de que no haya nadie debajo del producto.

## Montaje

### Introducción



**PRECAUCIÓN:** Utilice únicamente un cable de extensión con el valor nominal correcto para este producto.



**PRECAUCIÓN:** No mantenga agua ni suciedad húmeda en el dispositivo de aspiración. Esto puede provocar mal olor y perjudicar la higiene.

## Información general

Verifique que los siguientes accesorios estén incluidos:

- La manguera con conectores de extremo
- Tubo de acero
- Boquilla inferior
- Boquilla rinconera

- Una bolsa para la recolección de suspensión

Si falta alguna de las piezas, comuníquese con su taller de servicio.

Asegúrese de desechar el paquete y los componentes del producto usados en el procedimiento correcto. Consulte las normativas locales de desecho. Asegúrese de reciclar.

## Funcionamiento

### Introducción



**ADVERTENCIA:** Antes de operar el producto, lea cuidadosamente y comprenda el capítulo sobre seguridad y las instrucciones de operación.

### Antes del uso



**ADVERTENCIA:** Conecte el enchufe a una toma de corriente con el voltaje adecuado, consulte la placa de identificación.

### Instrucciones para realizar la conexión a tierra



**ADVERTENCIA:** El producto debe estar conectado a tierra. Si falla o se descompone, la conexión a tierra proporciona un alcance de menor resistencia para la corriente eléctrica para reducir el riesgo de descarga eléctrica. El producto está equipado con un cable que tiene un conductor con equipo a tierra y un enchufe de conexión a tierra. El enchufe debe insertarse en una toma apropiada que esté correctamente instalada y conectada a tierra de acuerdo con todos los códigos y ordenanzas locales.

### Enchufe polarizado



**ADVERTENCIA:** Para reducir el riesgo de sacudida eléctrica, este producto cuenta con un enchufe polarizado (una cuchilla es más ancha que las otras). Este enchufe encaja en una toma de corriente polarizada en una sola posición. Si el enchufe no encaja en la toma de corriente, invierta el enchufe. Si aun así no encaja, comuníquese con un electricista calificado para instalar una toma de corriente adecuada. No modifique el enchufe de ninguna forma.

### Para conectar la manguera de evacuación adecuada

El adaptador se ajusta a la mayoría de las mangueras de 25 mm / 1 pulgada.

- Utilice el adaptador correspondiente.
- Coloque el adaptador en el extremo de la manguera.
- Conecte el adaptador a la toma de corriente.

### Para fijar la manguera de aspiración

Hay una entrada de manguera con un bloqueo de manguera en el producto. El bloqueo de manguera asegura que el adaptador de la manguera de aspiración no se caiga.

1. Levante el bloqueo de la manguera y fije el adaptador de la manguera de aspiración.
2. Baje el bloqueo de la manguera en la ranura del adaptador.

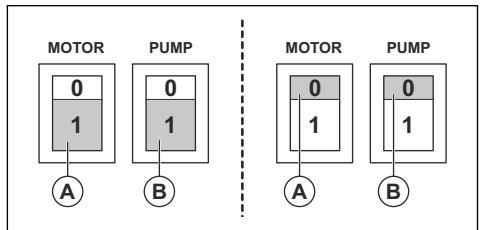
### Para fijar la boquilla en la tubería de mano

La boquilla de suelo tiene ruedas ajustables. Ajuste las ruedas para obtener el mejor efecto de aspiración. Ajuste las ruedas con la perilla, que se encuentra en la parte posterior de la boquilla. Las ruedas y las correas de goma de la boquilla pueden ser reemplazadas. Mantenga la boquilla en buen estado.

### Para arrancar y detener el W 70 P y el W 250 P

El interruptor del motor es el botón A, y el interruptor de la bomba es el botón B, que se muestran en la figura.

- Presione el botón (1) para arrancar el producto.
- Presione el botón (0) para detener el producto.





## Después de su uso

1. Apague el mecanismo de aspiración mediante el interruptor.
2. Desconecte el cable de alimentación. No retire el cable de la bomba.
3. Vacíe el mecanismo de aspiración y límpielo, así como los accesorios que se utilizaron. Consulte *Para fijar la manguera de aspiración en la página 16* y *Para limpiar el producto en la página 18*.

## Para cambiar la bolsa

1. Desconecte el cable de alimentación y retire el cable de la bomba.

2. Afloje los 3 sujetadores de conmutación y retire la parte superior.
3. Extraiga el flotador.
4. Retire la bolsa antigua y deséchela. Consulte las normativas locales.
5. Inserte la bolsa nueva en el filtro de acero inoxidable.
6. Enrosque la abertura pequeña sobre el tubo de admisión interno. Deje la pestaña sobre el borde del recipiente.
7. Realice los pasos 1 a 3 en el orden inverso.

## Mantenimiento

### Introducción



**ADVERTENCIA:** La mayoría de los accidentes relacionados con máquinas ocurren durante la localización de fallos, el servicio y el mantenimiento, ya que el personal tiene que ubicarse dentro del área de riesgo de la máquina. Prevenga los accidentes estando alerta y planificando y preparando el trabajo.



**ADVERTENCIA:** Antes de realizar el mantenimiento del producto, asegúrese de que el interruptor del motor y el interruptor de la bomba estén en las posiciones

de apagado. Desconecte el cable de alimentación y retire el cable de la bomba.



**ADVERTENCIA:** Todas las verificaciones que impliquen componentes eléctricos solo las debe realizar un electricista autorizado.



**ADVERTENCIA:** No pefore el filtro. Riesgo de dispersión de polvo.

### Programa de mantenimiento

Los intervalos de mantenimiento se calculan a partir del uso diario del producto. Los intervalos cambian si el producto no se utiliza a diario.

Mantenimiento	Antes de cada uso	Después de cada uso	Diario	Una vez por semana	6 meses o 1000 h	12 meses o 2000 h
Busque signos de desgaste, daños o conexiones sueltas de los controles antes de conectar la unidad.	X					
Vacíe y limpie el depósito y los accesorios.		X				
Verifique los filtros. <sup>8</sup>			X			
Verifique las ruedas. Busque si hay daños y conexiones incorrectas. Los bloqueos de las ruedecillas deben funcionar correctamente.				X		

<sup>8</sup> Solo se aplica a W 70 y W 70 P.

Mantenimiento	Antes de cada uso	Después de cada uso	Diario	Una vez por semana	6 meses o 1000 h	12 meses o 2000 h
Verifique el funcionamiento de la válvula unidireccional en las variantes P.				X		
Verifique si los accesorios de manguera presentan desgaste mecánico. Asegúrese de que el sello funcione correctamente.				X		
Cambio de filtro <sup>9</sup>						X
Verifique la junta de la manguera y el sello.			X			

## Para limpiar el producto



**ADVERTENCIA:** Asegúrese de que el interruptor del motor y el interruptor de la bomba estén en las posiciones de apagado antes de limpiar el producto. Desconecte el cable de alimentación. No retire el cable de la bomba

Es importante limpiar el producto para prevenir daños y la circulación de residuos peligrosos. Limpie siempre el producto antes de sacarlo del área de trabajo.

Si el producto se debe utilizar para otros fines, es muy importante que se encuentre limpio para evitar la propagación de materiales peligrosos.

Después de que la suspensión pase por la bomba, enjuague el sistema con abundante agua dulce. No deje suspensión dentro de la bomba ni en el fondo del depósito. Esto provoca daños en la bomba, y la suspensión se endurecerá y obstruirá el sistema. Cuando la unidad se use en seco y después en húmedo, o viceversa, asegúrese de que los filtros se limpien de manera adecuada y minuciosa para no provocar acumulaciones ni obstrucciones en el sistema.

Todas las piezas que estén contaminadas después del trabajo de servicio deben desecharse siguiendo un procedimiento correcto en bolsas de plástico. Consulte las normativas locales.

- Use el equipo personal correcto cuando limpie el producto. Consulte *Equipo de protección personal en la página 15*
- Limpie la superficie externa con un paño húmedo.
- Limpie los filtros y el colector de suspensión en el área que corresponda.
- Enjuague el sistema con agua dulce para limpiar minuciosamente la bomba.

<sup>9</sup> Solo se aplica a W 70 y W 70 P.

## Cambio de filtro



**ADVERTENCIA:** Utilice equipo de protección personal. Consulte *Equipo de protección personal en la página 15*, durante el cambio de filtro. Puede salir polvo durante el cambio de filtro.



**ADVERTENCIA:** Siempre gire el interruptor del motor a la posición de apagado y desconecte el cable de la toma de corriente durante el cambio de filtro.



**ADVERTENCIA:** Tenga cuidado, los sujetadores de conmutación pueden causar daños al operador cuando ensamble el producto.

## Para reemplazar los filtros

Solo W 70 y W 70 P tienen un filtro adicional para separar la espuma de suspensión de las partículas.

1. Desconecte el cable de alimentación. Retire el cable de la bomba.
2. Afloje los 3 sujetadores de conmutación para retirar la parte superior.
3. Saque el soporte del filtro con el filtro.
4. Afloje la tuerca del soporte del filtro y retire la tapa del filtro y el filtro.
5. Verifique la junta del soporte del filtro. Reemplace la junta si está dañada.
6. Monte el filtro nuevo.
7. Limpie todas las demás piezas.

## Dispositivo flotante

Un dispositivo flotante protege el motor del líquido.

- Inspeccione visualmente el dispositivo flotante con regularidad para asegurarse de que no esté dañado ni presente obstrucciones.

Cuando se va a activar el dispositivo flotante, el motor debe estar apagado y el agua se debe haber vaciado antes de encender el motor.

---

## Solución de problemas

---

### Programa de solución de problemas

Problema	Causa	Solución
El motor no arranca	No hay alimentación	Conecte el producto
	Cable defectuoso	Reemplace el cable
	Interruptor defectuoso	Reemplace el interruptor
El motor se detiene inmediatamente después del arranque	Fusible incorrecto	Conecte para corregir el fusible
	Acceso directo en el cable/máquina	Solicite tareas de mantenimiento
El motor funciona, pero no hay aspiración	Manguera desconectada	Conecte la manguera
	Manguera bloqueada	Manguera limpia
	El dispositivo flotante está activado	Inspeccione el nivel de agua y si el flotador está dañado
El motor funciona, pero hay poca de aspiración	Hay un agujero en la manguera	Reemplace la manguera
	Filtro obstruido	Limpie o reemplace el filtro
	La unidad de aspiración está suelta	Ajústela
	Suciedad en la manguera o en la admisión	Limpie la manguera y la admisión
	Juntas defectuosas	Reemplace las juntas afectadas
	Válvula de comprobación bloqueada o defectuosa	Limpie o reemplace la válvula de comprobación
Polvo proveniente del motor	Sistema de filtro dañado o montado incorrectamente <sup>10</sup>	Ajuste/reemplace los filtros
Bombeo en mal estado	La bomba o los tubos están bloqueados <sup>11</sup>	Limpie la bomba, la válvula de comprobación y la manguera
Ruido anormal		Solicite tareas de mantenimiento

<sup>10</sup> Solo se aplica a W 70 y W 70 P.

<sup>11</sup> Solo se aplica a W 70 P y W 250 P.

---

# Transporte, almacenamiento y eliminación de residuos

---

## Transporte del producto

- La unidad debe estar firmemente instalada durante el transporte.
- Siempre que sea posible, transpórtela en un vehículo cerrado.
- Evite transportarla en condiciones climáticas adversas.
- Use rampas o cabrestantes para levantar el extractor de polvo para asegurarse de que los movimientos sean seguros. Obtenga ayuda si no está seguro de cómo levantar equipo pesado.
- Acople el bloqueo de la rueda de forma segura en las ruedas.
- Fije el equipo durante el transporte para evitar daños y accidentes de transporte.
- Se recomienda transportar el producto en posición vertical siempre que sea posible.
- Se recomienda vaciar el producto antes de transportarlo.

## Almacenamiento del producto

- El producto debe ser almacenado en el interior, lejos de elementos exteriores.
- No exponga el producto a la lluvia o humedad.
- Fije el bloqueo de ruedas de forma segura. Solo se aplica a W 70 y W 70 P.
- Desconecte el producto de la fuente de alimentación.
- Almacene el producto y el equipo en un lugar seco sin escarcha o calor excesivo.
- Almacene todo el equipo en un área cerrada, de manera que esté fuera del alcance de los niños y personas no autorizadas.

## Eliminación del producto

- Obedezca las regulaciones vigentes y requisitos de reciclaje locales.
- Cuando el producto ya no se use, envíelo al distribuidor o deséchelo en un lugar de reciclaje.

## Datos técnicos

### Datos técnicos

Datos	W 70 P 110V
Voltaje (monofásico), V	110-120
Frecuencia, Hz	60
Potencia del motor, HP (kW)	2,8 (2,1)
Corriente (máx.), A	18
Flujo de aire, CFM (m³/h)	118 (200)
Vacío, psi (kPa)	94 (24)
Elevación del agua, pulg. (m)	100 (2,5)
Diámetro de la manguera principal, pulg. (mm)	1,5 (38)
Longitud de la manguera principal, pies (m)	10 (3)
Diámetro de entrada, pulg. (mm)	1,5 (38)
Filtro (sí/no)	Sí
Área del filtro, pies <sup>2</sup> (m <sup>2</sup> )	6,5 (0,6)
Sistema de recolección de polvo (tipo), gal (l)	Bolsa desechable o recipiente de acero inoxidable, 18,5 (70)
Bomba de evacuación (sí/no)	Sí
Potencia de la bomba (máx.), kW (HP)	1,2 (0,9)
Corriente de la bomba (máx.), A	7,5
Elevación del agua de la bomba, pies (m)	40 (12)
Descarga de la bomba, gal/min (l/min)	69 (260)
Dimensión (LxANxAL), pulg. (mm)	23,6 x 22,4 x 49,2 (600 x 570 x 1250)
Peso, lb (kg)	97 (44)
Nivel de potencia acústica medido en L <sub>WA</sub> , dB(A) <sup>12</sup>	86
Nivel de presión sonora L <sub>PA</sub> en el oído del operador, dB(A) <sup>13</sup>	76
Nivel de vibración a <sub>h</sub> , <sup>2</sup> m/s <sup>14</sup>	≤2,5

<sup>12</sup> Emisiones de ruido en el medioambiente medidas como potencia acústica (LWA) de conformidad con la norma EN 60335-2-69. Incertidumbre Kwa 2dB.

<sup>13</sup> Nivel de presión sonora de acuerdo con EN 60335-2-69. Incertidumbre KPA 2dB.

<sup>14</sup> Nivel de vibración en conformidad con la norma EN 60335-2-69. Los datos informados para el nivel de vibración tienen una dispersión estadística común (desviación estándar) de 1 m/s<sup>2</sup>

---

# Table des matières

---

Introduction.....	22	Entretien.....	27
Sécurité.....	24	Dépannage.....	29
Montage.....	26	Transport, entreposage et mise au rebut.....	30
Fonctionnement.....	26	Données techniques.....	31

---

## Introduction

---

### Responsabilité du propriétaire



**AVERTISSEMENT :** Des opérations de coupe, de surfacage ou de perçage du béton ou de la pierre, particulièrement lorsque les conditions sont sèches, génèrent de la poussière qui contient souvent de la silice. La silice est un composant de base du sable, du quartz, de la brique de l'argile, du granit et de nombreux autres pierres et minéraux. L'exposition à une quantité excessive de ces poussières peut entraîner :

une maladie respiratoire (réduisant la capacité à respirer), notamment la bronchite chronique, la silicose et la fibrose pulmonaire causée par l'exposition à la silice. Ces maladies peuvent être fatales;

Des irritations et éruptions cutanées.

Le cancer, selon le NTP (National Toxicology Program) et le CIRC (Centre international de Recherche sur le Cancer).

Prendre les précautions suivantes :

Éviter l'inhalation et le contact cutané avec les poussières, brouillards et fumées.

Porter et veiller à ce que les personnes à proximité portent un dispositif de protection respiratoire approprié, tel un masque antipoussière filtrant les particules microscopiques. (Voir OSHA 29 CFR Part 1926.1153)

Pour réduire les émissions de poussières, utiliser de l'eau pour agglomérer ces dernières, lorsque cela est possible. Si une opération à sec est nécessaire, utiliser un extracteur de poussière adéquat.

en toute sécurité. Les superviseurs et les utilisateurs doivent avoir lu et compris le manuel d'utilisation. Ils doivent être conscients de ce qui suit :

- Les consignes de sécurité relatives au produit.
- L'éventail d'applications du produit et ses limites.
- La manière dont le produit doit être utilisé et entretenu.

Des règlements locaux ou nationaux pourraient limiter l'utilisation de ce produit. Découvrir les règlements en vigueur où le travail est exécuté avant d'utiliser le produit.

### Description du produit

Le Pullman Ermator Wet industriel vacuum cleaner est un slurry collector. Les liquides sont aspirés à grande vitesse par la soupape d'admission, par l'entremise du flexible d'aspiration. Le liquide est recueilli dans un récipient. Les versions avec pompe offrent la possibilité d'évacuer le liquide par l'entremise de la pompe d'évacuation.

Sur les versions sans pompe d'évacuation, le liquide peut être vidangé par la soupape d'évacuation.

Un dispositif flottant protège le moteur du liquide.

Le W 70 et le W 70 P sont dotés d'un filtre supplémentaire pour filtrer la mousse de boue des particules

Pour protéger le produit et prolonger sa durée de vie, il est toujours recommandé d'utiliser des sacs pour recueillir et filtrer les plus grosses particules.

### Utilisation prévue

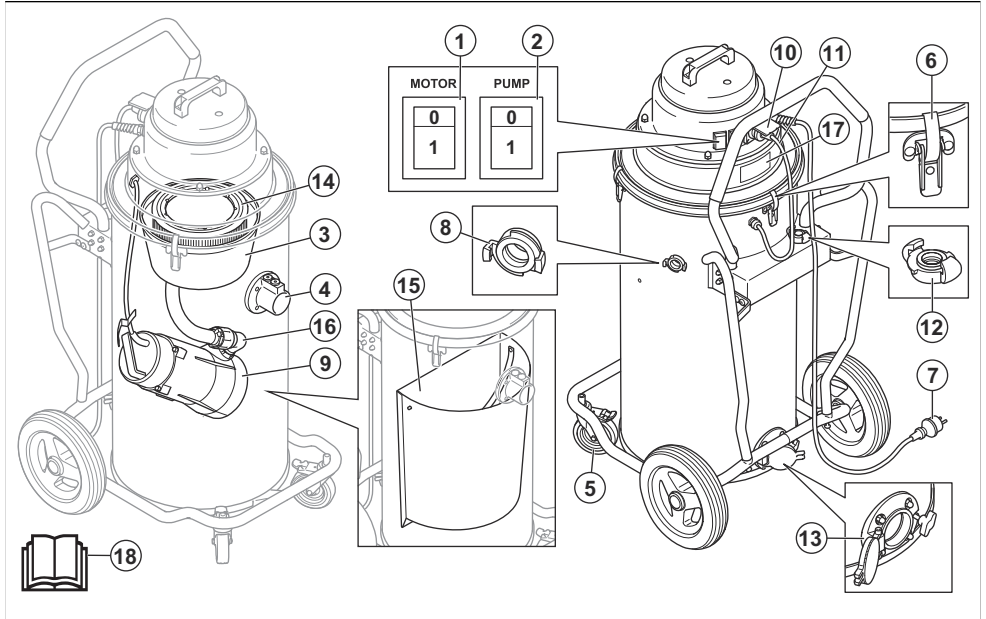
Le produit est destiné à un usage domestique et commercial pour aspirer et recueillir du liquide non explosif, ininflammable et non combustible.

Le W 70 et le W 70 P peuvent être utiliser temporairement pour aspirer des matériaux secs. Les sacs secs doivent alors toujours être utilisés et le filtre doit être remplacé par un Hepa filter, vendu comme accessoire.

---

Il est de la responsabilité du propriétaire ou de l'employeur de s'assurer que l'utilisateur possède les connaissances nécessaires pour manipuler le produit

# Présentation du produit W 70 P



1. Interrupteur de marche/arrêt du moteur
2. Interrupteur de marche/arrêt de la pompe
3. Flotteur
4. Soupape d'admission
5. Roulettes verrouillables
6. Fixation à bascule
7. Câble d'alimentation
8. Sortie
9. Pompe
10. Prise pour le câble de pompe
11. Câble de pompe
12. Adaptateur pour le boyau d'évacuation
13. Soupape d'évacuation
14. Filtre
15. Crépine en acier inoxydable
16. Clapet antiretour
17. Plaque signalétique
18. Manuel de l'opérateur

## Symboles figurant sur l'appareil



Lire attentivement le manuel d'utilisation et veiller à bien comprendre les instructions avant d'utiliser le produit.



Toujours utiliser un masque filtrant approprié.



Toujours utiliser un dispositif de protection homologué pour les oreilles.



Toujours utiliser un dispositif de protection homologué pour les yeux.

## Responsabilité concernant le produit

Comme indiqué dans les lois en vigueur sur la responsabilité concernant les produits, nous ne serons pas tenus responsables des dommages que notre produit causerait dans les situations suivantes :

- Le produit n'est pas réparé de façon adéquate.
- Le produit est réparé avec des pièces qui ne sont pas fournies ou homologuées par le fabricant.
- Le produit comprend un accessoire qui n'est pas fourni ou homologué par le fabricant.
- Le produit n'est pas réparé par un centre de service après-vente agréé ou par une autorité homologuée.

---

# Sécurité

---

## Définitions relatives à la sécurité

Les avertissements, recommandations et remarques soulignent des points du manuel qui revêtent une importance particulière.



**AVERTISSEMENT** : Indique la présence d'un risque de blessure ou de décès de l'utilisateur ou de personnes à proximité si les instructions du manuel ne sont pas suivies.



**MISE EN GARDE** : Indique la présence d'un risque de dommages au produit, à d'autres appareils ou à la zone adjacente si les instructions du manuel ne sont pas suivies.

**Remarque** : Utilisé pour donner des renseignements plus détaillés qui sont nécessaires dans une situation donnée.

## Consignes générales de sécurité



**AVERTISSEMENT** : Lire les messages d'avertissement avant d'utiliser le produit.

- Lire attentivement le manuel d'utilisation et bien comprendre les directives avant d'utiliser le produit. Conserver ces instructions et consignes pour consultation ultérieure.
- Assurez-vous de lire attentivement et de bien comprendre les instructions du produit principal pour vous assurer de savoir quel équipement personnel porter, quel équipement de sécurité utiliser et comment travailler de manière sécuritaire.
- Toujours faire preuve d'attention et de bon sens. En cas d'appréhension, arrêter la machine et demander l'avis d'un expert. Communiquer avec le distributeur, l'agent de maintenance ou un utilisateur expérimenté. Ne pas tenter d'effectuer des tâches si vous avez des doutes!
- Garder en tête que c'est vous, l'opérateur, qui êtes responsable de protéger les personnes et leurs biens de tout accident ou danger.
- Le produit doit être propre. Les signes et les autocollants doivent être entièrement lisibles.
- Le produit n'est pas destiné à être utilisé par des enfants ou des personnes aux capacités physiques, sensorielles ou mentales limitées ou manquant d'expérience et de connaissances.
- Ne jamais utiliser un appareil défectueux. Effectuer les vérifications de sécurité, de maintenance et

d'entretien conformément aux instructions fournies dans ce manuel. Certaines mesures de maintenance et d'entretien doivent être effectuées par des spécialistes formés et qualifiés. Se reporter à la section *Entretien à la page 27*.

## Consignes de sécurité électrique



**AVERTISSEMENT** : Lire les messages d'avertissement qui suivent avant d'utiliser le produit.

- Le produit est équipé d'un protecteur thermique de sécurité afin d'éviter toute surchauffe du moteur. Si le protecteur thermique s'active, désactiver la machine, débrancher le fil d'alimentation et vérifier si le sac à poussière est plein, le tuyau d'aspiration obstrué ou le filtre colmaté. Il est possible que le protecteur thermique prenne jusqu'à 45 minutes pour se réinitialiser.
- Avant d'utiliser le produit, s'assurer que la tension d'alimentation correspond à la tension indiquée sur la plaque signalétique des machines, y compris les rallonges.
- Brancher les machines sur une prise mise à la terre correcte seulement. Se reporter à *Instructions de mise à la terre à la page 26*.
- Un mauvais branchement de l'équipement-conducteur de terre peut engendrer un risque d'électrocution. Si on n'est pas certain de savoir si la prise est correctement mise à la terre, demander l'aide d'un électricien de métier ou d'une personne chargée de l'entretien. Ne pas modifier la fiche fournie si elle n'est pas compatible avec la prise; demander à un électricien qualifié d'installer une nouvelle prise.
- Si on utilise une rallonge électrique, s'assurer que la caractéristique nominale du fil d'alimentation est adéquate pour cette machine.
- Les câbles endommagés par écrasement ou segmentation peuvent être dangereux en cas d'utilisation, et doivent être immédiatement remplacés.
- Ne pas utiliser si le fil ou la fiche sont endommagés. Si la machine ne fonctionne pas comme elle le devrait, si elle est tombée, si elle a été endommagée, si elle a été laissée dehors ou si elle est tombée dans l'eau, la rapporter au centre d'entretien. S'assurer de la faire réparer par une personne qualifiée pour éviter les risques.
- Contrôler régulièrement le fil et la fiche à la recherche de dommages. Ne pas utiliser si le fil ou la fiche sont endommagés.
- Ne pas tirer sur le fil ou transporter l'appareil à l'aide de celui-ci. Ne pas fermer de porte sur le fil. Ne pas tirer le fil autour d'une arrête ou d'un angle



prononcé. Ne pas laisser l'équipement passer sur le fil. Tenir le fil éloigné de toute surface chaude.

- Ne pas débrancher en tirant le fil. Pour débrancher, tirer la fiche.
- Ne pas laisser la machine sans surveillance si celle-ci est branchée. Débrancher le fil de la prise si la machine n'est pas en cours d'utilisation ou si elle est en cours d'entretien.

## Consignes de sécurité pour l'assemblage



**AVERTISSEMENT** : Lire les messages d'avertissement qui suivent avant d'assembler l'outil.

- Ne pas modifier une partie de l'outil sans l'approbation du fabricant.
- Les modifications et/ou les accessoires non autorisés peuvent entraîner des blessures graves ou la mort de l'utilisateur ou d'autres personnes.
- Utiliser uniquement de la manière décrite dans le présent manuel. Utiliser seulement les accessoires recommandés par le fabricant.
- Toujours utiliser des accessoires d'origine.
- S'assurer que la zone d'assemblage est ferme, de sorte que l'extracteur de poussière ne se renverse pas. Risque de blessures et de dégâts matériels.
- Faire preuve de prudence, puisque les fixations à bascule peuvent causer des dommages à l'opérateur lors du montage du produit.

## Consignes de sécurité pour l'utilisation



**AVERTISSEMENT** : Lire les messages d'avertissement qui suivent avant d'utiliser l'appareil.

- Le produit ne doit pas être utilisé dans des milieux près de gaz explosifs.
- Ne pas utiliser pour ramasser un liquide combustible ou inflammable ou à proximité d'un tel liquide.
- N'insérer aucun objet dans les ouvertures. Ne pas utiliser avec des ouvertures obstruées. Garder exempt de poussière, de cheveux et de tout ce qui peut diminuer le débit d'air.
- Ne pas pointer le tuyau d'aspiration vers des parties du corps lorsque la machine est en marche. Ne pas placer de parties du corps contre l'entrée d'aspiration si le tuyau d'aspiration n'est pas installé.

- Tenir les cheveux, les vêtements amples, les doigts et toute autre partie du corps éloignés des ouvertures et des pièces en mouvement.
- Ne pas utiliser ce produit pour aspirer des matériaux secs sans sac à poussière et/ou filtre.
- Ce produit ne doit pas être considéré comme un jouet. Porter une attention particulière lors de travaux effectués à proximité d'enfants.
- Les opérateurs doivent être suffisamment formés à l'utilisation du produit.
- Éteindre toutes les commandes avant de débrancher.
- Pour réduire le risque d'électrocution, toujours installer le dispositif flottant avant toute opération de ramassage de matériaux humides
- Porter une attention particulière lors du nettoyage dans les escaliers.
- Tenir les enfants et les personnes non autorisées à l'écart du produit lors de son utilisation.
- Afin de réduire les risques de choc électrique, ne pas exposer à la pluie. Ranger à l'intérieur.
- Remplacer le système de collecte et/ou les filtres comme décrit dans le présent manuel. Se reporter à la section *Remplacement du filtre à la page 28*.

## Équipement de protection personnelle



**AVERTISSEMENT** : Lire les messages d'avertissement qui suivent avant d'utiliser l'appareil.

- De la poussière nocive pour la santé peut se répandre pendant le remplacement du filtre et des sacs. Par conséquent, l'utilisateur doit porter des lunettes de protection, des gants de protection et un masque respiratoire conforme à la protection class FFP3.

## Consignes de sécurité pour la maintenance



**AVERTISSEMENT** : Lire les messages d'avertissement qui suivent avant d'utiliser l'outil.

- Toutes les réparations doivent être effectuées par un technicien qualifié. Utiliser seulement les pièces de rechange fournies par le fabricant ou leur équivalent.
- Quand on soulève le produit, s'assurer que le conteneur de déchets est vide et qu'aucun corps ne reste sous le produit.

---

# Montage

---

## Introduction



**MISE EN GARDE :** Utilisez uniquement un câble de rallonge avec la bonne valeur nominale pour ce produit.



**MISE EN GARDE :** Ne pas laisser d'eau ni de saleté humide dans le dispositif d'aspiration. Cela peut provoquer de mauvaises odeurs et une nuire à l'hygiène.

- flexible avec raccords d'extrémité
- tube en acier
- buse de sol
- outil pour crevasses
- 1 sac de collecte de boues

Si l'une des pièces est manquante, en parler à l'atelier spécialisé de sa région.

S'assurer de mettre l'emballage et les composants usagés du produit en suivant la procédure adéquate. Se reporter aux réglementations locales. S'assurer de recycler.

## Généralités

Vérifier que les accessoires suivants sont inclus :

---

# Fonctionnement

---

## Introduction



**AVERTISSEMENT :** Avant d'utiliser la machine, veuillez lire et comprendre le chapitre sur la sécurité et les instructions d'utilisation.

une prise polarisée que d'un seul côté. Si la fiche ne s'insère pas à fond dans la prise de courant, inverser le sens d'insertion. Si elle refuse toujours de s'insérer, faire appel à un électricien qualifié pour installer une prise correctement polarisée. Ne jamais modifier la fiche de quelque façon que ce soit.

## Avant l'utilisation



**AVERTISSEMENT :** Brancher la fiche d'alimentation dans une prise de courant de bonne tension, voir la plaque d'identification.

## Pour raccorder le bon tuyau d'évacuation

L'adaptateur convient à la plupart des tuyaux de 25 mm / 1 pouce.

- Utiliser l'adaptateur fourni.
- Poser l'adaptateur sur l'extrémité du tuyau.
- Brancher l'adaptateur à la sortie.

## Instructions de mise à la terre



**AVERTISSEMENT :** Le produit doit être mis à la terre. En cas de dysfonctionnement ou de panne, la mise à la terre fournit un chemin de moindre résistance au courant électrique afin de réduire le risque d'électrocution. Le produit est équipé d'un fil d'alimentation avec un conducteur de mise à la terre et une fiche de terre. La fiche doit être insérée dans une prise adéquate correctement installée et mise à terre conformément à tous les codes et décrets locaux.

## Pour monter le tuyau d'aspiration

Le produit est équipé d'un flexible d'admission doté d'un verrou. Le verrou du flexible permet d'assurer que l'adaptateur du tuyau d'aspiration tombe.

1. Soulever le verrou du flexible et monter l'adaptateur du tuyau d'aspiration.
2. Abaisser le verrou du flexible dans l'évidement de l'adaptateur.

## Pour fixer l'embout du tuyau

La buse de sol est dotée de roues réglables. Régler les roues afin d'obtenir le meilleur effet d'aspiration. Régler les roues au moyen du bouton qui se trouve sur le côté arrière de la buse. Les roues et les bandes de caoutchouc de la buse sont remplaçables. Toujours garder la buse en bon état.

## Fiche polarisée

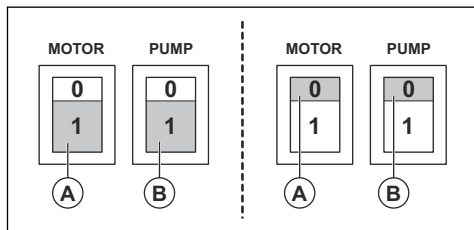


**AVERTISSEMENT :** Pour réduire le risque de choc électrique, ce produit est doté d'une fiche polarisée (une lame est plus large que l'autre). La fiche s'insère dans

## Pour démarrer et arrêter le W 70 P et le W 250 P

L'interrupteur du moteur est le bouton A, et celui de la pompe est le bouton B sur la figure.

- Appuyer sur le bouton (1) pour démarrer le produit.
- Appuyer de nouveau sur le bouton (0) pour désactiver le produit.



### Après l'utilisation

1. Mettre hors tension l'appareil d'aspiration à l'aide de l'interrupteur.

2. Débrancher le fil d'alimentation. Ne pas retirer le câble de pompe.
3. Vider et nettoyer l'appareil d'aspiration et les accessoires utilisés. Se reporter aux sections *Pour monter le tuyau d'aspiration à la page 26* et *Nettoyage de la machine à la page 28*.

### Pour remplacer le sac

1. Débrancher le fil d'alimentation et retirer le câble de pompe.
2. Desserrer les 3 fixations à bascule et retirer la partie supérieure.
3. Soulever le flotteur.
4. Retirer et jeter l'ancien sac. Se reporter à la réglementation locale.
5. Insérer le nouveau sac dans la crépine en acier inoxydable.
6. Visser la petite ouverture sur le tuyau d'entrée interne. Laisser la languette reposer sur le bord du conteneur.
7. Effectuer les étapes 1 à 3 dans l'ordre inverse.

## Entretien

### Introduction



**AVERTISSEMENT** : La plupart des accidents impliquant des machines se produisent lors des travaux de dépannage, d'entretien ou de maintenance, lorsqu'un membre du personnel pénètre dans la zone de risque de la machine. Pour éviter les accidents, rester attentif, planifier et préparer le travail à effectuer.



**AVERTISSEMENT** : Avant de procéder à l'entretien du produit, s'assurer que l'interrupteur du moteur et l'interrupteur de la pompe sont en position d'arrêt.

Débrancher le fil d'alimentation et retirer le câble de pompe.



**AVERTISSEMENT** : Toutes les vérifications relatives aux composants électriques ne doivent être effectuées que par un électricien agréé.



**AVERTISSEMENT** : Ne pas percer le filtre. Risque de dispersion de poussière.

### Calendrier d'entretien

La fréquence d'entretien est calculée sur la base d'une utilisation quotidienne. Les intervalles changent si le produit n'est pas utilisé tous les jours.

Entretien	Avant chaque usage	Après chaque usage	Quotidien	Hebdomadaire	6 mois ou 1 000 h	12 mois ou 2 000 h
S'assurer de l'absence de traces d'usure, de dommage ou de raccords desserrés au niveau des commandes avant de brancher la machine.	X					
Vider et nettoyer le réservoir et les accessoires.		X				

Entretien	Avant chaque usage	Après chaque usage	Quotidien	Hebdomadaire	6 mois ou 1 000 h	12 mois ou 2 000 h
Vérifier les filtres. <sup>15</sup>			X			
Vérifier les roues. S'assurer de l'absence de dommages et de raccords desserrés. Les verrous des roulettes doivent fonctionner correctement.				X		
Vérifier le fonctionnement de la soupape de retenue sur les modèles P.				X		
Vérifier l'usure mécanique des raccords de tuyau. S'assurer que l'étanchéité est parfaite.				X		
Remplacement de filtre <sup>16</sup>						X
Vérifier le joint du tuyau et son étanchéité.			X			

## Nettoyage de la machine



**AVERTISSEMENT :** S'assurer que l'interrupteur du moteur et l'interrupteur de la pompe sont en position d'arrêt avant de nettoyer le produit. Débrancher le fil d'alimentation. Ne pas retirer le câble de pompe

Il est important de nettoyer le produit afin d'éviter tout dommage et toute circulation de déchets dangereux. Toujours nettoyer le produit avant de le déplacer hors de la zone de travail. Si le produit doit être utilisé à d'autres fins, il est extrêmement important de le nettoyer pour éviter la propagation de matières dangereuses.

Après avoir fait circuler de la boue dans la pompe, rincer le système avec une quantité importante d'eau propre. Ne pas laisser de boue dans la pompe ou au fond du réservoir. Cela causera des dommages à la pompe, et la boue durcira et colmatera le système. Lorsqu'on utilise l'appareil pour ramasser des matériaux secs, puis qu'on passe au ramassage de matériaux humides, ou vice versa, s'assurer que les filtres sont nettoyés correctement et avec soin pour éviter toute accumulation ou obstruction dans le système.

Toutes les pièces contaminées après intervention pour entretien doivent être éliminées dans des sacs en

plastique selon la procédure adéquate. Se reporter à la réglementation locale.

- Utiliser un équipement personnel pour nettoyer le produit. Se reporter à la section *Équipement de protection personnelle à la page 25*
- Nettoyer la surface externe au moyen d'un chiffon humide.
- Nettoyer les filtres et le collecteur de boue dans la zone adéquate.
- Rincer le système avec de l'eau propre pour bien nettoyer la pompe.

## Remplacement du filtre



**AVERTISSEMENT :** Utiliser un équipement de protection individuelle, se reporter à la section *Équipement de protection personnelle à la page 25*, pendant le remplacement du filtre. De la poussière peut se disperser lors du changement de filtre.



**AVERTISSEMENT :** Lors du remplacement du filtre, toujours placer le commutateur du moteur à la position Off (Arrêt) et débrancher le fil de la prise secteur.

<sup>15</sup> Ne vise que le W 70 et le W 70 P.

<sup>16</sup> Ne vise que le W 70 et le W 70 P.



**AVERTISSEMENT :** Faire preuve de prudence, puisque les fixations à bascule peuvent causer des dommages à l'opérateur lors du montage du produit.

5. Vérifier le joint sur le porte-filtre. Remplacer le joint s'il est endommagé.
6. Installer le filtre neuf.
7. Nettoyer toutes les autres pièces.

### Pour remplacer les filtres

Seuls le W 70 et le W 70 P sont munis d'un filtre supplémentaire pour filtrer la mousse de boue des particules.

1. Débrancher le fil d'alimentation. Retirer le câble de pompe.
2. Desserrer les 3 pièces de fixation à bascule pour retirer la partie supérieure.
3. Retirer le porte-filtre avec le filtre.
4. Desserrer l'écrou du porte-filtre et retirer le bouchon du filtre et le filtre.

### Dispositif flottant

Un dispositif flottant protège le moteur du liquide.

- Faire régulièrement l'inspection visuelle du dispositif flottant pour s'assurer qu'il n'est pas endommagé ni obstrué.

Lorsque le dispositif flottant est activé, le moteur doit être arrêté et l'eau doit être évacuée avant la mise sous tension du moteur.

## Dépannage

### Annexe sur le dépannage

Problème	Causes	Solution
Le moteur ne démarre pas	Il n'y a pas de courant	Brancher le produit
	Câble défectueux	Remplacer le câble
	Commutateur défectueux	Remplacer l'interrupteur
Le moteur s'arrête immédiatement après le démarrage	Fusible incorrect	Raccorder le bon fusible
	Court-circuit au niveau du câble/de la machine	Demander un entretien
Le moteur tourne, mais il n'y a pas d'aspiration	Le flexible n'est pas raccordé	Brancher le tuyau
	Flexible obstrué	Nettoyer le flexible
	Dispositif flottant activé.	Vérifier le niveau d'eau et si le flotteur est endommagé.
Le moteur tourne, mais l'aspiration est faible	Tuyau percé	Remplacer le flexible
	Le filtre est bouché	Nettoyer ou remplacer le filtre
	Unité d'aspiration desserrée	Le serrer
	Présence de saleté dans le tuyau ou l'admission	Nettoyer le tuyau et l'admission
	Joints défectueux	Remplacer les joints en question
	Clapet anti-retour bloqué ou défectueux.	Nettoyer ou remplacer le clapet anti-retour.
Le moteur rejette de la poussière	Système de filtres mal assemblé ou endommagé <sup>17</sup>	Ajuster ou remplacer les filtres

<sup>17</sup> Ne vise que le W 70 et le W 70 P.

Problème	Causes	Solution
Mauvais pompage	La pompe ou les tubes sont bloqués <sup>18</sup>	Nettoyer la pompe, le clapet anti-retour et le tuyau
Bruit anormal		Demander un entretien

---

## Transport, entreposage et mise au rebut

---

### Transport du produit

- L'appareil doit être solidement fixé pendant le transport.
- Dans la mesure du possible, toujours le transporter dans un véhicule fermé.
- Éviter de le transporter dans des conditions météorologiques défavorables.
- Utiliser des rampes ou des treuils pour soulever l'extracteur de poussière afin de s'assurer que les mouvements sont sécuritaires. Obtenir l'aide si on n'est pas sûr de la procédure de levage des équipements lourds.
- Engager le verrouillage de sécurité des roulettes sur les roues.
- Pendant le transport, immobiliser le matériel afin d'éviter les dommages et les accidents dus au transport.
- Il est recommandé de transporter le produit à la verticale dans la mesure du possible.
- Il est recommandé de vider le produit avant le transport.

### Entreposage du produit

- Le produit doit être remis à l'intérieur, à l'écart des éléments extérieurs.
- Ne pas exposer le produit à la pluie ou l'humidité.
- Monter le verrouillage de sécurité des roulettes en toute sécurité. Ne vise que le W 70 et le W 70 P.
- Débrancher le produit de la source d'alimentation.
- Conserver le produit et l'équipement dans un endroit sec, sans gel ni chaleur excessive.
- Remiser l'ensemble de l'équipement dans une zone verrouillable, de façon à le mettre hors de portée des enfants et des personnes non autorisées.

### Mise au rebut du produit

- Respecter les exigences locales en matière de recyclage et la réglementation en vigueur.
- Lorsqu'on n'utilise plus le produit, l'envoyer à un détaillant ou le mettre au rebut à un emplacement de recyclage.

---

<sup>18</sup> Ne vise que le W 70 P et le W 250 P.

## Données techniques

### Données techniques

Données	W 70 P 110V
Tension (1 phases), V	110-120
Fréquence, Hz	60
Puissance du moteur, hp (kW)	2,8 (2,1)
Courant (max), A	18
Débit d'air, cfm (m <sup>3</sup> /h)	118 (200)
Aspiration, lb/po <sup>2</sup> (kPa)	94 (24)
Élévation d'eau, po (m)	100 (2,5)
Diamètre du tuyau principal, po (mm)	1,5 (38)
Longueur du tuyau principal, pi (m)	10 (3)
Diamètre d'entrée, po (mm)	1,5 (38)
Filtre (Oui/Non)	Oui
Zone de filtre, pi <sup>2</sup> (m <sup>2</sup> )	6,5 (0,6)
Système de collecte La poussière (type), gal (l)	Sac jetable ou contenant en acier inoxydable, 18,5 (70)
Pompe d'évacuation (Oui/Non)	Oui
Puissance de la pompe (max), kW (hp)	1,2 (0,9)
Courant de la pompe (max), A	7,5
Élévation d'eau de la pompe, pi (m)	40 (12)
Refoulement de la pompe, gal/min (l/min)	69 (260)
Dimension (Lxlxh), po (mm)	23,6X22,4x49,2 (600x570x1250)
Poids, lb (kg)	97 (44)
Niveau de puissance acoustique garanti (L <sub>WA</sub> ), mesuré, dB(A) <sup>19</sup>	86
Niveau de pression sonore L <sub>PA</sub> au niveau de l'oreille de l'utilisateur, en dB(A) <sup>20</sup>	76
Niveau de vibrations a <sub>h</sub> , m/s <sup>221</sup>	≤2,5

<sup>19</sup> Émission du bruit dans l'environnement mesurée en tant que puissance acoustique (LWA) conforme à la directive EN 60335-2-69. Incertitude Kwa 2dB.

<sup>20</sup> Niveau de pression sonore selon la directive EN 60335-2-69. Incertitude KPA 2dB.

<sup>21</sup> Niveau de vibration selon EN 60335-2-69. Les données signalées pour le niveau de vibration présentent une dispersion statistique type (écart standard) de 1 m/s<sup>2</sup>.



[www.husqvarnaconstruction.com](http://www.husqvarnaconstruction.com)

Original instructions  
Instrucciones originales  
Instructions d'origine

1140483-49 Rev. B



2023-01-13