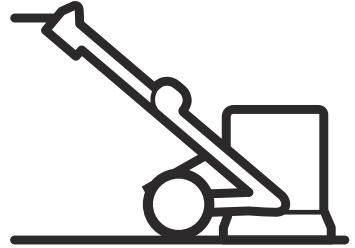




Husqvarna®



PG 280 S, PG 280

EN	Operator's manual
DE	Bedienungsanweisung
FR	Manuel d'utilisation
NL	Gebruiksaanwijzing

2-25
26-49
50-72
73-95

Contents

Introduction.....	2	Troubleshooting.....	17
Safety.....	6	Transportation and storage.....	18
Operation.....	9	Technical data.....	22
Maintenance.....	16	Declaration of Conformity.....	24

Introduction

Product description

The product is a power grinder for concrete surfaces of different hardness. The grind range is from rough surfaces through to smoother finish.

For example, the product has these functions:

- A grinding head cover that adjusts the movement to the surface layer.

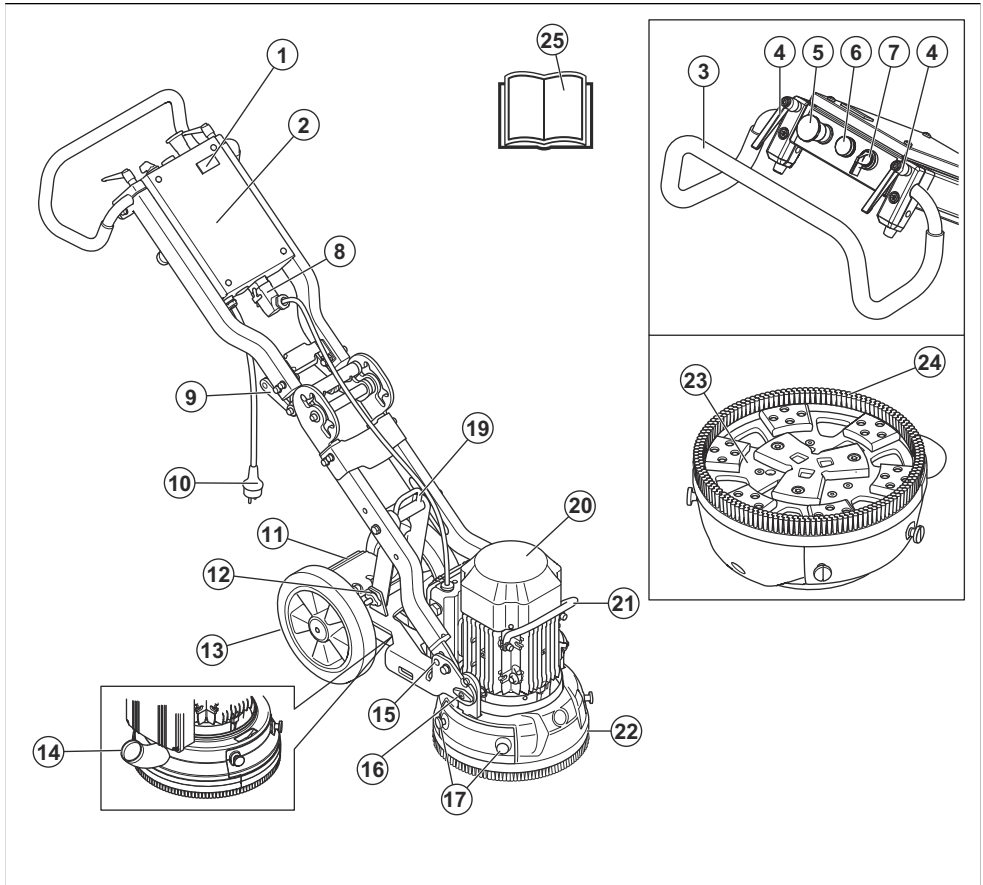
- A grind area of 280 mm.

Intended use

The product is used to grind concrete and other types of hard floors. Only use the product on dry surfaces.

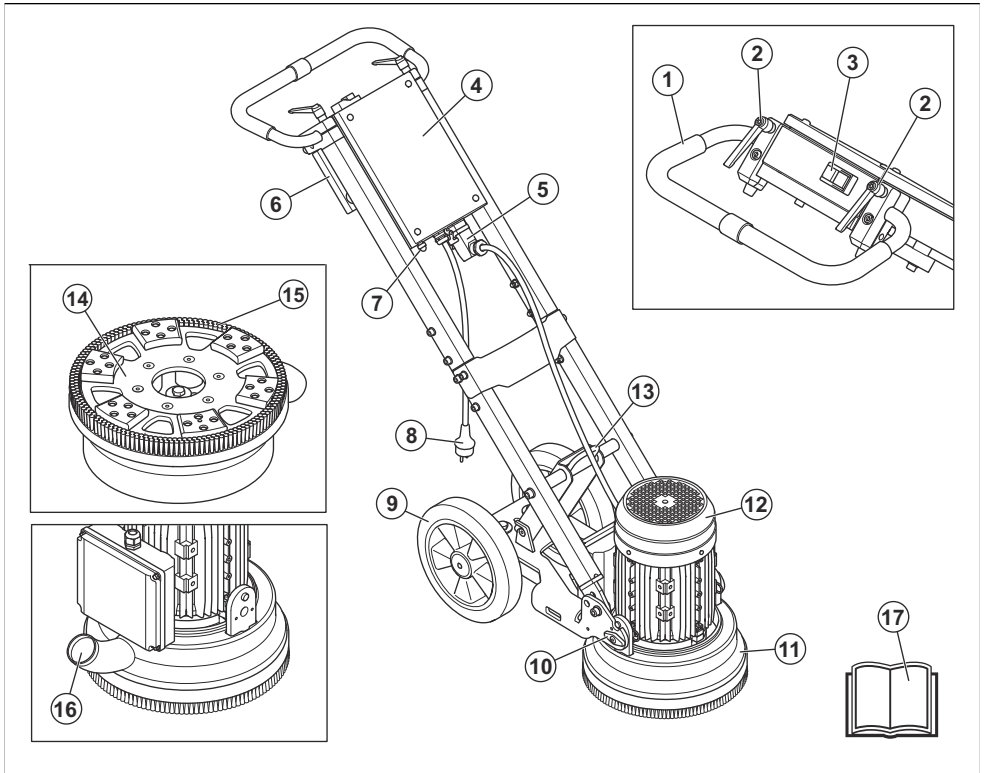
The product is used in commercial operations by professional operators. Do not use the product for other tasks.

Product overview PG 280



- | | |
|---|---|
| 1. Hour meter | 14. Connection, vacuum hose |
| 2. Electrical enclosure | 15. Lock function |
| 3. Handle/Handlebar | 16. Lock bolt to attach the motor/grinding head |
| 4. Locking knobs for handlebar adjustment | 17. Screws for edge grinding hatch |
| 5. Emergency stop | 18. Edge grinding hatch |
| 6. Overload lamp | 19. Lifting eye |
| 7. ON/OFF switch | 20. Electric motor |
| 8. Connection for motor cable | 21. Lift handle, motor |
| 9. Handle for angle joint | 22. Grinding head cover |
| 10. Power plug | 23. Tool plate |
| 11. Foot pedal | 24. Brush strip |
| 12. Locking knob | 25. Operator's manual |
| 13. Rubber wheels | |

Product overview PG 280 S



1. Handle/Handlebar
2. Locking knobs for handlebar adjustment
3. ON/OFF switch
4. Electrical enclosure
5. Connection for motor cable
6. Counterweight
7. Overload lamp
8. Power plug
9. Rubber wheels
10. Lock bolt to attach the motor/grinding head
11. Grinding head cover
12. Electric motor
13. Lifting eye
14. Tool plate
15. Brush strip
16. Connection, vacuum hose
17. Operator's manual

Symbols on the product



WARNING: This product can be dangerous and cause serious injury or death to the operator or others. Be careful and use the product correctly.



Read the manual carefully and make sure that you understand the instructions before you use the product.



Use hearing protection, eye protection and respiratory protection. Refer to *Personal protective equipment on page 7*.



The dust can cause health problems. Use an approved respiratory protection. Always make sure that there is good airflow.



This product is in compliance with applicable EC directives.



This product conforms to applicable UK regulations.



The product agrees with applicable Eurasian Customs Union directives.



China RoHS Environment-Friendly Use Period (EUFPP) symbol.



Noise emission to the environment label as per EU and UK directives and regulations. The guaranteed sound power level of the product is specified in *Technical data on page 22* and on the label.



The product is not domestic waste. Recycle it at an approved disposal location for electrical and electronic equipment.

Note: Other symbols/decals on the product refer to special certification requirements for some markets.

1. Model
2. Rated voltage, V
3. Rated current, A
4. Power output, kW
5. Motor, Hz
6. Grind area, mm
7. Weight, kg
8. Production year and serial number
9. Production number
10. Manufacturer address

Product damage

We are not responsible for damages to our product if:

- the product is incorrectly repaired.
- the product is repaired with parts that are not from the manufacturer or not approved by the manufacturer.
- the product has an accessory that is not from the manufacturer or not approved by the manufacturer.
- the product is not repaired at an approved service center or by an approved authority.

Type plate

Husqvarna®			
①			
②	③	④	⑤
⑥		⑦	
⑧		⑨	
⑩			

Safety

Safety definitions

Warnings, cautions and notes are used to point out specially important parts of the manual.



WARNING: Used if there is a risk of injury or death for the operator or bystanders if the instructions in the manual are not obeyed.



CAUTION: Used if there is a risk of damage to the product, other materials or the adjacent area if the instructions in the manual are not obeyed.

Note: Used to give more information that is necessary in a given situation.

General safety instructions



WARNING: Read the warning instructions that follow before you use the product. Save all warnings and instructions. Refer to the warnings and instructions for future work, if it is necessary.

- The safety section gives basic directions on how to use the product correctly. This information is not an alternative for professional knowledge and experience. If you are in a situation where you do not feel safe, stop and get professional support. Speak to your dealer, service agent or an operator with experience. Do not try a task where you do not feel sure.
- Keep work area clean and bright, this will decrease the risk of accidents.

Safety instructions for operation



WARNING: Read the warning instructions that follow before you use the product. Save all warnings and instructions for future operations.



WARNING: Overexposure to vibration can cause circulatory damage or nerve damage to persons with decreased blood circulation. Get medical aid if you have symptoms of overexposure to vibration. These symptoms include numbness, loss of feeling, tingling, pricking, pain, loss of strength, changes in skin color or condition.

These symptoms usually show in the fingers, hands or wrists.

- Only use the product for operations that are given in this manual. Refer to *Intended use on page 2*.
- Use personal protective equipment. Refer to *Personal protective equipment on page 7*.
- Do not go away from the product when the motor is on.
- Connect the motor cable to the electrical enclosure before you connect the plug.
- Do not let other operators use the product if they have not read and understood this operator's manual.
- Only start the product with the brush strip attached. The brush strip must seal tightly to the surface, especially during dry surface operations.
- Make sure that the brush strip is not damaged and is clean. Replace the brush strip if it is damaged.
- When you stop the motor, continue the grinding operation until the fan comes to a complete stop.
- Lift the grinding head if a check of the start procedure is necessary. Do not attach diamond tools during the check.
- Only start the product when the grinding head is put on the surface.
- Do not use the product in areas where fire or explosions can occur.
- Disassemble the diamond tool after each operation.
- Make sure that the tool plate does not rotate if you lift the product. The tool plate continues to rotate for a while after the motor stops.
- When you remove the diamond tools, let the product become cool and use protective gloves. Diamond tools are very hot after use.
- Make sure to connect the product to a dust extractor for removal of the dust.
- Make sure that the product is assembled correctly.
- Use the lifting eye to lift the product.
- Do not use the product if there are signs of damage.
- Only start the product when the grinding head touches the surface, unless you do a check of the ON/OFF switch.
- Only operate the product from behind with your 2 hands on the handle.
- Do not operate the product unless you have experience and receive training before use. Make sure that all operators receive training.
- Do not let a person, without knowledge of the instructions, operate the product.
- Always monitor a person, with decreased physical capacity or mental capacity, that uses the product. A responsible adult must be there at all times.

- Make sure that only approved persons are in the work area, because there is a risk of serious injury.
- Make sure that clothing, long hair and jewelry do not get caught in moving parts.
- Make sure that you are in a safe and stable position during operation.
- Sudden appearance of persons and animals can prevent safe operation of the product. Always operate the product carefully and be prepared to stop the product if it is necessary.
- Do not let a child operate the product.
- Do not let a child play with the product.
- Make sure that there is always one more person near when you use the product. If an accident occurs, you can receive help when it is necessary.
- Do not operate this product when you are tired, ill, or if you use alcohol, drugs or medicine. This can decrease your vision, your judgment or your coordination.
- Do not use a product that has been changed from its factory specification.
- Always use approved accessories. Speak to your dealer for more information.

Personal protective equipment



WARNING: Read the warning instructions that follow before you use the product.

- Always use correct personal protective equipment when you operate the product. The personal protective equipment does not erase the risk of injury. The personal protective equipment decreases the grade of injury if an accident occurs. Let your dealer help you select the right equipment.
- Use approved eye protection while you operate the product.
- Do not use loose, heavy and not applicable clothing. Use clothes that let you move freely.
- Use approved protective gloves that enables a solid hold.
- Use rubber protective gloves that prevents skin irritation from wet concrete.
- Use an approved protective helmet.
- Always use approved hearing protection while you operate the product. Noise for a long period can cause noise-induced hearing loss.
- The product makes dust and fumes that contain dangerous chemicals. Use an approved breathing protection.
- Use boots with steel toe-caps and non-slip soles.
- Make sure that you have a first aid kit near.
- Sparks can occur when you operate the product. Make sure that you have a fire extinguisher near.

Electrical safety



WARNING: There is always a risk of shocks from electrical products. Do not use the product in bad weather conditions. Do not touch lightning conductors and metal objects. Always use the product as given in this operator's manual to prevent injury.



CAUTION: The product obeys the requirements in EN61000-3-11 and is a subject for conditional connection to the power mains. Speak with the supply authority for instructions on how to connect the product.

Only connect the product to the power mains with resistance lower than 0.28 Ω. Get the interface point of the system resistance from the supply authority.

If the power mains has higher system resistance, short voltage drop can occur when the product is started. This can influence the operation of other products, for example flicker on the lights.

- Make sure that the power, fuse and mains voltage are the same as the voltage shown on the rating plate of the product.
- Always stop the product before you disconnect the power plug.
- Do not use the product if the cord or plug is damaged. Hand it in to an approved service center for repair. A damaged cable can cause serious injury and death.
- Use the cord correctly. Do not use the cord to move, pull or disconnect the product. Hold the plug to disconnect the power cord.
- Do not operate the product in water depths where the equipment of the product gets wet. The equipment can be damaged and the product can become live and cause injury.
- Do not get more moisture into the product than that is supplied by the water system. Prevent rain to come in touch with the product. Water that enters a power tool increases the risk of electrical shock.
- Always have the power cord disconnected when you connect or disconnect the connection for the motor cable and the electrical enclosure.

Grounded product instructions

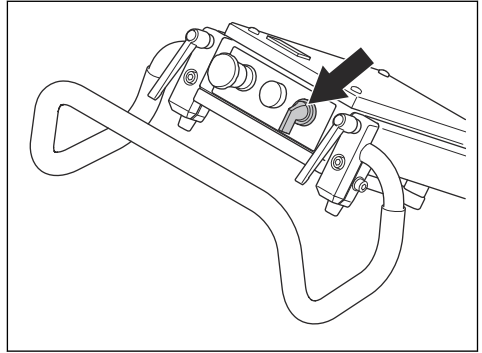


WARNING: Incorrect connection can result in electrical shock. Speak to an approved electrician if you are not sure if your mains outlet is correctly grounded.

Do not do modifications to the power plug from its factory specification. If the power

plug or power cord is damaged or must be replaced, speak to your Husqvarna service agent. Obey local regulations and laws.

If you do not fully understand the instructions about the grounded product, speak to an approved electrician.



Use only grounded outdoor extension cables with grounding plugs and grounding outlet that accepts the product power plug.

The product has a grounded power cord and power plug. Always connect the product to a grounded mains outlet. This decreases the risk of electrical shock.

Do not use electrical adapters with the product.

Extension cables

- Use only approved extension cables with sufficient length.
- The rated value on the extension cable must be the same or higher than given on the rating plate of the product.
- Use grounded extension cables.
- When you operate the product outdoors, use an extension cable that is applicable for outdoor operation. This decreases the risk of electrical shock.
- Keep the connection to the extension cable dry and off the ground.
- Keep the extension cable away from heat, oil, sharp edges or moving parts. A damaged cable increases the risk of electrical shock.
- Make sure that the extension cable is in good condition and not damaged.
- Do not use the extension cable while it is wound up. This can cause the extension cable to become too hot.
- Make sure that the extension cable is behind you and the product when you use the product. This prevents damage to the extension cable.

Safety devices on the product



WARNING: Read the warning instructions that follow before you use the product.

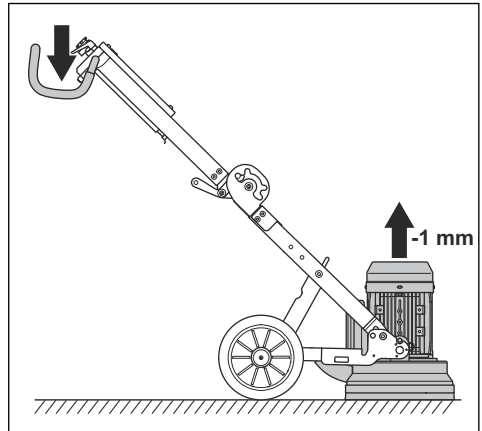
- Do not use a product with safety devices that are damaged or do not operate correctly.
- Do a check of the safety devices regularly. If the safety devices are damaged or do not operate correctly, speak to your Husqvarna service agent.
- Do not make modifications to safety devices.

ON/OFF switch

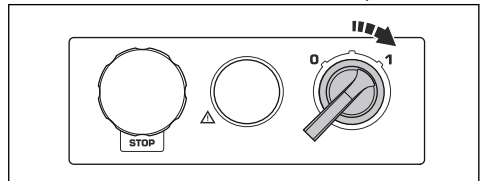
The ON/OFF switch is used to start and stop the product.

To do a check of the ON/OFF switch

1. Push down the handle to lift the grinding head from the floor. The pressure between the grinding head and the floor decreases.

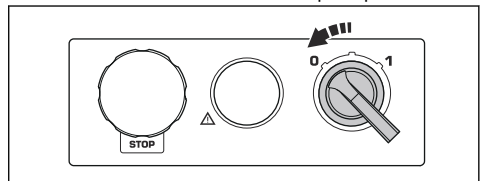


2. Set the ON/OFF switch to 1 to start the product.



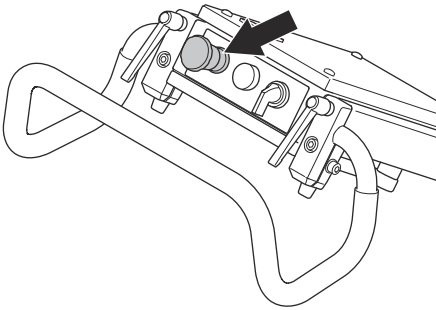
3. Wait for 5 seconds to let the product operate at idle speed.

4. Set the ON/OFF switch to 0 to stop the product.



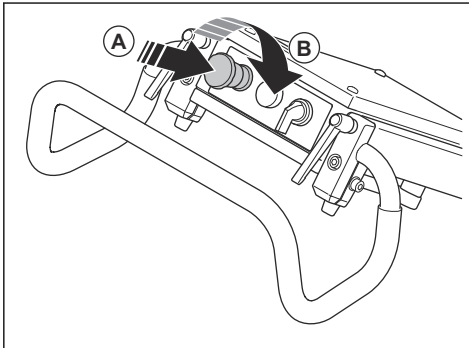
Emergency stop

The emergency stop is used to quickly stop the motor. The emergency stop at the product breaks the mains power supply.



To do a check of the emergency stop

1. Push the emergency stop button (A) and make sure that the motor stops.



2. Turn the emergency stop button clockwise (B) to disengage.

Safety instructions for maintenance



WARNING: Read the warning instructions that follow before you use the product. Save all warnings and instructions for future operations.

- Keep all parts in good condition and make sure that all fixtures are correctly tightened.
- Do not use a product that is damaged or does not operate correctly. Do the safety checks, maintenance and the servicing as given in this manual. All other maintenance work must be done by an approved servicing dealer.
- Stop the product and disconnect the power plug when you replace the diamond tools. Push the ON/OFF switch to 0.
- Do the inspection and/or maintenance with the motor stopped and the power plug disconnected.
- Do the maintenance to make sure that the product operates correctly. Refer to *Daily maintenance on page 16*.

Operation

Introduction

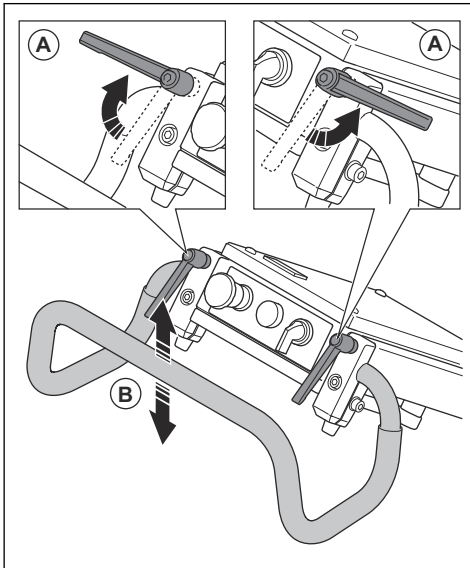


WARNING: Before you operate the product, you must read and understand the safety chapter.

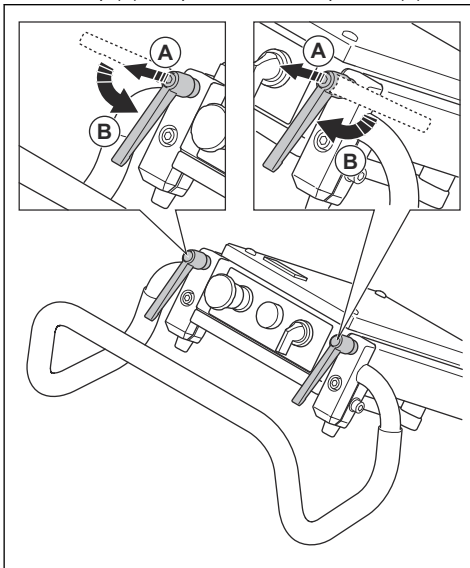
To adjust the handlebar

The handle lock knobs are operated clockwise, counterclockwise or put in idle position.

- Loosen the lock knobs (A) and adjust the handle (B) to idle position.



- Tighten the lock knobs to set the position.
- When the handle position is set, pull the handle lock knobs up (A) and put them into idle position (B).



Handle heights

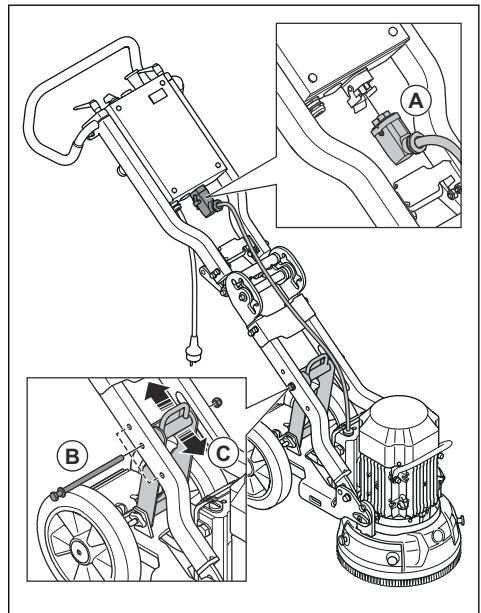
Handle position	Handle height PG 280 S	Handle height PG 280
Maximum top position, mm/in.	1120/44	835/33
Horizontal position, mm/in.	935/37	925/36
Maximum lower position, mm/in.	750/30	1000/39

To adjust the frame height

The angle of the frame can be changed to divide the weight of the chassis. This is to decrease or increase the grinding pressure against the surface.

Adjust the angle to set up a good work position for different operators.

- Disconnect the motor cable (A) from the electrical enclosure.



- Remove the lock knob (B).
- Select the applicable position (C) for the operation and put the lock knob (B) in correct hole. The bottom hole increases the grinding pressure and the height of the handlebar. The top hole decreases the grinding pressure and the handlebar.

Grinding pressure

Refer to the tables for the grinding pressure against the surface for each hole position.

Low, kg/lbs	Center, kg/lbs	Top, kg/lbs
23/51	25/55*	27/60
With accessory counterweight		
17/37	20/44*	23/51
*Factory setting		

Diamond tools

There are many types of diamond tools for the product. Speak to your approved service center or go to www.husqvarnacp.com to select correct diamond tool.

Installation of the diamond tools

The installation of the diamond tools on the tool plate has effect on the performance of the product. The diamond tool type together with the number of segments on the diamond tool is important.

Use metal bond diamond tools with 2 segments for usual grind operations, to make the surface level or light removal.

Use metal bond diamond tools with 1 diamond segment to increase the diamond tool pressure. This installation is for heavy removal with much force.

For the heaviest removal, we recommend to use tools that only run in one direction with PCD diamond tops.

Note: PIRANHA™ tools are made to run only in one direction.

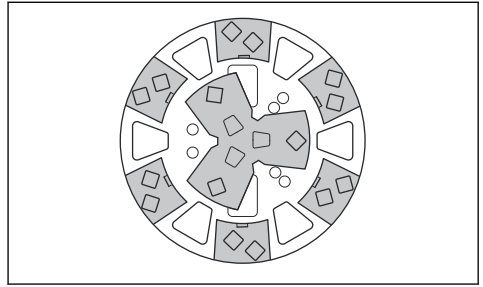
Metal bond diamond segments

Note: Husqvarna recommends to use 2 segment setup.

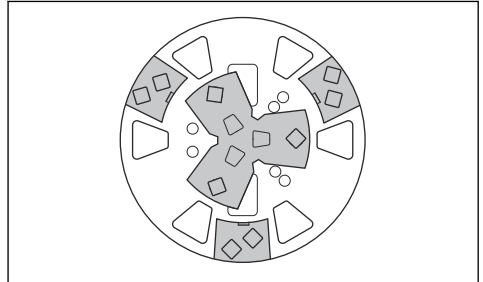
The setup of the diamond segments on the grinder will have an influence on the performance. The setup have an effect on the work rate of the product and the end quality of the surface.

There are a number of different diamond tool configurations that can be attached to the product.

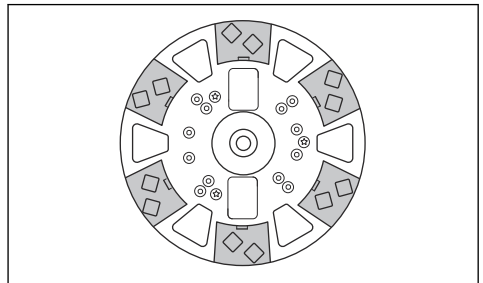
- For PG 280 Full set - inner and outer row. Smooth surface removal.



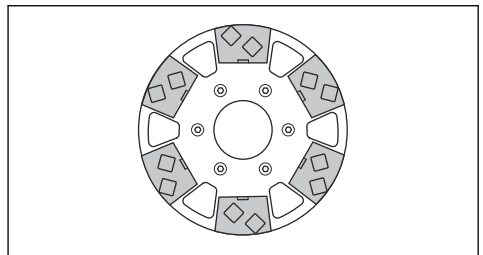
- For PG 280 Part set - inner and outer row. Effective flat surface removal.



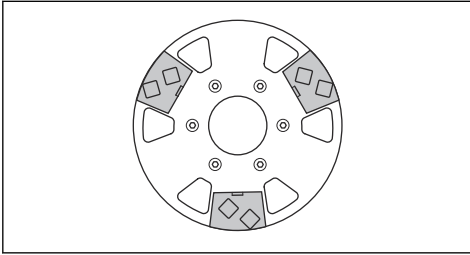
- For PG 280 Part set - outer row. Effective concentrated surface removal.



- For PG 280 S Full set - outer row. Effective concentrated surface removal.



- For PG 280 S Part set - outer row. Very aggressive concentrated surface removal.



Select the correct resin bond diamond for your operation

This table includes the basic configurations for the resin bonded diamond segments.

Surface	Full set - outer row	Half set - outer row
To polish terrazzo or stone tiles	X	
To make a new surface on terrazzo or stone tiles		X
To polish the surface of concrete floors - Hard concrete		X
To polish the surface of concrete floors - Medium concrete		X
To polish the surface of concrete floors - Soft concrete		X

To do before you operate the product

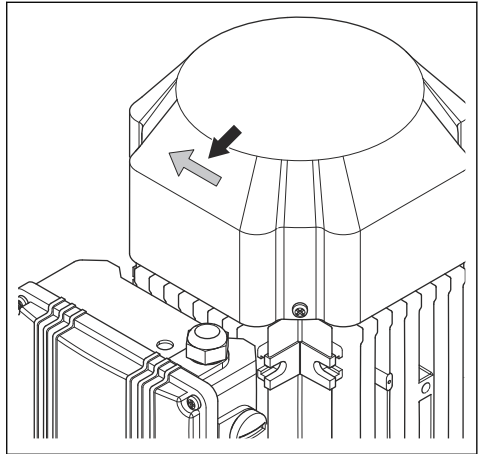
1. Read the operator's manual carefully and make sure that you understand the instructions.
2. Do daily maintenance. Refer to *Daily maintenance on page 16*.
3. Make sure that the product is assembled correctly and is not damaged.
4. Put the product on the work area.
5. Make sure that there are diamond tools on the tool plate and that they are tightly attached.
6. Connect the dust extractor to the product. Refer to *To connect a dust extractor on page 15*.
7. Adjust the handlebar to set the necessary work height.
8. Make sure that the motor cable is connected to the electrical enclosure before the product is connected to an electrical socket.
9. Connect the power plug of the product into the mains outlet.

10. Make sure that you know in which direction the motor rotates.

11. For PG 280 turn the emergency stop button clockwise to make sure that it is disengaged.

To do a check of the direction of rotation of the motor PG 280

1. Start the product. Refer to *To start the product on page 13*.
2. After some seconds, stop the product. Refer to *To stop the product on page 13*.
3. Make sure that the motor has the correct direction of rotation. The correct direction is shown with an arrow on top of the fan cover.

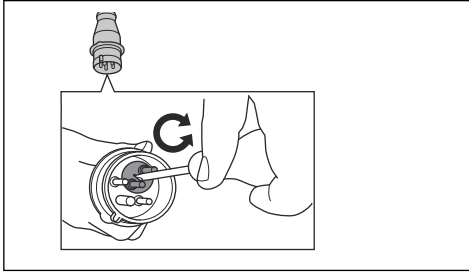


4. If it is necessary, change the direction of rotation of the motor. Refer to *To change the direction of rotation of the motor (3-phase only) PG 280 on page 12*.

To change the direction of rotation of the motor (3-phase only) PG 280

1. Set the ON/OFF switch to 0 to stop the motor. Refer to *To stop the product on page 13*.
2. Wait until the product has fully stopped.
3. Disconnect the extension cord from the power plug on the product.

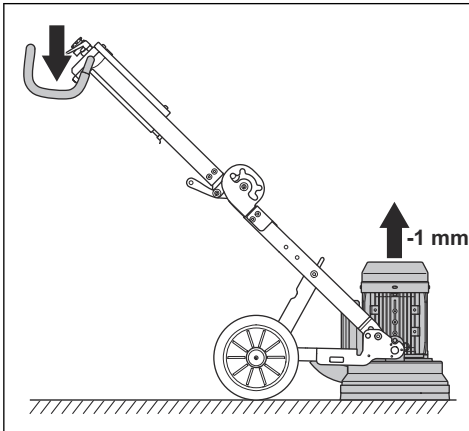
- Turn the inverter switch in the power plug on the product to the opposite position.



- Connect the power cord and do a check of the direction of rotation of the motor. Refer to *To do a check of the direction of rotation of the motor PG 280 on page 12*.

To start the product

- Push down the handle lightly to lift the grinding head from the surface, approximately 1 mm. This decreases the pressure against the surface. Do not lift the grinding head fully from the surface.



- Set the ON/OFF switch to 1 to start the product. In less than 5 seconds the product operates at the idle speed. Refer to *ON/OFF switch on page 8*.

To stop the product



CAUTION: Do not lift the tool plate from the surface when you stop the motor. The tool plate rotates for a while after the motor stops. Much of the dust can blow off into the air and the surface can be damaged.



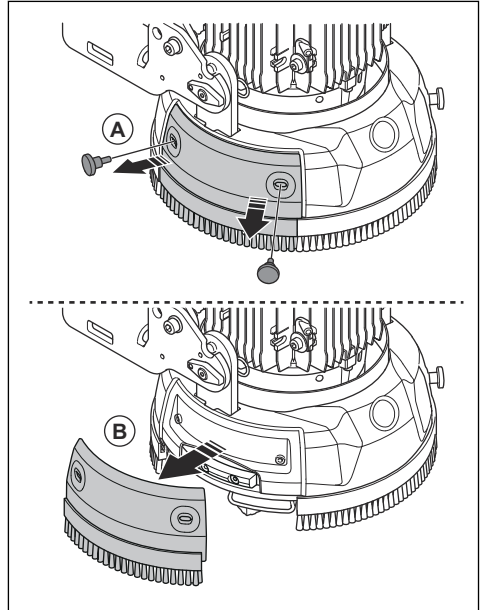
CAUTION: If you grind adhesive asphalt, paint or equivalent material, lift up the front of the product slightly when the tool

plate stops. The product can attach to the adhesive surface if it is not lifted.

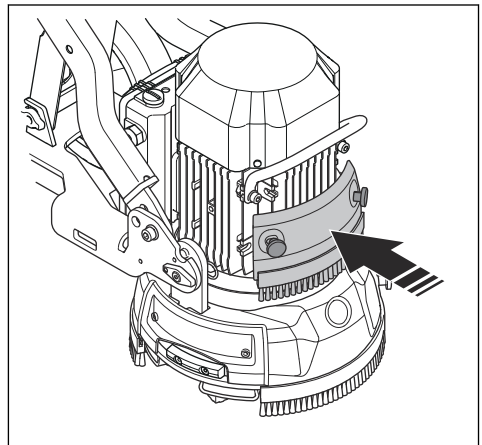
- Set the ON/OFF switch to 0 to stop the motor. Refer to *ON/OFF switch on page 8*.
- Keep the tool plate against the surface. Make sure that the tool plate does not rotate before you lift up the front.
- Pull out the power plug.

To grind at an edge PG 280

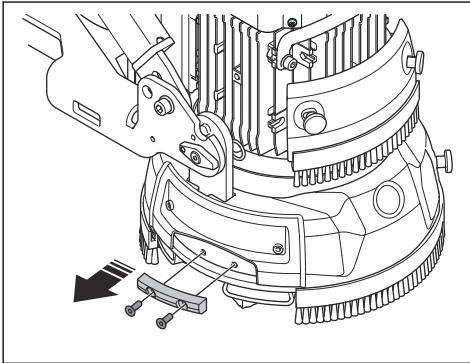
- Remove the screws (A) and the hatch (B).



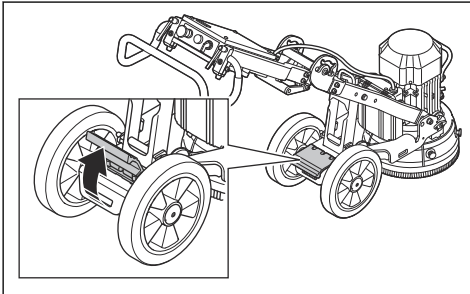
- Attach the hatch onto the holder.



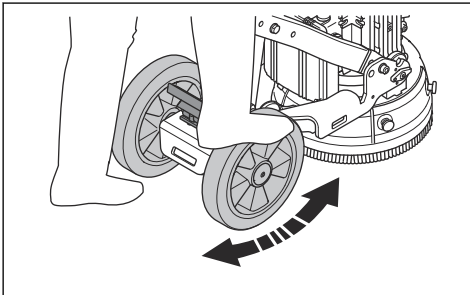
3. A guard behind the hatch prevents damage to the wall. Remove the 2 screws and the guard if it is necessary to grind near the wall.



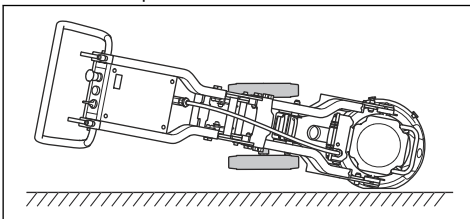
4. Lift the foot pedal.



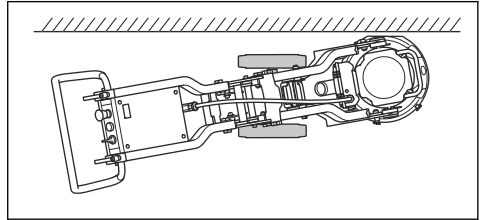
5. Use your foot to give the wheels the right angle.



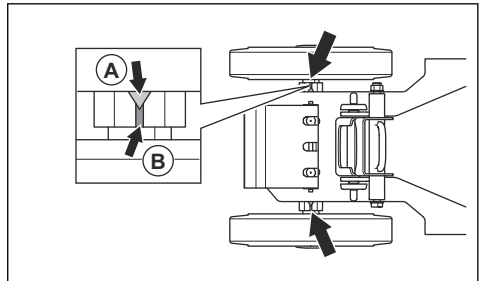
6. If it is necessary to grind on the right side, the wheels must point in the left direction.



7. If it is necessary to grind on the left side, the wheels must point in right direction.



8. For straight wheel direction, align the red mark on the wheel axle (A) with the red mark on the frame (B).



To replace the diamond tools



WARNING: Disconnect the power plug.



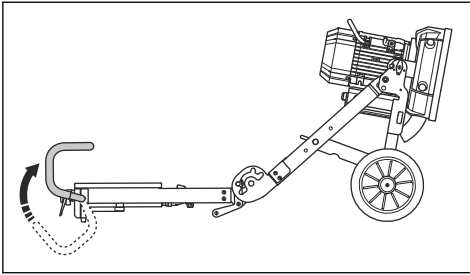
WARNING: Diamond tools can become very hot. Use protective gloves.

1. Set the ON/OFF switch to 0 and disconnect the power plug to stop the product. Refer to *To stop the product on page 13*.
2. Push the emergency stop button.
3. Put the product in servicing position.

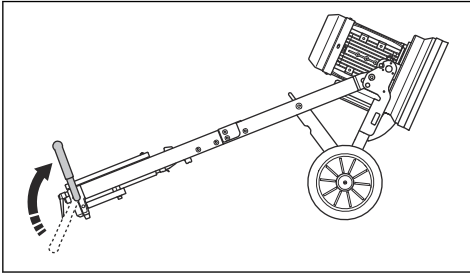


CAUTION: Only put the product in the servicing position on a horizontal surface.

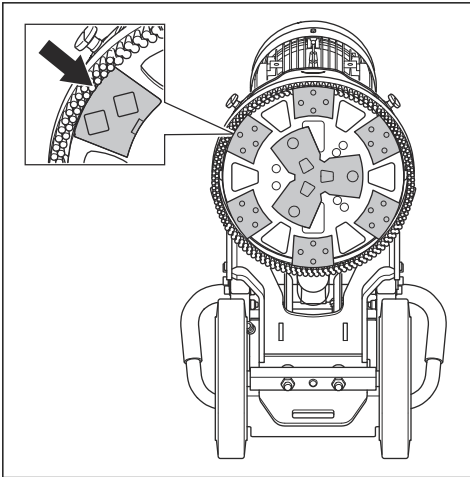
a) For PG 280



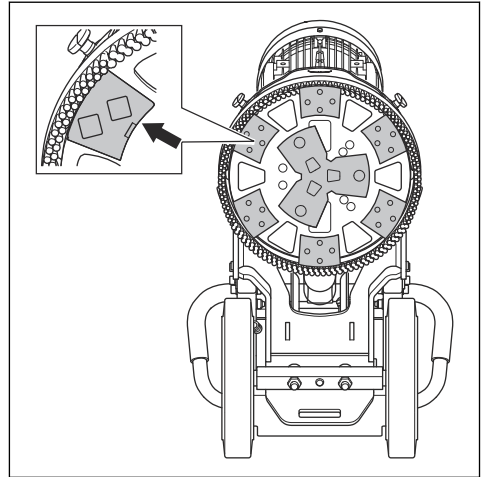
b) For PG 280 S



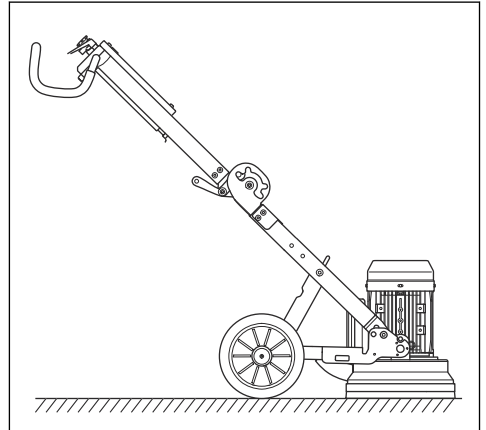
4. Use a hammer to remove the diamond tools.



5. Attach new diamond tools on the tool plate.



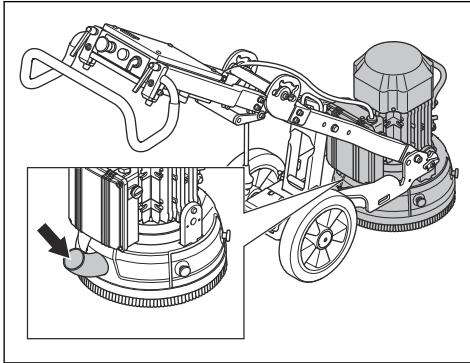
6. Put the product in operation position.



To connect a dust extractor

Use a Husqvarna dust extractor system.

1. Connect the dust extractor to the product. Use a 50 mm (2 inch) hose.



2. Make sure that the filters in the dust extractor are clean and not damaged. Monitor the dust during the operation.

Maintenance

Introduction



WARNING: Before you do maintenance, you must read and understand the safety chapter.

For all servicing and repair work on the product, special training is necessary. We guarantee the availability of professional repairs and servicing. If your dealer is not a service agent, speak to them for information about the nearest service agent.

For more detailed information, refer to www.husqvarnacp.com.

Daily maintenance

Daily maintenance means that you clean the product. Also that you do a check of the electrical supply, the brush strip and the grind holder.

To clean the product



CAUTION: A blocked air intake decreases the performance of the product and can cause the motor to become too hot.

- Always pull out the plug from the mains outlet before you clean, do maintenance or assemble the product.
- Always clean all the equipment at the end of the work day. Do not use a high pressure washer to clean the product.
- Always do the maintenance on level ground.
- Remove blockage from all air openings. The product must always have sufficiently cool temperature.

To do a check of the electrical supply



WARNING: Do not use damaged cables. A damaged cable can cause serious injury or death.

- Make sure that the power cord and extension cable are not damaged and in good condition.
- Do not use the product if the power cord is damaged. Let an approved service center repair the product.

To do a check of the brush strip

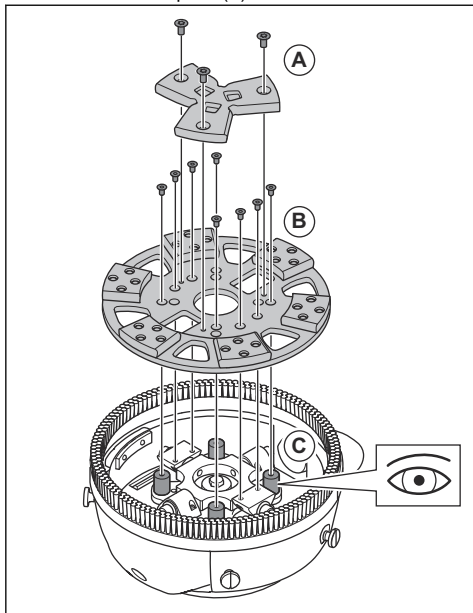
- Make sure that the brush strip is full.
- Make sure that the brush strip touches the surface.

To do a check of the grind holder



CAUTION: The condition of the grind holder is important for the performance and the safety.

1. Remove the tool plate (A).



2. Examine the grind holder for damages and the wear of the rubber cylinders (B).
3. Replace the rubber cylinders if it is necessary.

Troubleshooting

The product does not start

- Make sure that the power supply and the power cords are not damaged.
- Examine the emergency stop button, turn the button clockwise to release the emergency stop.
- Examine the overload lamp. If the overload lamp is on, let the motor cool down for some minutes until the product is automatically reset.

The product is not easy to hold on to

- Too small number of diamond tools are installed on the product.
- The selected type of diamond tool is not correct for the surface.
- High current is used by the motor for the operation.
- Use the number of diamond tools that is recommended to decrease the force on the product and the operator. Refer to *Metal bond diamond segments on page 11*.

The product has sudden movements

- Make sure that all diamond tools are installed correctly and that all have the same height.

The product suddenly stops

- If the product overloads, the overload protection engages and stops the motor.
- Push the overload protection to reset the product. The product must cool down before you can restart it with the ON/OFF switch.
- Make sure that the extension cables are not too long.

The product stops during startup

Correct voltage supply is necessary for a good motor performance. Too long extension cables and/or a too small gage decreases the power of the motor during operation.

- If overload of the motor occurs, push the overload protection. If this does not help, speak to an approved servicing dealer.
- Make sure that the extension cables are not too long.
- If the motor overloads, the overload lamp comes on. Wait for 2 minutes and try again. When this does not help, speak to an approved servicing workshop.

Transportation and storage

Transportation of the product

- Safely attach the product during transport to prevent damages and accidents.
- Put some type of protection on the product during transportation. The protection keeps natural elements such as rain and snow away from the product.
- The product can be divided into 2 components. This makes the transportation easier.
- Always use the lifting eye that is attached to the product when you lift and move the product.

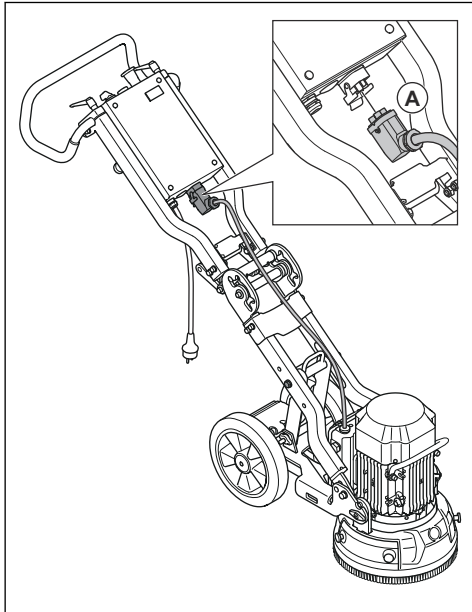
To set the product in transport position PG 280

Put some type of protection on the product during transportation. The protection keeps natural elements such as rain and snow away from the product.

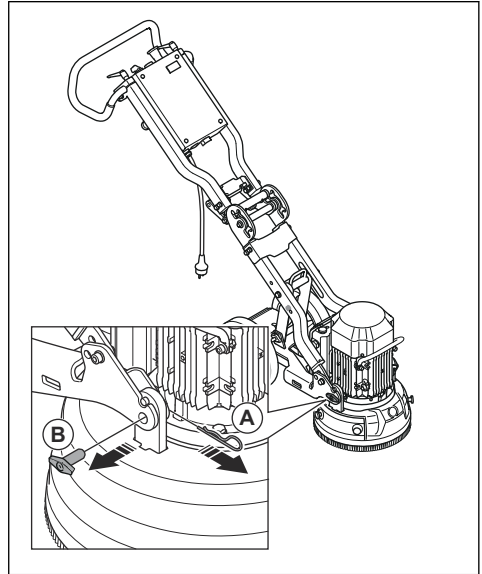
The product can be divided into 2 components. This makes the transportation easier.

Always move the product with the lifting eye and the handlebar.

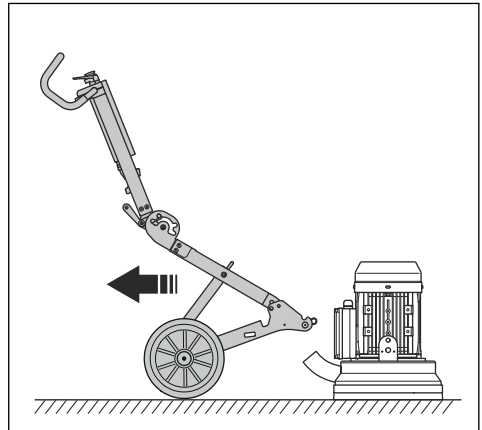
1. Disconnect the motor cable from the electric enclosure (A).



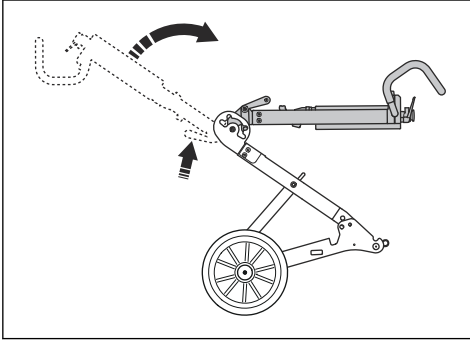
2. Pull out the lock pins (A) and remove the lock bolts (B) on each side of the grinding head.



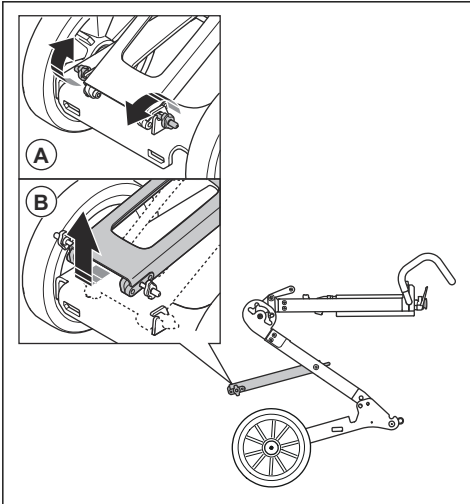
3. Remove the wheel chassis from the grinding head.



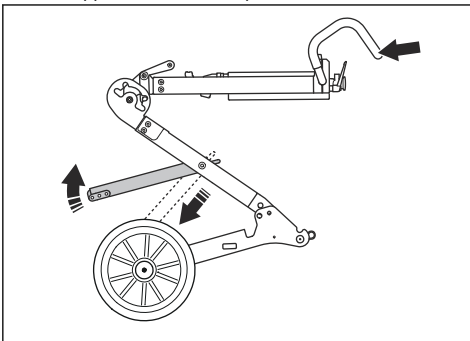
4. Push the handle on the central hinge and at the same time fold the top frame forward. The product is in the lift position.



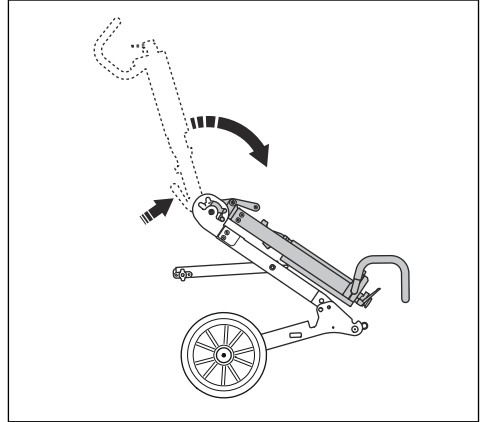
5. Remove the lock knobs (A) to loosen the support foot (B).



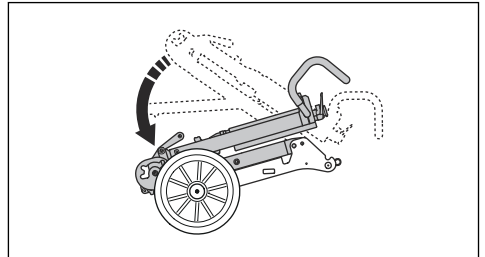
6. Hold the handlebar to keep the frame stable and lift the support foot out and up.



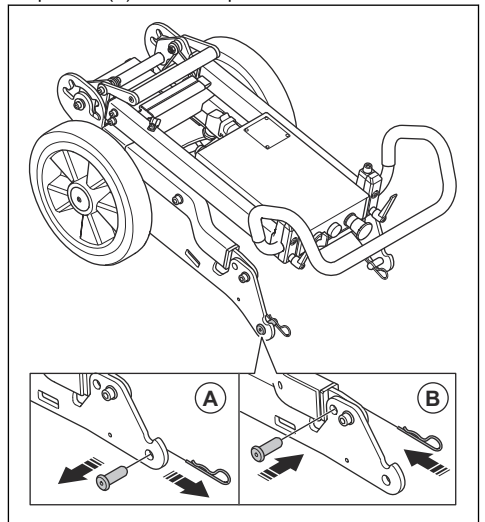
7. Hold the handlebar with one hand and push the handle on the central hinge. This folds the product into the folded position.

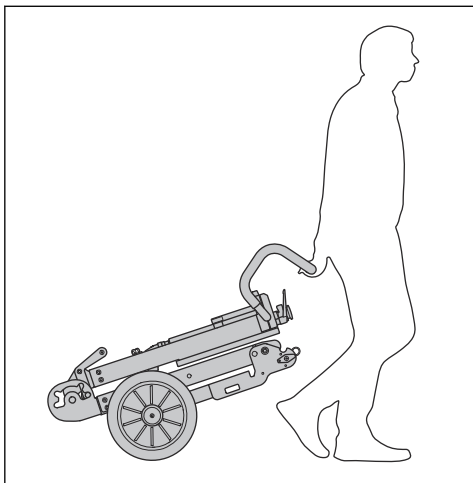


8. Fold the product carefully.



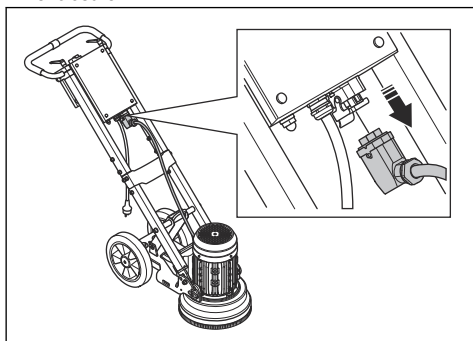
9. Move the lock pin and lock bolt from position (A) to position (B) to lock the product.



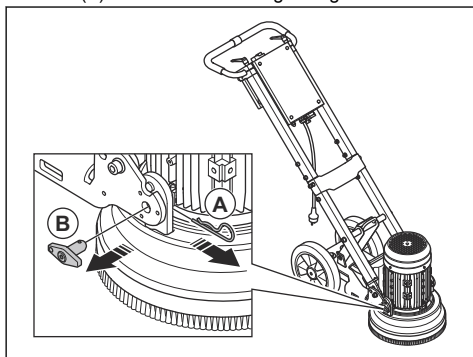


To set the product in transport position PG 280 S

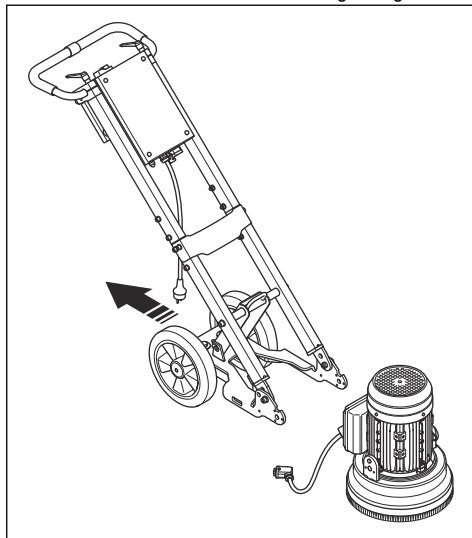
1. Disconnect the motor cable from the electric enclosure.



2. Pull out the locking pins (A) and remove the lock bolts (B) on each side of the grinding head.

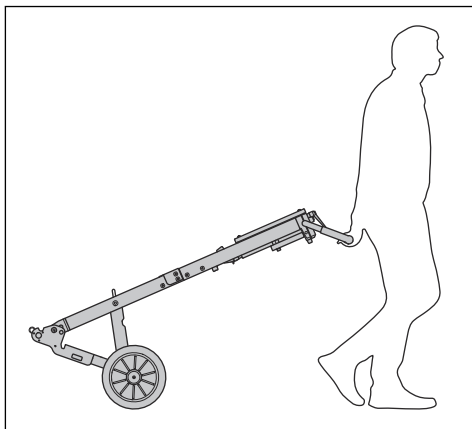
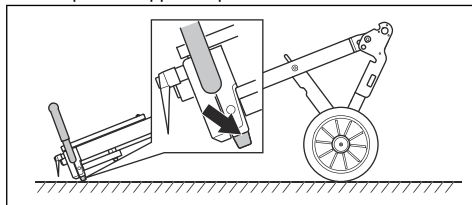


3. Remove the wheel chassis from the grinding head.



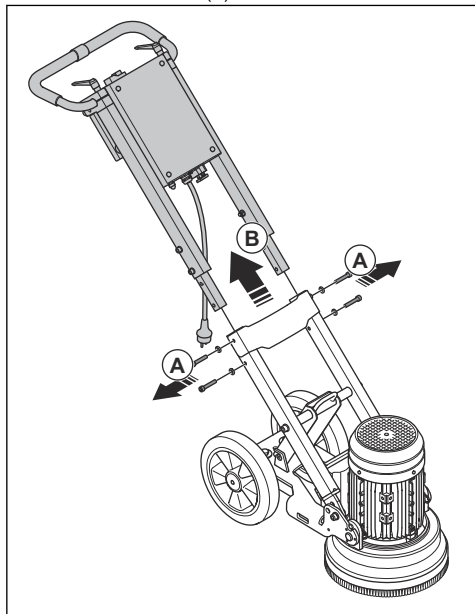
CAUTION: Do not let go of the frame, it will fall down.

4. Put down the frame on the floor with the rubber bumper as support to prevent it from falling down.



To disassemble the frame PG 280 S

1. Remove the screws (A) on the frame.

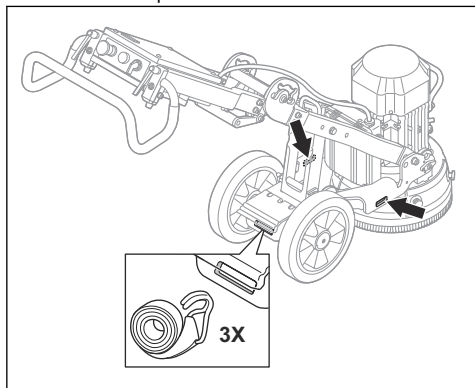


2. Pull out the frame (B).

To attach the product to a vehicle for transportation

Attach the product during transportation in order to prevent accidents and damage to the equipment. The product has holes that are used with straps to attach the product to the vehicle.

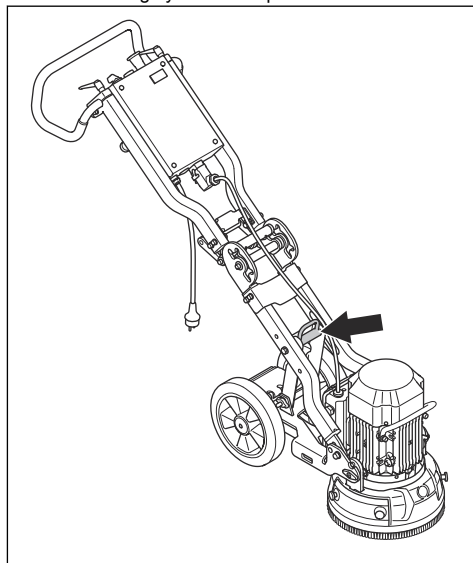
1. Attach the strap into the holes.



2. Attach and tighten the strap to the vehicle.

To lift the product

1. Use the lifting eye to lift the product.



2. Make sure that the product is balanced when you lift it. Let a bystander help you when you lift the product.

Storage of the product

- Storage of the product must be indoors only.
- Keep the product in a locked area to prevent access for children or persons that are not approved.
- Keep the product in a dry and frost free area.

Technical data

Technical data

PG 280	Single-phase, 220-240V			Single-phase, 100-120V	
	50 Hz	50 Hz	60 Hz	50 Hz	60 Hz
Motor	50 Hz	50 Hz	60 Hz	50 Hz	60 Hz
Motor power, kW	2.2	1.6	2.2	1.1	1.1
Rated current, A	13.4	9	13	14	13.4
Rated voltage, V	220-240	220-240	220-240	100-120	100-120
Weight, kg	73	71	73	73	75
Grinding width, mm	280	280	280	280	280
Grinding pressure, kg	23	25	25	25	25
The speed that the tool plate rotates, rpm	1410	1450	1730	940	1150

Technical data

PG 280 S	Single-phase, 220-240V	
	50 Hz	60 Hz
Motor	50 Hz	60 Hz
Motor power, kW	2.2	2.2
Rated current, A	12.5	11.4
Rated voltage, V	220-240	220-240
Weight, kg	77	77
Grinding width, mm	280	280
Grinding pressure, kg	25	25
The speed that the tool plate rotates, rpm	1446	1759

Sound levels

Item	Unit	Value
Noise emissions ¹		

¹ Noise emission in the environment measured as sound power according to EN 60335-2-72. Expected measurement uncertainty 2.5 dB(A).

Item	Unit	Value
Sound power level L_{WA} (measured)	dB (A)	90
Sound levels ²		
Sound pressure level at the operators ear	dB (A)	74.1
Vibration levels ³		
Handle right	m/s^2	2.39
Handle left	m/s^2	2.72

² Sound pressure level according to EN 60335-2-72. Expected measurement uncertainty 4 dB(A).

³ Vibration level according to EN 60335-2-72. Reported data for vibration level has a typical statistical dispersion (standard deviation) of $1 m/s^2$

Declaration of Conformity

EC Declaration of Conformity

We Husqvarna AB, SE-561 82 Huskvarna, Sweden, tel:
+46- 36-146500, declares on our sole responsibility that
the product:

Description	Polish & Grind Equipment
Brand	Husqvarna
Type/Model	PG 280 S, PG 280
Identification	Serial numbers dating from 2022 and onwards

complies fully with the following EU directives and
regulations:

Directive/Regulation	Description
2006/42/EC	"relating to machinery"
2014/30/EU	"relating to electromagnetic compatibility"
2011/65/EU	"relating to restriction of hazardous substances"

and that harmonized standards and/or technical
specifications are applied as follows;



EN ISO 12100:2010

EN 60335-2-72:2012

EN 55014-1:2017

EN 55014-1:2021

EN 60335-1:2012+A11:2014+A13:2017

EN IEC 63000:2018

Partille, 2022-10-11

A handwritten signature in black ink, appearing to read 'Martin Huber', with a long horizontal stroke extending to the right.

Martin Huber

R&D Director, Concrete Surfaces & Floors

Husqvarna AB, Construction Division

Responsible for technical documentation

UK Declaration of Conformity

We Husqvarna AB, SE-561 82 Huskvarna, Sweden, tel:
+46- 36-146500, declares on our sole responsibility that
the product:

Description	Polish & Grind Equipment
Brand	Husqvarna
Type/Model	PG 280 S, PG 280
Identification	Serial numbers dating from 2022 and onwards

complies fully with the following EU directives and
regulations:

Regulations
The Supply of Machinery (Safety) Regulations 2008
Electromagnetic Compatibility Regulations 2016
The Restriction of the Use of Certain Hazardous Substances in Electrical and Electronic Equipment Regulations 2012

and that harmonized standards and/or technical
specifications are applied as follows;

EN ISO 12100:2010

EN 60335-2-72:2012

EN 55014-1:2017

EN 55014-1:2021

EN 60335-1:2012+A11:2014+A13:2017

EN IEC 63000:2018

Partille, 2019-02-07

UK Importer:
Husqvarna UK Ltd
Preston Road, Co. Durham
DL5 6UP



Martin Huber

R&D Director, Concrete Surfaces & Floors

Husqvarna AB, Construction Division

Responsible for technical documentation

**UK
CA**

Inhalt

Einleitung.....	26	Fehlerbehebung.....	42
Sicherheit.....	30	Transport und Lagerung.....	43
Betrieb.....	34	Technische Angaben.....	47
Wartung.....	41	Konformitätserklärung.....	49

Einleitung

Gerätebeschreibung

Das Gerät ist eine Hochleistungsschleifmaschine für Betonoberflächen unterschiedlicher Härte. Der Schleifbereich reicht von rauen bis hin zu glatteren Oberflächen.

Das Gerät bietet unter anderem folgende Funktionen:

- Eine Schleifkopfabdeckung, die Bewegungen der Oberflächenschicht anpasst.

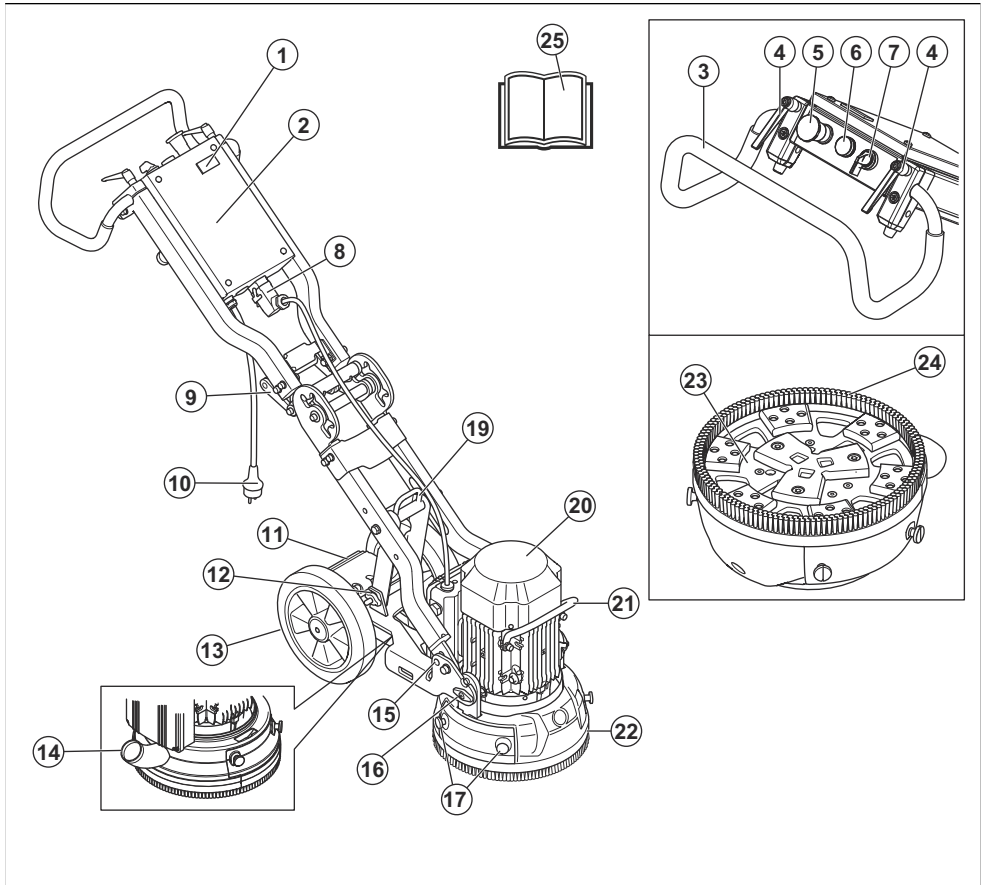
- Ein Schleifbereich von 280 mm.

Verwendungszweck

Das Gerät wird zum Schleifen von Beton und anderen Arten von Hartböden verwendet. Verwenden Sie das Gerät nur auf trockenen Flächen.

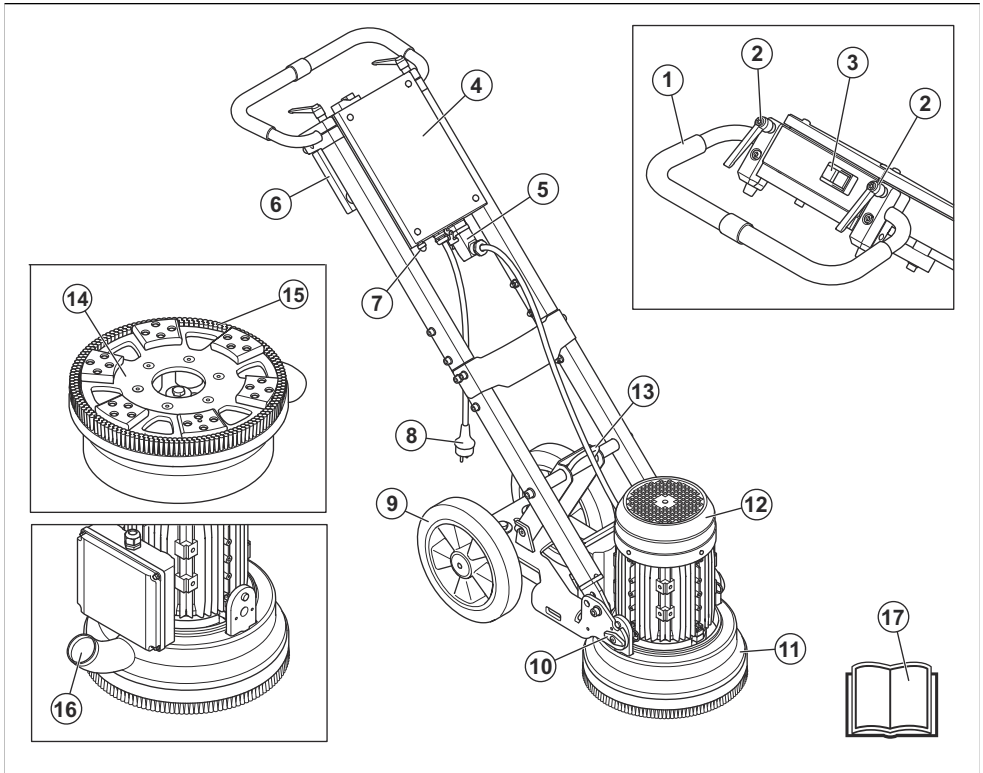
Das Gerät ist für den gewerblichen Betrieb und für professionelle Bediener vorgesehen. Verwenden Sie das Gerät nicht für andere Aufgaben.

Geräteübersicht PG 280



- | | |
|---|--|
| 1. Betriebsstundenzähler | 14. Anschluss, Vakuumschlauch |
| 2. Schaltkasten | 15. Sperrfunktion |
| 3. Griff/Lenker | 16. Schlossschraube zum Befestigen des Motor-/Schleifkopfs |
| 4. Sperrhebel für die Einstellung des Lenkers | 17. Schrauben für die Abdeckung zum Kantenschleifen |
| 5. Not-Aus-Taste | 18. Abdeckung zum Kantenschleifen |
| 6. Überlastlampe | 19. Hebeöse |
| 7. ON/OFF-Schalter | 20. Elektromotor |
| 8. Anschluss für Motorkabel | 21. Hubgriff, Motor |
| 9. Handgriff für Winkelanschluss | 22. Schleifkopfabdeckung |
| 10. Netzstecker | 23. Werkzeugplatte |
| 11. Fußpedal | 24. Bürstenstreifen |
| 12. Feststellknopf | 25. Bedienungsanleitung |
| 13. Gummiräder | |

Geräteübersicht PG 280 S



1. Griff/Lenker
2. Sperrhebel für die Einstellung des Lenkers
3. ON/OFF-Schalter
4. Schaltkasten
5. Anschluss für Motorkabel
6. Gegengewicht
7. Überlastlampe
8. Netzstecker
9. Gummiräder
10. Schlossschraube zum Befestigen des Motor-/Schleifkopfs
11. Schleifkopfabdeckung
12. Elektromotor
13. Hebeöse
14. Werkzeugplatte
15. Bürstenstreifen
16. Anschluss, Vakuumschlauch
17. Bedienungsanleitung

Symbole auf dem Gerät



WARNUNG: Dieses Gerät kann gefährlich sein und schwere oder tödliche Verletzungen des Bedieners oder anderer Personen verursachen. Gehen Sie vorsichtig vor, und verwenden Sie das Gerät ordnungsgemäß.



Lesen Sie die Bedienungsanleitung sorgfältig durch, und machen Sie sich mit den Anweisungen vertraut, bevor Sie das Gerät verwenden.



Tragen Sie Gehörschutz, Augenschutz und Atemschutz. Siehe *Persönliche Schutzausrüstung* auf Seite 31.



Der Staub kann zu gesundheitlichen Problemen führen. Tragen Sie einen zugelassenen Atemschutz. Sorgen Sie immer für eine gute Luftzirkulation.



Dieses Gerät entspricht den geltenden EU-Richtlinien.



Dieses Gerät entspricht den geltenden UK-Richtlinien.



Dieses Gerät stimmt mit den geltenden Richtlinien der eurasischen Zollunion überein.



RoHS-Symbol für China für den Zeitraum, in dem die umweltfreundliche Nutzung gegeben ist (EUFPP).



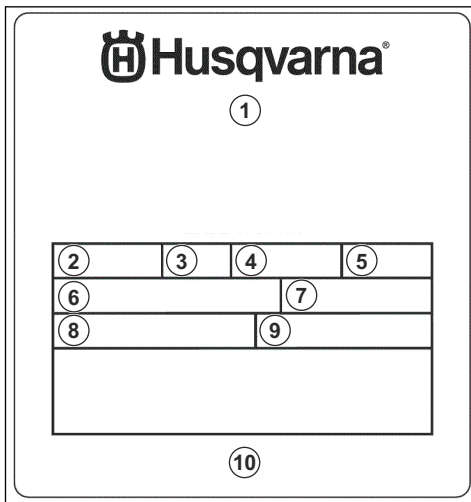
Geräuschemissionen an die Umwelt gemäß EU- und UK-Richtlinien und -Vorschriften. Der garantierte Schalleistungspegel des Geräts ist unter *Technische Angaben auf Seite 47* sowie auf dem Etikett angegeben.



Das Gerät ist kein Hausmüll. Recyceln Sie es an einer offiziellen Recyclingstation für elektrische und elektronische Geräte.

Hinweis: Sonstige Symbole/Aufkleber auf dem Gerät beziehen sich auf spezielle Zertifizierungsanforderungen, die in bestimmten Ländern gelten.

Typenschild



1. Modell
2. Nennspannung, V
3. Nennstrom, A
4. Ausgangsleistung, kW
5. Motor, Hz
6. Schleiffläche, mm
7. Gewicht, kg
8. Herstellungsjahr und Seriennummer
9. Produktionsnummer
10. Herstelleradresse

Produktschäden

Wir haften nicht für Schäden an unserem Produkt, wenn:

- das Gerät nicht ordnungsgemäß repariert wird.
- das Gerät mit Teilen repariert wird, die nicht vom Hersteller stammen oder nicht vom Hersteller zugelassen sind.
- ein Zubehörteil mit dem Gerät verwendet wird, das nicht vom Hersteller stammt oder nicht vom Hersteller zugelassen ist.
- das Gerät nicht bei einem zugelassenen Service Center oder von einem zugelassenen Fachmann repariert wird.

Sicherheit

Sicherheitsdefinitionen

Warnungen, Vorsichtsmaßnahmen und Hinweise werden verwendet, um auf besonders wichtige Teile der Bedienungsanleitung hinzuweisen.



WARNUNG: Wird verwendet, wenn bei Nichtbeachtung der Anweisungen in diesem Handbuch die Gefahr von Verletzung oder Tod des Bedieners oder anderer Personen besteht.



ACHTUNG: Wird verwendet, wenn bei Nichtbeachtung der Anweisungen in diesem Handbuch die Gefahr von Schäden am Gerät, an anderen Materialien oder in der Umgebung besteht.

Hinweis: Für weitere Informationen, die in bestimmten Situationen nötig sind.

Allgemeine Sicherheitshinweise



WARNUNG: Lesen Sie die folgenden Warnhinweise, bevor Sie das Gerät benutzen. Bewahren Sie alle Warnhinweise und Anweisungen auf. Schlagen Sie, falls erforderlich, bei zukünftigen Arbeiten die Warnungen und Anweisungen nach.

- Der Sicherheitsabschnitt enthält grundlegende Anweisungen zur korrekten Verwendung des Geräts. Diese Informationen können natürlich in keiner Weise die Ausbildung und langjährige Erfahrung eines Fachmanns ersetzen. Wenn Sie sich in einer Situation befinden, in der Sie sich nicht sicher fühlen, brechen Sie die Arbeiten ab und holen professionelle Rat ein. Wenden Sie sich an Ihren Händler, den Kundendienst oder einen erfahrenen Anwender. Gehen Sie keine Aufgaben an, denen Sie sich nicht gewachsen fühlen!
- Sorgen Sie für einen sauberen und hellen Arbeitsbereich, da dies das Unfallrisiko verringert.

Sicherheitshinweise für den Betrieb



WARNUNG: Lesen Sie die folgenden Warnhinweise, bevor Sie das Gerät verwenden. Bewahren Sie alle Warnhinweise und Anweisungen zum Nachschlagen für zukünftige Arbeiten auf.



WARNUNG: Eine übermäßige Belastung durch Vibrationen kann bei Personen mit verminderter Durchblutung Kreislauf- oder Nervenschäden verursachen. Suchen Sie einen Arzt auf, wenn Sie an Ihrem Körper Symptome feststellen, die darauf hinweisen, dass Sie zu starken Vibrationen ausgesetzt waren. Zu diesen Symptomen zählen beispielsweise Einschlafen von Körperteilen, Gefühlsverlust, Kitzeln, Stechen, Schmerz, Verlust oder Beeinträchtigung der normalen Körperkraft, Veränderungen der Hautfarbe oder der Hautbeschaffenheit. Diese Beschwerden treten normalerweise in den Fingern, Händen und Handgelenken auf.

- Verwenden Sie das Gerät nur für Arbeiten, die in dieser Betriebsanleitung aufgeführt sind. Siehe *Verwendungszweck auf Seite 26*.
- Tragen Sie eine persönliche Schutzausrüstung. Siehe *Persönliche Schutzausrüstung auf Seite 31*.
- Entfernen Sie sich nicht vom Gerät, wenn der Motor eingeschaltet ist.
- Schließen Sie das Motorkabel an den Schaltkasten an, bevor Sie den Stecker einstecken.
- Lassen Sie niemanden das Gerät verwenden, der nicht zuvor diese Betriebsanleitung gelesen und verstanden hat.
- Starten Sie das Gerät immer mit befestigtem Bürstenstreifen. Der Bürstenstreifen muss dicht mit der Oberfläche abschließen, insbesondere, wenn trockene Oberflächen bearbeitet werden.
- Stellen Sie sicher, dass der Bürstenstreifen unbeschädigt und sauber ist. Ersetzen Sie den Bürstenstreifen bei Beschädigung.
- Wenn Sie den Motor abstellen, fahren Sie mit dem Schleifen fort, bis der Lüfter vollständig zum Stillstand kommt.
- Heben Sie den Schleifkopf an, wenn eine Überprüfung des Startvorgangs erforderlich ist. Bringen Sie während der Prüfung keine Diamantwerkzeuge an.
- Starten Sie das Gerät nur, wenn der Schleifkopf auf der Oberfläche aufliegt.
- Verwenden Sie das Gerät nicht in Bereichen, in denen Feuer oder Explosionen auftreten können.
- Zerlegen Sie das Diamantwerkzeug nach jedem Schleifprozess.
- Vergewissern Sie sich, dass die Werkzeugplatte nicht rotiert, wenn Sie das Gerät anheben. Nach Ausschalten des Motors dreht sich die Werkzeugplatte noch eine Zeit lang weiter.
- Tragen Sie stets Schutzhandschuhe, und lassen Sie das Gerät abkühlen, wenn Sie Diamantwerkzeuge

ausbauen. Diamantwerkzeuge sind sehr heiß direkt nach dem Gebrauch.

- Verbinden Sie das Gerät in jedem Fall mit einer Absauganlage, um den Staub zu entfernen.
- Stellen Sie sicher, dass das Gerät korrekt zusammengebaut ist.
- Verwenden Sie die Huböse, um das Gerät anzuheben.
- Verwenden Sie das Gerät nicht, wenn es Zeichen von Beschädigung aufweist.
- Starten Sie das Gerät nur dann, wenn der Schleifkopf die Oberfläche berührt, es sei denn, Sie kontrollieren den EIN/AUS-Schalter.
- Bedienen Sie das Gerät stets von hinten, und halten Sie beide Hände am Lenker.
- Verwenden Sie das Gerät nicht, ohne vorher dafür geschult worden zu sein und Erfahrung im Umgang gesammelt zu haben. Stellen Sie sicher, dass alle Bediener Schulungen erhalten.
- Erlauben Sie nicht, dass Personen ohne Kenntnis der Anweisungen das Gerät bedienen.
- Stellen Sie sicher, dass Personen mit verminderter physischer oder psychischer Leistungsfähigkeit dieses Gerät nicht unbeaufsichtigt verwenden. Es muss immer ein verantwortlicher Erwachsener anwesend sein.
- Sorgen Sie dafür, dass sich keine Unbefugten im Arbeitsbereich aufhalten, da andernfalls die Gefahr schwerer Verletzungen besteht.
- Achten Sie darauf, dass sich Kleidung, langes Haar und Schmuck nicht in beweglichen Teilen verfangen können.
- Stellen Sie sicher, dass Sie während der Arbeit eine sichere und stabile Position einnehmen.
- Plötzliches Erscheinen von Personen und Tieren kann das sichere Arbeiten mit dem Gerät verhindern. Arbeiten Sie mit dem Gerät immer vorsichtig und seien Sie jederzeit darauf vorbereitet, es anzuhalten, wenn es nötig sein sollte.
- Lassen Sie nicht zu, dass Kinder das Gerät verwenden.
- Lassen Sie keine Kinder mit dem Gerät spielen.
- Stellen Sie sicher, dass immer eine weitere Person in der Nähe ist, wenn Sie das Gerät verwenden. So können Sie bei einem Unfall gegebenenfalls Hilfe erhalten.
- Arbeiten Sie nicht mit dem Gerät, wenn Sie müde oder krank sind oder Alkohol, Drogen oder Medikamente zu sich genommen haben. Sehkraft, Urteils- oder Koordinationsvermögen können andernfalls beeinträchtigt werden.
- Verwenden Sie kein Gerät, das modifiziert wurde und nicht mehr den Werkspezifikationen entspricht.
- Verwenden Sie immer zugelassenes Zubehör. Ihr Händler steht Ihnen gern für weitere Informationen zur Verfügung.

Persönliche Schutzausrüstung



WARNUNG: Lesen Sie die folgenden Warnhinweise, bevor Sie das Gerät benutzen.

- Verwenden Sie immer geeignete persönliche Schutzausrüstung bei der Benutzung des Geräts. Das Tragen persönlicher Schutzausrüstung schließt das Risiko von Verletzungen nicht aus. Das Tragen persönlicher Schutzausrüstung verringert das Ausmaß der Verletzungen bei einem Unfall. Lassen Sie sich von Ihrem Händler bei der Auswahl der richtigen Ausrüstung unterstützen.
- Tragen Sie einen zugelassenen Augenschutz beim Arbeiten mit dem Gerät.
- Tragen Sie keine lose, schwere und ungeeignete Kleidung. Tragen Sie Kleidung, in der Sie sich ungehindert bewegen können.
- Verwenden Sie zugelassene Schutzhandschuhe, die einen festen Griff ermöglichen.
- Tragen Sie Schutzhandschuhe aus Gummi, um Hautreizungen durch feuchten Beton vorzubeugen.
- Verwenden Sie einen zugelassenen Schutzhelm.
- Tragen Sie stets einen zugelassenen Gehörschutz beim Arbeiten mit dem Gerät. Lärmbelastung über einen längeren Zeitraum kann zu lärmbedingten Hörschäden führen.
- Das Gerät erzeugt Staub und Dämpfe, die gefährliche Chemikalien enthalten. Verwenden Sie einen zugelassenen Atemschutz.
- Tragen Sie Stiefel mit Stahlkappen und rutschfesten Sohlen.
- Vergewissern Sie sich, dass Sie einen Erste-Hilfe-Kasten griffbereit haben.
- Beim Arbeiten mit dem Gerät können Funken entstehen. Vergewissern Sie sich, dass Sie einen Feuerlöscher griffbereit haben.

Elektrische Sicherheit



WARNUNG: Bei elektrisch angetriebenen Geräten besteht immer die Gefahr von elektrischen Schlägen. Verwenden Sie das Gerät nicht bei schlechtem Wetter. Berühren Sie keine Blitzableiter und Metallgegenstände. Verwenden Sie das Gerät immer gemäß den in diesem Betriebshandbuch hinterlegten Anweisungen, um Verletzungen zu vermeiden.



ACHTUNG: Das Gerät erfüllt die Anforderungen nach EN 61000-3-11 und kann unter bestimmten Bedingungen an das Netz angeschlossen werden. Sprechen Sie mit dem Energieversorgungsunternehmen,

um Anweisungen zum Anschließen des Geräts zu erhalten.

Schließen Sie das Gerät nur an ein Stromnetz mit einem Widerstand von weniger als 0,28 Ω an. Erfragen Sie beim Energieversorgungsunternehmen den Schnittstellenpunkt des Systemwiderstands.

Wenn das Stromnetz einen höheren Systemwiderstand aufweist, kann beim Starten des Geräts die Spannung kurzzeitig abfallen. Dies kann den Betrieb anderer Geräte beeinflussen, z. B. ein Flackern des Lichts verursachen.

Servicewerkstatt. Beachten Sie die vor Ort geltenden Vorschriften und Gesetze.

Wenden Sie sich an einen qualifizierten Elektriker, wenn Sie die Anweisungen hinsichtlich des geerdeten Geräts nicht vollständig verstehen.

Verwenden Sie nur geerdete Verlängerungskabel für den Außenbereich mit Erdungssteckern und einer Erdungssteckdose, die für den Netzstecker des Geräts geeignet ist.

Das Gerät verfügt über ein geerdetes Netzkabel und einen Netzstecker. Schließen Sie das Gerät immer an eine geerdete Steckdose an. Dadurch wird das Risiko von Stromschlägen verringert.

Verwenden Sie keine elektrischen Adapter am Gerät.

Verlängerungskabel

- Verwenden Sie nur zugelassene Verlängerungskabel mit ausreichender Länge.
- Der Nennwert auf dem Verlängerungskabel muss dem auf dem Typenschild des Geräts angegebenen Wert entsprechen oder höher sein.
- Verwenden Sie Schuko-Verlängerungskabel.
- Wenn Sie das Gerät im Freien benutzen, verwenden Sie ein für den Außeneinsatz geeignetes Verlängerungskabel. Dadurch wird das Risiko von Stromschlägen verringert.
- Achten Sie darauf, dass die Verbindung mit dem Verlängerungskabel trocken ist und keinen Bodenkontakt hat.
- Halten Sie das Verlängerungskabel fern von Hitzequellen, Öl, scharfen Kanten und beweglichen Teilen. Ein beschädigtes Kabel erhöht das Risiko eines Stromschlags.
- Stellen Sie sicher, dass sich das Verlängerungskabel in einem guten Zustand befindet und unbeschädigt ist.
- Verwenden Sie das Verlängerungskabel nicht im aufgewickelten Zustand. Dies kann dazu führen, dass das Verlängerungskabel zu heiß wird.
- Vergewissern Sie sich, dass sich das Verlängerungskabel hinter Ihnen und dem Gerät befindet, wenn Sie mit dem Gerät arbeiten. Dadurch wird eine Beschädigung des Verlängerungskabels vermieden.

Sicherheitsvorrichtungen am Gerät



WARNUNG: Lesen Sie die folgenden Warnhinweise, bevor Sie das Gerät verwenden.

- Verwenden Sie kein Gerät mit Sicherheitsvorrichtungen, die beschädigt sind oder nicht ordnungsgemäß funktionieren.
- Führen Sie regelmäßig eine Überprüfung der Sicherheitsvorrichtungen durch. Wenn die

- Kontrollieren Sie, ob die Leistung, die Sicherung und die Netzspannung mit dem entsprechenden Spannungswert auf dem Typenschild des Geräts übereinstimmen.
- Schalten Sie das Gerät immer aus, bevor Sie den Netzstecker ziehen.
- Verwenden Sie dieses Gerät nicht, wenn Kabel oder Stecker beschädigt sind. Übergeben Sie es zur Reparatur an ein autorisiertes Kundendienstzentrum. Ein beschädigtes Kabel kann zu schweren und tödlichen Verletzungen führen.
- Verwenden Sie das Gerät nach Vorschrift. Verwenden Sie das Kabel nicht, um das Gerät zu verschieben, zu ziehen oder von der Netzspannung zu trennen. Ziehen Sie direkt am Stecker, nicht am Kabel.
- Betreiben Sie das Gerät nicht in einer Wassertiefe, in denen die Ausstattung des Geräts nass wird. Die Ausstattung kann beschädigt werden und das Gerät kann durch führende Spannung Verletzungen verursachen.
- Achten Sie darauf, dass nicht mehr Feuchtigkeit in das Gerät gelangt, als durch das Wassersystem eingespeist wird. Schützen Sie das Gerät vor Regen. Wasser, das in ein Elektrowerkzeug eindringt, erhöht das Risiko eines elektrischen Schlags.
- Achten Sie immer darauf, dass das Netzkabel getrennt ist, wenn Sie den Stecker des Motorkabels und des elektrischen Gehäuses ein- oder ausstecken.

Anweisungen für geerdete Geräte



WARNUNG: Ein falscher Anschluss kann zu einem Stromschlag führen. Wenden Sie sich an einen qualifizierten Elektriker, wenn Sie Zweifel daran haben, ob die Netzsteckdose richtig geerdet ist.

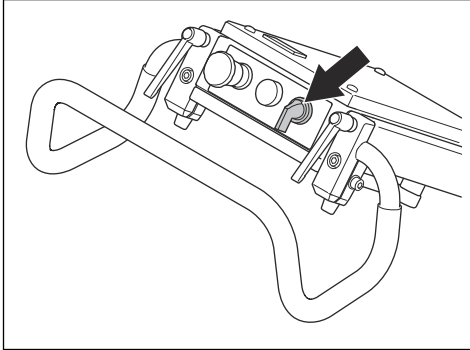
Nehmen Sie keine Modifikationen am Netzstecker vor. Dieser muss den Werksspezifikationen entsprechen. Wenn der Netzstecker oder das Netzkabel beschädigt ist oder ersetzt werden muss, wenden Sie sich an Ihre Husqvarna

Sicherheitsvorrichtungen beschädigt sind oder nicht ordnungsgemäß funktionieren, wenden Sie sich an den Kundendienst von Husqvarna.

- Führen Sie keine Änderungen an den Sicherheitsvorrichtungen durch.

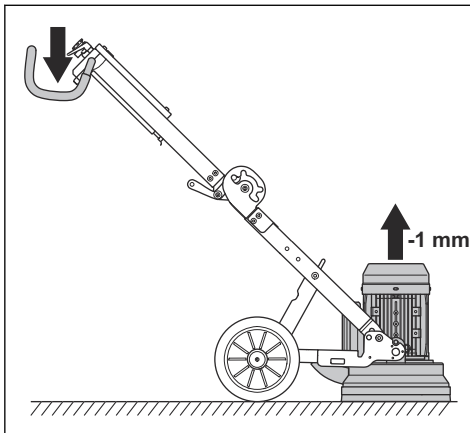
EIN/AUS-Schalter

Der EIN-/AUS-Schalter wird zum Starten und Abstellen des Motors verwendet.

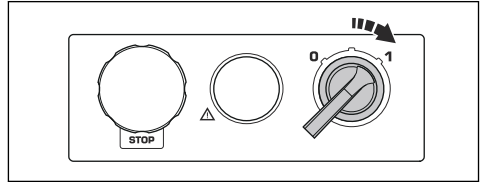


So prüfen Sie den EIN-/AUS-Schalter

1. Drücken Sie den Griff nach unten, um den Schleifkopf vom Boden anzuheben. Der Druck zwischen dem Schleifkopf und dem Boden nimmt ab.

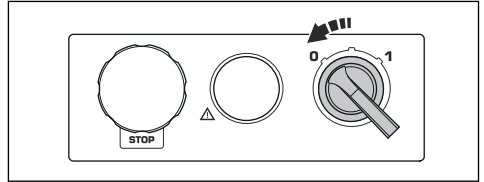


2. Schalten Sie den ON-/OFF-Schalter auf „1“, um das Gerät zu starten.



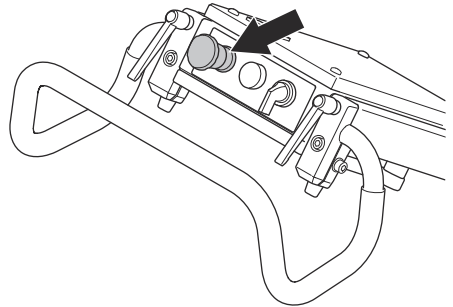
3. Warten Sie 5 Sekunden, damit das Gerät im Leerlauf betrieben wird.

4. Schalten Sie den ON-/OFF-Schalter auf „0“, um das Gerät zu stoppen.



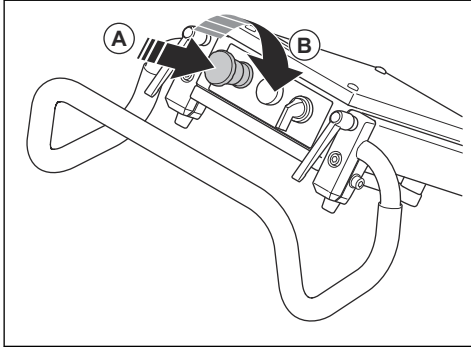
Notaus-Taste

Mit der Notaus-Taste kann der Motor schnell abgeschaltet werden. Mit der Notaus-Taste der Maschine können Sie die Stromzufuhr zur Maschine unterbrechen.



So prüfen Sie die Notaus-Taste

1. Drücken Sie die Notaus-Taste (A), und stellen Sie sicher, dass der Motor stoppt.



2. Drehen Sie die Notaus-Taste im Uhrzeigersinn (B), um sie zu lösen.

Sicherheitshinweise für die Wartung



WARNUNG: Lesen Sie die folgenden Warnhinweise, bevor Sie das

Gerät verwenden. Bewahren Sie alle Warnhinweise und Anweisungen zum Nachschlagen für zukünftige Arbeiten auf.

- Halten Sie alle Teile in einwandfreiem Zustand, und stellen Sie sicher, dass alle Befestigungsteile korrekt festgezogen sind.
- Verwenden Sie das Gerät nicht, wenn es beschädigt ist oder nicht ordnungsgemäß funktioniert. Führen Sie alle Sicherheitskontrollen, Wartungen und Servicemaßnahmen durch, die in dieser Bedienungsanleitung angegeben sind. Alle anderen Wartungsarbeiten müssen von einem autorisierten Servicehändler durchgeführt werden.
- Stoppen Sie das Gerät, und ziehen Sie den Netzstecker, wenn Sie die Diamantwerkzeuge austauschen. Stellen Sie den ON/OFF-Schalter auf „0“.
- Führen Sie die Inspektion und/oder Wartung bei stehendem Motor und gezogenem Netzstecker durch.
- Warten Sie das Gerät, um sicherzustellen, dass es ordnungsgemäß funktioniert. Siehe *Tägliche Wartung auf Seite 41*.

Betrieb

Einleitung

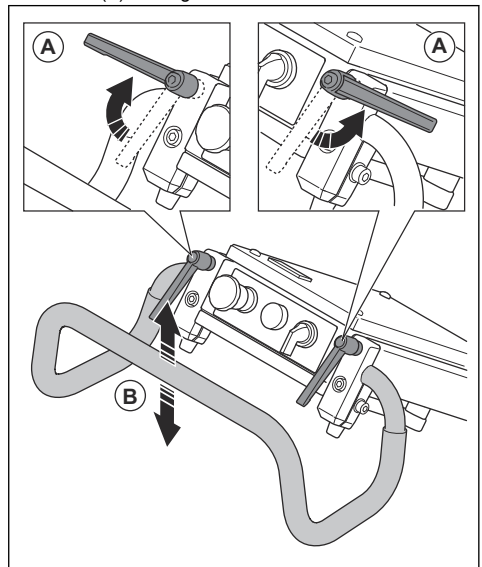


WARNUNG: Vor dem Betrieb des Gerätes müssen Sie die Sicherheitsinformationen lesen und verstehen.

So stellen Sie den Lenker ein

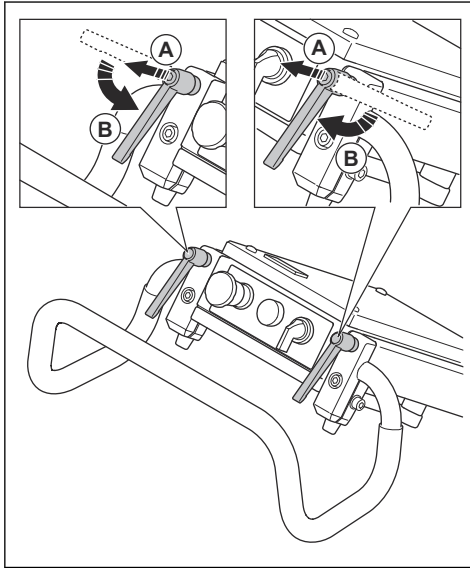
Die Sperrhebel des Lenkers werden im Uhrzeigersinn oder gegen den Uhrzeigersinn bedient oder in die Leerlaufposition gebracht.

1. Lösen Sie die Sperrhebel (A), und bringen Sie den Lenker (B) in die gewünschte Position.



2. Ziehen Sie die Verriegelungsknöpfe fest, um die Position einzustellen.

3. Wenn die Griffposition eingestellt ist, ziehen Sie die Griffverriegelungsknöpfe (A) nach oben (A), und bringen Sie sie in die Leerlaufstellung (B).



Griffhöhen

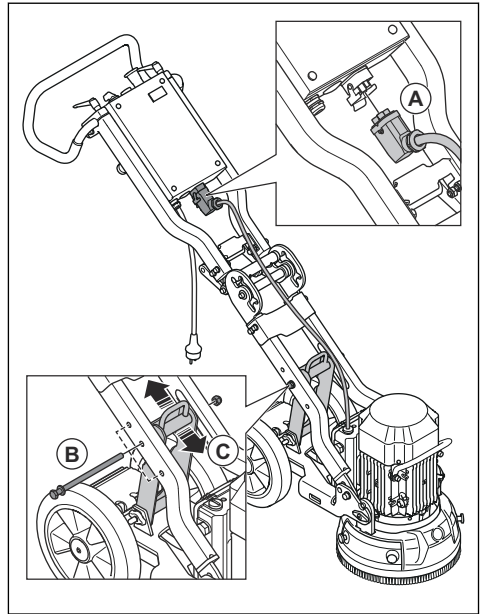
Handgriffposition	Handgriffhöhe PG 280 S	Handgriffhöhe PG 280
Maximale obere Position, mm/Zoll	1120/44	835/33
Horizontale Position, mm/Zoll	935/37	925/36
Maximale untere Position, mm/Zoll	750/30	1000/39

So stellen Sie die Rahmenhöhe ein

Der Winkel des Rahmens kann geändert werden, um das Gewicht des Chassis zu teilen. Dadurch wird der Schleifdruck gegen die Oberfläche verringert oder erhöht.

Passen Sie den Winkel an, um eine gute Arbeitsposition für verschiedene Anwender einzustellen.

1. Trennen Sie das Motorkabel (A) vom Schaltkasten.



2. Entfernen Sie den Verriegelungsknopf (B).
3. Wählen Sie die für die Aufgabe entsprechende Position (C) und ziehen Sie den Verriegelungsknopf (B) fest. Über die untere Bohrung wird der Schleifdruck erhöht und die Höhe des Lenkers eingestellt. Über die obere Bohrung werden der Schleifdruck und die Lenkerhöhe verringert.

Schleifdruck:

Schauen Sie in den Tabellen nach, die den Schleifdruck gegen die Oberfläche für jede Öffnungsposition auflisten.

Unten, kg	Mitte, kg	Oben, kg
23	25*	27
Mit Zubehör-Gegengewicht		
17	20*	23
*Werkseinstellung		

Diamantwerkzeuge

Es gibt viele Arten von Diamantwerkzeugen für das Gerät. Sprechen Sie mit Ihrem autorisierten Service Center, oder wählen Sie unter www.husqvarnacp.com das richtige Diamantwerkzeug aus.

Installation der Diamantwerkzeuge

Die Installation der Diamantwerkzeuge auf der Werkzeugplatte hat Auswirkungen auf die Leistung

des Geräts. Die Art des Diamantwerkzeugs in Kombination mit der Anzahl der Segmente auf dem Diamantwerkzeug ist wichtig.

Verwenden Sie metallgebundene Diamantwerkzeuge mit zwei Segmenten für die üblichen Schleifarbeiten, um die Oberfläche zu ebenen oder für leichteres Abtragen.

Verwenden Sie metallgebundene Diamantwerkzeuge mit einem Diamantsegment, um den Druck des Diamantwerkzeugs zu erhöhen. Diese Installation eignet sich für intensiven Abtrag mit viel Kraft.

Für besonders intensiven Abtrag empfehlen wir Werkzeuge, die nur in einer Laufrichtung mit PCD-Diamantspitzen verwendet werden.

Hinweis: PIRANHA™-Werkzeuge werden nur in einer Laufrichtung verwendet.

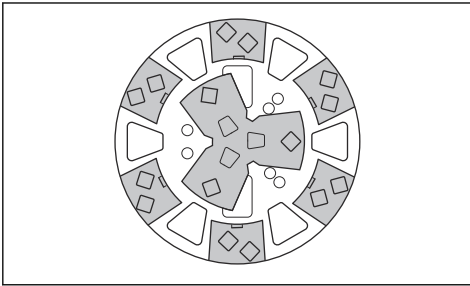
Metallgebundene Diamantsegmente

Hinweis: Husqvarna empfiehlt die Verwendung des 2-Segment-Einrichtung.

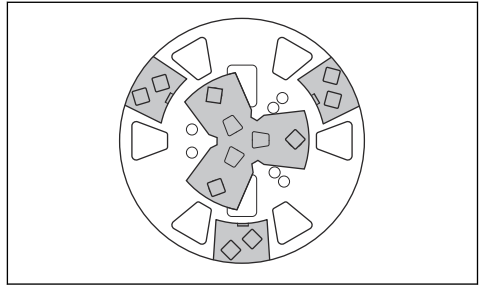
Die Einrichtung der Diamantsegmente auf der Schleifmaschine hat Einfluss auf die Leistung. Die Einrichtung wirkt sich auf die Arbeitsleistung des Geräts und die Endqualität der Oberfläche aus.

Es gibt eine Reihe verschiedener Konfigurationen für Diamantwerkzeuge, die am Gerät angebracht werden können.

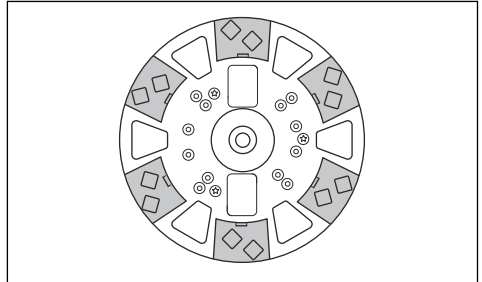
- Für den PG 280-Komplettsatz – innere und äußere Reihe. Glattes Abtragen von Oberflächen.



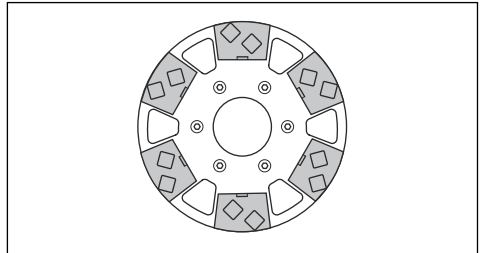
- Für den PG 280-Teilsatz – innere und äußere Reihe. Effektives Abtragen von ebenen Oberflächen.



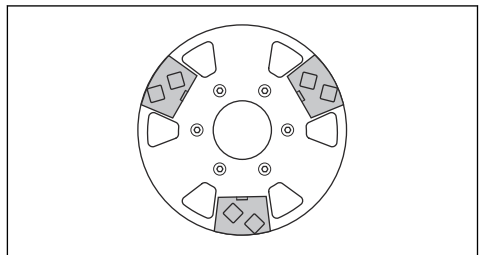
- Für den PG 280-Teilsatz – äußere Reihe. Effektives, konzentriertes Abtragen von Oberflächen.



- Für den PG 280 S – Komplettsatz – äußere Reihe. Effektives, konzentriertes Abtragen von Oberflächen.



- Für den PG 280 S-Teilsatz – äußere Reihe. Sehr aggressives, konzentriertes Abtragen von Oberflächen.



Auswählen des für Ihre Anwendung geeigneten harzgebundenen Diamanten

Diese Tabelle enthält die grundlegenden Konfigurationen für die harzgebundenen Diamantsegmente.

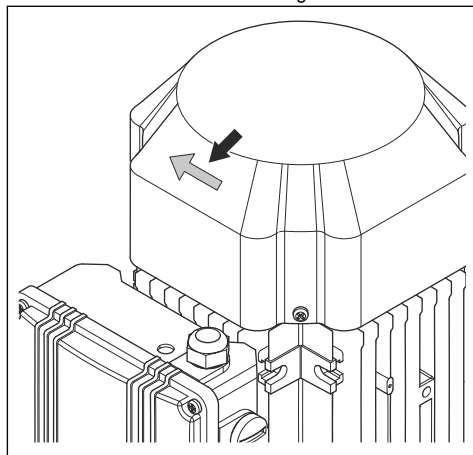
Oberfläche	Komplett- satz – äußere Reihe	Halb- satz – äußere Reihe
Zum Polieren von Terazzo- oder Steinfliesen	X	
Zum Aufbringen einer neuen Oberfläche auf Terazzo- oder Steinfliesen		X
Zum Polieren der Oberfläche von Betonböden – Hartbeton		X
Zum Polieren der Oberfläche von Betonböden – mittelharter Beton		X
Zum Polieren der Oberfläche von Betonböden – weicher Beton		X

Bevor Sie das Gerät bedienen

1. Lesen Sie die Bedienungsanleitung sorgfältig durch, und stellen Sie sicher, dass Sie die Anweisungen verstehen.
2. Warten Sie das Gerät täglich. Siehe *Tägliche Wartung auf Seite 41*.
3. Stellen Sie sicher, dass das Gerät korrekt zusammengebaut und unbeschädigt ist.
4. Stellen Sie das Gerät in den Arbeitsbereich.
5. Stellen Sie sicher, dass Diamantwerkzeuge auf der Werkzeugplatte vorhanden sind und fest sitzen.
6. Schließen Sie den Staubabsauger an das Gerät an. Siehe *So schließen Sie einen Staubabsauger an auf Seite 40*.
7. Stellen Sie den Lenker auf die gewünschte Arbeitshöhe ein.
8. Stellen Sie sicher, dass das Motorkabel an den Schaltkasten angeschlossen ist, bevor das Gerät an eine Steckdose angeschlossen wird.
9. Stecken Sie den Netzstecker des Geräts in die Steckdose.
10. Vergewissern Sie sich, dass Sie wissen, in welcher Richtung sich der Motor dreht.
11. Drehen Sie an der PG 280 die Not-Aus-Taste im Uhrzeigersinn, um sicherzustellen, dass sie deaktiviert ist.

So prüfen Sie die Drehrichtung des Motors PG 280

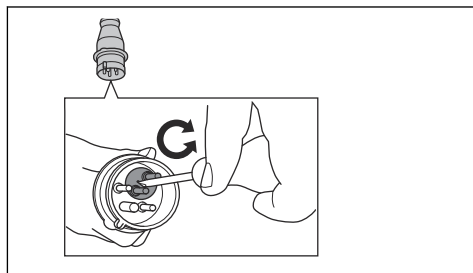
1. Starten Sie das Gerät. Siehe *So starten Sie das Gerät auf Seite 38*.
2. Halten Sie das Gerät nach einigen Sekunden an. Siehe *So stoppen Sie das Gerät auf Seite 38*.
3. Stellen Sie sicher, dass der Motor die richtige Drehrichtung hat. Die richtige Richtung ist durch einen Pfeil oben auf dem Lüftergehäuse markiert.



4. Ändern Sie bei Bedarf die Drehrichtung des Motors. Siehe *So ändern Sie die Drehrichtung des Motors (nur dreiphasig) der PG 280 auf Seite 37*.

So ändern Sie die Drehrichtung des Motors (nur dreiphasig) der PG 280

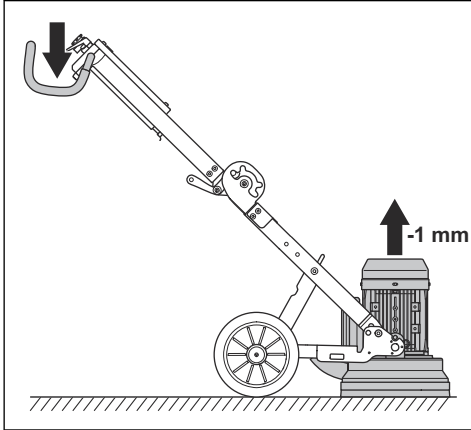
1. Schalten Sie den ON-/OFF-Schalter auf „0“, um den Motor zu stoppen. Siehe *So stoppen Sie das Gerät auf Seite 38*.
2. Warten Sie, bis das Gerät vollständig angehalten hat.
3. Trennen Sie das Verlängerungskabel vom Netzstecker des Geräts.
4. Drehen Sie den Wechselrichterschalter am Netzstecker des Geräts in die entgegengesetzte Position.



- Schließen Sie das Netzkabel an, und überprüfen Sie die Drehrichtung des Motors. Siehe *So prüfen Sie die Drehrichtung des Motors PG 280 auf Seite 37*.

So starten Sie das Gerät

- Drücken Sie den Lenker leicht um ungefähr 1 mm nach unten, um den Schleifkopf von der Oberfläche zu heben. Dadurch wird der Druck gegen die Oberfläche verringert. Heben Sie den Schleifkopf nicht vollständig von der Oberfläche ab.



- Schalten Sie den ON-/OFF-Schalter auf „1“, um das Gerät zu starten. In weniger als fünf Sekunden arbeitet das Gerät mit der Leerlaufdrehzahl. Siehe *EIN/AUS-Schalter auf Seite 33*.

So stoppen Sie das Gerät



ACHTUNG: Heben Sie die Werkzeugplatte nicht von der Oberfläche ab, wenn Sie den Motor stoppen. Die Werkzeugplatte dreht sich nach dem Stoppen des Motors eine Weile lang weiter. Ein großer Teil des Staubs kann in die Luft geblasen werden, und die Oberfläche kann beschädigt werden.



ACHTUNG: Wenn Sie Asphalt mit Haftmittel, Lack oder ähnliches Material abschleifen, sollten Sie die Vorderseite des Geräts leicht anheben, wenn die Werkzeugplatte stoppt. Das Gerät kann an der Haftfläche festkleben, wenn es nicht angehoben wird.

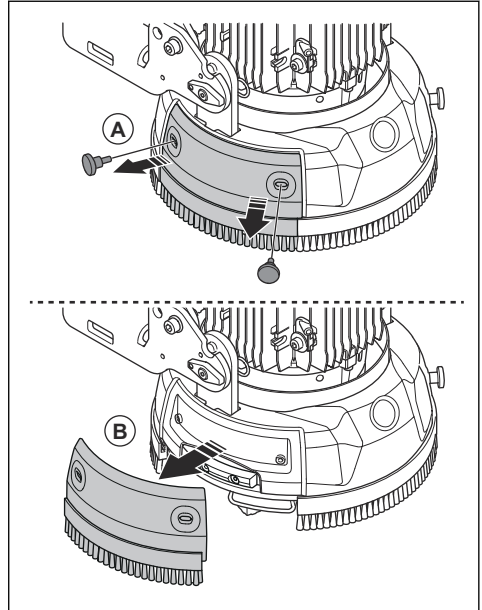
- Schalten Sie den ON-/OFF-Schalter auf „0“, um den Motor zu stoppen. Siehe *EIN/AUS-Schalter auf Seite 33*.

- Halten Sie die Werkzeugplatte gegen die Oberfläche. Achten Sie darauf, dass sich die Werkzeugplatte nicht dreht, bevor Sie die Vorderseite anheben.

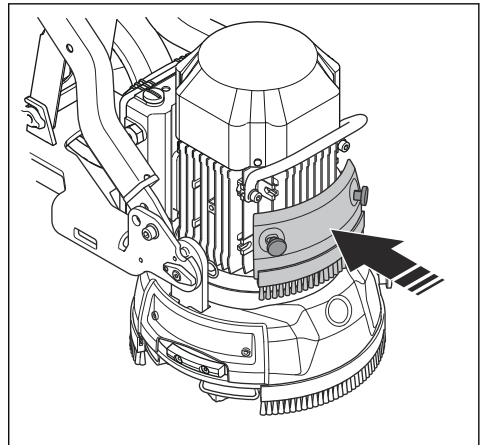
- Ziehen Sie den Netzstecker.

So schleifen Sie mit der PG 280 an einer Kante

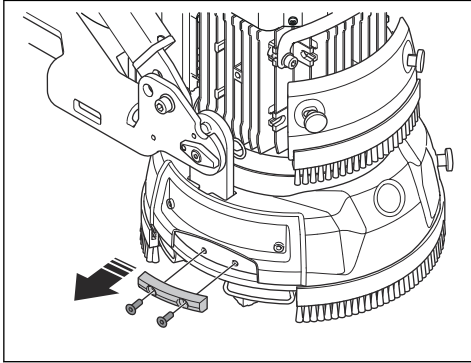
- Entfernen Sie die Schrauben (A) und die Abdeckung (B).



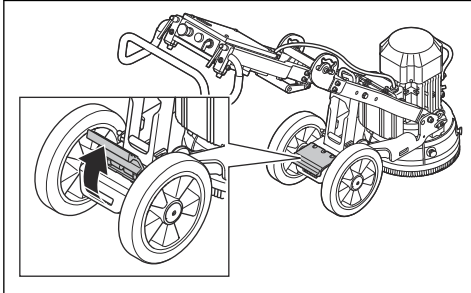
- Bringen Sie die Abdeckung an der Halterung an.



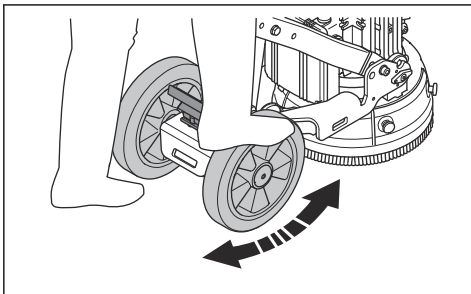
3. Eine Schutzvorrichtung hinter der Abdeckung verhindert Schäden an der Wand. Entfernen Sie die beiden Schrauben und die Schutzabdeckung, wenn Sie nahe der Wand schleifen müssen.



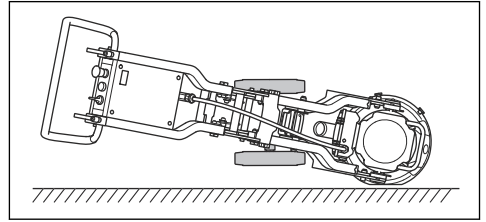
4. Heben Sie das Fußpedal an.



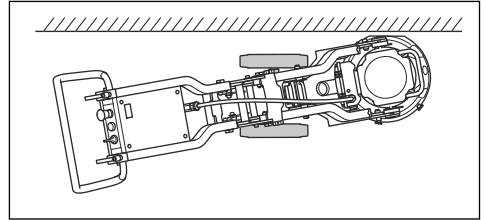
5. Bringen Sie die Räder mit Ihrem Fuß in den korrekten Winkel.



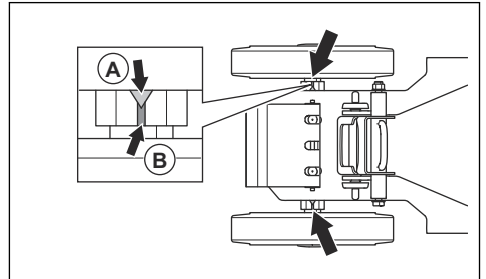
6. Bei Schleifarbeiten auf der rechten Seite müssen die Räder nach links zeigen.



7. Bei Schleifarbeiten auf der linken Seite müssen die Räder nach rechts zeigen.



8. Um die Räder gerade zu stellen, richten Sie die rote Markierung auf der Radachse (A) mit der roten Markierung am Rahmen (B) aus.



So ersetzen Sie die Diamantwerkzeuge



WARNUNG: Ziehen Sie den Netzstecker aus der Steckdose.



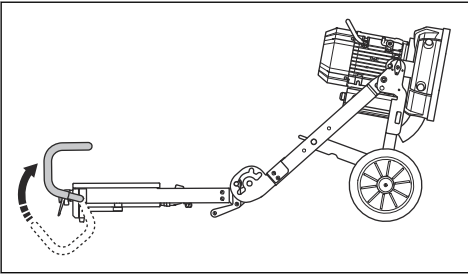
WARNUNG: Die Diamantwerkzeuge können sehr heiß werden. Tragen Sie stets Schutzhandschuhe.

1. Stellen Sie den ON-/OFF-Schalter auf 0 und ziehen Sie den Netzstecker, um das Gerät auszuschalten. Siehe *So stoppen Sie das Gerät auf Seite 38*.
2. Drücken Sie die Not-Aus-Taste.
3. Stellen Sie das Gerät in die Wartungsposition.

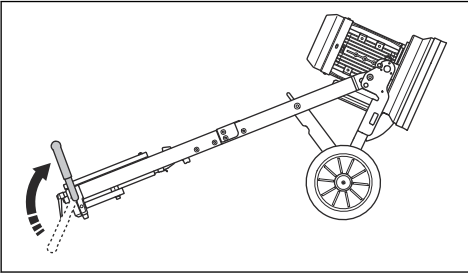


ACHTUNG: Stellen Sie das Gerät in der Wartungsposition immer auf eine ebene Fläche.

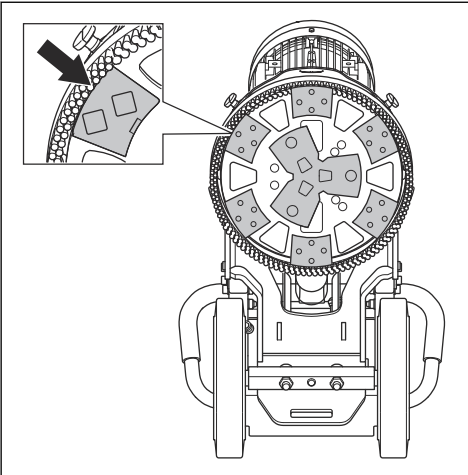
a) Bei PG 280



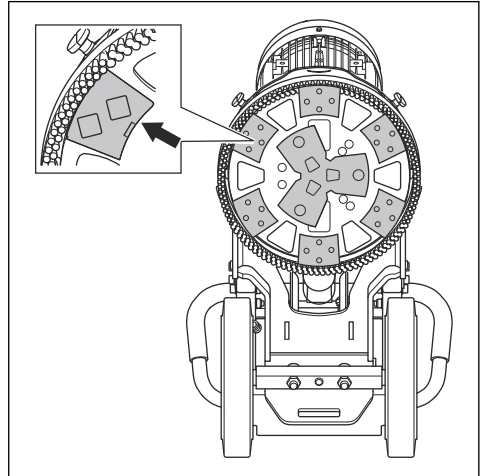
b) Bei PG 280 S



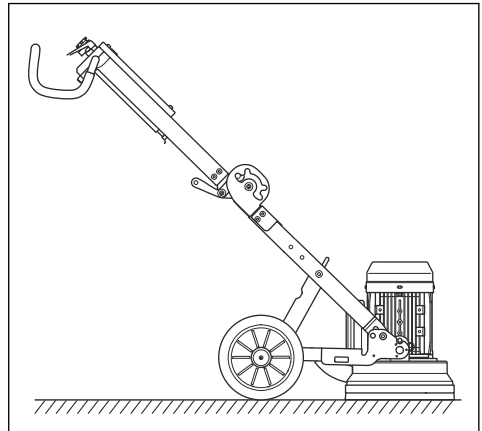
4. Entfernen Sie die Diamantsegmente mit einem Hammer.



5. Befestigen Sie neue Diamantwerkzeuge auf der Werkzeugplatte.



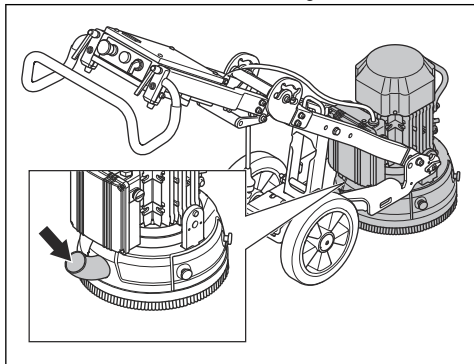
6. Stellen Sie das Gerät in die Betriebsposition.



So schließen Sie einen Staubabsauger an

Verwenden Sie ein Husqvarna-Staubabsaugersystem.

1. Schließen Sie den Staubabsauger an das Gerät an. Verwenden Sie einen 50 mm langen Schlauch.



2. Stellen Sie sicher, dass die Filter im Staubabsauger sauber und unbeschädigt sind. Achten Sie beim Arbeiten auf den Staub.

Wartung

Einleitung



WARNUNG: Bevor Sie eine Wartung durchführen, müssen Sie das Kapitel über die Sicherheit lesen und verstehen.

Für alle Wartungs- und Reparaturarbeiten am Produkt ist eine spezielle Schulung erforderlich. Wir garantieren die Verfügbarkeit von professionellen Reparaturen und Wartungsarbeiten. Wenn Ihr Händler keine Servicewerkstatt ist, sprechen Sie mit ihm, um Informationen über die nächste Servicewerkstatt zu erhalten.

Genauere Informationen finden Sie unter www.husqvarnacp.com.

Tägliche Wartung

Es gehört zur täglichen Wartung, dass Sie das Gerät reinigen. Darüber sollten Sie die elektrische Stromversorgung, den Bürstenstreifen und den Schleifscheibenhalter überprüfen.

So reinigen Sie das Gerät



ACHTUNG: Ein verstopfter Lufteinlass reduziert die Leistung des Geräts und kann dazu führen, dass der Motor zu heiß wird.

- Ziehen Sie immer den Netzstecker aus der Steckdose, bevor Sie das Gerät reinigen, warten oder zusammenbauen.
- Reinigen Sie am Ende des Arbeitstages stets die gesamte Ausstattung. Reinige das Gerät nicht mit einem Hochdruckreiniger.
- Führen Sie Wartungsarbeiten immer auf ebenem Untergrund durch.

- Entfernen Sie Verstopfungen aus den Luftöffnungen. Das Gerät muss immer kühl bleiben.

So kontrollieren Sie die Stromversorgung



WARNUNG: Verwenden Sie keine beschädigten Kabel. Ein beschädigtes Kabel kann zu schweren und tödlichen Verletzungen führen.

- Stellen Sie sicher, dass Strom- und Verlängerungskabel intakt und in gutem Zustand sind.
- Verwenden Sie das Gerät nicht, wenn ein Kabel beschädigt ist. Lassen Sie die Reparatur von einer autorisierten Servicewerkstatt durchführen.

So prüfen Sie den Bürstenstreifen

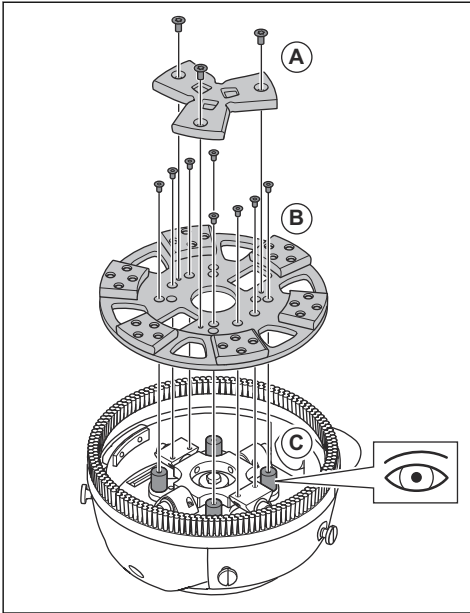
- Stellen Sie sicher, dass der Bürstenstreifen vollständig besetzt ist.
- Stellen Sie sicher, dass der Bürstenstreifen die Oberfläche berührt.

So prüfen Sie den Schleifscheibenhalter



ACHTUNG: Der Zustand des Schleifscheibenhalters ist wichtig für die Leistung und die Sicherheit.

1. Bauen Sie die Werkzeugplatte (A) aus.



2. Überprüfen Sie den Schleifscheibenhalter auf Beschädigungen und die Gummizylinder (B) auf Verschleiß.

3. Tauschen Sie die Gummizylinder bei Bedarf aus.

Fehlerbehebung

Das Gerät springt nicht an

- Stellen Sie sicher, dass das Netzteil und die Stromkabel nicht beschädigt sind.
- Überprüfen Sie die Notaus-Taste und drehen Sie sie im Uhrzeigersinn, um den Notaus zu lösen.
- Kontrollieren Sie die Überlastlampe. Wenn die Überlastlampe leuchtet, lassen Sie den Motor ein paar Minuten abkühlen, bis sich das Gerät automatisch zurückgesetzt hat.

Das Gerät ist nicht leicht zu halten

- Es sind zu wenige Diamantwerkzeuge am Gerät installiert.
- Der ausgewählte Typ des Diamantwerkzeugs eignet sich nicht für die Fläche.
- Der Motor arbeitet mit hohem Strom.
- Verwenden Sie die empfohlene Anzahl von Diamantwerkzeugen, um die Kraft auf das Gerät und den Bediener zu verringern. Siehe *Metalgebundene Diamantsegmente auf Seite 36*.

Das Gerät erzeugt plötzliche Bewegungen

- Stellen Sie sicher, dass alle Diamantwerkzeuge korrekt installiert sind und dieselbe Höhe haben.

Das Gerät hält plötzlich an

- Wenn das Gerät überlastet wird, rastet der Überlastschutz ein und stoppt den Motor.
- Drücken Sie den Überlastschutz, um das Gerät zurückzusetzen. Das Gerät muss abkühlen, bevor Sie es mit dem ON/OFF-Schalter wieder einschalten können.
- Stellen Sie sicher, dass die Verlängerungskabel nicht zu lang sind.

Das Gerät stoppt beim Einschalten

Für eine gute Motorleistung ist eine korrekte Spannungsversorgung erforderlich. Zu lange Verlängerungskabel und/oder ein zu kleines Maß verringert die Leistung des Motors während der Arbeit.

- Drücken Sie bei Überlastung des Motors den Überlastschutz. Wenden Sie sich an einen zugelassenen Servicehändler, wenn dies nicht hilft.
- Stellen Sie sicher, dass die Verlängerungskabel nicht zu lang sind.
- Wenn der Motor überlastet wird, leuchtet die Überlastlampe auf. Warten Sie zwei Minuten, und versuchen Sie es erneut. Wenden Sie sich an eine zugelassene Servicewerkstatt, wenn dies nicht hilft.

Transport und Lagerung

Transport des Gerätes

- Sichern Sie das Gerät während des Transports ab, um Schäden und Unfälle zu vermeiden.
- Schützen Sie das Gerät während des Transports. Durch diesen Schutz werden Naturelemente wie Regen und Schnee vom Gerät ferngehalten.
- Das Gerät kann in zwei Komponenten aufgeteilt werden. Dadurch wird der Transport erleichtert.
- Verwenden Sie zum Anheben und Bewegen des Geräts die am Gerät befestigte Huböse.

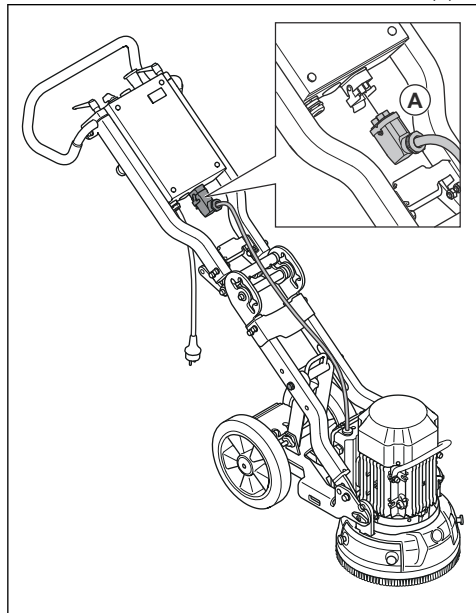
So bringen Sie das Gerät in die Transportposition PG 280

Schützen Sie das Gerät während des Transports. Durch diesen Schutz werden Naturelemente wie Regen und Schnee vom Gerät ferngehalten.

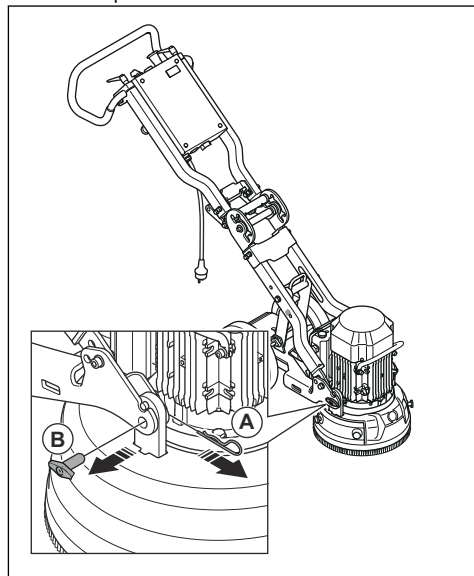
Das Gerät kann in zwei Komponenten aufgeteilt werden. Dadurch wird der Transport erleichtert.

Bewegen Sie das Gerät immer mit der Huböse und dem Lenker.

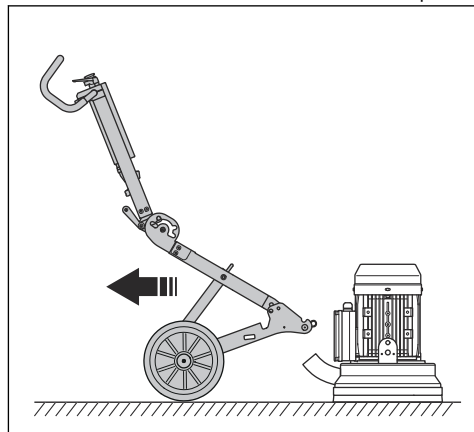
1. Trennen Sie das Motorkabel vom Schaltkasten (A).



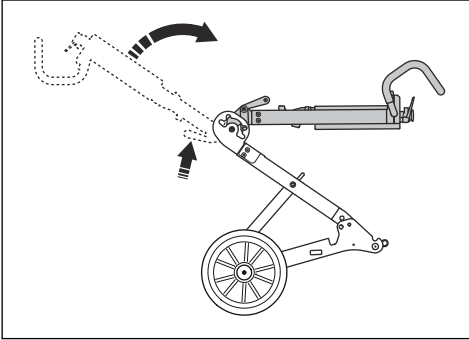
2. Ziehen Sie die Sperrstifte (A) heraus und entfernen Sie die Sicherungsschrauben (B) auf jeder Seite des Schleifkopfes.



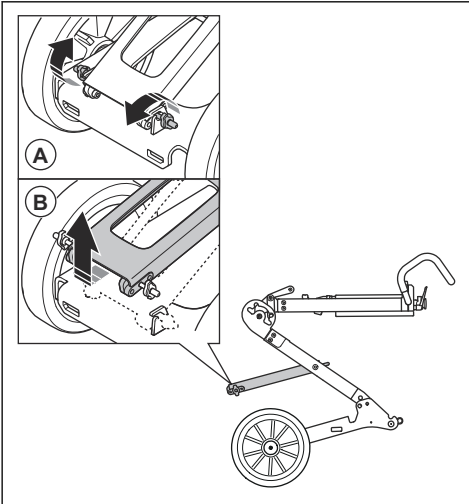
3. Entfernen Sie das Rad-Chassis vom Schleifkopf.



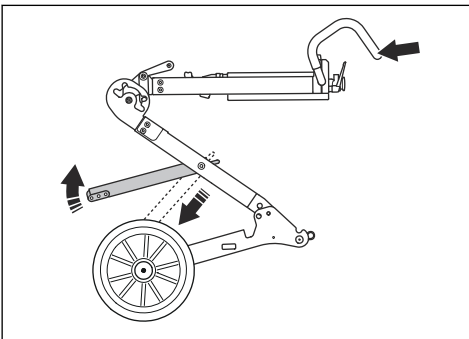
4. Drücken Sie den Griff auf dem mittleren Scharnier, und legen Sie gleichzeitig den oberen Rahmen nach vorn. Das Gerät befindet sich in der Hubposition.



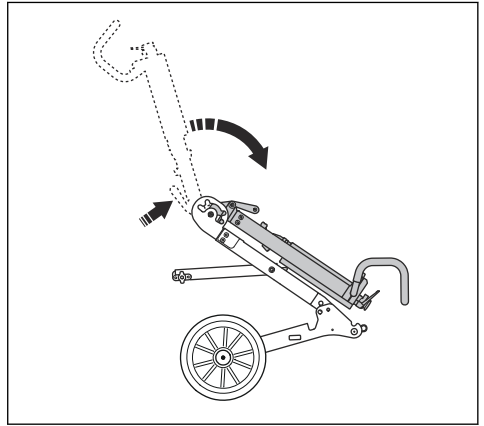
5. Entfernen Sie die Sperrhebel (A), um den Stützfuß (B) zu lösen.



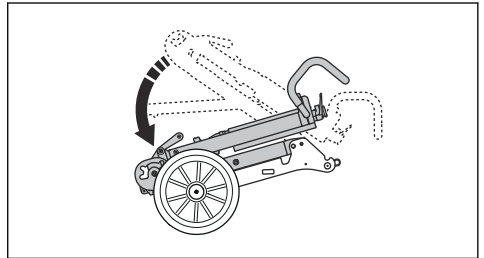
6. Halten Sie den Lenker so, dass der Rahmen stabil bleibt, und heben Sie den Stützfuß nach außen und oben.



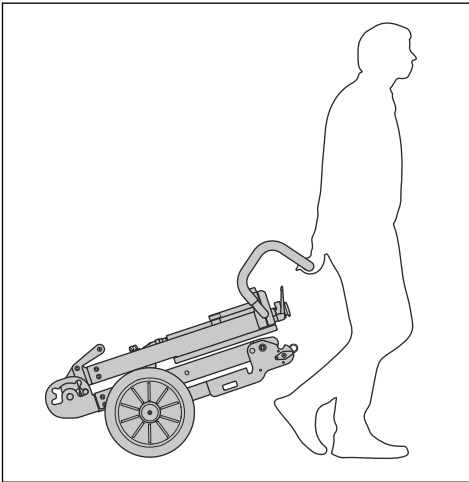
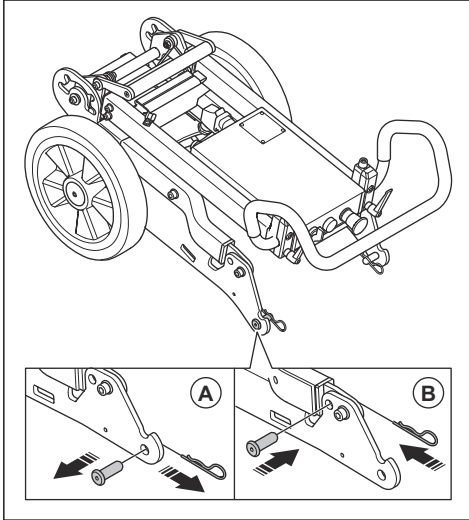
7. Halten Sie den Lenker mit einer Hand fest, und drücken Sie den Griff auf dem mittleren Scharnier. Dadurch wird das Gerät in der zusammengeklappten Position gehalten.



8. Klappen Sie das Gerät sorgfältig zusammen.

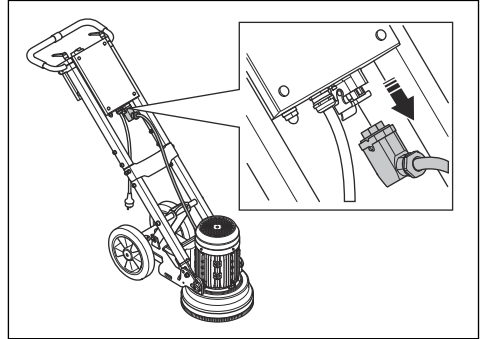


9. Verschieben Sie den Sperrstift und die Schlossschraube von Position (A) auf Position (B), um das Gerät zu sperren.

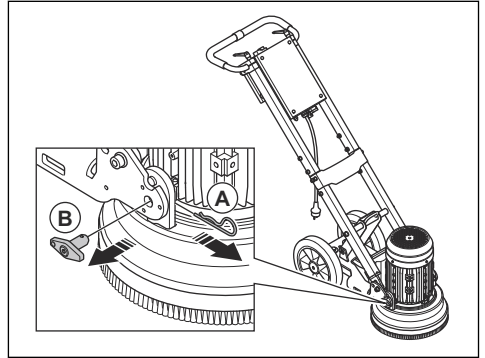


So bringen Sie das Gerät in die Transportposition PG 280 S

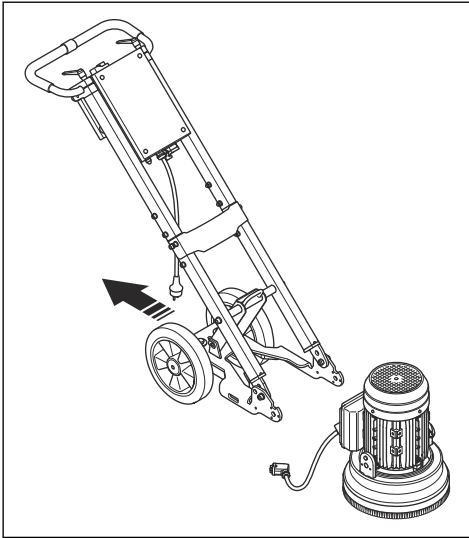
1. Trennen Sie das Motorkabel vom Schaltkasten.



2. Ziehen Sie die Sperrstifte (A) heraus, und entfernen Sie die Sicherungsschrauben (B) auf jeder Seite des Schleifkopfs.

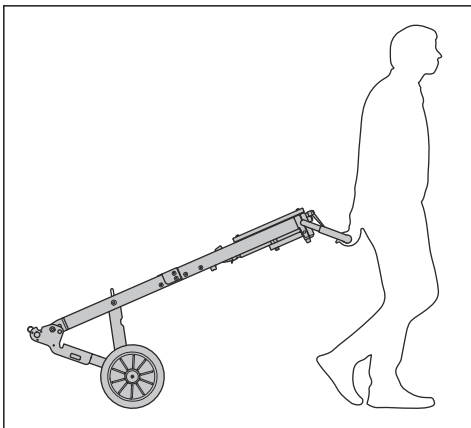
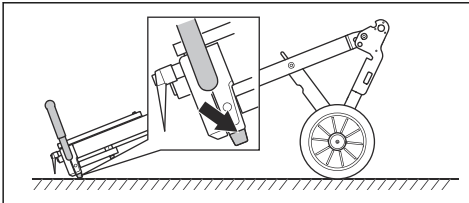


3. Entfernen Sie das Rad-Chassis vom Schleifkopf.



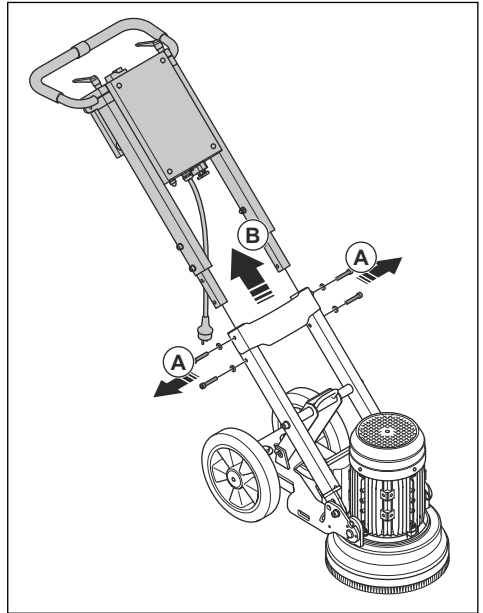
ACHTUNG: Lassen Sie den Rahmen nicht los, da er sonst herunterfällt.

4. Legen Sie den Rahmen mit dem Gummi-Stoßfänger als Stütze auf den Boden, damit er nicht herunterfallen kann.



So zerlegen Sie den Rahmen der PG 280 S

1. Entfernen Sie die Schrauben (A) am Rahmen.

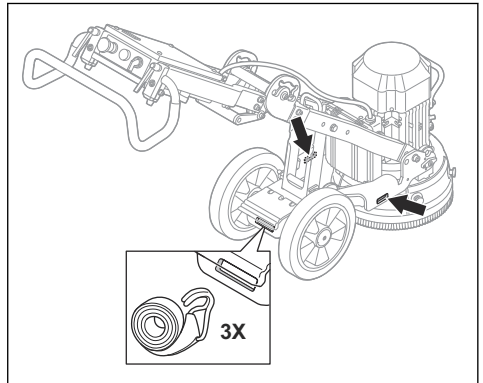


2. Ziehen Sie den Rahmen (B) heraus.

So befestigen Sie das Gerät an einem Fahrzeug für den Transport

Befestigen Sie das Gerät während des Transports, um Unfälle und Schäden am Gerät zu vermeiden. Das Gerät verfügt über Bohrungen, die mit Gurten zur Befestigung des Geräts am Fahrzeug verwendet werden.

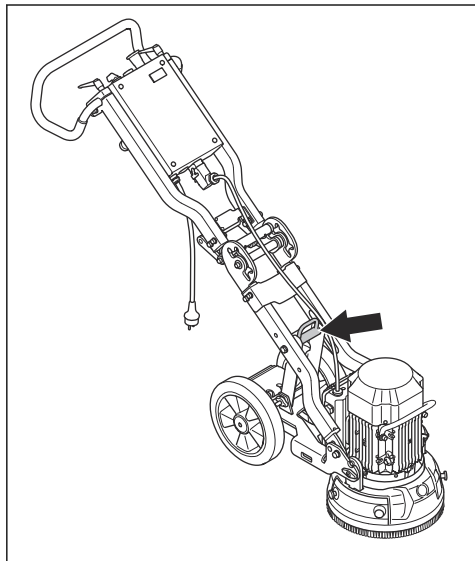
1. Befestigen Sie die Gurte in den Löchern.



2. Befestigen Sie den Gurt am Fahrzeug und ziehen Sie ihn fest.

So heben Sie das Gerät an

1. Verwenden Sie die Huböse, um das Gerät anzuheben.



2. Vergewissern Sie sich, dass das Gerät beim Anheben ausbalanciert ist. Wenn Sie das Gerät anheben, lassen Sie sich von einer anderen Person helfen.

Lagerung des Geräts

- Das Gerät darf nur in Innenräumen gelagert werden.
- Bewahren Sie das Gerät in einem verschlossenen Bereich auf, um einen unerlaubten Zugriff durch Kinder oder andere Personen zu verhindern.
- Bewahren Sie das Gerät in an einem trockenen und frostfreien Bereich auf.

Technische Angaben

Technische Daten

PG 280	Einphasig, 220-240 V			Einphasig, 100-120 V	
	50 Hz	50 Hz	60 Hz	50 Hz	60 Hz
Motorleistung, kW	2,2	1,6	2,2	1,1	1,1
Nennstrom, A	13,4	9	13	14	13,4
Nennspannung, V	220–240	220–240	220–240	100-120	100-120
Gewicht, kg	73	71	73	73	75
Schleifbreite, mm	280	280	280	280	280
Schleifdruck, kg	23	25	25	25	25
Die Drehzahl, mit der die Werkzeugplatte rotiert, U/min	1410	1450	1730	940	1150

Technische Daten

PG 280 S	Einphasig, 220-240 V	
Motor	50 Hz	60 Hz
Motorleistung, kW	2,2	2,2
Nennstrom, A	12,5	11,4
Nennspannung, V	220–240	220–240
Gewicht, kg	77	77
Schleifbreite, mm	280	280
Schleifdruck, kg	25	25
Die Drehzahl, mit der die Werkzeugplatte rotiert, U/min	1446	1759

Schallpegel

Teil	Einheit	Wert
Geräuschemissionen ⁴		
Geräuschpegel L_{WA} (gemessen)	dB (A)	90
Schallpegel ⁵		
Schalldruckpegel am Ohr des Bedieners	dB (A)	74,1
Vibrationspegel ⁶		
Griff rechts	m/s^2	2,39
Griff links	m/s^2	2,72

⁴ Umweltbelastende Geräuschemissionen gemessen als Schalleistung gemäß EN 60335-2-72. Erwartete Messunsicherheit 2,5 dB (A).

⁵ Schalldruckpegel gemäß EN 60335-2-72. Erwartete Messunsicherheit 4 dB (A).

⁶ Vibrationspegel gemäß EN 60335-2-72. Berichten zufolge liegt der Vibrationspegel normalerweise bei einer Ausbreitungsklasse (Standardabweichung) von $1 m/s^2$.

Konformitätserklärung

EU-Konformitätserklärung

Wir Husqvarna AB, SE-561 82 Huskvarna, Schweden,
Tel: +46- 36-146500, erklärt in alleiniger Verantwortung,
dass das Gerät:

Beschreibung	Polier- und Schleifausrüstung
Marke	Husqvarna
Typ/Modell	PG 280 S, PG 280
Identifizierung	Seriennummern ab 2022

die folgenden EU-Richtlinien und -Verordnungen erfüllt:

Richtlinie/Verordnung	Beschreibung
2006/42/EC	„Maschinenrichtlinie“
2014/30/EU	„über elektromagnetische Verträglichkeit“
2011/65/EU	„zur Beschränkung der Verwendung bestimmter gefährlicher Stoffe“

und dass die harmonisierten Normen und/oder
technischen Daten wie folgt angewendet werden;

EN ISO 12100:2010

EN 60335-2-72:2012

EN 55014-1:2017

EN 55014-1:2021

EN 60335-1:2012+A11:2014+A13:2017

EN IEC 63000:2018

Partille, 2022-10-11



A handwritten signature in black ink, appearing to read 'Martin Huber', with a long horizontal stroke extending to the right.

Martin Huber

R&D Director, Concrete Surfaces & Floors

Husqvarna AB, Construction Division

Verantwortlich für die technische Dokumentation

Sommaire

Introduction.....	50	Dépannage.....	65
Sécurité.....	53	Transport et stockage.....	66
Utilisation.....	58	Caractéristiques techniques.....	70
Entretien.....	64	Déclaration de conformité.....	72

Introduction

Description du produit

Le produit est une ponceuse électrique pour les surfaces en béton de différentes duretés. La gamme de ponceuses peut être utilisée sur des surfaces dures, mais également pour une finition lisse.

Par exemple, le produit est équipé des fonctions suivantes :

- Un couvercle de tête de ponçage qui adapte le mouvement à la couche de la surface.

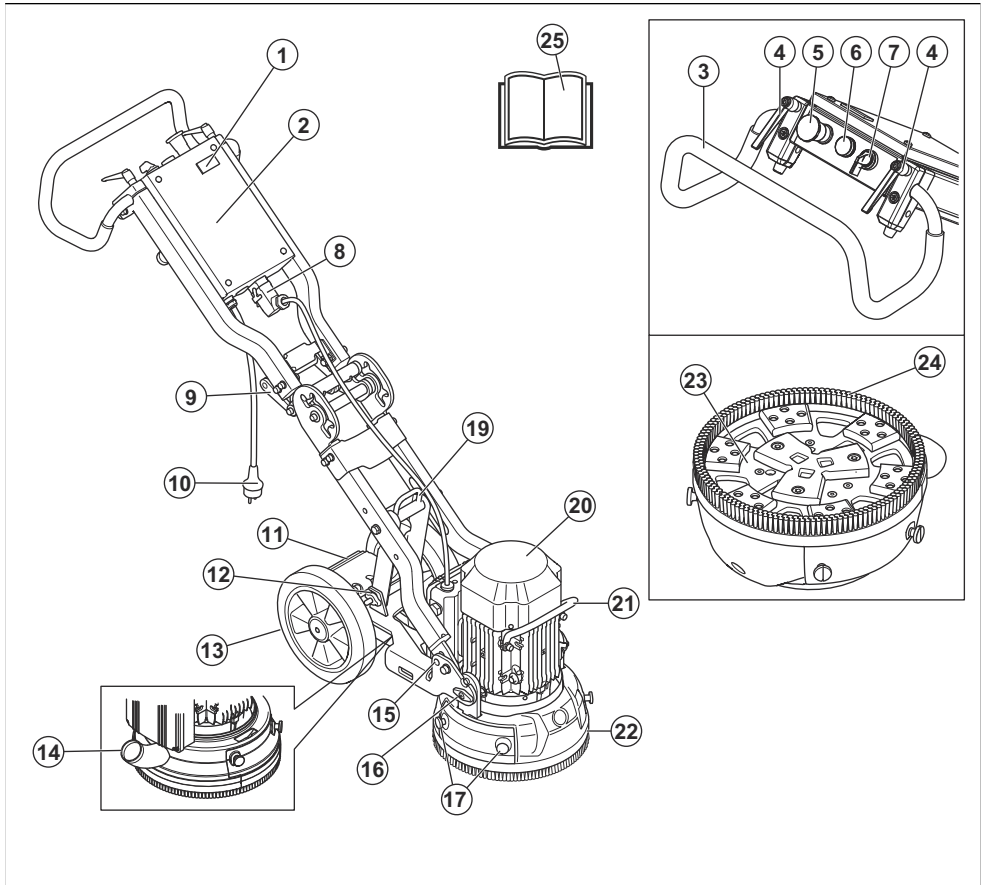
- Une zone de ponçage de 280 mm.

Utilisation prévue

Le produit est utilisé pour poncer le béton et d'autres types de sols durs. Utilisez uniquement le produit sur des surfaces sèches.

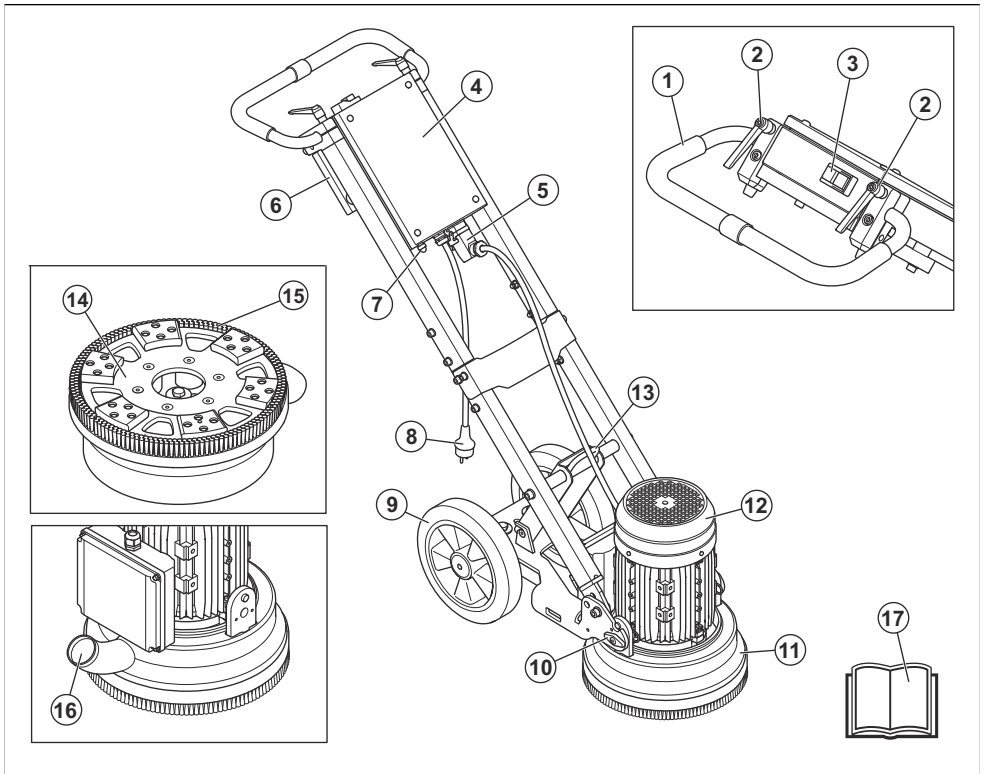
Le produit est conçu pour un usage commercial par des opérateurs professionnels. N'utilisez pas ce produit pour d'autres travaux.

Présentation du produit PG 280



- | | |
|--|--|
| 1. Compteur horaire | 14. Raccord, tuyau d'aspiration |
| 2. Boîtier électrique | 15. Fonction de verrouillage |
| 3. Poignée/Guidon | 16. Boulon de verrouillage pour fixer la tête de ponçage/le moteur |
| 4. Boutons de verrouillage pour le réglage du guidon | 17. Vis du capot de la ponceuse de bords |
| 5. Arrêt d'urgence | 18. Capot de la ponceuse de bords |
| 6. Témoin de surcharge | 19. Anneau de levage |
| 7. Interrupteur de marche/arrêt | 20. Moteur électrique |
| 8. Raccord pour le câble du moteur | 21. Poignée de levage, moteur |
| 9. Poignée pour joint à angle | 22. Capot de tête de ponçage |
| 10. Fiche d'alimentation | 23. Plaque de l'outil |
| 11. Pédale | 24. Brosse |
| 12. Bouton de verrouillage | 25. Manuel d'utilisation |
| 13. Roues en caoutchouc | |

Présentation du produit PG 280 S



1. Poignée/Guidon
2. Boutons de verrouillage pour le réglage du guidon
3. Interrupteur de marche/arrêt
4. Boîtier électrique
5. Raccord pour le câble du moteur
6. Contrepoids
7. Témoin de surcharge
8. Fiche d'alimentation
9. Roues en caoutchouc
10. Boulon de verrouillage pour fixer la tête de ponçage/le moteur
11. Capot de tête de ponçage
12. Moteur électrique
13. Anneau de levage
14. Plaque de l'outil
15. Brosse
16. Raccord, tuyau d'aspiration
17. Manuel d'utilisation

Symboles concernant le produit



AVERTISSEMENT : ce produit peut être dangereux et causer des blessures graves, voire mortelles, à l'opérateur ou à d'autres personnes. Soyez prudent et utilisez le produit correctement.



Lisez avec attention le manuel d'utilisation et assurez-vous de bien comprendre les instructions avant d'utiliser ce produit.



Utilisez des protège-oreilles, des protections pour les yeux et une protection respiratoire. Reportez-vous à *Équipement de protection individuel à la page 55*.



la poussière peut entraîner des problèmes de santé. Portez une protection respiratoire homologuée. Assurez-vous

systématiquement de la bonne circulation de l'air.



Ce produit est conforme aux directives CE en vigueur.



Ce produit est conforme aux directives applicables en vigueur au Royaume-Uni.



Le produit est conforme aux directives de l'Union douanière eurasiatique en vigueur.



Symbole de la durée d'utilisation respectueuse de l'environnement (EUFP) de la directive RoHS en Chine.



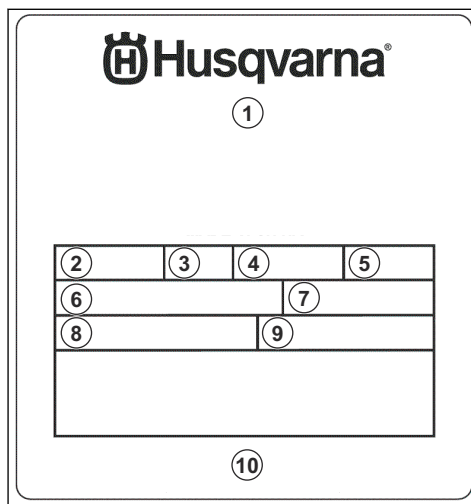
Étiquette relative aux émissions sonores dans l'environnement, conformément aux directives et réglementations de l'UE et du Royaume-Uni. Le niveau de puissance sonore garanti du produit est spécifié à la section *Caractéristiques techniques à la page 70* et sur l'étiquette.



Ce produit n'est pas un déchet domestique. Déposez-le dans une déchetterie agréée pour équipements électriques et électroniques.

Remarque: les autres symboles/autocollants présents sur le produit concernent des exigences de certification spécifiques à certains marchés.

Plaque signalétique



1. Modèle
2. Tension nominale, V
3. Intensité nominale, A
4. Puissance, kW
5. Moteur, Hz
6. Zone de ponçage, mm
7. Poids, kg
8. Année de production et numéro de série
9. Référence de production
10. Adresse du fabricant

Endommagement du produit

Nous ne sommes pas responsables des dommages subis par le produit si :

- le produit n'est pas correctement réparé ;
- le produit est réparé avec des pièces qui ne proviennent pas du fabricant ou qui ne sont pas homologuées par le fabricant ;
- le produit est équipé d'un accessoire qui ne provient pas du fabricant ou qui n'est pas homologué par le fabricant ;
- le produit n'est pas réparé par un centre d'entretien agréé ou par une autorité homologuée.

Sécurité

Définitions de sécurité

Des avertissements, des recommandations et des remarques sont utilisés pour souligner des parties spécialement importantes du manuel.



AVERTISSEMENT: Symbole utilisé en cas de risque de blessures ou de mort pour l'opérateur ou les personnes à proximité si les instructions du manuel ne sont pas respectées.



REMARQUE: Symbole utilisé en cas de risque de dommages pour le produit, d'autres matériaux ou les environs si les instructions du manuel ne sont pas respectées.

Remarque: Symbole utilisé pour donner des informations supplémentaires pour une situation donnée.

Instructions générales de sécurité



AVERTISSEMENT: Lisez les instructions qui suivent avant d'utiliser le produit. Conservez tous les avertissements de sécurité et toutes les instructions. Si nécessaire, reportez-vous aux avertissements et instructions pour les travaux ultérieurs.

- La section sur la sécurité fournit des instructions de base d'utilisation correcte du produit. Ces informations ne remplacent pas l'expérience et les connaissances d'un professionnel. Si vous ne vous sentez pas en sécurité dans une situation, arrêtez et demandez l'aide d'un professionnel. Parlez-en à votre revendeur, à votre agent d'entretien ou à un opérateur expérimenté. Ne tentez pas d'effectuer une tâche si vous ne vous sentez pas en sécurité.
- La zone de travail doit rester propre et lumineuse pour limiter le risque d'accident.

Instructions de sécurité pour le fonctionnement



AVERTISSEMENT: lisez les instructions qui suivent avant d'utiliser le produit. Conservez tous les avertissements et toutes les instructions pour toute opération ultérieure.



AVERTISSEMENT: Une exposition excessive aux vibrations peut entraîner des troubles circulatoires ou nerveux chez les personnes sujettes à des troubles cardiovasculaires. Consultez un médecin en cas de symptômes liés à une exposition excessive aux vibrations. Ces symptômes peuvent être les suivants : insensibilisation ou irritation locale, douleur, chatouillements, faiblesse musculaire, décoloration ou modification cutanée. Ces symptômes affectent généralement les doigts, les mains ou les poignets.

- Utilisez uniquement le produit pour les opérations décrites dans le présent manuel. Reportez-vous à *Utilisation prévue à la page 50*.
- Utilisez un équipement de protection individuelle. Reportez-vous à *Équipement de protection individuel à la page 55*.
- Ne vous éloignez pas du produit lorsque le moteur est allumé.
- Connectez le câble du moteur au boîtier électrique avant de brancher la prise.
- Ne laissez pas d'autres opérateurs utiliser le produit s'ils n'ont pas lu et compris ce manuel d'utilisation.
- Faites démarrer le produit uniquement lorsque la brosse est fixée. La brosse doit adhérer fermement à la surface, surtout dans le cadre d'opérations sur surface sèche.
- Assurez-vous que la brosse n'est pas endommagée et qu'elle est propre. Remplacez la brosse si elle est endommagée.
- Lorsque vous arrêtez le moteur, continuez l'opération de ponçage jusqu'à l'arrêt complet du ventilateur.
- Soulevez la tête de ponçage si vous devez contrôler la procédure de démarrage. Ne fixez pas d'outils diamantés pendant le contrôle.
- Ne faites pas démarrer le produit lorsque la tête de ponçage est positionnée sur la surface.
- N'utilisez pas ce produit dans des zones présentant un risque d'incendie ou d'explosion.
- Démontez l'outil diamanté après chaque utilisation.
- Si vous soulevez le produit, assurez-vous que la plaque de l'outil ne tourne pas. La plaque de l'outil continue à tourner pendant un moment après l'arrêt du moteur.
- Lorsque vous retirez les outils diamantés, laissez le produit refroidir et utilisez des gants de protection. Après utilisation, les outils diamantés sont très chauds.
- Assurez-vous de brancher le produit sur un extracteur de poussière pour éliminer la poussière.
- Assurez-vous que le produit est monté correctement.
- Utilisez l'anneau de levage pour soulever le produit.
- N'utilisez pas le produit si vous détectez des signes de dommage.
- Ne démarrez pas le produit lorsque la tête de ponçage touche la surface, excepté pour un contrôle de l'interrupteur marche/arrêt.
- Utilisez le produit uniquement lorsque vous vous trouvez à l'arrière, avec les mains sur le guidon.
- N'utilisez pas le produit si vous n'avez pas d'expérience et si vous n'avez pas reçu de formation préalable. Assurez-vous que tous les opérateurs suivent une formation.
- Ne laissez pas une personne utiliser le produit si elle ne connaît pas les instructions.
- Surveillez constamment les personnes aux capacités physiques ou mentales réduites qui

utilisent ce produit. Un adulte responsable doit être présent à tout moment.

- Assurez-vous que seules les personnes autorisées se trouvent dans la zone de travail, car il existe un risque de blessures graves.
- Assurez-vous que des vêtements, cheveux longs et bijoux ne peuvent pas se coincer dans les pièces en mouvement.
- Veillez à vous tenir dans une position stable et sûre pendant l'utilisation du produit.
- L'apparition soudaine de personnes et d'animaux peut empêcher l'utilisation en toute sécurité du produit. Utilisez toujours le produit avec précaution et soyez prêt à l'arrêter si nécessaire.
- Ne laissez pas un enfant utiliser le produit.
- Ne laissez pas les enfants jouer avec le produit.
- Assurez-vous qu'il y a toujours une personne supplémentaire à proximité lorsque vous utilisez le produit. En cas d'accident, vous pourrez obtenir de l'aide si nécessaire.
- N'utilisez pas le produit si vous êtes fatigué ou malade, ou si vous êtes sous l'emprise d'alcool, de drogues ou de médicaments. Cela peut diminuer votre acuité visuelle, votre jugement ou la coordination de vos mouvements.
- N'utilisez pas un produit dont les spécifications d'usine ont été modifiées.
- Utilisez uniquement des accessoires homologués. Pour davantage d'informations, contactez votre revendeur.

Équipement de protection individuel



AVERTISSEMENT: Lisez les instructions qui suivent avant d'utiliser le produit.

- Utilisez toujours un équipement de protection individuel approprié lorsque vous faites fonctionner le produit. L'équipement de protection individuel n'empêche pas le risque de blessures. L'équipement de protection individuel diminue la gravité des blessures en cas d'accident. Faites appel à votre revendeur pour vous aider à sélectionner l'équipement adéquat.
- Utilisez des protections pour les yeux homologués pendant que vous utilisez le produit.
- Ne portez pas de vêtements lâches, lourds ou inadaptés. Portez des vêtements qui garantissent votre liberté de mouvement.
- Utilisez des gants de protection homologués qui permettent de tenir fermement des objets.
- Utilisez des gants de protection en caoutchouc afin d'éviter toute irritation de la peau due au béton humide.
- Utilisez un casque de protection homologué.
- Utilisez toujours des protecteurs d'oreille homologués pendant l'utilisation du produit. Une

exposition au bruit sur de longues périodes peut provoquer une perte d'audition.

- Le produit génère de la poussière et des fumées qui contiennent des produits chimiques dangereux. Utilisez une protection respiratoire homologuée.
- Utilisez des bottes avec embouts en acier et semelles antidérapantes.
- Assurez-vous de disposer d'une trousse de premiers soins à proximité.
- Des étincelles peuvent se produire lorsque vous utilisez le produit. Assurez-vous de disposer d'un extincteur à proximité.

Sécurité électrique



AVERTISSEMENT: les produits électriques présentent toujours un risque de choc. N'utilisez pas le produit dans de mauvaises conditions météorologiques. Ne touchez pas de paratonnerres ni d'objets métalliques. Utilisez toujours le produit comme indiqué dans ce manuel d'utilisation pour éviter les blessures.



REMARQUE: le produit répond aux exigences de la norme EN61000-3-11 et est soumis au branchement conditionnel au secteur. Consultez votre distributeur d'électricité pour obtenir des instructions sur le branchement du produit.

Branchez uniquement le produit sur le secteur si la résistance est inférieure à 0,28 Ω . Consultez votre distributeur d'électricité pour obtenir le point d'interface de la résistance du système.

Si la résistance du secteur est plus élevée, de brèves chutes de tension peuvent se produire lorsque le produit est démarré. Cela peut affecter le fonctionnement d'autres produits ; les lampes peuvent par exemple scintiller.

- Assurez-vous que la tension d'alimentation, des fusibles et du secteur est identique à celle indiquée sur la plaque signalétique du produit.
- Arrêtez toujours le produit avant de débrancher la prise de courant.
- N'utilisez pas le produit si le cordon ou la prise est endommagé(e). Confiez-le à un centre de service homologué pour réparation. Un câble endommagé peut provoquer des blessures très graves, voire mortelles.
- Utilisez le cordon correctement. N'utilisez pas le cordon pour déplacer, tirer ou débrancher le produit. Tenez la fiche pour débrancher le câble d'alimentation.
- N'utilisez pas le produit dans un trou d'eau suffisamment profond pour mouiller l'équipement du

produit. L'équipement peut être endommagé et le produit peut être mis sous tension et causer des blessures.

- N'ajoutez pas plus d'humidité au produit que celle fournie par le système d'eau. Ne laissez pas le produit entrer en contact avec la pluie. L'eau qui pénètre dans un outil électrique augmente le risque de choc électrique.
- Le cordon d'alimentation doit toujours être débranché lorsque vous branchez ou débranchez la connexion du câble du moteur et du boîtier électrique.

Instructions pour produit mis à la terre



AVERTISSEMENT: un mauvais branchement peut provoquer un choc électrique. Consultez un électricien agréé si vous n'êtes pas certain que votre prise secteur soit correctement mise à la terre.

Ne modifiez pas la prise de courant par rapport à ses spécifications d'usine. Si la fiche ou le cordon d'alimentation est endommagé ou doit être remplacé, contactez votre atelier spécialisé Husqvarna. Respectez la législation et les réglementations locales.

Si vous n'avez pas bien compris les instructions de mise à la terre du produit, consultez un électricien homologué.

Utilisez uniquement des rallonges extérieures mises à la terre avec des fiches de mise à la terre et une prise de mise à la terre acceptant la fiche d'alimentation du produit.

Le produit est équipé d'un cordon d'alimentation de mise à la terre et d'une prise de courant. Branchez systématiquement le produit sur une prise secteur mise à la terre. Cela réduit le risque de choc électrique.

N'utilisez pas d'adaptateurs électriques avec le produit.

Rallonges

- Utilisez uniquement des rallonges homologuées d'une longueur suffisante.
- La valeur nominale sur la rallonge doit être identique ou supérieure à celle indiquée sur la plaque signalétique du produit.
- Utilisez des câbles de rallonge mis à la terre.
- Lorsque vous utilisez l'outil à l'extérieur, utilisez une rallonge adaptée à un usage extérieur. Cela réduit le risque de choc électrique.
- Maintenez la connexion de la rallonge au sec et au-dessus du sol.
- Maintenez la rallonge à l'écart de la chaleur, d'huile, de bords tranchants ou de pièces en mouvement. Un câble endommagé augmente le risque de choc électrique.

- Assurez-vous que la rallonge est en bon état et non endommagée.
- N'utilisez pas la rallonge lorsqu'elle est enroulée. Cela peut entraîner une surchauffe de la rallonge.
- Assurez-vous que la rallonge est derrière vous et derrière le produit lorsque vous utilisez le produit. Cela empêche toute dégradation de la rallonge.

Dispositifs de sécurité sur le produit

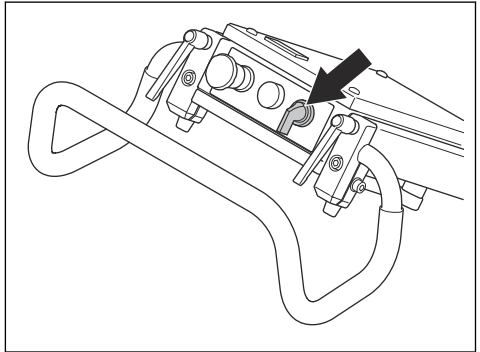


AVERTISSEMENT: lisez les instructions qui suivent avant d'utiliser le produit.

- N'utilisez pas un produit dont les dispositifs de sécurité sont endommagés ou ne fonctionnent pas correctement.
- Contrôlez les dispositifs de sécurité régulièrement. Si les dispositifs de sécurité sont endommagés ou ne fonctionnent pas correctement, contactez votre atelier spécialisé Husqvarna.
- N'apportez pas de modifications aux dispositifs de sécurité.

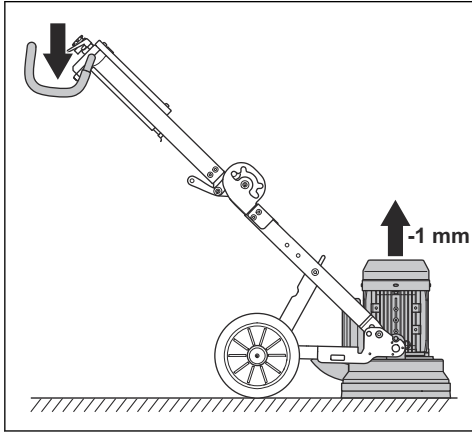
Interrupteur de marche/arrêt

L'interrupteur marche/arrêt permet de faire démarrer et d'arrêter le produit.

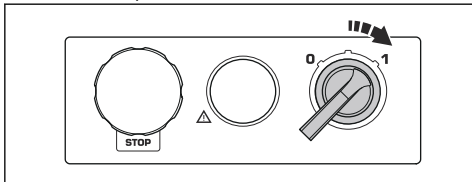


Pour contrôler l'interrupteur Marche/Arrêt

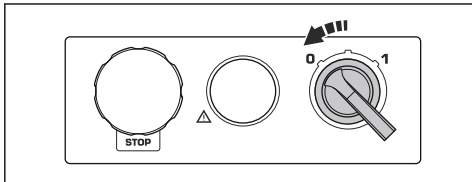
1. Abaissez la poignée pour soulever la tête de ponçage du sol. La pression entre la tête de ponçage et le sol diminue.



2. Placez l'interrupteur Marche/Arrêt sur 1 pour faire démarrer le produit.

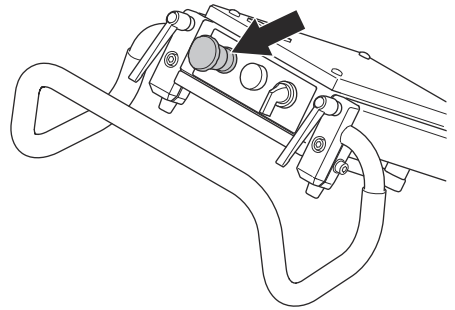


3. Patientez 5 secondes pour laisser le produit atteindre le régime de ralenti.
4. Placez l'interrupteur Marche/Arrêt sur 0 pour arrêter le produit.



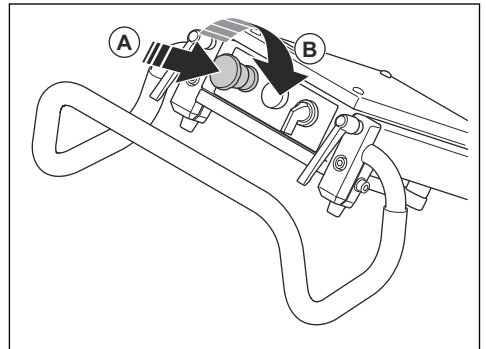
Arrêt d'urgence

L'arrêt d'urgence permet d'arrêter rapidement le moteur. L'arrêt d'urgence du produit coupe l'alimentation électrique du secteur.



Pour contrôler l'arrêt d'urgence

1. Appuyez sur le bouton d'arrêt d'urgence (A) et assurez-vous que le moteur s'arrête.



2. Tournez le bouton d'arrêt d'urgence dans le sens des aiguilles d'une montre (B) pour le désengager.

Instructions de sécurité pour l'entretien



AVERTISSEMENT: lisez les instructions qui suivent avant d'utiliser le produit. Conservez tous les avertissements et toutes les instructions pour toute opération ultérieure.

- Assurez-vous que toutes les pièces sont en bon état et que toutes les fixations sont correctement serrées.
- N'utilisez pas un produit endommagé ou qui ne fonctionne pas correctement. Effectuez les contrôles de sécurité, d'entretien et de maintenance indiqués dans ce manuel. Toutes les autres tâches d'entretien doivent être effectuées par un atelier d'entretien agréé.
- Arrêtez le produit et débranchez la fiche d'alimentation lorsque vous remplacez les outils diamantés. Placez l'interrupteur Marche/Arrêt sur 0.
- Effectuez l'inspection et/ou l'entretien avec le moteur arrêté et la fiche d'alimentation débranchée.

- Effectuez l'entretien pour vous assurer que le produit fonctionne correctement. Reportez-vous à *Entretien quotidien* à la page 64.

Utilisation

Introduction

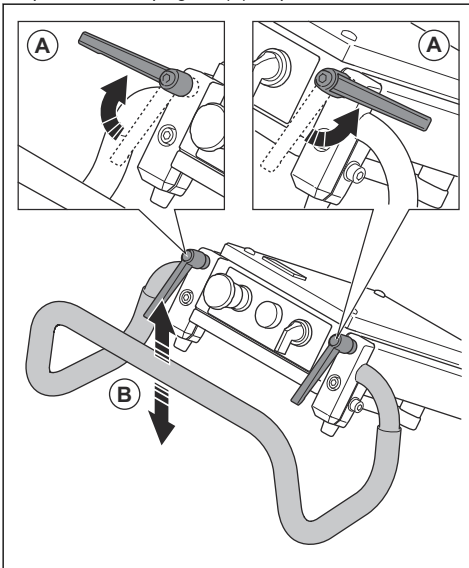


AVERTISSEMENT: Avant d'utiliser le produit, vous devez lire et comprendre le chapitre sur la sécurité.

Pour régler le guidon

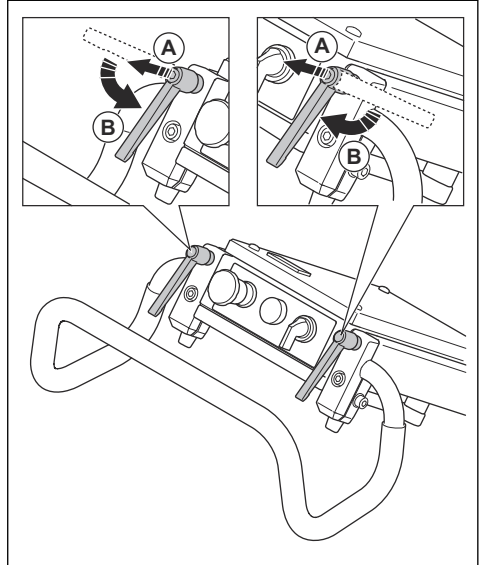
Les boutons de verrouillage de la poignée tournent dans le sens des aiguilles d'une montre et dans le sens contraire des aiguilles d'une montre, et peuvent être placés en position neutre.

1. Desserrez les boutons de verrouillage (A) et positionnez la poignée (B) en position neutre.



2. Serrez les boutons de verrouillage pour régler la position.

3. Lorsque la position de la poignée est réglée, tirez les boutons de verrouillage de la poignée vers le haut (A) et mettez-les en position neutre (B).



Hauteurs du guidon

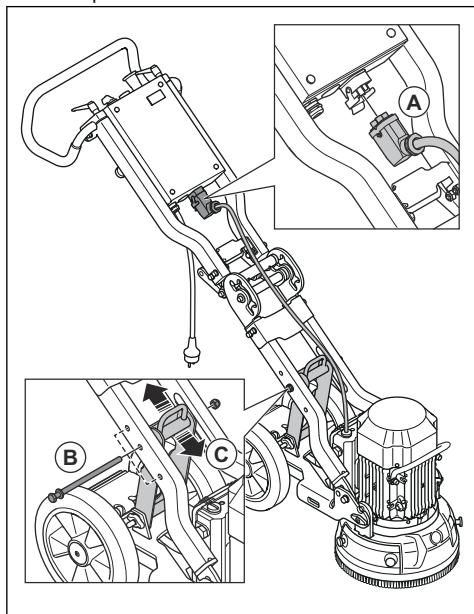
Position du guidon	Hauteur du guidon PG 280 S	Hauteur du guidon PG 280
Position supérieure maximale, mm/po	1120/44	835/33
Position horizontale, mm/po	935/37	925/36
Position inférieure maximale, mm/po	750/30	1000/39

Pour régler la hauteur du cadre

L'angle du cadre peut être modifié pour répartir le poids du cadre. Cela permet de réduire ou d'augmenter la pression de meulage sur la surface.

Réglez l'angle pour configurer une position de travail agréable pour différents opérateurs.

1. Débranchez le câble du moteur (A) du boîtier électrique.



2. Retirez le bouton de verrouillage (B).
3. Sélectionnez la position (C) correspondant à l'utilisation et placez le bouton de verrouillage (B) dans le trou approprié. Le trou inférieur augmente la pression de meulage et la hauteur du guidon. Le trou supérieur diminue la pression de meulage et la hauteur du guidon.

Pression de meulage

Reportez-vous aux tableaux de la pression de meulage sur la surface pour chaque position de trou.

Basse, kg/lb	Centrale, kg/lb	Haute, kg/lb
23/51	25/55*	27/60
Avec contrepoids en option		
17/37	20/44*	23/51
*Réglage d'usine		

Outils diamantés

De nombreux types d'outils diamantés sont disponibles pour le produit. Consultez votre centre d'entretien homologué ou rendez-vous sur www.husqvarnacp.com pour choisir le bon outil diamanté.

Installation des outils diamantés

L'installation des outils diamantés sur la plaque de l'outil a des conséquences sur les performances de l'outil. Le

type d'outil diamanté et le nombre de segments qu'il contient sont des facteurs importants.

Utilisez des outils diamantés à liant métallique à 2 segments pour les opérations de meulage habituelles, pour mettre la surface à niveau ou pour un enlèvement léger de matière.

Utilisez les outils diamantés à liant métallique à 1 segment en diamant pour augmenter la pression de l'outil diamanté. Cette installation convient aux travaux d'enlèvement intensif avec une force importante.

Pour l'enlèvement le plus intensif, nous vous recommandons d'utiliser des outils qui fonctionnent uniquement dans un sens avec des extrémités supérieures en diamant PCD.

Remarque: les outils PIRANHA™ sont conçus pour fonctionner dans un seul sens.

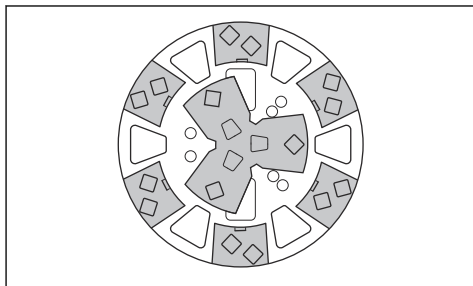
Segments diamantés à liant métallique

Remarque: Husqvarna recommande d'utiliser la configuration à 2 segments.

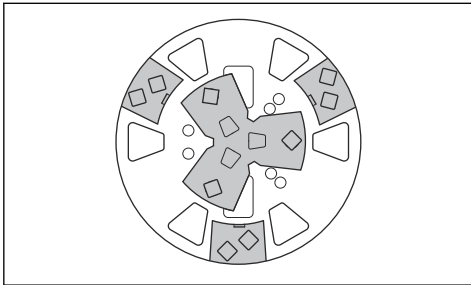
La configuration des segments diamantés sur la ponceuse aura une influence sur les performances. La configuration a un effet sur la vitesse de fonctionnement du produit et la qualité finale de la surface.

Plusieurs configurations d'outils diamantés peuvent être utilisées sur le produit.

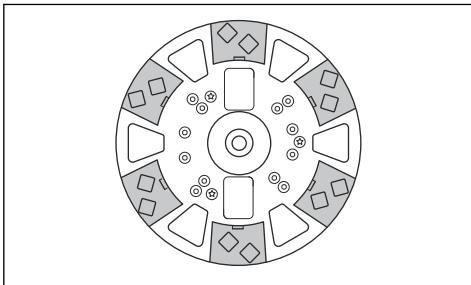
- Pour PG 280 : kit complet - rangée intérieure et extérieure. Retrait en douceur des surfaces.



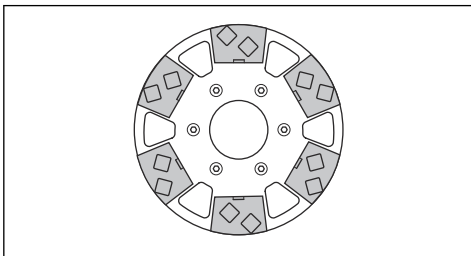
- Pour PG 280 : kit partiel - rangée intérieure et extérieure. Retrait efficace des surfaces planes.



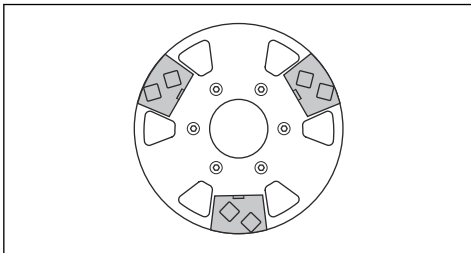
- Pour PG 280 : kit partiel - rangée extérieure. Retrait efficace et ciblé des surfaces.



- Pour PG 280 S : kit complet - rangée extérieure. Retrait efficace et ciblé des surfaces.



- Pour PG 280 S : kit partiel - rangée extérieure. Retrait très agressif et ciblé des surfaces.



Sélectionnez la configuration diamants à liant résine adéquate pour votre application

Ce tableau inclut les configurations de base des segments diamantés à liant résine.

Surface	Kit complet - rangée extérieure	Kit partiel - rangée extérieure
Polissage du terrazzo ou de dalles en pierre	X	
Création d'une nouvelle surface sur le terrazzo ou les dalles en pierre		X
Polissage de la surface des sols en béton - béton dur		X
Polissage de la surface des sols en béton - béton moyennement dur		X
Polissage de la surface des sols en béton - béton tendre		X

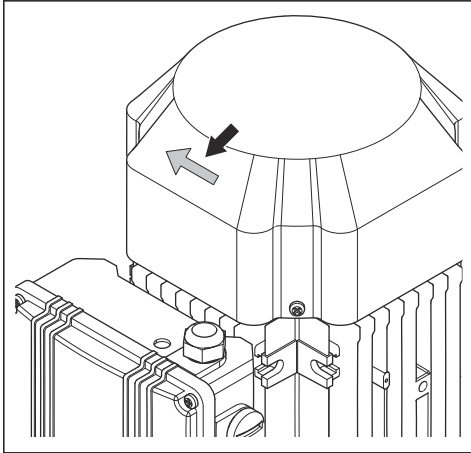
À faire avant d'utiliser le produit

1. Lisez attentivement le manuel d'utilisation et assurez-vous de bien comprendre les instructions.
2. Effectuez l'entretien quotidien. Reportez-vous à *Entretien quotidien à la page 64*.
3. Assurez-vous que le produit est correctement monté et qu'il n'est pas endommagé.
4. Placez le produit sur la zone de travail.
5. Assurez-vous qu'il y a des outils diamantés sur la plaque de l'outil et qu'ils sont bien fixés.
6. Branchez l'extracteur de poussière sur le produit. Reportez-vous à *Pour brancher un extracteur de poussière à la page 64*.
7. Réglez le guidon pour définir la hauteur de travail nécessaire.
8. Assurez-vous que le câble du moteur est connecté au boîtier électrique avant de brancher le produit sur une prise électrique.
9. Branchez la prise de courant sur la prise secteur.
10. Assurez-vous de savoir dans quel sens le moteur tourne.
11. Pour PG 280, tournez le bouton d'arrêt d'urgence dans le sens des aiguilles d'une montre pour vous assurer qu'il est désengagé.

Vérification du sens de rotation du moteur PG 280

1. Faites démarrer le produit. Reportez-vous à *Démarrage du produit à la page 61*.

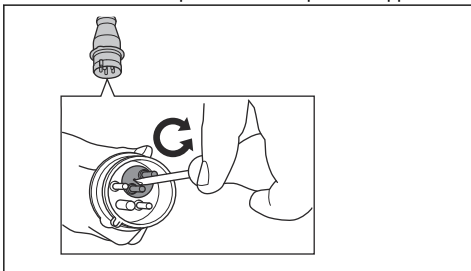
2. Au bout de quelques secondes, arrêtez le produit. Reportez-vous à *Arrêt du produit à la page 61*.
3. Assurez-vous que le sens de rotation du moteur est correct. Le sens correct est indiqué par une flèche sur le dessus du couvercle du ventilateur.



4. Si nécessaire, changez le sens de rotation du moteur. Reportez-vous à *Pour modifier le sens de rotation du moteur (triphase uniquement) - PG 280 à la page 61*.

Pour modifier le sens de rotation du moteur (triphase uniquement) - PG 280

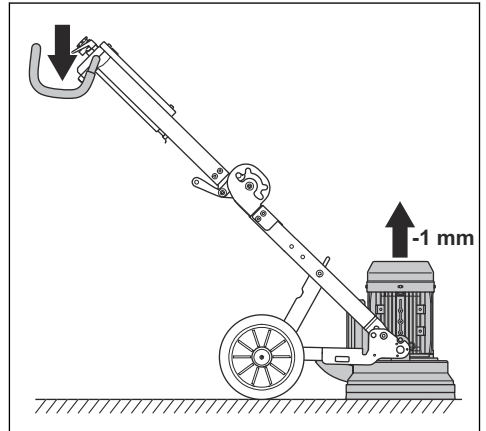
1. Placez l'interrupteur Marche/Arrêt sur 0 pour arrêter le moteur. Reportez-vous à *Arrêt du produit à la page 61*.
2. Attendez que le produit soit totalement arrêté.
3. Débranchez la rallonge électrique de la fiche d'alimentation du produit.
4. Placez le commutateur inverseur de la fiche d'alimentation du produit dans la position opposée.



5. Branchez le cordon d'alimentation et vérifiez le sens de rotation du moteur. Reportez-vous à *Vérification du sens de rotation du moteur PG 280 à la page 60*.

Démarrage du produit

1. Abaissez légèrement le guidon pour soulever la tête de ponçage à environ 1 mm de la surface. Cela permet de réduire la pression contre la surface. Ne levez pas complètement la tête de ponçage de la surface.



2. Placez l'interrupteur Marche/Arrêt sur 1 pour faire démarrer le produit. En moins de 5 secondes, le produit fonctionne au régime de ralenti. Reportez-vous à *Interrupteur de marche/arrêt à la page 56*.

Arrêt du produit



REMARQUE: Ne soulevez pas la plaque de l'outil de la surface lorsque vous arrêtez le moteur. La plaque de l'outil tourne pendant un moment après l'arrêt du moteur. La majeure partie de la poussière peut être soufflée dans l'air et la surface risque d'être endommagée.

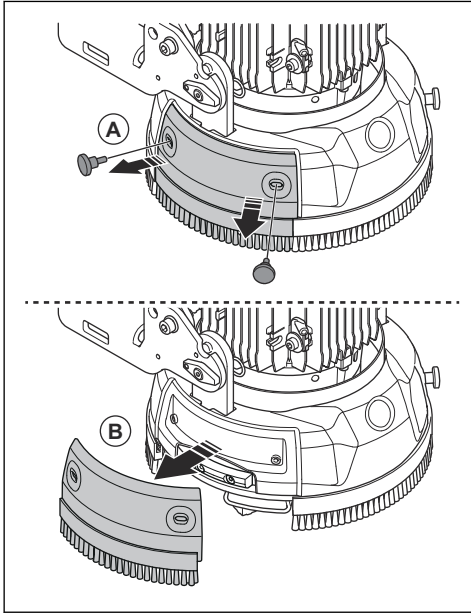


REMARQUE: Si vous poncez un matériau adhésif, de l'asphalte, de la peinture ou un matériau équivalent, soulevez légèrement l'avant du produit lorsque la plaque de l'outil s'arrête. Le produit peut coller à la surface adhésive s'il n'est pas soulevé.

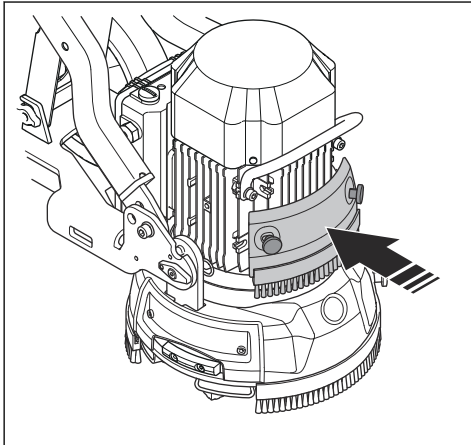
1. Placez l'interrupteur Marche/Arrêt sur 0 pour arrêter le moteur. Reportez-vous à *Interrupteur de marche/arrêt à la page 56*.
2. Maintenez la plaque de l'outil contre la surface. Assurez-vous que la plaque de l'outil ne tourne pas avant de soulever l'avant.
3. Débranchez la prise de courant.

Pour poncer un bord - PG 280

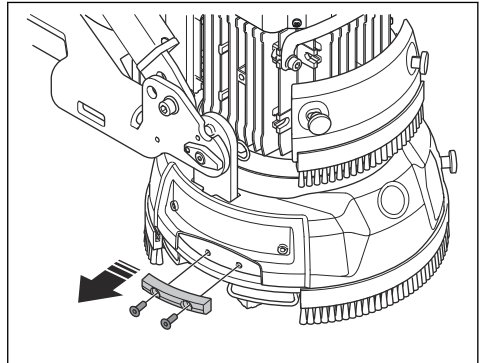
1. Retirez les vis (A) et la trappe (B).



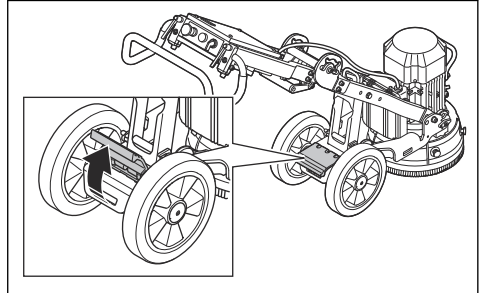
2. Fixez la trappe sur le support.



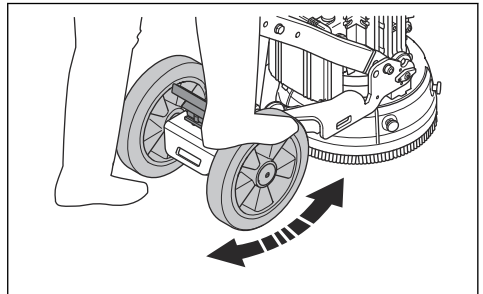
3. Une protection derrière la trappe évite d'endommager la paroi. Si nécessaire, retirez les 2 vis et la protection pour poncer à proximité de la paroi.



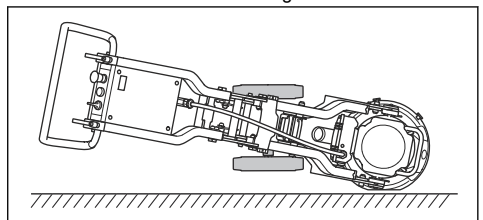
4. Levez la pédale.



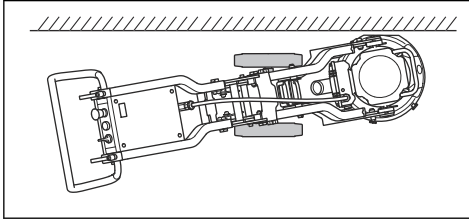
5. Réglez l'angle des roues avec votre pied.



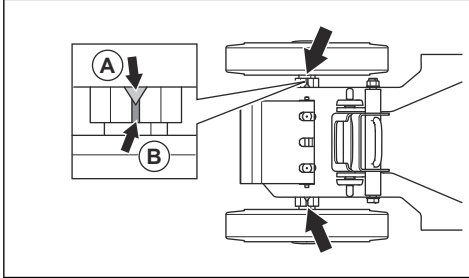
6. Si vous devez poncer sur le côté droit, les roues doivent être orientées vers la gauche.



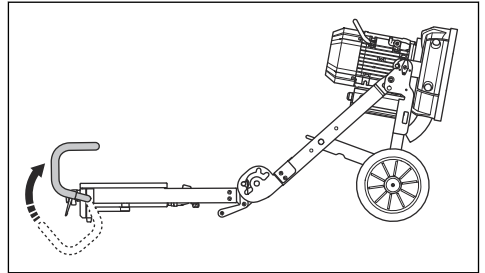
7. Si vous devez poncer sur le côté gauche, les roues doivent être orientées vers la droite.



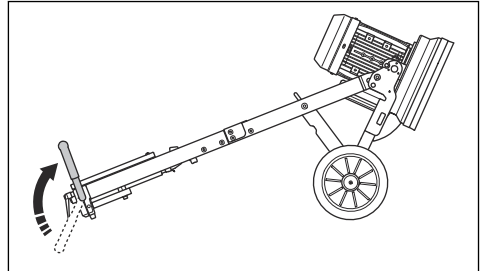
8. Pour aller en ligne droite, alignez le repère rouge sur l'axe de roue (A) sur le repère rouge sur le cadre (B).



- a) Pour PG 280



- b) Pour PG 280 S



Pour remplacer les outils diamantés



AVERTISSEMENT: Débranchez la fiche d'alimentation électrique.



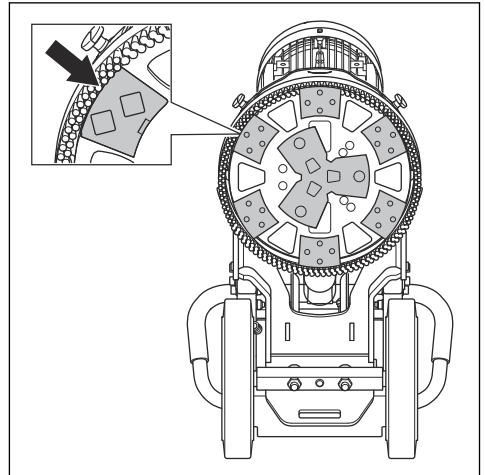
AVERTISSEMENT: Les outils diamantés peuvent devenir très chauds. Utilisez des gants de protection.

1. Placez l'interrupteur Marche/Arrêt sur 0 et débranchez la prise de courant pour arrêter le produit. Reportez-vous à *Arrêt du produit à la page 61*.
2. Appuyez sur le bouton d'arrêt d'urgence.
3. Placez le produit en position d'entretien.

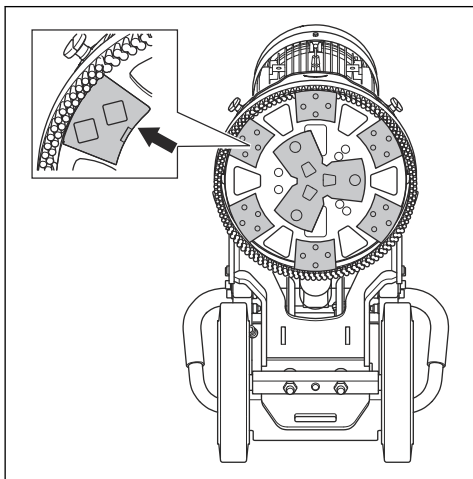


REMARQUE: Placez le produit en position d'entretien uniquement sur une surface horizontale.

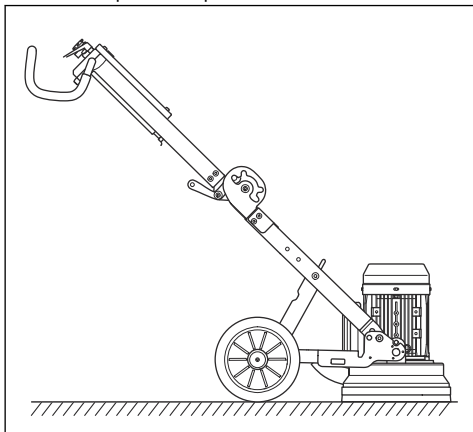
4. Utilisez un marteau pour retirer les outils diamantés.



5. Fixez les outils diamantés neufs sur la plaque de l'outil.



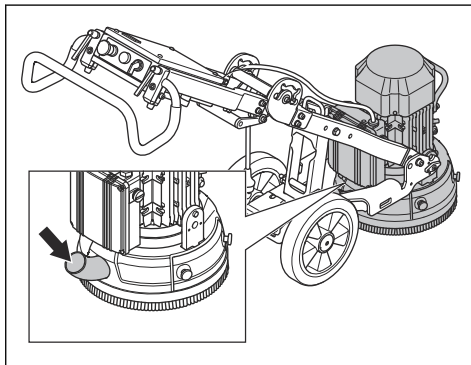
6. Placez le produit en position de fonctionnement.



Pour brancher un extracteur de poussière

Utilisez un système extracteur de poussière Husqvarna.

1. Branchez l'extracteur de poussière sur le produit. Utilisez une buse de 50 mm.



2. Assurez-vous que les filtres de l'extracteur de poussière sont en bon état et propres. Surveillez la poussière pendant le fonctionnement.

Entretien

Introduction



AVERTISSEMENT: Avant d'effectuer des travaux d'entretien, vous devez lire et comprendre le chapitre sur la sécurité.

Une formation spécifique est nécessaire pour effectuer tous les travaux d'entretien et de réparation du produit. Nous garantissons qu'il vous est possible d'obtenir des services de réparation et d'entretien effectués par des professionnels. Si votre revendeur n'est pas un atelier spécialisé, demandez-lui des informations à propos de l'atelier spécialisé le plus proche.

Pour des informations plus détaillées, reportez-vous à www.husqvarnacp.com.

Entretien quotidien

L'entretien quotidien signifie que vous nettoyez le produit. Vous devez également contrôler l'alimentation électrique, la brosse et le pouppet de meulage.

Nettoyage du produit



REMARQUE: une prise d'air obstruée réduit les performances du produit et peut provoquer une surchauffe du moteur.

- Débranchez toujours la prise de la prise secteur avant de nettoyer, de procéder à l'entretien ou de monter le produit.
- Nettoyez toujours la totalité de l'équipement à la fin du jour ouvrable. N'utilisez pas de nettoyeur haute pression pour nettoyer le produit.
- Effectuez toujours l'entretien sur un sol plat.
- Éliminez toute obstruction de toutes les prises d'air. Le produit doit être toujours suffisamment frais.

Pour contrôler l'alimentation électrique



AVERTISSEMENT: n'utilisez pas de câbles endommagés. Un câble endommagé peut provoquer des blessures graves ou mortelles.

- Assurez-vous que le cordon d'alimentation et la rallonge sont en bon état et fonctionnent correctement.
- N'utilisez pas le produit si le cordon d'alimentation est endommagé. Faites réparer le produit par un centre d'entretien homologué.

Pour contrôler la brosse

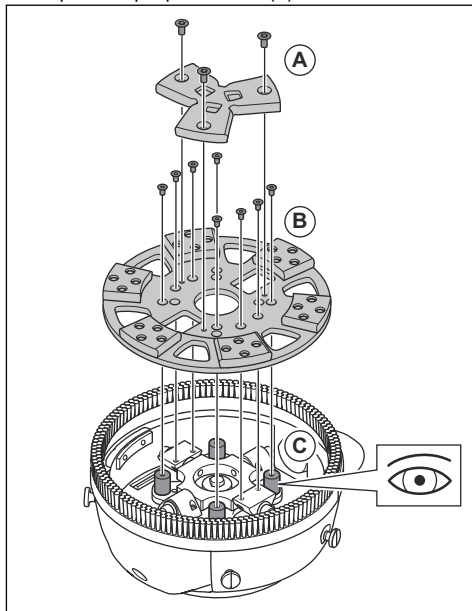
- Assurez-vous que la brosse est complète.
- Assurez-vous que la brosse touche la surface.

Pour contrôler le support de ponçage



REMARQUE: L'état du support de ponçage est important pour les performances et la sécurité.

1. Déposez la plaque de l'outil (A).



2. Examinez le support de ponçage pour détecter des dommages et des signes d'usure des cylindres en caoutchouc (B).
3. Remplacez les cylindres en caoutchouc si nécessaire.

Dépannage

Le produit ne démarre pas

- Assurez-vous que l'alimentation électrique et les cordons d'alimentation ne sont pas endommagés.
- Examinez le bouton d'arrêt d'urgence, tournez le bouton dans le sens des aiguilles d'une montre pour relâcher l'arrêt d'urgence.
- Examinez le témoin de surcharge. Si le témoin de surcharge est allumé, laissez le moteur refroidir pendant quelques minutes, jusqu'à ce que le produit soit automatiquement réinitialisé.

Difficulté à tenir le produit

- Il n'y a pas assez d'outils diamantés installés sur le produit.
- Le type sélectionné d'outil diamanté n'est pas adapté à la surface.
- Le moteur consomme beaucoup de courant pour assurer le fonctionnement.
- Utilisez le nombre d'outils diamantés recommandé pour diminuer la force exercée sur le produit et

l'opérateur. Reportez-vous à la section *Segments diamantés à liant métallique* à la page 59.

Mouvements brutaux du produit

- Assurez-vous que tous les outils diamantés sont correctement installés et que tous sont à la même hauteur.

Le produit s'arrête soudainement.

- En cas de surcharge du produit, la protection contre les surcharges s'engage et arrête le moteur.
- Appuyez sur la protection contre les surcharges pour réinitialiser le produit. Le produit doit refroidir avant de pouvoir le redémarrer à l'aide de l'interrupteur Marche/Arrêt.
- Assurez-vous que les rallonges ne sont pas trop longues.

Arrêt du produit au démarrage

La tension d'alimentation doit être correcte pour assurer les bonnes performances du moteur. Des rallonges

trop longues et/ou d'un calibre trop petit diminuent la puissance du moteur pendant le fonctionnement.

- En cas de surcharge du moteur, appuyez sur la protection contre les surcharges. Si le problème demeure, contactez un atelier d'entretien agréé.
- Assurez-vous que les rallonges ne sont pas trop longues.

- En cas de surcharge du moteur, le témoin de surcharge s'allume. Patientez 2 minutes, puis essayez à nouveau. Si le problème demeure, contactez un atelier d'entretien agréé.

Transport et stockage

Transport du produit

- Sécurisez le produit lors de son transport pour éviter tout dommage ou accident.
- Placez une protection sur le produit pendant le transport. La protection permet que le produit n'entre pas en contact avec des éléments naturels, comme la pluie et la neige.
- Le produit peut être divisé en 2 composants. Cela facilite le transport.
- Utilisez l'anneau de levage fixé sur le produit pour le soulever et le déplacer.

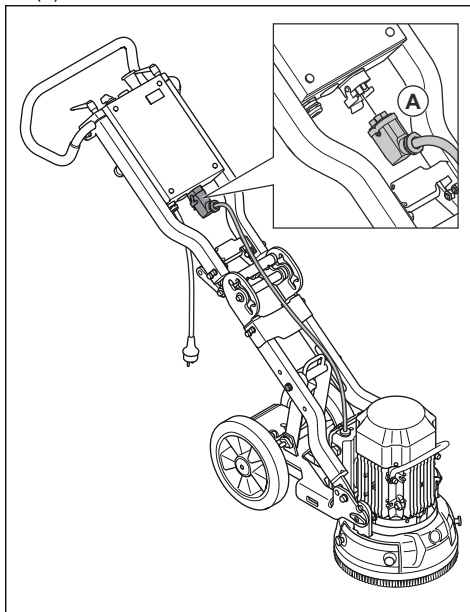
Pour régler le produit en position de transport - PG 280

Placez une protection sur le produit pendant le transport. La protection permet que le produit n'entre pas en contact avec des éléments naturels, comme la pluie et la neige.

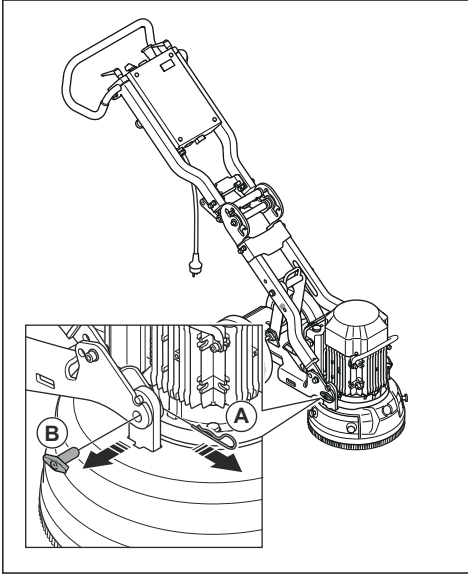
Le produit peut être divisé en 2 composants. Cela facilite le transport.

Déplacez toujours le produit avec l'anneau de levage et le guidon.

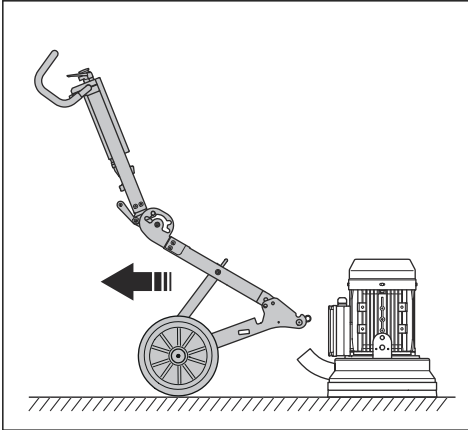
1. Débranchez le câble du moteur du boîtier électrique (A).



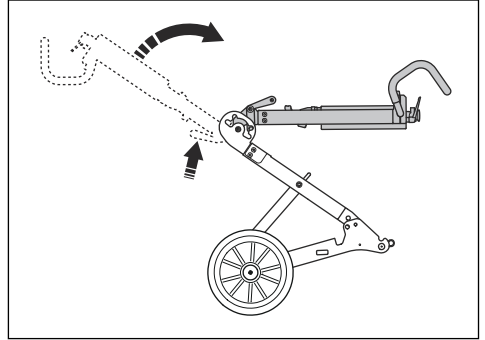
2. Tirez sur les goupilles de verrouillage (A) pour les extraire et retirez les boulons de verrouillage (B) de chaque côté de la tête de ponçage.



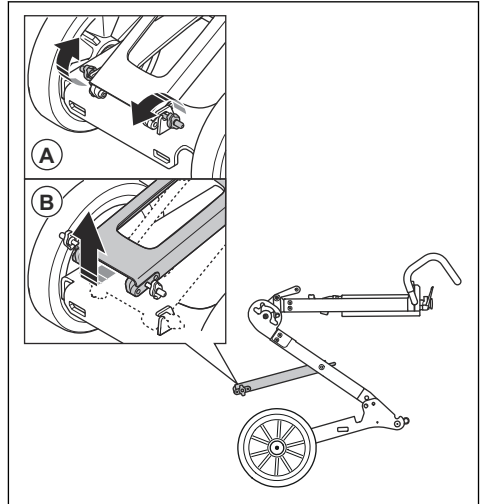
3. Retirez le châssis de roue de la tête de ponçage.



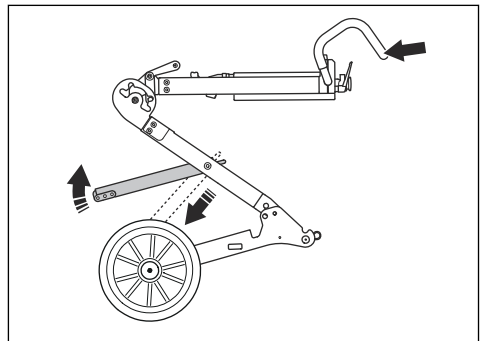
4. Poussez la poignée sur la charnière centrale et pliez simultanément le cadre supérieur vers l'avant. Le produit est en position relevée.



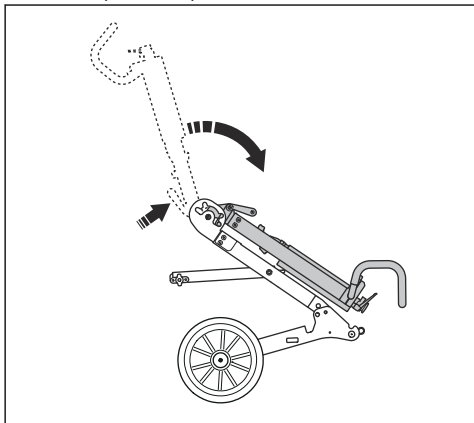
5. Retirez les boutons de verrouillage (A) pour desserrer le pied d'appui (B).



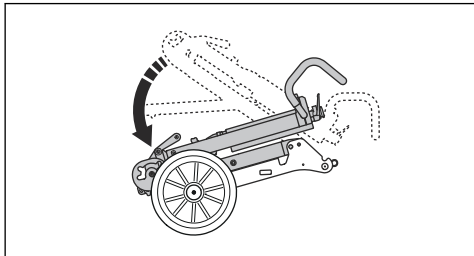
6. Maintenez le guidon pour assurer la stabilité du cadre et soulevez le pied d'appui vers l'extérieur et vers le haut.



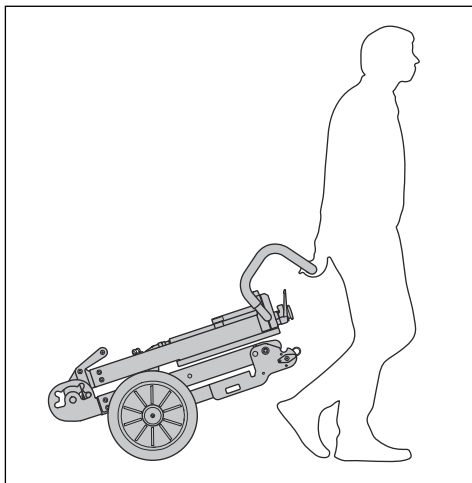
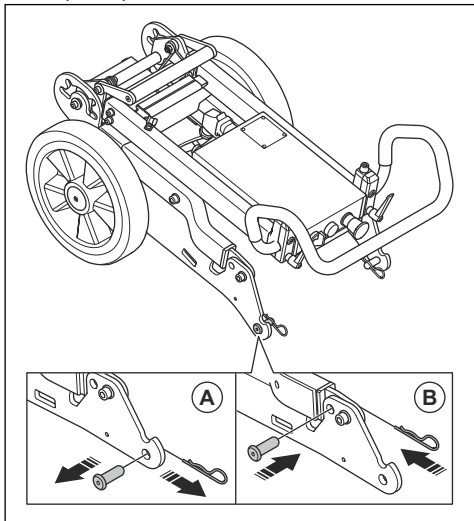
7. Tenez le guidon avec une main et poussez la poignée sur la charnière centrale. Le produit est ainsi en position repliée.



8. Pliez le produit avec précaution.

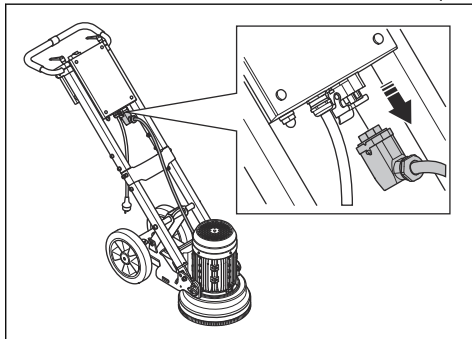


9. Placez la goupille de verrouillage et le boulon de verrouillage de la position (A) à la position (B) pour bloquer le produit.

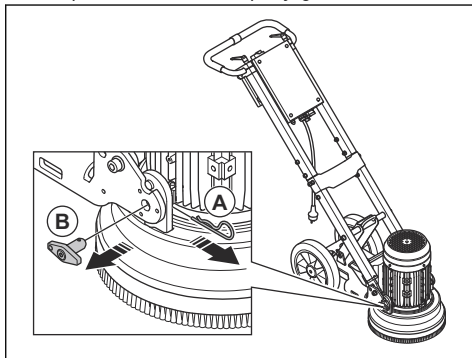


Pour régler le produit en position de transport - PG 280 S

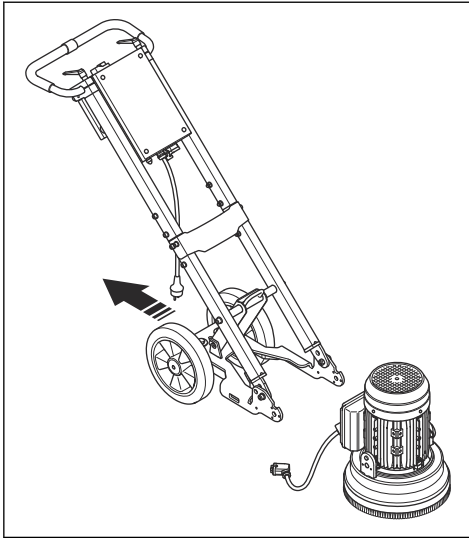
1. Débranchez le câble du moteur du boîtier électrique.



2. Tirez sur les goupilles de verrouillage (A) pour les extraire et retirez les boulons de verrouillage (B) de chaque côté de la tête de ponçage.

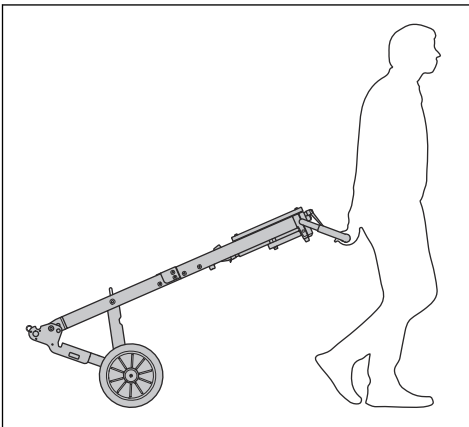
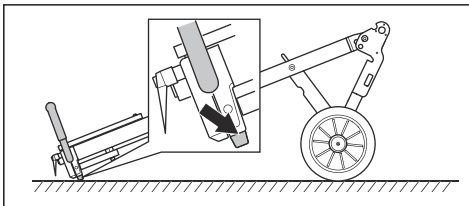


3. Retirez le châssis de roue de la tête de ponçage.



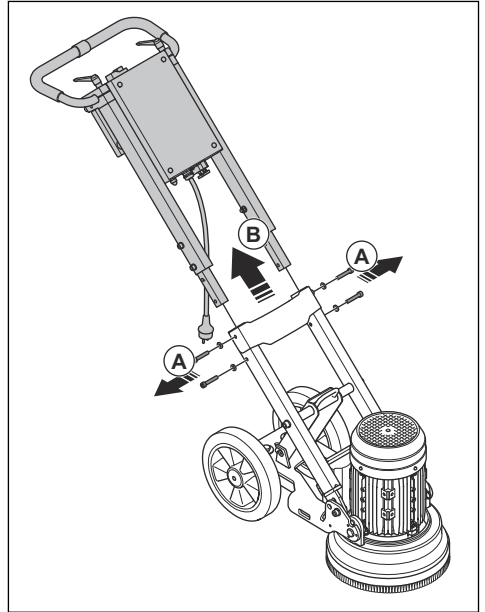
REMARQUE: Ne lâchez pas le châssis, car il risque de tomber.

4. Posez le châssis sur le sol avec le pare-chocs en caoutchouc comme support pour l'empêcher de tomber.



Pour démonter le châssis - PG 280 S

1. Retirez les vis (A) du châssis.

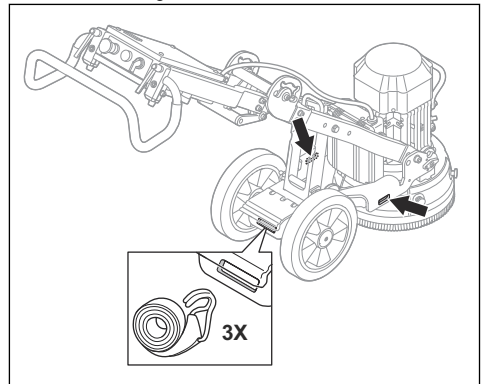


2. Retirez le châssis (B).

Pour fixer le produit à un véhicule pour le transport

Fixez le produit lors du transport afin d'éviter les accidents et d'endommager l'équipement. Le produit présente des trous permettant de faire passer des sangles pour fixer le produit sur le véhicule.

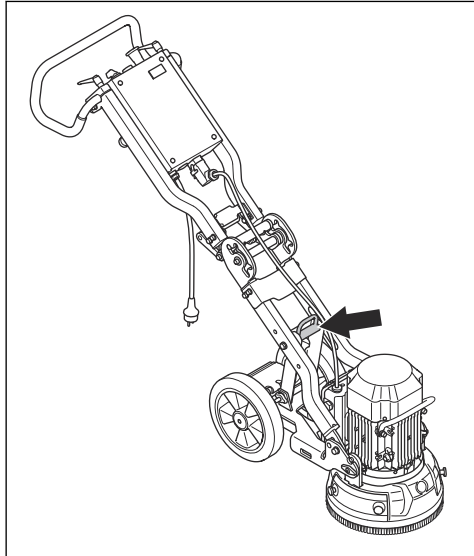
1. Passez la sangle dans les trous.



2. Fixez la sangle sur le véhicule et serrez-la.

Pour lever le produit

1. Utilisez l'anneau de levage pour soulever le produit.



2. Assurez-vous que le produit est équilibré avant de le soulever. Faites-vous aider par quelqu'un pour soulever le produit.

Stockage du produit

- Le produit doit être remis à l'intérieur uniquement.
- Conservez le produit dans un endroit verrouillé afin que des enfants ou personnes qui ne sont pas autorisées à l'utiliser ne puissent pas y avoir accès.
- Conservez le produit dans un endroit sec et à l'abri du gel.

Caractéristiques techniques

Caractéristiques techniques

PG 280	Courant monphasé, 220-240 V			Courant monphasé, 100-120 V	
	50 Hz	50 Hz	60 Hz	50 Hz	60 Hz
Moteur	50 Hz	50 Hz	60 Hz	50 Hz	60 Hz
Puissance du moteur, kW	2,2	1,6	2,2	1,1	1,1
Intensité nominale, A	13,4	9	13	14	13,4
Tension nominale, V	220-240	220-240	220-240	100-120	100-120
Poids, kg	73	71	73	73	75
Largeur de ponçage, mm	280	280	280	280	280
Pression de ponçage, kg	23	25	25	25	25
Vitesse de rotation de la plaque de l'outil, tr/min	1410	1450	1730	940	1150

Caractéristiques techniques

PG 280 S	Courant monophasé, 220-240 V	
Moteur	50 Hz	60 Hz
Puissance du moteur, kW	2,2	2,2
Intensité nominale, A	12,5	11,4
Tension nominale, V	220-240	220-240
Poids, kg	77	77
Largeur de ponçage, mm	280	280
Pression de ponçage, kg	25	25
Vitesse de rotation de la plaque de l'outil, tr/min	1446	1759

Niveaux sonores

Élément	Unité	Valeur
Émissions sonores ⁷		
Niveau de puissance sonore L_{WA} (mesuré)	dB (A)	90
Niveaux sonores ⁸		
Niveau de pression sonore à l'oreille de l'utilisateur	dB (A)	74,1
Niveaux de vibrations ⁹		
Poignée droite	m/s ²	2,39
Poignée gauche	m/s ²	2,72

⁷ Émissions sonores dans l'environnement mesurées en tant que puissance acoustique conformément à la norme EN 60335-2-72. Mesure d'incertitude attendue : 2,5 dB(A).

⁸ Niveau de pression sonore conformément à la norme EN 60335-2-72. Mesure d'incertitude attendue : 4 dB(A).

⁹ Niveau de vibrations conformément à la norme EN 60335-2-72. Les données reportées pour le niveau de vibrations montrent une dispersion statistique typique (déviations standard) de 1 m/s²

Déclaration de conformité

Déclaration de conformité CE

Nous, Husqvarna AB, SE-561 82 Huskvarna, Suède,
tél. : +46-36--146500, déclarons sous notre entière
responsabilité que le produit :

Description	Équipement de poissage et de ponçage
Marque	Husqvarna
Type/Modèle	PG 280 S, PG 280
Identification	Numéros de série à partir de 2022 et ultérieurs

est entièrement conforme à la réglementation et aux
directives de l'UE suivantes :

Directive/Réglementation	Description
2006/42/EC	« relative aux machines »
2014/30/EU	« relative à la compatibilité électromagnétique »
2011/65/EU	« relative à la limitation de l'utilisation de certaines substances dangereuses »

et que les normes harmonisées et/ou les spécifications
techniques sont appliquées comme suit :



EN ISO 12100:2010

EN 60335-2-72:2012

EN 55014-1:2017

EN 55014-1:2021

EN 60335-1:2012+A11:2014+A13:2017

EN IEC 63000:2018

Partille, 2022-10-11

A handwritten signature in black ink, appearing to read 'Martin Huber', with a long horizontal line extending from the end of the signature.

Martin Huber

Directeur R&D, surfaces et sols en béton

Husqvarna AB, division Construction

Responsable de la documentation technique

Inhoud

Inleiding.....	73	Probleemoplossing.....	88
Veiligheid.....	77	Transport en opslag.....	89
Werking.....	81	Technische gegevens.....	93
Onderhoud.....	87	Verklaring van overeenstemming.....	95

Inleiding

Productbeschrijving

Het product is een elektrische schuurmachine voor betonnen oppervlakken van verschillende hardheid. Het schuurbereik varieert van ruwe oppervlakken tot een gladdere afwerking.

Het product heeft bijvoorbeeld deze functies:

- Een schuurkopafdekking die wordt aangepast aan de beweging over de oppervlaktelaag.

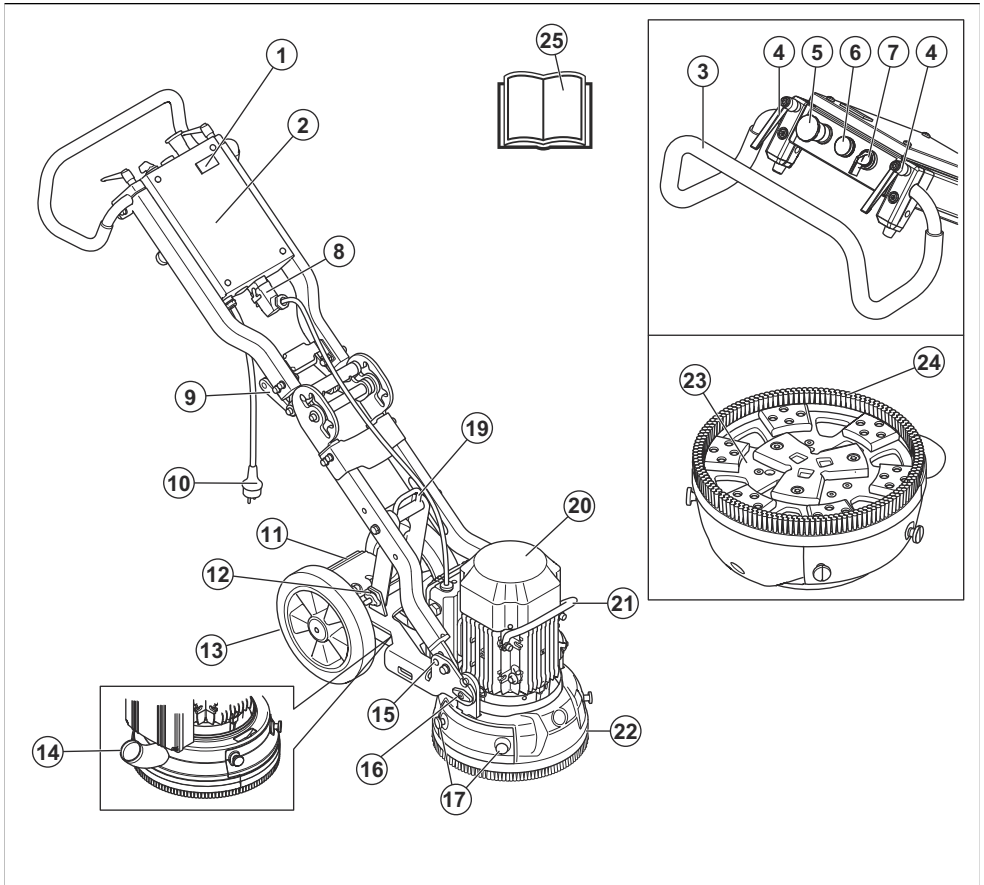
- Een schuuroppervlak van 280 mm.

Gebruik

Het product wordt gebruikt voor het schuren van beton en andere soorten harde vloeren. Gebruik het product alleen op droge oppervlakken.

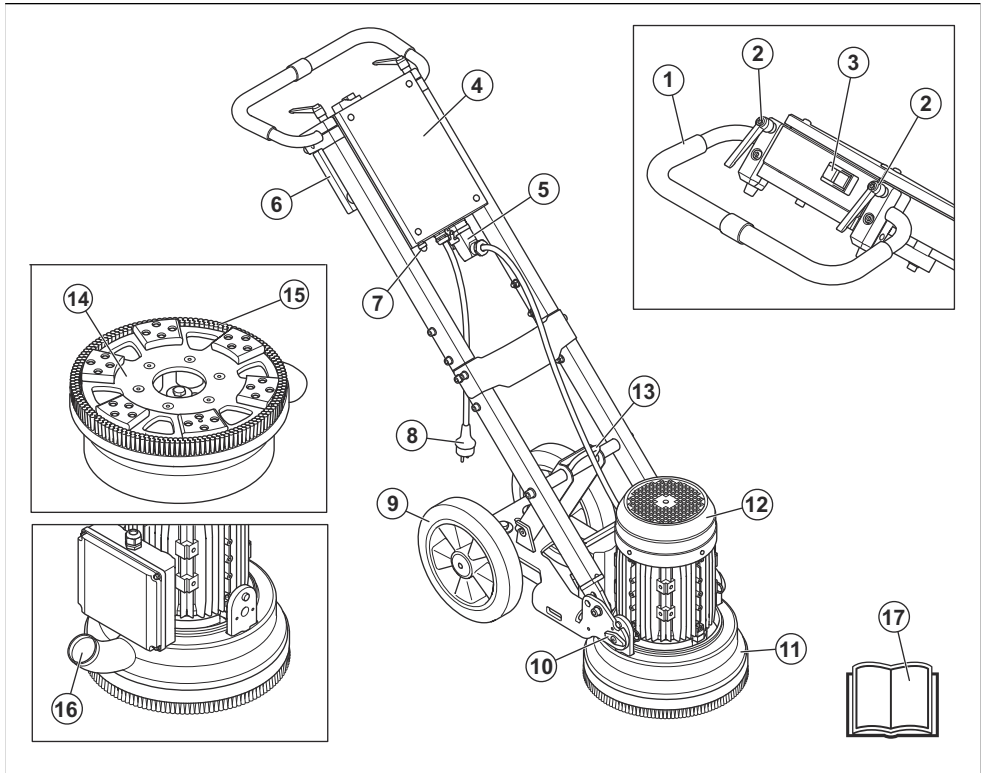
Het product wordt voor commerciële toepassingen gebruikt door professionele gebruikers. Gebruik het product niet voor andere taken.

Productoverzicht PG 280



- | | |
|---|---|
| 1. Urenteller | 14. Aansluiting, vacuümslang |
| 2. Controlekast | 15. Vergrendelingsfunctie |
| 3. Handgreep/stuur | 16. Borgbout voor het bevestigen van de motor/
schuurkop |
| 4. Vergrendelknoppen voor stuurafstelling | 17. Schroeven voor randschuurklep |
| 5. Noodstop | 18. Randschuurklep |
| 6. Waarschuwingslampje voor overbelasting | 19. Hijsoog |
| 7. ON/OFF-schakelaar | 20. Elektromotor |
| 8. Aansluiting voor motorkabel | 21. Handgreepstang, motor |
| 9. Hendel voor hoekverbinding | 22. Schuurkopafdekking |
| 10. Voedingsstekker | 23. Schijfplaat |
| 11. Pedaal | 24. Borstelstrook |
| 12. Vergrendelingsknop | 25. Bedieningshandleiding |
| 13. Rubberwielen | |

Productoverzicht PG 280 S



1. Handgreep/stuur
2. Vergrendelknoppen voor stuurafstelling
3. ON/OFF-schakelaar
4. Controlekast
5. Aansluiting voor motorkabel
6. Contragewicht
7. Waarschuwingslampje voor overbelasting
8. Voedingsstekker
9. Rubberwielen
10. Borgbout voor het bevestigen van de motor/schuurkop
11. Schuurkopafdekking
12. Elektromotor
13. Hijssoog
14. Schijfplaat
15. Borstelstrook
16. Aansluiting, vacuümslang
17. Bedieningshandleiding

Symbolen op het product



WAARSCHUWING: Dit product kan gevaarlijk zijn en ernstig of fataal letsel toebrengen aan de gebruiker of anderen. Wees voorzichtig en gebruik het product op de juiste manier.



Lees de handleiding goed door en zorg dat u de instructies hebt begrepen voordat u het product gebruikt.



Gebruik gehoorbescherming, oogbescherming en ademhalingsbescherming. Zie *Persoonlijke beschermingsuitrusting op pagina 78*.



Het stof kan gezondheidsproblemen veroorzaken. Gebruik goedgekeurde ademhalingsbescherming. Zorg voor goede ventilatie.



Dit product voldoet aan de geldende EU-richtlijnen.



Dit product voldoet aan geldende VK-regelgeving.



Het product voldoet aan de geldende richtlijnen van de Euraziatische Douane-unie.



Chinees RoHS-symbool voor milieuvriendelijke gebruikperiode (Environment-Friendly Use Period, EUFP).



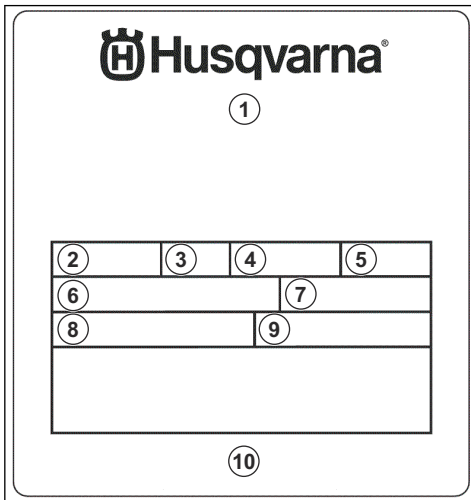
Label met geluidsemissies naar de omgeving conform de richtlijnen en voorschriften van de EU en het VK. Het gegarandeerde geluidsvermogensniveau van het product staat vermeld in *Technische gegevens op pagina 93* en op het label.



Het product mag niet worden verwerkt als huishoudelijk afval. Lever het in bij een erkende verwijderingslocatie voor elektrische en elektronische apparatuur.

Let op: Overige op het product aangebrachte symbolen/plaatjes verwijzen naar specifieke eisen aan certificering voor bepaalde markten.

Typeplaatje



1. Model
2. Nominale spanning, V
3. Nominale stroom, A
4. Vermogensoutput, kW
5. Motor, Hz
6. Schuuroppervlak, mm
7. Gewicht, kg
8. Productiejaar en serienummer
9. Productienummer
10. Adres fabrikant

Schade aan het product

We zijn niet verantwoordelijk voor schade aan ons product als:

- het product niet goed is gerepareerd.
- het product is gerepareerd met onderdelen die niet van de fabrikant afkomstig zijn, of onderdelen die niet zijn goedgekeurd door de fabrikant.
- het product een accessoire bevat dat niet afkomstig is van de fabrikant of niet is goedgekeurd door de fabrikant.
- het product niet is gerepareerd door een erkend servicepunt of door een erkende autoriteit.

Veiligheid

Veiligheidsdefinities

Waarschuwingen, voorzorgsmaatregelen en opmerkingen worden gebruikt om te wijzen op belangrijke delen van de handleiding.



WAARSCHUWING: Wordt gebruikt om te wijzen op de kans op ernstig of fataal letsel voor de gebruiker of omstanders wanneer de instructies in de handleiding niet worden gevolgd.



OPGELET: Wordt gebruikt indien er een risico bestaat op schade aan het product en andere eigendommen of aan de omgeving wanneer de instructies in de handleiding niet worden gevolgd.

Let op: Geven verdere informatie die nodig is in een bepaalde situatie.

Algemene veiligheidsinstructies



WAARSCHUWING: Lees de volgende waarschuwingen voordat u het product gaat gebruiken. Bewaar alle waarschuwingen en instructies. Raadpleeg de waarschuwingen en instructies indien nodig voor toekomstige werkzaamheden.

- In het hoofdstuk over veiligheid wordt uitgelegd hoe u het product correct kunt gebruiken. Deze informatie is echter geen alternatief voor professionele kennis en ervaring. Als u zich niet veilig voelt in een situatie, moet u de werkzaamheden stoppen en om professionele ondersteuning vragen. Neem contact op met uw dealer, een servicewerkplaats of een ervaren gebruiker. Voer geen werkzaamheden uit waarvoor u zich onvoldoende gekwalificeerd acht.
- Zorg dat het werkgebied schoon en goed verlicht is. Dit zal het risico op ongevallen verminderen.

Veiligheidsinstructies voor bediening



WAARSCHUWING: Lees de volgende waarschuwingen voordat u het product gaat gebruiken. Bewaar alle waarschuwingen en instructies voor later gebruik.



WAARSCHUWING: Overmatige blootstelling aan trillingen kan bloedvaten zenuwbeschadigingen veroorzaken

bijs personen met een verminderde bloedcirculatie. Consulteer een arts wanneer u symptomen heeft die wijzen op te grote blootstelling aan trillingen. Dergelijke symptomen zijn slapende vingers e.d., geen gevoel, 'kriebelend' gevoel, 'speldenprikken', pijn, geen of weinig kracht, huidverkleuringen of veranderingen van het huidoppervlak. Deze symptomen worden meestal waargenomen in de vingers, handen of polsen.

- Gebruik het product uitsluitend voor de werkzaamheden die in deze handleiding worden genoemd. Zie *Gebruik op pagina 73*.
- Maak altijd gebruik van persoonlijke beschermingsmiddelen. Zie *Persoonlijke beschermingsuitrusting op pagina 78*.
- Blijf in de buurt van het product wanneer de motor is ingeschakeld.
- Sluit de motorkabel aan op de controlekast voordat u de stekker aansluit.
- Laat andere gebruikers het product niet gebruiken als zij deze bedieningshandleiding niet hebben gelezen en begrepen.
- Start het product alleen als de borstelstrook is bevestigd. De borstelstrook moet stevig tegen het oppervlak aan drukken, vooral tijdens werkzaamheden op droge oppervlakken.
- Controleer of de borstelstrook onbeschadigd en schoon is. Vervang de borstelstrook als deze beschadigd is.
- Wanneer u de motor stopt, gaat u verder met schuren tot de ventilator volledig tot stilstand is gekomen.
- Til de schuurkop op als het noodzakelijk is om de startprocedure te controleren. Bevestig geen diamantgereedschappen tijdens de controle.
- Start het product alleen wanneer de schuurkop op het oppervlak is geplaatst.
- Gebruik het product niet in gebieden waar brand of explosies kunnen optreden.
- Demonteer het diamantgereedschap na alle werkzaamheden.
- Zorg dat de schijfplaat niet draait wanneer u het product optilt. De schijfplaat blijft nog enige tijd draaien nadat de motor is uitgeschakeld.
- Laat u het product afkoelen en gebruik veiligheidshandschoenen bij het verwijderen van de diamantgereedschappen. Diamantgereedschappen kunnen na gebruik zeer heet zijn.
- Zorg ervoor dat u het product aansluit op een stofzuiger om het stof te verwijderen.
- Controleer of het product correct is gemonteerd.
- Gebruik het hijssoog om het product te hijsen.

- Gebruik het product niet als er tekenen van schade zijn.
- Start het product alleen wanneer de schuurkop het oppervlak raakt, tenzij u een controle van de ON/OFF-schakelaar uitvoert.
- Bedien het product alleen van achteren, met beide handen op de handgreep.
- Gebruik het product alleen als u voorafgaand aan gebruik ervaring hebt opgedaan en training hebt ontvangen. Zorg ervoor dat alle gebruikers getraind worden.
- Laat de machine niet bedienen door personen die de instructies niet hebben gelezen.
- Houd personen met een lichamelijke of geestelijke beperking die het product gebruiken, altijd in de gaten. Er moet te allen tijde een verantwoordelijke volwassene aanwezig zijn.
- Zorg ervoor dat er zich alleen goedgekeurde personen in het werkgebied bevinden, anders bestaat er kans op ernstig letsel.
- Zorg ervoor dat er geen kleding, lang haar en juwelen vast komen te zitten in bewegende delen.
- Zorg ervoor dat u stabiel en veilig staat tijdens het gebruik.
- In situaties waar plotseling personen en dieren kunnen verschijnen, is veilig gebruik van het product niet mogelijk. Laat het product altijd zorgvuldig werken en sta klaar om het product te stoppen als dat nodig is.
- Laat het product niet door een kind bedienen.
- Laat kinderen niet met het product spelen.
- Zorg ervoor dat er altijd één persoon dichtbij is wanneer u het product gebruikt. Als zich een ongeval voordoet, moet u indien nodig hulp kunnen krijgen.
- Gebruik dit product nooit als u moe of ziek bent of als u alcohol, drugs of medicijnen hebt gebruikt. Dit kan uw zicht, beoordelingsvermogen en coördinatie verminderen.
- Gebruik geen product dat is gewijzigd ten opzichte van de fabrieksspecificaties.
- Gebruik altijd goedgekeurde accessoires. Neem voor meer informatie contact op met uw dealer.
- Gebruik goedgekeurde oogbescherming wanneer u het product gebruikt.
- Draag geen losse, zware en ongeschikte kleding. Draag kleren waarin u zich vrij kunt bewegen.
- Draag goedgekeurde veiligheidshandschoenen voor een stevige greep.
- Draag rubberen veiligheidshandschoenen om huidirritatie als gevolg van nat beton te voorkomen.
- Draag een goedgekeurde veiligheidshelm.
- Gebruik altijd goedgekeurde gehoorbescherming wanneer u het product gebruikt. Langdurig lawaai kan gehoorverlies veroorzaken.
- Het product veroorzaakt stof en dampen die gevaarlijke chemicaliën bevatten. Gebruik goedgekeurde ademhalingsbescherming.
- Gebruik laarzen met een stalen neus en antislipzool.
- Zorg ervoor dat u een EHBO-kit bij de hand hebt.
- Er kunnen vonken optreden bij de bediening van de machine. Zorg ervoor dat u een brandblusser bij de hand hebt.

Elektrische veiligheid



WAARSCHUWING: Er is altijd kans op schokken van elektrische producten. Gebruik het product niet bij slecht weer. Raak geen bliksemafleiders en metalen voorwerpen aan. Gebruik het product altijd zoals in deze bedieningshandleiding wordt beschreven om letsel te voorkomen.



OPGELET: Het product voldoet aan de eisen van EN61000-3-11 en mag onder bepaalde voorwaarden op het elektriciteitsnet worden aangesloten. Neem contact op uw energieleverancier voor instructies over het aansluiten van het product.

Sluit het product alleen aan op netspanning met een weerstand lager dan 0,28 Ω. Doe bij uw energieleverancier navraag over de systeemweerstand op de aansluiting.

Als het elektriciteitsnet een hogere systeemweerstand heeft, kan er kort spanningsverlies optreden wanneer het product wordt gestart. Dit kan invloed hebben op de werking van andere producten en bijvoorbeeld flickerende lichten veroorzaken.

Persoonlijke beschermingsuitrusting



WAARSCHUWING: Lees de volgende waarschuwingen voordat u het product gaat gebruiken.

- Gebruik altijd de juiste persoonlijke beschermingsmiddelen wanneer u het product gebruikt. De persoonlijke beschermingsmiddelen nemen het risico op letsel niet weg. De persoonlijke beschermingsmiddelen verlagen de ernst van het letsel indien zich een ongeval voordoet. Vraag uw dealer u te helpen bij het kiezen van de juiste beschermingsmiddelen.
- Controleer of de spanning van het elektriciteitsnet en de zekering overeenkomt met de spanning die wordt aangegeven op het productplaatje van het product.
- Stop het product altijd voordat u de stekker uit het stopcontact haalt.
- Gebruik het product niet als het snoer of de stekker beschadigd is. Brengt het ter reparatie naar een

erkend servicepunt. Een beschadigde kabel kan ernstig letsel en de dood veroorzaken.

- Gebruik de kabel op de juiste manier. Gebruik de kabel niet om het product te verplaatsen, eraan te trekken of het product los te koppelen. Houd de stekker vast als u de voedingskabel loshaalt.
- Gebruik het product niet in water met een zodanige diepte dat het product nat wordt. De apparatuur kan beschadigd raken en het product kan onder stroom komen te staan en letsel veroorzaken.
- Zorg ervoor dat er geen ander vocht in het product komt dan vocht afkomstig van het waterleidingnet. Voorkom blootstelling van het product aan regen. Water dat een elektrisch gereedschap binnenkomt, verhoogt het risico op elektrische schokken.
- Verwijder de voedingskabel altijd wanneer u de verbinding voor de motorkabel en de controlekast aansluit of loskoppelt.

Instructies voor geaard product



WAARSCHUWING: Een verkeerde aansluiting kan leiden tot elektrische schokken. Raadpleeg een erkende elektricien als u niet zeker weet of de contactdoos van het elektriciteitsnet correct geaard is.

Breng geen wijzigingen aan de stekker aan ten opzichte van de fabrieksspecificatie. Als de stekker of de voedingskabel beschadigd is of moet worden vervangen, raadpleeg dan uw Husqvarna-servicewerkplaats. Volg de lokale regel- en wetgeving.

Neem contact op met een erkende elektricien als u de instructies over het geaarde product niet volledig begrijpt.

Gebruik alleen geaarde verlengkabels voor buitengebruik met geaarde stekkers en geaarde contactdozen die geschikt zijn voor de stekker van het product.

Het product heeft een geaarde voedingskabel en een geaarde stekker. Sluit het product altijd aan op een geaard stopcontact. Dit vermindert de kans op een elektrische schok.

Gebruik geen adapters in combinatie met het product.

Verlengkabels

- Gebruik alleen goedgekeurde verlengkabels met voldoende lengte.
- De markering op de verlengkabel moet gelijk zijn aan of hoger zijn dan de waarde op het productplaatje van het product.
- Gebruik geaarde verlengkabels.
- Gebruik een verlengkabel die geschikt is voor gebruik buitenshuis wanneer u buiten werkt met het

product. Dit vermindert de kans op een elektrische schok.

- Houd de aansluiting op de verlengkabel droog en zorg dat deze de grond niet raakt.
- Houd de verlengkabel uit de buurt van hitte, olie, scherpe randen en bewegende delen. Een beschadigde kabel verhoogt het risico op elektrische schokken.
- Controleer of de verlengkabel in goede staat verkeert en niet beschadigd is.
- Gebruik de verlengkabel niet in opgerolde toestand. Daardoor kan de kabel oververhit raken.
- Zorg ervoor dat de verlengkabel achter u en het product ligt wanneer u het product gebruikt. Zo voorkomt u dat de verlengkabel beschadigd raakt.

Veiligheidsvoorzieningen op het product

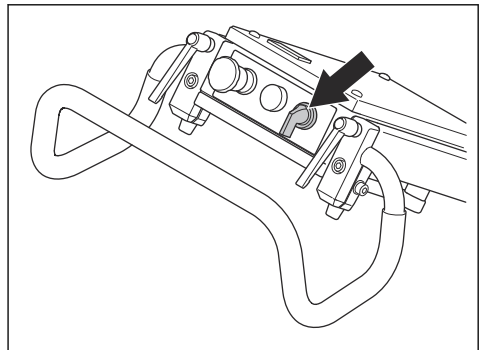


WAARSCHUWING: Lees de volgende waarschuwingen voordat u het product gaat gebruiken.

- Gebruik geen producten met veiligheidsvoorzieningen die beschadigd zijn of niet correct werken.
- Controleer de veiligheidsvoorzieningen regelmatig op een juiste werking. Als de veiligheidsvoorzieningen beschadigd zijn of niet goed werken, neem dan contact op met uw Husqvarna servicewerkplaats.
- Voer geen aanpassingen uit aan veiligheidsvoorzieningen.

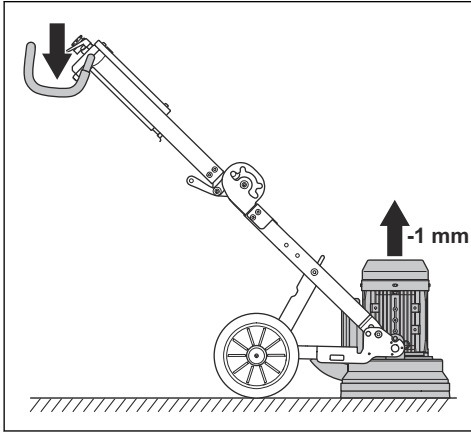
AAN/UIT-schakelaar

De AAN/UIT-schakelaar wordt gebruikt om het product te starten en te stoppen.

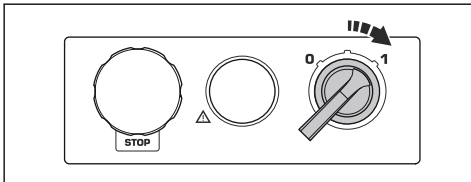


De ON/OFF-schakelaar controleren

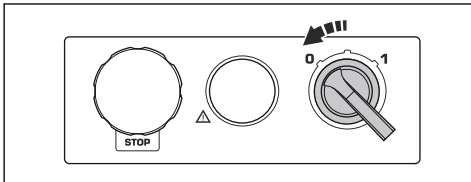
1. Duw de handgreep omlaag om de schuurkop van de vloer te heffen. De druk tussen de schuurkop en de vloer neemt af.



2. Zet de ON/OFF-schakelaar op 1 om het product te starten.

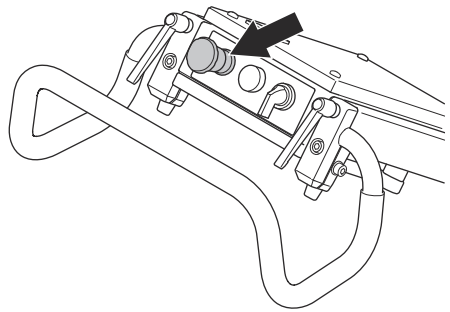


3. Wacht 5 seconden tot het product met het stationaire toerental draait.
4. Zet de ON/OFF-schakelaar op 0 om het product te stoppen.



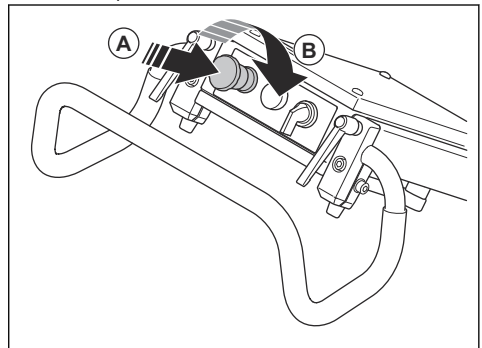
Noodstop

De noodstopknop wordt gebruikt om de motor snel te stoppen. De noodstop op het product schakelt de netvoeding uit.



De noodstop controleren

1. Druk op de noodstopknop (A) en controleer of de motor stopt.



2. Draai de noodstopknop rechtsom (B) om deze uit te schakelen.

Veiligheidsinstructies voor onderhoud



WAARSCHUWING: Lees de volgende waarschuwingen voordat u het product gaat gebruiken. Bewaar alle waarschuwingen en instructies voor later gebruik.

- Zorg ervoor dat alle onderdelen in een goede staat blijven en controleer of alle fittingen goed vastzitten.
- Gebruik geen product dat is beschadigd of niet correct werkt. Voer de in deze handleiding beschreven veiligheidscontroles en onderhouds- en servicetaken uit. Alle overige onderhoudswerkzaamheden moeten worden uitgevoerd door een erkende servicedealer.
- Stop het product en haal de stekker uit het stopcontact als u de diamantgereedschappen vervangt. Zet de ON/OFF-schakelaar op 0.
- Voer de inspectie en/of het onderhoud uit terwijl de motor is gestopt en de stekker is verwijderd.

- Controleer het product regelmatig om een goede werking te waarborgen. Zie *Dagelijks onderhoud op pagina 87*.

Werking

Inleiding

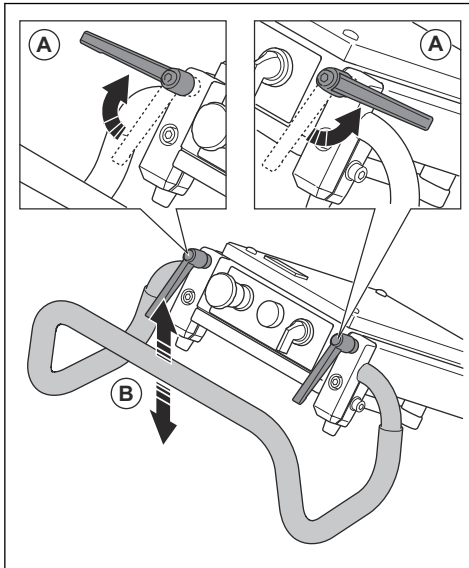


WAARSCHUWING: Voordat u het product gaat gebruiken, dient u het hoofdstuk over veiligheid te lezen en hebben begrepen.

Het stuur verstellen

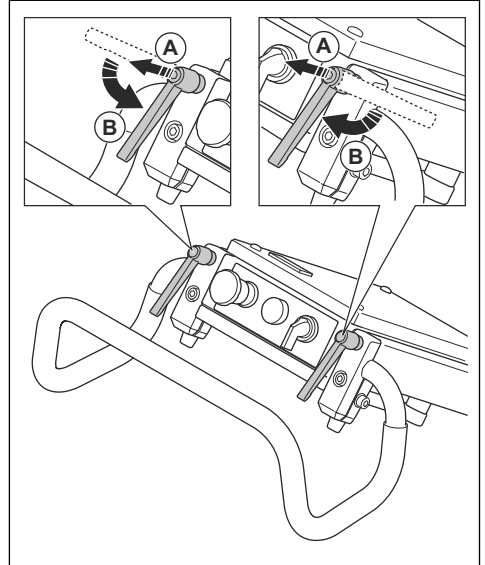
De vergrendelknoppen van het stuur worden rechtsom of linksom gedraaid of ze worden in de neutrale stand geplaatst.

- Draai de vergrendelknoppen (A) los en zet de hendel (B) in de ruststand.



- Draai de vergrendelknoppen vast om de positie in te stellen.

- Wanneer het stuur in een stand is geplaatst, trekt u de vergrendelknop van het stuur omhoog (A) en zet u deze in de ruststand (B).



Handgriephoogtes

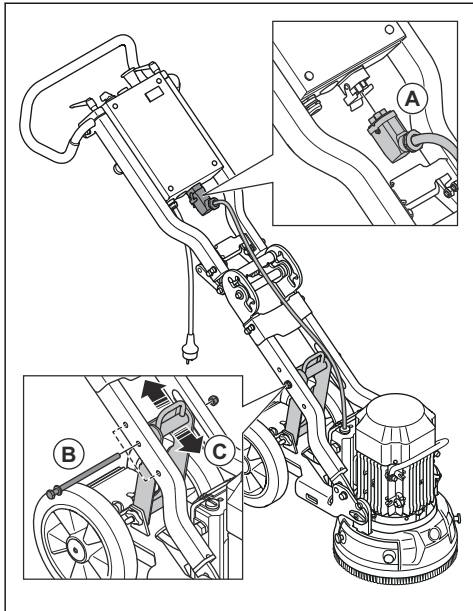
Positie van de handgrepen	Handgriephoogte PG 280 S	Handgriephoogte PG 280
Maximale bovenste positie, mm/inch	1120/44	835/33
Horizontale positie, mm/inch	935/37	925/36
Maximale onderste positie, mm/inch	750/30	1000/39

De framehoogte aanpassen

De hoek van het frame kan worden veranderd om het gewicht van het chassis te verdelen. Hierdoor wordt de slijpdruk tegen het oppervlak verkleind of vergroot.

Stel de hoek zodanig af dat een goede werkstand voor verschillende gebruikers kan worden ingesteld.

1. Koppel de motorkabel (A) los van de controlekast.



2. Verwijder de vergrendelknop (B).
3. Selecteer de gewenste werkstand (C) en plaats de vergrendelknop (B) in het gewenste gat. Met het onderste gat worden de slijpdruk en de hoogte van het stuur vergroot. Met het onderste gat worden de slijpdruk en de hoogte van het stuur verminderd.

Slijpdruk

Raadpleeg de tabellen voor informatie over de slijpdruk tegen het oppervlak voor elk gat.

Onder, kg/lbs	Midden, kg/lbs	Boven, kg/lbs
23/51	25/55*	27/60
Met een optioneel contragewicht		
17/37	20/44*	23/51
*Fabrieksinstelling		

Diamantgereedschappen

Er zijn vele soorten diamantschijven voor het product. Neem contact op met uw erkende servicepunt of ga naar www.husqvarnacp.com om de juiste diamantschijf te selecteren.

Installatie van de diamantschijven

De installatie van de diamantschijven op de schijfplaat heeft gevolgen voor de prestaties van het product. Het type diamantschijf en het aantal segmenten op de diamantschijf zijn belangrijk.

Gebruik metaalgebonden diamantschijven met 2 segmenten voor gebruikelijke slijpwerkzaamheden, om het oppervlak egaal te maken of voor lichte verwijderingen.

Gebruik metaalgebonden diamantschijven met 1 diamantsegment om de diamantschijfdruk te verhogen. Deze installatie is bestemd voor zware verwijderingen met veel kracht.

Voor de zwaarste verwijderingen raden wij u aan om gereedschappen te gebruiken die slechts in één richting met PCD-diamantbladen worden uitgevoerd.

Let op: PIRANHA™-gereedschappen zijn bedoeld om slechts in één richting te werken.

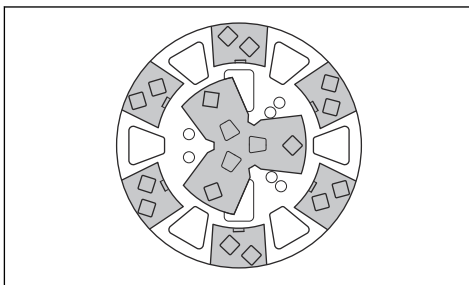
Metaalgebonden diamantsegmenten

Let op: Husqvarna raadt u aan om een instelling met 2 segmenten te gebruiken.

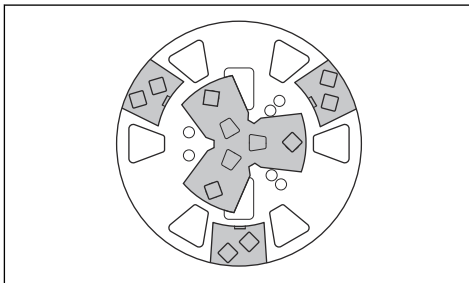
De instelling van de diamantsegmenten op de schuurmachine heeft invloed op de prestaties. De instelling is van invloed op de werksnelheid van het product en de eindkwaliteit van het oppervlak.

Er zijn een aantal verschillende diamantgereedschapconfiguraties die op het product bevestigd kunnen worden.

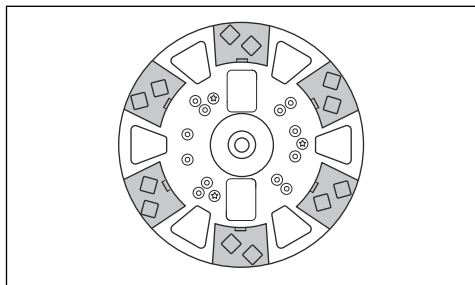
- Voor PG 280 Volledige set – binnenste en buitenste rij. Glad oppervlak verwijderen.



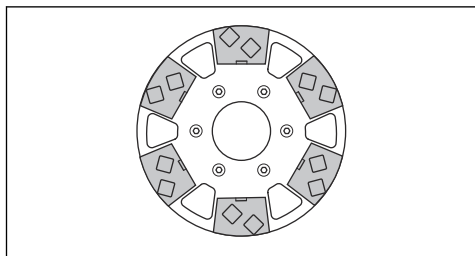
- Voor PG 280 Deelset – binnenste en buitenste rij. Effectieve verwijdering van vlakke oppervlakken.



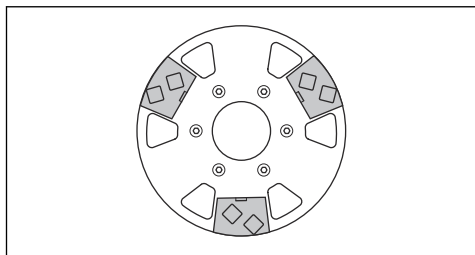
- Voor PG 280 Deelset – buitenste rij. Effectieve verwijdering van geconcentreerde oppervlakken.



- Voor PG 280 S Volledige set – buitenste rij. Effectieve verwijdering van geconcentreerde oppervlakken.



- Voor PG 280 S Deelset – buitenste rij. Zeer agressief geconcentreerd oppervlak verwijderen.



Selecteer de juiste harsgebonden diamant voor uw toepassing

Deze tabel bevat de basisconfiguraties voor de harsgebonden diamantsegmenten.

Ondergrond	Volledige set - buitenste rij	Halve set - buitenste rij
Om terazzo- of stenen tegels te polijsten	X	
Om een nieuw oppervlak te maken op terazzo- of stenen tegels		X

Ondergrond	Volledige set - buitenste rij	Halve set - buitenste rij
Om het oppervlak van betonnen vloeren te polijsten - hard beton		X
Om het oppervlak van betonnen vloeren te polijsten - middelhard beton		X
Om het oppervlak van betonnen vloeren te polijsten - zacht beton		X

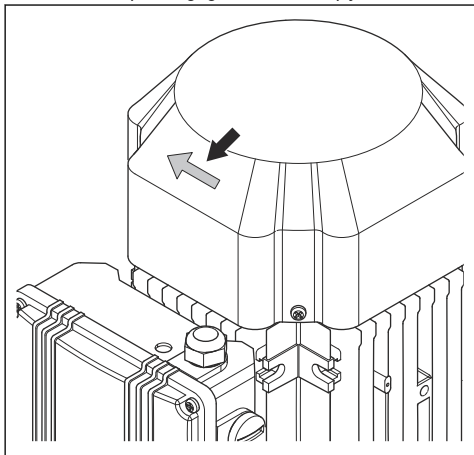
Voordat u het product gebruikt

- Lees de gebruikershandleiding zorgvuldig door en zorg dat u de instructies hebt begrepen.
- Voer dagelijks onderhoud uit. Zie *Dagelijks onderhoud op pagina 87*.
- Controleer of het product goed gemonteerd en niet beschadigd is.
- Plaats het product in het werkgebied.
- Zorg ervoor dat er diamantschijven op de schijfplaat zitten en dat deze goed zijn bevestigd.
- Sluit de stofzuiger aan op het product. Zie *Stofzuiger aansluiten op pagina 87*.
- Stel het stuur af om de vereiste werkhogte in te stellen.
- Zorg ervoor dat de motorkabel is aangesloten op de controlekast voordat u de stekker van de voedingskabel aansluit op het stopcontact.
- Sluit de stekker van het product aan op het stopcontact.
- Zorg ervoor dat u weet in welke richting de motor draait.
- Voor PG 280: draai de noodstopknop rechtsom om ervoor te zorgen dat deze niet actief is.

Controleer de rotatierichting van de motor PG 280

- Start het product. Zie *Product starten op pagina 84*.
- Stop het product na enkele seconden. Zie *Product stoppen op pagina 84*.

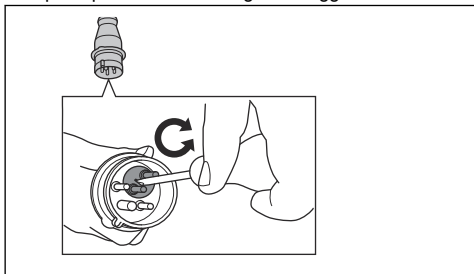
- Controleer of de motor de correcte draairichting heeft. De correcte richting wordt bovenop de ventilatorkap weergegeven met een pijl.



- Wijzig de rotatierichting van de motor als dat nodig is. Zie *De draairichting van de motor veranderen (alleen 3-fase) PG 280 op pagina 84*.

De draairichting van de motor veranderen (alleen 3-fase) PG 280

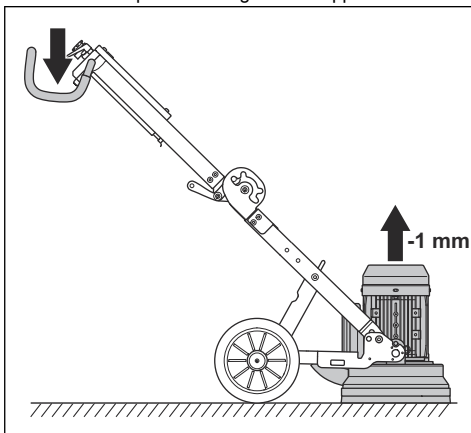
- Zet de ON/OFF-schakelaar op 0 om de motor te stoppen. Zie *Product stoppen op pagina 84*.
- Wacht tot het product volledig is gestopt.
- Koppel de verlengkabel los van de voedingsstekker op het product.
- Draai de omkeerschakelaar in de voedingsstekker op het product naar de tegenoverliggende stand.



- Sluit het snoer aan en controleer de rotatierichting van de motor. Zie *Controleer de rotatierichting van de motor PG 280 op pagina 83*.

Product starten

- Duw de handgreep een beetje naar beneden om de schuurkop ongeveer 1 mm van het oppervlak te heffen. Dit vermindert de druk op het oppervlak. Hef de schuurkop niet volledig van het oppervlak.



- Zet de ON/OFF-schakelaar op 1 om het product te starten. Het product bereikt binnen 5 seconden het stationaire toerental. Zie *AAN/UIT-schakelaar op pagina 79*.

Product stoppen



OPGELET: Hef de schijfplaat niet van het oppervlak wanneer u de motor stopt. De schijfplaat blijft nog enige tijd draaien nadat de motor is uitgeschakeld. Het stof kan zich grotendeels in de lucht verspreiden en het oppervlak kan worden beschadigd.

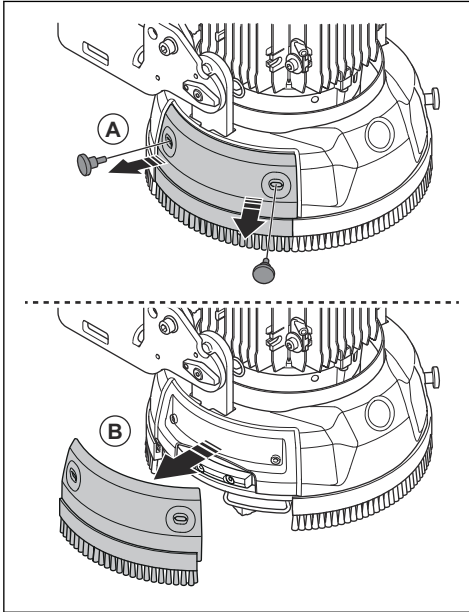


OPGELET: Als u klevend asfalt, verf of vergelijkbaar materiaal schuurt, tilt u de voorzijde van het product enigszins omhoog wanneer de schijfplaat stopt. Het product kan aan het klevende oppervlak blijven plakken indien het niet wordt opgetild.

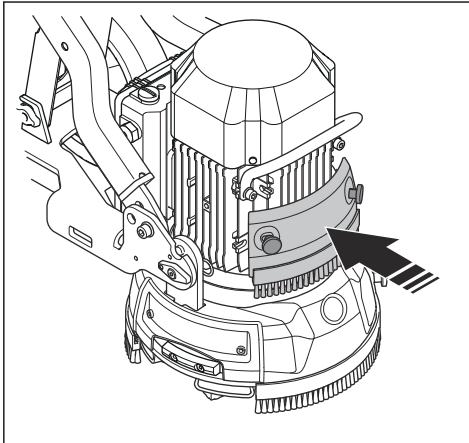
- Zet de ON/OFF-schakelaar op 0 om de motor te stoppen. Zie *AAN/UIT-schakelaar op pagina 79*.
- Houd de schijfplaat tegen het oppervlak. Zorg ervoor dat de schijfplaat niet draait wanneer u de voorkant optilt.
- Haal de stekker uit het stopcontact.

Kanten schuren PG 280

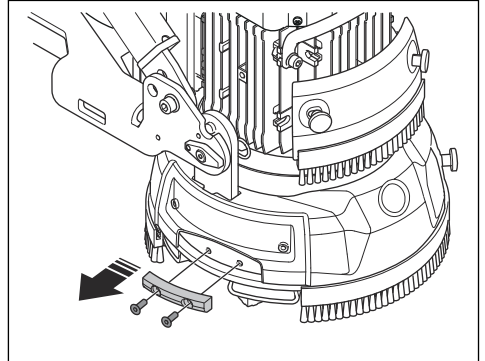
1. Verwijder de schroeven (A) en de klep (B).



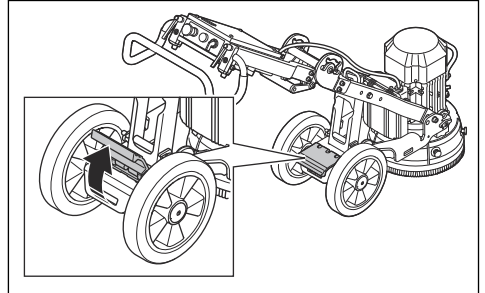
2. Bevestig de klep op de houder.



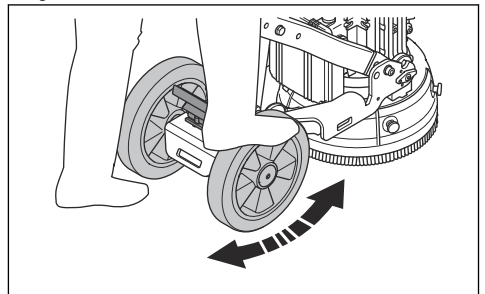
3. Een beschermingsmechanisme achter de klep voorkomt schade aan de muur. Verwijder de 2 schroeven en het beschermingsmechanisme als het nodig is om dicht bij de muur te schuren.



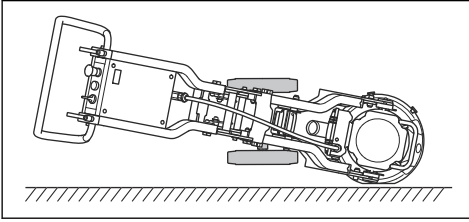
4. Breng het pedaal omhoog.



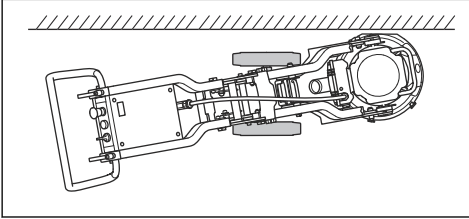
5. Gebruik uw voet om de wielen de juiste hoek te geven.



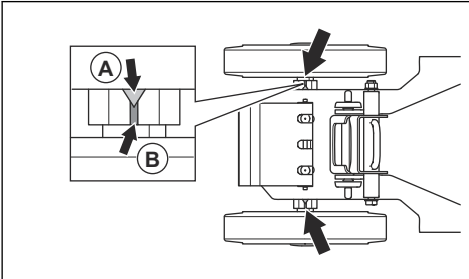
6. Als het noodzakelijk is om aan de rechterkant te schuren, moeten de wielen naar links wijzen.



7. Als het noodzakelijk is om aan de linkerkant te schuren, moeten de wielen naar rechts wijzen.



8. Als de wielen recht moeten staan, lijnt u de rode markering op de wielas (A) uit op de rode punt op het frame (B).



De diamantgereedschappen vervangen



WAARSCHUWING: Haal de stekker uit het stopcontact.



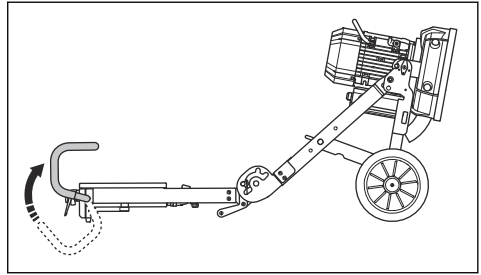
WAARSCHUWING: Diamantgereedschappen kunnen erg heet worden. Draag veiligheidshandschoenen.

1. Zet de ON/OFF-schakelaar op 0 en haal de stekker uit het stopcontact om het product te stoppen. Zie *Product stoppen op pagina 84*.
2. Druk op de noodstopknop.
3. Plaats het product in de onderhoudsstand.

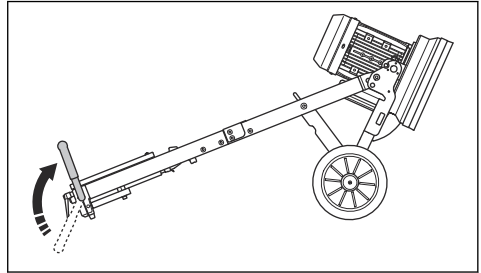


OPGELET: Zet het product alleen op een horizontaal oppervlak in de onderhoudsstand.

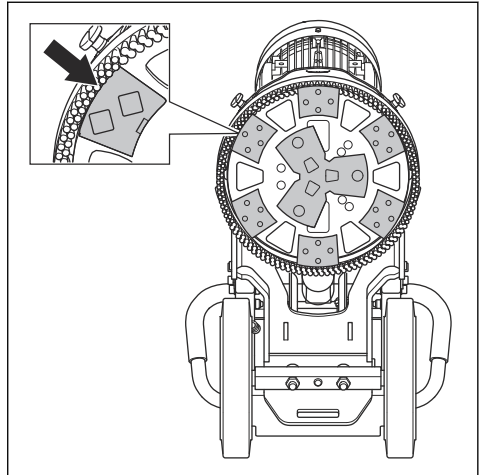
- a) Voor PG 280



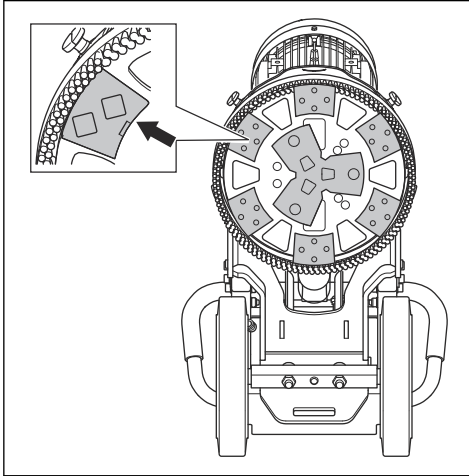
- b) Voor PG 280 S



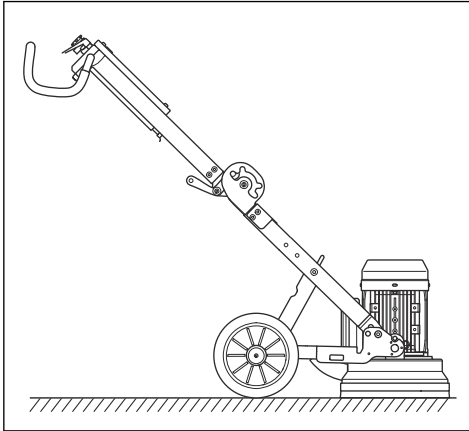
4. Gebruik een hamer om de diamantgereedschappen te verwijderen.



5. Bevestig de nieuwe diamantgereedschappen op de schijfplaat.



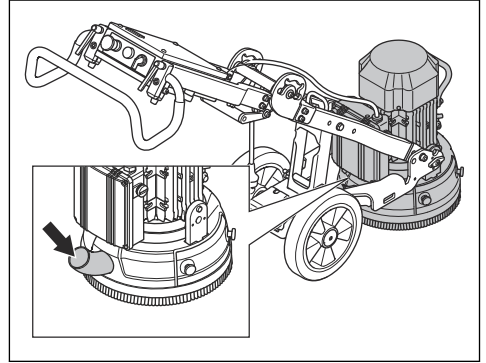
6. Plaats het product in de werkstand.



Stofzuiger aansluiten

Gebruik een Husqvarna-stofzuigersysteem.

1. Sluit de stofzuiger aan op het product. Gebruik een slang van 50 mm.



2. Controleer of de filters in de stofzuiger schoon en onbeschadigd zijn. Controleer op stof tijdens het gebruik.

Onderhoud

Inleiding



WAARSCHUWING: Voordat u onderhoud gaat uitvoeren, dient u het hoofdstuk over veiligheid te lezen en hebben begrepen.

Voor alle onderhouds- en reparatiewerkzaamheden aan het product is speciale training nodig. Wij garanderen de beschikbaarheid van professionele reparaties en onderhoud. Indien uw dealer geen servicewerkplaats heeft, vraag hem dan naar de dichtstbijzijnde servicewerkplaats.

Zie www.husqvarnacp.com voor meer gedetailleerde informatie.

Dagelijks onderhoud

Dagelijks onderhoud houdt in dat u het product reinigt. Ook moet u de elektrische voeding, de borstelstrook en de schijfhouder controleren.

Product reinigen



OPGELET: Een geblokkeerde luchtinlaat leidt tot verminderde prestaties

van het product en kan leiden tot oververhitting van de motor.

- Trek altijd de stekker uit het stopcontact voordat u het product reinigt, onderhoudt of monteert.
- Reinig altijd alle apparatuur aan het einde van de werkdag. Reinig het product niet met een hogedrukspuit.
- Voer het onderhoud altijd op een vlakke ondergrond uit.
- Verwijder blokkades van alle luchtopeningen. Het product moet altijd koel genoeg zijn.

De elektrische voeding controleren



WAARSCHUWING: Gebruik geen beschadigde kabels. Een beschadigde kabel kan ernstig of dodelijk letsel veroorzaken.

- Controleer of de voedingskabel en de verlengkabel onbeschadigd en in goede staat zijn.
- Gebruik het product niet als de voedingskabel is beschadigd. Laat onderhoud aan het product uitvoeren door een erkende servicewerkplaats.

De borstelstrook controleren

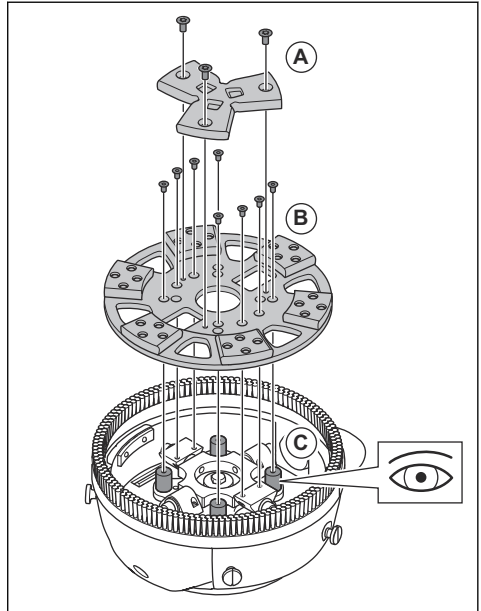
- Controleer of de borstelstrook vol is.
- Controleer of de borstelstrook het oppervlak raakt.

De schijfhouder controleren



OPGELET: De toestand van de schijfhouder is belangrijk voor de prestaties en de veiligheid.

1. Verwijder de schijfplaat (A).



2. Controleer de schijfhouder op beschadigingen en de rubberen cilinders (B) op slijtage.

3. Vervang indien nodig de rubberen cilinders.

Probleemoplossing

Het product start niet

- Controleer of de voedingseenheid en de voedingskabels niet zijn beschadigd.
- Controleer de noodstopknop, draai de knop rechtsom om de noodstopknop uit te schakelen.
- Controleer het overbelastinglampje. Laat de motor enige minuten afkoelen als het overbelastinglampje brandt, totdat het product automatisch wordt gereset.

Het product kan niet eenvoudig worden vastgehouden

- Er zijn te weinig diamantschijven op het product geïnstalleerd.
- Het geselecteerde type diamantschijf is niet correct voor het oppervlak.
- De motor gebruikt een hoge stroomsterkte voor de werkzaamheden.
- Gebruik het aanbevolen aantal diamantschijven om de kracht op het product en de

gebruiker te verminderen. Zie *Metaalgebonden diamantsegmenten op pagina 82*.

Het product maakt plotselinge bewegingen

- Controleer of alle diamantschijven correct zijn geïnstalleerd en dezelfde hoogte hebben.

Het product stopt plotseling

- Als het product wordt overbelast, wordt de overbelastingsbeveiliging ingeschakeld en stopt de motor.
- Druk op de overbelastingsbeveiliging om het product te resetten. Het product moet afkoelen voordat u het opnieuw kunt starten met de ON/OFF-schakelaar.
- Controleer of de verlengkabels niet te lang zijn.

Het product stopt tijdens het starten

De juiste voedingsspanning is noodzakelijk voor goede motorprestaties. Door te lange verlengkabels en/of te

laag vermogen wordt de kracht van de motor tijdens het gebruik verminderd.

- Als de motor overbelast raakt, drukt u op de overbelastingsbeveiliging. Als dit niet helpt, moet u contact opnemen met ene erkende servicedealer.
- Controleer of de verlengkabels niet te lang zijn.
- Als de motor wordt overbelast, gaat het waarschuwingslampje voor overbelasting branden. Wacht 2 minuten en probeer het opnieuw. Neem contact op met een erkende servicewerkplaats als dat niet helpt.

Transport en opslag

Transport van het product

- Zet het product tijdens transport veilig vast om schade en ongevallen te voorkomen.
- Zorg dat het product tijdens het transport op bepaalde manieren wordt beschermd. Op deze wijze wordt het product niet blootgesteld aan natuurverschijnselen zoals regen en sneeuw.
- Het product kan worden opgesplitst in 2 onderdelen. Hierdoor is het product eenvoudiger te transporteren.
- Gebruik altijd het hijssoog dat aan het product is bevestigd om het product te hijsen en te verplaatsen.

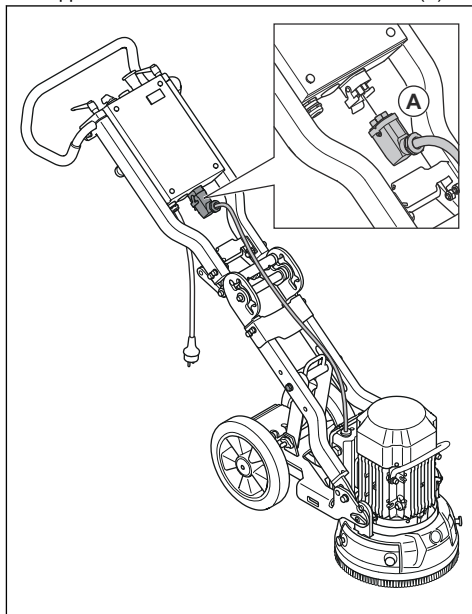
Het product in de transportstand zetten PG 280

Zorg dat het product tijdens het transport op bepaalde manieren wordt beschermd. Op deze wijze wordt het product niet blootgesteld aan natuurverschijnselen zoals regen en sneeuw.

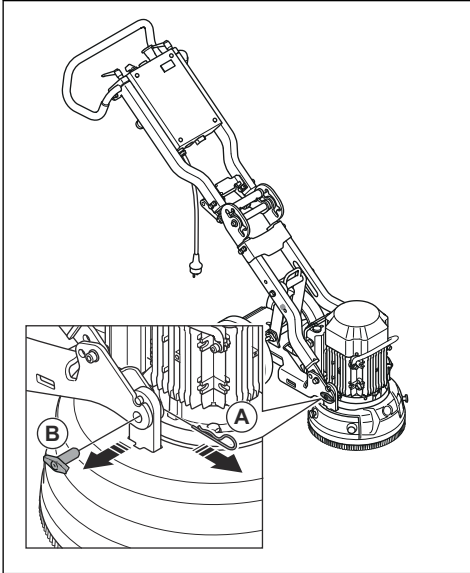
Het product kan worden opgesplitst in 2 onderdelen. Hierdoor is het product eenvoudiger te transporteren.

Beweeg het product altijd met het hijssoog en het stuur.

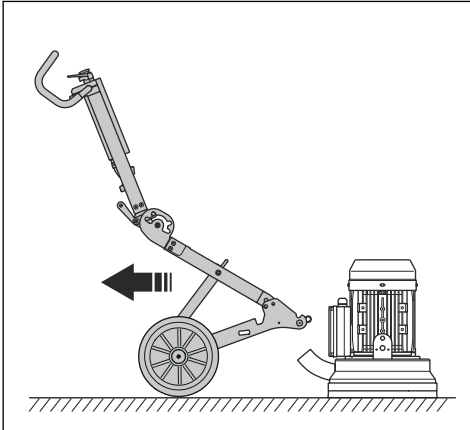
1. Koppel de motorkabel los van de controlekast (A).



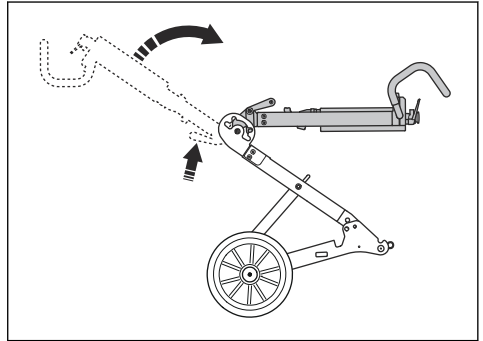
2. Trek de borgpennen (A) eruit en verwijder de borgbouten (B) aan elke zijde van de schuurkop.



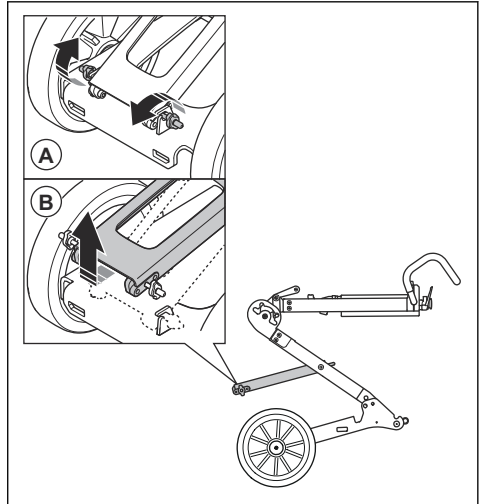
3. Verwijder het wielchassis van de schuurkop.



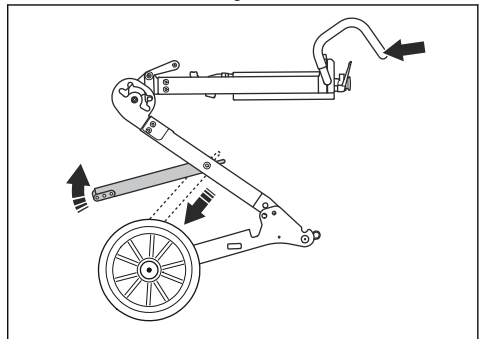
4. Druk op de hendel op het centrale scharnier en vouw het bovenframe naar voren. Het product staat in de hefstand.



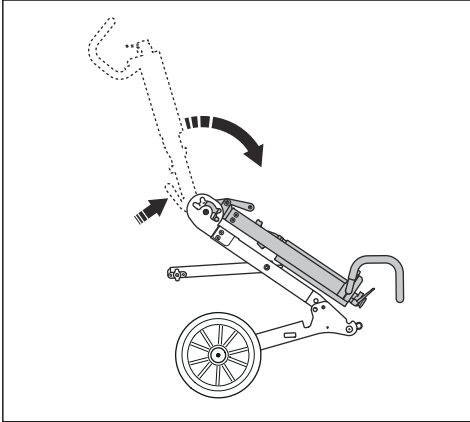
5. Verwijder de vergrendelknoppen (A) om de steunvoet (B) los te maken.



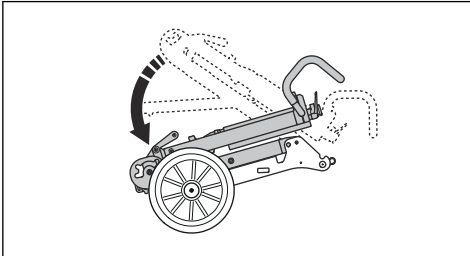
6. Houd het stuur vast om het frame stabiel te houden en de steunvoet omhoog en eruit te tillen.



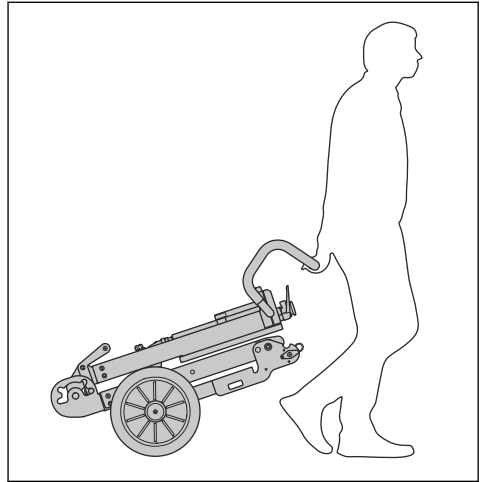
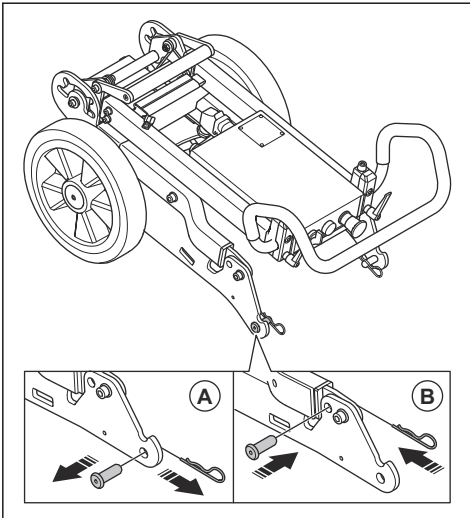
7. Houd het stuur met één hand vast en duw de hendel op het centrale scharnier. Hierdoor wordt het product in de ingeklapte stand geplaatst.



8. Klap het product in.

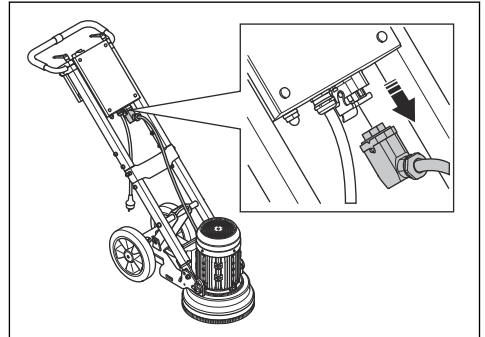


9. Verplaats de borgpen en de borgbout van positie (A) naar positie (B) om het product te vergrendelen.

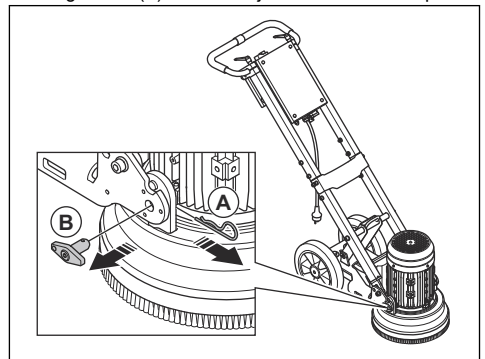


Het product in de transportstand zetten PG 280 S

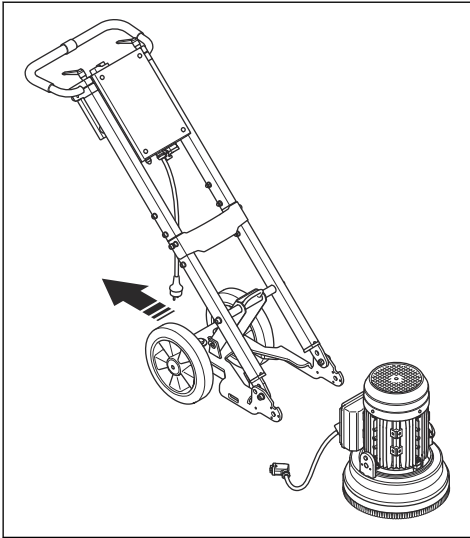
1. Koppel de motorkabel los van de controlekast.



2. Trek de borgpennen (A) eruit en verwijder de borgbouten (B) aan elke zijde van de schuurkop.

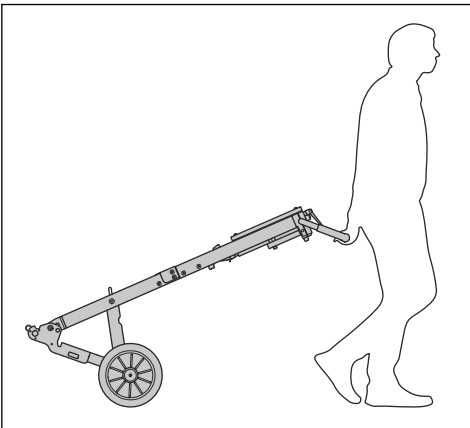
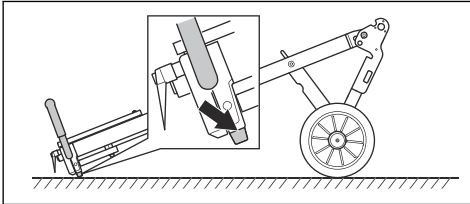


3. Verwijder het wielchassis van de schuurkop.



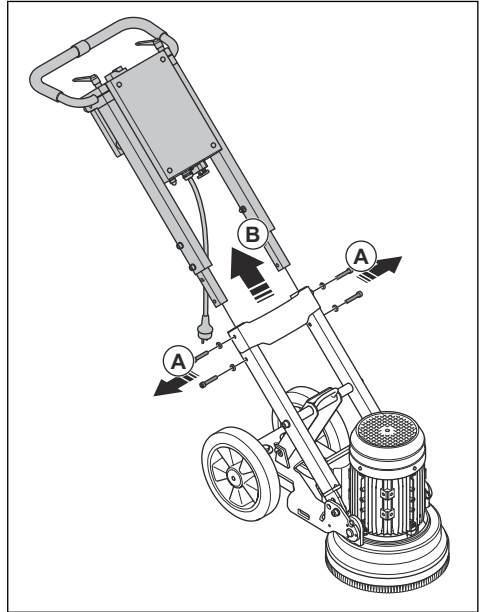
OPGELET: Laat het frame niet los, anders valt het.

4. Plaats het frame op de vloer met de rubberen bumper als steun om te voorkomen dat het valt.



Het frame demonteren PG 280 S

1. Verwijder de schroeven (A) op het frame.

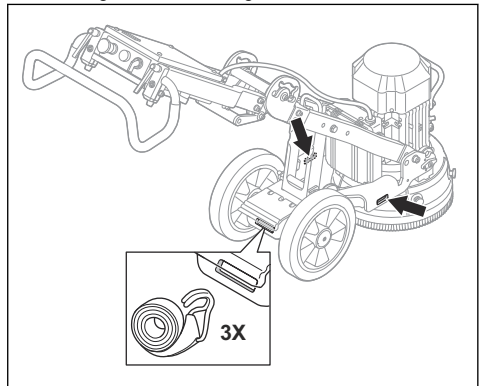


2. Trek het frame (B) eruit.

Het product bevestigen aan een voertuig voor transport

Bevestig het product tijdens transport om ongevallen en schade aan de apparatuur te voorkomen. Het product beschikt over gaten waarmee het met riemen aan het voertuig kan worden bevestigd.

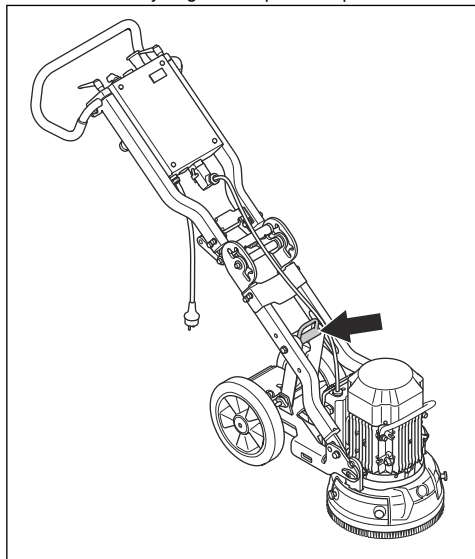
1. Bevestig de riem aan de gaten.



2. Bevestig de riem aan het voertuig en haal deze aan.

Het product optillen

1. Gebruik het hijssoog om het product op te tillen.



2. Zorg dat het product in evenwicht is wanneer u het optilt. Laat u door iemand helpen wanneer u het product optilt.

Het product opslaan

- Product mogen alleen binnen worden opgeslagen.
- Bewaar het product in een afgesloten ruimte om toegang door kinderen of onbevoegde personen te verhinderen.
- Bewaar het product in een droge en vorstvrije ruimte.

Technische gegevens

Technische gegevens

PG 280	Eénfasig, 220-240 V			Eénfasig, 100-120 V	
	50 Hz	50 Hz	60 Hz	50 Hz	60 Hz
Motorvermogen, kW	2,2	1,6	2,2	1,1	1,1
Nominale stroom, A	13,4	9	13	14	13,4
Nominale spanning, V	220-240	220-240	220-240	100-120	100-120
Gewicht, kg	73	71	73	73	75
Schuurbreedte, mm	280	280	280	280	280
Schuurdruk, kg	23	25	25	25	25
De draaisnelheid van de schijfplaat, tpm	1410	1450	1730	940	1150

Technische gegevens

PG 280 S	Eénfasig, 220-240 V	
Motor	50 Hz	60 Hz
Motorvermogen, kW	2,2	2,2
Nominale stroom, A	12,5	11,4
Nominale spanning, V	220-240	220-240
Gewicht, kg	77	77
Schuurbreedte, mm	280	280
Schuurdruk, kg	25	25
De draaisnelheid van de schijfplaat, tpm	1446	1759

Geluidsniveaus

Item	Eenheid	Waarde
Geluidsemissies ¹⁰		
Geluidsvermogensniveau L_{WA} (gemeten)	dB (A)	90
Geluidsniveaus ¹¹		
Geluidsdrumniveau bij het oor van de gebruiker	dB (A)	74,1
Trillingsniveau ¹²		
Handgreep rechts	m/s^2	2,39
Handgreep links	m/s^2	2,72

¹⁰ Geluidsemissie naar de omgeving gemeten als geluidsvermogen volgens EN 60335-2-72. Verwachte onzekerheidsmarge 2,5 dB(A).

¹¹ Geluidsdrumniveau volgens EN 60335-2-72. Verwachte onzekerheidsmarge 4 dB(A).

¹² Trillingsniveau volgens EN 60335-2-72. De gerapporteerde gegevens voor een trillingsniveau vertonen een typische statistische spreiding (standaardafwijking) van 1 m/s^2

Verklaring van overeenstemming

EG-verklaring van overeenstemming

Wij, Husqvarna AB, SE-561 82 Huskvarna,
Zweden, tel: +46- 36-146500, verklaren onder onze
alleenverantwoordelijkheid dat het product:

Beschrijving	Polijst- en schuurapparatuur
Merk	Husqvarna
Type/model	PG 280 S, PG 280
Identificatie	Serienummers vanaf 2022 en verder

volledig voldoet aan de volgende EU-richtlijnen en
-regelgeving:

Richtlijn/Verordening	Beschrijving
2006/42/EC	"betreffende machines"
2014/30/EU	"betreffende elektromagnetische compatibiliteit"
2011/65/EU	"betreffende beperking van gevaarlijke stoffen"

en dat de volgende geharmoniseerde normen en/of
technische specificaties zijn toegepast:

EN ISO 12100:2010

EN 60335-2-72:2012

EN 55014-1:2017

EN 55014-1:2021

EN 60335-1:2012+A11:2014+A13:2017

EN IEC 63000:2018

Partille, 2022-10-11



A handwritten signature in black ink, appearing to read 'Martin Huber', written over a horizontal line.

Martin Huber

R&D Director, Concrete Surfaces & Floors

Husqvarna AB, Construction Division

Verantwoordelijk voor technische documentatie



www.husqvarnaconstruction.com

Original instructions
Originalanweisungen
Instructions d'origine
Originele instructies

1143556-20



2023-10-24