



# Husqvarna®



PG 8 D

EN	Operator's manual
DE	Bedienungsanweisung
FR	Manuel d'utilisation
NL	Gebruiksaanwijzing

2-29
30-58
59-87
88-115

---

## Contents

---

Introduction.....	2	Troubleshooting.....	21
Safety.....	6	Transportation, storage and disposal.....	23
Operation.....	10	Technical data.....	25
Maintenance.....	18	Declaration of Conformity.....	28

---

## Introduction

---

### Product description

The product is a floor grinder for surfaces of different hardness.

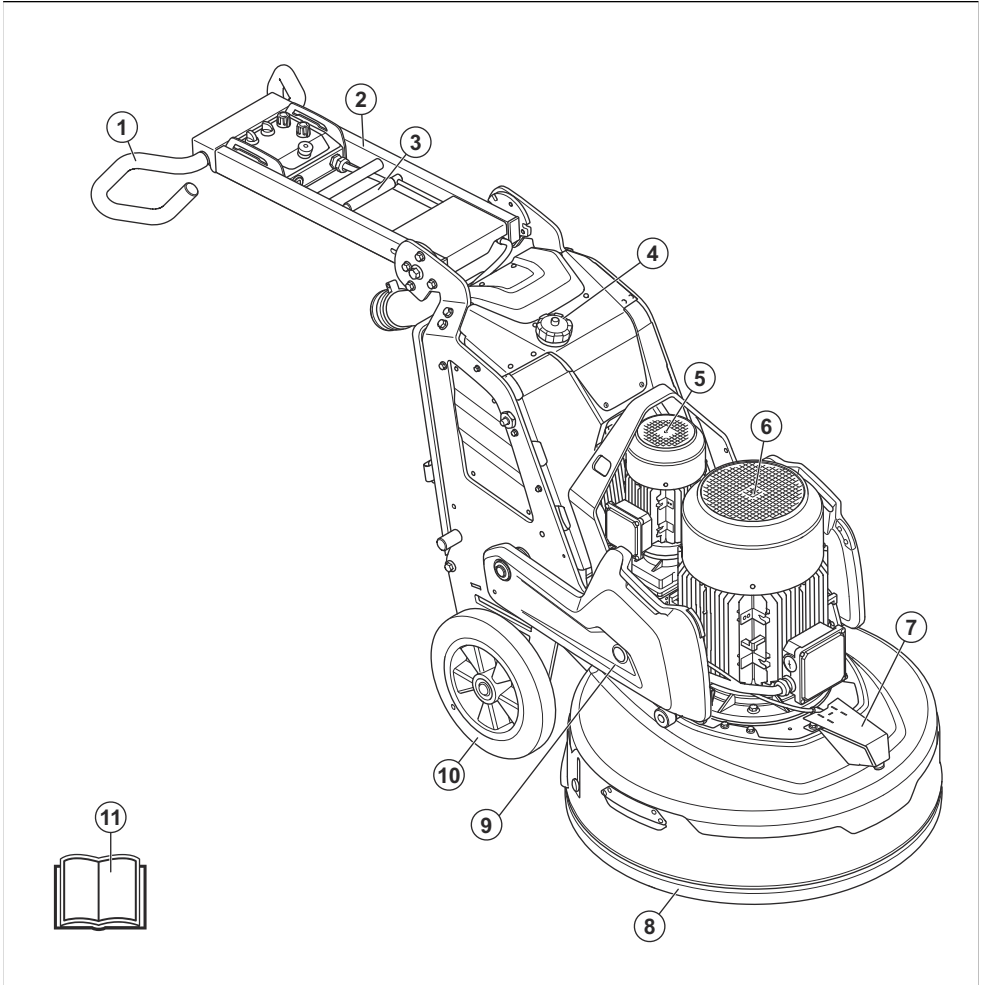
### Intended use

The product is used to grind surfaces of materials with different hardness such as natural stone, terazzo and

concrete. Also use the product to grind cover materials such as epoxy and glue. The finish of the surface can be rough or smooth. The product can be used for dry grinding and wet grinding. Do not use the product for other tasks.

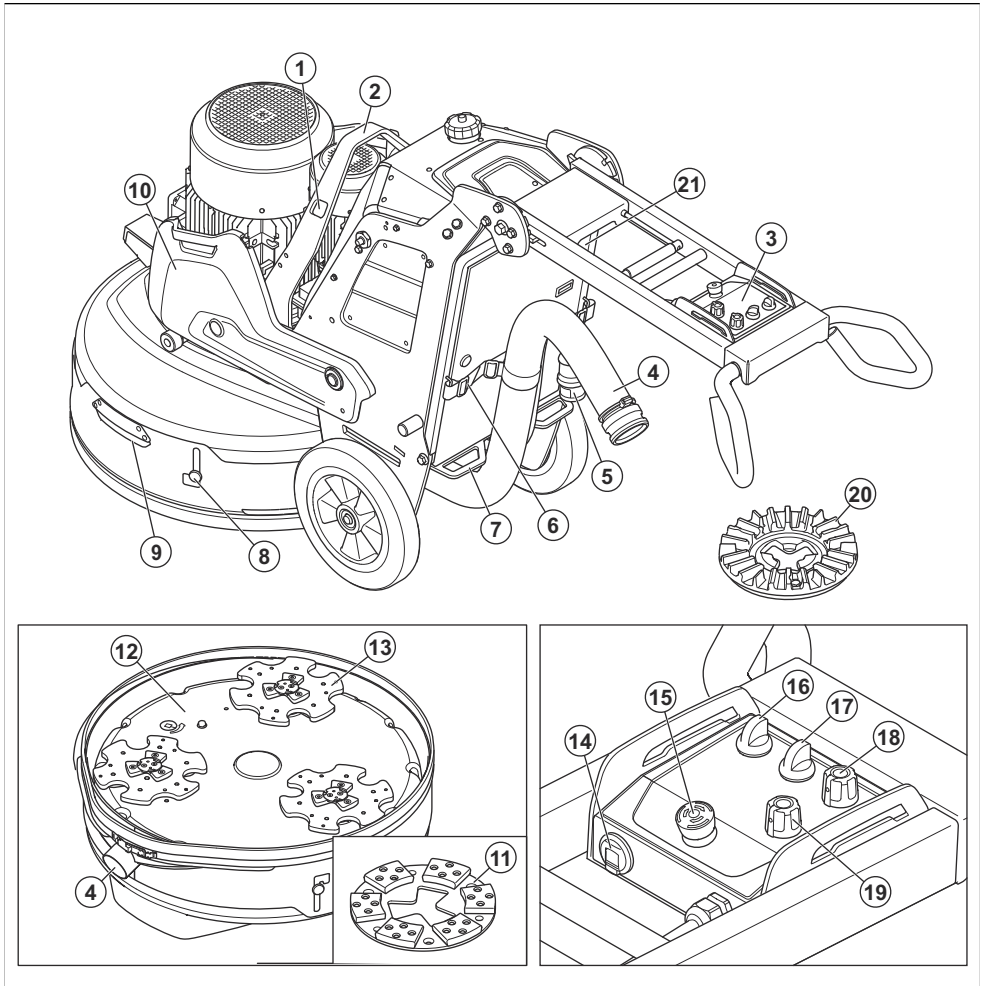
The product is used in commercial operations by professional operators.

## Product overview, right side



- |                                     |                       |
|-------------------------------------|-----------------------|
| 1. Handlebar                        | 7. Mist nozzle        |
| 2. Handle                           | 8. Floating cover     |
| 3. Lock level for handle adjustment | 9. Weights            |
| 4. Water tank                       | 10. Wheel             |
| 5. Grinding head motor              | 11. Operator's manual |
| 6. Grinding disc motor              |                       |

## Product overview, left side



- |  |  |
|--|--|
| 1. Holes for winching straps                           | 13. Grinding disc  |
| 2. Lifting eye   | 14. USB charger  |
| 3. Control panel                                       | 15. Emergency stop button                                      |
| 4. Connection for dust extractor                       | 16. ON/OFF switch  |
| 5. Power cord  | 17. STOP/RUN switch  |
| 6. Suspension device for dust extractor and power cord | 18. Knob for direction of rotation and speed for grinding disc |
| 7. Tie-down point                                      | 19. Knob for direction of rotation and speed for grinding head |
| 8. Transport lock of the floating cover                | 20. EZ Airflow tool plate                                      |
| 9. Handle of the floating cover                        | 21. Mist function switches                                     |
| 10. Weights  |  |
| 11. Tool plate   |  |
| 12. Grinding head                                      |  |

## Symbols on the product



**WARNING:** This product can be dangerous and cause serious injury or death to the operator or others. Be careful and use the product correctly.



Read the manual carefully and make sure that you understand the instructions before you use the product.



Use hearing protection, eye protection and respiratory protection. Refer to *Personal protective equipment on page 7*.



The dust can cause health problems. Use an approved respiratory protection. Always make sure that there is good airflow.



Always lift the product at the lifting eye.



Use the holes for tie-down straps to attach the product to a transport vehicle.



The product is not domestic waste. Recycle it at an approved disposal location for electrical and electronic equipment.



This product is in compliance with applicable EC directives.



This product conforms to applicable UK regulations.



The product agrees with applicable Eurasian Customs Union directives.



China RoHS Environment-Friendly Use Period (EUFPP) symbol.



Noise emission to the environment label as per EU and UK directives and regulations. The guaranteed sound power level of the product is specified in

*Technical data on page 25 and on the label.*

**Note:** Other symbols/decals on the product refer to special certification requirements for some markets.

## Symbols on the control panel



Emergency stop.



Product on and reset the product.

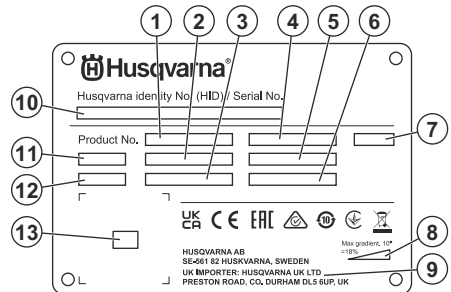


Grinding head on.



Speed and direction of rotation, grinding disc.

## Rating plate



1. Product number
2. Product weight
3. Rated power
4. Rated voltage
5. Rated current
6. Frequency
7. Enclosure
8. Maximum slope angle
9. Manufacturer/Importer
10. Serial number
11. Model
12. Production year
13. Scannable code

## Product damage

We are not responsible for damages to our product if:

- the product is incorrectly repaired.

- the product is repaired with parts that are not from the manufacturer or not approved by the manufacturer.
- the product has an accessory that is not from the manufacturer or not approved by the manufacturer.
- the product is not repaired at an approved service center or by an approved authority.

## Husqvarna Fleet Services™

Husqvarna Fleet Services™ is a cloud solution that gives the operator an overview of all products that

are connected. On this product a Husqvarna Fleet Services™ sensor can be installed. The Husqvarna Fleet Services™ sensor collects product data and lets you connect to the Husqvarna Fleet Services™ system. The Husqvarna Fleet Services™ system reports data such as operation time, servicing intervals and location of the product.

For more information about Husqvarna Fleet Services™, download the Husqvarna Fleet Services™ app or speak to your Husqvarna representative.

---

## Safety

---

### Safety definitions

Warnings, cautions and notes are used to point out specially important parts of the manual.



**WARNING:** Used if there is a risk of injury or death for the operator or bystanders if the instructions in the manual are not obeyed.



**CAUTION:** Used if there is a risk of damage to the product, other materials or the adjacent area if the instructions in the manual are not obeyed.

**Note:** Used to give more information that is necessary in a given situation.

### General safety instructions



**WARNING:** Read the warning instructions that follow before you use the product.

- This product is a dangerous tool if you are not careful or if you use the product incorrectly. This product can cause serious injury or death to the operator or others. Before you use the product, you must read and understand the contents of this operator's manual.
- This product is not intended for use by persons (including children) with reduced physical, sensory or mental capabilities, or lack of experience and knowledge.
- Save all warnings and instructions.
- Comply with all applicable laws and regulations.
- The operator and the employer of the operator must know and prevent the risks during operation of the product.
- Do not let a person operate the product unless they read and understand the contents of the operator's manual.

- Do not operate the product unless you receive training before use. Make sure that all operators receive training.
- Do not let a child operate the product.
- Only let approved persons operate the product.
- The operator is responsible for accidents that occur to other persons or their property.
- Do not use the product if you are tired, ill, or under the influence of alcohol, drugs or medicine.
- Always be careful and use your common sense.
- This product produces an electromagnetic field during operation. This field can under some circumstances interfere with active or passive medical implants. To decrease the risk of serious injury or death, we recommend persons with medical implants to speak to their physician and the medical implant manufacturer before operating this product.
- Keep the product clean. Make sure that you can clearly read signs and decals.
- Do not use the product if it is damaged.
- Do not make modifications to this product.
- Do not operate the product if it is possible that other persons have made modifications to the product.

### Safety instructions for operation



**WARNING:** Read the warning instructions that follow before you use the product.

- Use personal protective equipment. Refer to *Personal protective equipment on page 7*.
- Do not go away from the product when the motor is on.
- Always disconnect the power cord before you go away from the product.
- Do not pull the hose of the dust extractor. The product can fall and cause injury or damage.
- The grinding head must touch the surface when you start the product. This is not applicable when you do a check of the ON/OFF switch.

- Do not start the product without the dust skirt installed. The dust skirt must seal fully between the product and the floor.
- Keep away from areas where the product can cause injury. The product can quickly change position and hit you.
- If the product does not operate correctly, stop the motor.
- Make sure that clothing, long hair and jewelry do not get caught in moving parts.
- Make sure that you are in a safe and stable position during operation.
- Do not operate the product unless you can get aid if an accident occurs.
- If vibrations occur in the product or the noise level from the product is unusually high, stop the product immediately. Examine the product for damages. Repair damages or let an approved service agent do the repair.
- Overexposure to vibration can cause circulatory damage or nerve damage to persons with decreased blood circulation. Get medical aid if you have symptoms of overexposure to vibration. These symptoms include numbness, loss of feeling, tingling, pricking, pain, loss of strength, changes in skin color or condition. These symptoms usually show in the fingers, hands or wrists.
- Do not park the product on a slope. If you must park the product on a slope, make sure that the product cannot move or fall. There is a risk of injury and damage.
- Be very careful during operation on slopes. The product is heavy and can cause serious injury if it falls.
- Do not move the product on steep slopes. Look at the rating plate on the product for information about the maximum slope angle.
- Always use approved accessories. Speak to your dealer for more information.

## Personal protective equipment



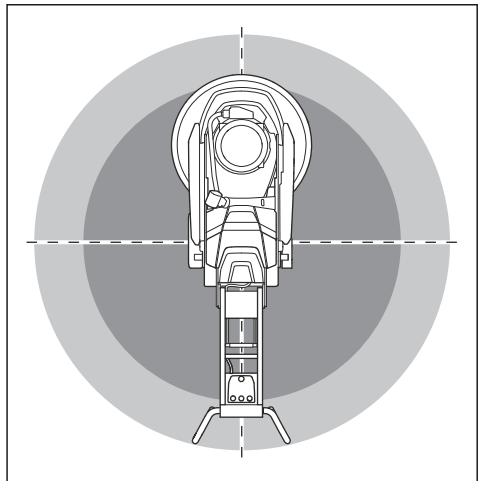
**WARNING:** Read the warning instructions that follow before you use the product.

- Always use correct personal protective equipment when you operate the product. The personal protective equipment does not erase the risk of injury. The personal protective equipment decreases the grade of injury if an accident occurs. Let your dealer help you select the right equipment.
- Use approved eye protection while you operate the product.
- Do not use loose, heavy and not applicable clothing. Use clothes that let you move freely.
- Use approved protective gloves that enables a solid hold.

- Use rubber protective gloves that prevents skin irritation from wet concrete.
- Use an approved protective helmet.
- Always use approved hearing protection while you operate the product. Noise for a long period can cause noise-induced hearing loss.
- The product makes dust and fumes that contain dangerous chemicals. Use an approved breathing protection.
- Use boots with steel toe-caps and non-slip soles.
- Make sure that you have a first aid kit near.
- Sparks can occur when you operate the product. Make sure that you have a fire extinguisher near.

## Work area safety

- During operation, keep bystanders away from the area shown in the illustration below. The operator must be very careful in this area during operation.



- Make sure that only approved persons are in the work area.
- Do not use the product in fog, rain, strong winds, cold weather, risk of lightning or other bad weather conditions. To use the product in bad weather or in wet locations can have a negative effect on your alertness. Bad weather can cause dangerous work conditions.
- Look out for persons, objects and situations that can prevent safe operation of the product.
- Keep the work area sufficiently illuminated.
- Do not use the product in areas where fire or explosions can occur.

## Electrical safety



**WARNING:** There is always a risk of shocks from electrical products. Do not use the product in bad weather conditions. Do not touch lightning conductors and metal

objects. Always use the product as given in this operator's manual to prevent injury.

influence the operation of other products, for example flicker on the lights.



**WARNING:** Always use a power supply with RCD (residual-current device). An RCD decreases the risk of electrical shock.



**WARNING:** High voltage. There are unprotected parts in the power unit. Always disconnect the power plug before you open the door to the electrical box.



**CAUTION:** The power supply from the product or generator must be sufficient and constant to make sure that the motor operates without problems. Incorrect voltage causes the power consumption and the temperature of the motor to increase until the safety circuit releases. The dimension of the power cord must agree with national and local regulations. The dimension of the mains socket must agree with the amperage for the electrical socket and extension cable of the product.

If the power mains has higher system resistance, short voltage drop can occur when the product is started. This can

- Make sure that the power, fuse and mains voltage are the same as the voltage shown on the rating plate of the product.
- Always stop the product before you disconnect the power plug.
- Do not use the product if the power cord or power plug is damaged. Hand it in to an approved service center for repair. A damaged power cord can cause serious injury and death.
- Use the power cord correctly. Do not use the power cord to move, pull or disconnect the product. Pull the power plug to disconnect the power cord. Do not pull the power cord.
- Do not operate the product in water depths where the equipment of the product gets wet. The equipment can become damaged and the product can become live and cause injury.
- Do not get more moisture into the product than the water supplied by the water system. Keep the product away from rain. Water that goes into the product increases the risk of electrical shock.
- Always disconnect the power cord before you connect or disconnect the connection for the motor cable and the electrical enclosure.
- Do not point the mist nozzle of the product on electrical cables or electrical components.

#### Guide values for power source

Nominal voltage from power source, V	Min. voltage at the product, V	Max. voltage at the product, V	Frequency, Hz	Nominal current, A	Motor output	Min. cable area mm <sup>2</sup> /AWG	Max. cable length m/ft
3x220	200	240	50/60	50	11+1.5	10/7	55/180
3x400/440/480	380	480	50/60	30	11+1.5	6/9	55/180
3x220	200	240	50/60	50	11+1.5	10/7	55/180
3x400/440/480	380	480	50/60	30	15+1.5	6/9	55/180

#### Grounded product instructions



**WARNING:** Incorrect connection can result in electrical shock. Speak to an approved electrician if you are not sure if your mains outlet is correctly grounded.

Do not do modifications to the power plug from its factory specification. If the power plug or power cord is damaged or must be replaced, speak to your Husqvarna service agent. Obey local regulations and laws.

If you do not fully understand the instructions about the grounded product, speak to an approved electrician.

Use only grounded outdoor extension cables with grounding plugs and grounding outlet that accepts the product power plug.

The product has a grounded power cord and power plug. Always connect the product to a grounded mains outlet. This decreases the risk of electrical shock.

Do not use electrical adapters with the product.



## Extension cables

- Use only approved extension cables with sufficient length.
- The rated value on the extension cable must be the same or higher than given on the rating plate of the product.
- Use grounded extension cables.
- When you operate the product outdoors, use an extension cable that is applicable for outdoor operation. This decreases the risk of electrical shock.
- Keep the connection to the extension cable dry and off the ground.
- Keep the extension cable away from heat, oil, sharp edges or moving parts. A damaged cable increases the risk of electrical shock.
- Make sure that the extension cable is in good condition and not damaged.
- Do not use the extension cable while it is wound up. This can cause the extension cable to become too hot.
- Make sure that the extension cable is behind you and the product when you use the product. This prevents damage to the extension cable.

## Safety devices on the product

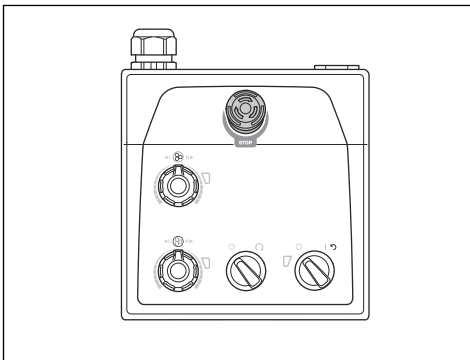


**WARNING:** Read the warning instructions that follow before you use the product.

- Do not use a product with safety devices that are damaged or do not operate correctly.
- Do a check of the safety devices regularly. If the safety devices are damaged or do not operate correctly, speak to your Husqvarna service agent.
- Do not make modifications to safety devices.

## Emergency stop button

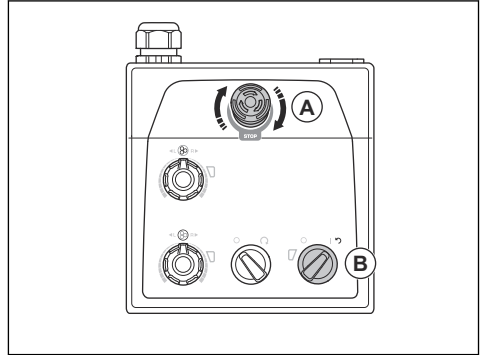
The emergency stop button is used to quickly stop the motor. The emergency stop button breaks the mains power supply.



**CAUTION:** Do not use the emergency stop button as the stop button for the product.

## To do a check of the emergency stop button

1. Turn the emergency stop button (A) on the control panel clockwise to make sure that the emergency stop button is disengaged.



2. Turn the ON/OFF switch (B) on the control panel to 1 to start the motor. The LED adjacent to the ON/OFF switch comes on.
3. Push the emergency stop button.
4. Make sure that LED adjacent to the ON/OFF switch goes off.
5. Turn the emergency stop button clockwise to disengage.

## Safety instructions for maintenance

- Keep all parts in good condition and make sure that all fixtures are correctly tightened.
- Do not use a product that is defective. Do the safety checks, maintenance and the servicing as given in this manual. All other maintenance work must be done by an approved service agent.
- Stop the product when you replace the diamond tools. Turn the ON/OFF switch to 0 and push the emergency stop button.
- Do the inspection and/or maintenance with the motor stopped and the power plug disconnected.
- Do the maintenance to make sure that the product operates correctly. Refer to *Maintenance schedule on page 18*.

---

# Operation

---

## Introduction



**WARNING:** Before you operate the product, you must read and understand the safety chapter.

---

## To remove the product from the package



**WARNING:** Move the product from the pallet carefully and safely. The product is heavy and can cause serious injury if it falls.

- Make sure that all items that is shown in the product overview, are included. Refer to *Product overview, right side on page 3*. Speak to your Husqvarna dealer if an item is missing or damaged before you move the product from the pallet.
- Remove all package straps and wheel chocks.
- Make sure that the area is clear and that you have sufficient space to move the product.
- Make sure that there is no risk that you or the product can fall.
- Use lifting equipment or ramps to move the product from the pallet. The product is heavy. Move the product safely. Refer to *To lift the product on page 24*.

## To do before you operate the product

1. Read the operator's manual carefully and make sure that you understand the instructions.
2. Put on necessary personal protective equipment. Refer to *Personal protective equipment on page 7*.
3. Make sure that only approved persons are in the work area.
4. Do daily maintenance. Refer to *Maintenance schedule on page 18*.
5. Make sure that the product is assembled correctly and is not damaged.
6. Put the product on the work area. Make sure that the transportation of the product to and in the work area is done safely and correctly. Refer to *Transportation on page 23*.
7. Make sure that there are diamond tools on the tool plates and that the diamond tools and tool plates are tightly attached.
8. Connect a dust extractor to the product. Refer to *To connect a dust extractor on page 13*.
9. Adjust the handle and the handlebar to an applicable operation height. Refer to *To adjust the handle and the handlebar on page 14*.

10. Make sure that the motor cable is connected to the electrical enclosure before the product is connected to a mains outlet. Refer to *To install and remove the grinding head on page 19*.
11. Connect the product to a power source. Refer to *To connect the product to a power source on page 14*.
12. Turn the emergency stop button on the control panel clockwise to make sure that the emergency stop button is disengaged.
13. Make sure that you know the direction of rotation of the grinding discs when you use direction diamond tools such as Piranhas.

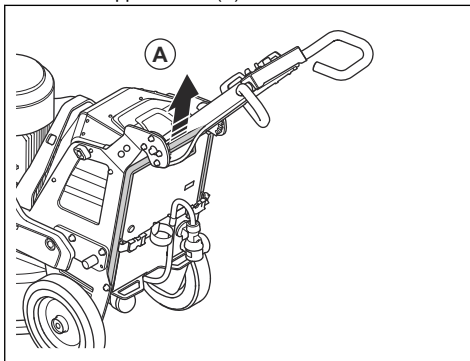
## To engage and disengage the support frame

The product has a support frame that is used to tilt the product rearward. Also, the support frame is used as a suspension device to hang the dust extractor hose and the power cord on.

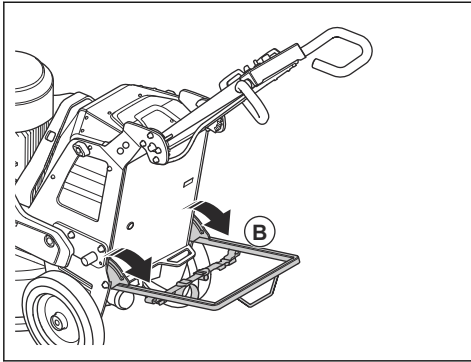


**WARNING:** Be careful when you move the support frame. The moving parts can cause injury.

1. Lift the support frame (A) a small distance.



- Lower the support frame (B).



- Fold up the support frame in the opposite sequence.

## Diamond tools

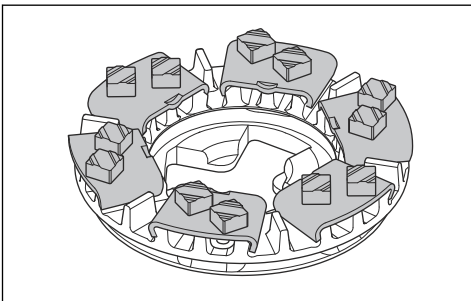
There are many different types and configurations of diamond tools for the product. Metal bonded diamond tools are used for removal of material and resin bonded diamond tools are used to polish surfaces. Select the correct diamond tools for the surface. Select the correct diamond tools for the surface. Speak to your Husqvarna dealer or go to [www.husqvarnacp.com](http://www.husqvarnacp.com) for support to select the correct tool.

### Full set and half set of diamond tools

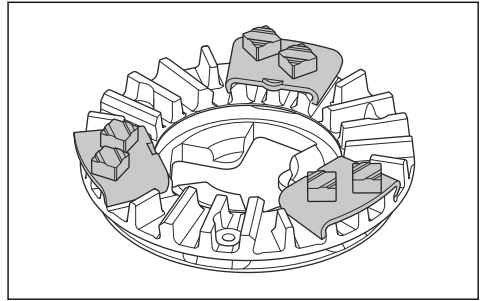
The configuration of the diamond tool segments has an effect on the end quality of the surface. The configuration also has an effect on the operation rate of the product.

The EZ Airflow tool plate is used for better cooling result and it gives a better tool performance.

- Full set of diamond tools: This configuration is applicable for a flat floor finish.



- Half set of diamond tools: This configuration is applicable when a flat floor finish is not necessary.



## To replace the diamond tools



**WARNING:** Use protective gloves. Diamond tools can become very hot and you can hurt your hand when you lift the floating cover.



**WARNING:** Use approved respiratory protection when you replace the diamond tools. The dust below the grinding head is dangerous to your health.



**WARNING:** Use the dust extractor when you replace the diamond tools. The dust extractor will decrease the dust that can cause health problems.



**WARNING:** Do not adjust the weights when the product is tilted or in service position.

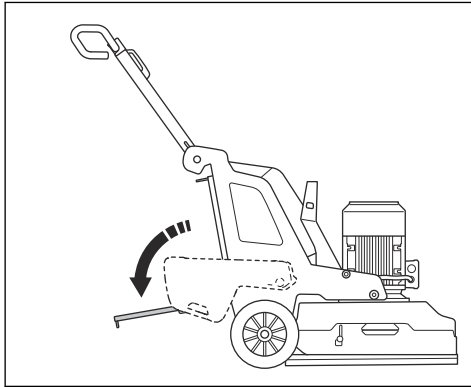


**CAUTION:** All the grinding discs must always have the same number and type of diamonds. The height of the diamonds must be the same on all grinding discs.

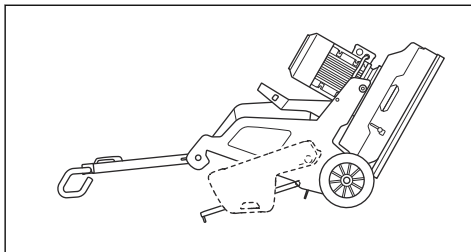
- Stop the product. Refer to *To stop the product on page 16*.
- Turn the emergency stop button on the control panel clockwise to make sure that the emergency stop button is disengaged.
- Set the handle in servicing position. Refer to *Handle positions on page 14*.
- If weights are installed, adjust the weights to a rearward position. Refer to *Weights on page 17*.
- Put on protective gloves.
- Lift and rotate the floating cover.

**Note:** When you lift the cover, you get access to the diamond tools easier.

7. Lock the cover with the transport lock of the floating cover.
8. Engage the support frame. Refer to *To engage and disengage the support frame on page 10.*



9. Do a check of the locks for the floating cover. Replace damaged or missing locks before you tilt the product.
10. Hold the handlebar and with one foot on the support frame tilt the product rearward. Tilt the product until the handlebar is on the floor.

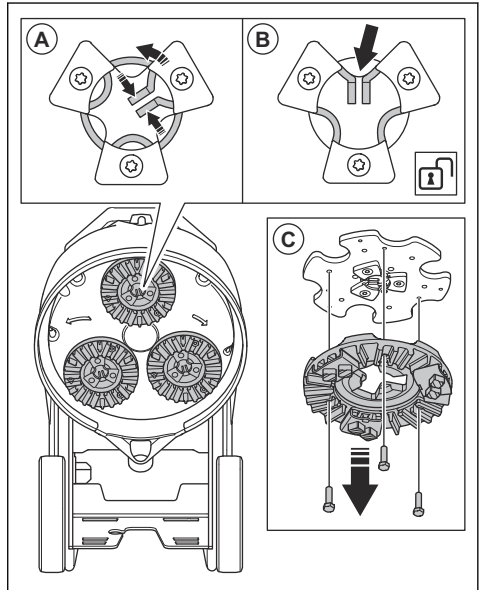


**WARNING:** Make sure that the product is in a stable position before you replace the diamond tools.

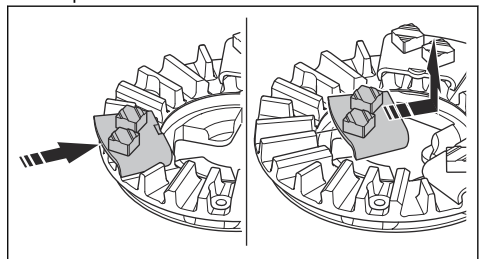


**CAUTION:** If weights are installed they must be in the rear position when you tilt the product. Do not adjust weights from the rear position when the grinder is tilted.

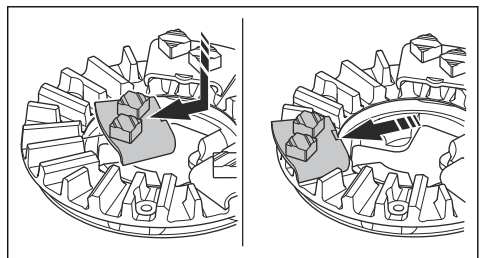
11. Push the center tabs together and rotate counterclockwise (A) to unlock the tool plate from the grinding disc (B).



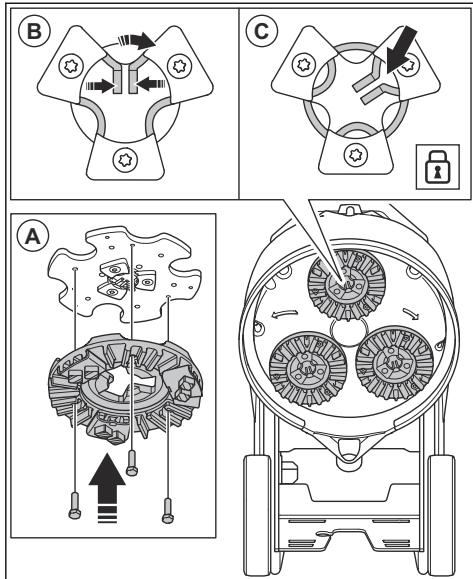
12. Pull the tool plate straight out (C) to remove the tool plate from the grinding disc.
13. Use a hammer to remove the diamond tools from the tool plate.



14. Attach new diamond tools to the tool plate with a soft hit of the hammer.



15. Attach the tool plate straight (A) on the grinding disc.



16. Push the center tabs together and rotate clockwise (B) to lock the tool plate to the grinding disc (C).

17. Carefully lift the product to operation position. Use the handlebar and the support frame for support.

18. Disengage the support frame.

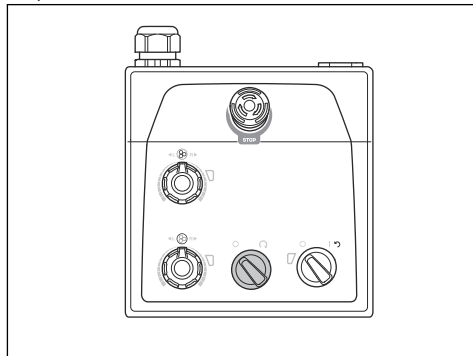
## To connect a dust extractor



**WARNING:** Do not use the dust extractor if the dust extractor hose is damaged. The risk increases that you breathe in dust that is dangerous to your health. Use approved respiratory protection.

1. Examine the dust extractor hose for damages.
2. Make sure that the filters in the dust extractor are clean and not damaged.

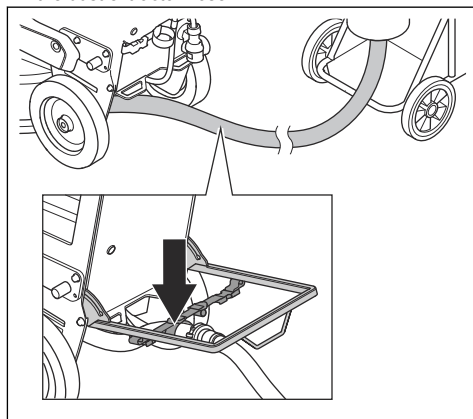
3. Make sure that the STOP/RUN switch on the control panel is set to 0.



4. Connect the dust extractor hose to the product.

5. Engage the support frame. Refer to *To engage and disengage the support frame on page 10*.

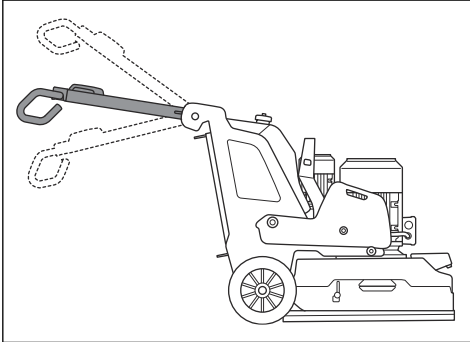
6. Hang the dust extractor hose on the suspension device on the support frame to prevent tension in the dust extractor hose.



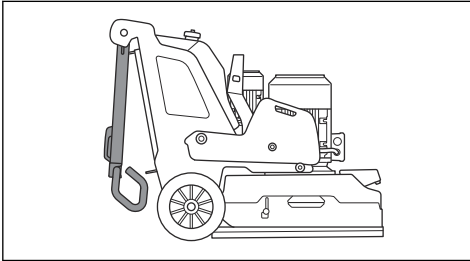
7. Disengage the support frame.

## Handle positions

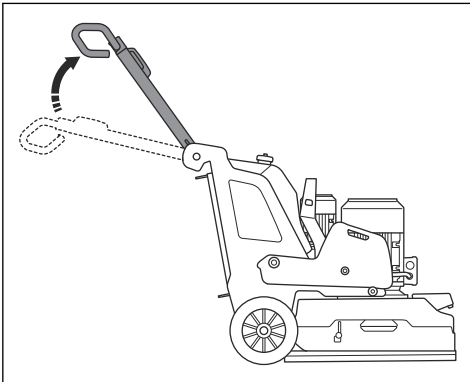
- Operation position of the handle:



- Transport position of the handle:



- Servicing position of the handle:



### To adjust the handle and the handlebar

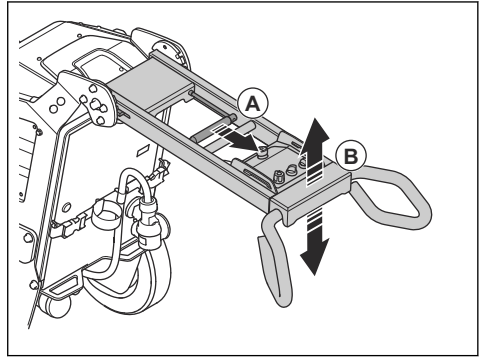


**WARNING:** Be careful when you adjust the handle and the handlebar. Make sure that the handle and the handlebar locks into position. The moving parts can cause injury.

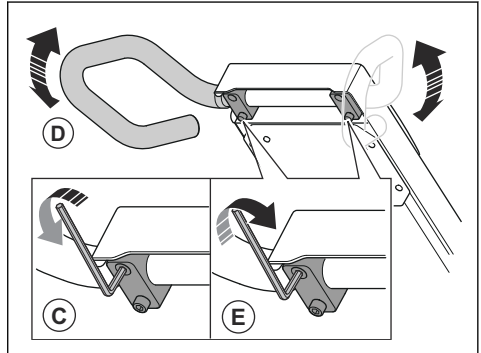
Set the handle height as close as possible to the height of the operators hip. During operation the product can

pull to the side. The hip of the operator can help to stop this movement to the side.

1. Pull the lock lever (A) on the handle in the direction of the control panel and hold it in this position.



2. Adjust the handle (B) to an applicable operation height.
3. Release the lock lever on the handle to lock the handle position.
4. Loosen the 4 screws (C) on the handlebar.

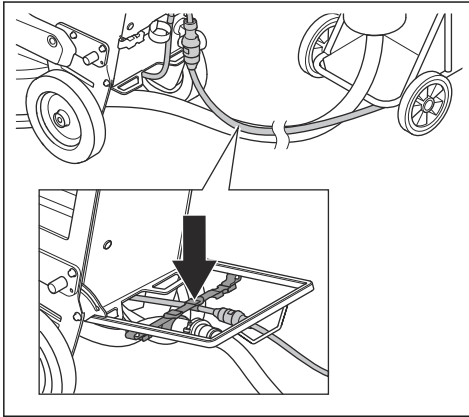


5. Adjust the handlebar (D) to an applicable operation height.
6. Tighten the 4 screws (E) on the handlebar to lock the handlebar position.

### To connect the product to a power source

1. Connect the power plug of the product to the extension cable.
2. Connect the extension cable to a mains outlet.
3. Engage the support frame. Refer to *To engage and disengage the support frame on page 10*.

4. Hang the power cord on the suspension device on the support frame to prevent tension in the power cord.



5. Disengage the support frame.



**CAUTION:** When the product is connected to a dust extractor, the dust extractor must be connected to a 3-phase power source.

## Operation speed

If the product is operated on a new surface type, set the speed to 70% initially. When the operator knows the surface type, the speed can be adjusted.

## Direction of rotation of the grinding head and the grinding discs

Seen from above the product, the direction of rotation is as follows:

- "R": clockwise
- "L": counterclockwise

The operation result is best when the grinding head and the grinding discs rotate in the same direction.

During operation the product can pull to the side. The direction of the pull is related to the direction of rotation. The product pulls to the right when the direction of rotation is set to "L". The product pulls to the left when the direction of rotation is set to "R".

The side pull can help you operate the product for example near a wall. Set the direction of rotation to pull in the direction of the wall.

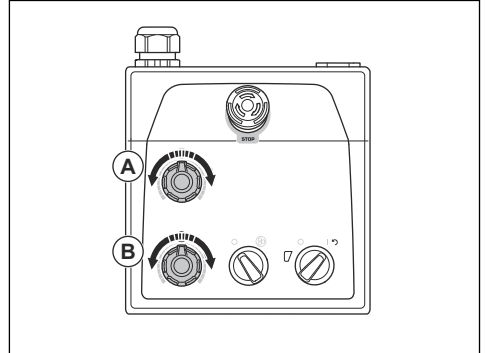


**CAUTION:** Steer the product carefully. Make sure that the product only lightly touches the wall. The product is heavy and can cause damage.

## To change the speed and direction of rotation of the motor

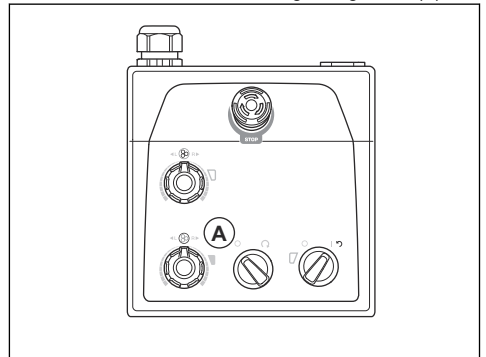
Change the direction of rotation regularly to increase the life and the sharpness of the diamond tools. The diamond tool segments are used equally and the contact surface continues to be as large as possible.

- To set the speed and direction of rotation of the grinding head, turn the potentiometer (A).
- To set the speed and direction of rotation of the grinding disc, turn the potentiometer (B).



## To operate the product

- Operate the product manually with the control panel on the handle. Refer to *Product overview, right side on page 3*.
- During operation, look for color changes in the indicator for the inverter to the grinding motor (A).



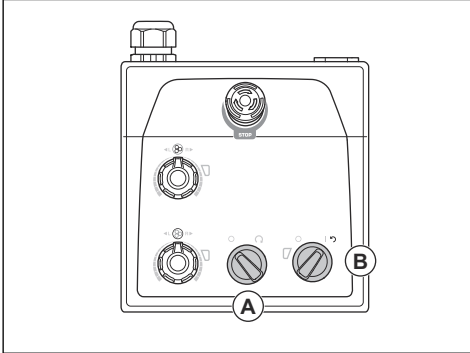
- Green light: the product operates correctly.
- Orange light: there is an overload in the grinding head. Decrease the power output in 10 seconds or less to prevent that a fault occurs.
- Red light: fault in the inverter and the grinding head stops. It is necessary to reset the product. Refer to *To reset the product on page 16*.

## To start the product



**CAUTION:** Move the product all the time while the grinding head is on. If you do not move the product, the surface can become rough.

1. Push down the handlebar slightly to lift the grinding head from the surface. This releases the surface friction of the diamond tools. Do not lift the grinding head fully from the surface during operation.
2. Turn the STOP/RUN switch (A) on the control panel counterclockwise to 0 to make sure that the grinding head is off.



3. Turn the ON/OFF switch (B) on the control panel to the arrow position to start the product. The LED adjacent to the ON/OFF switch comes on.
4. Turn the STOP/RUN switch on the control panel clockwise to start the grinding head. In less than 5 seconds, the product operates at idle speed.

## To stop the product

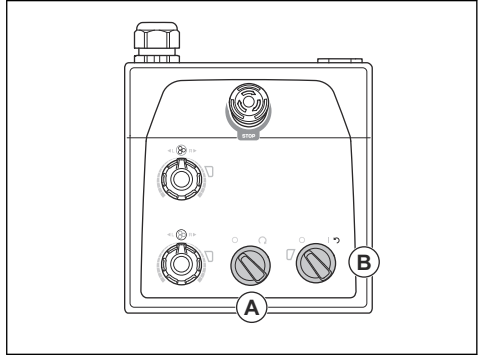


**CAUTION:** Do not lift the grinding head from the surface when you stop the motor. The tool plates rotate for a while after the motor stops. Dust can go into the air and the surface can become damaged.



**CAUTION:** Do not let the product become stationary until the tool plates stop fully.

1. Turn the STOP/RUN switch (A) on the control panel counterclockwise to 0 to stop the grinding head.



2. Keep the tool plates against the surface until they stop fully.

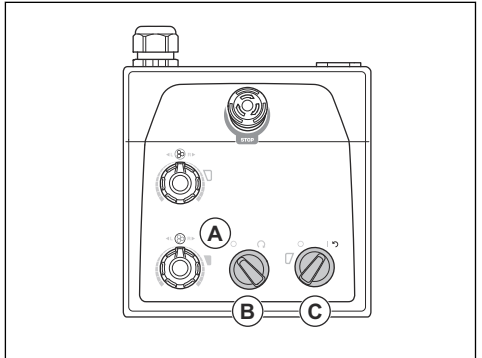


**CAUTION:** If you grind adhesive asphalt, paint or equivalent material, the product can attach to the adhesive surface. Immediately after the tool plate stopped fully, lift up the front of the grinding head a small distance.

3. Turn the ON/OFF switch (B) on the control panel to 0 to stop the product. The LED adjacent to the ON/OFF switch goes off.
4. Disconnect the power plug.

## To reset the product

The ON/OFF switch can be used as a reset switch if the inverter releases. Reset the product when the indicator inverter to the grinding motor (A) is red.



1. Turn the STOP/RUN switch (B) counterclockwise to 0 to make sure that the grinding head is off.
2. Turn the ON/OFF switch to the arrow position (C) to reset the product. The indicator for the inverter to the grinding motor is green when the fault is reset.

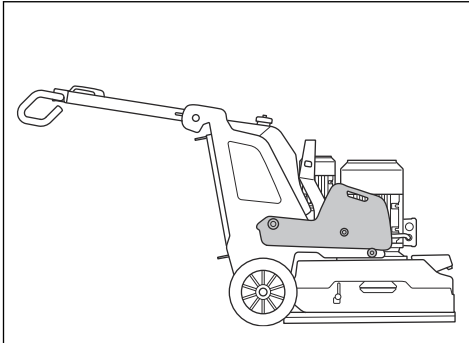


3. Turn the STOP/RUN switch on the control panel clockwise to start the grinding head again.

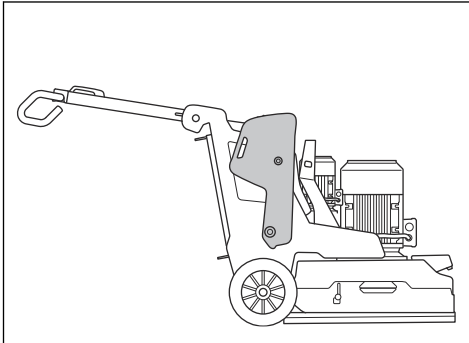
## Weights

The product has 1 weight on each side of the product. If the product is heavy to operate, adjust the weights to change the pressure on the grinding head. The weights must be adjusted to the same position on the right and the left side. The weights have 3 positions:

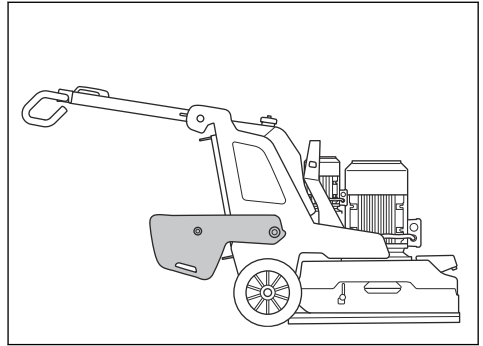
- Position 1: Maximum pressure on the grinding head. This position increases the operation effect. This position is also used when you set the product in transport position.



- Position 2: Standard pressure on the grinding head.



- Position 3: Minimum pressure on the grinding head. This position is also used when you tilt the product to servicing position.



## To adjust the weights

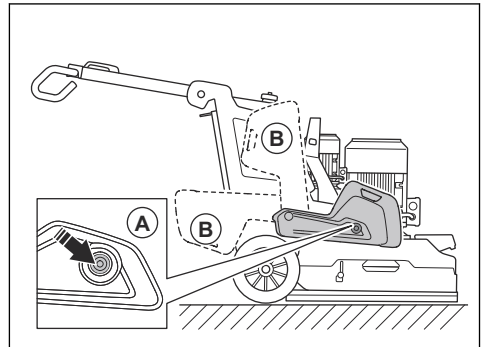


**WARNING:** Be careful when you adjust the weights. The moving parts can cause injury.



**WARNING:** Always make sure that the weight lock locks correctly when the weights are put in the selected position.

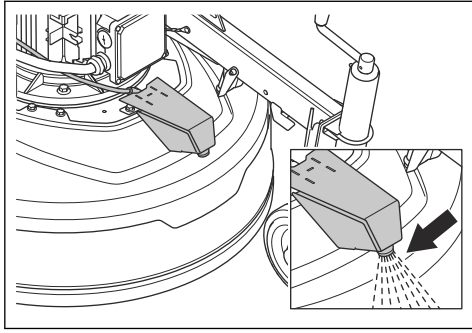
1. Push in the weight lock (A) and move the weight to a selected position (B) with the weight handle. Refer to *Weights on page 17*.



2. Release the weight lock to lock the weight in the selected position.

## The Mist Cooler System

The Mist Cooler System decreases the temperature of the grinding disc tools and makes the performance of the product better. The Mist Cooler System uses the water from the water tank. The nozzle of the Mist Cooler System supplies the water on the surface. The water flow level is adjusted with a switch on the cabinet door. When the level of water is low, the LED of the switch blinks in yellow.

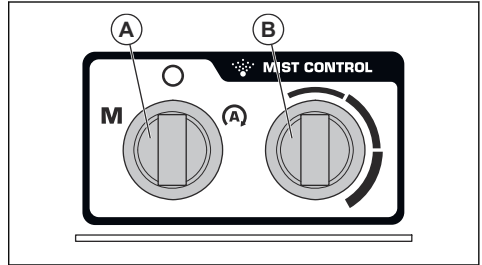


## To operate the mist function



**CAUTION:** Never point the mist nozzle of the product at electrical components.

1. Turn the mist control switch (A) on the cabinet door to set the mist function mode.



- Turn the mist control switch to M symbol to set the manual mode.
  - Turn the mist control switch to A symbol to set the automatic mode.
2. Turn the switch (B) to increase or decrease the water flow level.



**CAUTION:** Use an applicable equipment to fill the water tank. Do not let water to spill from the water tank.

The Mist Cooler System can be set to manual or automatic mode. The manual mode is always on when the product operates without the remote control. If the remote control is connected, button on the remote control starts the mist function. If grinding stops the mist function stops after 60s. The mist function in automatic mode starts and stops with the grinding.

## Maintenance

### Introduction



**WARNING:** Before you do maintenance, you must read and understand the safety chapter.

For all servicing and repair work on the product, special training is necessary. We guarantee the availability of professional repairs and servicing. If your dealer is not a service agent, speak to them for information about the nearest service agent.

For more detailed information, refer to .

### To do before the maintenance

- Use personal protective equipment. Refer to *Personal protective equipment on page 7*.
- Use approved respiratory protection. The dust from the product is dangerous to your health.

- Park the product on a level surface.
- Stop the motor and disconnect the power plug to prevent accidental start during maintenance.
- Clean the area around the product from oil and dirt. Remove unwanted objects.
- Set out clear signs to give a warning to bystanders that maintenance work is in progress.
- Keep fire extinguishers, medical supplies and an emergency phone near.

### Maintenance schedule

\* = General maintenance done by the operator. The instructions are not given in this operator's manual.

X = The instructions are given in this operator's manual.

O = The instructions are not given in this operator's manual. Let an approved service agent do the maintenance.

Maintenance	Daily	Weekly	Each 6 months	Each 12-36 months
Do a check of the ON/OFF switch.	*			
Do a check of the attachment points and the lock function for the handle.		*		
Do a check of the attachment points and the lock function for the weights.		*		

Maintenance	Daily	Weekly	Each 6 months	Each 12-36 months
Do a check of the emergency stop button.	X			
Clean the external surfaces of the product.	X			
Clean the internal components of the product.			O	
Do a general inspection.	X			
Do a check of the grinding discs.	X			
Do a function check of the drive system for the grinding head.		X		
Do the service on the drive system for grinding discs.				O
Do a check of the connection between chassis and grinding head.		*		

## To clean the product



**CAUTION:** A blocked air intake decreases the performance of the product and can cause the motor to become too hot.

- Remove blockage from all air openings. The product must always have sufficiently cool temperature.
- Always disconnect the power plug from the mains outlet before you clean.
- Do not use chemicals to clean the product.
- Do not clean electrical components with water.
- Always clean all the equipment at the end of the work day.
  - a) Tilt the product until the handlebar is on the floor.
  - b) Remove the diamond tools and operate the product for a short period at the lowest speed. Operate the product to decrease the quantity of dust at the top surface of the grinding head.
  - c) Clean the components at the bottom surface of the grinding head with a high-pressure washer.

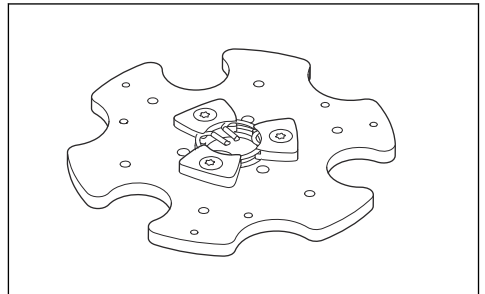


**CAUTION:** Do not point the high-pressure washer directly at seals or connection points.

## To do a general inspection

- Make sure that the power cord and extension cable are in good condition and not damaged.
- Make sure that nuts and screws are tight.
- Make sure that the skirt is in good condition and safe to work.
- Make sure that the cover moves freely and it is in a correct position against the floor.

- Make sure that the center lock for the tool plate is clean and turns easily.



## Drive system for grinding head

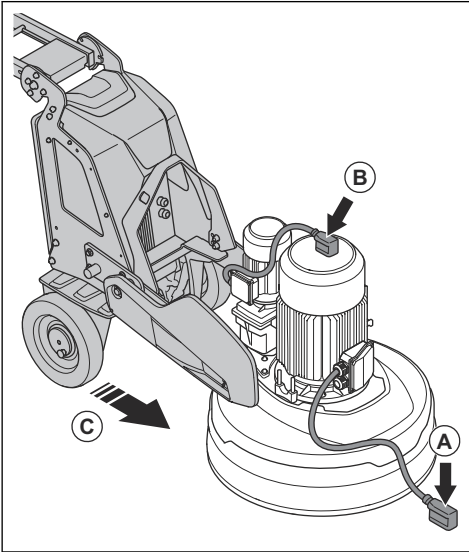
The drive system for the grinding head is a closed system. If you have problems with the drive system of the grinding head, speak to your Husqvarna service agent.

## To install and remove the grinding head

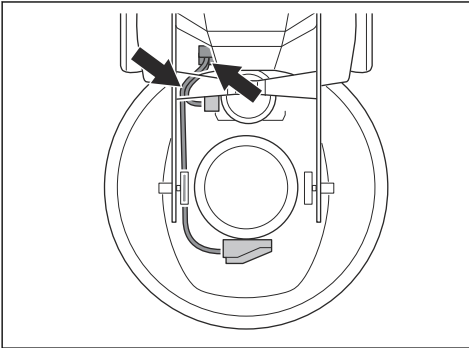


**WARNING:** The chassis is not balance when the grinding head is removed. Make sure that the chassis can not fall. It can cause injury or damage.

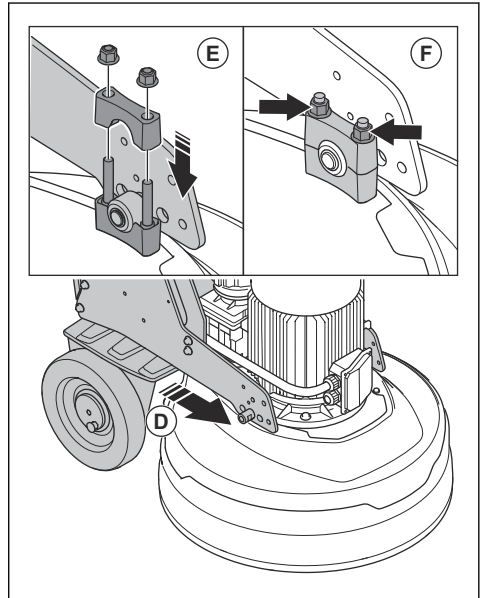
1. Put the front motor cable (A) in front of the grinding head.



2. Put the rear motor cable (B) on top of the motor.
3. Push the chassis near the grinding head (C).
4. Put the motor cables through the slot between the grinding head and the chassis.



5. Push the chassis fully against the grinding head (D). Make sure that the chassis attaches to the bracket on the grinding head.

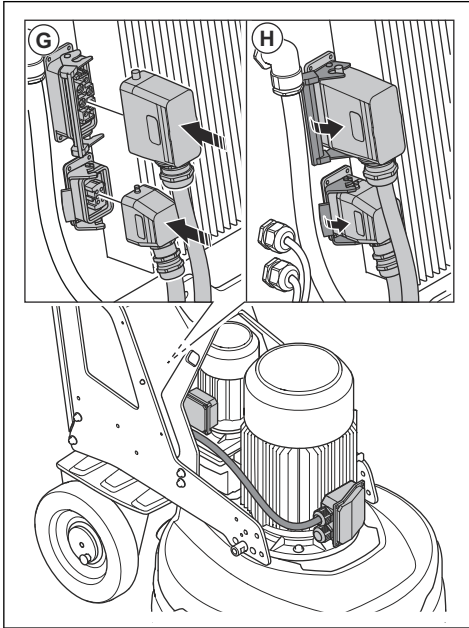


6. Install the second bracket (E) on top of the bracket on the grinding head.
7. Tighten the 2 nuts (F) on each side of the grinding head.

8. Connect the motor cables to the electrical outlets (G) on the electrical enclosure.

9. Lock the motor cables to the electrical outlets (H) on the electrical enclosure.

10. Remove the grinding head in opposite sequence.



## Troubleshooting

Problem	Cause	Solution
The product does not start.	The extension cable is disconnected or damaged.	Connect the extension cable or if it is necessary, replace the extension cable.
	An emergency stop button is engaged.	Turn the emergency stop button on the control panel clockwise to disengage.
	The safety switch is open in the electrical enclosure.	Close the safety switch to complete the circuit.

<b>Problem</b>	<b>Cause</b>	<b>Solution</b>
The product is not easy to hold on to.	Too small number of diamond tools are installed on the product.	Increase the number of diamond tools to decrease load on the product and operator.
	The grinding drive motor does not operate.  This can be caused by fault with motor or fault with wire to the motor.	Make sure that the grinding drive motor is connected.  If the problem stays, speak to an approved service agent.
	The belt is broken.	If the belt is broken, let a service center replace it.  Turn one of the grinding discs by hand. If all grinding discs rotate together, the belt is not damaged. If 1 grinding disc rotates freely, then the belt is broken.
	Only 1 phase comes into the product. The product will not receive an error code and will use <1 A motor current. The fan rotates slowly.	Do a check of the power supply.
	The surface or the operation uses too much of the product capacity.	Adjust the speed of the motor and/or the forward speed of the product across the floor.
The product makes an irregular scratch pattern.	The diamond tools are incorrectly attached or attached at different heights on the grinding discs.	Make sure that all diamond tools are installed correctly and have the same height.
	The diamond tools are of mixed types.	Make sure that all segments are the same diamond grit and bond. If the diamond segments are rough, space out the rough diamond segments equally. Operate the product on an abrasive surface until all segments have the same height.
	The head locks are loose or missing.	Make sure that all head locks are in position and tightened.
	The resin tools are mixed or have unwanted contamination.	Make sure that all resins are the same diamond grit and bond and that there is no contamination. To clean the resin tools, operate them for a short time on a lightly abrasive surface.
	The grinding discs are worn or damaged.	Do a check on the grinding discs for broken sections or too much movement.
There are sudden unwanted movements in the product.	The grinding discs are worn or damaged.	Examine the grinding discs for damaged parts and too much movement.
	The diamond tools are incorrectly attached or attached at different heights on the grinding discs.	Make sure that all diamond tools are installed correctly and that all have the same height.
The internal circuit breaker releases.	Too high a load or not sufficient power supply.	Do a check of the power supply.
		Decrease the grinding pressure, increase the number of diamond tools or increase the bond hardness.

Problem	Cause	Solution
There is no flow of the water or the flow is not sufficient.	The water tank is empty.	Fill the water tank.
	There is dust in the nozzle.	Disconnect the supply hose and clean the nozzle.
	The water system is clogged.	Disconnect the supply hose and flush the water tank until you can see the clean water.

## Transportation, storage and disposal

### Transportation



**WARNING:** Be careful during transportation. The product is heavy and can cause injury or damage if it falls or moves during transportation.

The wheels let you move the product shorter distances. For longer distances, lift the product to move it or put the product on a vehicle.



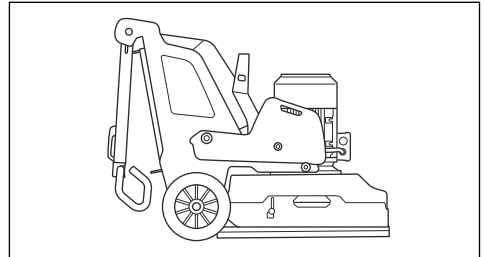
**CAUTION:** Do not tow the product behind a vehicle.

- Be very careful when you move the product manually or on surfaces with a slope. Small slopes can result in a fast movement that is not possible to brake by hand.
- Safely attach the product during transportation. Make sure that it cannot move.
- Put some type of protection on the product during transportation. The protection keeps natural elements such as rain and snow away from the product.
- Always use the lifting eye on the product when you lift the product.
- Do not lift the product by the handlebar, motor, chassis or other parts.
- Transportation is best done on a pallet.
- Always lift the product with a lift or forklift.
- Do not use a forklift if the product is not put on a pallet or carriage. This can cause damage to the grinding discs and other internal components.
- During transportation, the grinding head must be on the ground. To prevent damage to the lock mechanism of the tool plates, keep the tool plates installed.

### To set the product in transport position

- Lift and turn the cover to lock it. This protects the dust skirt from damage during transportation.

- Fold down the handle. Refer to *To adjust the handle and the handlebar on page 14.*



- If the weights are attached to the product, adjust the weights to forward position. Refer to *To adjust the weights on page 17.*
- Make sure that the grinding head touches the surface.

### To move the product up and down a ramp



**WARNING:** Be very careful when you move the product up and down ramps with the motor on. The product is heavy and there is a risk of injury if the product falls or moves too quickly.



**WARNING:** For ramps with a steep slope, always use a winch. Do not walk or stay below the product. Do not stay in the product risk area. Refer to *Work area safety on page 7.*



**WARNING:** Do not move the product on steep slopes. Look at the rating plate on the product for information about the maximum slope angle.

- To move the product down a ramp, operate the product rearward slowly.
- To move the product up a ramp, operate the product forward slowly.

- Do not turn the product more than 45° on a ramp.

## To lift the product



**WARNING:** Make sure that the lifting equipment has the correct specification to lift the product safely. The rating plate on the product shows the product weight.

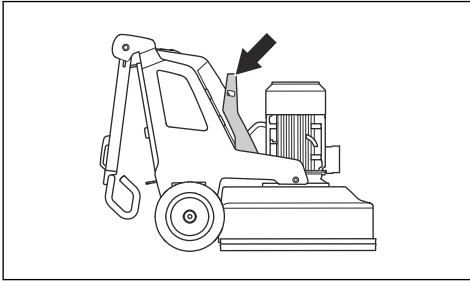


**WARNING:** Do not walk or stay below or near a lifted product. Keep bystanders away from the risk area. Refer to *Work area safety on page 7*.



**WARNING:** Do not lift a damaged product. Make sure that the lifting eye is correctly installed and not damaged.

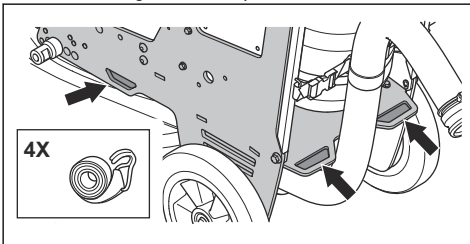
1. Set the product in transport position. Refer to *To set the product in transport position on page 23*.
2. Attach the lifting equipment at the lifting eye.



## To attach the product to a transportation vehicle

The product has tie-down points that are used with tie-down straps to attach the product to the transportation vehicle.

1. Attach the metal hooks of tie-down straps in the tie-down points. Be careful because sharp edges can cause damage to the straps.



2. Attach and tighten the tie-down straps to the vehicle.

## Storage



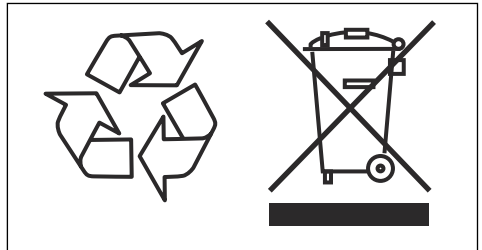
**CAUTION:** Do not put the product in storage outdoors. Always keep the product indoors.

- Keep the product in a dry and frost free area.
- Clean the product and do a complete servicing before you put the product in storage.
- Keep the grinding head on the ground.
- Keep the product in a locked area to prevent access for children or persons that are not approved.

## Disposal

Symbols on the product or the packaging of the product indicate that this product cannot be handled as domestic waste. It must be submitted to an appropriate recycling station for the recovery of electrical and electronic equipment.

By ensuring that this product is taken care of correctly, you can help to counteract the potential negative impact on the environment and people that can otherwise result through the incorrect waste management of this product. For more detailed information about recycling this product, contact your municipality, your domestic waste service or the shop from where you purchased the product.





## Technical data

### Technical data

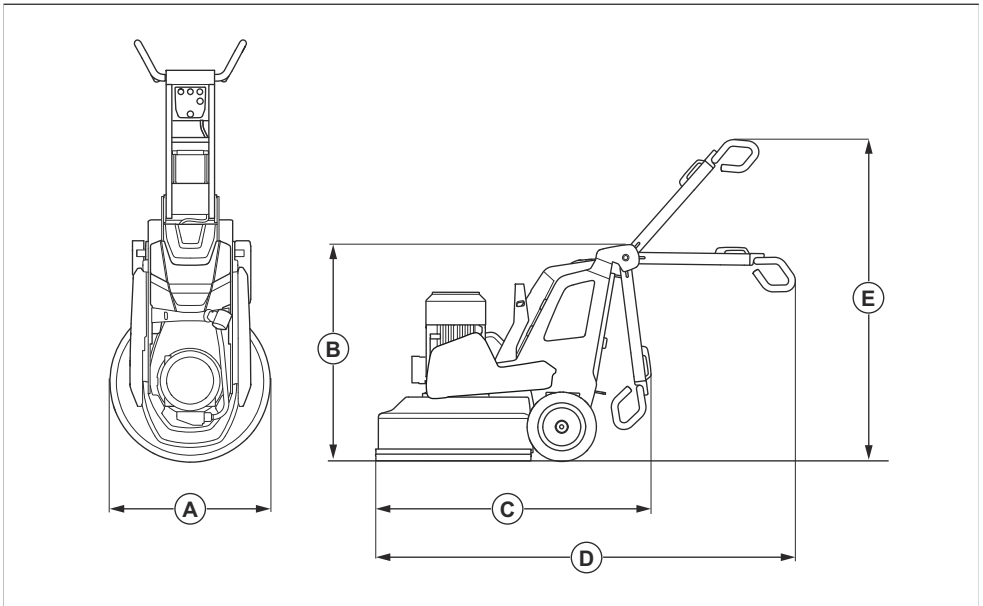
	<b>PG 8 D</b> <b>3x380-415 V</b>
Motor power, kW/hp	11/15
Rated current, A	30
Rated voltage, V	380-415
Phases	3-phase
Frequency, Hz	50-60
Weight, kg/lbs	497/1096
Grinding width, mm/in.	800/31.5
Grinding disc, mm/in.	3X270/10.5
Grinding pressure, kg/lbs	238/524
Grinding pressure with support wheel, kg/lbs	255/561
Weight in position 1 (forward), kg/lbs	298/656
Weight in position 1 (forward) with support wheel, kg/lbs	315/693
Weight in position 2 (vertical), kg/lbs	249/548
Weight in position 2 (vertical) with support wheel, kg/lbs	266/585
Weight in position 3 (rearward), kg/lbs	195/429
Weight in position 3 (rearward) with support wheel, kg/lbs	212/466
Grinding disc speed, min/max rpm	421-1403
Grinding head speed, min/max rpm	28-92
Direction of rotation (from above)	Grinding head: clockwise Grinding disc: counterclockwise
Max. gradient, degrees °	10
Enclosure, IP	54
<b>Recommended dust extractor <sup>1</sup></b>	
Dust extractor attachment, mm/in.	76/3
Min. Air flow, m <sup>3</sup> /h /CFM	815/480
Min. Vacuum, kPa/psi	30/4.4

<sup>1</sup> Technical data for dust extractors are not conclusively describing actual performance over time between different dust extractors. For Husqvarna products OSHA objective data are available at [www.husqvarnaccp.com/us](http://www.husqvarnaccp.com/us).

## Sound levels

<b>Noise emissions</b> <sup>2</sup>	
Sound power level, measured $L_W$ (dB(A))	95.4
<b>Sound levels</b> <sup>3</sup>	
Sound pressure level at the operators ear, $L_p$ (dB(A))	78.7
<b>Vibration levels</b> <sup>4</sup>	
Handle right, $m/s^2$	1.7
Handle left, $m/s^2$	1.5

## Product dimensions



<b>A</b>	Width, mm/in.	830/32.7
<b>B</b>	Min. total height (handle folded), mm/in.	1145/45.1
<b>C</b>	Min. total length (handles folded), mm/in.	1550/61

<sup>2</sup> Noise emission in the environment measured as sound power according to EN 60335-2-72. Expected measurement uncertainty 2,5 dB(A).

<sup>3</sup> Sound pressure level according to EN 60335-2-72. Expected measurement uncertainty 4 dB(A).

<sup>4</sup> Vibration level according to EN 60335-1 and EN 60335-2-72. Reported data for vibration level has a typical statistical dispersion (standard deviation) of 1  $m/s^2$ . The vibration values are valid for manual operation.

<b>D</b>	Max. total length (handles extended), mm/in.	2215/87.2
<b>E</b>	Max. total height (handles extended), mm/in.	1700/66.9

---

# Declaration of Conformity

---

## EU Declaration of Conformity

We Husqvarna AB, SE-561 82 Huskvarna, Sweden, tel:  
+46 36 146500, declares on our sole responsibility that  
the product:

Description	Floor grinder
Brand	HUSQVARNA
Type/Model	PG 8 D
Identification	Serial numbers dating from 2024 and onwards

complies fully with the following EU directives and  
regulations:

Directive/Regulation	Description
2006/42/EC	"relating to machinery"
2014/30/EU	"relating to electromagnetic compability"
2011/65/EU	"relating to restriction of hazardous substances"

and that the following standards and/or technical  
specifications are applied;

EN ISO 11201:2010

EN 60335-2-72:2012

EN 61000-3-2:2014

EN IEC 61000-3-2:2019+A1:2021

EN 61000-3-3:2013+A1:2019+ A2:2021

EN 61000-6-2:2005/AC:2005

EN IEC 61000-6-2:2019

EN 61000-6-4:2007+A1:2011

EN IEC 61000-6-4:2019

Partille, 2024-05-24

Husqvarna AB, Construction Division  
Responsible for technical documentation



A handwritten signature in black ink, appearing to read 'Martin Huber', with a long horizontal line extending from the end of the signature.

Martin Huber

R&D Director, Concrete Surfaces & Floors

# UK Declaration of Conformity

We Husqvarna AB, SE-561 82 Huskvarna, Sweden, tel:  
+46- 36-146500, declares on our sole responsibility that  
the product:

Description	Floor grinder
Brand	HUSQVARNA
Type/Model	PG 8 D
Identification	Serial numbers dating from 2024 and onwards

complies fully with the following UK regulations:

<b>Regulations</b>
The Supply of Machinery (Safety) Regulations 2008
Electromagnetic Compatibility Regulations 2016
The Restriction of the Use of Certain Hazardous Substances in Electrical and Electronic Equipment Regulations 2012

and that the following standards and/or technical specifications are applied;

EN ISO 11201:2010

EN 60335-2-72:2012

EN 61000-3-2:2014

EN IEC 61000-3-2:2019+A1:2021

EN 61000-3-3:2013+A1:2019+ A2:2021

EN 61000-6-2:2005/AC:2005

EN IEC 61000-6-2:2019

EN 61000-6-4:2007+A1:2011

EN IEC 61000-6-4:2019

Partille, 2024-05-24



UK Importer:  
Husqvarna UK Ltd  
Preston Road, Co. Durham  
DL5 6UP

A handwritten signature in black ink, appearing to read 'Martin Huber', with a long horizontal stroke extending to the right.

Martin Huber

R&D Director, Concrete Surfaces & Floors

Husqvarna AB, Construction Division

Responsible for technical documentation

---

## Inhalt

---

Einleitung.....	30	Fehlersuche.....	50
Sicherheit.....	34	Transport, Lagerung und Entsorgung.....	52
Betrieb.....	38	Technische Daten.....	55
Wartung.....	47	Konformitätserklärung.....	58

---

## Einleitung

---

### Gerätebeschreibung

Das Gerät ist ein Bodenschleifer für Oberflächen unterschiedlicher Härte.

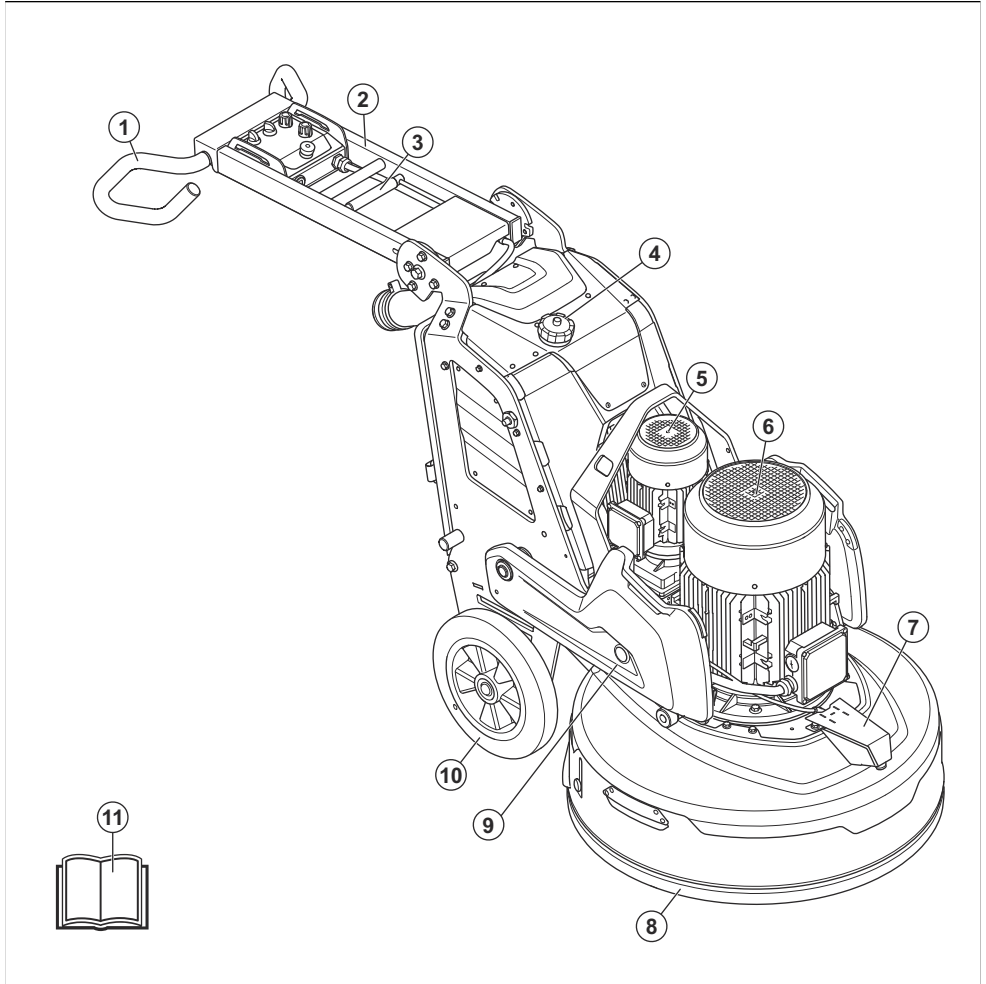
### Verwendungszweck

Das Gerät wird zum Schleifen von Oberflächen von Materialien mit unterschiedlichen Härten wie Naturstein,

Terrazzo und Beton verwendet. Sie können das Gerät auch zum Schleifen von Abdeckmaterialien wie Epoxidharz und Klebstoff verwenden. Die Oberfläche kann rau oder glatt sein. Das Gerät kann zum Trocken- und Nassschleifen verwendet werden. Verwenden Sie das Gerät nicht für andere Aufgaben.

Das Gerät ist für den gewerblichen Betrieb und für professionelle Bediener vorgesehen.

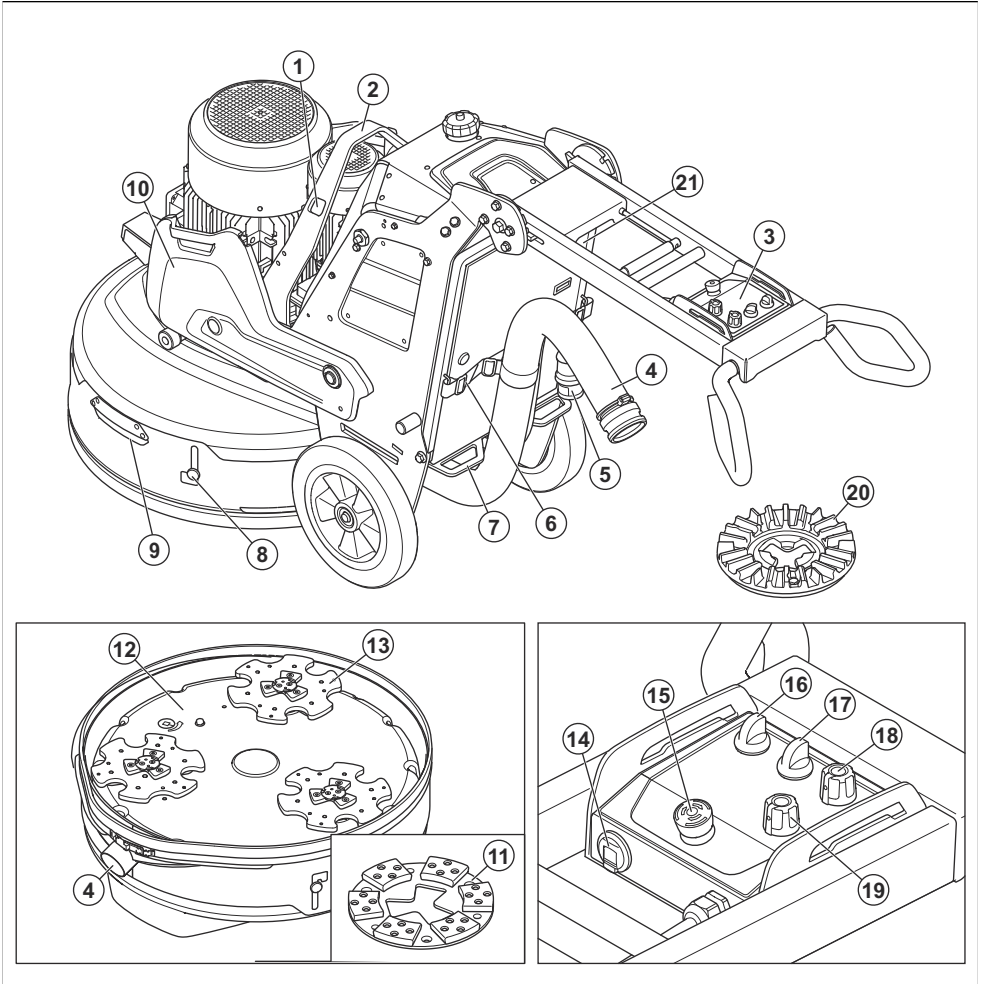
## Geräteübersicht, rechte Seite



1. Handgriff
2. Handgriff
3. Verriegelungshebel für GriffEinstellung
4. Wassertank
5. Schleifkopfmotor
6. Schleifscheibenmotor

7. Verneblerdüse
8. Schwimmaddeckung
9. Gewichte
10. Rad
11. Bedienungsanleitung

## Geräteübersicht, linke Seite



1. Löcher für Windgurte

2. Hebeöse

3. Bedienfeld

4. Anschluss für Staubabsauger

5. Netzkabel

6. Aufhängevorrichtung für Staubabsauger und Netzkabel

7. Verzurrpunkt

8. Transportsicherung der Schwimmabdeckung

9. Griff der Schwimmabdeckung

10. Gewichte

11. Werkzeugplatte

12. Schleifkopf

13. Schleifscheibe

14. USB-Ladegerät

15. Not-Aus-Taste

16. ON/OFF-Schalter

17. START/STOP-Schalter

18. Regler für Rotationsrichtung und Drehzahl der Schleifscheibe

19. Regler für Rotationsrichtung und Drehzahl des Schleifkopfs

20. EZ Airflow-Werkzeugplatte

21. Schalter für Vernebler-Funktion



## Symbole auf dem Gerät



**WARNUNG:** Dieses Gerät kann gefährlich sein und schwere oder tödliche Verletzungen des Bedieners oder anderer Personen verursachen. Gehen Sie vorsichtig vor, und verwenden Sie das Gerät ordnungsgemäß.



Lesen Sie die Bedienungsanleitung sorgfältig durch, und machen Sie sich mit den Anweisungen vertraut, bevor Sie das Gerät verwenden.



Tragen Sie Gehörschutz, Augenschutz und Atemschutz. Siehe *Persönliche Schutzausrüstung auf Seite 35*.



Der Staub kann zu gesundheitlichen Problemen führen. Tragen Sie einen zugelassenen Atemschutz. Sorgen Sie immer für eine gute Luftzirkulation.



Heben Sie das Gerät immer an der Huböse an.



Verwenden Sie die Löcher für Zurrgurte, um das Gerät an einem Transportfahrzeug zu befestigen.



Das Gerät ist kein Hausmüll. Recyceln Sie es an einer offiziellen Recyclingstation für elektrische und elektronische Geräte.



Dieses Gerät entspricht den geltenden EU-Richtlinien.



Dieses Gerät entspricht den geltenden UK-Richtlinien.



Dieses Gerät stimmt mit den geltenden Richtlinien der eurasischen Zollunion überein.



RoHS-Symbol für China für den Zeitraum, in dem die umweltfreundliche Nutzung gegeben ist (EUFP).



Geräuschemissionen an die Umwelt gemäß EU- und UK-Richtlinien und -Vorschriften. Der garantierte Schallleistungspegel des Geräts ist unter *Technische Daten auf Seite 55* sowie auf dem Etikett angegeben.

**Hinweis:** Sonstige Symbole/Aufkleber auf dem Gerät beziehen sich auf spezielle Zertifizierungsanforderungen, die in bestimmten Ländern gelten.

## Symbole auf der Bedientafel



Not-Aus.



Gerät eingeschaltet und Zurücksetzen des Geräts.

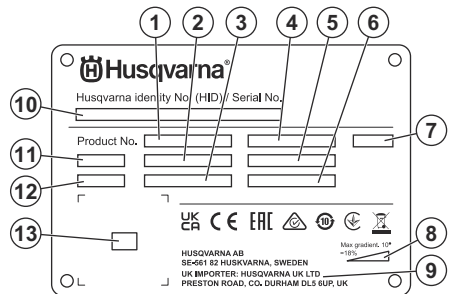


Schleifkopf eingeschaltet.



Drehzahl und Rotationsrichtung, Schleifscheibe.

## Typenschild



1. Gerätenummer
2. Gerätegewicht
3. Nennleistung
4. Nennspannung
5. Nennstrom
6. Häufigkeit
7. Gehäuse
8. Maximaler Neigungswinkel
9. Hersteller/Importeur
10. Seriennummer
11. Modell
12. Baujahr

Husqvarna Fleet Services™ ist eine Cloud-Lösung, die dem Bediener einen Überblick über alle angeschlossenen Geräte gibt. An diesem Gerät kann ein Husqvarna Fleet Services™-Sensor montiert werden. Der Husqvarna Fleet Services™-Sensor sammelt Gerätedaten und ermöglicht eine Verbindung zum Husqvarna Fleet Services™-System. Der Husqvarna Fleet Services™-Sensor übermittelt Daten wie die Betriebszeit, Wartungsintervalle und den Standort des Geräts.

Weitere Informationen über Husqvarna Fleet Services™ erhalten Sie, wenn Sie die Husqvarna Fleet Services™-App herunterladen oder mit Ihrem Vertreter von Husqvarna sprechen.

## Produktschäden

Wir haften nicht für Schäden an unserem Produkt, wenn:

- das Gerät nicht ordnungsgemäß repariert wird.
- das Gerät mit Teilen repariert wird, die nicht vom Hersteller stammen oder nicht vom Hersteller zugelassen sind.
- ein Zubehörtteil mit dem Gerät verwendet wird, das nicht vom Hersteller stammt oder nicht vom Hersteller zugelassen ist.
- das Gerät nicht bei einem zugelassenen Service Center oder von einem zugelassenen Fachmann repariert wird.

---

## Sicherheit

---

### Sicherheitsdefinitionen

Warnungen, Vorsichtsmaßnahmen und Hinweise werden verwendet, um auf besonders wichtige Teile der Bedienungsanleitung hinzuweisen.



**WARNUNG:** Wird verwendet, wenn bei Nichtbeachtung der Anweisungen in diesem Handbuch die Gefahr von Verletzung oder Tod des Bedieners oder anderer Personen besteht.



**ACHTUNG:** Wird verwendet, wenn bei Nichtbeachtung der Anweisungen in diesem Handbuch die Gefahr von Schäden am Gerät, an anderen Materialien oder in der Umgebung besteht.

**Hinweis:** Für weitere Informationen, die in bestimmten Situationen nötig sind.

### Allgemeine Sicherheitshinweise



**WARNUNG:** Lesen Sie die folgenden Warnhinweise, bevor Sie das Gerät verwenden.

- Dieses Gerät ist ein gefährliches Werkzeug, wenn Sie nicht aufpassen oder es unsachgemäß verwenden. Dieses Gerät kann schwere oder tödliche Verletzungen des Bedieners oder anderer Personen verursachen. Es ist sehr wichtig, dass Sie vor der Anwendung des Produkts den Inhalt dieser Bedienungsanleitung gelesen und verstanden haben.
- Der Gebrauch dieses Geräts ist Personen (einschließlich Kindern), die über eingeschränkte körperliche, sensorische oder geistige Fähigkeiten

verfügen oder denen es an der erforderlichen Erfahrung und Kenntnissen mangelt, untersagt.

- Bewahren Sie alle Warn- und Sicherheitshinweise auf.
- Halten Sie alle geltenden Gesetze und Vorschriften ein.
- Der Bediener und dessen Arbeitgeber müssen die mit dem Betrieb des Geräts verbundenen Gefahren kennen und vermeiden.
- Untersagen Sie allen Personen die Benutzung des Geräts, bis diese den Inhalt der Bedienungsanleitung gelesen und verstanden haben.
- Verwenden Sie das Gerät nicht, ohne vorher dafür geschult worden zu sein. Stellen Sie sicher, dass alle Bediener Schulungen erhalten.
- Lassen Sie nicht zu, dass Kinder das Gerät verwenden.
- Es dürfen nur zugelassene Personen mit dem Gerät arbeiten.
- Der Bediener ist für Unfälle verantwortlich, die anderen Personen zustoßen oder an deren Eigentum entstehen.
- Verwenden Sie das Gerät nicht, wenn Sie müde oder krank sind oder unter Einfluss von Alkohol, Drogen oder Medikamenten stehen.
- Lassen Sie immer Vorsicht walten, und arbeiten Sie mit gesundem Menschenverstand.
- Dieses Gerät erzeugt beim Betrieb ein elektromagnetisches Feld. Dieses Feld kann sich unter bestimmten Bedingungen auf die Funktionsweise aktiver oder passiver medizinischer Implantate auswirken. Um die Gefahr von Situationen, die zu schweren oder tödlichen Verletzungen führen können, zu verringern, sollten Personen mit einem medizinischen Implantat vor der Nutzung dieses Gerätes mit ihrem Arzt und dem Hersteller des Implantats sprechen.

- Halten Sie das Gerät sauber. Stellen Sie sicher, dass Symbole und Aufkleber deutlich lesbar sind.
- Verwenden Sie das Gerät nicht, wenn es beschädigt ist.
- Nehmen Sie keine Modifikationen am Gerät vor.
- Bedienen Sie das Gerät nicht, wenn die Möglichkeit besteht, dass andere Personen Modifikationen daran vorgenommen haben.

## Sicherheitshinweise für den Betrieb



**WARNUNG:** Lesen Sie die folgenden Warnhinweise, bevor Sie das Gerät benutzen.

- Tragen Sie eine persönliche Schutzausrüstung. Siehe *Persönliche Schutzausrüstung auf Seite 35*.
- Entfernen Sie sich nicht vom Gerät, wenn der Motor eingeschaltet ist.
- Trennen Sie immer das Stromkabel, bevor Sie sich vom Gerät entfernen.
- Ziehen Sie nicht am Schlauch des Staubabsaugers. Das Gerät kann herunterfallen und Verletzungen oder Schäden verursachen.
- Der Schleifkopf muss die Oberfläche berühren, wenn Sie das Gerät starten. Dies gilt nicht, wenn Sie den EIN/AUS-Schalter überprüfen.
- Betreiben Sie das Gerät nicht ohne Staubschürze. Die Staubschürze muss zwischen dem Gerät und dem Boden vollständig abdichten.
- Halten Sie sich von Bereichen fern, in denen das Gerät Verletzungen verursachen kann. Das Gerät kann schnell die Position ändern und Sie treffen.
- Wenn das Gerät nicht ordnungsgemäß funktioniert, stoppen Sie den Motor.
- Achten Sie darauf, dass sich Kleidung, langes Haar und Schmuck nicht in beweglichen Teilen verfangen können.
- Stellen Sie sicher, dass Sie während der Arbeit eine sichere und stabile Position einnehmen.
- Bedienen Sie das Gerät nur dann, wenn Sie bei einem Unfall Hilfe bekommen können.
- Wenn Vibrationen im Gerät auftreten oder es ungewöhnlich laut ist, stoppen Sie es umgehend. Untersuchen Sie das Gerät auf beschädigte Teile. Reparieren Sie Schäden, oder lassen Sie die Reparatur in einer zugelassenen Servicewerkstatt durchführen.
- Eine übermäßige Belastung durch Vibrationen kann bei Personen mit verminderter Durchblutung Kreislauf- oder Nervenschäden verursachen. Suchen Sie einen Arzt auf, wenn Sie an Ihrem Körper Symptome feststellen, die darauf hinweisen, dass Sie zu starken Vibrationen ausgesetzt waren. Einschlafen von Körperteilen, Gefühlsverlust, Kitzeln, Stechen, Schmerz, Verlust oder Beeinträchtigung der normalen Körperkraft, Veränderungen der Hautfarbe oder der Hautbeschaffenheit. Diese Beschwerden treten

normalerweise in den Fingern, Händen und Handgelenken auf.

- Stellen Sie das Gerät nicht auf einem Hang ab. Wenn Sie das Gerät an einem Hang abstellen müssen, stellen Sie sicher, dass das Gerät sich nicht bewegen oder umfallen kann. Es besteht die Gefahr von Verletzungen und Schäden am Gerät.
- Seien Sie sehr vorsichtig, wenn Sie an Hängen arbeiten. Das Gerät ist schwer und kann beim Abrutschen schwere Verletzungen verursachen.
- Bewegen Sie das Gerät nicht an steilen Hängen. Informationen zum maximalen Neigungswinkel finden Sie auf dem Typenschild des Geräts.
- Verwenden Sie immer zugelassenes Zubehör. Ihr Händler steht Ihnen gern für weitere Informationen zur Verfügung.

## Persönliche Schutzausrüstung



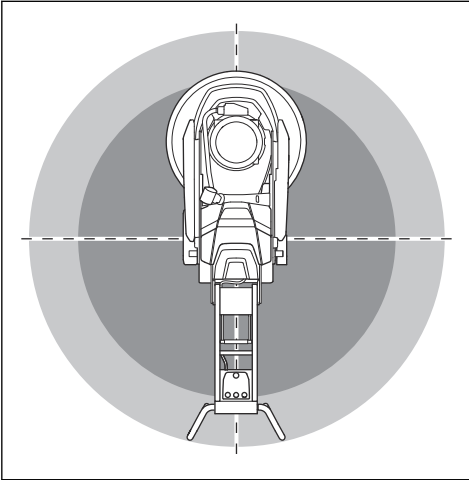
**WARNUNG:** Lesen Sie die folgenden Warnhinweise, bevor Sie das Gerät benutzen.

- Verwenden Sie immer geeignete persönliche Schutzausrüstung bei der Benutzung des Geräts. Das Tragen persönlicher Schutzausrüstung schließt das Risiko von Verletzungen nicht aus. Das Tragen persönlicher Schutzausrüstung verringert das Ausmaß der Verletzungen bei einem Unfall. Lassen Sie sich von Ihrem Händler bei der Auswahl der richtigen Ausrüstung unterstützen.
- Tragen Sie einen zugelassenen Augenschutz beim Arbeiten mit dem Gerät.
- Tragen Sie keine lose, schwere und ungeeignete Kleidung. Tragen Sie Kleidung, in der Sie sich ungehindert bewegen können.
- Verwenden Sie zugelassene Schutzhandschuhe, die einen festen Griff ermöglichen.
- Tragen Sie Schutzhandschuhe aus Gummi, um Hautreizungen durch feuchten Beton vorzubeugen.
- Verwenden Sie einen zugelassenen Schutzhelm.
- Tragen Sie stets einen zugelassenen Gehörschutz beim Arbeiten mit dem Gerät. Lärmbelastung über einen längeren Zeitraum kann zu lärmbedingten Hörschäden führen.
- Das Gerät erzeugt Staub und Dämpfe, die gefährliche Chemikalien enthalten. Verwenden Sie einen zugelassenen Atemschutz.
- Tragen Sie Stiefel mit Stahlkappen und rutschfesten Sohlen.
- Vergewissern Sie sich, dass Sie einen Erste-Hilfe-Kasten griffbereit haben.
- Beim Arbeiten mit dem Gerät können Funken entstehen. Vergewissern Sie sich, dass Sie einen Feuerlöscher griffbereit haben.

## Sicherheit im Arbeitsbereich

- Halten Sie während des Betriebs umstehende Personen vom in der folgenden Abbildung gezeigten

Bereich fern. Der Bediener muss in diesem Bereich während des Betriebs sehr vorsichtig sein.



**WARNUNG:** Hochspannung. Das Antriebsaggregat enthält ungeschützte Teile. Trennen Sie immer den Netzstecker, bevor Sie die Klappe des Schaltkastens öffnen.



**ACHTUNG:** Die Stromversorgung aus dem Gerät oder vom Generator muss ausreichend und konstant sein, um einen störungsfreien Betrieb des Motors sicherzustellen. Eine falsche Spannung führt dazu, dass der Stromverbrauch und die Temperatur des Motors ansteigen, bis der Sicherheitskreis ausgelöst wird. Die Auslegung des Netzkabels muss mit den nationalen und lokalen Vorschriften übereinstimmen. Die Auslegung der Netzsteckdose muss mit der Stromstärke der Steckdose und des Verlängerungskabels des Geräts übereinstimmen.

Wenn das Stromnetz einen höheren Systemwiderstand aufweist, kann beim Starten des Geräts die Spannung kurzzeitig abfallen. Dies kann den Betrieb anderer Geräte beeinflussen, z. B. ein Flackern des Lichts verursachen.

- Stellen Sie sicher, dass sich nur befugte Personen im Arbeitsbereich befinden.
- Verwenden Sie das Gerät nicht bei Nebel, Regen, starkem Wind, kaltem Wetter, Gewittergefahr oder anderen schlechten Wetterbedingungen. Die Verwendung des Geräts bei schlechtem Wetter oder an nassen Stellen kann einen negativen Einfluss auf Ihre Aufmerksamkeit haben. Schlechtes Wetter kann gefährliche Arbeitsbedingungen schaffen.
- Achten Sie auf Personen, Gegenstände und Situationen, die einen sicheren Betrieb des Geräts verhindern könnten.
- Halten Sie den Arbeitsbereich ausreichend beleuchtet.
- Verwenden Sie das Gerät nicht in Bereichen, in denen Feuer oder Explosionen auftreten können.

- Kontrollieren Sie, ob die Leistung, die Sicherung und die Netzspannung mit dem entsprechenden Spannungswert auf dem Typenschild des Geräts übereinstimmen.
- Schalten Sie das Gerät immer aus, bevor Sie den Netzstecker ziehen.
- Verwenden Sie das Gerät nicht, wenn Kabel oder Stecker beschädigt sind. Übergeben Sie es zur Reparatur an ein autorisiertes Kundendienstzentrum. Ein beschädigtes Netzkabel kann zu schweren und tödlichen Verletzungen führen.
- Verwenden Sie das Netzkabel nach Vorschrift. Verwenden Sie das Netzkabel nicht, um das Gerät zu verschieben, zu ziehen oder von der Netzspannung zu trennen. Ziehen Sie direkt am Stecker, um das Netzkabel abziehen. Ziehen Sie nicht am Netzkabel.
- Betreiben Sie das Gerät nicht in einer Wassertiefe, in der die Ausstattung des Geräts nass wird. Die Ausstattung kann beschädigt werden, und das Gerät kann durch führende Spannung Verletzungen verursachen.
- Achten Sie darauf, dass nicht mehr Feuchtigkeit in das Gerät gelangt, als durch das Wassersystem eingespeist wird. Halten Sie das Gerät von Regen fern. Wasser, das in das Gerät eindringt, erhöht das Risiko eines elektrischen Schlags.
- Achten Sie immer darauf, dass das Netzkabel getrennt ist, wenn Sie den Stecker des Motorkabels und des Schaltkastens ein- oder ausstecken.

## Elektrische Sicherheit



**WARNUNG:** Bei elektrisch angetriebenen Geräten besteht immer die Gefahr von elektrischen Schlägen. Verwenden Sie das Gerät nicht bei schlechtem Wetter. Berühren Sie keine Blitzableiter und Metallgegenstände. Verwenden Sie das Gerät immer gemäß den in diesem Betriebshandbuch hinterlegten Anweisungen, um Verletzungen zu vermeiden.



**WARNUNG:** Verwenden Sie stets eine Stromversorgung mit Fehlerstromgerät (RCD). Durch ein RCD wird das Risiko von Stromschlägen verringert.

- Richten Sie die Verneblerdüse des Geräts nicht auf elektrische Kabel oder elektrische Komponenten.

### Richtwerte für die Stromversorgungsquelle

Nennspannung der Stromversorgungsquelle, V	Min. Spannung am Gerät, V	Max. Spannung am Gerät, V	Frequenz, Hz	Nennstrom, A	Motorleistung	Min. Kabelquerschnitt mm <sup>2</sup> /AWG	Max. Kabellänge m/ft
3x220	200	240	50/60	50	11+1,5	10/7	55/180
3x400/440/480	380	480	50/60	30	11+1,5	6/9	55/180
3x220	200	240	50/60	50	11+1,5	10/7	55/180
3x400/440/480	380	480	50/60	30	15+1,5	6/9	55/180

### Anweisungen für geerdete Geräte



**WARNUNG:** Ein falscher Anschluss kann zu einem Stromschlag führen. Wenden Sie sich an einen qualifizierten Elektriker, wenn Sie Zweifel daran haben, ob die Netzsteckdose richtig geerdet ist.

Nehmen Sie keine Modifikationen am Netzstecker vor. Dieser muss den Werksspezifikationen entsprechen. Wenn der Netzstecker oder das Netzkabel beschädigt ist oder ersetzt werden muss, wenden Sie sich an Ihre Husqvarna Servicewerkstatt. Beachten Sie die vor Ort geltenden Vorschriften und Gesetze.

Wenden Sie sich an einen qualifizierten Elektriker, wenn Sie die Anweisungen hinsichtlich des geerdeten Geräts nicht vollständig verstehen.

Verwenden Sie nur geerdete Verlängerungskabel für den Außenbereich mit Erdungssteckern und einer Erdungssteckdose, die für den Netzstecker des Geräts geeignet ist.

Das Gerät verfügt über ein geerdetes Netzkabel und einen Netzstecker. Schließen Sie das Gerät immer an eine geerdete Steckdose an. Dadurch wird das Risiko von Stromschlägen verringert.

Verwenden Sie keine elektrischen Adapter am Gerät.

### Verlängerungskabel

- Verwenden Sie nur zugelassene Verlängerungskabel mit ausreichender Länge.
- Der Nennwert auf dem Verlängerungskabel muss dem auf dem Typenschild des Geräts angegebenen Wert entsprechen oder höher sein.
- Verwenden Sie Schuko-Verlängerungskabel.

- Wenn Sie das Gerät im Freien benutzen, verwenden Sie ein für den Außeneinsatz geeignetes Verlängerungskabel. Dadurch wird das Risiko von Stromschlägen verringert.
- Achten Sie darauf, dass die Verbindung mit dem Verlängerungskabel trocken ist und keinen Bodenkontakt hat.
- Halten Sie das Verlängerungskabel fern von Hitzequellen, Öl, scharfen Kanten und beweglichen Teilen. Ein beschädigtes Kabel erhöht das Risiko eines Stromschlags.
- Stellen Sie sicher, dass sich das Verlängerungskabel in einem guten Zustand befindet und unbeschädigt ist.
- Verwenden Sie das Verlängerungskabel nicht im aufgewickelten Zustand. Dies kann dazu führen, dass das Verlängerungskabel zu heiß wird.
- Vergewissern Sie sich, dass sich das Verlängerungskabel hinter Ihnen und dem Gerät befindet, wenn Sie mit dem Gerät arbeiten. Dadurch wird eine Beschädigung des Verlängerungskabels vermieden.

### Sicherheitsvorrichtungen am Gerät

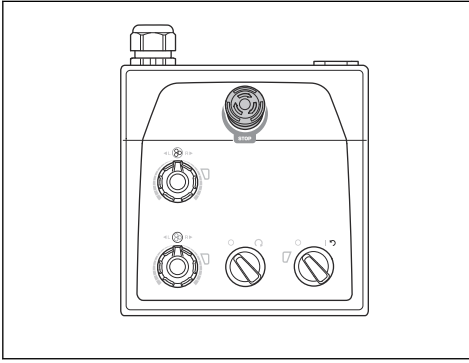


**WARNUNG:** Lesen Sie die folgenden Warnhinweise, bevor Sie das Gerät verwenden.

- Verwenden Sie kein Gerät mit Sicherheitsvorrichtungen, die beschädigt sind oder nicht ordnungsgemäß funktionieren.
- Führen Sie regelmäßig eine Überprüfung der Sicherheitsvorrichtungen durch. Wenn die Sicherheitsvorrichtungen beschädigt sind oder nicht ordnungsgemäß funktionieren, wenden Sie sich an den Kundendienst von Husqvarna.
- Führen Sie keine Änderungen an den Sicherheitsvorrichtungen durch.

## Not-Aus-Taste

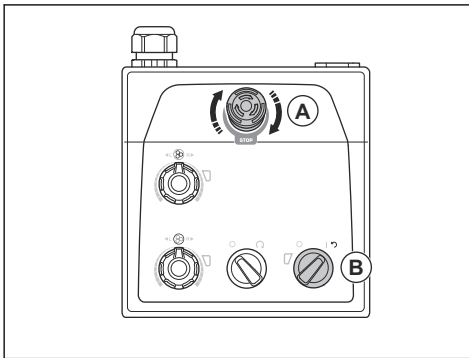
Mit der Not-Aus-Taste kann der Motor schnell abgestellt werden. Mit der Not-Aus-Taste können Sie die Stromzufuhr von der Netzsteckdose unterbrechen.



**ACHTUNG:** Verwenden Sie die Not-Aus-Taste nicht als Stopp-Taste für das Gerät.

## So führen Sie einen Test der Not-Aus-Taste durch

1. Drehen Sie die Not-Aus-Taste (A) auf der Bedienoberfläche im Uhrzeigersinn, um sicherzustellen, dass sie deaktiviert ist.



2. Schalten Sie den EIN/AUS-Schalter auf der Bedienoberfläche auf „1“, um den Motor zu starten. Die LED neben dem EIN/AUS-Schalter leuchtet auf.
3. Drücken Sie die Not-Aus-Taste.
4. Stellen Sie sicher, dass die LED neben dem EIN/AUS-Schalter erlischt.
5. Die Not-Aus-Taste im Uhrzeigersinn drehen, um sie zu deaktivieren.

## Sicherheitshinweise für die Wartung

- Halten Sie alle Teile in einwandfreiem Zustand, und stellen Sie sicher, dass alle Befestigungen korrekt festgezogen sind.
- Verwenden Sie das Gerät nicht, wenn es defekt ist. Führen Sie alle Sicherheitskontrollen, Wartungen und Servicemaßnahmen durch, die in dieser Bedienungsanleitung angegeben sind. Alle anderen Wartungsarbeiten müssen von einer autorisierten Servicewerkstatt durchgeführt werden.
- Halten Sie das Gerät an, wenn Sie die Diamantwerkzeuge ersetzen. Schalten Sie den EIN-/AUS-Schalter auf 0, und drücken Sie die Not-Aus-Taste.
- Führen Sie die Inspektion und/oder Wartung bei stehendem Motor und gezogenem Netzstecker aus.
- Warten Sie das Gerät, um sicherzustellen, dass es ordnungsgemäß funktioniert. Siehe *Wartungsplan auf Seite 47*.

## Betrieb

### Einleitung



**WARNUNG:** Vor dem Betrieb des Gerätes müssen Sie die Sicherheitsinformationen lesen und verstehen.

### So nehmen Sie die Gerät aus der Verpackung.



**WARNUNG:** Bewegen Sie das Gerät vorsichtig und sicher von der Palette. Das Gerät ist schwer und kann beim Abrutschen schwere Verletzungen verursachen.

- Stellen Sie sicher, dass alle Artikel, die in der Geräteübersicht aufgeführt werden, enthalten sind. Siehe *Geräteübersicht, rechte Seite auf Seite 31*. Sprechen Sie mit Ihrem Husqvarna-Händler, wenn ein Artikel fehlt oder beschädigt ist, bevor Sie das Gerät von der Palette nehmen.
- Entfernen Sie alle Packgurte und Unterlegkeile.
- Stellen Sie sicher, dass der Bereich frei ist und Sie ausreichend Platz zum Bewegen des Geräts haben.
- Stellen Sie sicher, dass keine Gefahr besteht, dass Sie oder das Gerät herunterfallen.
- Verwenden Sie Hebezeuge oder Rampen, um das Gerät von der Palette zu bewegen. Das Gerät ist schwer. Bewegen Sie das Gerät sicher. Siehe *So heben Sie das Gerät an auf Seite 53*.

## Bevor Sie das Gerät bedienen

1. Lesen Sie die Bedienungsanleitung sorgfältig durch, und stellen Sie sicher, dass Sie die Anweisungen verstehen.
2. Legen Sie die notwendige persönliche Schutzausrüstung an. Siehe *Persönliche Schutzausrüstung auf Seite 35*.
3. Stellen Sie sicher, dass sich nur befugte Personen im Arbeitsbereich befinden.
4. Warten Sie das Gerät täglich. Siehe *Wartungsplan auf Seite 47*.
5. Stellen Sie sicher, dass das Gerät korrekt zusammengebaut und unbeschädigt ist.
6. Stellen Sie das Gerät in den Arbeitsbereich. Stellen Sie sicher, dass der Transport des Geräts zum und im Arbeitsbereich sicher und ordnungsgemäß erfolgt. Siehe *Transport auf Seite 52*.
7. Stellen Sie sicher, dass Diamantwerkzeuge auf den Werkzeugplatten vorhanden sind und dass die Diamantwerkzeuge und die Werkzeugplatten fest sitzen.
8. Schließen Sie einen Staubabsauger an das Gerät an. Siehe *So schließen Sie einen Staubabsauger an auf Seite 42*.
9. Bringen Sie den Griff und den Lenker in eine geeignete Betriebsposition. Siehe *So verstellen Sie den Griff und den Lenker auf Seite 43*.
10. Stellen Sie sicher, dass das Motorkabel an den Schaltkasten angeschlossen ist, bevor das Gerät an eine Steckdose angeschlossen wird. Siehe *So montieren und entfernen Sie den Schleifkopf auf Seite 49*.
11. Schließen Sie das Gerät an eine Stromquelle an. Siehe *So schließen Sie das Gerät an die Stromversorgung an auf Seite 43*.
12. Drehen Sie die Not-Aus-Taste auf der Bedientafel im Uhrzeigersinn, um sicherzustellen, dass sie deaktiviert ist.

13. Stellen Sie sicher, dass Sie die Rotationsrichtung der Schleifscheiben kennen, wenn Sie Diamantwerkzeuge für eine bestimmte Richtung wie Piranhas verwenden.

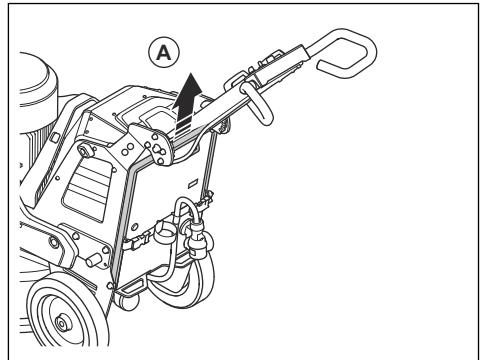
## So befestigen und lösen Sie den Tragrahmen

Das Gerät verfügt über einen Tragrahmen, mit dem es nach hinten gekippt werden kann. Der Tragrahmen dient auch als Aufhängevorrichtung, an der der Staubabsaugerschlauch und das Netzkabel aufgehängt werden.

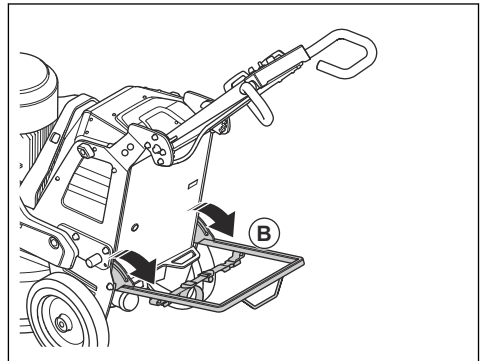


**WARNUNG:** Seien Sie vorsichtig, wenn Sie den Tragrahmen bewegen. Die beweglichen Teile können Verletzungen verursachen.

1. Heben Sie den Tragrahmen (A) etwas an.



2. Senken Sie den Tragrahmen (B) ab.



3. Klappen Sie den Tragrahmen in umgekehrter Reihenfolge wieder hoch.

## Diamantwerkzeuge

Es gibt viele verschiedene Arten und Konfigurationen von Diamantwerkzeugen für das Gerät. Metallgebundene Diamantwerkzeuge werden

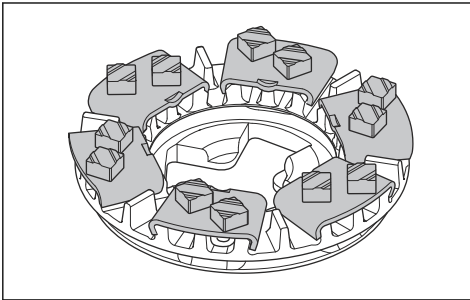
zum Entfernen von Material und harzgebundene Diamantwerkzeuge zum Polieren von Oberflächen verwendet. Wählen Sie die richtigen Diamantwerkzeuge für die Oberfläche. Sprechen Sie mit Ihrem Husqvarna-Händler oder gehen Sie zu [www.husqvarnacp.com](http://www.husqvarnacp.com), um Unterstützung bei der Auswahl des richtigen Werkzeugs zu erhalten.

### Voller Satz und halber Satz Diamantwerkzeuge

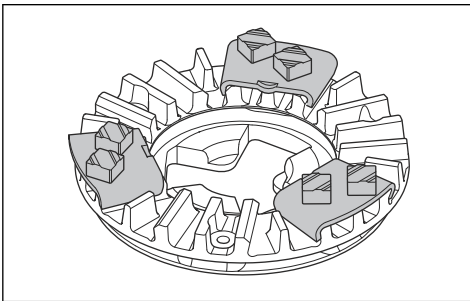
Die Konfiguration der Diamantwerkzeugsegmente wirkt sich auf die Endqualität der Oberfläche aus. Die Konfiguration wirkt sich auch auf die Betriebsgeschwindigkeit des Geräts aus.

Die EZ Airflow-Werkzeugplatte sorgt für eine bessere Kühlung und eine bessere Werkzeugleistung.

- Voller Satz Diamantwerkzeuge: Diese Konfiguration wird für ein flaches Bodenergebnis verwendet.



- Halber Satz Diamantwerkzeuge: Diese Konfiguration wird verwendet, wenn kein flaches Bodenergebnis benötigt wird.



### So ersetzen Sie die Diamantwerkzeuge



**WARNUNG:** Tragen Sie stets Schutzhandschuhe. Diamantwerkzeuge können sehr heiß werden und Sie können sich an der Hand verletzen, wenn Sie die Schwimmabdeckung anheben.



**WARNUNG:** Tragen Sie einen zugelassenen Atemschutz, wenn Sie die Diamantwerkzeuge ersetzen. Der Staub unter dem Schleifkopf gefährdet Ihre Gesundheit.



**WARNUNG:** Verwenden Sie den Staubabsauger, wenn Sie die Diamantwerkzeuge ersetzen. Der Staubabsauger verringert den Staub, der gesundheitliche Probleme verursachen kann.



**WARNUNG:** Passen Sie die Gewichte nicht an, wenn das Gerät gereinigt ist oder sich in der Wartungsposition befindet.



**ACHTUNG:** Alle Schleifscheiben müssen immer die gleiche Anzahl und die gleiche Art von Diamanten haben. Die Höhe der Diamanten muss bei allen Schleifscheiben gleich sein.

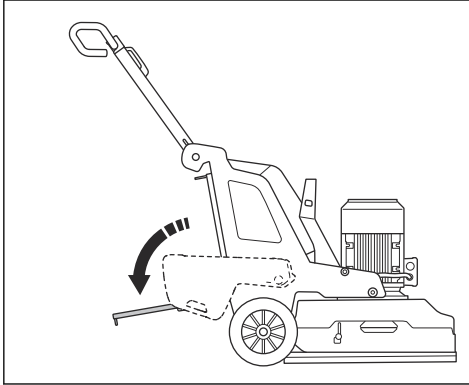
1. Stoppen Sie das Gerät. Siehe *So stoppen Sie das Gerät auf Seite 45*.
2. Drehen Sie die Not-Aus-Taste auf der Bedientafel im Uhrzeigersinn, um sicherzustellen, dass sie deaktiviert ist.
3. Bringen Sie den Griff in die Wartungsposition. Siehe *Griffpositionen auf Seite 43*.
4. Wenn Gewichte installiert sind, stellen Sie die Gewichte nach hinten ein. Siehe *Gewichte auf Seite 46*.
5. Ziehen Sie Schutzhandschuhe an.
6. Heben Sie die Schwimmabdeckung an und drehen Sie sie.

**Hinweis:** Wenn Sie die Abdeckung anheben, haben Sie einfacheren Zugang zu den Diamantwerkzeugen.

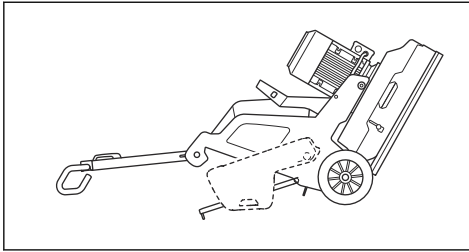
7. Verriegeln Sie die Abdeckung mit der Transportsicherung der Schwimmabdeckung.



8. Befestigen Sie den Tragrahmen. Siehe *So befestigen und lösen Sie den Tragrahmen auf Seite 39.*



9. Prüfen Sie die Sicherungen der Schwimmabdeckung. Ersetzen Sie beschädigte oder fehlende Sicherungen, bevor Sie das Gerät neigen.
10. Halten Sie den Lenker fest, und kippen Sie das Gerät mit einem Fuß auf dem Tragrahmen nach hinten. Kippen Sie das Gerät, bis der Handgriff auf dem Boden steht.

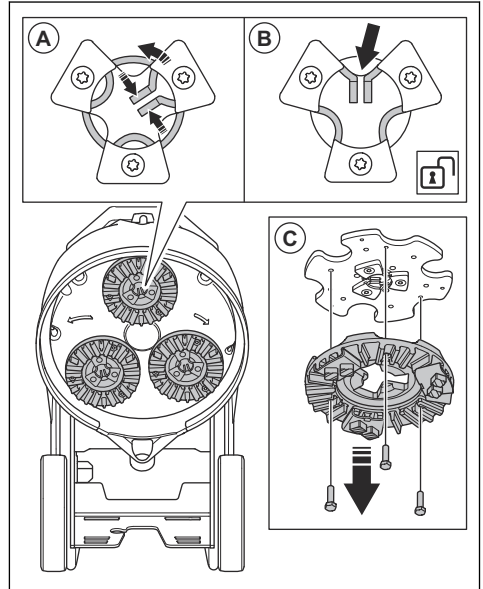


**WARNUNG:** Stellen Sie sicher, dass sich das Gerät in einer stabilen Position befindet, bevor Sie die Diamantwerkzeuge austauschen.

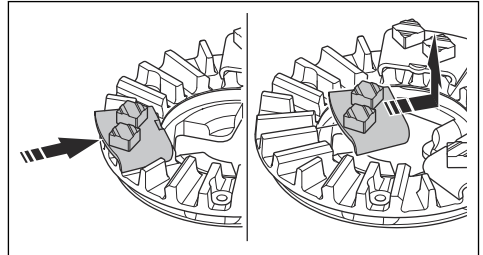


**ACHTUNG:** Wenn Gewichte montiert sind, müssen diese sich beim Kippen des Geräts in der hinteren Position befinden. Passen Sie die Gewichte in der hinteren Position nicht an, wenn die Schleifmaschine gereinigt ist.

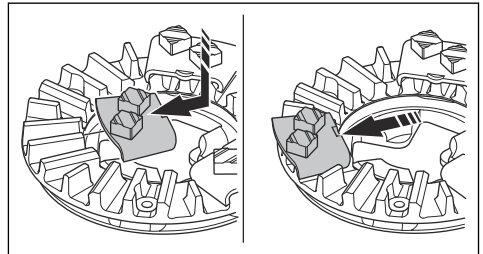
11. Drücken Sie die mittleren Laschen zusammen, und drehen Sie sie gegen den Uhrzeigersinn (A), um die Werkzeugplatte von der Schleifscheibe (B) zu lösen.



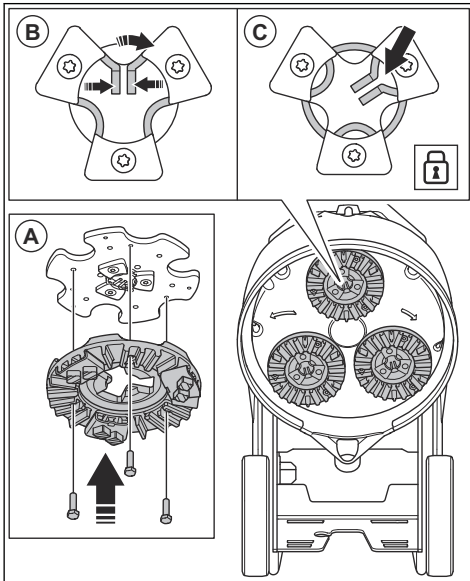
12. Ziehen Sie die Werkzeugplatte gerade heraus (C), um die Werkzeugplatte von der Schleifscheibe zu entfernen.
13. Entfernen Sie die Diamantwerkzeuge mit einem Hammer von der Werkzeugplatte.



14. Befestigen Sie neue Diamantwerkzeuge mit einem leichten Hammerschlag an der Werkzeugplatte.



15. Befestigen Sie die Werkzeugplatte gerade (A) an der Schleifscheibe.



16. Drücken Sie die mittleren Laschen zusammen, und drehen Sie sie im Uhrzeigersinn (B), um die Werkzeugplatte an der Schleifscheibe (C) zu befestigen.
17. Heben Sie das Gerät vorsichtig in die Betriebsposition. Verwenden Sie den Lenker und den Tragrahmen zur Unterstützung.
18. Lösen Sie den Tragrahmen.

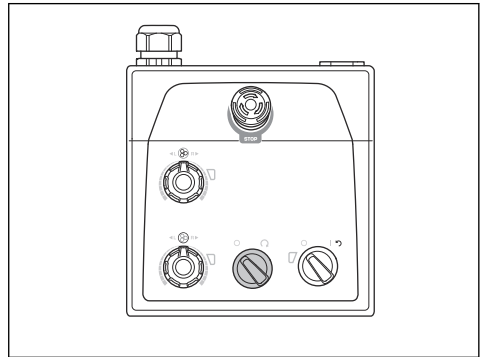
## So schließen Sie einen Staubabsauger an



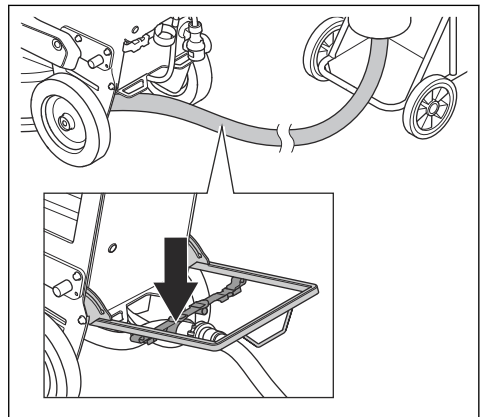
**WARNUNG:** Verwenden Sie den Staubabsauger nicht, wenn der Staubabsaugerschlauch beschädigt ist. In diesem Fall steigt das Risiko, dass Sie gesundheitsgefährdenden Staub einatmen. Tragen Sie einen zugelassenen Atemschutz.

1. Untersuchen Sie den Staubabsaugerschlauch auf Beschädigungen.
2. Stellen Sie sicher, dass die Filter im Staubabsauger sauber und unbeschädigt sind.

3. Stellen Sie sicher, dass der START/STOPP-Schalter auf der Bedientafel auf „0“ steht.



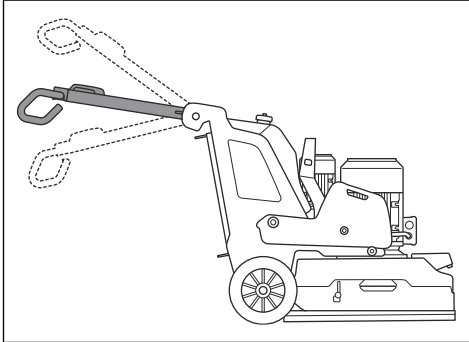
4. Schließen Sie den Staubabsaugerschlauch an das Gerät an.
5. Befestigen Sie den Tragrahmen. Siehe *So befestigen und lösen Sie den Tragrahmen auf Seite 39*.
6. Hängen Sie den Staubabsaugerschlauch an die Aufhängevorrichtung am Tragrahmen, um ein Verspannen des Staubabsaugerschlauchs zu vermeiden.



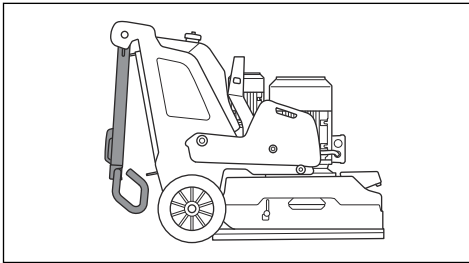
7. Lösen Sie den Tragrahmen.

## Griffpositionen

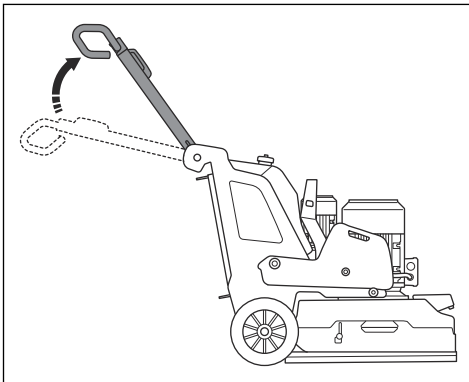
- Betriebsposition des Griffs:



- Transportposition des Griffs:



- Wartungsposition des Griffs:



### So verstellen Sie den Griff und den Lenker

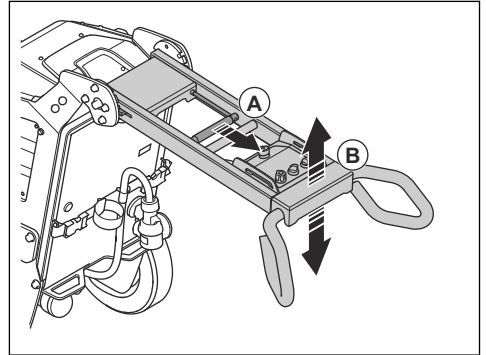


**WARNUNG:** Seien Sie vorsichtig, wenn Sie den Griff und den Lenker einstellen. Stellen Sie sicher, dass der Griff und der Lenker einrasten. Die beweglichen Teile können Verletzungen verursachen.

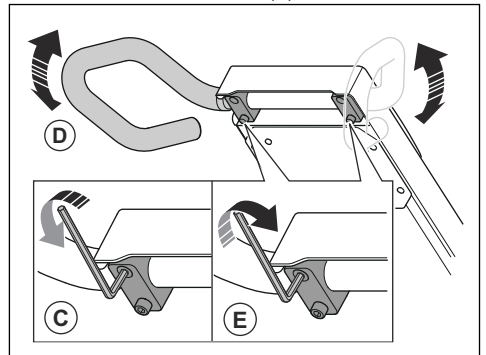
Stellen Sie die Griffhöhe so nah wie möglich auf die Hüfthöhe des Bedieners ein. Während des Betriebs

kann das Gerät zur Seite ziehen. Die Hüfte des Bedieners kann dabei helfen, diese Bewegung zur Seite zu stoppen.

1. Ziehen Sie den Verriegelungshebel (A) am Griff in Richtung Bedientafel und halten Sie ihn in dieser Position.



2. Bringen Sie den Griff (A) in eine entsprechende Betriebshöhe.
3. Lassen Sie den Verriegelungshebel am Griff los, um die Griffposition zu fixieren.
4. Lösen Sie die 4 Schrauben (C) am Lenker.

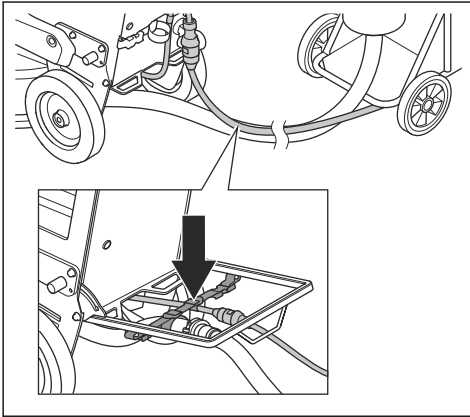


5. Bringen Sie den Lenker (D) in eine entsprechende Betriebshöhe.
6. Ziehen Sie die 4 Schrauben (E) am Lenker an, um die Lenkerposition zu fixieren.

### So schließen Sie das Gerät an die Stromversorgung an

1. Schließen Sie den Netzstecker des Geräts an das Verlängerungskabel an.
2. Stecken Sie den Netzstecker des Verlängerungskabels in eine Netzsteckdose.
3. Befestigen Sie den Tragrahmen. Siehe *So befestigen und lösen Sie den Tragrahmen auf Seite 39*.

4. Hängen Sie das Netzkabel an die Aufhängevorrichtung am Tragrahmen, um Zug am Netzkabel zu vermeiden.



5. Lösen Sie den Tragrahmen.



**ACHTUNG:** Wenn das Gerät an einen Staubabsauger angeschlossen wird, muss der Staubabsauger an eine dreiphasige Stromversorgung angeschlossen werden.

## Betriebsgeschwindigkeit

Wenn das Gerät auf einem neuen Oberflächentyp betrieben wird, stellen Sie die Geschwindigkeit zunächst auf 70 % ein. Wenn der Bediener den Oberflächentyp kennt, kann die Geschwindigkeit angepasst werden.

## Rotationsrichtung des Schleifkopfes und der Schleifscheiben

Von oberhalb des Geräts aus gesehen ist die Rotationsrichtung wie folgt:

- „R“: Im Uhrzeigersinn
- „L“: Gegen den Uhrzeigersinn

Die Schleifwirkung ist höher, wenn der Schleifkopf und die Schleifscheiben in der gleichen Richtung rotieren.

Während des Betriebs kann das Gerät zur Seite ziehen. Die Zugrichtung ist abhängig von der Rotationsrichtung. Das Gerät zieht nach rechts, wenn die Rotationsrichtung auf „L“ eingestellt ist. Das Gerät zieht nach links, wenn die Rotationsrichtung auf „R“ eingestellt ist.

Der Seitenzug kann Ihnen helfen, das Gerät beispielsweise in der Nähe einer Wand zu betreiben. Stellen Sie die Rotationsrichtung so ein, dass das Gerät in die Richtung der Wand zieht.

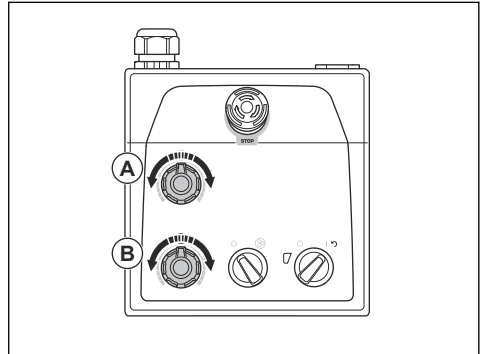


**ACHTUNG:** Lenken Sie das Gerät vorsichtig. Stellen Sie sicher, dass das Gerät die Wand nur leicht berührt. Das Gerät ist schwer und kann Schäden verursachen.

## So ändern Sie die Geschwindigkeit und Rotationsrichtung des Motors

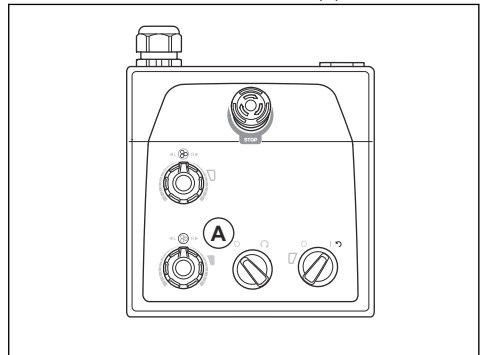
Ändern Sie die Rotationsrichtung regelmäßig, um die Lebensdauer und die Schärfe der Diamantwerkzeuge zu erhöhen. Die Diamantwerkzeugsegmente werden gleichmäßig verwendet, und die Kontaktfläche ist weiterhin so groß wie möglich.

- Drehen Sie das Potentiometer (A), um die Geschwindigkeit und Rotationsrichtung des Schleifkopfes einzustellen.
- Drehen Sie das Potentiometer (B), um die Geschwindigkeit und Rotationsrichtung der Schleifscheibe einzustellen.



## So bedienen Sie das Gerät

- Bedienen Sie das Gerät manuell über die Bedientafel am Griff. Siehe *Geräteübersicht, rechte Seite auf Seite 31*.
- Achten Sie während des Betriebs auf Farbveränderungen in der Anzeige für den Wechselrichter zum Schleifmotor (A).



- Grünes Licht: Das Gerät funktioniert ordnungsgemäß.
- Oranges Licht: Der Schleifkopf ist überlastet. Verringern Sie die Ausgangsleistung innerhalb von 10 Sekunden oder weniger, um zu verhindern, dass ein Fehler auftritt.

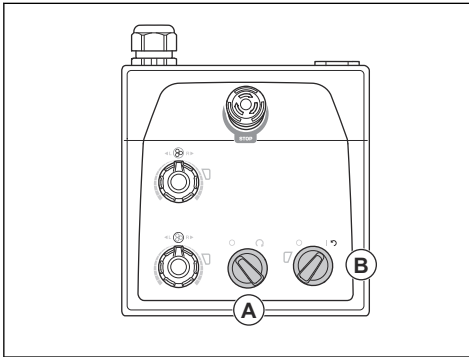
- Rotes Licht: Fehler im Wechselrichter, und der Schleifkopf stoppt. Das Gerät muss zurückgesetzt werden. Siehe *So setzen Sie das Gerät zurück auf Seite 45.*

## So starten Sie das Gerät



**ACHTUNG:** Bewegen Sie das Gerät die ganze Zeit, während der Schleifkopf eingeschaltet ist. Wenn Sie das Gerät nicht bewegen, kann die Oberfläche rau werden.

1. Drücken Sie den Lenker nach unten, um den Schleifkopf von der Oberfläche anzuheben. Dadurch wird die Oberflächenreibung der Diamantwerkzeuge aufgehoben. Heben Sie den Schleifkopf während des Betriebs nicht vollständig von der Oberfläche ab.
2. Drehen Sie den START/STOPP-Schalter (A) am Bedienfeld gegen den Uhrzeigersinn auf 0, um sicherzustellen, dass der Schleifkopf ausgeschaltet ist.



3. Schalten Sie den EIN/AUS-Schalter (B) am Bedienfeld auf die Pfeilposition, um das Gerät zu starten. Die LED neben dem EIN/AUS-Schalter leuchtet auf.
4. Drehen Sie den START/STOPP-Schalter auf der Bedientafel im Uhrzeigersinn, um den Schleifkopf zu starten. In weniger als 5 Sekunden arbeitet das Gerät mit der Leerlaufdrehzahl.

## So stoppen Sie das Gerät

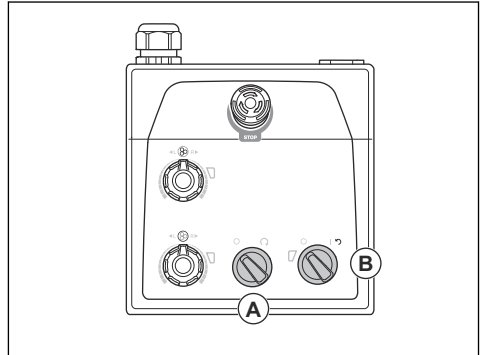


**ACHTUNG:** Heben Sie den Schleifkopf nicht von der Oberfläche ab, wenn Sie den Motor stoppen. Die Werkzeugplatten drehen sich nach dem Stoppen des Motors eine Weile lang weiter. Staub kann in die Luft gelangen und die Oberfläche kann beschädigt werden.



**ACHTUNG:** Lassen Sie das Gerät nicht stehen, bis die Werkzeugplatten ganz zum Stillstand gekommen sind.

1. Drehen Sie den START/STOPP-Schalter (A) am Bedienfeld gegen den Uhrzeigersinn auf 0, um den Schleifkopf auszuschalten.



2. Halten Sie die Werkzeugplatten gegen die Oberfläche, bis sie vollständig zum Stillstand gekommen sind.

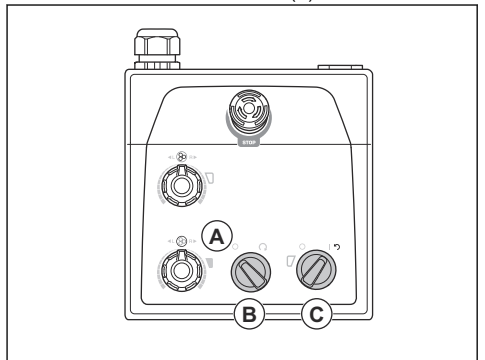


**ACHTUNG:** Wenn Sie klebenden Asphalt, Farbe oder ein gleichwertiges Material schleifen, kann sich das Gerät auf der Klebefläche festsetzen. Heben Sie unmittelbar nach dem vollständigen Anhalten der Werkzeugplatte die Vorderseite des Schleifkopfs ein Stück an.

3. Schalten Sie den EIN/AUS-Schalter (B) am Bedienfeld auf 0, um das Gerät zu stoppen. Die LED neben dem EIN/AUS-Schalter erlischt.
4. Ziehen Sie den Netzstecker aus der Steckdose.

## So setzen Sie das Gerät zurück

Der EIN/AUS-Schalter kann als Reset-Schalter verwendet werden, wenn der Wechselrichter auslöst. Setzen Sie das Gerät zurück, wenn die Anzeige für den Wechselrichter des Schleifmotors (A) rot leuchtet.

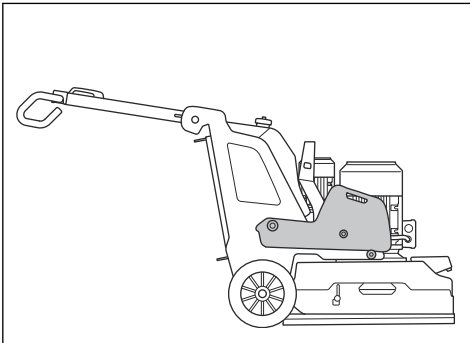


1. Drehen Sie den START/STOPP-Schalter (B) gegen den Uhrzeigersinn auf 0, um sicherzustellen, dass der Schleifkopf ausgeschaltet ist.
2. Stellen Sie den EIN/AUS-Schalter auf die Pfeilposition (C), um das Gerät zurückzusetzen. Die Anzeige für den Wechselrichter des Schleifmotors leuchtet grün, wenn der Fehler zurückgesetzt ist.
3. Drehen Sie den START/STOPP-Schalter auf der Bedientafel im Uhrzeigersinn, um den Schleifkopf wieder zu starten.

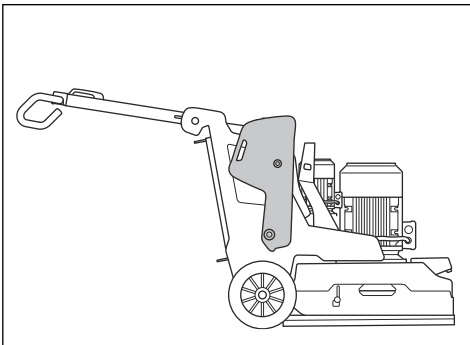
## Gewichte

Das Gerät verfügt über ein Gewicht auf jeder Seite des Geräts. Wenn das Gerät schwer zu bedienen ist, passen Sie die Gewichte an, um den Druck auf den Schleifkopf zu ändern. Die Gewichte müssen rechts und links auf die gleiche Position eingestellt werden. Die Gewichte haben 3 Positionen:

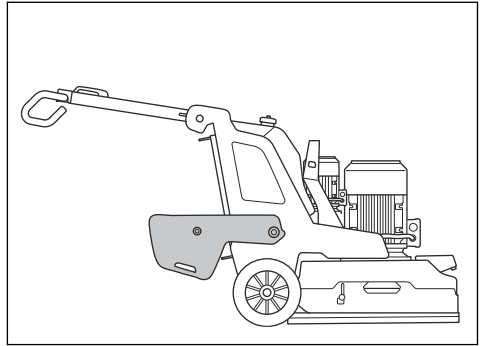
- Position 1: Maximaler Druck auf den Schleifkopf. Diese Position erhöht die Wirkung während des Betriebs. Diese Position wird auch verwendet, wenn Sie das Gerät in Transportposition bringen.



- Position 2: Normaler Druck auf den Schleifkopf.



- Position 3: Minimaler Druck auf den Schleifkopf. Diese Position wird auch verwendet, wenn Sie das Gerät neigen, um es in die Wartungsposition zu bringen.



## So stellen Sie die Gewichte ein

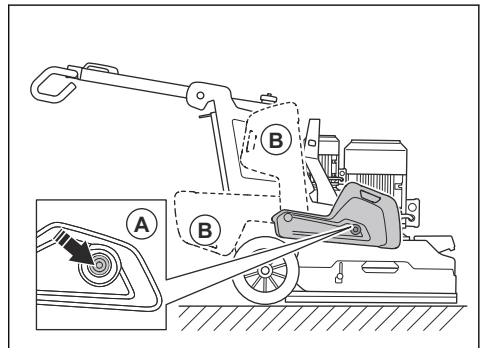


**WARNUNG:** Seien Sie vorsichtig, wenn Sie die Gewichte einstellen. Die beweglichen Teile können Verletzungen verursachen.



**WARNUNG:** Stellen Sie immer sicher, dass die Gewichtsverriegelung korrekt einrastet, wenn die Gewichte in die ausgewählte Position gebracht werden.

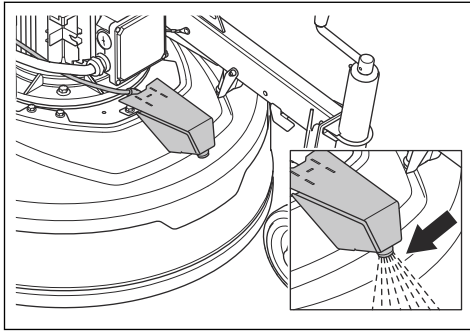
1. Drücken Sie auf die Gewichtsverriegelung (A), und bewegen Sie das Gewicht mit dem Gewichtsriff in eine ausgewählte Position (B). Siehe *Gewichte auf Seite 46*.



2. Lassen Sie die Gewichtsverriegelung los, um das Gewicht in der ausgewählten Position zu verriegeln.

## Das Mist Cooler System

Das Mist Cooler System senkt die Temperatur der Schleifscheibenwerkzeuge und verbessert die Geräteleistung. Das Mist Cooler System nutzt das Wasser aus dem Wassertank. Die Düse des Mist Cooler Systems verteilt das Wasser auf der Oberfläche. Der Wasserdurchfluss wird mit einem Schalter an der Schaltschrankklappe eingestellt. Wenn der Wasserstand niedrig ist, blinkt die LED des Schalters gelb.



**ACHTUNG:** Verwenden Sie eine geeignete Ausrüstung zum Befüllen des Wassertanks. Achten Sie darauf, dass kein Wasser aus dem Wassertank austritt.

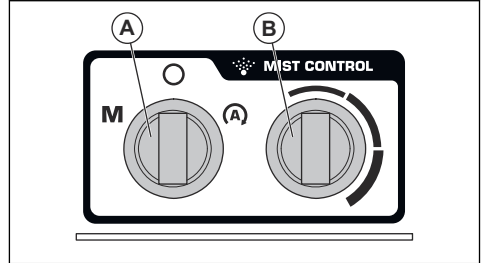
Das Mist Cooler System kann auf manuellen oder automatischen Modus eingestellt werden. Der manuelle Modus ist immer eingeschaltet, wenn das Gerät ohne Fernbedienung betrieben wird. Wenn die Fernbedienung verbunden ist, startet die Taste auf der Fernbedienung die Vernebler-Funktion. Wenn das Schleifen beendet wird, schaltet sich die Vernebler-Funktion nach 60 Sek. aus. Die Vernebler-Funktion im automatischen Modus startet und stoppt zusammen mit dem Schleifvorgang.

## So bedienen Sie die Vernebler-Funktion



**ACHTUNG:** Richten Sie die Verneblerdüse des Geräts niemals auf elektrische Komponenten.

1. Drehen Sie den Schalter für die Vernebler-Funktion (A) an der Schaltschrankklappe, um den Vernebler-Modus einzustellen.



- Drehen Sie den Schalter für die Vernebler-Funktion auf das Symbol M, um den manuellen Modus einzustellen.
  - Drehen Sie den Schalter für die Vernebler-Funktion auf das Symbol A, um den automatischen Modus einzustellen.
2. Drehen Sie den Schalter (B), um den Wasserdurchfluss zu erhöhen oder zu verringern.

## Wartung

### Einleitung



**WARNUNG:** Bevor Sie eine Wartung durchführen, müssen Sie das Kapitel über die Sicherheit lesen und verstehen.

Für alle Wartungs- und Reparaturarbeiten am Produkt ist eine spezielle Schulung erforderlich. Wir garantieren die Verfügbarkeit von professionellen Reparaturen und Wartungsarbeiten. Wenn Ihr Händler keine Servicewerkstatt ist, sprechen Sie mit ihm, um Informationen über die nächste Servicewerkstatt zu erhalten.

Genauere Informationen finden Sie unter .

### Maßnahmen vor der Wartung

- Tragen Sie eine persönliche Schutzausrüstung. Siehe *Persönliche Schutzausrüstung auf Seite 35*.
- Tragen Sie einen zugelassenen Atemschutz. Der Staub, den das Gerät erzeugt, gefährdet Ihre Gesundheit.
- Stellen Sie das Gerät auf einer ebenen Fläche ab.

- Stoppen Sie den Motor und ziehen Sie den Netzstecker, um ein versehentliches Starten während der Wartung zu vermeiden.
- Befreien Sie den Bereich um das Gerät von Öl und Schmutz. Entfernen Sie unerwünschte Gegenstände.
- Geben Sie mithilfe von Schildern umstehenden Personen deutlich zu erkennen, dass gerade Wartungsarbeiten stattfinden.
- Bewahren Sie Feuerlöscher, medizinische Versorgung und ein Notfalltelefon in der Nähe auf.

### Wartungsplan

\* = Allgemeine Wartung durch den Bediener. Die Anweisungen sind nicht in dieser Bedienungsanleitung enthalten.

X = Diese Anweisungen sind in dieser Bedienungsanleitung enthalten.

O = Die Anweisungen sind nicht in dieser Bedienungsanleitung enthalten. Lassen Sie die Wartung von einer zugelassenen Servicewerkstatt durchführen.

Wartung	Taglich	Wochentlich	Alle 6 Monate	Alle 12-36 Monate
Den EIN-/AUS-Schalter uberprufen.	*			
Die Befestigungspunkte und die Verriegelungsfunktion des Griffs uberprufen.		*		
Die Befestigungspunkte und die Verriegelungsfunktion der Gewichte uberprufen.		*		
Die Not-Aus-Taste uberprufen.	X			
Die Auenflachen des Gerats reinigen.	X			
Die inneren Bauteile des Gerats reinigen.			O	
Eine allgemeine Inspektion durchfuhren.	X			
Die Schleifscheiben uberprufen.	X			
Eine Funktionsprufung des Antriebssystems fur den Schleifkopf durchfuhren.		X		
Das Antriebssystem fur die Schleifscheiben warten.				O
Die Verbindung zwischen Chassis und Schleifkopf uberprufen.		*		

## So reinigen Sie das Gerat



**ACHTUNG:** Ein verstopfter Lufterlass reduziert die Leistung des Gerats und kann dazu fuhren, dass der Motor zu hei wird.

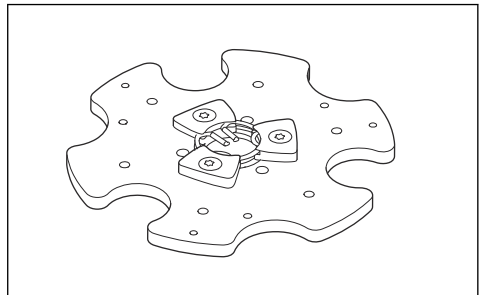
- Entfernen Sie Verstopfungen aus den Luftoffnungen. Das Gerat muss immer kuhl bleiben.
- Ziehen Sie vor dem Reinigen immer den Netzstecker aus der Steckdose.
- Verwenden Sie keine Chemikalien zur Reinigung des Gerats.
- Reinigen Sie elektrische Bauteile nicht mit Wasser.
- Reinigen Sie am Ende des Arbeitstages stets die gesamte Ausstattung.
  - a) Kippen Sie das Gerat, bis der Lenker auf dem Boden steht.
  - b) Entfernen Sie die Diamantwerkzeuge, und betreiben Sie das Gerat fur kurze Zeit mit der kleinsten Drehzahl. Betreiben Sie das Gerat, um die Staubmenge an der Oberseite des Schleifkopfes zu verringern.
  - c) Reinigen Sie die Bauteile an der Unterseite des Schleifkopfes mit einem Hochdruckreiniger.



**ACHTUNG:** Richten Sie den Hochdruckreiniger nicht direkt auf Dichtungen oder Verbindungsstellen.

## So fuhren Sie eine allgemeine Inspektion durch

- Stellen Sie sicher, dass das Netzkabel und das Verlangerungskabel sich in einem guten Zustand befinden und nicht beschadigt sind.
- Sicherstellen, dass alle Muttern und Schrauben fest angezogen sind.
- Sicherstellen, dass die Schurze in gutem Zustand und sicher fur die Arbeit ist.
- Sicherstellen, dass sich die Abdeckung frei bewegen lasst und sich in der richtigen Position am Boden befindet.
- Sicherstellen, dass die mittlere Verriegelung fur die Werkzeugplatte sauber ist und sich leicht drehen lasst.





## Antriebssystem für den Schleifkopf

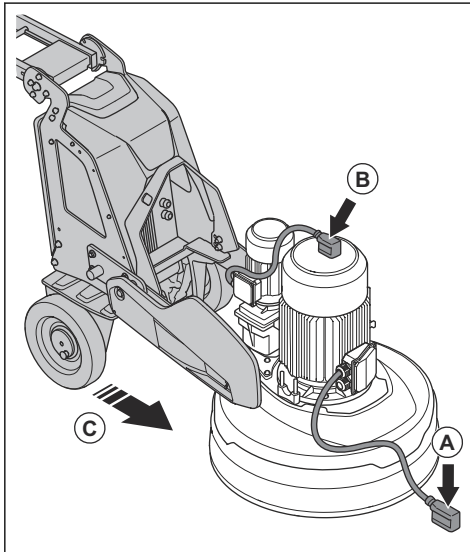
Das Antriebssystem für den Schleifkopf ist ein geschlossenes System. Wenn Sie Probleme mit dem Antriebssystem des Schleifkopfs haben, wenden Sie sich an Ihre Husqvarna-Servicewerkstatt.

### So montieren und entfernen Sie den Schleifkopf



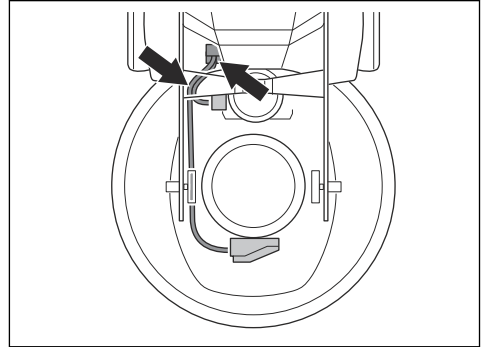
**WARNUNG:** Das Chassis ist nicht im Gleichgewicht, wenn der Schleifkopf entfernt wird. Stellen Sie sicher, dass das Chassis nicht umfallen kann. Dies kann zu Verletzungen oder Beschädigungen führen.

1. Führen Sie das Motorkabel des vorderen Motors (A) vor den Schleifkopf.

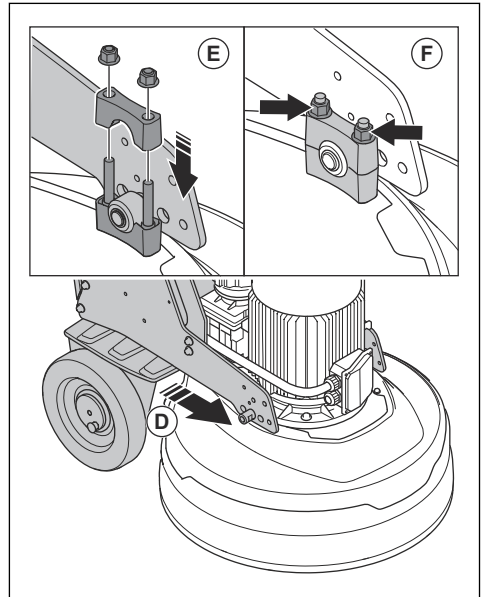


2. Führen Sie das Motorkabel des hinteren Motors (B) oben auf den Motor.
3. Schieben Sie das Chassis in die Nähe des Schleifkopfs (C).

4. Führen Sie die Motorkabel durch den Schlitz zwischen dem Schleifkopf und dem Chassis.



5. Schieben Sie das Chassis ganz gegen den Schleifkopf (D). Stellen Sie sicher, dass das Chassis an der Halterung am Schleifkopf befestigt ist.

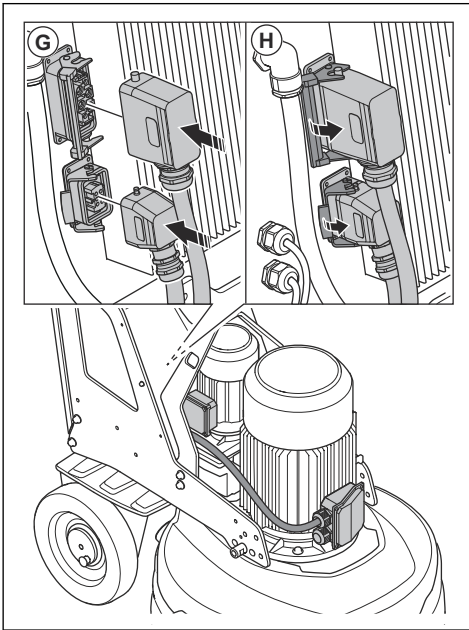


6. Installieren Sie die zweite Halterung (E) oben auf der Halterung am Schleifkopf.
7. Ziehen Sie die 2 Muttern (F) auf jeder Seite des Schleifkopfs an.

8. Stecken Sie die Motorkabel in die Steckdosen (G) am Schaltkasten.

9. Sichern Sie die Motorkabel an den Steckdosen (G) am Schaltkasten.

10. Entfernen Sie den Schleifkopf in umgekehrter Reihenfolge.



## Fehlersuche

Problem	Ursache	Lösung
Das Gerät springt nicht an.	Das Verlängerungskabel ist nicht angeschlossen oder beschädigt.	Schließen Sie das Verlängerungskabel an oder ersetzen Sie es, falls erforderlich.
	Eine Not-Aus-Taste ist aktiviert.	Drehen Sie die Not-Aus-Taste auf der Bedientafel gegen den Uhrzeigersinn, um sie zu deaktivieren.
	Der Sicherheitsschalter im Schaltkasten hat ausgelöst.	Den Sicherheitsschalter wieder schließen, um den Stromkreis zu schließen.

<b>Problem</b>	<b>Ursache</b>	<b>Lösung</b>
Das Gerät ist nicht leicht zu halten.	Es sind zu wenige Diamantwerkzeuge am Gerät installiert.	Die Anzahl der Diamantwerkzeuge erhöhen, um die Belastung des Geräts und des Bedieners zu verringern.
	Der Schleifantriebsmotor arbeitet nicht.  Dies kann durch einen Motorfehler oder einen Fehler in der Verkabelung zum Motor verursacht werden.	Stellen Sie sicher, dass der Schleifantriebsmotor angeschlossen ist.  Falls das Problem weiterbesteht, eine autorisierte Servicewerkstatt kontaktieren.
	Der Riemen ist defekt.	Wenn der Riemen defekt ist, bitte durch eine Servicewerkstatt austauschen lassen.  Eine der Schleifscheiben von Hand drehen. Wenn sich alle Schleifscheiben gemeinsam drehen, ist der Riemen intakt. Wenn eine Schleifscheibe frei dreht, ist der Riemen defekt.
	Es kommt nur eine Phase in das Gerät. Das Gerät erhält keinen Fehlercode und verwendet weniger als 1 A Motorstrom. Der Lüfter dreht sich langsam.	Überprüfen Sie das Netzteil.
	Die Oberfläche oder der Arbeitsvorgang überbeansprucht das Gerät.	Passen Sie die Drehzahl des Motors und/oder die Vorwärtsgeschwindigkeit des Geräts über den Boden an.
	Das Gerät erzeugt ein unregelmäßiges Kratzmuster.	Die Diamantwerkzeuge sind falsch oder in unterschiedlichen Höhen an den Schleifscheiben angebracht.
Es sind Diamantwerkzeuge verschiedenen Typs installiert.		Stellen Sie sicher, dass alle Segmente die gleiche Diamantkörnung und Bindung aufweisen. Wenn die Diamantsegmente ungeschliffen sind, die ungeschliffenen Diamantsegmente gleichmäßig verteilen. Das Gerät auf einer rauen Oberfläche betreiben, bis alle Segmente die gleiche Höhe haben.
Die Kopfverriegelungen sind lose oder fehlen.		Sicherstellen, dass alle Kopfverriegelungen in Position und fest angezogen sind.
Es sind verschiedene Harzwerkzeuge installiert oder sie weisen unerwünschte Verunreinigungen auf.		Sicherstellen, dass alle Harzwerkzeuge die gleiche Diamantkörnung und -bindung aufweisen und keine Verunreinigung vorliegt. Die Harzwerkzeuge zum Reinigen für kurze Zeit auf einer leicht rauen Oberfläche laufen lassen.
Die Schleifscheiben sind verschlissen oder beschädigt.		Überprüfen Sie die Schleifscheiben auf gebrochene Teile oder zu viel Bewegung.
Es treten plötzlich unerwünschte Bewegungen im Gerät auf.	Die Schleifscheiben sind verschlissen oder beschädigt.	Prüfen Sie die Schleifscheiben auf beschädigte Teile und übermäßige Bewegungen.
	Die Diamantwerkzeuge sind falsch oder in unterschiedlichen Höhen an den Schleifscheiben angebracht.	Sicherstellen, dass alle Diamantwerkzeuge korrekt installiert sind und dieselbe Höhe haben.

Problem	Ursache	Lösung
Der interne Trennschalter löst aus.	Zu hohe Last oder nicht ausreichende Stromversorgung.	Überprüfen Sie das Netzteil.
		Verringern Sie den Schleifdruck, erhöhen Sie die Anzahl der Diamantwerkzeuge oder erhöhen Sie die Bindungshärte.
Es ist kein Wasserdurchfluss vorhanden, oder der Wasserdurchfluss ist nicht ausreichend.	Der Wassertank ist leer.	Befüllen Sie den Wassertank.
	Es befindet sich Staub in der Düse.	Trennen Sie den Versorgungsschlauch, und reinigen Sie die Düse.
	Das Wassersystem ist verstopft.	Trennen Sie den Versorgungsschlauch, und spülen Sie den Wassertank, bis sauberes Wasser zu sehen ist.

## Transport, Lagerung und Entsorgung

### Transport



**WARNUNG:** Seien Sie beim Transport vorsichtig. Das Gerät ist schwer und kann Verletzungen oder Schäden verursachen, wenn es beim Transport umfällt oder sich bewegt.

Bei kürzeren Strecken können Sie das Gerät mit den Rädern manuell bewegen. Bei längeren Strecken heben Sie das Gerät an, um es zu bewegen, oder platzieren Sie es auf einem Fahrzeug.



**ACHTUNG:** Ziehen Sie das Gerät nicht mit einem Fahrzeug.

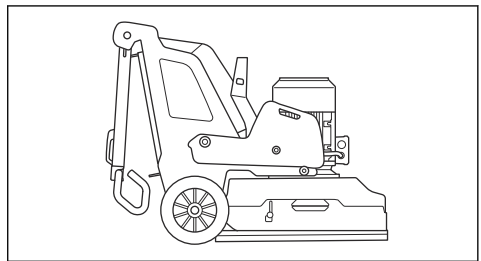
- Seien Sie sehr vorsichtig, wenn Sie das Gerät manuell oder auf geneigten Oberflächen bewegen. Kleine Steigungen können zu einer schnellen Bewegung führen, die nicht von Hand gebremst werden kann.
- Sichern Sie das Gerät während des Transports. Sorgen Sie dafür, dass sich das Gerät während des Transports nicht bewegen kann.
- Schützen Sie das Gerät während des Transports. Durch diesen Schutz werden Naturelemente wie Regen und Schnee vom Gerät ferngehalten.
- Verwenden Sie immer die Hebeöse am Gerät, wenn Sie das Gerät anheben.
- Heben Sie das Gerät nicht am Lenker, Motor, Chassis oder anderen Teilen an.
- Der Transport erfolgt am besten auf einer Palette.
- Heben Sie das Gerät immer mit einer Winde oder einem Gabelstapler an.
- Verwenden Sie keinen Gabelstapler, wenn das Gerät nicht auf einer Palette oder einem Wagen steht. Dies kann unter Umständen zu irreparablen

Schäden an den Schleifscheiben und anderen internen Bauteilen führen.

- Während des Transports muss der Schleifkopf auf dem Boden stehen. Lassen Sie die Werkzeugplatten installiert, um Schäden am Verriegelungsmechanismus der Werkzeugplatten zu vermeiden.

### So bringen Sie das Gerät in die Transportposition

- Heben Sie die Abdeckung an, und drehen Sie sie, um sie zu verriegeln. Dadurch wird die Staubschürze vor Transportschäden geschützt.
- Klappen Sie den Griff nach unten. Siehe *So verstellen Sie den Griff und den Lenker auf Seite 43*.



- Wenn die Gewichte am Gerät angebracht sind, stellen Sie die Gewichte in die vordere Position. Siehe *So stellen Sie die Gewichte ein auf Seite 46*.
- Stellen Sie sicher, dass der Schleifkopf die Oberfläche berührt.

### So bewegen Sie das Gerät eine Rampe hoch bzw. herunter



**WARNUNG:** Seien Sie besonders vorsichtig, wenn Sie das Gerät eine Rampe hoch- bzw. herunterbewegen und der Motor

eingeschaltet ist. Das Gerät ist schwer und kann Verletzungen verursachen, wenn es umfällt oder zu schnell bewegt wird.



**WARNUNG:** Verwenden Sie bei Rampen mit steilem Gefälle immer eine Winde. Gehen oder stehen Sie nicht unter dem Gerät. Bleiben Sie nicht im Risikobereich um das Gerät herum. Siehe *Sicherheit im Arbeitsbereich auf Seite 35*.



**WARNUNG:** Bewegen Sie das Gerät nicht an steilen Hängen. Informationen zum maximalen Neigungswinkel finden Sie auf dem Typenschild des Geräts.

- Um das Gerät eine Rampe herunter zu bewegen, bedienen Sie es langsam rückwärts.
- Um das Gerät eine Rampe herauf zu bewegen, bedienen Sie es langsam vorwärts.
- Drehen Sie das Gerät auf einer Rampe nicht mehr als 45°.

## So heben Sie das Gerät an



**WARNUNG:** Stellen Sie sicher, dass die Hebeausrüstung den richtigen Spezifikationen entspricht, um das Gerät sicher anheben zu können. Das Typenschild des Geräts zeigt das Gerätegewicht.



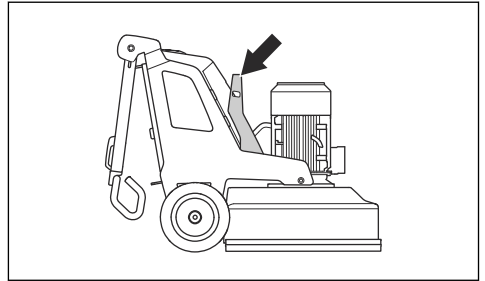
**WARNUNG:** Laufen oder stehen Sie nicht unterhalb oder in der Nähe eines hängenden Geräts. Halten Sie unbefugte Personen vom Risikobereich fern. Siehe *Sicherheit im Arbeitsbereich auf Seite 35*.



**WARNUNG:** Heben Sie ein Gerät nicht an, wenn es beschädigt ist. Stellen Sie sicher, dass die Hebeöse richtig montiert und unbeschädigt ist.

1. Bringen Sie das Gerät in die Transportposition. Siehe *So bringen Sie das Gerät in die Transportposition auf Seite 52*.

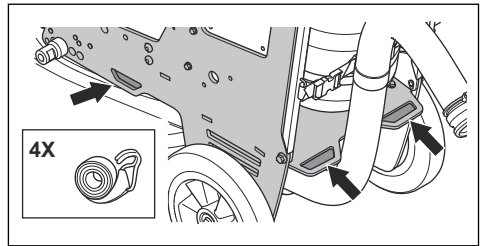
2. Befestigen Sie die Hebeausrüstung an der Hebeöse.



## So befestigen Sie das Gerät auf einem Transportfahrzeug

Das Gerät verfügt über Verzurrpunkte, die mit Verzurrgurten zur Befestigung des Geräts an einem Transportfahrzeug verwendet werden.

1. Befestigen Sie die Metallhaken der Verzurrgurte an den Verzurrpunkten. Seien Sie vorsichtig, da scharfe Kanten Schäden an den Gurten verursachen können.



2. Befestigen Sie die Zurrgurte am Fahrzeug und ziehen Sie sie fest.

## Lagerung



**ACHTUNG:** Lagern Sie das Gerät nicht im Freien. Lagern Sie das Gerät immer in überdachten Räumen.

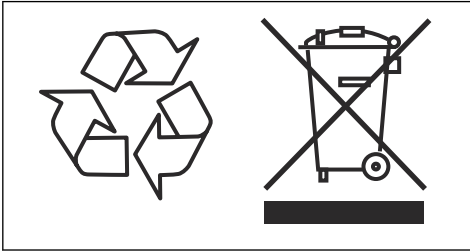
- Bewahren Sie das Gerät in einem trockenen und frostfreien Bereich auf.
- Reinigen Sie das Gerät und führen Sie umfassende Wartungsarbeiten durch, bevor Sie es längere Zeit einlagern.
- Halten Sie den Schleifkopf über dem Boden.
- Bewahren Sie das Gerät in einem verschlossenen Bereich auf, um unbefugten Zugriff durch Kinder oder andere Personen zu verhindern.

## Entsorgung

Durch Symbole auf dem Gerät oder seiner Verpackung wird angezeigt, dass dieses Gerät nicht über den Hausmüll entsorgt werden darf. Es ist einer entsprechenden Recycling-Einrichtung zuzuführen,

damit elektrische und elektronische Komponenten wiedergewonnen werden können.

Dadurch, dass Sie sicherstellen, dass Sie mit diesem Gerät sorgfältig umgehen, können Sie helfen, den potentiellen negativen Auswirkungen auf die Umwelt und Ihre Mitmenschen entgegenzuwirken, die sich andernfalls durch eine unsachgemäße Entsorgung dieses Geräts ergeben können. Genauere Informationen über die ordnungsgemäße Entsorgung dieses Geräts erhalten Sie bei Ihrer Stadtverwaltung, Ihrem Abfallentsorgungsunternehmen oder dem Geschäft, in dem Sie Ihr Gerät gekauft haben.



# Technische Daten

## Technische Daten

	<b>PG 8 D</b> <b>3x380-415 V</b>
Maximale Leistung in kW/PS	11/15
Nennstrom, A	30
Nennspannung, V	380-415
Phasen	Dreiphasig
Frequenz, Hz	50–60
Gewicht, kg/lbs	497/1096
Schleifbreite, mm	800/31,5
Schleifscheibe, mm/Zoll	3X270/10,5
Schleifdruck, kg	238/524
Schleifdruck mit Stützrad, kg/lbs	255/561
Gewicht in Position 1 (vorne), kg/lbs	298/656
Gewicht in Position 1 (vorne) mit Stützrad, kg/lbs	315/693
Gewicht in Position 2 (vertikal), kg/lbs	249/548
Gewicht in Position 2 (vertikal) mit Stützrad, kg/lbs	266/585
Gewicht in Position 3 (hinten), kg/lbs	195/429
Gewicht in Position 3 (hinten) mit Stützrad, kg/lbs	212/466
Schleifscheibendrehzahl, min/max U/min	421–1403
Schleifkopfdrehzahl, min/max U/min	28–92
Rotationsrichtung (von oben)	Schleifkopf: im Uhrzeigersinn  Schleifscheibe: gegen den Uhrzeigersinn
Max. zulässiges Gefälle, Grad (°)	10
Gehäuse, IP	54
<b>Empfohlener Staubabsauger<sup>5</sup></b>	
Staubabsauger-Ausrüstung, mm/Zoll	76/3
Min. Luftstrom, m <sup>3</sup> /h/CFM	815/480

<sup>5</sup> Technische Daten für Staubabsauger beschreiben nicht abschließend die tatsächliche Leistung im Zeitverlauf zwischen verschiedenen Staubabsaugern. Für Husqvarna-Geräte OSHA stehen objektive Daten unter [www.husqvarnacp.com/us](http://www.husqvarnacp.com/us) zur Verfügung.

	<b>PG 8 D</b> <b>3x380-415 V</b>
Min. Vakuum, kPa/psi	30/4,4

## Lautstärke

<b>Geräuschemissionen</b> <sup>6</sup>	
Gemessener Schallleistungspegel $L_W$ , dB(A)	95,4
<b>Lautstärke</b> <sup>7</sup>	
Schalldruckpegel am Ohr des Bedieners, $L_p$ , dB (A)	78,7
<b>Vibrationspegel</b> <sup>8</sup>	
Griff rechts, $m/s^2$	1,7
Griff links, $m/s^2$	1,5

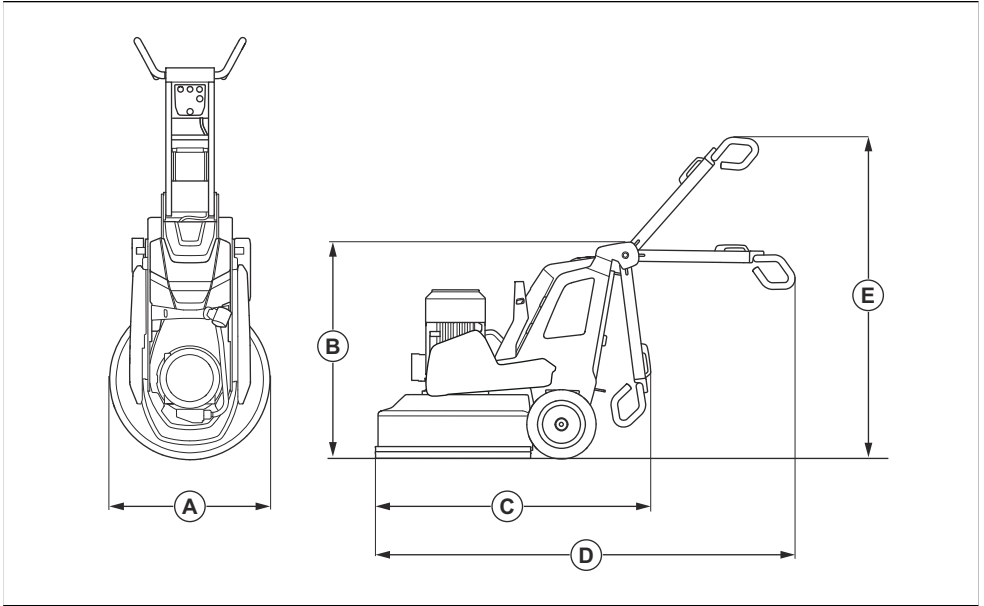
<sup>6</sup> Umweltbelastende Geräuschemissionen, gemessen als Schallleistung gemäß EN 60335-2-72. Erwartete Messunsicherheit 2,5 dB(A)

<sup>7</sup> Schalldruckpegel gemäß EN 60335-2-72 Erwartete Messunsicherheit 4 dB(A)

<sup>8</sup> Vibrationspegel gemäß EN 60335-1 und EN 60335-2-72. Berichten zufolge liegt der Vibrationspegel normalerweise bei einer Ausbreitungsklasse (Standardabweichung) von  $1 m/s^2$ . Die Vibrationswerte gelten für den manuellen Betrieb.



## Gerätemaße



<b>A</b>	Breite, mm/Zoll	830/32,7
<b>B</b>	Min. Gesamthöhe (Griff eingeklappt), mm/Zoll	1145/45,1
<b>D</b>	Min. Gesamtlänge (Griffe eingeklappt), mm/Zoll	1550/61
<b>D</b>	Max. Gesamtlänge (Griffe ausgeklappt), mm/Zoll	2215/87,2
<b>E</b>	Max. Gesamthöhe (Griffe ausgeklappt), mm/Zoll	1700/66,9

# Konformitätserklärung

## EU-Konformitätserklärung

Wir Husqvarna AB, SE-561 82 Huskvarna,  
Schweden, Tel: +46-36-146500, erklären in alleiniger  
Verantwortung, dass das Gerät:

Beschreibung	Bodenschleifmaschine
Marke	HUSQVARNA
Typ/Modell	PG 8 D
Identifizierung	Seriennummern ab 2024

die folgenden EU-Richtlinien und -Verordnungen erfüllt:

Richtlinie/Verordnung	Beschreibung
2006/42/EC	„Maschinenrichtlinie“
2014/30/EU	„über elektromagnetische Verträglichkeit“
2011/65/EU	„zur Beschränkung der Verwendung bestimmter gefährlicher Stoffe“

und dass die folgenden Normen und/oder technischen  
Daten angewendet werden;

EN ISO 11201:2010

EN 60335-2-72:2012

EN 61000-3-2:2014

EN IEC 61000-3-2:2019+A1:2021

EN 61000-3-3:2013+A1:2019+ A2:2021

EN 61000-6-2:2005/AC:2005

EN IEC 61000-6-2:2019

EN 61000-6-4:2007+A1:2011

EN IEC 61000-6-4:2019

Partille, 2024-05-24

Verantwortlich für die technische Dokumentation



A handwritten signature in black ink, appearing to read 'Martin Huber', with a long horizontal stroke extending to the right.

Martin Huber

R&D Director, Concrete Surfaces & Floors

Husqvarna AB, Construction Division

---

## Sommaire

---

Introduction.....	59	Recherche de pannes.....	79
Sécurité.....	63	Transport, entreposage et mise au rebut.....	81
Utilisation.....	67	Caractéristiques techniques.....	84
Entretien.....	76	Déclaration de conformité.....	87

---

## Introduction

---

### Description du produit

Le produit est une meuleuse de sol pour les surfaces de différentes duretés.

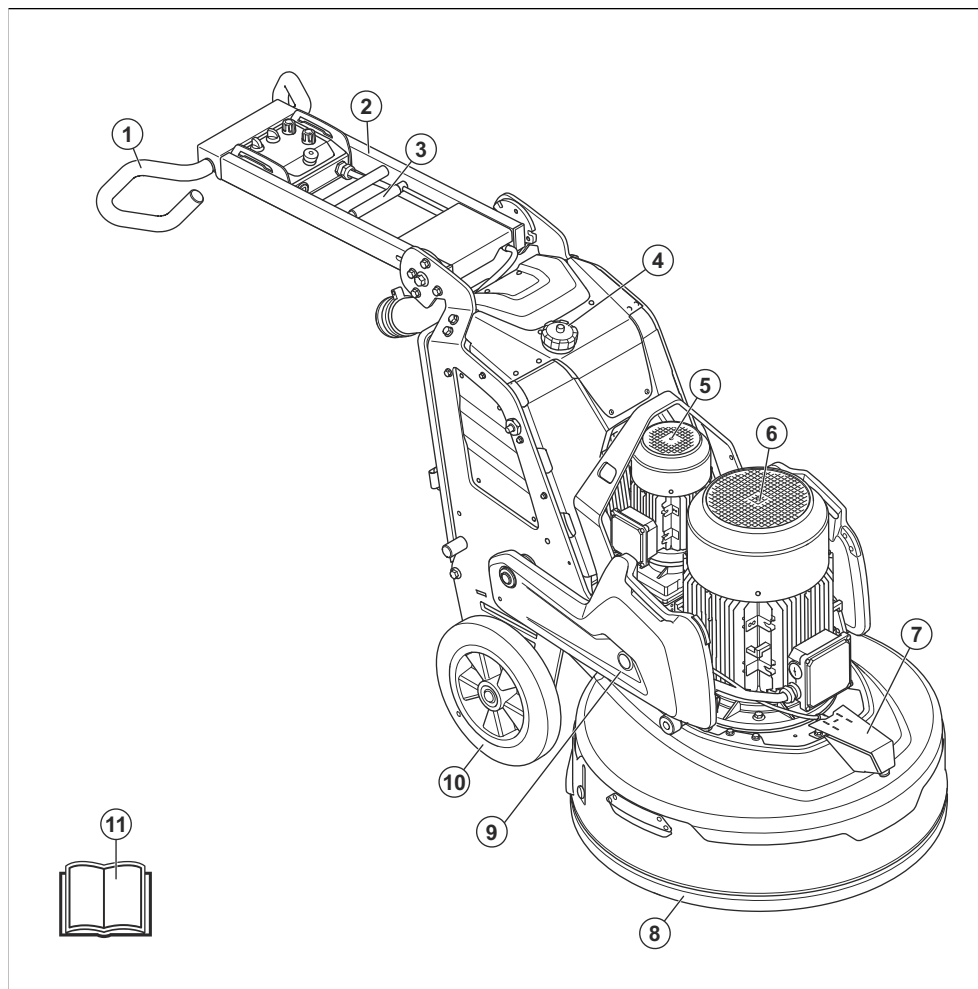
### Utilisation prévue

Le produit est conçu pour meuler les surfaces de matériaux de différentes duretés, comme la pierre

naturelle, le terrazzo et le béton. Le produit est également conçu pour meuler les matériaux de revêtement, comme l'époxy ou la colle. La finition de la surface peut être rugueuse ou lisse. Le produit peut être utilisé pour le meulage à sec ou le meulage avec arrosage. N'utilisez pas ce produit pour d'autres travaux.

Le produit est conçu pour un usage commercial par des opérateurs professionnels.

## Présentation du produit, côté droit



1. Guidon

2. Poignée

3. Levier de blocage pour le réglage de la poignée

4. Réservoir d'eau

5. Moteur de la tête de ponçage

6. Moteur de disque de ponçage

7. Brumisateur

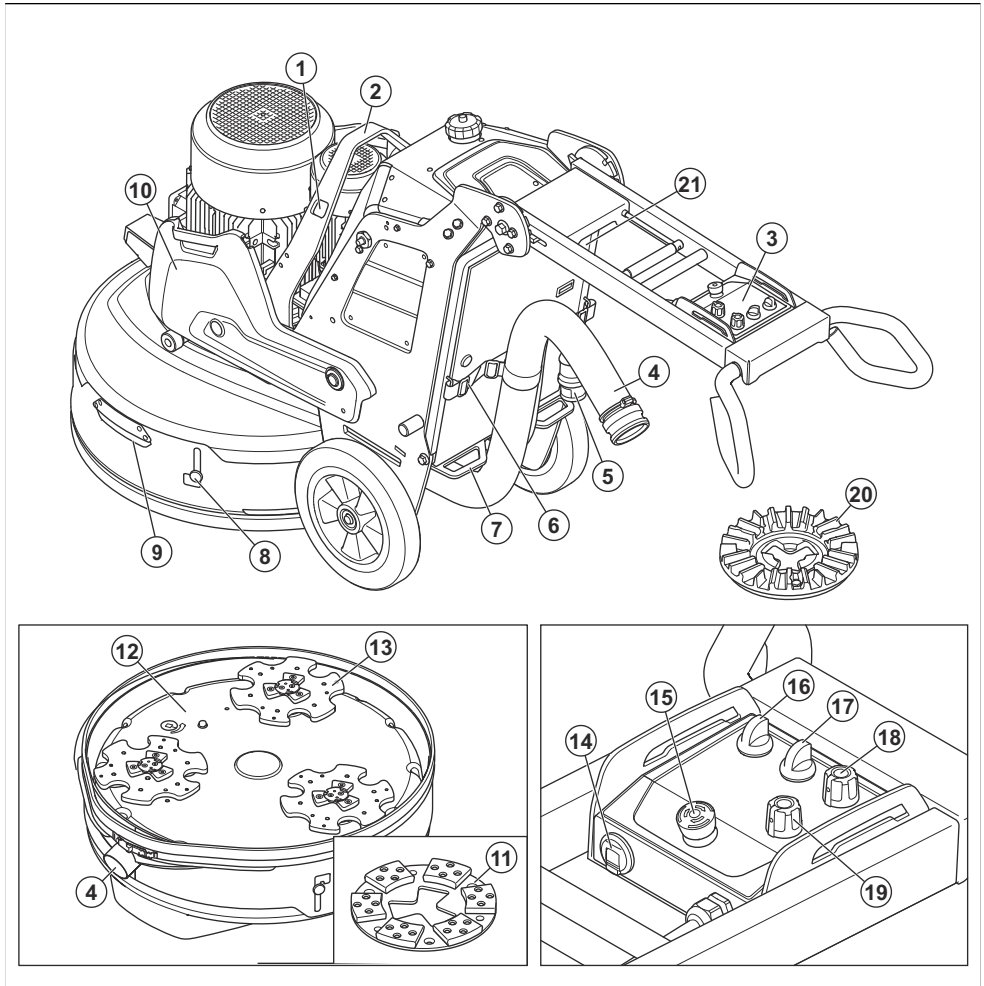
8. Couverture flottant

9. Poids

10. Roue

11. Manuel d'utilisation

## Présentation du produit, côté gauche



- |   |   |
|---|---|
| 1. Trous pour sangles de treuilage  | 12. Tête de ponçage   |
| 2. Anneau de levage   | 13. Disque de ponçage   |
| 3. Panneau de commande  | 14. Chargeur USB  |
| 4. Raccord pour aspirateur industriel   | 15. Bouton d'arrêt d'urgence  |
| 5. Cordon d'alimentation  | 16. Interrupteur de marche/arrêt                                    |
| 6. Dispositif de suspension pour extracteur de poussière et cordon d'alimentation | 17. Interrupteur STOP/RUN   |
| 7. Point d'arrimage   | 18. Bouton de sens de rotation et de vitesse pour disque de ponçage |
| 8. Verrou de transport du couvercle flottant                                      | 19. Bouton de sens de rotation et de vitesse pour tête de ponçage   |
| 9. Poignée du couvercle flottant  | 20. Plaque d'outil EZ Airflow                                       |
| 10. Poids   | 21. Interrupteurs de la fonction de brumisation                     |
| 11. Plaque d'outil  |   |

## Symboles concernant le produit



**AVERTISSEMENT** : ce produit peut être dangereux et causer des blessures graves, voire mortelles, à l'opérateur ou à d'autres personnes. Soyez prudent et utilisez le produit correctement.



Lisez avec attention le manuel d'utilisation et assurez-vous de bien comprendre les instructions avant d'utiliser ce produit.



Utilisez des protège-oreilles, des protections pour les yeux et une protection respiratoire. Reportez-vous à *Équipement de protection individuel à la page 64*.



la poussière peut entraîner des problèmes de santé. Portez une protection respiratoire homologuée. Assurez-vous systématiquement de la bonne circulation de l'air.



Soulevez toujours le produit au niveau de l'anneau de levage.



Utilisez les trous à sangles d'arrimage pour fixer le produit à un véhicule de transport.



Ce produit n'est pas un déchet domestique. Déposez-le dans une déchetterie agréée pour équipements électriques et électroniques.



Ce produit est conforme aux directives CE en vigueur.



Ce produit est conforme aux directives applicables en vigueur au Royaume-Uni.



Le produit est conforme aux directives de l'Union douanière eurasiatique en vigueur.



Symbole de la durée d'utilisation respectueuse de l'environnement (EUPF) de la directive RoHS en Chine.



Étiquette relative aux émissions sonores dans l'environnement, conformément aux directives et réglementations de l'UE et du Royaume-Uni. Le niveau de puissance sonore garanti du produit est spécifié à la section *Caractéristiques techniques à la page 84* et sur l'étiquette.

**Remarque:** les autres symboles/autocollants présents sur le produit concernent des exigences de certification spécifiques à certains marchés.

## Symboles sur le panneau de commande



Arrêt d'urgence.



Produit en marche et réinitialiser le produit.

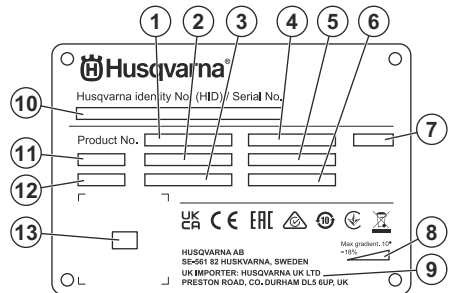


Tête de ponçage en marche.



Vitesse et sens de rotation du disque de ponçage.

## Plaque signalétique



1. Référence de produit
2. Poids du produit
3. Puissance nominale
4. Tension nominale
5. Intensité nominale
6. Fréquence
7. Boîtier
8. Angle de pente maximal
9. Fabricant/importateur
10. Numéro de série
11. Modèle
12. Année de production

## Endommagement du produit

Nous ne sommes pas responsables des dommages subis par le produit si :

- le produit n'est pas correctement réparé ;
- le produit est réparé avec des pièces qui ne proviennent pas du fabricant ou qui ne sont pas homologuées par le fabricant ;
- le produit est équipé d'un accessoire qui ne provient pas du fabricant ou qui n'est pas homologué par le fabricant ;
- le produit n'est pas réparé par un centre d'entretien agréé ou par une autorité homologuée.

## Husqvarna Fleet Services™

Husqvarna Fleet Services™ est une solution cloud qui donne à l'utilisateur un aperçu de tous les produits qui sont connectés. Un capteur Husqvarna Fleet Services™ peut être installé sur ce produit. Le capteur Husqvarna Fleet Services™ recueille les données relatives au produit et vous connecte au système Husqvarna Fleet Services™. Le système Husqvarna Fleet Services™ effectue un compte-rendu de certaines données, comme la durée de fonctionnement, les intervalles d'entretien et l'emplacement du produit.

Pour plus d'informations sur Husqvarna Fleet Services™, téléchargez l'application Husqvarna Fleet Services™ ou contactez votre représentant Husqvarna.

## Sécurité

### Définitions de sécurité

Des avertissements, des recommandations et des remarques sont utilisés pour souligner des parties spécialement importantes du manuel.



**AVERTISSEMENT:** Symbole utilisé en cas de risque de blessures ou de mort pour l'opérateur ou les personnes à proximité si les instructions du manuel ne sont pas respectées.



**REMARQUE:** Symbole utilisé en cas de risque de dommages pour le produit, d'autres matériaux ou les environs si les instructions du manuel ne sont pas respectées.

**Remarque:** Symbole utilisé pour donner des informations supplémentaires pour une situation donnée.

### Instructions générales de sécurité



**AVERTISSEMENT:** lisez les instructions qui suivent avant d'utiliser le produit.

- Ce produit est un outil dangereux si vous ne faites pas attention ou si vous l'utilisez de manière incorrecte. Ce produit peut causer des blessures graves, voire mortelles, à l'opérateur ou à d'autres personnes. Avant d'utiliser le produit, il convient de lire attentivement et de bien comprendre les instructions contenues dans ce manuel de l'opérateur.
- Ce produit n'est pas destiné à être utilisé par des personnes (ou des enfants) aux capacités physiques, sensorielles ou mentales limitées ou manquant d'expérience et de connaissances.
- Conservez tous les avertissements de sécurité et toutes les instructions.
- Respectez l'ensemble des lois et réglementations applicables.
- L'opérateur et son employeur doivent connaître et éviter tout risque au cours de l'utilisation du produit.
- Ne laissez personne utiliser le produit avant d'avoir lu et compris le contenu du manuel de l'opérateur.
- N'utilisez pas le produit sauf si vous bénéficiez d'une formation préalable. Assurez-vous que tous les opérateurs suivent une formation.
- Ne laissez pas un enfant utiliser le produit.
- Seules les personnes autorisées peuvent utiliser le produit.
- L'utilisateur est tenu responsable des accidents auxquels il expose autrui ou ses biens.
- N'utilisez jamais l'appareil si vous êtes fatigué ou malade, ou si vous êtes sous l'emprise d'alcool, de drogues ou de médicaments.
- Soyez toujours prudent et utilisez votre bon sens.
- Ce produit génère un champ électromagnétique durant son fonctionnement. Ce champ peut dans certaines circonstances perturber le fonctionnement d'implants médicaux actifs ou passifs. Pour réduire le risque de blessures graves ou mortelles, nous recommandons aux personnes portant des implants médicaux de consulter leur médecin et le fabricant de leur implant avant d'utiliser cet appareil.
- Maintenez le produit propre. Assurez-vous que vous pouvez lire clairement les avertissements et les autocollants.
- N'utilisez pas le produit si celui-ci est endommagé.
- Ne modifiez pas ce produit.
- N'utilisez pas le produit s'il est susceptible d'avoir été modifié par d'autres personnes.

## Instructions de sécurité pour le fonctionnement



**AVERTISSEMENT:** Lisez les instructions qui suivent avant d'utiliser le produit.

- Utilisez un équipement de protection personnelle. Reportez-vous à la section *Équipement de protection individuel à la page 64*.
- Ne vous éloignez pas du produit lorsque le moteur est allumé.
- Débranchez toujours le cordon d'alimentation avant de vous éloigner du produit.
- Ne tirez pas sur le tuyau de l'extracteur de poussière. Le produit peut tomber et causer des blessures et dommages.
- La tête de meulage doit être en contact avec la surface lorsque vous démarrez le produit. Ceci n'est pas applicable lorsque vous contrôlez l'interrupteur MARCHÉ/ARRÊT.
- Ne démarrez pas le produit si la jupe n'est pas installée. La jupe doit assurer une étanchéité complète entre le produit et le sol.
- Tenez le produit à l'écart des zones où il peut provoquer des blessures. Le produit peut rapidement changer de position et vous heurter.
- Si la machine ne fonctionne pas correctement, arrêtez le moteur.
- Assurez-vous que des vêtements, cheveux longs et bijoux ne peuvent pas se coincer dans les pièces en mouvement.
- Veillez à vous tenir dans une position stable et sûre pendant l'utilisation du produit.
- N'utilisez pas le produit si vous ne pouvez pas être secouru en cas d'accident.
- Si des vibrations se produisent dans le produit ou si le niveau sonore du produit est anormalement élevé, arrêtez immédiatement le produit. Vérifiez que le produit n'est pas endommagé. Réparez les éventuels dommages ou demandez à un atelier spécialisé agréé de procéder aux réparations.
- Une exposition excessive aux vibrations peut entraîner des troubles circulatoires ou nerveux chez les personnes sujettes à des troubles cardiovasculaires. Consultez un médecin en cas de symptômes liés à une exposition excessive aux vibrations. Ces symptômes peuvent être les suivants : insensibilisation ou irritation locale, douleur, chatouillements, faiblesse musculaire, décoloration ou modification cutanée. Ces symptômes affectent généralement les doigts, les mains ou les poignets.
- Ne stationnez pas le produit sur un terrain en pente. Si vous devez stationner le produit sur une pente, assurez-vous qu'il ne risque pas de bouger ou de tomber. Sa chute risquerait d'entraîner des blessures et des dommages.

- Soyez très prudent lorsque vous utilisez le produit sur un terrain en pente. Le produit est lourd et peut causer des blessures graves en cas de chute.
- Ne déplacez pas le produit dans des pentes raides. Reportez-vous à la plaque signalétique du produit pour plus d'informations sur l'angle de pente maximal.
- Utilisez uniquement des accessoires homologués. Pour davantage d'informations, contactez votre revendeur.

## Équipement de protection individuel



**AVERTISSEMENT:** Lisez les instructions qui suivent avant d'utiliser le produit.

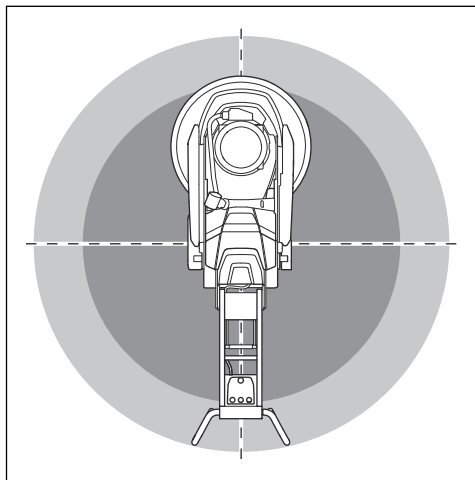
- Utilisez toujours un équipement de protection individuel approprié lorsque vous faites fonctionner le produit. L'équipement de protection individuel n'empêche pas le risque de blessures. L'équipement de protection individuel diminue la gravité des blessures en cas d'accident. Faites appel à votre revendeur pour vous aider à sélectionner l'équipement adéquat.
- Utilisez des protections pour les yeux homologuées pendant que vous utilisez le produit.
- Ne portez pas de vêtements lâches, lourds ou inadaptés. Portez des vêtements qui garantissent votre liberté de mouvement.
- Utilisez des gants de protection homologués qui permettent de tenir fermement des objets.
- Utilisez des gants de protection en caoutchouc afin d'éviter toute irritation de la peau due au béton humide.
- Utilisez un casque de protection homologué.
- Utilisez toujours des protecteurs d'oreille homologués pendant l'utilisation du produit. Une exposition au bruit sur de longues périodes peut provoquer une perte d'audition.
- Le produit génère de la poussière et des fumées qui contiennent des produits chimiques dangereux. Utilisez une protection respiratoire homologuée.
- Utilisez des bottes avec embouts en acier et semelles antidérapantes.
- Assurez-vous de disposer d'une trousse de premiers soins à proximité.
- Des étincelles peuvent se produire lorsque vous utilisez le produit. Assurez-vous de disposer d'un extincteur à proximité.

## Sécurité dans l'espace de travail

- Pendant l'utilisation du produit, éloignez les personnes présentes de la zone illustrée ci-dessous.



L'opérateur doit être très prudent lorsqu'il se trouve dans cette zone pendant l'utilisation du produit.



- Assurez-vous que seules les personnes autorisées se trouvent dans la zone de travail.
- N'utilisez pas le produit en cas de brouillard, pluie, vents violents, risque de foudre ou autres conditions climatiques. L'utilisation du produit en cas de mauvaises conditions météorologiques peut affecter votre vigilance. Le mauvais temps peut provoquer des conditions de travail dangereuses.
- Identifiez les éventuels personnes, objets et situations susceptibles de nuire à la sécurité du fonctionnement du produit.
- Maintenez la zone de travail suffisamment éclairée.
- N'utilisez pas ce produit dans des zones présentant un risque d'incendie ou d'explosion.

### Sécurité électrique



**AVERTISSEMENT:** les produits électriques présentent toujours un risque d'électrocution. N'utilisez pas le produit dans de mauvaises conditions météorologiques. Ne touchez pas de paratonnerres ni d'objets métalliques. Utilisez toujours le produit comme indiqué dans ce manuel d'utilisation pour éviter les blessures.



**AVERTISSEMENT:** utilisez toujours une alimentation électrique avec RCD (disjoncteur différentiel de fuite à la terre). L'utilisation d'un RCD permet de réduire le risque de choc électrique.



**AVERTISSEMENT:** haute tension. Il y a des pièces non protégées dans l'unité

électrique. Débranchez toujours le produit de la fiche d'alimentation avant d'ouvrir la porte du boîtier électrique.



**REMARQUE:** l'alimentation électrique du produit ou du générateur doit être suffisamment puissante et constante pour que le moteur puisse fonctionner sans problème. Une tension incorrecte provoque l'augmentation de la consommation d'énergie et de la température du moteur jusqu'au déclenchement du circuit de sécurité. Les dimensions du cordon d'alimentation doivent être conformes aux réglementations nationales et locales. Les dimensions de la prise de courant murale doivent être conformes à l'ampérage de la prise électrique et du câble de rallonge du produit.

Si la résistance du secteur est plus élevée, de brèves chutes de tension peuvent se produire au démarrage du produit. Cela peut affecter le fonctionnement d'autres produits ; les lampes peuvent par exemple vaciller.

- Assurez-vous que la tension d'alimentation, des fusibles et du secteur est identique à celle indiquée sur la plaque signalétique du produit.
- Arrêtez toujours le produit avant de débrancher la fiche d'alimentation.
- N'utilisez pas le produit si le cordon d'alimentation ou la fiche d'alimentation sont endommagés. Confiez-le à un centre d'entretien homologué pour réparation. Un cordon d'alimentation endommagé peut provoquer des blessures graves, voire mortelles.
- Utilisez le cordon d'alimentation correctement. N'utilisez pas le cordon d'alimentation pour déplacer, tirer ou débrancher le produit. Tirez sur la fiche d'alimentation pour débrancher le câble d'alimentation. Ne tirez pas le cordon d'alimentation.
- N'utilisez pas le produit dans un trou d'eau suffisamment profond pour mouiller l'équipement du produit. L'équipement peut être endommagé et le produit peut être mis sous tension et causer des blessures.
- Veillez à ce que l'humidité dans le produit se limite à celle liée à l'alimentation du système d'eau. Tenez le produit à l'abri de la pluie. L'eau qui s'infiltré dans le produit augmente le risque d'électrocution.
- Débranchez toujours de cordon d'alimentation avant de brancher ou débrancher la connexion du câble du moteur et du boîtier électrique.
- Ne pas diriger la buse de pulvérisation du produit sur des câbles électriques ou des composants électriques.

## Valeurs guides pour la source d'alimentation

Tension nominale de la source d'alimentation, V	Tension min. au niveau du produit, V	Tension max. au niveau du produit, V	Fréquence, Hz	Courant nominal, A	Sortie du moteur	Zone de câble min., mm2/AWG	Longueur de câble max. m/pi
3x220	200	240	50/60	50	11+1,5	10/7	55/180
3x400/440/480	380	480	50/60	30	11+1,5	6/9	55/180
3x220	200	240	50/60	50	11+1,5	10/7	55/180
3x400/440/480	380	480	50/60	30	15+1,5	6/9	55/180

### Instructions pour produit mis à la terre



**AVERTISSEMENT:** un mauvais branchement peut provoquer un choc électrique. Consultez un électricien agréé si vous n'êtes pas certain que votre prise secteur soit correctement mise à la terre.

Ne modifiez pas la prise de courant par rapport à ses spécifications d'usine. Si la fiche ou le cordon d'alimentation est endommagé ou doit être remplacé, contactez votre atelier spécialisé Husqvarna. Respectez la législation et les réglementations locales.

Si vous n'avez pas bien compris les instructions de mise à la terre du produit, consultez un électricien homologué.

Utilisez uniquement des rallonges extérieures mises à la terre avec des fiches de mise à la terre et une prise de mise à la terre acceptant la fiche d'alimentation du produit.

Le produit est équipé d'un cordon d'alimentation de mise à la terre et d'une prise de courant. Branchez systématiquement le produit sur une prise secteur mise à la terre. Cela réduit le risque de choc électrique.

N'utilisez pas d'adaptateurs électriques avec le produit.

### Rallonges

- Utilisez uniquement des rallonges homologuées d'une longueur suffisante.
- La valeur nominale sur la rallonge doit être identique ou supérieure à celle indiquée sur la plaque signalétique du produit.
- Utilisez des câbles de rallonge mis à la terre.
- Lorsque vous utilisez l'outil à l'extérieur, utilisez une rallonge adaptée à un usage extérieur. Cela réduit le risque de choc électrique.

- Maintenez la connexion de la rallonge au sec et au-dessus du sol.
- Maintenez la rallonge à l'écart de la chaleur, d'huile, de bords tranchants ou de pièces en mouvement. Un câble endommagé augmente le risque de choc électrique.
- Assurez-vous que la rallonge est en bon état et non endommagée.
- N'utilisez pas la rallonge lorsqu'elle est enroulée. Cela peut entraîner une surchauffe de la rallonge.
- Assurez-vous que la rallonge est derrière vous et derrière le produit lorsque vous utilisez le produit. Cela empêche toute dégradation de la rallonge.

### Dispositifs de sécurité sur le produit

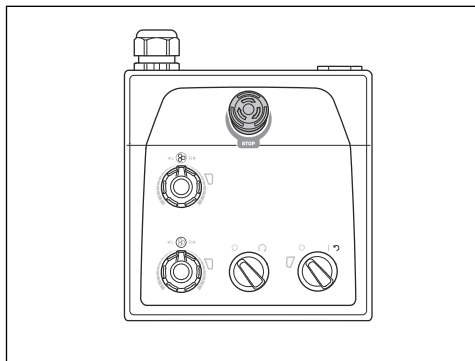


**AVERTISSEMENT:** lisez les instructions qui suivent avant d'utiliser le produit.

- N'utilisez pas un produit dont les dispositifs de sécurité sont endommagés ou ne fonctionnent pas correctement.
- Contrôlez les dispositifs de sécurité régulièrement. Si les dispositifs de sécurité sont endommagés ou ne fonctionnent pas correctement, contactez votre atelier spécialisé Husqvarna.
- N'apportez pas de modifications aux dispositifs de sécurité.

## Bouton d'arrêt d'urgence

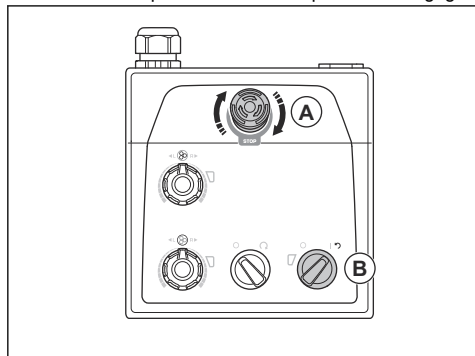
Le bouton d'arrêt d'urgence permet d'arrêter rapidement le moteur. Le bouton d'arrêt d'urgence coupe l'alimentation électrique du secteur.



**REMARQUE:** N'utilisez pas le bouton d'arrêt d'urgence à la place du bouton d'arrêt pour éteindre le produit.

## Vérification du bouton d'arrêt d'urgence

1. Tournez le bouton d'arrêt d'urgence (A) situé sur le panneau de commande dans le sens des aiguilles d'une montre pour vous assurer qu'il est désengagé.



2. Placez l'interrupteur 1/0 (B) du panneau de commande sur « 1 » pour démarrer le moteur. La LED située à côté de l'interrupteur 1/0 s'allume.
3. Appuyez sur le bouton d'arrêt d'urgence.
4. Assurez-vous que la LED située à côté de l'interrupteur 1/0 s'éteint.
5. Tournez le bouton d'arrêt d'urgence dans le sens des aiguilles d'une montre pour le désengager.

## Consignes de sécurité pour l'entretien

- Assurez-vous que toutes les pièces sont en bon état et que toutes les fixations sont correctement serrées.
- N'utilisez pas un produit défectueux. Effectuez les contrôles de sécurité, de maintenance et d'entretien indiqués dans ce manuel. Toutes les autres tâches d'entretien doivent être effectuées par un agent d'entretien homologué.
- Arrêtez le produit lorsque vous remplacez les outils diamantés. Placez l'interrupteur marche/arrêt sur 0 et appuyez sur le bouton d'arrêt d'urgence.
- Effectuez l'inspection et/ou l'entretien avec le moteur arrêté et la prise de courant débranchée.
- Effectuez l'entretien pour vous assurer que le produit fonctionne correctement. Reportez-vous à la section *Schéma d'entretien à la page 76*.

## Utilisation

### Introduction



**AVERTISSEMENT:** Avant d'utiliser le produit, vous devez lire et comprendre le chapitre sur la sécurité.

### Retrait du produit de son emballage



**AVERTISSEMENT:** Retirez le produit de la palette avec précaution et de manière sécurisée. Le produit est lourd et peut causer des blessures graves en cas de chute.

- Assurez-vous que tous les articles indiqués sur l'aperçu du produit sont inclus. Reportez-vous à la section *Présentation du produit, côté droit à la page 60*. Contactez votre revendeur Husqvarna si un article est manquant ou endommagé avant de retirer le produit de la palette.
- Retirez toutes les sangles de maintien et les cales des roues.
- Assurez-vous que la zone est dégagée et que vous disposez de suffisamment d'espace pour déplacer le produit.
- Assurez-vous qu'il n'y a aucun risque de chute, pour vous ou pour le produit.
- Utilisez l'équipement de levage ou les rampes pour retirer le produit de la palette. Ce produit est lourd. Déplacez le produit de manière sécurisée. Reportez-vous à la section *Pour lever le produit à la page 82*.

## À faire avant d'utiliser le produit

1. Lisez attentivement le manuel d'utilisation et assurez-vous de bien comprendre les instructions.
2. Portez l'équipement de protection individuelle nécessaire. Reportez-vous à *Équipement de protection individuel à la page 64*.
3. Assurez-vous que seules les personnes autorisées se trouvent dans la zone de travail.
4. Effectuez l'entretien quotidien. Reportez-vous à *Schéma d'entretien à la page 76*.
5. Assurez-vous que le produit est correctement monté et qu'il n'est pas endommagé.
6. Placez le produit sur la zone de travail. Assurez-vous que le transport du produit vers et dans la zone de travail est effectué correctement et en toute sécurité. Reportez-vous à *Transport à la page 81*.
7. Assurez-vous que des outils diamantés sont présents sur les plaques d'outils et qu'ils y sont bien fixés.
8. Branchez un aspirateur industriel sur le produit. Reportez-vous à *Branchement d'un aspirateur industriel à la page 71*.
9. Réglez la poignée et le guidon à une hauteur d'utilisation confortable. Reportez-vous à *Réglage de la poignée et du guidon à la page 72*.
10. Assurez-vous que le câble du moteur est connecté au boîtier électrique avant de brancher le produit sur une prise secteur. Reportez-vous à *Installation et dépose de la tête de ponçage à la page 78*.
11. Branchez le produit à une source d'alimentation. Reportez-vous à *Branchement du produit à une source d'alimentation à la page 72*.
12. Tournez le bouton d'arrêt d'urgence situé sur le panneau de commande dans le sens des aiguilles d'une montre pour vous assurer qu'il est désengagé.
13. Assurez-vous de connaître le sens de rotation des disques à meuler lorsque vous utilisez des outils diamantés de direction, tels que des outils Piranhas.

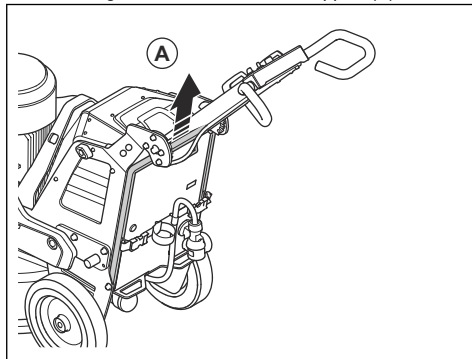
## Engagement et désengagement du châssis de support

Le produit est doté d'un châssis de support qui lui permet de s'incliner vers l'arrière. Le châssis de support sert également de dispositif de suspension pour le tuyau de l'extracteur de poussière et le cordon d'alimentation.

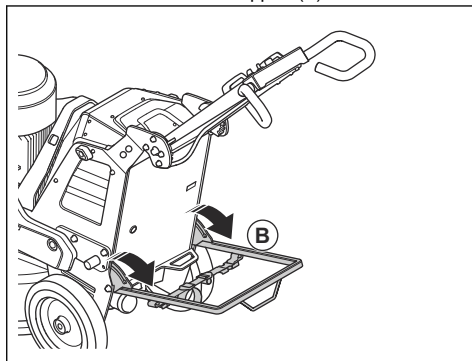


**AVERTISSEMENT:** Déplacez le châssis de support avec précaution. Les pièces mobiles peuvent provoquer des blessures.

1. Levez légèrement le châssis de support (A).



2. Abaissez le châssis de support (B).



3. Repliez le châssis de support en effectuant les mêmes étapes dans l'ordre inverse.

## Outils diamantés

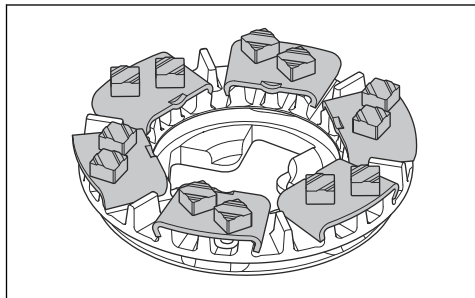
De nombreux types et configurations d'outils diamantés sont disponibles pour le produit. Des outils diamantés à liant métallique sont utilisés pour retirer de la matière et les outils diamantés à liant en résine sont utilisés pour polir les surfaces. Utilisez les outils diamantés appropriés selon la surface. Contactez votre revendeur Husqvarna ou rendez-vous sur [www.husqvarnacp.com](http://www.husqvarnacp.com) pour savoir comment choisir l'outil adapté.

## Kit complet et demi-kit d'outils diamantés

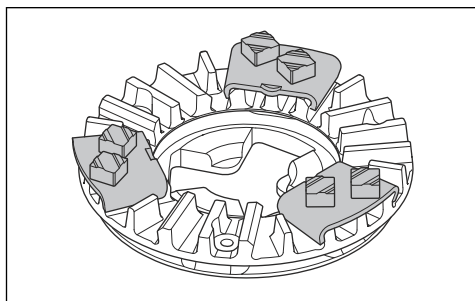
La configuration des segments d'outils diamantés a un impact sur la qualité finale de la surface. La configuration a également un impact sur le taux de fonctionnement du produit.

La plaque d'outil EZ Airflow est utilisée pour un meilleur refroidissement et offre de meilleures performances d'outil.

- Kit complet d'outils diamantés : cette configuration est applicable pour une finition sol plat.



- Demi-kit d'outils diamantés : cette configuration est applicable lorsqu'une finition sol plat n'est pas nécessaire.



## Pour remplacer les outils diamantés



**AVERTISSEMENT:** utilisez des gants de protection. Les outils diamantés peuvent devenir très chauds et vous pouvez vous blesser la main lorsque vous soulevez le couvercle flottant.



**AVERTISSEMENT:** portez une protection respiratoire homologuée lorsque vous remplacez les outils diamantés. La poussière présente sous la tête de meulage est dangereuse pour la santé.



**AVERTISSEMENT:** utilisez l'aspirateur industriel lorsque vous

remplacez les outils diamantés. L'aspirateur industriel réduit la quantité de poussière, qui a des effets nocifs sur la santé.



**AVERTISSEMENT:** ne réglez pas les poids lorsque le produit est incliné ou en position d'entretien.

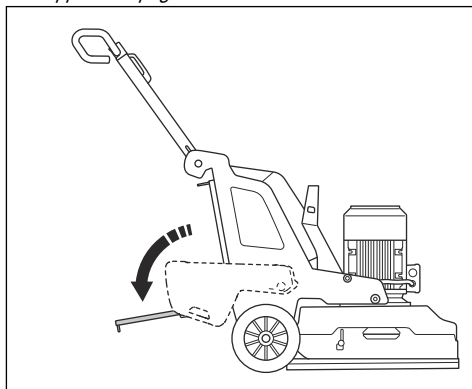


**REMARQUE:** Tous les disques à meuler doivent toujours présenter le même type et le même nombre de diamants. La hauteur des diamants doit être identique sur tous les disques à meuler.

1. Arrêtez le produit. Reportez-vous à *Arrêt du produit* à la page 74.
2. Tournez le bouton d'arrêt d'urgence situé sur le panneau de commande dans le sens des aiguilles d'une montre pour vous assurer qu'il est désengagé.
3. Placez la poignée en position d'entretien. Reportez-vous à *Positions de la poignée* à la page 71.
4. Si des poids sont installés, réglez-les en position arrière. Reportez-vous à *Poids* à la page 75.
5. Mettez des gants de protection.
6. Soulevez et tournez le couvercle flottant.

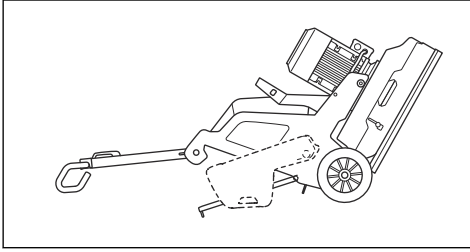
**Remarque:** soulever le couvercle vous permet d'accéder plus facilement aux outils diamantés.

7. Bloquez le couvercle avec le verrou de transport du couvercle flottant.
8. Engagez le châssis de support. Reportez-vous à *Engagement et désengagement du châssis de support* à la page 68.



9. Contrôlez les verrous du couvercle flottant. Remplacez les verrous endommagés ou manquants avant d'incliner le produit.

10. Tenez le guidon et inclinez le produit vers l'arrière en posant un pied sur le châssis de support. Inclinez le produit jusqu'à ce que le guidon touche le sol.

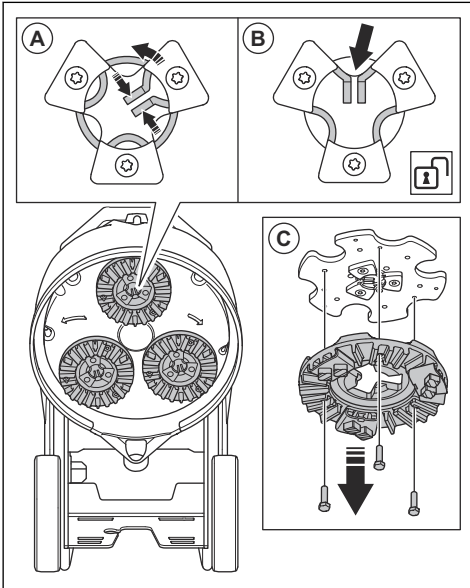


**AVERTISSEMENT:** assurez-vous que le produit est dans une position stable avant de remplacer les outils diamantés.



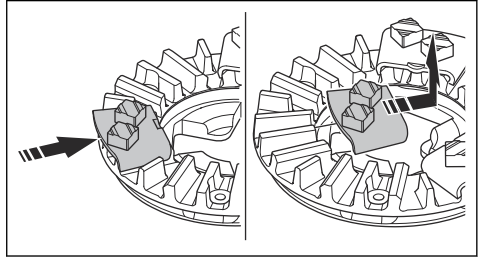
**REMARQUE:** si des poids sont installés, ils doivent être en position arrière lorsque vous inclinez le produit. Ne réglez pas les poids depuis la position arrière lorsque la ponceuse est inclinée.

11. Appuyez sur les languettes centrales ensemble et tournez-les dans le sens contraire des aiguilles d'une montre (A) pour déverrouiller la plaque de l'outil sur le disque de ponçage.

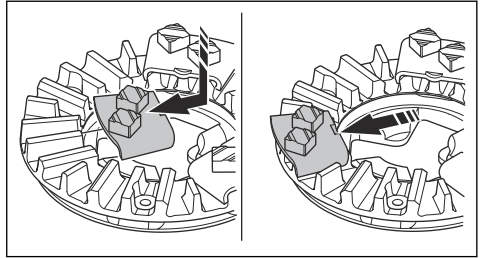


12. Tirez la plaque de l'outil vers l'extérieur (C) pour la retirer du disque de ponçage.

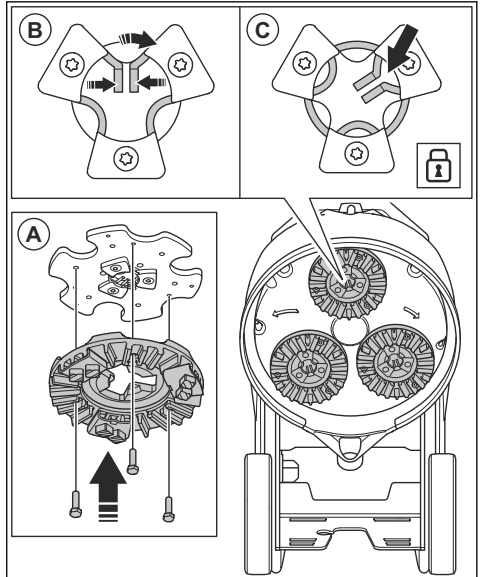
13. À l'aide d'un marteau, retirez les outils diamantés de la plaque d'outil.



14. Fixez les outils diamantés neufs à la plaque d'outil en donnant de légers coups de marteau.



15. Fixez la plaque d'outil de manière droite (A) sur le disque de ponçage.



16. Appuyez sur les languettes centrales ensemble et tournez-les dans le sens des aiguilles d'une montre (B) pour verrouiller la plaque de l'outil sur le disque de ponçage.

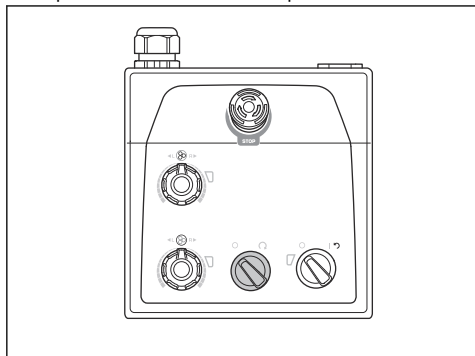
17. Soulevez le produit avec précaution pour le placer en position de fonctionnement. Soutenez-le à l'aide du guidon et du châssis de support.
18. Désengagez le châssis de support.

## Branchement d'un aspirateur industriel



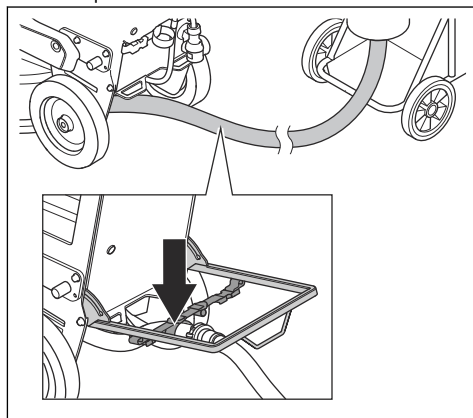
**AVERTISSEMENT:** n'utilisez pas l'aspirateur industriel si son tuyau est endommagé. L'utilisation d'un tuyau endommagé accroît le risque d'inhalation de poussière nocive pour votre santé, portez une protection respiratoire homologuée.

1. Vérifiez que le tuyau de l'aspirateur industriel n'est pas endommagé.
2. Assurez-vous que les filtres de l'aspirateur industriel sont en bon état et propres.
3. Assurez-vous que l'interrupteur STOP/RUN situé sur le panneau de commande est positionné sur 0.



4. Branchez le tuyau de l'aspirateur industriel sur le produit.
5. Engagez le châssis de support. Reportez-vous à *Engagement et désengagement du châssis de support* à la page 68.

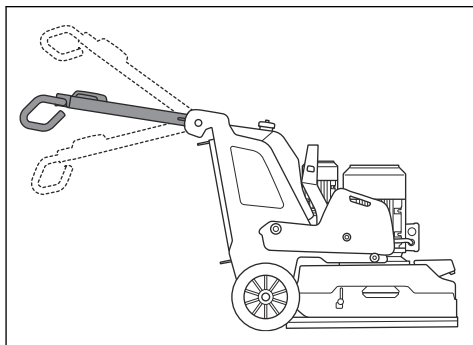
6. Accrochez le tuyau de l'aspirateur industriel sur le dispositif de suspension du châssis de support pour éviter qu'il se tende.



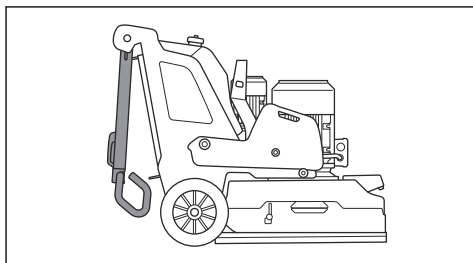
7. Désengagez le châssis de support.

## Positions de la poignée

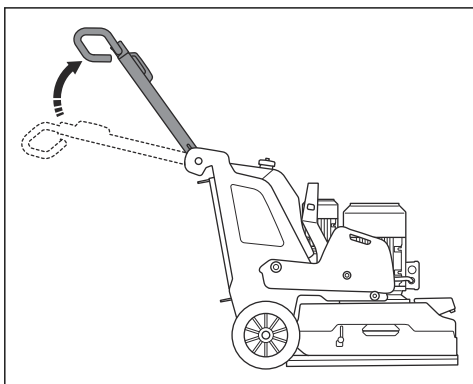
- Position de fonctionnement de la poignée :



- Position de transport de la poignée :



- Position d'entretien de la poignée :



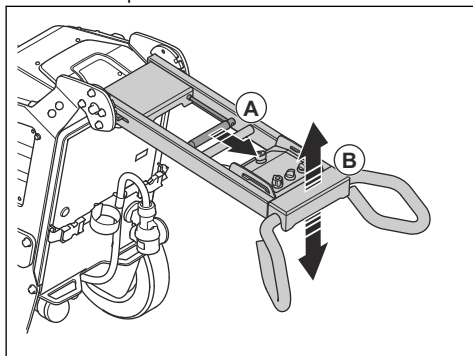
## Réglage de la poignée et du guidon



**AVERTISSEMENT:** Réglez la poignée et le guidon avec précaution. Assurez-vous que la poignée et le guidon sont fixés en position. Les pièces mobiles peuvent provoquer des blessures.

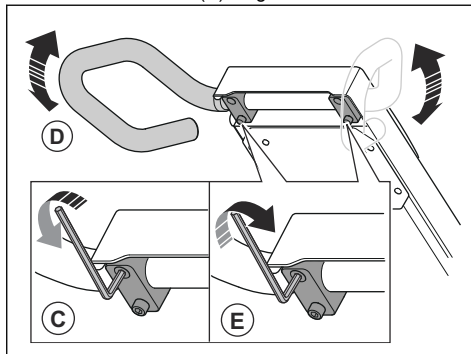
Réglez la hauteur de la poignée le plus proche possible de celle de la hanche de l'opérateur. Pendant son utilisation, le produit peut tirer d'un côté. L'opérateur peut empêcher le produit de tirer vers le côté avec sa hanche.

1. Tirez le levier de blocage (A) de la poignée en direction du panneau de commande et maintenez-le dans cette position.



2. Réglez la poignée (A) à une hauteur d'utilisation confortable.
3. Relâchez le levier de blocage de la poignée pour la fixer dans cette position.

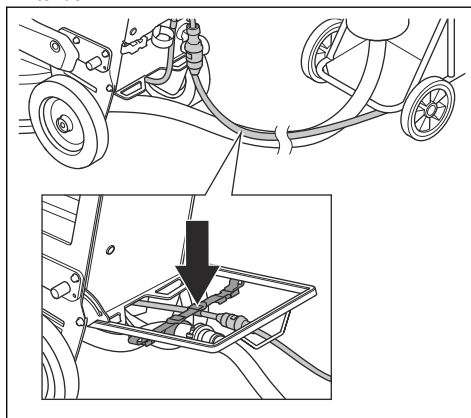
4. Desserrez les 4 vis (C) du guidon.



5. Réglez le guidon (D) à une hauteur d'utilisation confortable.
6. Serrez les 4 vis (E) du guidon pour le fixer en position.

## Branchement du produit à une source d'alimentation

1. Branchez la prise de courant du produit sur le câble de rallonge.
2. Branchez le câble de rallonge à une prise secteur.
3. Engagez le châssis de support. Reportez-vous à la section *Engagement et désengagement du châssis de support à la page 68*.
4. Accrochez le cordon d'alimentation au dispositif de suspension du châssis de support pour éviter qu'il se tende.



5. Désengagez le châssis de support.



**REMARQUE:** Lorsque le produit est connecté à un extracteur de poussière, ce dernier doit être connecté à une source d'alimentation triphasée.



## Utilisation de la vitesse

Si le produit est utilisé sur un nouveau type de surface, réglez la vitesse sur 70 % au départ. Lorsque l'utilisateur connaît le type de surface, la vitesse peut être ajustée.

## Sens de rotation de la tête de meulage et des disques à meuler

Vu de sur le produit, le sens de rotation se présente comme suit :

- « R » : dans le sens des aiguilles d'une montre
- « L » : dans le sens contraire des aiguilles d'une montre

Le résultat obtenu est optimal lorsque la tête de meulage et les disques à meuler tournent dans le même sens.

En fonctionnement, le produit peut tirer d'un côté. La direction de la traction est liée au sens de rotation. Le produit tire vers la droite lorsque le sens de rotation est réglé sur « L ». Le produit tire vers la gauche lorsque le sens de rotation est réglé sur « R ».

La traction sur le côté peut vous aider à diriger le produit, par exemple près d'un mur. Réglez le sens de rotation pour tirer dans la direction du mur.

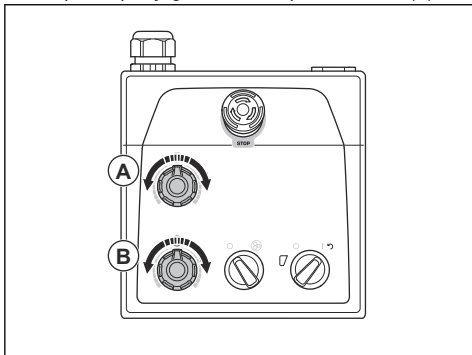


**REMARQUE:** Dirigez le produit avec précaution. Assurez-vous que le produit ne touche que légèrement le mur. Le produit est lourd et peut causer des dommages.

## Modification de la vitesse et du sens de rotation du moteur

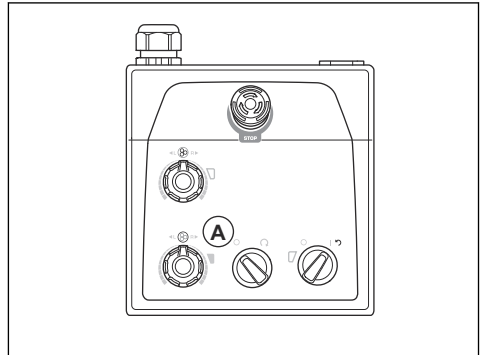
Changez régulièrement le sens de rotation du moteur pour prolonger la durée de vie et l'affûtage des outils diamantés. Les segments des outils diamantés sont utilisés de manière égale et la surface de contact reste aussi importante que possible.

- Pour régler la vitesse et le sens de rotation de la tête de ponçage, tournez le potentiomètre (A).
- Pour régler la vitesse et le sens de rotation du disque de ponçage, tournez le potentiomètre (B).



## Utilisation du produit

- Commandez le produit manuellement à l'aide du panneau de commande situé sur la poignée. Reportez-vous à *Présentation du produit, côté droit à la page 60*.
- Lors de l'utilisation du produit, surveillez les changements de couleur de l'indicateur de l'inverseur du moteur de meulage (A).



- Voyant vert : le produit fonctionne correctement.
- Voyant orange : la tête de meulage est surchargée. Réduisez la puissance de sortie à 10 secondes ou moins pour éviter l'apparition d'un défaut.
- Voyant rouge : défaut de l'inverseur et arrêt de la tête de meulage. Il est nécessaire de réinitialiser le produit. Reportez-vous à *Pour réinitialiser le produit à la page 74*.

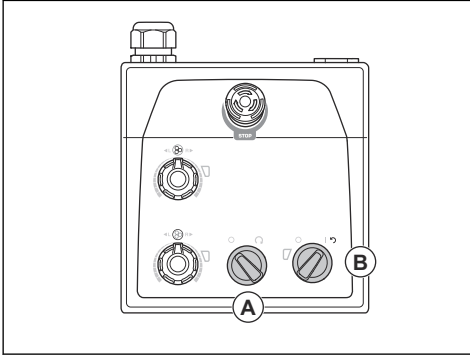
## Démarrage du produit



**REMARQUE:** Déplacez le produit en permanence lorsque la tête de ponçage est activée. Si vous ne déplacez pas le produit, la surface peut devenir rugueuse.

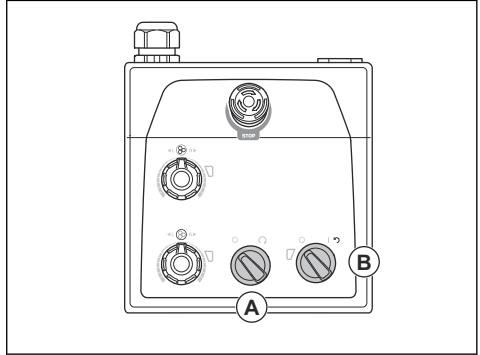
1. Abaissez légèrement le guidon pour soulever la tête de meulage de la surface. La surface de friction des outils diamantés est ainsi relâchée. Ne levez pas complètement la tête de meulage de la surface lors de l'utilisation du produit.

2. Tournez l'interrupteur STOP/RUN (A) du panneau de commande dans le sens contraire des aiguilles d'une montre et placez-le sur 0 pour vous assurer que la tête de ponçage est désactivée.



3. Placez l'interrupteur 1/0 (B) du panneau de commande sur la position fléchée pour démarrer le produit. La LED située à côté de l'interrupteur 1/0 s'allume.
4. Tournez l'interrupteur STOP/RUN situé sur le panneau de commande dans le sens des aiguilles d'une montre pour démarrer la tête de meulage. En moins de 5 secondes, le produit fonctionne au régime de ralenti.

1. Tournez l'interrupteur STOP/RUN (A) du panneau de commande dans le sens contraire des aiguilles d'une montre et placez-le sur 0 afin d'arrêter la tête de ponçage.



2. Maintenez les plaques des outils contre la surface jusqu'à ce qu'elles s'arrêtent complètement.



**REMARQUE:** si vous meulez un matériau adhésif, de l'asphalte, de la peinture ou un matériau équivalent, le produit risque de se coller à la surface adhésive. Immédiatement après l'arrêt complet de la plaque d'outil, soulevez légèrement l'avant de la tête de meulage.

## Arrêt du produit

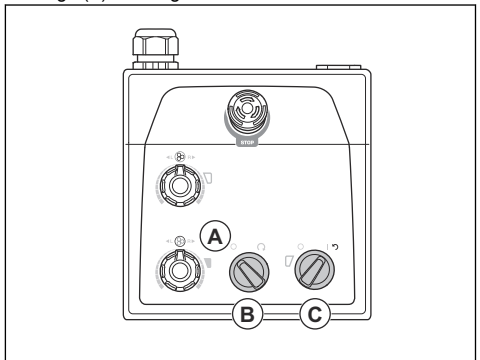


**REMARQUE:** ne soulevez pas la tête de meulage de la surface lorsque vous arrêtez le moteur. Les plaques des outils tournent pendant un moment après l'arrêt du moteur. La poussière risque de pénétrer dans l'air et d'endommager la surface.

3. Placez l'interrupteur 1/0 (B) du panneau de commande sur « 0 » pour arrêter le produit. La LED située à côté de l'interrupteur 1/0 s'éteint.
4. Débranchez la fiche d'alimentation électrique.

## Pour réinitialiser le produit

L'interrupteur 1/0 peut être utilisé comme interrupteur de réinitialisation si l'inverseur se relâche. Réinitialisez le produit lorsque l'indicateur de l'inverseur du moteur de meulage (A) est rouge.

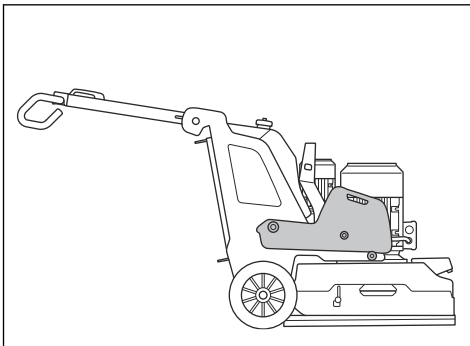


1. Tournez l'interrupteur STOP/RUN (B) dans le sens contraire des aiguilles d'une montre et placez-le sur 0 afin de vous assurer que la tête de ponçage est désactivée.
2. Placez l'interrupteur 1/0 sur la position fléchée (C) pour réinitialiser le produit. L'indicateur de l'inverseur de moteur de meulage est vert lorsque le défaut est réinitialisé.
3. Tournez l'interrupteur STOP/RUN situé sur le panneau de commande dans le sens des aiguilles d'une montre pour redémarrer la tête de meulage.

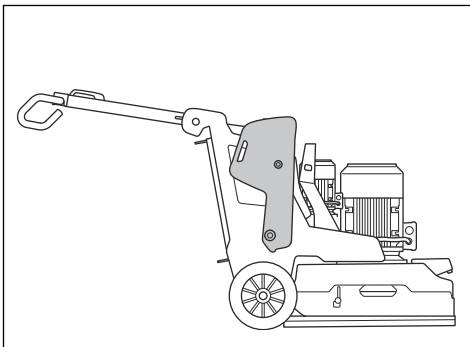
## Poids

Un poids est installé de chaque côté du produit. Si vous trouvez le produit lourd pendant son utilisation, réglez les poids pour modifier la pression appliquée sur la tête de ponçage. Les poids doivent être réglés dans la même position à gauche et à droite. Les poids peuvent être placés en 3 positions :

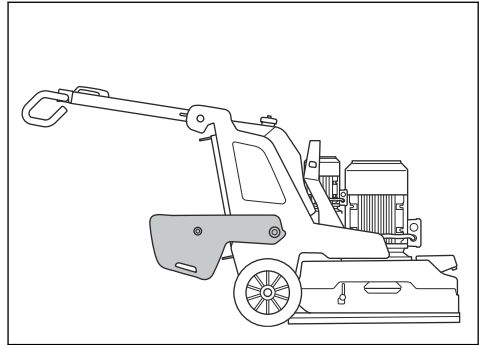
- Position 1 : pression maximale sur la tête de ponçage. Cette position améliore le fonctionnement. Cette position est également celle utilisée pour le transport du produit.



- Position 2 : pression standard sur la tête de ponçage.



- Position 3 : pression minimale sur la tête de ponçage. Cette position est également celle utilisée pour l'entretien du produit.



## Réglage des poids

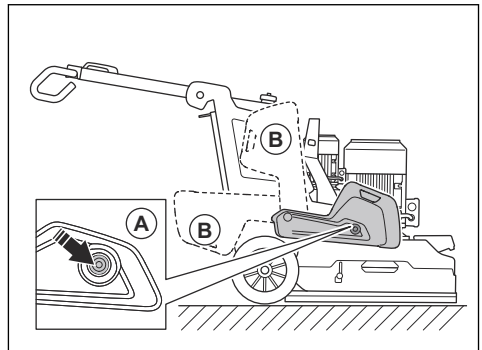


**AVERTISSEMENT:** réglez les poids avec précaution. Les pièces mobiles peuvent provoquer des blessures.



**AVERTISSEMENT:** vérifiez toujours que le verrou de poids se verrouille correctement lorsque les poids sont placés dans la position sélectionnée.

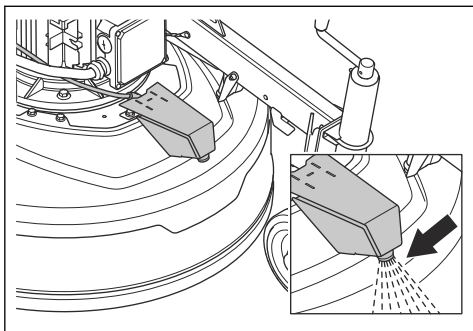
1. Poussez le verrou de poids (A) et déplacez le poids dans la position sélectionnée (B) à l'aide de la poignée de poids. Reportez-vous à *Poids à la page 75*.



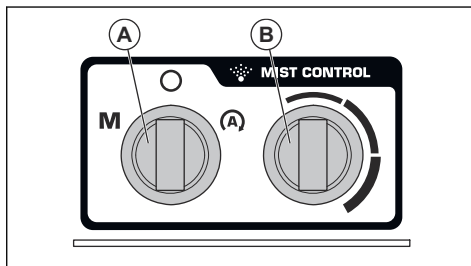
2. Libérez le verrou de poids pour verrouiller le poids dans la position sélectionnée.

## Le Mist Cooler System

Le Mist Cooler System réduit la température de l'outillage du disque de ponçage et améliore les performances du produit. Le Mist Cooler System utilise l'eau du réservoir d'eau. La buse du Mist Cooler System fournit l'eau à la surface. Le débit d'eau est réglé à l'aide d'un interrupteur situé sur la porte du boîtier. Lorsque le niveau d'eau est bas, la LED de l'interrupteur clignote en jaune.



1. Tournez l'interrupteur de commande de brumisation (A) sur la porte du boîtier pour choisir le mode de la fonction de brumisation.



**REMARQUE:** Utilisez un équipement adapté pour remplir le réservoir d'eau. Ne laissez pas de l'eau s'écouler du réservoir d'eau.

Le Mist Cooler System peut être réglé en mode manuel ou automatique. Le mode manuel est toujours actif lorsque le produit fonctionne sans la télécommande. Si la télécommande est connectée, le bouton de la télécommande lance la fonction de brumisation. Si le ponçage s'arrête, la fonction de brumisation s'arrête après 60 secondes. La fonction de brumisation en mode automatique démarre et s'arrête avec le ponçage.

### Activation de la fonction de brumisation



**REMARQUE:** Ne dirigez jamais la buse de brumisation du produit vers des composants électriques.

- Tournez l'interrupteur de commande de brumisation sur le symbole M pour choisir le mode manuel.
  - Tournez l'interrupteur de commande de brumisation sur le symbole A pour choisir le mode automatique.
2. Tournez l'interrupteur (B) pour augmenter ou diminuer le débit d'eau.

## Entretien

### Introduction



**AVERTISSEMENT:** Avant d'effectuer des travaux d'entretien, vous devez lire et comprendre le chapitre sur la sécurité.

Une formation spécifique est nécessaire pour effectuer tous les travaux d'entretien et de réparation du produit. Nous garantissons qu'il vous est possible d'obtenir des services de réparation et d'entretien effectués par des professionnels. Si votre revendeur n'est pas un atelier spécialisé, demandez-lui des informations à propos de l'atelier spécialisé le plus proche.

Pour des informations plus détaillées, reportez-vous à .

### À faire avant l'entretien

- Utilisez un équipement de protection personnelle. Reportez-vous à la section *Équipement de protection individuel* à la page 64.

- Portez une protection respiratoire homologuée. La poussière présente dans le produit est dangereuse pour la santé.
- Garez le produit sur une surface plane.
- Arrêtez le moteur et débranchez la prise de courant pour éviter tout démarrage accidentel lors de l'entretien.
- Éliminez toute trace d'huile et de saleté autour du produit. Enlevez les objets indésirables.
- Placez une signalisation claire pour informer les personnes se trouvant à proximité que des travaux d'entretien sont en cours.
- Gardez les extincteurs, le matériel médical et un téléphone de secours à proximité.

### Schéma d'entretien

\* = Entretien général effectué par l'opérateur. Les instructions ne sont pas mentionnées dans ce manuel d'utilisation.

X = Les instructions sont mentionnées dans ce manuel d'utilisation.

O = Les instructions ne sont pas mentionnées dans ce manuel d'utilisation. Faites réaliser l'entretien par un agent d'entretien agréé.

Entretien	Au quotidien	Toutes les semaines	Tous les 6 mois	Tous les 12-36 mois
Contrôlez l'interrupteur de marche/arrêt.	*			
Contrôlez les points de fixation et la fonction de verrouillage de la poignée.		*		
Contrôlez les points de fixation et la fonction de verrouillage des poids.		*		
Contrôlez le bouton d'arrêt d'urgence.	X			
Nettoyez les surfaces extérieures du produit.	X			
Nettoyez les composants internes du produit.			O	
Faites une inspection générale.	X			
Contrôlez les disques à meuler.	X			
Contrôlez le fonctionnement du système d'entraînement de la tête de meulage.		X		
Effectuez l'entretien du système d'entraînement des disques à meuler.				O
Contrôlez la connexion entre le châssis et la tête de meulage.		*		

### Pour nettoyer le produit



**REMARQUE:** une prise d'air obstruée diminue les performances du produit et peut entraîner une surchauffe du moteur.

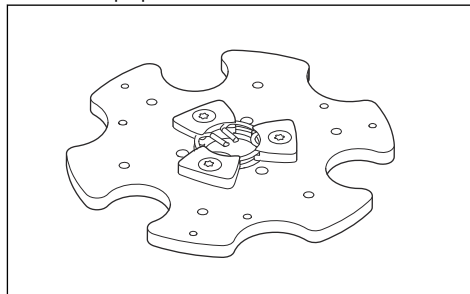
- Éliminez toute obstruction de toutes les prises d'air. Le produit doit être toujours suffisamment frais.
- Débranchez toujours la prise de courant de la prise secteur avant le nettoyage.
- N'utilisez pas de produits chimiques pour nettoyer le produit.
- Ne nettoyez pas les composants électriques avec de l'eau.
- Nettoyez toujours la totalité de l'équipement à la fin de la journée de travail.
  - a) Inclinez le produit jusqu'à ce que le guidon touche le sol.
  - b) Retirez les outils diamantés et faites fonctionner le produit pendant une courte durée à la vitesse la plus basse. Faites fonctionner le produit pour réduire la quantité de poussière sur la surface supérieure de la tête de meulage.
  - c) Nettoyez les composants sur la surface inférieure de la tête de meulage à l'aide d'un nettoyeur haute pression.



**REMARQUE:** Ne pointez pas le nettoyeur haute pression directement sur les joints ou les points d'attache.

### Pour faire une inspection générale

- Assurez-vous que le cordon d'alimentation et le câble de rallonge sont en bon état et non endommagés.
- Assurez-vous que les écrous et les vis sont serrés.
- Assurez-vous que la jupe est en bon état et sans danger pour le travail.
- Assurez-vous que le couvercle se déplace librement et qu'il est correctement positionné sur le sol.
- Assurez-vous que le verrou central de la plaque de l'outil est propre et tourne librement.



## Système d'entraînement pour la tête de meulage

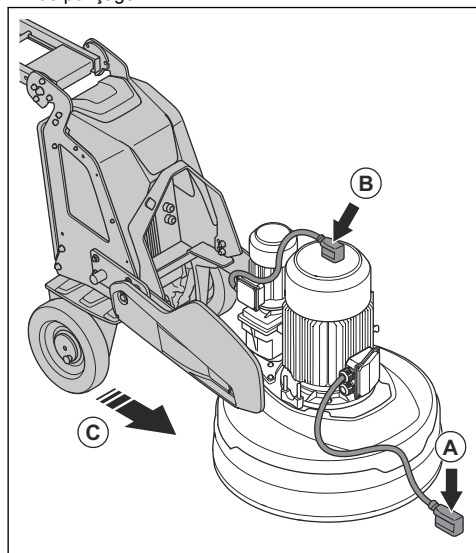
Le système d'entraînement pour la tête de meulage est un système fermé. Si vous rencontrez des problèmes avec le système d'entraînement de la tête de meulage, contactez votre agent d'entretien Husqvarna.

### Installation et dépose de la tête de ponçage



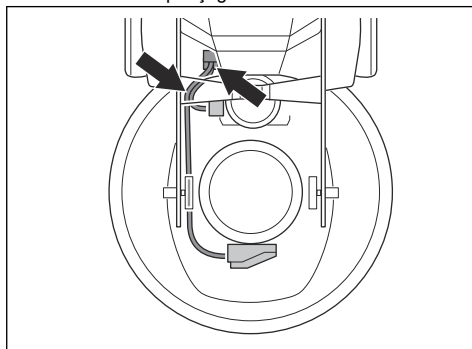
**AVERTISSEMENT:** le châssis n'est pas équilibré lorsque la tête de ponçage est déposée. Assurez-vous que le châssis ne peut pas tomber. La chute du châssis risquerait d'entraîner des blessures ou des dommages.

1. Placez le câble du moteur avant (A) devant la tête de ponçage.

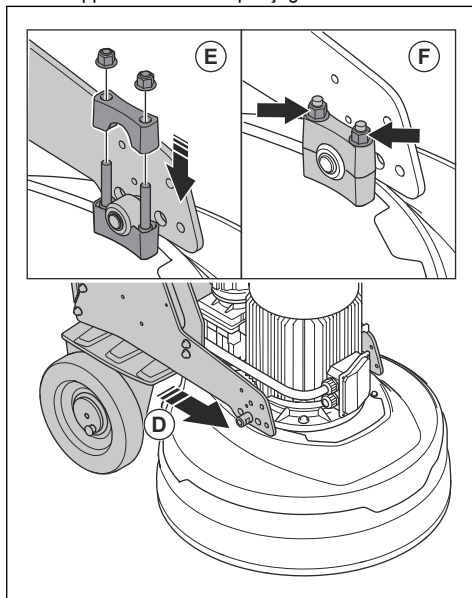


2. Placez le câble du moteur arrière (B) sur le dessus du moteur.
3. Poussez le châssis près de la tête de ponçage (C).

4. Faites passer les câbles du moteur à travers la fente entre la tête de ponçage et le châssis.

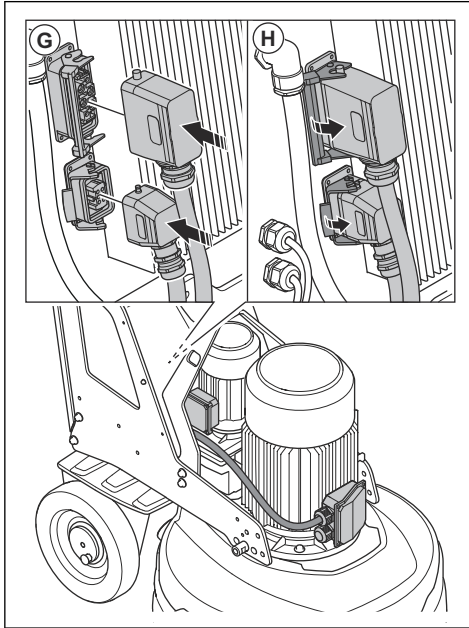


5. Poussez le châssis complètement contre la tête de ponçage (D). Assurez-vous que le châssis est fixé au support de la tête de ponçage.



6. Installez le deuxième support (E) sur le dessus du support de la tête de ponçage.
7. Serrez les 2 écrous (F) de chaque côté de la tête de ponçage.

8. Branchez les câbles du moteur aux prises électriques (G) du boîtier électrique.



9. Verrouillez les câbles du moteur en place sur les prises électriques (H) du boîtier électrique.

10. Déposez la tête de ponçage en effectuant les mêmes étapes dans l'ordre inverse.

## Recherche de pannes

Problème	Cause	Solution
Le produit ne démarre pas.	La rallonge est débranchée ou endommagée.	Branchez la rallonge ou, si nécessaire, remplacez-la.
	Un bouton d'arrêt d'urgence est actionné.	Tournez le bouton d'arrêt d'urgence sur le panneau de commande dans le sens des aiguilles d'une montre pour le désengager.
	L'interrupteur de sécurité est ouvert dans le boîtier électrique.	Fermez l'interrupteur de sécurité pour compléter le circuit.

<b>Problème</b>	<b>Cause</b>	<b>Solution</b>
Difficulté à tenir le produit.	Il n'y a pas assez d'outils diamantés installés sur le produit.	Augmentez le nombre d'outils diamantés pour diminuer la charge sur le produit et sur l'utilisateur.
	Le moteur d'entraînement de meulage ne fonctionne pas.	Assurez-vous que le moteur d'entraînement de meulage est connecté.
	Cela peut être dû à un défaut dans le moteur ou un défaut dans le câble du moteur.	Si le problème persiste, contactez un agent d'entretien agréé.
	La courroie est rompue.	Si la courroie est rompue, faites-la remplacer dans un centre d'entretien.  Faites tourner un des disques à meuler manuellement. Si l'ensemble des disques à meuler tourne ensemble, alors la courroie n'est pas endommagée. Si un disque à meuler tourne librement, alors la courroie est rompue.
	Seule une phase est affichée sur le produit. Le produit ne recevra pas de code d'erreur et utilisera <1 A du courant du moteur. Le ventilateur tourne lentement.	Contrôlez l'alimentation électrique.
	La capacité du produit est surchargée par la surface ou l'utilisation.	Ajustez la vitesse du moteur et/ou la vitesse d'avance du produit sur le sol.
Le produit crée des rayures irrégulières.	Les outils diamantés sont mal fixés ou fixés à des hauteurs différentes sur les disques de ponçage.	Assurez-vous que tous les outils diamantés sont correctement installés et que tous sont à la même hauteur.
	Les outils diamantés sont de différents types.	Assurez-vous que tous les segments ont le même grain et le même liant diamantés. Si les segments en diamant sont rugueux, espacez-les de manière égale. Utilisez le produit sur une surface abrasive jusqu'à ce que tous les segments aient la même hauteur.
	Les vis sont desserrées ou manquantes.	Assurez-vous que toutes les vis sont en position et bien serrées.
	Les outils en résine sont mélangés ou présentent une contamination indésirable.	Assurez-vous que tous les outils en résine ont le même grain et le même liant diamantés et qu'ils ne présentent aucune contamination. Pour nettoyer les outils en résine, utilisez-les pendant une courte durée sur une surface légèrement abrasive.
	Les disques de ponçage sont usés ou endommagés.	Vérifiez que les disques de ponçage ne sont pas cassés et qu'ils n'effectuent pas de mouvements excessifs.
Le produit effectue des mouvements soudains et indésirables.	Les disques de ponçage sont usés ou endommagés.	Vérifiez que les disques de ponçage ne présentent pas de parties endommagées et qu'ils n'effectuent pas de mouvements excessifs.
	Les outils diamantés sont mal fixés ou fixés à des hauteurs différentes sur les disques de ponçage.	Assurez-vous que tous les outils diamantés sont correctement installés et que tous sont à la même hauteur.



Problème	Cause	Solution
Le disjoncteur interne se déclenche.	Charge trop importante ou alimentation électrique insuffisante.	Contrôlez l'alimentation électrique.
		Diminuez la pression de ponçage, augmentez le nombre d'outils diamantés ou augmentez la dureté du liant.
Il n'y a pas de débit d'eau ou le débit n'est pas suffisant.	Le réservoir d'eau est vide.	Remplissez le réservoir d'eau.
	Il y a de la poussière au niveau de la buse.	Débranchez le tuyau d'alimentation et nettoyez la buse.
	Le système d'eau est obstrué.	Débranchez le tuyau d'alimentation et rincez le réservoir d'eau jusqu'à ce que vous puissiez voir l'eau propre.

## Transport, entreposage et mise au rebut

### Transport



**AVERTISSEMENT:** soyez prudent lors du transport. Le produit est lourd et peut provoquer des blessures ou être endommagé en cas de chute ou de déplacement lors du transport.

Les roues vous permettent de déplacer le produit sur de courtes distances. Pour de longues distances, soulevez le produit pour le déplacer ou le placer sur un véhicule.



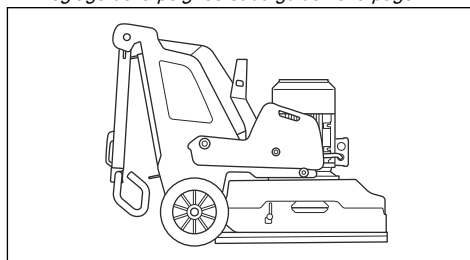
**REMARQUE:** ne remorquez pas le produit derrière un véhicule.

- Soyez prudent lorsque vous déplacez le produit manuellement ou sur des surfaces en pente. Des pentes légères peuvent causer un déplacement rapide impossible à arrêter à la main.
- Fixez fermement le produit pendant le transport. Assurez-vous qu'il ne peut pas bouger.
- Placez une protection sur le produit pendant le transport. La protection permet que le produit n'entre pas en contact avec des éléments naturels, comme la pluie et la neige.
- Utilisez toujours l'anneau de levage du produit lorsque vous soulevez le produit.
- Ne soulevez pas le produit à l'aide du guidon, du moteur, du châssis ou de toute autre pièce.
- Il est recommandé d'utiliser une palette pour le transport.
- Soulevez toujours le produit à l'aide d'un monte-charge ou d'un chariot à fourches.
- N'utilisez pas de chariot à fourches si le produit n'est pas placé sur une palette ou un chariot. Cela peut endommager les disques à meuler de la machine et d'autres composants internes.

- Lors du transport, la tête de meulage doit se trouver au sol. Pour éviter d'endommager le mécanisme de verrouillage des plaques de l'outil, laissez les plaques de l'outil en place.

### Pour régler le produit en position de transport

- Soulevez et tournez le couvercle pour le verrouiller. Cela protège la jupe des dommages pendant le transport.
- Rabattez la poignée vers le bas. Reportez-vous à *Réglage de la poignée et du guidon à la page 72.*



- Si les poids sont fixés au produit, réglez-les en position vers l'avant. Reportez-vous à *Réglage des poids à la page 75.*
- Assurez-vous que la tête de ponçage touche la surface.

### Montée et descente du produit avec une rampe



**AVERTISSEMENT:** Soyez très prudent lorsque vous faites monter et descendre le produit sur les rampes alors que le moteur est en marche. Le produit est lourd et il y a un risque de blessure

si le produit tombe ou se déplace trop rapidement.



**AVERTISSEMENT:** Pour les rampes à pente raide, utilisez toujours un treuil. Ne marchez pas et ne restez pas sous le produit. Ne restez pas dans la zone de risque du produit. Reportez-vous à la section *Sécurité dans l'espace de travail* à la page 64.



**AVERTISSEMENT:** Ne déplacez pas le produit dans des pentes raides. Reportez-vous à la plaque signalétique du produit pour plus d'informations sur l'angle de pente maximal.

- Pour faire descendre le produit d'une rampe, déplacez-le lentement vers l'arrière.
- Pour faire monter le produit sur une rampe, déplacez-le lentement vers l'avant.
- Ne faites pas pivoter le produit à plus de 45° sur une rampe.

## Pour lever le produit



**AVERTISSEMENT:** assurez-vous que l'équipement de levage présente la bonne spécification afin de soulever le produit en toute sécurité. La plaque signalétique du produit indique le poids du produit.



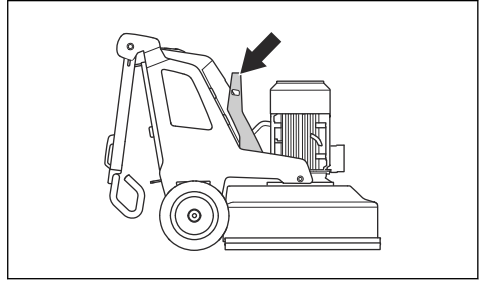
**AVERTISSEMENT:** ne marchez pas sur un produit soulevé et ne restez en dessous ou à proximité. Éloignez les personnes présentes de la zone à risque. Reportez-vous à la section *Sécurité dans l'espace de travail* à la page 64.



**AVERTISSEMENT:** ne soulevez pas un produit endommagé. Vérifiez que le boulon de levage est bien fixé et en bon état.

1. Réglez le produit en position de transport. Reportez-vous à la section *Pour régler le produit en position de transport* à la page 81.

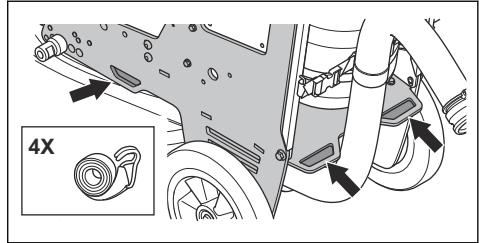
2. Fixez l'équipement de levage au niveau de l'anneau de levage.



## Fixation du produit pour le transport

Le produit est doté de points d'arrimage permettant de faire passer des sangles d'arrimage afin de le fixer sur le véhicule de transport.

1. Fixez les crochets métalliques des sangles d'arrimage aux points d'arrimage. Attention, les bords tranchants peuvent endommager les sangles.



2. Fixez les sangles d'arrimage sur le véhicule et serrez-les.

## Remisage



**REMARQUE:** N'entreposez pas le produit à l'extérieur. Gardez toujours le produit à l'intérieur.

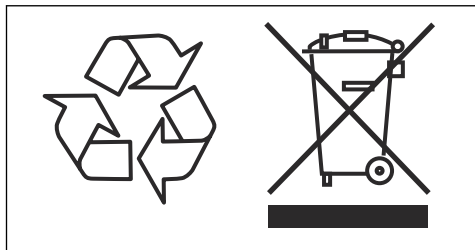
- Conservez le produit dans un endroit sec et à l'abri du gel.
- Nettoyez le produit et effectuez un entretien complet avant de remiser le produit.
- Maintenez la tête de meulage au sol.
- Conservez le produit dans un endroit verrouillé afin que des enfants ou personnes qui ne sont pas autorisées à l'utiliser ne puissent pas y avoir accès.

## Mise au rebut

Les symboles figurant sur le produit ou l'emballage indiquent que ce produit ne peut pas être traité comme un déchet domestique ordinaire. Il doit être déposé

dans un site de recyclage prévu pour la récupération d'équipements électriques et électroniques.

En prenant soin correctement de ce produit, vous contribuez à compenser l'éventuel effet négatif sur l'environnement et les personnes, qui autrement pourrait être engendré par la mauvaise gestion de la mise au rebut du produit. Pour obtenir de plus amples informations sur le recyclage de ce produit, contactez votre municipalité, votre service des ordures ménagères ou le magasin où vous avez acheté ce produit.



## Caractéristiques techniques

### Caractéristiques techniques

	<b>PG 8 D</b> <b>3x380-415 V</b>
Puissance du moteur, kW/hp	11/15
Intensité nominale, A	30
Tension nominale, V	380-415
Phases	triphase
Fréquence, Hz	50-60
Poids kg/lb	497/1096
Largeur de ponçage, mm/po.	800/31,5
Disque à meuler, mm/po	3 x 270/10,5
Pression de ponçage, kg/lb	238/524
Pression de ponçage avec roue de support, kg/lb	255/561
Poids en position 1 (vers l'avant), kg/lb	298/656
Poids en position 1 (vers l'avant) avec roue de support, kg/lb	315/693
Poids en position 2 (verticale), kg/lb	249/548
Poids en position 2 (verticale) avec roue de support, kg/lb	266/585
Poids en position 3 (vers l'arrière), kg/lb	195/429
Poids en position 3 (vers l'arrière) avec roue de support, kg/lb	212/466
Vitesse du disque à meuler, régime min./max.	421-1403
Vitesse de la tête de ponçage, régime min./max.	28-92
Sens de rotation (de haut en bas)	Tête de meulage : dans le sens des aiguilles d'une montre  Disque à meuler : dans le sens contraire des aiguilles d'une montre
Inclinaison max., degrés °	10
Boîtier, IP	54
<b>Extracteur de poussière recommandé <sup>9</sup></b>	
Accessoire pour l'aspirateur industriel, mm/po	76/3
Débit d'air min., m <sup>3</sup> /h /CFM	815/480

<sup>9</sup> Les caractéristiques techniques des aspirateurs industriels ne fournissent pas de comparaison entre les performances réelles sur la durée des différents modèles d'aspirateurs industriels. Pour les produits Husqvarna, OSHA vous trouverez des données objectives sur [www.husqvarnaccp.com/us](http://www.husqvarnaccp.com/us).

	<b>PG 8 D</b>
	<b>3x380-415 V</b>
Dépression min., kPa/psi	30/4,4

## Niveaux sonores

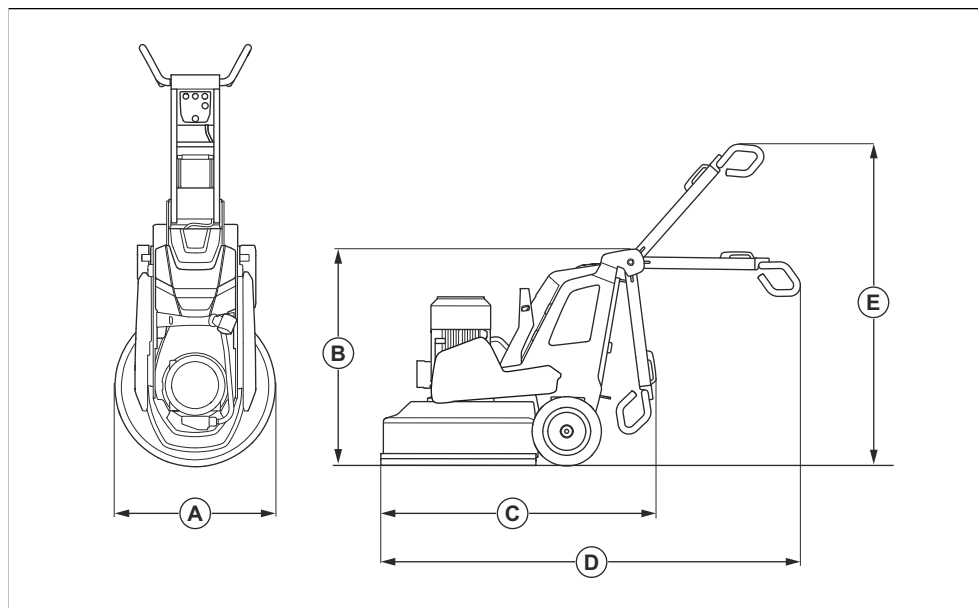
<b>Émissions sonores</b> <sup>10</sup>	
Niveau de puissance acoustique mesuré $L_W$ (dB(A))	95,4
<b>Niveaux sonores</b> <sup>11</sup>	
Niveau de pression sonore à l'oreille des opérateurs, $L_p$ , (dB (A))	78,7
<b>Niveaux de vibrations</b> <sup>12</sup>	
Poignée droite, $m/s^2$	1,7
Poignée gauche, $m/s^2$	1,5

<sup>10</sup> Émissions sonores dans l'environnement mesurées en tant que puissance acoustique conformément à la norme EN 60335-2-72. Mesure d'incertitude attendue : 2,5 dB(A).

<sup>11</sup> Niveau de pression sonore conformément à la norme EN 60335-2-72. Mesure d'incertitude attendue : 4 dB(A).

<sup>12</sup> Niveau de vibrations conforme aux normes EN 60335-1 et EN 60335-2-72. Les données reportées pour le niveau de vibrations montrent une dispersion statistique typique (déviations standard) de 1  $m/s^2$ . Les valeurs de vibrations sont valables pour le fonctionnement manuel.

## Dimensions du produit



<b>A</b>	Largeur, mm/po	830/32,7
<b>B</b>	Hauteur totale min. (poignée repliée), mm/po	1145/45,1
<b>C</b>	Longueur totale min. (poignées repliées), mm/po	1550/61
<b>D</b>	Longueur totale max. (poignées déployées), mm/po	2215/87,2
<b>E</b>	Hauteur totale max. (poignées déployées), mm/po	1700/66,9

# Déclaration de conformité

## Déclaration de conformité UE

Nous, Husqvarna AB, SE-561 82 Huskvarna, Suède,  
tél. : +46 36 146500, déclarons sous notre entière  
responsabilité que le produit :

Description	Ponceuse de sol
Marque	HUSQVARNA
Type/Modèle	PG 8 D
Identification	Numéros de série à partir de 2024 et ultérieurs

est entièrement conforme à la réglementation et aux  
directives de l'UE suivantes :

Directive/Réglementation	Description
2006/42/EC	« relative aux machines »
2014/30/EU	« relative à la compatibilité électromagnétique »
2011/65/EU	« relative à la limitation de l'utilisation de certaines substances dangereuses »

et que les normes et/ou les spécifications techniques  
suivantes sont appliquées :

EN ISO 11201:2010

EN 60335-2-72:2012

EN 61000-3-2:2014

EN IEC 61000-3-2:2019+A1:2021

EN 61000-3-3:2013+A1:2019+ A2:2021

EN 61000-6-2:2005/AC:2005

EN IEC 61000-6-2:2019

EN 61000-6-4:2007+A1:2011

EN IEC 61000-6-4:2019

Partille, 2024-05-24

Husqvarna AB, division Construction

Responsable de la documentation technique



A handwritten signature in black ink, appearing to read 'Martin Huber', with a long horizontal stroke extending to the right.

Martin Huber

Directeur R&D, surfaces et sols en béton

---

## Inhoud

---

Inleiding.....	88	Probleemoplossing.....	107
Veiligheid.....	92	Vervoer, opslag en verwerking.....	109
Werking.....	96	Technische gegevens.....	112
Onderhoud.....	105	Verklaring van overeenstemming.....	115

---

## Inleiding

---

### Productbeschrijving

Het product is een vloerslijpmachine voor oppervlakken van verschillende hardheid.

### Gebruik

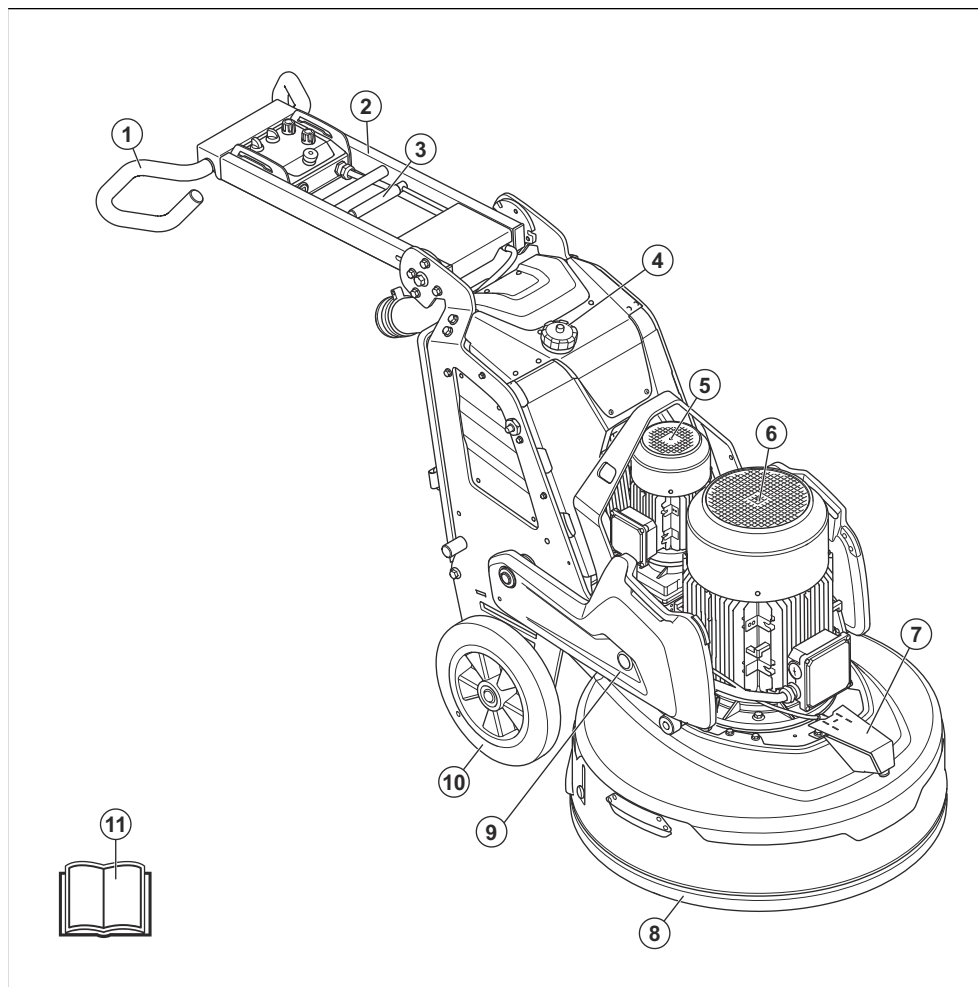
Het product wordt gebruikt voor het slijpen van oppervlakken van materialen met verschillende

hardheid, zoals natuursteen, terazzo en beton. Het product kan ook worden gebruikt voor het slijpen van dekmaterialen zoals epoxy en lijm. De afwerking van het oppervlak kan ruw of glad zijn. Het product kan worden gebruikt voor zowel droog als nat slijpen. Gebruik het product niet voor andere taken.

Het product wordt voor commerciële toepassingen gebruikt door professionele gebruikers.

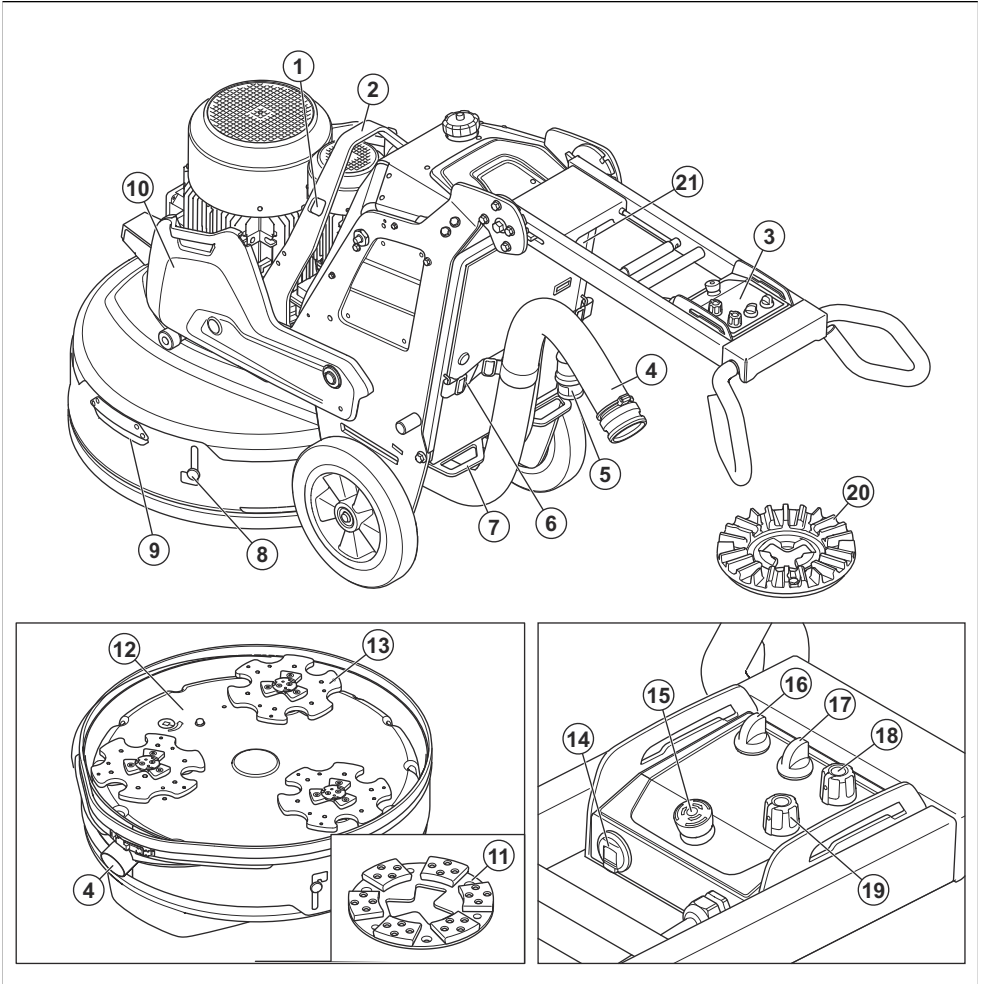


## Productoverzicht, rechterzijde



- |   |                           |
|---|---------------------------|
| 1. Stuur  | 7. Vernevelaarkop         |
| 2. Handgreep                                    | 8. Zwevende afdekking     |
| 3. Vergrendelingshendel voor verstelbare hendel | 9. Gewichten              |
| 4. Watertank                                    | 10. Wiel                  |
| 5. Motor van schuurkop                          | 11. Bedieningshandleiding |
| 6. Motor van schuurschijf                       |                           |

## Productoverzicht, linkerzijde



- |   |   |
|---|---|
| 1. Gaten voor lierbanden                              | 12. Schuurkop   |
| 2. Hijssoog   | 13. Schuurschijf  |
| 3. Bedieningspaneel                                   | 14. USB-oplader   |
| 4. Aansluiting voor stofzuiger                        | 15. Noodstopknop  |
| 5. Snoer  | 16. ON/OFF-schakelaar                                       |
| 6. Ophangvoorziening voor stofzuiger en voedingskabel | 17. STOP/RUN-schakelaar                                     |
| 7. Spanpunt   | 18. Knop voor de draairichting en snelheid van de schuurkop |
| 8. Transportvergrendeling van de zwevende afdekking   | 19. Knop voor de draairichting en snelheid van de schuurkop |
| 9. Handgreep van de zwevende afdekking                | 20. EZ Airflow-gereedschapsplaat                            |
| 10. Gewichten   | 21. Schakelaars nevfunctie                                  |
| 11. Schijfplaat                                       |   |

## Symbolen op het product



**WAARSCHUWING:** Dit product kan gevaarlijk zijn en ernstig of fataal letsel toebrengen aan de gebruiker of anderen. Wees voorzichtig en gebruik het product op de juiste manier.



Lees de handleiding goed door en zorg dat u de instructies hebt begrepen voordat u het product gebruikt.



Gebruik gehoorbescherming, oogbescherming en ademhalingsbescherming. Zie *Persoonlijke beschermingsuitrusting op pagina 93*.



Het stof kan gezondheidsproblemen veroorzaken. Gebruik goedgekeurde ademhalingsbescherming. Zorg voor goede ventilatie.



Til het product altijd op aan het hijs oog.



Gebruik de gaten voor spanbanden om het product aan een transportvoertuig te bevestigen.



Het product mag niet worden verwerkt als huishoudelijk afval. Lever het in bij een erkende verwijderingslocatie voor elektrische en elektronische apparatuur.



Dit product voldoet aan de geldende EU-richtlijnen.



Dit product voldoet aan geldende VK-regelgeving.



Het product voldoet aan de geldende richtlijnen van de Euraziatische Douane-unie.



Chinees RoHS-symbool voor milieuvriendelijke gebruiksperiode (Environment-Friendly Use Period, EUFP).



Label met geluidsemissies naar de omgeving conform de richtlijnen en voorschriften van de EU en het VK. Het gegarandeerde geluidsvermogensniveau van het product staat vermeld in *Technische gegevens op pagina 112* en op het label.

**Let op:** Overige op het product aangebrachte symbolen/plaatjes verwijzen naar specifieke eisen aan certificering voor bepaalde markten.

## Symbolen op het bedieningspaneel



Noodstop.



Product ingeschakeld en product resetten.

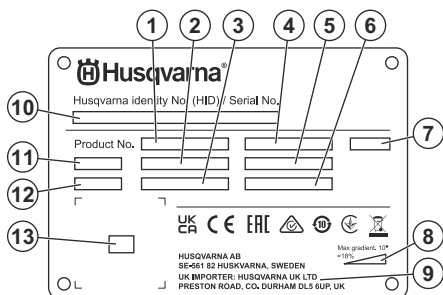


Slijpkop ingeschakeld.



Toerental en rotatierichting van de slijpschijf.

## Productplaatje



1. Productnummer
2. Gewicht van het product
3. Nominaal vermogen
4. Nominale spanning
5. Nominale stroom
6. Frequentie
7. Behuizing
8. Maximale hellingshoek
9. Fabrikant/importeur
10. Serienummer
11. Model
12. Bouwjaar

## Schade aan het product

We zijn niet verantwoordelijk voor schade aan ons product als:

- het product niet goed is gerepareerd.
- het product is gerepareerd met onderdelen die niet van de fabrikant afkomstig zijn, of onderdelen die niet zijn goedgekeurd door de fabrikant.
- het product een accessoire bevat dat niet afkomstig is van de fabrikant of niet is goedgekeurd door de fabrikant.
- het product niet is gerepareerd door een erkend servicepunt of door een erkende autoriteit.

## Husqvarna Fleet Services™

Husqvarna Fleet Services™ is een cloudoplossing die de gebruiker een overzicht geeft van alle verbonden producten. Op dit product kan een Husqvarna Fleet Services™-sensor worden geïnstalleerd. De Husqvarna Fleet Services™-sensor verzamelt gegevens over het product en maakt verbinding met het Husqvarna Fleet Services™-systeem mogelijk. Het Husqvarna Fleet Services™-systeem meldt gegevens zoals gebruikstijd, onderhoudsintervallen en locatie van het product.

Voor meer informatie over Husqvarna Fleet Services™: download de Husqvarna Fleet Services™-app of neem contact op met uw Husqvarna-vertegenwoordiger.

---

## Veiligheid

---

### Veiligheidsdefinities

Waarschuwingen, voorzorgsmaatregelen en opmerkingen worden gebruikt om te wijzen op belangrijke delen van de handleiding.



**WAARSCHUWING:** Wordt gebruikt om te wijzen op de kans op ernstig of fataal letsel voor de gebruiker of omstanders wanneer de instructies in de handleiding niet worden gevolgd.



**OPGELET:** Wordt gebruikt indien er een risico bestaat op schade aan het product en andere eigendommen of aan de omgeving wanneer de instructies in de handleiding niet worden gevolgd.

**Let op:** Geven verdere informatie die nodig is in een bepaalde situatie.

### Algemene veiligheidsinstructies



**WAARSCHUWING:** Lees de volgende waarschuwingen voordat u het product gaat gebruiken.

- Dit product kan bij onvoorzichtig of onjuist gebruik een gevaarlijk gereedschap zijn. Dit product kan ernstig of fataal letsel toebrengen aan de gebruiker of anderen. Het is erg belangrijk dat u deze gebruiksaanwijzing leest en begrijpt voordat u dit product gaat gebruiken.
- Dit product mag niet worden gebruikt door personen (inclusief kinderen) met een lichamelijke, zintuiglijke of geestelijke beperking of gebrek aan ervaring en kennis.
- Bewaar alle waarschuwingen en instructies.

- U dient alle toepasselijke wet- en regelgeving in acht te nemen.
- De gebruiker en de werkgever van de gebruiker dienen op te hoogte te zijn van de risico's tijdens het gebruik van het product en moeten deze voorkomen.
- Zorg ervoor dat dit product alleen wordt gebruikt door personen die de inhoud van de gebruikershandleiding hebben gelezen en begrepen.
- Gebruik het product alleen als u voorafgaand aan gebruik training hebt ontvangen. Zorg ervoor dat alle gebruikers getraind worden.
- Laat het product niet door een kind bedienen.
- Het product mag alleen worden gebruikt door goedgekeurde personen.
- De gebruiker is verantwoordelijk indien ongelukken gebeuren met andere mensen of hun eigendommen.
- Gebruik het product nooit als u moe of ziek bent, of onder invloed van alcohol, drugs of medicijnen verkeert.
- Wees altijd voorzichtig en gebruik uw gezond verstand.
- Dit product produceert tijdens bedrijf een elektromagnetisch veld. Dit veld kan onder bepaalde omstandigheden de werking van actieve of passieve medische implantaten verstoren. Om het risico op ernstig of fataal letsel te verminderen, raden we personen met een medisch implantaat aan om contact op te nemen met hun arts en de fabrikant van het medische implantaat voordat ze dit product gebruiken.
- Houd het product schoon. Zorg ervoor dat u de aanduidingen en stickers duidelijk kunt lezen.
- Gebruik het product niet als het beschadigd is.
- Breng geen wijzigingen aan dit product aan.
- Gebruik het product niet als de mogelijkheid bestaat dat andere personen wijzigingen aan het product hebben aangebracht.

## Veiligheidsinstructies voor bediening



**WAARSCHUWING:** Lees de volgende waarschuwingen voordat u het product gaat gebruiken.

- Maak altijd gebruik van persoonlijke beschermingsmiddelen. Zie *Persoonlijke beschermingsuitrusting op pagina 93*.
- Blijf in de buurt van het product wanneer de motor is ingeschakeld.
- Haal altijd de stekker uit het stopcontact voordat u apparaat onbeheerd achterlaat.
- Trek niet aan de slang van de stofzuiger. Het product kan vallen en letsel of schade veroorzaken.
- De slijpkop moet het oppervlak raken wanneer u het product start. Dit is niet van toepassing als u de AAN/UIT-schakelaar controleert.
- Start het product niet zonder dat de stofmantel is gemonteerd. De stofmantel moet volledig zijn afgedicht tussen het product en de vloer.
- Blijf uit de buurt van plekken waar het product letsel kan veroorzaken. Het product kan snel van positie veranderen en u raken.
- Zet de motor onmiddellijk stop als het product niet correct werkt.
- Zorg ervoor dat er geen kleding, lang haar en juwelen vast komen te zitten in bewegende delen.
- Zorg ervoor dat u stabiel en veilig staat tijdens het gebruik.
- Gebruik het product alleen als u weet dat u hulp kunt krijgen indien zich een ongeval voordoet.
- Als er trillingen optreden in het product of als het geluidsniveau van het product ongewoon hoog is, dient u het product onmiddellijk te stoppen. Controleer het product op schade. Repareer schade of laat een erkende servicewerkplaats de reparatie uitvoeren.
- Overmatige blootstelling aan trillingen kan bloedvaten zenuwbeschadigingen veroorzaken bij personen met een verminderde bloedcirculatie. Consulteer een arts wanneer u symptomen heeft die wijzen op te grote blootstelling aan trillingen. Dergelijke symptomen zijn slapende vingers e.d., geen gevoel, "kriebelend" gevoel, "speldenprikken", pijn, geen of weinig kracht, huidverkleuringen of veranderingen van het huidoppervlak. Deze symptomen worden meestal waargenomen in de vingers, handen of polsen.
- Parkeer de machine niet op een helling. Als u het product op een helling moet parkeren, zorg er dan voor dat het niet kan bewegen of vallen. Er bestaat gevaar voor letsel en schade.
- Wees extra voorzichtig bij het werken op hellingen. Dit product is zwaar en kan ernstig letsel veroorzaken als het valt.

- Werk niet met het product op steile hellingen. Kijk op het productplaatje voor informatie over de maximale hellingshoek.
- Gebruik altijd goedgekeurde accessoires. Neem voor meer informatie contact op met uw dealer.

## Persoonlijke beschermingsuitrusting



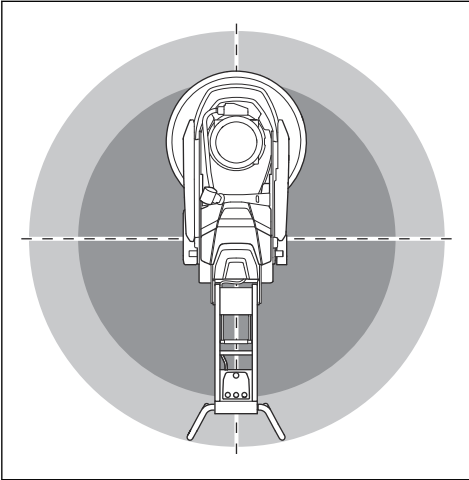
**WAARSCHUWING:** Lees de volgende waarschuwingen voordat u het product gaat gebruiken.

- Gebruik altijd de juiste persoonlijke beschermingsmiddelen wanneer u het product gebruikt. De persoonlijke beschermingsmiddelen nemen het risico op letsel niet weg. De persoonlijke beschermingsmiddelen verlagen de ernst van het letsel indien zich een ongeval voordoet. Vraag uw dealer u te helpen bij het kiezen van de juiste beschermingsmiddelen.
- Gebruik goedgekeurde oogbescherming wanneer u het product gebruikt.
- Draag geen losse, zware en ongeschikte kleding. Draag kleren waarin u zich vrij kunt bewegen.
- Draag goedgekeurde veiligheidshandschoenen voor een stevige greep.
- Draag rubberen veiligheidshandschoenen om huidirritatie als gevolg van nat beton te voorkomen.
- Draag een goedgekeurde veiligheidshelm.
- Gebruik altijd goedgekeurde gehoorbescherming wanneer u het product gebruikt. Langdurig lawaai kan gehoorverlies veroorzaken.
- Het product veroorzaakt stof en dampen die gevaarlijke chemicaliën bevatten. Gebruik goedgekeurde ademhalingsbescherming.
- Gebruik laarzen met een stalen neus en antislipzool.
- Zorg ervoor dat u een EHBO-kit bij de hand hebt.
- Er kunnen vonken optreden bij de bediening van de machine. Zorg ervoor dat u een brandblusser bij de hand hebt.

## Veiligheid van het werkgebied

- Houd tijdens het gebruik omstanders uit de buurt van het gebied dat in de onderstaande afbeelding wordt

weergegeven. De gebruiker moet tijdens het gebruik zeer voorzichtig zijn in dit gebied.



- Zorg ervoor dat er alleen goedgekeurde personen in het werkgebied zijn.
- Gebruik het product niet bij mist, regen, harde wind, koud weer, risico op blikseminslag of andere slechte weersomstandigheden. Het gebruik van het product bij slecht weer of op natte plekken kan uw alertheid negatief beïnvloeden. Slecht weer kan voor gevaarlijke werkomstandigheden zorgen.
- Kijk uit voor personen, objecten en situaties die een veilig gebruik van het product kunnen verhinderen.
- Zorg voor voldoende verlichting in het werkgebied.
- Gebruik het product niet in gebieden waar brand of explosies kunnen optreden.

## Elektrische veiligheid



**WAARSCHUWING:** Er is altijd kans op schokken van elektrische producten. Gebruik het product niet bij slecht weer. Raak geen bliksemafleiders en metalen voorwerpen aan. Gebruik het product altijd zoals in deze bedieningshandleiding wordt beschreven om letsel te voorkomen.



**WAARSCHUWING:** Gebruik altijd een voeding met aardlekschakelaar. Een aardlekschakelaar vermindert de kans op een elektrische schok.



**WAARSCHUWING:** Hoogspanning. Er bevinden zich onbeschermde onderdelen

in de voedingseenheid. Haal altijd de stekker uit het stopcontact voordat u de deur van het regelkastje opent.



**OPGELET:** De voeding van het product of de generator moet krachtig genoeg en constant zijn om de motor probleemloos te kunnen laten werken. Een onjuiste spanning heeft tot gevolg dat het stroomverbruik en de temperatuur van de motor toenemen totdat het veiligheidscircuit wordt geactiveerd. De specificaties van de voedingskabel moeten overeenstemmen met de nationale en lokale voorschriften. De specificaties van het stopcontact moeten overeenstemmen met de stroomsterkte voor het stopcontact en de verlengkabel van het product.

Als het elektriciteitsnet een hogere systeemweerstand heeft, kan er kort spanningsverlies optreden wanneer het product wordt gestart. Dit kan invloed hebben op de werking van andere producten en bijvoorbeeld flikkerende lichten veroorzaken.

- Controleer of de spanning van het elektriciteitsnet en de zekering overeenkomt met de spanning die wordt aangegeven op het productplaatje van het product.
- Stop het product altijd voordat u de stekker uit het stopcontact haalt.
- Gebruik het product niet als de voedingskabel of de stekker beschadigd is. Brengt het ter reparatie naar een erkend servicepunt. Een beschadigde voedingskabel kan ernstig letsel en de dood veroorzaken.
- Gebruik de voedingskabel op de juiste manier. Gebruik de voedingskabel niet om het product te verplaatsen, te trekken of los te koppelen. Trek aan de stekker om de voedingskabel los te koppelen. Trek niet aan de voedingskabel.
- Gebruik het product niet in water met een zodanige diepte dat het product nat wordt. De apparatuur kan beschadigd raken en het product kan onder stroom komen te staan en letsel veroorzaken.
- Zorg ervoor dat er geen ander vocht in het product komt dan water dat afkomstig is van het waterleidingnet. Stel het product niet bloot aan regen. Water dat het product binnendringt, verhoogt het risico op elektrische schokken.
- Verwijder de voedingskabel altijd voordat u de verbinding voor de motorkabel en de controlekast aansluit of loskoppelt.
- Richt het nevelmondstuk van het product niet op elektrische kabels of elektrische componenten.

## Richtwaarden voor stroombron

Nominale spanning van stroombron, V	Min. spanning bij het product, V	Max. spanning bij het product, V	Frequentie, Hz	Nominale stroom, A	Motorvermogen	Min. kabeloppervlak mm <sup>2</sup> /AWG	Max. kabellengte m/ft
3x220	200	240	50/60	50	11+1,5	10/7	55/180
3x400/440/480	380	480	50/60	30	11+1,5	6/9	55/180
3x220	200	240	50/60	50	11+1,5	10/7	55/180
3x400/440/480	380	480	50/60	30	15+1,5	6/9	55/180

### Instructies voor geaard product



**WAARSCHUWING:** Een verkeerde aansluiting kan leiden tot elektrische schokken. Raadpleeg een erkende elektricien als u niet zeker weet of de contactdoos van het elektriciteitsnet correct geaard is.

Breng geen wijzigingen aan de stekker aan ten opzichte van de fabrieksspecificatie. Als de stekker of de voedingskabel beschadigd is of moet worden vervangen, raadpleeg dan uw Husqvarna-servicewerkplaats. Volg de lokale regel- en wetgeving.

Neem contact op met een erkende elektricien als u de instructies over het geaarde product niet volledig begrijpt.

Gebruik alleen geaarde verlengkabels voor buitengebruik met geaarde stekkers en geaarde contactdozen die geschikt zijn voor de stekker van het product.

Het product heeft een geaarde voedingskabel en een geaarde stekker. Sluit het product altijd aan op een geaard stopcontact. Dit vermindert de kans op een elektrische schok.

Gebruik geen adapters in combinatie met het product.

### Verlengkabels

- Gebruik alleen goedgekeurde verlengkabels met voldoende lengte.
- De markering op de verlengkabel moet gelijk zijn aan of hoger zijn dan de waarde op het productplaatje van het product.
- Gebruik geaarde verlengkabels.
- Gebruik een verlengkabel die geschikt is voor gebruik buitenshuis wanneer u buiten werkt met het product. Dit vermindert de kans op een elektrische schok.

- Houd de aansluiting op de verlengkabel droog en zorg dat deze de grond niet raakt.
- Houd de verlengkabel uit de buurt van hitte, olie, scherpe randen en bewegende delen. Een beschadigde kabel verhoogt het risico op elektrische schokken.
- Controleer of de verlengkabel in goede staat verkeert en niet beschadigd is.
- Gebruik de verlengkabel niet in opgerolde toestand. Daardoor kan de kabel oververhit raken.
- Zorg ervoor dat de verlengkabel achter u en het product ligt wanneer u het product gebruikt. Zo voorkomt u dat de verlengkabel beschadigd raakt.

### Veiligheidsvoorzieningen op het product

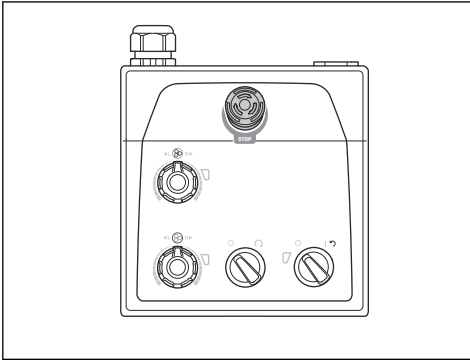


**WAARSCHUWING:** Lees de volgende waarschuwingen voordat u het product gaat gebruiken.

- Gebruik geen producten met veiligheidsvoorzieningen die beschadigd zijn of niet correct werken.
- Controleer de veiligheidsvoorzieningen regelmatig op een juiste werking. Als de veiligheidsvoorzieningen beschadigd zijn of niet goed werken, neem dan contact op met uw Husqvarna servicewerkplaats.
- Voer geen aanpassingen uit aan veiligheidsvoorzieningen.

## Noodstopknop

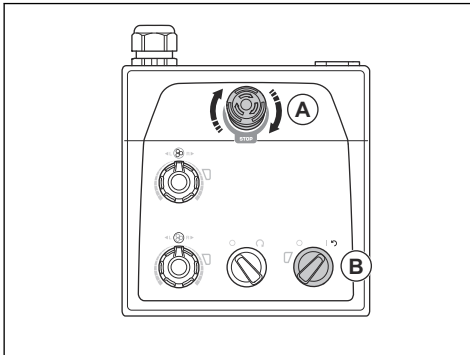
De noodstopknop wordt gebruikt om de motor snel te stoppen. De noodstopknop schakelt de netvoeding uit.



**OPGELET:** Gebruik de noodstopknop niet als stopknop voor het product.

## De noodstopknop controleren

1. Draai de noodstopknop (A) op het bedieningspaneel rechtsom zodat de noodstopknop wordt uitgeschakeld.



2. Zet de ON/OFF-schakelaar (B) op het bedieningspaneel op 1 om de motor te starten. De led naast de ON/OFF-schakelaar gaat branden.
3. Druk op de noodstopknop.
4. Controleer of de led naast de ON/OFF-schakelaar uit gaat.
5. Draai de noodstopknop rechtersom om deze uit te schakelen.

## Veiligheidsinstructies voor onderhoud

- Zorg ervoor dat alle onderdelen in een goede staat blijven en controleer of alle fittingen goed vastzitten.
- Gebruik geen product dat defect is. Voer de in deze handleiding beschreven veiligheidscontroles en onderhouds- en servicetaken uit. Alle overige onderhoudswerkzaamheden moeten worden uitgevoerd door een erkende servicewerkplaats.
- Stop het product wanneer u de diamantschijven vervangt. Zet de AAN/UIT-schakelaar op 0 en druk op de noodstopknop.
- Voer de inspectie en/of het onderhoud uit terwijl de motor is gestopt en de stekker is verwijderd.
- Controleer het product regelmatig om een goede werking te waarborgen. Zie *Onderhoudsschema op pagina 105*.

## Werking

### Inleiding



**WAARSCHUWING:** Voordat u het product gaat gebruiken, dient u het hoofdstuk over veiligheid te lezen en hebben begrepen.

### Het product uit de verpakking verwijderen



**WAARSCHUWING:** Haal het product voorzichtig en veilig van de pallet. Dit product is zwaar en kan ernstig letsel veroorzaken als het valt.



- Controleer of alle in het productoverzicht weergegeven items aanwezig zijn. Zie *Productoverzicht, rechterzijde op pagina 89*. Neem contact op met uw Husqvarna-dealer als een item ontbreekt of beschadigd is voordat u het product van de pallet haalt.
- Verwijder alle verpakkingsbanden en wielblokken.
- Zorg ervoor dat het gebied vrij is en dat u voldoende ruimte hebt om het product te verplaatsen.
- Zorg ervoor dat er geen risico bestaat dat u of het product kan vallen.
- Gebruik hijsapparatuur of hellingbanen om het product van de pallet te halen. Het product is zwaar. Verplaats het product veilig. Zie *Het product optillen op pagina 110*.

## Voordat u het product gebruikt

1. Lees de gebruikershandleiding zorgvuldig door en zorg dat u de instructies hebt begrepen.
2. Draag de benodigde persoonlijke beschermingsmiddelen. Zie *Persoonlijke beschermingsuitrusting op pagina 93*.
3. Zorg ervoor dat er alleen goedgekeurde personen in het werkgebied zijn.
4. Voer dagelijks onderhoud uit. Zie *Onderhoudsschema op pagina 105*.
5. Controleer of het product goed gemonteerd en niet beschadigd is.
6. Plaats het product in het werkgebied. Zorg ervoor dat het vervoer van het product naar en in het werkgebied veilig en correct wordt uitgevoerd. Zie *Transport op pagina 109*.
7. Zorg ervoor dat er diamantgereedschappen op de schijfplaten zitten en dat de diamantgereedschappen en schijfplaten goed zijn bevestigd.
8. Sluit een stofzuiger aan op het product. Zie *Stofzuiger aansluiten op pagina 100*.
9. Stel de hendel en de handgreep zo af dat een geschikte werkhooft wordt bereikt. Zie *De hendel en de handgreep afstellen op pagina 100*.
10. Zorg ervoor dat de motorkabel is aangesloten op de controlekast voordat u de stekker van de voedingskabel aansluit op een stopcontact. Zie *De schuurkop installeren en verwijderen op pagina 106*.
11. Sluit het product aan op een stroombron. Zie *Het product op een stroombron aansluiten op pagina 101*.
12. Draai de noodstopknop op het bedieningspaneel rechtsom om ervoor te zorgen dat de noodstopknop wordt uitgeschakeld.
13. Zorg ervoor dat u de rotatierichting van de slijpschijven weet wanneer u richtingsgevoelige diamantgereedschappen zoals Piranhas gebruikt.

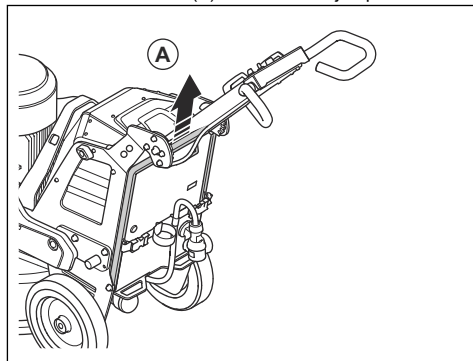
## Het steunframe uit- en inklappen

Het product heeft een steunframe dat wordt gebruikt om het product naar achteren te kantelen. Het steunframe wordt ook gebruikt als ophangstelsel om de stofzuigerslang en het netsnoer aan op te hangen.

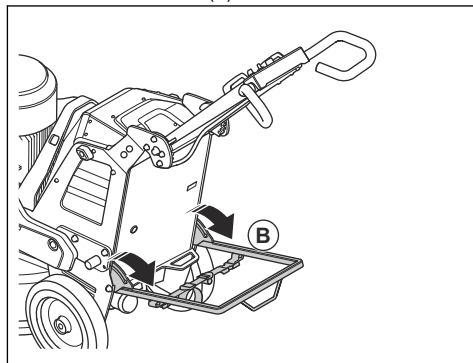


**WAARSCHUWING:** Wees voorzichtig wanneer u het steunframe verplaatst. De bewegende delen kunnen letsel veroorzaken.

1. Til het steunframe (A) een klein stukje op.



2. Laat het steunframe (B) zakken.



3. Klap het steunframe op in omgekeerde volgorde.

## Diamantgereedschappen

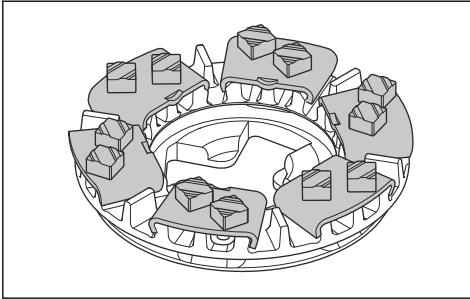
Er zijn vele soorten diamantgereedschappen voor het product evenals tal van configuraties. Metaalgebonden diamantgereedschappen worden gebruikt voor het verwijderen van materiaal en harsgebonden diamantgereedschappen worden gebruikt voor het polijsten van oppervlakken. Kies de juiste diamantgereedschappen voor het oppervlak. Neem contact op met uw Husqvarna-dealer of ga naar [www.husqvarnacp.com](http://www.husqvarnacp.com) voor ondersteuning bij het kiezen van het juiste gereedschap.

## Volledige en halve set diamantgereedschappen

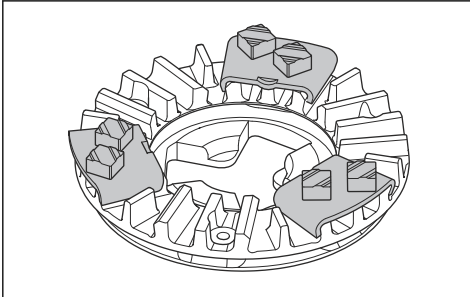
De configuratie van de diamantgereedschapssegmenten heeft invloed op de eindkwaliteit van het oppervlak. De configuratie beïnvloedt ook de gebruikssnelheid van het product.

De EZ Airflow-gereedschapsplaat wordt gebruikt voor een beter koelresultaat en zorgt voor betere prestaties van het gereedschap.

- Volledige set diamantgereedschappen: Deze configuratie zorgt voor een gladde vloerafwerking.



- Halve set diamantgereedschappen: Deze configuratie wordt gebruikt wanneer een gladde vloerafwerking niet nodig is.



## De diamantgereedschappen vervangen



### WAARSCHUWING:

Draag veiligheidshandschoenen. Diamantgereedschappen kunnen erg heet worden en u kunt uw hand verwonden wanneer u de zwevende afdekking optilt.



**WAARSCHUWING:** Gebruik goedgekeurde ademhalingsbescherming wanneer u de diamantgereedschappen vervangt. Het stof onder de slijpkop is schadelijk voor uw gezondheid.



**WAARSCHUWING:** Gebruik de stofzuiger wanneer u de diamantgereedschappen vervangt. De stofzuiger vermindert stof dat gezondheidsproblemen kan veroorzaken.



**WAARSCHUWING:** Pas de gewichten niet aan wanneer het product gekanteld is of in onderhoudsstand staat.

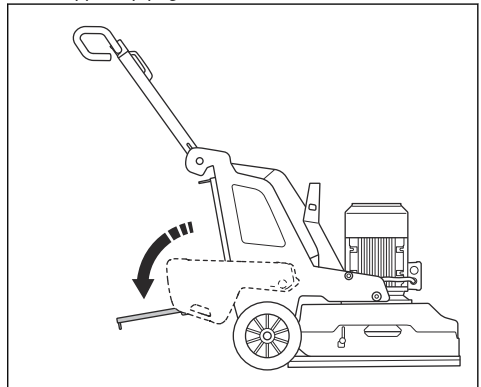


**OPGELET:** Alle schuurschijven moeten altijd hetzelfde aantal en type diamanten hebben. De hoogte van de diamanten moet op alle slijpschijven hetzelfde zijn.

1. Stop het product. Zie *Product stoppen op pagina 102*.
2. Draai de noodstopknop op het bedieningspaneel rechtsom om ervoor te zorgen dat de noodstopknop wordt uitgeschakeld.
3. Zet de hendel in de onderhoudsstand. Zie *Standen van de hendel op pagina 100*.
4. Als er gewichten zijn geïnstalleerd, verstelt u de gewichten naar de achterste positie. Zie *Gewichten op pagina 103*.
5. Draag veiligheidshandschoenen.
6. Til de zwevende afdekking op en draai deze.

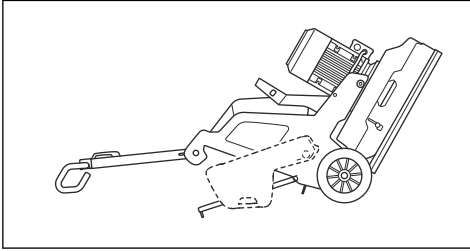
**Let op:** Wanneer u de afdekking optilt, krijgt u gemakkelijker toegang tot de diamantgereedschappen.

7. Vergrendel de afdekking met de transportvergrendeling van de zwevende afdekking.
8. Klap het steunframe uit. Zie *Het steunframe uit- en inklappen op pagina 97*.



9. Controleer de vergrendelingen voor de zwevende afdekking. Vervang beschadigde of ontbrekende vergrendelingen voordat u het product kantelt.

10. Houd de handgreep vast en kantel het product met één voet op het steunframe naar achteren. Kantel het product totdat de handgreep zich op de vloer bevindt.

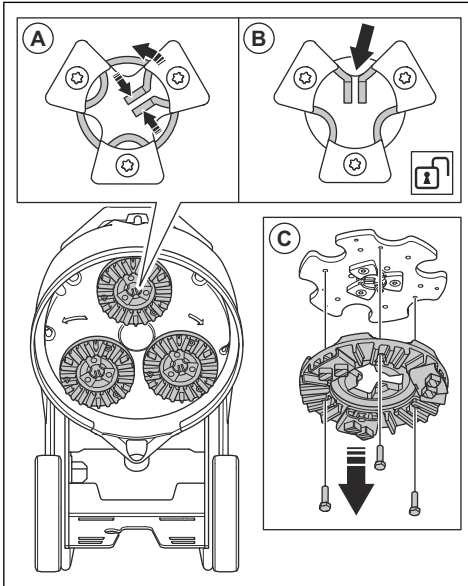


**WAARSCHUWING:** Zorg ervoor dat het product in een stabiele positie staat voordat u de diamantgereedschappen vervangt.



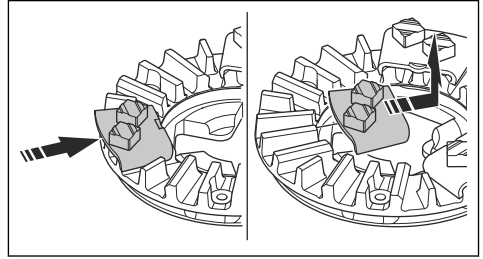
**OPGELET:** Als er gewichten worden aangebracht, moeten deze in de achterste positie staan wanneer u het product kantelt. Stel de gewichten niet af vanuit de achterste positie wanneer de slijpmachine gekanteld is.

11. Druk de middelste lipjes tegen elkaar en draai ze linksom (A) om de schijfsteun los te maken van de schuur schijf (B).

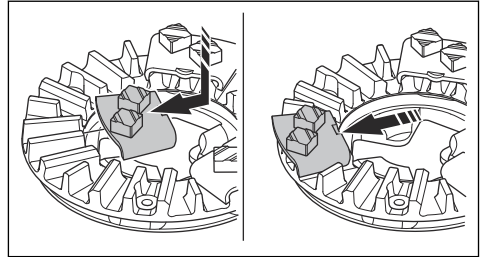


12. Trek de schijfsteun recht naar buiten (C) om de schijfsteun van de schuur schijf te verwijderen.

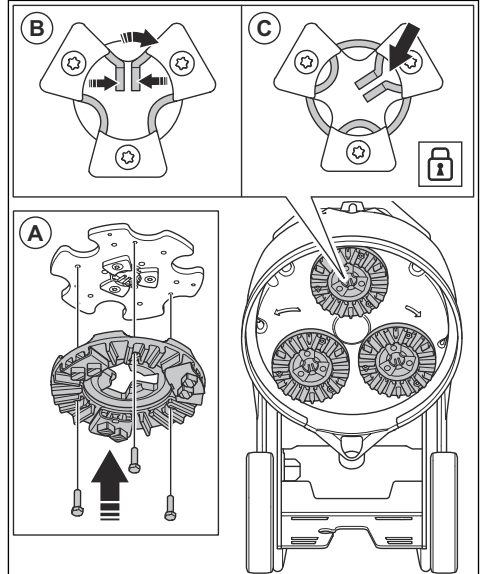
13. Gebruik een hamer om de diamantgereedschappen van de schijfplaat te verwijderen.



14. Bevestig nieuwe diamantgereedschappen op de schijfplaat met een zachte klop van de hamer.



15. Bevestig de schijfsteun recht (A) op de schuur schijf.



16. Druk de middelste lipjes tegen elkaar en draai ze rechtsom (A) om de schijfsteun op de schuur schijf (C) te vergrendelen.

17. Til het product voorzichtig naar de werkstand. Gebruik de handgreep en het steunframe ter ondersteuning.

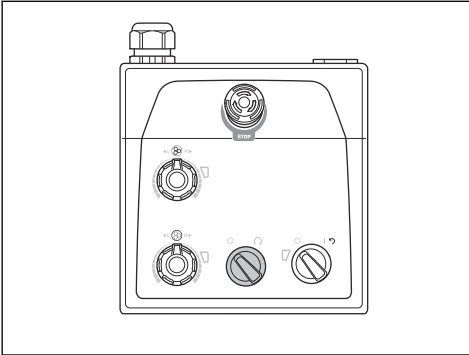
18. Klap het steunframe in.

## Stofzuiger aansluiten

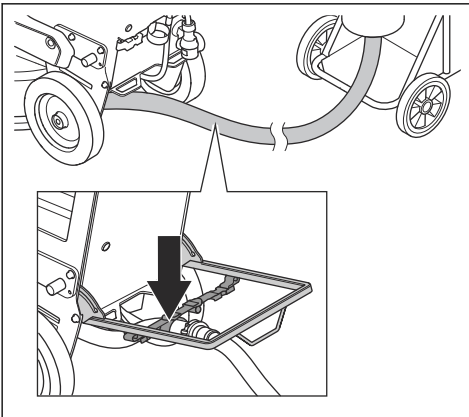


**WAARSCHUWING:** Gebruik de stofzuiger niet als de slang ervan beschadigd is. U loopt in dat geval meer risico dat u stof inademt dat schadelijk is voor uw gezondheid. Gebruik goedgekeurde ademhalingsbescherming.

1. Controleer de slang van de stofzuiger op schade.
2. Controleer of de filters in de stofzuiger schoon en onbeschadigd zijn.
3. Controleer of de STOP/RUN-schakelaar op het bedieningspaneel op 0 staat.



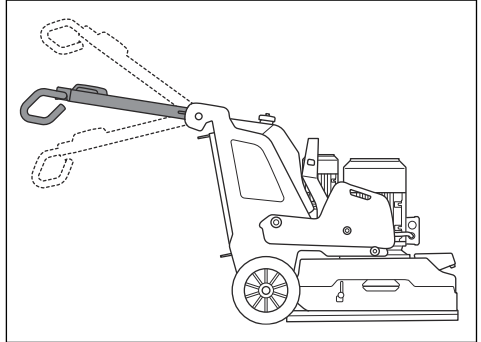
4. Sluit de slang van de stofzuiger aan op het product.
5. Klap het steunframe uit. Zie *Het steunframe uit- en inklappen op pagina 97*.
6. Hang de stofzuigerslang aan de ophanginrichting op het steunframe om spanning in de stofzuigerslang te voorkomen.



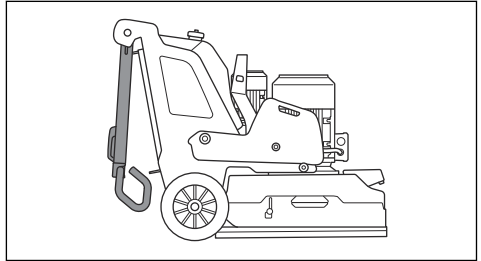
7. Klap het steunframe in.

## Standen van de hendel

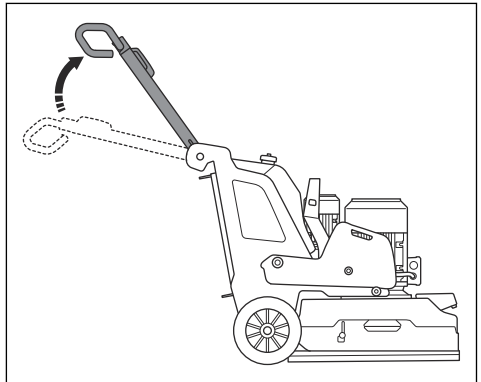
- Gebruiksstand van de hendel:



- Transportstand van de hendel:



- Onderhoudsstand van de hendel:



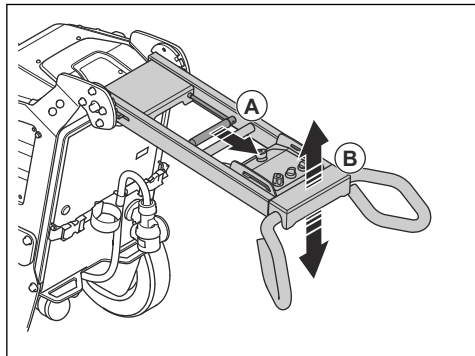
## De hendel en de handgreep afstellen



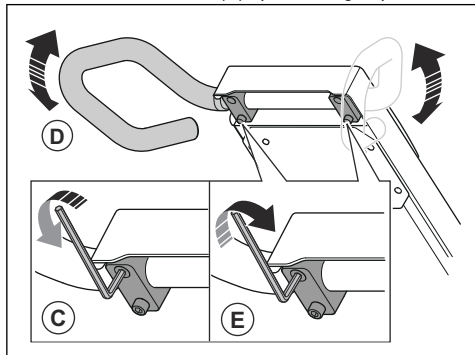
**WAARSCHUWING:** Wees voorzichtig bij het afstellen van de hendel en de handgreep. Zorg ervoor dat de hendel en de handgreep in de juiste stand worden vergrendeld. De bewegende delen kunnen letsel veroorzaken.

Stel de hoogte van de hendel zo dicht mogelijk af bij de heup van de gebruiker. Tijdens het gebruik kan het product naar de zijkant trekken. De heup van de gebruiker kan helpen deze zijdelingse beweging te stoppen.

1. Trek de vergrendelingshendel (A) op de hendel in de richting van het bedieningspaneel en houd hem in deze stand.



2. Stel de hendel (B) zo af dat de werkhogte wordt bereikt.
3. Laat de vergrendelingshendel op de hendel los om de hendelstand te vergrendelen.
4. Draai de 4 schroeven (C) op de handgreep los.

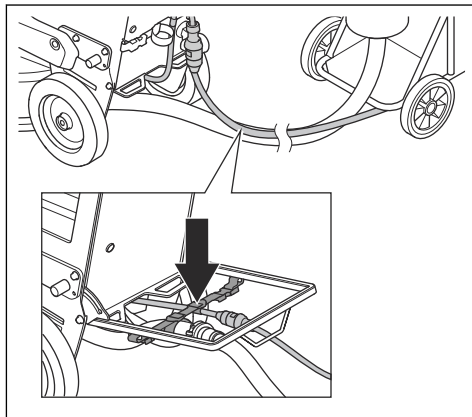


5. Stel de handgreep (D) zo af dat de gewenste werkhogte wordt bereikt.
6. Draai de 4 schroeven (E) op de handgreep vast om de handgreepstand te vergrendelen.

## Het product op een stroombron aansluiten

1. Sluit de stekker van het product aan op de verlengkabel.
2. Sluit de verlengkabel aan op een stopcontact.
3. Gebruik het steunframe. Zie *Het steunframe uit- en inklappen op pagina 97*.

4. Hang het netsnoer aan de ophanginrichting op het steunframe om spanning in het netsnoer te voorkomen.



5. Klap het steunframe in.



**OPGELET:** Als het product is aangesloten op een stofzuiger, moet de stofzuiger worden aangesloten op een driefasige stroombron.

## Gebruikssnelheid

Als het product op een nieuw type oppervlak wordt gebruikt, stelt u het toerental in eerste instantie in op 70%. Wanneer de gebruiker het type oppervlak kent, kan het toerental worden aangepast.

## Rotatierichting van de slijpkop en de slijpschijven

Gezien vanaf de bovenkant van het product is de rotatierichting als volgt:

- "R": rechtsom
- "L": linksom

Het slijpresultaat is het beste als de slijpkop en de slijpschijven in dezelfde richting draaien.

Tijdens gebruik kan het product naar de zijkant trekken. In welke richting dit gebeurt, is afhankelijk van de rotatierichting. Het product trekt naar rechts als de rotatierichting is ingesteld op "L". Het product trekt naar links als de rotatierichting is ingesteld op "R".

Doordat het product naar de zijkant trekt, kunt u het bijvoorbeeld vlak bij een muur gebruiken. Stel de rotatierichting in om in de richting van de muur te trekken.

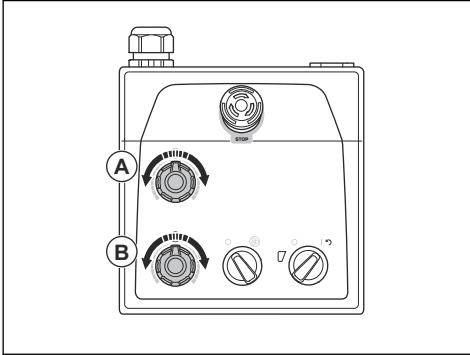


**OPGELET:** Stuur het product voorzichtig. Zorg ervoor dat het product slechts licht de muur raakt. Het product is zwaar en kan schade veroorzaken.

## Het toerental en de rotatierichting van de motor veranderen

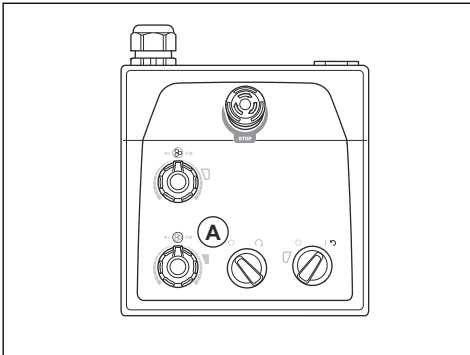
Verander regelmatig de rotatierichting om de levensduur van de diamantgereedschappen te verlengen en om ze scherper te maken. De diamantgereedschapssegmenten worden dan gelijkmatig gebruikt en het contactoppervlak blijft zo groot mogelijk.

- Draai aan de potentiometer (A) om het toerental en de rotatierichting van de schuurkop in te stellen.
- Draai aan de potentiometer (B) om het toerental en de rotatierichting van de schuurplaat in te stellen.



## Het product gebruiken

- Gebruik het product handmatig met het bedieningspaneel op de hendel. Zie *Productoverzicht, rechterzijde op pagina 89*.
- Let tijdens gebruik op kleurveranderingen in de indicator voor de omvormer van de schuurmotor (A).



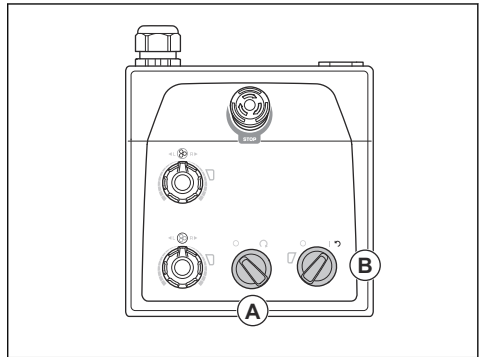
- Groen lampje: het product werkt naar behoren.
- Oranje lampje: de schuurkop is overbelast. Verlaag het uitgangsvermogen binnen 10 seconden om te voorkomen dat er een storing optreedt.
- Rood lampje: storing in de omvormer en de schuurkop stopt. Het product moet worden gereset. Zie *Het product resetten op pagina 103*.

## Product starten



**OPGELET:** Beweeg het product altijd terwijl de schuurkop is ingeschakeld. Als u het product niet beweegt, kan het oppervlak ruw worden.

1. Duw de handgreep iets omlaag om de schuurkop vanaf het oppervlak op te heffen. De diamantgereedschappen maken in dat geval niet langer contact met het oppervlak. Hef de schuurkop niet volledig vanaf het oppervlak op tijdens gebruik.
2. Draai de STOP/RUN-schakelaar (A) op het bedieningspaneel linksom naar 0 om de schuurkop uit te schakelen.



3. Zet de ON/OFF-schakelaar (B) op het bedieningspaneel op de pijlpositie om het product te starten. De led naast de ON/OFF-schakelaar gaat branden.
4. Draai de STOP/RUN-schakelaar op het bedieningspaneel rechtsom om de schuurkop te starten. Het product bereikt binnen 5 seconden het stationaire toerental.

## Product stoppen

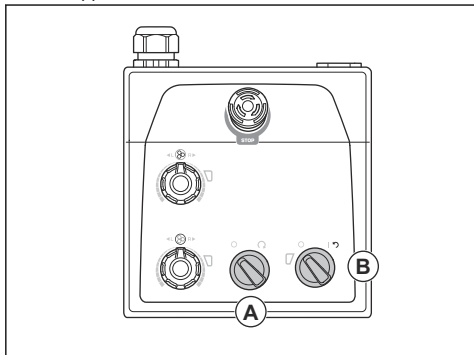


**OPGELET:** Hef de schuurkop niet vanaf het oppervlak op wanneer u de motor stopt. De schijfplaten blijven nog enige tijd draaien nadat de motor is uitgeschakeld. Stof kan opstuiven en het oppervlak kan beschadigd raken.



**OPGELET:** Laat het product niet stilstaan totdat de schijfplaten volledig tot stilstand zijn gekomen.

1. Draai de STOP/RUN-schakelaar (A) op het bedieningspaneel linksom naar 0 om de schuurkop te stoppen.



2. Houd de schijfplaten tegen het oppervlak tot ze volledig tot stilstand komen.

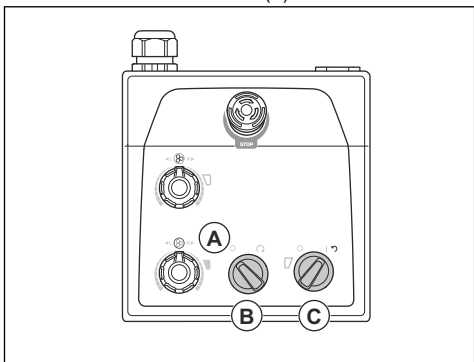


**OPGELET:** Als u klevend asfalt, lak of soortgelijk materiaal afslijpt, kan het product aan het oppervlak blijven kleven. Hef de voorkant van de schuurkop licht op onmiddellijk nadat de schijfplaat volledig tot stilstand is gekomen.

3. Zet de ON/OFF-schakelaar (B) op het bedieningspaneel op 0 om het product te stoppen. De led naast de ON/OFF-schakelaar gaat uit.
4. Haal de stekker uit het stopcontact.

## Het product resetten

De ON/OFF-schakelaar kan worden gebruikt als resetschakelaar als de omvormer wordt uitgeschakeld. Reset het product wanneer de indicator voor de omvormer van de schuurmotor (A) rood is.



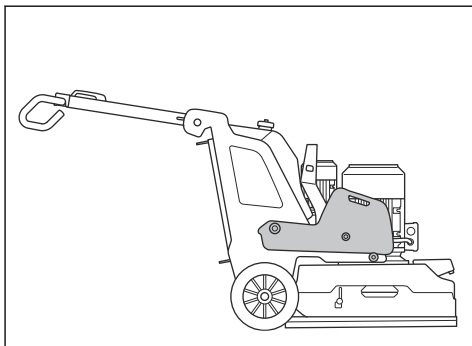
1. Draai de STOP/RUN-schakelaar (B) linksom naar 0 om de schuurkop uit te schakelen.

2. Zet de ON/OFF-schakelaar in de stand met de pijl (C) om het product te resetten. De indicator voor de omvormer van de schuurmotor is groen wanneer de fout is gereset.
3. Draai de STOP/RUN-schakelaar op het bedieningspaneel rechtsom om de schuurkop weer te starten.

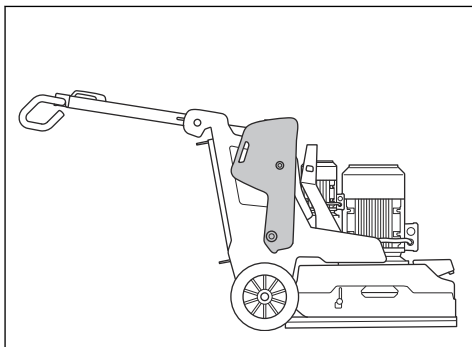
## Gewichten

Het product heeft 1 gewicht aan elke zijde. Als het product zwaar is om te gebruiken, verstelt u de gewichten om de druk op de schuurkop te veranderen. De gewichten moeten aan de rechter- en linkerkant worden versteld naar dezelfde positie. De gewichten hebben 3 posities:

- Positie 1: Maximale druk op de schuurkop. Deze positie vergroot de doeltreffendheid. Deze positie wordt ook gebruikt wanneer u het product in de transportstand zet.

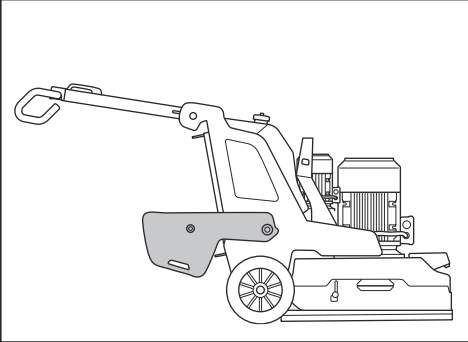


- Positie 2: Standaarddruk op de schuurkop.

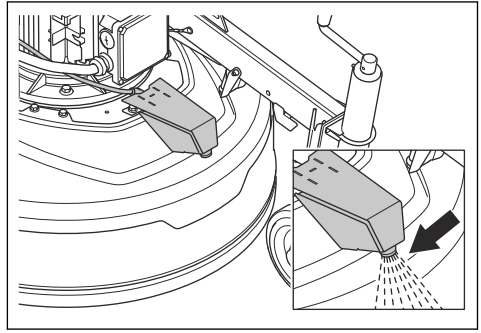




- Positie 3: Minimale druk op de schuurkop. Deze positie wordt ook gebruikt wanneer u het product naar de onderhoudsstand kantelt.



nevelkoelsysteem levert water aan het oppervlak. Het waterdebiet wordt geregeld met een schakelaar op de kastdeur. Wanneer het waterniveau laag is, knippert de led van de schakelaar geel.



## De gewichten verstellen

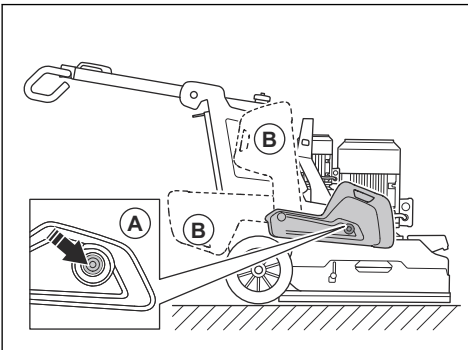


**WAARSCHUWING:** Wees voorzichtig bij het verstellen van de gewichten. De bewegende delen kunnen letsel veroorzaken.



**WAARSCHUWING:** Zorg er altijd voor dat de gewichtvergrendeling correct wordt vergrendeld wanneer de gewichten in de geselecteerde positie worden gezet.

1. Druk de gewichtsvergrendeling (A) in en verplaats het gewicht met de gewichtshendel naar de geselecteerde stand (B). Zie *Gewichten op pagina 103*.



2. Maak de gewichtsvergrendeling los om het gewicht in de geselecteerde stand te vergrendelen.

## Het nevelkoelsysteem

Het nevelkoelsysteem verlaagt de temperatuur van de schuurschijfgereedschappen en verbetert de prestaties van het product. Het nevelkoelsysteem gebruikt het water uit de watertank. Het mondstuk van het



**OPGELET:** Gebruik geschikte apparatuur om het waterreservoir te vullen. Laat geen water uit het waterreservoir lopen.

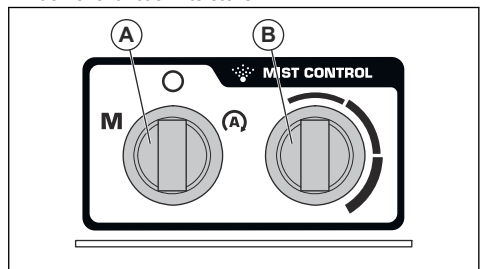
Het nevelkoelsysteem kan worden ingesteld op handmatige of automatische modus. De handmatige modus is altijd ingeschakeld wanneer het product zonder de afstandsbediening werkt. Als de afstandsbediening is aangesloten, start de knop op de afstandsbediening de mistfunctie. Als het schuren stopt, stopt de nevelfunctie na 60 seconden. De nevelfunctie in de automatische modus start en stopt met het schuren.

## De nevelfunctie bedienen



**OPGELET:** Richt het nevelmondstuk van het product nooit op elektrische componenten.

1. Draai aan de nevelschakelaar (A) op de kastdeur om de nevelfunctie in te stellen.



- Draai de nevelschakelaar naar het M-symbool om de handmatige modus in te stellen.
  - Draai de nevelschakelaar naar het A-symbool om de automatische modus in te stellen.
2. Draai aan de schakelaar (B) om het waterdebiet te verhogen of te verlagen.



# Onderhoud

## Inleiding



**WAARSCHUWING:** Voordat u onderhoud gaat uitvoeren, dient u het hoofdstuk over veiligheid te lezen en hebben begrepen.

Voor alle onderhouds- en reparatiewerkzaamheden aan het product is speciale training nodig. Wij garanderen de beschikbaarheid van professionele reparaties en onderhoud. Indien uw dealer geen servicewerkplaats heeft, vraag hem dan naar de dichtstbijzijnde servicewerkplaats.

Zie voor meer gedetailleerde informatie.

## Vereiste handelingen voorafgaand aan onderhoud

- Maak altijd gebruik van persoonlijke beschermingsmiddelen. Zie *Persoonlijke beschermingsuitrusting op pagina 93*.
- Gebruik goedgekeurde ademhalingsbescherming. Het stof van het product is schadelijk voor uw gezondheid.

- Parkeer het product op een vlakke ondergrond.
- Stop de motor en haal de stekker uit het stopcontact om te voorkomen dat de motor per ongeluk start tijdens onderhoud.
- Verwijder olie en vuil van het gebied rondom het product. Verwijder ongewenste voorwerpen.
- Breng duidelijke waarschuwingsborden aan om omstanders te informeren dat er onderhoudswerkzaamheden gaande zijn.
- Zorg dat brandblussers, medische hulpmiddelen en een noodtelefoon binnen handbereik zijn.

## Onderhoudsschema

\* = Algemeen onderhoud uit te voeren door de gebruiker. De instructies zijn niet opgenomen in deze gebruikershandleiding.

X = De instructies zijn opgenomen in deze gebruikershandleiding.

O = De instructies zijn niet opgenomen in deze gebruikershandleiding. Laat onderhoud aan de machine uitvoeren door een erkende servicewerkplaats.

Onderhoud	Elke dag	Weke-lijks	Elke 6 maanden	Elke 12-36 maanden
Controleer de AAN/UIT-schakelaar.	*			
Controleer de bevestigingspunten en de vergrendelfunctie voor de hendel.		*		
Controleer de bevestigingspunten en de vergrendelfunctie voor de gewichten.		*		
Controleer de noodstopknop.	X			
Reinig de buitenkant van het product.	X			
Reinig de interne componenten van het product.			O	
Voer een algemene inspectie uit.	X			
Controleer de slijpschijven.	X			
Controleer de werking van het aandrijfsysteem voor de slijpkop.		X		
Voer onderhoud uit aan het aandrijfsysteem voor slijpschijven.				O
Controleer de verbinding tussen het chassis en de slijpkop.		*		

## Product reinigen



**OPGELET:** Een geblokkeerde luchtinlaat leidt tot verminderde prestaties van het product en kan leiden tot oververhitting van de motor.

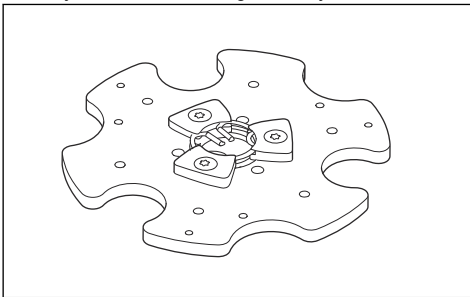
- Verwijder blokkades van alle luchtopeningen. Het product moet altijd koel genoeg zijn.
- Haal altijd de stekker uit het stopcontact voordat u het product gaat reinigen.
- Gebruik geen chemicaliën om het product te reinigen.
- Reinig elektrische componenten nooit met water.
- Reinig altijd alle apparatuur aan het einde van de werkdag.
  - a) Kantel het product totdat de handgreep zich op de vloer bevindt.
  - b) Verwijder de diamantgereedschappen en gebruik het product kort op het laagste toerental. Bedien het product om de hoeveelheid stof op de bovenkant van de slijpkop te verminderen.
  - c) Reinig de componenten aan de onderkant van de slijpkop met een hogedrukreiniger.



**OPGELET:** Richt de hogedrukreiniger niet direct op afdichtingen of aansluitpunten.

## Algemene inspectie uitvoeren

- Controleer of de voedingskabel en verlengkabel in goede staat verkeren en niet beschadigd zijn.
- Controleer of de moeren en schroeven goed zijn vastgedraaid.
- Controleer of de mantel in goede staat verkeert en veilig is om mee te werken.
- Controleer of de afdekking vrij kan bewegen en in de juiste positie tegen de vloer aan ligt.
- Controleer de middelste vergrendeling voor de schijfsteun schoon is en gemakkelijk draait.



## Aandrijfsysteem voor slijpkop

Het aandrijfsysteem voor de slijpkop is een gesloten systeem. Als u problemen hebt met het aandrijfsysteem

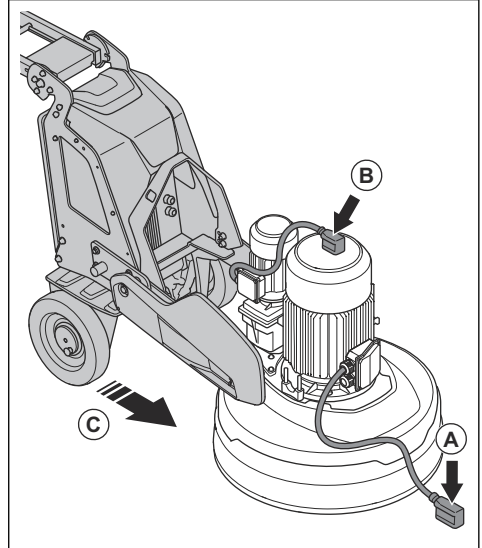
van de slijpkop, neem dan contact op met de servicewerkplaats van Husqvarna.

## De schuurkop installeren en verwijderen

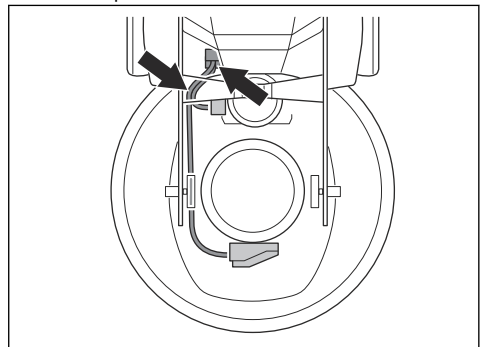


**WAARSCHUWING:** Het chassis is niet in balans wanneer de schuurkop is verwijderd. Zorg ervoor dat het chassis niet kan vallen. Dit kan letsel of schade veroorzaken.

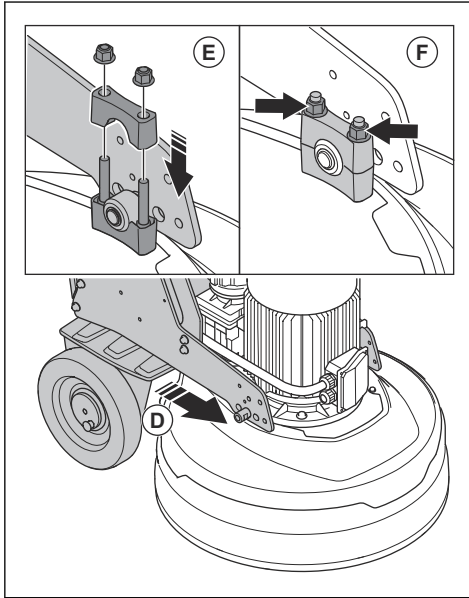
1. Plaats de voorste motorkabel (A) vóór de schuurkop.



2. Plaats de achterste motorkabel (B) boven op de motor.
3. Duw het chassis in de richting van de schuurkop (C).
4. Leid de motorkabels door de gleuf tussen de schuurkop en het chassis.

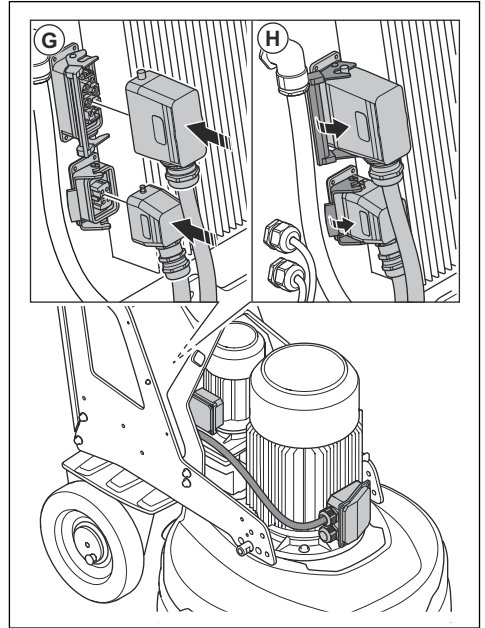


5. Duw het chassis volledig tegen de schuurkop (D). Zorg ervoor dat het chassis wordt bevestigd aan de steun op de schuurkop.



6. Monteer de tweede steun (E) boven op de steun op de schuurkop.  
7. Draai de 2 moeren (F) aan weerszijden van de schuurkop vast.

8. Sluit de motorkabels aan op de elektrische uitgangen (G) op de controlekast.



9. Zet de motorkabels vast aan de elektrische uitgangen (H) op de controlekast.  
10. Verwijder de schuurkop in omgekeerde volgorde.

## Probleemoplossing

Probleem	Oorzaak	Oplossing
Het product start niet.	De verlengkabel is losgekoppeld of beschadigd.	Sluit de verlengkabel aan of vervang deze indien nodig.
	Een noodstopknop is ingeschakeld.	Draai de noodstopknop op het bedieningspaneel rechtsonder om deze uit te schakelen.
	De veiligheidsschakelaar is open in de controlekast.	Sluit de veiligheidsschakelaar om het circuit te voltooien.

Probleem	Oorzaak	Oplossing
Het product kan niet eenvoudig worden vastgehouden.	Er zijn te weinig diamantschijven op het product geïnstalleerd.	Verhoog het aantal diamantgereedschappen om de belasting van het product en de gebruiker te verminderen.
	De schuuraandrijfmotor werkt niet.  Dit kan worden veroorzaakt door een storing in de motor of door een storing in de draad naar de motor.	Controleer of de schuuraandrijfmotor is aangesloten.  Indien het probleem zich blijft voordoen, neem dan contact op met een erkende service-werkplaats.
	De riem is kapot.	Als de riem kapot is, laat deze dan door een servicepunt vervangen.  Draai een van de schuurschijven met de hand. Als alle schuurschijven draaien, is de riem niet beschadigd. Als slechts 1 schuur-schijf vrij draait, is de riem kapot.
	Er komt slechts 1 fase in het product. Het product ontvangt geen foutcode en gebruikt een motorstroom van < 1 A. De ventilator draait langzaam.	Controleer de voeding.
	Het oppervlak of de bewerking zorgt voor overbelasting van het product.	Pas het toerental van de motor en/of de voorwaartse snelheid van het product over de vloer aan.
	Het product maakt een onregelmatig kraspatroon.	De diamantgereedschappen zijn onjuist of op verschillende hoogtes op de schuurschijven gemonteerd.
De diamantgereedschappen zijn van verschillende types.		Controleer of alle segmenten dezelfde diamantschuurkorrels en binding hebben. Als de diamantsegmenten ruw zijn, moet u de ruwe diamantsegmenten gelijkmatig verdelen. Gebruik het product op een abrasief oppervlak totdat alle segmenten dezelfde hoogte hebben.
De kopvergrendelingen zitten los of ontbreken.		Zorg ervoor dat alle kopvergrendelingen op hun plek zitten en zijn vastgedraaid.
De harsgereedschappen zijn gemengd of bevatten ongewenste verontreiniging.		Zorg ervoor dat alle harsen dezelfde diamantschuurkorrels en binding hebben en dat er geen verontreiniging is. Om de harsgereedschappen te reinigen, moet u ze korte tijd op een licht abrasief oppervlak gebruiken.
De schuurschijven zijn versleten of beschadigd.		Controleer de schuurschijven op beschadigde stukken en te veel speling.
Er doen zich plotse-linge ongewenste bewegingen voor.	De schuurschijven zijn versleten of beschadigd.	Controleer de schuurschijven op beschadigde delen en te veel speling.
	De diamantgereedschappen zijn onjuist of op verschillende hoogtes op de schuurschijven gemonteerd.	Controleer of alle diamantschijven correct zijn geïnstalleerd en dezelfde hoogte hebben.

Probleem	Oorzaak	Oplossing
De interne stroomonderbreker wordt uitgeschakeld.	Te hoge belasting of onvoldoende voeding.	Controleer de voeding.
		Verlaag de schuurdruk, verhoog het aantal diamantgereedschappen of verhoog de hardheid van de binding.
Er is geen waterstroom of de stroming is niet voldoende.	De watertank is leeg.	Vul de watertank.
	Er zit stof in het mondstuk.	Koppel de toevoerslang los en reinig het mondstuk.
	Het watersysteem is verstopt.	Koppel de toevoerslang los en spoel het waterreservoir door tot u schoon water ziet.

## Vervoer, opslag en verwerking

### Transport



**WAARSCHUWING:** Wees voorzichtig tijdens het transport. Het product is zwaar en kan als het valt of beweegt letsel of schade veroorzaken.

Met de wielen kunt u het product verplaatsen voor kortere afstanden. Voor langere afstanden moet u het product heffen om het te verplaatsen of op een voertuig plaatsen.



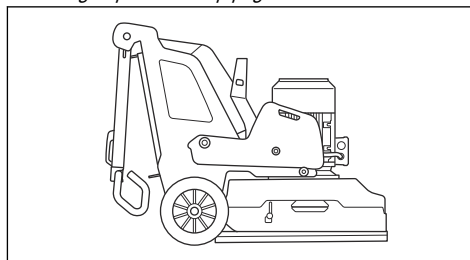
**OPGELET:** Sleep het product niet achter een voertuig.

- Wees zeer voorzichtig wanneer u het product handmatig of op oppervlakken met een helling verplaatst. Lichte hellingen kunnen leiden tot een snelle beweging die niet met de hand kan worden geremd.
- Zet het product goed vast tijdens transport. Zorg ervoor dat het niet kan bewegen.
- Zorg dat het product tijdens het transport op bepaalde manieren wordt beschermd. Op deze wijze wordt het product niet blootgesteld aan natuurverschijnselen zoals regen en sneeuw.
- Gebruik altijd het hijssoog op het product wanneer u het product hijst.
- Hijs het product niet op aan de handgreep, de motor, het chassis of andere onderdelen.
- Vervoer het product bij voorkeur op een pallet.
- Hijs het product altijd met een lift of vorkheftruck.
- Gebruik geen vorkheftruck als het product niet op een pallet of een slede staat. Dit kan schade aan de slijpschijven en andere interne componenten veroorzaken.
- Tijdens het transport moet de slijpkop op de vloer rusten. Om schade aan het

vergrendelingsmechanisme van de schijfplaten te voorkomen, moeten de schijfplaten geïnstalleerd blijven.

### Product in de transportstand zetten

- Til de afdekking op en draai de afdekking om te vergrendelen. Dit beschermt de stofmantel tegen beschadiging tijdens transport.
- Klap de hendel naar beneden. Zie *De hendel en de handgreep afstellen op pagina 100*.



- Als de gewichten aan het product zijn bevestigd, verstuurt u de gewichten naar de voorste positie. Zie *De gewichten verstellen op pagina 104*.
- Zorg ervoor dat de slijpkop het oppervlak raakt.

### Het product een hellingbaan op en af laten gaan



**WAARSCHUWING:** Wees zeer voorzichtig wanneer u het product een hellingbaan op en af laat gaan met de motor ingeschakeld. Het product is zwaar en er bestaat gevaar voor letsel als het product te valt of te snel beweegt.



**WAARSCHUWING:** Gebruik altijd een lier voor steile hellingbanen. Loop of sta niet onder het product. Blijf niet in het risicogebied van het product staan. Zie *Veiligheid van het werkgebied op pagina 93*.



**WAARSCHUWING:** Werk niet met het product op steile hellingen. Kijk op het productplaatje voor informatie over de maximale hellingshoek.

- Als u het product van een hellingbaan af wilt laten rijden, rijd het product dan langzaam achteruit.
- Als u het product een hellingbaan op wilt laten rijden, rijd het product dan langzaam vooruit.
- Draai het product nooit meer dan 45° op een hellingbaan.

## Het product optillen



**WAARSCHUWING:** Zorg ervoor dat de hijsapparatuur de juiste specificaties heeft om het product veilig op te tillen. Het typeplaatje op het product geeft het gewicht van het product aan.

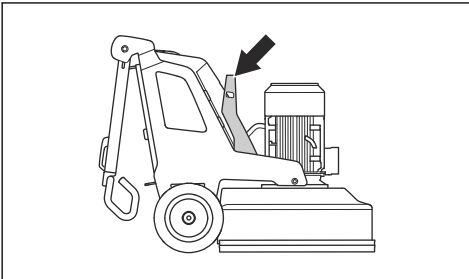


**WAARSCHUWING:** Loop nooit onder een opgeheven product door en blijf er niet onder of in de buurt staan. Houd omstanders uit de buurt van de gevarezone. Zie *Veiligheid van het werkgebied op pagina 93*.



**WAARSCHUWING:** Hef een beschadigd product niet. Controleer of het hijsorg correct is aangebracht en niet beschadigd is.

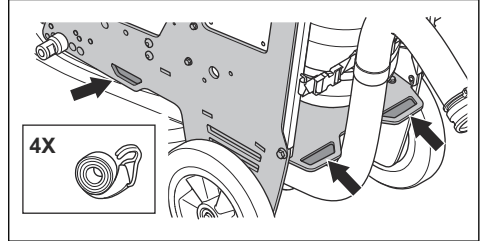
1. Zet het product in de transportstand. Zie *Product in de transportstand zetten op pagina 109*.
2. Bevestig de hijsapparatuur aan het hijsorg.



## Het product aan een transportvoertuig bevestigen

Het product beschikt over spanpunten om het product aan het transportvoertuig te bevestigen.

1. Bevestig de metalen haken van de sjobanden in de spanpunten. Wees voorzichtig, want scherpe randen kunnen schade aan de banden veroorzaken.



2. Bevestig de spanbanden aan het voertuig en haal deze aan.

## Opslag



**OPGELET:** Sla het product niet buiten op. Bewaar dit product altijd binnen.

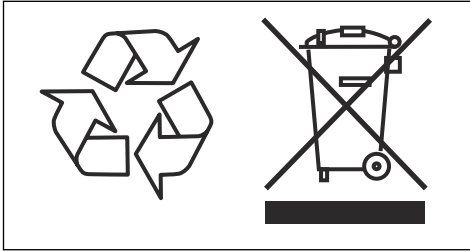
- Bewaar het product in een droge en vorstvrije ruimte.
- Reinig het product en voer een volledige onderhoudsbeurt uit voordat u het product opslaat.
- Houd de slijpkop op de grond.
- Bewaar het product in een afgesloten ruimte om toegang door kinderen of onbevoegde personen te verhinderen.

## Afvoeren

Symbolen op het product of op de verpakking van het product geven aan dat dit product niet beschouwd kan worden als huishoudelijk afval. Het moet worden ingeleverd bij een geschikt inzamelstation voor het terugwinnen van elektrische en elektronische apparatuur.

Als u ervoor zorgt dat dit product goed wordt verwerkt, helpt u mogelijk negatieve gevolgen voor het milieu en mensen door verkeerd afvalbeheer van dit product tegen te gaan. Neem voor meer informatie over het recyclen van dit product contact op met de gemeente,

het afvalverwerkingsbedrijf of de winkel waar u het product hebt gekocht.



## Technische gegevens

### Technische gegevens

	<b>PG 8 D</b> <b>3x 380-415 V</b>
Maximaal vermogen, kW/pk	11/15
Nominale stroom, A	30
Nominale spanning, V	380-415
Fasen	3-fasen
Frequentie, Hz	50-60
Gewicht, kg/lbs	497/1096
Schuurbreedte, mm/inch	800/31,5
Schuurschijf, mm/inch	3x270/10,5
Schuurdruk, kg/lbs	238/524
Schuurdruk met steunwiel, kg/lbs	255/561
Gewicht in stand 1 (naar voren), kg/lbs	298/656
Gewicht in stand 1 (naar voren) met steunwiel, kg/lbs	315/693
Gewicht in stand 2 (verticaal), kg/lbs	249/548
Gewicht in stand 2 (verticaal) met steunwiel, kg/lbs	266/585
Gewicht in stand 3 (naar achteren), kg/lbs	195/429
Gewicht in stand 3 (naar achteren) met steunwiel, kg/lbs	212/466
Toerental van schuurschijf, min./max. toerental	421-1403
Toerental schuurkop, min./max. tpm	28-92
Rotatierichting (van boven gezien)	Schuurkop: rechtsom Schuurschijf: linksom
Max. helling, graden °	10
Behuizing, IP	54
<b>Aanbevolen stofzuiger</b> <sup>13</sup>	
Opzetstuk stofzuiger, mm/inch	76/3
Min. luchtstroming, m <sup>3</sup> /u/CFM	815/480
Min. vacuüm, kPa/psi	30/4,4

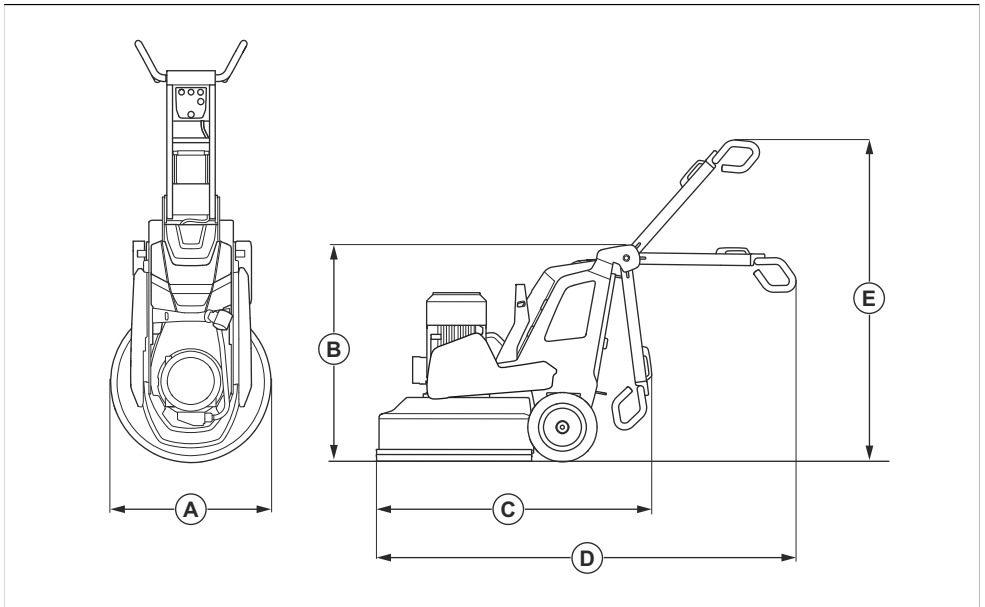
<sup>13</sup> De omschrijving die technische gegevens voor stofzuigers bieden, verschaft onvoldoende duidelijkheid over de werkelijke prestaties in de loop van de tijd tussen de verschillende stofzuigers. Voor Husqvarna-producten zijn OSHA objectieve gegevens beschikbaar op [www.husqvarnacp.com/us](http://www.husqvarnacp.com/us).



## Geluidsniveau

<b>Geluidsemisies</b> <sup>14</sup>	
Geluidsvermogeniveau, gemeten $L_w$ (dB(A))	95,4
<b>Geluidsniveau</b> <sup>15</sup>	
Geluidsdrukkniveau bij het oor van de gebruiker, $L_p$ (dB(A))	78,7
<b>Trillingsniveau</b> <sup>16</sup>	
Handgreep rechts, $m/s^2$	1,7
Handgreep links, $m/s^2$	1,5

## Productafmetingen



<b>A</b>	Breedte, mm/inch	830/32,7
<b>B</b>	Min. totale hoogte (hendel ingeklapt), mm/inch	1145/45,1

<sup>14</sup> Geluidsemisies naar de omgeving gemeten als geluidsvermogen volgens EN 60335-2-72. Verwachte onzekerheidsmarge 2,5 dB(A).

<sup>15</sup> Geluidsdrukkniveau volgens EN 60335-2-72. Verwachte onzekerheidsmarge 4 dB(A).

<sup>16</sup> Trillingsniveau volgens EN 60335-1 en EN 60335-2-72. De gerapporteerde gegevens voor het trillingsniveau vertonen een typische statistische spreiding (standaardafwijking) van  $1 m/s^2$ . De trillingswaarden zijn geldig voor handmatige bediening.

<b>C</b>	Max. totale lengte (hendels ingeklapt), mm/inch	1550/61
<b>D</b>	Max. totale lengte (hendels uitgetrokken), mm/inch	2215/87,2
<b>O</b>	Max. totale hoogte (hendels uitgetrokken), mm/inch	1700/66,9

---

# Verklaring van overeenstemming

---

## EU-verklaring van overeenstemming

Wij, Husqvarna AB, SE-561 82 Huskvarna, Zweden,  
tel: +46 36 146500, verklaren onder onze  
alleenverantwoordelijkheid dat het product:

Beschrijving	Vloerslijpmachine
Merk	HUSQVARNA
Type/model	PG 8 D
Identificatie	Serienummers vanaf 2024 en verder

volledig voldoet aan de volgende EU-richtlijnen en  
-regelgeving:

Richtlijn/Verordening	Beschrijving
2006/42/EC	"betreffende machines"
2014/30/EU	"betreffende elektromagnetische compatibiliteit"
2011/65/EU	"betreffende beperking van gevaarlijke stoffen"

en dat de volgende normen en/of technische  
specificaties zijn toegepast:

EN ISO 11201:2010

EN 60335-2-72:2012

EN 61000-3-2:2014

EN IEC 61000-3-2:2019+A1:2021

EN 61000-3-3:2013+A1:2019+ A2:2021

EN 61000-6-2:2005/AC:2005

EN IEC 61000-6-2:2019

EN 61000-6-4:2007+A1:2011

EN IEC 61000-6-4:2019

Partille, 2024-05-24

Husqvarna AB, Construction Division

Verantwoordelijk voor technische documentatie



A handwritten signature in black ink, appearing to read 'Martin Huber', with a long horizontal line extending from the end of the signature.

Martin Huber

R&D Director, Concrete Surfaces & Floors



[www.husqvarnaconstruction.com](http://www.husqvarnaconstruction.com)

Original instructions  
Originalanweisungen  
Instructions d'origine  
Originele instructies

1143784-20

Rev. D



2024-05-28