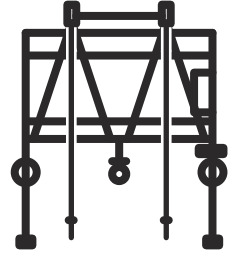




Husqvarna®



RIGG 900 FI

EN	Operator's manual
ES-MX	Manual del usuario
FR-CA	Manuel d'utilisation

2-19
20-37
38-55

Contents

Introduction.....	2	Maintenance.....	14
Safety.....	5	Troubleshooting.....	15
Installation.....	8	Transportation, storage and disposal.....	16
Operation.....	11	Technical data.....	18

Introduction

Product description

The product is a rigging system for storage tanks with floating roofs. The product is only to be used for the EBE 900 V shot blaster.

Intended use

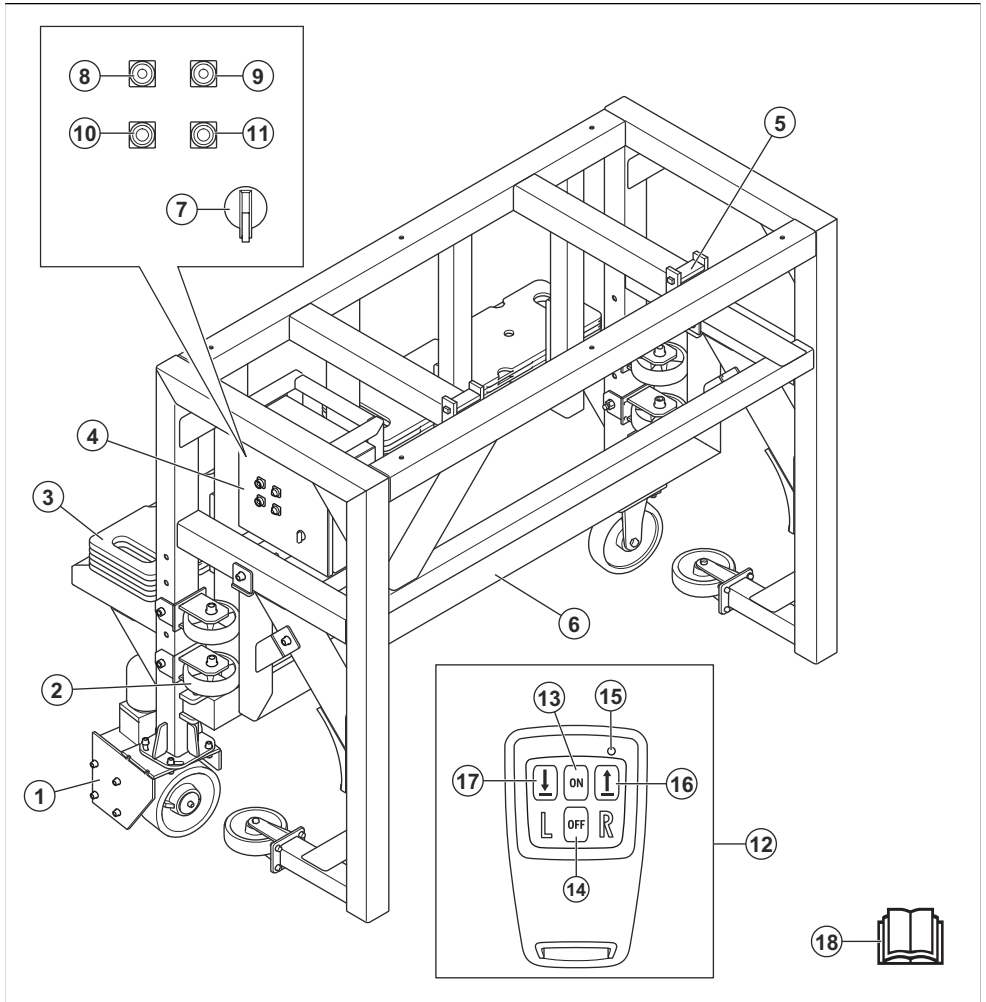
The product is used to move the EBE 900 V shot blaster left and right along the vertical steel surfaces

of storage tanks. The product can be operated with a remote control.

The product is used in commercial operations by professional operators.

Do not use the product for other tasks.

Product overview



1. Drive unit
2. Support wheels
3. Counterweights
4. Electrical enclosure and control panel
5. Suspensions for steel wire rope
6. Safety beam
7. ON/OFF switch
8. Green indicator for control voltage
9. Red indicator for phase sequence failure
10. Move left button
11. Move right button
12. Remote control

13. ON button
14. OFF button
15. LED
16. Move right button
17. Move left button
18. Operator's manual

Symbols on the product



Warning: This product can be dangerous and cause serious injury or death to the operator or others. Be careful and use the product correctly.



High voltage.



Lifting point on the product.



Read the manual carefully and make sure that you understand the instructions before you use the product.



Use approved protective helmet, hearing protection, eye protection and respiratory protection.



Use approved protective gloves.



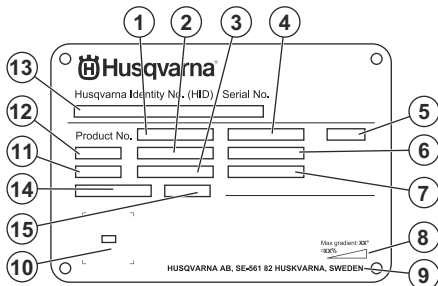
Use approved protective boots.



This product is in compliance with applicable EU directives.

Note: Other symbols/decals on the product refer to special certification requirements for some markets.

Type plate



1. Product number
2. Product weight
3. Rated power
4. Rated voltage
5. Enclosure
6. Rated current
7. Frequency
8. Maximum slope angle
9. Manufacturer
10. Scannable code
11. Production year
12. Model
13. Serial number
14. Work load lift
15. Value work load lift

Product damage

We are not responsible for damages to our product if:

- the product is incorrectly repaired.
- the product is repaired with parts that are not from the manufacturer or not approved by the manufacturer.
- the product has an accessory that is not from the manufacturer or not approved by the manufacturer.
- the product is not repaired at an approved service center or by an approved authority.

Safety

Safety definitions

Warnings, cautions and notes are used to point out specially important parts of the manual.



WARNING: Used if there is a risk of injury or death for the operator or bystanders if the instructions in the manual are not obeyed.



CAUTION: Used if there is a risk of damage to the product, other materials or the adjacent area if the instructions in the manual are not obeyed.

Note: Used to give more information that is necessary in a given situation.

General safety instructions



WARNING: Read the warning instructions that follow before you use the product.

- Keep the product clean. Make sure that you can clearly read signs and decals.
 - Do not use the product if it is damaged or does not operate correctly.
 - Do not do modifications to this product.
 - Do not operate the product if it is possible that other persons have done modifications to the product.
-
- ## Safety instructions for operation
-
-
- WARNING:** Read the warning instructions that follow before you use the product.
-
- Use personal protective equipment. Refer to *Personal protective equipment on page 6*.
 - Do not operate the product without all protective covers installed.
 - Do not use the product to lift persons or other objects than the shot blaster.
 - Stay behind the product at a safe distance, and with a clear view of the product, when you operate it.
 - Do not stay below the product.
 - Do not use the product on wood.
 - Make sure that you know how to stop the product quickly in an emergency.
 - Do not operate the product in too small steps. Frequent operation of the product in small steps can cause damage to the product.
 - Before you go away from the product, stop the product and disconnect the power cord. Make sure that there is no risk of accidental start.
 - Make sure that clothing, long hair and jewelry do not get caught in moving parts
 - Make sure that you are in a safe and stable position during operation.
 - Make sure that there are no loose bolts and nuts.
 - Always use approved accessories. Speak to your Husqvarna dealer for more information.
 - Make sure that there is no grease or oil on the handles.
 - Make sure that there is no ice on the product. Ice has a negative effect on the function of the product and changes the structure of the material.
 - Keep chemicals away from the product.
 - Do not weld on the product or the steel wire ropes.
 - Do not use the product unless you are able to call for help in case of an accident.
 - Do not operate the product unless you can get aid if an accident occurs.

Personal protective equipment



WARNING: Read the warning instructions that follow before you use the product.

- Always use approved personal protective equipment when you operate the product. Personal protective equipment cannot fully prevent injury but it decreases the degree of injury if an accident does occur. Let your dealer help you select the correct personal protective equipment and when to use them.
- Regularly do a check of the condition of the personal protective equipment.
- Use an approved protective helmet.
- Use approved hearing protection.
- Use approved respiratory protection.
- Use approved eye protection with side protection.
- Use protective gloves.
- Use boots with steel toe-cap and non-slip sole.
- Use approved work clothing or equivalent close-fitting clothing that has long sleeves and long legs.

Fire extinguisher

- Keep a fire extinguisher near during operation.
- Use a powder fire extinguisher or a carbon dioxide fire extinguisher.

Work area safety



WARNING: Read the warning instructions that follow before you use the product.

- It is the responsibility of the operator to analyze the surface to be treated. The user should make a risk assessment on the basis of the information obtained about the surface to be treated and take proper precautions for the work to be performed.
- Do not use the product in fog, rain, strong winds, cold weather, risk of lightning or other bad weather conditions.
- Look out for persons, objects and situations that can prevent safe operation of the product.
- Do not use the product in areas where fire or explosions can occur. The product creates sparks and flammable material can create ignition with the dust or fumes.
- Keep children, bystanders and animals away from the work area and at a safe distance from the product. Safe distance is 15 m/49 ft.
- Make sure that only approved persons are in the work area.
- Keep the work area clean and fully illuminated. Cluttered or dark areas invite accidents.

- Make sure that there are no cables or hoses in the operation direction of the product.
- Make sure that there are no obstacles that the product or the shot blaster can get caught on.
- Make sure that uneven surfaces, such as welded seams or floor joints, do not stop the product.
- Make sure that there is sufficient airflow in the work area.
- The operators that do not stay on ground level when the product is assembled must be certified to work on altitudes and use a fall protection system.
- Make sure that you know the maximum work load of the construction that will hold the rigging system and the product.

Electrical safety



WARNING: There is always a risk of shocks from electrical products. Do not use the product in bad weather conditions. Do not touch lightning conductors and metal objects. Always use the product as given in this operator's manual to prevent injury.



WARNING: Always use a power supply with RCD (residual-current device). An RCD decreases the risk of electrical shock.



WARNING: High voltage. There are unprotected parts in the power unit. Always disconnect the power plug before you open the door to the electrical box.



CAUTION: The power supply from the product or generator must be sufficient and constant to make sure that the motors operate without problems. Incorrect voltage causes the power consumption and the temperature of the motors to increase until the safety circuit releases. The dimension of the power cord must agree with national and local regulations. The dimension of the mains socket must agree with the amperage for the electrical socket and extension cable of the product.

If the power mains has higher system resistance, short voltage drop can occur when the product is started. This can influence the operation of other products, for example flicker on the lights.

- The power plug must match the outlet. Never modify the plug in any way. Do not use any adapter plugs with earthed (grounded) power tools. Unmodified plugs and matching outlets will reduce risk of electric shock.

- Avoid body contact with earthed or grounded surfaces, such as pipes, radiators, ranges and refrigerators. There is an increased risk of electric shock if your body is earthed or grounded.
- Make sure that the power, fuse and mains voltage are the same as the voltage shown on the rating plate of the product.
- Always stop the product before you disconnect the power plug.
- Always disconnect the power supply before you open the electrical enclosure.
- Make sure that the ON/OFF switch is in OFF position before the product is connected to the power supply.
- Always disconnect the power plug during a long product stop.
- Do not use the product if the power cord or power plug is damaged. Let an approved service center repair the product. A damaged power cord can cause serious injury and death.
- Use the power cord correctly. Do not use the power cord to move, pull or disconnect the product. Pull the power plug to disconnect the power cord. Do not pull the power cord.
- Only operate the product on dry surfaces.
- Keep the product away from rain. Water that goes into the product increases the risk of electrical shock.
- Always disconnect the power cord before you connect or disconnect the connection for the motor cable and the electrical enclosure.
- In order to avoid a hazard due to inadvertent resetting of the thermal cut-out, this appliance must not be supplied through an external switching device, such as a timer, or connected to a circuit that is regularly switched on and off by the utility.
- Make sure that the power supply for the product is supplied by separate transformers that are used for industrial purpose only.

Grounded product instructions



WARNING: Incorrect connection can result in electrical shock. Speak to an approved electrician if you are not sure if your mains outlet is correctly grounded.

Do not do modifications to the power plug from its factory specification. If the power plug or power cord is damaged or must be replaced, speak to your Husqvarna service agent. Obey local regulations and laws.

If you do not fully understand the instructions about the grounded product, speak to an approved electrician.

Use only grounded outdoor extension cables with grounding plugs and grounding outlet that accepts the product power plug.

The product has a grounded power cord and power plug. Always connect the product to a grounded mains outlet. This decreases the risk of electrical shock.

Do not use electrical adapters with the product.

Extension cables

- Use only approved extension cables with applicable properties.
- The rated value on the extension cable must be the same or higher than given on the rating plate of the product.
- Use grounded extension cables.
- When you operate the product outdoors, use an extension cable that is applicable for outdoor operation. This decreases the risk of electrical shock.
- Keep the connection to the extension cable dry and off the ground.
- Keep the extension cable away from heat, oil, sharp edges or moving parts. A damaged cable increases the risk of electrical shock.
- Make sure that the extension cable is in good condition and not damaged.
- Do not use the extension cable while it is wound up. This can cause the extension cable to become too hot.
- Make sure that the extension cable is out of the way and the product during operation. This prevents damage to the extension cable.

Safety devices on the product



WARNING: Read the warning instructions that follow before you use the product.

- Do not use a product with safety devices that are damaged or do not operate correctly.
- Do a check of the safety devices regularly. If the safety devices are damaged or do not operate correctly, speak to your Husqvarna service agent.
- Do not make modifications to safety devices.

ON/OFF switch

The ON/OFF switch is used to start and stop the power supply to the product.

To do a check of the ON/OFF switch

Refer to *Product overview on page 3* for information about where the ON/OFF switch is on your product.

1. Turn the ON/OFF switch to the ON (I) position.
2. Make sure that the indicator for control voltage comes on.
3. Turn the ON/OFF switch to the OFF (O) position.
4. Make sure that the indicator for control voltage goes off.

Safety instructions for maintenance



WARNING: Read the warning instructions that follow before you use the product.

- Only do the maintenance as given in this operator's manual. Let an approved service agent do all other servicing.
- If the maintenance is not done correctly and regularly, the risk of injury and damage to the product increases.
- Clean the product to remove dangerous material before you do the maintenance.
- Do the maintenance of the product on stable level ground. Make sure that the product cannot move.

- Do not make modifications to the product. Modifications that are not approved by the manufacturer can cause serious injury or death.
- Replace damaged, worn or broken parts.
- Do not use a pressure washer to clean the product.
- Only use lint-free cleaning cloths.
- Always use original accessories and spare parts. Accessories and spare parts that are not approved by the manufacturer, can cause serious injury or death.
- After maintenance, do a check of the vibration level in the product. If it is not correct, speak to an approved service agent.
- Let an approved service agent do servicing on the product regularly.

Installation

Introduction



WARNING: Read and understand the safety chapter before you install the product.



WARNING: Always use personal protective equipment. Refer to *Personal protective equipment* on page 6.



WARNING: Persons who are on top of a tank or above ground level must be secured by a safety lifeline fall protection system. Follow local applicable regulations.



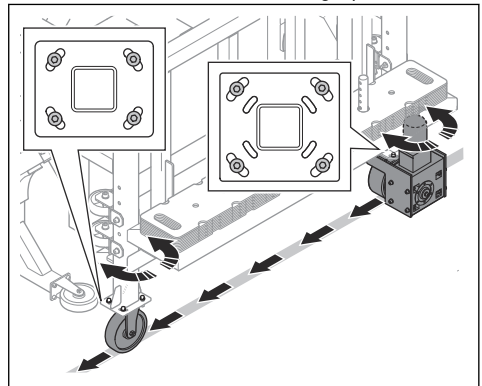
WARNING: Make sure that the steel wire ropes are clean and not damaged. Make sure that the certificates for the steel wire ropes, the rigging system and the winch motors are valid.



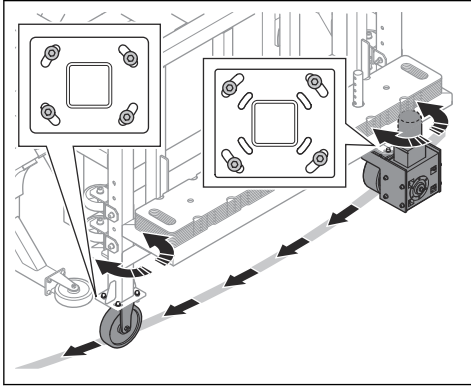
WARNING: When the operators have assembled the product, they must go down to ground level and keep a safe distance to the product.

To adjust the drive wheels to the diameter of the storage tank

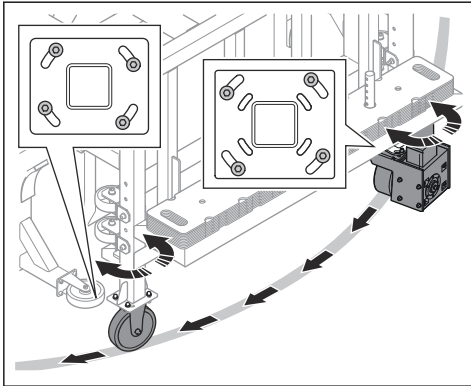
- If the diameter of the storage tank is larger than 25 m, set the drive wheels in the straight position.



- If the diameter of the storage tank is 15–25 m, set the drive wheels in the middle position.



- If the diameter of the storage tank is smaller than 15 m, set the drive wheels in the maximum turned position.

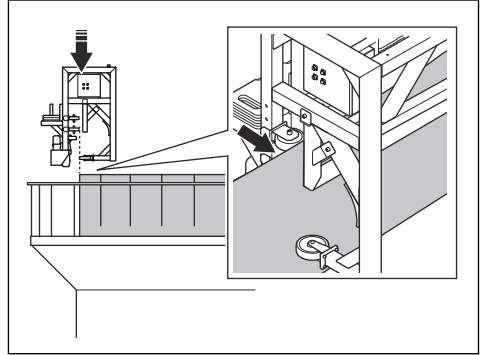


To install the product on a storage tank

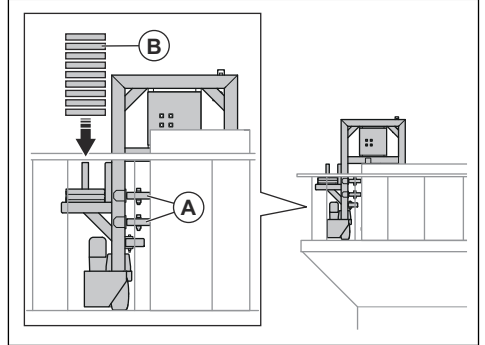


WARNING: Do not stay below the product when you install the product.

1. Lift the product onto the roof of the storage tank. Use applicable lifting equipment. Refer to *To lift the product on page 16*.

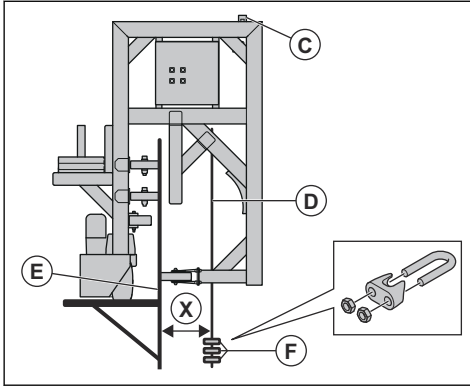


2. Install the 4 support wheels (A). Use 1 M16x150 bolt, 2 M16 washers, and 1 M16 locknut to install each support wheel.



3. Add counterweights (B) to the product. Refer to *To add and remove counterweights on page 10*.
4. Install the 2 steel wire ropes for the EBE 900 V shot blaster in the 2 suspensions (C) for the steel wire ropes.

- Adjust the 2 suspensions for the steel wire ropes to the correct position on the horizontal tubes of the frame. The correct position is when the distance (X) between the steel wire rope (D) and the wall (E) of the storage tank is 349 mm. Use 2 M20x180 bolts, 4 M20 washers, and 2 M20 locknuts.



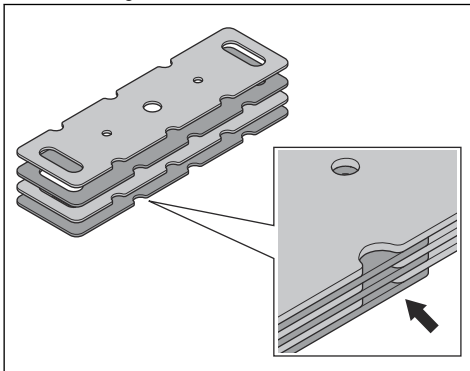
- Install the 6 clamps (F) at the necessary height on the steel wire ropes. The clamps engage the limit switch on the EBE 900 V shot blaster.
- Adjust the drive wheels to the radius of the storage tank. Refer to *To adjust the drive wheels to the diameter of the storage tank on page 8.*

To add and remove counterweights

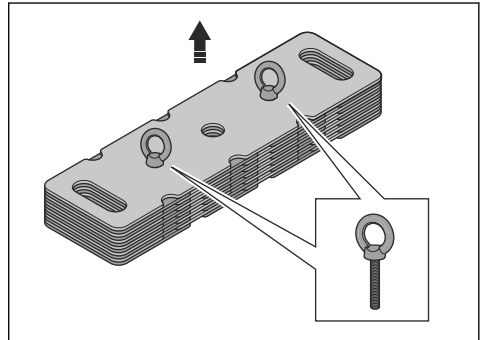


CAUTION: Do not use too many counterweights. The maximum permitted total counterweight is 600 kg. This is equal to 30 counterweights.

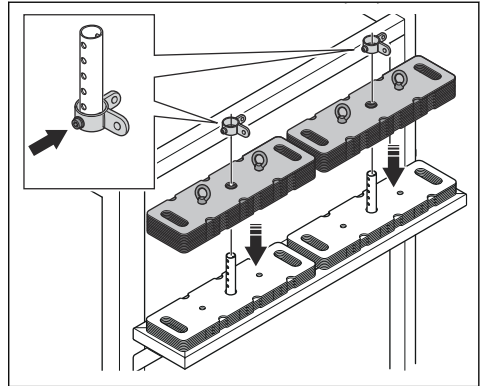
- Put 12 counterweights in the opposite direction of each other. This makes it easier to remove the counterweights with a screwdriver.



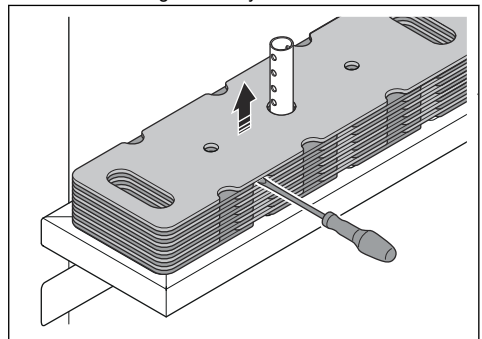
- Attach the lifting eyes to the counterweights. The length of the bolts on the lifting eyes is sufficient to lift 12 counterweights at a time.



- Put the counterweights on the counterweight rack on the product. Use the 4 lifting eyes when you lift the counterweights onto the counterweight rack.



- Install the clamp rings and tighten the set screws.
- Remove the lifting eyes.
- To remove a counterweight, do the steps that follow.
 - Remove the clamp rings.
 - Use a flat screwdriver to slightly lift the counterweight before you remove it.



Operation

Introduction



WARNING: Read and understand the safety chapter before you use the product.



WARNING: Make sure that the 6 clamps on the steel wire ropes are tightened.

To do before you operate the product

1. Read the operator's manual for this product, the EBE 900 V shot blaster, and the dust collector carefully and make sure that you understand the instructions.
2. If a generator is used as a power source for the product, read and understand the operator's manual of the generator.
3. Use personal protective equipment. Refer to *Personal protective equipment on page 6*.
4. Do a visual inspection of the product. Refer to *To do a visual inspection on page 11*.
5. Make sure that the product is assembled correctly and is not damaged.
6. Make sure that all bolts, screws and nuts are tightened.
7. Do daily maintenance. Refer to *Maintenance schedule on page 14*.
8. Install the product on the storage tank. Refer to *To install the product on a storage tank on page 9*.
9. Make sure that only approved persons are in the work area.
10. Make sure that the ON/OFF switch is in the OFF position before you connect the product to a power supply.
11. Connect the product to a power source. Refer to *To connect the product to a power source on page 12*.

To do a visual inspection



WARNING: Do not use the product if the visual inspection gives indications of damage or wear. If you are not sure about the condition of the product or the lifting equipment, speak to a competent person for more inspections.



WARNING: Seawater increases the speed of the corrosion process.

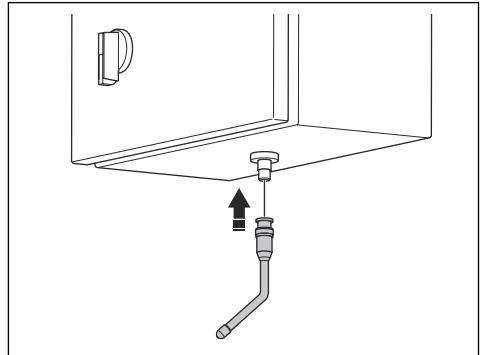


WARNING: Sand, concrete dust, and other particles increase the speed of the wear process.

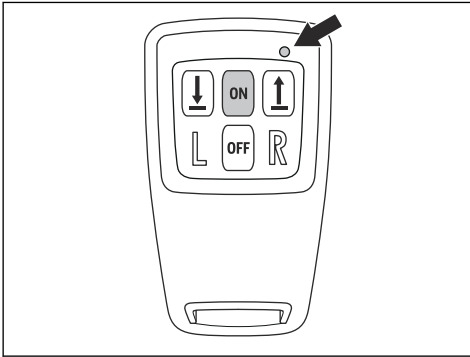
- Make sure that there is no wear or damage.
- Make sure that there is no deformation. Deformation decreases the material strength.
- Make sure that there is no corrosion.
- Make sure that there is no ice on the product.
- Make sure that there are no loose bolts or nuts.
- Make sure that no bearings or wheels are worn.
- Examine all welded joints for cracks.
- Make sure that no label is missing and that you can read all labels.
- Examine the steel wire ropes for wear and damage. Refer to the operator's manual for the EBE 900 V shot blaster.
- Make sure that the lifting equipment has no cracks, notches, grooves, corrosion or heat discoloration.

To do a pairing operation of the remote control and the product

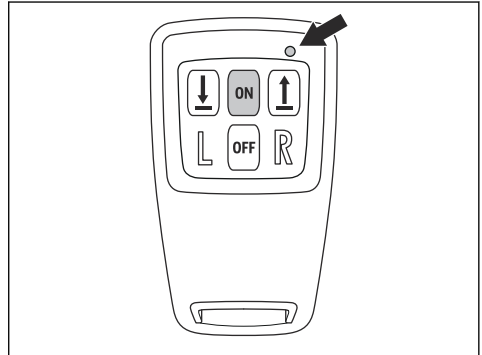
1. Install the antenna for the remote control at the bottom of the electrical enclosure.



2. Push the ON button for 3 seconds. The LED flashes with a green light during startup. When the LED flashes with a green light slowly, the pairing operation is done.



3. Push the ON button on the remote control to start the remote control. The LED flashes with a green light.

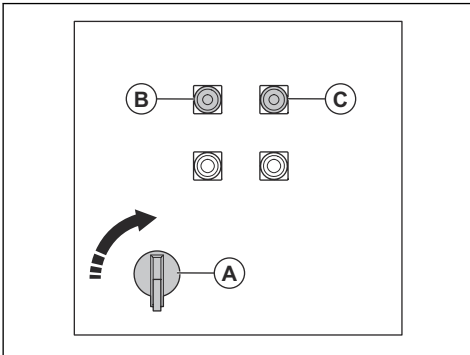


To connect the product to a power source

1. Connect the power plug of the product to a grounded mains outlet or other power source.
2. Make sure that the mains voltage agrees with the type plate on the product.

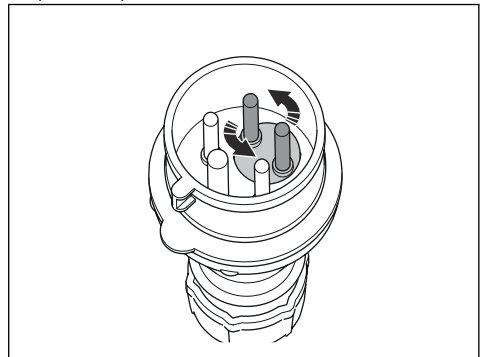
To start the product

1. Connect the product to a power source. Refer to *To connect the product to a power source on page 12*.
2. Set the ON/OFF switch (A) in the ON position. The green indicator for control voltage (B) comes on. If the red indicator for phase sequence failure (C) comes on, the phase sequence in the power plug must be changed. Refer to *To change the phase sequence on page 12*.



To change the phase sequence

1. Set the ON/OFF switch in the OFF position.
2. Disconnect the power plug from the power supply.
3. Turn the connectors in the power plug to change the phase sequence.



To operate the product with the remote control

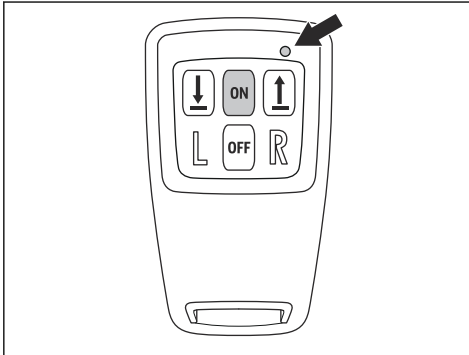
Note: The remote control is automatically de-energized after a period of time if it is not used.



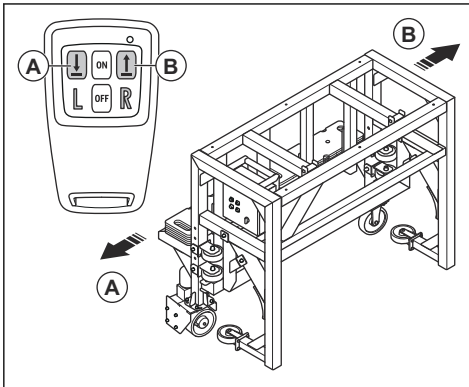
WARNING: Do not operate the product across the power supply cable.

1. Start the product. Refer to *To start the product on page 12*.
2. Do a pairing operation of the remote control and the product. Refer to *To do a pairing operation of the remote control and the product on page 11*.

3. Push the ON button on the remote control to start the remote control. The LED flashes with a green light.



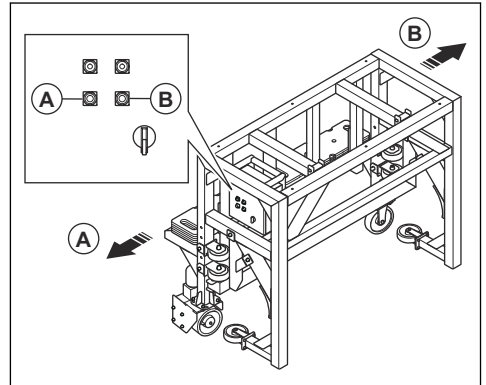
4. Use the left and right buttons to move the product to the left or to the right.



To operate the product with the control panel

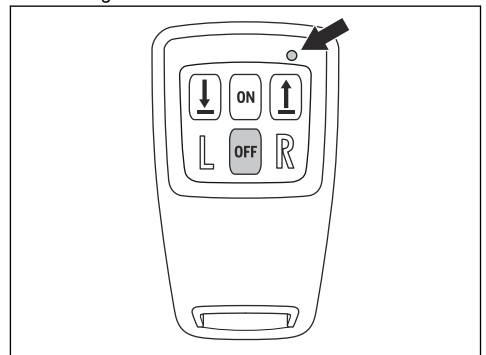
1. Start the product. Refer to *To start the product on page 12.*

2. Use the left button (A) to move the product to the left and the right button (B) to move the product to the right.

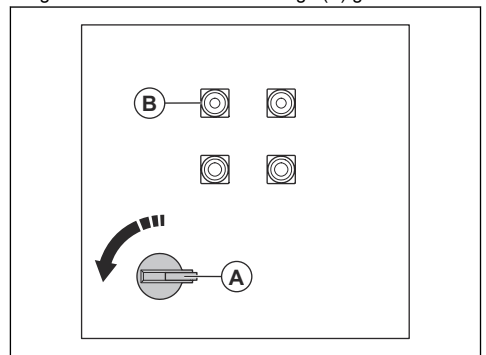


To stop the product

1. Push the OFF button on the remote control for 3 seconds. The LED flashes red before the remote control goes off.



2. Set the ON/OFF switch (A) in the OFF position. The green indicator for control voltage (B) goes off.



3. Disconnect the product from the power supply.

Maintenance

Introduction



WARNING: Before you do maintenance, you must read and understand the safety chapter.



WARNING: Use personal protective equipment when you do servicing and maintenance. Refer to *Personal protective equipment on page 6*.



WARNING: Before you do the maintenance, stop the motor and disconnect the power plug from the power supply. Make sure that all drives stop and let the product become cool.



WARNING: Do the maintenance of the product on stable level ground. Make sure that the product cannot move.

For all servicing and repair work on the product, special training is necessary. We guarantee the availability of professional repairs and servicing. If your dealer is not a service agent, speak to them for information about the nearest service agent.

For more detailed information, refer to www.husqvarnaconstruction.com.

Maintenance schedule

* = General maintenance done by the operator. The instructions are not given in this operator's manual.

X = The instructions are given in this operator's manual.

O = The instructions are not given in this operator's manual. Let an approved service agent do the maintenance.

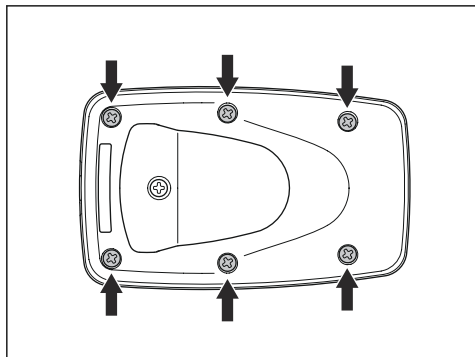
General product maintenance	Each 50 h	Daily	Yearly
Make sure that bolts, nuts, and screws are tight. Do this also 12 h after servicing and repairs.		*	
Do a check of the electrical components, the cables, and all connections for wear and damages.		*	
Do a check of the electric motor for wear and damages.		*	
Clean the inner parts of the electrical enclosure.		*	
Do a check of the RCD.		*	
Do maintenance on the remote control. Refer to the manufacturer's manual for the remote control.	*	*	*
Replace the ventilation filter of the electrical enclosure.	*		
Do an inspection of the drive motor and support wheels.	*		
Do a visual inspection of the product and the lifting equipment.		X	
Clean the product.		X	
Do a check of the safety devices on the product.		X	
Do a complete servicing and cleaning of the product.			O
Let a approved person do an inspection of the product and the safety devices on the product.			O
Lubricate the steel wire ropes.		X	

To clean the product

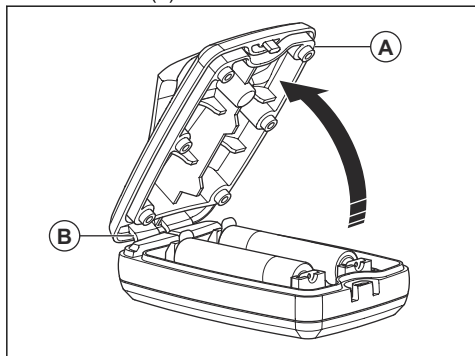
- Always clean all the equipment after use. Use a vacuum cleaner.
- Do not use a high-pressure washer to clean the product.
- Keep the air openings clean and clear to make sure that the product always has sufficiently cool temperature.

To replace the batteries in the remote control

1. Remove the 6 screws.



2. Carefully lift the top (A) of the battery cover and remove it. The battery cover is attached with hinges at the bottom (B).



3. Replace the batteries. For the correct battery type, refer to *Technical data on page 18*.
4. Attach the hinges at the bottom of the battery cover and push down the top of the battery cover.
5. Install the 6 screws and torque them to 1 Nm.

To lubricate the steel ropes



CAUTION: Do not lubricate the steel wire ropes with lubricants that contain molybdenum disulphide (MoS₂) or PTFE. Use a standard multi-purpose oil or grease.

1. Remove the steel wire ropes from the product. Make sure that you put the steel wire ropes on a clean surface.
2. Clean the steel ropes with a lint-free cloth.
3. Lubricate the steel wire ropes

Troubleshooting

To reset the product after an operation failure

1. Move the product down to the ground or onto a pallet.
2. Set the ON/OFF switch to OFF.
3. Push the OFF button on the remote control.
4. Wait 15 seconds and then set the ON/OFF switch to ON and start the remote control.

Troubleshooting of the remote control

Problem	Cause	Solution
The LED is red.	The voltage in the batteries is low.	Replace the batteries. Refer to <i>To replace the batteries in the remote control on page 15.</i>
The LED slowly flashes red 3 times.	The batteries are empty.	Replace the batteries. Refer to <i>To replace the batteries in the remote control on page 15.</i>
The LED quickly flashes red.	The output in the receiver is not in operation and there is no signal from the receiver.	Do a pairing operation. Refer to <i>To do a pairing operation of the remote control and the product on page 11.</i>

Transportation, storage and disposal

Transportation



WARNING: Be careful during transportation. The product is heavy and can cause injury or damage if it falls or moves during transportation.



CAUTION: Do not tow the product behind a vehicle.

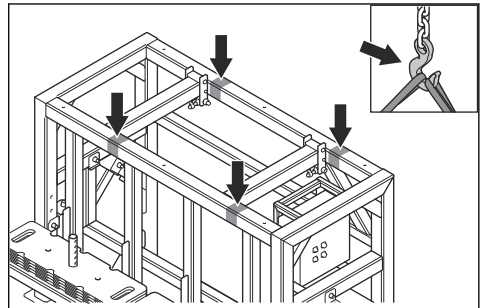
- Make sure that the power supply is disconnected before transportation.
- For transportation, lift the product to move it or put the product on a vehicle.
- Do not lift a damaged product. Make sure that the lifting eyes are correctly installed and not damaged.
- Always use the slowest speed when you lift the product.
- The cables on the lifting equipment must have tension before you lift the product from the ground.
- Do not walk or stay below or near a lifted product. Keep bystanders away from the work area.
- Make sure that you can see the product and the work area when you lift the product.
- Put protection on the product during transportation. The protection keeps natural elements, for example rain and snow, away from the product.

To lift the product



WARNING: Only lift the product with applicable lifting equipment.

- Attach the lifting equipment to the 4 lifting points of the product.



To attach the product to a transportation vehicle

Use the lifting points to attach the product to the transportation vehicle.

1. Attach the tie-down straps in the lifting points.
2. Attach and tighten the tie-down straps to the transportation vehicle.

Storage



CAUTION: Do not put the product in storage outdoors. Always keep the product indoors.

- Keep the product in a dry and cool storage with sufficient airflow.
- Do not keep the product on the floor, let the product hang above the floor.
- Clean the product and do a complete servicing before you put the product in storage.

- Make sure that you prevent corrosion if you put the steel wire ropes, chains, and other steel lifting equipment in storage for a longer time.
- Keep the product in a locked area to prevent access for children or persons that are not approved.

Disposal of the product

- Obey the local recycling requirements and applicable regulations.
- When the product no longer is used, send it to a Husqvarna dealer or discard it at a recycling location.

Technical data

	RIGG 900 FI
Weight, excl. counterweight, kg/lbs	580/1279
Weight, incl. max. counterweight, kg/lbs	980/2161
Product dimensions (L×W×H), mm/inch	2315×1330×1815/91×52×72
Rated voltage, V	400–460
Rated frequency, Hz	50/60
Electrical connection	16 A, 5 pole
Power consumption, drive motor, kW	0.18
Speed, m/min/ft/min	0–9/0-30
Maximum workload, kg/lbs	1300/2866
Dynamic test coefficient	1.1
Static test coefficient	1.25
Sound level, dB(A)	<70
Remote control	
Battery type	2 x AA/LR06 Alkaline
Frequency band, MHz	869
Channel separation, kHz	25
Functional sensitivity	Better than -107 dBm BER 10 ⁻⁴
Transmission principle	GMSK, TDMA
IP class	IP67
Ambient allowed temperature, °C/°F	0–45/32–113
Storage temperature, °C/°F	-40–+85/-40–+185

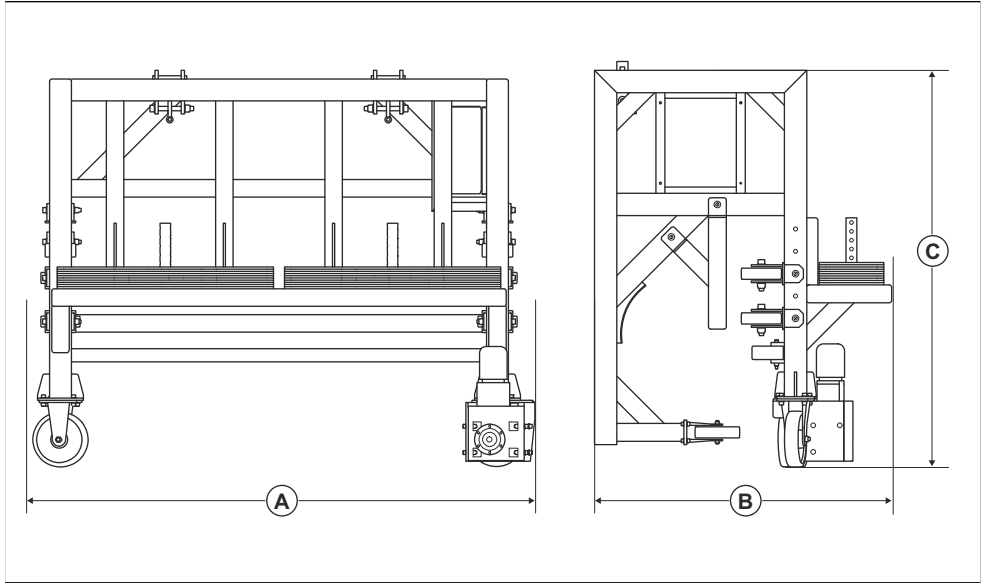
Note: If your product requires an electrical specification that is not in the table, speak to a Husqvarna service agent for more information.

Noise and vibration declaration statement

These declared values were obtained by laboratory type testing in accordance with the stated directive or standards and are suitable for comparison with the

declared values of other products tested in accordance with the same directive or standards. These declared values are not suitable for use in risk assessments and values measured in individual work places may be higher. The actual exposure values and risk of harm experienced by an individual user are unique and depend upon the way the user works, in what material the product is used, as well as upon the exposure time and the physical condition of the user, and the condition of the product.

Product dimensions



A	Lenght, mm/inch	2315/91
B	Width, mm/inch	1330/52
C	Height, mm/inch	1814/72

Contenido

Introducción.....	20	Mantenimiento.....	32
Seguridad.....	23	Solución de problemas.....	34
Instalación.....	26	Transporte, almacenamiento y eliminación de residuos.....	34
Funcionamiento.....	29	Datos técnicos.....	36

Introducción

Descripción del producto

El producto es un sistema de sujeción y amarre para depósitos de almacenamiento con techos flotantes. El producto solo se debe utilizar para la granalladora EBE 900 V.

Uso previsto

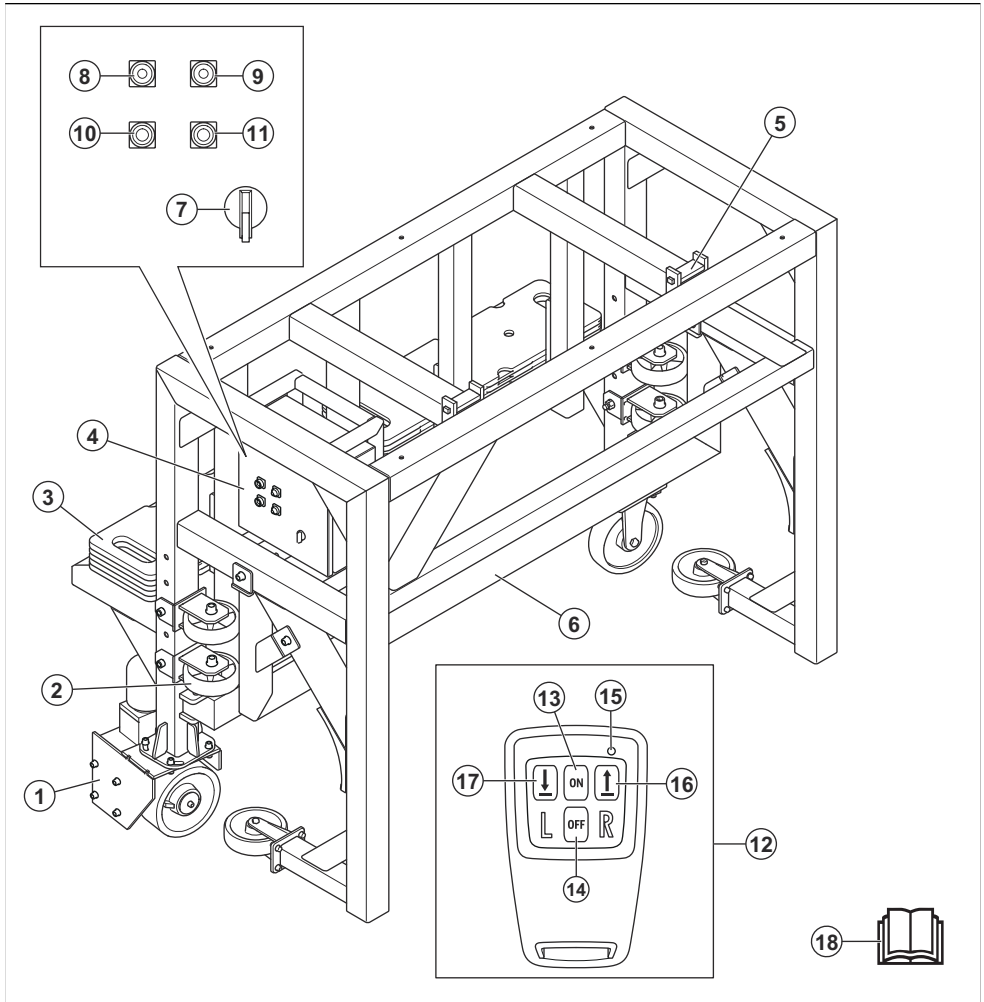
El producto se utiliza para mover la granalladora EBE 900 V a la izquierda y a la derecha a lo largo de

las superficies de acero verticales de los depósitos de almacenamiento. El producto se puede operar con un control remoto.

Los operadores profesionales utilizan el producto en operaciones comerciales.

No utilice el producto para otras tareas.

Descripción general del producto



1. Unidad de accionamiento
2. Ruedas de soporte
3. Contrapesos
4. Carcasa eléctrica y panel de control
5. Suspensiones para cables de acero
6. Viga de seguridad
7. Interruptor ON/OFF
8. Indicador verde para la tensión de control
9. Indicador rojo para falla de la secuencia de fase
10. Botón de movimiento a la izquierda
11. Botón de movimiento a la derecha
12. Control remoto
13. Botón ON
14. Botón OFF
15. LUZ LED
16. Botón de movimiento a la derecha
17. Botón de movimiento a la izquierda
18. Manual de usuario

Símbolos en el producto



Advertencia: Este producto puede ser peligroso y provocar lesiones graves o fatales al usuario o a otras personas.

Tenga cuidado y utilice el producto correctamente.



Alta tensión.



Punto de elevación del producto.



Lea atentamente el manual y asegúrese de que entiende las instrucciones antes de usar el producto.



Utilice casco protector, protectores auriculares, protección ocular y protección respiratoria aprobados.



Utilice guantes protectores homologados.



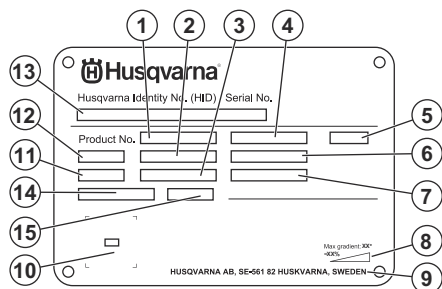
Utilice botas de protección aprobadas.



Este producto cumple con las directivas de la UE aplicables.

Tenga en cuenta: Otros símbolos o etiquetas en el producto hacen referencia a requisitos de certificación especiales para algunos mercados.

Placa de características



1. Número de la máquina
2. Peso del producto
3. Potencia nominal
4. Voltaje nominal
5. Gabinete
6. Corriente nominal
7. Frecuencia
8. Ángulo máximo de pendiente
9. Fabricante
10. Código escaneable
11. Año de fabricación
12. Modelo
13. Número de serie
14. Elevación de carga de trabajo
15. Valor de elevación de carga de trabajo

Daños en el producto

No somos responsables de los daños a nuestro producto en los siguientes casos:

- el producto se repara incorrectamente
- el producto se repara con piezas que no son del fabricante o que este no autoriza
- el producto tiene un accesorio que no es del fabricante o que este no autoriza
- el producto no se repara en un centro de servicio autorizado o por una autoridad aprobada.

Seguridad

Definiciones de seguridad

Las advertencias, precauciones y notas se utilizan para señalar las piezas particularmente importantes del manual.



ADVERTENCIA: Se utilizan para señalar el riesgo de lesiones graves o mortales para el operador o para aquellos que se encuentren cerca si no se siguen las instrucciones del manual.



AVISO: Se utilizan para señalar el riesgo de dañar la máquina, otros materiales o el área adyacente si no se siguen las instrucciones del manual.

Tenga en cuenta: Se utilizan para entregar más información necesaria en situaciones particulares.

Instrucciones generales de seguridad



ADVERTENCIA: Lea atentamente las instrucciones de advertencia siguientes antes de usar el producto.

- Este producto puede ser una herramienta peligrosa si no se maneja con cuidado o si utiliza el producto de forma incorrecta. Este producto puede causar daños graves o fatales al operador o a otras personas. Antes de utilizar el producto, es muy importante que lea y comprenda el contenido de este manual de usuario.
- Este producto no está diseñado para que personas (incluidos niños) con capacidades físicas, sensoriales o mentales reducidas, o con falta de experiencia y conocimientos, lo utilicen.
- Guarde todas las advertencias y las instrucciones.
- Cumpla todas las leyes y reglamentos vigentes.
- El operador y el empleador del operador deben conocer y evitar los riesgos durante la operación del producto.
- No permita que nadie que no haya leído y comprendido el contenido del manual de usuario utilice el producto.
- No utilice el producto si no ha recibido capacitación antes de su uso. Asegúrese de que todos los usuarios reciban capacitación.
- No deje que un niño utilice el producto.
- Restrinja el uso del producto solo a personas autorizadas.
- El operador es responsable de los accidentes que puedan ocurrirles a otras personas o a sus propiedades.
- No utilice el producto si está cansado, enfermo o bajo la influencia de alcohol, drogas o medicamentos.
- Sea siempre cuidadoso y use el sentido común.
- Mantenga el producto limpio. Asegúrese de que puede leer señales y etiquetas claramente.
- No utilice el producto si está dañado o si no funciona correctamente.
- No modifique este producto.
- No utilice el producto si es posible que otras personas hayan realizado modificaciones en el mismo.

Instrucciones de seguridad para el funcionamiento



ADVERTENCIA: Lea atentamente las instrucciones de advertencia siguientes antes de usar el producto.

- Utilice equipo de protección personal. Consulte *Equipo de protección personal en la página 24*.
- No utilice el producto sin que todas las cubiertas protectoras estén instaladas.
- No utilice el producto para levantar personas ni otros objetos que no sean la granalladora.
- Manténgase detrás del producto a una distancia segura y con una vista clara del producto cuando lo opere.
- No se ubique debajo del producto.
- No utilice este producto en madera.
- Asegúrese de saber cómo detener el producto rápidamente en caso de emergencia.
- No opere el producto en pasos demasiado pequeños. El uso del producto en pasos demasiado pequeños puede causar daños al producto.
- Antes de alejarse del producto, deténgalo y desconecte el cable de alimentación. Asegúrese de que no haya riesgo de arranque accidental.
- Asegúrese de que ninguna prenda, cabello largo o joya puedan quedar atrapados en las piezas móviles.
- Asegúrese de encontrarse en una posición segura y estable durante la operación.
- Verifique que no haya pernos ni tuercas sueltos.
- Siempre utilice accesorios aprobados. Comuníquese con su distribuidor Husqvarna para obtener más información.
- Asegúrese de que no haya grasa ni aceite en las manillas.
- Asegúrese de que no haya hielo en el producto. El hielo tiene un efecto negativo en la función del producto y cambia la estructura del material.
- Mantenga los productos químicos alejados del producto.

- No suelde en el producto ni en los cables de acero.
- No utilice el producto a menos que sea capaz de pedir ayuda en caso de accidente.
- No utilice el producto si no puede recibir ayuda en caso de que ocurra un accidente.

Equipo de protección personal



ADVERTENCIA: Lea atentamente las instrucciones de advertencia siguientes antes de usar el producto.

- Utilice siempre el equipo de protección personal aprobado cuando utilice el producto. El equipo de protección personal no puede impedir el riesgo de lesiones, pero disminuirá el grado de lesión si ocurre un accidente. Solicite a su distribuidor que lo ayude a seleccionar el equipo de protección personal correcto y que le indique cuándo usarlo.
- Realice periódicamente una comprobación del estado del equipo de protección personal.
- Utilice un casco protector aprobado.
- Utilice protección auricular aprobada.
- Utilice protección respiratoria aprobada.
- Utilice protección ocular aprobada con protección lateral.
- Use guantes protectores.
- Utilice botas con punta de acero y suela antideslizante.
- Utilice ropa de trabajo aprobada o ropa equivalente de ajuste ceñido, que cubra por completo los brazos y las piernas.

Extintor de incendios

- Mantenga un extintor de incendios a mano durante la operación.
- Utilice un extintor de incendios de polvo o un extintor de dióxido de carbono.

Seguridad en el área de trabajo



ADVERTENCIA: Lea atentamente las instrucciones de advertencia siguientes antes de usar el producto.

- Es responsabilidad del usuario analizar la superficie que se va a tratar. El usuario debe realizar una evaluación de riesgos en función de la información obtenida de la superficie que se va a tratar y tomar las precauciones adecuadas para el trabajo que se realizará.
- No use el producto en condiciones de niebla, lluvia, viento fuerte, clima frío, riesgo de rayos u otras condiciones climáticas adversas.
- Tenga cuidado con personas, objetos y situaciones que puedan impedir el funcionamiento seguro del producto.

- No utilice el producto en áreas donde se pueden producir explosiones o fuego. El producto genera chispas, y los materiales inflamables pueden encenderse con el polvo o los vapores.
- Mantenga a los niños, los transeúntes y los animales alejados del área de trabajo y a una distancia segura del producto. La distancia segura es de 15 m/49 ft.
- Asegúrese de que solo personas autorizadas estén en el área de trabajo.
- Mantenga el área de trabajo limpia y totalmente iluminada. Las áreas desordenadas u oscuras propician los accidentes.
- Asegúrese de que no haya cables ni mangueras en la dirección de funcionamiento del producto.
- Asegúrese de que no haya obstáculos en los que el producto o la granalladora puedan quedar atrapados.
- Asegúrese de que las superficies irregulares, como las uniones soldadas o las juntas del piso, no detengan el producto.
- Asegúrese de que haya suficiente flujo de aire en el área de trabajo.
- Los usuarios que no permanecen a nivel del suelo cuando se ensambla el producto deben estar certificados para trabajar en altura y utilizar un sistema de protección contra caídas.
- Asegúrese de conocer la carga máxima de trabajo de la construcción que sostendrá el sistema de sujeción y el producto.

Seguridad eléctrica



ADVERTENCIA: Siempre existe el riesgo de recibir una descarga cuando se usan productos eléctricos. No utilice el producto en condiciones climáticas adversas. No toque los pararrayos ni los objetos metálicos. Utilice siempre el producto como se indica en este manual del usuario para evitar lesiones.



ADVERTENCIA: Utilice siempre una fuente de alimentación con un dispositivo de corriente residual (RCD). El dispositivo disminuye el riesgo de descarga eléctrica.



ADVERTENCIA: Alta tensión. Hay piezas sin protección en la unidad de alimentación. Desconecte siempre el enchufe de alimentación antes de abrir la puerta de la caja eléctrica.



AVISO: La fuente de alimentación del producto o el generador deben ser suficientes y constantes para asegurarse de que los motores funcionen sin problemas. La tensión incorrecta hace que el consumo

de energía y la temperatura de los motores aumenten hasta que se active el circuito de seguridad. Las dimensiones del cable de alimentación deben coincidir con las regulaciones nacionales y locales. Las dimensiones de la toma de corriente deben coincidir con el amperaje del enchufe eléctrico y el cable de extensión del producto.

Si el sistema de la red eléctrica tiene una resistencia más alta, puede ocurrir una breve caída de tensión cuando el producto se pone en marcha. Esto puede afectar el funcionamiento de otros productos; por ejemplo, el parpadeo de luces.

- El enchufe de alimentación debe coincidir con la toma de corriente. Nunca modifique el enchufe de ninguna forma. No utilice enchufes con adaptador con herramientas eléctricas conectadas a tierra. Los enchufes sin modificaciones y las tomas correspondientes reducen el riesgo de descarga eléctrica.
- Evite el contacto corporal con superficies conectadas a tierra, como tuberías, radiadores, estufas y refrigeradores. Existe un mayor riesgo de descarga eléctrica si su cuerpo está conectado a tierra.
- Asegúrese de que la alimentación, el fusible y el voltaje de la red eléctrica sean los mismos que se indican en la placa de características del producto.
- Detenga siempre el producto antes de desconectar el enchufe.
- Desconecte siempre el cable de alimentación antes de abrir el gabinete eléctrico.
- Asegúrese de que el interruptor ON/OFF esté en la posición OFF antes de que el producto se conecte a la fuente de alimentación.
- Desconecte siempre el enchufe de alimentación durante una detención prolongada del producto.
- No utilice el producto si el cable o el enchufe de alimentación se encuentran dañados. Solicite a un centro de servicio autorizado que repare el producto. Un cable de alimentación dañado puede causar daños graves e incluso la muerte.
- Utilice el cable de alimentación correctamente. No utilice el cable de alimentación para mover, tirar o desconectar el producto. Tire del enchufe de alimentación para desconectar el cable de alimentación. No tire del cable de alimentación.
- Opere el producto solo en superficies secas.
- Mantenga el producto alejado de la lluvia. El ingreso de agua en el producto aumenta el riesgo de descarga eléctrica.
- Asegúrese de desconectar siempre el cable de alimentación antes de conectar o desconectar la conexión del cable del motor y del gabinete eléctrico.

- A fin de evitar riesgos debido al restablecimiento involuntario del corte térmico, este aparato no debe recibir alimentación a través de un dispositivo de conmutación externo, como un temporizador, ni se debe conectar a un circuito que el suministro eléctrico enciende y apaga regularmente.
- Asegúrese de que la fuente de alimentación del producto sea suministrada por transformadores separados que se utilicen solo para fines industriales.

Instrucciones para la conexión a tierra del producto



ADVERTENCIA: Una conexión incorrecta puede provocar una descarga eléctrica. Hable con un electricista certificado si no tiene la seguridad de que el producto está correctamente conectado a tierra.

No modifique la especificación de fábrica del enchufe. Si el enchufe o el cable de alimentación está dañados o se debe reemplazar, hable con su agente de servicio de Husqvarna. Obedezca las normas y las leyes locales.

Si no comprende perfectamente las instrucciones sobre la conexión a tierra del producto, póngase en contacto con un electricista certificado.

Solo utilice cables de extensión para exteriores con conexión a tierra en conjunto con enchufes que tengan conexión a tierra, y use una toma de corriente con conexión a tierra que sea compatible con el enchufe del producto.

El producto cuenta con un cable de alimentación y un enchufe con conexión a tierra. Conecte siempre el producto a una toma de corriente con conexión a tierra. Esto disminuye el riesgo de descarga eléctrica.

No utilice adaptadores eléctricos para el producto.

Cables de extensión

- Utilice solamente cables de extensión aprobados que tengan las propiedades adecuadas.
- El valor nominal del cable de extensión debe ser el mismo que se establece en la placa de características del producto, o superior a este.
- Utilice cables de extensión con conexión a tierra.
- Cuando opere el producto en exteriores, utilice un cable de extensión apto para el uso en exteriores. Esto disminuye el riesgo de descarga eléctrica.
- Mantenga la conexión al cable de extensión seca y sin que toque el suelo.
- Mantenga el cable de extensión alejado del calor, el aceite, los bordes afilados o las piezas móviles. Los cables dañados aumentan el riesgo de descarga eléctrica.

- Asegúrese de que el cable de extensión esté intacto y en buenas condiciones.
- No utilice el cable de extensión mientras está enrollado. Esto puede provocar que el cable de extensión se caliente demasiado.
- Asegúrese de que el cable de extensión no estorbe y esté alejado del producto durante la operación. Esto evita que el cable de extensión sufra daños.

Dispositivos de seguridad en el producto



ADVERTENCIA: Lea atentamente las instrucciones de advertencia siguientes antes de usar el producto.

- No utilice un producto con dispositivos de seguridad dañados o que no funcionen correctamente.
- Revise los dispositivos de seguridad de forma regular. Si los dispositivos de seguridad están dañados o no funcionan correctamente, hable con su agente de servicio de Husqvarna.
- No realice modificaciones en los dispositivos de seguridad.

Interruptor ON/OFF

El interruptor ON/OFF se usa para iniciar y detener la alimentación del producto.

Para comprobar el interruptor ON/OFF

Consulte *Descripción general del producto en la página 21* para obtener más información sobre la ubicación de los interruptores ON/OFF en su producto.

1. Coloque el interruptor ON/OFF en la posición ON (I).
2. Asegúrese de que la luz indicadora de la tensión de control se encienda.
3. Gire el interruptor ON/OFF a la posición OFF (O).
4. Asegúrese de que la luz indicadora de la tensión de control se apague.

Instrucciones de seguridad para el mantenimiento



ADVERTENCIA: Lea atentamente las instrucciones de advertencia siguientes antes de usar el producto.

- Solo realice tareas de mantenimiento como se indica en el presente manual del usuario. Solicite que un taller de servicio autorizado realice todos los otros servicios.
- Si el mantenimiento no se realiza de manera correcta y regular, aumenta el riesgo de sufrir lesiones y causar daños en el producto.
- Limpie el producto para eliminar materiales peligrosos antes de realizar el mantenimiento.
- Realice el mantenimiento del producto en un terreno estable y nivelado. Asegúrese de que el producto no se mueva.
- No modifique el producto. Las modificaciones en el producto que no están aprobadas por el fabricante pueden causar daños graves o la muerte.
- Cambie las piezas dañadas, desgastadas o rotas.
- No use hidrolimpiadoras para limpiar el producto.
- Utilice solo paños de limpieza sin pelusa.
- Utilice siempre accesorios y piezas de repuesto originales. El uso de accesorios y piezas de repuesto que no estén aprobados por el fabricante puede causar daños graves o la muerte.
- Después de realizar el mantenimiento, revise el nivel de vibración del producto. Si no tiene el nivel correcto, comuníquese con un taller de servicio autorizado.
- Procure realizar las tareas de mantenimiento con regularidad en un taller de servicio aprobado.

Instalación

Presentación



ADVERTENCIA: Asegúrese de leer y comprender el capítulo de seguridad antes de instalar el producto.



ADVERTENCIA: Siempre use equipo de protección personal. Consulte *Equipo de protección personal en la página 24*.



ADVERTENCIA: Las personas que se encuentren en la parte superior de un depósito o por encima del nivel del suelo

deben estar aseguradas por un sistema de protección contra caídas con cuerda de seguridad. Siga las normativas locales aplicables.



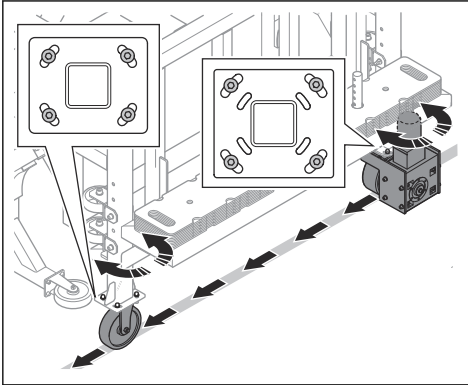
ADVERTENCIA: Asegúrese de que los cables de acero estén limpios y sin daños. Verifique la validez de los certificados de los cables de acero, el sistema de sujeción y los motores del cabrestante.



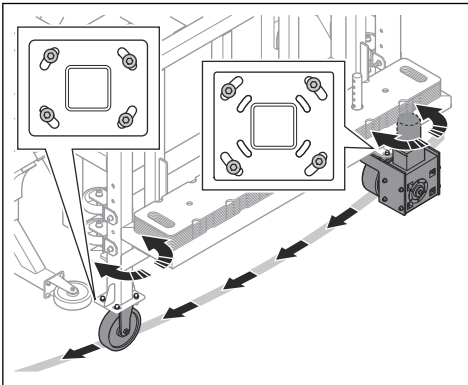
ADVERTENCIA: Cuando los operadores hayan armado el producto, deben bajar a nivel del suelo y mantener una distancia segura al producto.

Para ajustar las ruedas motrices al diámetro del depósito de almacenamiento

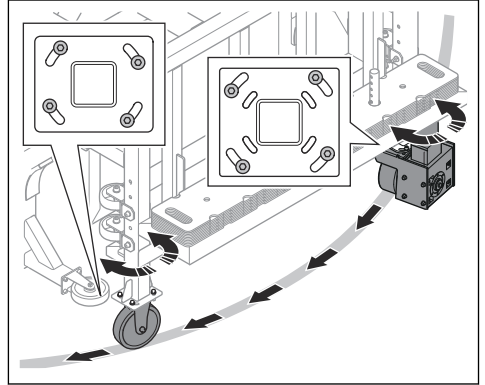
- Si el diámetro del depósito de almacenamiento es mayor que 25 m, ajuste las ruedas motrices en la posición recta.



- Si el diámetro del depósito de almacenamiento es de 15 a 25 m, ajuste las ruedas motrices en la posición central.



- Si el diámetro del depósito de almacenamiento es menor que 15 m, ajuste las ruedas motrices en la posición de giro máxima.

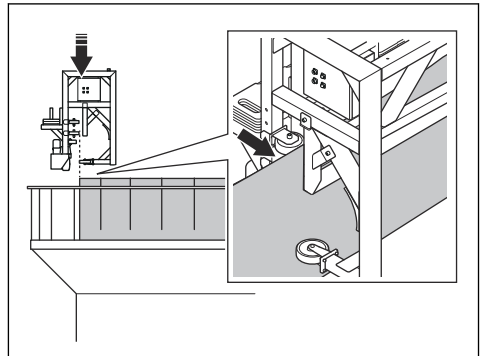


Para instalar el producto en un depósito de almacenamiento

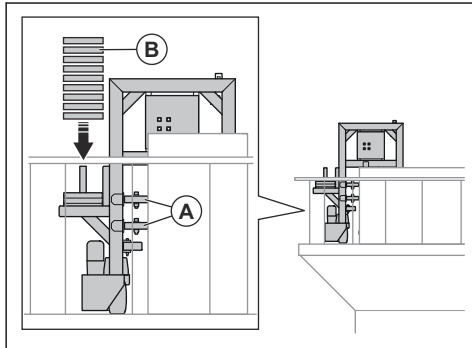


ADVERTENCIA: No permanezca por debajo del producto cuando lo instale.

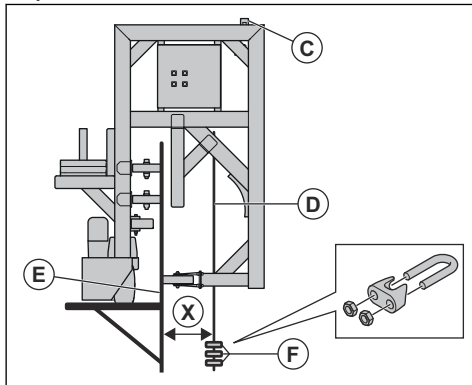
1. Levante el producto al techo del depósito de almacenamiento. Utilice el equipo de elevación correspondiente. Consulte *Para levantar el producto en la página 34*.



2. Instale las 4 ruedas de soporte (A). Utilice 1 perno M16x150, 2 arandelas M16 y 1 contratuerca M16 para instalar cada rueda de soporte.



3. Agregue contrapesos (B) al producto. Consulte *Para agregar y quitar contrapesos en la página 28*.
4. Instale los 2 cables de acero para la granalladora EBE 900 V en las 2 suspensiones (C) de los cables de acero.
5. Ajuste las 2 suspensiones de los cables de acero a la posición correcta en los tubos horizontales del bastidor. La posición correcta es cuando la distancia (X) entre el cable de acero (D) y la pared (E) del depósito de almacenamiento es de 349 mm. Utilice 2 pernos M20x180, 4 arandelas M20 y 2 contratuercas M20.



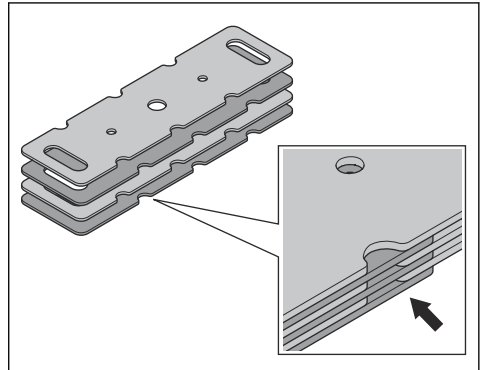
6. Instale las 6 abrazaderas (F) a la altura necesaria en los cables de acero. Las abrazaderas acoplan el interruptor de límite en la granalladora EBE 900 V.
7. Ajuste las ruedas motrices al radio del depósito de almacenamiento. Consulte *Para ajustar las ruedas motrices al diámetro del depósito de almacenamiento en la página 27*.

Para agregar y quitar contrapesos

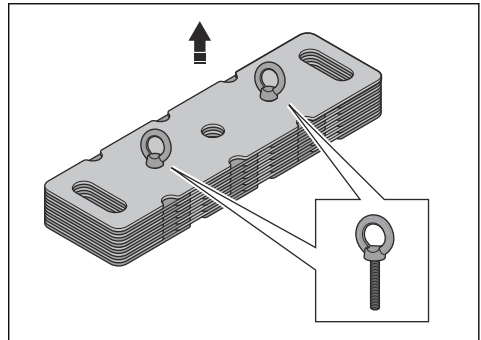


AVISO: No utilice demasiados contrapesos. El contrapeso total máximo permitido es de 600 kg. Esto equivale a 30 contrapesos.

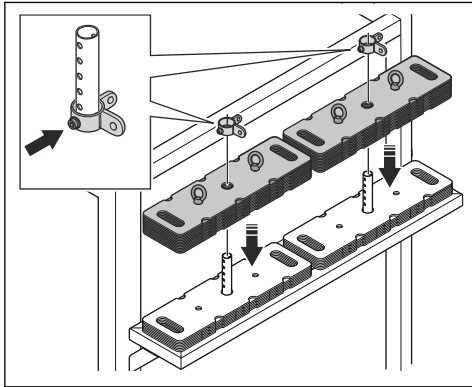
1. Coloque 12 contrapesos en dirección opuesta entre sí. Esto facilita la extracción de los contrapesos con un destornillador.



2. Conecte los cáncamos de elevación a los contrapesos. La longitud de los pernos en los cáncamos de elevación es suficiente para levantar 12 contrapesos a la vez.

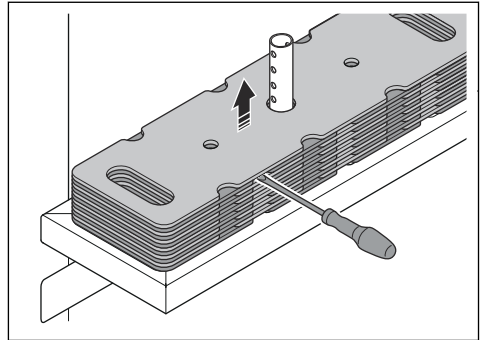


- Coloque los contrapesos en el estante de contrapesos del producto. Utilice los 4 cáncamos de elevación cuando levante los contrapesos sobre el estante de contrapesos.



- Instale los aros de sujeción y apriete los tornillos de ajuste.

- Quite los cáncamos de elevación.
- Para quitar un contrapeso, realice los siguientes pasos.
 - Quite los aros de sujeción.
 - Utilice un destornillador plano para levantar un poco el contrapeso antes de quitarlo.



Funcionamiento

Presentación



ADVERTENCIA: Asegúrese de leer y comprender el capítulo de seguridad antes de utilizar el producto.



ADVERTENCIA: Asegúrese de que las 6 abrazaderas de los cables de acero estén apretadas.

Haga lo siguiente antes de usar el producto

- Lea el manual del usuario de este producto, de la granalladora EBE 900 V y del colector de polvo atentamente, y asegúrese de entender las instrucciones.
- Si se utiliza un generador como fuente de energía para el producto, lea y comprenda el manual de usuario del generador.
- Utilice equipo de protección personal. Consulte *Equipo de protección personal en la página 24*.
- Realice una inspección visual del producto. Consulte *Para hacer una inspección visual en la página 29*.
- Revise que el producto esté montado correctamente y que no esté dañado.
- Asegúrese de que todos los pernos, tornillos y tuercas estén apretados.
- Realice un mantenimiento diario. Consulte *Programa de mantenimiento en la página 32*.

- Instale el producto en el depósito de almacenamiento. Consulte *Para instalar el producto en un depósito de almacenamiento en la página 27*.
- Asegúrese de que solo personas autorizadas estén en el área de trabajo.
- Asegúrese de que el interruptor ON/OFF esté en la posición OFF antes de conectar el producto a una fuente de alimentación.
- Conecte el producto a la fuente de alimentación. Consulte *Para conectar el producto a una fuente de alimentación en la página 30*.

Para hacer una inspección visual



ADVERTENCIA: No utilice el producto si la inspección visual indica daños o desgaste. Si no está seguro del estado del producto o del equipo de elevación, hable con una persona competente para realizar más inspecciones.



ADVERTENCIA: El agua de mar aumenta la velocidad del proceso de corrosión.



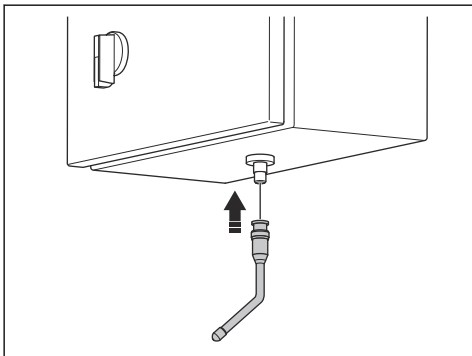
ADVERTENCIA: La arena, el polvo de hormigón y otras partículas aumentan la velocidad del proceso de desgaste.

- Asegúrese de que no haya suciedad ni daños.

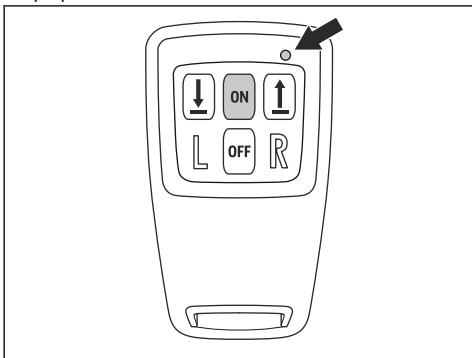
- Asegúrese de que no haya deformación. La deformación disminuye la resistencia del material.
- Asegúrese de que no haya corrosión.
- Asegúrese de que no haya hielo en el producto.
- Verifique que no haya pernos ni tuercas sueltos.
- Asegúrese de que no haya cojinetes ni ruedas desgastados.
- Examine todas las uniones soldadas para detectar grietas.
- Asegúrese de que no falte ninguna etiqueta y de que todas sean legibles.
- Examine los cables de acero en busca de desgaste y daños. Consulte el manual de usuario de la granalladora EBE 900 V.
- Asegúrese de que el equipo de elevación no tenga grietas, muescas, ranuras, corrosión ni decoloración por calor.

Para realizar una operación de emparejamiento entre el control remoto y el producto

1. Instale la antena del control remoto en la parte inferior de la carcasa eléctrica.



2. Presione el botón ON durante 3 segundos. El LED parpadea con una luz verde durante el inicio. Una vez completado el emparejamiento, el LED verde parpadea lentamente con una luz verde.

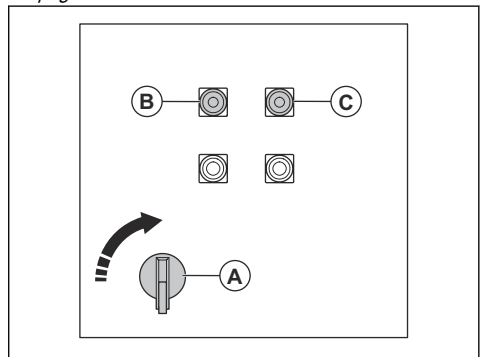


Para conectar el producto a una fuente de alimentación

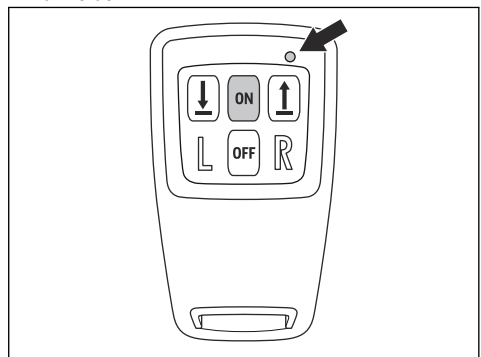
1. Conecte el enchufe de alimentación del producto a una toma de corriente con conexión a tierra u otra fuente de alimentación.
2. Asegúrese de que la tensión de la red de electricidad corresponda a la placa de características del producto.

Para poner en marcha el producto

1. Conecte el producto a la fuente de alimentación. Consulte *Para conectar el producto a una fuente de alimentación en la página 30*.
2. Coloque el interruptor ON/OFF (A) en la posición ON. Se enciende el indicador verde de tensión de control (B). Si se enciende el indicador rojo de falla de secuencia de fase (C), se debe cambiar la secuencia de fase en el enchufe de alimentación. Consulte *Para cambiar la secuencia de fase en la página 30*.



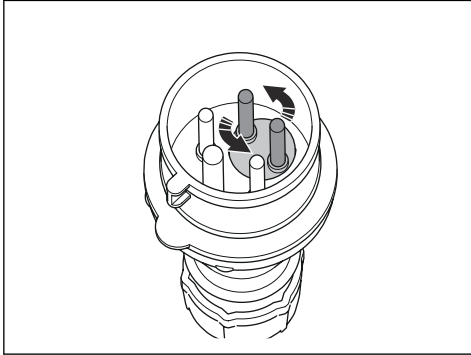
3. Presione el botón ON en el control remoto para iniciar el control remoto. El LED parpadea con una luz verde.



Para cambiar la secuencia de fase

1. Coloque el interruptor ON/OFF en la posición OFF.

- Desconecte el enchufe de alimentación de la fuente de alimentación.
- Gire los conectores en el enchufe de alimentación para cambiar la secuencia de fase.



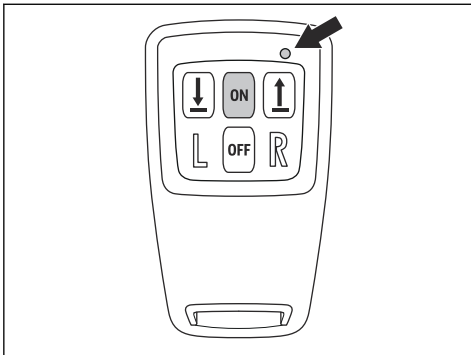
Para usar el producto con el control remoto

Tenga en cuenta: El control remoto se desenergiza automáticamente después de un tiempo si no se utiliza.

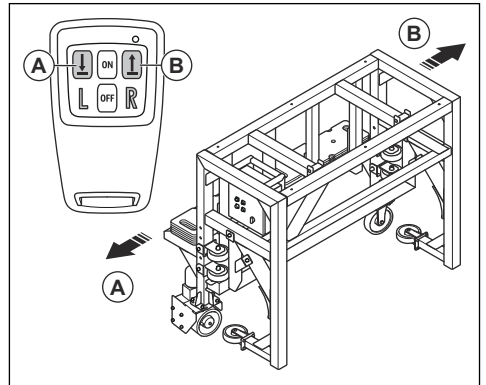


ADVERTENCIA: No utilice el producto al otro lado del cable de alimentación.

- Encienda el producto. Consulte *Para poner en marcha el producto en la página 30*.
- Realice una operación de emparejamiento entre el control remoto y el producto. Consulte *Para realizar una operación de emparejamiento entre el control remoto y el producto en la página 30*.
- Presione el botón ON en el control remoto para iniciar el control remoto. El LED parpadea con una luz verde.

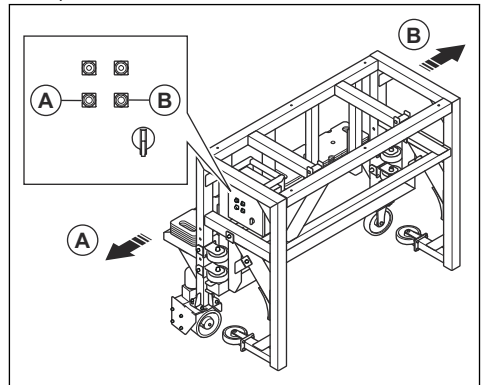


- Utilice los botones izquierdo y derecho para mover el producto hacia la izquierda o hacia la derecha.



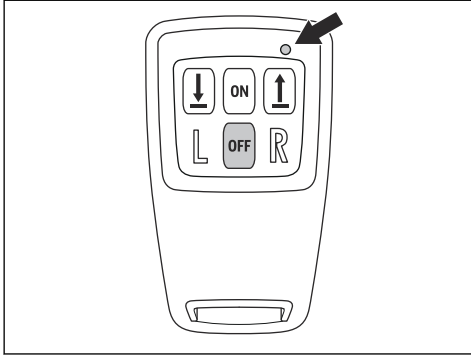
Para operar el producto con el panel de control

- Encienda el producto. Consulte *Para poner en marcha el producto en la página 30*.
- Utilice el botón izquierdo (A) para mover el producto hacia la izquierda y el botón derecho (B) para mover el producto hacia la derecha.

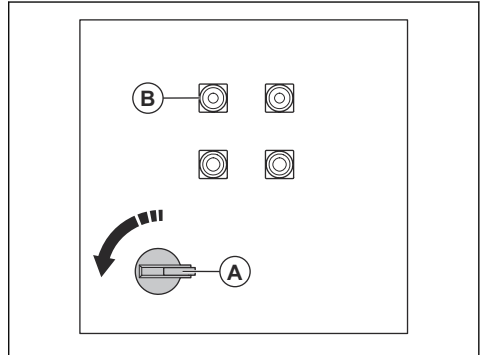


Para detener el producto

1. Presione el botón OFF en el control remoto durante 3 segundos. El LED parpadea en rojo antes de que el control remoto se apague.



2. Coloque el interruptor ON/OFF (A) en la posición OFF. El indicador verde de tensión de control (B) se apaga.



3. Desconecte el producto de la fuente de alimentación.

Mantenimiento

Presentación



ADVERTENCIA: Antes de realizar el mantenimiento, debe leer y entender el capítulo sobre seguridad.



ADVERTENCIA: Utilice el equipo de protección personal cuando realice el servicio y mantenimiento. Consulte *Equipo de protección personal en la página 24*.



ADVERTENCIA: Antes de realizar el mantenimiento, detenga el motor y desconecte el enchufe de alimentación de la fuente de alimentación. Asegúrese de que todas las unidades se detengan y deje que el producto se enfríe.



ADVERTENCIA: Realice el mantenimiento del producto en un terreno

estable y nivelado. Asegúrese de que el producto no se mueva.

Para todos los trabajos de mantenimiento y reparación del producto, se requiere capacitación especial. Garantizamos la disponibilidad de trabajos de mantenimiento y reparación profesionales. Si el concesionario no cuenta con un taller de servicio, pídale información acerca del taller de servicio más cercano.

Para obtener información más detallada, consulte www.husqvarnaconstruction.com.

Programa de mantenimiento

* = Mantenimiento general por parte del operador. Las instrucciones no se proporcionan en este manual de usuario.

X = Las instrucciones se proporcionan en este manual de usuario.

O = Las instrucciones no se proporcionan en este manual de usuario. Solicite a un taller de servicio autorizado que realice el mantenimiento.

Mantenimiento general del producto	Cada 50 h	A diario	Anualmente
Asegúrese de que todos los pernos, las tuercas y los tornillos estén apretados. Repítalo 12 horas después del mantenimiento y las reparaciones.		*	
Revise los componentes eléctricos, los cables y todas las conexiones para ver si están desgastados o dañados.		*	
Revise el motor eléctrico para ver si está desgastado o dañado.		*	
Limpie las piezas internas de la caja eléctrica.		*	

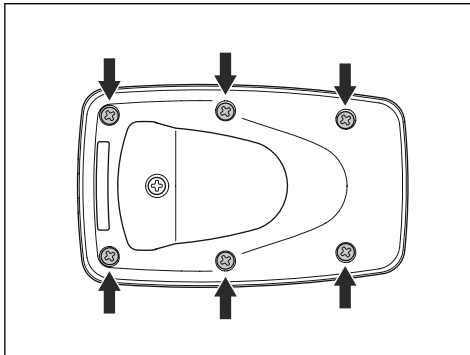
Mantenimiento general del producto	Cada 50 h	A diario	Anualmente
Compruebe el RCD.		*	
Lleve a cabo el mantenimiento del control remoto. Consulte el manual de fabricante del control remoto.	*	*	*
Reemplace el filtro de ventilación de la caja eléctrica.	*		
Inspeccione el motor de accionamiento y las ruedas de soporte.	*		
Realice una inspección visual del producto y del equipo de elevación.		X	
Limpie la máquina.		X	
Revise los dispositivos de seguridad del producto.		X	
Realice un mantenimiento y una limpieza completos del producto.			O
Pida a una persona aprobada que realice una inspección del producto y de los dispositivos de seguridad de este.			O
Lubrique los cables de acero.		X	

Para limpiar el producto

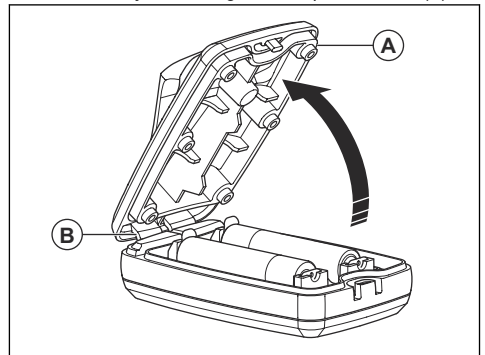
- Siempre limpie todos los equipos después de utilizarlos. Utilice una aspiradora.
- No use limpiadores de alta presión para limpiar el producto.
- Mantenga las aberturas de aire limpias y despejadas para asegurarse de que la temperatura del producto sea siempre lo suficientemente fría.

Para reemplazar las baterías del control remoto

1. Retire los 6 tornillos.



2. Levante con cuidado la parte superior (A) de la cubierta de la batería y retírela. La cubierta de la batería se fija con bisagras en la parte inferior (B).



3. Reemplace las baterías. Para conocer el tipo de batería correcto, consulte *Datos técnicos en la página 36*.
4. Fije las bisagras en la parte inferior de la cubierta de la batería y empuje hacia abajo la parte superior de la cubierta de la batería.
5. Instale los 6 tornillos y apriételos a 1 Nm.

Para lubricar los cables de acero



AVISO: No lubrique los cables de acero con lubricantes que contengan disulfuro de molibdeno (MoS2) o PTFE. Utilice grasa o aceite multiuso estándar.

1. Retire los cables de acero del producto. Asegúrese de colocar los cables de acero en una superficie limpia.
2. Limpie los cables de acero con un paño que no deje pelusa.
3. Lubrique los cables de acero

Solución de problemas

Para reiniciar el producto después de una falla de funcionamiento

1. Baje el producto al suelo o a un palé.
2. Coloque el interruptor ON/OFF en la posición OFF.

3. Presione el botón OFF en el control remoto.
4. Espere 15 segundos y, a continuación, coloque el interruptor ON/OFF en la posición ON y encienda el control remoto.

Resolución de problemas del control remoto

Problema	Causa	Solución
El LED está en rojo.	La tensión en las baterías es baja.	Reemplace las baterías. Consulte <i>Para reemplazar las baterías del control remoto en la página 33.</i>
El LED parpadea lentamente en rojo 3 veces.	Las baterías están vacías.	Reemplace las baterías. Consulte <i>Para reemplazar las baterías del control remoto en la página 33.</i>
El LED parpadea rápidamente en rojo.	La salida en el receptor no está en funcionamiento y no hay señal del receptor.	Realizar una operación de emparejamiento. Consulte <i>Para realizar una operación de emparejamiento entre el control remoto y el producto en la página 30.</i>

Transporte, almacenamiento y eliminación de residuos

Transporte



ADVERTENCIA: Tenga cuidado durante el transporte. El producto es pesado y puede causar lesiones o daños si se cae o se mueve durante el transporte.



AVISO: No remolque el producto detrás de un vehículo.

- Asegúrese de que la fuente de alimentación esté desconectada durante el transporte.
- Para el transporte, levante el producto para moverlo o súbalo a un vehículo.
- No levante el producto si está dañado. Asegúrese de que los cáncamos estén correctamente instalados y de que no estén dañados.
- Utilice siempre la velocidad más baja cuando levante el producto.
- Los cables del equipo de elevación deben estar tensos antes de levantar el producto del suelo.

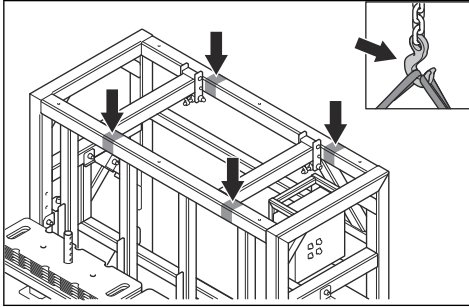
- No camine ni permanezca por debajo del producto cuando esté levantado. Mantenga a los transeúntes alejados del área de trabajo.
- Asegúrese de que pueda ver el producto y el área de trabajo cuando levante el producto.
- Coloque protección en el producto durante el transporte. La protección impide que los elementos naturales, como la lluvia y la nieve, entren en contacto con el producto.

Para levantar el producto



ADVERTENCIA: Solo levante el producto con equipos de elevación adecuados.

- Fije el equipo de elevación a los 4 puntos de elevación del producto.



Para fijar el producto a un vehículo de transporte

Utilice los puntos de elevación para fijar el producto al vehículo de transporte.

1. Coloque las correas de sujeción en los puntos de elevación.
2. Fije y apriete las correas de sujeción al vehículo de transporte.

Almacenamiento



AVISO: No almacene el producto a la luz solar directa. Siempre mantenga el producto en interiores.

- Mantenga el producto en un almacenamiento fresco y seco con un flujo de aire adecuado.
- No deje el producto en el suelo, permita que el producto cuelgue por encima de este.
- Limpie el producto y realice un mantenimiento completo antes de almacenarlo.
- Si va a almacenar los cables de acero, las cadenas y otro equipo de elevación de acero, tome medidas para evitar la corrosión.
- Mantenga el producto en un área cerrada para evitar que los niños u otras personas sin autorización puedan acceder a él.

Eliminación del producto

- Obedezca las regulaciones vigentes y requisitos de reciclaje locales.
- Cuando el producto ya no se use, envíelo al distribuidor Husqvarna o deséchelo en un lugar de reciclaje.

Datos técnicos

	RIGG 900 FI
Peso, excl. el contrapeso, kg/lb	580/1279
Peso, incl. el contrapeso máx., kg/lb	980/2161
Dimensiones del producto (L×An×Al), mm/in	2315×1330×1815/91×52×72
Tensión nominal, V	400-460
Frecuencia nominal, Hz	50/60
Conexión eléctrica	16 A, 5 polos
Consumo de energía, motor de accionamiento, kW	0,18
Velocidad, m/min/ft/min	0-9/0-30
Carga de trabajo máxima, kg/lb	1300/2866
Coefficiente de prueba dinámico	1,1
Coefficiente de prueba estático	1,25
Nivel sonoro, dB(A)	<70
Control remoto	
Tipo de batería	2 baterías alcalinas AA/LR06
Banda de frecuencias, MHz	869
Separación de canales, kHz	25
Sensibilidad funcional	Mejor que -107 dBm BER 10 ⁻⁴
Principio de transmisión	GMSK, TDMA
Clase IP	IP67
Temperatura ambiente permitida, °C/°F	0-45/32-113
Temperatura de almacenamiento, °C/°F	-40-+85/-40-+185

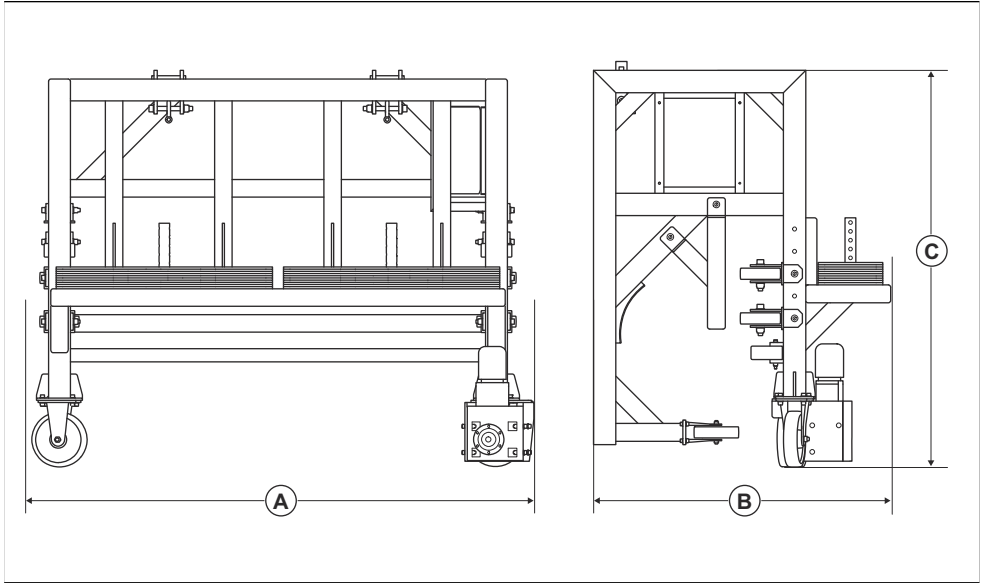
Tenga en cuenta: Si su producto requiere una especificación eléctrica que no aparece en la tabla, comuníquese con un taller de servicio Husqvarna para obtener más información.

Declaración de ruido y vibración

Estos valores declarados se obtuvieron mediante pruebas de laboratorio, en conformidad con la directiva o las normas declaradas, y son adecuados para

compararlos con los valores declarados de otros productos probados en conformidad con la misma directiva o normas. Estos valores declarados no son adecuados para su uso en evaluaciones de riesgos, y los valores medidos en lugares de trabajo individuales pueden ser superiores. Los valores de exposición reales y el riesgo de daños que experimente un usuario individual son únicos y dependen de la forma en que el usuario trabaja, del material en que se utiliza el producto, así como del tiempo de exposición y el estado físico del usuario, y del estado del producto.

Dimensiones del producto



A	Longitud, mm/in	2315/91
B	Anchura, mm/in	1330/52
C	Altura, mm/in	1814/72

Table des matières

Introduction.....	38	Entretien.....	50
Sécurité.....	41	Dépannage.....	52
Installation.....	44	Transport, entreposage et mise au rebut.....	52
Fonctionnement.....	47	Caractéristiques techniques.....	54

Introduction

Description du produit

Le produit est un système de gréage pour les réservoirs de stockage dotés de toits flottants. Le produit ne doit être utilisé que pour la grenailleuse EBE 900 V.

Utilisation prévue

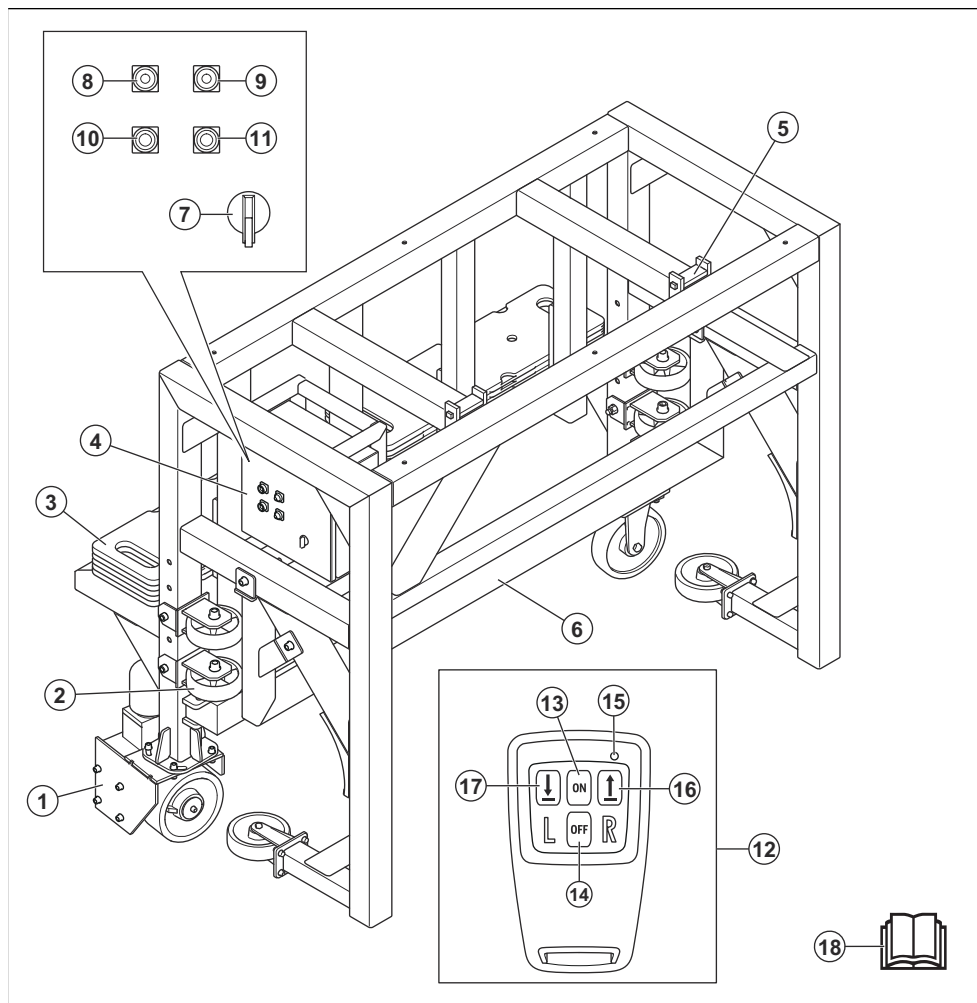
Le produit est utilisé pour déplacer la grenailleuse EBE 900 V vers la gauche et la droite le long des surfaces

verticales en acier des réservoirs de stockage. Le produit peut être utilisé à l'aide d'une télécommande.

Le produit est utilisé dans les opérations commerciales par des opérateurs professionnels.

Ne pas utiliser l'outil pour d'autres tâches.

Aperçu du produit



1. Unité d'entraînement
2. Roues de support
3. Contrepoids
4. Boîtier électrique et panneau de commande
5. Suspensions pour câble en acier
6. Barre de sécurité
7. Interrupteur de marche/arrêt
8. Voyant vert de tension de commande
9. Voyant rouge d'échec de séquence de phase
10. Bouton de déplacement vers la gauche
11. Bouton de déplacement vers la droite
12. Télécommande

13. Bouton ON
14. Bouton OFF
15. DEL
16. Bouton de déplacement vers la droite
17. Bouton de déplacement vers la gauche
18. Manuel d'utilisation

Symboles concernant le produit



Avertissement : Ce produit peut être dangereux et causer des blessures très graves, ou même mortelles, à l'utilisateur

et à d'autres personnes. Faire attention et utiliser le produit correctement.



Haute tension.



Point de levage du produit.



Lisez avec attention le manuel d'utilisation et assurez-vous de bien comprendre les instructions avant d'utiliser ce produit.



Porter un casque de protection et des protections pour les oreilles, les yeux et les voies respiratoires homologués.



Utiliser des gants de protection homologués.



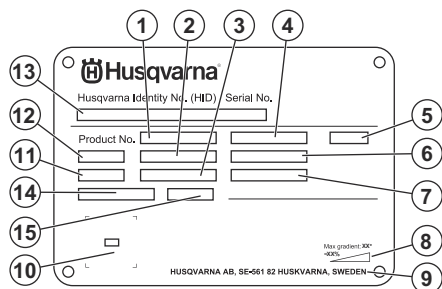
Porter des bottes de protection homologuées.



Ce produit est conforme aux normes CE applicables.

Remarque : les autres symboles/autocollants présents sur le produit concernent des exigences de certification spécifiques à certains marchés.

Plaque signalétique



1. Numéro du produit
2. Poids du produit
3. Puissance nominale
4. Tension nominale
5. Boîtier
6. Intensité nominale
7. Fréquence
8. Angle de pente maximal
9. fabricant
10. Code à numériser
11. Année de production
12. Modèle
13. Numéro de série
14. Levage de charge de travail
15. Levage de charge de travail de valeur

Produit endommagé

Nous ne sommes pas responsables des dommages causés à notre produit si :

- Le produit n'est pas réparé de façon adéquate.
- Le produit est réparé avec des pièces qui ne sont pas fournies ou homologuées par le fabricant.
- Le produit comprend un accessoire qui n'est pas fourni ou homologué par le fabricant.
- Le produit n'est pas réparé par un centre de service après-vente agréé ou par une autorité homologuée.

Sécurité

Définitions relatives à la sécurité

Les avertissements, recommandations et remarques soulignent des points du manuel qui revêtent une importance particulière.



AVERTISSEMENT : Indique la présence d'un risque de blessure ou de décès de l'utilisateur ou de personnes à proximité si les instructions du manuel ne sont pas suivies.



MISE EN GARDE : Indique la présence d'un risque de dommages au produit, à d'autres appareils ou à la zone adjacente si les instructions du manuel ne sont pas suivies.

Remarque : Utilisé pour donner des renseignements plus détaillés qui sont nécessaires dans une situation donnée.

Consignes générales de sécurité



AVERTISSEMENT : Lire les messages d'avertissement qui suivent avant d'utiliser l'appareil.

- Ce produit est un outil dangereux s'il est utilisé de façon insouciant ou inappropriée. Cet outil peut causer des blessures graves, ou même mortelles, à l'utilisateur et à d'autres personnes. Il est obligatoire de lire et de comprendre le contenu de ce manuel d'utilisation avant d'utiliser l'outil.
- Le produit n'est pas destiné à être utilisé par des enfants ou des personnes aux capacités physiques, sensorielles ou mentales limitées ou manquant d'expérience et de connaissances.
- Conserver tous les avertissements et toutes les instructions.
- Se conformer à toutes les lois et réglementations en vigueur.
- L'utilisateur et l'employeur de l'utilisateur doivent connaître et prévenir les risques liés à l'utilisation du produit.
- Ne pas laisser une personne utiliser le produit à moins qu'elle ait lu et compris le contenu de ce manuel d'utilisation.
- Ne pas faire fonctionner le produit sans avoir reçu une formation relative à son fonctionnement. S'assurer que tous les utilisateurs reçoivent une formation.
- Ne pas laisser un enfant utiliser l'outil.

- Seules les personnes autorisées peuvent utiliser le produit.
- L'utilisateur est responsable des accidents survenus à d'autres personnes ou à leurs biens.
- Ne pas utiliser le produit en cas de fatigue ou sous l'emprise de l'alcool, de drogues ou de médicaments.
- Toujours rester prudent et faire preuve de bon sens.
- Toujours garder le produit propre. S'assurer de pouvoir lire clairement les signes et les autocollants.
- Ne pas utiliser le produit s'il est endommagé ou s'il ne fonctionne pas correctement.
- Ne pas modifier ce produit.
- Ne pas utiliser le produit s'il est possible que d'autres personnes aient apporté des modifications à celui-ci.

Consignes de sécurité pour l'utilisation



AVERTISSEMENT : lisez les instructions qui suivent avant d'utiliser le produit.

- utilisez un équipement de protection individuelle. Se reporter à la section *Équipement de protection personnelle* à la page 42.
- Ne pas faire fonctionner le produit sans tous les dispositifs de protection et couvercles installés.
- N'utilisez pas le produit pour soulever des personnes ou d'autres objets que la grenailleuse .
- Restez derrière le produit en respectant une distance de sécurité et conservez une vue dégagée sur le produit lorsque vous l'utilisez.
- Ne restez pas sous le produit.
- N'utilisez pas le produit sur du bois.
- S'assurer de savoir comment arrêter rapidement le produit en cas d'urgence.
- Ne pas utiliser le produit par bonds trop petits. L'utilisation fréquente du produit par petits incréments peut endommager le produit.
- Avant de vous éloigner du produit, éteignez-le et débranchez le cordon d'alimentation. S'assurer qu'il n'y a pas de risque de démarrage accidentel.
- Assurez-vous que des vêtements, cheveux longs et bijoux ne peuvent pas se coincer dans les pièces en mouvement
- S'assurer d'être dans une position stable et sécuritaire au cours du travail.
- S'assurer qu'il n'y a pas de boulons et d'écrous desserrés.
- Utilisez uniquement des accessoires homologués. Pour plus d'informations, contactez votre revendeur Husqvarna.

- Vérifiez l'absence d'huile ou de graisse sur les poignées.
- Assurez-vous qu'il n'y a pas de glace sur le produit. La glace a un effet négatif sur le fonctionnement du produit et modifie la structure du matériau.
- Éloignez les substances chimiques du produit.
- Ne pas souder sur le produit ou sur les câbles en acier.
- Ne pas utiliser ce produit s'il est impossible d'appeler de l'aide en cas d'accident.
- Ne pas utiliser l'outil s'il n'est pas possible d'obtenir de l'aide en cas d'accident.
- Ne pas utiliser le produit dans le brouillard, la pluie, le vent violent, par temps froid, en cas de risque d'orage ou dans d'autres mauvaises conditions météorologiques.
- Identifiez les éventuels personnes, objets et situations susceptibles de nuire à la sécurité du fonctionnement du produit.
- Ne pas utiliser ce produit dans des zones où un incendie ou des explosions peuvent se produire. Le produit provoque des étincelles et des matières inflammables peuvent mettre le feu à la poussière ou aux vapeurs.
- Tenir les enfants, les passants et les animaux à l'écart de la zone de travail et à une distance sécuritaire du produit. La distance de sécurité est de 15 m/49 pi.
- S'assurer que seules les personnes autorisées se trouvent dans la zone de travail.
- Veillez à ce que la zone de travail reste propre et correctement éclairée. Les endroits sombres ou encombrés sont propices aux accidents.
- S'assurer qu'aucun câble ni tuyau ne se trouve sur la trajectoire du produit.
- Assurez-vous qu'il n'y a pas d'obstacles sur lesquels le produit ou la grenailleuse peut s'accrocher.
- S'assurer que les surfaces inégales, comme les joints soudés ou les joints de plancher, n'arrêteront pas le produit.
- Assurez-vous qu'il y ait une circulation d'air suffisante dans la zone de travail.
- Les opérateurs qui ne restent pas au niveau du sol lors de l'assemblage du produit doivent être certifiés pour travailler en hauteur et utiliser un système de protection antichute.
- Veillez à bien connaître la charge de travail maximale de la construction qui soutiendra le système de rétention et le produit.

Équipement de protection personnelle



AVERTISSEMENT : lisez les instructions qui suivent avant d'utiliser le produit.

- Toujours utiliser un équipement de protection personnelle homologué lors de l'utilisation de l'outil. Cet équipement de protection personnelle n'élimine pas complètement les risques de blessures, mais il peut en réduire la gravité en cas d'accident. Le revendeur aidera l'utilisateur à sélectionner les équipements de protection personnelle adéquats et indiquera comment les utiliser.
- Vérifier régulièrement l'état de l'équipement de protection personnelle.
- Porter un casque de protection approuvé.
- Utilisez des protège-oreilles homologués.
- Utiliser un dispositif de protection respiratoire homologué.
- Porter un dispositif de protection pour les yeux homologué avec écrans latéraux.
- Porter des gants de protection.
- Utiliser des bottes à embout en acier et semelles antidérapantes.
- Porter des vêtements de travail homologués ou des vêtements ajustés équivalents avec des manches longues et des pantalons.

Extincteur

- Garder un extincteur à proximité pendant le sciage.
- Utiliser un extincteur à poudre ou à dioxyde de carbone.

Sécurité de l'aire de travail



AVERTISSEMENT : lisez les instructions qui suivent avant d'utiliser le produit.

- Il incombe à l'utilisateur d'analyser la surface à traiter. L'utilisateur doit effectuer une évaluation des risques sur la base des informations obtenues sur la surface à traiter et prendre les précautions appropriées pour le travail à effectuer.



AVERTISSEMENT : les produits électriques présentent toujours un risque d'électrocution. N'utilisez pas le produit dans de mauvaises conditions météorologiques. Ne touchez pas de paratonnerres ni d'objets métalliques. Utilisez toujours le produit comme indiqué dans ce manuel d'utilisation pour éviter les blessures.



AVERTISSEMENT : Utilisez toujours une alimentation avec un dispositif de protection contre les courants résiduels (RCD). L'utilisation d'un RCD permet de réduire le risque de choc électrique.



AVERTISSEMENT : Haute tension.

L'unité électrique contient des pièces non protégées. Débranchez toujours le produit de la fiche d'alimentation avant d'ouvrir la porte du boîtier électrique.



MISE EN GARDE : L'alimentation

électrique du produit ou du générateur doit être suffisamment puissante et constante pour que les moteurs puissent fonctionner sans problème. Une tension incorrecte entraîne une augmentation de la consommation d'énergie et de la température des moteurs jusqu'à ce que le circuit de sécurité se déclenche. La dimension du cordon d'alimentation doit être conforme aux réglementations nationales et locales. Les dimensions de la prise de courant murale doivent être conformes à l'ampérage de la prise électrique et du câble de rallonge du produit.

Si la résistance du secteur est plus élevée, de brèves chutes de tension peuvent se produire au démarrage du produit. Cela peut influencer sur le fonctionnement d'autres produits et occasionner par exemple le scintillement de l'éclairage.

- La fiche d'alimentation doit être adaptée à la prise. Ne jamais modifier la fiche. Ne jamais utiliser une fiche d'adaptation avec un outil électrique mis à la terre. Les fiches non modifiées et les prises adaptées à la fiche permettent de réduire les risques d'électrocution.
- Évitez tout contact physique avec les surfaces mises à la terre telles que les tuyaux, les radiateurs, les cuisinières et les réfrigérateurs. Le risque d'électrocution est plus important si le corps est relié à la terre.
- S'assurer que l'alimentation, le fusible et la tension de secteur correspondent à la valeur indiquée sur la plaque signalétique du produit.
- Arrêtez toujours le produit avant de débrancher la fiche d'alimentation.
- Débrancher toujours la source d'alimentation avant d'ouvrir le boîtier électrique.
- Assurez-vous que l'interrupteur Marche/Arrêt est en position d'arrêt avant de brancher le produit sur l'alimentation électrique.
- Débranchez toujours la fiche d'alimentation en cas d'arrêt prolongé du produit.
- N'utilisez pas le produit si le cordon d'alimentation ou la fiche d'alimentation sont endommagés. Faites réparer le produit par un centre d'entretien agréé. Un cordon d'alimentation endommagé peut provoquer des blessures graves, voire mortelles.
- Utilisez le cordon d'alimentation correctement. N'utilisez pas le cordon d'alimentation pour déplacer,

tirer ou débrancher le produit. Tirez sur la fiche d'alimentation pour débrancher le câble d'alimentation. Ne pas tirer le cordon d'alimentation.

- Utilisez uniquement le produit sur des surfaces sèches.
- Tenez le produit à l'abri de la pluie. L'eau qui entre dans le produit augmente le risque d'électrocution.
- Débranchez toujours de cordon d'alimentation avant de brancher ou débrancher la connexion du câble du moteur et du boîtier électrique.
- Afin d'éviter tout danger dû à une réinitialisation accidentelle du disjoncteur thermique, cet appareil ne doit pas être alimenté par un dispositif de commutation externe, tel qu'une minuterie, ou connecté à un circuit régulièrement mis sous et hors tension par le fournisseur d'électricité.
- Assurez-vous que l'alimentation électrique du produit est fournie par des unités d'alimentation électrique distinctes qui sont utilisées à des fins industrielles uniquement.

Instructions de mise à la terre du produit



AVERTISSEMENT : Un mauvais branchement peut engendrer un risque d'électrocution. Communiquer avec un électricien certifié en cas de doute sur la mise à la terre de la prise d'alimentation secteur.

Ne pas modifier la spécification d'usine de la fiche d'alimentation. Si la fiche d'alimentation ou le cordon d'alimentation est endommagé ou doit être remplacé, consultez avec votre atelier spécialisé Husqvarna. Respecter les lois et règlements locaux.

Si on ne comprend pas bien les instructions de mise à la terre du produit, communiquer avec un électricien agréé.

N'utiliser que des câbles de rallonge d'extérieur mis à la terre dotés de fiches mises à la terre et des prises mises à la terre compatibles avec la fiche d'alimentation du produit.

Le produit est doté d'un cordon d'alimentation et d'une fiche d'alimentation mis à la terre. Toujours brancher le produit sur une prise d'alimentation secteur mise à la terre. Cela réduit le risque de choc électrique.

Ne pas utiliser d'adaptateurs électriques avec le produit.

Rallonges

- Utiliser uniquement des câbles de rallonge approuvés dotés des caractéristiques appropriées.
- La valeur nominale inscrite sur la rallonge doit être identique ou supérieure à celle indiquée sur la plaque signalétique du produit.
- Utiliser des rallonges mises à la terre.

- Quand le produit est utilisé à l'extérieur, se servir d'une rallonge qui convient à un fonctionnement à l'extérieur. Cela réduit le risque de choc électrique.
- Maintenir la connexion à la rallonge au sec et éloignée du sol.
- Tenir la rallonge à l'écart de la chaleur, de l'huile, des bords tranchants et des pièces mobiles. Un câble endommagé augmente le risque de choc électrique.
- S'assurer que la rallonge est en bon état et qu'elle n'est pas endommagée.
- Ne pas utiliser la rallonge quand elle est enroulée. Elle pourrait surchauffer.
- S'assurer que le câble de rallonge ne se trouve pas sur le passage de la machine en marche. Cela évite d'endommager la rallonge.

3. Tourner l'interrupteur de marche/arrêt à la position OFF (0).
4. S'assurer que le voyant de la tension de commande s'éteint.

Consignes de sécurité pour l'entretien



AVERTISSEMENT : Lire les messages d'avertissement qui suivent avant d'utiliser l'appareil.

- N'effectuer que les travaux d'entretien indiqués dans ce manuel d'utilisation. Laisser un agent d'entretien agréé effectuer toutes les autres opérations d'entretien.
- Si la maintenance n'est pas effectuée correctement et régulièrement, le risque de blessures et de dommages sur l'outil augmente.
- Nettoyer le produit pour éliminer les matières dangereuses avant d'effectuer la maintenance.
- S'assurer d'effectuer l'entretien du produit sur un sol horizontal stable. S'assurer que le produit ne peut pas se déplacer.
- Ne pas apporter de modifications à ce produit. Toute modification non approuvée par le fabricant peut entraîner des blessures graves, voire mortelles.
- Remplacer les pièces endommagées, usées ou brisées.
- Ne pas utiliser un nettoyeur à pression pour nettoyer le produit.
- Utiliser uniquement des chiffons de nettoyage non pelucheux.
- Toujours utiliser des accessoires et des pièces de rechange d'origine. Les accessoires et les pièces de rechange qui ne sont pas approuvés par le fabricant peuvent causer des blessures graves, voire mortelles.
- Après l'entretien, vérifier le niveau de vibrations du produit. En cas de problème, communiquer avec un atelier spécialisé agréé.
- Demander à un agent d'entretien agréé d'effectuer régulièrement l'entretien de l'outil.

Dispositifs de sécurité sur l'outil



AVERTISSEMENT : Lire les messages d'avertissement qui suivent avant d'utiliser l'appareil.

- Ne pas utiliser le produit si les dispositifs de sécurité sont endommagés ou s'ils ne fonctionnent pas correctement.
- Vérifier régulièrement les dispositifs de sécurité. Si les dispositifs de sécurité sont endommagés ou ne fonctionnent pas correctement, communiquez avec votre atelier spécialisé Husqvarna.
- Ne pas modifier les dispositifs de sécurité.

Interrupteur ON/OFF (arrêt/marche)

L'interrupteur de marche/arrêt sert à démarrer et arrêter l'alimentation du produit.

Vérification de l'interrupteur ON/OFF (Marche-Arrêt)

Se reporter à la section *Aperçu du produit à la page 39* pour obtenir des renseignements sur l'emplacement de l'interrupteur de marche/arrêt sur votre produit.

1. Tourner l'interrupteur de marche/arrêt à la position ON (I).
2. S'assurer que le voyant de la tension de commande s'allume.

Installation

Introduction



AVERTISSEMENT : Assurez-vous de lire et de comprendre le chapitre dédié à la sécurité avant d'installer le produit.



AVERTISSEMENT : Utilisez toujours un équipement de protection personnelle. Se reporter à la section

Équipement de protection personnelle à la page 42.



AVERTISSEMENT : les personnes qui se trouvent en haut d'un réservoir ou au-dessus du niveau du sol doivent être sécurisées par la ligne de vie d'un système de protection antichute. Respectez les réglementations en vigueur.



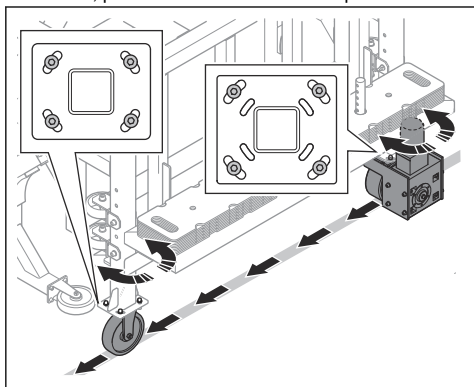
AVERTISSEMENT : vérifiez que les câbles en acier sont propres et intacts. Assurez-vous que les certificats des câbles en acier, du système de rétention et des moteurs de treuil sont valides.



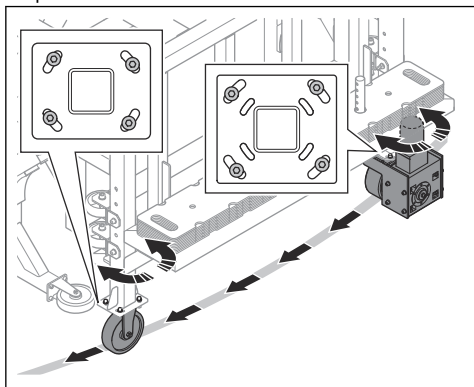
AVERTISSEMENT : une fois que les opérateurs ont assemblé le produit, ils doivent descendre au niveau du sol et s'éloigner à une distance de sécurité du produit.

Pour régler les roues d'entraînement en fonction du diamètre du réservoir de stockage

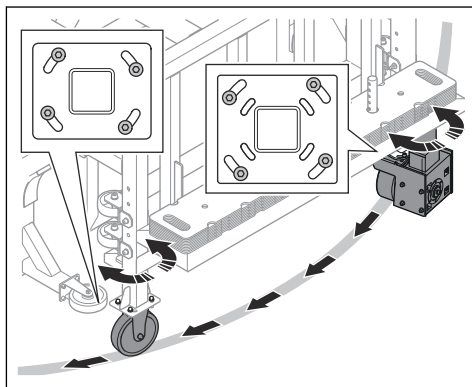
- Si le diamètre du réservoir de stockage est supérieur à 25 m, placez les roues motrices en position droite.



- Si le diamètre du réservoir de stockage est compris entre 15 et 25 m, placez les roues motrices en position centrale.



- Si le diamètre du réservoir de stockage est inférieur à 15 m, régler les roues d'entraînement à la position de rotation maximale.

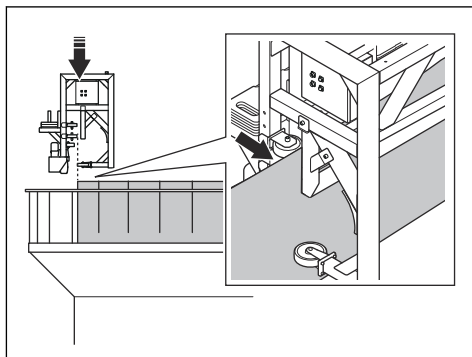


Pour installer le produit sur un réservoir de stockage

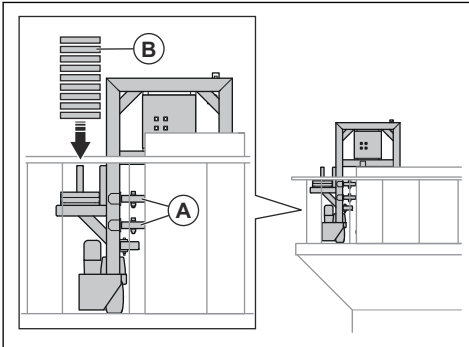


AVERTISSEMENT : Ne restez pas sous le produit lors de son installation.

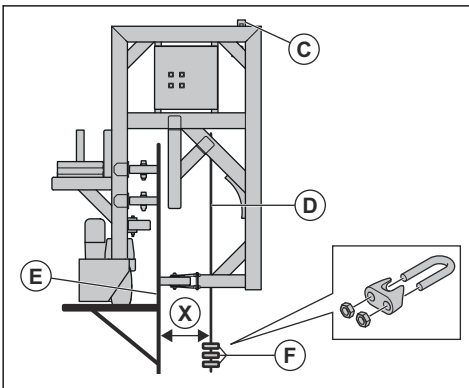
1. Levez le produit jusque sur le toit du réservoir de stockage. Utilisez un équipement de levage adapté. Se reporter à la section *Levage du produit* à la page 52.



2. Installez les 4 roues de support (A). Utilisez un boulon 1 M16 x 150, deux rondelles M16 et un contre-écrou M16 pour installer chaque roue de support.



3. Ajoutez des contreponds (B) au produit. Se reporter à la section *Pour ajouter et retirer des contreponds à la page 46*.
4. Installez les 2 câbles en acier pour la grenailleuse EBE 900 V dans les 2 suspensions pour câbles en acier (C).
5. Réglez les 2 suspensions à la bonne position sur les tubes horizontaux du cadre. La bonne position est lorsque la distance (X) entre le câble d'acier (D) et la paroi (E) du réservoir de stockage est de 349 mm. Utilisez deux boulons M20x180, quatre rondelles M20 et deux contre-écrous M20.



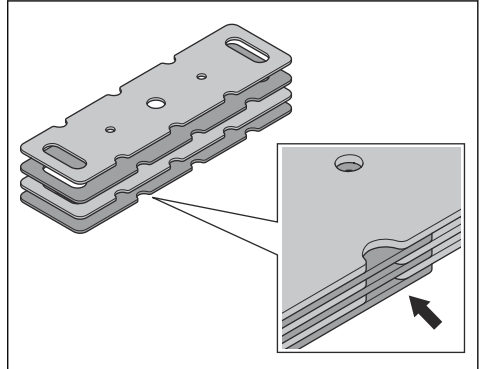
6. Installez les 6 colliers à la hauteur nécessaire sur les câbles en acier. Les colliers fixent l'interrupteur de fin de course sur la grenailleuse EBE 900 V.
7. Réglez les roues d'entraînement sur le diamètre du réservoir de stockage. Se reporter à la section *Pour régler les roues d'entraînement en fonction du diamètre du réservoir de stockage à la page 45*.

Pour ajouter et retirer des contreponds

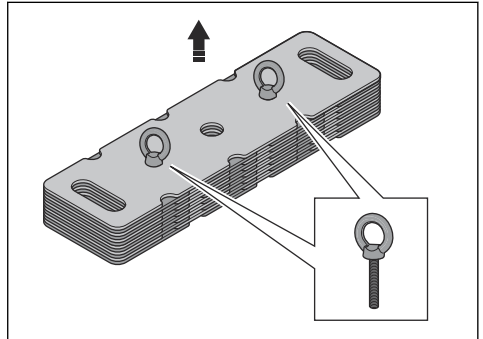


MISE EN GARDE : N'utilisez pas trop de contreponds. Le total maximal des contreponds autorisé est de 600 kg. Ce qui correspond à 30 contreponds.

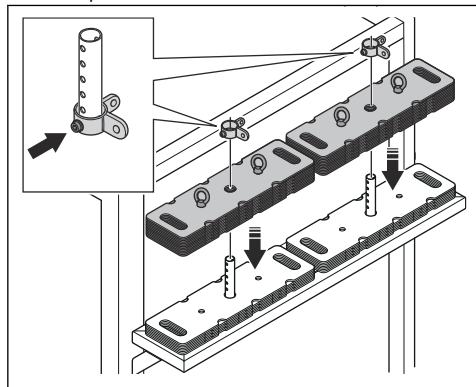
1. Placez 12 contreponds chacun dans le sens opposé à l'autre. Cela facilite le retrait des contreponds avec un tournevis.



2. Fixez les anneaux de levage aux contreponds. La longueur des boulons sur les anneaux de levage est suffisante pour soulever 12 contreponds à la fois.

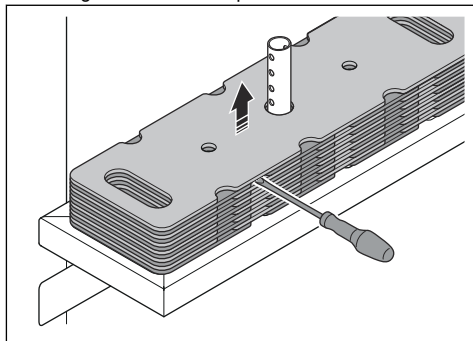


- Placez les contrepoids sur le support de contrepoids du produit. Utilisez les 4 anneaux de levage pour soulever les contrepoids jusqu'au support de contrepoids.



- Installez les bagues de serrage et serrez les trois vis de réglage.

- Retirez les anneaux de levage.
- Pour retirer un contrepoids, suivez les étapes ci-dessous.
 - Retirez les bagues de serrage.
 - Utilisez un tournevis plat pour soulever légèrement le contrepoids avant de le retirer.



Fonctionnement

Introduction



AVERTISSEMENT : Lire et comprendre le chapitre sur la sécurité avant d'utiliser le produit.



AVERTISSEMENT : S'assurer que les 6 colliers des câbles en acier sont serrés.

Avant d'utiliser le produit

- Lire attentivement le manuel d'utilisation de ce produit, de la grenailleuse EBE 900 V et du collecteur de poussière, et veiller à bien comprendre les directives.
- Si une génératrice est utilisée comme source d'alimentation pour le produit, lire et comprendre le manuel de l'opérateur de la génératrice.
- Utiliser un équipement de protection personnelle. Se reporter à la section *Équipement de protection personnelle à la page 42*.
- Effectuer une inspection visuelle du produit. Se reporter à la section *Pour effectuer une inspection visuelle à la page 47*.
- S'assurer que le produit est correctement monté et qu'il n'est pas endommagé.
- S'assurer que toutes les vis, tous les écrous et tous les boulons sont bien serrés.
- Effectuer l'entretien quotidien. Se reporter à la section *Calendrier d'entretien à la page 50*.

- Installer le produit sur le réservoir de stockage. Se reporter à la section *Pour installer le produit sur un réservoir de stockage à la page 45*.
- S'assurer que seules les personnes autorisées se trouvent dans la zone de travail.
- S'assurer que l'interrupteur de marche/arrêt est à la position OFF (arrêt) avant de brancher le produit à une source d'alimentation.
- Brancher le produit à une source d'alimentation. Se reporter à la section *Pour brancher le produit à une source d'alimentation à la page 48*.

Pour effectuer une inspection visuelle



AVERTISSEMENT : Ne pas utiliser le produit si l'inspection visuelle révèle des signes de dommages ou d'usure. En cas de doute sur l'état du produit ou de l'équipement de levage, consulter une personne compétente pour effectuer d'autres inspections.



AVERTISSEMENT : L'eau de mer augmente la vitesse du processus de corrosion.



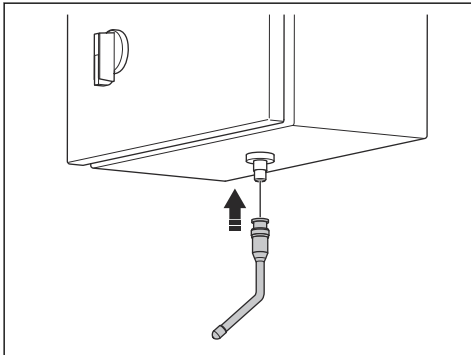
AVERTISSEMENT : Le sable, la poussière de béton et les autres particules augmentent la vitesse du processus d'usure.

- S'assurer qu'il n'y a pas de dommages ou d'usure.

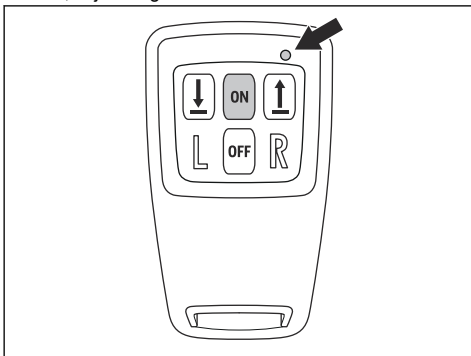
- S'assurer qu'il n'y a aucune déformation. La déformation diminue la résistance du matériau.
- S'assurer qu'il n'y a pas de corrosion.
- S'assurer qu'il n'y a pas de glace sur le produit.
- S'assurer qu'il n'y a pas de boulons ou d'écrous desserrés.
- S'assurer qu'aucun palier ni aucune roue ne sont usés.
- Vérifier qu'aucun joint soudé n'est fissuré.
- S'assurer qu'aucune étiquette n'est manquante et que toutes les étiquettes sont lisibles.
- Examinez le câble en acier à l'affût de signes d'usure ou de dommages. Se reporter au manuel de l'opérateur de la grenailleuse EBE 900 V.
- S'assurer que l'équipement de levage ne présente pas de fissures, d'encoches, de rainures, de corrosion ou de décoloration thermique.

Pour effectuer un jumelage entre la télécommande et le produit

1. Installer l'antenne de la télécommande au bas du boîtier électrique.



2. Appuyer sur le bouton ON (marche) pendant trois secondes. Le voyant clignote en vert au cours du démarrage. Lorsque le voyant clignote lentement en vert, le jumelage est effectué.

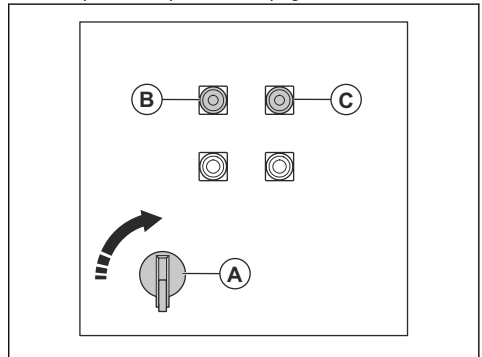


Pour brancher le produit à une source d'alimentation

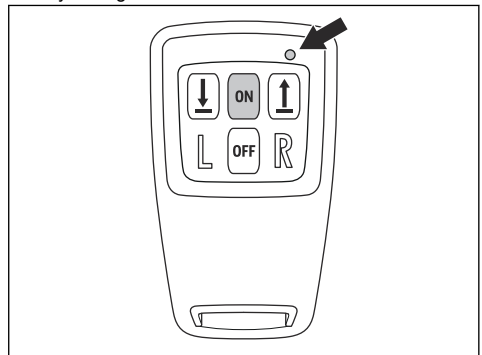
1. Brancher la fiche d'alimentation du produit à une prise secteur mise à la terre ou à une autre source d'alimentation.
2. Vérifier que la tension de secteur correspond à la valeur indiquée sur la plaque d'identification du produit.

Mise sous tension de l'appareil

1. Brancher le produit à une source d'alimentation. Se reporter à la section *Pour brancher le produit à une source d'alimentation à la page 48*.
2. Placer l'interrupteur de marche/arrêt (A) à la position ON (marche). Le voyant vert de la tension de commande (B) s'allume. Si le voyant rouge de défaillance de la séquence de phases (C) s'allume, la séquence de phases de la fiche d'alimentation doit être modifiée. Se reporter à la section *Pour modifier la séquence de phases à la page 48*.



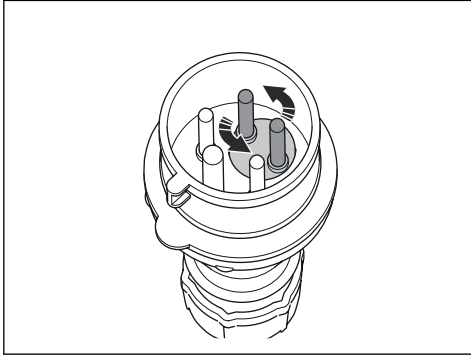
3. Appuyer sur le bouton ON (marche) de la télécommande pour démarrer cette dernière. Le voyant clignote en vert.



Pour modifier la séquence de phases

1. Placer l'interrupteur de marche/arrêt à la position ON (marche).

2. Débrancher la fiche d'alimentation de la source d'alimentation.
3. Tourner les connecteurs dans la fiche d'alimentation pour changer la séquence de phases.



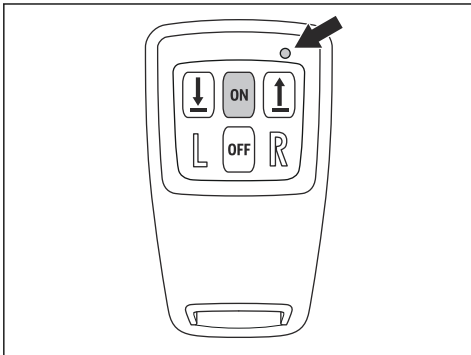
Utiliser le produit à l'aide de la télécommande

Remarque : La télécommande est automatiquement mise hors tension après un certain temps si elle n'est pas utilisée.

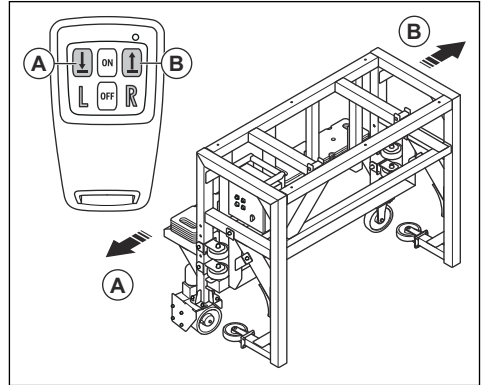


AVERTISSEMENT : Ne faites pas passer le produit sur le câble d'alimentation.

1. Démarrer le produit. Se reporter à la section *Mise sous tension de l'appareil à la page 48*.
2. Effectuer le jumelage entre la télécommande et le produit. Se reporter à la section *Pour effectuer un jumelage entre la télécommande et le produit à la page 48*.
3. Appuyer sur le bouton ON (marche) de la télécommande pour démarrer cette dernière. La LED clignote en vert.

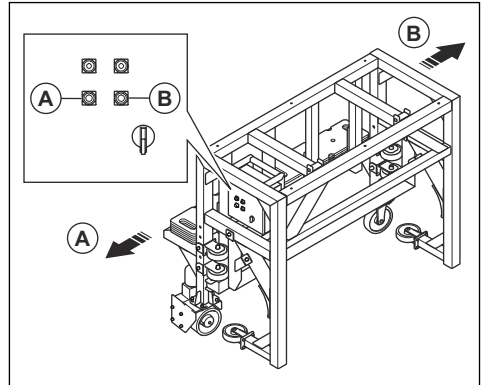


4. Utilisez les boutons gauche et droit pour déplacer le produit vers la gauche ou vers la droite.



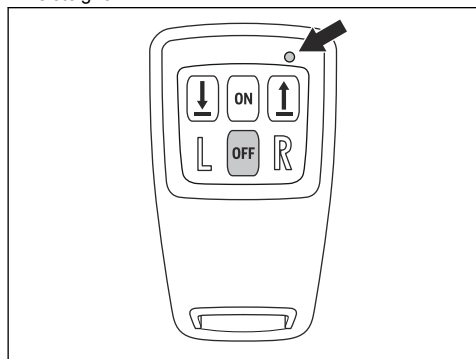
Pour faire fonctionner le produit au moyen du panneau de commande

1. Démarrer le produit. Se reporter à la section *Mise sous tension de l'appareil à la page 48*.
2. Utiliser le bouton gauche (A) pour déplacer le produit vers la gauche et le bouton droit (B) pour déplacer le produit vers la droite.

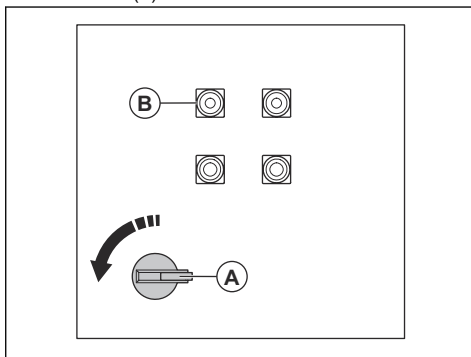


Arrêt de la machine

1. Appuyer sur le bouton OFF (arrêt) de la télécommande pendant trois secondes. Le voyant clignote en rouge avant que la télécommande ne s'éteigne.



2. Placer l'interrupteur de marche/arrêt (A) à la position OFF (arrêt). Le voyant vert de la tension de commande (B) s'éteint.



3. Débrancher le produit de la source d'alimentation.

Entretien

Introduction



AVERTISSEMENT : Avant de procéder à l'entretien, lire et bien comprendre le chapitre sur la sécurité.



AVERTISSEMENT : utilisez un équipement de protection individuel lors de l'entretien. Se reporter à la section *Équipement de protection personnelle à la page 42*.



AVERTISSEMENT : avant d'effectuer l'entretien, arrêtez le moteur et débranchez la fiche de l'alimentation électrique. Assurez-vous que tous les entraînements s'arrêtent et laissez le produit refroidir.



AVERTISSEMENT : Effectuez l'entretien du produit sur un sol de niveau et

stable. Assurez-vous que le produit ne peut pas bouger.

Une formation spécifique est nécessaire pour effectuer tous les travaux d'entretien et de réparation du produit. La disponibilité des réparations et des entretiens effectués de façon professionnelle est garantie. Si votre revendeur n'est pas un atelier spécialisé, demandez-lui des informations à propos de l'atelier spécialisé le plus proche.

Pour des informations plus détaillées, reportez-vous à www.husqvarnaconstruction.com.

Calendrier d'entretien

* = Entretien général effectué par l'opérateur. Les instructions ne sont pas décrites dans ce manuel d'utilisation.

X = Les instructions sont décrites dans ce manuel d'utilisation.

O = Les instructions ne sont pas mentionnées dans ce manuel d'utilisation. Faites réaliser l'entretien par un agent d'entretien agréé.

Entretien général du produit	Toutes les 50 h	Quotidien	Une fois par an
S'assurer que les vis, les boulons et les écrous sont bien serrés. Faire aussi cela 12 h après l'entretien et les réparations.		*	
Vérifier que les composants électriques, les câbles et tous les raccords ne sont pas usés ou endommagés.		*	
Vérifier si le moteur électrique est usé ou endommagé.		*	

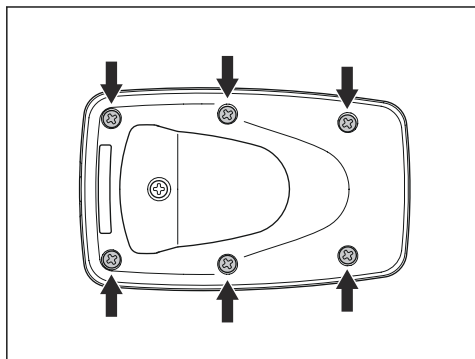
Entretien général du produit	Toutes les 50 h	Quotidien	Une fois par an
Nettoyez l'intérieur du boîtier électrique.		*	
Vérifier le système de fonctionnement en marche arrière (RCD).		*	
Procédez à l'entretien de la télécommande. Reportez-vous au manuel du fabricant de la télécommande.	*	*	*
Remplacez le filtre de ventilation du boîtier électrique.	*		
Effectuer une inspection du moteur d'entraînement et des roues de support.	*		
Effectuer une inspection visuelle du produit et de l'équipement de levage.		X	
Nettoyez le produit.		X	
Vérifier les dispositifs de sécurité du produit.		X	
Effectuer l'entretien et le nettoyage complet du produit.			O
Laisser une personne approuvée effectuer une inspection du produit et des dispositifs de sécurité sur celui-ci.			O
Lubrifier les câbles en acier.		X	

Nettoyage de la machine

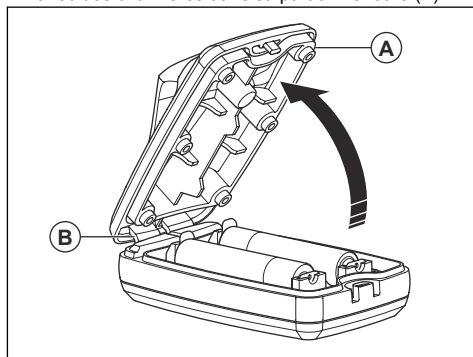
- Toujours nettoyer l'ensemble de l'équipement après utilisation. Utiliser un aspirateur.
- Ne pas utiliser un nettoyeur haute pression pour nettoyer le produit.
- Maintenir les ouvertures d'air propres et dégagées pour s'assurer que le produit a toujours une température suffisamment froide.

Pour retirer les piles de la télécommande

1. Retirer les 6 vis.



2. Soulever avec précaution le dessus (A) du couvercle de piles et le retirer. Le couvercle de piles est fixé avec des charnières dans sa partie inférieure (B).



3. Remplacer les piles. Pour connaître le type de pile approprié, se reporter à *Caractéristiques techniques à la page 54*.
4. Fixer les charnières au bas du couvercle de piles et appuyer sur le haut du couvercle.
5. Poser les 6 vis et les serrer à 1 Nm.

Pour lubrifier les câbles en acier



MISE EN GARDE : ne lubrifiez pas les câbles en acier avec des lubrifiants contenant du bisulfure de molybdène (MoS2) ou du PTFE. Utilisez une huile ou de la graisse multi-usage standard.

1. Retirer les câbles en acier du produit. S'assurer de placer les câbles en acier sur une surface propre.
2. Nettoyer les câbles en acier avec un chiffon non pelucheux.
3. Lubrifier les câbles en acier

Dépannage

Pour réinitialiser le produit après une défaillance de fonctionnement

1. Déplacer le produit au sol ou sur une palette.
2. Régler l'interrupteur de marche/arrêt à la position d'arrêt OFF.
3. Appuyer sur le bouton OFF (arrêt) de la télécommande.
4. Attendre 15 secondes, puis régler l'interrupteur de marche/arrêt à ON (marche) et démarrer la télécommande.

Dépannage de la télécommande

Problème	Causes	Solution
Le voyant est rouge.	La tension des piles est faible.	Remplacer les piles. Se reporter à la section <i>Pour retirer les piles de la télécommande à la page 51.</i>
Le voyant clignote lentement en rouge trois fois.	Les piles sont déchargées.	Remplacer les piles. Se reporter à la section <i>Pour retirer les piles de la télécommande à la page 51.</i>
Le voyant clignote rapidement en rouge.	La sortie du récepteur n'est pas en fonction et il n'y a pas de signal du récepteur.	Pour effectuer un jumelage. Se reporter à la section <i>Pour effectuer un jumelage entre la télécommande et le produit à la page 48.</i>

Transport, entreposage et mise au rebut

Transport



AVERTISSEMENT : Être prudent lors du transport. Le produit est lourd et peut provoquer des blessures ou être endommagé en cas de chute ou de déplacement lors du transport.



MISE EN GARDE : Ne pas remorquer le produit derrière un véhicule.

- Assurez-vous que l'alimentation électrique est débranchée avant le transport.
- Pour le transport, soulevez le produit pour le déplacer ou le placer sur un véhicule.
- ne soulevez pas un produit endommagé. S'assurer que les anneaux de levage sont correctement installés et en bon état.
- Toujours utiliser la vitesse la plus faible pour le levage du produit.
- Les câbles de l'équipement de levage doivent être tendus avant de soulever le produit.

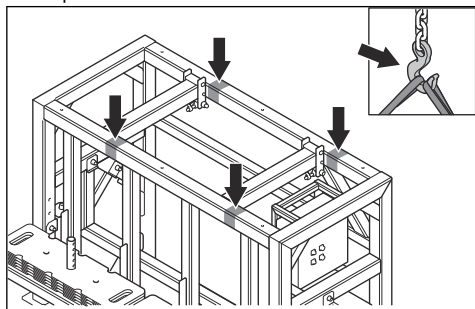
- ne marchez pas sur un produit soulevé et ne restez en dessous ou à proximité. Garder les passants à l'écart de la zone de travail.
- S'assurer que le produit et la zone de travail sont bien visibles lors du levage du produit.
- Placer une protection sur le produit pendant le transport. La protection garde le produit à l'abri des éléments, comme la pluie et la neige.

Levage du produit



AVERTISSEMENT : Ne soulevez le produit qu'avec l'équipement de levage approprié.

- Fixez l'équipement de levage aux 4 points de levage du produit.



Fixation du produit pour le transport

Utilisez les points de levage pour fixer le produit au véhicule de transport.

1. Fixez les sangles d'arrimage aux points de levage.
2. Fixez les sangles d'arrimage sur le véhicule de transport et serrez-les.

Entreposage



MISE EN GARDE : Ne pas entreposer le produit à l'extérieur. Toujours garder le produit à l'intérieur.

- Entreposer le produit dans un endroit sec et frais avec une bonne circulation d'air.
- Ne pas laisser le produit sur le plancher; le laisser pendre au-dessus du sol.
- Nettoyer le produit et effectuer un entretien complet avant de l'entreposer.
- S'assurer d'éviter la corrosion lorsque les câbles en acier, les chaînes et les autres équipements de levage en acier sont rangés de manière prolongée.
- Garder le produit dans un endroit verrouillé hors de portée des enfants et des personnes non autorisées.

Mise au rebut du produit

- Respecter les exigences locales en matière de recyclage et la réglementation en vigueur.
- Lorsqu'on n'utilise plus le produit, l'envoyer à un détaillant Husqvarna ou le mettre au rebut à un emplacement de recyclage.

Caractéristiques techniques

	RIGG 900 FI
Poids sans contrepoids, kg/lb	580/1279
Poids, avec le maximum de contrepoids, kg/lb	980/2161
Dimensions du produit (L × l × h), mm/po	2315×1330×1815/91×52×72
Tension nominale, V	400–460
Fréquence nominale, Hz	50/60
Connexion électrique	16 A, 5 pôles
Consommation électrique, moteur d'entraînement, kW	0,18
Vitesse, m/min / pi/min	De 0 à 9 / de 0 à 30
Charge de travail maximale, kg/lb	1300/2866
Coefficient d'essai dynamique	1,1
Coefficient d'essai statique	1,25
Niveau sonore, dB(A)	<70
Télécommande	
Type de batterie	2 piles alcalines AA/LR06
Bande de fréquences, MHz	869
Séparation des canaux, kHz	25
Sensibilité fonctionnelle	Mieux que -107 dBm BER 10 ⁻⁴
Principe de transmission	GMSK, TDMA
Classe IP	IP67
Température ambiante permise, °C/°F	De 0 à 45 / de 32 à 113
Température de stockage, °C/°F	De -40 à +85 / de -40 à +185

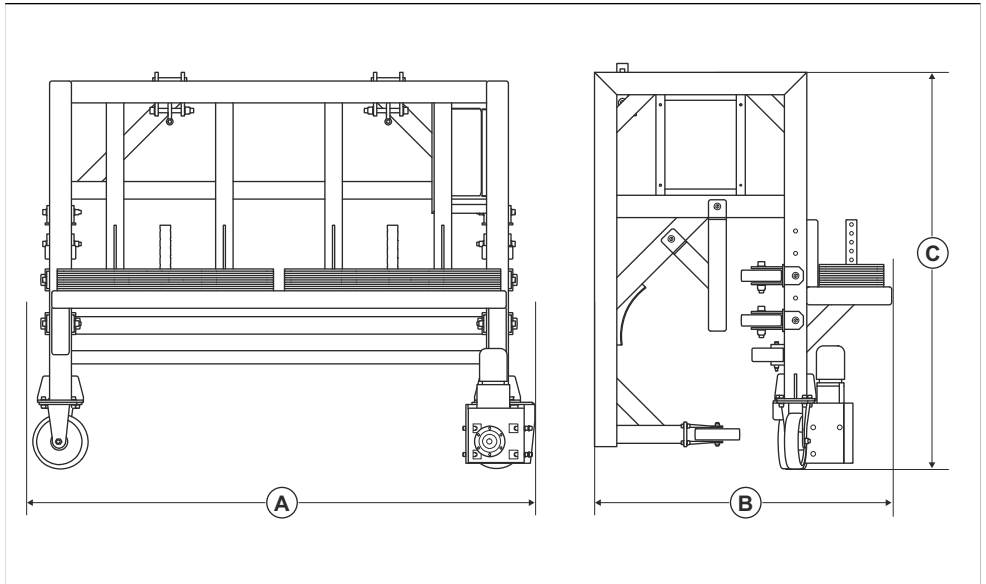
Remarque : si votre produit correspond à des spécifications électriques qui ne figurent pas dans le tableau, contactez un atelier de réparation Husqvarna pour plus d'informations.

Déclaration relative au bruit et aux vibrations

Ces valeurs déclarées ont été obtenues par essai en laboratoire conformément à la directive ou aux normes indiquées et peuvent être comparées aux valeurs

déclarées d'autres produits testés conformément à la même directive ou aux mêmes normes. Ces valeurs déclarées ne conviennent pas aux évaluations des risques et les valeurs mesurées sur des lieux de travail individuels peuvent être plus élevées. Les valeurs d'exposition réelles et le risque d'atteinte encouru par un utilisateur individuel sont uniques et dépendent de la façon dont l'utilisateur travaille, du matériau dans lequel le produit est utilisé, du temps d'exposition et de la condition physique de l'utilisateur, ainsi que de l'état du produit.

Dimensions de l'outil



A	Longueur, mm/po	2315/91
B	Largeur, mm/po	1330/52
C	Hauteur, mm/po	1814/72



www.husqvarnaconstruction.com

Original instructions
Instrucciones originales
Instructions d'origine

1143437-49



2024-02-16