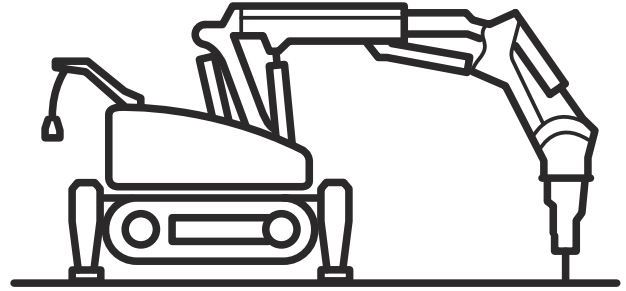




# Husqvarna®



## **Load, stability and weight on ground Ground pressure**

DXR 95, DXR 140, DXR 145, DXR 250, DXR 270, DXR 275, DXR  
300, DXR 305, DXR 310, DXR 315

---

# Contents

---

Introduction.....	2	Load stability and weight on ground diagrams for DXR 270, DXR 275.....	18
Safety.....	2	Load stability and weight on ground diagrams for DXR 300, DXR 305.....	23
Load stability and weight on ground diagrams for DXR 95.....	3	Load stability and weight on ground diagrams for DXR 310, DXR 315.....	28
Load stability and weight on ground diagrams for DXR 140, DXR 145.....	8	Ground pressure.....	33
Load stability and weight on ground diagrams for DXR 250.....	13		

---

## Introduction

---

### Document description



**WARNING:** Read and understand the operator's manual of the product before you operate the product.

250, DXR 275, DXR 300, DXR 305, DXR 310 and DXR 315 in 4 different static positions.

The document also shows data for the ground pressure. Refer to *Ground pressure on page 33*.

The document shows diagrams with values for load and weight on ground for DXR 95, DXR 140, DXR 145, DXR

---

## Safety

---

### Safety definitions

Warnings, cautions and notes are used to point out specially important parts of the manual.



**WARNING:** Used if there is a risk of injury or death for the operator or bystanders if the instructions in the manual are not obeyed.

- Keep in mind that it is you, the operator that is responsible for not exposing people or their property to accidents or hazards.



**CAUTION:** Used if there is a risk of damage to the product, other materials or the adjacent area if the instructions in the manual are not obeyed.

**Note:** Used to give more information that is necessary in a given situation.

### Safety instructions

- Husqvarna is not responsible for the content in this document or that the numbers are correct. The numbers can change without notice.
- Husqvarna is not responsible for damages that occur as a result of any inaccuracy in the information in this document. Use the values in the document at your own risk.
- The values in this document are measured when the product and load are static. The values can be higher when the product moves.
- Use the values in *Ground pressure on page 33* as reference information only.

# Load stability and weight on ground diagrams for DXR 95

## Introduction



**WARNING:** The values in the diagrams are approximate and can be 10% higher or lower.

The diagrams show the product in 4 different positions:

1. The product stands on the outriggers and the load is directed forward. The weight on ground is put on the 2 front outriggers. Refer to *Product on outriggers, load directed forward DXR 95 on page 4*.
2. The product stands on the outriggers and the load is directed to the side. The weight on ground is put on

the 2 outriggers on the side that the load is directed to. Refer to *Product on outriggers, load directed to the side DXR 95 on page 5*.

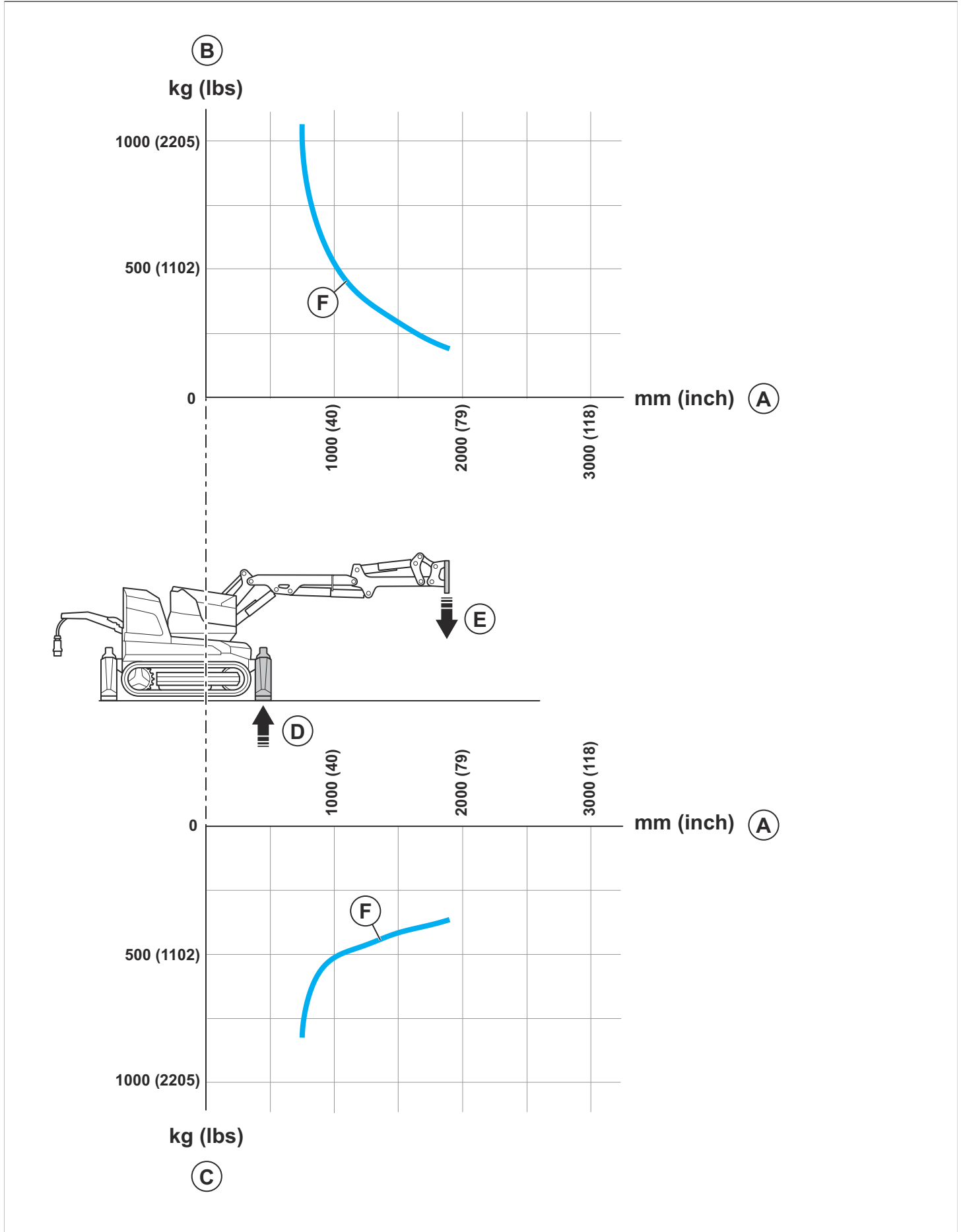
3. The product stands on the outriggers and the load is diagonally directed. The weight on ground is put on 1 outrigger. Refer to *Product on outriggers, load directed diagonally DXR 95 on page 6*.
4. The product stands on the caterpillar tracks and the load is directed forward. The weight on ground is put on the front ends of the 2 caterpillar tracks. Refer to *Product on caterpillar tracks, load directed forward DXR 95 on page 7*.

## Diagram description for DXR 95

Position in diagram	Description
A	The x-axis in the diagram shows the distance between the load and the slewing center on the product
B	The y-axis in the top diagram shows the static load that the product can hold without overturning
C	The y-axis in the bottom diagram shows the static load that the product puts on the ground
D	The outrigger(s) or caterpillar track end that the weight on ground is put on
E	Load
F	Graph of the capacity

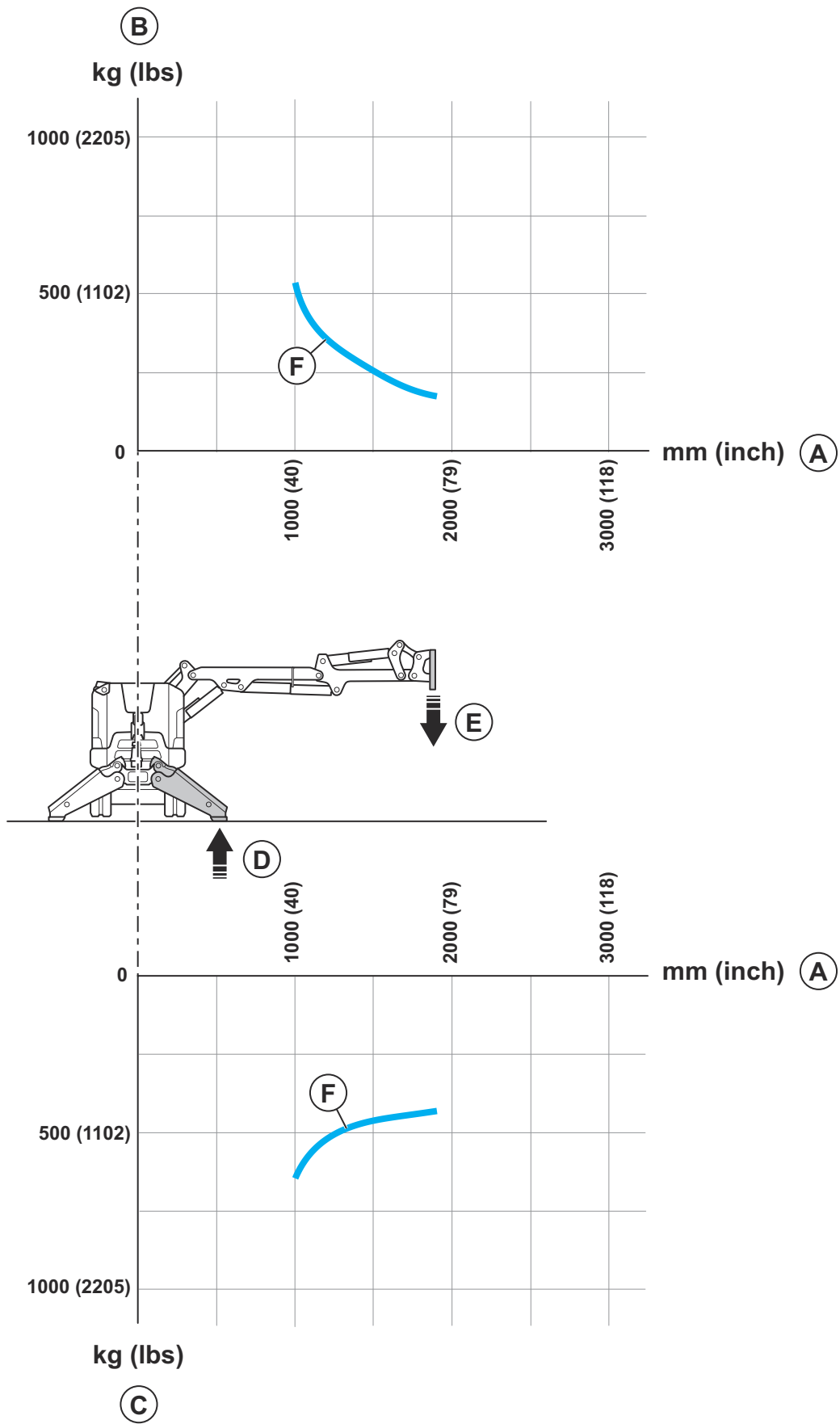
# Product on outriggers, load directed forward DXR 95

Refer to *Diagram description for DXR 95 on page 3* for information about the positions in the diagram.



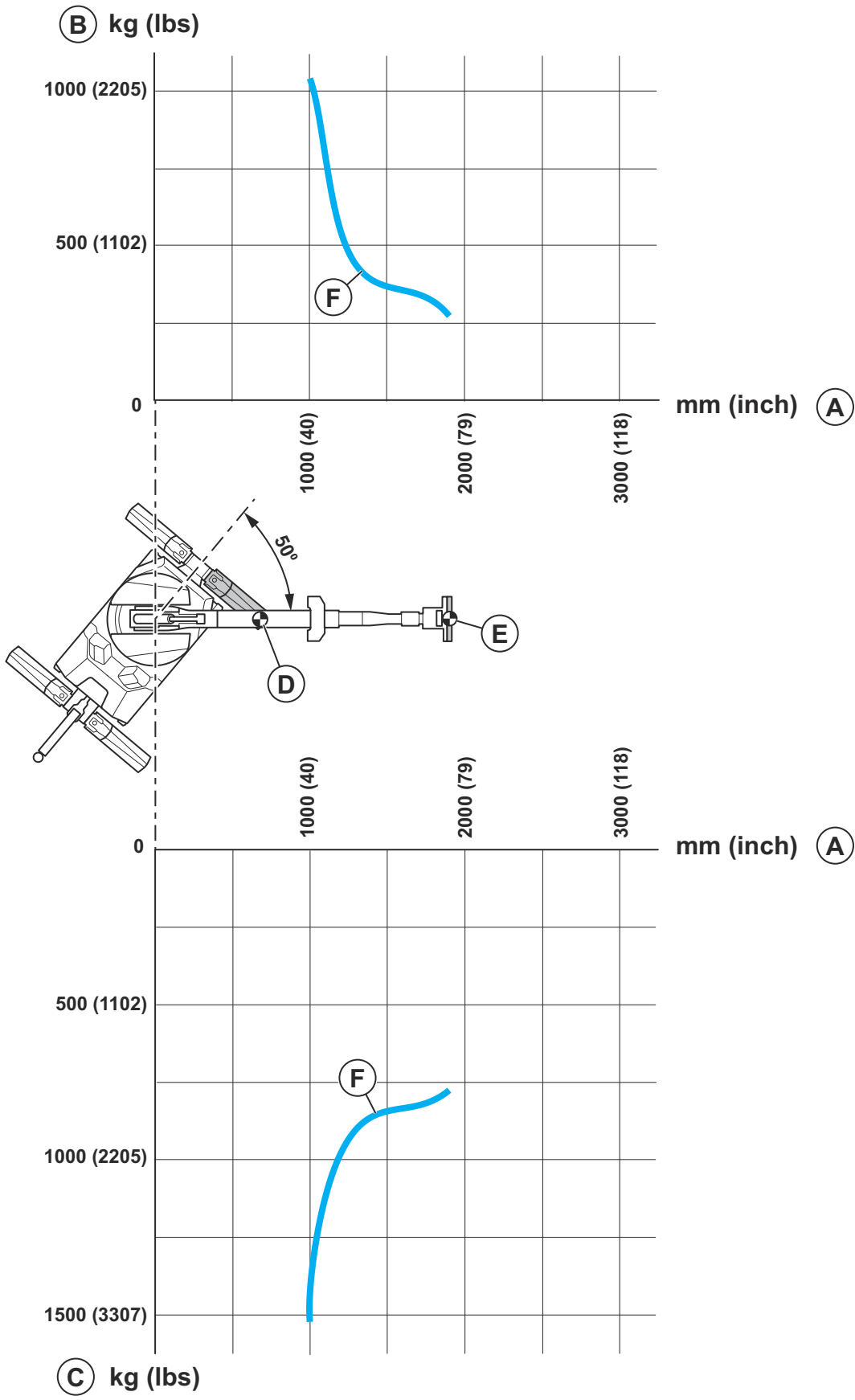
# Product on outriggers, load directed to the side DXR 95

Refer to *Diagram description for DXR 95 on page 3* for information about the positions in the diagram.



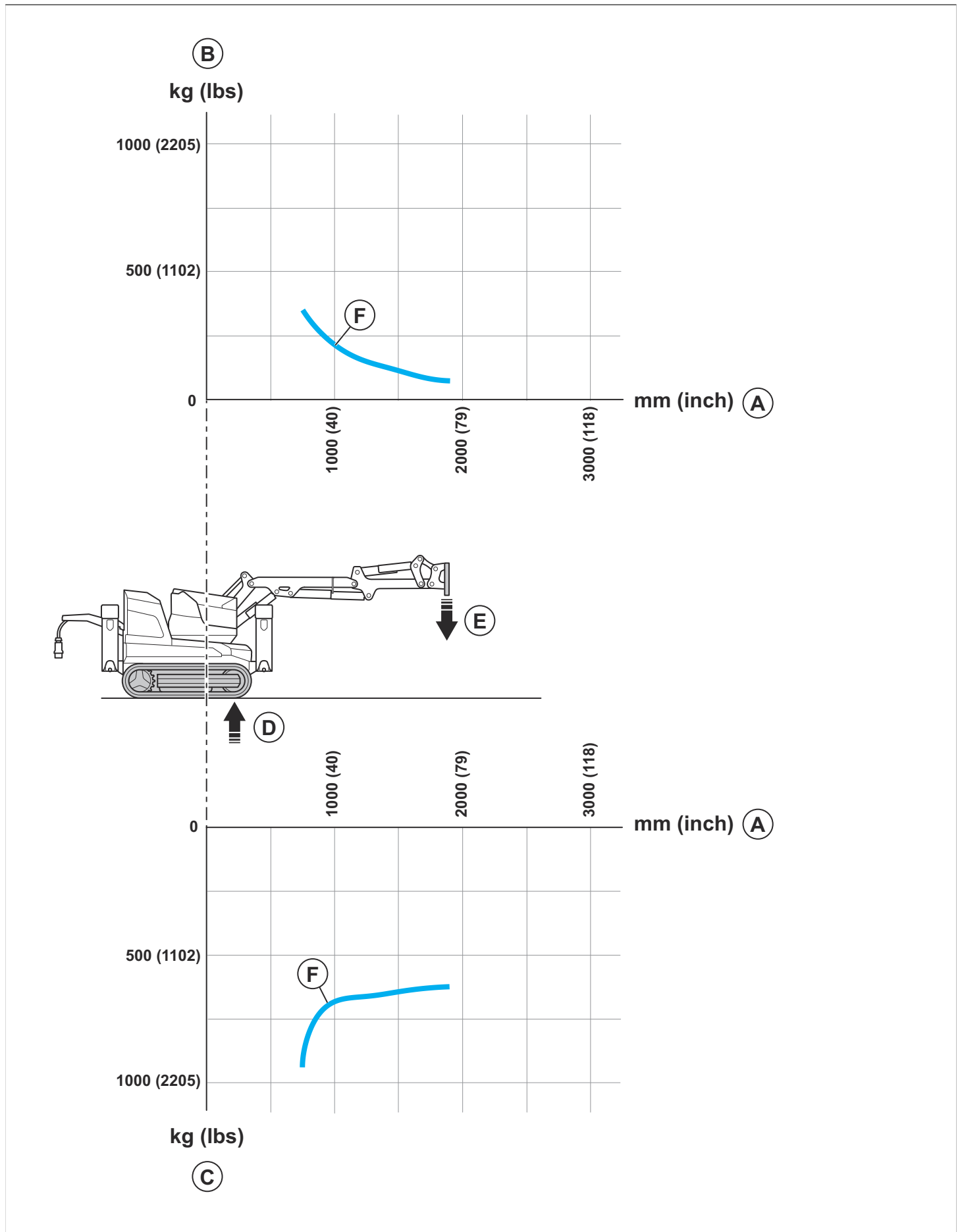
# Product on outriggers, load directed diagonally DXR 95

Refer to *Diagram description for DXR 95 on page 3* for information about the positions in the diagram.



# Product on caterpillar tracks, load directed forward DXR 95

Refer to *Diagram description for DXR 95 on page 3* for information about the positions in the diagram.



# Load stability and weight on ground diagrams for DXR 140, DXR 145

## Introduction



**WARNING:** The values in the diagrams are approximate and can be 10% higher or lower.

The diagrams show the product in 4 different positions:

1. The product stands on the outriggers and the load is directed forward. The weight on ground is put on the 2 front outriggers. Refer to *Product on outriggers, load directed forward DXR 140, DXR 145 on page 9.*
2. The product stands on the outriggers and the load is directed to the side. The weight on ground is put on

the 2 outriggers on the side that the load is directed to. Refer to *Product on outriggers, load directed to the side DXR 140, DXR 145 on page 10.*

3. The product stands on the outriggers and the load is diagonally directed. The weight on ground is put on 1 outrigger. Refer to *Product on outriggers, load directed diagonally DXR 140, DXR 145 on page 11.*
4. The product stands on the caterpillar tracks and the load is directed forward. The weight on ground is put on the front ends of the 2 caterpillar tracks. Refer to *Product on caterpillar tracks, load directed forward DXR 140, DXR 145 on page 12.*

## Diagram explanation for DXR 140, DXR 145

Position in diagram	Explanation
A	The x-axis in the diagram shows the distance between the load and the slewing center on the product
B	The y-axis in the top diagram shows the static load that the product can hold without overturning
C	The y-axis in the bottom diagram shows the static load that the product puts on the ground
D	The outrigger(s) or track end that the weight on ground is put on
E	Load
F	Graph of the capacity without counterweight
G	Graph of the capacity with counterweight <sup>1</sup>
H	Counterweight <sup>2</sup>

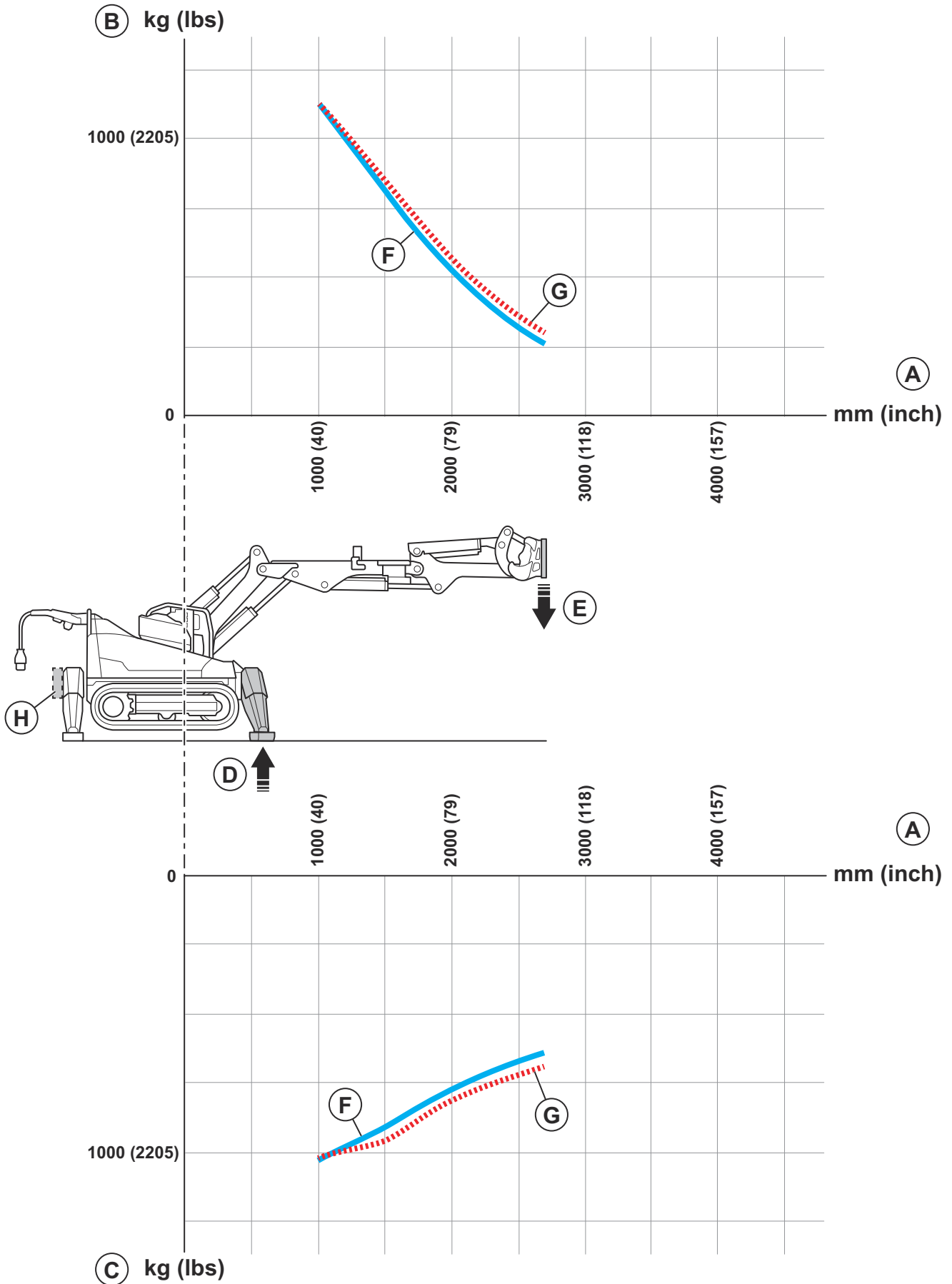
<sup>1</sup> The counterweight is optional.

<sup>2</sup> The counterweight is optional.



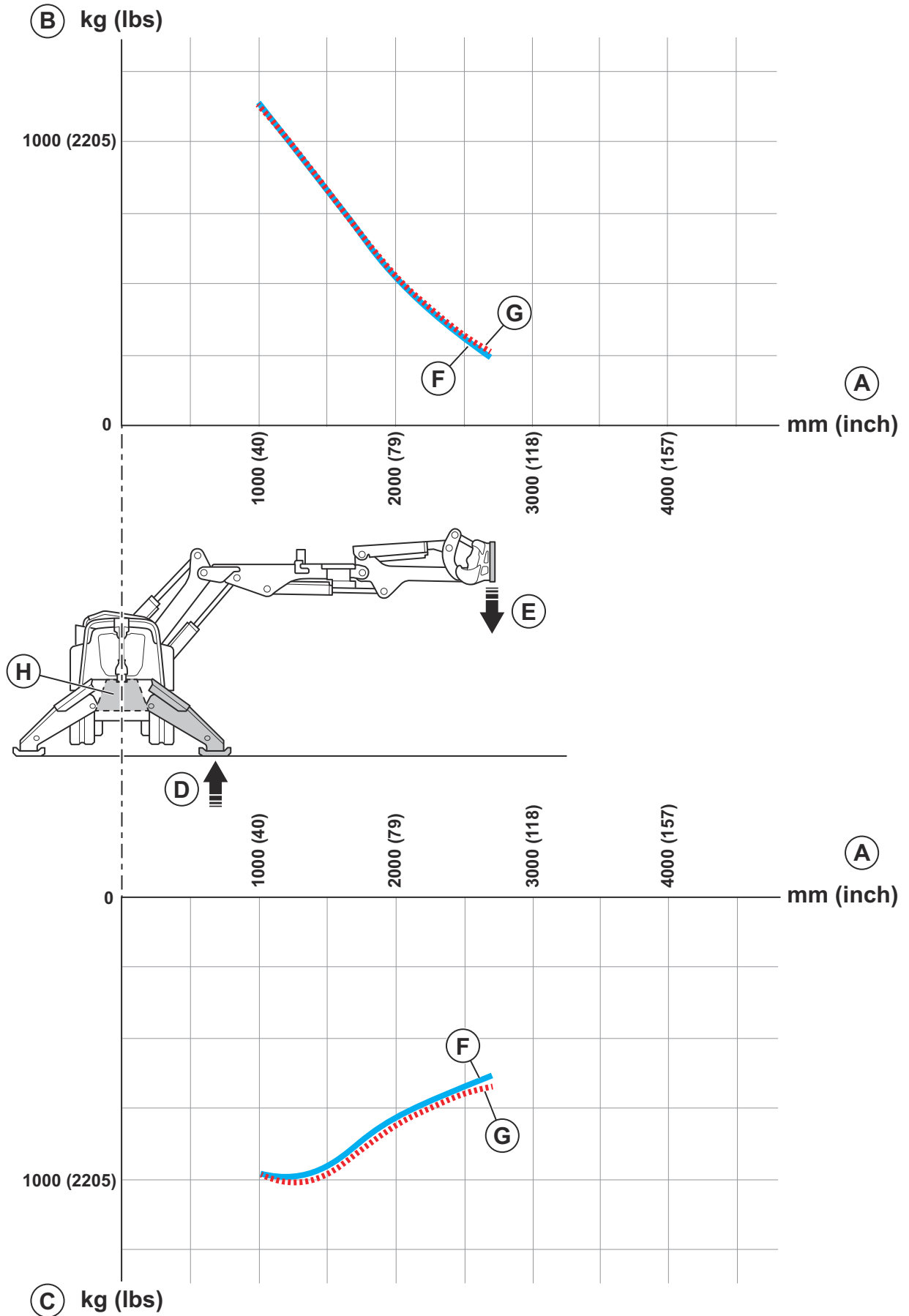
# Product on outriggers, load directed forward DXR 140, DXR 145

Refer to *Diagram explanation for DXR 140, DXR 145* on page 8 for information about the positions in the diagram.



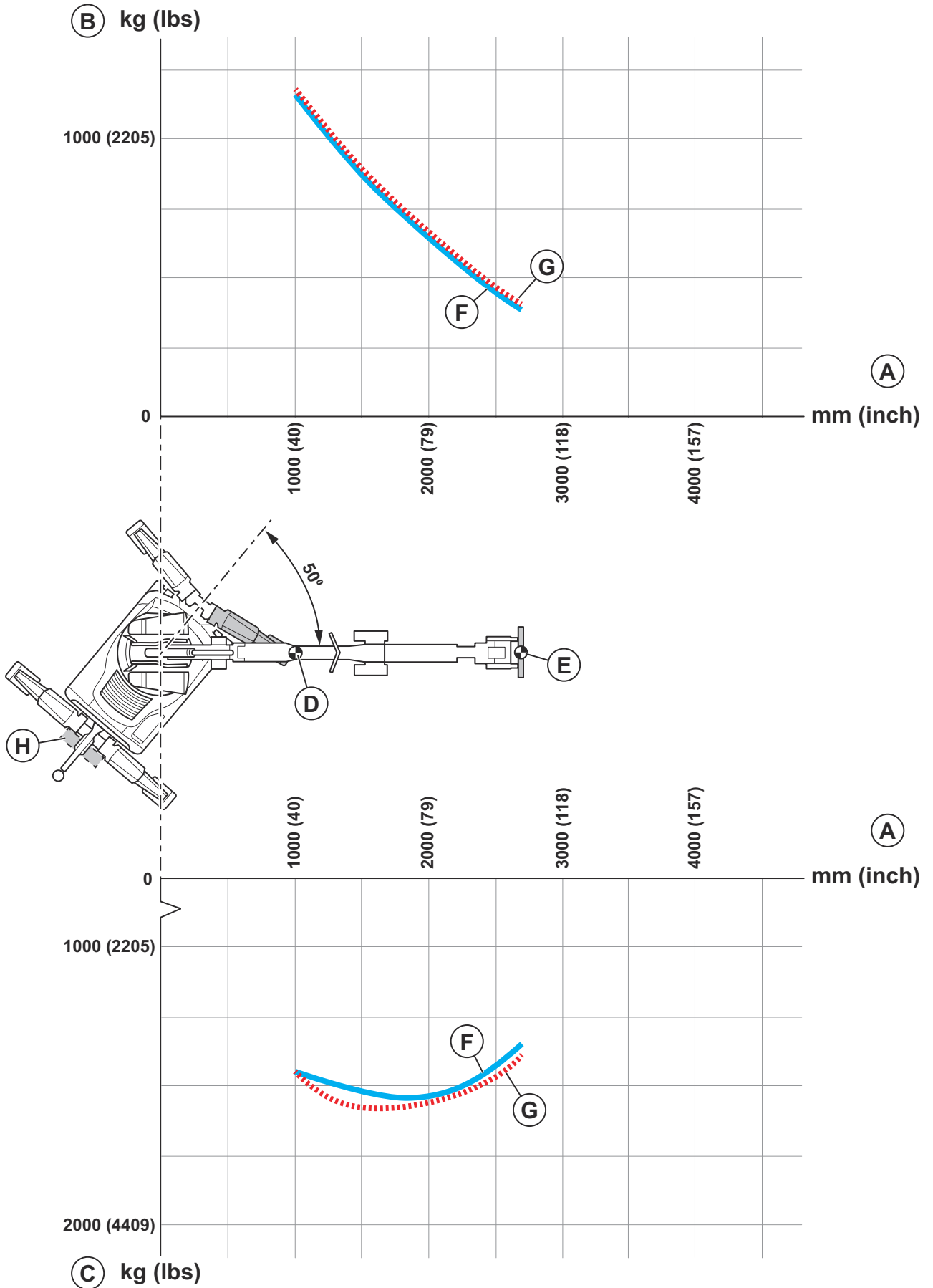
# Product on outriggers, load directed to the side DXR 140, DXR 145

Refer to *Diagram explanation for DXR 140, DXR 145* on page 8 for information about the positions in the diagram.



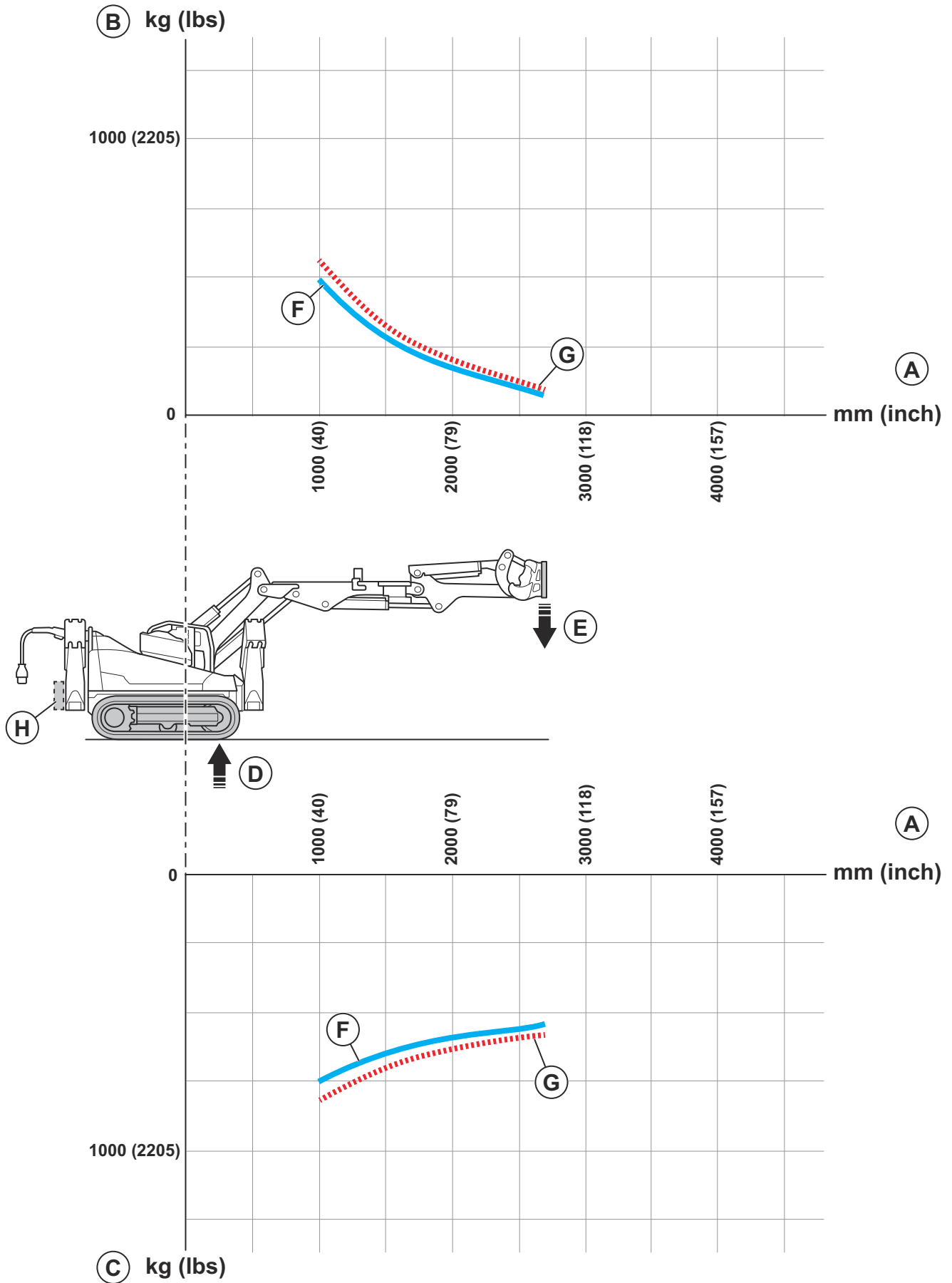
**Product on outriggers, load directed diagonally DXR 140, DXR 145**

Refer to *Diagram explanation for DXR 140, DXR 145* on page 8 for information about the positions in the diagram.



# Product on caterpillar tracks, load directed forward DXR 140, DXR 145

Refer to *Diagram explanation for DXR 140, DXR 145* on page 8 for information about the positions in the diagram.



# Load stability and weight on ground diagrams for DXR 250

## Introduction



**WARNING:** The values in the diagrams are approximate and can be 10% higher or lower.

The diagrams show the product in 4 different positions:

1. The product stands on the dozer blades and the load is directed forward. The weight on ground is put on the 2 front dozer blades. Refer to *Product on dozer blades, load directed forward DXR 250 on page 14*.
2. The product stands on the dozer blades and the load is directed to the side. The weight on ground is put on the 2 dozer blades on the side that the load is directed to. Refer to *Product on dozer blades, load directed to the side DXR 250 on page 15*.
3. The product stands on the dozer blades and the load is diagonally directed. The weight on ground is put on 1 dozer blade. Refer to *Product on dozer blades, load directed diagonally DXR 250 on page 16*.
4. The product stands on the caterpillar tracks and the load is directed forward. The weight on ground is put on the front ends of the 2 caterpillar tracks. Refer to *Product on tracks, load directed forward DXR 250 on page 17*.

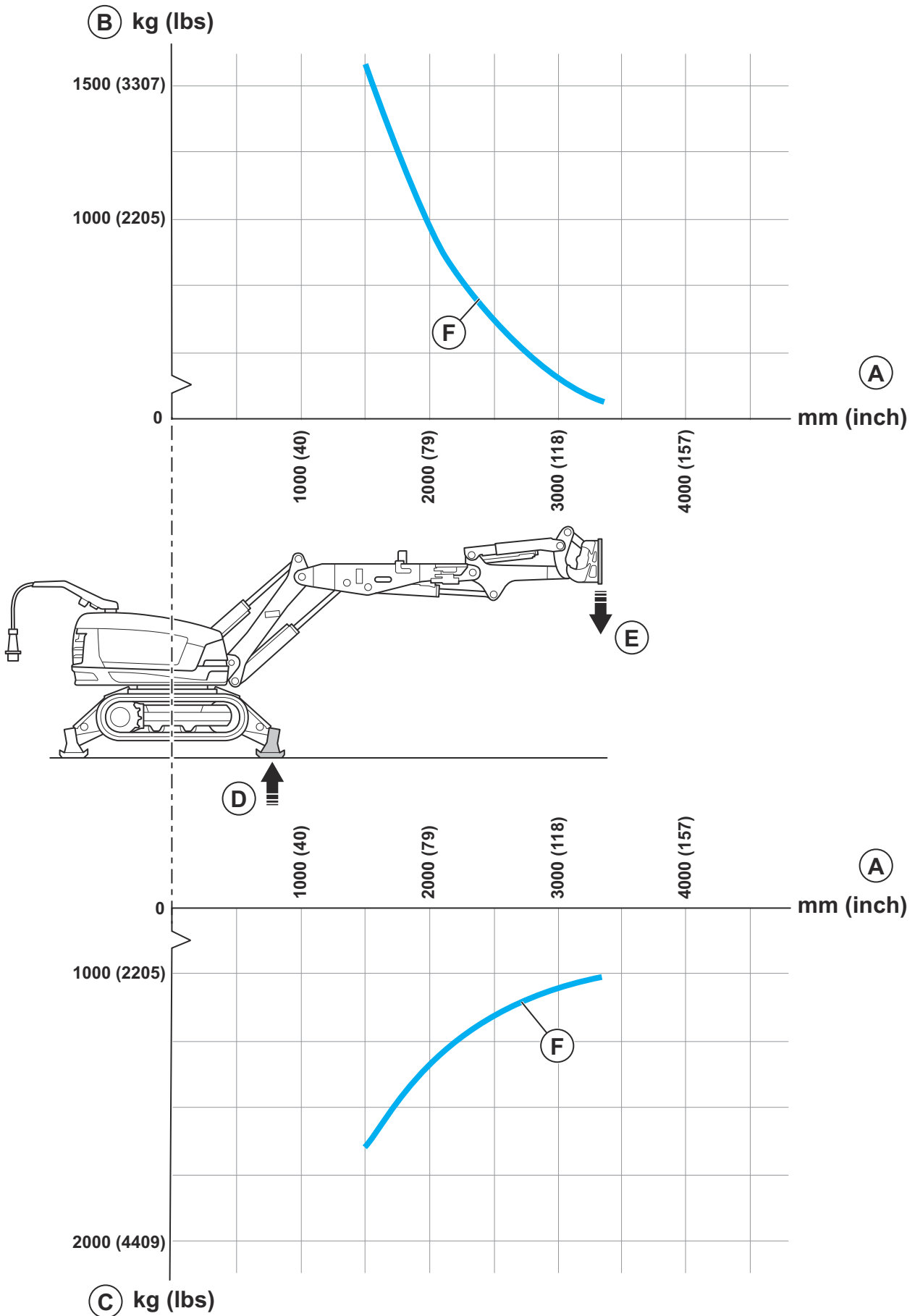
## Diagram description for DXR 250

Position in diagram	Description
A	The x-axis in the diagram shows the distance between the load and the slewing center on the product
B	The y-axis in the top diagram shows the static load that the product can hold without overturning
C	The y-axis in the bottom diagram shows the static that the product puts on the ground
D	Dozer blade(s) or caterpillar track end that the weight on ground is put on <sup>3</sup>
E	Load
F	Graph of the capacity with dozer blades in inner position
G	Graph of the capacity with dozer blades in outer position
H	Angle with dozer blades in inner/outer position

<sup>3</sup> The outriggers can be placed in outer or inner position.

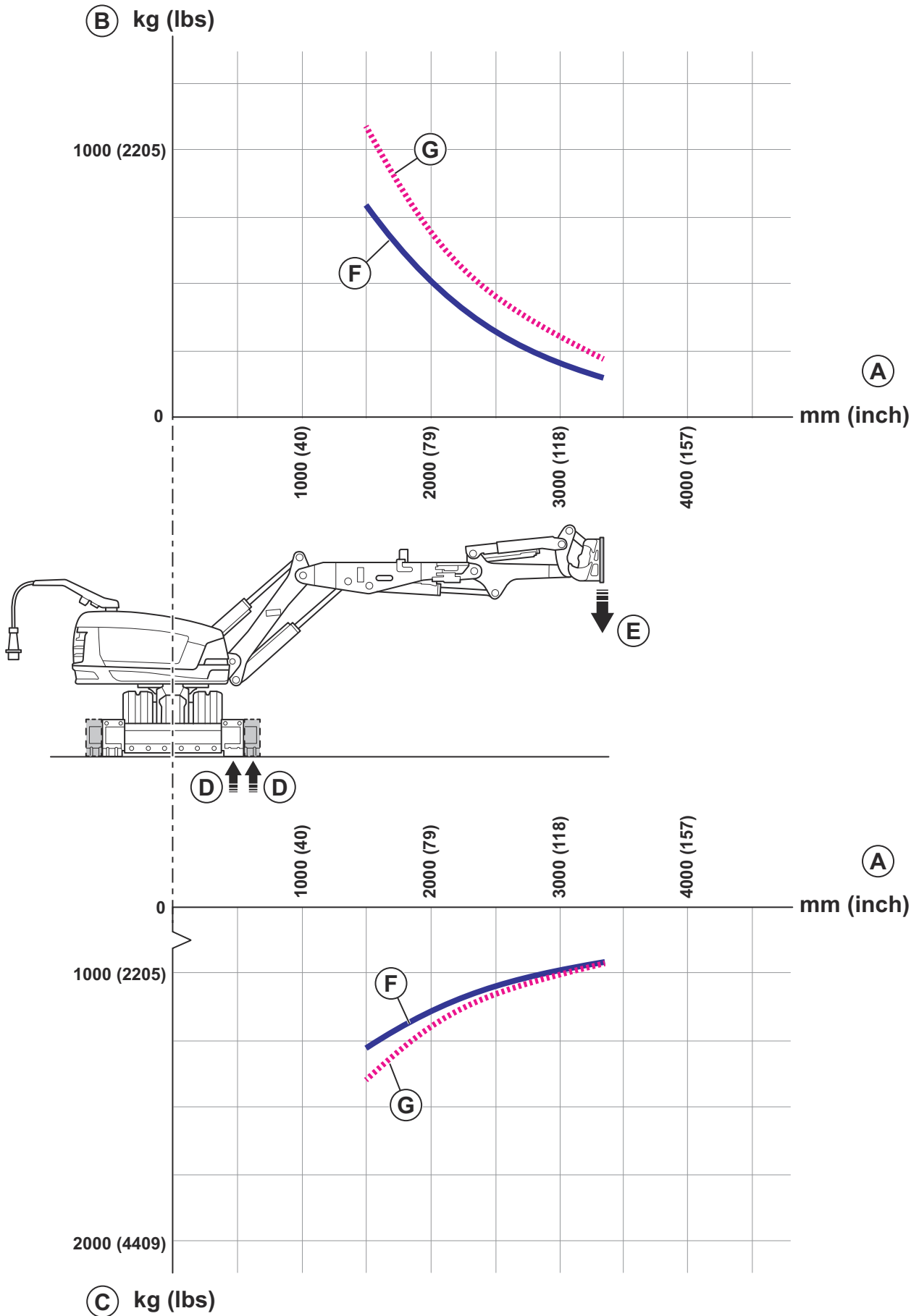
**Product on dozer blades, load directed forward DXR 250**

Refer to *Diagram description for DXR 250* on page 13 for information about the positions in the diagram.



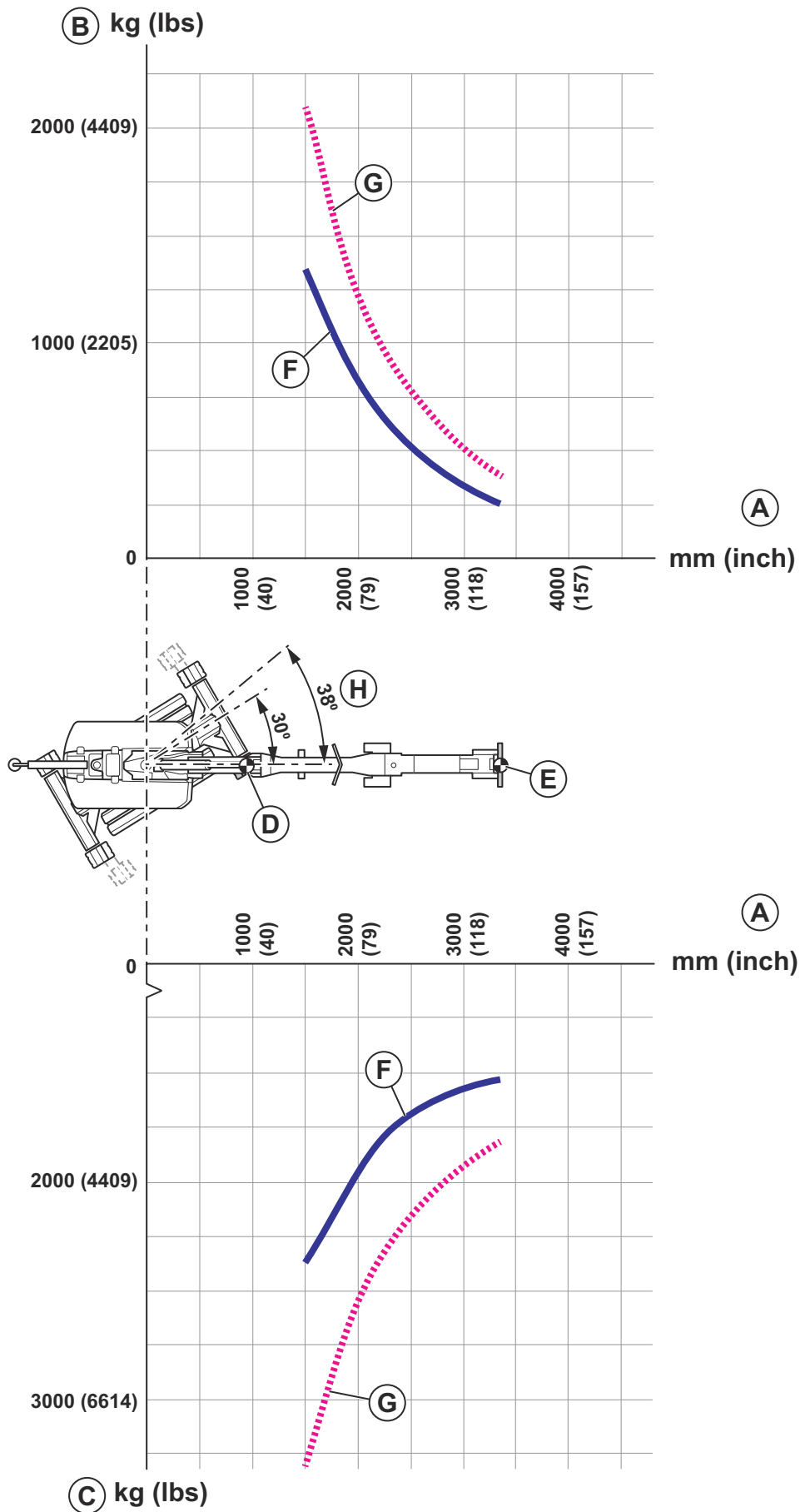
# Product on dozer blades, load directed to the side DXR 250

Refer to *Diagram description for DXR 250* on page 13 for information about the positions in the diagram.



# Product on dozer blades, load directed diagonally DXR 250

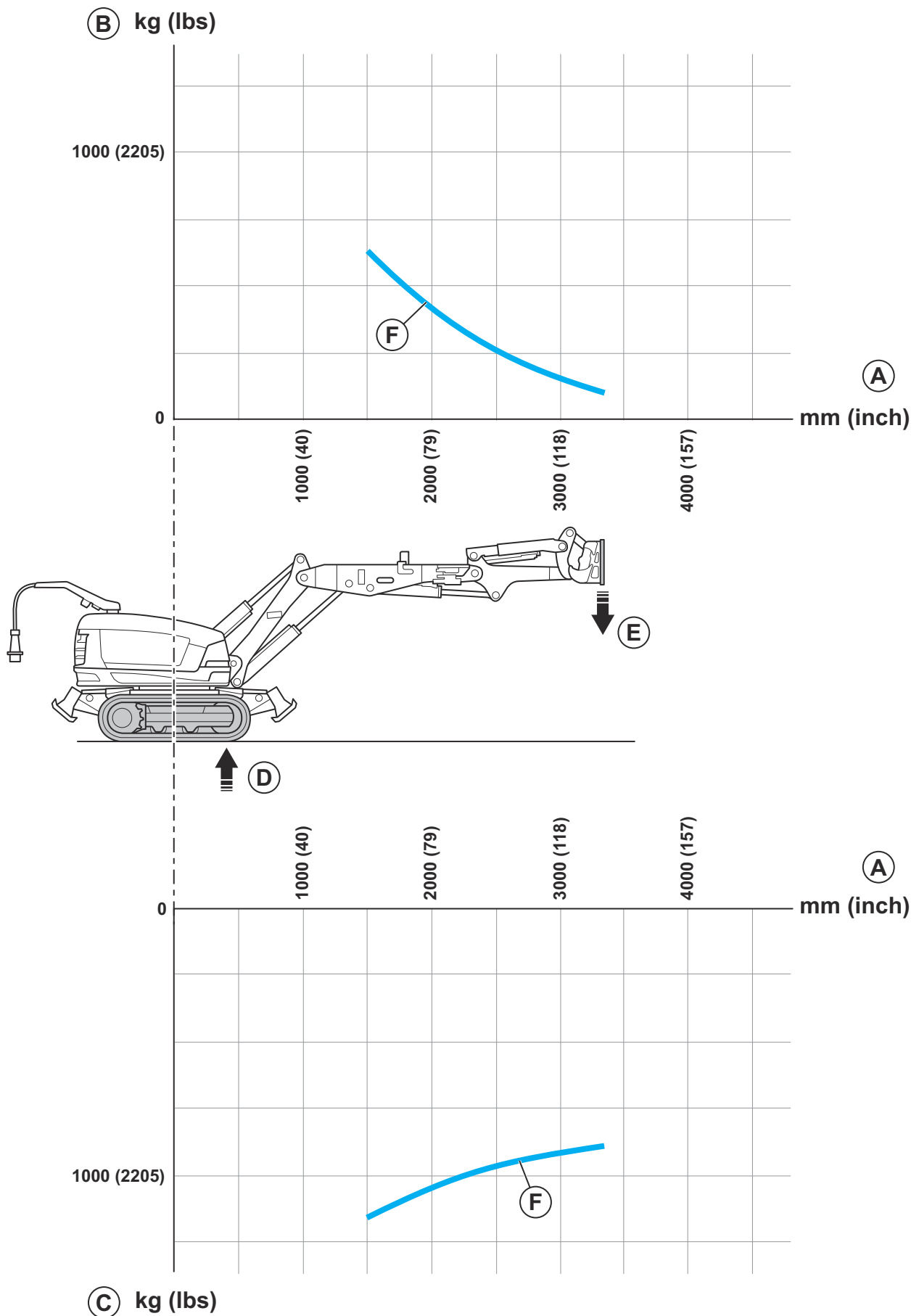
Refer to *Diagram description for DXR 250 on page 13* for information about the positions in the diagram.





# Product on tracks, load directed forward DXR 250

Refer to *Diagram description for DXR 250* on page 13 for information about the positions in the diagram.



# Load stability and weight on ground diagrams for DXR 270, DXR 275

## Introduction



**WARNING:** The values in the diagrams are approximate and can be 10% higher or lower.

The diagrams show the product in 4 different positions:

1. The product stands on the outriggers and the load is directed forward. The weight on ground is put on the 2 front outriggers. Refer to *Product on outriggers, load directed forward DXR 270, DXR 275 on page 19.*
2. The product stands on the outriggers and the load is directed to the side. The weight on ground is put on

the 2 outriggers on the side that the load is directed to. Refer to *Product on outriggers, load directed to the side DXR 270, DXR 275 on page 20.*

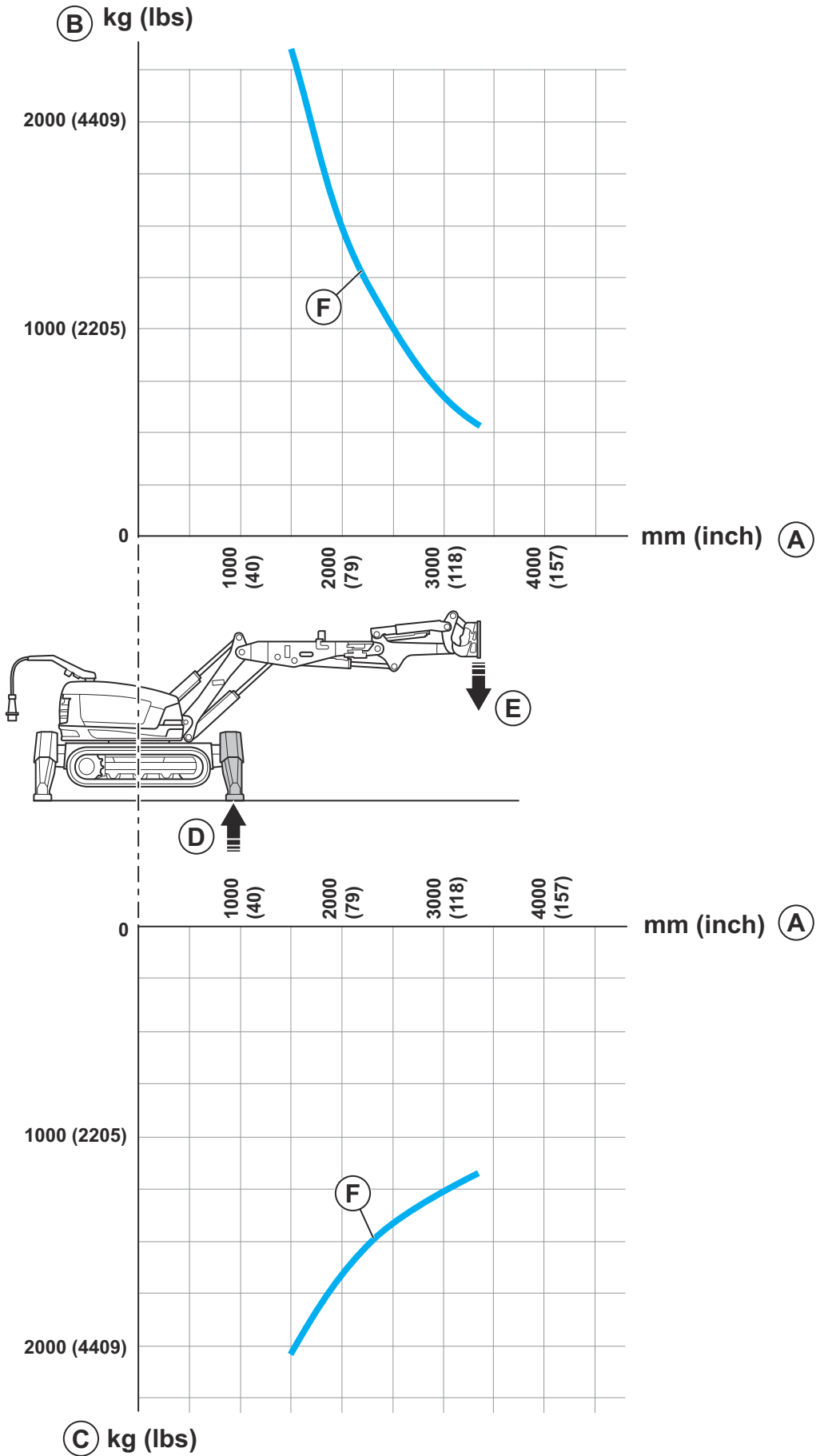
3. The product stands on the outriggers and the load is diagonally directed. The weight on ground is put on 1 outrigger. Refer to *Product on outriggers, load directed diagonally DXR 270, DXR 275 on page 21.*
4. The product stands on the caterpillar tracks and the load is directed forward. The weight on ground is put on the front ends of the 2 caterpillar tracks. Refer to *Product on caterpillar tracks, load directed forward DXR 270, DXR 275 on page 22.*

## Diagram description for DXR 270, DXR 275

Position in diagram	Description
A	The x-axis in the diagram shows the distance between the load and the slewing center on the product
B	The y-axis in the top diagram shows the static load that the product can hold without overturning
C	The y-axis in the bottom diagram shows the static load that the product puts on the ground
D	The outrigger(s) or caterpillar track end that the weight on ground is put on
E	Load
F	Graph of the capacity

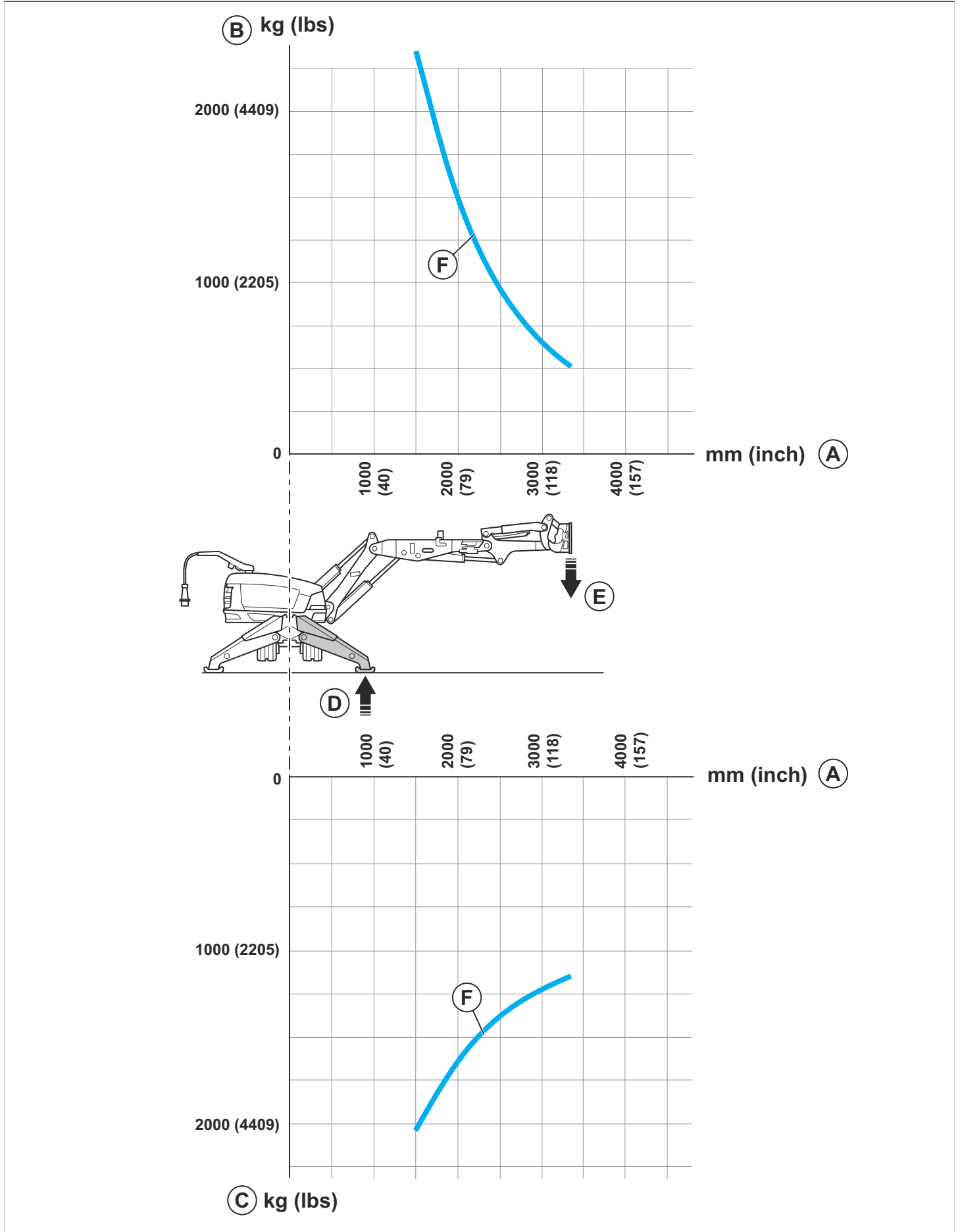
# Product on outriggers, load directed forward DXR 270, DXR 275

Refer to *Diagram description for DXR 270, DXR 275* on page 18 for information about the positions in the diagram.



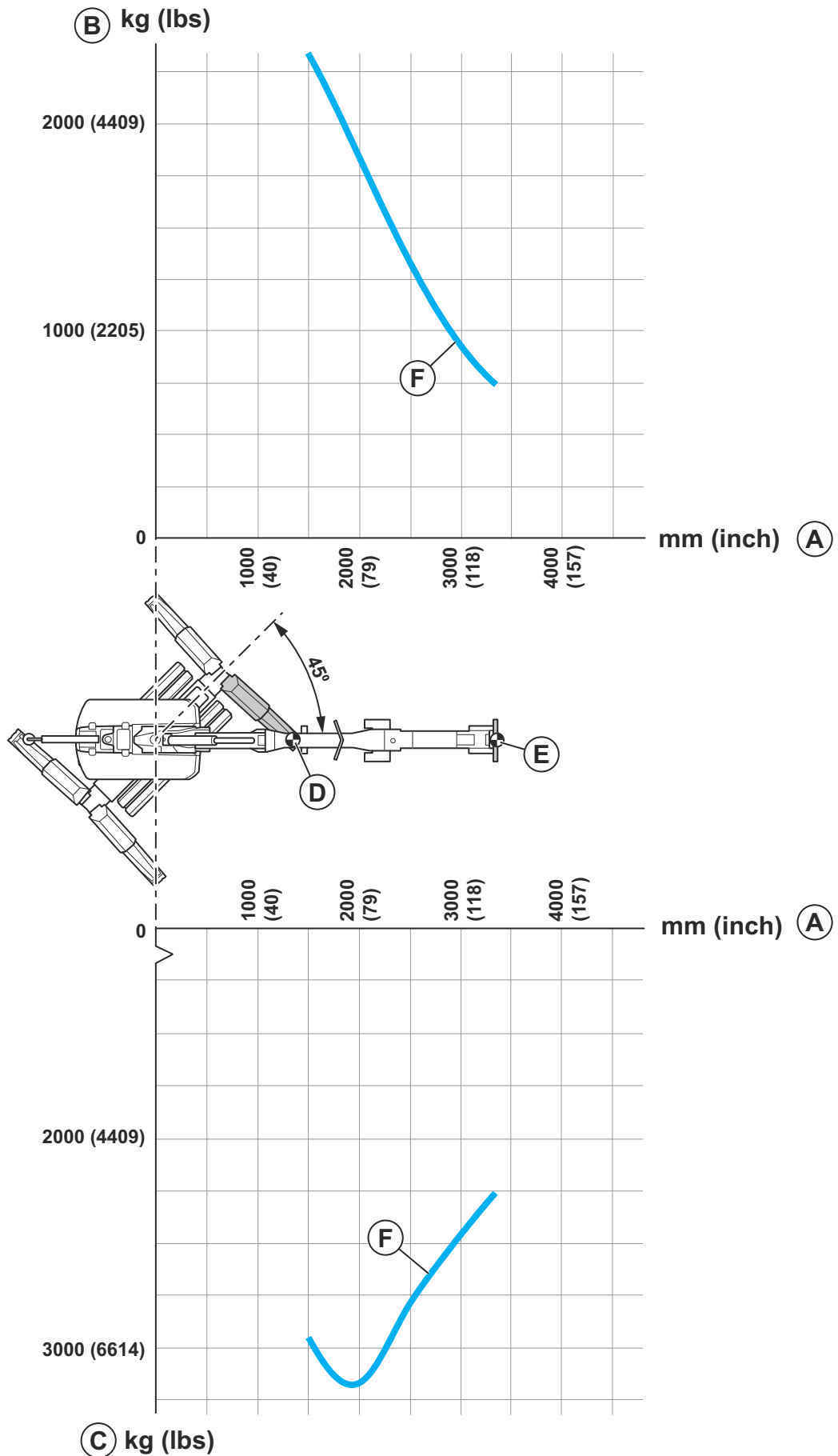
# Product on outriggers, load directed to the side DXR 270, DXR 275

Refer to *Diagram description for DXR 270, DXR 275* on page 18 for information about the positions in the diagram.



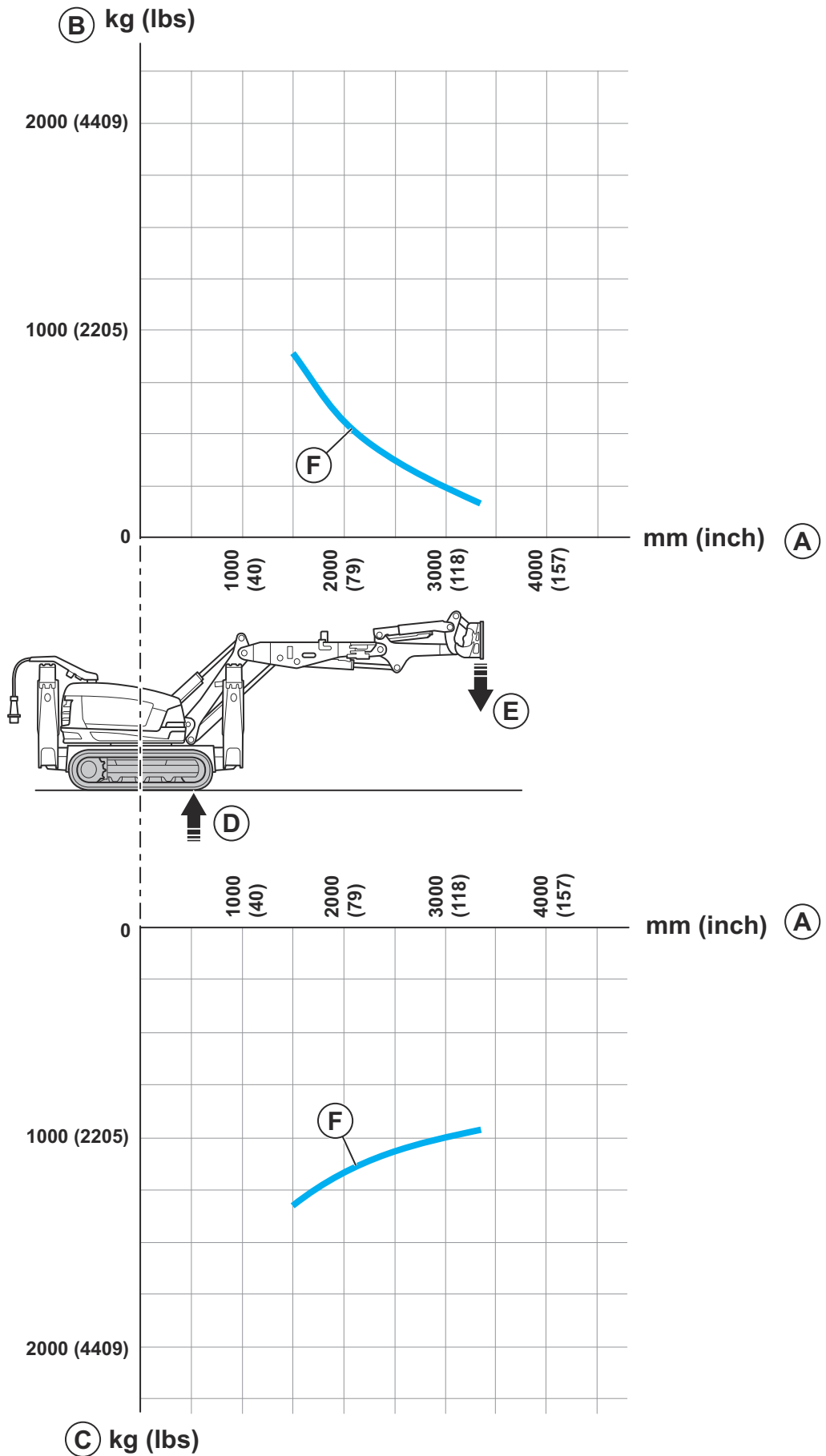
# Product on outriggers, load directed diagonally DXR 270, DXR 275

Refer to *Diagram description for DXR 270, DXR 275* on page 18 for information about the positions in the diagram.



**Product on caterpillar tracks, load directed forward DXR 270, DXR 275**

Refer to *Diagram description for DXR 270, DXR 275* on page 18 for information about the positions in the diagram.



# Load stability and weight on ground diagrams for DXR 300, DXR 305

## Introduction



**WARNING:** The values in the diagrams are approximate and can be 10% higher or lower.

The diagrams show the product in 4 different positions:

1. The product stands on the outriggers and the load is directed forward. The weight on ground is put on the 2 front outriggers. Refer to *Product on outriggers, load directed forward DXR 300, DXR 305 on page 24*.
2. The product stands on the outriggers and the load is directed to the side. The weight on ground is put on

the 2 outriggers on the side that the load is directed to. Refer to *Product on outriggers, load directed to the side DXR 300, DXR 305 on page 25*.

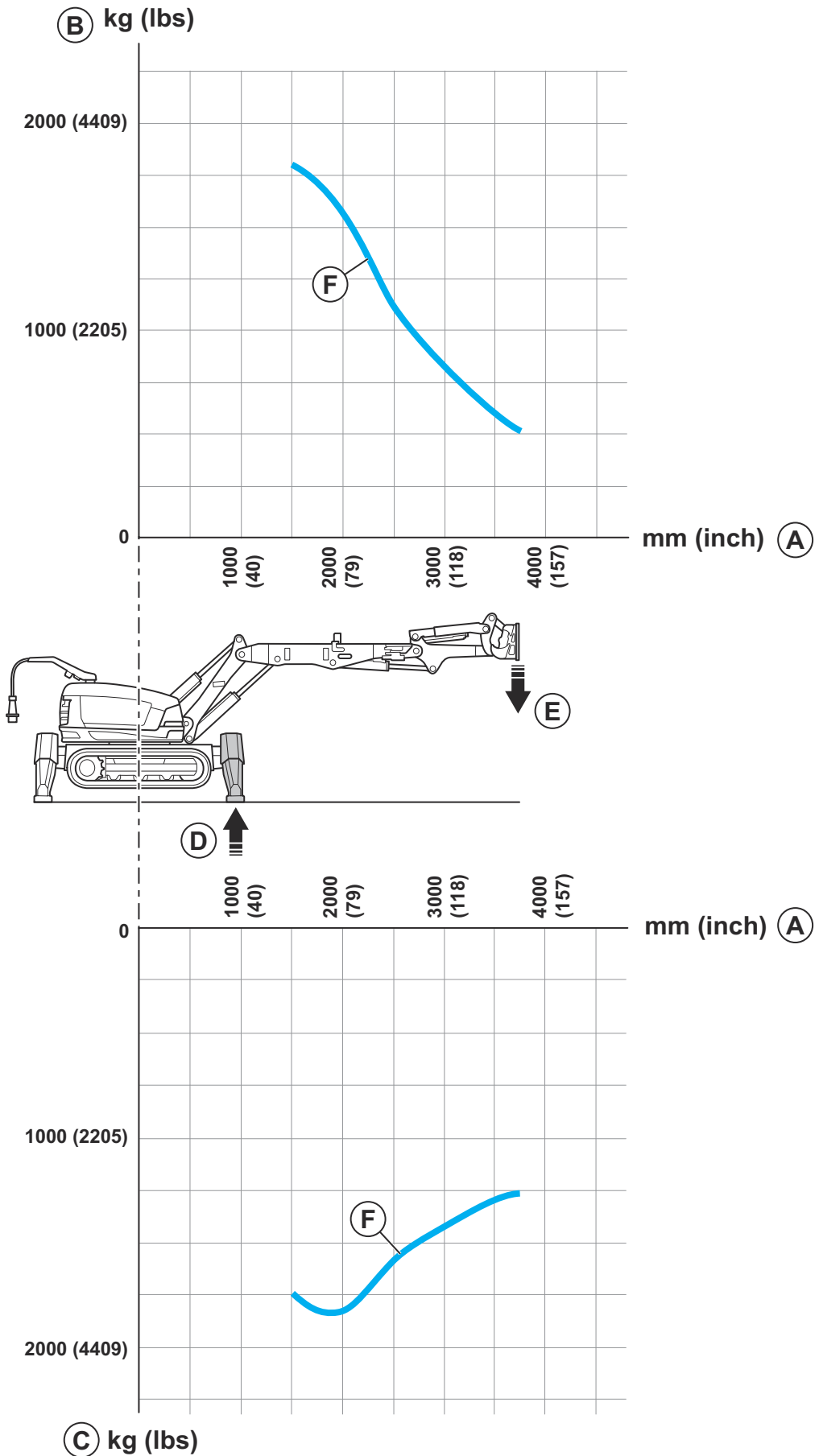
3. The product stands on the outriggers and the load is diagonally directed. The weight on ground is put on 1 outrigger. Refer to *Product on outriggers, load directed diagonally DXR 300, DXR 305 on page 26*.
4. The product stands on the caterpillar tracks and the load is directed forward. The weight on ground is put on the front ends of the 2 caterpillar tracks. Refer to *Product on caterpillar tracks, load directed forward DXR 300, DXR 305 on page 27*.

## Diagram description for DXR 300, DXR 305

Position in diagram	Description
A	The x-axis in the diagram shows the distance between the load and the slewing center on the product
B	The y-axis in the top diagram shows the static load that the product can hold without overturning
C	The y-axis in the bottom diagram shows the static load that the product puts on the ground
D	The outrigger(s) or caterpillar track end that the weight on ground is put on
E	Load
F	Graph of the capacity

**Product on outriggers, load directed forward DXR 300, DXR 305**

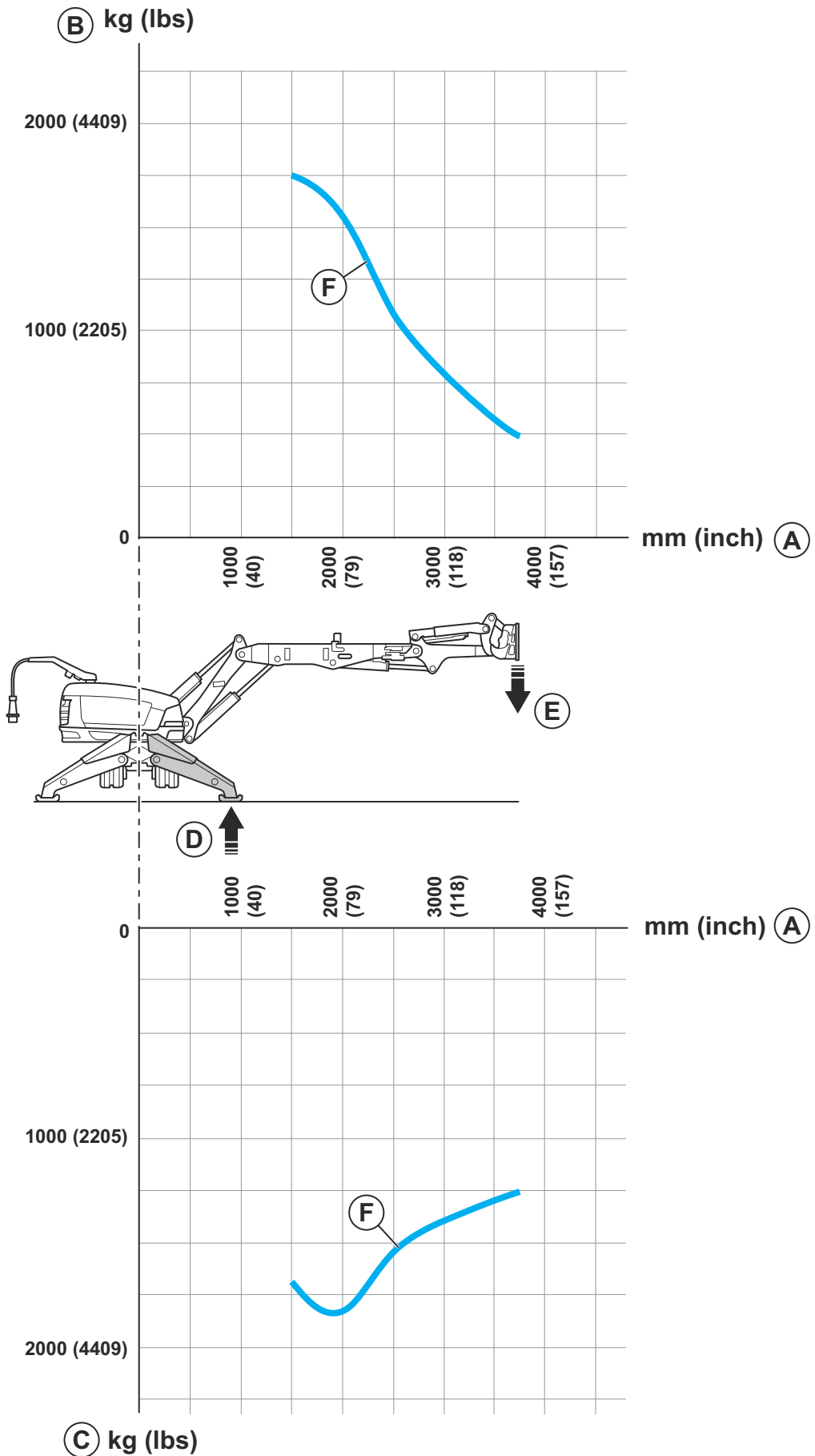
Refer to *Diagram description for DXR 300, DXR 305* on page 23 for information about the positions in the diagram.





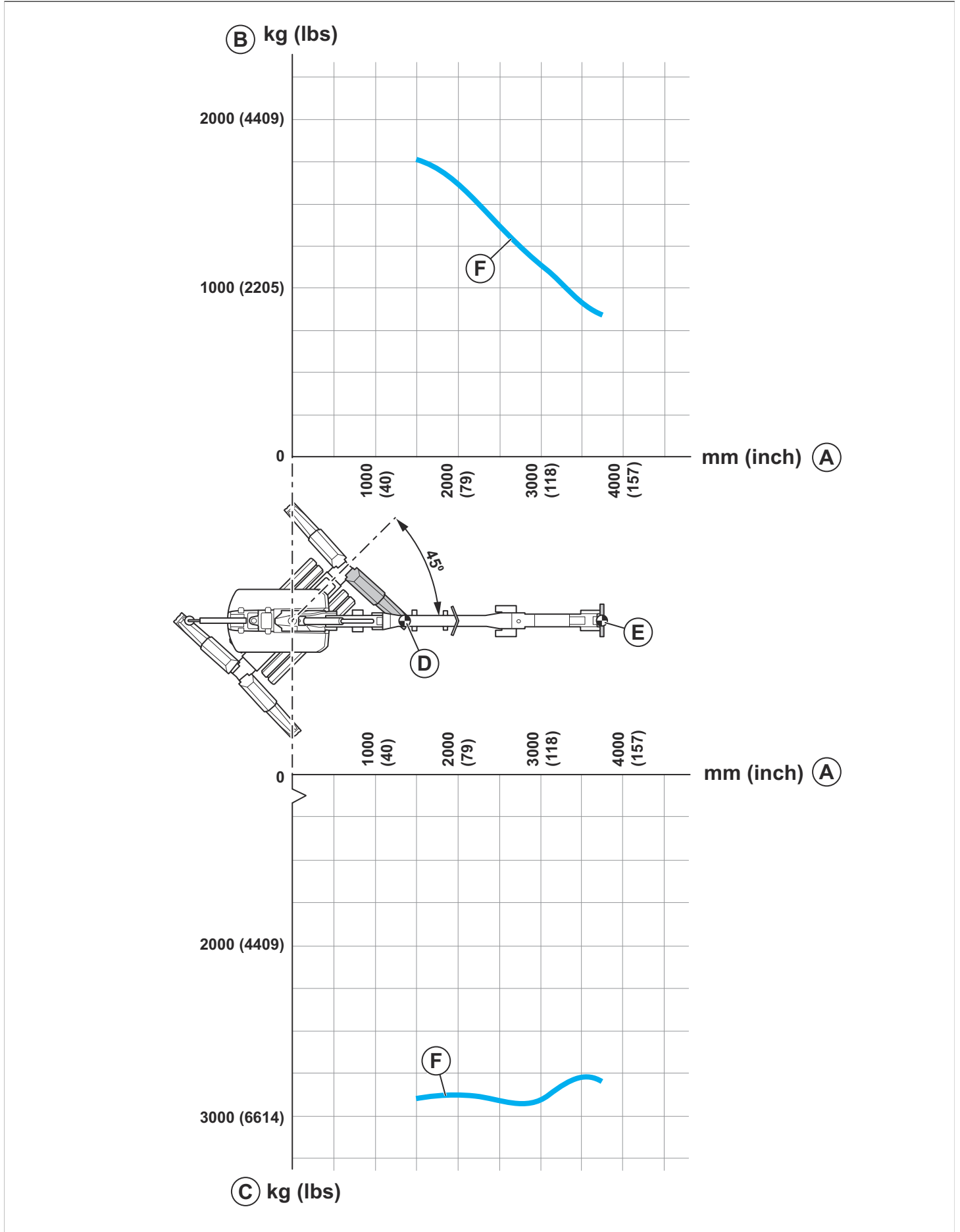
# Product on outriggers, load directed to the side DXR 300, DXR 305

Refer to *Diagram description for DXR 300, DXR 305* on page 23 for information about the positions in the diagram.



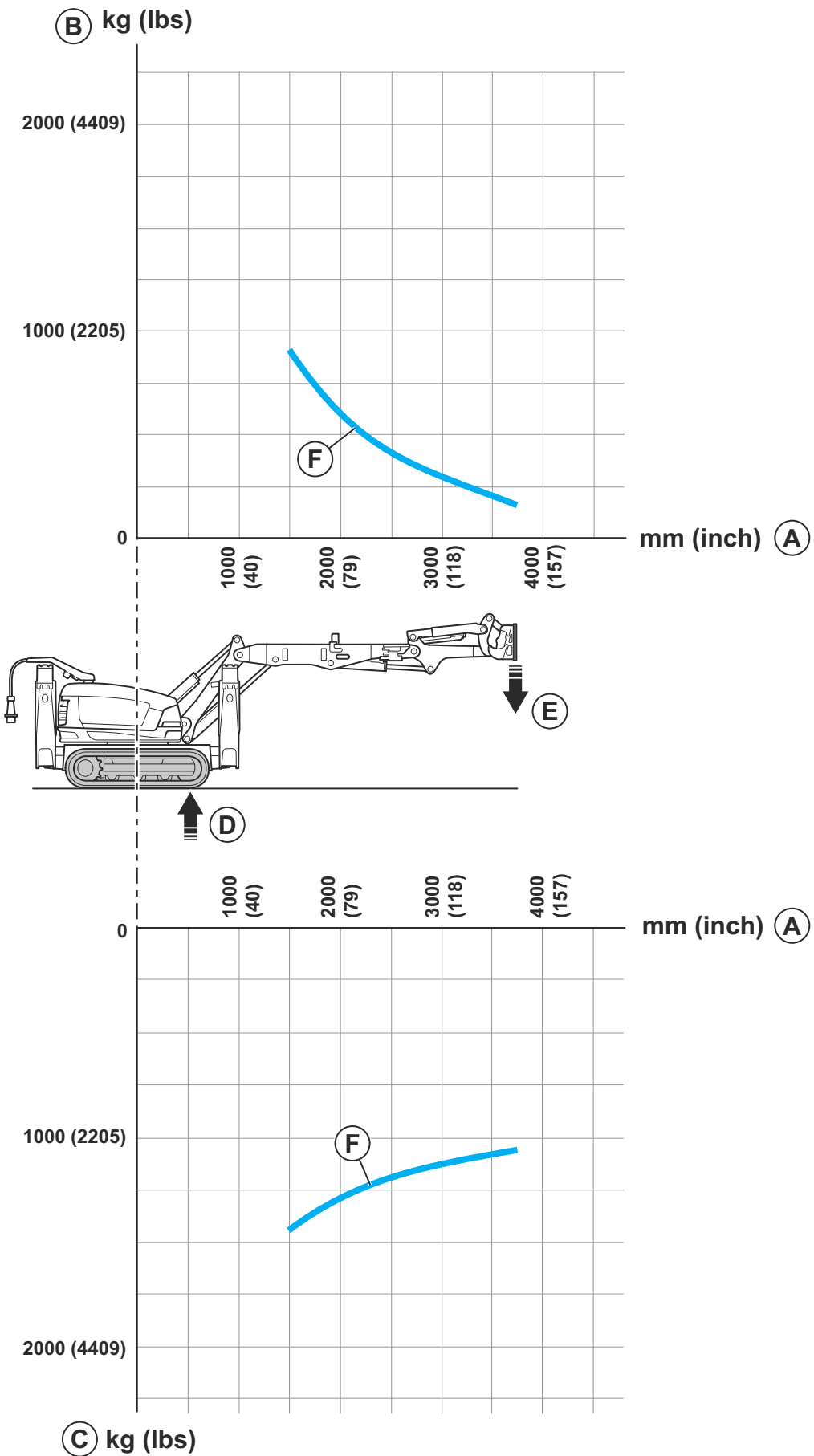
**Product on outriggers, load directed diagonally DXR 300, DXR 305**

Refer to *Diagram description for DXR 300, DXR 305* on page 23 for information about the positions in the diagram.



**Product on caterpillar tracks, load directed forward DXR 300, DXR 305**

Refer to *Diagram description for DXR 300, DXR 305* on page 23 for information about the positions in the diagram.



# Load stability and weight on ground diagrams for DXR 310, DXR 315

## Introduction



**WARNING:** The values in the diagrams are approximate and can be 10% higher or lower.

The diagrams show the product in 4 different positions:

1. The product stands on the outriggers and the load is directed forward. The weight on ground is put on the 2 front outriggers. Refer to *Product on outriggers, load directed forward DXR 310, DXR 315 on page 29.*
2. The product stands on the outriggers and the load is directed to the side. The weight on ground is put on

the 2 outriggers on the side that the load is directed to. Refer to *Product on outriggers, load directed to the side DXR 310, DXR 315 on page 30.*

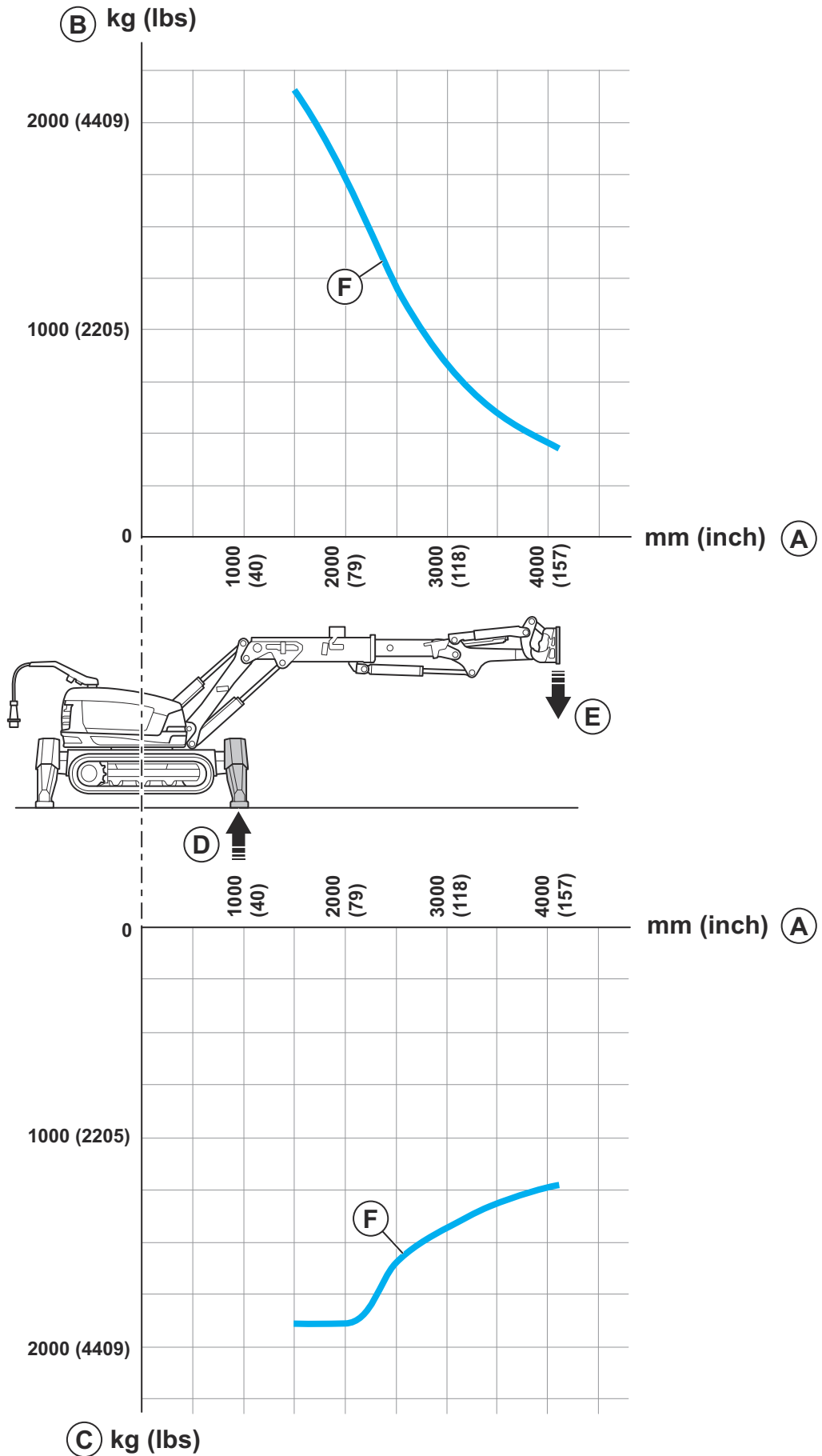
3. The product stands on the outriggers and the load is diagonally directed. The weight on ground is put on 1 outrigger. Refer to *Product on outriggers, load directed diagonally DXR 310, DXR 315 on page 31.*
4. The product stands on the caterpillar tracks and the load is directed forward. The weight on ground is put on the front ends of the 2 caterpillar tracks. Refer to *Product on caterpillar tracks, load directed forward DXR 310, DXR 315 on page 32.*

## Diagram description for DXR 310, DXR 315

Position in diagram	Description
A	The x-axis in the diagram shows the distance between the load and the slewing center on the product
B	The y-axis in the top diagram shows static load that the product can hold without overturning
C	The y-axis in the bottom diagram shows the static load that the product puts on the ground
D	The outrigger(s) or caterpillar track end that the weight on ground is put on
E	Load
F	Graph of the capacity

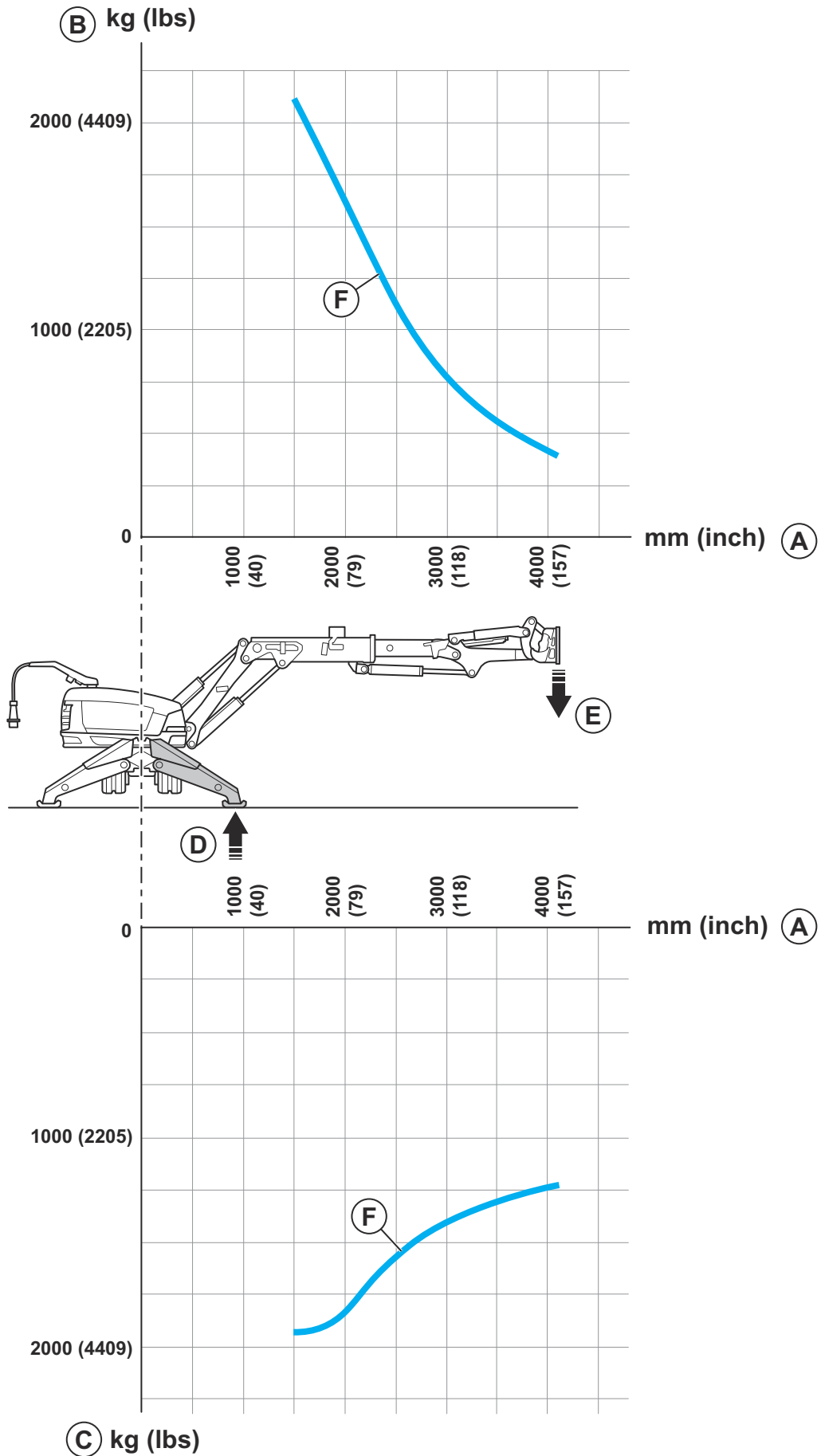
# Product on outriggers, load directed forward DXR 310, DXR 315

Refer to *Diagram description for DXR 310, DXR 315 on page 28* for information about the positions in the diagram.



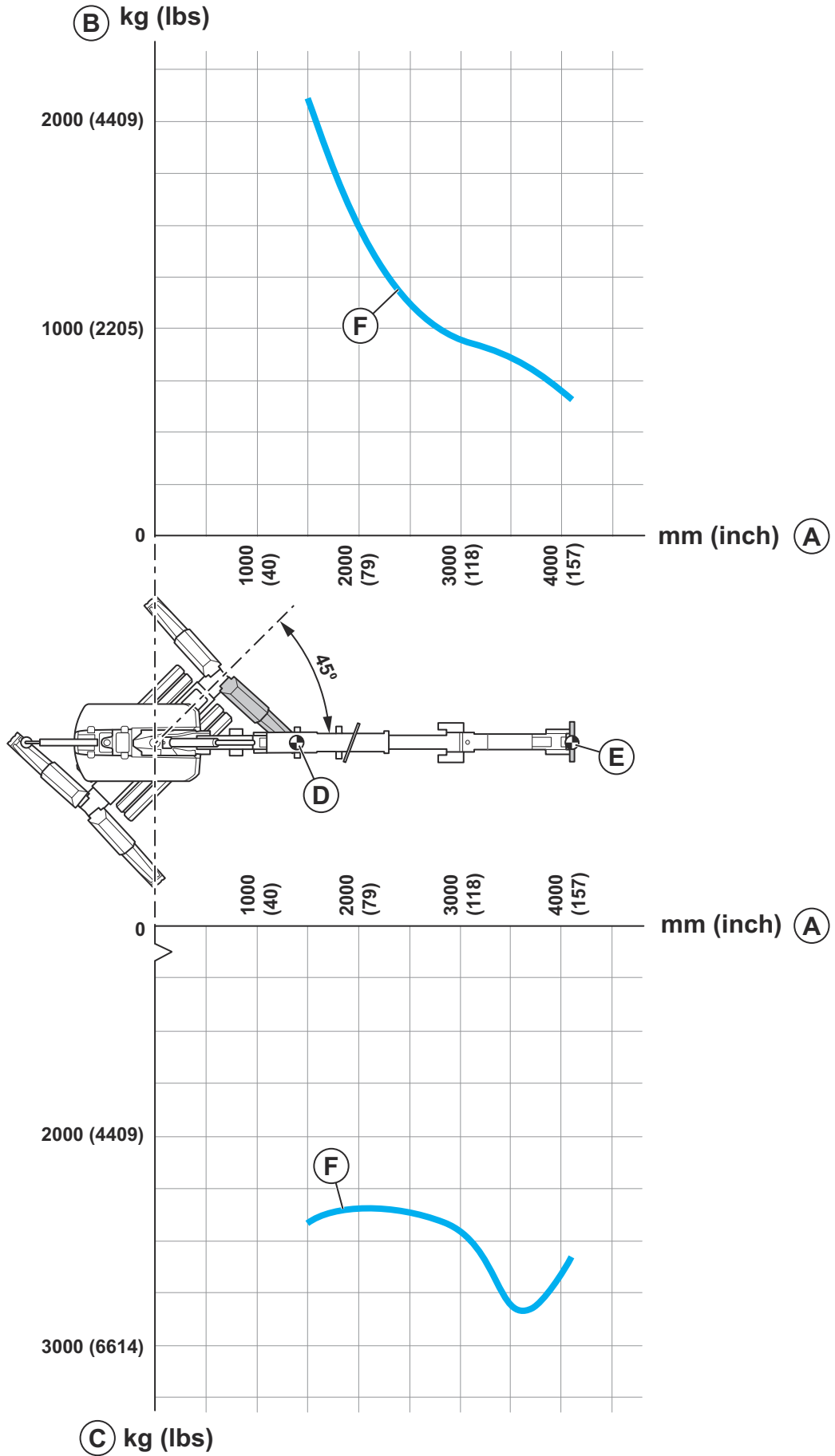
# Product on outriggers, load directed to the side DXR 310, DXR 315

Refer to *Diagram description for DXR 310, DXR 315 on page 28* for information about the positions in the diagram.



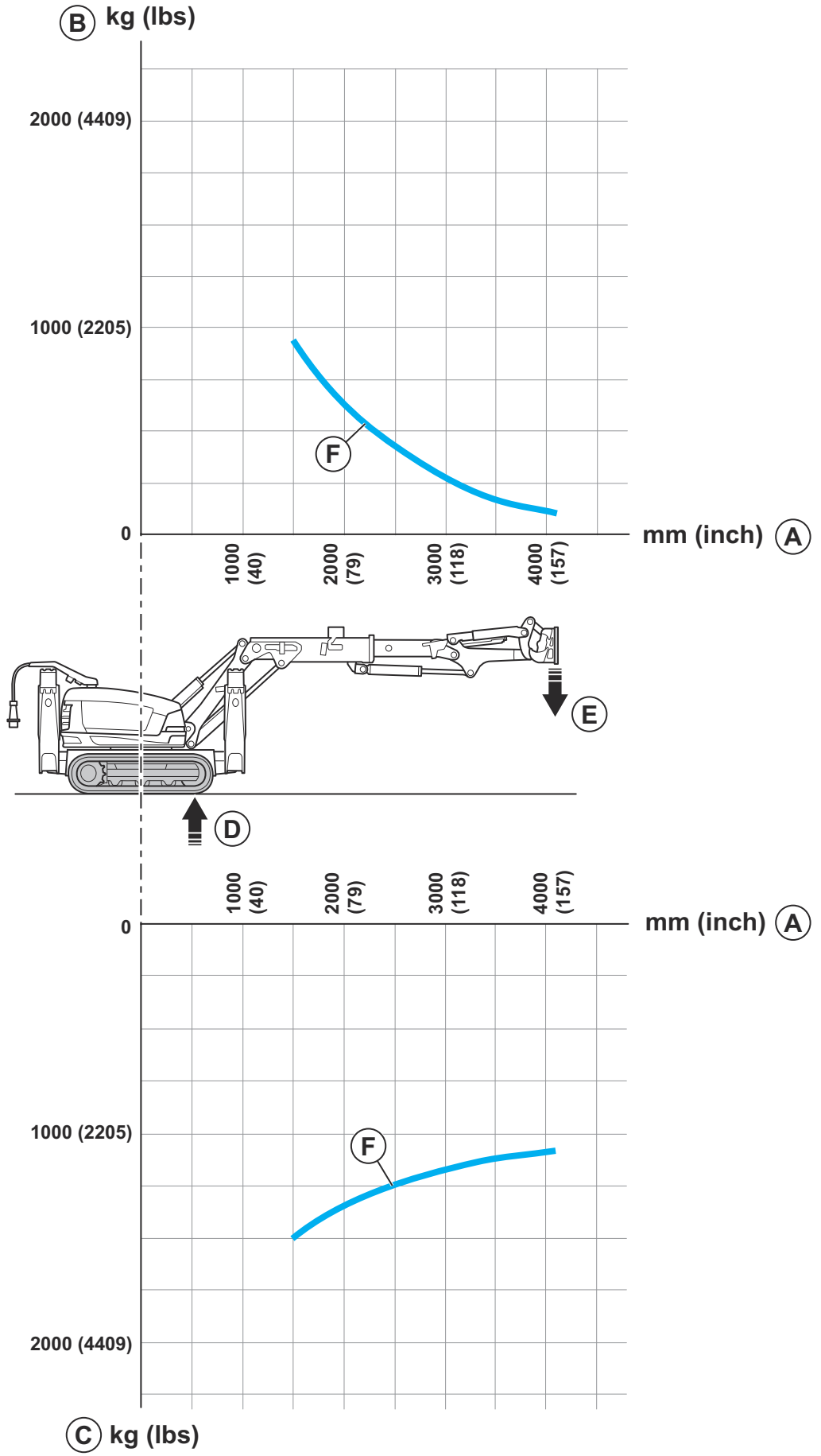
**Product on outriggers, load directed diagonally DXR 310, DXR 315**

Refer to *Diagram description for DXR 310, DXR 315 on page 28* for information about the positions in the diagram.



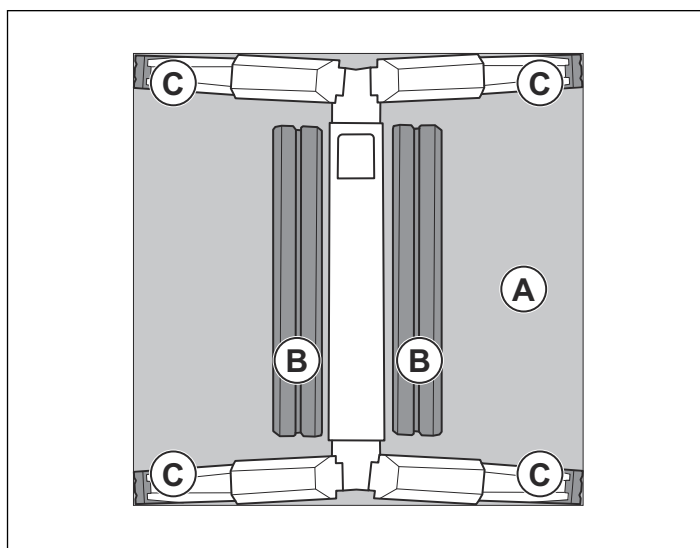
**Product on caterpillar tracks, load directed forward DXR 310, DXR 315**

Refer to *Diagram description for DXR 310, DXR 315* on page 28 for information about the positions in the diagram.





## Ground pressure



### Ground pressure

		DXR 95		DXR 140, DXR 145	DXR 250	DXR 270, DXR 275	DXR 300, DXR 305		DXR 310, DXR 315
		SB 52	SB 152	SB 152	SB 202	SB 202	SB 202	SB 302	SB 202
<b>A</b>	Propagated ground pressure, kg/m <sup>2</sup> / lb/ft <sup>2</sup> <sup>4</sup>	436 / 89	450 / 92	458 / 94	776 / 159	479 / 98	530 / 108	552 / 113	544 / 111
<b>B</b>	Ground pressure from caterpillar tracks, kg/m <sup>2</sup> / lb/ft <sup>2</sup> <sup>5</sup>	3410 / 698	3519 / 721	4136 / 851	4903 / 1002	4152 / 845	4590 / 934	4781 / 973	4715 / 959
<b>C</b>	Max point load on outriggers, kg/m <sup>2</sup> / lb/ft <sup>2</sup> <sup>6</sup>	656 / 1443	677 / 1489	1158 / 2553	1863 / 4107	1993 / 4394	2203 / 4857	2295 / 5060	2263 / 4989

### Area contact surface

		DXR 95	DXR 140, DXR 145	DXR 250	DXR 270, DXR 275	DXR 300, DXR 305	DXR 310, DXR 315
<b>A</b>	Area enclosed by outrigger support points, mm/in.	1330×1132/ 52.4×44.6	1610×1572/ 63.4×61.9	1748×1371/ 68.1×54	2071×2008/ 81.5×79	2071×2008/ 81.5×79	2071×2008/ 81.5×79
<b>B</b>	Area on each caterpillar track contact surface, mm/in.	740×130/ 29.1×5.1	790×180/ 31.1×7.1	828×230/ 32.6×9.1	1044×230/ 32.6×9.1	1044×230/ 32.6×9.1	1044×230/ 32.6×9.1
<b>C</b>	Area on each outrigger foot, mm/in	128×90/ 5×3.5	149×172/ 5.9×6.8	149×172/ 5.9×6.8	149×172/ 5.9×6.8	149×172/ 5.9×6.8	149×172/ 5.9×6.8

<sup>4</sup> Weight including breaker, divided on area enclosed by outrigger support points.

<sup>5</sup> Weight including breaker, divided on track contact surface.

<sup>6</sup> Max point load measured at tip over load, weight including breaker.







[www.husqvarnaconstruction.com](http://www.husqvarnaconstruction.com)

Original instructions



1157581-26

Rev. B



2024-02-23