



***patron***™



FP 75

EN Operator's manual  
ES-MX Manual del usuario  
FR-CA Manuel d'utilisation

2-16  
17-32  
33-48

---

# Contents

---

Introduction.....	2	Transportation, storage and disposal.....	12
Safety.....	4	Accessories.....	14
Operation.....	8	Technical data.....	15
Maintenance.....	10		

---

## Introduction

---

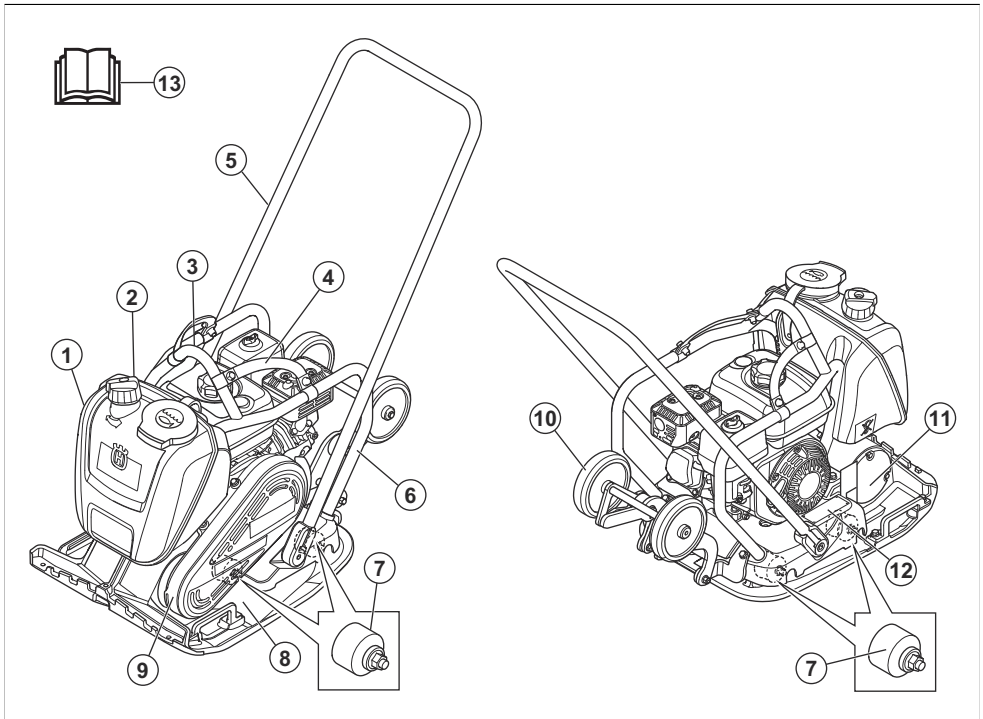
### Product description

The product is a walk-behind forward plate compactor with a combustion engine. The product is used for compaction of thin to moderately thick layers of granular soils. With the optional water tank, the product can also be used for compaction of asphalt.

### Intended use

The product is for professional operation only. Use the product for repairs and maintenance of driveways, paths and parking lots. With the optional block paving kit the product can also be used for block paving. Do not use the product for other tasks.

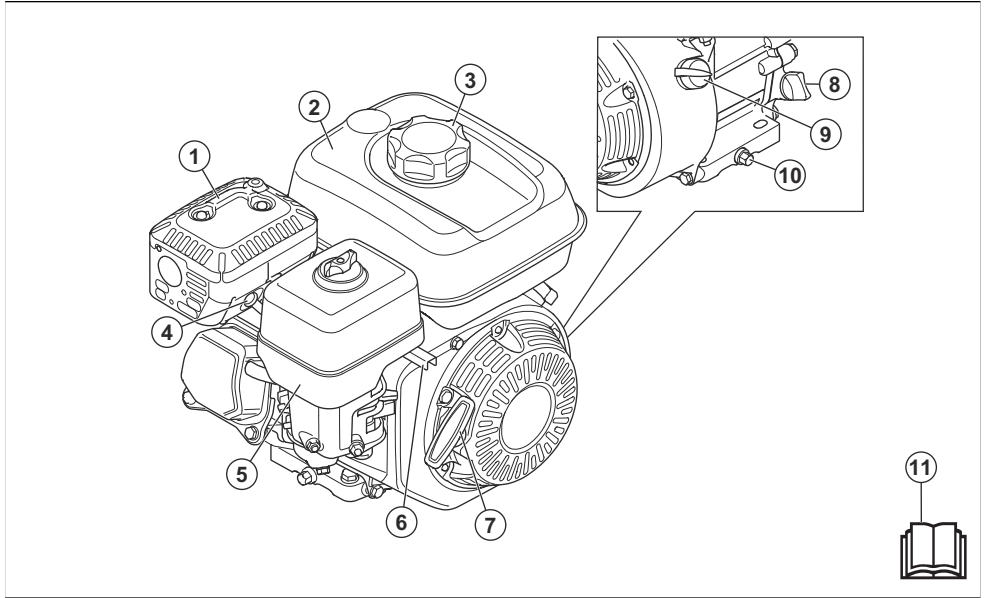
### Product overview



1. Water tank (optional)
2. Water valve
3. Lifting point
4. Straps (optional)
5. Handle
6. Safety frame
7. Vibration damping units

8. Bottom plate
9. V-belt cover
10. Transport wheels (optional)
11. Eccentric element
12. Type plate
13. Operator's manual

# Engine overview



- 1. Muffler
- 2. Fuel tank
- 3. Fuel tank cap
- 4. Spark plug
- 5. Air filter
- 6. Throttle control
- 7. Starter rope handle
- 8. Oil tank / dipstick
- 9. Engine ON/OFF switch
- 10. Drain plug for engine oil
- 11. Operator's manual



Unleaded gasoline with a maximum of 10% ethanol.



Use hearing protection.



Risk of injury. Be careful around the drive belt.

## Symbols on the product



**WARNING:** Be careful and use the product correctly. This product can cause serious injury or death to the operator or others.



Hot surface.



Read the manual carefully and make sure that you understand the instructions before you use the product.



Keep your hands away from this area.



Read the manual carefully and make sure that you understand the instructions before you use the product.



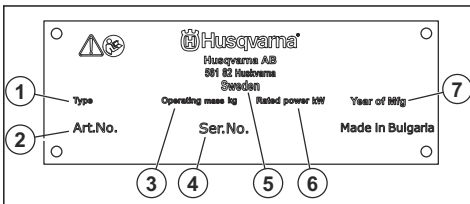
Lifting point on the safety frame.



Noise emission to the environment as referred to in the EC directive. The emission of the product is specified in *Technical data on page 15* and on the label.

**Note:** Other symbols/decals on the product refer to special certification requirements for some markets.

## Type plate



1. Product type
2. Product number
3. Product weight
4. Serial number
5. Manufacturer
6. Rated power
7. Production year

## Product damage

We are not responsible for damages to our product if:

- the product is incorrectly repaired.
- the product is repaired with parts that are not from the manufacturer or not approved by the manufacturer.
- the product has an accessory that is not from the manufacturer or not approved by the manufacturer.
- the product is not repaired at an approved service center or by an approved authority.

## Safety

### Safety definitions

Warnings, cautions and notes are used to point out specially important parts of the manual.



**WARNING:** Used if there is a risk of injury or death for the operator or bystanders if the instructions in the manual are not obeyed.



**CAUTION:** Used if there is a risk of damage to the product, other materials or the adjacent area if the instructions in the manual are not obeyed.

**Note:** Used to give more information that is necessary in a given situation.

### General safety instructions



**WARNING:** Read the warning instructions that follow before you use the product.

- This product is a dangerous tool if you are not careful or if you use the product incorrectly. This

product can cause serious injury or death to the operator or others. Before you use the product, you must read and understand the contents of this operator's manual.

- This product is not intended for use by persons (including children) with reduced physical, sensory or mental capabilities, or lack of experience and knowledge.
- Save all warnings and instructions.
- Comply with all applicable laws and regulations.
- The operator and the employer of the operator must know and prevent the risks during operation of the product.
- Do not let a person operate the product unless they read and understand the contents of the operator's manual.
- Do not operate the product unless you receive training before use. Make sure that all operators receive training.
- Do not let a child operate the product.
- Only let approved persons operate the product.
- The operator is responsible for accidents that occur to other persons or their property.
- Do not use the product if you are tired, ill, or under the influence of alcohol, drugs or medicine.
- Always be careful and use your common sense.

- This product produces an electromagnetic field during operation. This field can under some circumstances interfere with active or passive medical implants. To decrease the risk of serious injury or death, we recommend persons with medical implants to speak to their physician and the medical implant manufacturer before operating this product.
- Keep the product clean. Make sure that you can clearly read signs and decals.
- Do not use the product if it is damaged.
- Do not make modifications to this product.
- Do not operate the product if it is possible that other persons have made modifications to the product.

## Safety instructions for operation



**WARNING:** Read the warning instructions that follow before you use the product.

- Make sure that you know how to stop the engine quickly in an emergency.
- The operator must have the physical strength that is necessary to operate the product safely.
- Do not operate the product without all protective covers installed.
- Use personal protective equipment. Refer to *Personal protective equipment on page 6*.
- Make sure that only approved persons are in the work area.
- Keep the work area clean and bright.
- Make sure that you are in a safe and stable position during operation.
- Make sure that all parts of the product are cool before you touch it.
- Make sure that there is no grease or oil on the handle.
- Do not use the product in areas where fire or explosions can occur.
- The product can cause objects to eject at high speed. Make sure that all persons in the work area use approved personal protective equipment. Remove loose objects from the work area.
- Before you go away from the product, stop the engine and make sure that there is no risk of accidental start.
- Make sure that clothes, long hair and jewelry do not get caught in moving parts.
- Do not sit on the product.
- Do not hit the product.
- Always operate the product from behind with your hands on the handle.
- Do not operate the product near electrical cables. The product does not have electrical insulation and injury or death can occur.
- Before you operate the product, find out if there are hidden wires, cables and pipes in the work area. If the product hits a hidden object, stop the engine immediately and examine the product and the object. Do not start to operate the product again until you know that it is safe to continue.

## Vibration safety



**WARNING:** Read the warning instructions that follow before you use the product.

- During operation of the product, vibrations go from the product to the operator. Regular and frequent operation of the product can cause or increase the degree of injuries to the operator. Injuries can occur in fingers, hands, wrists, arms, shoulders, and/or nerves and blood supply or other body parts. The injuries can be debilitating and/or permanent, and can increase gradually during weeks, months or years. Possible injuries include damage to the blood circulation system, the nervous system, joints, and other body structures.
- Symptoms can occur during operation of the product or at other times. If you have symptoms and continue to operate the product, the symptoms can increase or become permanent. If these or other symptoms occur, get medical aid:
  - Numbness, loss of feeling, tingling, pricking, pain, burning, throbbing, stiffness, clumsiness, loss of strength, changes in skin color or condition.
- Symptoms can increase in cold temperatures. Use warm clothing and keep your hands warm and dry when you operate the product in cold environments.
- Do maintenance on and operate the product as given in the operator's manual, to keep a correct vibration level.
- The product has a vibration damping system that decreases the vibrations from the handles to the operator. Let the product do the work. Do not push the product with force. Hold the product at the handles lightly, but make sure that you control the product and operate it safely. Do not push the handles into the end stops more than necessary.
- Keep your hands on the handle or handles only. Keep all other body parts away from the product.
- Stop the product immediately if strong vibrations suddenly occurs. Do not continue the operation before the cause of the increased vibrations is removed.

## Dust safety



**WARNING:** Read the warning instructions that follow before you use the product.

- Operation of the product can cause dust in the air. Dust can cause serious injury and permanent health problems. Silica dust is regulated as harmful by several authorities. These are examples of such health problems:
  - The fatal lung diseases chronic bronchitis, silicosis and pulmonary fibrosis
  - Cancer
  - Birth defects
  - Skin inflammation
- Use correct equipment to decrease the quantity of dust and fumes in the air and to decrease dust on work equipment, surfaces, clothing and body parts. Examples of controls are dust collection systems and water sprays to bind dust. Decrease dust at the source where possible. Make sure that the equipment is correctly installed and used and that regular maintenance is done.
- Use approved respiratory protection. Make sure that the respiratory protection is applicable for the dangerous materials in the work area.
- Make sure that the airflow is sufficient in the work area.
- If it is possible, point the exhaust of the product where it cannot cause dust to go into the air.
- High noise levels and long-term exposure to noise can cause noise-induced hearing loss.
- To keep the noise level to a minimum, do maintenance on and operate the product as given in the operator's manual.
- Examine the muffler for damages. Make sure that the muffler is correctly attached to the product.
- Use approved hearing protection while you operate the product.
- Listen for warning signals and voices when you use hearing protection. Remove the hearing protection when the product is stopped, unless hearing protection is necessary for the noise level in the work area.

---

## Personal protective equipment

---



**WARNING:** Read the warning instructions that follow before you use the product.

---

- Always use approved personal protective equipment when you operate the product. Personal protective equipment cannot fully prevent injury but it decreases the degree of injury if an accident does occur. Let your dealer help you select the correct personal protective equipment.
- Regularly do a check of the condition of the personal protective equipment.
- Use an approved protective helmet.
- Use approved hearing protection.
- Use approved respiratory protection.
- Use approved eye protection with side protection.
- Use protective gloves.
- Use boots with steel toe-cap and non-slip sole.
- Use approved work clothing or equivalent close-fitting clothing that has long sleeves and long legs.

## Fire extinguisher

- Keep a fire extinguisher near during operation.
- Use a powder fire extinguisher of "ABE" class or a carbon dioxide fire extinguisher of "BE" type.

---

## Safety devices on the product

---



**WARNING:** Read the warning instructions that follow before you use the product.

---

- Do not use a product with safety devices that are damaged or do not operate correctly.
- Do a check of the safety devices regularly. If the safety devices are damaged or do not operate correctly, speak to your Husqvarna service agent.
- Do not make modifications to safety devices.

---

## Exhaust fumes safety

---



**WARNING:** Read the warning instructions that follow before you use the product.

---

- The exhaust fumes from the engine contain carbon monoxide which is an odourless, poisonous and very dangerous gas. To breathe carbon monoxide can cause death. Because carbon monoxide is odourless and cannot be seen, it is not possible to sense it. A symptom of carbon monoxide poisoning is dizziness, but it is possible that a person becomes unconscious without warning if the quantity or concentration of carbon monoxide is sufficient.
- Exhaust fumes also contain unburned hydrocarbons including benzene. Long-term inhalation can cause health problems.
- Exhaust fumes that you can see or smell also contain carbon monoxide.
- Do not use a combustion engine product indoors or in areas that do not have sufficient airflow.
- Do not breathe the exhaust fumes.
- Make sure that the airflow in the work area is sufficient. This is very important when you operate the product in trenches or other small work areas where exhaust fumes can easily collect.

---

## Noise safety

---



**WARNING:** Read the warning instructions that follow before you use the product.

---

## Muffler

The muffler keeps the noise levels to a minimum and sends the exhaust fumes away from the operator.

Do not use the product if the muffler is missing or damaged. A damaged muffler increases the noise level and the risk of fire.



**WARNING:** The muffler becomes very hot during and after use and when the engine operates at idle speed. Be careful near flammable materials and/or fumes to prevent fire.

### To do a check of the muffler

- Examine the muffler regularly to make sure that it is attached correctly and not damaged.

### Engine ON/OFF switch (Honda)

The engine can only start when the engine ON/OFF switch is set to "ON". The engine stops when you set the engine ON/OFF switch to "OFF".

### To do a check of the engine ON/OFF switch

1. Start the engine. Refer to *To start the product (Honda) on page 8*.
2. Set the engine ON/OFF switch to "OFF". The engine stops.

### Safety frame

The safety frame prevents damage to the product if it falls. The handle and the lifting point are parts of the safety frame.

### To do a check of the safety frame

- Make sure that there are no cracks or other damages on the safety frame.
- Make sure that the safety frame is correctly installed on the product.

### Vibration damping units

The vibration damping units decrease vibration in the product. The vibration damping units decrease harmful vibrations to prevent injury to the operator and damage to the product.

### To do a check of the vibration damping units

There are 4 vibration damping units, 2 on the left side and 2 on the right side of the product.

- Make sure that the vibration damping units are correctly installed.
- Examine the vibration damping units for damages and wear.
- Replace the vibration damping units if it is necessary.

## Fuel safety



**WARNING:** Read the warning instructions that follow before you use the product.

- Fuel is flammable and the fumes are explosive. Be careful with fuel to prevent injury, fire and explosion.
- Do not breathe in the fuel fumes. The fuel fumes are poisonous and can cause injury. Make sure that the airflow is sufficient.
- Do not remove the fuel tank cap or fill the fuel tank when the engine is on.
- Make sure that the engine is cool before you refuel.
- Do not fill fuel in an indoor area. Insufficient airflow can cause injury or death because of asphyxiation or carbon monoxide poisoning.
- Do not smoke near the fuel or the engine.
- Do not put hot objects near the fuel or the engine.
- Do not fill fuel near sparks or flames.
- Before you refuel, open the fuel tank cap slowly and release the pressure carefully.
- Fuel on your skin can cause injury. If you get fuel on your skin, use soap and water to remove the fuel.
- If you spill fuel on your clothing, change clothing immediately.
- Do not fill the fuel tank fully. Heat causes the fuel to expand. Keep a space at the top of the fuel tank.
- Tighten the fuel tank cap fully. If the fuel tank cap is not tightened, there is a risk of fire.
- Before you start the product, move the product to a minimum of 3 m/10 ft from where you refueled.
- Do not start the product if there is fuel or engine oil on the product. Remove the unwanted fuel and engine oil and let the product dry before you start the engine.
- Examine the engine for leaks regularly. If there are leaks in the fuel system, do not start the engine until the leaks are repaired.
- Do not use your fingers to examine the engine for leaks.
- Keep fuel in approved containers only.
- When the product and fuel is in storage, make sure that fuel and fuel fumes cannot cause damage.
- Drain the fuel in an approved container outdoors and away from sparks and flames.

### Safety instructions for operation on slopes



**WARNING:** Read the warning instructions that follow before you use the product.

- Do not operate the product on a slope that is more than 20°. Loose ground, vibrations and the operation speed can cause the product to fall on a slope that is less than 20°.

- Make sure that the work area is safe. Wet and loose soil decreases safe operation of the product. Be very careful on slopes and rough surfaces.
- Make sure that all persons in the work area are above the product on the slope.
- Operate the product up and down the slope, not from side to side.
- Do not park the product on a slope. If you must park the product on a slope, make sure that the product cannot fall. There is a risk of injury and damage.

- Use personal protective equipment. Refer to *Personal protective equipment on page 6*.
- Stop the engine and make sure that all parts of the product are cool before you do the maintenance.
- Clean the product to remove dangerous material before you do the maintenance.
- Disconnect the spark plug cap before you do the maintenance.
- The exhaust fumes from the engine are hot and can contain sparks. Do not operate the product in indoor areas or near flammable material.
- Do not change the product. Modifications that are not approved by the manufacturer, can cause serious injury or death.
- Always use original accessories and spare parts. Accessories and spare parts that are not approved by the manufacturer, can cause serious injury or death.
- Replace damaged, worn or broken parts.
- Only do the maintenance as given in this operator's manual. Let an approved service center do all other servicing.
- Remove all tools from the product before you start the engine after maintenance. Loose tools or tools attached to rotating parts can eject and cause injury.
- After maintenance, do a check of the vibration level in the product. If it is not correct, speak to an approved service center.
- Let an approved service center do servicing on the product regularly.

### Safety instructions for operation near edges



**WARNING:** Read the warning instructions that follow before you use the product.

- There is a risk that the product falls when you operate it near an edge. Always keep a minimum of ¾ of the product on a surface that is sufficiently stable to hold the product weight.
- If the product falls, stop the engine before you lift the product back to a surface that is sufficiently stable. Refer to *To lift the product on page 13*.

### Safety instructions for maintenance



**WARNING:** Read the warning instructions that follow before you use the product.

- If the maintenance is not done correctly and regularly, the risk of injury and damage to the product increases.

## Operation

### Introduction



**WARNING:** Read and understand the safety chapter before you use the product.



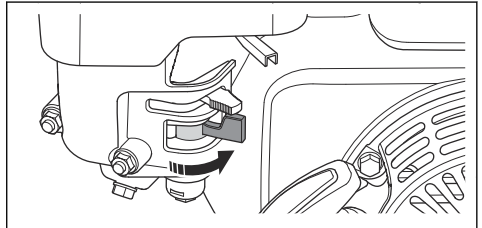
**CAUTION:** Do not add other fluids than water to the water tank. Other fluids can cause damage to the product and be harmful to the environment.

### To do before you operate the product

- Read the operator's manual carefully and make sure that you understand the instructions.
- Read the engine manual that is supplied by the engine manufacturer.
- Do the daily maintenance. Refer to *Maintenance schedule on page 10*.

### To start the product (Honda)

1. Open the fuel valve.

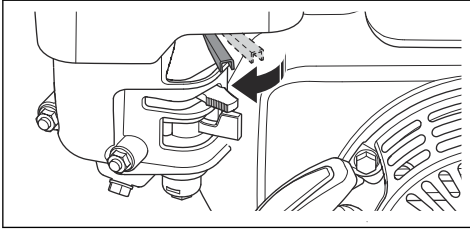


### Water tank

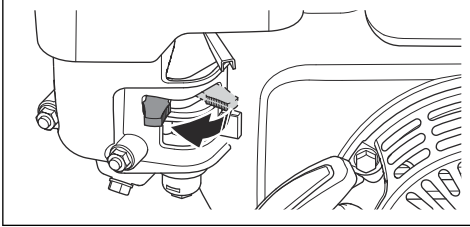
For FP 75 there is an optional water tank for compaction of asphalt.



- Set the throttle control to 1/4 throttle.

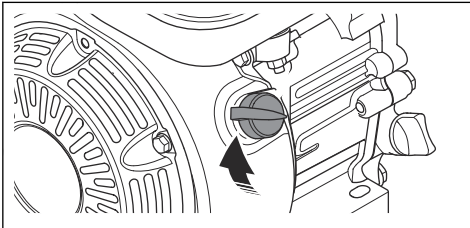


- Set the choke control in the correct position.

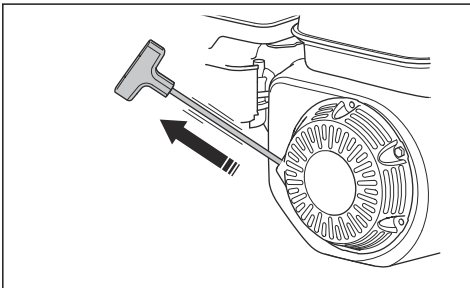


- If the engine is cold, close the choke.
- If the engine is warm or the ambient temperature is high, open the choke.

- Set the engine ON/OFF switch to "ON".

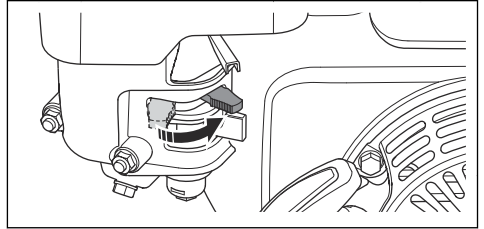


- Pull the starter rope handle slowly until you feel resistance.

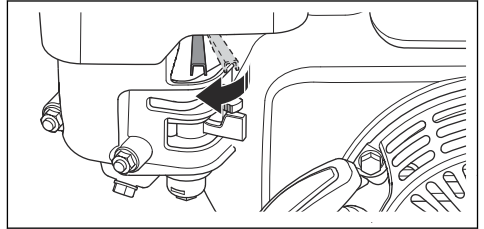


- Release the starter rope handle to let the starter go back.

- Pull the starter rope handle until the engine starts.
- Open the choke control gradually until it is fully open.



- Let the engine operate at idle speed for 2–3 minutes.
- Set the throttle control to full throttle.



## To stop the product

- Move the throttle control to the idle speed position.
- Set the ON/OFF switch to "OFF". The engine stops.
- Move the fuel valve to the "OFF" position.

## To operate the product



**CAUTION:** Always operate the product forward and at full throttle. Lower engine speed and rearward movement prevent correct function of the eccentric element and can cause product failure.

- Make sure that the throttle control is set to full throttle.
- Carefully push the product forward.



**CAUTION:** Do not push the product down. Too much pressure can cause unsatisfactory result.

- To change direction, turn the product around.
  - To turn the product with a minimum turning radius, lift the handle to a 90 degrees angle. Use this function in small spaces and on ground that is not level.

# Maintenance

## Introduction



**WARNING:** Read and understand the safety chapter before you do maintenance on the product.

X = The instructions are given in this operator's manual.

O = Refer to the instructions in the engine manual supplied by the engine manufacturer.

## Maintenance schedule

\* = General maintenance done by the operator. The instructions are not given in this operator's manual.

General product maintenance	Before use, each 10 h	Weekly, each 100 h
Make sure that there are no fuel or oil leaks.	*	
Clean the product.	X	
Make sure that nuts and screws are tightened.	*	
Examine the throttle control and choke control for damage.	*	
Make sure that the throttle control and the choke control can move smoothly.	*	
Lubricate the controls and linkages.	*	
Examine the vibration damping units for damage.		X
Examine the tension of the V-belt and look for damages. Adjust or replace the V-belt as necessary.		X

Engine maintenance	Before use, each 10 h	After the first 20 h	Weekly, each 100 h	Yearly, each 300 h
Do a check of the fuel level and the engine oil level.	X			
Clean the cooling fins of the engine.	O			
Examine the air filter. Clean the air filter if it is necessary.	X	X		
Clean the air filter.			X	
Replace the air filter.				X
Replace the engine oil.		X	X	X
Do a check of the engine speed.		O	O	O
Examine and clean the spark plug. Replace the spark plug if it is necessary.			O	
Replace the spark plug.				O
Clean the fuel valve of the carburetor.			O	O
Clean the spark arrester screen on the muffler.			O	O
Adjust the valve head clearance for the air intake and the exhaust valves.				O

Engine maintenance	Before use, each 10 h	After the first 20 h	Weekly, each 100 h	Yearly, each 300 h
Drain the fuel and clean the fuel tank and the fuel filter.			○	○
Clean and adjust the carburetor.				○
Replace the fuel filter.				○

## To do a general inspection

- Make sure that all nuts and screws on the product are tightened correctly.

## To clean the product

- Use running water from a hose or a high-pressure washer to clean the product.



**CAUTION:** Do not point the water directly at the fuel tank cap, electrical components or the engine.

- Remove grease and oil from the handle.

## To do a check of the engine oil level

1. Remove the oil tank cap and dipstick.
2. Clean the oil from the dipstick.
3. Put the dipstick back fully into the oil tank.
4. Remove the dipstick.
5. Examine the oil level on the dipstick.
6. If the oil level is low, fill with engine oil and do a check of the oil level again. Refer to *Technical data on page 15* or the engine manual for the correct type of oil.

## To replace the engine oil (Honda)

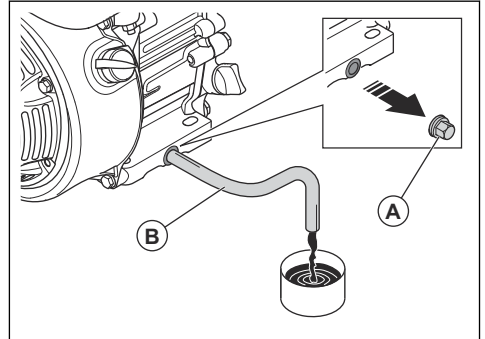
If the engine is cold, start the engine for 1–2 minutes before you drain the engine oil. This makes the engine oil warm and easier to drain.



**WARNING:** Engine oil is very hot directly after the engine stops. Let the engine become cool before you drain the engine oil. If you spill engine oil on your skin, clean with soap and water.

1. Put a container below the drain plug for the engine oil.

2. Remove the oil drain plug (A) and connect a hose (B).



3. Tilt the product and let the oil run out into the container.
4. Remove the hose.
5. Install the oil drain plug and tighten it.
6. Fill with new engine oil. Refer to *Technical data on page 15* or the engine manual for the correct type of oil.
7. Do a check of the engine oil level.

## Air filter



**WARNING:** Use approved respiratory protection when you clean or replace the air filter. Discard used air filters correctly. Inhalation of the dust in the air filter may be dangerous to your health.



**CAUTION:** Always replace a damaged air filter, or the dust will go into the engine and cause engine damage.

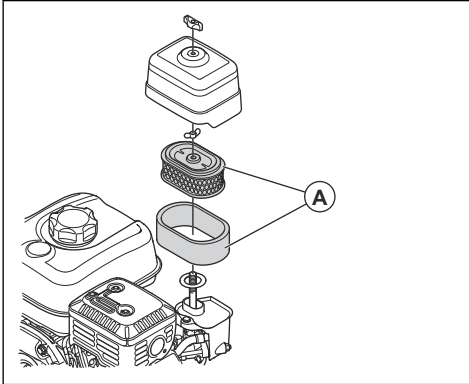
## To clean or replace the air filter (Honda)



**WARNING:** Do not clean the air filter with compressed air. This causes damage to the air filter and the risk increases that you breathe the dangerous dust.

1. Turn the knob on the air filter cover and remove the air filter cover.

2. Remove the paper filter element and the foam filter element (A).



3. Clean the air filter housing with a brush.
4. Examine the air filter elements for damage.
5. Tap the paper filter element against a hard surface or use a vacuum cleaner to remove the particles.



**CAUTION:** Do not let the nozzle of the vacuum cleaner touch the surface of the paper filter element. Keep a small distance. The sensitive surface of the paper filter element becomes damaged if objects touch it.

6. Clean the foam filter element with a solution of soap and water.
7. Flush the foam filter element in clean water.
8. Compress the foam filter element to remove the water and let the foam filter element dry fully.
9. Lubricate the foam filter element with engine oil.
10. Push a clean cloth against the foam filter element to remove unwanted oil.

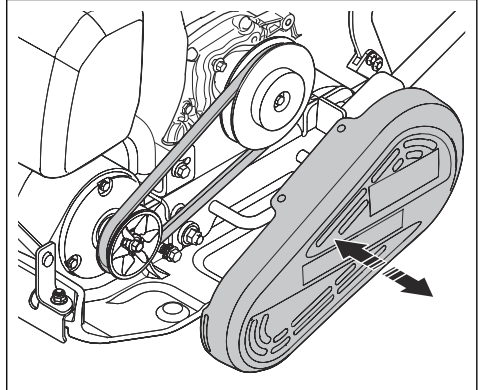
11. Install the air filter in the opposite sequence.

## To do a check of the V-belt



**WARNING:** Do not operate the product without the V-belt cover installed.

1. Stop the engine.
2. Remove the V-belt cover.



3. Examine the V-belt for damages and wear. Replace the V-belt if it is necessary.
4. Examine the tension of the V-belt.
5. If the tension is not sufficient, do these steps:
  - a) Loosen the 4 bolts that hold the engine to the bottom plate.
  - b) Move the engine rearward.
  - c) Make sure that the V-belt pulleys align and tighten the 4 bolts.
6. Install the V-belt cover.

## Transportation, storage and disposal

### Transportation



**WARNING:** Be careful during transportation. The product is heavy and can cause injury or damage if it falls or moves during transportation.

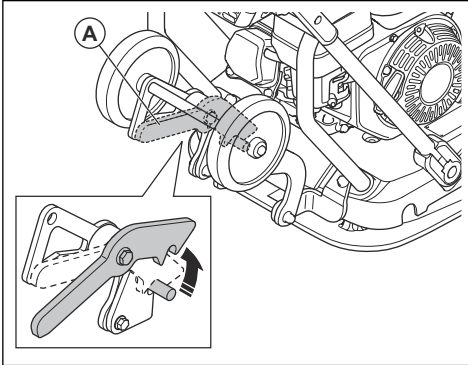
Transport wheels let you move the product manually for shorter distances. For longer distances, lift the product to move it or put the product on a vehicle.



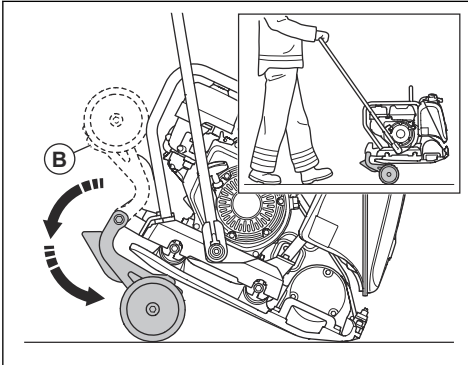
**CAUTION:** Do not tow the product behind a vehicle.

## To engage the transport wheels (optional)

1. Release the hook (A).



2. Fold the wheels (B) down, below the bottom plate.



## To lift the product



**WARNING:** Make sure that the lifting equipment has the correct specification to lift the product safely. The type plate on the product shows the product weight.

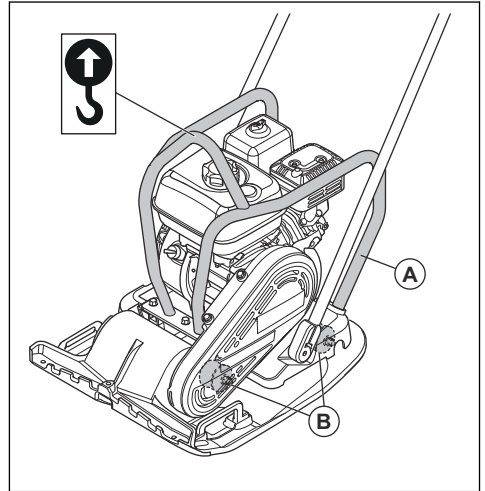


**WARNING:** Do not walk or stay below or near a lifted product.



**CAUTION:** Do not use metal hooks, chains or other lifting equipment with rough edges that can cause damage to the safety frame.

1. Attach the lifting equipment at the lifting point of the safety frame. A label on the product identifies the correct position.

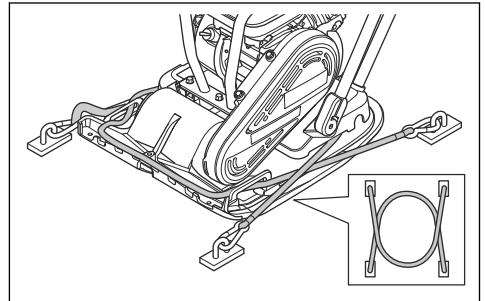


**WARNING:** Do not lift a damaged product. Make sure that the safety frame (A) and the vibration damping units (B) are correctly installed and not damaged.

2. Lift the product.

## To safety the product to a transportation vehicle with tie-down straps

- Put 2 straps around the bottom plate.



- a) Put 1 strap around the front of the bottom plate and attach the strap to the vehicle.
- b) Put 1 strap around the rear of the bottom plate and attach the strap to the vehicle.

## Storage

- Remove all fuel from the fuel tank before you put the product in storage for a long period of time. Discard the fuel at an applicable disposal location.
- Clean the product before storage. Remove oil and dust from the rubber parts.

- Clean the air filter before storage.
- Carefully pull the starter rope handle until there is a small resistance. This closes the valves and makes sure that moisture cannot go into the engine cylinder.
- Put a protective cover on the product.
- Keep the product in a dry and frost free area.
- Keep the product in a locked area to prevent access for children or persons that are not approved.

## Disposal

- Obey the local recycling requirements and applicable regulations.
- Discard all chemicals, such as engine oil or fuel, at a service center or at an applicable disposal location.
- When the product is no longer in use, send it to a Husqvarna dealer or discard it at a recycling location.

---

## Accessories

---

Accessory	
Transport wheel kit, part number	594 20 49-01
Water Tank, part number	596 39 29-02
Forklifting device, part number	595 50 31-01
Low Vibration Handle, part number	594 20 50-01
Block paving kit, part number	594 86 81-01

---

## Technical data

---

### Technical data

Net weight, kg/lb	86.6/191
Operation weight (EN500, incl. oil, ½ fuel), kg/lb	94.5/208
Engine brand, type	Honda, GX160
Engine power, kW/hp @rpm <sup>1</sup>	3.6/4.8 @3600
Vibration frequency, Hz/rpm	95/5700
Amplitude, mm/in.	1/0.39
Centrifugal force, kN/lbf	14.6/3282
Operation speed, m/min / ft./min	27 / 88.6
Max. tilt, degrees/%	17/30
Fuel tank capacity, l/qts	3.1/3.3
Engine oil capacity *, l/qts	0.6/0.63
Fuel consumption, l/h or qts/h	1.21 or 1.28
Water tank for asphalt, l/gal (optional)	13/3.4
Fuel *	Unleaded gasoline, max. 10% ethanol
Engine oil *	SAE 10W-30, API Class SJ
<b>Noise and vibration emissions</b>	
Sound power level, measured dB (A)	102

\* = For further information and questions about this specific engine, refer to the engine manual or the web site of the engine manufacturer.

### Noise and vibration declaration statement

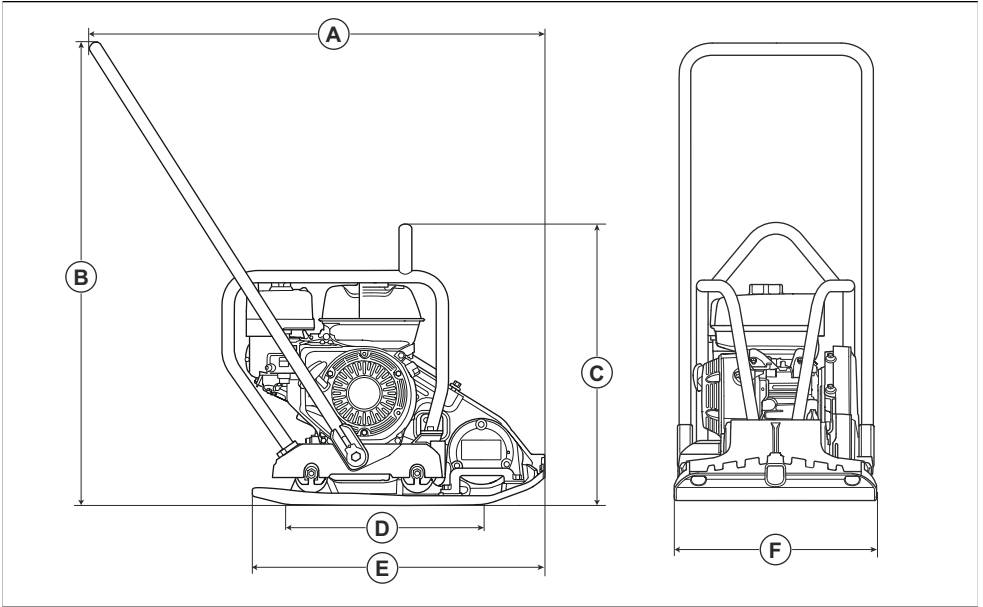
These declared values were obtained by laboratory type testing in accordance with the stated directive or standards and are suitable for comparison with the

declared values of other products tested in accordance with the same directive or standards. These declared values are not suitable for use in risk assessments and values measured in individual work places may be higher. The actual exposure values and risk of harm experienced by an individual user are unique and depend upon the way the user works, in what material the product is used, as well as upon the exposure time and the physical condition of the user, and the condition of the product.

---

<sup>1</sup> As specified by the engine manufacturer. The power rating of the engine indicated is the average net output (at specified rpm) of a typical production engine for the engine model measured to SAE standard J1349/ISO1585. Mass production engines may differ from this value. Actual power output for the engine installed on the final product will depend on the operating speed, environmental conditions and other values.

## Product dimensions



<b>A</b>	Length including handle, mm/in.	926/36.5	<b>D</b>	Bottom plate contact area, m <sup>2</sup> /sq. ft.	0.142/1.5
<b>B</b>	Handle height, mm/in.	940/37	<b>E</b>	Length bottom plate, mm/in.	570/22.4
<b>C</b>	Height at lifting point on the safety frame, mm/in.	595/23.4	<b>F</b>	Width, mm/in.	420/16.5



# Contenido

Introducción.....	17	Transporte, almacenamiento y eliminación de residuos.....	28
Seguridad.....	19	Accesorios.....	30
Funcionamiento.....	24	Datos técnicos.....	31
Mantenimiento.....	25		

## Introducción

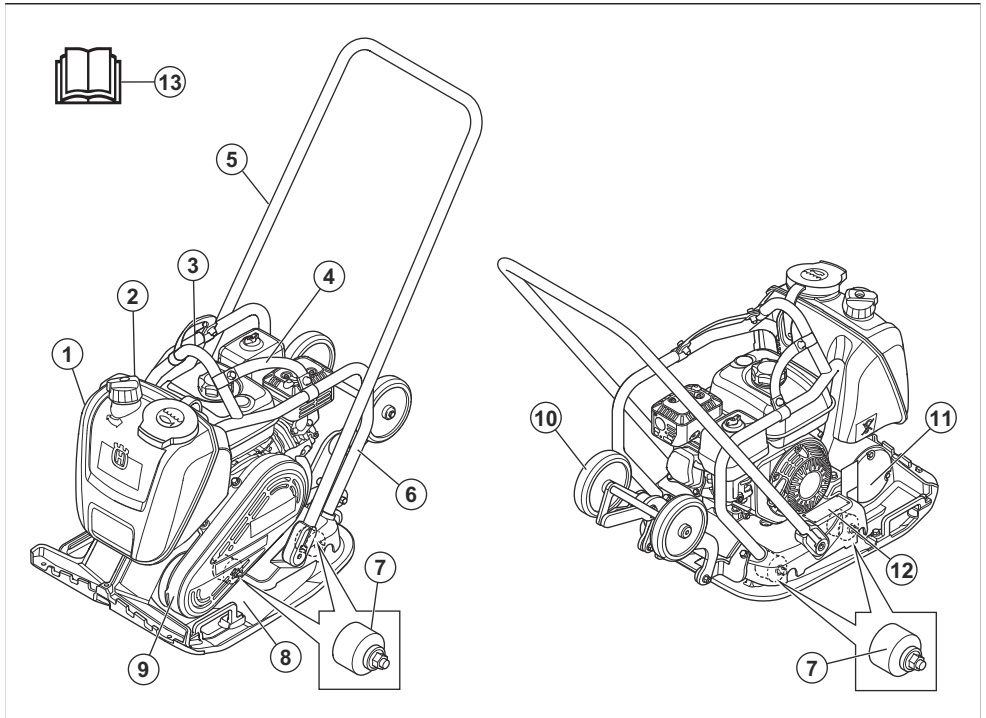
### Descripción del producto

El producto es un compactador de placa de avance de conducción manual con un motor de combustión. El producto se utiliza para la compactación de capas finas a moderadamente gruesas de suelos granulares. Con el depósito de agua optativo, el producto también se puede utilizar para la compactación de asfalto.

### Uso previsto

El producto es solo para el uso por parte de profesionales. Utilice el producto para la reparación y el mantenimiento de entradas de garajes, caminos y estacionamientos. Con el kit de adoquinado opcional, el producto también se puede utilizar para el adoquinado. No utilice el producto para otras tareas.

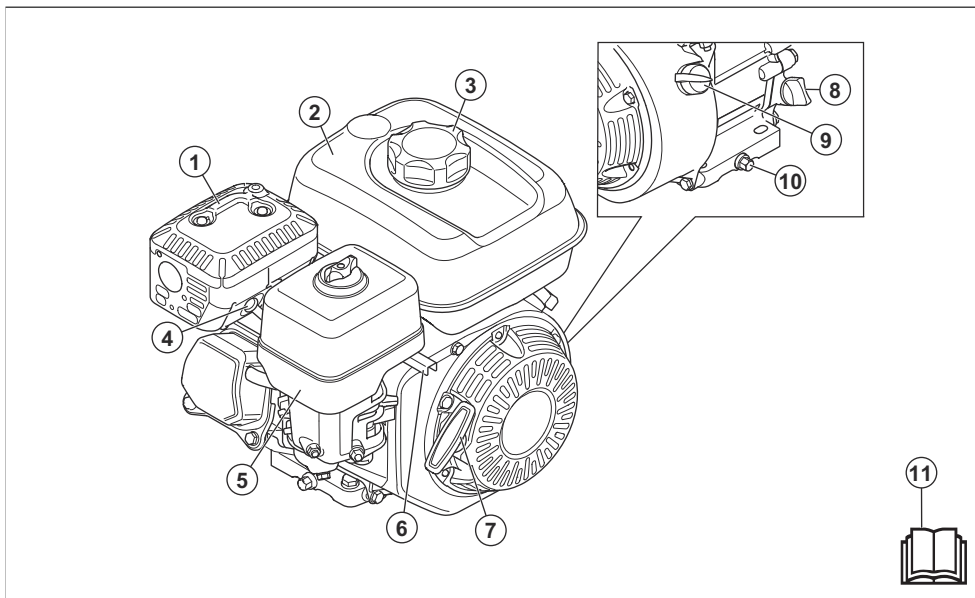
### Descripción general del producto



1. Depósito de agua (opcional)
2. Válvula de agua
3. Punto de elevación
4. Correas (opcional)
5. Manilla
6. Bastidor de seguridad

7. Amortiguadores de vibraciones
8. Placa inferior
9. Cubierta de la correa en V
10. Ruedas de transporte (opcional)
11. Elemento excéntrico
12. Placa de características

## Descripción general del motor



1. Silenciador
2. Depósito de combustible
3. Tapa del depósito de combustible
4. Bujía
5. Filtro de aire
6. Acelerador
7. Empuñadura de la cuerda de arranque
8. Depósito de aceite/varilla de nivel
9. Interruptor ON/OFF (Encendido/Apagado) del motor
10. Tapón de drenaje del aceite del motor
11. Manual de usuario



Gasolina sin plomo con un máximo de un 10 % de etanol.



Use protectores auriculares.



Riesgo de lesiones. Tenga cuidado alrededor de la correa de transmisión.

### Símbolos en el producto



**ADVERTENCIA:** Tenga cuidado y utilice el producto correctamente. Este producto puede causar daños graves o fatales al operador o a otras personas.



Superficie caliente.



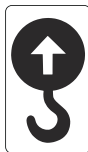
Lea atentamente el manual y asegúrese de que entienda las instrucciones antes de usar el producto.



Mantenga las manos alejadas de esta área.



Lea atentamente el manual y asegúrese de que entienda las instrucciones antes de usar el producto.



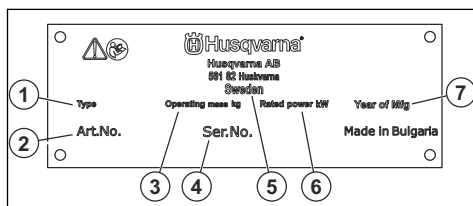
Punto de elevación en el bastidor de seguridad.



Las emisiones sonoras hacia el medioambiente según la directiva CE. Las emisiones del producto se especifican en *Datos técnicos en la página 31* y en la etiqueta.

**Tenga en cuenta:** Otros símbolos o etiquetas en el producto hacen referencia a requisitos de certificación especiales para algunos mercados.

## Placa de características



1. Tipo de producto
2. Número de la máquina
3. Peso del producto
4. Número de serie
5. Fabricante
6. Potencia nominal
7. Año de fabricación

## Daños en el producto

No somos responsables de los daños a nuestro producto en los siguientes casos:

- el producto se repara incorrectamente
- el producto se repara con piezas que no son del fabricante o que este no autoriza
- el producto tiene un accesorio que no es del fabricante o que este no autoriza
- el producto no se repara en un centro de servicio autorizado o por una autoridad aprobada.

## Seguridad

### Definiciones de seguridad

Las advertencias, precauciones y notas se utilizan para señalar las piezas particularmente importantes del manual.



**ADVERTENCIA:** Se utilizan para señalar el riesgo de lesiones graves o mortales para el operador o para aquellos que se encuentren cerca si no se siguen las instrucciones del manual.



**AVISO:** Se utilizan para señalar el riesgo de dañar la máquina, otros materiales o el área adyacente si no se siguen las instrucciones del manual.

**Tenga en cuenta:** Se utilizan para entregar más información necesaria en situaciones particulares.

### Instrucciones generales de seguridad



**ADVERTENCIA:** Lea atentamente las instrucciones de advertencia siguientes antes de usar el producto.

- Este producto puede ser una herramienta peligrosa si no se maneja con cuidado o si utiliza el producto de forma incorrecta. Este producto puede causar daños graves o fatales al operador o a otras personas. Antes de utilizar el producto, es muy importante que lea y comprenda el contenido de este manual de usuario.
- Este producto no está diseñado para que personas (incluidos niños) con capacidades físicas, sensoriales o mentales reducidas, o con falta de experiencia y conocimientos, lo utilicen.
- Guarde todas las advertencias y las instrucciones.
- Cumpla todas las leyes y reglamentos vigentes.
- El operador y el empleador del operador deben conocer y evitar los riesgos durante la operación del producto.
- No permita que nadie que no haya leído y comprendido el contenido del manual de usuario utilice el producto.
- No utilice el producto si no ha recibido capacitación antes de su uso. Asegúrese de que todos los usuarios reciban capacitación.
- No deje que un niño utilice el producto.
- Restrinja el uso del producto solo a personas autorizadas.

- El operador es responsable de los accidentes que puedan ocurrirles a otras personas o a sus propiedades.
- No utilice el producto si está cansado, enfermo o bajo la influencia de alcohol, drogas o medicamentos.
- Sea siempre cuidadoso y use el sentido común.
- En este producto se genera un campo electromagnético durante su funcionamiento. Este campo puede, en determinadas circunstancias, interferir en implantes médicos activos o pasivos. Para reducir el riesgo de daños graves o mortales, se recomienda que las personas con implantes médicos consulten a su médico y al fabricante del implante médico antes de utilizar este producto.
- Mantenga el producto limpio. Asegúrese de que puede leer señales y etiquetas claramente.
- No utilice el producto si está dañado.
- No modifique este producto.
- No utilice el producto si es posible que otras personas lo hayan modificado.
- Asegúrese de que ninguna prenda, cabello largo o joya puedan quedar atrapados en las piezas móviles.
- No se sienta sobre el producto.
- No golpee el producto.
- Siempre opere el producto desde la parte posterior y con ambas manos en el mango.
- No haga funcionar el producto cerca de cables eléctricos. El producto no tiene aislamiento eléctrico y pueden producirse lesiones o la muerte.
- Antes de utilizar el producto, averigüe si hay cables y tuberías ocultos en la área de trabajo. Si el producto se topa con un objeto oculto, detenga el motor inmediatamente y examine el producto y el objeto. No comience a utilizar el producto nuevamente hasta asegurarse de que sea seguro continuar.
- No toque la placa inferior cuando opere el producto o después de que el motor se detenga. La placa inferior está caliente. Las áreas calientes pueden causar lesiones.

## Instrucciones de seguridad para el funcionamiento



**ADVERTENCIA:** Lea atentamente las instrucciones de advertencia siguientes antes de usar el producto.

- Asegúrese de saber cómo detener el motor rápidamente en caso de emergencia.
- El usuario debe tener la resistencia física necesaria para hacer funcionar el producto de manera segura.
- No utilice el producto sin que todas las cubiertas protectoras estén instaladas.
- Utilice equipo de protección personal. Consulte *Equipo de protección personal en la página 21*.
- Asegúrese de que solo personas autorizadas estén en el área de trabajo.
- Mantenga el área de trabajo limpia y despejada.
- Asegúrese de encontrarse en una posición segura y estable durante la operación.
- Asegúrese de que todas las piezas del producto estén frías antes de tocarlas.
- Asegúrese de que no haya grasa ni aceite en el mango.
- No utilice el producto en áreas donde se pueden producir explosiones o fuego.
- El producto puede hacer que los objetos salgan eyectados a alta velocidad. Asegúrese de que todas las personas en el área de trabajo utilicen equipos de protección personal aprobados. Retire los objetos sueltos del área de trabajo.
- Antes de alejarse del producto, detenga el motor y asegúrese de que no exista riesgo de que se ponga en marcha de forma accidental.

## Seguridad de vibración



**ADVERTENCIA:** Lea atentamente las instrucciones de advertencia siguientes antes de usar el producto.

- Durante el funcionamiento del producto, se transmiten vibraciones del producto al operador. El uso frecuente y regular del producto puede provocarle lesiones al operador o aumentar el grado de estas. Se pueden producir lesiones en los dedos, las manos, las muñecas, los brazos, los hombros o los nervios, así como en el riego sanguíneo u otras partes del cuerpo. Las lesiones pueden ser debilitantes o permanentes, y pueden aumentar gradualmente durante semanas, meses o años. Entre las posibles lesiones se incluyen daños en el sistema de circulación sanguínea, el sistema nervioso, las articulaciones y otras estructuras corporales.
- Los síntomas pueden presentarse durante el funcionamiento del producto o en otro momento. Si tiene síntomas y continúa utilizando el producto, los síntomas pueden aumentar o hacerse permanentes. Si se producen estos u otros síntomas, solicite asistencia médica:
  - Entumecimiento, pérdida de sensación, hormigueo, picazón, dolor, ardor, dolor pulsante, rigidez, aturdimiento, pérdida de fuerza, cambios en el color o en el estado de la piel.
- Los síntomas pueden aumentar con el frío. Utilice ropa de abrigo y mantenga las manos calientes y secas cuando utilice el producto en entornos fríos.
- Realice el mantenimiento del producto y utilícelo según se indica en el manual de usuario, para mantener un nivel de vibración correcto.

- El producto tiene un sistema amortiguador de vibraciones que disminuye las vibraciones de las manijas al operador. Deje que el producto haga el trabajo. No ejerza fuerza para empujar el producto. Sujete ligeramente el producto en las manijas, pero asegúrese de controlarlo y operarlo de forma segura. No empuje las manijas en los topes más de lo necesario.
- Mantenga las manos solamente en las manijas. No acerque ninguna otra parte de cuerpo al producto.
- Detenga el producto de inmediato si se producen vibraciones fuertes repentinamente. No continúe la operación hasta eliminar la causa del aumento de las vibraciones.

## Seguridad contra el polvo



**ADVERTENCIA:** Lea atentamente las instrucciones de advertencia siguientes antes de usar el producto.

- El funcionamiento del producto puede causar suspensión de polvo en el aire. El polvo puede causar lesiones graves y problemas de salud permanentes. Varias autoridades han establecido regulaciones con respecto a los efectos dañinos del polvo de sílice. A continuación, se presentan algunos ejemplos de tales problemas de salud:
  - Enfermedades pulmonares mortales como bronquitis crónica, silicosis y fibrosis pulmonar
  - Cáncer
  - Anomalías congénitas
  - Inflamación de la piel
- Utilice el equipo correcto para disminuir la cantidad de polvo y gases en el aire y para disminuir la cantidad de polvo en el equipo de trabajo, las superficies, la ropa y las partes del cuerpo. Algunos ejemplos de mecanismos de control son los sistemas de recolección de polvo y los aspersores de agua para adherir el polvo. Disminuya el polvo en el origen cuando sea posible. Asegúrese de que el equipo se instale y utilice correctamente, y de que se le realice mantenimiento regular.
- Utilice protección respiratoria aprobada. Asegúrese de utilizar protección respiratoria cuando se trabaje con materiales peligrosos en el área de trabajo.
- Asegúrese de que haya un flujo de aire suficiente en la zona de trabajo.
- Si es posible, dirija el escape del producto hacia un punto en que no cause suspensión de polvo en el aire.

## Seguridad de los gases de escape



**ADVERTENCIA:** Lea atentamente las instrucciones de advertencia siguientes antes de usar el producto.

- Los gases de escape del motor contienen monóxido de carbono, un gas inodoro, tóxico y muy peligroso. Respirar monóxido de carbono puede provocar la muerte. Dado que el monóxido de carbono es inodoro y no se puede ver, no es posible detectarlo. Un síntoma de intoxicación por monóxido de carbono es el mareo, pero también es posible que la persona pierda la conciencia sin previo aviso si la cantidad o concentración de monóxido de carbono es suficiente.
- Los gases de escape también contienen hidrocarburos sin quemar, incluido benceno. La inhalación a largo plazo puede provocar problemas de salud.
- Los gases de escape que se pueden ver u oler también contienen monóxido de carbono.
- No utilice el motor de combustión en interiores ni en zonas que no tengan suficiente flujo de aire.
- No inhale los gases de escape.
- Asegúrese de que haya suficiente ventilación en el área de trabajo. Esto es muy importante cuando se utiliza el producto en fosos u otras áreas de trabajo confinadas donde los gases de escape se pueden acumular fácilmente.

## Seguridad contra el ruido



**ADVERTENCIA:** Lea atentamente las instrucciones de advertencia siguientes antes de usar el producto.

- Los niveles altos de ruido y la exposición a largo plazo al ruido pueden causar pérdida auditiva.
- Para mantener el nivel de ruido al mínimo, realice el mantenimiento del producto y utilícelo según se indica en el manual de usuario.
- Verifique si el silenciador presenta daños. Asegúrese de que el silenciador esté correctamente unido al producto.
- Utilice protectores auriculares aprobados cuando opere el producto.
- Cuando utilice protectores auriculares, esté atento a las señales de advertencia y a las voces. Quítese los protectores auriculares cuando el producto esté detenido, a menos que sean necesarios para el nivel de ruido en la zona de trabajo.

## Equipo de protección personal



**ADVERTENCIA:** Lea atentamente las instrucciones de advertencia siguientes antes de usar el producto.

- Utilice siempre el equipo de protección personal aprobado cuando utilice el producto. El equipo de protección personal no puede impedir el riesgo de lesiones, pero disminuirá el grado de lesión si ocurre un accidente. Solicite a su concesionario que lo ayude a seleccionar el equipo de protección personal correcto.

- Realice periódicamente una comprobación del estado del equipo de protección personal.
- Utilice un casco protector aprobado.
- Use protección auricular aprobada.
- Utilice protección respiratoria aprobada.
- Utilice protección ocular aprobada con protección lateral.
- Use guantes protectores.
- Utilice botas con punta de acero y suela antideslizante.
- Utilice ropa de trabajo aprobada o ropa equivalente de ajuste ceñido, que cubra por completo los brazos y las piernas.

### Extintor de incendios

- Mantenga un extintor de incendios a mano durante la operación.
- Utilice un extintor de incendios de polvo de clase "ABE" o un extintor de dióxido de carbono de tipo "BE".

### Dispositivos de seguridad en el producto



**ADVERTENCIA:** Lea atentamente las instrucciones de advertencia siguientes antes de usar el producto.

- No utilice un producto con dispositivos de seguridad dañados o que no funcionen correctamente.
- Revise los dispositivos de seguridad de forma regular. Si los dispositivos de seguridad están dañados o no funcionan correctamente, hable con su agente de servicio de Husqvarna.
- No realice modificaciones en los dispositivos de seguridad.

### Silenciador

El silenciador mantiene los niveles de ruido al mínimo y envía los gases de escape lejos del operador.

No utilice el producto si el silenciador no está instalado o está dañado. Un silenciador dañado aumenta el nivel de ruido y el riesgo de incendio.



**ADVERTENCIA:** El silenciador se calienta mucho durante y después del uso y cuando el motor funciona en régimen de ralentí. Tenga cuidado cerca de materiales o vapores inflamables para prevenir incendios.

### Para revisar el silenciador

- Examine el silenciador con regularidad para asegurarse de que está instalado correctamente y que no esté dañado.

### Interruptor ON/OFF del motor de la (Honda)

El motor solo puede iniciar cuando el interruptor ON/OFF del motor está en la posición "ON". El motor se detiene cuando se coloca el interruptor ON/OFF del motor en la posición "OFF".

### Para comprobar el interruptor ON/OFF del motor

1. Inicie el motor. Consulte *Para iniciar el producto (Honda) en la página 24*.
2. Coloque el interruptor ON/OFF del motor en la posición "OFF". El motor se detiene.

### Bastidor de seguridad

El bastidor de seguridad evita que se produzcan daños en el producto si se cae. El mango y el punto de levantamiento son piezas del bastidor de seguridad.

### Para comprobar el bastidor de seguridad

- Asegúrese de que no haya grietas u otros daños en el bastidor de seguridad.
- Asegúrese de que el bastidor de seguridad esté instalado correctamente en el producto.

### Amortiguadores de vibraciones

Los amortiguadores de vibraciones disminuyen la vibración en el producto. Los amortiguadores de vibraciones disminuyen las vibraciones perjudiciales para evitar lesiones al operador y daños al producto.

### Para revisar los amortiguadores de vibraciones

Hay 4 amortiguadores de vibraciones; 2 en el lado izquierdo y 2 en el lado derecho del producto.

- Asegúrese de que los amortiguadores de vibraciones estén instalados correctamente.
- Inspeccione los amortiguadores de vibraciones para determinar si presentan daños y desgaste.
- Sustituya los amortiguadores de vibraciones si es necesario.

### Seguridad de combustible



**ADVERTENCIA:** Lea atentamente las instrucciones de advertencia siguientes antes de usar el producto.

- La gasolina es inflamable y sus gases son explosivos. Tenga cuidado con el combustible para evitar lesiones, incendios y explosiones.
- No inhale los gases del combustible. Los gases del combustible son tóxicos y pueden provocar lesiones. Asegúrese de que el flujo de aire sea suficiente.
- No retire la tapa del depósito de combustible ni llene el depósito con el motor encendido.
- Asegúrese de que el motor se enfríe antes de llenar el depósito de combustible.

- No llene el depósito de combustible en interiores. Un flujo de aire insuficiente puede causar lesiones graves o fatales por asfixia o intoxicación por monóxido de carbono.
- No fume cerca del combustible o del motor.
- No coloque objetos calientes cerca del combustible o del motor.
- No llene el depósito de combustible cerca de chispas o llamas.
- Antes de llenar el depósito de combustible, abra lentamente la tapa del depósito de combustible y libere la presión con cuidado.
- Si el combustible entra en contacto con la piel, puede provocar lesiones. Si le cae combustible en la piel, quítelo con jabón y agua.
- Si derrama combustible en su ropa, cámbiese la ropa inmediatamente.
- No llene el depósito de combustible completamente. El calor provoca que el combustible se expanda. Deje espacio en la parte superior del depósito de combustible.
- Apriete bien la tapa del depósito de combustible. Si no aprieta la tapa del depósito de combustible, se genera un riesgo de incendio.
- Antes de poner en marcha el producto, colóquelo a una distancia mínima de 3 m/10 pies desde el lugar donde llenó el depósito de combustible.
- No arranque el producto si hay combustible o aceite de motor en el producto. Elimine el combustible y el aceite del motor no deseados y deje que el producto se seque antes de arrancar el motor.
- Examine frecuentemente el motor en busca de fugas. Si hay fugas en el sistema de combustible, no arranque el motor hasta que las repare.
- No busque fugas en el motor con los dedos.
- Almacene el combustible solo en recipientes aprobados.
- Cuando el producto y el combustible estén almacenados, asegúrese de que el combustible y los gases del combustible no puedan causar daños.
- Vacíe el combustible en un recipiente aprobado en exteriores y lejos de chispas y llamas.

### Instrucciones de seguridad para el uso en pendientes



**ADVERTENCIA:** Lea atentamente las instrucciones de advertencia siguientes antes de usar el producto.

- No utilice el producto en una pendiente mayor que 20°. El suelo blando, las vibraciones y la velocidad de operación pueden hacer que el producto caiga en una pendiente menor que 20°.
- Asegúrese de que el área de trabajo sea segura. El suelo húmedo y blando disminuye el funcionamiento seguro del producto. Tenga mucho cuidado con las pendientes y las superficies irregulares.

- Asegúrese de que todas las personas en el área de trabajo estén por encima del producto en la pendiente.
- Utilice el producto hacia arriba y hacia abajo por la pendiente, no de lado a lado.
- No deje el producto en una pendiente. Si debe dejar el producto en una pendiente, asegúrese de que el producto no se pueda caer. Esto puede representar un riesgo de lesiones y daños.

### Instrucciones de seguridad para el uso cerca de bordes



**ADVERTENCIA:** Lea atentamente las instrucciones de advertencia siguientes antes de usar el producto.

- Existe el riesgo de que el producto se caiga mientras lo está utilizando cerca de un borde. Mantenga siempre un mínimo de  $\frac{2}{3}$  del producto en una superficie lo suficientemente estable como para sostener su peso.
- Si el producto cae, pare el motor antes de levantar el producto de vuelta a una superficie lo suficientemente estable. Consulte *Para levantar el producto en la página 29*.

### Instrucciones de seguridad para el mantenimiento



**ADVERTENCIA:** Lea atentamente las instrucciones de advertencia siguientes antes de usar el producto.

- Si el mantenimiento no se realiza de manera correcta y regular, aumenta el riesgo de sufrir lesiones y causar daños en el producto.
- Utilice el equipo de protección personal. Consulte *Equipo de protección personal en la página 21*.
- Detenga el motor y asegúrese de que todas las piezas del producto estén frías antes de realizar el mantenimiento.
- Limpie el producto para eliminar materiales peligrosos antes de realizar el mantenimiento.
- Desconecte el sombrerete de bujía antes de realizar el mantenimiento.
- Los gases de escape del motor están calientes y pueden contener chispas. No utilice el producto en zonas interiores ni cerca de materiales inflamables.
- No modifique el producto. Las modificaciones en el producto que no estén aprobadas por el fabricante pueden causar daños graves o la muerte.
- Utilice siempre accesorios y piezas de repuesto originales. El uso de accesorios y piezas de repuesto que no estén aprobados por el fabricante puede causar daños graves o la muerte.
- Cambie las piezas dañadas, desgastadas o rotas.

- Solo realice tareas de mantenimiento como se indica en el presente manual del usuario. Solicite a un taller de servicio aprobado que realice cualquier otro mantenimiento.
- Retire todas las herramientas del producto después del mantenimiento y antes de arrancar el motor. Si quedan herramientas sueltas o conectadas a las piezas giratorias, estas pueden salir expulsadas y

provocar lesiones cuando se ponga en marcha el motor.

- Después de realizar el mantenimiento, revise el nivel de vibración del producto. Si no tiene el nivel correcto, comuníquese con un centro de servicio autorizado.
- Solicite a un taller de servicio aprobado hacer el mantenimiento regular del producto.

## Funcionamiento

### Introducción



**ADVERTENCIA:** Asegúrese de leer y comprender el capítulo de seguridad antes de utilizar el producto.

### Haga lo siguiente antes de usar el producto

- Lea atentamente el manual del usuario y asegúrese de entender las instrucciones.
- Lea el manual del motor proporcionado por el fabricante del motor.
- Realice el mantenimiento diario. Consulte *Programa de mantenimiento en la página 25*.

### Depósito de agua

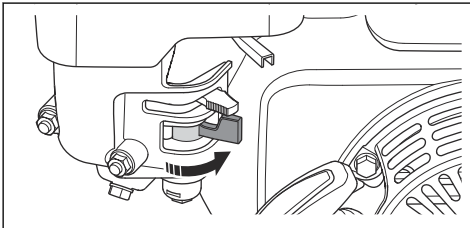
Para FP 75, hay un depósito de agua optativo para la compactación de asfalto.



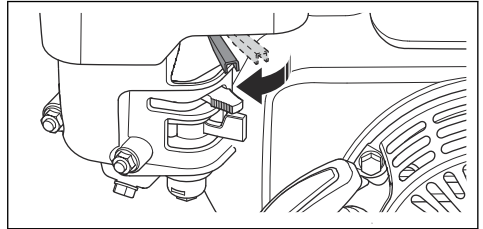
**AVISO:** No agregue otros líquidos que no sean agua al depósito de agua. Otros líquidos pueden producir daños en el producto y dañar el medioambiente.

### Para iniciar el producto (Honda)

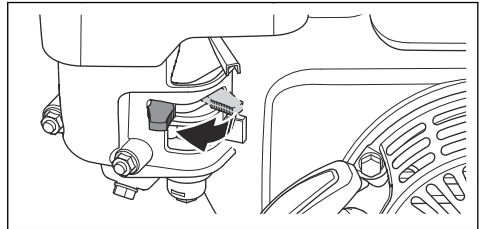
1. Abra el paso de combustible.



2. Lleve el acelerador hasta la posición  $\frac{1}{2}$ .

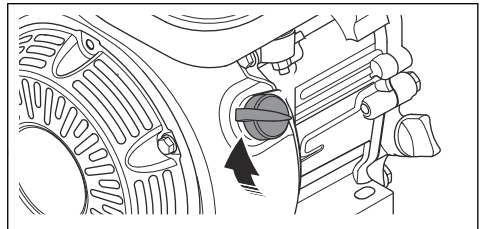


3. Coloque el estrangulador en la posición correcta.



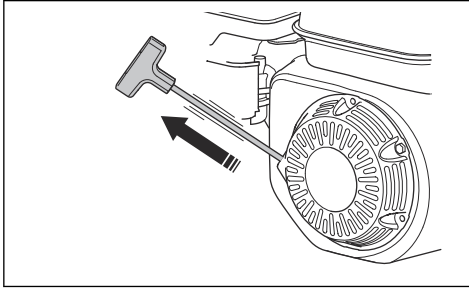
- a) Si el motor está frío, cierre el estrangulador.
- b) Si el motor está caliente o la temperatura ambiente es alta, abra el estrangulador.

4. Coloque el interruptor ON/OFF en la posición "ON".

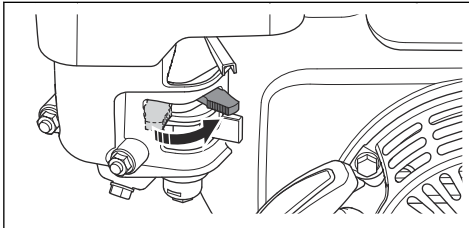




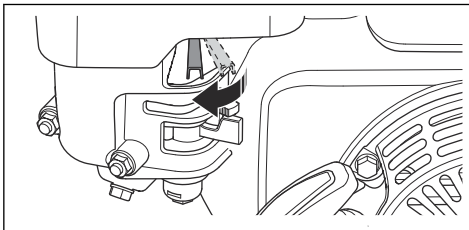
5. Tire del mango de la cuerda de arranque lentamente hasta que sienta resistencia.



6. Suelte el mango de la cuerda de arranque para que regrese.  
7. Tire del mango de la cuerda de arranque hasta que el motor arranque.  
8. Abra el estrangulador de manera gradual hasta que esté completamente abierto.



9. Deje que el motor funcione en régimen de ralentí de 2 a 3 minutos.  
10. Lleve el acelerador hasta la posición de aceleración máxima.



## Para detener el producto

1. Mueva el control del acelerador a la posición de régimen de ralentí.
2. Coloque el interruptor ON/OFF del motor en la posición "OFF". El motor se detiene.
3. Mueva la válvula de combustible a la posición "OFF".

## Para hacer funcionar el producto



**AVISO:** Siempre opere el producto hacia delante y a plena aceleración. La velocidad del motor y el movimiento hacia atrás más bajos evitan el correcto funcionamiento del elemento excéntrico y pueden causar fallas en el producto.

1. Asegúrese de que el acelerador esté en aceleración completa.
2. Empuje cuidadosamente el producto hacia delante.



**AVISO:** No empuje el producto hacia abajo. Demasiada presión puede causar un resultado insatisfactorio.

3. Para cambiar el sentido, gire el producto.
  - a) Para girar el producto con un radio de giro mínimo, levante la manija hasta un ángulo de 90 grados. Utilice esta función en espacios pequeños y en suelo que no esté nivelado.

## Mantenimiento

### Introducción



**ADVERTENCIA:** Lea detenidamente el capítulo de seguridad antes de realizar mantenimiento en el producto.

### Programa de mantenimiento

\* = Mantenimiento general por parte del operador. Las instrucciones no se proporcionan en este manual de usuario.

X = Las instrucciones se proporcionan en este manual de usuario.

O = Consulte las instrucciones en el manual del motor suministrado por el fabricante del motor.

<b>Mantenimiento general del producto</b>	<b>Antes de usar, cada 10 horas</b>	<b>Semanalmente, cada 100 horas</b>
Asegúrese de que no haya fugas de combustible o de aceite.	*	
Limpie la máquina.	X	
Asegúrese de que las tuercas y los tornillos estén apretados.	*	
Examine el acelerador y el estrangulador en busca de daños.	*	
Asegúrese de que el acelerador y el estrangulador se puedan mover suavemente.	*	
Lubrique los controles y los varillajes.	*	
Inspeccione los amortiguadores de vibraciones para determinar si presentan daños.		X
Inspeccione la tensión de la correa en V y busque daños. Ajuste o reemplace la correa en V según sea necesario.		X

<b>Mantenimiento del motor</b>	<b>Antes de usar, cada 10 horas</b>	<b>Después de las primeras 20 horas</b>	<b>Semanalmente, cada 100 horas</b>	<b>Anualmente, cada 300 h</b>
Revise el nivel de combustible y el nivel de aceite del motor.	X			
Limpie las aletas de refrigeración del motor.	O			
Examine el filtro de aire. Limpie el filtro de aire si es necesario.	X	X		
Limpie el filtro de aire.			X	
Cambie el filtro de aire.				X
Cambie el aceite del motor.		X	X	X
Revise el régimen del motor.		O	O	O
Examine y limpie la bujía. Reemplace la bujía si es necesario.			O	
Reemplace la bujía.				O
Limpie la válvula de combustible del carburador.			O	O
Limpie la rejilla apagachispas del silenciador.			O	O
Ajuste la holgura del cabezal de la válvula de las válvulas de toma de aire y de escape.				O
Drene el combustible y limpie el depósito y el filtro de combustible.			O	O
Limpie y ajuste el carburador.				O
Reemplace el filtro de combustible.				O

## Para hacer una inspección general

- Asegúrese de que todas las tuercas y los tornillos del producto estén apretados de forma adecuada.

## Para limpiar el producto

- Use agua que corra de una manguera o una hidrolimpiadora para limpiar el producto.



**AVISO:** No dirija el agua directamente a la tapa del depósito de combustible, a los componentes eléctricos o al motor.

- Quite la grasa y el aceite del mango.

## Para revisar el nivel de aceite del motor

1. Retire el tapón del depósito de aceite y la varilla de nivel.
2. Limpie el aceite de la varilla de nivel.
3. Vuelva a colocar la varilla completamente dentro del depósito de aceite.
4. Quitó la varilla de nivel.
5. Examine el nivel de aceite con la varilla de nivel.
6. Si el nivel de aceite es bajo, llene con aceite de motor y revise nuevamente. Consulte *Datos técnicos en la página 31* o el manual del motor para conocer el tipo correcto de aceite.

## Para cambiar el aceite del motor (Honda)

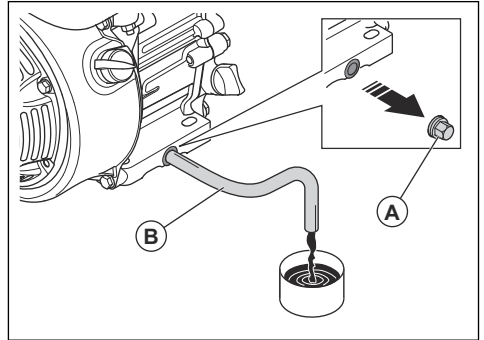
Si el motor está frío, inícielo entre 1 y 2 minutos antes de drenar el aceite de motor. Esto calienta el aceite de motor, por lo que se drena más fácilmente.



**ADVERTENCIA:** El aceite de motor tiene una temperatura muy alta luego de que el motor se detiene. Deje que el motor se enfríe antes de drenar el aceite de motor. En caso de que el aceite de motor entre en contacto con su piel, límpiela con agua y jabón.

1. Coloque un contenedor debajo del tapón de vaciado del aceite del motor.

2. Quite el tapón de drenaje del aceite (A) y conecte una manguera (B).



3. Incline el producto y deje que el aceite caiga al recipiente.
4. Quite la manguera.
5. Instale y apriete el tapón de vaciado de aceite.
6. Llene con aceite de motor nuevo. Consulte *Datos técnicos en la página 31* o el manual del motor para conocer el tipo correcto de aceite.
7. Revise el nivel de aceite del motor.

## Filtro de aire



**ADVERTENCIA:** Utilice una protección respiratoria aprobada cuando limpie o reemplace el filtro de aire. Deseche correctamente los filtros de aire usados. La inhalación del polvo del filtro de aire puede ser peligrosa para la salud.



**AVISO:** Si el filtro de aire está dañado, siempre reemplácelo, ya que, de lo contrario, causa la entrada de polvo al motor y lo dañará.

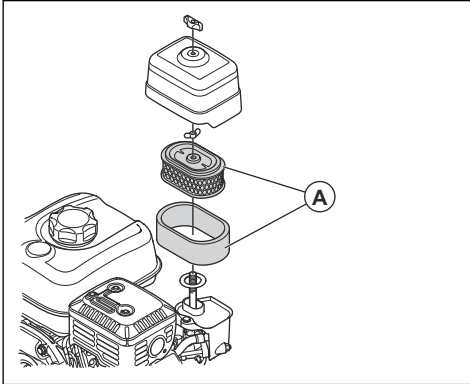
## Para limpiar o reemplazar el filtro de aire (Honda)



**ADVERTENCIA:** No limpie el filtro de aire con aire comprimido. Esto causa daños en el filtro de aire y aumenta el riesgo de que respire el polvo peligroso.

1. Gire la perilla en la cubierta del filtro de aire y quitela.

- Retire el elemento de filtro de papel y el elemento de filtro de espuma (A).



- Limpie la caja del filtro de aire con un cepillo.
- Revise si los elementos del filtro de aire presentan daños.
- Golpee suavemente el elemento de filtro de papel contra una superficie dura o utilice una aspiradora para eliminar las partículas.



**AVISO:** No deje que la boquilla de la aspiradora toque la superficie del elemento filtrante de papel. Mantenga una pequeña distancia. La superficie sensible del elemento filtrante de papel se daña si algún objeto la toca.

- Limpie el elemento de filtro de espuma con una solución de agua y jabón.
- Enjuague el elemento de filtro de espuma con agua limpia.
- Comprima el elemento de filtro de espuma para quitar el agua y deje que se seque por completo.
- Lubrique el elemento de filtro de espuma con aceite de motor.

- Presione un paño limpio contra el elemento de filtro de espuma para retirar el aceite no deseado.

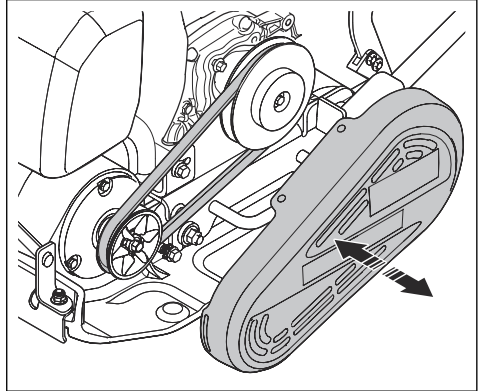
- Instale el filtro de aire en la secuencia opuesta.

## Para revisar la correa en V



**ADVERTENCIA:** No utilice el producto sin la cubierta de la correa en V instalada.

- Detenga el motor.
- Retire la cubierta de la correa en V.



- Inspeccione si la correa en V presenta daños y desgaste. Reemplace la correa en V si es necesario.
- Revise la tensión de la correa en V.
- Si la tensión no es suficiente, realice estos pasos:
  - Afloje los 4 pernos que sujetan el motor a la placa inferior.
  - Mueva el producto hacia atrás.
  - Asegúrese de que las poleas de la correa en V estén alineadas y ajuste los 4 pernos.
- Instale la cubierta de la correa en V.

## Transporte, almacenamiento y eliminación de residuos

### Transporte



**ADVERTENCIA:** Tenga cuidado durante el transporte. El producto es pesado y puede causar lesiones o daños si se cae o se mueve durante el transporte.

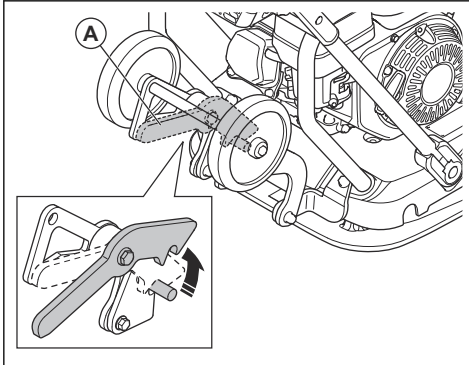


**AVISO:** No remolque el producto detrás de un vehículo.

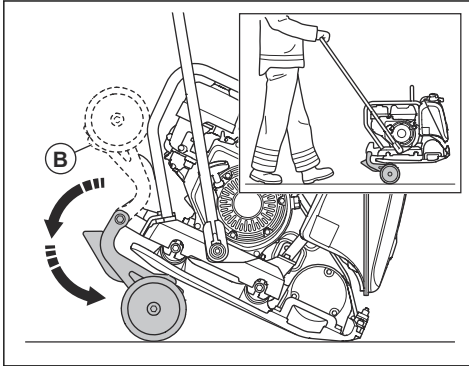
Las ruedas de transporte permiten mover el producto manualmente en distancias más cortas. Para distancias más largas, levante el producto para moverlo o súbalo a un vehículo.

## Para acoplar las ruedas de transporte (opcional)

1. Libere el gancho (A).



2. Pliegue las ruedas (B) hacia abajo, debajo de la placa inferior.



## Para levantar el producto



**ADVERTENCIA:** Asegúrese de que el equipo de elevación tenga la especificación correcta para levantar el producto de forma segura. La placa de identificación del producto muestra el peso del producto.

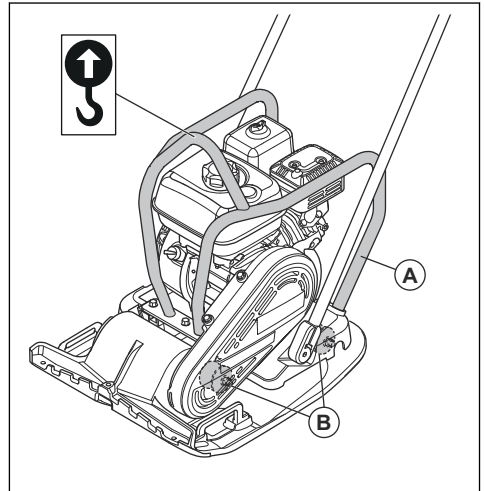


**ADVERTENCIA:** No camine ni permanezca por debajo del producto cuando esté levantado.



**AVISO:** No utilice ganchos metálicos, cadenas u otros equipos de elevación con bordes irregulares que puedan dañar el bastidor de seguridad.

1. Conecte el equipo de elevación al punto de elevación del bastidor de seguridad. Una etiqueta en el producto identifica la posición correcta.

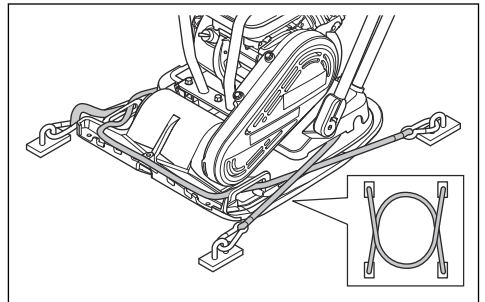


**ADVERTENCIA:** No levante el producto si está dañado. Asegúrese de que el bastidor de seguridad (A) y los amortiguadores de vibraciones (B) estén correctamente instalados y no estén dañados.

2. Levante el producto.

## Para garantizar la seguridad del producto en un vehículo de transporte con correas de sujeción

- Coloque 2 correas alrededor de la placa inferior.



- a) Coloque 1 correa alrededor de la parte delantera de la placa inferior y fije la correa al vehículo.
- b) Coloque 1 correa alrededor de la parte trasera de la placa inferior y fije la correa al vehículo.

## Almacenamiento

- Retire todo el combustible del depósito de combustible antes de almacenar el producto durante

un largo período. Deseche el combustible en un lugar adecuado para tal propósito.

- Limpie el producto antes de almacenarlo. Quite el aceite y el polvo de las piezas de goma.
- Limpie el filtro de aire antes de almacenarlo.
- Tire con cuidado del mango de la cuerda de arranque hasta que haya una pequeña resistencia. Esto cierra las válvulas y garantiza que la humedad no pueda entrar en el cilindro del motor.
- Coloque una cubierta protectora sobre el producto.
- Mantenga el producto en un lugar seco y sin escarcha.
- Mantenga el producto en un área cerrada para evitar que los niños u otras personas sin autorización puedan acceder a él.

## Eliminación

- Obedezca las regulaciones vigentes y requisitos de reciclaje locales.
- Deseche todos los productos químicos, como el combustible o el aceite del motor, en un centro de servicio o en un sitio adecuado para tal propósito.
- Cuando el producto se deja de utilizar, envíelo a un distribuidor de Husqvarna o deséchelo en un sitio de reciclaje.

---

## Accesorios

---

Accesorio	
Kit de ruedas de transporte, número de pieza	594 20 49-01
Depósito de agua, número de pieza	596 39 29-02
Dispositivo de elevación del montacargas, número de pieza	595 50 31-01
Mango de vibración baja, número de pieza	594 20 50-01
Juego de pavimentación de bloques, número de pieza	594 86 81-01

## Datos técnicos

### Datos técnicos

Peso neto, kg/lb	86,6/191
Peso de funcionamiento (EN500, incluido aceite, ½ de combustible), kg/lb	94,5/208
Marca del motor, tipo	Honda, GX160
Potencia del motor, kW/hp a rpm <sup>2</sup>	3,6/4,8 a 3600
Frecuencia de vibración, Hz/rpm	95/5700
Ancho, mm/in	1/0,39
Fuerza centrífuga, kN/lbf	14,6/3282
Velocidad de funcionamiento, m/min / ft/min	27 / 88,6
Inclinación máxima, grados/%	17/30
Capacidad del depósito de combustible, l/cuartos de galón	3,1/3,3
Capacidad de aceite del motor *, l/cuartos de galón	0,6/0,63
Consumo de combustible, l/h o cuartos de galón/h	1,21 o 1,28
Depósito de agua para asfalto, l/gal (optativo)	13/3,4
Combustible *	Gasolina sin plomo, máx. etanol al 10 %
Aceite del motor *	SAE 10W-30, API clase SJ
<b>Emisiones de ruido y vibración</b>	
Nivel de potencia acústica, medido en dB (A)	102

\* = Para obtener más información y para preguntas sobre este motor específico, consulte el manual del motor o el sitio web del fabricante del motor.

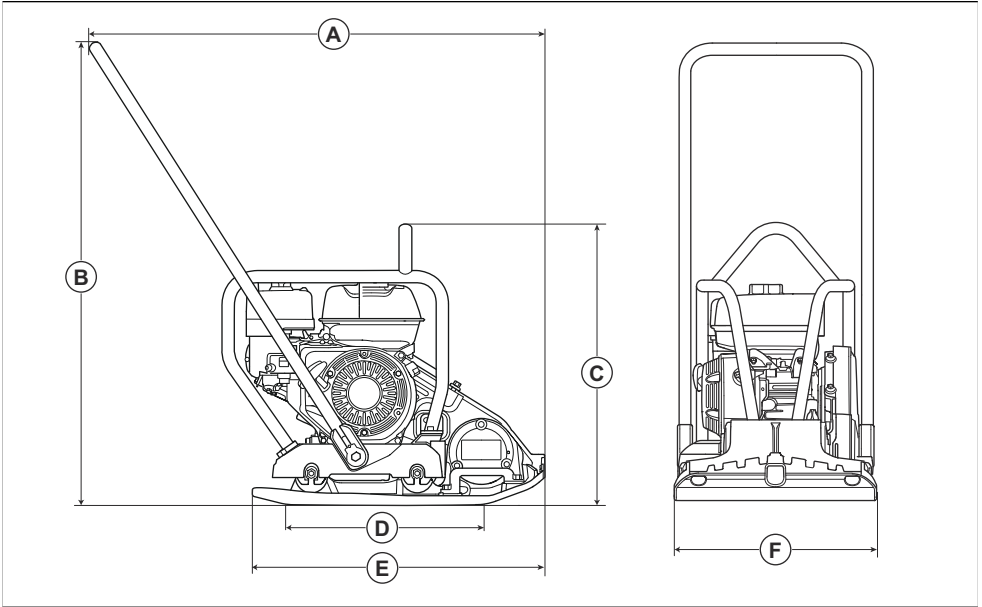
### Declaración de ruido y vibración

Estos valores declarados se obtuvieron mediante pruebas de laboratorio, en conformidad con la directiva o las normas declaradas, y son adecuados para compararlos con los valores declarados de otros productos probados en conformidad con la misma

directiva o normas. Estos valores declarados no son adecuados para su uso en evaluaciones de riesgos, y los valores medidos en lugares de trabajo individuales pueden ser superiores. Los valores de exposición reales y el riesgo de daños que experimente un usuario individual son únicos y dependen de la forma en que el usuario trabaja, del material en que se utiliza el producto, así como del tiempo de exposición y el estado físico del usuario, y del estado del producto.

<sup>2</sup> Como lo especifica el fabricante del motor. La calificación de potencia del motor indicada corresponde a la salida de potencia neta promedio (en rpm especificadas) de un motor de producción típica para el modelo de motor medido según la norma SAE J1349/ISO1585. Los motores de producción masiva podrían diferir de este valor. La salida de potencia real para el motor instalado en el producto final dependerá de la velocidad de funcionamiento, las condiciones medioambientales y otras variables.

## Dimensiones del producto



<b>A</b>	Longitud con manilla incluida, mm/in	926/36,5	<b>D</b>	Área de contacto de la placa inferior, m <sup>2</sup> /pies cuadrados	0,142/1,5
<b>B</b>	Altura del mango, mm/in	940/37	<b>E</b>	Longitud de la placa inferior, mm/in	570/22,4
<b>C</b>	Altura en el punto de levantamiento del bastidor de seguridad, mm/in	595/23,4	<b>F</b>	Ancho, mm/in	420/16,5



# Table des matières

Introduction.....	33	Transport, entreposage et mise au rebut.....	44
Sécurité.....	35	Accessoires.....	46
Fonctionnement.....	40	Données techniques.....	47
Entretien.....	41		

## Introduction

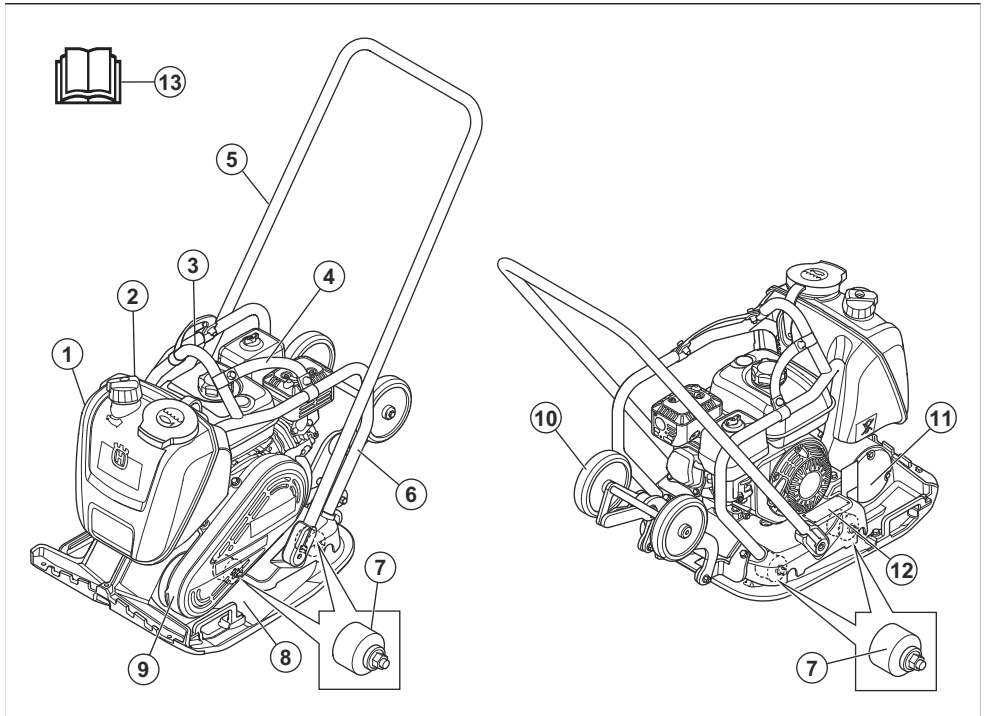
### Description du produit

Le produit est un compacteur poussé à plaque avant doté d'un moteur à combustion. Le produit sert au compactage des couches fines à moyennes sur des sols pulvérulents. Grâce au réservoir d'eau disponible en option, le produit peut également servir au compactage de l'asphalte.

### Utilisation prévue

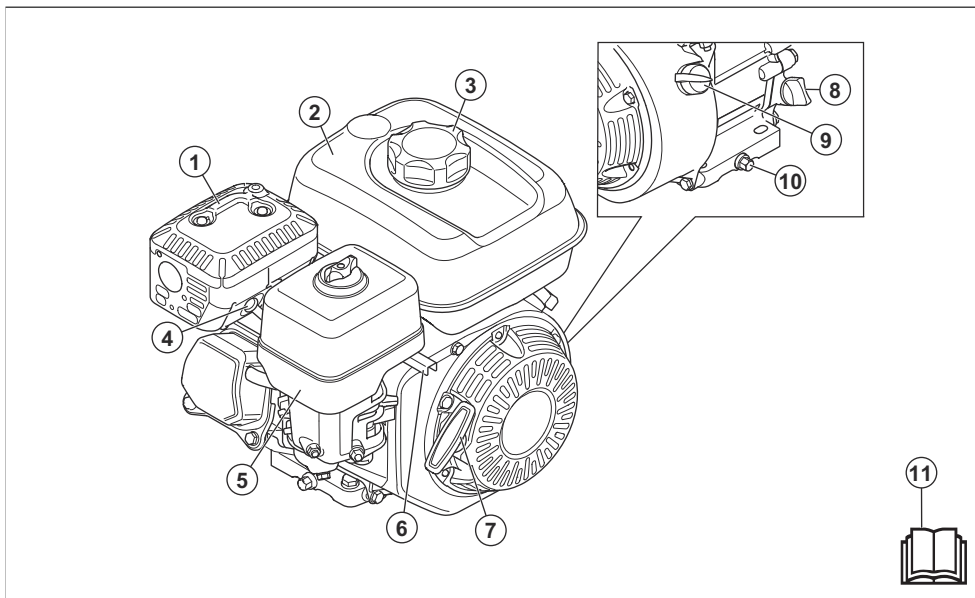
Le produit est réservé à un usage professionnel. Utiliser le produit pour réparer et entretenir les entrées, les chemins d'accès et les stationnements. Avec la trousse de pavage de dalles en option, le produit peut aussi être utilisé pour le pavage de dalles. Ne pas utiliser l'outil pour d'autres tâches.

### Aperçu du produit



- |                                |                                       |
|--------------------------------|---------------------------------------|
| 1. Réservoir d'eau (en option) | 7. Unité anti-vibrations              |
| 2. Valve d'eau                 | 8. Plaque de fond                     |
| 3. Point de levage             | 9. Couvercle de courroie trapézoïdale |
| 4. Sangles (en option)         | 10. Roues de transport (en option)    |
| 5. Poignée                     | 11. Élément excentrique               |
| 6. Cadre de sécurité           | 12. Plaque signalétique               |

## Aperçu du moteur



1. Silencieux
2. Réservoir de carburant
3. Bouchon du réservoir de carburant
4. Bougie
5. Filtre à air
6. Commande d'accélération
7. Poignée du câble du démarreur
8. Réservoir/jauge d'huile
9. Interrupteur de marche/arrêt du moteur
10. Bouchon de vidange d'huile moteur
11. Manuel d'utilisation

### Symboles concernant le produit



**AVERTISSEMENT :** Faire attention et utiliser le produit correctement. Ce produit peut causer des blessures graves, voire mortelles, à l'opérateur ou à d'autres personnes.



Lire avec attention le manuel de l'opérateur et s'assurer de bien comprendre les instructions avant d'utiliser ce produit.



Lire avec attention le manuel de l'opérateur et s'assurer de bien comprendre les instructions avant d'utiliser ce produit.



Essence sans plomb avec un maximum de 10 % d'éthanol.



Utiliser un dispositif de protection pour les oreilles.



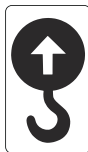
Risque de blessures. Soyez prudent à proximité de la courroie d'entraînement.



Surface chaude.



Tenir les mains éloignées de cette zone.



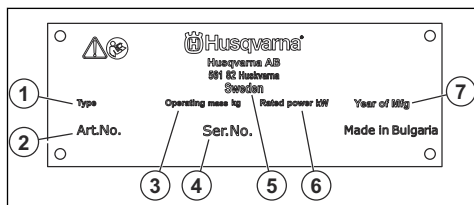
Point de levage du cadre de sécurité.



Émissions sonores dans l'environnement conformément à la directive CE. Les émissions de ce produit sont spécifiées dans la section *Caractéristiques techniques à la page 47* et sur l'étiquette.

**Remarque :** les autres symboles/autocollants présents sur le produit concernent des exigences de certification spécifiques à certains marchés.

## Plaque signalétique



1. Type de produit
2. Numéro du produit
3. Poids du produit
4. Numéro de série
5. Fabricant
6. Puissance nominale
7. Année de production

## Produit endommagé

Nous ne sommes pas responsables des dommages causés à notre produit si :

- Le produit n'est pas réparé de façon adéquate.
- Le produit est réparé avec des pièces qui ne sont pas fournies ou homologuées par le fabricant.
- Le produit comprend un accessoire qui n'est pas fourni ou homologué par le fabricant.
- Le produit n'est pas réparé par un centre de service après-vente agréé ou par une autorité homologuée.

## Sécurité

### Définitions relatives à la sécurité

Les avertissements, recommandations et remarques soulignent des points du manuel qui revêtent une importance particulière.



**AVERTISSEMENT :** Indique la présence d'un risque de blessure ou de décès de l'utilisateur ou de personnes à proximité si les instructions du manuel ne sont pas suivies.



**MISE EN GARDE :** Indique la présence d'un risque de dommages au produit, à d'autres appareils ou à la zone adjacente si les instructions du manuel ne sont pas suivies.

**Remarque :** Utilisé pour donner des renseignements plus détaillés qui sont nécessaires dans une situation donnée.

### Consignes générales de sécurité



**AVERTISSEMENT :** Lire les messages d'avertissement qui suivent avant d'utiliser l'appareil.

- Ce produit est un outil dangereux s'il est utilisé de façon insouciant ou inappropriée. Cet outil peut causer des blessures graves, ou même mortelles, à l'utilisateur et à d'autres personnes. Il est obligatoire de lire et de comprendre le contenu de ce manuel d'utilisation avant d'utiliser l'outil.
- Le produit n'est pas destiné à être utilisé par des enfants ou des personnes aux capacités physiques, sensorielles ou mentales limitées ou manquant d'expérience et de connaissances.
- Conserver tous les avertissements et toutes les instructions.
- Se conformer à toutes les lois et réglementations en vigueur.
- L'utilisateur et l'employeur de l'utilisateur doivent connaître et prévenir les risques liés à l'utilisation du produit.
- Ne pas laisser une personne utiliser le produit à moins qu'elle ait lu et compris le contenu de ce manuel d'utilisation.

- Ne pas faire fonctionner le produit sans avoir reçu une formation relative à son fonctionnement. S'assurer que tous les utilisateurs reçoivent une formation.
- Ne pas laisser un enfant utiliser l'outil.
- Seules les personnes autorisées peuvent utiliser le produit.
- L'utilisateur est responsable des accidents survenus à d'autres personnes ou à leurs biens.
- Ne pas utiliser le produit en cas de fatigue ou sous l'emprise de l'alcool, de drogues ou de médicaments.
- Toujours rester prudent et faire preuve de bon sens.
- Cette machine produit un champ électromagnétique pendant le fonctionnement. Ce champ magnétique peut, dans certains cas, nuire aux implants médicaux actifs ou passifs. Pour réduire le risque de blessures graves ou mortelles, il est recommandé aux personnes ayant des implants médicaux de consulter leur médecin et le fabricant de l'implant médical avant d'utiliser le produit.
- Toujours garder le produit propre. S'assurer de pouvoir lire clairement les signes et les autocollants.
- Ne pas utiliser le produit s'il est endommagé.
- Ne pas modifier ce produit.
- Ne pas utiliser le produit s'il est possible que d'autres personnes aient apporté des modifications à celui-ci.

## Consignes de sécurité pour l'utilisation



**AVERTISSEMENT** : Lire les messages d'avertissement qui suivent avant d'utiliser le produit.

- S'assurer de savoir comment arrêter rapidement le moteur en cas d'urgence.
- L'opérateur doit avoir la force physique nécessaire pour faire fonctionner le produit de façon sécuritaire.
- Ne pas faire fonctionner le produit sans tous les dispositifs de protection et couvercles installés.
- Utilisez un équipement de protection individuelle. Se reporter à *Équipement de protection personnelle à la page 38*.
- S'assurer que seules les personnes autorisées se trouvent dans la zone de travail.
- Veillez à ce que la zone de travail reste propre et bien éclairée.
- S'assurer d'être dans une position stable et sécuritaire au cours du travail.
- Veillez à ce que toutes les pièces du produit soient froides avant de le toucher.
- S'assurer qu'il n'y a pas de graisse ou d'huile sur la poignée.
- Ne pas utiliser ce produit dans des zones où un incendie ou des explosions peuvent se produire.
- Le produit peut projeter des objets à grande vitesse. S'assurer que toutes les personnes se trouvant

dans la zone de travail utilisent un équipement de protection individuel approuvé. Retirer les matériaux lâches de la zone de travail.

- Avant de vous éloigner du produit, arrêtez le moteur et assurez-vous qu'il n'y a aucun risque de démarrage accidentel.
- S'assurer que les vêtements, les cheveux longs et les bijoux ne peuvent pas se coincer dans les pièces en mouvement.
- Ne vous asseyez pas sur le produit.
- Ne frappez pas le produit.
- Toujours utiliser le produit en étant positionné derrière, les deux mains sur la poignée.
- N'utilisez pas le produit à proximité de câbles électriques. Le produit ne présente pas d'isolation électrique et peut entraîner des blessures graves, voire mortelles.
- Avant d'utiliser le produit, vérifier qu'il n'y a pas des fils, des câbles et des tuyaux cachés dans la zone de travail. Si le produit heurte un objet caché, arrêtez immédiatement le moteur et examinez le produit et l'objet. Ne redémarrez pas le produit avant d'être sûr qu'il fonctionne en toute sécurité.
- Ne pas toucher la plaque inférieure pendant le fonctionnement de la machine ou après que le moteur s'est arrêté. La plaque inférieure est chaude. Les zones chaudes peuvent causer des blessures.

## Sécurité en matière de vibrations



**AVERTISSEMENT** : Lire les messages d'avertissement qui suivent avant d'utiliser l'appareil.

- Pendant le fonctionnement du produit, des vibrations sont transmises du produit à l'utilisateur. L'utilisation régulière et fréquente du produit peut provoquer ou augmenter les risques de blessures pour l'utilisateur. Des blessures peuvent se produire au niveau des doigts, des mains, des poignets, des bras, des épaules ou des nerfs, ou d'autres parties du corps ou affecter l'apport sanguin. Les blessures peuvent être invalidantes et/ou permanentes et peuvent augmenter progressivement au fil des semaines, des mois ou des années. Les blessures possibles incluent des dommages au système de circulation sanguine, au système nerveux, aux articulations et à d'autres structures corporelles.
- Des symptômes peuvent apparaître pendant l'utilisation du produit ou à d'autres moments. Si l'utilisateur présente des symptômes et continue à utiliser le produit, les symptômes peuvent augmenter ou devenir permanents. Si ces symptômes ou d'autres symptômes apparaissent, consulter un médecin :
  - Engourdissement, perte de sensation, fourmillement, picotement, douleur, brûlure, boursoufflement, raideur, sensation de lourdeur, perte de force, changements de couleur ou d'état de la peau.

- Les symptômes peuvent augmenter par temps froid. Porter des vêtements chauds et garder les mains au chaud et au sec lors de l'utilisation de l'outil dans des environnements froids.
- Procéder à l'entretien et à l'utilisation du produit comme indiqué dans le manuel d'utilisation pour maintenir les vibrations à un niveau acceptable.
- Le produit est doté d'un système d'amortissement des vibrations qui réduit les vibrations transmises à l'opérateur par les poignées. Laisser le produit faire le travail. Ne pas pousser le produit avec force. Tenir légèrement le produit par les poignées, mais s'assurer de le contrôler et de l'utiliser en toute sécurité. Ne pas pousser les poignées dans les butées plus que nécessaire.
- Garder les mains sur la ou les poignées uniquement. Garder toutes les autres parties du corps à l'écart du produit.
- Arrêter immédiatement le produit en cas de fortes vibrations soudaines. Ne pas poursuivre le sciage avant d'avoir éliminé la cause des vibrations accrues.

### Protection contre la poussière



**AVERTISSEMENT** : Lire les messages d'avertissement qui suivent avant d'utiliser l'outil.

- L'utilisation du produit peut provoquer de la poussière dans l'air. La poussière peut provoquer des blessures graves et des problèmes de santé permanents. La poussière de silice est considérée comme une matière nocive par plusieurs autorités. Voici quelques exemples de problèmes de santé :
  - Maladies pulmonaires mortelles bronchite chronique, silicose et fibrose pulmonaire
  - Cancer
  - Malformations congénitales
  - Inflammation de la peau
- Utiliser un équipement adapté pour réduire la quantité de poussière et de fumées dans l'air et pour réduire la poussière sur les équipements de travail, les surfaces, les vêtements et les parties du corps. Exemples de contrôles : systèmes de collecte de poussière et jets d'eau pour lier la poussière. Dans la mesure du possible, réduire la quantité de poussière à la source. S'assurer que l'équipement est correctement installé et utilisé et que l'entretien régulier est effectué.
- Utiliser un dispositif de protection respiratoire homologué. S'assurer que la protection respiratoire convient aux matériaux dangereux dans la zone de travail.
- S'assurer que la circulation d'air est suffisante dans la zone de travail.
- Si possible, orienter l'échappement du produit vers un endroit où il ne risque pas de souffler de la poussière dans l'air.

### Sécurité relative aux gaz d'échappement



**AVERTISSEMENT** : Lire les messages d'avertissement qui suivent avant d'utiliser l'outil.

- Les gaz d'échappement du moteur contiennent du monoxyde de carbone, un gaz inodore, toxique et très dangereux. Respirer du monoxyde de carbone peut entraîner la mort. Le monoxyde de carbone étant inodore et invisible, il n'est pas possible de le détecter. Un symptôme d'intoxication au monoxyde de carbone est l'étourdissement, mais il est possible qu'une personne perde connaissance sans avertissement si la quantité ou la concentration de monoxyde de carbone est suffisante.
- Les gaz d'échappement contiennent également des hydrocarbures non brûlés, y compris du benzène. Leur inhalation à long terme peut provoquer des problèmes de santé.
- Les gaz d'échappement visibles ou odorants contiennent également du monoxyde de carbone.
- Ne pas utiliser un produit à moteur à combustion à l'intérieur ou dans des endroits mal aérés.
- Ne pas respirer les gaz d'échappement.
- S'assurer que la circulation d'air dans la zone de travail est suffisante. Ceci est très important lorsque le produit est utilisé dans des tranchées ou autres petites zones de travail où les gaz d'échappement peuvent facilement s'accumuler.

### Sécurité relative au bruit



**AVERTISSEMENT** : Lire les messages d'avertissement qui suivent avant d'utiliser le produit.

- Des niveaux sonores élevés et une exposition prolongée au bruit peuvent provoquer une perte auditive.
- Afin de maintenir le niveau sonore au minimum, effectuez l'entretien et utilisez le produit comme indiqué dans le manuel d'utilisation.
- Vérifiez que le silencieux ne présente pas de dommages. S'assurer que le silencieux est bien fixé sur le produit.
- Utilisez des protège-oreilles homologués pendant l'utilisation du produit.
- Rester attentif aux appels ou cris d'avertissement lors de l'utilisation d'un dispositif de protection pour les oreilles. Retirer le dispositif de protection pour les oreilles lorsque le produit est arrêté, sauf si une protection auditive est nécessaire en raison du niveau sonore dans la zone de travail.

## Équipement de protection personnelle



**AVERTISSEMENT** : Lire les messages d'avertissement qui suivent avant d'utiliser l'appareil.

- Toujours utiliser un équipement de protection personnelle homologué lors de l'utilisation de l'outil. Cet équipement de protection personnelle n'élimine pas complètement les risques de blessures, mais il peut en réduire la gravité en cas d'accident. Le revendeur aidera l'utilisateur à sélectionner l'équipement adéquat.
- Vérifier régulièrement l'état de l'équipement de protection personnelle.
- Porter un casque de protection approuvé.
- Porter un dispositif de protection homologué pour les oreilles.
- Utiliser un dispositif de protection respiratoire homologué.
- Porter un dispositif de protection pour les yeux homologué avec écrans latéraux.
- Porter des gants de protection.
- Utiliser des bottes à embout en acier et semelles antidérapantes.
- Porter des vêtements de travail homologués ou des vêtements ajustés équivalents avec des manches longues et des pantalons.

### Extincteur

- Garder un extincteur à proximité pendant le sciage.
- Utiliser un extincteur à poudre de classe « ABE » ou un extincteur au dioxyde de carbone de type « BE ».

### Dispositifs de sécurité sur l'outil



**AVERTISSEMENT** : Lire les messages d'avertissement qui suivent avant d'utiliser l'appareil.

- Ne pas utiliser le produit si les dispositifs de sécurité sont endommagés ou s'ils ne fonctionnent pas correctement.
- Vérifier régulièrement les dispositifs de sécurité. Si les dispositifs de sécurité sont endommagés ou ne fonctionnent pas correctement, communiquez avec votre atelier spécialisé Husqvarna.
- Ne pas modifier les dispositifs de sécurité.

### Silencieux

Le silencieux maintient le niveau de bruit au minimum et dirige les gaz d'échappement loin de l'utilisateur.

Ne pas utiliser le produit si le silencieux est manquant ou endommagé. Un silencieux endommagé augmente le niveau sonore et le risque d'incendie.



**AVERTISSEMENT** : Le silencieux devient très chaud pendant et après utilisation et lorsque le moteur tourne au ralenti. Faire attention à proximité des matériaux inflammables ou des fumées afin d'éviter tout risque d'incendie.

### Pour vérifier le silencieux

- Examiner régulièrement le silencieux pour s'assurer qu'il est correctement raccordé et en bon état.

### Interrupteur ON/OFF du moteur (Honda)

Le moteur ne peut démarrer que lorsque l'interrupteur ON/OFF du moteur est réglé sur ON. Le moteur s'arrête lorsque l'interrupteur ON/OFF du moteur est réglé sur OFF.

### Vérification de l'interrupteur ON/OFF du moteur

1. Démarrer le moteur. Se reporter à *Démarrage du produit (Honda)* à la page 40.
2. Régler l'interrupteur ON/OFF du moteur sur OFF. Le moteur s'arrête.

### Cadre de sécurité

Le cadre de sécurité permet d'éviter les dommages si le produit tombe au sol. La poignée et le point de levage font partie du cadre de sécurité.

### Vérification du cadre de sécurité

- S'assurer que le cadre de sécurité ne présente pas de fissures ou de dommages.
- S'assurer que le cadre de sécurité est installé correctement sur le produit.

### Unité antivibrations

Les unités antivibrations réduisent les vibrations dans le produit. Les unités antivibrations réduisent les vibrations nuisibles pour prévenir les blessures à l'opérateur et les dommages au produit.

### Pour vérifier les unités anti-vibrations

Il y a 4 unités anti-vibrations, 2 sur le côté gauche et 2 sur le côté droit du produit.

- Vérifier que les éléments antivibrations sont correctement installés.
- Examiner les unités anti-vibrations pour s'assurer qu'elles ne présentent pas de dommages ou de fissures.
- Remplacer les unités anti-vibrations si elles sont endommagées.

## Sécurité – carburant



**AVERTISSEMENT** : Lire les messages d'avertissement qui suivent avant d'utiliser l'appareil.

- L'essence est inflammable et les vapeurs sont explosives. Faire attention avec le carburant afin d'éviter toute blessure, tout incendie et toute explosion.
- Ne pas respirer les vapeurs de carburant. Les vapeurs de carburant sont toxiques et peuvent provoquer des blessures. S'assurer que le débit d'air est suffisant.
- Ne pas enlever le bouchon du réservoir de carburant ou remplir le réservoir de carburant lorsque le moteur est en marche.
- Vérifier que le moteur est froid avant de faire le plein.
- Ne pas faire le plein de carburant à l'intérieur. Un débit d'air insuffisant peut entraîner des blessures ou la mort en raison d'une asphyxie ou d'un empoisonnement à l'oxyde de carbone.
- Ne pas fumer à proximité du carburant ou du moteur.
- Ne pas placer des objets chauds à proximité du carburant ou du moteur.
- Ne pas faire l'appoint de carburant à proximité d'étincelles ou de flammes.
- Avant de faire le plein, ouvrir lentement le couvercle du réservoir de carburant et relâcher la pression avec précaution.
- Le carburant peut provoquer des lésions cutanées. Si du carburant se déverse sur la peau, se nettoyer au savon doux et à l'eau.
- Si du carburant se déverse sur les vêtements, changer immédiatement de vêtement.
- Ne jamais remplir le réservoir de carburant complètement. La chaleur provoque une dilatation du carburant. Laisser un espace dans la partie supérieure du réservoir de carburant.
- Serrer fermement le couvercle du réservoir de carburant. Si le couvercle du réservoir de carburant n'est pas bien serré, il y a un risque d'incendie.
- Avant de démarrer l'outil, le déplacer à au moins 3 m (10 pi) de l'endroit où le plein de carburant a eu lieu.
- Ne pas démarrer l'outil s'il y a du carburant ou de l'huile moteur sur l'outil. Éponger le carburant et l'huile moteur indésirables et laisser l'outil sécher avant de démarrer le moteur.
- Vérifier régulièrement le moteur à la recherche de fuites. S'il y a des fuites dans le système de carburant, ne pas démarrer le moteur jusqu'à ce que les fuites soient réparées.
- Ne pas utiliser les doigts pour rechercher d'éventuelles fuites au niveau du moteur.
- N'entreposer le carburant que dans des contenants homologués.

- Lorsque l'outil et le carburant sont entreposés, s'assurer que le carburant et les vapeurs de carburant ne peuvent pas provoquer de dommages.
- Vider le carburant dans un contenant homologué à l'extérieur et loin d'étincelles ou de flammes.

## Consignes de sécurité relatives au travail sur les terrains en pente



**AVERTISSEMENT** : Lire les messages d'avertissement qui suivent avant d'utiliser l'appareil.

- Ne pas utiliser le produit dans des pentes dont l'inclinaison est supérieure à 20°. Le sol meuble, les vibrations et la vitesse de fonctionnement peuvent faire chuter le produit sur une pente dont l'inclinaison est inférieure à 20°.
- S'assurer que la zone de travail est sans danger. La terre humide et la terre meuble rendent l'utilisation du produit moins sécuritaire. Faire preuve d'une grande prudence sur les pentes et les surfaces irrégulières.
- S'assurer que toutes les personnes dans la zone de travail se trouvent plus haut que le produit sur la pente.
- Utiliser le produit vers le haut ou vers le bas de la pente, et non d'un côté à l'autre.
- Ne pas stationner le produit dans une pente. Si le produit doit être stationné sur une pente, s'assurer qu'il ne peut pas bouger ou tomber. Il y a un risque de blessure et de dommage.

## Instructions de sécurité relatives au travail près des bords



**AVERTISSEMENT** : Lire les messages d'avertissement qui suivent avant d'utiliser l'appareil.

- Il y a un risque que le produit tombe au cours de son utilisation près d'un bord. Toujours maintenir un minimum de ½ du produit sur une surface suffisamment stable pour supporter le poids du produit.
- Si le produit tombe, arrêter le moteur avant de soulever à nouveau sur une surface suffisamment stable. Se reporter à la section *Levage du produit à la page 45*.

## Consignes de sécurité pour l'entretien



**AVERTISSEMENT** : Lire les messages d'avertissement qui suivent avant d'utiliser l'appareil.

- Si la maintenance n'est pas effectuée correctement et régulièrement, le risque de blessures et de dommages sur l'outil augmente.

- Utiliser un équipement de protection personnelle. Se reporter à la section *Équipement de protection personnelle à la page 38*.
- Arrêter le moteur et s'assurer que toutes les pièces du produit sont froides avant de procéder à l'entretien.
- Nettoyer le produit pour éliminer les matières dangereuses avant d'effectuer la maintenance.
- Débrancher la bougie d'allumage avant de procéder à l'entretien.
- Les gaz d'échappement du moteur sont chauds et peuvent contenir des étincelles. Ne pas utiliser l'outil dans un local clos ou à proximité de matériaux inflammables.
- Ne pas modifier l'outil. Toute modification non approuvée par le fabricant peut entraîner des blessures graves, voire mortelles.
- Toujours utiliser des accessoires et des pièces de rechange d'origine. Les accessoires et les pièces

de rechange qui ne sont pas approuvés par le fabricant peuvent causer des blessures graves, voire mortelles.

- Remplacer les pièces endommagées, usées ou brisées.
- N'effectuer que les travaux d'entretien indiqués dans ce manuel d'utilisation. Confier toutes les autres opérations d'entretien à un centre de service agréé.
- Retirer tous les outils du produit avant de démarrer le moteur après la maintenance. Des outils non fixés ou fixés aux pièces tournantes peuvent s'éjecter et provoquer des blessures.
- Après l'entretien, vérifier le niveau de vibrations du produit. En cas de problème, communiquer avec un centre d'entretien agréé.
- Demander à un centre de service agréé d'effectuer régulièrement l'entretien de l'outil.

## Fonctionnement

### Introduction



**AVERTISSEMENT :** Lire et comprendre le chapitre sur la sécurité avant d'utiliser le produit.

### Avant d'utiliser le produit

- Lire attentivement le manuel d'utilisation et veiller à bien comprendre les directives.
- Lire le manuel du moteur fourni par le fabricant du moteur.
- Effectuer l'entretien quotidien. Se reporter à la section *Calendrier d'entretien à la page 41*.

### Réservoir d'eau

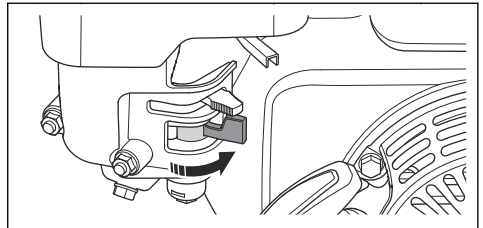
Sur les modèles FP 75, il existe un réservoir d'eau en option pour le compactage de l'asphalte.



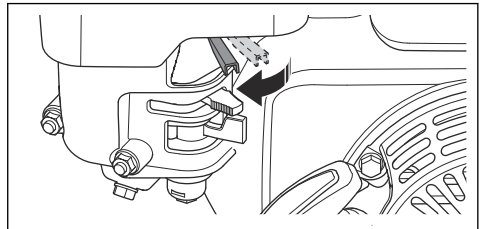
**MISE EN GARDE :** ne versez pas d'autres liquides que de l'eau dans le réservoir d'eau. Les autres liquides peuvent endommager le produit et être nocifs pour l'environnement.

### Démarrage du produit (Honda)

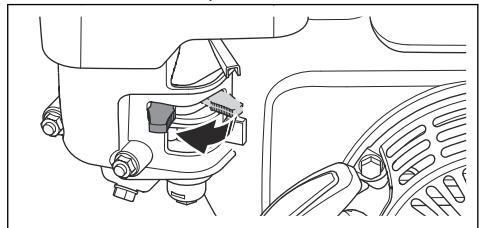
1. Ouvrir le robinet de carburant.



2. Placez la commande d'accélération sur régime à un tiers.



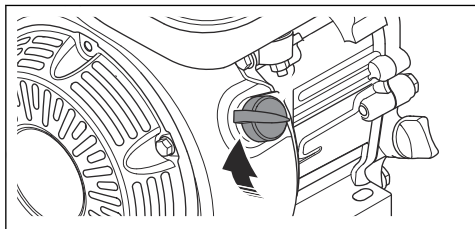
3. Mettre le starter à la position correcte.



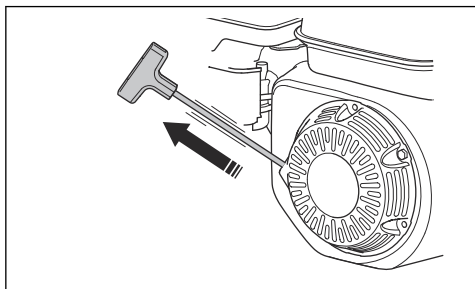
- a) Si le moteur est froid, fermez le starter.



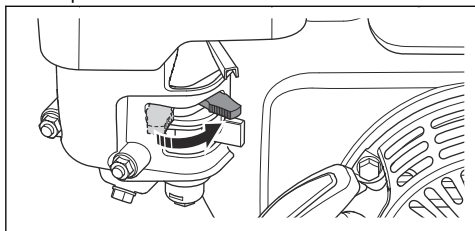
- b) Si le moteur est chaud ou si la température ambiante est élevée, ouvrez le starter.
4. Placez l'interrupteur de marche/arrêt du moteur sur « ON ».



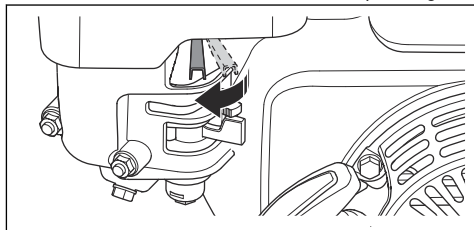
5. Tirer lentement sur la poignée du câble de démarrage jusqu'à ce qu'une résistance soit ressentie.



6. Relâcher la poignée de la corde du lanceur pour laisser la corde se rembobiner.
7. Tirer sur la poignée du câble du lanceur jusqu'à ce que le moteur démarre.
8. Ouvrez progressivement le starter jusqu'à l'ouverture complète.



9. Laissez le moteur fonctionner au régime de ralenti pendant 2 à 3 minutes.
10. Placez la commande d'accélération sur plein régime.



## Arrêt du produit

- Déplacer la commande d'accélération vers l'arrière à la position de régime de ralenti.
- Régler l'interrupteur de marche/arrêt à la position d'arrêt. Le moteur s'arrête.
- Placer le robinet de carburant à la position d'arrêt.

## Utilisation du produit



**MISE EN GARDE :** Toujours faire fonctionner le produit vers l'avant et à plein régime. Un régime moteur plus bas et un mouvement vers l'arrière empêchent le bon fonctionnement de l'élément excentré et peuvent causer une défaillance du produit.

- S'assurer que la commande d'accélérateur est réglée à plein régime.
- Poussez délicatement le produit vers l'avant.



**MISE EN GARDE :** Ne pas appuyer sur le produit. Une pression trop élevée peut entraîner des résultats insatisfaisants.

- Pour changer de direction, tourner le produit.
  - Pour tourner le produit avec un rayon de braquage minimal, relever la poignée à un angle de 90 degrés. Utilisez cette fonction dans les petits espaces et sur les surfaces non planes.

## Entretien

### Introduction



**AVERTISSEMENT :** Lire et comprendre le chapitre sur la sécurité avant de faire l'entretien du produit.

### Calendrier d'entretien

\* = Entretien général effectué par l'opérateur. Les instructions ne sont pas mentionnées dans ce manuel d'utilisation.

X = Les instructions sont décrites dans ce manuel de l'opérateur.

O = Se reporter aux instructions du manuel du moteur fourni par le fabricant du moteur.

<b>Entretien général du produit</b>	<b>Avant utilisation, toutes les 10 heures</b>	<b>Toutes les semaines, toutes les 100 h</b>
Assurez-vous qu'il n'y a pas de fuite d'huile ou de carburant.	*	
Nettoyer le produit.	X	
Assurez-vous que les vis et les écrous sont serrés.	*	
Examiner la commande d'accélérateur et le starter pour détecter d'éventuels dommages.	*	
Assurez-vous que la commande d'accélération et la commande de starter peuvent être déplacées en douceur.	*	
Lubrifier les commandes et les tringleries.	*	
Vérifiez que les dispositifs anti-vibrations ne présentent pas de dommages.		X
Inspectez la tension de la courroie trapézoïdale et vérifiez l'absence de dommages. Réglez ou remplacez la courroie trapézoïdale si nécessaire.		X

<b>Entretien du moteur</b>	<b>Avant utilisation, toutes les 10 heures</b>	<b>Après les 20 premières heures</b>	<b>Toutes les semaines, toutes les 100 h</b>	<b>Tous les ans, toutes les 300 heures</b>
Vérifiez le niveau de carburant et le niveau d'huile moteur.	X			
Nettoyez les ailettes de refroidissement du moteur.	O			
Vérifier le filtre à air. Nettoyez le filtre à air si nécessaire.	X	X		
Nettoyer le filtre à air.			X	
Remplacer le filtre à air.				X
Changez l'huile moteur.		X	X	X
Vérifiez la vitesse du moteur.		O	O	O
Vérifiez l'état de la bougie et nettoyez-la. Remplacez la bougie si nécessaire.			O	
Remplacer la bougie d'allumage.				O
Nettoyer le robinet de carburant du carburateur.			O	O
Nettoyez le pare-étincelles du silencieux.			O	O
Réglez le jeu de la tête de la vanne de prise d'air et les vannes d'échappement.				O
Vidangez le carburant, puis nettoyez le réservoir de carburant et le filtre à carburant.			O	O
Nettoyez et réglez le carburateur.				O
Remplacez le filtre à carburant.				O

## Pour effectuer une inspection générale

- S'assurer que tous les écrous et toutes les vis sur le produit sont serrés correctement.

## Nettoyage de la machine

- Utiliser de l'eau courante provenant d'un boyau d'arrosage ou d'un pulvérisateur à haute pression pour nettoyer le produit.



**MISE EN GARDE :** Ne pas diriger l'eau directement vers le bouchon du réservoir de carburant, les composants électriques ou le moteur.

- Retirez la graisse et l'huile de la poignée.

## Vérification du niveau d'huile moteur

1. Retirer le bouchon du réservoir d'huile et la jauge d'huile.
2. Nettoyer l'huile sur la jauge d'huile.
3. Remettre la jauge d'huile à fond dans le réservoir d'huile.
4. Retirer la jauge d'huile.
5. Examiner le niveau d'huile sur la jauge d'huile.
6. Si le niveau d'huile est trop bas, remplir avec de l'huile moteur et vérifier de nouveau le niveau d'huile. Se reporter à la section *Caractéristiques techniques à la page 47* ou le manuel du moteur pour le type d'huile approprié.

## Remplacement de l'huile moteur (Honda)

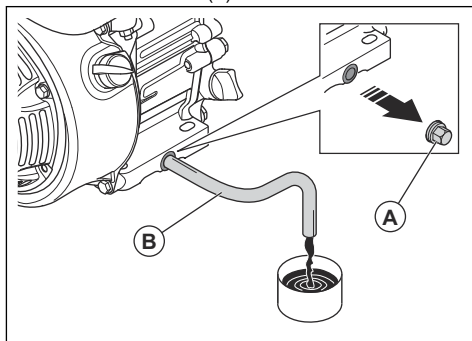
Si le moteur est froid, démarrer le moteur pendant 1 à 2 minutes avant de vidanger l'huile moteur. Cela réchauffe l'huile moteur, ce qui facilite la vidange.



**AVERTISSEMENT :** L'huile moteur est très chaude directement après l'arrêt du moteur. Laisser le moteur se refroidir avant de vidanger l'huile moteur. En cas de déversement d'huile moteur sur la peau, nettoyer avec du savon et de l'eau.

1. Placez un récipient sous le bouchon de vidange pour récupérer l'huile moteur.

2. Déposez le bouchon de vidange d'huile (A) et branchez un flexible (B).



3. Incliner le produit et laisser l'huile s'écouler dans le récipient.
4. Retirez le flexible.
5. Installez le bouchon de vidange d'huile et serrez-le.
6. Faites le plein d'huile moteur neuve. Reportez-vous à la section *Caractéristiques techniques à la page 47* ou au manuel du moteur pour connaître le type d'huile approprié.
7. Contrôlez le niveau d'huile moteur.

## Filtre à air



**AVERTISSEMENT :** Porter un dispositif de protection respiratoire homologué lors du nettoyage ou du remplacement du filtre à air. Mettre au rebut les filtres à air usés correctement. L'inhalation de poussière présente dans le filtre à air est dangereuse pour la santé.



**MISE EN GARDE :** Toujours remplacer un filtre à air endommagé, sinon la poussière risque de pénétrer dans le moteur et de l'endommager.

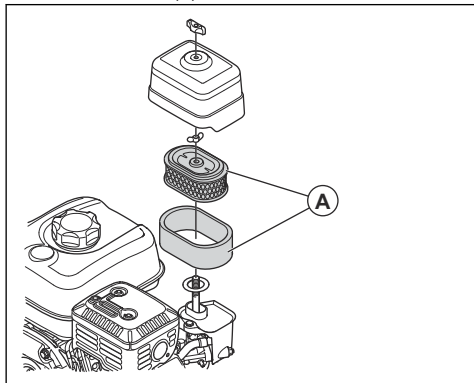
## Nettoyage ou remplacement du filtre à air (Honda)



**AVERTISSEMENT :** Ne pas nettoyer le filtre à air à l'air comprimé. Cela endommage le filtre à air et augmente le risque de respirer la poussière dangereuse.

1. Tourner le bouton sur le couvercle de filtre à air et retirer ce couvercle.

- Retirer l'élément du filtre en papier et l'élément du filtre en mousse (A).



- Nettoyer le boîtier du filtre à l'aide d'une brosse.
- Vérifier les éléments du filtre à air pour détecter des dommages.
- Tapoter l'élément du filtre en papier contre une surface dure ou utiliser un aspirateur pour éliminer les particules.



**MISE EN GARDE :** Ne pas laisser l'embout de l'aspirateur toucher la surface de l'élément du filtre en papier. Garder une petite distance. La surface sensible de l'élément du filtre en papier est endommagée en cas de contact avec des objets.

- Nettoyer l'élément du filtre en mousse avec une solution de savon et d'eau.
- Rincer l'élément du filtre en mousse à l'eau claire.
- Comprimer l'élément du filtre en mousse pour éliminer l'eau et laisser l'élément du filtre en mousse sécher complètement.
- Lubrifier l'élément du filtre en mousse avec de l'huile moteur.
- Appuyer un chiffon propre contre l'élément du filtre en mousse pour éliminer l'huile superflue.

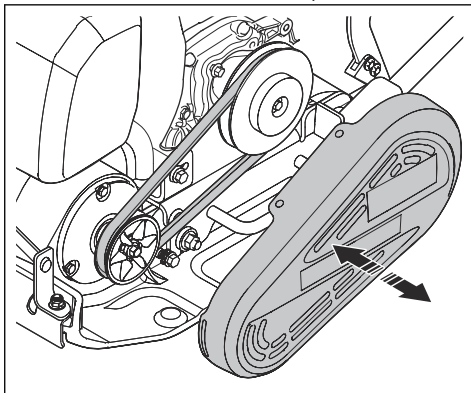
- Réinstaller le filtre à air dans la séquence inverse.

## Pour contrôler la courroie trapézoïdale



**AVERTISSEMENT :** n'utilisez pas le produit si le couvercle de la courroie trapézoïdale n'est pas installé.

- Couper le moteur.
- Retirez le carter de la courroie trapézoïdale.



- Vérifiez l'absence de dommages et de défauts au niveau de la courroie trapézoïdale. Remplacez la courroie trapézoïdale si nécessaire.
- Vérifier la tension de la courroie en V.
- Si la tension est insuffisante, procédez comme suit :
  - Desserrez les 4 boulons qui fixent le moteur à la plaque inférieure.
  - Reculez le moteur.
  - Assurez-vous que les poulies de la courroie trapézoïdale sont alignées, puis serrez les 4 boulons.
- Installez le couvercle de la courroie trapézoïdale.

## Transport, entreposage et mise au rebut

### Transport



**AVERTISSEMENT :** Être prudent lors du transport. Le produit est lourd et peut causer des blessures ou des dommages s'il se renverse ou se déplace pendant le transport.

de plus longues distances, soulever le produit pour le déplacer ou le placer sur un véhicule.

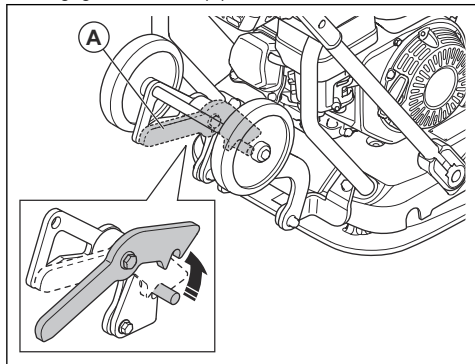


**MISE EN GARDE :** Ne pas remorquer le produit derrière un véhicule.

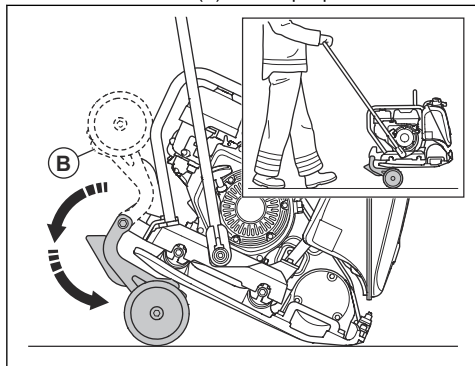
Les roues de transport vous permettent de déplacer le produit manuellement sur une courte distance. Pour

## Engagement des roues de transport (option)

1. Dégagez le crochet (A).



2. Rabattez les roues (B) sous la plaque inférieure.



## Levage du produit



**AVERTISSEMENT** : assurez-vous que l'équipement de levage présente la bonne spécification afin de soulever le produit en toute sécurité. Le poids du produit figure sur sa plaque signalétique.

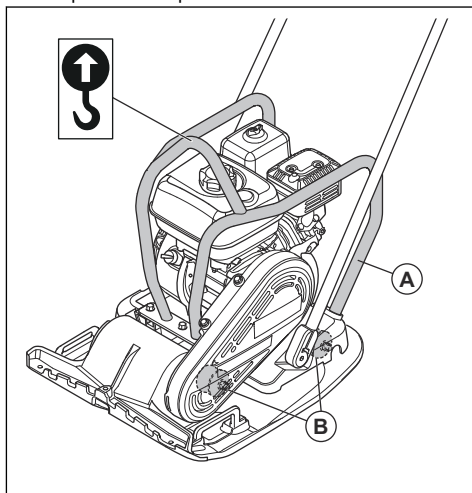


**AVERTISSEMENT** : Ne pas marcher sur un produit soulevé et ne pas rester en dessous ou à proximité.



**MISE EN GARDE** : Ne pas utiliser de crochets métalliques, de chaînes ou d'autres équipements de levage aux bords rugueux qui pourraient endommager le cadre de sécurité.

1. Fixer l'équipement de levage au point de levage du cadre de sécurité. Une étiquette sur le produit indique la bonne position.

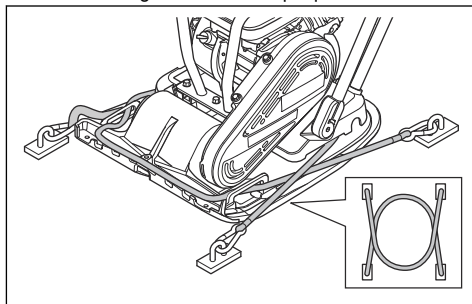


**AVERTISSEMENT** : ne soulevez pas un produit endommagé. S'assurer que le cadre de sécurité (A) et les unités anti-vibrations (B) sont correctement installés et ne sont pas endommagés.

2. Soulevez le produit.

## Pour transporter le produit placé sur un véhicule de transport en toute sécurité avec des sangles d'arrimage

- Placer 2 sangles autour de la plaque inférieure.



- a) Placez 1 sangle autour de la partie avant de la plaque inférieure et fixez-la au véhicule.
- b) Placez 1 sangle autour de la partie arrière de la plaque inférieure et fixez-la au véhicule.

## Entreposage

- Videz le carburant du réservoir de carburant avant de remiser le produit pendant une longue période.

Mettre au rebut le carburant à un emplacement adéquat.

- Nettoyez le produit avant de le remiser. Éliminer l'huile et la poussière des pièces en caoutchouc.
- Nettoyer le filtre à air avant l'entreposage.
- Tirer avec précaution sur la poignée du lanceur jusqu'à sentir une petite résistance. Cela ferme les soupapes et empêche l'humidité de pénétrer dans le cylindre du moteur.
- Placez un capot de protection sur le produit.
- Conserver le produit dans un endroit sec et à l'abri du gel.
- Conserver le produit dans un endroit verrouillé afin que des enfants ou personnes qui ne sont pas autorisées à l'utiliser ne puissent pas y avoir accès.

## Mise au rebut

- Respecter les exigences locales en matière de recyclage et la réglementation en vigueur.
- Mettre au rebut tous les produits chimiques, tel que le moteur d'huile ou de carburant, dans un centre de service ou à un emplacement de mise au rebut adéquat.
- Lorsqu'on n'utilise plus le produit, l'envoyer à un détaillant Husqvarna ou le mettre au rebut à un emplacement de recyclage.

---

## Accessoires

---

Accessoire	
Ensemble de roues de transport, numéro de pièce	594 20 49-01
Réservoir d'eau, numéro de pièce	596 39 29-02
Dispositif de levage Forklifiting, numéro de pièce	595 50 31-01
Poignée à faible vibration, numéro de pièce	594 20 50-01
Ensemble de pavage de dalles, numéro de pièce	594 86 81-01

# Données techniques

## Caractéristiques techniques

Poids net, kg/lb	86,6/191
Poids de fonctionnement (EN500, avec huile, carburant ½), kg/lb	94,5/208
Marque/type du moteur	Honda, GX160
Puissance du moteur, kW/hp à tr/min <sup>3</sup>	3,6/4,8 à 3600
Fréquence de vibration, Hz/tr/min	95/5700
Amplitude, mm/po	1/0,39
Force centrifuge, kN/lbf	14,6/3282
Vitesse de fonctionnement, m/min ou pi/min	27/88,6
Inclinaison maximale, degrés/%	17/30
Capacité du réservoir de carburant, l/pintes	3,1/3,3
Capacité d'huile moteur *, l/qt	0,6/0,63
Consommation de carburant, l/h ou pintes/h	1,21 ou 1,28
Réservoir d'eau pour l'asphalte, l/gal (en option)	13/3,4
Carburant*	Essence sans plomb, 10 % d'éthanol max
Huile moteur*	SAE 10W-30, API classe SJ
<b>Vibrations et émissions sonores</b>	
Niveau de puissance sonore, mesuré en dB (A)	102

\* = Pour de plus amples informations et pour toute question concernant ce moteur en particulier, consultez le manuel du moteur ou le site Internet du fabricant du moteur.

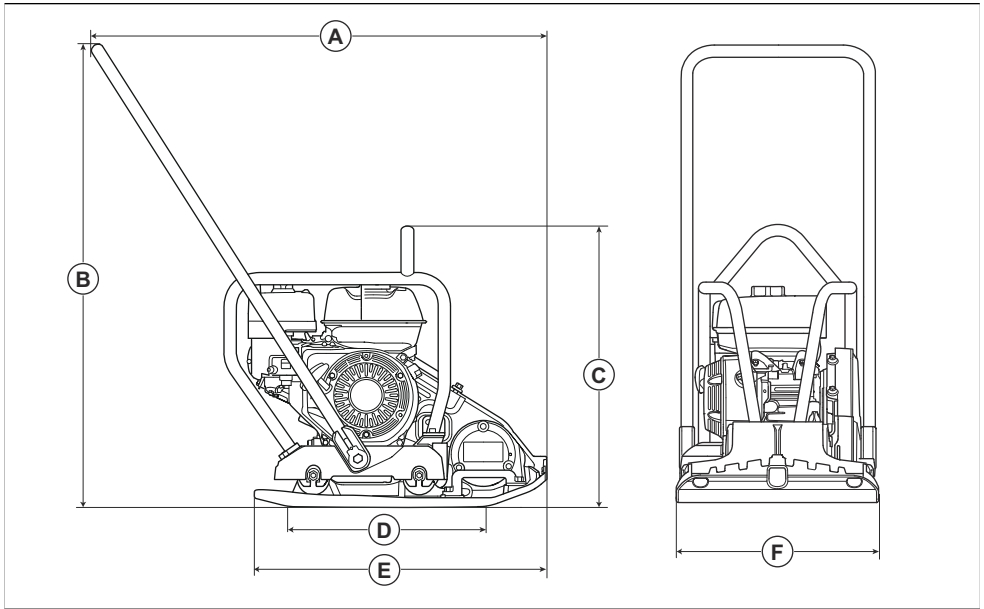
## Déclaration relative au bruit et aux vibrations

Ces valeurs déclarées ont été obtenues par essai en laboratoire conformément à la directive ou aux normes indiquées et peuvent être comparées aux valeurs

déclarées d'autres produits testés conformément à la même directive ou aux mêmes normes. Ces valeurs déclarées ne conviennent pas aux évaluations des risques et les valeurs mesurées sur des lieux de travail individuels peuvent être plus élevées. Les valeurs d'exposition réelles et le risque d'atteinte encouru par un utilisateur individuel sont uniques et dépendent de la façon dont l'utilisateur travaille, du matériau dans lequel le produit est utilisé, du temps d'exposition et de la condition physique de l'utilisateur, ainsi que de l'état du produit.

<sup>3</sup> Chiffre spécifié par le constructeur du moteur. La puissance nominale du moteur indiquée est la sortie moyenne nette (à un tour par minute spécifié) d'un moteur de production typique du modèle de moteur, mesurée selon la norme SAE J1349/ISO1585. Les moteurs de production en série peuvent varier de cette valeur. La puissance de sortie effective du moteur installé sur le produit fini dépend de la vitesse de fonctionnement, des conditions environnementales et d'autres valeurs.

## Dimensions de l'outil



<b>A</b>	Hauteur avec la poignée, mm/po	926/36,5	<b>D</b>	Zone de contact de la plaque inférieure, m <sup>2</sup> /pi <sup>2</sup>	0,142/1,5
<b>B</b>	Hauteur du guidon, mm/po	940/37	<b>E</b>	Longueur de plaque inférieure, mm/po.	570/22,4
<b>C</b>	Hauteur au point de levage du cadre de sécurité, mm/po.	595/23,4	<b>F</b>	Largeur, mm/po	420/16,5









# *patron*™

Original instructions  
Instrucciones originales  
Instructions d'origine

1141256-49



2024-04-30