



# Husqvarna®



## K 770 VAC

EN	Operator's manual	2-32
DE	Bedienungsanweisung	33-64
FR	Manuel d'utilisation	65-97
NL	Gebruiksaanwijzing	98-128

---

## Contents

---

Introduction.....	2	Troubleshooting.....	26
Safety.....	5	Transportation, storage and disposal.....	28
Assembly.....	12	Technical data.....	29
Operation.....	16	Declaration of Conformity.....	31
Maintenance.....	21		

---

## Introduction

---

### Product description

This HUSQVARNA power cutter is a portable handheld cut-off machine powered by a two-stroke combustion engine. The product has a blade guard, a blade guard extender and a dust shield that collect particles and sparks and move them away from the operator. The product operates with an external dust extractor.

### Intended use

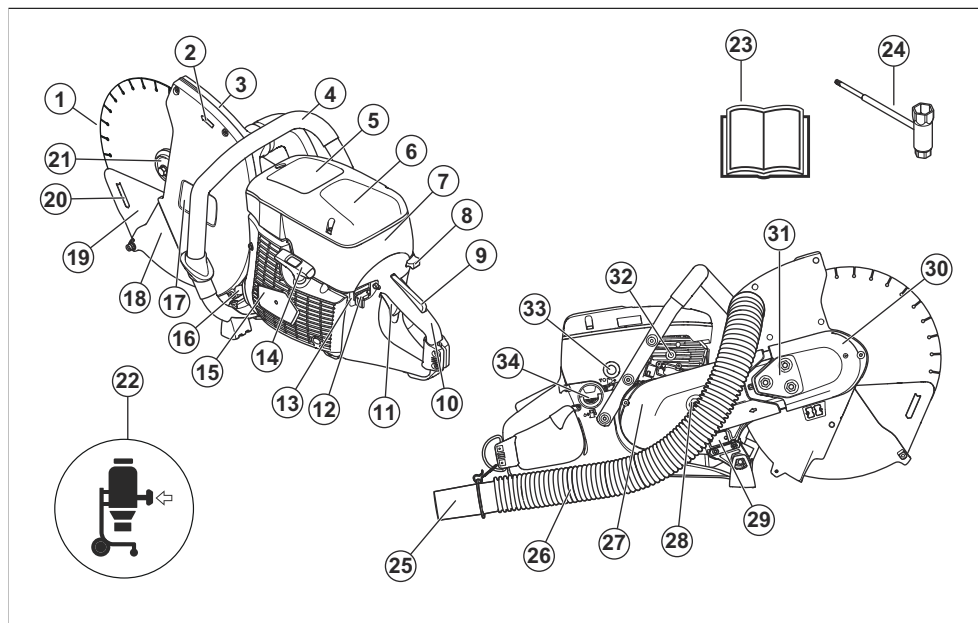
The product is used to cut hard materials as concrete, masonry and stone. Do not use the product for other

tasks. The product must only be used by professional operators with experience.

**Note:** National regulations can set limits to the operation of the product.

---

### Product overview K 770 VAC



1. Cutting blade (not supplied)
2. Rotation direction
3. Blade guard
4. Front handle

5. Warning decal
  6. Air filter cover
  7. Starting instruction decal
  8. Choke control
-

9. Throttle trigger lockout
10. Rear handle
11. Throttle trigger
12. Stop switch
13. Disconnection function for OilGuard
14. Starter handle
15. Starter housing
16. Muffler
17. Cutting equipment decal
18. Blade guard extender
19. Dust shield
20. Cutting direction
21. Flange, spindle, bushing
22. Dust extractor (Not supplied)
23. Operator's manual
24. Combination spanner
25. Dust extractor attachment
26. Hose
27. Rear belt guard
28. Belt tensioner
29. Type plate
30. Front belt guard
31. Lock screws for belt adjustment
32. Decompression valve
33. Air purge bulb
34. Fuel cap



**WARNING!** Kickbacks can be sudden, rapid and violent and can cause life threatening injuries. Read and understand the instructions in the manual before using the product. Refer to *Kickback on page 9*.



**WARNING!** Sparks from the cutting blade can cause fire in combustible materials such as: petrol (gas), wood, clothes, dry grass, etc.



**WARNING!** Ensure the blades are not cracked or damaged in any other way.



**WARNING!** Do not use circular saw blades.



**WARNING!** Do not use bonded abrasive blades.



**WARNING!** For dry cutting only.



Use diamond blades only.

## Symbols on the product



**WARNING!** The product can be a dangerous tool if used incorrectly or carelessly, which can cause serious or fatal injury to the operator or others.



Read the operator's manual carefully and make sure that you understand the instructions before you use this product.



Always use approved personal protective equipment. Refer to *Personal protective equipment on page 6*.



This product is in accordance with applicable EU directives.



**WARNING!** Dust forms when cutting, this can cause injuries if inhaled. Use an approved breathing mask. Avoid inhaling exhaust fumes. Always provide for good ventilation.



Choke



Air purge bulb



Decompression valve



Starter rope handle



Use a fuel mixture of gasoline and oil.

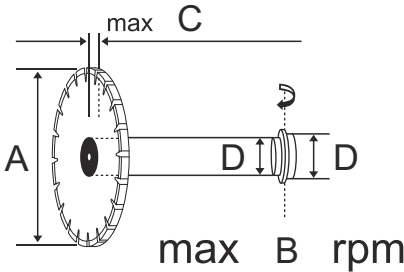


Connect an external dust extractor to the product. For required specifications, refer to *Technical data on page 29*.



Noise emission to the environment label as per EU and UK directives and regulations. The guaranteed sound power level of the product is specified in *Technical data on page 29* and on the label.

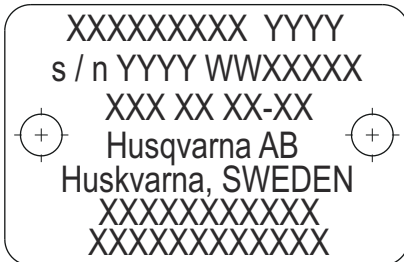
### Cutting equipment decal



- A: Cutting blade diameter.
- B: Maximum speed output.
- C: Maximum blade thickness.
- D: Bushing dimension.

**Note:** Other symbols or decals on the product refer to certification requirements for some markets.

### Type plate



Row 1: Brand, Model (X, Y)

Row 2: Serial No. with manufacturing date (Y, W, X): Year, Week, Sequence No.

Row 3: Product No. (X)

Row 4: Manufacturer

Row 5: Manufacturer address

Rows 6–7: If applicable, EU type approval number or Chinese MEIN number

### Euro V Emissions



**WARNING:** Tampering with the engine voids the EU type-approval of this product.

### Product damage

We are not responsible for damages to our product if:

- the product is incorrectly repaired.
- the product is repaired with parts that are not from the manufacturer or not approved by the manufacturer.
- the product has an accessory that is not from the manufacturer or not approved by the manufacturer.
- the product is not repaired at an approved service center or by an approved authority.

---

# Safety

---

## Safety definitions

Warnings, cautions and notes are used to point out specially important parts of the manual.



**WARNING:** Used if there is a risk of injury or death for the operator or bystanders if the instructions in the manual are not obeyed.



**CAUTION:** Used if there is a risk of damage to the product, other materials or the adjacent area if the instructions in the manual are not obeyed.

**Note:** Used to give more information that is necessary in a given situation.

## General safety instructions



**WARNING:** Read the warning instructions that follow before you use the product.

- A power cutter is a dangerous tool if used carelessly or incorrectly and can cause serious injury or death. It is very important that you read and understand the contents of this operator's manual. It is also recommended that first time operators also obtain practical instruction before using the machine.
- Under no circumstances may the design of the product be modified without the permission of the manufacturer. Do not use a product that appears to have been modified by others and always use original accessories. Non-authorized modifications and/or accessories can result in serious personal injury or the death of the operator or others.
- Keep the product clean. Signs and decals must be fully visible.
- Never allow children or other persons not trained in the use of the product to use or service it.
- Do not let a person use the product unless you make sure that they understand the contents of the manual.
- Long term inhalation of the engine's exhaust fumes can represent a health risk. When the engine is running the exhaust contains chemicals such as unburned hydrocarbons and carbon monoxide. The content of the exhaust fumes is known to cause respiratory problems, cancer, birth defects or other reproductive harm.

Carbon monoxide is colorless and tasteless and is always present in exhaust fumes. The onset of carbon monoxide poisoning is distinguished by

a slight dizziness which may or may not be recognized by the victim. A person may collapse and lapse into unconsciousness with no warning if the concentration of carbon monoxide is sufficiently high. Since carbon monoxide is colorless and odorless, its presence can not be detected. Any time exhaust odors are noticed, carbon monoxide is present. Never use a petrol powered power cutter indoors or in trenches more than 1m (3ft) deep or in other areas with poor ventilation. Ensure proper ventilation when working in trenches or other confined areas.

- This product produces an electromagnetic field during operation. This field may under some circumstances interfere with active or passive medical implants. To reduce the risk of serious or fatal injury, we recommend persons with medical implants to consult their physician and the medical implant manufacturer before operating this product.
- The information in this operator's manual is never a substitute for professional skills and experience. If you get into a situation where you feel unsafe, stop and seek expert advice. Contact your servicing dealer. Do not attempt any task that you feel unsure of!

## Safety instructions for assembly



**WARNING:** Read the warning instructions that follow before you assemble the product.

- Make sure that the engine is off and that the stop switch is in the STOP position.
- Always use protective gloves when you assemble the product.

## Safety instructions for operation



**WARNING:** Read the warning instructions that follow before you use the product.

- Before using a power cutter you must understand the effects of kickback and how to avoid them. Refer to *Kickback on page 9*.
- Never use a product that is faulty. Carry out the safety checks, maintenance and service instructions described in this manual. Some maintenance and service measures must be carried out by trained and qualified specialists. Refer to *Maintenance on page 21*.
- Never use the product if you are fatigued, while under the influence of alcohol or drugs, medication or anything that could affect your vision, alertness, coordination or judgement.

- Do not start the product without the belt and the belt guard installed. The clutch can become loose and cause injury.
- Sparks from the cutting blade can cause fire in flammable materials such as gasoline, gas, wood, clothes and dry grass.
- Use a cutting blade only for material that it is made to cut.
- Do not cut asbestos material.

## Work area safety



**WARNING:** Read the warning instructions that follow before you use the product.

- The safety distance for the power cutter is 15 m (50 ft). You are responsible to ensure that animals and onlookers are not within the working area. Do not start cutting until the working area is clear and you are standing firmly.
- Observe your surroundings to ensure that nothing can affect your control of the product.
- Ensure that no persons or objects can come into contact with the cutting equipment or be hit by parts thrown by the blade.
- Do not use the product in bad weather, such as dense fog, heavy rain, strong wind, intense cold, etc. Working in bad weather is tiring and can lead to dangerous conditions, such as slippery surfaces.
- Never start to work with the product before the working area is clear and you have a firm foothold. Look out for any obstacles with unexpected movement.
- Ensure when cutting that no material can become loose and fall, causing injury to the operator. Take great care when working on sloping ground.
- Ensure that the working area is sufficiently illuminated to create a safe working environment.
- Make sure that no pipes or electrical cables are routed in the working area or in the material to be cut.
- If cutting into a container (drum, pipe, or other container) you must first make sure it does not contain flammable or other volatile material.

## Personal protective equipment



**WARNING:** Read the warning instructions that follow before you use the product.

- Always use approved personal protective equipment during operation. Personal protective equipment cannot eliminate the risk of injury but it will reduce the degree of injury if an accident does happen. Ask your servicing dealer for help in choosing the right equipment.
- Use an approved protective helmet.

- Use approved hearing protection. Long-term exposure to noise can result in permanent hearing impairment. Be aware of warning signals or shouts when you are wearing hearing protection. Always remove your hearing protection as soon as the engine stops.
- Use approved eye protection to decrease the risk of injury from thrown objects. If you use a face shield then you must also wear approved protective goggles. Approved protective goggles must comply with standard ANSI Z87.1 in the USA or EN 166 in EU countries. Visors must comply with standard EN 1731.
- Use heavy duty gloves.
- Use approved respiratory protection. The use of products such as cutters, grinders, drills, that sand or form material can generate dust and vapours which may contain hazardous chemicals. Check the nature of the material you intend to process and use appropriate breathing mask.
- Use tight-fitting, heavy-duty and comfortable clothing that permits full freedom of movement. Cutting generates sparks that can ignite clothing. HUSQVARNA recommends that you wear flame-retardant cotton or heavy denim. Do not wear clothing made of material such as nylon, polyester or rayon. If ignited such material can melt and cling to the skin. Do not wear shorts.
- Use boots with steel toe-cap and non-slip sole.
- Always keep a first aid kit near.



- Sparks can come from the muffler or the cutting blade. Always have a fire extinguishing available.

## Safety devices on the product

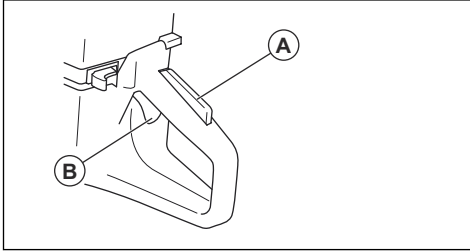


**WARNING:** Read the warning instructions that follow before you use the product.

- Never use a product that has faulty safety equipment! If your product fails any checks contact your service agent to get it repaired.
- Do not use the product if protective plates, protective covers, safety switches or other protective devices are not attached or are damaged.

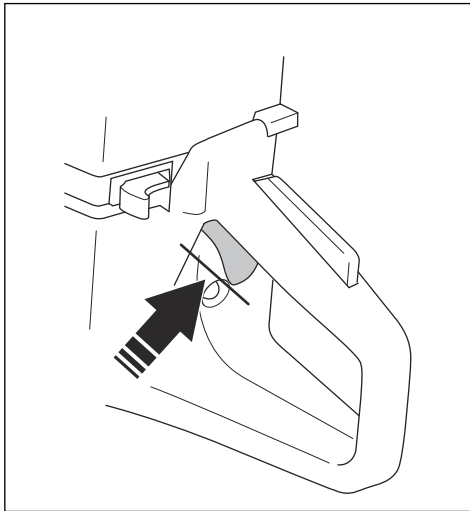
## Throttle trigger lockout

The throttle trigger lockout prevents accidental operation of the throttle trigger. If you put your hand around the handle and push the throttle trigger lockout (A), it releases the throttle trigger (B). If you release the handle, the throttle trigger and the throttle trigger lockout move back to their initial positions. This function locks the throttle trigger at idle speed.

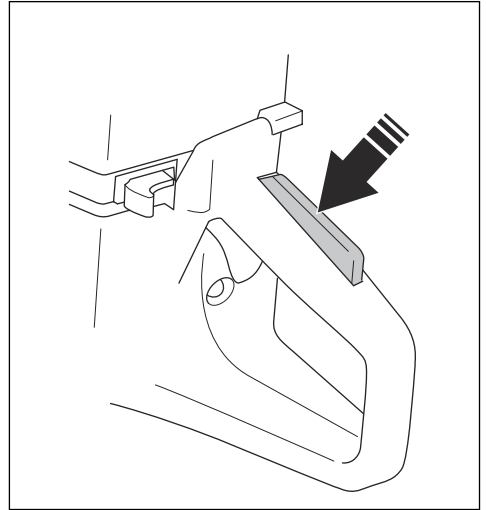


### To examine the throttle trigger lockout

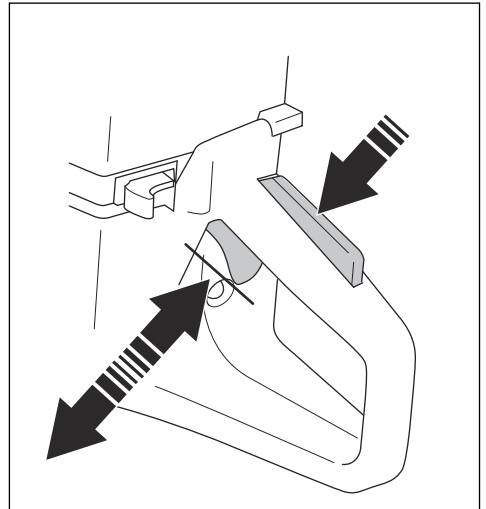
1. Make sure that the throttle trigger is locked at the idle position when the throttle lockout is released.



2. Push the throttle lockout and make sure it goes back when you release it.

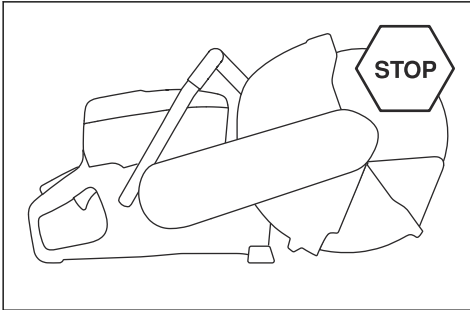


3. Make sure that the throttle trigger and throttle lockout move freely and that the return springs work correctly.



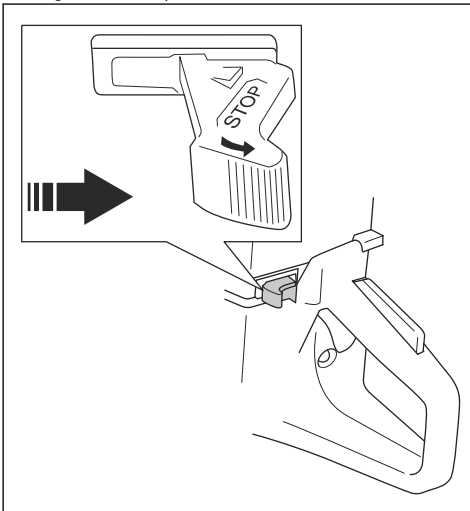
4. Start the product and apply full throttle.

5. Release the throttle control and make sure that the cutting blade stops and stays stationary. If the cutting blade rotates at idle position, you must adjust the idle speed. Refer to *To adjust the idle speed on page 25*.



**To examine the stop switch**

1. Start the engine.
2. Push the start/stop switch to the STOP position. The engine must stop.



**Blade guard, blade guard extender and dust shield**

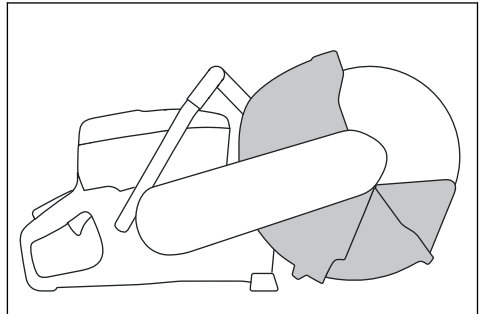


**WARNING:** Make sure that the blade guard, the blade guard extender and the dust shield are correctly attached before you start the product. Do not use the product if the blade guard, the blade guard extender or the dust shield are missing, cracked or defective.

- The blade guard, the blade guard extender and the dust shield keep dust away from the operator and prevent injury if the cutting blade breaks. The blade

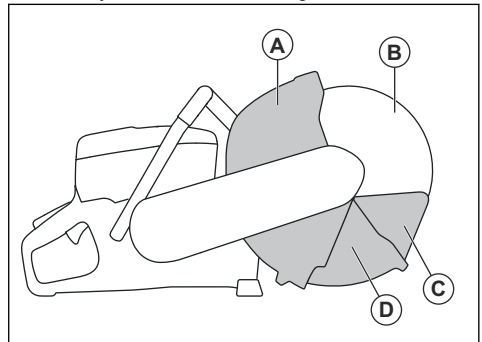
guard extender and the dust shield are spring loaded and must always move freely and must always return instantly by spring force.

- Do not use the product if the blade guard extender or the dust shield are clamped or tied into the retracted position.

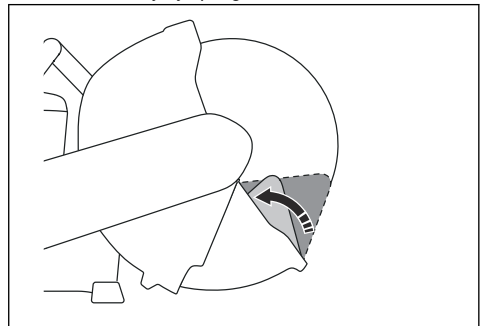


**To examine the cutting blade, the blade guard and the blade guard extender**

1. Make sure that the cutting blade (B) is attached correctly and that it is not damaged.

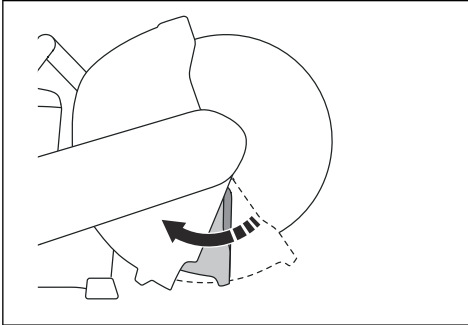


2. Make sure that the blade guard (A), the blade guard extender (D) and the dust shield (C) do not have cracks or other damage.
3. Make sure that the dust shield can be pushed in and return instantly by spring force.





4. Make sure that the blade guard can be pushed in and return instantly by spring force.



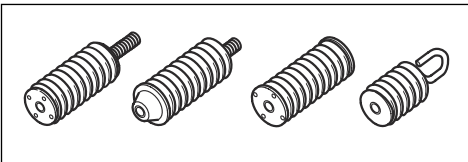
5. Replace the cutting blade and the blade guard if they are damaged. Replace the blade guard extender, the dust shield or their springs if they are defected and not returning instantly when pushed in.

### Vibration damping system



**WARNING:** Overexposure to vibration can lead to circulatory damage or nerve damage in people who have impaired circulation. Contact your doctor if you experience symptoms of overexposure to vibration. Such symptoms include numbness, loss of feeling, tingling, pricking, pain, loss of strength, changes in skin color or condition. These symptoms normally appear in the fingers, hands or wrists. These symptoms may be increased in cold temperatures.

Your product is equipped with a vibration damping system that is designed to minimize vibration and make operation easier. The product's vibration damping system reduces the transfer of vibration between the engine unit/cutting equipment and the product's handle unit.



Cutting granite or hard concrete creates more vibration than cutting soft concrete. Cutting with cutting equipment that is blunt or faulty (wrong type or badly sharpened) will increase the vibration level.

### To do a check of the vibration damping system



**WARNING:** Make sure that the engine is off and that the stop switch is in STOP position.

1. Make sure that there are no cracks or deformation on the vibration damping units. Replace the vibration damping units if they are damaged.
2. Make sure that the vibration damping units are correctly attached to the engine unit and handle unit.

### Muffler

The muffler keeps the noise levels to a minimum and sends the exhaust fumes away from the operator.

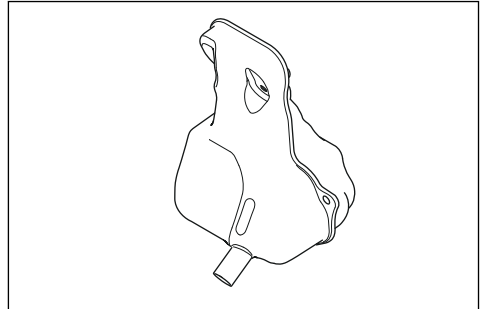
Do not use the product if the muffler is missing or damaged. A damaged muffler increases the noise level and the risk of fire.



**WARNING:** The muffler gets very hot during and after use. This also applies during idling. Be aware of the fire hazard, especially when working near flammable substances and/or vapours.

### To examine the muffler

1. Make sure that the muffler is not damaged.



2. Make sure that the muffler is correctly attached.

### Kickback



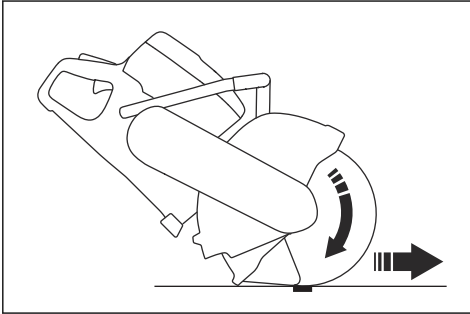
**WARNING:** Kickbacks are sudden and can be very violent. The power cutter can be thrown up and back towards the user in a rotating motion causing serious or even fatal injury. It is vital to understand what causes kickback and how to avoid it before using the product.

Kickback is the sudden upward motion that can occur if the blade is pinched or stalled in the kickback zone. Most kickbacks are small and pose little danger. However a kickback can also be very violent and throw

the power cutter up and back towards the user in a rotating motion causing serious or even fatal injury.

### Reactive force

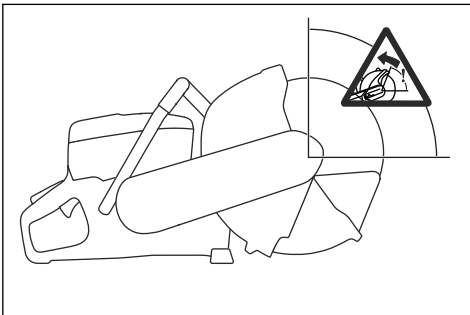
A reactive force is always present when cutting. The force pulls the product in the opposite direction to the blade rotation. Most of the time this force is insignificant. If the blade is pinched or stalled the reactive force will be strong and you might not be able to control the power cutter.



Never move the product when the cutting equipment is rotating. Gyroscopic forces can obstruct the intended movement

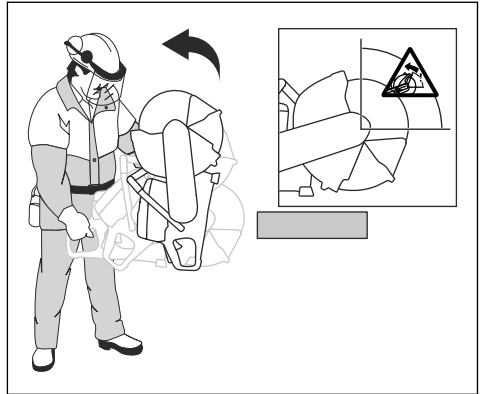
### Kickback zone

Never use the kickback zone of the blade for cutting. If the blade is pinched or stalled in the kickback zone, the reactive force will push the power cutter up and back towards the user in a rotating motion causing serious or even fatal injury.



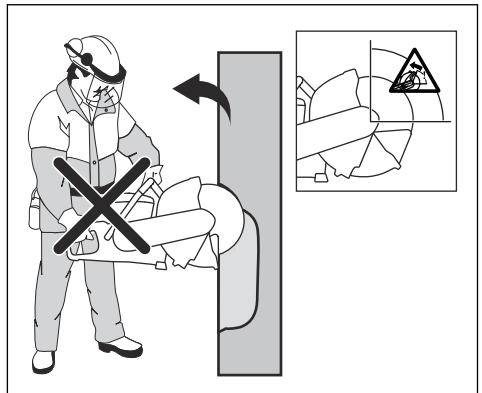
### Rotational kickback

A rotational kickback occurs when the cutting blade does not move freely in the kickback zone.



### Climbing kickback

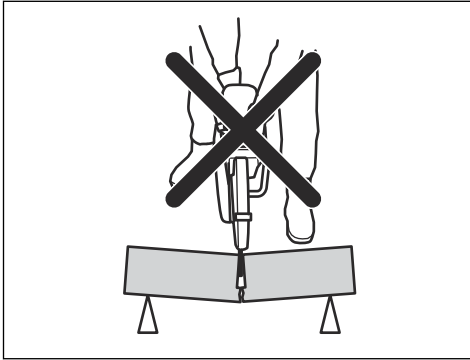
If the kickback zone is used for cutting the reactive force drives the blade to climb up in the cut. Do not use the kickback zone. Use the lower quadrant of the blade to avoid climbing kickback.



### Pinching kickback

Pinching is when the cut closes and pinches the blade. If the blade is pinched or stalled the reactive force will

be strong and you might not be able to control the power cutter.



If the blade is pinched or stalled in the kickback zone, the reactive force will push the power cutter up and back towards the user in a rotating motion causing serious or even fatal injury. Be alert for potential movement of the work piece. If the work piece is not properly supported and shifts as you cut, it might pinch the blade and cause a kick back.

### To cut in pipes

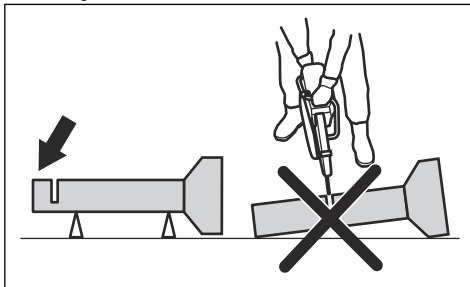


**WARNING:** If the blade is pinched in the kickback zone it will cause a severe kickback.

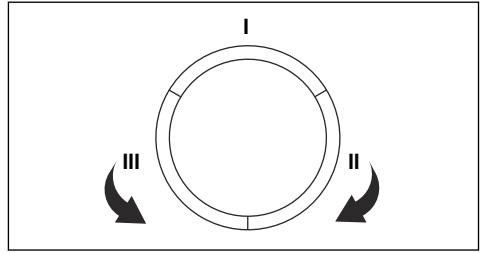
Special care should be taken when cutting in pipes. If the pipe is not properly supported and the cut kept open through out the cutting, the blade might be pinched. Be especially alert when cutting a pipe with a belled end or a pipe in a trench that, if not properly supported, may sag and pinch the blade.

If the pipe is allowed to sag and close the cut, the blade will be pinched in the kick back zone and a severe kick back might develop. If the pipe is properly supported the end of the pipe will move downward, the cut will open and no pinching will occur.

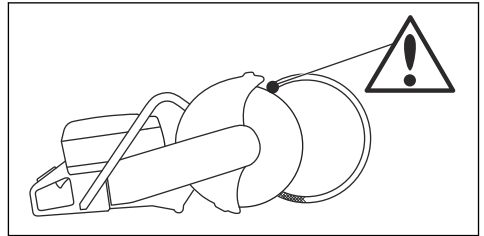
1. Secure the pipe so it does not move or roll during cutting.



2. Cut section "I" of the pipe.



3. Ensure that the cut opens to avoid pinching.



4. Move to side II and cut from section I to bottom of the pipe.
5. Move to side III and cut the remaining part of the pipe ending at the bottom.

### To prevent a kickback



**WARNING:** Avoid situations where there is a risk of kickback. Take care when using your power cutter and make sure that the blade is never pinched in the kickback zone.



**WARNING:** Be careful when you put the blade in an existing cut.

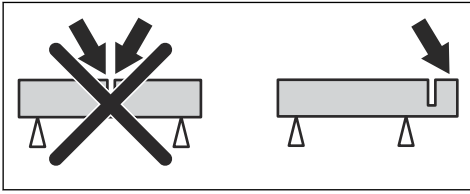


**WARNING:** Make sure that the work piece cannot move during a cutting operation.



**WARNING:** Only you and proper working technique can eliminate kickback and its dangers.

- Always support the work of piece so that the cut can keep open when cutting through. When the cut is open there is no kickback. If the cut is closed and pinches the blade, there is a risk of kickback.



After refuelling, there are some situations where you must never start the product:

- If you have spilled fuel on the product. Wipe off the spillage and allow remaining fuel to evaporate.
- If you have spilled fuel on yourself or on your clothes. Change your clothes and wash any part of your body that has come in contact with fuel. Use soap and water.
- If the product leaks fuel. Regularly do a check for leaks from the fuel cap and fuel lines.

## Safety instructions for maintenance

### Fuel safety



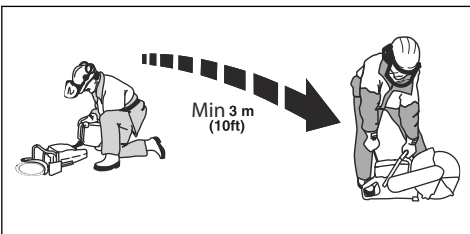
**WARNING:** Read the warning instructions that follow before you use the product.

- Make sure there is plenty of ventilation when refueling or mixing fuel (petrol and two-stroke oil).
- Take care when handling fuel. Fuel and fuel vapour are highly flammable. Be aware of the risks of fire, explosion and those associated with inhalation.
- Do not smoke and do not place any hot objects in the vicinity of fuel.
- Always stop the engine and let it cool for a few minutes before refuelling.
- When refuelling, open the fuel cap slowly so that any excess pressure is released gently.
- Tighten the fuel cap carefully after refuelling. If the cap is not properly tightened, the cap might vibrate loose and fuel may escape from the fuel tank creating a fire hazard.
- Never refuel the machine while the engine is running.
- Always move the product at least 3 m (10 ft) away from the refuelling area and source before starting.



**WARNING:** Read the warning instructions that follow before you use the product.

- Make sure that the engine is off and that the stop switch is in STOP position.
- Use personal protective equipment. Refer to *Personal protective equipment on page 6*.
- If the maintenance is not done correctly and regularly, the risk of injury and damage to the product increases.
- Only do the maintenance as given in this operator's manual. Let an approved service center do all other servicing.
- Let an approved HUSQVARNA service agent do servicing on the product regularly.
- Replace damaged, worn or broken parts.
- Always use original accessories.



## Assembly

### Introduction



**WARNING:** Read and understand the safety chapter before you assemble the product.

### Cutting blades



**WARNING:** In order to reduce the risk of injury or fire do not use bonded abrasive cutting blades. Use only recommended

diamond cutting blades in combination with provided flange.



**WARNING:** A cutting blade may burst and cause injury to the operator.



**WARNING:** The cutting blade manufacturer issues warnings and recommendations for the use and proper care of the cutting blade. Those warnings come with the cutting blade. Read and follow all instructions from the cutting blade manufacturer.



**WARNING:** A cutting blade should be checked before it is assembled on the saw and frequently during use. Look for cracks, lost segments (diamond blades) or pieces broken off. Do not use a damaged cutting blade.

HUSQVARNA cutting blades are high speed cutting blades approved for hand held power cutters.

- A cutting blade should be checked before it is assembled on the saw and frequently during use. Look for cracks, lost segments (diamond blades) or pieces broken off. Do not use a damaged cutting blade.
- Read and obey the instructions that come with the cutting blade.
- High-quality blades are often most economical.
- Lower quality blades often have inferior cutting capacity and a shorter service life, which results in a higher cost in relation to the quantity of material that is cut.
- Make sure that the right bushing is used for the cutting blade to be fitted on the product. Refer to *Checking the arbor bushing on page 14*.
- Test the integrity of each new cutting blade by running it at full throttle for about 1 minute.

### Correct cutting blades



**WARNING:** Read and follow the warning instructions that follow before you use the product.

- Never use a cutting blade for any other materials than what it was intended to cut.
- Use only a diamond blade made for dry cutting.
- Never use toothed blades such as wood cutting blades, circular toothed blades, carbide tipped blades, etc. The risk of kickback is significantly increased and tips can be torn off and thrown at high speed. Carelessness can result in serious personal injury or even death.

- Do not use a diamond blade with a lower speed rating than that of the power cutter. Use only diamond blades that are in compliance with national or regional standards, for example EN13236 or ANSI B7.1.
- The cutting blade must be approved for the same or higher speed rating than that of the product. The speed rating is specified on the blade guard.
- Many cutting blades that can be attached to this product are made for stationary saws. The speed rating of those cutting blades is too low for this product.
- Select a cutting blade which center hole dimension is correct with the bushing installed on the machine.

### Blade vibration

- The blade can become out-of-round and vibrate if an excessive feed pressure is used.
- A lower feed pressure can stop the vibration. Otherwise replace the blade.

### Diamond blades



**WARNING:** Never use a diamond blade to cut plastic material. The heat produced during cutting may melt the plastic and it can stick to the cutting blade and cause a kickback.



**WARNING:** Diamond blades become very hot when used. An overheated blade is a result of improper use, and may cause deformation of the blade, resulting in damage and injuries.



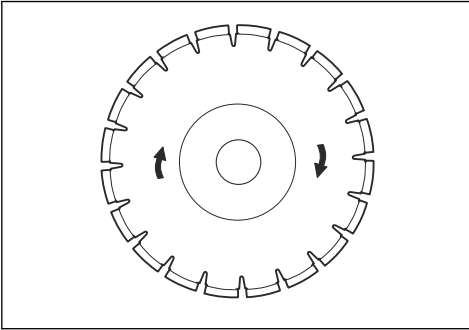
**WARNING:** Cutting metal may cause fire and damage to this product or the dust extractor.

**Note:** Diamond blades are available in several hardness classes.

**Note:** Sharpen the blade by cutting soft material such as sandstone or brick.

- Always use a sharp diamond blade.
- Diamond blades can become dull when the wrong feeding pressure is used or when cutting certain materials such as heavily reinforced concrete. Working with a dull diamond blade causes overheating, which can result in the diamond segments coming loose.
- Diamond blades consist of a steel core provided with segments that contain industrial diamonds.
- Diamond blades are ideal for masonry, reinforced concrete and other composite materials.

- Diamond blades ensure lower costs per cutting operation, fewer blade changes and a constant cutting depth.
- When using diamond blade make sure that it rotates in the direction indicated by the arrow on the blade.



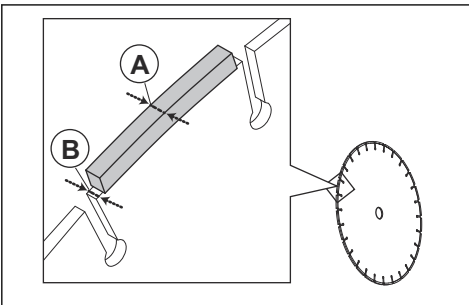
### Diamond blades for dry cutting

- During cutting the friction in the cut causes the diamond blade to be heated up. If the blade is allowed to get too hot this can result in loss of blade tensioning or core cracking.
- Although no water is required for cooling, dry cutting blades must be cooled with air flow around the blades. For this reason dry cutting blades are recommended only for intermittent cutting. Every few seconds of cutting the blade should be allowed to run "free" with no load to allow the air flow around the blade to dissipate the heat.

### Diamond blade - side clearance



**WARNING:** Certain cutting situations or poor blades can suffer excessive wear on the side of the segments. Make sure the diamond segment (A) is wider than the blade (B). This is to prevent pinching in the cutting slot and kickback. Refer to *Kickback* on page 9.



**CAUTION:** Some cutting situations and worn blades may cause increased wear on the side of the segments. Replace the blade before it is worn out.

### To examine the spindle shaft and the flange washers



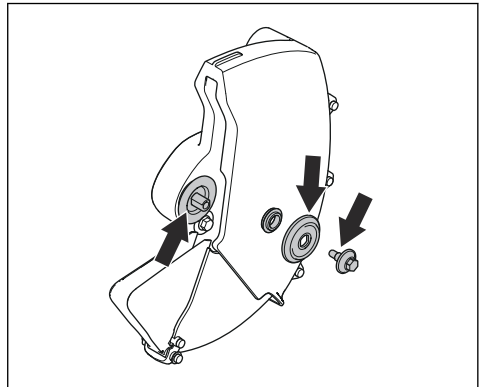
**CAUTION:** Use only HUSQVARNA flange washers with a minimum diameter of 60 mm (2.36 in.).



**WARNING:** Incorrect flange washers can cause the blade to be damaged or come loose. Do not use defective, worn or dirty flange washers. Use only flange washers of the same dimension.

Examine the spindle shaft and the flange washers when the cutting blade is replaced. Replace damaged parts.

1. Make sure that the threads on the spindle shaft are not damaged.

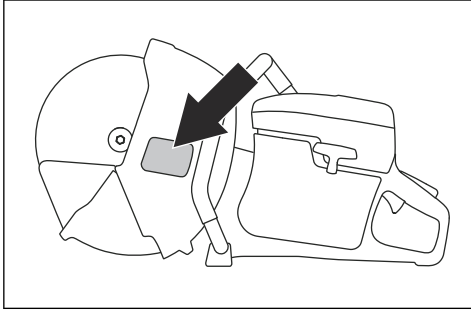


2. Make sure that the areas of contact on the cutting blade and the flange washers are not damaged.
3. Make sure that the flange washers are clean and of the correct dimension.
4. Make sure that the flange washers run correctly on the spindle shaft.

### Checking the arbor bushing

The arbor bushings are used to fit the machine to the centre hole of the cutting blade. The machine is supplied with either a bushing that can be flipped over to fit blades with either 20 mm or 1" (25,4mm) centre holes, or with a fixed 20 mm bushing.

- A decal on the blade guard indicates which bushing has been factory fitted together with appropriate blade specification.

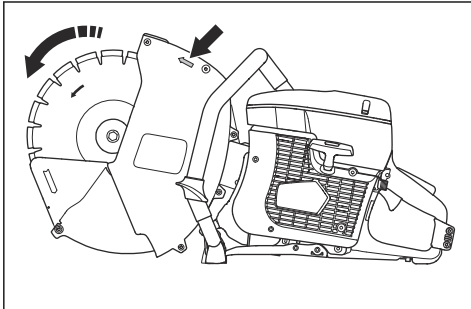


Use only HUSQVARNA arbor bushings.

- Make sure that the arbor bushing has the correct dimension for the cutting blade. The correct dimension is printed on the cutting blade.

### To examine the direction of the rotating cutting blade

1. Find the arrow on the blade guard that shows the direction in which the cutting blade rotates.
2. Find the arrow on the cutting blade that shows the direction in which the cutting blade rotates.



3. Make sure that the arrows on the blade guard and the cutting blade show the same direction.

### To attach the cutting blade



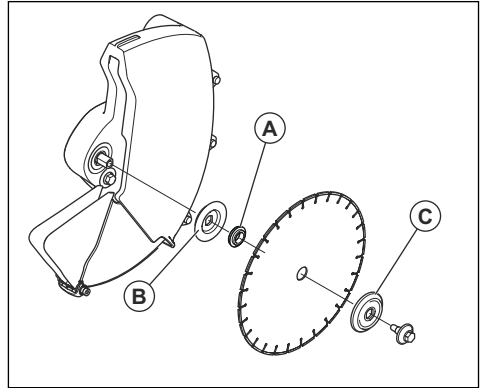
**WARNING:** Make sure that the engine is off and that the stop switch is in STOP position.



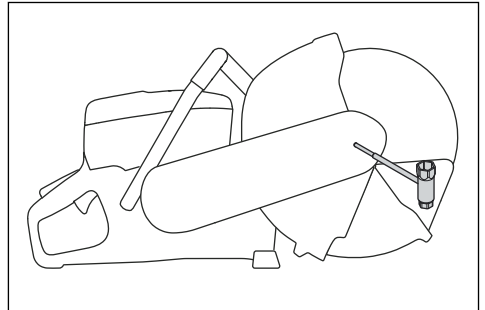
**WARNING:** Always use protective gloves when you assemble the product.

1. Examine the flange washers and the spindle shaft when the cutting blade is attached. Refer to *To examine the spindle shaft and the flange washers on page 14*.

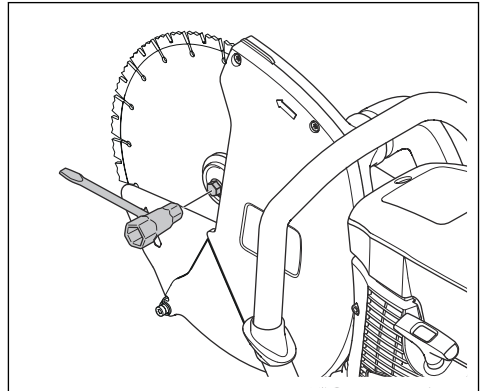
2. Put the cutting blade on the bushing (A) between the inner flange washer (B) and the flange washer (C).



3. Lock the pulley.



4. Tighten the bolt to 30 Nm (18.5 ft-lbs).



### To sharpen the cutting blade

**Note:** For the best cutting results, use a sharp cutting blade.

- To sharpen the cutting blade, cut into soft material, such as sandstone or brick.

---

# Operation

---

## Introduction

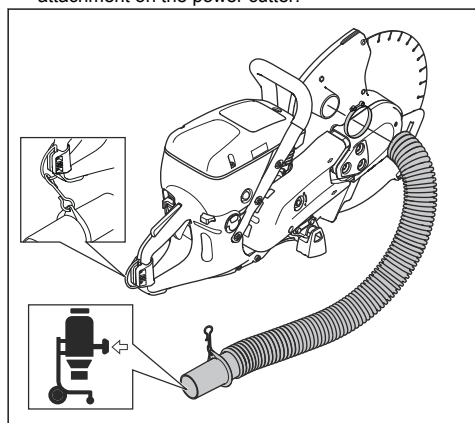


**WARNING:** Before you operate the product, carefully read and understand the safety chapter and the operation instructions.

## External dust extractor connection

Do not use the product without an external dust extractor. For appropriate dust extractor specification, refer to *Technical data on page 29*

1. Connect the dust extractor to the dust extractor attachment on the power cutter.



2. For specifics related to the dust extractor, refer to operator's manual of the dust extractor.

## Basic working techniques



**WARNING:** Do not pull the product to one side. This can prevent the free movement of the cutting blade. The cutting blade can break and cause injury to the operator or bystanders.



**WARNING:** Do not grind with the side of the cutting blade. The cutting blade can break and cause injury to the operator or bystanders. Only use the cutting edge.



**WARNING:** Make sure that the cutting blade is fitted correctly and does not show signs of damage.



**WARNING:** Make sure that the blade guard, the blade guard extender and the dust shield are correctly attached before you start the product. The blade guard extender and the dust shield must always move freely. Do not use the product if the blade guard, blade guard extender or dust shield are missing or defective.

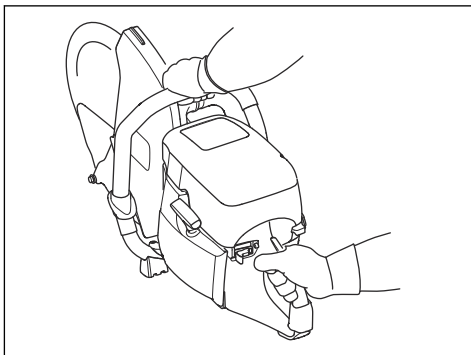


**WARNING:** Before entering an existing slot made by another blade, check that the slot is not thinner than your blade as that may result in binding in the cutting slot and a kickback.



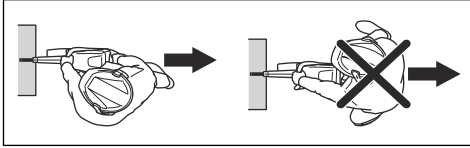
**WARNING:** A diamond blade becomes very hot during dry cutting. The blade need to be cooled regularly to avoid overheating. During overheating there is a risk of core cracking and blade bursting, or loss of tensioning and wobbling with risk of kickback. To cool the blade by air, allow it to run free at no load.

- Do not cut with the kickback zone of the cutting blade. Refer to *Kickback zone on page 10*.
- Check that the correct cutting blade is used for the application in question. Refer to instructions *Correct cutting blades on page 13*.
- Maintain a safe distance from the cutting blade when the engine is running. Do not try to stop a rotating blade with any part of your body.
- Hold the saw with both hands; keep a firm grip with thumbs and fingers encircling the handles. The right hand should be on the rear handle and the left hand on the front handle. All operators, whether right or left handed shall use this grip. Never operate a power cutter holding it with only one hand.

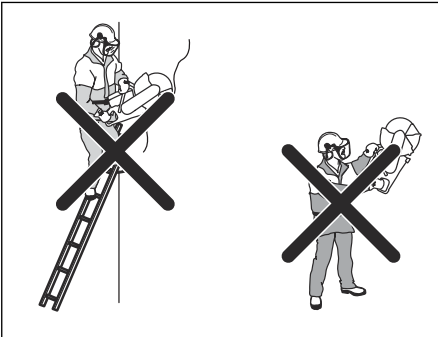




- Stand parallel to the cutting blade. Avoid standing straight behind. In the event of a kickback the saw will move in the plane of the cutting blade.

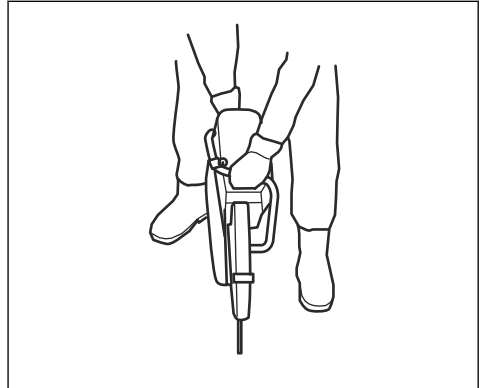


- Never move the product when the cutting equipment is rotating. Make sure that the blade has come to complete stop before the product is put on the ground.
- Never leave the machine unsupervised with the motor running.
- Keep a good balance and a firm foothold.
- Before entering an existing slot made by another blade, check that the slot is not thinner than your blade as that may result in binding in the cutting slot and a kickback.
- Never cut above shoulder height.
- Never cut from a ladder. Use a platform or scaffold if the cut is above shoulder height. Do not overreach.

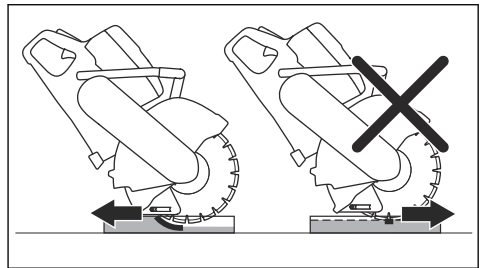


- Stand at a comfortable distance from the work piece.
- Make sure that the cutting blade can move freely and are not in contact with anything when the engine is started.
- Always monitor the product when the engine operates.
- If the blade is binding in the cut or when aborting a cut, release the throttle and wait until the blade stops. Do not extract the blade from the cut while the blade is in motion otherwise kickback may occur.
- Apply the cutting blade gently with high rotating speed (full throttle). Maintain full speed until cutting is complete.
- Let the machine work without forcing or pressing the blade. If the blade starts to wobble, reduce the feed. If the blade still wobble, stop cutting and replace the blade.
- Feed down the machine in line with the blade. Do not twist in the cut as side pressure can cause

binding in the cutting slot and cause blade damage or kickback.



- During all cutting operations, make sure that the blade guard extender and the dust shield are flush with the work piece.



Push the cutting blade to the full cutting depth at the top/ front of the cut and move the cutting blade slowly down/rear. This decreases the temperature of the cutting blade and helps to collect the dust.

## Fuel

This product has a two-stroke engine.



**CAUTION:** Incorrect type of fuel can result in engine damage. Use a mixture of gasoline and two-stroke oil.

## Two-stroke oil

- For best results and performance use HUSQVARNA two-stroke oil.
- If HUSQVARNA two-stroke oil is not available, use a two-stroke oil of good quality for air-cooled engines. Speak to your servicing dealer to select the correct oil.



**CAUTION:** Do not use two-stroke oil for water-cooled outboard engines, also referred to as outboard oil. Do not use oil for four-stroke engines.

## Premixed fuel

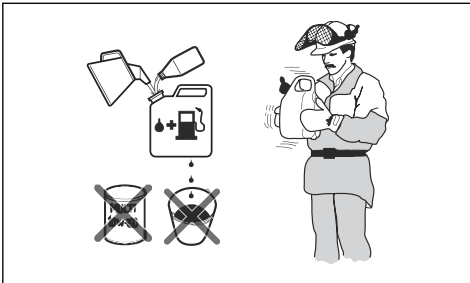
- Use HUSQVARNA premixed alkylate fuel for best performance and extension of the engine life. This fuel contains less harmful chemicals compared to regular fuel, which decreases harmful exhaust fumes. The quantity of remains after combustion is lower with this fuel, which keeps the components of the engine more clean.

## To mix gasoline and two-stroke oil

Gasoline, liter	Two-stroke oil, liter
	<b>2% (50:1)</b>
5	0.10
10	0.20
15	0.30
20	0.40
US gallon	US fl. oz.
1	2 ½
2 1/2	6 ½
5	12 ¾



**CAUTION:** Small errors can influence the ratio of the mixture drastically when you mix small quantities of fuel. Measure the quantity of oil carefully and make sure that you get the correct mixture.



- Fill half the quantity of gasoline in a clean container for fuel.
- Add the full quantity of oil.
- Shake the fuel mixture.
- Add the remaining quantity of gasoline to the container.
- Carefully shake the fuel mixture.



**CAUTION:** Do not mix fuel for more than 1 month at a time.

## To fill fuel



**CAUTION:** Do not use gasoline with an octane number less than 90 RON (87 AKI). It causes damage to the product.



**CAUTION:** Do not use gasoline with more than 10% ethanol concentration (E10). It causes damage to the product.

**Note:** Carburetor adjustment is in some conditions necessary when you change the type of fuel.

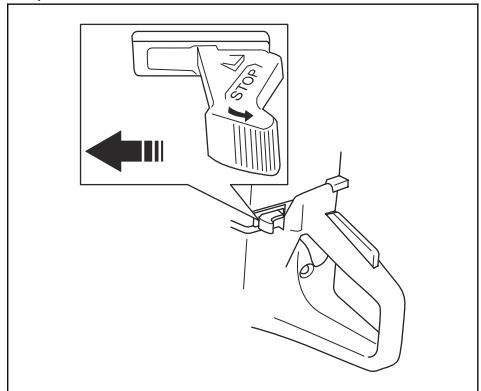
- Use gasoline with a higher octane number if you frequently use the product at continuously high engine speed.
- Open the fuel tank cap slowly to release the pressure.
  - Fill slowly with a fuel can. If you spill fuel, remove it with a cloth and let the remaining fuel dry off.
  - Clean the area around the fuel tank cap.
  - Tighten the fuel tank cap fully. If the fuel tank cap is not tightened, there is a risk of fire.
  - Move the product a minimum of 3 m (10 ft) from the position where you filled the tank before a start.

## To start the product with a cold engine

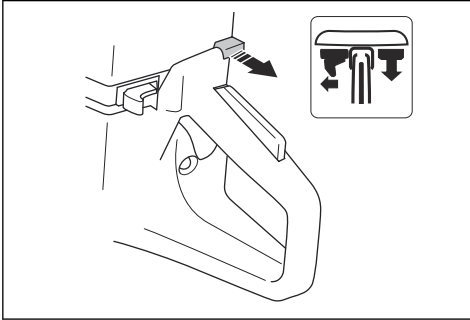


**WARNING:** Make sure that the cutting blade can rotate freely. It starts to rotate when the engine starts.

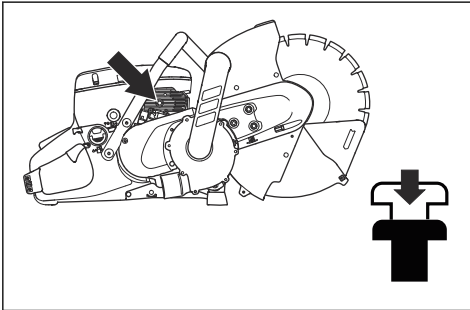
- Make sure that the STOP switch is in the left position.



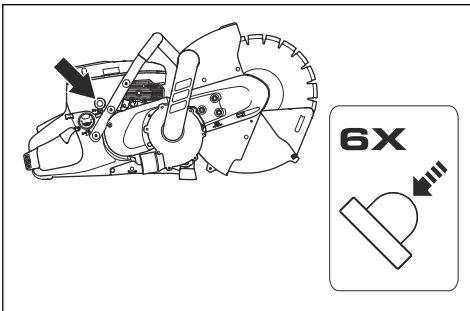
- Pull the choke control fully and get the start throttle position.



- Push the decompression valve to decrease the pressure in the cylinder. The decompression valve goes back to its initial position when the product starts.

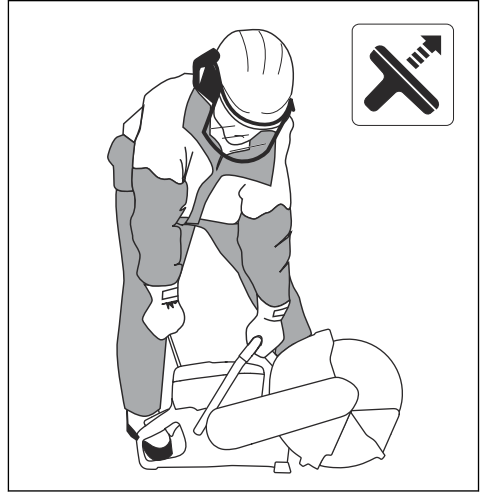


- Push the air purge bulb 6 times until it is fully filled with fuel.



- Hold the front handle with your left hand.

- Put your right foot on the lower section of the rear handle to push the product against the ground.



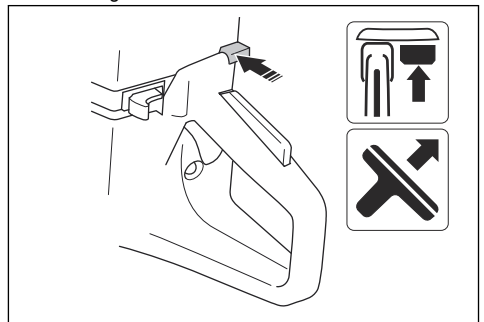
**WARNING:** Do not wind the starter rope around your hand.

- Pull the starter rope slowly with your right hand until you feel a resistance as the starter pawls engage. Then pull continuously and quickly.



**CAUTION:** Do not pull the starter rope fully and do not let go of the starter rope handle when the starter rope is extended. This can cause damage to the product.

- Push the choke control when the engine starts. If the choke is pulled out, the engine will stop after some seconds. If the engine stops, pull the starter rope handle again.



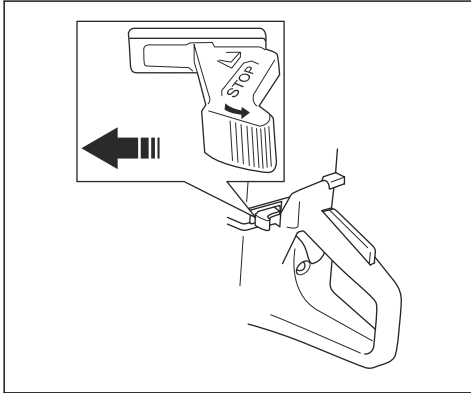
- Push the throttle trigger to disengage the start throttle and set the product at idle speed.

## To start the product with a warm engine

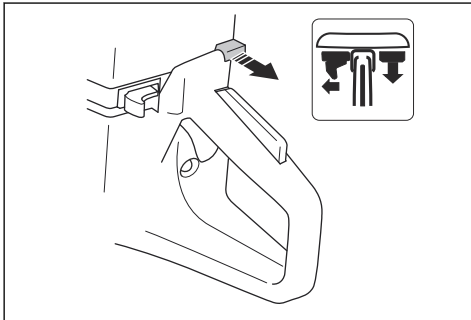


**WARNING:** Make sure that the cutting blade can rotate freely. It starts to rotate when the engine starts.

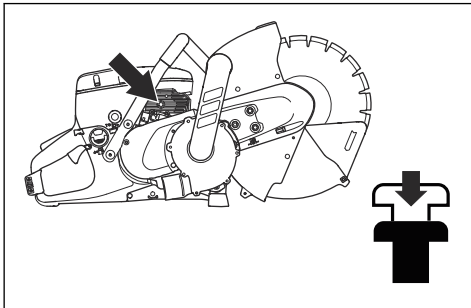
1. Make sure that the STOP switch is in the left position.



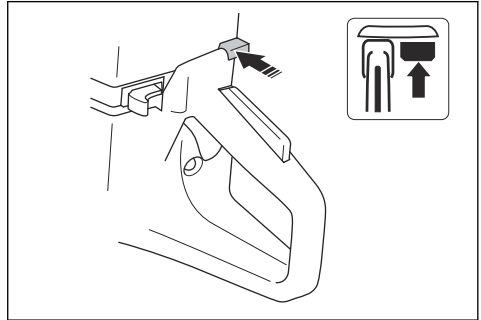
2. Pull the choke control fully and get the start throttle position.



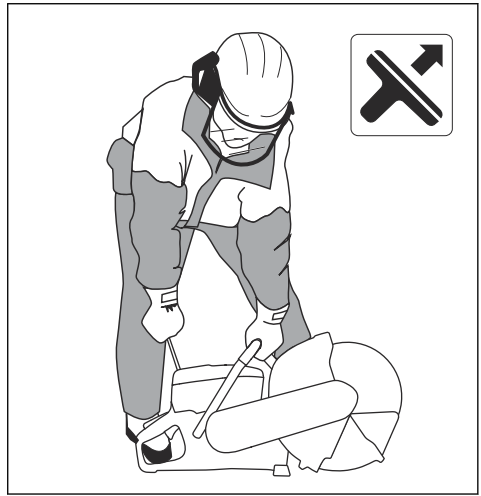
3. Push the decompression valve to decrease the pressure in the cylinder. The decompression valve goes back to its initial position when the product starts.



4. Push the choke control to disable the choke. The start throttle stays in position.



5. Hold the front handle with your left hand.
6. Put your right foot on the lower section of the rear handle to push the product against the ground.



**WARNING:** Do not wind the starter rope around your hand.

7. Pull the starter rope slowly until you feel a resistance as the starter pawls engage. Then pull continuously and quickly.



**CAUTION:** Do not pull the starter rope fully and do not let go of the starter rope handle when the starter rope is extended. This can cause damage to the product.

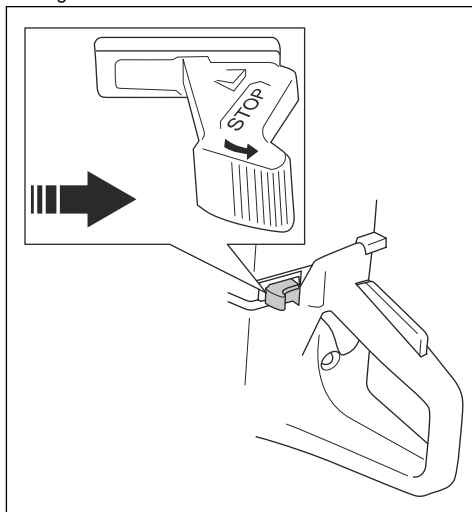
8. Push the throttle trigger to disengage the start throttle and set the product at idle speed.

## To stop the product



**WARNING:** The cutting blade continues to rotate up to a minute after the motor stops (known as blade coasting). Make sure that the cutting blade can rotate freely until it completely stops. Carelessness can cause serious personal injury.

- Move the STOP switch to the right to stop the engine.



## Maintenance

### Maintenance schedule

The maintenance schedule shows the necessary maintenance of the product. The intervals are calculated on daily use of the product.

	Daily	Weekly	Monthly	Yearly
<b>Clean</b>	External cleaning		Spark plug	
	Cold air intake		Fuel tank	
<b>Replace</b>				Fuel filter
<b>Function inspection</b>	General inspection	Vibration damping system*	Fuel system	
	Throttle lockout*	Muffler*	Air filter	
	Stop switch*	Drive belt	Clutch	
	Blade guard, blade guard extender and dust shield*	Carburetor		
	Cutting blade*	Starter housing		
* Refer to <i>Safety devices on the product on page 6.</i>				

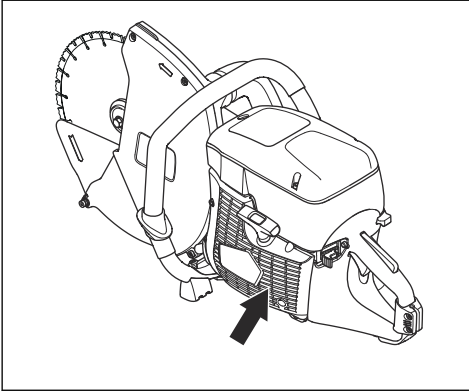
### To clean externally

- Flush the product externally with clean water after each day of operation. If it is necessary, use a brush.

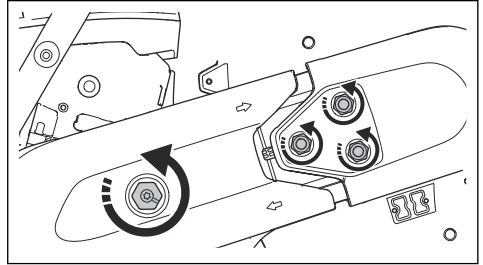
### To clean the cold air intake

**Note:** A dirty or blocked air intake makes the product too hot. This can cause damage to the piston and cylinder.

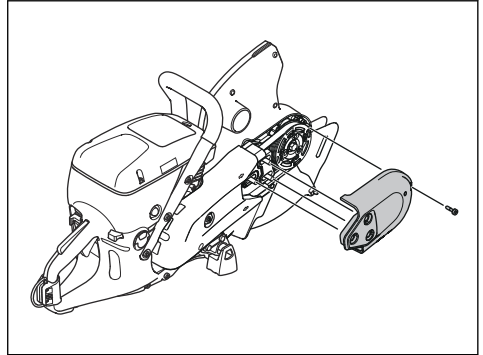
- Clean the cold air intake if it is necessary.



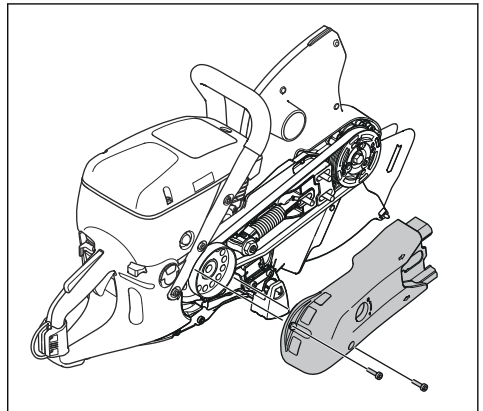
1. Loosen the 3 nuts on the cutting head. Loosen the belt tension with the adjuster screw.



2. Remove the screw and the nuts. Remove the front belt guard.



3. Remove the 2 screws on the rear belt guard. Remove the belt guard.



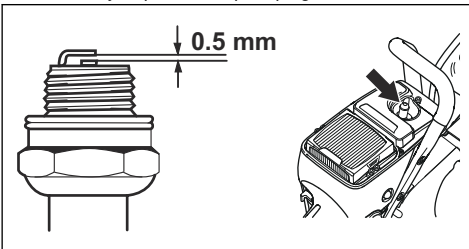
4. Remove the drive belt.

## To examine the spark plug

**Note:** Always use the recommended spark plug type. Use of the incorrect spark plug can cause damage to the piston and cylinder. For recommended spark plug refer to *Technical data on page 29*.

Oil particles on the spark plug can occur if an incorrect fuel mixture or too much oil is used. A dirty air filter can also cause oil particles on the spark plug. Small particles on the spark plug electrodes can cause problems to start and operate the product. Always examine the spark plug if the product is low on power, if it does not start easily or if it runs unsatisfactorily at idle speed.

1. Make sure that the spark plug cap and ignition are not damaged to prevent the risk of electrical shock .
2. Clean the spark plug if it is dirty.
3. Do a check that the electrode gap is 0.5 mm. If it is necessary, replace the spark plug.



## To do a general inspection

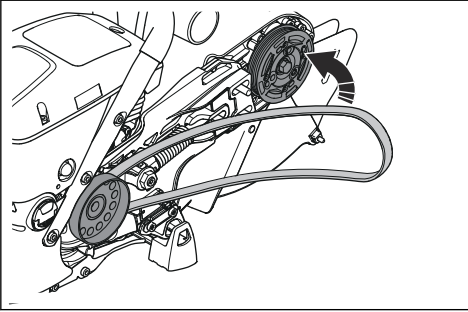
- Make sure that all nuts and screws on the product are tightened correctly.

## To replace the drive belt

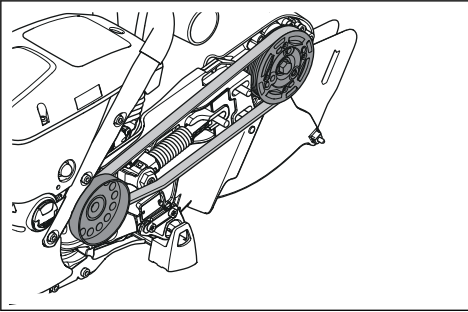


**WARNING:** Do not start the product without all guards and covers installed.

5. Install the new drive belt.



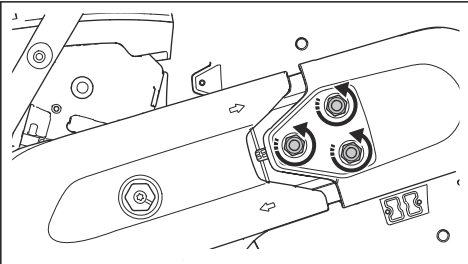
6. Make sure that the drive belt is put in correct position.



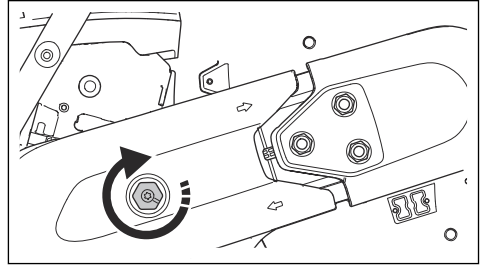
7. Install the 2 belt guards.
8. Adjust the tension on the drive belt. See *To adjust the tension of the drive belt on page 23.*

## To adjust the tension of the drive belt

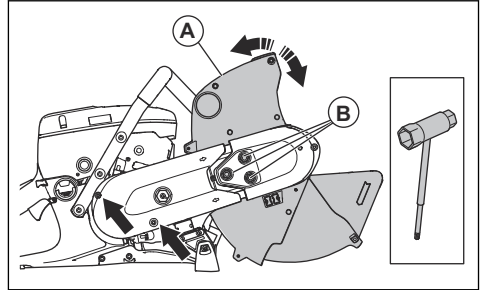
1. Loosen the 3 nuts.



2. Turn the adjuster screw clockwise to increase the tension of the drive belt.



3. Jiggle the blade guard (A) up and down 3–5 times. Tighten the nuts (B).



## Starter housing



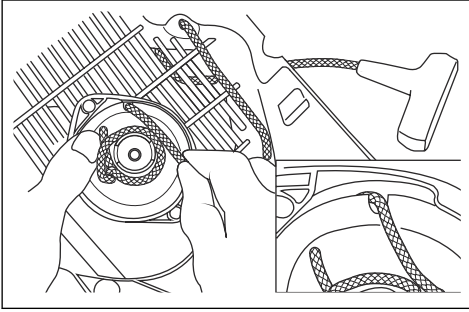
**WARNING:** Always be careful and always use eye protection when you replace the recoil spring or the starter rope. There is tension in the recoil spring when it is wound in the starter housing. The recoil spring can eject and cause injury.

## To remove the starter housing

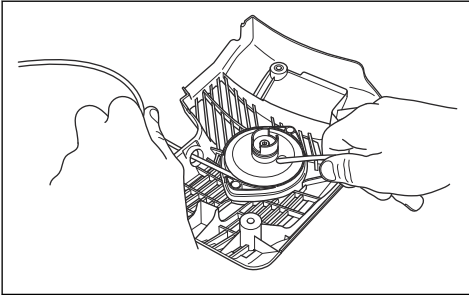
1. Loosen the 4 screws on the starter housing.
2. Remove the starter housing.

## To replace a damaged starter rope

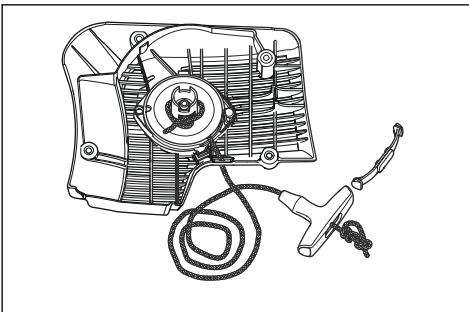
1. Hold the starter rope pulley with your thumb. Pull the starter rope approximately 30 cm and put it in the cut-out of the starter pulley.



2. Let the rope pulley rotate slowly in the opposite direction to release the spring tension.
3. Remove the remaining starter rope.
4. Do a check that the recoil spring operates correctly.
5. Put the new starter rope through the hole in the starter housing and in the rope pulley.

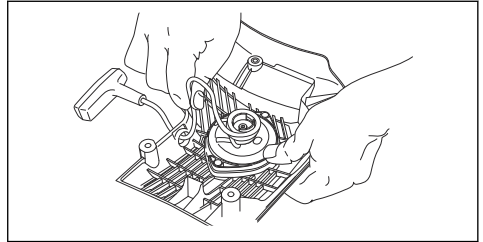


6. Attach the starter rope to the rope pulley.
7. Tighten the connection fully. Make sure that the free end of the starter rope is as short as possible.
8. Attach the end of the starter rope in the starter handle as shown in the illustration.

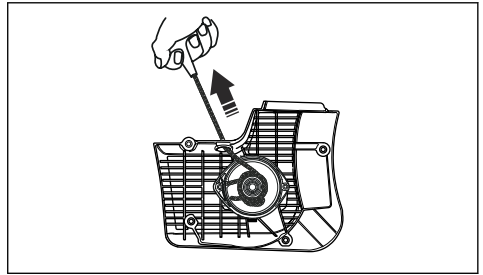


## To adjust the tension of the recoil spring

1. Put the rope through the cut-out in the starter pulley. Wind the rope 3 turns clockwise around the center of the starter pulley.



2. Pull the starter knob to adjust the tension of the recoil spring.
3. Put the rope through the cut-out in the starter pulley. Wind the rope 4 turns clockwise around the center of the starter pulley.
4. Pull the starter knob to adjust the tension of the recoil spring.



**Note:** The starter knob moves into position after the tension is adjusted.

5. Pull out the starter rope fully and make sure that the recoil spring is not at its end position. Make the starter pulley turn slow with your thumb.
6. Make sure that the starter pulley can be turned half a turn or more before the recoil spring stops the movements.

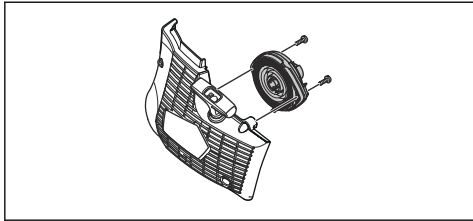
## To remove the spring assembly



**WARNING:** Always use eye protection when you remove the spring assembly. There is a risk for eye injury, especially if a spring is broken.



1. Remove the 2 screws on the spring assembly.



2. Push the 2 brackets on the snap locks with a screwdriver.

## To clean the spring assembly



**CAUTION:** Do not remove the spring from the assembly.

1. Blow the spring with compressed air until it is clean.
2. Apply a light oil to the spring.

## To attach the spring assembly

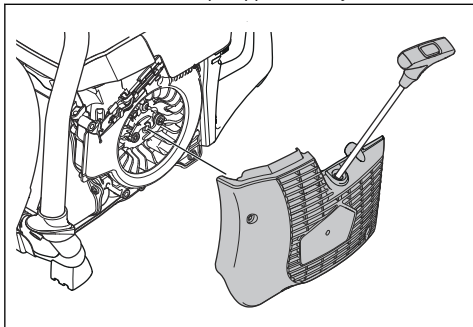
- Assemble in the opposite sequence of *To remove the spring assembly on page 24*.

## To install the starter housing



**CAUTION:** The starter pawls must come into the correct position against the starter pulley sleeve.

1. Pull out the starter rope approximately 0.5 m.



2. Keep the position of the starter rope and put the starter against the product.
3. Slowly release the starter rope until the starter pawls are in the correct position.
4. Tighten the 4 screws on the starter.

## To examine the carburetor

**Note:** The carburetor has rigid needles to make sure that the product always receives the correct mixture of fuel and air.

1. Examine the air filter. Refer to *To examine the air filter on page 26*
2. If it is necessary, replace the air filter.
3. If the engine continues to decrease in power or speed, speak to your HUSQVARNA servicing dealer.

## To examine the fuel system

1. Make sure that the fuel tank cap and its seal are not damaged.
2. Examine the fuel hose. Replace the fuel hose if it is damaged.

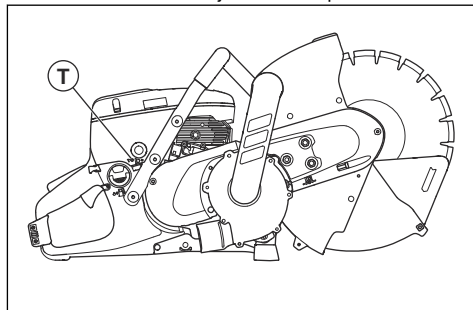
## To adjust the idle speed



**WARNING:** If the cutting blade rotates at idle speed, speak to your servicing dealer. Do not use the product until the idle speed is correctly adjusted or repaired.

**Note:** Recommended idle speed is 2700 rpm.

1. Start the engine.
2. Examine the idle speed. When the carburetor is correctly adjusted, the cutting blade stops when the engine is at idle speed.
3. Use the T screw to adjust the idle speed.



- a) Turn the screw clockwise until the cutting blade starts to rotate.
- b) Turn the screw counterclockwise until the cutting blade stops to rotate.

## Fuel filter

The fuel filter is installed in the fuel tank. The fuel filter prevents contamination of the fuel tank when the fuel tank is filled. The fuel filter must be replaced yearly or more frequently if it is clogged.



**CAUTION:** Do not clean the fuel filter.



**CAUTION:** Unhealthy dust can be spread out during filter change. Wear approved respiratory protection. Dispose filters correctly.

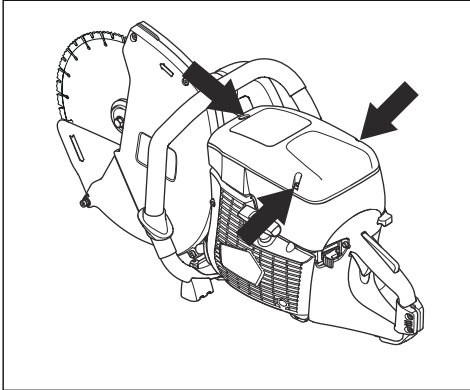
## To examine the air filter



**CAUTION:** Be careful when you remove the air filter. Particles that fall into the carburetor inlet can cause damage.

Examine the air filter if the engine power decreases.

1. Loosen the 3 screws on the air filter cover.



2. Remove the air filter cover.
3. Examine the air filter. If it is necessary, replace the air filter. Refer to *To replace the air filter on page 26*.
4. Replace the air filter cover.
5. Tighten the 3 screws.

## To replace the air filter

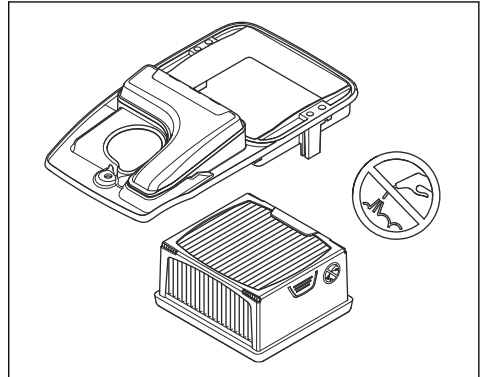


**CAUTION:** Do not clean the air filter with compressed air. The air filter is made of paper and is easily damaged.

**Note:** Replace the service filter only when it is damaged.

**Note:** The air filter must not be cleaned or blown clean with compressed air. This will damage the filter.

1. Loosen the 3 screws on the air filter cover.
2. Remove the air filter cover.



3. Loosen the 2 screws on the air filter pulley and remove it.
4. Remove the air filter.
5. Install the new air filter.
6. Replace the air filter pulley.
7. Tighten the 2 screws.
8. Replace the air filter cover.
9. Tighten the 3 screws.

## Troubleshooting

### Troubleshooting schedule



**WARNING:** Make sure that the engine is off and the stop switch is in the

STOP position before maintenance and troubleshooting, unless the instructions tell you differently.

<b>Problem</b>	<b>Cause</b>	<b>Possible solutions</b>
The product does not start.	The start procedure is done incorrectly.	Refer to <i>To start the product with a cold engine on page 18</i> and <i>To start the product with a warm engine on page 20</i> .
	The stop switch is in the right (STOP) position.	Make sure that the stop switch (STOP) is in the left position.
	There is no fuel in the fuel tank.	Fill with fuel.
	The spark plug is defective.	Replace the spark plug.
	The clutch is defective.	Speak to your service agent.
The cutting blade rotates at idle speed.	The idle speed is too high.	Adjust the idle speed.
	The clutch is defective.	Speak to your service agent.
The cutting blade does not rotate when the operator throttles up.	The belt is too loose or defective.	Tighten the belt or replace the belt with a new one.
	The clutch is defective.	Speak to your service agent.
	The cutting blade is installed incorrectly.	Make sure that the cutting blade is correctly installed.
The product has no power when the operator tries to throttle up.	The air filter is clogged.	Examine the air filter. If it is necessary, replace it.
	The fuel filter is clogged.	Replace the fuel filter.
	The fuel tank flow is blocked.	Speak to your service agent.
The vibration levels are too high.	The cutting blade is installed incorrectly.	Make sure that the cutting blade is correctly installed and that it is not damaged. Refer to <i>Correct cutting blades on page 13</i> .
	The cutting blade is defective.	Replace the cutting blade and make sure that it is not damaged.
	A vibration damping unit is defective.	Speak to your service agent.
The temperature of the product is too high.	The air intake or the flanges that decrease the temperature is blocked.	Clean the air intake and the flanges that decrease the temperature.
	The belt moves.	Examine the belt. Adjust the tension.
	The clutch is defective.	Always cut at full throttle. Examine the clutch. Speak to your service agent.
The engine decreases in power or in speed.	The air filter is clogged.	Examine the carburetor. Refer to <i>To examine the carburetor on page 25</i>
The dust is not collected properly during cutting.	Improper cutting technique.	Refer to <i>Basic working techniques on page 16</i> .
	The attached dust extractor is not extracting dust.	Refer to Operator's manual of the dust extractor.

Problem	Cause	Possible solutions
The blade guard extender and the dust shield do not move freely.	The moving parts of the blade guard extender and the dust shield are clogged.	Clean the moving parts.
The blade guard extender and the dust shield do not move back when the product is removed from the work piece.	The springs of the blade guard extender and the dust extractor do not operate correctly.	Do a check of the springs. Clean the springs.

---

## Transportation, storage and disposal

---

### Transportation and storage

- Safely attach the product during transportation to prevent damage and accidents.
- Remove the cutting blade before transportation or storage of the product.
- Keep the product in a locked area to prevent access for children or persons that are not approved.
- Keep the cutting blades in dry, frost free conditions.
- Examine all new and used blades for transport and storage damage before assembly.
- Clean and maintain the product before storage. Refer to *Maintenance schedule on page 21*.
- Remove the fuel from the fuel tank before long-term storage.

### Disposal

- Obey the local recycling requirements and applicable regulations.
- Discard all chemicals, such as engine oil or fuel, at a service center or at an applicable disposal location.
- When the product is no longer in use, send it to a HUSQVARNA dealer or discard it at a recycling location.



## Technical data

### Technical data

<b>K 770 VAC</b>	
Cylinder displacement, cm <sup>3</sup> (cu in.)	74 (4.5)
Cylinder bore, mm (in.)	51 (2)
Stroke, mm (in.)	36 (1.4)
Idle speed, rpm	2700
Wide open throttle, no load, rpm	9300 (+/- 150)
Power, kW (hp) @ rpm	3.7 (5.0) @ 9000
Spark plug	NGK BPMR 7A
Electrode gap, mm (in.)	0.5 (0.02)
Fuel tank capacity, l (US fl oz)	0.9 (30)
Machine weight without fuel and cutting blade, kg (lb)	11 (24.3)
<b>Spindle, output shaft</b>	
Max. spindle speed, rpm	2600
Max. peripheral speed, m/s (ft/min)	50 (10 000)
<b>Noise emissions <sup>1</sup></b>	
Sound power level, measured dB (A)	112
Sound power level, guaranteed L <sub>WA</sub> dB (A)	115
<b>Sound levels <sup>2</sup></b>	
Equivalent sound pressure level at the ear of the operator, dB (A)	98
<b>Equivalent vibration levels, a<sub>hveq</sub> <sup>3</sup></b>	
Front handle, m/s <sup>2</sup>	4.0
Rear handle, m/s <sup>2</sup>	2.8
<b>Exhaust emissions (CO<sub>2</sub> EU V) <sup>4</sup></b>	

<sup>1</sup> Noise emissions in the environment are measured as sound power (L<sub>WA</sub>) in conformity with directive 2000/14/EC. The difference between guaranteed and measured sound power is that the guaranteed sound power includes dispersion in the measured result and variations between different units of the same product according to directive 2000/14/EC.

<sup>2</sup> Equivalent sound pressure level, according to EN ISO 19432-1, is calculated as the time-weighted energy total for different sound pressure levels in different work conditions. Recorded data for equivalent sound pressure level of the product has a standard deviation of 1 dB (A).

<sup>3</sup> Equivalent vibration level, according to EN ISO 19432-1, is calculated as the time-weighted energy total for vibration levels in different work conditions. Recorded data for equivalent vibration level has a standard deviation of 1m/s<sup>2</sup>.

<sup>4</sup> This CO<sub>2</sub> measurement results from testing over a fixed test cycle under laboratory conditions a(n)(parent) engine representative of the engine type (engine family) and shall not imply or express any guarantee of the performance of a particular engine.

<b>K 770 VAC</b>	
2-stroke engine	711 g/kWh

<b>Recommended dust extractor <sup>5</sup></b>	
Min. Air flow, m <sup>3</sup> /h (CFM)	400 (236)
Min. Vacuum, kPa (psi)	22 (3.6)
Min. Water lift, m (in.)	2.3 (90)
Dust extractor attachment, mm (in.)	50 (2)

### Recommended diamond cutting blade, specification

Cutting blade diameter, mm (in.)	Max. cutting depth, mm (in.)	Blade speed rated value, rpm	Max. peripheral speed, m/s (ft/min)	Blade center hole diameter, mm (in.)	Max. blade thickness, mm (in.)
300 (12)	122 (4.8)	6200	100 (19600)	25.4 (1) or 20 (0.79)	4 (0.16)

<sup>5</sup> Technical data for dust extractors are not conclusively describing actual performance over time between different dust extractors. For HUSQVARNA products OSHA objective data are available at [www.husqvarnacp.com/us](http://www.husqvarnacp.com/us)

---

# Declaration of Conformity

---

## EU Declaration of Conformity

We, **Husqvarna AB**, SE-561 82 Huskvarna, Sweden, tel: +46-36-146500, declare on our sole responsibility that the product:

<b>Description</b>	<b>Portable cut-off machine</b>
<b>Brand</b>	HUSQVARNA
<b>Type/Model</b>	K 770 VAC
<b>Identification</b>	Serial numbers dating from 2022 and onwards

complies fully with the following EU directives and regulations:

<b>Directive/Regulation</b>	<b>Description</b>
2006/42/EC	"relating to machinery"
2000/14/EC	"relating to outdoor noise"
2014/30/EU	"relating to electromagnetic compatibility"
2011/65/EU	"relating to restrictions of hazardous substances"

and that the following harmonized standards and/or technical specifications are applied;

EN ISO 12100:2010, EN ISO 19432-1:2020, EN 55012:2008+A1:2009, EN ISO 14982:2009, EN IEC 63000:2018

Conformity assessment procedure according to 2000/14/EC: Annex V. For information relating to noise emissions, refer to *Technical data on page 29*.

SMP Svensk Maskinprovning AB has performed a voluntary examination according to annex V of the councils directive 2000/14/EC.

Partille, 2022-04-20



Erik Silfverberg  
R&D Director, Concrete Sawing & Drilling Equipment  
Husqvarna AB, Construction Division  
Responsible for technical documentation



# UK Declaration of Conformity

We, **Husqvarna AB**, SE-561 82 Huskvarna, Sweden, tel: +46-36-146500, declare on our sole responsibility that the product:

<b>Description</b>	<b>Portable cut-off machine</b>
<b>Brand</b>	HUSQVARNA
<b>Type/Model</b>	K 770 VAC
<b>Identification</b>	Serial numbers dating from 2022 and onwards

complies fully with the following UK directives and regulations:

<b>Description</b>
The Supply of Machinery (Safety) Regulations 2008
Electromagnetic Compatibility Regulations 2016
The Noise Emission in the Environment by Equipment for use Outdoors Regulations 2001
The Restriction of the Use of Certain Hazardous Substances in Electrical and Electronic Equipment Regulations 2012

and that the following harmonized standards and/or technical specifications are applied;

EN ISO 12100:2010, EN ISO 19432-1:2020, EN 55012:2008+A1:2009, EN ISO 14982:2009, EN IEC 63000:2018.

Conformity assessment procedure according to the Outdoor Noise Regulations of 2001: Schedule 8. For information relating to noise emissions, refer to *Technical data on page 29*.

Partille, 2022-04-20



Erik Silfverberg  
R&D Director, Concrete Sawing & Drilling Equipment  
Husqvarna AB, Construction Division  
Responsible for technical documentation

**UK  
CA**

UK Importer:  
Husqvarna UK Ltd  
Preston Road, Co. Durham  
DL5 6UP



# Inhalt

Einleitung.....	33	Fehlerbehebung.....	60
Sicherheit.....	36	Transport, Lagerung und Entsorgung.....	61
Montage.....	44	Technische Daten.....	62
Betrieb.....	48	Konformitätserklärung.....	64
Wartung.....	54		

# Einleitung

## Gerätebeschreibung

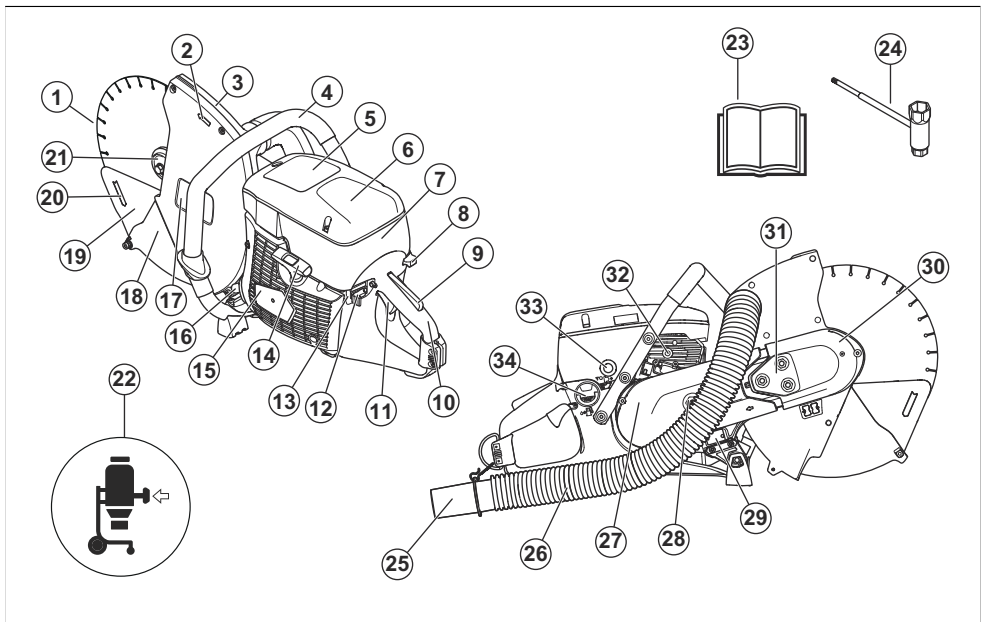
Dieser HUSQVARNA Trennschleifer ist ein tragbares, handgeführtes Schneidegerät mit Zweitaktverbrennungsmotor. Das Gerät verfügt über einen Klingenschutz, eine Klingenschutzverlängerung und einen Staubschutz, der Partikel und Funken sammelt und vom Bediener weg bewegt. Das Gerät arbeitet mit einem externen Staubabsauger.

## Verwendungszweck

Das Gerät wird zum Schneiden harter Materialien wie Beton, Mauerwerk und Stein verwendet. Verwenden Sie das Gerät nicht für andere Aufgaben. Das Gerät darf nur von professionellen Bedienern eingesetzt werden.

**Hinweis:** Der Betrieb des Geräts kann durch nationale Vorschriften eingeschränkt werden.

## Geräteübersicht K 770 VAC



- |   |                                    |
|---|------------------------------------|
| 1. Trennscheibe (nicht im Lieferumfang enthalten) | 8. Choke-Hebel                     |
| 2. Drehrichtung                                   | 9. Gashebelsperre                  |
| 3. Klingenschutz                                  | 10. Hinterer Handgriff             |
| 4. Vorderer Handgriff                             | 11. Gashebel                       |
| 5. Warnschild                                     | 12. Stoppschalter                  |
| 6. Luftfilterdeckel                               | 13. Trennungsfunktion für OilGuard |
| 7. Aufkleber Start-Anweisungen                    | 14. Starthandgriff                 |

15. Startvorrichtungsgehäuse
16. Schalldämpfer
17. Aufkleber Schneidausrüstung
18. Klingenschutzverlängerung
19. Staubschutz
20. Schnitttrichtung
21. Flansch, Spindel, Buchse
22. Staubabsauger (nicht im Lieferumfang enthalten)
23. Bedienungsanleitung
24. Kombischlüssel
25. Staubabsauger-Ausrüstung
26. Schlauch
27. Hinterer Riemenschutz
28. Riemenspanner
29. Typenschild
30. Vorderer Riemenschutz
31. Verschlusschraube für Riemeneinstellung
32. Dekompressionsventil
33. Kraftstoffpumpe
34. Tankdeckel

bevor Sie das Gerät benutzen. Siehe *Rückschlag auf Seite 41*.



**WARNUNG!** Von der Trennscheibe erzeugte Funken können brennbares Material wie Benzin (Gas), Holz, Kleidung, trockenes Gras usw. entzünden.



**WARNUNG!** Stellen Sie sicher, dass die Trennscheiben weder Risse noch andere Beschädigungen aufweisen.



**WARNUNG!** Verwenden Sie keine kreisrunden Trennscheiben.



**WARNUNG!** Verwenden Sie keine gebundenen Trennscheiben.



**WARNUNG!** Nur zum Trockenschneiden.



Verwenden Sie nur Diamanttrennscheiben.



Choke



Kraftstoffpumpenblase



Dekompressionsventil



Startseilgriff



Verwenden Sie eine Kraftstoffmischung aus Benzin und Öl.

## Symbole auf dem Gerät



**WARNUNG!** Das Gerät kann falsch oder nachlässig angewendet gefährlich sein und zu schweren oder gar lebensgefährlichen Verletzungen des Bedieners oder anderer Personen führen.



Lesen Sie die Bedienungsanleitung sorgfältig durch, und machen Sie sich mit den Anweisungen vertraut, bevor Sie das Gerät benutzen.



Tragen Sie immer eine zugelassene persönliche Schutzausrüstung. Siehe *Persönliche Schutzausrüstung auf Seite 37*.



Dieses Gerät stimmt mit den geltenden EU-Richtlinien überein.



**WARNUNG!** Beim Schneiden bildet sich Staub, der beim Einatmen Gesundheitsschäden hervorrufen kann. Verwenden Sie einen zugelassenen Atemschutz. Atmen Sie die Abgase nicht ein. Sorgen Sie immer für ausreichend Belüftung.



**WARNUNG!** Rückschläge können plötzlich, schnell und sehr heftig sein und lebensbedrohliche Verletzungen hervorrufen. Lesen Sie die Anleitung, und machen Sie sich mit dem Inhalt vertraut,

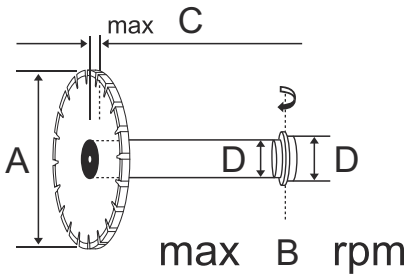


Schließen Sie den externen Staubsauger an das Gerät an. Die erforderlichen Spezifikationen finden Sie unter *Technische Daten auf Seite 62*.



Geräuschemissionen an die Umwelt gemäß EU- und UK-Richtlinien und -Vorschriften. Der garantierte Schallleistungspegel des Geräts ist unter *Technische Daten auf Seite 62* sowie auf dem Etikett angegeben.

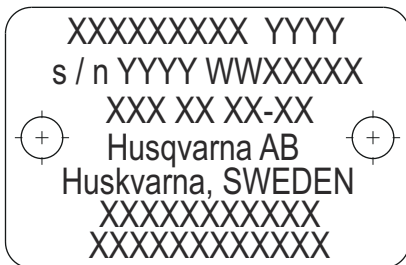
## Aufkleber Schneidausrüstung



- A: Durchmesser der Trennscheibe.  
 B: Maximale Ausgangsdrehzahl.  
 C: Maximale Trennscheibendicke.  
 D: Buchsendimension.

**Hinweis:** Sonstige Symbole oder Aufkleber am Gerät beziehen sich auf Zertifizierungsanforderungen, die in bestimmten Ländern gelten.

## Typenschild



Zeile 1: Marke, Modell (X, Y)

Zeile 2: Seriennr. mit Herstellungsdatum (Y, W, X): Jahr, Woche, Folgenr.

Zeile 3: Gerätenr. (X)

Zeile 4: Hersteller

Zeile 5: Herstelleradresse

Zeilen 6–7: Ggf. EU-Typenzulassungsnummer oder chinesische MEIN-Nummer

## Emissionen nach Euro V



**WARNUNG:** Bei jeglichen Manipulationen des Motors erlischt die EU-Typgenehmigung für dieses Produkt.

## Produktschäden

Wir haften nicht für Schäden an unserem Produkt, wenn:

- das Gerät nicht ordnungsgemäß repariert wird.
- das Gerät mit Teilen repariert wird, die nicht vom Hersteller stammen oder nicht vom Hersteller zugelassen sind.
- ein Zubehörteil mit dem Gerät verwendet wird, das nicht vom Hersteller stammt oder nicht vom Hersteller zugelassen ist.
- das Gerät nicht bei einem zugelassenen Service Center oder von einem zugelassenen Fachmann repariert wird.

---

# Sicherheit

---

## Sicherheitsdefinitionen

Warnungen, Vorsichtsmaßnahmen und Hinweise werden verwendet, um auf besonders wichtige Teile der Bedienungsanleitung hinzuweisen.



**WARNUNG:** Wird verwendet, wenn bei Nichtbeachtung der Anweisungen in diesem Handbuch die Gefahr von Verletzung oder Tod des Bedieners oder anderer Personen besteht.



**ACHTUNG:** Wird verwendet, wenn bei Nichtbeachtung der Anweisungen in diesem Handbuch die Gefahr von Schäden am Gerät, an anderen Materialien oder in der Umgebung besteht.

**Hinweis:** Für weitere Informationen, die in bestimmten Situationen nötig sind.

## Allgemeine Sicherheitshinweise



**WARNUNG:** Lesen Sie die folgenden Warnhinweise, bevor Sie das Gerät benutzen.

- Ein unsachgemäß oder nachlässig eingesetzter Trennschleifer kann zu einem gefährlichen Gerät werden und zu schweren oder gar lebensgefährlichen Verletzungen führen. Es ist deshalb von größter Wichtigkeit, dass diese Bedienungsanleitung aufmerksam durchgelesen und verstanden wird. Außerdem wird vor der erstmaligen Benutzung der Maschine eine praktische Einweisung empfohlen.
- Unter keinen Umständen darf die ursprüngliche Konstruktion des Gerätes ohne Genehmigung des Herstellers geändert werden. Verwenden Sie keine Geräte, die von anderen modifiziert wurden, und verwenden Sie immer Originalzubehör. Unzulässige Änderungen und/oder unzulässiges Zubehör können zu schweren oder sogar tödlichen Verletzungen des Anwenders oder anderer Personen führen.
- Halten Sie das Gerät sauber. Die Lesbarkeit aller Schilder und Aufkleber muss gewährleistet sein.
- Lassen Sie niemals Kinder oder nicht ausgebildete Personen das Gerät bedienen.
- Lassen Sie keine Person das Gerät verwenden, es sei denn, Sie haben vorher sichergestellt, dass die Person den Inhalt der Anleitung gelesen und verstanden hat.
- Das langfristige Einatmen der Motorabgase kann gesundheitsschädlich sein. Wenn der

Motor läuft, entstehen Abgase, die Chemikalien wie unverbrannte Kohlenwasserstoffe und Kohlenmonoxid enthalten. Der Inhalt der Abgase kann Atemprobleme hervorrufen sowie Krebs, Geburtsfehler oder andere Schäden des Fortpflanzungssystems auslösen.

Kohlenmonoxid ist farb- und geschmacklos und immer in Abgasen enthalten. Der Ausbruch einer Kohlenmonoxidvergiftung ist an einem leichten Schwindel festzustellen, der von der betreffenden Person eventuell nicht bemerkt wird. Eine ausreichend hohe Konzentration an Kohlenmonoxid kann ohne vorherige Anzeichen zu Zusammenbrüchen und Bewusstlosigkeit führen. Da Kohlenmonoxid farb- und geruchlos ist, kann sein Vorhandensein nicht erkannt werden. Immer wenn Abgasgerüche bemerkt werden, ist Kohlenmonoxid vorhanden. Benzingetriebene Trennschleifer niemals in geschlossenen Räumen oder in mehr als 1 m tiefen Baugraben oder anderen Bereichen mit schlechter Belüftung verwenden. Ausreichende Belüftung bei Arbeiten in Gräben oder anderen engen Bereichen sicherstellen.

- Dieses Gerät erzeugt beim Betrieb ein elektromagnetisches Feld. Dieses Feld kann sich unter bestimmten Bedingungen auf die Funktionsweise aktiver oder passiver medizinischer Implantate auswirken. Um die Gefahr von Situationen, die zu schweren oder tödlichen Verletzungen führen können, auszuschließen, sollten Personen mit einem medizinischen Implantat vor der Nutzung dieses Gerätes ihren Arzt und den Hersteller des Implantats konsultieren.
- Die Informationen in dieser Bedienungsanleitung ersetzen auf keinen Fall professionelle Fähigkeiten und Erfahrungen. Wenn Sie in eine Situation geraten, in der Sie unsicher sind, sollten Sie einen Fachmann um Rat fragen. Wenden Sie sich an Ihren Servicehändler. Vermeiden Sie jede Arbeit, für die Sie nicht ausreichend qualifiziert sind!

## Sicherheitshinweise für die Montage



**WARNUNG:** Lesen Sie die folgenden Warnhinweise, bevor Sie das Gerät zusammensetzen.

- Stellen Sie sicher, dass der Motor ausgeschaltet ist und dass sich der Stoppschalter in der Stellung STOP befindet.
- Tragen Sie bei der Montage des Geräts immer Schutzhandschuhe.

## Sicherheitshinweise für den Betrieb



**WARNUNG:** Lesen Sie die folgenden Warnhinweise, bevor Sie das Gerät benutzen.

- Vor der Benutzung des Trennschleifers müssen Sie wissen, was ein Rückschlag ist, und wie er vermieden werden kann. Siehe *Rückschlag auf Seite 41*.
- Arbeiten Sie niemals mit einem defekten Gerät. Die Kontroll-, Wartungs- und Serviceanweisungen in dieser Bedienungsanweisung sind genau zu befolgen. Gewisse Wartungs- und Servicemaßnahmen sind von geschulten, qualifizierten Fachleuten auszuführen. Siehe *Wartung auf Seite 54*.
- Verwenden Sie niemals das Gerät, wenn Sie müde sind, Alkohol getrunken oder Medikamente eingenommen haben, die Ihre Sehkraft, Urteilsvermögen oder Körperkontrolle beeinträchtigen können.
- Das Gerät nur mit montiertem Riemen und Riemenschutz starten. Die Kupplung kann sich lockern und Verletzungen verursachen.
- Von der Trennscheibe erzeugte Funken können brennbare Materialien wie z. B. Benzin, Gas, Holz, Kleidung und trockenes Gras entzünden.
- Verwenden Sie eine Trennscheibe nur für Material, das zum Schneiden gedacht ist.
- Schneiden Sie kein asbesthaltiges Material.

### Sicherheit im Arbeitsbereich



**WARNUNG:** Lesen Sie die folgenden Warnhinweise, bevor Sie das Gerät benutzen.

- Der Sicherheitsabstand für den Trennschleifer beträgt 15 m. Sie sind dafür verantwortlich, dass sich keine Zuschauer oder Tiere im Arbeitsbereich befinden. Erst mit dem Schneiden beginnen, wenn der Arbeitsbereich frei ist und Sie sicher stehen.
- Überprüfen Sie Ihre Umgebung auf mögliche Störquellen hin, die Ihre Aufmerksamkeit ablenken könnten.
- Es dürfen keine Personen oder Gegenstände in Berührung mit der Schneidausrüstung kommen oder von Teilen getroffen werden können, die von der Trennscheibe umhergeschleudert werden.
- Verwenden Sie das Gerät niemals bei schlechtem Wetter, z. B. bei dichtem Nebel, starkem Regen, starkem Wind, großer Kälte usw. Das Arbeiten bei schlechtem Wetter ist sehr ermüdend und kann gefährliche Umstände herbeiführen, z. B. Rutschgefahr.
- Beginnen Sie niemals mit der Arbeit, bevor der Arbeitsbereich frei ist und Sie einen sicheren Stand haben. Achten Sie auf eventuelle Hindernisse, die im

Wege sein können, wenn Sie sich plötzlich bewegen müssen.

- Stellen Sie sicher, dass kein Material herunterfallen und den Betreiber verletzen kann. Beim Arbeiten auf abschüssigem Boden müssen Sie immer sehr vorsichtig sein.
- Sorgen Sie dafür, dass der Arbeitsbereich ausreichend beleuchtet ist, damit Sie sicher arbeiten können.
- Stellen Sie außerdem sicher, dass weder unter dem Arbeitsbereich noch im Schneidegut Versorgungsleitungen verlegt sind.
- Beim Schneiden in Behälter (Trommel, Rohr o. ä.) sicherstellen, dass dieser Behälter kein brennbares oder anderweitig flüchtiges Material enthält.

### Persönliche Schutzausrüstung



**WARNUNG:** Lesen Sie die folgenden Warnhinweise, bevor Sie das Gerät verwenden.

- Tragen Sie während des Betriebs immer eine zugelassene persönliche Schutzausrüstung. Die persönliche Schutzausrüstung beseitigt nicht die Unfallgefahr, begrenzt aber den Umfang der Verletzungen und Schäden. Lassen Sie sich bei der Wahl der Schutzausrüstung von einem Fachhändler beraten.
- Verwenden Sie einen zugelassenen Schutzhelm.
- Tragen Sie einen zugelassenen Gehörschutz. Eine längerfristige Beschallung mit Lärm kann zu bleibenden Gehörschäden führen. Achten Sie immer genau auf Warnsignale oder Rufe, wenn Sie den Gehörschutz tragen. Nehmen Sie den Gehörschutz immer ab, sobald der Motor abgestellt ist.
- Tragen Sie einen zugelassenen Augenschutz, um das Verletzungsrisiko durch geworfene Gegenstände zu verringern. Bei der Benutzung eines Gesichtsschutzes ist auch eine zugelassene Schutzbrille zu tragen. Zugelassene Schutzbrillen sind in diesem Falle diejenigen, die die Normen ANSI Z87.1 für die USA bzw. EN 166 für EU-Länder erfüllen. Visiere müssen der Norm EN 1731 entsprechen.
- Tragen Sie Sicherheitshandschuhe.
- Tragen Sie einen zugelassenen Atemschutz. Die Verwendung von Fräsmaschinen, Schleifmaschinen und Bohrern, die Material abschleifen oder umformen, kann Staub und Ausdünstungen verursachen, die gefährliche Chemikalien enthalten können. Überprüfen Sie die Beschaffenheit des Materials, das Sie bearbeiten wollen, und tragen Sie einen geeigneten Atemschutz.
- Tragen Sie eng anliegende, strapazierfähige und bequeme Kleidung, die volle Bewegungsfreiheit gewährt. Durch Schneiden werden Funken erzeugt, die Ihre Kleidung entzünden können. HUSQVARNA empfiehlt das Tragen von feuerfester Baumwolle oder schwerem Jeansstoff. Tragen Sie keine

Kleidung aus Materialien wie Nylon, Polyester oder Viskose. Im Falle einer Entzündung kann dieses Material schmelzen und an der Haut kleben bleiben. Tragen Sie keine kurzen Hosen.

- Tragen Sie Stiefel mit Stahlkappe und rutschfester Sohle.
- Ein Erste-Hilfe-Set sollte immer griffbereit sein.



- Funken können vom Schalldämpfer oder der Trennscheibe kommen. Es sollte immer ein Feuerlöscher vorhanden sein.

### Sicherheitsvorrichtungen am Gerät

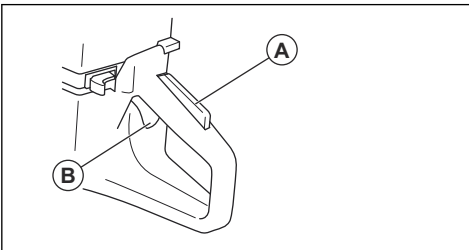


**WARNUNG:** Lesen Sie die folgenden Warnhinweise, bevor Sie das Gerät verwenden.

- Benutzen Sie nie ein Gerät mit defekter Sicherheitsausrüstung! Wenn Ihr Gerät diesen Anforderungen nicht entspricht, muss eine Servicewerkstatt aufgesucht werden.
- Verwenden Sie das Gerät nicht, wenn Schutzbleche, Schutzabdeckungen, Sicherheitsschalter oder andere Schutzvorrichtungen nicht angebracht oder beschädigt sind.

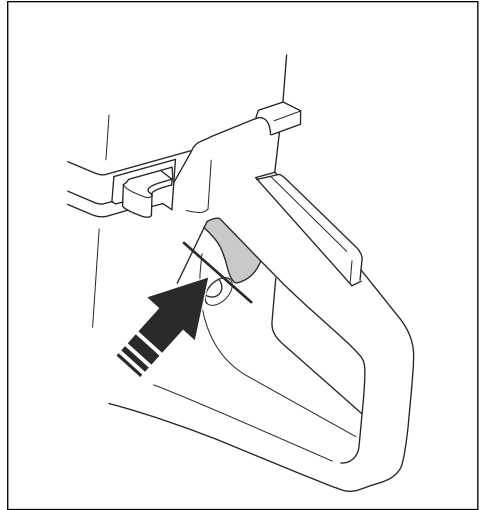
### Gashebelsperre

Die Gashebelsperre verhindert ein versehentliches Auslösen des Gashebels. Wenn Sie mit Ihrer Hand um den Griff fassen und die Gashebelsperre (A) betätigen, wird der Gashebel (B) freigegeben. Wenn Sie den Handgriff loslassen, werden Gashebel und Gashebelsperre wieder in ihre Ausgangsposition zurückgestellt. Dadurch wird der Gashebel im Leerlauf gesperrt.

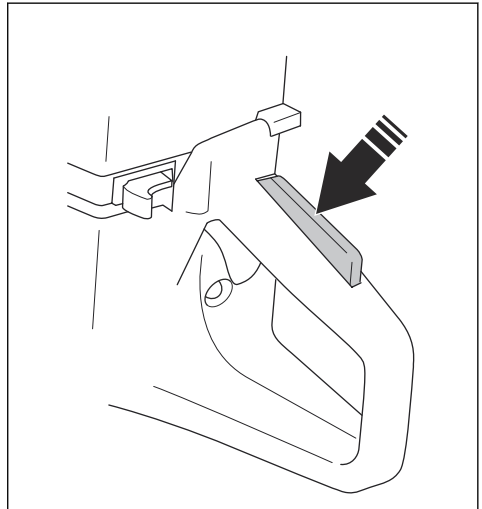


### Gashebelsperre überprüfen

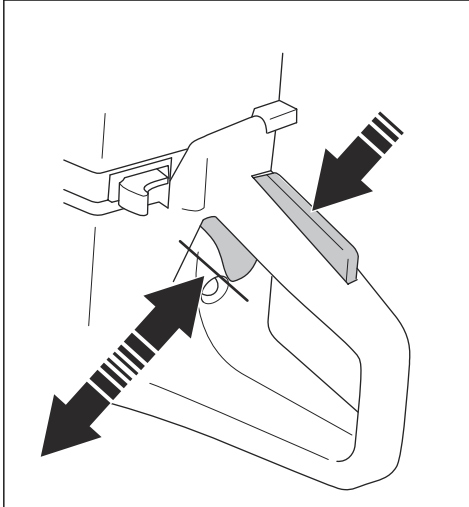
1. Stellen Sie sicher, dass der Gashebel in der Leerlaufstellung verriegelt ist, wenn die Gashebelsperre freigegeben wird.



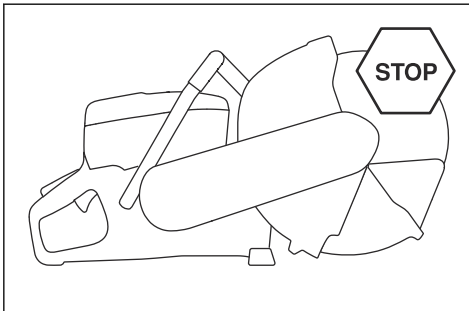
2. Drücken Sie die Gashebelsperre und kontrollieren Sie, ob sie beim Loslassen in die Ausgangsstellung zurückkehrt.



- Prüfen Sie, ob sich der Gashebel und die Gashebelsperre frei bewegen lassen und ob die Rückholfedern korrekt funktionieren.



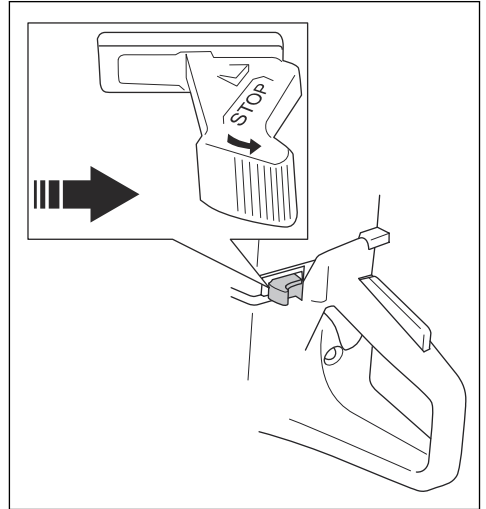
- Starten Sie das Gerät und lassen Sie es auf Vollgas laufen.
- Lassen Sie den Gashebel los und vergewissern Sie sich, dass die Trennscheibe völlig zum Stillstand kommt. Wenn sich die Trennscheibe im Leerlauf dreht, müssen Sie die Leerlaufdrehzahl einstellen. Siehe *Leerlaufdrehzahl einstellen auf Seite 58*.



#### So überprüfen Sie den Stoppschalter

- Starten Sie den Motor.

- Schalten Sie den Start-/Stoppschalter in die Position „STOP“. Der Motor muss sich automatisch abstellen.

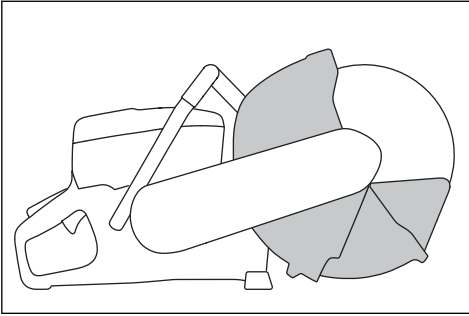


#### Klingenschutz, Klingenschutzverlängerung und Staubschutz



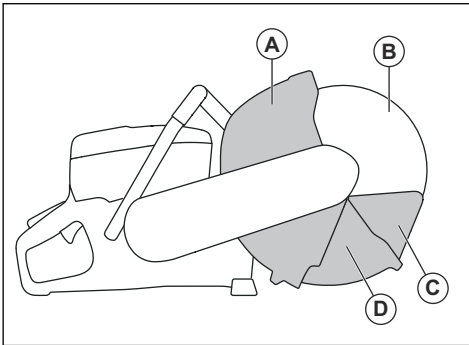
**WARNUNG:** Vergewissern Sie sich, dass der Klingenschutz, die Klingenschutzverlängerung und der Staubschutz richtig angebracht sind, bevor Sie das Gerät starten. Verwenden Sie das Gerät nicht, wenn der Klingenschutz, die Klingenschutzverlängerung oder der Staubschutz fehlt, Risse aufweist oder auf sonstige Weise defekt ist.

- Der Klingenschutz, die Klingenschutzverlängerung und der Staubschutz halten Staub vom Bediener fern und verhindern Verletzungen, wenn die Trennscheibe zerbricht. Die Klingenschutzverlängerung und der Staubschutz sind federbelastet und müssen sich immer frei bewegen können und müssen immer sofort durch die Federkraft in ihre Ausgangsstellung zurückkehren können.
- Verwenden Sie das Gerät nicht, wenn die Klingenschutzverlängerung oder der Staubschutz eingespannt oder in der zurückgezogenen Stellung gebunden ist.

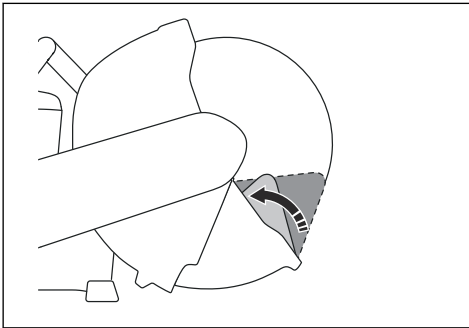


### Trennscheibe, Klingenschutz und Klingenschutzverlängerung überprüfen

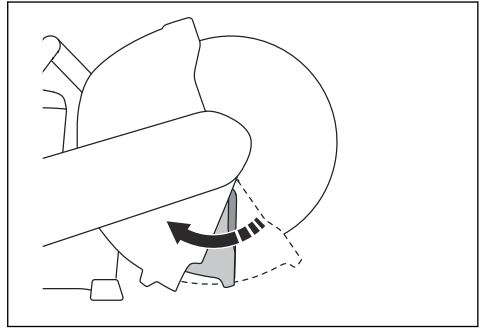
1. Stellen Sie sicher, dass die Trennscheibe (C) ordnungsgemäß angebracht und unbeschädigt ist.



2. Stellen Sie sicher, dass der Klingenschutz (A), die Klingenschutzverlängerung (D) und der Staubschutz (C) keine Risse oder sonstige Schäden aufweisen.
3. Stellen Sie sicher, dass sich der Staubschutz durch Federkraft eindrücken und sofort wieder zurückführen lässt.



4. Stellen Sie sicher, dass sich der Klingenschutz durch Federkraft eindrücken und sofort wieder zurückführen lässt.



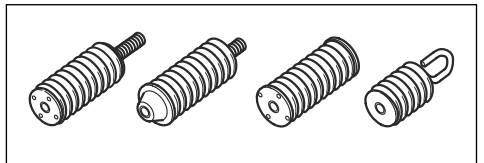
5. Ersetzen Sie die Trennscheibe und den Klingenschutz, wenn sie beschädigt sind. Bringen Sie die Klingenschutzverlängerung, den Staubschutz oder ihre Federn wieder an, wenn sie defekt sind und beim Eindrücken nicht sofort zurückkehren.

### Antivibrationssystem



**WARNUNG:** Personen mit Blutkreislaufstörungen, die zu oft Vibrationen ausgesetzt werden, laufen Gefahr, Schäden an den Blutgefäßen oder am Nervensystem davonzutragen. Gehen Sie zum Arzt, wenn Sie an Ihrem Körper Symptome feststellen, die darauf hinweisen, dass Sie übermäßigen Vibrationen ausgesetzt waren. Beispiele solcher Symptome sind: Einschlafen von Körperteilen, Gefühlsverlust, Jucken, Stechen, Schmerz, Verlust oder Beeinträchtigung der normalen Körperkraft, Veränderungen der Hautfarbe oder der Haut. Diese Symptome treten üblicherweise in Fingern, Händen und Handgelenken auf. Bei niedrigen Temperaturen können sich diese Symptome verstärken.

Das Gerät ist mit einem Antivibrationssystem ausgerüstet, das Vibrationen wirkungsvoll dämpft und so für angenehmere Arbeitsbedingungen sorgt. Das Antivibrationssystem reduziert die Übertragung von Vibrationen zwischen Motoreinheit/Schneidausrüstung und dem Handgriffsystem des Gerätes.



Das Schneiden von Granit oder Hartbeton sorgt für mehr Vibrationen als das Schneiden von



weichem Beton. Durch das Schneiden mit einer falschen, ungeschärften oder falsch geschärften Schneidausrüstung werden die Vibrationen erhöht.

### So prüfen Sie das Antivibrationssystem



**WARNUNG:** Stellen Sie sicher, dass der Motor ausgeschaltet ist und dass sich der Stoppschalter in der Stellung STOP befindet.

1. Kontrollieren Sie, dass die Antivibrationseinheiten keine Risse oder Deformationen aufweisen. Ersetzen Sie die Antivibrationseinheiten, wenn sie beschädigt sind.
2. Kontrollieren Sie, ob die Antivibrationseinheiten zwischen Motoreinheit und Handgriffeinheit korrekt verankert sind.

### Schalldämpfer

Der Schalldämpfer senkt den Geräuschpegel so weit wie möglich und hält die Abgase des Motors vom Anwender fern.

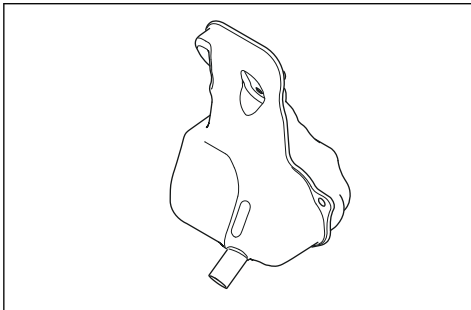
Verwenden Sie das Gerät nicht, wenn der Schalldämpfer fehlt oder beschädigt ist. Ein beschädigter Schalldämpfer erhöht den Geräuschpegel und die Brandgefahr.



**WARNUNG:** Der Schalldämpfer ist beim Betrieb und auch noch nach dem Ausschalten sehr heiß. Dies gilt auch für den Leerlauf. Seien Sie sich der Brandgefahr bewusst, besonders wenn sich feuergefährliche Stoffe und/oder Gase in der Nähe befinden.

### Schalldämpfer überprüfen

1. Vergewissern Sie sich, dass der Schalldämpfer nicht beschädigt ist.



2. Vergewissern Sie sich, dass der Schalldämpfer richtig angebracht ist.

### Rückschlag

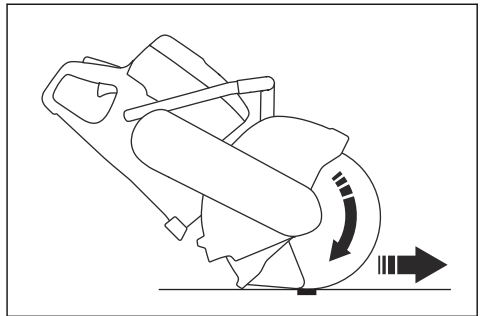


**WARNUNG:** Rückschläge treten unerwartet und mit zum Teil großer Heftigkeit auf. Heftige Drehbewegungen und starkes Wackeln des Trennschleifers können zu schweren oder tödlichen Verletzungen führen. Bediener müssen deshalb vor dem Betrieb des Produktes die Ursachen für Rückschläge sowie die Vorsichtsmaßnahmen zu deren Vermeidung verstehen.

Als Rückschläge werden ruckartige Aufwärtsbewegungen bezeichnet, die dadurch entstehen, dass die Klinge im Rückschlagbereich einklemmt oder stecken bleibt. Die meisten Rückschläge haben nur kleine Auswirkungen auf das Verhalten des Gerätes und stellen keine große Gefahr dar. Es kann jedoch zu heftigen Drehbewegungen und starkem Wackeln des Trennschleifers kommen, was zu schweren oder tödlichen Verletzungen führen kann.

### Rückschlageffekt

Der Rückschlageffekt kann bei Schneidearbeiten jederzeit auftreten. Das Gerät wird dabei in die zur Drehbewegung der Trennscheibe entgegengesetzte Richtung gezogen. Beim Betrieb des Gerätes kann dieser Effekt meist vernachlässigt werden. Wird die Klinge eingeklemmt oder bleibt sie stecken, so kann die Heftigkeit der Rückschlageffekte dazu führen, dass der Bediener die Kontrolle über das Gerät verliert.

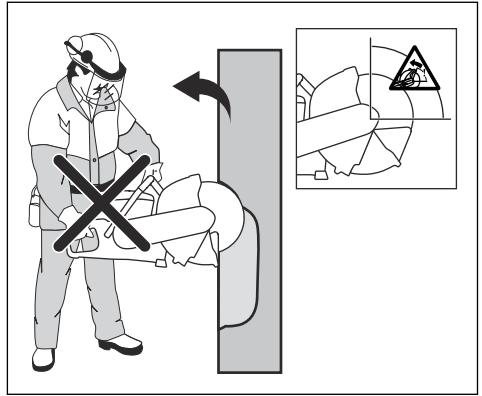
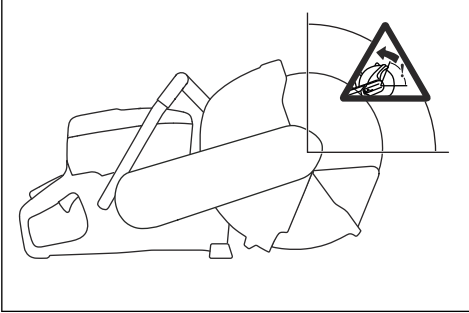


Bewegen Sie das Gerät niemals, wenn sich die Schneidausrüstung dreht. Kreiselkräfte können die beabsichtigte Bewegung behindern

### Rückschlagbereich

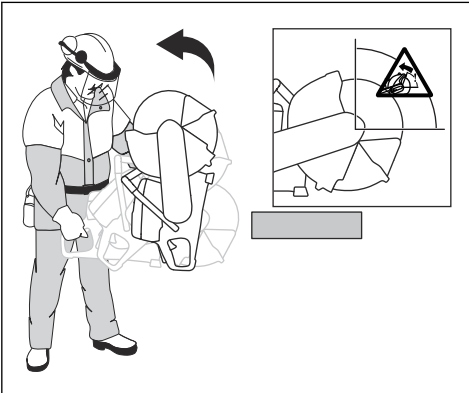
Der Rückschlagbereich der Klinge soll niemals zum Schneiden angewendet werden. Wird die Klinge eingeklemmt oder bleibt sie im Rückschlagbereich stecken, kann die Heftigkeit der Rückschlageffekte zu heftigen Drehbewegungen und starkem Wackeln des

Trennschleifers führen, was schwere oder tödliche Verletzungen verursachen kann.



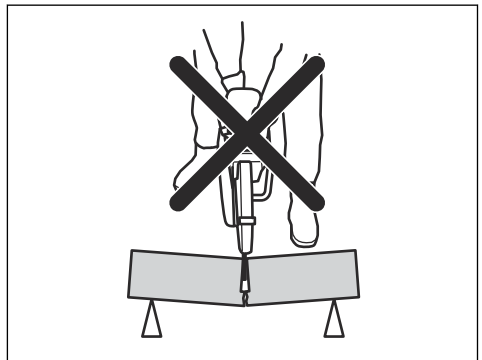
### Rückschlag der rotierenden Kette

Ein Rückschlag der rotierenden Kette tritt auf, wenn die Trennscheibe in der Rückschlagzone nicht frei beweglich ist.



### Blockierung

Blockiert wird das Gerät, wenn sich die Schnittstelle verengt. Wird die Klinge eingeklemmt oder bleibt sie stecken, so kann die Heftigkeit der Rückschlageffekte dazu führen, dass der Bediener die Kontrolle über das Gerät verliert.



### Hochschlagen des Geräts durch Rückschlageffekt

Wird mit dem Rückschlagbereich geschnitten, kann der Rückstoßeffect zu einem Hochschlagen des Gerätes führen. Scheiden Sie deshalb nicht mit dem Rückschlagbereich. Ein Hochschlagen des Gerätes können Sie dadurch vermeiden, dass Sie mit dem unteren Quadrant der Klinge schneiden.

Wird die Klinge eingeklemmt oder bleibt sie im Rückschlagbereich stecken, kann die Heftigkeit der Rückschlageffekte zu heftigen Drehbewegungen und starkem Wackeln des Trennschleifers führen, was schwere oder tödliche Verletzungen verursachen kann. Auf mögliche Bewegungen des Werkstücks achten. Wenn das Werkstück nicht ausreichend gestützt ist und sich beim Schneiden verschiebt, kann es durch Einklemmen der Trennscheibe zu einem Rückschlag kommen.

### Schneiden von Rohren



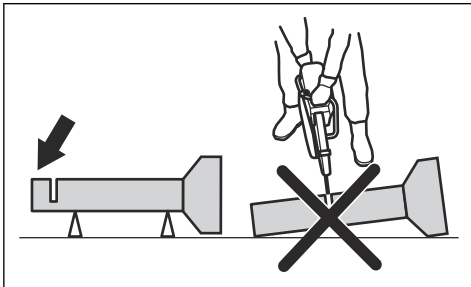
**WARNUNG:** Wird die Klinge im Rückschlagbereich eingeklemmt, führt dies zu einem starken Rückschlageffekt.

Beim Schneiden von Rohren ist besondere Sorgfalt geboten. Ist das Rohr nicht ordnungsgemäß gestützt

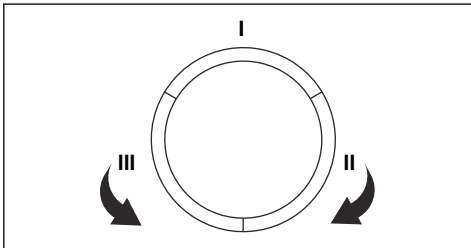
und die Schnittstelle während des Schneidens offen, könnte die Trennscheibe eingeklemmt werden. Achtung: Beim Schneiden eines Rohrs mit einem verbreiterten Ende oder eines Rohrs in einem Baugraben kann eine nicht ausreichende Stützung zu einem Durchhängen und Einklemmen der Trennscheibe führen.

Wenn das Rohr durchhängt, so dass sich die Schnittstelle verengt, wird die Trennscheibe im Rückschlagbereich eingeklemmt und kann einen schweren Rückschlag hervorrufen. Wenn das Rohr ordnungsgemäß gestützt ist, fällt das Ende des Rohrs nach unten, die Schnittstelle wird verbreitert, und die Trennscheibe kann nicht eingeklemmt werden.

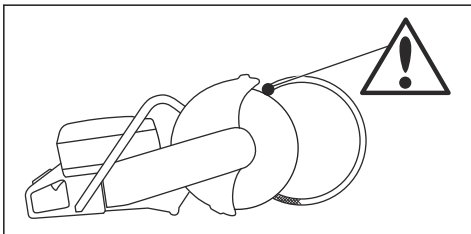
1. Sichern Sie das Rohr, damit es sich nicht bewegen oder wegrollen kann.



2. Schneiden Sie Bereich I des Rohrs.



3. Stellen Sie sicher, dass der Schnitt geöffnet wird, um ein Einklemmen zu verhindern.



4. Auf Seite II wechseln und von Abschnitt I bis zur Unterseite des Rohrs schneiden.
5. Auf Seite III wechseln und den restlichen Teil des Rohrs an der Unterseite schneiden.

## Einen Rückschlag verhindern



**WARNUNG:** Vermeiden Sie Situationen, in denen Rückschlaggefahr besteht. Seien Sie bei der Verwendung Ihres Trennschleifers vorsichtig und stellen Sie sicher, dass die Trennscheibe nicht in der Rückschlagzone eingeklemmt wird.



**WARNUNG:** Seien Sie beim erneuten Einführen der Trennscheibe in einen bestehenden Schnittspalt vorsichtig.

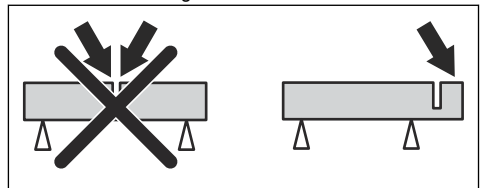


**WARNUNG:** Stellen Sie sicher, dass das Werkstück sich während der Arbeit nicht bewegen kann.



**WARNUNG:** Nur Sie selbst und eine vorschriftsmäßige Arbeitstechnik können den Rückschlag und seine Risiken ausschalten.

- Stützen Sie das Werkstück stets ab, so dass der Schnitt beim Schneiden offen bleiben kann. Bei einer geöffneten Schnittstelle tritt kein Rückschlageffekt auf. Rückschlaggefahr besteht, wenn sich die Schnittstelle schließt und die Trennscheibe eingeklemmt werden könnte.



## Sicherer Umgang mit Kraftstoff



**WARNUNG:** Lesen Sie die folgenden Warnhinweise, bevor Sie das Gerät benutzen.

- Beim Tanken und Mischen von Kraftstoff (Benzin und Zweitaktöl) ist für gute Belüftung zu sorgen.
- Seien Sie vorsichtig beim Umgang mit Kraftstoff. Kraftstoff und Kraftstoffdämpfe sind leicht entzündlich. Es besteht Feuer-, Explosions- und Vergiftungsgefahr.
- Beim Tanken nicht rauchen und jegliche Wärmequellen vom Kraftstoff fernhalten.
- Den Motor abstellen und vor dem Tanken einige Minuten abkühlen lassen.
- Öffnen Sie den Tankdeckel stets vorsichtig, sodass sich ein evtl. vorhandener Überdruck langsam abbauen kann.

- Den Tankdeckel nach dem Tanken wieder sorgfältig zudrehen. Wenn der Deckel nicht ordnungsgemäß angezogen ist, kann er sich durch Vibration lockern. Dadurch kann Kraftstoff aus dem Kraftstofftank entweichen und eine Brandgefahr hervorrufen.
- Niemals Kraftstoff nachfüllen, wenn der Motor läuft.
- Bewegen Sie das Gerät vor dem Start immer mindestens 3 Meter aus dem Auftankbereich und von der Auftankquelle weg.

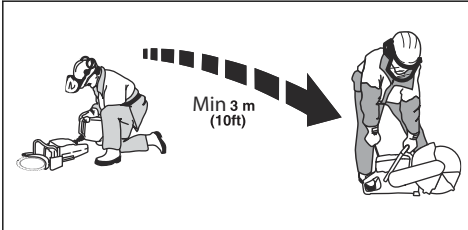
- Am Gerät tritt Kraftstoff aus. Überprüfen Sie den Tankdeckel und die Kraftstoffleitungen regelmäßig auf Undichtigkeiten.

## Sicherheitshinweise für die Wartung



**WARNUNG:** Lesen Sie die folgenden Warnhinweise, bevor Sie das Gerät benutzen.

- Stellen Sie sicher, dass der Motor ausgeschaltet ist und dass sich der Stoppschalter in der Stellung STOP befindet.
- Tragen Sie eine persönliche Schutzausrüstung. Siehe *Persönliche Schutzausrüstung auf Seite 37*.
- Wenn die Wartung nicht ordnungsgemäß und regelmäßig erfolgt, erhöht sich die Verletzungsgefahr und das Risiko für eine Beschädigung des Produkts.
- Führen Sie nur Wartungsarbeiten durch, die gemäß dieser Betriebsanleitung vorgegeben sind. Lassen Sie alle anderen Wartungsarbeiten von einem autorisierten Servicecenter durchführen.
- Lassen Sie das Gerät regelmäßig von einer autorisierten HUSQVARNA Servicewerkstatt warten.
- Ersetzen Sie beschädigte, abgenutzte oder defekte Teile.
- Verwenden Sie immer Originalzubehör.



Nach dem Tanken gibt es einige Situationen, in denen das Gerät niemals gestartet werden darf:

- Wenn Kraftstoff über dem Gerät verschüttet wurde. Wischen Sie den verschütteten Kraftstoff restlos ab und lassen Sie die Kraftstoffdämpfe verdunsten.
- Sie haben Kraftstoff über sich selbst oder Ihre Kleidung verschüttet. Wechseln Sie Ihre Kleidung und waschen Sie alle Körperteile, die mit Kraftstoff in Kontakt gekommen sind. Verwenden Sie Wasser und Seife.

## Montage

### Einleitung



**WARNUNG:** Lesen Sie vor der Montage des Geräts das Kapitel über Sicherheit, und machen Sie sich damit vertraut.

Diese Warnhinweise sind im Lieferumfang der Trennscheibe enthalten. Lesen und befolgen Sie alle Anweisungen des Trennscheiben-Herstellers.

### Trennscheiben



**WARNUNG:** Um das Risiko von Verletzungen oder Bränden zu verringern, verwenden Sie keine gebundenen abrasiven Trennscheiben. Verwenden Sie nur empfohlene Diamanttrennscheiben in Kombination mit dem mitgelieferten Flansch.



**WARNUNG:** Die Trennscheibe sollte vor der Montage auf der Säge und in regelmäßigen Abständen während der Benutzung überprüft werden. Auf Risse, verlorene Segmente (Diamantklingen) oder abgebrochene Teile prüfen. Keine schadhafte Trennscheibe verwenden.

Die Trennscheiben von HUSQVARNA sind Hochdrehzahltrennscheiben, die für handgeführte Trennschleifer zugelassen sind.

- Die Trennscheibe sollte vor der Montage auf der Säge und in regelmäßigen Abständen während der Benutzung überprüft werden. Auf Risse, verlorene Segmente (Diamantklingen) oder abgebrochene Teile prüfen. Keine schadhafte Trennscheibe verwenden.
- Lesen und befolgen Sie die Anweisungen für die Trennscheibe.



**WARNUNG:** Schleifscheiben können kaputtgehen und schwere Schäden oder Verletzungen verursachen.



**WARNUNG:** Der Hersteller der Trennscheibe gibt Warnungen und Empfehlungen für die Verwendung und die angemessene Pflege der Trennscheibe.

- Trennscheiben von hoher Qualität sind oftmals die wirtschaftlichste Alternative.
- Trennscheiben von geringer Qualität haben oft ein schlechteres Schneidvermögen und eine kürzere Lebensdauer, was zu höheren Kosten im Verhältnis zum geschnittenen Material führt.
- Darauf achten, dass für die Trennscheibe jeweils die richtige Buchse montiert wird. Siehe *Prüfen der Trennscheibenbuchse auf Seite 46*.
- Korrekten Zustand jeder neuen Trennscheibe durch Betrieb bei Vollgas (ca. 1 Minute) kontrollieren.

## Korrekte Trennscheiben



**WARNUNG:** Lesen und befolgen Sie die nachstehenden Warnhinweise, bevor Sie das Gerät verwenden.

- Trennscheiben sind ausschließlich für das vorgesehene Material zu verwenden.
- Verwenden Sie zum trockenen Trennschleifen nur eine Diamanttrennscheibe.
- Verwenden Sie niemals gezahnte Klingen wie Holzsägeblätter, gezahnte Kreissägeblätter, Hartmetallsägeblätter oder ähnliches. Die Rückschlaggefahr ist dabei erheblich höher. Dabei können außerdem Bruchstücke auf den Bediener bei hoher Geschwindigkeit geschleudert werden. Unachtsamkeit kann zu schweren Verletzungen bis hin zum Tod führen.
- Verwenden Sie keine Diamanttrennscheibe, deren Höchstdrehzahl niedriger ist als die des Trennschleifers. Verwenden Sie nur Diamanttrennscheiben, die in Übereinstimmung mit den nationalen oder regionalen Normen eingesetzt werden, z. B. EN13236 oder ANSI B7.1.
- Die Trennscheibe muss für die gleiche oder eine höhere Nenndrehzahl als die des Geräts zugelassen sein. Die Nenndrehzahl ist auf dem Klingenschutz angegeben.
- Viele Trennscheiben, die an diesem Gerät befestigt werden können, sind für stationäre Sägen vorgesehen. Die Nenndrehzahl dieser Trennscheiben ist zu gering für dieses Gerät.
- Wählen Sie eine Trennscheibe aus, die passend zu der an der Maschine montierten Buchse ist.

## Trennscheibenvibrationen

- Die Scheibe kann unrund werden und vibrieren, wenn ein zu hoher Druck ausgeübt wird.
- Ein niedrigerer ausgeübter Druck kann die Vibration mindern. Tauschen Sie andernfalls die Scheibe aus.

## Diamantscheiben



**WARNUNG:** Verwenden Sie keine Diamantklinge zum Schneiden von Kunststoff. Die hohe Hitzeentwicklung während des Schneidens kann dazu führen, dass der Kunststoff schmilzt und an der

Trennscheibe klebt und es zu einem Rückschlag kommt.



**WARNUNG:** Während des Einsatzes können Diamantscheiben sehr heiß werden. Überhitzung an der Klinge entsteht als Folge unsachgemäßer Verwendung und kann zu Verformungen der Trennscheibe und damit zu Sach- und Personenschäden führen.

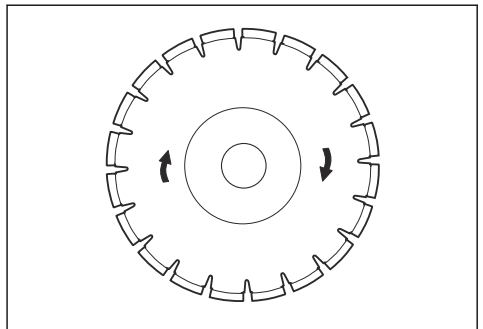


**WARNUNG:** Das Schneiden von Metall kann zu Feuer und Schäden an diesem Gerät oder am Staubabsauger führen.

**Hinweis:** Diamantscheiben sind in mehreren Härtegraden erhältlich.

**Hinweis:** Die Scheiben durch Schneiden in einem weichen Material wie Sand- oder Ziegelstein schleifen.

- Immer eine scharfe Diamantscheibe benutzen.
- Diamantscheiben können stumpf werden, wenn der falsche Druck ausgeübt oder wenn damit bestimmtes Material wie beispielsweise stark armerter Beton geschnitten wird. Die Arbeit mit einer stumpfen Diamantscheibe führt zu Überhitzung, die dazu führen kann, dass sich Diamantsegmente lösen.
- Diamantscheiben bestehen aus einem Stahlkörper mit Segmenten mit Industriediamanten.
- Diamantscheiben werden vorzugsweise für alle Arten von Mauerwerk, armierten Beton und andere zusammengesetzte Materialien verwendet.
- Diamantklingen sorgen für niedrigere Kosten pro Schneidvorgang, selteneren Klingenaustausch und konstante Schnitttiefe.
- Stellen Sie bei Nutzung einer Diamantscheibe sicher, dass diese in die Richtung rotiert, die der Pfeil auf der Scheibe angibt.



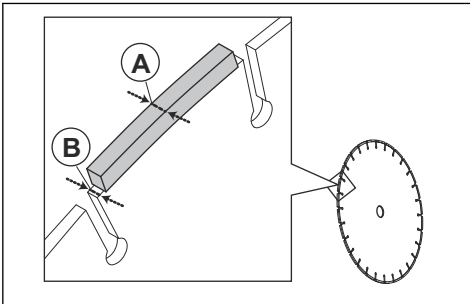
## Diamantklingen für den Trockenschnitt

- Die während des Schneidens entstehende Reibung führt zur einer Erwärmung der Diamantscheibe. Wenn Sie die Trennscheibe zu heiß werden lassen, kann dies zu einem Spannungsverlust oder zu einem Kernriss in der Trennscheibe führen.
- Obwohl für die Kühlung kein Wasser erforderlich ist, müssen trockene Trennschreiben durch Luftstrom gekühlt werden. Aus diesem Grund werden trockene Trennscheiben nur für unregelmäßige Schnittbedingungen empfohlen. Alle paar Sekunden während des Schneidens sollte die Trennscheibe „frei“ und ohne Last laufen, damit der Luftstrom um die Trennscheibe herum die Hitze abschwächt.

## Diamanttrennscheibe – Seitenspiel



**WARNUNG:** In bestimmten Situationen oder mit Trennscheiben geringer Qualität kann es zu übermäßigem Verschleiß der Segmente kommen. Stellen Sie sicher, dass das Diamantsegment (A) breiter ist als die Scheibe (B). Dadurch werden ein Festklemmen im Schnittspalt und ein Rückschlag verhindert. Siehe *Rückschlag* auf Seite 41.



**ACHTUNG:** In manchen Situationen und bei schlechten Trennscheiben kann es zu übermäßigem Verschleiß der Segmente kommen. Ersetzen Sie die Trennscheibe, bevor sie verschlissen ist.

## Spindelwelle und Flanschscheiben prüfen



**ACHTUNG:** Verwenden Sie nur HUSQVARNA Flanschscheiben mit einem Mindestdurchmesser von 60 mm.

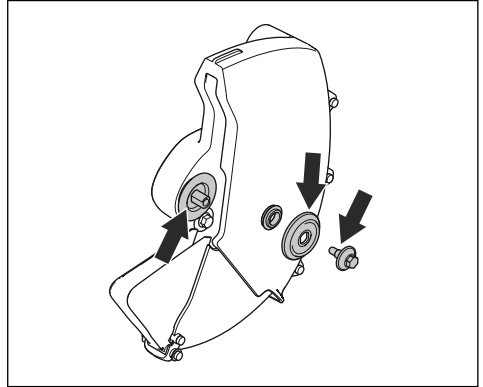


**WARNUNG:** Eine falsche Flanschscheibe kann dazu führen, dass die Trennscheibe beschädigt wird oder sich löst. Verwenden Sie keine schmutzigen, verschlissenen oder

beschädigten Flanschscheiben. Verwenden Sie nur Flanschscheiben mit der gleichen Abmessung.

Prüfen Sie die Flanschscheiben und die Spindelwelle, wenn die Trennscheibe ersetzt wird. Ersetzen Sie die beschädigten Teile.

1. Stellen Sie sicher, dass die Gewinde der Spindelwelle nicht beschädigt sind.

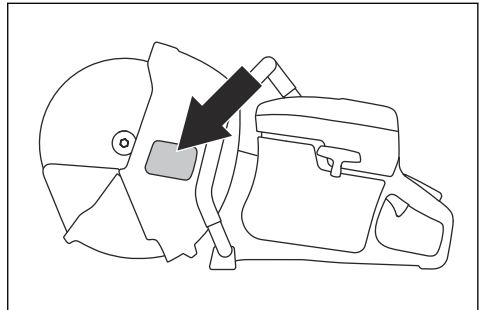


2. Stellen Sie sicher, dass die Kontaktflächen an der Trennscheibe und den Flanschscheiben nicht beschädigt sind.
3. Vergewissern Sie sich, dass die Flanschscheiben sauber sind und die richtige Abmessung aufweisen.
4. Vergewissern Sie sich, dass die Flanschscheiben korrekt auf der Spindelwelle laufen.

## Prüfen der Trennscheibenbuche

Die Trennscheibenbuchen dienen zur Einpassung des Geräts in das Mittelloch der Trennscheibe. Das Gerät ist entweder mit einer Buchse ausgestattet, die umgedreht werden kann, um auf 20 mm oder 25,4 mm zu passen, oder aber mit einer festen 20-mm-Buchse.

- Ein Aufkleber auf dem Klingenschutz gibt an, welche Buchse werksseitig zusammen mit der entsprechenden Klingenspezifikation montiert wurde.

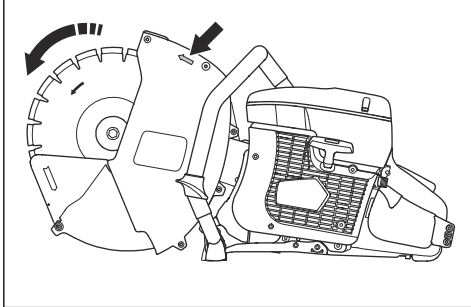


Verwenden Sie nur HUSQVARNA Trennscheibenbuchen.

- Stellen Sie sicher, dass die Trennscheibenbuchse das richtige Maß für die Trennscheibe hat. Das richtige Maß ist auf der Trennscheibe aufgedruckt.

### Drehrichtung der Trennscheibe prüfen

1. Machen Sie den Pfeil auf dem Klingenschutz ausfindig, der die Richtung zeigt, in die sich die Trennscheibe dreht.
2. Machen Sie den Pfeil auf der Trennscheibe ausfindig, der die Richtung zeigt, in die sich die Trennscheibe dreht.



3. Stellen Sie sicher, dass die Pfeile auf dem Klingenschutz und der Trennscheibe die gleiche Richtung zeigen.

### Trennscheibe anbringen



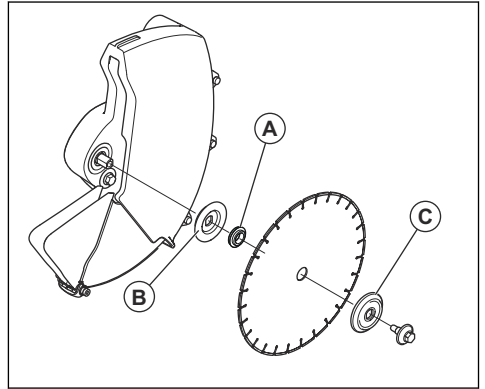
**WARNUNG:** Stellen Sie sicher, dass der Motor ausgeschaltet ist und dass sich der Stoppschalter in der Stellung STOP befindet.



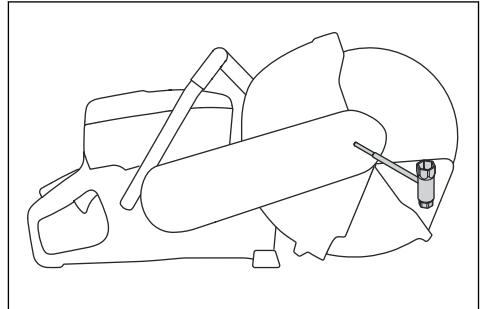
**WARNUNG:** Tragen Sie bei der Montage des Geräts immer Schutzhandschuhe.

1. Prüfen Sie die Flanschscheiben und die Spindelwelle, wenn die Trennscheibe angebracht wird. Siehe *Spindelwelle und Flanschscheiben prüfen auf Seite 46*.

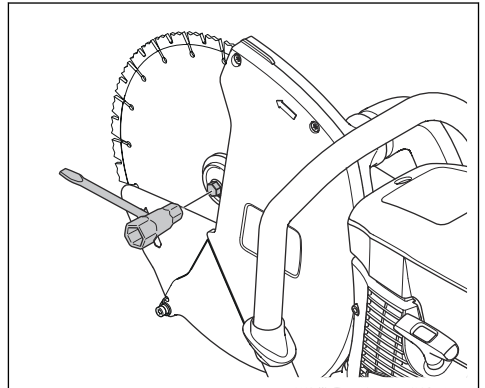
2. Die Trennscheibe wird an die Buchse (A) zwischen der inneren Flanschscheibe (B) und der Flanschscheibe (C) angebracht.



3. Sperren Sie die Riemenscheibe.



4. Ziehen Sie die Schraube mit 30 Nm an.



### Trennscheibe schärfen

**Hinweis:** Die besten Schnittergebnisse erzielen Sie, wenn Sie eine scharfe Trennscheibe verwenden.

- Schleifen Sie die Trennscheibe durch Schneiden in weiches Material wie Sand- oder Ziegelstein.

---

## Betrieb

---

### Einleitung



**WARNUNG:** Lesen Sie vor der Benutzung des Geräts das Kapitel zur Gerätesicherheit und die Bedienungsanleitung.



**WARNUNG:** Kontrollieren Sie, ob die Trennscheibe korrekt montiert ist und keine Schäden aufweist.

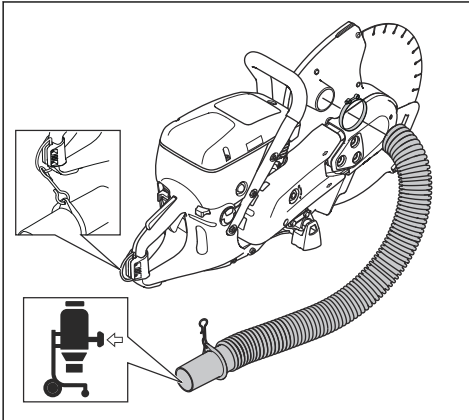


**WARNUNG:** Vergewissern Sie sich, dass der Klingenschutz, die Klingenschutzverlängerung und der Staubschutz richtig angebracht sind, bevor Sie das Gerät starten. Die Klingenschutzverlängerung und der Staubschutz müssen sich stets frei bewegen können. Verwenden Sie das Gerät nicht, wenn der Klingenschutz, die Klingenschutzverlängerung oder der Staubschutz fehlt oder defekt ist.

### Anschluss für externen Staubabsauger

Verwenden Sie das Gerät nicht ohne einen externen Staubabsauger. Informationen zum entsprechenden Staubabsauger finden Sie unter *Technische Daten auf Seite 62*

1. Schließen Sie den Staubabsauger an die Staubabsauger-Ausrüstung am Trennschleifer an.



**WARNUNG:** Bevor Sie in einem bestehenden Schnittspalt, der mit einer anderen Trennscheibe geschnitten wurde, weiterschneiden, müssen Sie überprüfen, ob dieser Spalt nicht dünner als die Trennscheibe ist, damit sich die Trennscheibe nicht im Schnittspalt festfrisst und es keinen Rückschlag gibt.



**WARNUNG:** Beim trockenen Trennschleifen wird eine Diamanttrennscheibe sehr heiß. Die Trennscheibe muss regelmäßig gekühlt werden, um eine Überhitzung zu vermeiden. Bei Überhitzung besteht ein Risiko, dass Kernriss und Trennscheibenbruch oder Verlust von Spannung und Wackeln mit Rückschlaggefahr auftreten. Um die Trennscheibe mit Luft zu kühlen, lassen Sie es ohne Last frei laufen.

2. Weitere Informationen zum Staubabsauger finden Sie in der Bedienungsanleitung des Staubabsaugers.

### Grundlegende Arbeitstechnik



**WARNUNG:** Ziehen Sie das Gerät nicht zur Seite. Dadurch kann die freie Bewegung der Trennscheibe verhindert werden. Die Trennscheibe kann brechen und Verletzungen des Bedieners oder umstehender Personen verursachen.

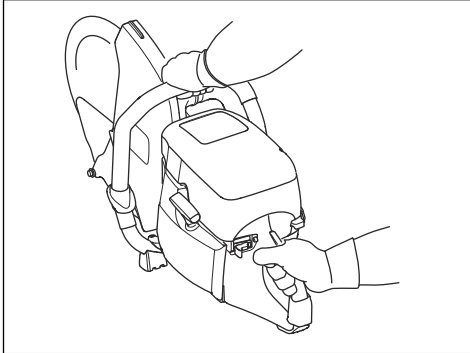
- Schneiden Sie nicht mit dem Rückschlagbereich der Trennscheibe. Siehe *Rückschlagbereich auf Seite 41*.
- Stellen Sie sicher, dass für die entsprechende Anwendung eine korrekte Trennscheibe verwendet wird. Siehe Anweisungen *Korrekte Trennscheiben auf Seite 45*.
- Halten Sie bei laufendem Motor Abstand von der Trennscheibe. Versuchen Sie nicht, eine sich drehende Trennscheibe mit einem Körperteil zu stoppen.
- Säge mit beiden Händen halten. Die Griffe fest mit Daumen und Fingern umfassen. Mit der rechten Hand den hinteren Griff und mit der linken Hand den vorderen Griff umfassen. Alle Benutzer, ob Links-



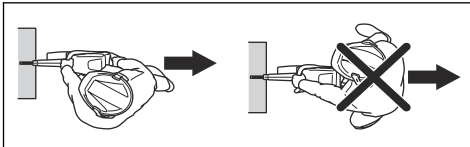
**WARNUNG:** Schleifen Sie niemals mit der Trennscheibenseite. Die Trennscheibe kann brechen und Verletzungen des Bedieners oder umstehender Personen verursachen. Verwenden Sie nur die Schneidkante.



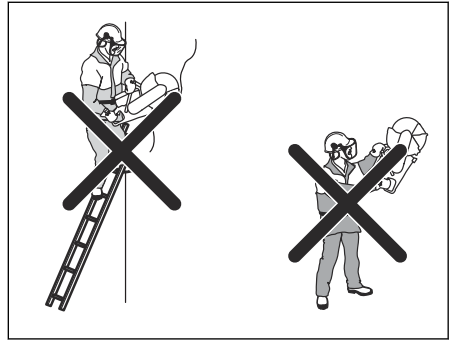
oder Rechtshänder, müssen die Handgriffe so greifen. Den Trennschleifer niemals nur mit einer Hand halten und betreiben.



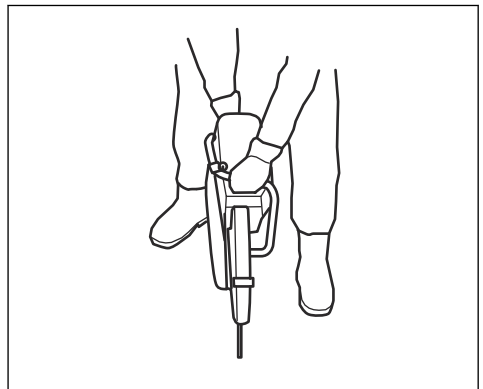
- Immer parallel zur Trennscheibe stehen. Stellen Sie sich nie genau dahinter. Im Fall eines Rückschlags bewegt sich die Säge in der Ebene der Trennscheibe.



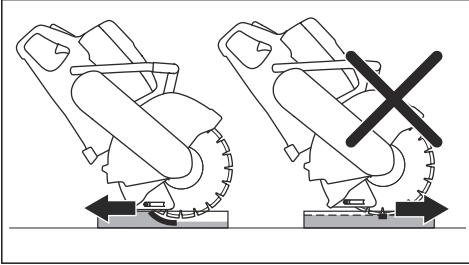
- Bewegen Sie das Gerät niemals, wenn sich die Schneidausrüstung dreht. Stellen Sie sicher, dass die Trennscheibe vollständig zum Stillstand gekommen ist, bevor Sie das Gerät auf den Boden stellen.
- Lassen Sie die Maschine bei laufendem Motor nie unbeaufsichtigt.
- Eine sichere Arbeitsstellung mit festen Stand einnehmen.
- Bevor Sie in einem bestehenden Schnittspalt, der mit einer anderen Trennscheibe geschnitten wurde, weiterschneiden, müssen Sie überprüfen, ob dieser Spalt nicht dünner als die Trennscheibe ist, damit sich die Trennscheibe nicht im Schnittspalt festfrisst und es keinen Rückschlag gibt.
- Unter keinen Umständen oberhalb der Schulterhöhe schneiden.
- Niemals von einer Leiter aus schneiden. Eine Plattform oder ein Gerüst verwenden, wenn der Schnitt oberhalb der Schulter erfolgt. Sorgen Sie für einen festen Stand.



- Bequemem Abstand zum Werkstück einhalten.
- Stellen Sie sicher, dass sich die Trennscheibe frei bewegen kann und nicht in Kontakt mit etwas steht, wenn der Motor gestartet wird.
- Achten Sie immer auf das Gerät, wenn der Motor läuft.
- Wenn sich die Trennscheibe im Schnitt oder beim Abbrechen des Trennvorgangs verklemmt, lassen Sie den Gashebel los und warten Sie, bis die Trennscheibe zum Stillstand kommt. Ziehen Sie die Trennscheibe auf keinen Fall aus dem Schnitt, während sie in Bewegung ist, sonst kann es zu einem Rückschlag kommen.
- Setzen Sie die Trennscheibe vorsichtig bei hoher Drehzahl (Vollast) an. Behalten Sie die Höchstgeschwindigkeit bei, bis der Schneidvorgang abgeschlossen ist.
- Das Gerät arbeiten lassen, ohne die Trennscheibe zu forcieren oder einzudrücken. Wenn die Trennscheibe zu wackeln beginnt, verringern Sie den Vorschub. Wenn die Trennscheibe weiterhin wackelt, stoppen Sie sie und tauschen Sie sie.
- Die Maschine in einer Linie mit der Trennscheibe führen. Verdrehen Sie den Schnitt nicht, da ein Seitendruck eine Bindung im Schneidspalt verursachen und zu Trennscheibenschäden oder Rückschlag führen kann.



- Vergewissern Sie sich bei allen Schneidarbeiten, dass die Klingenschutzverlängerung und der Staubschutz bündig mit dem Werkstück sind.



Schieben Sie die Trennscheibe zur vollen Schnitttiefe an der Ober-/Vorderseite des Schnitts und bewegen Sie die Trennscheibe langsam nach unten/hinten. Dies verringert die Temperatur der Trennscheibe und trägt dazu bei, den Staub aufzufangen.

## Kraftstoff

Dieses Produkt verfügt über einen Zweitaktmotor.



**ACHTUNG:** Die Verwendung eines falschen Kraftstoffs kann zu einer Beschädigung des Motors führen. Verwenden Sie eine Mischung aus Benzin und Zweitaktöl.

## Zweitaktöl

- Verwenden Sie für beste Ergebnisse und die beste Leistung HUSQVARNA Zweitaktöl.
- Wenn HUSQVARNA Zweitaktöl nicht verfügbar ist, verwenden Sie ein qualitativ hochwertiges Zweitaktöl für luftgekühlte Motoren. Wenden Sie sich an Ihren Kundendienst zur Auswahl der richtigen Ölsorte.



**ACHTUNG:** Verwenden Sie kein Zweitaktöl für wassergekühlte Außenbordmotoren (auch Outboardoil genannt). Verwenden Sie kein Öl für Viertaktmotoren.

## Vorgemischter Kraftstoff

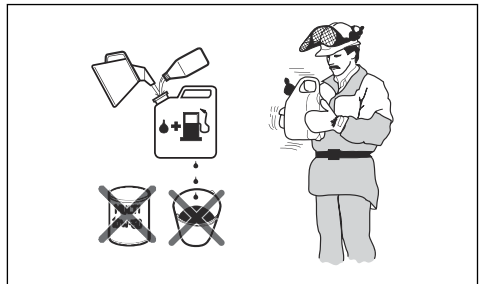
- Verwenden Sie HUSQVARNA vorgemischten Alkyatkraftstoff. Dies sorgt für die beste Leistung und eine Verlängerung der Lebensdauer des Motors. Im Vergleich zu herkömmlichem Kraftstoff enthält dieser Kraftstoff weniger gesundheitsschädliche Substanzen, wodurch der Ausstoß schädlicher Abgase verringert wird. Die Menge von Rückständen nach der Verbrennung ist bei diesem Kraftstoff niedriger. Dadurch bleiben die Bauteile des Motors sauberer.

## So mischen Sie Benzin und Zweitaktöl

Benzin, Liter	Zweitaktöl, Liter
	<b>2 % (50:1)</b>
5	0,10
10	0,20
15	0,30
20	0,40
US-Gallonen	Flüssige US-Unzen
1	2 ½
2 1/2	6 ½
5	12 ¾



**ACHTUNG:** Beim Mischen kleiner Kraftstoffmengen wirken sich auch kleine Abweichungen bei der Ölmenge stark auf das Mischungsverhältnis aus. Um das korrekte Mischungsverhältnis sicherzustellen, muss die beizumischende Ölmenge genau abgemessen werden.



1. Füllen die Hälfte des Benzins in einen sauberen Kraftstoffbehälter.
2. Fügen Sie die gesamte Menge Öl hinzu.
3. Schütteln Sie die Kraftstoffmischung.
4. Geben Sie dann den Rest des Benzins in den Behälter dazu.
5. Schütteln Sie die Kraftstoffmischung sorgfältig.



**ACHTUNG:** Mischen Sie Kraftstoff höchstens für einen Monat im Voraus.

## Kraftstoff einfüllen



**ACHTUNG:** Verwenden Sie kein Benzin mit einer geringeren Oktanzahl als 90 RON (87 AKI). Dies kann das Gerät beschädigen.



**ACHTUNG:** Verwenden Sie kein Benzin mit einer höheren Ethanolkonzentration als 10 % (E10). Dies kann das Gerät beschädigen.

**Hinweis:** Unter Umständen ist eine Vergasereinstellung bei einer Änderung des Kraftstofftyps erforderlich.

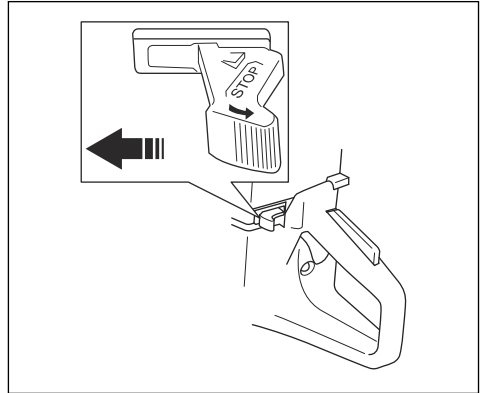
- Verwenden Sie Benzin mit einer höheren Oktanzahl, wenn Sie das Gerät häufig und bei kontinuierlich hoher Motordrehzahl verwenden.
1. Öffnen Sie den Tankdeckel langsam, damit der Druck entweichen kann.
  2. Füllen Sie langsam mit einem Kraftstoffkanister auf. Wenn Sie Kraftstoff verschütten, entfernen Sie ihn mit einem Tuch und lassen Sie den verbleibenden Treibstoff trocknen.
  3. Säubern Sie den Bereich um den Tankdeckel herum.
  4. Schrauben Sie den Kraftstofftankdeckel fest zu. Wenn der Tankverschluss nicht fest zugeschraubt ist, besteht Feuergefahr.
  5. Bewegen Sie das Produkt vor dem Starten mindestens 3 m von der Stelle fort, an der Sie den Tank befüllt hatten.

## Gerät bei kaltem Motor starten

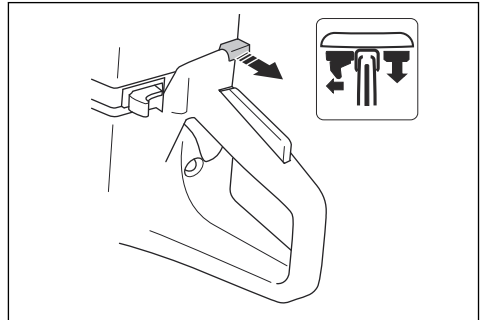


**WARNUNG:** Stellen Sie sicher, dass die Trennscheibe sich frei drehen kann. Sie dreht sich, wenn der Motor anspringt.

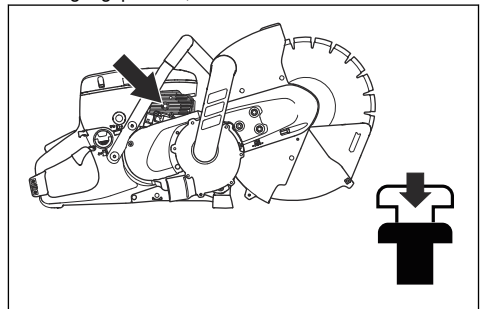
1. Stellen Sie sicher, dass sich der Stoppschalter in linker Stellung befindet.



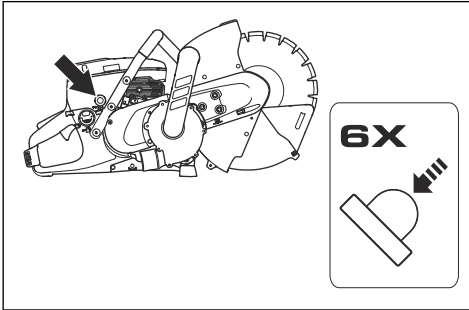
2. Ziehen Sie den Choke-Hebel vollständig heraus und erhalten Sie die Startdrosselklappenstellung.



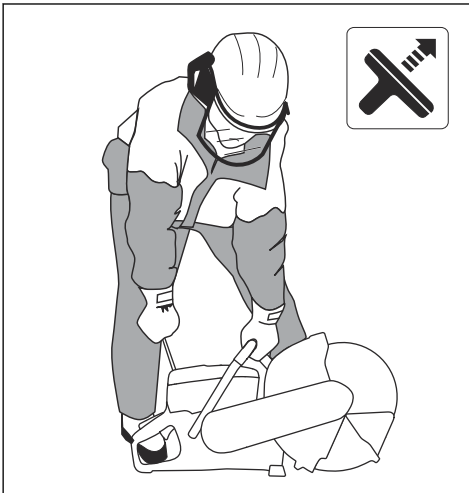
3. Drücken Sie das Dekompressionsventil, um den Druck im Zylinder zu verringern. Das Dekompressionsventil geht zurück in die Ausgangsposition, wenn das Gerät startet.



4. Drücken Sie die Kraftstoffpumpenblase 6 Mal, bis sie vollständig mit Kraftstoff gefüllt ist.



5. Halten Sie den vorderen Handgriff mit der linken Hand fest.  
6. Treten Sie mit dem rechten Fuß in den hinteren Griff und drücken Sie das Gerät gegen den Boden.



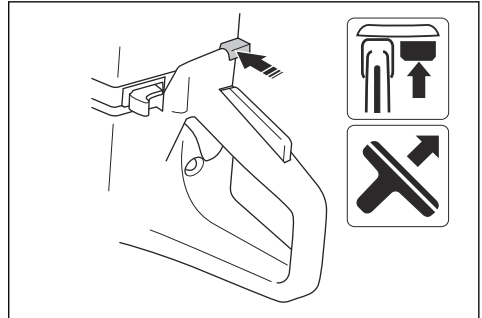
**WARNUNG:** Wickeln Sie das Starterseil nicht um Ihre Hand.

7. Ziehen Sie das Starterseil langsam mit der rechten Hand, bis Sie einen Widerstand spüren, wenn die Starterklinken einrasten. Ziehen Sie dann kontinuierlich und schnell.



**ACHTUNG:** Ziehen Sie das Starterseil nicht ganz heraus und lassen Sie den Startseilhandgriff aus herausgezogener Lage nicht los. Dies kann das Gerät beschädigen.

8. Drücken Sie den Choke-Hebel, wenn der Motor startet. Wenn der Choke herausgezogen wird, stoppt der Motor nach einigen Sekunden. Falls der Motor aussetzt, ziehen Sie noch einmal am Startseilhandgriff.



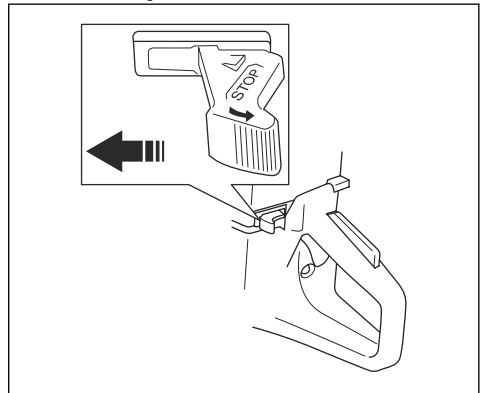
9. Drücken Sie den Gashebel, um das Startgas auszuschalten. Das Gerät geht in den Leerlauf über.

### Gerät bei warmem Motor starten

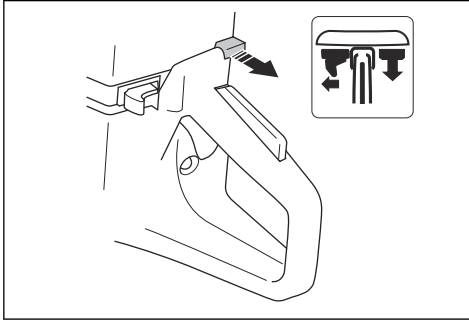


**WARNUNG:** Stellen Sie sicher, dass die Trennscheibe sich frei drehen kann. Sie dreht sich, wenn der Motor anspringt.

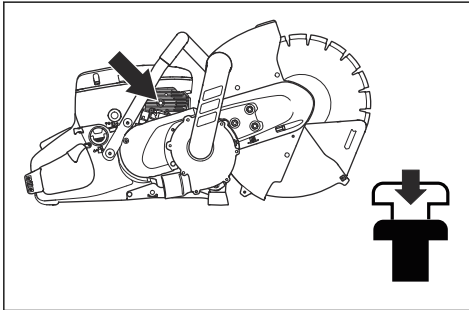
1. Stellen Sie sicher, dass sich der Stoppschalter in linker Stellung befindet.



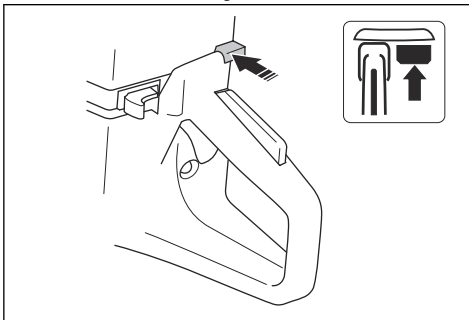
2. Ziehen Sie den Choke-Hebel vollständig heraus und erhalten Sie die Startdrosselklappenstellung.



3. Drücken Sie das Dekompressionsventil, um den Druck im Zylinder zu verringern. Das Dekompressionsventil geht zurück in die Ausgangsposition, wenn das Gerät startet.



4. Drücken Sie den Choke-Hebel, um den Choke zu deaktivieren. Das Startgas bleibt in Position.



5. Halten Sie den vorderen Handgriff mit der linken Hand fest.

6. Treten Sie mit dem rechten Fuß in den hinteren Griff und drücken Sie das Gerät gegen den Boden.



**WARNUNG:** Wickeln Sie das Starterseil nicht um Ihre Hand.

7. Ziehen Sie das Starterseil langsam, bis Sie einen Widerstand spüren, wenn die Starterklinken einrasten. Ziehen Sie dann kontinuierlich und schnell.



**ACHTUNG:** Ziehen Sie das Starterseil nicht ganz heraus und lassen Sie den Startseilhandgriff aus herausgezogener Lage nicht los. Dies kann das Gerät beschädigen.

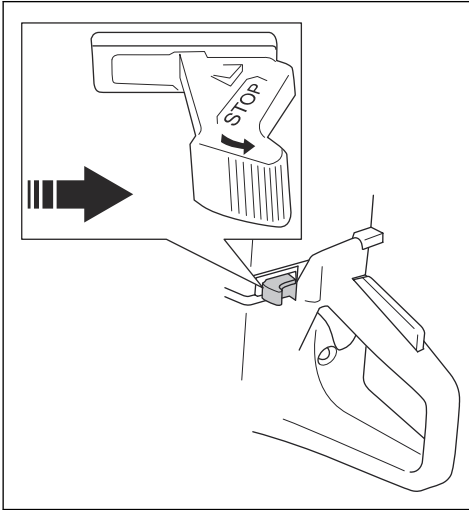
8. Drücken Sie den Gashebel, um das Startgas auszuschalten. Das Gerät geht in den Leerlauf über.

## Gerät stoppen



**WARNUNG:** Nach dem Ausschalten des Motors kann es bis zu einer Minute dauern, bis die Trennscheibe zum Stillstand kommt (bekannt als Auslauf). Achten Sie dabei darauf, dass sich die Trennscheibe störungsfrei drehen kann, bis die Drehbewegung endgültig aufhört. Durch Unachtsamkeiten können schwere Verletzungen herbeigeführt werden.

- Bewegen Sie den Stoppschalter nach rechts, um den Motor zu stoppen.



## Wartung

### Wartungsplan

Der Wartungsplan zeigt die erforderliche Wartung des Geräts: Die Intervalle werden anhand der täglichen Nutzung des Geräts berechnet.

	Täglich	Wöchentlich	Monatlich	Jährlich
<b>Reinigen</b>	Außenreinigung		Zündkerze	
	Kaltlufterlass		Kraftstofftank	
<b>Austauschen</b>				Kraftstofffilter
<b>Funktionsinspektion</b>	Generalinspektion	Antivibrationssystem*	Kraftstoffsystem	
	Gashebelsperre*	Schalldämpfer*	Luftfilter	
	Stoppschalter*	Antriebsriemen	Kupplung	
	Klingenschutz, Klingenschutzverlängerung und Staubschutz*	Vergaser		
	Trennscheibe*	Startvorrichtunggehäuse		
* Siehe <i>Sicherheitsvorrichtungen am Gerät auf Seite 38.</i>				

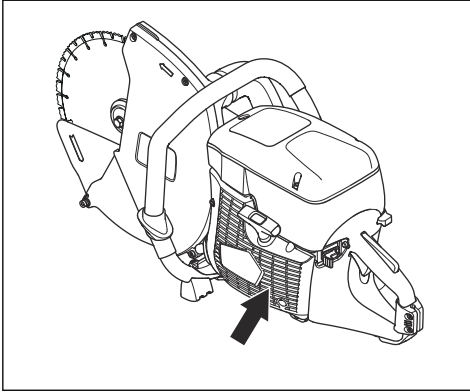
### Außen reinigen

- Spülen Sie das Gerät äußerlich nach jedem Arbeitstag mit sauberem Wasser. Falls erforderlich, verwenden Sie eine Bürste.

### Kaltlufterlass reinigen

**Hinweis:** Ein verschmutzter oder verstopfter Lufterlass macht das Gerät zu heiß. Dies kann Schäden an Zylinder und Kolben zur Folge haben.

- Reinigen Sie den Kaltluftreinlass, falls erforderlich.

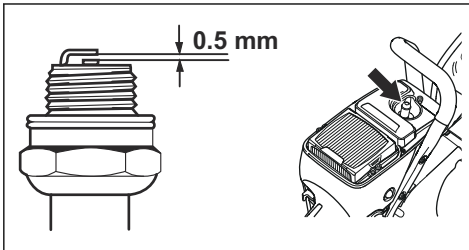


### So überprüfen Sie die Zündkerze

**Hinweis:** Verwenden Sie stets den vom Hersteller empfohlenen Zündkerzentyp! Eine ungeeignete Zündkerze kann Schäden an Kolben und Zylinder verursachen. Angaben zur empfohlenen Zündkerze siehe *Technische Daten auf Seite 62*.

Ölpartikel an der Zündkerze können auftreten, wenn eine falsche Kraftstoffmischung oder zu viel Öl verwendet wird. Ein verschmutzter Luftfilter kann auch Ölpartikel an der Zündkerze verursachen. Kleine Partikel an den Zündkerzenelektroden können zu Problemen beim Starten und Betreiben des Geräts führen. Wenn das Gerät eine zu geringe Leistung liefert, nur schwer gestartet werden kann oder unbefriedigend im Leerlauf läuft, überprüfen Sie immer die Zündkerze.

1. Stellen Sie sicher, dass Zündkappe und Zündung unversehrt sind, um die Gefahr von elektrischen Schlägen auszuschließen.
2. Reinigen Sie die Zündkerze, wenn sie schmutzig ist.
3. Überprüfen Sie, ob der Elektrodenabstand 0,5 mm beträgt. Falls erforderlich, die Zündkerze austauschen.



### So führen Sie eine allgemeine Inspektion durch

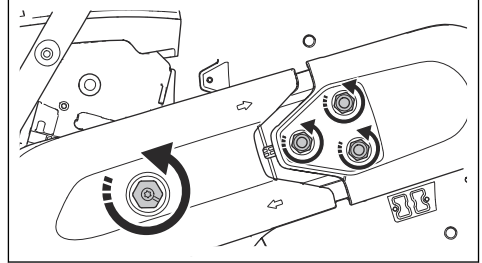
- Stellen Sie sicher, dass alle Muttern und Schrauben am Gerät richtig angezogen sind.

## Treibriemen austauschen

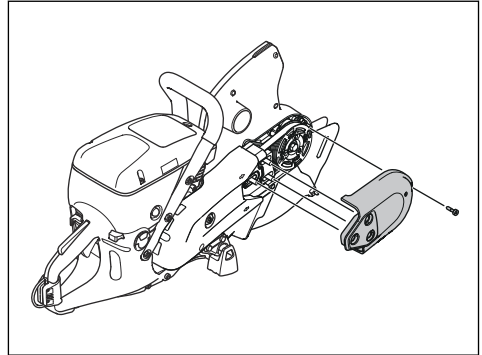


**WARNUNG:** Starten Sie das Gerät nicht, ohne dass alle Schutze und Abdeckungen montiert sind.

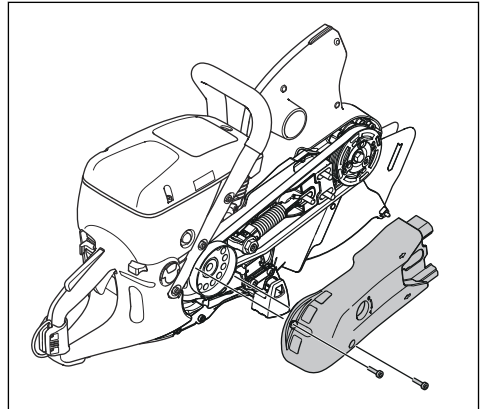
1. Lösen Sie die 3 Muttern am Schneidkopf. Lösen Sie die Riemenspannung mit der Einstellschraube.



2. Entfernen Sie die Schraube und die Muttern. Entfernen Sie den vorderen Riemenchutz.

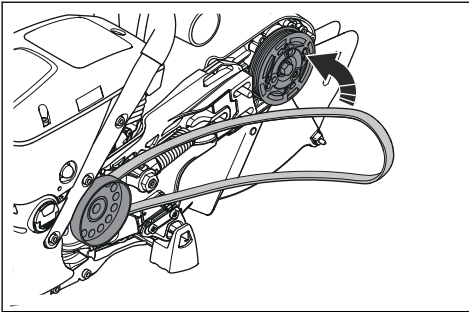


3. Entfernen Sie die 2 Schrauben am hinteren Riemenchutz. Entfernen Sie den Riemenchutz.

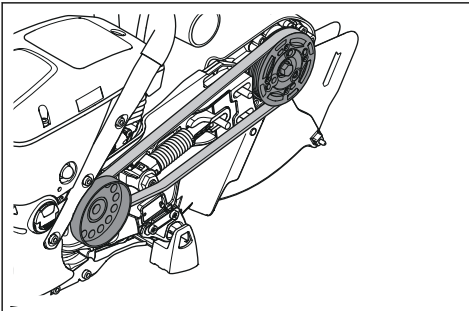


4. Nehmen Sie den Treibriemen ab.

5. Montieren Sie einen neuen Treibriemen.



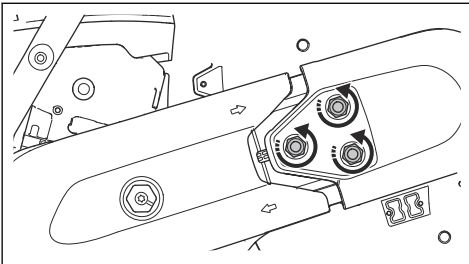
6. Stellen Sie sicher, dass der Treibriemen in die richtige Position gebracht wird.



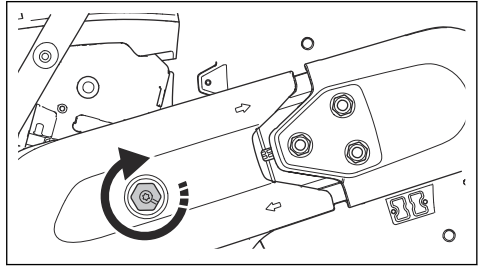
7. Montieren Sie die 2 Riemenschutzte.  
8. Stellen Sie die Spannung des Treibriemens ein.  
Siehe *Spannung des Treibriemens einstellen auf Seite 56.*

## Spannung des Treibriemens einstellen

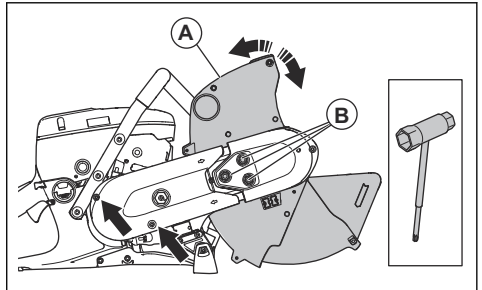
1. Lösen Sie die 3 Muttern.



2. Drehen Sie die Einstellschraube im Uhrzeigersinn, um die Spannung des Treibriemens zu erhöhen.



3. Bewegen Sie den Klingenschutz (A) 3-5 Mal nach oben und unten. Ziehen Sie die Muttern (B) an.



## Startvorrichtungsgehäuse



**WARNUNG:** Seien Sie immer vorsichtig, und verwenden Sie immer einen Augenschutz, wenn Sie die Rückzugfeder oder das Startseil ersetzen. Die Rückzugfeder ist gespannt, wenn sie im Startvorrichtungsgehäuse aufgewickelt ist. Die Rückzugfeder kann herausspringen und Verletzungen verursachen.

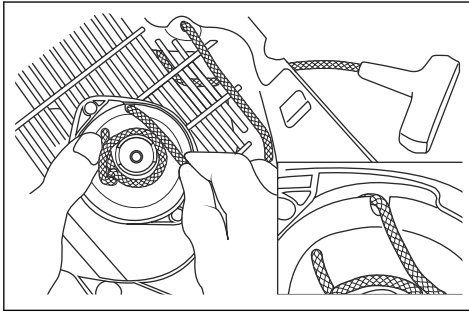
## Startvorrichtungsgehäuse entfernen

1. Lösen Sie die 4 Schrauben am Startvorrichtungsgehäuse.
2. Entfernen Sie das Startvorrichtungsgehäuse.

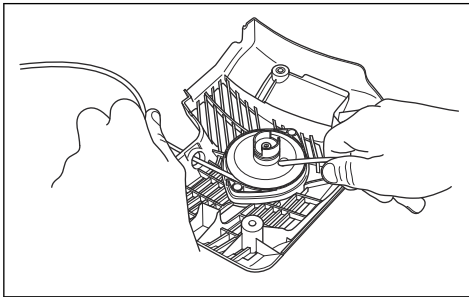
## Ein beschädigtes Startseil austauschen



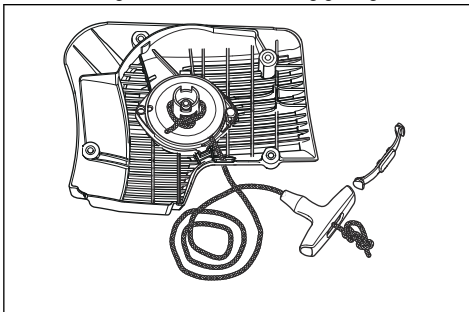
- Halten Sie die Startseilrolle mit dem Daumen.  
Ziehen Sie das Startseil ca. 30 cm und setzen Sie es in die Aussparung an der Seilrolle ein.



- Drehen Sie die Seilrolle langsam in die entgegengesetzte Richtung, um die Federspannung zu lösen.
- Entfernen Sie das verbleibende Startseil.
- Prüfen Sie, ob die Rückzugfeder richtig funktioniert.
- Führen Sie das neue Startseil durch die Öffnung im Startvorrichtungsgehäuse und in der Seilrolle.

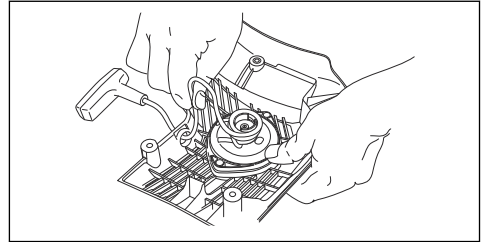


- Befestigen Sie das Startseil an der Seilrolle.
- Ziehen Sie die Verbindung fest an. Stellen Sie sicher, dass das freie Ende des Startseils so kurz wie möglich ist.
- Befestigen Sie das Ende des Startseils im Starthandgriff wie in der Abbildung gezeigt.

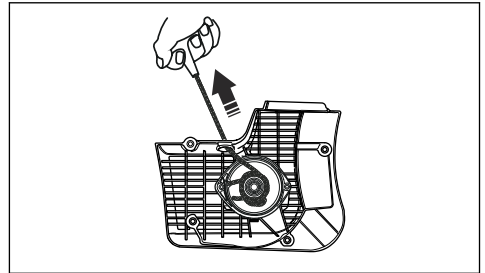


## So stellen Sie die Spannung der Rückzugfeder ein

- Führen Sie das Seil durch die Aussparung in der Seilrolle. Wickeln Sie das Seil 3 Umdrehungen im Uhrzeigersinn um die Mitte der Seilrolle.



- Ziehen Sie den Startknopf, um die Spannung der Rückzugfeder einzustellen.
- Führen Sie das Seil durch die Aussparung in der Seilrolle. Wickeln Sie das Seil 4 Umdrehungen im Uhrzeigersinn um die Mitte der Seilrolle.
- Ziehen Sie den Startknopf, um die Spannung der Rückzugfeder einzustellen.



**Hinweis:** Der Startknopf bewegt sich in Position, nachdem die Spannung eingestellt wurde.

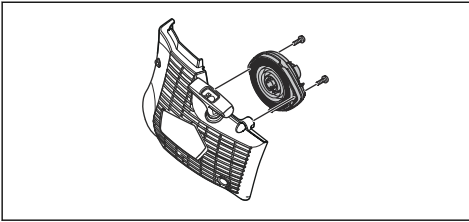
- Ziehen Sie das Startseil vollständig heraus, und stellen Sie sicher, dass sich die Rückzugfeder nicht in ihrer Endposition befindet. Bremsen Sie die Seilrolle mit dem Daumen ab.
- Achten Sie darauf, dass die Seilrolle um mindestens eine halbe Umdrehung gedreht werden kann, bevor die Rückzugfeder die Bewegungen stoppt.

## So entfernen Sie die Federeinheit



**WARNUNG:** Tragen Sie immer einen Augenschutz, wenn Sie die Federeinheit entfernen. Es besteht das Risiko einer Augenverletzung, insbesondere wenn eine Feder gebrochen ist.

1. Entfernen Sie die 2 Schrauben an der Federeinheit.



2. Drücken Sie die 2 Halterungen an den Schnappverschlüssen mit einem Schraubendreher.

## Federeinheit reinigen



**ACHTUNG:** Entfernen Sie die Feder nicht von der Einheit.

1. Blasen Sie die Feder mit Druckluft aus, bis sie sauber ist.
2. Tragen Sie ein leichtes Öl auf die Feder auf.

## Federeinheit anbringen

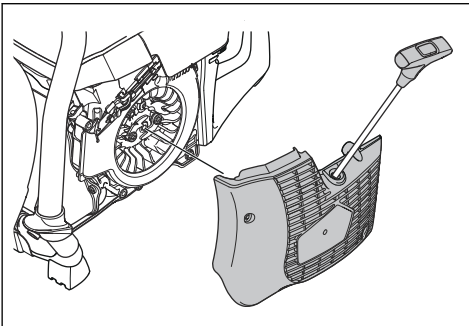
- Die Montage erfolgt in umgekehrter Reihenfolge von *So entfernen Sie die Federeinheit auf Seite 57.*

## Startvorrichtungsgehäuse einbauen



**ACHTUNG:** Die Starterklinken müssen in die richtige Position zur Seilrollenhülse kommen.

1. Ziehen Sie das Startseil ca. 0,5 m heraus.



2. Halten Sie die Position des Startseils und setzen Sie die Startvorrichtung gegen das Gerät.
3. Lösen Sie das Startseil langsam, bis sich die Starterklinken in der richtigen Position befinden.
4. Ziehen Sie die 4 Schrauben an der Startvorrichtung an.

## Vergaser überprüfen

**Hinweis:** Der Vergaser hat starre Nadeln, um sicherzustellen, dass das Gerät immer die richtige Mischung aus Kraftstoff und Luft erhält.

1. Überprüfen Sie den Luftfilter. Siehe *Luftfilter überprüfen auf Seite 59*
2. Wenn dies notwendig ist, ersetzen Sie den Luftfilter.
3. Wenn der Motor weiterhin an Leistung oder Drehzahl verliert, wenden Sie sich an Ihren HUSQVARNA Servicehändler.

## Kraftstoffsystem überprüfen

1. Vergewissern Sie sich, dass der Kraftstofftankdeckel und seine Dichtung nicht beschädigt sind.
2. Überprüfen Sie den Kraftstoffschlauch. Ersetzen Sie den Kraftstoffschlauch bei Beschädigung.

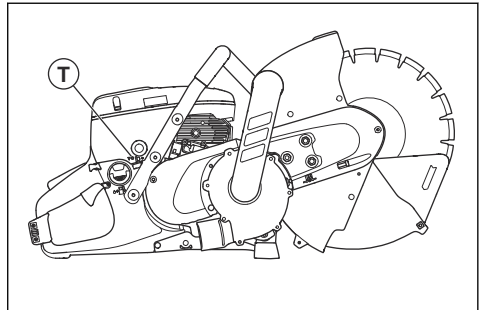
## Leerlaufdrehzahl einstellen



**WARNUNG:** Wenn sich die Trennscheibe im Leerlauf dreht, wenden Sie sich an Ihren Servicehändler. Sie dürfen das Gerät nicht einsetzen, bis die Leerlaufdrehzahl korrekt eingestellt oder repariert wurde.

**Hinweis:** Die empfohlene Leerlaufdrehzahl beträgt 2700 U/min.

1. Starten Sie den Motor.
2. Überprüfen Sie die Leerlaufdrehzahl. Ist der Vergaser richtig eingestellt, stoppt die Trennscheibe, wenn der Motor im Leerlauf läuft.
3. Verwenden Sie die T-Schraube, um die Leerlaufdrehzahl einzustellen.



- a) Drehen Sie die Schraube im Uhrzeigersinn, bis die Trennscheibe sich zu drehen beginnt.
- b) Drehen Sie die Schraube gegen den Uhrzeigersinn, bis die Trennscheibe aufhört, sich zu drehen.

## Kraftstofffilter

Der Kraftstofffilter sitzt im Kraftstofftank. Der Kraftstofffilter verhindert eine Verunreinigung des Kraftstofftanks, wenn der Kraftstofftank gefüllt ist. Der Kraftstofffilter muss jährlich oder häufiger ausgetauscht werden, wenn er verstopft ist.



**ACHTUNG:** Reinigen Sie den Kraftstofffilter nicht.

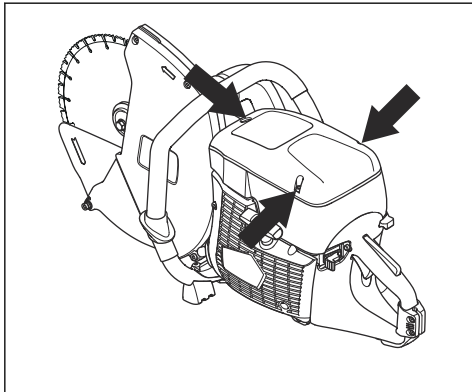
## Luftfilter überprüfen



**ACHTUNG:** Seien Sie vorsichtig, wenn Sie den Luftfilter entfernen. Partikel, die in den Vergasereinlass fallen, können zu Schäden führen.

Prüfen Sie den Luftfilter, wenn die Motorleistung abnimmt.

1. Lösen Sie die 3 Schrauben am Luftfilterdeckel.



2. Nehmen Sie den Luftfilterdeckel ab.
3. Überprüfen Sie den Luftfilter. Wenn dies notwendig ist, ersetzen Sie den Luftfilter. Siehe *Luftfilter austauschen auf Seite 59*.
4. Tauschen Sie den Luftfilterdeckel aus.
5. Ziehen Sie die 3 Schrauben an.

## Luftfilter austauschen



**ACHTUNG:** Reinigen Sie den Luftfilter nicht mit Druckluft. Der Luftfilter besteht aus Papier und kann leicht beschädigt werden.

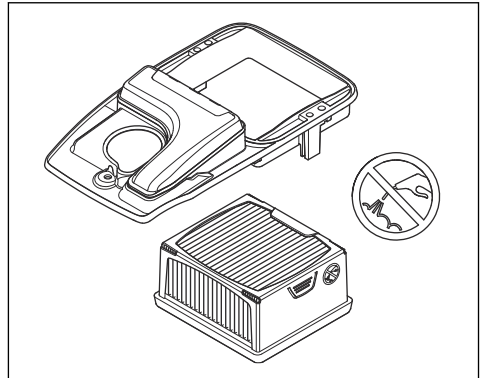


**ACHTUNG:** Beim Filterwechsel kann gesundheitsschädlicher Staub verteilt werden. Tragen Sie einen zugelassenen Atemschutz. Entsorgen Sie Filter ordnungsgemäß.

**Hinweis:** Ersetzen Sie den Servicefilter nur, wenn er beschädigt ist.

**Hinweis:** Bei der Reinigung des Luftfilters darf keine Druckluft eingesetzt werden. Andernfalls könnte der Luftfilter beschädigt werden.

1. Lösen Sie die 3 Schrauben am Luftfilterdeckel.
2. Nehmen Sie den Luftfilterdeckel ab.



3. Lösen Sie die 2 Schrauben an der Luftfilterscheibe und entfernen Sie sie.
4. Bauen Sie den Luftfilter aus.
5. Bauen Sie den neuen Luftfilter ein.
6. Tauschen Sie die Luftfilterscheibe aus.
7. Ziehen Sie die 2 Schrauben an.
8. Tauschen Sie den Luftfilterdeckel aus.
9. Ziehen Sie die 3 Schrauben an.

# Fehlerbehebung

## Problemlösung

der Stoppschalter in der Stopp-Position steht, bevor Sie Wartung und Fehlersuche durchführen, es sei denn, in den Anweisungen steht etwas Anderes.



**WARNUNG:** Stellen Sie sicher, dass der Motor ausgeschaltet ist und

Störung	Ursache	Mögliche Abhilfe
Das Gerät springt nicht an.	Der Startvorgang wird nicht ordnungsgemäß durchgeführt.	Siehe <i>Gerät bei kaltem Motor starten auf Seite 51</i> und <i>Gerät bei warmem Motor starten auf Seite 52</i> .
	Der Stoppschalter ist in der rechten Stellung (STOP).	Sicherstellen, dass sich der Stoppschalter (STOP) in linker Stellung befindet.
	Kein Kraftstoff im Kraftstofftank.	Füllen Sie Kraftstoff ein.
	Die Zündkerze ist defekt.	Tauschen Sie die Zündkerze aus.
	Die Kupplung ist defekt.	Wenden Sie sich an Ihre Service-werkstatt.
Die Trennscheibe dreht sich im Leerlauf.	Die Motordrehzahl ist zu hoch.	Stellen Sie die Leerlaufdrehzahl ein.
	Die Kupplung ist defekt.	Wenden Sie sich an Ihre Service-werkstatt.
Die Trennscheibe dreht sich nicht, wenn der Bediener Gas gibt.	Der Riemen ist zu locker oder defekt.	Spannen Sie den Riemen oder ersetzen Sie ihn durch einen neuen.
	Die Kupplung ist defekt.	Wenden Sie sich an Ihre Service-werkstatt.
	Die Trennscheibe ist falsch eingebaut.	Stellen Sie sicher, dass die Trennscheibe richtig eingebaut ist.
Das Gerät hat keine Energie, wenn der Bediener versucht, Gas zu geben.	Der Luftfilter ist verstopft.	Überprüfen Sie den Luftfilter. Tauschen Sie diesen ggf. aus.
	Der Kraftstofffilter ist verstopft.	Tauschen Sie den Kraftstofffilter aus.
	Der Kraftstofftankfluss ist blockiert.	Wenden Sie sich an Ihre Service-werkstatt.
Die Vibrationen sind zu stark.	Die Trennscheibe ist falsch eingebaut.	Stellen Sie sicher, dass die Trennscheibe ordnungsgemäß eingebaut und unbeschädigt ist. Siehe <i>Korrekte Trennscheiben auf Seite 45</i> .
	Die Trennscheibe ist defekt.	Entfernen Sie die Trennscheibe und stellen Sie sicher, dass sie nicht defekt ist.
	Eine Antivibrationseinheit ist defekt.	Wenden Sie sich an Ihre Service-werkstatt.

Störung	Ursache	Mögliche Abhilfe
Die Temperatur des Geräts ist zu hoch.	Der Lufteinlass oder die Flansche, die die Temperatur verringern, werden blockiert.	Reinigen Sie den Lufteinlass und die Flansche, die die Temperatur verringern.
	Der Riemen bewegt sich.	Prüfen Sie den Riemen. Stellen Sie die Spannung ein.
	Die Kupplung ist defekt.	Immer mit voll geöffneter Gaszufuhr arbeiten.
Prüfen Sie die Kupplung. Wenden Sie sich an Ihre Servicewerkstatt.		
Die Leistung oder die Drehzahl des Motors verringert sich.	Der Luftfilter ist verstopft.	Überprüfen Sie den Vergaser. Siehe <i>Vergaser überprüfen auf Seite 58</i>
Der Staub wird beim Schneiden nicht ordnungsgemäß gesammelt.	Falsche Schnitttechnik.	Siehe <i>Grundlegende Arbeitstechnik auf Seite 48</i> .
	Der angebaute Staubabsauger saugt keinen Staub an.	Siehe Bedienungsanleitung des Staubabsaugers.
Die Klingenschutzverlängerung und der Staubschutz bewegen sich nicht frei.  Die Klingenschutzverlängerung und der Staubschutz bewegen sich nicht zurück, wenn das Gerät vom Werkstück entfernt wird.	Die beweglichen Teile der Klingenschutzverlängerung und des Staubschutzes sind verstopft.	Reinigen Sie die beweglichen Teile.
	Die Federn der Klingenschutzverlängerung und des Staubabsaugers funktionieren nicht ordnungsgemäß.	Führen Sie eine Überprüfung der Federn durch. Reinigen Sie die Federn.

## Transport, Lagerung und Entsorgung

### Transport und Lagerung

- Sichern Sie das Gerät während des Transports, um Schäden und Unfälle zu vermeiden.
- Entfernen Sie die Trennscheibe vor dem Transportieren oder Lagern des Geräts.
- Bewahren Sie das Gerät in einem verschlossenen Bereich auf, um einen unerlaubten Zugriff durch Kinder oder andere Personen zu verhindern.
- Lagern Sie die Trennscheiben trocken und frostgeschützt.
- Untersuchen Sie alle neuen und gebrauchten Trennscheiben vor der Montage auf Transport- und Lagerschäden.
- Reinigen und warten Sie das Gerät vor der Lagerung. Siehe *Wartungsplan auf Seite 54*.
- Leeren Sie den Kraftstofftank vor langer Lagerung.

- Entsorgen Sie alle Chemikalien, z. B. Motoröl oder Kraftstoff, in einer Servicewerkstatt oder in einer geeigneten Abfallentsorgungsstelle.
- Wenn Sie das Produkt nicht mehr benutzen, schicken Sie es an einen HUSQVARNA-Händler, oder entsorgen Sie es in einer Wiederverwertungsanlage.



### Entsorgung

- Befolgen Sie die örtlichen Recyclinganforderungen und geltenden Vorschriften.

## Technische Daten

### Technische Daten

<b>K 770 VAC</b>	
Hubraum, cm <sup>3</sup> (Kubikzoll)	74 (4,5)
Bohrung, mm (Zoll)	51 (2)
Hub, mm (Zoll)	36 (1,4)
Leerlaufdrehzahl, U/min	2700
Weit offener Gashebel, keine Last, U/min	9300 (+/-150)
Leistung, kW (PS) bei U/min	3,7 (5,0 ) bei 9000
Zündkerze	NGK BPMR 7A
Elektrodenabstand, mm (Zoll)	0,5 (0,02)
Füllmenge Kraftstofftank, l (US fl oz)	0,9 (30)
Gewicht, ohne Kraftstoff und Trennscheibe, kg (lb)	11 (24,3)
<b>Spindel, Abtriebswelle</b>	
Max. Spindeldrehzahl, U/min	2600
Max. Umfangsgeschwindigkeit m/s (ft/min)	50 (10.000)
<b>Geräuschemissionen <sup>6</sup></b>	
Schalleistungspegel, gemessen dB (A)	112
Schalleistungspegel, garantiert L <sub>WA</sub> dB (A)	115
<b>Schallpegel <sup>7</sup></b>	
Äquivalenter Schalldruckpegel am Ohr des Bedieners, dB (A)	98
<b>Äquivalente Vibrationspegel, a<sub>hveq</sub> <sup>8</sup></b>	
Vorderer Handgriff, m/s <sup>2</sup>	4,0
Hinterer Handgriff, m/s <sup>2</sup>	2,8
<b>Abgasemissionen (CO2 EU V) <sup>9</sup></b>	

<sup>6</sup> Umweltbelastende Geräuschemission werden gemessen als Schalleistung (L<sub>WA</sub>) gemäß Richtlinie 2000/14/EC. Die Differenz zwischen garantiertem und gemessenem Schalleistungspegel besteht darin, dass beim garantierten Schalleistungspegel eine Streuung im Messergebnis und Variationen zwischen verschiedenen Einheiten des gleichen Geräts gemäß der Richtlinie 2000/14/EC berücksichtigt werden.

<sup>7</sup> Äquivalenter Schalldruckpegel, wird nach EN ISO-Norm ISO 19432-1 berechnet als die zeitgewichtete energetische Summe der Schalldruckpegel bei verschiedenen Betriebsarten. Aufgezeichnete Daten für den äquivalenten Schalldruckpegel des Geräts haben eine Standardabweichung von 1 dB (A).

<sup>8</sup> Äquivalenter Vibrationspegel wird nach der EN ISO-Norm ISO 19432-1 berechnet als die zeitgewichtete energetische Summe der Vibrationspegel bei verschiedenen Betriebsarten. Aufgezeichnete Daten für den äquivalenten Vibrationspegel haben eine Standardabweichung von 1m/s<sup>2</sup>.

<sup>9</sup> Diese CO2-Messung ist das Ergebnis der Erprobung eines für den Motortyp bzw. die Motorenfamilie repräsentativen (Stamm-)Motors in einem festen Prüfzyklus unter Laborbedingungen und stellt keine ausdrückliche oder implizite Garantie der Leistung eines bestimmten Motors dar.

<b>K 770 VAC</b>	
Zweitaktmotor	711 g/kWh

<b>Empfohlener Staubabsauger <sup>10</sup></b>	
Min. Luftstrom, m <sup>3</sup> /h (CFM)	400 (236)
Min. Vakuum, kPa (psi)	22 (3,6)
Min. Wasserhub, m (Zoll)	2,3 (90)
Staubabsauger-Ausrüstung, mm (Zoll)	50 (2)

### Empfohlene Diamant-Trennscheibe, Spezifikation

Durchmesser der Trennscheibe, mm	Max. Schnitttiefe, mm	Scheibendrehzahl, U/min	Max. Umfangsgeschwindigkeit, m/s	Durchmesser der Scheiben-Mittelbohrung, mm	Max. Trennscheibendicke, mm
300	122	6200	100	25,4 oder 20	4

<sup>10</sup> Technische Daten für Staubabsauger beschreiben nicht abschließend die tatsächliche Leistung im Zeitverlauf zwischen verschiedenen Staubabsaugern. Für HUSQVARNA Geräte OSHA stehen objektive Daten unter [www.husqvarnacp.com/us](http://www.husqvarnacp.com/us) zur Verfügung

# Konformitätserklärung

## EU-Konformitätserklärung

Die **Husqvarna AB**, SE-561 82 Huskvarna, Schweden,  
Tel.: +46-36-146500, erklärt in alleiniger Verantwortung,  
dass das Gerät:

<b>Beschreibung</b>	<b>Tragbare Schneidmaschine</b>
<b>Marke</b>	HUSQVARNA
<b>Typ/Modell</b>	K 770 VAC
<b>Identifizierung</b>	Seriennummern ab 2022

die folgenden EU-Richtlinien und -Verordnungen erfüllt:

<b>Richtlinie/Verordnung</b>	<b>Beschreibung</b>
2006/42/EC	„Maschinenrichtlinie“
2000/14/EC	„bezüglich Richtlinie über umweltbelastende Geräuschemissionen“
2014/30/EU	„EMV-Richtlinie“
2011/65/EU	„Richtlinie zur Beschränkung der Verwendung bestimmter gefährlicher Stoffe“

und dass die folgenden harmonisierten Normen und/  
oder technischen Daten angewendet werden;

EN ISO 12100:2010, EN ISO 19432-1:2020, EN  
55012:2008+A1:2009, EN ISO 14982:2009, EN IEC  
63000:2018

Konformitätsbewertungsverfahren gemäß 2000/14/EC:  
Anhang V. Informationen zu Geräuschemissionen finden  
Sie unter *Technische Daten auf Seite 62*.

SMP Svensk Maskinprovning AB hat eine freiwillige  
Typenprüfung gemäß Anhang V der Richtlinie des Rates  
2000/14/EC durchgeführt.

Partille, 2022-04-20



Erik Silfverberg

Leiter F&E-Abteilung, Ausrüstung zum Sägen und  
Bohren von Beton

Husqvarna AB, Construction Division

Verantwortlich für die technische Dokumentation





# Sommaire

Introduction.....	65	Dépannage.....	92
Sécurité.....	68	Transport, entreposage et mise au rebut.....	94
Montage.....	77	Caractéristiques techniques.....	95
Utilisation.....	80	Déclaration de conformité.....	97
Entretien.....	86		

# Introduction

## Description du produit

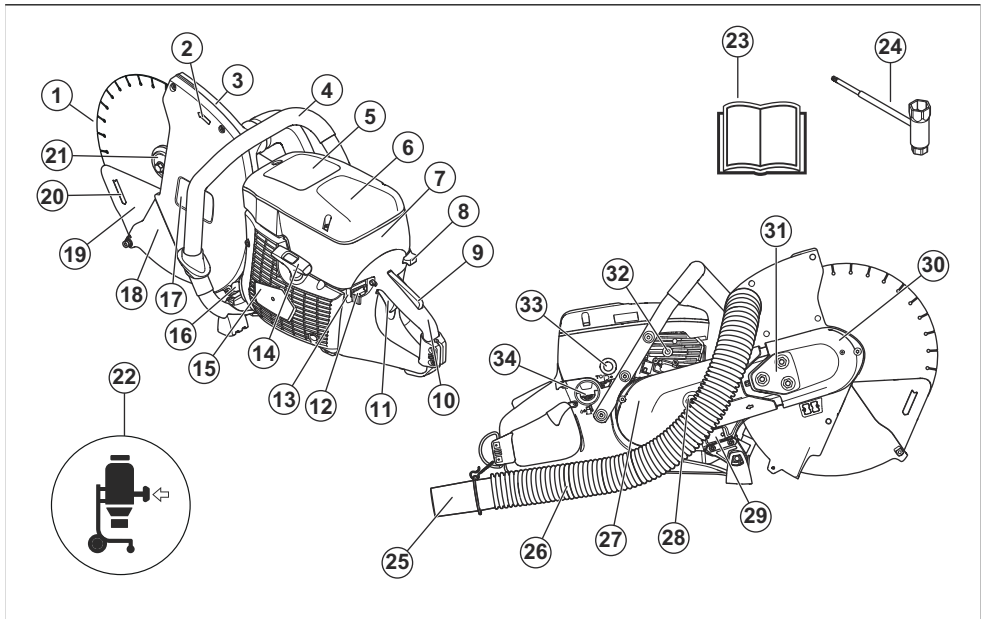
Cette découpeuse HUSQVARNA est une machine de coupe portative alimentée par un moteur à combustion deux temps. Le produit est équipé d'un protège-lame, d'une extension de protège-lame et d'une protection anti-poussière qui récupère les particules et les étincelles pour les tenir à distance de l'utilisateur. Le produit fonctionne avec un extracteur de poussière externe.

## Utilisation prévue

Le produit est utilisé pour découper des matériaux durs comme le béton, la brique et la pierre. N'utilisez pas ce produit pour d'autres travaux. Le produit doit être utilisé uniquement par des opérateurs professionnels ayant de l'expérience.

**Remarque:** La législation nationale peut imposer des limites à l'utilisation du produit.

## Présentation du produit K 770 VAC



- |                                |  |
|--------------------------------|--|
| 1. lame de coupe (non fournie) | 7. Autocollant des instructions de démarrage |
| 2. Sens de rotation            | 8. Starter                                   |
| 3. Protège-lame                | 9. Blocage de la gâchette d'accélération     |
| 4. Poignée avant               | 10. Poignée arrière                          |
| 5. Autocollant d'avertissement | 11. Gâchette d'accélération                  |
| 6. Couverture de filtre à air  | 12. Bouton d'arrêt                           |

13. Fonction de déconnexion pour OilGuard
14. Poignée du démarreur
15. Corps du lanceur
16. Silencieux
17. Autocollant de l'équipement de coupe
18. Extension du protège-lame
19. Écran anti-poussière
20. Sens de coupe
21. Bride, tige, bague
22. Extracteur de poussière (non fourni)
23. Manuel de l'opérateur
24. Clé universelle
25. Accessoire de fixation de l'extracteur de poussière
26. Tuyau
27. Carter de courroie arrière
28. Tendeur de courroie
29. Plaque d'identification
30. Carter de courroie avant
31. Vis de blocage pour le réglage de la courroie
32. Vis de tendeur de chaîne
33. Poire de la pompe à carburant
34. Bouchon du réservoir de carburant

## Symboles concernant le produit



AVERTISSEMENT ! Utilisé de manière imprudente ou inadéquate, le produit peut devenir un outil dangereux, pouvant causer des blessures graves, voire mortelles à l'opérateur ou à d'autres personnes présentes.



Lisez le manuel d'utilisation et assurez-vous de bien comprendre les instructions avant d'utiliser ce produit.



Portez toujours un équipement de protection individuel homologué. Reportez-vous à *Équipement de protection individuel* à la page 69.



Ce produit est conforme aux directives de l'UE en vigueur.



AVERTISSEMENT ! Lors de la découpe, la poussière générée peut occasionner des blessures si elle est aspirée. Utilisez une protection respiratoire approuvée. Évitez d'inhaler les gaz d'échappement. Veillez à disposer d'une bonne ventilation.



AVERTISSEMENT ! Les rebonds peuvent être soudains, rapides et violents et peuvent générer des blessures pouvant être mortelles. Lisez et assimilez les instructions du manuel avant d'utiliser le

produit. Reportez-vous à *Rebond* à la page 73.



AVERTISSEMENT ! Les étincelles de la lame de coupe peuvent provoquer un incendie en cas de contact avec des matières inflammables telles que l'essence, le bois, les vêtements, l'herbe sèche, etc.



AVERTISSEMENT ! Vérifiez que les lames ne comportent ni fissures ni autre dommage.



AVERTISSEMENT ! N'utilisez pas de disques d'éclaircissage.



AVERTISSEMENT ! N'utilisez pas de lames à abrasif aggloméré.



AVERTISSEMENT ! Pour les coupes à sec uniquement.



Utilisez des lames diamantées uniquement.



Starter



Poire de la pompe à carburant



Vanne de décompression



Poignée du câble du démarreur



Utilisez un carburant à base d'essence et d'huile.

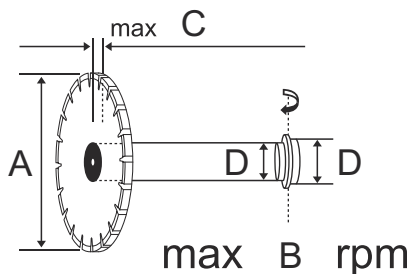


Branchez un extracteur de poussière externe sur le produit. Pour connaître les spécifications requises, reportez-vous à *Caractéristiques techniques* à la page 95.



Étiquette relative aux émissions sonores dans l'environnement, conformément aux directives et réglementations de l'UE et du Royaume-Uni. Le niveau de puissance sonore garanti du produit est spécifié à la section *Caractéristiques techniques* à la page 95 et sur l'étiquette.

## Autocollant de l'équipement de coupe



R : Diamètre de la lame de coupe.

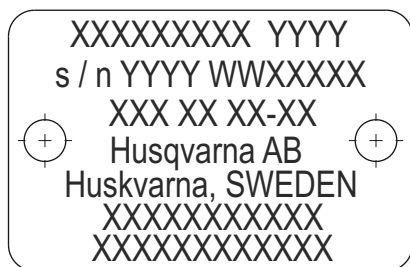
B : Vitesse maximale du moteur.

C : Épaisseur maximale des lames.

D : Dimensions de la bague.

**Remarque:** Les autres symboles/autocollants présents sur le produit concernent des exigences de certification spécifiques à certains marchés.

## Plaque signalétique



Rangée 1 : Marque, modèle (X, Y)

Rangée 2 : N° de série avec date de fabrication (Y, W, X) : année, semaine, n° de séquence

Rangée 3 : N° de produit (X)

Rangée 4 : fabricant

Rangée 5 : Adresse du fabricant

Lignes 6–7 : Le cas échéant, numéro d'homologation de type UE ou numéro MEIN chinois

## Émissions Euro V



**AVERTISSEMENT:** toute altération du moteur a pour effet d'annuler l'homologation de type UE de ce produit.

## Endommagement du produit

Nous ne sommes pas responsables des dommages subis par le produit si :

- le produit n'est pas correctement réparé ;
- le produit est réparé avec des pièces qui ne proviennent pas du fabricant ou qui ne sont pas homologuées par le fabricant ;
- le produit est équipé d'un accessoire qui ne provient pas du fabricant ou qui n'est pas homologué par le fabricant ;
- le produit n'est pas réparé par un centre d'entretien agréé ou par une autorité homologuée.

## Définitions de sécurité

Des avertissements, des recommandations et des remarques sont utilisés pour souligner des parties spécialement importantes du manuel.



**AVERTISSEMENT:** Symbole utilisé en cas de risque de blessures ou de mort pour l'opérateur ou les personnes à proximité si les instructions du manuel ne sont pas respectées.



**REMARQUE:** Symbole utilisé en cas de risque de dommages pour le produit, d'autres matériaux ou les environs si les instructions du manuel ne sont pas respectées.

**Remarque:** Symbole utilisé pour donner des informations supplémentaires pour une situation donnée.

## Instructions générales de sécurité



**AVERTISSEMENT:** Lisez les instructions qui suivent avant d'utiliser le produit.

- Une découpeuse utilisée de manière erronée ou négligente peut être un outil dangereux pouvant occasionner des blessures graves, voire mortelles. Il importe donc de lire attentivement et de bien assimiler le contenu de ce manuel d'utilisation. Il est recommandé aux nouveaux opérateurs d'obtenir également des instructions pratiques avant d'utiliser la machine.
- Ne modifiez jamais le produit sans l'autorisation du fabricant. N'utilisez pas un produit qui semble avoir été modifié par un tiers et utilisez toujours des accessoires d'origine. Des modifications non autorisées et l'emploi d'accessoires non homologués peuvent provoquer des accidents graves, voire mortels, à l'utilisateur ou d'autres personnes.
- Maintenez le produit propre. Les avertissements et les autocollants doivent être parfaitement lisibles.
- Ne laissez jamais d'enfants ou d'autres personnes ne possédant pas la formation requise utiliser ou entretenir le produit.
- Ne laissez personne utiliser le produit avant d'avoir lu et compris le contenu du manuel de l'opérateur.
- À long terme, l'inhalation de gaz d'échappement dégagés par le moteur peut constituer un danger pour la santé. Lorsque le moteur tourne, l'échappement contient des produits

chimiques comme des hydrocarbures non brûlés et du monoxyde de carbone. Le contenu des gaz d'échappement est connu pour causer des problèmes respiratoires, des cancers, des malformations congénitales ou d'autres problèmes liés à la reproduction.

Le monoxyde de carbone est incolore et insipide, mais il est toujours présent dans les gaz d'échappement. Le début de l'empoisonnement au monoxyde de carbone se caractérise par de légers vertiges qui peuvent ou non être reconnus par la victime. Une personne peut s'effondrer ou perdre connaissance sans aucun avertissement si la concentration en monoxyde de carbone est suffisamment élevée. Comme le monoxyde de carbone est incolore et inodore, sa présence peut ne pas être détectée. Dès que des odeurs d'échappement sont perçues, le monoxyde de carbone est présent. N'utilisez jamais une découpeuse à essence à l'intérieur, dans des tranchées profondes de plus de 1 mètre (3 pieds) ou dans toute autre zone mal ventilée. Veillez à disposer d'une ventilation adaptée en cas de travail dans des tranchées ou d'autres espaces confinés.

- Ce produit génère un champ électromagnétique durant son fonctionnement. Ce champ peut dans certaines circonstances perturber le fonctionnement d'implants médicaux actifs ou passifs. Pour réduire le risque de blessures graves ou mortelles, les personnes portant des implants médicaux doivent consulter leur médecin et le fabricant de leur implant avant d'utiliser cet appareil.
- Les informations contenues dans ce manuel d'utilisation ne remplacent pas l'expérience et le savoir-faire d'un professionnel. En cas de doute ou de difficulté quant à l'utilisation de la machine, consultez un spécialiste. Contactez votre atelier d'entretien. L'utilisateur doit éviter d'utiliser la machine s'il ne se sent pas suffisamment qualifié pour le travail à effectuer !

## Consignes de sécurité pour l'assemblage



**AVERTISSEMENT:** Lisez les instructions et les mises en garde qui suivent avant d'assembler le produit.

- Vérifiez que le moteur est coupé et que le bouton d'arrêt est en position STOP.
- Portez toujours des gants de protection lorsque vous montez la chaîne.

## Consignes de sécurité pour le fonctionnement



**AVERTISSEMENT:** Lisez les instructions qui suivent avant d'utiliser le produit.

- Avant d'utiliser la découpeuse, il convient de comprendre le phénomène de rebond et de savoir comment l'éviter. Reportez-vous à la section *Rebond à la page 73*.
- N'utilisez jamais un produit qui n'est pas en parfait état de marche. Appliquez les instructions de maintenance et d'entretien ainsi que les contrôles de sécurité indiqués dans ce manuel d'utilisation. Certaines opérations de maintenance et d'entretien doivent être réalisées par un spécialiste dûment formé et qualifié. Reportez-vous à la section *Entretien à la page 86*.
- N'utilisez jamais le produit si vous êtes fatigué, avez consommé de l'alcool ou pris des médicaments susceptibles d'affecter votre vue, votre jugement ou la maîtrise de votre corps.
- Ne démarrez pas la machine sans avoir monté la courroie et le carter de la courroie. L'embrayage peut se desserrer et causer des blessures.
- Les étincelles provoquées par la lame de coupe peuvent embraser les matériaux inflammables tels que l'essence, le bois, le tissu et l'herbe sèche.
- N'utilisez jamais une lame de coupe avec un matériau différent de celui pour lequel elle est conçue.
- Ne découpez pas d'amiante.

### Sécurité dans l'espace de travail



**AVERTISSEMENT:** Lisez les instructions qui suivent avant d'utiliser le produit.

- La distance de sécurité de la découpeuse est de 15 mètres (50 pieds). Il incombe à l'utilisateur de s'assurer qu'aucun animal et qu'aucun spectateur ne se trouve à l'intérieur de la zone de travail. Ne pas commencer la découpe sans avoir le champ libre et les pieds bien daplomb.
- Observez la zone environnante et assurez-vous qu'aucun facteur ne risque d'affecter votre contrôle du produit.
- Assurez-vous qu'aucune personne ou qu'aucun objet ne peut se trouver en contact avec l'équipement de coupe ou être touché par des pièces projetées par la lame.
- N'utilisez pas le produit par mauvais temps, tel qu'en cas de brouillard épais, de pluie diluvienne, de vent violent, de froid intense, etc. Travailler par mauvais temps est fatigant et peut créer des conditions de travail dangereuses comme des surfaces glissantes.

- Ne commencez jamais à travailler avec le produit sans avoir le champ libre et les pieds bien daplomb. Identifier les obstacles éventuels dans le cas de déplacement inattendu.
- Assurez-vous qu'aucun matériau ne risque de se desserrer et de tomber, ni de blesser l'opérateur. Observez la plus grande prudence lors de travail sur des terrains en pente.
- S'assurer que l'éclairage de la zone de travail est suffisant pour que l'environnement de travail soit de toute sécurité.
- Assurez-vous qu'aucun tuyau ou câble électrique ne passe par la zone de travail ou dans le matériau à découper.
- En cas de découpe dans un conteneur (bidon, tube ou autre conteneur), vous devez au préalable vous assurer qu'il ne contient pas de matières inflammables ou volatiles.

### Équipement de protection individuel



**AVERTISSEMENT:** Lisez les instructions qui suivent avant d'utiliser le produit.

- Portez toujours un équipement de protection individuel homologué pendant le fonctionnement. L'équipement de protection individuelle n'élimine pas les risques mais réduit la gravité des blessures en cas d'accident. Demandez conseil à votre atelier d'entretien afin de choisir un équipement adéquat.
- Utilisez un casque de protection homologué.
- Utilisez des protège-oreilles agréés. Une exposition prolongée au bruit risque de causer des lésions auditives permanentes. Soyez attentif aux signaux ou cris d'avertissement lorsque vous portez des protège-oreilles. Enlevez toujours vos protège-oreilles dès que le moteur s'arrête.
- Portez des lunettes de protection approuvées afin de réduire le risque de blessures provoquées par des objets projetés. L'utilisation d'un écran facial doit toujours s'accompagner du port de lunettes de protection homologuées. Par lunettes de protection homologuées, on entend celles qui sont en conformité avec les normes ANSI Z87.1 (États-Unis) ou EN 166 (pays de l'UE). La visière doit être conforme à la norme EN 1731.
- Utilisez des gants de travail épais.
- Portez une protection respiratoire homologuée. L'utilisation de produits tels que les fraises, les meuleuses ou les foreuses pour poncer ou découper un matériau peut produire de la poussière et des vapeurs susceptibles de contenir des substances chimiques dangereuses. Vérifiez la nature du matériau que vous souhaitez travailler et utilisez un masque respiratoire approprié.
- Portez des vêtements confortables, robustes et serrés qui permettent une liberté totale de mouvement. La découpe crée des étincelles qui peuvent enflammer les vêtements. HUSQVARNA

vous recommande de porter du coton ignifugé ou du denim épais. Ne portez pas de vêtements composés de matières comme le nylon, le polyester ou la rayonne. Si elles s'enflamment, ces matières peuvent fondre et adhérer à la peau. Ne portez pas de short.

- Utilisez des bottes avec embouts en acier et semelle antidérapante.
- Ayez toujours une trousse de premiers secours à portée de mains.



- Des étincelles peuvent être projetées par le silencieux ou la lame de coupe. Ayez toujours un extincteur à portée de mains.

### Dispositifs de sécurité sur le produit

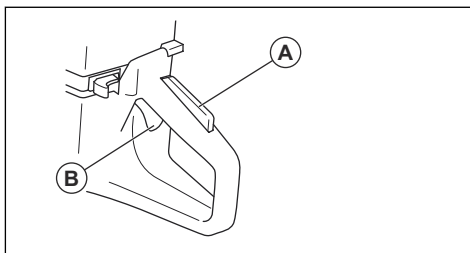


**AVERTISSEMENT:** lisez les instructions qui suivent avant d'utiliser le produit.

- N'utilisez jamais un produit dont les équipements de sécurité sont défectueux ! Si votre produit échoue à l'un des contrôles auxquels il est soumis, confiez-le à un atelier spécialisé.
- N'utilisez pas le produit si des plaques de protection, des couvercles de protection, des interrupteurs de sécurité ou d'autres dispositifs de protection ne sont pas fixés ou sont endommagés.

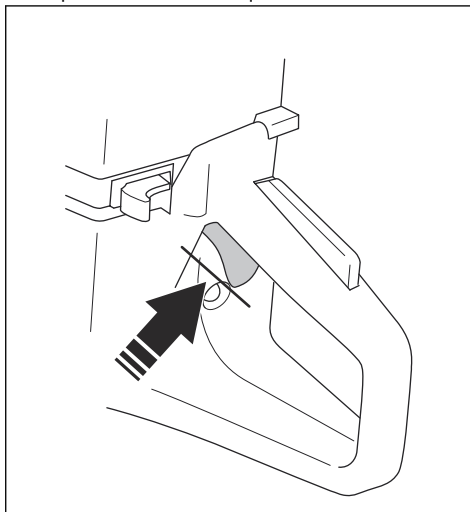
### Blocage de la gâchette d'accélération

Le blocage de la gâchette d'accélération empêche toute activation accidentelle de cette dernière. Placez votre main dans la poignée et appuyez sur le blocage de la gâchette d'accélération (A) pour libérer la gâchette (B). Relâchez la poignée pour remettre la gâchette d'accélération et son blocage en position initiale. Cette fonction bloque la gâchette d'accélération au régime de ralenti.

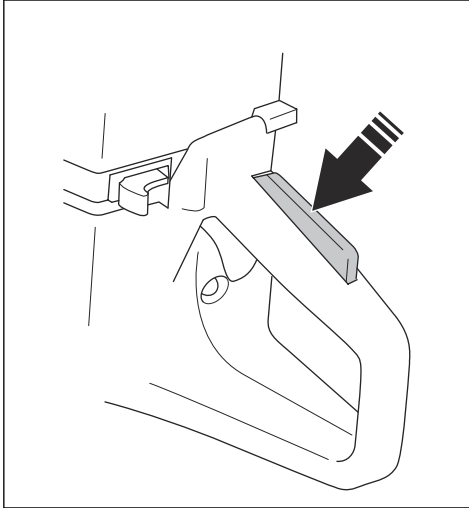


### Pour examiner le blocage de la gâchette d'accélération

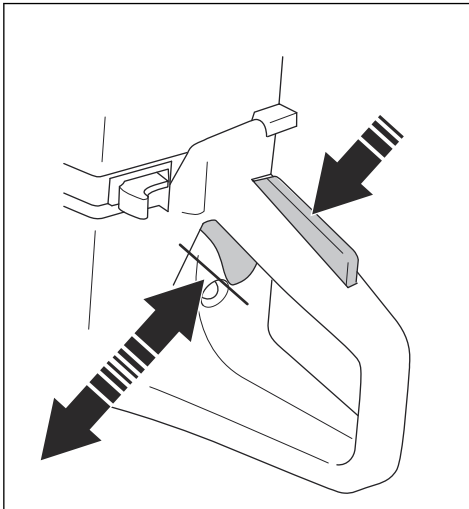
1. Vérifiez que la gâchette d'accélération est bloquée en position de ralenti lorsqu'elle est déverrouillée.



2. Appuyez sur le blocage de la gâchette d'accélération et assurez-vous qu'il retourne à sa position initiale lorsque vous le relâchez.

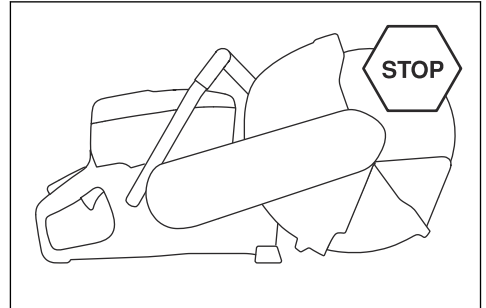


3. Assurez-vous que la gâchette d'accélération et son blocage se déplacent librement et que les ressorts de rappel fonctionnent correctement.



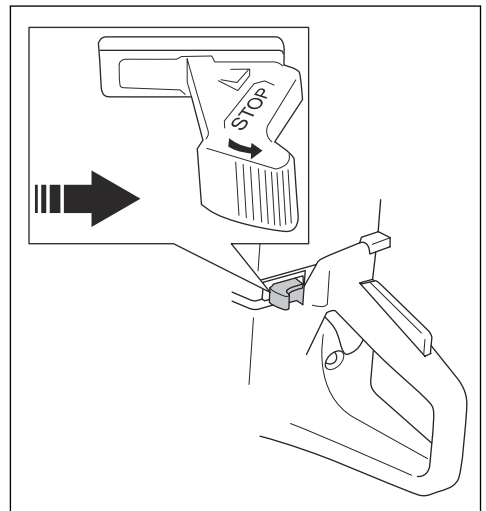
4. Démarrez le produit et faites-le fonctionner à plein régime.

5. Relâchez la gâchette d'accélération et vérifiez que la lame de coupe s'arrête et reste immobile. Si la lame de coupe tourne au ralenti, vous devez régler le ralenti. Reportez-vous à la section *Pour régler le régime de ralenti à la page 91*.



#### Pour examiner le bouton d'arrêt

1. Démarrez le moteur.
2. Mettez l'interrupteur marche/arrêt en position ARRÊT. Le moteur doit s'arrêter.

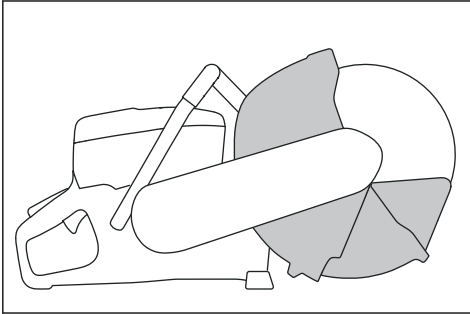


#### Protège-lame, extension de protège-lame et protection anti-poussière

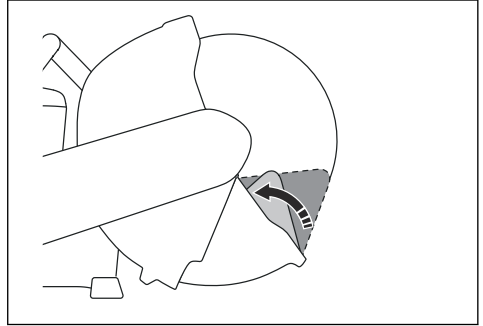


**AVERTISSEMENT:** Assurez-vous que le protège-lame, l'extension du protège-lame et la protection anti-poussière sont bien fixés avant de démarrer le produit. N'utilisez pas ce produit si le protège-lame, l'extension du protège-lame ou la protection anti-poussière sont absents, fissurés ou défectueux.

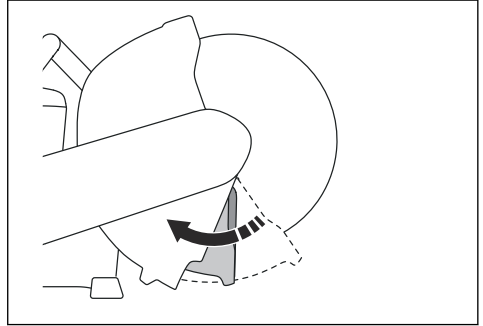
- Le protège-lame, l'extension du protège-lame et la protection anti-poussière tiennent la poussière à distance de l'opérateur et évitent les blessures si la lame de coupe se casse. L'extension du protège-lame et la protection anti-poussière sont équipés d'un ressort et doivent toujours se déplacer librement et revenir instantanément en position par la force du ressort.
- N'utilisez pas ce produit si l'extension du protège-lame ou la protection anti-poussière est bloquée ou coincée dans la position rétractée.



3. Assurez-vous que la protection anti-poussière peut être enfoncée et revient en position instantanément par la force du ressort.



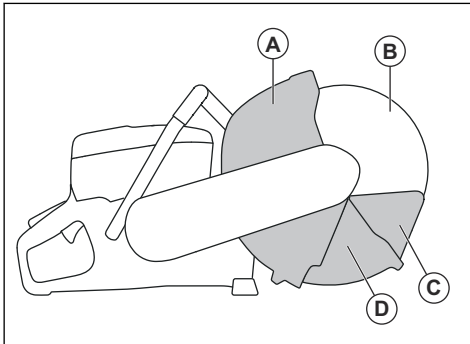
4. Assurez-vous que le protège-lame peut être enfoncé et que le ressort le ramène instantanément en position.



5. Remplacez la lame de coupe et le protège-lame s'ils sont endommagés. Remplacez l'extension du protège-lame, la protection anti-poussière ou leurs ressorts s'ils présentent des défauts importants et qu'ils ne reviennent pas instantanément en position lorsqu'ils sont enfoncés.

#### Inspection de la lame de coupe, du protège-lame et de l'extension du protège-lame

1. Vérifiez que la lame de coupe (B) fonctionne correctement et qu'elle n'est pas endommagée.



2. Vérifiez que le protège-lame (A), l'extension du protège-lame (D) et la protection anti-poussière (C) ne présentent pas de fissures ou d'autres dommages.

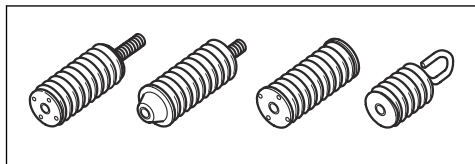
#### Système anti-vibrations



**AVERTISSEMENT:** une exposition excessive aux vibrations peut entraîner des troubles circulatoires ou nerveux chez les personnes sujettes à des troubles cardio-vasculaires. Consultez un médecin en cas de symptômes liés à une exposition excessive aux vibrations. De tels symptômes peuvent être : engourdissement, perte de sensibilité, chatouillements, picotements, douleur, faiblesse musculaire, décoloration ou modification épidermique. Ces symptômes affectent généralement les doigts, les mains ou les poignets. Ces symptômes peuvent être accentués par le froid.



Le produit est équipé d'un système anti-vibrations conçu pour assurer une utilisation aussi confortable que possible. Le système anti-vibrations du produit réduit la transmission des vibrations de l'unité moteur/l'équipement de coupe à l'unité que constituent les poignées.



Les vibrations sont plus fortes lorsque vous découpez du granit ou du béton dur que lorsque vous découpez du béton moins dense. Si la chaîne est mal affûtée ou défectueuse (type inadéquat ou affûtage défectueux), le taux de vibrations augmente.

### Pour contrôler le système anti-vibrations



**AVERTISSEMENT:** Vérifiez que le moteur est éteint et que le bouton d'arrêt est en position STOP.

1. Assurez-vous que les dispositifs anti-vibrations ne sont pas fissurés ni déformés. Remplacez le système d'amortissement des vibrations s'ils sont endommagés.
2. Assurez-vous que les dispositifs anti-vibrations sont fixés correctement sur le moteur et les poignées.

### Silencieux

Le silencieux est conçu pour réduire au maximum le niveau sonore et rejeter les gaz d'échappement loin de l'utilisateur.

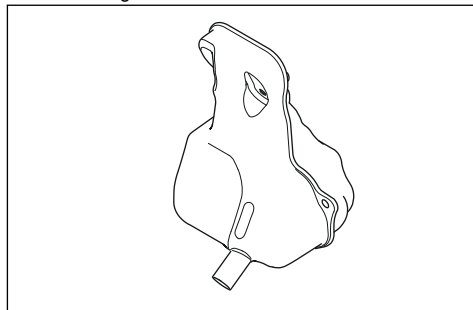
N'utilisez pas le produit si le silencieux est manquant ou défectueux. Un silencieux endommagé augmente le niveau sonore et le risque d'incendie.



**AVERTISSEMENT:** Le silencieux devient très chaud en cours d'utilisation et le reste après l'arrêt. Cela est également vrai au ralenti. Soyez très attentif aux risques d'incendie, surtout lorsque vous travaillez en présence de gaz et/ou de substances inflammables.

### Inspection du silencieux

1. Assurez-vous que le silencieux n'est pas endommagé.



2. Vérifiez que le silencieux est fixé correctement.

### Rebond



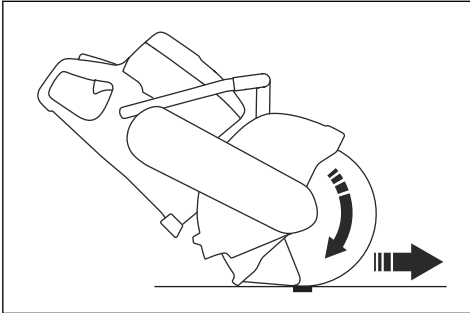
**AVERTISSEMENT:** Les rebonds sont soudains et peuvent être très violents. La découpeuse peut être éjectée vers le haut puis retomber en direction de l'utilisateur dans un mouvement de rotation qui peut causer des blessures sérieuses, voire mortelles. Il est indispensable de comprendre ce qui cause le rebond et de savoir comment l'éviter avant d'utiliser le produit.

Le rebond est un mouvement soudain vers le haut qui peut survenir si la lame se pince ou se coince dans la zone de rebond. La plupart des rebonds sont légers et présentent peu de dangers. Un rebond peut cependant être très violent et envoyer la découpeuse vers le haut puis la faire tomber en direction de l'utilisateur dans un mouvement de rotation pouvant causer des blessures sérieuses, voire mortelles.

### Force de réaction

Une force de réaction s'exerce toujours lors de la découpe. Cette force tire le produit dans le sens opposé à la rotation de la lame. La plupart du temps, cette force est insignifiante. Si la lame se pince ou se coince, la

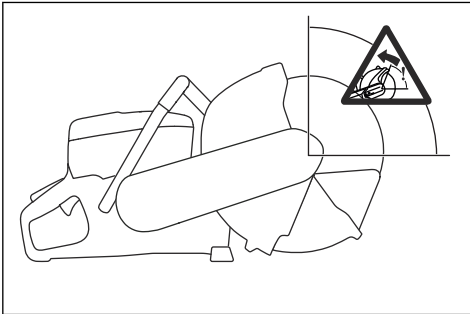
force de réaction sera forte et il est possible que vous perdiez le contrôle de la découpeuse.



Ne déplacez pas le produit quand l'équipement de coupe tourne. Les forces gyroscopiques peuvent entraver le mouvement prévu

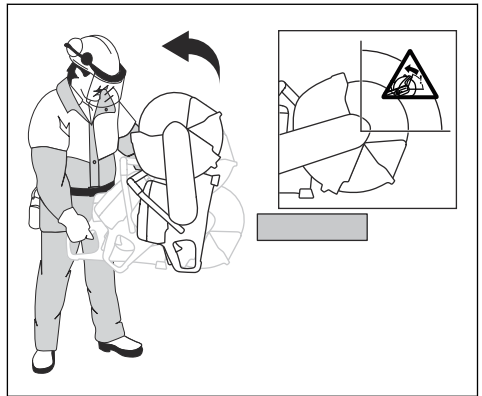
### Zone de rebond

N'utilisez jamais la zone de rebond du disque pour découper. Si la lame se pince ou se coince dans la zone de rebond, la force de réaction va pousser la découpeuse vers le haut, puis la faire retomber en direction de l'utilisateur dans un mouvement de rotation qui peut causer des blessures sérieuses, voire mortelles.



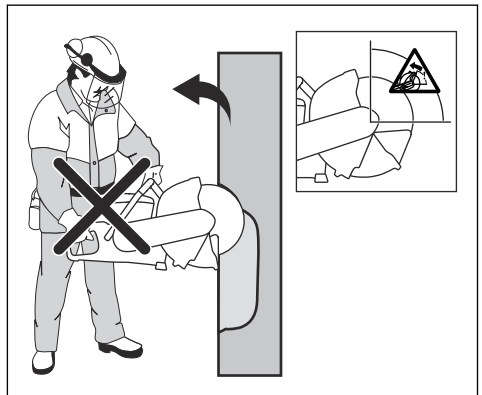
### Rebond rotationnel

Un rebond rotatif se produit lorsque la lame de coupe ne se déplace pas librement dans la zone de rebond.



### Rebond de grimpée

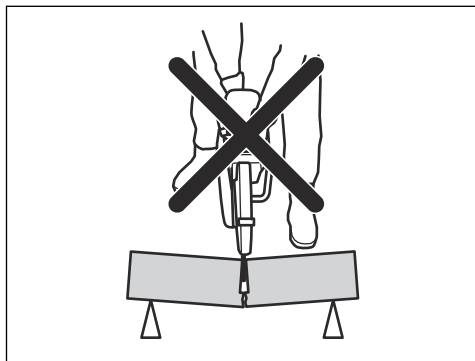
Si la zone de rebond est utilisée pour la découpe, la force de réaction entraîne une grimpée de la lame dans l'entaille. N'utilisez pas la zone de rebond. Utilisez le quart inférieur du disque pour éviter le rebond de grimpée.



### Rebond de pincement

Un pincement se produit quand l'entaille se referme et pince la lame. Si la lame se pince ou se coince, la force

de réaction sera forte et il est possible que vous perdiez le contrôle de la découpeuse.



Si la lame se pince ou se coince dans la zone de rebond, la force de réaction va pousser la découpeuse vers le haut, puis la faire retomber en direction de l'utilisateur dans un mouvement de rotation qui peut causer des blessures sérieuses, voire mortelles. Faites attention aux éventuels mouvements de la pièce à travailler. Si la pièce à travailler n'est pas correctement soutenue et qu'elle se décale lors de la découpe, elle risque de pincer la lame et d'entraîner un rebond.

### Coupe de tubes

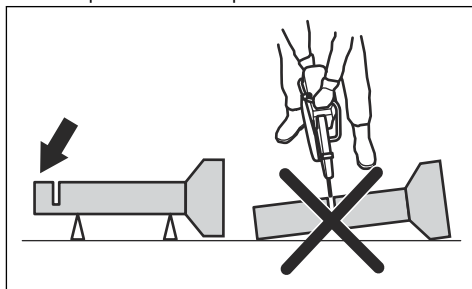


**AVERTISSEMENT:** Si la lame est coincée dans la zone de rebond, il en résultera un important rebond.

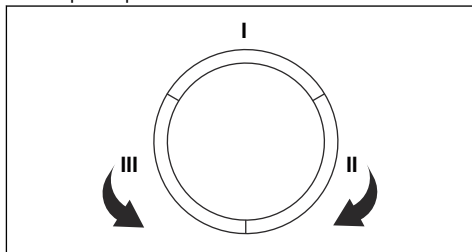
Faites particulièrement attention lorsque vous découpez des tubes. Si le tube n'est pas bien soutenu et que l'entaille n'est pas maintenue ouverte pendant la découpe, la lame risque d'être pincée. Faites particulièrement attention lors de la découpe d'un tuyau en tulipe ou d'un tuyau dans une tranchée qui, s'il n'est pas correctement soutenu, risque de pendre et de pincer la lame.

Si le tuyau peut pendre et fermer la coupe, la lame risque d'être pincée dans la zone de rebond et cela peut susciter un rebond important. Si le tuyau est correctement soutenu, l'extrémité du tuyau va descendre et la coupe va s'ouvrir sans aucun pincement.

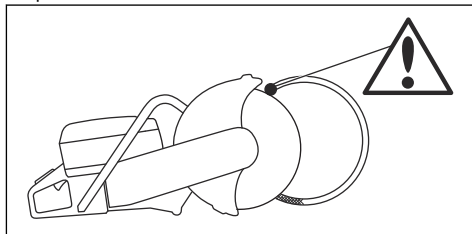
1. Fixez le tube de sorte qu'il ne puisse pas bouger ou rouler pendant la découpe.



2. Coupez la partie « I » du tube.



3. Assurez-vous que l'entaille s'ouvre afin d'éviter tout pincement.



4. Passez à la section II et découpez de la section I jusqu'au bas du tuyau.
5. Passez à la section III et découpez la partie restante du tuyau, en finissant en bas.

### Éviter un rebond



**AVERTISSEMENT:** Éviter les situations susceptibles de provoquer des rebonds. Soyez très vigilant lorsque vous utilisez votre découpeuse et assurez-vous que la lame n'est jamais coincée dans la zone de rebond.



**AVERTISSEMENT:** Faites attention lorsque vous introduisez la lame dans une entaille existante.

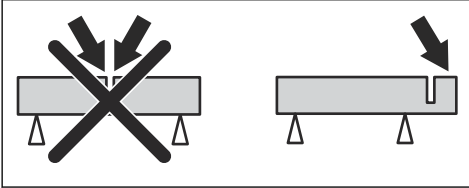


**AVERTISSEMENT:** Assurez-vous que la pièce à découper ne peut pas se déplacer lors de la découpe.



**AVERTISSEMENT:** La seule façon d'éviter les rebonds et le danger qu'ils représentent est de faire attention et d'utiliser une méthode de travail correcte.

- Veillez à toujours soutenir la pièce à usiner de sorte que l'entaille puisse rester ouverte lors de la découpe. Lorsque l'entaille est ouverte, aucun rebond ne se produit. Si l'entaille est refermée et pince la lame, il existe toujours un risque de rebond.



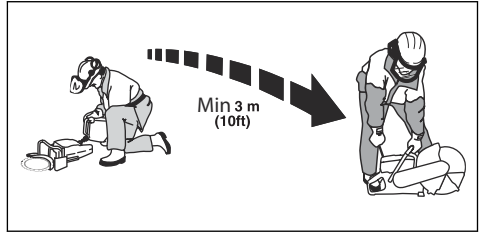
## Sécurité carburant



**AVERTISSEMENT:** Lisez les instructions qui suivent avant d'utiliser le produit.

- Veillez à une bonne aération lors du remplissage et du mélange de carburant (essence et huile deux temps).
- Manipulez le carburant avec précaution. Le carburant et les vapeurs de carburant sont extrêmement inflammables. Pensez au risque d'explosion, d'incendie ou d'empoisonnement.
- Ne fumez jamais ni ne placez d'objet chaud à proximité du carburant.
- Arrêtez le moteur et le laissez refroidir pendant quelques minutes avant de faire le plein.
- Ouvrez le bouchon du réservoir lentement pour laisser baisser la surpression pouvant régner dans le réservoir.
- Serrer soigneusement le bouchon du réservoir après le remplissage. Si le bouchon n'est pas serré correctement, il risque de s'ouvrir à cause des vibrations et du carburant peut alors s'échapper du réservoir de carburant, entraînant un risque d'incendie.
- Ne jamais effectuer le remplissage de la machine lorsque le moteur tourne.

- Positionnez toujours le produit à au moins 3 m (10 ft) de la zone et de la source du plein en carburant avant de le mettre en marche.



Après le remplissage, il existe quelques situations où vous ne devez jamais démarrer le produit :

- Si vous avez renversé de l'essence sur le produit. Essayez soigneusement toute trace et laissez les restes d'essence s'évaporer.
- Si vous avez renversé du carburant sur vous ou sur vos vêtements. Changez de vêtements et lavez les parties du corps qui ont été en contact avec le carburant. Utilisez de l'eau et du savon.
- En cas de fuite de carburant. Vérifiez régulièrement que le bouchon du réservoir et les conduites de carburant ne fuient pas.

## Consignes de sécurité pour l'entretien



**AVERTISSEMENT:** Lisez les instructions qui suivent avant d'utiliser le produit.

- Vérifiez que le moteur est éteint et que le bouton d'arrêt est en position STOP.
- Utilisez un équipement de protection personnelle. Reportez-vous à la section *Équipement de protection individuel* à la page 69.
- Si l'entretien n'est pas effectué correctement et régulièrement, le risque de blessures et d'endommagement du produit augmente.
- Effectuez uniquement les tâches d'entretien décrites dans le présent manuel de l'opérateur. Laissez un centre d'entretien homologué se charger de toutes les autres opérations d'entretien.
- Demandez à un HUSQVARNA atelier spécialisé d'effectuer régulièrement l'entretien du produit.
- Remplacez les pièces endommagées, usées ou cassées.
- Utilisez uniquement des accessoires d'origine.

---

# Montage

---

## Introduction



**AVERTISSEMENT:** Assurez-vous de lire et de comprendre le chapitre dédié à la sécurité avant de monter l'appareil.

## Disques de découpe



**AVERTISSEMENT:** Afin de limiter le risque de blessure ou d'incendie, n'utilisez pas de lames de coupes à abrasif aggloméré. Utilisez uniquement des lames de coupe diamantées recommandées avec la bride fournie.



**AVERTISSEMENT:** Un disque de coupe peut se briser et blesser gravement l'utilisateur.



**AVERTISSEMENT:** Le fabricant du disque découpeur émet des avertissements et des recommandations pour l'utilisation et l'entretien adéquats du disque. Ces avertissements sont fournis avec le disque découpeur. Lisez et respectez toutes les instructions fournies par le fabricant du disque découpeur.



**AVERTISSEMENT:** Le disque découpeur doit être vérifié avant d'être assemblé sur la scie, puis faire l'objet d'un contrôle fréquent en cours d'utilisation. Vérifiez l'absence de fissures, de segments perdus (lames diamant) ou de pièces cassées. N'utilisez pas de disque découpeur endommagé.

Les lames de coupe HUSQVARNA sont des lames à grande vitesse homologuées pour les découpeuses portables.

- Le disque découpeur doit être vérifié avant d'être assemblé sur la scie, puis faire l'objet d'un contrôle fréquent en cours d'utilisation. Vérifiez l'absence de fissures, de segments perdus (lames diamant) ou de pièces cassées. N'utilisez pas de disque découpeur endommagé.
- Lisez et respectez les instructions fournies avec la lame de coupe.
- Des disques découpeurs de haute qualité sont souvent plus économiques.
- Les disques découpeurs de qualité inférieure ont souvent des capacités de coupe moindre et une

durée de vie inférieure; ceci résulte en un coût plus élevé par rapport à la quantité de matériau découpé.

- Veillez à utiliser la bague correspondant à la lame de coupe montée sur le produit. Reportez-vous à la section *Vérification de la bague de l'arbre* à la page 79.
- Vérifiez l'intégrité de chaque nouveau disque découpeur en le faisant fonctionner à plein régime pendant 1 minute environ.

## Lames de coupe compatibles



**AVERTISSEMENT:** Lisez et respectez les instructions qui suivent avant d'utiliser le produit.

- N'utilisez jamais une lame de coupe avec un matériau différent de celui pour lequel elle est conçue.
- Utilisez uniquement une lame diamantée fabriquée pour les coupes à sec.
- N'utilisez jamais de lames dentées telles que des lames de coupe de bois, des lames dentées circulaires, des lames à plaquettes, etc. À grande vitesse, le risque de rebond est nettement plus important et les extrémités de lame peuvent être arrachées et projetées. Toute négligence peut causer de graves blessures ou peut être fatale.
- N'utilisez jamais une lame de coupe diamantée dont la vitesse est inférieure à celle indiquée sur la découpeuse. Utilisez uniquement des lames diamantées qui sont conformes aux normes nationales ou régionales, par exemple EN13236 ou ANSI B7.1.
- La lame de coupe doit être homologuée pour une vitesse au moins égale à celle indiquée sur la plaque signalétique du produit. La vitesse est indiquée sur le protège-lame.
- La plupart des lames de coupe qui peuvent être fixées sur ce produit sont conçues pour des scies fixes. La vitesse de ces lames de coupe est trop faible pour ce produit.
- Sélectionnez une lame de coupe dont le diamètre du trou central concorde avec la bague installée sur la machine.

## Vibration de disque

- Le disque peut ne plus être rond et vibrer si une pression d'avance trop élevée est appliquée.
- Une pression d'avance plus faible peut réduire les vibrations. Sinon, remplacer le disque.

## Lames diamant



**AVERTISSEMENT:** N'utilisez jamais une lame diamant pour couper de la matière plastique. La chaleur produite lors de la découpe risque de faire fondre le plastique, qui risque alors de coller au disque découpeur et de provoquer un rebond.



**AVERTISSEMENT:** Lors de leur utilisation, les lames diamantées deviennent très chaudes. Une lame surchauffée est le résultat d'une mauvaise utilisation et peut entraîner une déformation de la lame qui causerait des dommages et des blessures.

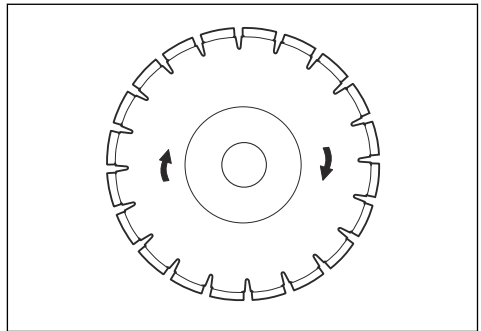


**AVERTISSEMENT:** La découpe de métal peut provoquer un incendie et endommager ce produit ou l'extracteur de poussière.

**Remarque:** Les disques diamant sont disponibles en plusieurs degrés de résistance.

**Remarque:** Affûtez la lame en coupant un matériau tendre tel que du grès ou de la brique.

- Toujours utiliser une lame diamant acérée.
- Les lames diamant peuvent s'émousser en cas de pression d'avance incorrecte ou de découpe de certains matériaux comme du béton fortement armé. Le travail avec une lame diamantée émoussée comporte un risque de surchauffe pouvant provoquer la chute des segments en diamant.
- Les lames diamantées se composent d'une tôle et de segments contenant des diamants industriels.
- Les lames diamants sont recommandées pour tous les types de maçonneries, le béton armé et d'autres matériaux composites.
- Les disques diamant sont d'un coup inférieur par découpe, nécessitent moins de remplacements et ont une profondeur de découpe constante.
- En cas d'utilisation d'une lame diamantée, veillez à ce qu'elle tourne dans la direction des flèches sur la lame.



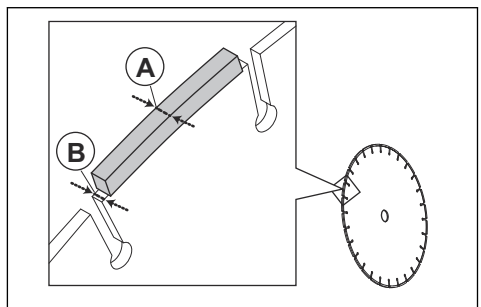
## Disques diamant pour découpe à sec

- Lors de la découpe, les frictions dans la coupe entraînent la chauffe de la lame diamant. Si la lame finit par devenir trop chaude, cela peut entraîner une perte de la tension de la lame ou la fissuration du noyau.
- Même si le refroidissement ne requiert pas d'eau, les disques découpeurs secs doivent être refroidis par un flux d'air circulant autour des lames. C'est pourquoi les disques découpeurs secs sont recommandés uniquement pour une découpe intermittente. Après quelques secondes de découpe, la lame doit pouvoir tourner librement sans charge pour que le flux d'air circulant autour de la lame dissipe la chaleur.

## Lame diamantée : saillie



**AVERTISSEMENT:** Certaines situations de coupe ou des lames de mauvaise qualité peuvent entraîner une usure excessive sur le côté des segments. Assurez-vous que le segment en diamant (A) est plus large que la lame (B). Cela permet d'éviter tout pincement dans la fente et tout effet de rebond. Reportez-vous à la section *Rebond* à la page 73.



**REMARQUE:** certaines situations de coupe ou des lames usées peuvent provoquer une usure excessive sur le côté

des segments. Remplacez la lame avant qu'elle ne soit usée.

## Inspection de l'arbre à broche et des rondelles d'accouplement



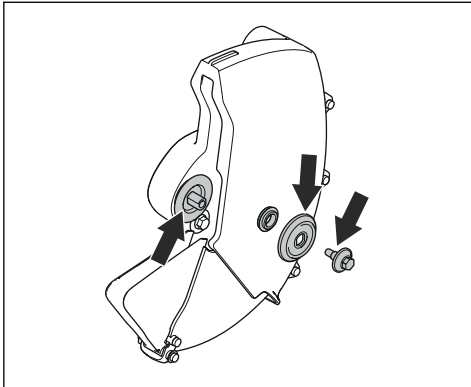
**REMARQUE:** N'utilisez que HUSQVARNA des rondelles d'accouplement qui possèdent un diamètre minimum de 60 mm (2,36 po).



**AVERTISSEMENT:** L'utilisation de rondelles d'accouplement non compatibles risque d'abîmer la lame ou de la desserrer. N'utilisez pas de rondelles d'accouplement abîmées, défectueuses ou sales. N'utilisez que des rondelles d'accouplement de la même taille.

Examinez les rondelles d'accouplement et l'arbre à broche lors du remplacement de la lame de coupe. Remplacez les pièces endommagées.

1. Vérifiez que les filetages de l'arbre à broche sont intacts.

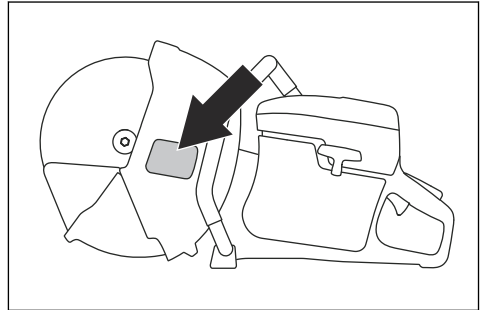


2. Assurez-vous que les surfaces de contact sur la lame de coupe et les rondelles d'accouplement ne sont pas abîmées.
3. Vérifiez que les rondelles d'accouplement sont propres et de la bonne taille.
4. Assurez-vous que les rondelles d'accouplement sont correctement orientées sur l'arbre à broche.

## Vérification de la bague de l'arbre

Les bagues d'arbre permettent d'adapter la machine au trou central de la lame de coupe. La machine est fournie avec une bague qui peut être retournée pour s'adapter aux lames présentant un trou central de 20 mm ou 25,4 mm, ou avec une bague fixe de 20 mm.

- Un autocollant sur le protège-lame indique quelle bague a été montée en usine, ainsi que la spécification de lame appropriée.

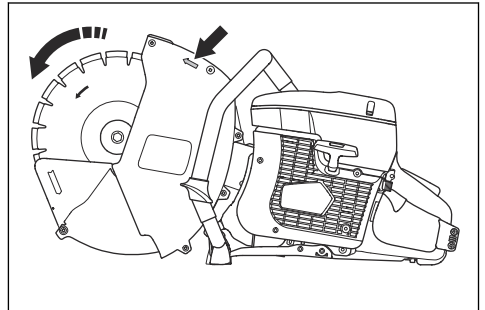


N'utilisez que des bagues d'arbre HUSQVARNA.

- Assurez-vous que la dimension de la bague de l'arbre est adaptée à la lame de coupe. La dimension correcte est indiquée sur la lame de coupe.

## Examen du sens de rotation de la lame de coupe rotative

1. Recherchez la flèche sur le protège-lame qui indique le sens de rotation de la lame.
2. Recherchez la flèche sur la lame de coupe qui indique le sens de rotation de la lame.



3. Vérifiez que les flèches situées sur le protège-lame et la lame de coupe pointent toutes dans la même direction.

## Fixation de la lame de coupe

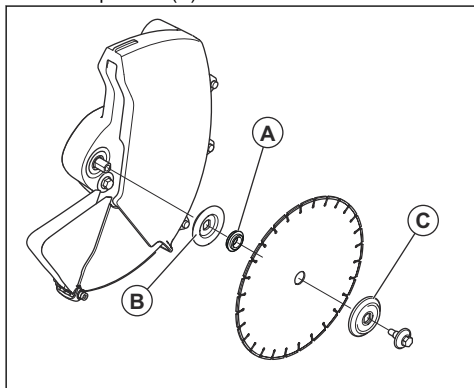


**AVERTISSEMENT:** Vérifiez que le moteur est éteint et que le bouton d'arrêt est en position STOP.

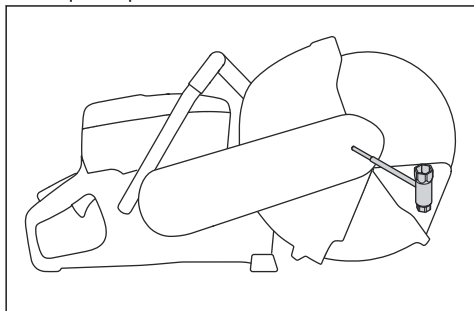


**AVERTISSEMENT:** Portez toujours des gants de protection lorsque vous montez la chaîne.

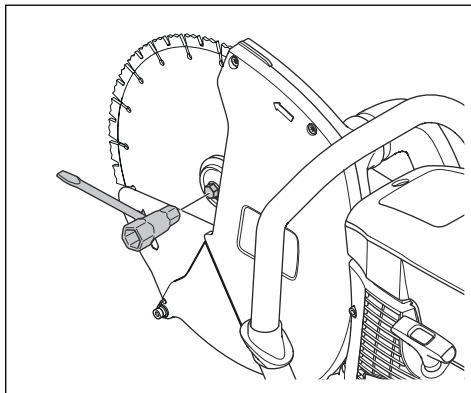
1. Examinez les rondelles d'accouplement et l'arbre à broche lorsque vous changez la lame de coupe. Reportez-vous à la section *Inspection de l'arbre à broche et des rondelles d'accouplement* à la page 79.
2. Placez la lame de coupe sur la bague (A) entre la rondelle d'accouplement interne (B) et la rondelle d'accouplement (C).



3. Bloquez la poulie.



4. Serrez la vis à 30 Nm.



### Affûtage de la lame de coupe

**Remarque:** Pour obtenir les meilleurs résultats, utilisez une lame de coupe affûtée.

- Pour affûter une lame, coupez un matériau tendre tel que du grès ou de la brique.

## Utilisation

### Introduction



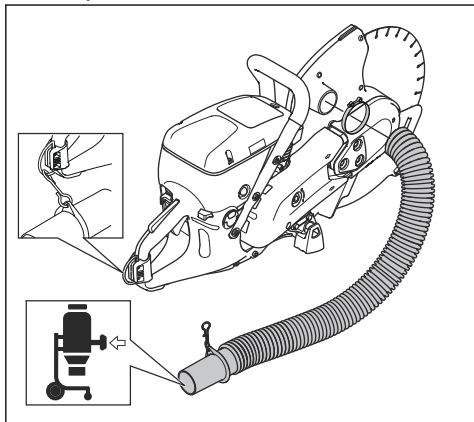
**AVERTISSEMENT:** avant d'utiliser la machine, veuillez à bien lire et comprendre le chapitre sur la sécurité et les instructions de montage.

### Raccord de l'extracteur de poussière externe

N'utilisez pas ce produit sans extracteur de poussière externe. Pour connaître les extracteurs de poussière compatibles, reportez-vous à la section *Caractéristiques techniques* à la page 95



1. Raccordez l'extracteur de poussière à l'accessoire de fixation de l'extracteur de poussière sur la découpeuse.



2. Pour en savoir plus sur l'extracteur de poussière, reportez-vous au manuel d'utilisation de l'extracteur de poussière.

## Techniques de travail de base



**AVERTISSEMENT:** Ne tirez pas le produit sur un côté. Cela peut empêcher la lame de coupe de se déplacer librement. La lame de coupe peut se casser et blesser l'utilisateur ou les personnes qui se trouvent à proximité.



**AVERTISSEMENT:** Ne meulez pas avec le côté de la lame de coupe. La lame de coupe peut se casser et blesser l'utilisateur ou les personnes qui se trouvent à proximité. N'utilisez que le côté tranchant.



**AVERTISSEMENT:** Vérifiez également que la lame de coupe est correctement montée et qu'elle ne présente aucun dommage.



**AVERTISSEMENT:** Assurez-vous que le protège-lame, l'extension du protège-lame et la protection anti-poussière sont bien fixés avant de démarrer le produit. L'extension de protège-lame et la protection anti-poussière doivent toujours bouger librement. N'utilisez pas ce produit si le protège-lame, l'extension du protège-lame ou la protection anti-poussière sont absents ou défectueux.

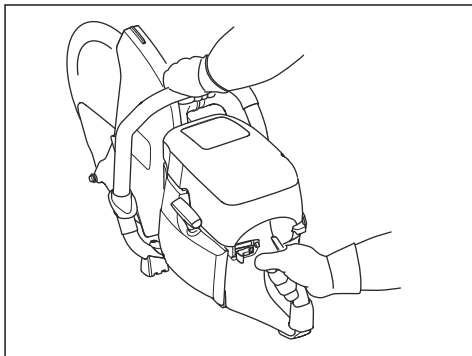


**AVERTISSEMENT:** Avant d'entrer dans une rainure existante effectuée par une autre lame, vérifiez que la rainure n'est pas plus fine que votre lame, car cela peut entraîner une torsion dans la rainure de coupe et un rebond.



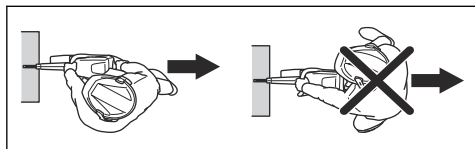
**AVERTISSEMENT:** Une lame diamantée devient très chaude pendant la découpe à sec. La lame doit être refroidie régulièrement afin d'éviter une surchauffe. En cas de surchauffe, le noyau risque de se fissurer et la lame peut éclater ou se détendre et sortir de son axe au risque de provoquer un rebond. Afin de refroidir la lame à l'air, laissez-la tourner librement à vide.

- N'effectuez pas de coupe avec la zone de rebond de la lame de coupe. Reportez-vous à la section *Zone de rebond à la page 74*.
- Vérifiez que le type de disque découpeur utilisé convient à l'application en question. Reportez-vous aux instructions figurant à la section *Lames de coupe compatibles à la page 77*.
- Tenez-vous éloigné du disque découpeur tandis que le moteur tourne. N'essayez pas d'arrêter une lame en rotation avec une partie de votre corps.
- Tenez fermement la scie à deux mains, en encerclant les poignées de vos pouces et autres doigts. Tenez la main droite sur la poignée arrière et la main gauche sur la poignée avant. Tous les utilisateurs, qu'ils soient droitiers ou gauchers, doivent la tenir ainsi. N'utilisez jamais une découpeuse en la tenant d'une seule main.

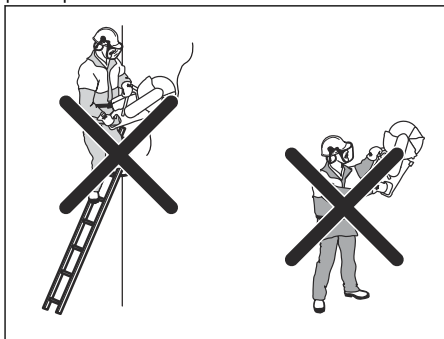


- Tenez vous parallèlement au disque découpeur. Évitez de vous tenir juste derrière celle-ci. En cas

de rebond, la scie bouge dans le plan du disque découpeur.

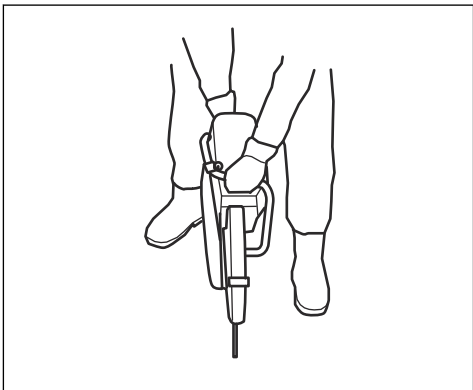


- Ne déplacez pas le produit quand l'équipement de coupe tourne. Vérifiez que la lame est complètement arrêtée avant de mettre le produit au sol.
- Ne laissez jamais la machine sans surveillance avec le moteur en marche.
- Soyez bien en équilibre, les pieds d'aplomb.
- Avant d'entrer dans une rainure existante effectuée par une autre lame, vérifiez que la rainure n'est pas plus fine que votre lame, car cela peut entraîner une torsion dans la rainure de coupe et un rebond.
- Ne jamais découper au-dessus de la hauteur des épaules.
- Ne coupez jamais sur une échelle. Utilisez une plate-forme ou un échafaudage en cas de découpe au-dessus de la hauteur d'épaule. Ne vous éloignez pas trop.

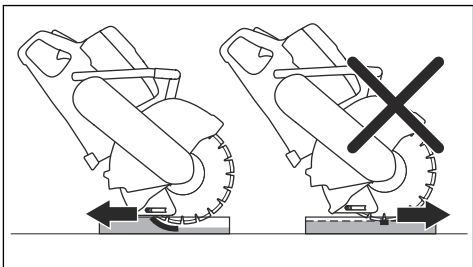


- Tenez-vous à une distance confortable de la pièce à découper.
- Assurez-vous que la lame de coupe peut se déplacer librement et qu'elle n'est pas en contact avec quoi que ce soit lorsque le moteur est mis en marche.
- Surveillez toujours le produit lorsque le moteur tourne.
- Si la lame se bloque dans l'entaille ou lors de l'interruption d'une découpe, relâchez l'accélérateur et attendez que la lame s'arrête. N'extrayez pas la lame de l'entaille lorsque la lame est en mouvement. Dans le cas contraire, un rebond peut se produire.
- Appliquez délicatement la lame de coupe à haute vitesse de rotation (plein régime). Maintenez la vitesse maximale jusqu'à la fin de la découpe.
- Laissez travailler la machine sans essayer de forcer ni d'enfoncer la lame. Si la lame commence à se désaxer, réduisez la vitesse d'avance. Si la lame est toujours désaxée, arrêtez de couper et changez-la.

- Avancer la machine dans l'axe du disque découpeur. Essayez de couper droit car la pression latérale peut provoquer un blocage dans la rainure de coupe et endommager la lame ou provoquer un rebond.



- Pendant toutes les opérations de coupe, vérifiez que l'extension du protège-lame et la protection anti-poussière sont alignées sur la pièce à usiner.



Enfoncez la lame de coupe au plus profond sur le haut/l'avant de la coupe et déplacez lentement la lame vers le bas/l'arrière. Cela permet de refroidir la lame de coupe et de récupérer plus facilement la poussière.

## Carburant

Ce produit est équipé d'un moteur à deux temps.



**REMARQUE:** L'utilisation d'un type de carburant inadéquat peut endommager le moteur. Utilisez un mélange d'essence et d'huile deux temps.

## Huile deux temps

- Pour un résultat et un fonctionnement optimaux, utilisez de l'huile deux temps HUSQVARNA.
- Si l'huile deux temps HUSQVARNA n'est pas disponible, utilisez une huile deux temps de haute qualité pour moteurs refroidis à l'air. Contactez votre atelier d'entretien pour sélectionner l'huile appropriée.



**REMARQUE:** N'utilisez pas d'huile deux temps pour les moteurs hors-bord refroidis par eau (huile outboard). N'utilisez pas d'huile pour moteurs à quatre temps.

### Carburant prémélangé

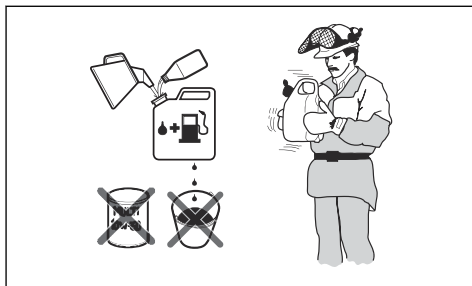
- Utilisez HUSQVARNA un carburant alkylate prémélangé pour des performances optimales et une plus longue durée de vie du moteur. Ce carburant contient des produits chimiques moins dangereux par rapport au carburant normal, ce qui réduit la quantité de gaz d'échappement dangereux. Ce carburant génère une faible quantité de résidus, ce qui permet de garder les composants du moteur propres plus longtemps.

### Pour mélanger l'essence et l'huile deux temps

Essence, en litres	Huile deux temps, en litres
	<b>2 % (50:1)</b>
5	0,10
10	0,20
15	0,30
20	0,40
Gallon américain	Oz liq. américaine
1	2 ½
2 1/2	6 ½
5	12 ½



**REMARQUE:** lorsque vous mélangez de faibles quantités de carburant, de petites erreurs peuvent influencer considérablement sur le rapport de mélange. Mesurez soigneusement la quantité d'huile et assurez-vous que vous obtenez le mélange correct.



- Remplissez la moitié de la quantité d'essence dans un récipient propre et adapté pour l'essence.
- Ajoutez la quantité totale d'huile.
- Mélangez en secouant le mélange de carburant.
- Ajoutez le reste de l'essence dans le récipient.
- Mélangez avec précaution en secouant le récipient.



**REMARQUE:** Ne mélangez jamais plus d'un mois de carburant à chaque fois.

### Pour remplir le réservoir de carburant



**REMARQUE:** N'utilisez pas d'essence avec un indice d'octane inférieur à 90 RON (87 AKI). Le produit risque d'être endommagé.



**REMARQUE:** N'utilisez pas d'essence avec une concentration d'éthanol (E10) supérieure à 10 %. Le produit risque d'être endommagé.

**Remarque:** Le carburateur doit être réglé dans certaines conditions lorsque vous modifiez le type de carburant.

- Utilisez de l'essence avec un numéro d'octane supérieur si vous utilisez fréquemment le produit à une vitesse du moteur élevée en continu.
- Ouvrez lentement le couvercle du réservoir de carburant pour relâcher la pression.
  - Remplissez lentement le réservoir à l'aide d'un bidon de carburant. Si vous renversez du carburant, essuyez-le à l'aide d'un chiffon et laissez le carburant restant sécher.
  - Essayez le pourtour du bouchon du réservoir de carburant.
  - Serrez complètement le bouchon du réservoir de carburant. Si le bouchon du réservoir de carburant n'est pas serré, il y a un risque d'incendie.

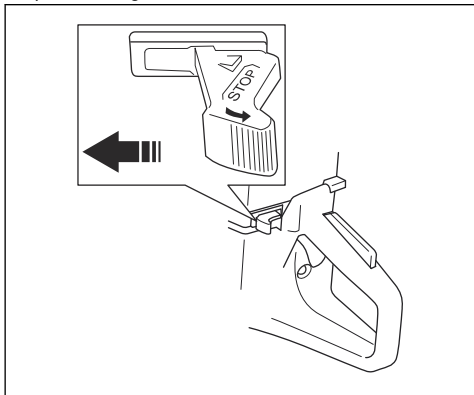
5. Déplacez le produit à un minimum de 3 m (10 ft) de l'endroit où a été fait le plein de carburant avant de démarrer le produit.

## Démarrage du produit lorsque le moteur est froid

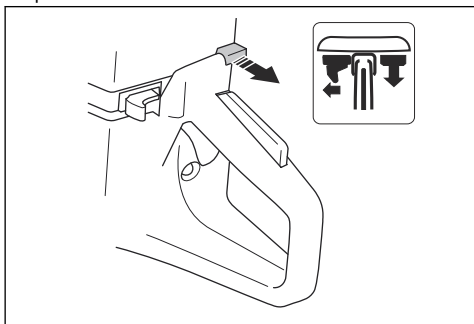


**AVERTISSEMENT:** Vérifiez que la lame tourne librement. Elle commence à tourner lorsque le moteur démarre.

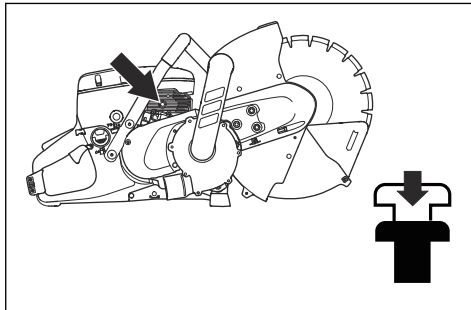
1. Veillez à ce que le bouton d'arrêt (STOP) soit sur la position de gauche.



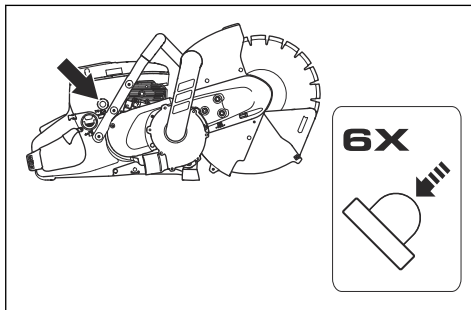
2. Tirez complètement sur le starter pour régler la position de ralenti accéléré.



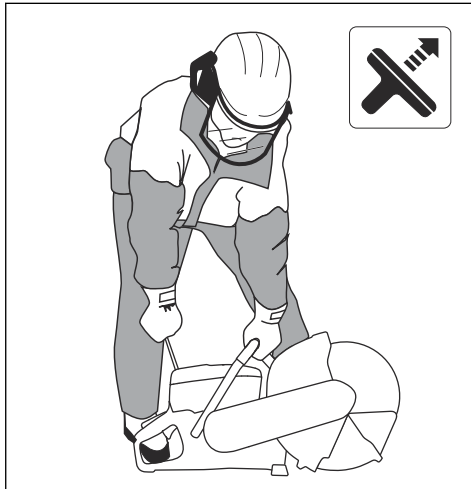
3. Appuyez sur le décompresseur pour réduire la pression dans le cylindre. Une fois le produit démarré, le décompresseur revient automatiquement à sa position de départ.



4. Appuyez 6 fois sur la poire de la pompe à carburant jusqu'à ce qu'elle soit entièrement remplie de carburant.



5. Maintenez la poignée avant avec la main gauche.
6. Placez votre pied droit sur la partie inférieure de la poignée arrière pour plaquer le produit contre le sol.





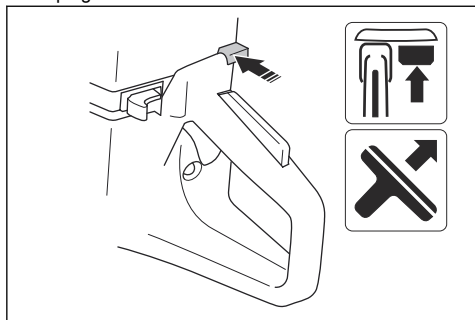
**AVERTISSEMENT:** N'enroulez pas le câble du démarreur autour de votre main.

7. Tirez lentement le câble du démarreur de la main droite jusqu'à sentir une résistance en tant que les cliquets s'enclenchent. Tirez ensuite sans interruption et rapidement.



**REMARQUE:** Ne sortez pas complètement le câble du démarreur et ne relâchez pas la poignée lorsque le câble est complètement sorti. Cela peut endommager le produit.

8. Appuyez sur le starter lorsque le moteur démarre. Si le starter est tiré, le moteur s'arrête après quelques secondes. Si le moteur s'arrête, tirez à nouveau sur la poignée du câble du démarreur.



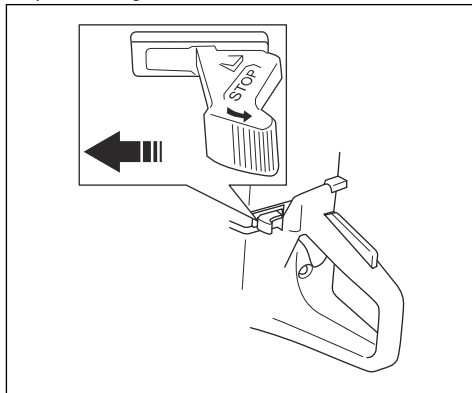
9. Appuyez sur la gâchette d'accélération pour désengager le ralenti accéléré ; la machine tourne alors au ralenti.

## Démarrage du produit lorsque le moteur est chaud

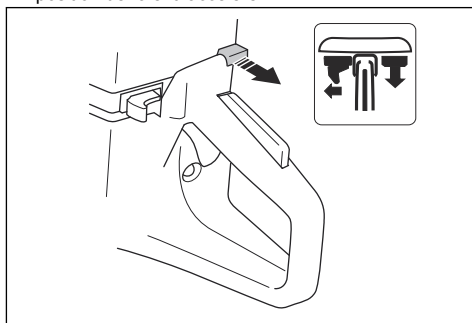


**AVERTISSEMENT:** Vérifiez que la lame tourne librement. Elle commence à tourner lorsque le moteur démarre.

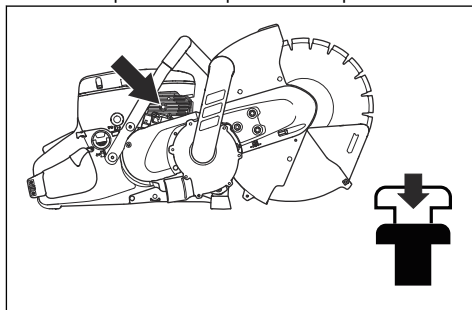
1. Veillez à ce que le bouton d'arrêt (STOP) soit sur la position de gauche.



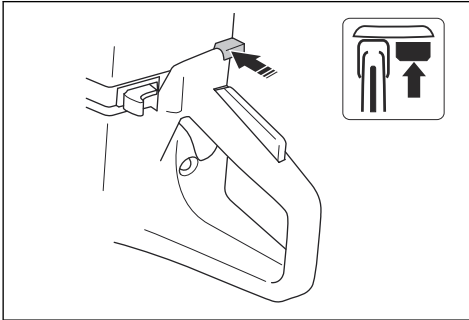
2. Tirez complètement sur le starter pour régler la position de ralenti accéléré.



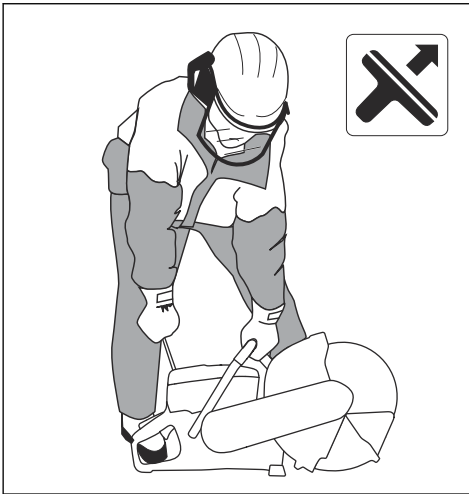
3. Appuyez sur le décompresseur pour réduire la pression dans le cylindre. Une fois le produit démarré, le décompresseur revient automatiquement à sa position de départ.



4. Appuyez sur le starter pour désactiver la commande. Le ralenti accéléré reste en position.



5. Maintenez la poignée avant avec la main gauche.  
6. Placez votre pied droit sur la partie inférieure de la poignée arrière pour plaquer le produit contre le sol.



**AVERTISSEMENT:** N'enroulez pas le câble du démarreur autour de votre main.

7. Tirez lentement le câble du démarreur jusqu'à sentir une résistance lorsque les cliquets s'enclenchent. Tirez ensuite sans interruption et rapidement.



**REMARQUE:** Ne sortez pas complètement le câble du démarreur et ne relâchez pas la poignée lorsque le câble est complètement sorti. Cela peut endommager le produit.

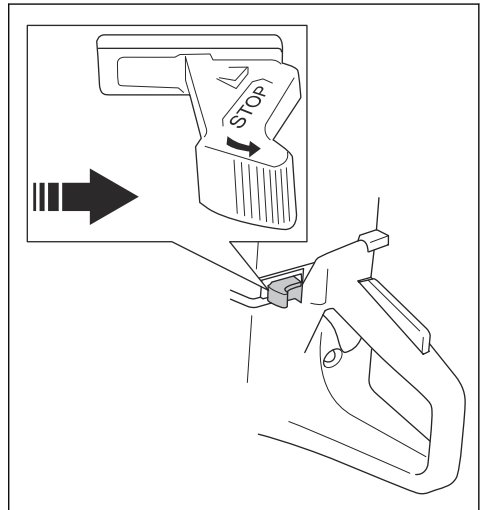
8. Appuyez sur la gâchette d'accélération pour désengager le ralenti accéléré ; la machine tourne alors au ralenti.

## Pour arrêter le produit



**AVERTISSEMENT:** La lame de coupe continue à tourner pendant au maximum une minute après l'arrêt du moteur (il s'agit du fonctionnement libre de la lame). Assurez-vous que la lame de coupe tourne librement jusqu'à l'arrêt complet. Toute négligence peut causer des blessures graves.

- Pour arrêter le moteur, déplacez l'interrupteur d'arrêt vers la droite.



## Entretien

### Calendrier de maintenance

Le calendrier de maintenance indique les opérations d'entretien nécessaires pour le produit. Les intervalles sont calculés pour une utilisation quotidienne du produit.

	Au quotidien	Toutes les semaines	Une fois par mois	Une fois par an
<b>Nettoyer</b>	Nettoyage extérieur		Bougie	
	Prise d'air froid		Réservoir de carburant	
<b>Remplacer</b>				Filter à carburant
<b>Vérification du fonctionnement</b>	Inspection générale	Système anti-vibrations*	Système de carburant	
	Blocage de la commande d'accélération*	Silencieux*	Filter à air	
	Bouton d'arrêt*	Courroies d'entraînement	Embrayage	
	Protège-lame, extension du protège-lame et protection anti-poussière*	Carburateur		
	Lame de coupe*	Corps du lanceur		
* Reportez-vous à la section <i>Dispositifs de sécurité sur le produit à la page 70.</i>				

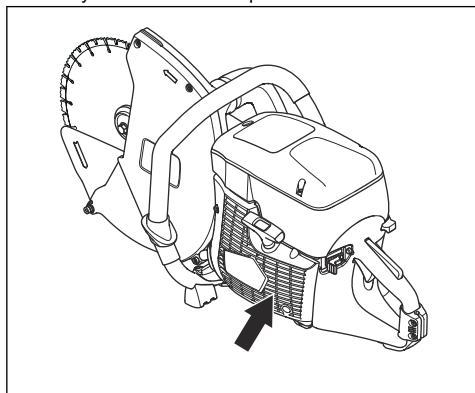
## Nettoyage des surfaces extérieures

- Aspergez l'extérieur du produit avec de l'eau propre après chaque journée d'utilisation. Utilisez si nécessaire une brosse.

## Nettoyage de la prise d'air froid

**Remarque:** Une prise d'air sale ou bouchée peut provoquer une surchauffe du produit. Ceci peut endommager le piston et le cylindre.

- Nettoyez si nécessaire la prise d'air froid.



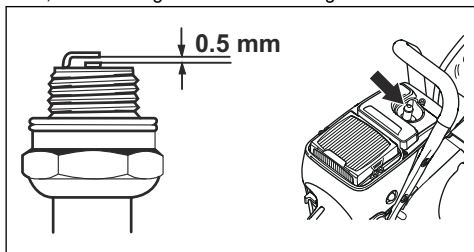
## Pour vérifier la bougie

**Remarque:** Utilisez toujours le type de bougie recommandé. L'utilisation d'une bougie incompatible peut endommager le piston/le cylindre. Pour connaître les bougies recommandées, consultez la section *Caractéristiques techniques à la page 95.*

Des particules d'huile sur la bougie peuvent se former en cas d'utilisation d'un mauvais mélange de carburant ou d'un niveau d'huile trop élevé. Un filtre à air sale peut également entraîner la formation de particules d'huile sur la bougie. La présence de petites particules sur les électrodes des bougies peut causer des problèmes pour démarrer et faire fonctionner le produit. Inspectez toujours la bougie si le produit est déchargé, s'il ne démarre pas facilement ou s'il ne fonctionne pas correctement au régime de ralenti.

- Vérifiez que le capuchon de la bougie et le câble d'allumage ne sont pas endommagés afin d'éviter tout risque de choc électrique.
- Nettoyez la bougie si elle est sale.

3. Vérifiez que l'écartement des électrodes est de 0,5 mm. Changez au besoin la bougie.



## Pour faire une inspection générale

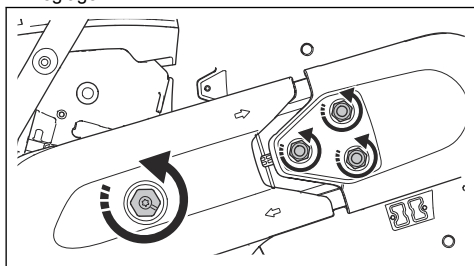
- Assurez-vous que l'ensemble des vis et des écrous du produit sont correctement serrés.

## Remplacer la courroie d'entraînement

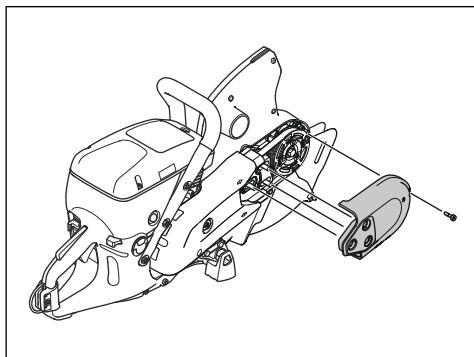


**AVERTISSEMENT:** Ne démarrez pas le produit sans les protections ni les caches.

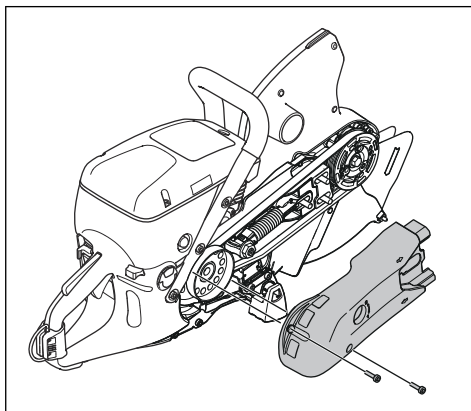
1. Dessersez les 3 écrous sur la tête de coupe. Réduisez la tension de la courroie avec la vis de réglage.



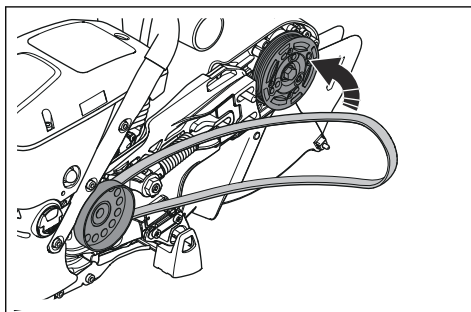
2. Retirez la vis et les écrous. Retirez le carter avant de la courroie.



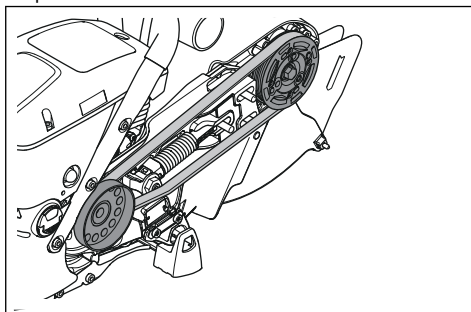
3. Retirez les 2 vis du carter arrière de la courroie. Retirez le carter de la courroie.



4. Retirez la courroie d'entraînement.  
5. Installez la courroie d'entraînement neuve.



6. Assurez-vous que la courroie d'entraînement est positionnée correctement.

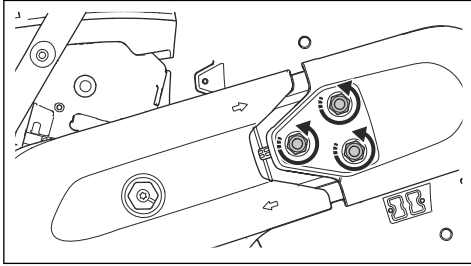


7. Installez les 2 carters de courroie.  
8. Réglez la tension de la courroie d'entraînement. Consultez la section *Réglage de la tension de la courroie d'entraînement* à la page 89.

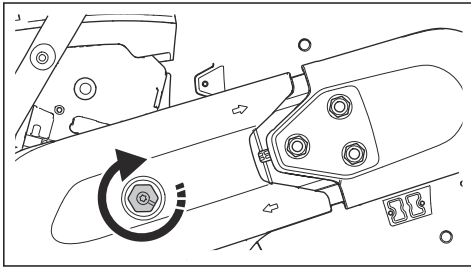


## Réglage de la tension de la courroie d'entraînement

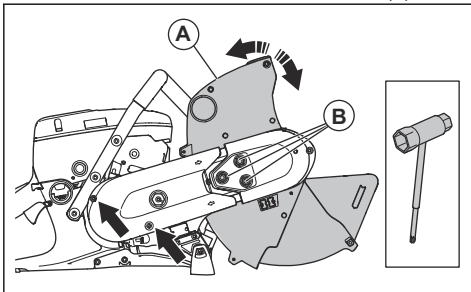
1. Desserrez les 3 écrous.



2. Tournez la vis de réglage dans le sens des aiguilles d'une montre pour augmenter la tension de la courroie d'entraînement.



3. Secouez légèrement le protège-lame (A) vers le haut et vers le bas 3 à 5 fois. Serrez les écrous (B).



## Corps du lanceur



**AVERTISSEMENT:** Soyez toujours vigilant et utilisez toujours des lunettes de protection lorsque vous changez le ressort de rappel ou le câble du lanceur. Une tension est exercée dans le ressort de rappel lorsqu'il est enroulé dans le corps du lanceur. Le ressort de rappel peut sauter et causer des blessures.

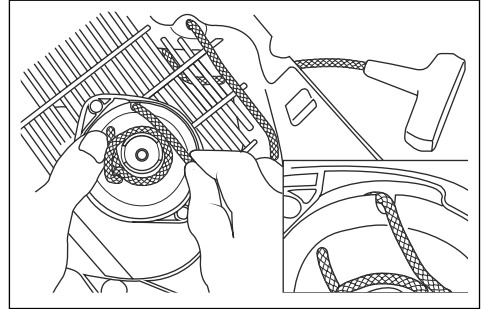
## Désinstallation du corps du lanceur

1. Desserrez les 4 vis du corps du lanceur.

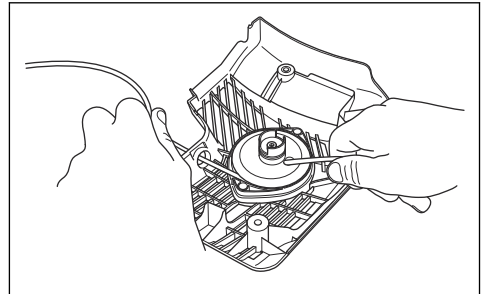
2. Déposez le corps du lanceur.

## Changement d'un câble de démarreur endommagé

1. Tenez la poulie du lanceur avec votre pouce. Tirez sur le câble du lanceur environ 30 cm et placez-le dans la rainure de la poulie du lanceur.

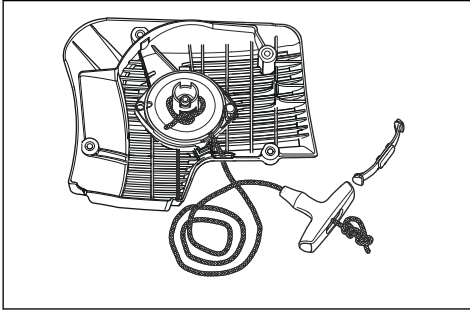


2. Laissez la poulie du câble tourner lentement dans le sens contraire pour réduire la tension du ressort.
3. Retirez l'autre corde du lanceur.
4. Vérifiez que le ressort de rappel fonctionne correctement.
5. Introduisez la corde du lanceur neuve dans le trou dans le corps du lanceur et dans la poulie.



6. Fixez la corde du lanceur sur la poulie.
7. Le raccord doit être parfaitement serré. Faites en sorte que l'extrémité libre de la corde du lanceur est aussi courte que possible.

- Fixez l'extrémité de la corde du lanceur dans la poignée du lanceur comme indiqué sur le schéma.



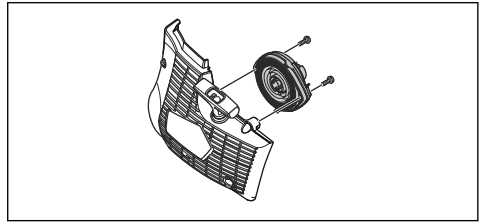
- Tirez complètement sur le cordon du lanceur pour vous assurer que le ressort de rappel n'est pas dans sa position finale. Faites tourner la poulie du lanceur délicatement avec votre pouce.
- Assurez-vous que la poulie du lanceur peut être tournée au moins un demi-tour avant que le ressort de rappel n'arrête les mouvements.

## Démontage du système à ressort



**AVERTISSEMENT:** Utilisez toujours des protections pour les yeux lorsque vous retirez l'ensemble ressort. Il existe un risque de blessure aux yeux, surtout si un ressort est cassé.

- Retirez les 2 vis du système à ressort.



- Plaquez les 2 supports de fixation sur les verrous de fixation à l'aide d'un tournevis.

## Nettoyage du système à ressort



**REMARQUE:** Ne retirez pas le ressort du système.

- Nettoyez le ressort à l'air comprimé jusqu'à ce qu'il soit propre.
- Appliquez une huile légère sur le ressort.

## Fixation du système à ressort

- Le montage s'effectue dans l'ordre inverse de *Démontage du système à ressort à la page 90.*

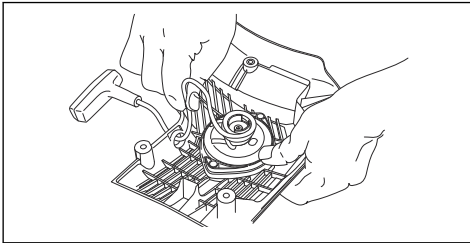
## Installation du corps du lanceur



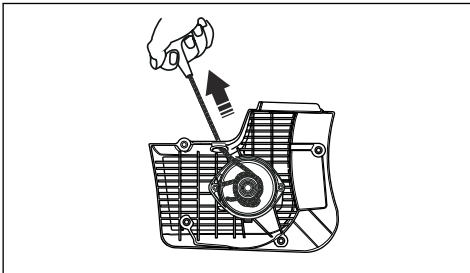
**REMARQUE:** Les cliquets du lanceur doivent être plaqués contre le manchon de la poulie.

## Réglage de la tension du ressort de rappel

- Placez la corde dans l'encoche de la poulie du lanceur. Enroulez la corde 3 tours dans le sens des aiguilles d'une montre autour du centre de la poulie du lanceur.

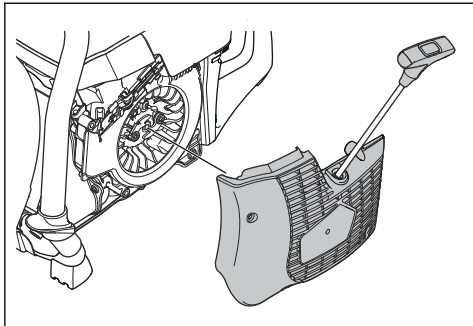


- Tirez sur le bouton de démarrage pour régler la tension du ressort de rappel.
- Placez la corde dans l'encoche de la poulie du lanceur. Enroulez la corde 4 tours dans le sens des aiguilles d'une montre autour du centre de la poulie du lanceur.
- Tirez sur le bouton de démarrage pour régler la tension du ressort de rappel.



**Remarque:** le bouton du lanceur se met en position une fois la tension ajustée.

1. Faites sortir le cordon du lanceur environ 0,5 m.



2. Maintenez la position de la corde du lanceur et placez le lanceur contre le produit.
3. Relâchez lentement la corde du lanceur jusqu'à ce que les cliquets du lanceur viennent se placer sur la bonne position.
4. Serrez les 4 vis du lanceur.

## Inspection du carburateur

**Remarque:** Le carburateur possède des aiguilles rigides de manière à garantir que le produit reçoit toujours le bon mélange d'air et de carburant.

1. Vérifiez le filtre à air. Reportez-vous à *Inspection du filtre à air à la page 91*
2. Changez au besoin le filtre à air.
3. Si la puissance ou la vitesse du moteur continue de baisser, prenez contact avec le service HUSQVARNA après-vente local.

## Pour examiner le système de carburant

1. Vérifiez que le bouchon du réservoir à essence et son joint ne sont pas endommagés.
2. Vérifiez le tuyau de carburant. Remplacez le tuyau s'il est endommagé.

## Pour régler le régime de ralenti

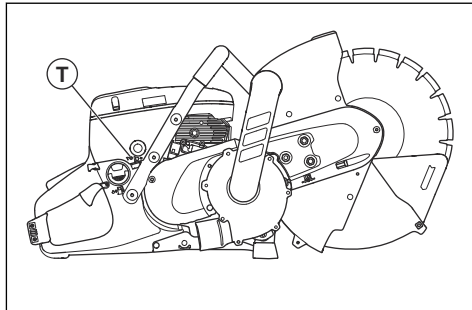


**AVERTISSEMENT:** Si la lame de coupe tourne au ralenti, contactez le service après-vente. N'utilisez pas le produit tant que le ralenti n'est pas correctement réglé ou réparé.

**Remarque:** La vitesse du ralenti recommandée est de 2 700 tours/min.

1. Démarrez le moteur.
2. Vérifiez le régime de ralenti. Lorsque le carburateur est correctement réglé, la lame de coupe s'arrête lorsque le moteur tourne au ralenti.

3. Utilisez la vis à tête fraisée pour régler le ralenti.



- a) Tournez la vis dans le sens des aiguilles d'une montre jusqu'à ce que la lame de coupe commence à tourner.
- b) Tournez la vis dans le sens contraire des aiguilles d'une montre jusqu'à ce que la lame de coupe s'arrête.

## Filtre à carburant

Le filtre à carburant se trouve à l'intérieur du réservoir de carburant. Le filtre à carburant empêche la contamination du réservoir de carburant lorsque celui-ci est rempli. Le filtre à carburant doit être changé tous les ans ou plus fréquemment, s'il est encrassé.



**REMARQUE:** Ne nettoyez pas le filtre à carburant.

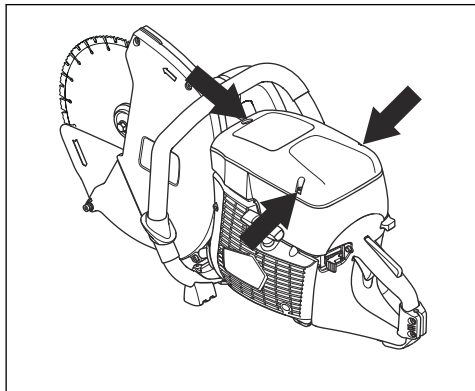
## Inspection du filtre à air



**REMARQUE:** Veillez à démonter le filtre à air délicatement. Les particules qui tombent dans l'admission du carburateur peuvent l'endommager.

Inspectez l'état du filtre à air si la puissance du moteur diminue.

1. Desserrez les 3 vis qui maintiennent en place le cache du filtre à air.



2. Retirez le couvercle du filtre à air.
3. Vérifiez le filtre à air. Changez au besoin le filtre à air. Reportez-vous à la section *Pour remplacer le filtre à air à la page 92*.
4. Remettez en place le cache du filtre à air.
5. Serrez les 3 vis.

## Pour remplacer le filtre à air



**REMARQUE:** Ne nettoyez pas le filtre à air à l'air comprimé. Le filtre à air est en papier, ce qui le rend donc très fragile.



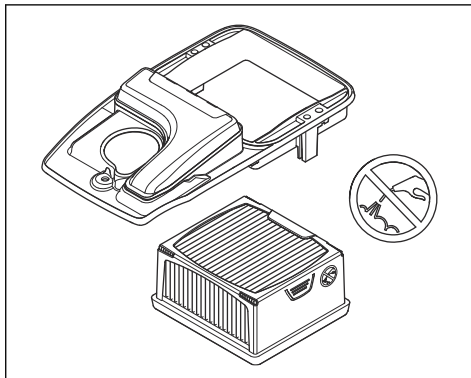
**REMARQUE:** De la poussière nocive peut se répandre lors du remplacement du filtre. Portez une protection respiratoire

homologuée. Les filtres doivent être correctement mis au rebut.

**Remarque:** Ne changez le filtre d'entretien que s'il est endommagé.

**Remarque:** Le filtre à air ne doit pas être nettoyé ou rincé à l'air comprimé. Ceci endommagerait le filtre.

1. Desserrez les 3 vis qui maintiennent en place le cache du filtre à air.
2. Retirez le couvercle du filtre à air.



3. Desserrez les 2 vis qui maintiennent en place la poulie du filtre à air et déposez-les.
4. Retirez le filtre à air.
5. Installez le filtre à air neuf.
6. Remplacez la poulie du filtre à air.
7. Serrer les 2 vis.
8. Remettez en place le cache du filtre à air.
9. Serrez les 3 vis.

## Dépannage

### Guide de dépannage



**AVERTISSEMENT:** Assurez-vous que le moteur est éteint et le bouton

d'arrêt est en position STOP avant l'entretien et le dépannage, sauf si ces instructions préconisent le contraire.

Problème	Cause	Solutions possibles
Le produit ne démarre pas.	La procédure de démarrage est effectuée correctement.	Reportez-vous à <i>Démarrage du produit lorsque le moteur est froid à la page 84</i> et <i>Démarrage du produit lorsque le moteur est chaud à la page 85</i> .
	L'interrupteur d'arrêt est placé sur la droite (ARRÊT).	Veiller à ce que le bouton d'arrêt (STOP) soit sur sa position de gauche.
	Le réservoir de carburant ne contient pas de carburant.	Faites le plein de carburant.
	La bougie d'allumage est défectueuse.	Remplacez la bougie.
	L'embrayage est défectueux.	Contactez votre agent d'entretien.
La lame de coupe tourne au ralenti.	Le ralenti est trop élevé.	Réglez le ralenti.
	L'embrayage est défectueux.	Contactez votre agent d'entretien.
La lame de coupe ne tourne pas lorsque l'opérateur accélère.	La courroie est trop détendue ou défectueuse.	Tendez la courroie ou remplacez-la par une neuve.
	L'embrayage est défectueux.	Contactez votre agent d'entretien.
	La lame de coupe est mal installée.	Vérifiez que la lame de coupe est installée correctement.
Le produit n'est pas sous tension lorsque l'opérateur essaie d'accélérer.	Le filtre à air est bouché.	Vérifiez le filtre à air. S'il est défectueux, remplacez-le.
	Le filtre à carburant est bouché.	Remplacez le filtre à carburant.
	Le débit du réservoir de carburant est bloqué.	Contactez votre agent d'entretien.
Les niveaux de vibration sont trop élevés.	La lame de coupe est mal installée.	Vérifiez que la lame de coupe est bien fixée et qu'elle n'est pas endommagée. Reportez-vous à la section <i>Lames de coupe compatibles à la page 77</i> .
	La lame de coupe est défectueuse.	Déposez la lame de coupe et assurez-vous qu'elle n'est pas défectueuse.
	Une unité anti-vibrations est défectueuse.	Contactez votre agent d'entretien.
La température du produit est trop élevée.	La prise d'air ou les brides qui permettent de diminuer la température sont bloquées.	Nettoyez la prise d'air et les brides permettant de diminuer la température.
	La courroie bouge.	Inspectez la courroie. Réglez la tension.
	L'embrayage est défectueux.	
		Examinez l'embrayage. Contactez votre agent d'entretien.

Problème	Cause	Solutions possibles
La puissance ou la vitesse du moteur diminue.	Le filtre à air est bouché.	Examinez le carburateur. Reportez-vous à <i>Inspection du carburateur à la page 91</i>
La poussière n'est pas recueillie correctement lors de la coupe.	Technique de coupe inappropriée.	Reportez-vous à la section <i>Techniques de travail de base à la page 81</i> .
	L'extracteur de poussière fixé n'extraire pas de poussière.	Reportez-vous au manuel d'utilisation de l'extracteur de poussière.
L'extension de protège-lame et l'écran anti-poussière ne bougent pas librement.	Les pièces mobiles de l'extension de protège-lame et l'écran anti-poussière sont bouchés.	Nettoyez les pièces mobiles.
L'extension de protège-lame et l'écran anti-poussière ne bougent pas lorsque le produit est retiré de la pièce à découper.	Les ressorts de l'extension de protège-lame et l'extracteur de poussière ne fonctionnent pas correctement.	Vérifiez les ressorts. Nettoyez les ressorts.

---

## Transport, entreposage et mise au rebut

---

### Transport et stockage

- Sécurisez le produit lors de son transport pour éviter tout dommage ou accident.
- Retirez la lame de coupe avant de transporter ou de remiser le produit.
- Conservez le produit dans un endroit verrouillé afin que des enfants ou personnes qui ne sont pas autorisées à l'utiliser ne puissent pas y avoir accès.
- Remisez les lames de coupe dans un endroit sec et à l'abri du gel.
- Avant l'assemblage, vérifiez que toutes les lames neuves et usagées ne sont pas endommagées lors du transport et du stockage.
- Nettoyez et effectuez l'entretien du produit avant de le remiser. Reportez-vous à la section *Calendrier de maintenance à la page 86*.
- Vidangez le carburant du réservoir de carburant si vous ne prévoyez pas de l'utiliser avant longtemps.

- Lorsque vous n'utilisez plus le produit, renvoyez-le à un revendeur HUSQVARNA ou déposez-le dans une déchetterie.



### Mise au rebut

- Respectez les consignes locales de recyclage et la réglementation en vigueur.
- Déposez tous les produits chimiques tels que l'huile moteur ou le carburant dans un centre d'entretien ou une déchetterie appropriée.

## Caractéristiques techniques

### Caractéristiques techniques

<b>K 770 VAC</b>	
Cylindrée, cm <sup>3</sup> (pouce cube)	74 (4,5)
Alésage du cylindre, mm (po)	51 (2)
Course, mm (po)	36 (1,4)
Régime de ralenti, tr/min	2700
Pleins gaz, sans charge, régime en tr/min	9 300 (+/- 150)
Puissance, kW (ch) à tr/min	3,7 (5,0) à 9 000
Bougie	NGK BPMR 7A
Écartement des électrodes, en mm (po)	0,5
Capacité du réservoir de carburant, en l (fl oz US)	0,9 (30)
Poids de la machine sans carburant et sans lame de coupe, en kg (lb)	11 (24,3)
<b>Rotation, arbre de sortie</b>	
Vitesse de rotation max., en tr/min	2600
Vitesse périphérique max., en m/s (pi/min)	50 (10 000)
<b>Émissions sonores</b> <sup>11</sup>	
Niveau de puissance acoustique mesuré, dB (A)	112
Niveau de puissance sonore, garanti L <sub>WA</sub> dB (A)	115
<b>Niveaux sonores</b> <sup>12</sup>	
Niveau de pression sonore équivalent à l'oreille de l'utilisateur, en dB (A)	98
<b>Niveaux de vibration équivalents, a<sub>hveq</sub></b> <sup>13</sup>	
Poignée avant, m/s <sup>2</sup>	4,0
Poignée arrière, m/s <sup>2</sup>	2,8
<b>Émissions d'échappement (CO<sub>2</sub> UE V)</b> <sup>14</sup>	

<sup>11</sup> Les émissions sonores dans l'environnement sont mesurées comme puissance sonore (L<sub>WA</sub>) conformément à la directive 2000/14/EC. Le niveau de puissance sonore garanti diffère du niveau mesuré car il prend en compte la dispersion dans les résultats mesurés ainsi que les variations d'une unité à l'autre du même produit, conformément à la directive 2000/14/EC.

<sup>12</sup> Le niveau de pression sonore équivalent, selon la norme EN ISO 19432-1, correspond à la somme d'énergie pondérée en fonction du temps pour divers niveaux de pression sonore dans différentes conditions de travail. Les données enregistrées pour le niveau de pression sonore équivalent du produit montrent une déviation standard de 1 dB (A).

<sup>13</sup> Le niveau de vibrations équivalent, selon la norme EN ISO 19432-1, correspond à la somme d'énergie pondérée en fonction du temps pour les niveaux de vibrations à différents régimes. Les données enregistrées pour le niveau de vibrations équivalent montrent une déviation standard de 1m/s<sup>2</sup>.

<sup>14</sup> Cette mesure du CO<sub>2</sub> est le résultat d'un essai, réalisé sur un cycle fixe dans des conditions de laboratoire, portant sur un moteur (parent) représentatif du type de moteurs (de la famille de moteurs), et ne constitue pas une indication ou une garantie des performances d'un moteur particulier.

<b>K 770 VAC</b>	
Moteur 2 temps	711 g/kWh

<b>Extracteur de poussière recommandé <sup>15</sup></b>	
Débit d'air min., m <sup>3</sup> /h CFM	400 (236)
Dépression min., en kPa (psi)	22 (3,6)
Élévation d'eau min., m (po)	2,3 (90)
Fixation pour l'extracteur de poussière, mm (po)	50 (2)

### Lame de coupe diamantée recommandée, spécifications

Diamètre de lame de coupe, en mm (po)	Profondeur de coupe maximale, en mm (po)	Vitesse nominale de la lame, en tr/min	Vitesse périphérique max., en m/s (pi/min)	Diamètre du trou central de la lame, mm (po)	Épaisseur de lame max., en mm (po)
300 (12)	122 (4,8)	6200	100 (19600)	25,4 (1) ou 20 (0,79)	4 (0,16)

<sup>15</sup> Les caractéristiques techniques des aspirateurs industriels ne fournissent pas de comparaison entre les performances réelles sur la durée des différents modèles d'aspirateurs industriels. Pour les produits HUSQ-VARNA, vous trouverez des données objectives OSHA sur [www.husqvarnacp.com/us](http://www.husqvarnacp.com/us)



# Déclaration de conformité

## Déclaration de conformité UE

Nous, **Husqvarna AB**, SE-561 82 Huskvarna, Suède,  
tél : +46-36-146500, déclarons sous notre entière  
responsabilité que le produit :

<b>Description</b>	<b>Découpeuse portable</b>
<b>Marque</b>	HUSQVARNA
<b>Type/Modèle</b>	K 770 VAC
<b>Identification</b>	Numéros de série à partir de 2022 et ultérieurs

est entièrement conforme à la réglementation et aux  
directives de l'UE suivantes :

<b>Directive/Réglementation</b>	<b>Description</b>
2006/42/EC	« relative aux machines »
2000/14/EC	« relative au bruit extérieur »
2014/30/EU	« relative à la compatibilité électromagnétique »
2011/65/EU	« relative aux limitations de l'utilisation de substances dangereuses »

et que les normes harmonisées et/ou les spécifications  
techniques suivantes sont appliquées :

EN ISO 12100:2010, EN ISO 19432-1:2020, EN  
55012:2008+A1:2009, EN ISO 14982:2009, EN IEC  
63000:2018

Procédure d'évaluation de conformité conformément à  
2000/14/EC : Annexe V. Pour toute information relative  
aux émissions sonores, reportez-vous à la section  
*Caractéristiques techniques à la page 95.*

SMP Svensk Maskinprovning AB a effectué un examen  
volontaire conformément à l'annexe V de la directive  
2000/14/EC du conseil.

Partille, 2022-04-20



Erik Silfverberg

Directeur R&D, équipement de découpe et forage du  
béton

Husqvarna AB, division Construction

Responsable de la documentation technique



---

## Inhoud

---

Inleiding.....	98	Probleemoplossing.....	124
Veiligheid.....	100	Vervoer, opslag en verwerking.....	125
Montage.....	109	Technische gegevens.....	126
Werking.....	112	Verklaring van overeenstemming.....	128
Onderhoud.....	118		

---

## Inleiding

---

### Productbeschrijving

Deze HUSQVARNA-doorslijpmachine is een draagbare, handbediende doorslijpmachine, aangedreven door een tweetaktverbrandingsmotor. Het product heeft een bladbeschermkap, een verlengstuk voor de bladbeschermkap en een stofscherm dat deeltjes en vonken vangt en ze uit de buurt van de gebruiker houdt. Het product werkt met een externe stofafzuiger.

### Gebruik

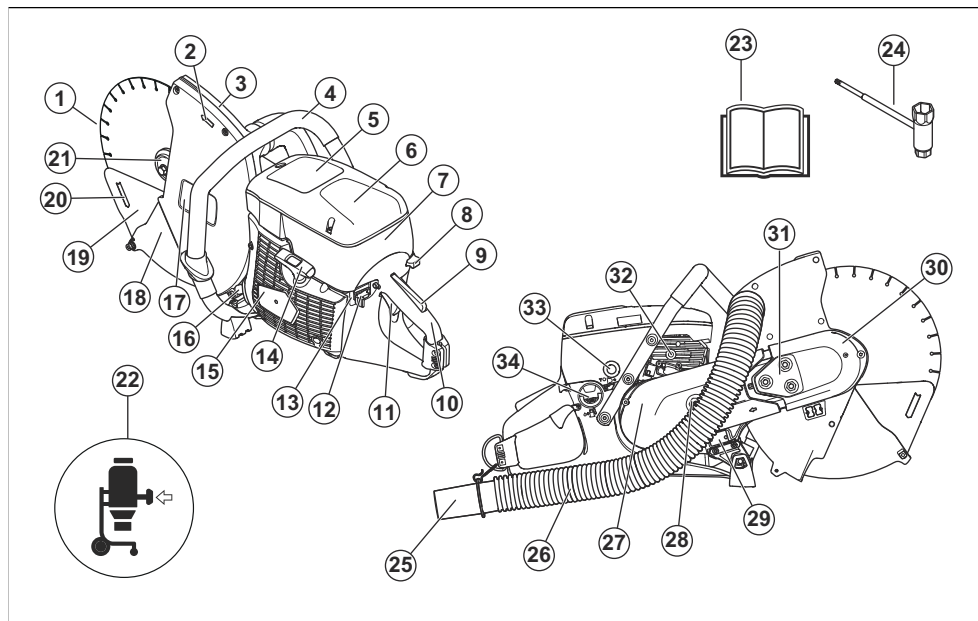
Het product wordt gebruikt om harde materialen als beton, metselwerk en steen te zagen. Gebruik

het product niet voor andere taken. Het product mag uitsluitend worden gebruikt door professionele gebruikers met ervaring.

**Let op:** Nationale wetgeving kan het gebruik van dit product mogelijk beperken.

---

### Productoverzicht K 770 VAC



1. Zaagblad (niet meegeleverd)
2. Rotatierichting
3. Bladbeschermkap
4. Voorste handgreep

5. Waarschuingsplaatje
6. Luchtfilterdeksel
7. Sticker startinstructie
8. Chokehendel

9. Gashendelvergendeling
10. Achterste handvat
11. Gashendel
12. Stopschakelaar
13. Uitschakelfunctie voor OilGuard
14. Starthendel
15. Starterhuis
16. Geluiddemper
17. Sticker snijuitrusting
18. Verlengstuk bladbeschermkap
19. Stofbescherming
20. Snijrichting
21. Flens, spil, lagerbus
22. Stofafzuiger (niet meegeleverd)
23. Gebruiksaanwijzing
24. Combisleutel
25. Opzetstuk voor stofafzuiger
26. Slang
27. Riembescherming achter
28. Riemspanner
29. Typeplaatje
30. Riembescherming voor
31. Borgschroeven voor riemverstelling
32. Decompressieklep
33. Primerbalg van brandstofpomp
34. Tankdop

## Symbolen op het product



WAARSCHUWING! Het product kan bij onjuist of onachtzaam gebruik een gevaarlijk gereedschap zijn dat ernstig of zelfs dodelijk letsel aan de gebruiker of anderen kan toebrengen.



Lees de bedieningshandleiding goed door en zorg dat u de instructies hebt begrepen voordat u dit product gaat gebruiken.



Gebruik altijd een goedgekeurde persoonlijke beschermingsuitrusting. Zie *Persoonlijke beschermingsuitrusting op pagina 102*.



Dit product voldoet aan de geldende EU-richtlijnen.



WAARSCHUWING! Bij het frezen komt stof vrij, dat schadelijk kan zijn bij inademing. Gebruik een goedgekeurd stofmasker. Vermijd het inademen van uitlaatgassen. Zorg voor voldoende ventilatie.



WAARSCHUWING! Een terugslag kan plotseling, snel en krachtig zijn en kan levensbedreigend letsel veroorzaken. Lees de gebruiksaanwijzing aandachtig door en gebruik het product niet voordat u de instructies goed hebt begrepen. Zie *Terugslag op pagina 106*.



WAARSCHUWING! Vonken van het zaagblad kunnen brand veroorzaken in brandbare materialen, zoals brandstof, hout, kleding, droog gras etc.



WAARSCHUWING! Zorg ervoor dat de slijpschijven vrij van barsten en andere beschadigingen zijn.



WAARSCHUWING! Gebruik geen zaagbladen bestemd voor cirkelzagen.



WAARSCHUWING! Gebruik geen gebonden abrasieve zaagbladen.



WAARSCHUWING! Alleen voor droogzagen.



Gebruik alleen diamantzaagbladen.



Choke



Primerbalg



Decompressieklep



Startkoordgreep



Gebruik een brandstofmengsel van benzine en olie.

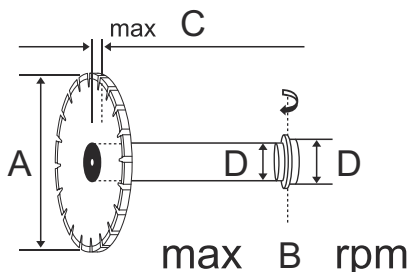


Sluit de externe stofzuiger aan op het product. Voor de vereiste specificaties, zie *Technische gegevens op pagina 126*.



Label met geluidsemissies naar de omgeving conform de richtlijnen en voorschriften van de EU en het VK. Het gegarandeerde geluidsvermogensniveau van het product staat vermeld in *Technische gegevens op pagina 126* en op het label.

## Sticker snijuitrusting



A: Diameter zaagblad.

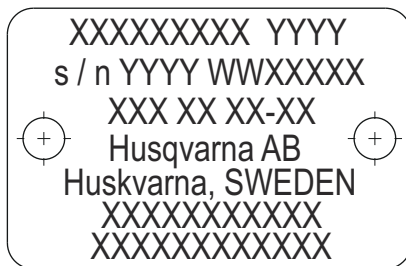
B: Maximale toeren.

C: Maximale dikte blad.

D: Afmeting lagerbus.

**Let op:** Andere symbolen of plaatjes op het product hebben betrekking op certificeringseisen voor bepaalde markten.

## Typeplaatje



Rij 1: Merk, model (X, Y)

Rij 2: Serienr. met productiedatum (Y, W, X): Jaar, week, volgnr.

Rij 3: Productnr. (X)

Rij 4: Fabrikant

Rij 5: Adres fabrikant

Rijen 6-7: Indien van toepassing, EU-typegoedkeuringsnummer of Chinees MEIN-nummer

## Euro V-emissies



**WAARSCHUWING:** De EU-typegoedkeuring van dit product vervalt als ongeoorloofde wijzigingen aan de motor aangebracht worden.

## Schade aan het product

We zijn niet verantwoordelijk voor schade aan ons product als:

- het product niet goed is gerepareerd.
- het product is gerepareerd met onderdelen die niet van de fabrikant afkomstig zijn, of onderdelen die niet zijn goedgekeurd door de fabrikant.
- het product een accessoire bevat dat niet afkomstig is van de fabrikant of niet is goedgekeurd door de fabrikant.
- het product niet is gerepareerd door een erkend servicepunt of door een erkende autoriteit.

## Veiligheid

### Veiligheidsdefinities

Waarschuwingen, voorzorgsmaatregelen en opmerkingen worden gebruikt om te wijzen op belangrijke delen van de handleiding.



**WAARSCHUWING:** Wordt gebruikt om te wijzen op de kans op ernstig of fataal letsel voor de gebruiker of omstanders

wanneer de instructies in de handleiding niet worden gevolgd.



**OPGELET:** Wordt gebruikt indien er een risico bestaat op schade aan het product en andere eigendommen of aan de omgeving wanneer de instructies in de handleiding niet worden gevolgd.

---

**Let op:** Geven verdere informatie die nodig is in een bepaalde situatie.

---

## Algemene veiligheidsinstructies

---



**WAARSCHUWING:** Lees de volgende waarschuwingen voordat u het product gaat gebruiken.

---

- Een doorslijpmachine kan bij onoplettend of onjuist gebruik een gevaarlijk apparaat zijn dat ernstig letsel of de dood kan veroorzaken. Het is erg belangrijk dat u deze gebruiksaanwijzing leest en begrijpt. Wij adviseren ook om nieuwe gebruikers praktijklessen te geven voordat zij de machine gaan gebruiken.
- De oorspronkelijke vormgeving van het product mag in geen enkel geval worden gewijzigd zonder toestemming van de fabrikant. Gebruik nooit een product dat gewijzigd lijkt te zijn door anderen, en gebruik altijd originele accessoires. Niet goedgekeurde wijzigingen en/of niet-originele onderdelen kunnen tot ernstig persoonlijk letsel of de dood van zowel gebruiker als omstanders leiden.
- Houd het product schoon. Aanduidingen en plaatjes moeten volledig zichtbaar zijn.
- Laat de machine nooit gebruiken door kinderen of andere personen die niet zijn opgeleid voor het gebruik van of onderhoud aan het product.
- Laat niemand het product gebruiken, tenzij u zeker weet dat hij/zij de inhoud van de handleiding heeft begrepen.
- Langdurige inhalatie van de uitlaatgassen van de motor kan een gevaar voor de gezondheid opleveren. Wanneer de motor loopt, bevat de uitlaat chemische producten zoals onverbrande koolwaterstoffen en koolmonoxide. Het is bekend dat de inhoud van de uitlaatgassen ademhalingsproblemen, kanker, gehoortoefwijkingen of andere reproductieve schade kan veroorzaken.  
  
Koolmonoxide is kleurloos en smaakloos, en is altijd aanwezig in uitlaatgassen. Het begin van koolmonoxidevergiftiging wordt gekenmerkt door een lichte duizeligheid, die al dan niet opgemerkt wordt door het slachtoffer. Iemand kan zonder waarschuwing instorten en bewusteloos raken als de concentratie van koolmonoxide hoog genoeg is. Aangezien koolmonoxide kleurloos en geurloos is, is het mogelijk dat de aanwezigheid ervan niet wordt opgemerkt. Altijd wanneer uitlaatgeuren worden opgemerkt, is koolmonoxide aanwezig. Gebruik een doorslijpmachine op benzine nooit binnen of in greppels die meer dan 1 m diep zijn of in andere slecht geventileerde ruimtes. Zorg voor voldoende ventilatie bij werkzaamheden in greppels of andere kleine ruimtes.
- Dit product produceert tijdens bedrijf een elektromagnetisch veld. Dit veld kan onder bepaalde omstandigheden de werking van actieve of passieve medische implantaten verstoren. Om het risico op

ernstig of fataal letsel te beperken, raden we personen met een medisch implantaat aan om contact op te nemen met hun arts en de fabrikant van het medische implantaat voordat ze dit product gaan bedienen.

- De informatie in deze gebruikershandleiding kan nooit de kennis vervangen die een vakman via opleidingen en praktische ervaring heeft verworven. Wanneer u in een situatie belandt waarin u niet goed weet hoe u verder te werk moet gaan, moet u een expert raadplegen. Neem contact op met uw servicedealer. Vermijd gebruik waarvan u vindt dat u niet voldoende gekwalificeerd bent!

## Veiligheidsinstructies voor montage

---



**WAARSCHUWING:** Lees de volgende waarschuwingen voordat u het product monteert.

---

- Controleer of de motor uit is en de stopschakelaar in de STOP-stand staat.
- Draag altijd veiligheidshandschoenen wanneer u het product in elkaar zet.

## Veiligheidsinstructies voor bediening

---



**WAARSCHUWING:** Lees de volgende waarschuwingen voordat u het product gaat gebruiken.

---

- Voordat u een doorslijpmachine gaat gebruiken, moet u eerst de effecten van terugslag begrijpen en weten hoe u dit kunt voorkomen. Zie *Terugslag op pagina 106*.
- Gebruik nooit een machine die defect is. Voer de in deze handleiding beschreven veiligheidscontroles en de onderhouds- en service-instructies uit. Bepaalde onderhouds- en servicemaatregelen moeten door opgeleide en gekwalificeerde specialisten worden uitgevoerd. Zie *Onderhoud op pagina 118*.
- Gebruik het product nooit wanneer u vermoed bent, alcohol of drugs hebt gebruikt, of als u medicijnen gebruikt die uw gezichtsvermogen, beoordelingsvermogen of coördinatie kunnen beïnvloeden.
- Start het product niet zonder dat de riem en de riembescherming gemonteerd zijn. De koppeling kan losraken en letsel veroorzaken.
- Vonken van het zaagblad kunnen brand veroorzaken in brandbare materialen zoals benzine, gas, hout, kleding en droog gras.
- Gebruik een zaagblad alleen voor materiaal dat is gemaakt om te zagen.
- Zaag nooit asbestmaterialen.

## Veiligheid van het werkgebied



**WAARSCHUWING:** Lees de volgende waarschuwingen voordat u het product gaat gebruiken.

- De veiligheidsafstand voor de doorslijpmachine bedraagt 15 m. U bent verantwoordelijk dat er geen dieren en toeschouwers binnen het werkterrein zijn. Begin niet te zagen voor het werkterrein vrij is en u veilig staat.
- Houd uw omgeving in de gaten om ervoor te zorgen dat u niet de controle over het product kunt verliezen.
- Zorg ervoor dat mensen of voorwerpen niet met de doorslijpmachine in contact kunnen komen, of geraakt kunnen worden door delen die door de schijf worden gelanceerd.
- Gebruik het product nooit bij ongunstige weersomstandigheden, bijv. bij mist, regen, bij harde wind, hevige koude, etc. Het gebruik bij ongunstige weersomstandigheden is vermoeiend en kan tot gevaarlijke situaties leiden, bijvoorbeeld gladde oppervlakken.
- Begin nooit met het product te werken voordat de werkplek ontruimd is en u stevig staat. Kijk of er eventuele obstakels zijn wanneer een onverwachte verplaatsing optreedt.
- Verzeker u ervan dat er geen materiaal naar beneden kan vallen en verwondingen kan veroorzaken terwijl u met het product werkt. Wees extra voorzichtig wanneer u op hellend terrein werkt.
- Verzeker u ervan dat het werkterrein voldoende verlicht is om een veilige werkomgeving te creëren.
- Verzeker u ervan dat zich op de werkplek of in het te frezen materiaal geen leidingen of elektrische kabels bevinden.
- Als u in een houder slijpt (vat, buis, of andere container) moet u eerst controleren of deze geen brandbare of andere vluchtige stoffen bevat.

## Persoonlijke beschermingsuitrusting



**WAARSCHUWING:** Lees de volgende waarschuwingen voordat u het product gaat gebruiken.

- Gebruik altijd goedgekeurde persoonlijke beschermingsmiddelen wanneer u het product gebruikt. Een persoonlijke beschermingsuitrusting elimineert de risico's niet, maar vermindert de ernst van het letsel als er toch een ongeluk gebeurt. Vraag uw servicedealer om advies bij de keuze van de juiste uitrusting.
- Draag een goedgekeurde veiligheidshelm.
- Gebruik goedgekeurde gehoorbescherming. Langdurige blootstelling aan lawaai kan leiden tot permanente gehoorbeschadiging. Let op waarschuwingssignalen of geroep

wanneer u gehoorbescherming draagt. Doe uw gehoorbescherming altijd af nadat de motor is gestopt.

- Gebruik goedgekeurde oogbescherming om het risico op letsel door wegslingerende voorwerpen te verlagen. Wanneer u gezichtsbescherming gebruikt, moet u ook een goedgekeurde veiligheidsbril gebruiken. Met een goedgekeurde veiligheidsbril wordt een bril bedoeld die voldoet aan norm ANSI Z87.1 voor de VS en EN 166 voor de EU-landen. Een vizier moet voldoen aan norm EN 1731.
- Draag handschoenen van dikke stof.
- Gebruik goedgekeurde ademhalingsbescherming. Het gebruik van producten zoals doorslijpmachines, slijpparamaten en boren om materiaal te schuren of te vormen, kan stof en dampen veroorzaken die gevaarlijke chemicaliën kunnen bevatten. Controleer de aard van het materiaal dat u wilt bewerken en draag een geschikt stofmasker.
- Gebruik nauwsluitende, sterke en comfortabele kleding die u volledige bewegingsvrijheid geeft. Slijpen veroorzaakt vonken die kleding kunnen doen ontbranden. HUSQVARNA adviseert om kleding van brandvertragend katoen of zware jeansstof te dragen. Draag geen kleding die is vervaardigd van nylon, polyester, rayon of een vergelijkbaar materiaal. Bij ontbranding kan dergelijk materiaal met de huid versmelten. Draag geen korte broek.
- Gebruik laarzen met stalen neus en antislipzool.
- Houd altijd een EHBO-kit in de buurt.



- Vonken kunnen afkomstig zijn van de geluiddemper of het zaagblad. Zorg dat er altijd een brandblusmiddel beschikbaar is.

## Veiligheidsvoorzieningen op het product



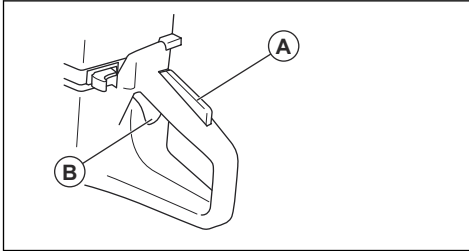
**WAARSCHUWING:** Lees de volgende waarschuwingen voordat u het product gaat gebruiken.

- Gebruik het product nooit als de veiligheidsonderdelen defect zijn! Als uw product niet door alle controles komt, neem dan contact op met uw servicewerkplaats voor reparatie.
- U mag het product niet gebruiken als beschermingsplaten, afschermingen, veiligheidsschakelaars of andere

veiligheidsvoorzieningen ontbreken of beschadigd zijn.

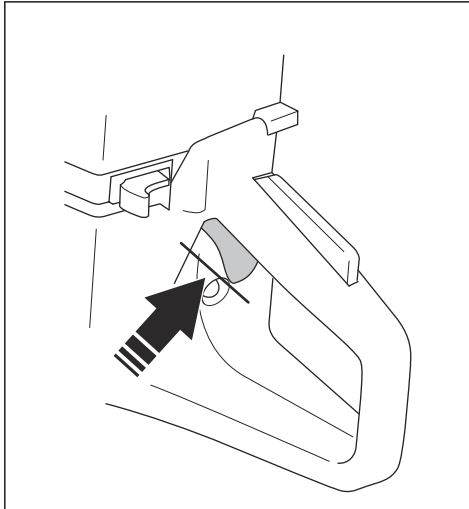
### Gashendelvergrendeling

De vergrendeling van de gashendel voorkomt dat de gashendel per ongeluk wordt bediend. Als u de handgreep vastpakt en de gashendelvergrendeling (A) indrukt, wordt de gashendel (B) ontgrendeld. Als u de handgreep loslaat, keren de gashendel en de vergrendeling van de gashendel terug naar hun beginposities. Deze functie vergrendelt de gashendel bij stationair toerental.

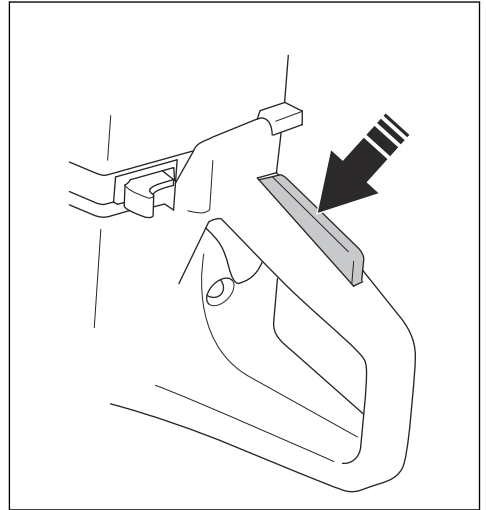


### Gashendelvergrendeling controleren

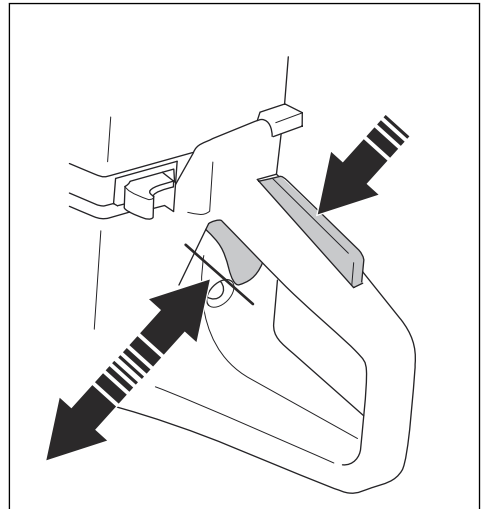
1. Controleer of de gashendel vergrendeld is in de stationaire stand wanneer u de gashendelvergrendeling loslaat.



2. Druk de gashendelvergrendeling in en controleer of deze teruggaat naar de oorspronkelijke stand wanneer u deze loslaat.

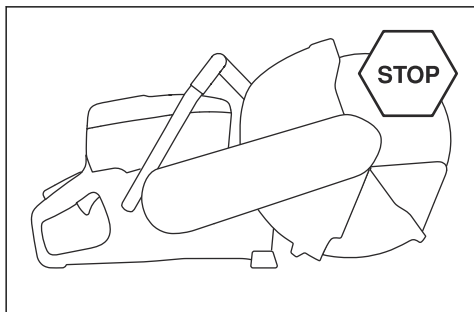


3. Controleer of de gashendel en de gashendelvergrendeling vrij bewegen en of de terugtrekken correct werken.



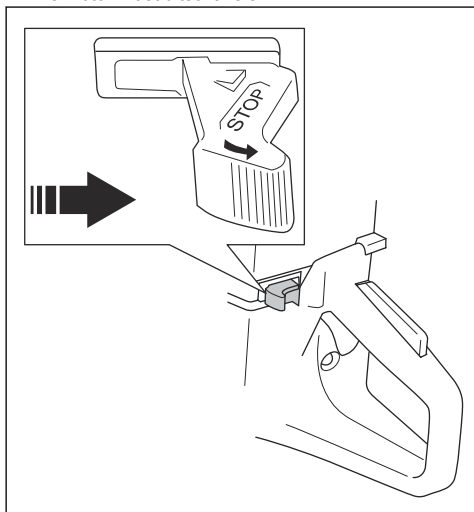
4. Start het product en laat het op vol vermogen werken.

- Laat de gashendel los en controleer of het zaagblad stopt en blijft stilstaan. Als het zaagblad in stationaire stand draait, moet u het stationaire toerental afstellen. Zie *Stationair toerental afstellen op pagina 122*.



### Stopschakelaar controleren

- Start de motor.
- Duw de start/stop-schakelaar naar de STOP-stand. De motor moet uitschakelen.

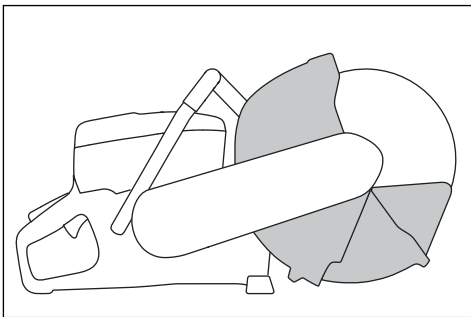


### Bladbeschermkap, verlengstuk voor bladbeschermkap en stofscherf



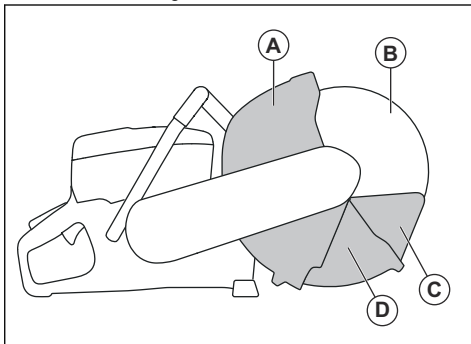
**WAARSCHUWING:** Zorg ervoor dat de bladbeschermkap, het verlengstuk voor de bladbeschermkap en het stofscherf goed vastzitten voordat u het product start. Gebruik het product niet als de bladbeschermkap, het verlengstuk voor de bladbeschermkap of het stofscherf ontbreken, gebasten of defect zijn.

- De bladbeschermkap, het verlengstuk voor de bladbeschermkap en het stofscherf houden stof weg van de gebruiker en voorkomen verwondingen als het zaagblad breekt. Het verlengstuk voor de bladbeschermkap en het stofscherf zijn veerbelast, en moeten altijd vrij bewegen en altijd onmiddellijk terugkeren door veerkracht.
- Gebruik het product niet als het verlengstuk voor de bladbeschermkap of het stofscherf in ingeschoven positie zijn vastgeklemd of vastgebonden.



### Het zaagblad, de bladbeschermkap en het verlengstuk voor de bladbeschermkap inspecteren

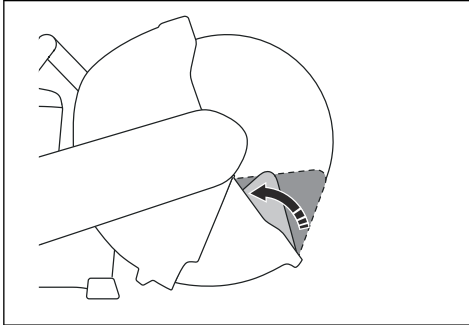
- Controleer of het zaagblad (B) correct is bevestigd en niet beschadigd is.



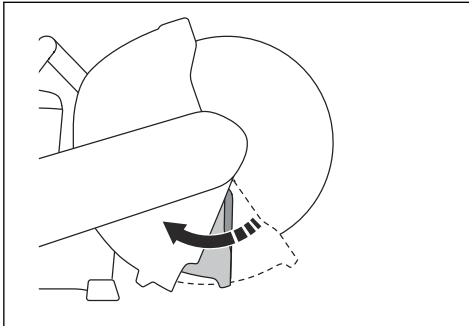
- Controleer of er geen barsten of andere beschadigingen aanwezig zijn op de bladbeschermkap (A), het verlengstuk voor de bladbeschermkap (D) en het stofscherf (C).



3. Controleer of het stofschermbaan kan worden ingedrukt en direct terugveert door de veerkracht.



4. Controleer of de bladbeschermkap kan worden ingedrukt en direct terugveert door de veerkracht.



5. Vervang het zaagblad en de bladbeschermkap als deze beschadigd zijn. Vervang het verlengstuk voor de bladbeschermkap, het stofschermbaan of hun veren als deze kapot zijn en niet direct terugveren na te zijn ingedrukt.

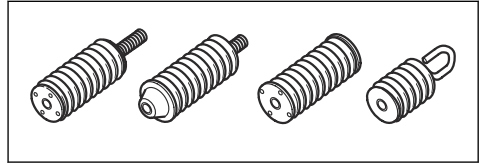
### Trillingdempingssysteem



**WAARSCHUWING:** Als men teveel wordt blootgesteld aan trillingen, kan dit tot bloedvat- en zenuwbeschadigingen leiden bij personen die een slechte bloedcirculatie hebben. Consulteer uw dokter wanneer u symptomen heeft die wijzen op te grote blootstelling aan trillingen. Dergelijke symptomen zijn o.a. een doof gevoel, gevoelloosheid, tintelingen, een prikkelend gevoel, pijn, krachtverlies, veranderingen van huidskleur of conditie van de huid. Deze symptomen komen meestal voor op vingers, handen of polsen. Deze symptomen kunnen toenemen bij koude temperaturen.

Uw product is uitgerust met een trillingdempingssysteem dat is ontworpen om trillingen te minimaliseren en de bediening te vergemakkelijken. Het trillingdempingssysteem van het product reduceert

het overbrengen van trillingen van de motoreenheid/snijuitrusting op de handgreep van het product.



Het zagen van graniet of hard beton creëert meer trillingen dan het zagen van zacht beton. Zagen met een botte of verkeerde snijuitrusting (verkeerd type of verkeerd geslepen) verhoogt het trillingniveau.

### Trillingdempingssysteem controleren



**WAARSCHUWING:** Zorg ervoor dat de motor uitgeschakeld is en dat de stopschakelaar in de STOP-stand staat.

1. Controleer de trillingdempers op scheuren of vervorming. Vervang de trillingdempers als deze beschadigd zijn.
2. Controleer of de trillingdempers op de juiste wijze zijn bevestigd op de motor en de handgreep.

### Geluidemper

De uitlaatdemper is bedoeld om het geluidsniveau zo laag mogelijk te houden en om de uitlaatgassen weg te voeren van de gebruiker.

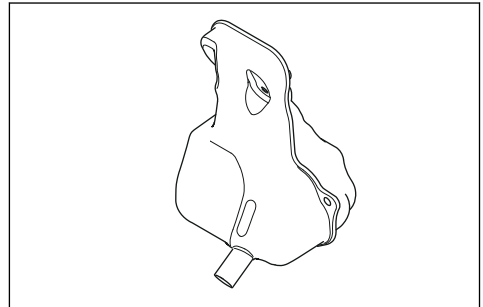
Gebruik het product niet als de geluidemper ontbreekt of beschadigd is. Een beschadigde geluidemper laat het geluidniveau stijgen en vergroot het risico van brand.



**WAARSCHUWING:** De geluidemper wordt zeer heet, zowel tijdens als na gebruik. Dit geldt ook bij stationair draaien. Wees oplettend op brandgevaar, vooral bij hantering vlakbij brandgevaarlijke stoffen en/of gassen.

### De geluidemper inspecteren

1. Controleer of de geluidemper niet beschadigd is.



- Controleer of de geluiddemper correct is aangebracht.

## Terugslag

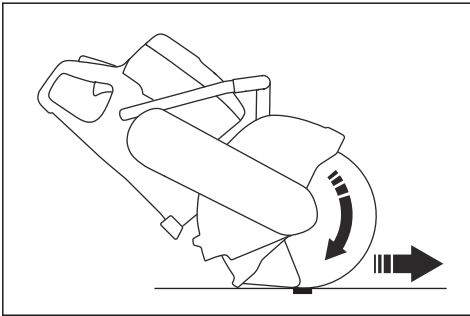


**WAARSCHUWING:** Een terugslag treedt plotseling op en kan erg hevig zijn. De doorslijpmachine kan omhoog schieten en met een draaiende beweging tegen de gebruiker aan worden geworpen, wat ernstig of zelfs fataal letsel kan veroorzaken. Het is van essentieel belang dat u, voordat u het product gaat gebruiken, begrijpt waardoor terugslag wordt veroorzaakt en hoe u dit kunt voorkomen.

Terugslag is een plotselinge opwaartse beweging die kan optreden wanneer het zaagblad vastslaat of stilvalt in de terugslagrisicosector. Een terugslag is meestal gering en levert weinig gevaar op. Een terugslag kan echter ook zeer hevig zijn en de doorslijpmachine omhoog laten schieten en met een draaiende beweging terugwerpen naar de gebruiker, wat ernstig of zelfs fataal letsel kan veroorzaken.

### Reactieve kracht

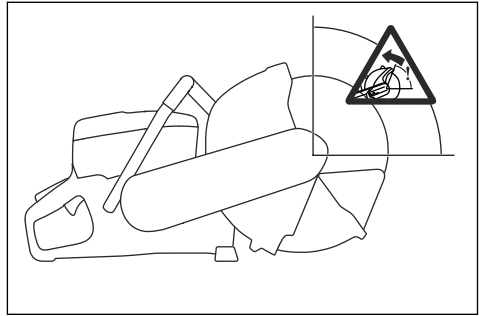
Bij het zagen is er altijd sprake van een reactieve kracht. Deze kracht trekt het product in tegengestelde richting ten opzichte van de bladrotatie. Meestal is deze kracht verwaarloosbaar. Als het zaagblad vastslaat of stilvalt, zal de reactieve kracht echter sterk zijn, waardoor u de macht over de doorslijpmachine kunt verliezen.



Verplaats het product nooit wanneer de snijuitrusting draait. Gyroscopische krachten kunnen de beoogde beweging belemmeren

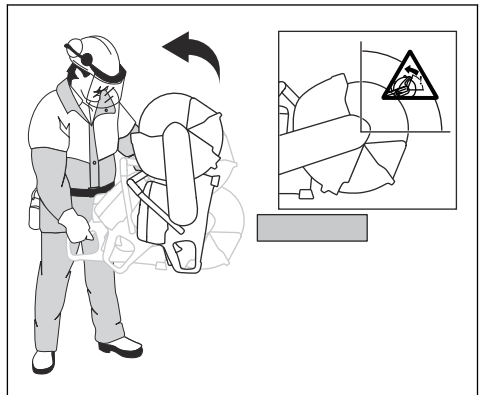
### Terugslagrisicosector

Gebruik de terugslagrisicosector van het zaagblad nooit om te zagen. Als het zaagblad vastslaat of stilvalt in de terugslagrisicosector zal de reactieve kracht de doorslijpmachine omhoog duwen en in een draaiende beweging terugwerpen naar de gebruiker, wat ernstig of zelfs fataal letsel kan veroorzaken.



### Roterende terugslag

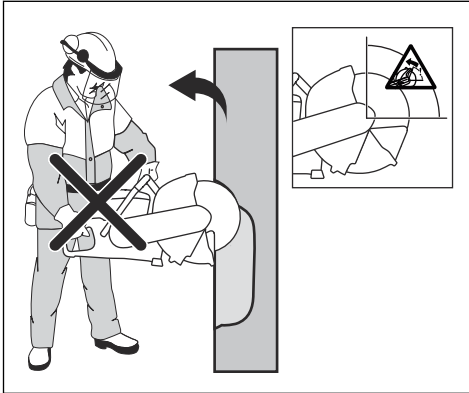
Een roterende terugslag treedt op wanneer het zaagblad niet vrij beweegt in de terugslagrisico-sector.



### Terugslag door "klimmen"

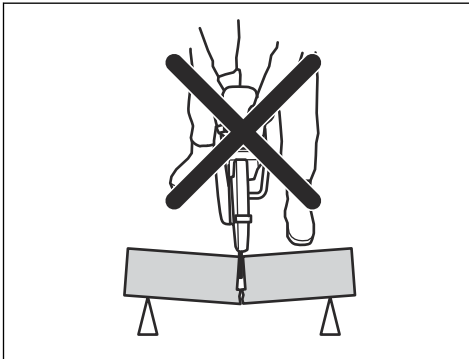
Als de terugslagrisicosector wordt gebruikt om te zagen, zal het zaagblad in de zaagsnede "klimmen" als gevolg van de reactieve kracht. Gebruik de terugslagrisicosector van het zaagblad niet. Gebruik het

onderste kwadrant van het zaagblad om terugslag door "klimmen" te voorkomen.



### Terugslag door vastslaan

Vastslaan treedt op wanneer de zaagsnede dichtklapt en het zaagblad blokkeert. Als het zaagblad vastslaat of stilvalt, zal de reactieve kracht echter sterk zijn, waardoor u de macht over de doorslijpmachine kunt verliezen.



Als het zaagblad vastslaat of stilvalt in de terugslagrisicosector zal de reactieve kracht de doorslijpmachine omhoog duwen en in een draaiende beweging terugwerpen naar de gebruiker, wat ernstig of zelfs fataal letsel kan veroorzaken. Wees alert op mogelijke verplaatsing van het werkstuk. Als het werkstuk niet goed wordt ondersteund en verschuift tijdens het zagen, kan het blad vastslaan en een terugslag veroorzaken.

### Snijden in leidingen

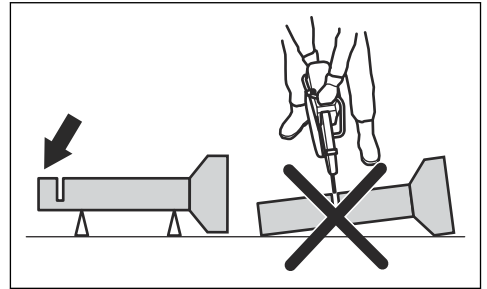


**WAARSCHUWING:** Als het zaagblad vastslaat in de terugslagrisicozone, zal dat een ernstige terugslag veroorzaken.

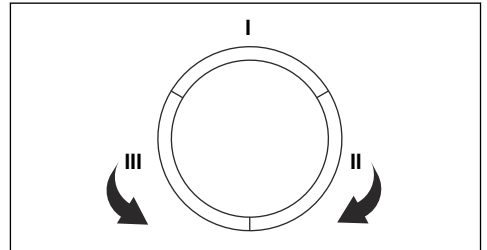
Wees extra voorzichtig bij het snijden van pijpen. Als de leiding niet goed wordt ondersteund en de snede tijdens het zagen open wordt gehouden, kan het zaagblad vastslaan. Wees extra alert bij het snijden van een pijp met klokvormig uiteinde of een pijp die in een sleuf ligt. Als deze onvoldoende wordt ondersteund, kan deze doorbuigen en het blad vastklemmen.

Als de leiding kan wegzakken en de zaagsnede daarmee afsluit, zal het zaagblad in de terugslagrisico-sector vastslaan en mogelijk een ernstige terugslag veroorzaken. Als de leiding goed wordt ondersteund, wordt het uiteinde van de leiding naar beneden verplaatst, is de zaagsnede open en slaat het blad niet vast.

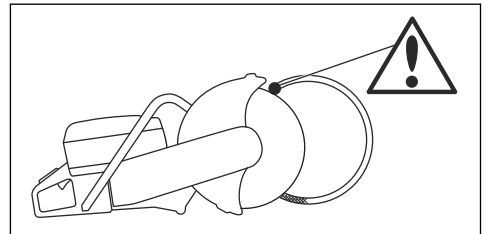
1. Zet de leiding vast, zodat deze niet beweegt of rolt tijdens het snijden.



2. Snijd deel "I" van de leiding.



3. Zorg dat de snede opent om vastslaan te voorkomen.



4. Ga naar zijde II en maak een snede vanaf sectie I tot aan de onderkant van de leiding.
5. Ga naar zijde III en zaag het resterende deel van de leiding af, eindigend aan de onderkant.

## Een terugslag voorkomen



**WAARSCHUWING:** Voorkom situaties waar risico op terugslag bestaat. Wees voorzichtig bij het gebruik van uw doorslijpmachine en zorg ervoor dat het mes nooit vastslaat in de terugslagrisico-sector.



**WAARSCHUWING:** Wees voorzichtig als u het blad in een bestaande snede plaatst.

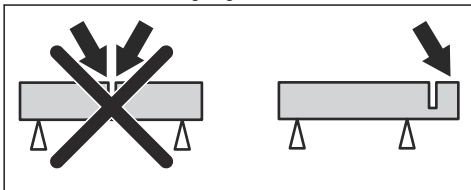


**WAARSCHUWING:** Zorg dat het werkstuk niet kan bewegen tijdens het zagen.



**WAARSCHUWING:** Alleen uzelf en een juiste werktechniek kunnen terugslag en de bijbehorende risico's elimineren.

- Ondersteun het werkstuk altijd, zodat de snede open blijft tijdens het zagen. Wanneer de zaagsnede open is, treedt er geen terugslag op. Wanneer de zaagsnede gesloten raakt en het zaagblad vastslaat, bestaat er een terugslagrisico.



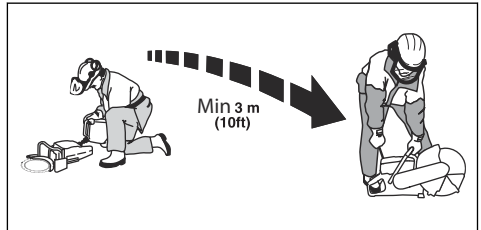
## Brandstofveiligheid



**WAARSCHUWING:** Lees de volgende waarschuwingen voordat u het product gaat gebruiken.

- Zorg voor voldoende ventilatie tijdens het tanken of het mengen van brandstof (benzine en tweetaktolie).
- Wees voorzichtig bij het hanteren van brandstof. Brandstof en brandstofdampen zijn zeer brandgevaarlijk. Vergeet het brand-, explosie- en inademingsgevaar niet.
- Rook niet en plaats ook geen warme voorwerpen in de buurt van de brandstof.
- Stop de motor en laat hem voor het tanken enkele minuten afkoelen.
- Open de dop van de tank voorzichtig wanneer u wilt tanken zodat eventuele overdruk langzaam verdwijnt.

- Draai de dop van de tank goed vast na het tanken. Als de dop niet goed wordt vastgedraaid, kan deze door trilling losraken en kan er brandstof ontsnappen uit de brandstoftank, waardoor er brandgevaar ontstaat.
- Tank nooit wanneer de motor van de machine loopt.
- Haal het product altijd ten minste 3 m (10 ft) weg van de tankplaats en brandstofopslagplaats voordat u het start.



Na het tanken zijn er nog enkele situaties waarin u het product nooit mag starten:

- Als u brandstof op het product hebt gemorst. Neem alle gemorste brandstof af en laat de benzineresten verdampen.
- Als u brandstof op uzelf of op uw kleding hebt gemorst. Trek schone kleding aan en was uw lichaamsdelen die in contact zijn gekomen met brandstof. Gebruik water en zeep.
- Als het product brandstof lekt. Controleer de tankdop en brandstofleidingen regelmatig op lekkage.

## Veiligheidsinstructies voor onderhoud



**WAARSCHUWING:** Lees de volgende waarschuwingen voordat u het product gaat gebruiken.

- Zorg ervoor dat de motor uitgeschakeld is en dat de stopschakelaar in de STOP-stand staat.
- Maak altijd gebruik van persoonlijke beschermingsmiddelen. Zie *Persoonlijke beschermingsuitrusting op pagina 102*.
- Als het onderhoud niet correct en regelmatig wordt uitgevoerd, neemt de kans op letsel of schade aan het product toe.
- Voer alleen onderhoud uit zoals beschreven in deze bedieningshandleiding. Laat een goedgekeurde servicewerkplaats alle andere onderhoudswerkzaamheden uitvoeren.
- Laat een erkende HUSQVARNA servicewerkplaats regelmatig onderhoud aan het product uitvoeren.
- Vervang beschadigde, versleten of defecte onderdelen.
- Gebruik altijd originele accessoires.

---

# Montage

---

## Inleiding



**WAARSCHUWING:** Zorg dat u het hoofdstuk over veiligheid hebt gelezen en begrepen voordat u het apparaat monteert.

## Slijpschijven



**WAARSCHUWING:** Gebruik geen gebonden zaagbladen om het risico op letsel of brand te verminderen. Gebruik alleen aanbevolen diamantzaagbladen in combinatie met de meegeleverde flens.



**WAARSCHUWING:** Een zaagblad kan kapot gaan en ernstig persoonlijk letsel bij de gebruiker veroorzaken.



**WAARSCHUWING:** De fabrikant van het zaagblad verstrekt waarschuwingen en aanbevelingen voor correct gebruik en onderhoud van het zaagblad. Deze waarschuwingen worden bij de zaagbladen geleverd. Lees en volg alle instructies van de fabrikant van het zaagblad.



**WAARSCHUWING:** Het zaagblad moet worden gecontroleerd voordat deze op het product wordt gemonteerd en vervolgens regelmatig tijdens gebruik. Let op barsten, ontbrekende segmenten (diamantzaagbladen) of afgebroken onderdelen. Gebruik nooit een beschadigd zaagblad.

HUSQVARNA-zaagbladen zijn geschikt voor gebruik met hoge toerentallen en goedgekeurd voor draagbare doorslijpmachines.

- Het zaagblad moet worden gecontroleerd voordat deze op het product wordt gemonteerd en vervolgens regelmatig tijdens gebruik. Let op barsten, ontbrekende segmenten (diamantzaagbladen) of afgebroken onderdelen. Gebruik nooit een beschadigd zaagblad.
- Lees en volg de bij het zaagblad meegeleverde instructies.
- Zaagbladen van hoge kwaliteit zijn meestal de meest voordelige.
- Zaagbladen van mindere kwaliteit hebben vaak een slechter zaagvermogen en kortere levensduur, wat leidt tot hogere kosten in verhouding tot de hoeveelheid materiaal die is verwerkt.

- Let op dat u de juiste bus gebruikt om het zaagblad op de machine te monteren. Zie *De spilbus controleren op pagina 111*.
- Test de integriteit van elke nieuw zaagblad door deze bij maximum toerental gedurende ongeveer 1 minuut te laten draaien.

## Goede zaagbladen



**WAARSCHUWING:** Lees de volgende waarschuwingen en volg deze op voordat u het product gaat gebruiken.

- Gebruik een zaagblad nooit voor ander materiaal dan waarvoor hij is bedoeld.
- Gebruik alleen een diamantzaagblad dat is gemaakt voor droogzagen.
- Gebruik nooit getande bladen of schijven bedoeld voor het zagen van hout, cirkelvormige getande bladen, hardmetalen bladen, etc. Dit vergroot de kans op terugslag en het afbreken van tanden bij hoge toerentallen. Achteloosheid kan resulteren in ernstig of zelfs dodelijk persoonlijk letsel.
- Gebruik nooit een diamantzaagblad met een lagere toerental aanduiding dan die van de doorslijpmachine. Gebruik alleen diamantzaagbladen die in overeenstemming zijn met de nationale of regionale normen, bijvoorbeeld EN13236 of ANSI B7.1 .
- Het zaagblad moet worden goedgekeurd voor dezelfde of een hogere toerental aanduiding dan die van het product. De toerental aanduiding wordt aangegeven op de bladbeschermkap.
- Veel zaagbladen die aan dit product kunnen worden gekoppeld, worden gemaakt voor stationaire zagen. De toerental aanduiding van deze zaagbladen is te laag voor dit product.
- Selecteer een zaagblad waarvan de afmeting van de middelste opening overeenkomt met de op de machine geïnstalleerde lagerbus.

## Vibratie in de zaagbladen

- Het zaagblad kan zijn rondheid verliezen en trillen wanneer te veel invoerdruk wordt gebruikt.
- Een lagere invoerdruk kan het trillen opheffen. Vervang anders het zaagblad.

## Diamantzagen



**WAARSCHUWING:** Gebruik een diamantzaagblad nooit voor het zagen van kunststoffen. Door de warmte die tijdens het zagen wordt gegenereerd, kan het kunststof gaan smelten en aan het zaagblad blijven plakken en terugslag veroorzaken.



## WAARSCHUWING:

Diamantzaagbladen worden zeer heet tijdens het gebruik. Een oververhit zaagblad is het gevolg van een onjuist gebruik en kan vervorming van de schijf veroorzaken, wat weer kan leiden tot schade en letsel.

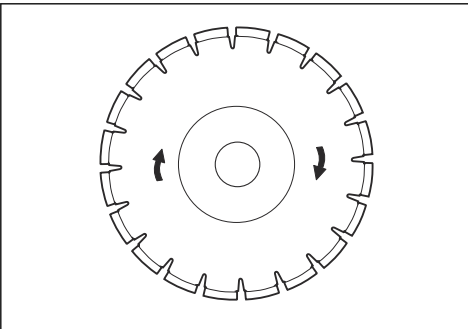


**WAARSCHUWING:** Het zagen van metaal kan brand veroorzaken en schade aan dit product of de stofafzuiger.

**Let op:** Diamantzaagbladen zijn verkrijgbaar in een aantal hardheidsgradaties.

**Let op:** Slijp het zaagblad door zachte materialen te zagen, zoals zandsteen of baksteen.

- Gebruik altijd een scherpe diamantzaag.
- Diamantzagen kunnen bot worden bij een verkeerde voedingsdruk of het zagen van bepaalde materialen, zoals zwaar gewapend beton. Werken met een bot diamantzaagblad leidt tot oververhitting, wat ertoe kan leiden dat diamantsegmenten losraken.
- Diamantzaagbladen hebben een stalen blad voorzien van segmenten die industriële diamanten bevatten.
- Diamantzagen bieden vooral voordelen bij metselwerk, gewapend beton en andere samengestelde materialen.
- Diamantzaagbladen zorgen voor lagere kosten per zaagoperatie, minder zaagbladvervangingen en een constante zaagdiepte.
- Let er bij het gebruik van een diamantzaag op dat deze in de richting van de pijl op het zaagblad draait.



## Diamantzaagbladen voor droogzagen

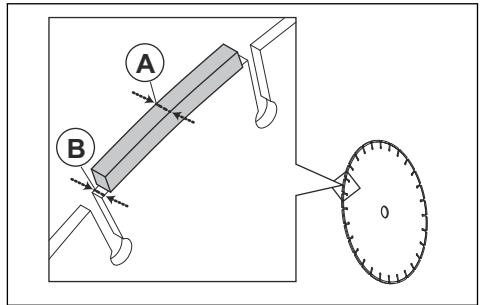
- Tijdens het zagen, zorgt de wrijving in de zaagsnede ervoor dat het diamantzaagblad opwarmt. Als het blad te heet wordt, kan dit leiden tot verlies van bladspanning of kernbreuken.
- Hoewel er geen water nodig is voor koeling, moeten de droogzaagbladen worden gekoeld met

luchtstroming rondom de zaagbladen. Om deze reden worden droogzaagbladen alleen aanbevolen voor intermitterend zagen. Na elke paar seconden zagen moet het zaagblad even onbelast "vrij" lopen om ervoor te zorgen dat de luchtstroming rondom het blad de hitte kan verdrijven.

## Diamantzaagblad - Zijdelingse speling



**WAARSCHUWING:** Bepaalde zaagsituaties of bladen van slechte kwaliteit kunnen leiden tot overmatige slijtage aan de zijkant van de segmenten. Zorg dat het diamantsegment (A) breder is dan het blad (B). Dit om vastslaan in de zaagsnede en terugslag te voorkomen. Zie *Terugslag op pagina 106*.



**OPGELET:** Bepaalde zaagsituaties en bladen van slechte kwaliteit kunnen leiden tot overmatige slijtage aan de zijkant van de segmenten. Vervang het zaagblad voordat het is versleten.

## De spilas en de flensringen inspecteren



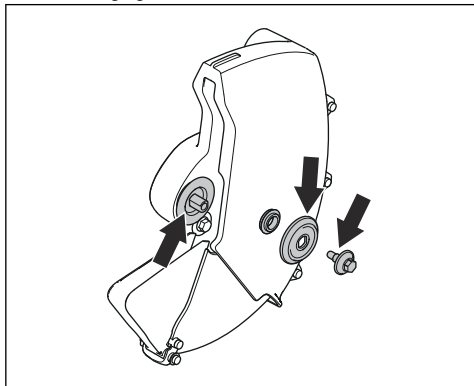
**OPGELET:** Gebruik alleen HUSQVARNA flensringen met een minimale diameter van 60 mm (2,36 inch).



**WAARSCHUWING:** Door verkeerde flensringen kan het mes beschadigd raken of losraken. Gebruik geen defecte, versleten of vuile flensringen. Gebruik alleen flensringen van dezelfde afmetingen.

Inspecteer de spilas en de flensringen wanneer u het zaagblad vervangt. Vervang beschadigde onderdelen.

1. Controleer de schroefdraad op de spilas op beschadiging.

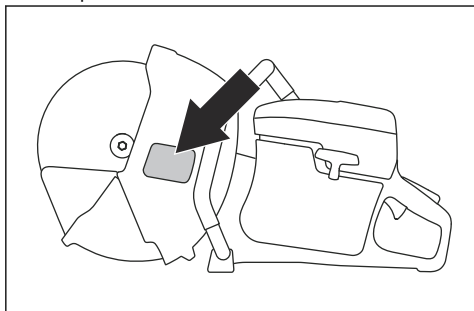


2. Controleer of de contactvlakken op het zaagblad en de flensringen niet beschadigd zijn.
3. Controleer of de flensringen schoon zijn en de juiste afmeting hebben.
4. Controleer of de flensringen correct werken op de spilas.

### De spilbus controleren

De spilbussen worden gebruikt om de machine passend te maken voor het middengat in het zaagblad. De machine wordt geleverd met een lagerbus die kan worden omgedraaid voor bladen met een middengat van 20 mm of 1 inch (25,4 mm), of met een vaste lagerbus van 20 mm.

- Een sticker op de bladbeschermkap geeft aan welke bus af-fabriek is aangebracht en vermeldt de juiste bladspecificatie.



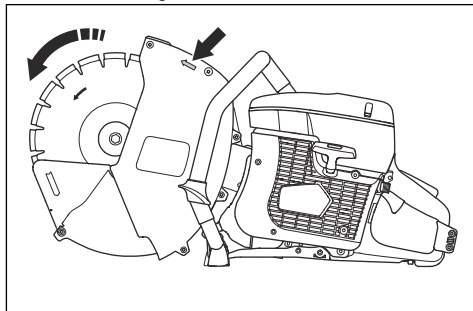
Gebruik alleen spilbussen van HUSQVARNA.

- Zorg dat de spilbus de correcte afmeting heeft voor het zaagblad. De correcte afmeting staat vermeld op het zaagblad.

### De rotatierichting van het zaagblad controleren

1. Zoek de pijl op de bladbeschermkap die de richting aangeeft waarin het zaagblad roteert.

2. Zoek de pijl op het zaagblad die de richting aangeeft waarin het zaagblad roteert.



3. Zorg ervoor dat de pijlen op de bladbeschermkap en het zaagblad dezelfde richting aangeven.

### Het zaagblad monteren

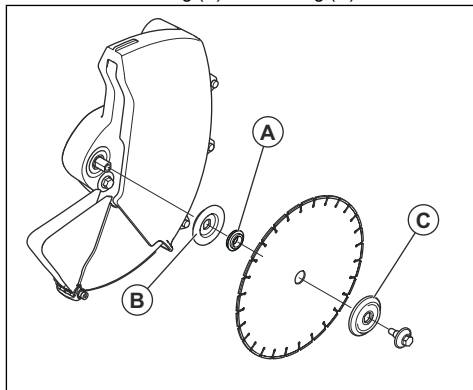


**WAARSCHUWING:** Zorg ervoor dat de motor uitgeschakeld is en dat de stopschakelaar in de STOP-stand staat.

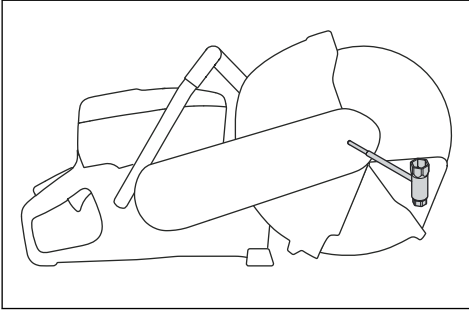


**WAARSCHUWING:** Draag altijd veiligheidshandschoenen wanneer u het product in elkaar zet.

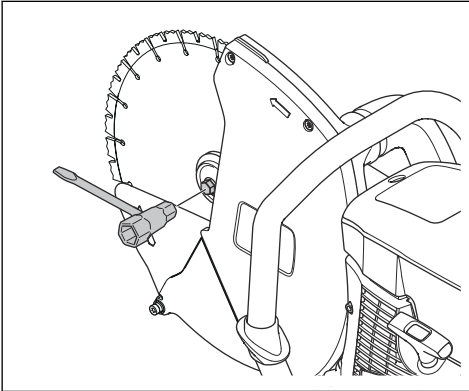
1. Inspecteer de flensringen en de spilas wanneer het zaagblad wordt aangebracht. Zie *De spilas en de flensringen inspecteren op pagina 110*.
2. Plaats het zaagblad op lagerbus (A) tussen de binnenste flensring (B) en flensring (C).



3. Vergrendel de poelie.



4. Draai de bout vast tot 30 Nm (18,5 ft-lbs).



## Het zaagblad slijpen

**Let op:** Gebruik een scherp zaagblad voor de beste resultaten.

- Zaag om het blad te slijpen in een zacht materiaal, zoals zandsteen of baksteen.

## Werking

### Inleiding

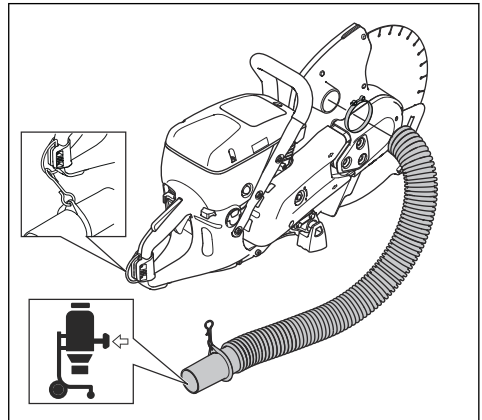


**WAARSCHUWING:** Voordat u de machine gebruikt, moet u het hoofdstuk over veiligheid en de bedieningsinstructies zorgvuldig lezen en begrijpen.

### Externe stofafzuiger aansluiten

Gebruik het product niet zonder een externe stofafzuiger. Voor specificaties voor een geschikte stofafzuiger, zie *Technische gegevens op pagina 126*

1. Sluit de stofafzuiger aan op het verlengstuk voor de stofafzuiger op de doorslijpmachine.



2. Raadpleeg de bedieningshandleiding van de stofafzuiger voor bijzonderheden met betrekking tot de stofafzuiger.



## Basistechniek



**WAARSCHUWING:** Trek de doorslijpmachine niet naar één kant. Dit kan de vrije beweging van het zaagblad belemmeren. Het zaagblad kan breken, wat kan leiden tot verwondingen voor de gebruiker of omstanders.



**WAARSCHUWING:** Slijp NIET met de zijkant van het zaagblad. Het zaagblad kan breken, wat kan leiden tot verwondingen voor de gebruiker of omstanders. Gebruik alleen de zaagkant.



**WAARSCHUWING:** Controleer of het zaagblad correct is gemonteerd en geen gebreken vertoont.



**WAARSCHUWING:** Zorg ervoor dat de bladbeschermkap, het verlengstuk voor de bladbeschermkap en het stofscherm goed vastzitten voordat u het product start. Het verlengstuk voor de bladbeschermkap en het stofscherm moeten altijd vrij bewegen. Gebruik het product niet als de bladbeschermkap, het verlengstuk voor de bladbeschermkap of het stofscherm ontbreken of defect zijn.



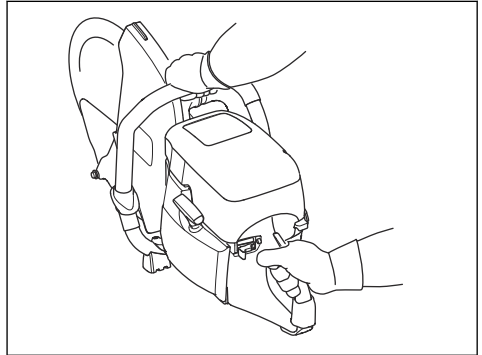
**WAARSCHUWING:** Controleer voordat u een bestaande sleuf bewerkt die met ander blad werd gemaakt of de sleuf niet dunner is dan uw zaagblad. Als de sleuf dunner is, kan gebruik van een dikker blad aanlopen en terugslag veroorzaken.



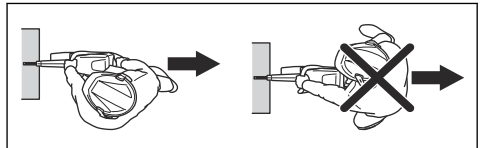
**WAARSCHUWING:** Een diamantzaagblad wordt zeer heet tijdens droogzagen. Het blad moet regelmatig worden gekoeld om oververhitting te voorkomen. Tijdens oververhitting bestaat het risico dat de kern breekt en het blad barst, of treedt spanningsverlies en slingeren met terugslagrisico op. Om het blad aan de lucht te laten koelen, laat u het vrij draaien zonder belasting.

- Zaag niet met de terugslagrisicosector van het zaagblad. Zie *Terugslagrisicosector op pagina 106*.
- Controleer of het juiste zaagblad wordt gebruikt voor de betreffende toepassing. Raadpleeg de instructies in *Goede zaagbladen op pagina 109*.
- Houd afstand tot het zaagblad wanneer de motor draait. Probeer een draaiend zaagblad niet te stoppen met enig deel van uw lichaam.

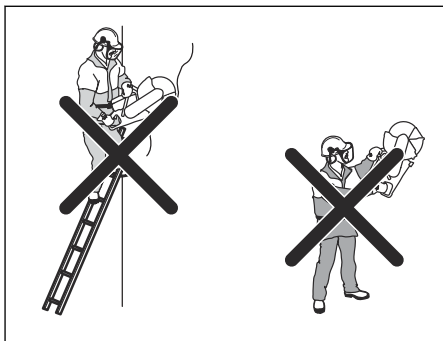
- Houd de zaag met beide handen stevig vast, met de duimen en vingers om de handgrepen. Houd de rechterhand op de achterste handgreep en de linkerhand op de voorste handgreep. Alle gebruikers, zowel linkshandigen en rechtshandigen, moeten deze handgreep gebruiken. Gebruik een doorslijpmachine nooit met maar één hand.



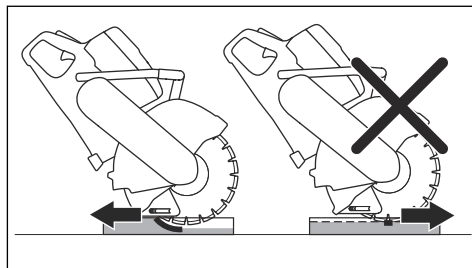
- Ga parallel aan het zaagblad staan. Ga er niet direct achter staan. In het geval van terugslag zal de machine in het horizontale vlak van het blad bewegen.



- Verplaats het product nooit wanneer de snijtrusting draait. Zorg ervoor dat het blad volledig tot stilstand is gekomen, voordat u het product op de grond legt.
- Laat de machine nooit onbeheerd achter terwijl de motor draait.
- Zorg voor een goede balans en een stabiele houding.
- Controleer voordat u een bestaande sleuf bewerkt die met ander blad werd gemaakt of de sleuf niet dunner is dan uw zaagblad. Als de sleuf dunner is, kan gebruik van een dikker blad aanlopen en terugslag veroorzaken.
- Zaag nooit boven schouderhoogte.
- Zaag nooit vanaf een ladder. Gebruik een platform of een steiger als u boven schouderhoogte moet werken. Voorkom overstrekken.



- Sta op voldoende afstand van het werkstuk.
- Zorg ervoor dat het zaagblad vrij kan bewegen en niet in contact komt met wat dan ook wanneer u de motor start.
- Houd het product altijd in de gaten wanneer de motor draait.
- Als het blad vastloopt in de zaagsnede of wanneer u stopt met zagen, laat dan de gashendel los en wacht tot het blad stopt met draaien. Haal het blad niet uit de zaagsnede terwijl het blad nog beweegt, om een terugslagreactie te voorkomen.
- Voer weinig kracht uit op het blad maar laat het product wel op vol vermogen draaien (maximumtoerental) draaien. Houd het maximumtoerental aan tot de snede voltooid is.
- Laat de machine het werk doen zonder kracht of druk op het blad uit te oefenen. Als het blad begint te slingeren, moet u de voeding verminderen. Als het blad nog steeds slingeret, moet u het zagen stoppen en het zaagblad vervangen.
- Breng de machine naar beneden in lijn met het zaagblad. Draai niet in de zaagsnede, aangezien zijdelingse druk vastlopen in de zaagsnede, schade aan het zaagblad of terugslag kan veroorzaken.



Duw het zaagblad naar de volledige snijdiepte aan de boven-/voorzijde van de snede en verplaats het zaagblad langzaam naar beneden/achteren. Dit beperkt de temperatuur van het zaagblad en helpt bij het verzamelen van het stof.

## Brandstof

Dit product is uitgerust met een tweetaktmotor.



**OPGELET:** Een verkeerde soort brandstof kan leiden tot motorschade. Gebruik een mengsel van benzine en tweetaktolie.

## Tweetaktolie

- Gebruik voor de beste resultaten en optimale prestaties HUSQVARNA tweetaktolie.
- Als geen HUSQVARNA tweetaktolie beschikbaar is, gebruik dan een andere hoogwaardige tweetaktolie voor luchtgekoelde motoren. Bespreek de keuze van de tweetaktolie met uw servicedealer.



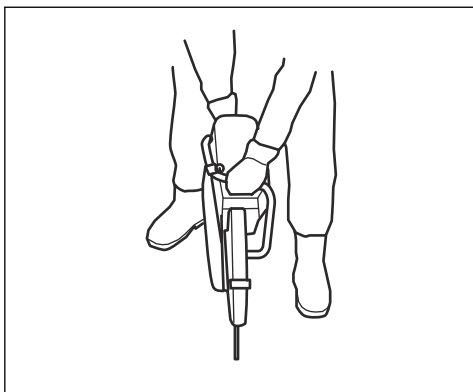
**OPGELET:** Gebruik geen tweetaktolie die bedoeld is voor watergekoelde buitenboordmotoren, zogenaamde outboardoil. Gebruik geen olie die is bedoeld voor viertaktmotoren.

## Voorgemengde brandstof

- Gebruik voorgemengde HUSQVARNA-alkylaatbrandstof voor optimale prestaties en een lange levensduur van de motor. Deze brandstof bevat minder schadelijke stoffen dan reguliere brandstof waardoor de uitstoot van schadelijke uitlaatgassen wordt beperkt. Bij gebruik van deze brandstof blijven er minder verbrandingsresten in de motor achter waardoor de onderdelen van de motor schoner blijven.

## Benzine en tweetaktolie mengen

Benzine, liter	Tweetaktolie, liter
	<b>2% (50:1)</b>
5	0,10

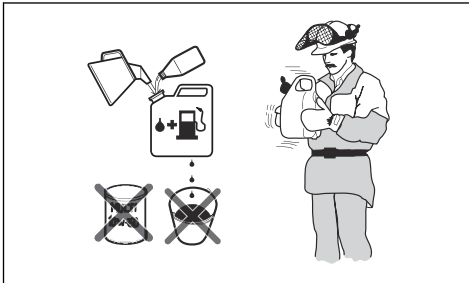


- Zorg ervoor dat tijdens alle zaagwerkzaamheden het verlengstuk voor de bladbeschermer en het stofscherp gelijk liggen met het werkstuk.

10	0,20
15	0,30
20	0,40
<b>Us gallon</b>	<b>US fl. oz.</b>
1	2 ½
2 1/2	6 ½
5	12 ¾



**OPGELET:** Wanneer u kleine hoeveelheden brandstof mengt, kunnen kleine fouten grote gevolgen hebben voor de mengverhouding. Meet de hoeveelheid olie nauwkeurig af om het juiste mengsel te verkrijgen.



1. Giet de helft van de benzine in een schone brandstofbestendige houder.
2. Voeg de volledige hoeveelheid olie toe.
3. Schud het brandstofmengsel.
4. Giet de resterende hoeveelheid benzine in de houder.
5. Schud het brandstofmengsel grondig.



**OPGELET:** Meng maximaal de hoeveelheid brandstof die u nodig hebt voor 1 maand.

### Brandstof bijvullen



**OPGELET:** Gebruik geen benzine met een octaangetal lager dan 90 RON (87 AKI). Dit kan schade aan het product veroorzaken.



**OPGELET:** Gebruik geen benzine met een ethanolgehalte van meer dan 10% (E10). Dit kan schade aan het product veroorzaken.

**Let op:** In bepaalde omstandigheden is het nodig om de afstelling van de carburateur aan te passen wanneer u het type brandstof wijzigt.

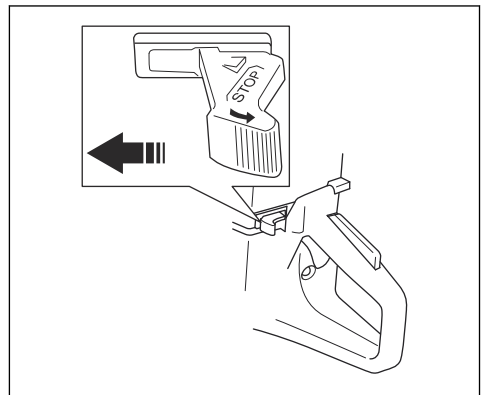
- Gebruik benzine met een hoger octaangetal als u het product regelmatig gebruikt met een hoog motortoerental.
1. Draai de brandstoftankdop langzaam los om de druk te laten ontsnappen.
  2. Vul langzaam met een benzinejerrycan. Als u brandstof morst, verwijder deze dan met een doek en laat de achtergebleven brandstof opdrogen.
  3. Maak het gebied rondom de brandstoftankdop goed schoon.
  4. Draai de tankdop volledig aan. Als de tankdop niet volledig is aangedraaid, bestaat een risico op brand.
  5. Verplaats het product minstens 3 m (10 ft) van de plaats waar u de brandstoftank hebt gevuld, voordat u het product start.

### Het product starten met een koude motor

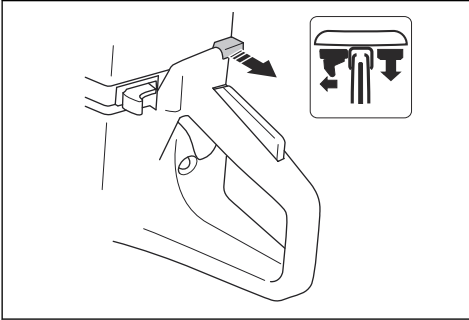


**WAARSCHUWING:** Zorg ervoor dat het zaagblad vrij kan draaien. Het begint te draaien wanneer de motor start.

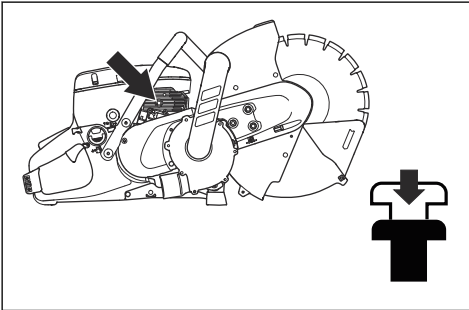
1. Controleer of de STOP-schakelaar in de linker stand staat.



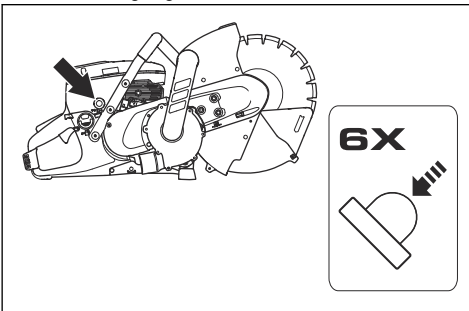
2. Trek de chokehendel volledig uit en ga naar de startgas positie.



3. Druk op de decompressieklep om de druk in de cilinder te verlagen. De decompressieklep gaat automatisch terug naar de uitgangspositie wanneer het product start.

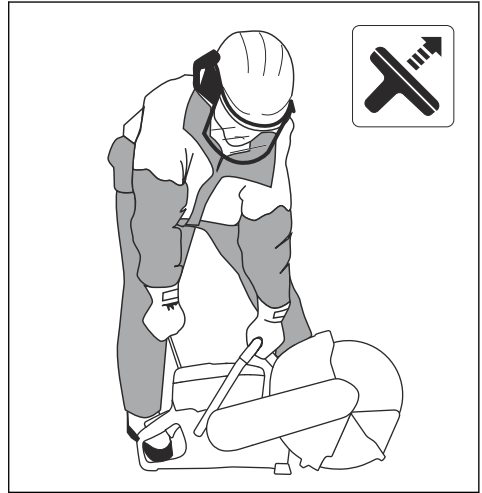


4. Druk de balg van de brandstofpomp 6 keer in tot deze volledig is gevuld met brandstof.



5. Houd de handgreep vóór vast met uw linkerhand.

6. Plaats uw rechervoet op het onderste deel van de achterhandgreep en druk het product tegen de grond.



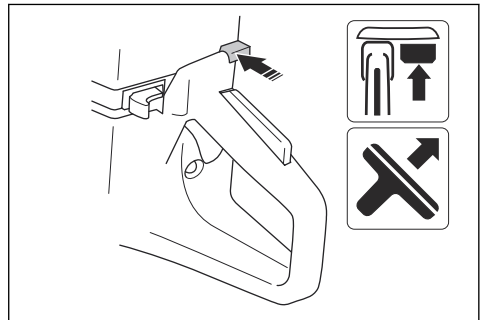
**WAARSCHUWING:** Wikkel het startkoord niet rond uw hand.

7. Trek langzaam aan het startkoord met uw rechterhand, tot u een weerstand voelt als de starterhaken aangrijpen. Trek vervolgens continu en snel aan.



**OPGELET:** Trek het startkoord niet volledig uit en laat de startkoordhendel niet los wanneer het startkoord volledig uitgetrokken is. Dit kan schade aan het product veroorzaken.

8. Druk de chokehendel in zodra de motor start. Als de choke uitgetrokken is, stopt de motor na enkele seconden. Als de motor stopt, trek dan de startkoordhendel weer aan.



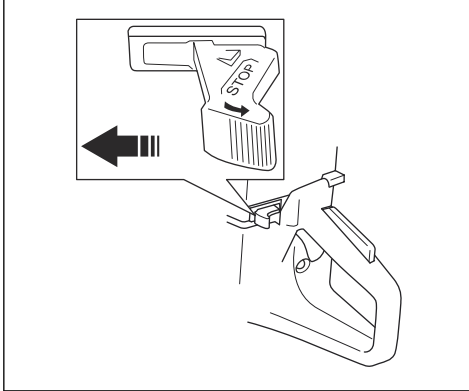
9. Duw de gashendel in om de startgasklep uit te schakelen en het product in te stellen op stationair toerental.

## Het product starten met een warme motor

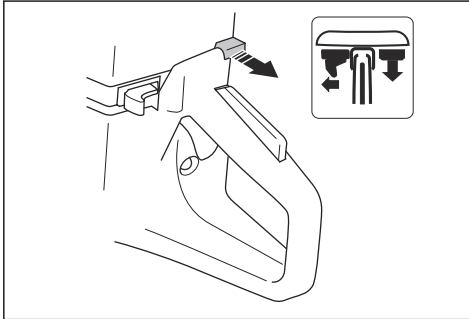


**WAARSCHUWING:** Zorg ervoor dat het zaagblad vrij kan draaien. Het begint te draaien wanneer de motor start.

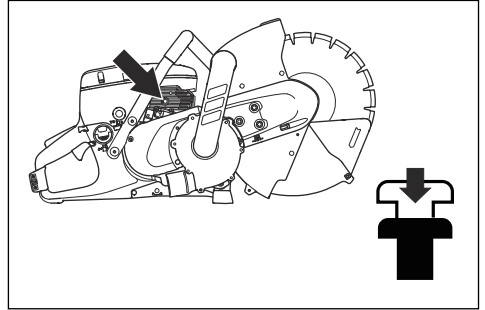
1. Controleer of de STOP-schakelaar in de linker stand staat.



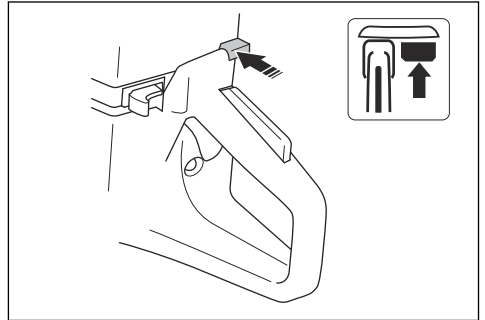
2. Trek de chokehendel volledig uit en ga naar de startgas positie.



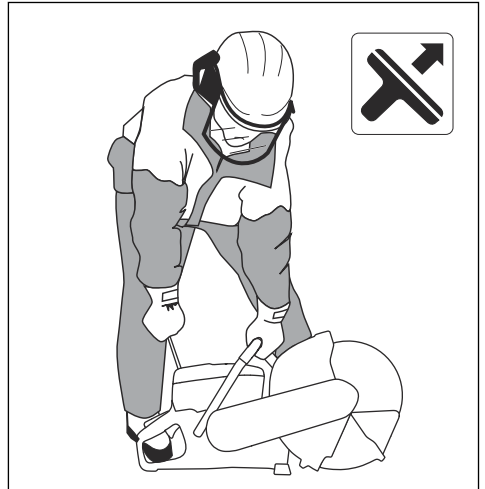
3. Druk op de decompressieklep om de druk in de cilinder te verlagen. De decompressieklep gaat automatisch terug naar de uitgangspositie wanneer het product start.



4. Druk op de chokehendel om de choke uit te schakelen. De startgashendel blijft in positie.



5. Houd de handgreep vóór vast met uw linkerhand.
6. Plaats uw rechervoet op het onderste deel van de achterhandgreep en druk het product tegen de grond.





**WAARSCHUWING:** Wikkel het startkoord niet rond uw hand.

7. Trek langzaam aan het startkoord, tot u een weerstand voelt als de starterhaken aangrijpen. Trek vervolgens continu en snel aan.



**OPGELET:** Trek het startkoord niet volledig uit en laat de startkoordhendel niet los wanneer het startkoord volledig uitgetrokken is. Dit kan schade aan het product veroorzaken.

8. Duw de gashendel in om de startgasklep uit te schakelen en het product in te stellen op stationair toerental.

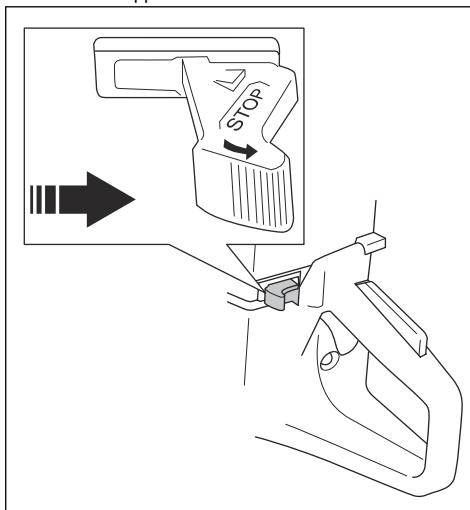
## Product stoppen



**WAARSCHUWING:** Nadat de motor is gestopt, blijft het zaagblad nog maximaal een minuut draaien (ook wel uitlooptijd genoemd). Zorg ervoor dat het zaagblad vrij kan draaien totdat het

volledig stopt. Onzorgvuldigheid kan ernstig persoonlijk letsel tot gevolg hebben.

- Beweeg de STOP-schakelaar naar rechts om de motor te stoppen.



## Onderhoud

### Onderhoudsschema

In het onderhoudsschema ziet u de benodigde onderhoudswerkzaamheden voor het product. De

intervallen worden berekend op basis van het dagelijks gebruik van het product.

	Elke dag	Wekelijks	Maandelijks	Jaarlijks
<b>Reinigen</b>	Reiniging buitenzijde		Bougie	
	Koelluchtinlaat		Brandstoftank	
<b>Vervangen</b>				Brandstoffilter
<b>Functionele inspectie</b>	Algemene inspectie	Trillingdempingssysteem*	Brandstofsysteem	
	Gashendelvergrendeling*	Geluidemper*	Luchtfilter	
	Stopschakelaar*	Aandrijfriem	Koppeling	
	Bladbeschermkap, verlengstuk voor bladbeschermkap en stofscherp*	Carburateur		
	Zaagblad*	Starterhuis		
* Zie Veiligheidsvoorzieningen op het product op pagina 102.				

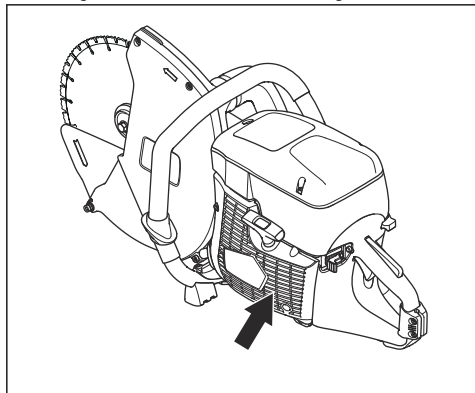
## Buitenkant reinigen

- Spoel de buitenkant van het product na elke werkdag met schoon water af. Gebruik indien nodig een borstel.

## De koelluchtinlaat reinigen

**Let op:** Een vuile of verstopte luchtinlaat zorgt ervoor dat het product te heet wordt. Dit kan schade aan de zuiger en de cilinder veroorzaken.

- Reinig de koelluchtinlaat indien nodig.



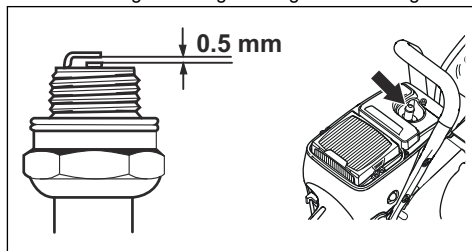
## Bougie controleren

**Let op:** Gebruik altijd het juiste bougietype. Het gebruik van verkeerde bougies kan schade aan de zuiger en de cilinder veroorzaken. Voor de aanbevolen bougie, zie *Technische gegevens op pagina 126*.

Oliedeeltjes op de bougie kunnen optreden als een onjuist brandstofmengsel of te veel olie wordt gebruikt. Een vuil luchtfilter kan ook oliedeeltjes op de bougie veroorzaken. Kleine deeltjes op de bougie-elektroden kunnen problemen veroorzaken bij het starten en gebruiken van het product. Inspecteer altijd de bougie als het product weinig vermogen heeft, als het niet makkelijk start of als het niet naar tevredenheid draait bij stationair toerental.

1. Controleer of de bougiekap en ontsteking onbeschadigd zijn om het risico op een elektrische schok te voorkomen.
2. Reinig de bougie als deze vuil is.

3. Controleer of de afstand tussen de elektroden 0,5 mm bedraagt. Vervang de bougie indien nodig.



## Algemene inspectie uitvoeren

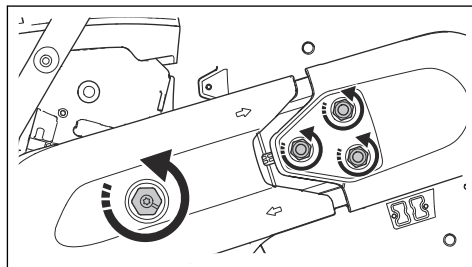
- Controleer of alle moeren en schroeven op het product goed zijn vastgedraaid.

## Aandrijfriem vervangen

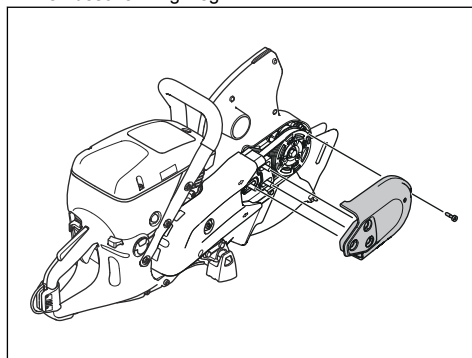


**WAARSCHUWING:** Start het product niet zonder dat alle afschermingen en kappen zijn gemonteerd.

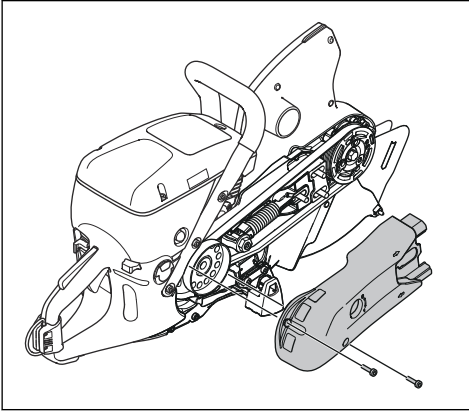
1. Draai de drie moeren op de zaagkop los. Ontspan de riem met de stelschroef.



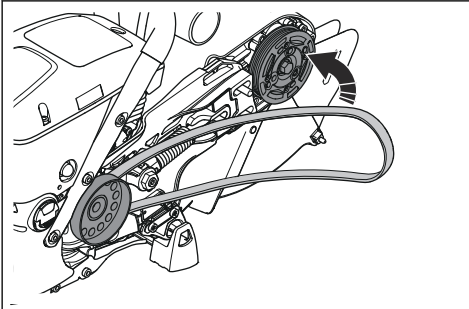
2. Verwijder de schroef en de moeren. Haal de voorste riembescherming weg.



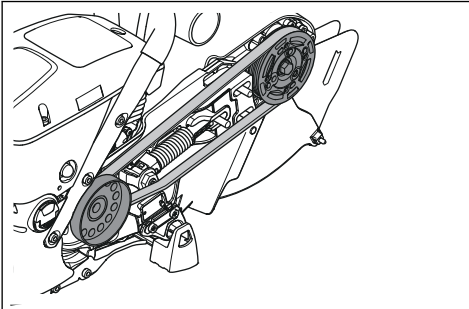
3. Verwijder de twee schroeven op de achterste riembescherming. Verwijder de riembescherming.



4. Verwijder de aandrijfriem.
5. Monteer de nieuwe aandrijfriem.



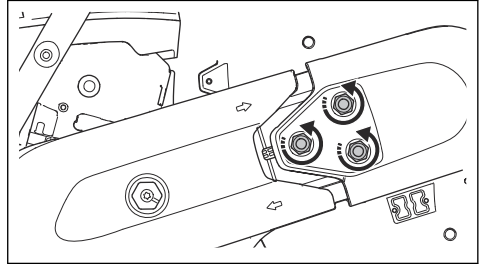
6. Zorg ervoor dat de aandrijfriem in de correcte positie wordt geplaatst.



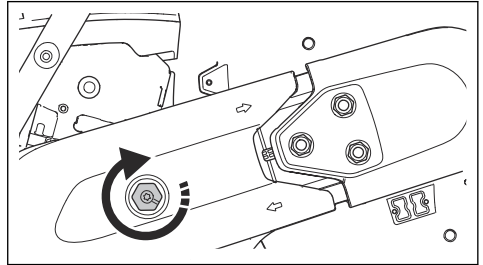
7. Monteer de twee riembeschermingen.
8. Stel de spanning van de aandrijfriem af. Zie *De spanning van de aandrijfriem afstellen* op pagina 120.

## De spanning van de aandrijfriem afstellen

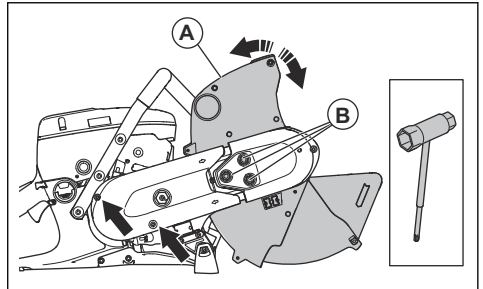
1. Draai de drie moeren los.



2. Draai de stelschroef met de wijzers van de klok mee om de spanning van de aandrijfriem te verhogen.



3. Beweeg de bladbeschermkap (A) 3-5 keer omhoog en omlaag. Draai de moeren (B) vast.



## Starterhuis



**WAARSCHUWING:** Wees altijd voorzichtig en gebruik altijd oogbescherming wanneer u de terugveer of het startkoord vervangt. De terugveer staat onder spanning wanneer deze in het starterhuis is gewikkeld. De terugveer kan eruit schieten en letsel veroorzaken.

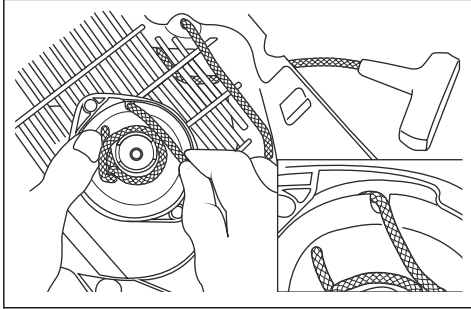
## Het starterhuis verwijderen

1. Draai de vier schroeven van het starterhuis los.
2. Verwijder het starterhuis.

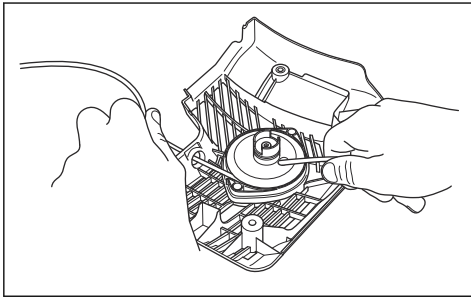


## Een beschadigd startkoord vervangen

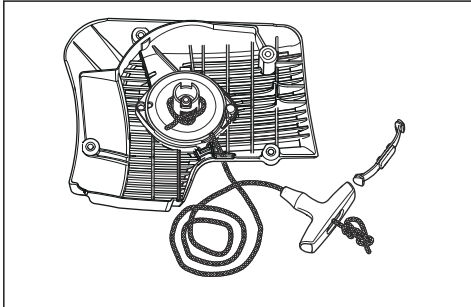
1. Houd de startkoordpoelie met uw duim tegen. Trek het startkoord ongeveer 30 cm naar buiten en plaats het in de uitsparing op de koordpoelie.



2. Laat de koordpoelie langzaam in tegengestelde richting draaien om de spanning van de veer te halen.
3. Verwijder het resterende startkoord.
4. Controleer of de terugveer goed werkt.
5. Steek het nieuwe startkoord door het gat in het starterhuis en in de koordpoelie.

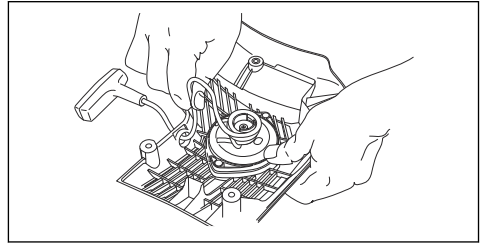


6. Bevestig het startkoord aan de koordpoelie.
7. Draai de aansluiting volledig vast. Zorg ervoor dat het vrije uiteinde van het startkoord zo kort mogelijk is.
8. Bevestig het uiteinde van het startkoord aan de starthendel, zoals aangegeven in de afbeelding.

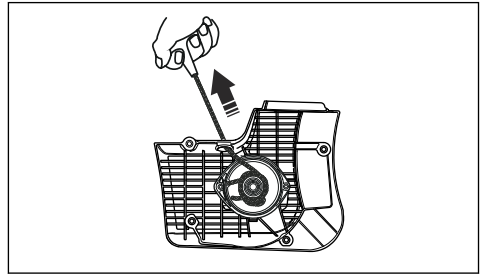


## De spanning van de terugveer afstellen

1. Plaats het koord door de uitsparing in de koordpoelie. Wikkel het koord drie omwentelingen met de wijzers van de klok mee om het midden van de koordpoelie.



2. Trek aan de startknop om de spanning van de terugveer te regelen.
3. Plaats het koord door de uitsparing in de koordpoelie. Wikkel het koord vier omwentelingen met de wijzers van de klok mee om het midden van de koordpoelie.
4. Trek aan de startknop om de spanning van de terugveer te regelen.



**Let op:** De startknop gaat naar zijn plaats als de spanning is afgesteld.

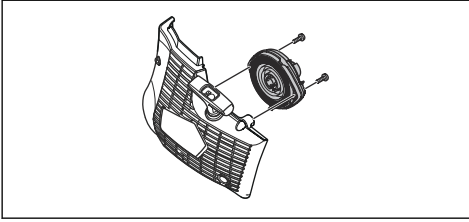
5. Trek het startkoord volledig naar buiten en controleer of de terugveer niet in de eindpositie staat. Zorg met uw duim dat de koordpoelie langzaam draait.
6. Controleer of de koordpoelie een halve omwenteling of meer kan worden gedraaid voordat de terugveer de bewegingen stopt.

## De veereenheid verwijderen



**WAARSCHUWING:** Draag altijd oogbescherming wanneer u de veereenheid verwijdert. Er is een risico op oogletsel, vooral als een veer gebroken is.

1. Verwijder de twee schroeven op de veereenheid.



2. Duw de twee beugels op de kliksloten met een schroevendraaier.

## De veereenheid reinigen



**OPGELET:** Verwijder de veer niet uit het geheel.

1. Blaas de veer met perslucht schoon.
2. Breng een lichte olie aan op de veer.

## De veereenheid bevestigen

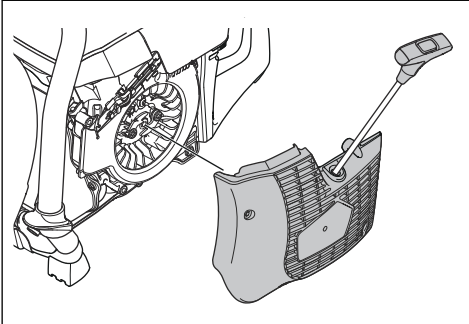
- Monteer in omgekeerde volgorde van *De veereenheid verwijderen op pagina 121*.

## Het starterhuis monteren



**OPGELET:** De starterhaken moeten in de juiste positie tegen de huls van de koordpoelie komen te liggen.

1. Trek het startkoord ongeveer 0,5 m uit.



2. Houd de positie van het startkoord vast en zet de starter tegen het product.
3. Laat het startkoord langzaam los tot de starterhaken zich in de juiste positie bevinden.
4. Draai de vier schroeven op de starter vast.

## De carburateur inspecteren

**Let op:** De carburateur heeft starre naalden om ervoor te zorgen dat het product altijd het juiste mengsel van brandstof en lucht ontvangt.

1. Controleer het luchtfilter. Zie *Het luchtfilter inspecteren op pagina 123*
2. Vervang indien nodig het luchtfilter.
3. Als de motor in vermogen of motorsnelheid blijft afnemen, moet u contact opnemen met uw HUSQVARNA-servicedealer.

## Brandstofsysteem controleren

1. Controleer of de dop van de brandstoftank en afdichting niet beschadigd zijn.
2. Inspecteer de brandstofleiding. Vervang de brandstofleiding als deze beschadigd is.

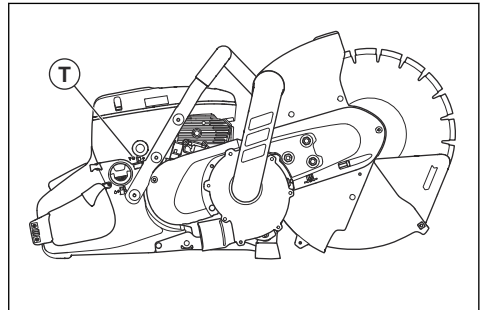
## Stationair toerental afstellen



**WAARSCHUWING:** Als het zaagblad bij stationair toerental draait, moet u contact opnemen met uw servicedealer. Gebruik het product niet tot het stationaire toerental correct is afgesteld of gerepareerd.

**Let op:** Aanbevolen stationair toerental is 2700 tpm.

1. Start de motor.
2. Controleer het stationaire toerental. Wanneer de carburateur juist is afgesteld, stopt het zaagblad wanneer de motor met stationair toerental draait.
3. Gebruik de T-schroef om het stationaire toerental aan te passen.



- a) Draai de schroef met de wijzers van de klok mee, totdat het zaagblad begint te draaien.
- b) Draai de schroef tegen de wijzers van de klok in, totdat het zaagblad stopt met draaien.

## Brandstoffilter

Het brandstoffilter is in de brandstoftank gemonteerd. Het brandstoffilter voorkomt vervuiling van de brandstoftank wanneer de brandstoftank wordt gevuld. Het brandstoffilter moet jaarlijks worden vervangen of vaker als het verstopt zit.



**OPGELET:** Reinig het brandstoffilter niet.

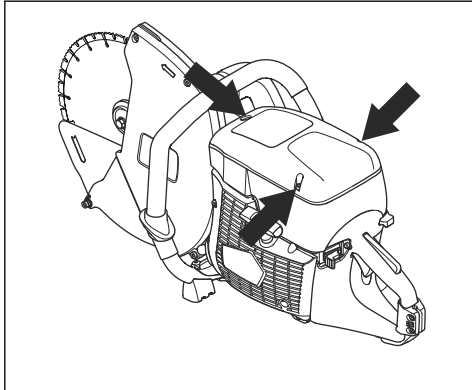
## Het luchtfilter inspecteren



**OPGELET:** Wees voorzichtig wanneer u het luchtfilter verwijdert. In de inlaat van de carburateur vallende deeltjes kunnen schade veroorzaken.

Controleer het luchtfilter als het motorvermogen afneemt.

1. Maak de drie schroeven in het luchtfilterdeksel los.



2. Verwijder het luchtfilterdeksel.
3. Controleer het luchtfilter. Vervang indien nodig het luchtfilter. Zie *Het luchtfilter vervangen op pagina 123*.
4. Vervang het luchtfilterdeksel.
5. Draai de 3 schroeven vast.

## Het luchtfilter vervangen



**OPGELET:** Reinig het luchtfilter niet met perslucht. Het luchtfilter is gemaakt van papier en raakt gemakkelijk beschadigd.

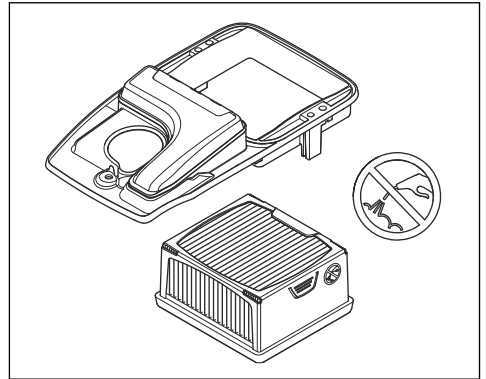


**OPGELET:** Er kan ongezond stof vrijkomen tijdens het vervangen van het filter. Draag goedgekeurde ademhalingsbescherming. Voer filters op de juiste wijze af.

**Let op:** Vervang het servicefilter alleen wanneer het beschadigd is.

**Let op:** Het luchtfilter mag niet worden gereinigd of doorgeblazen met perslucht. Hierdoor zal het filter worden beschadigd.

1. Maak de drie schroeven in het luchtfilterdeksel los.
2. Verwijder het luchtfilterdeksel.



3. Draai de twee schroeven op de luchtfilterpoelie los en verwijder deze.
4. Verwijder het luchtfilter.
5. Monteer het nieuwe luchtfilter.
6. Vervang de luchtfilterpoelie.
7. Draai de 2 schroeven vast.
8. Vervang het luchtfilterdeksel.
9. Draai de 3 schroeven vast.

## Probleemoplossing

### Probleemoplossingsschema

de STOP-stand staat voordat u onderhoud uitvoert of problemen gaat oplossen, tenzij de instructies anders aangeven.



**WAARSCHUWING:** Zorg ervoor dat de motor uit is en de stopschakelaar in

Probleem	Oorzaak	Mogelijke oplossingen
Het product start niet.	De startprocedure is verkeerd uitgevoerd.	Zie <i>Het product starten met een koude motor op pagina 115</i> en <i>Het product starten met een warme motor op pagina 117</i> .
	De stopschakelaar staat in de juiste (STOP) stand.	Zorg ervoor dat de stopschakelaar (STOP) zich in de linker positie bevindt.
	Geen brandstof in de brandstoftank.	Vul brandstof bij.
	De bougie is defect.	Vervang de bougie.
	De koppeling is defect.	Neem contact op met uw erkende servicewerkplaats.
Het zaagblad draait op stationair toerental.	Het stationaire toerental is te hoog.	Pas het stationaire toerental aan.
	De koppeling is defect.	Neem contact op met uw erkende servicewerkplaats.
Het zaagblad draait niet wanneer de gebruiker de gashendel omhoog beweegt.	De riem is te los of defect.	Draai de riem vast of vervang de riem door een nieuwe.
	De koppeling is defect.	Neem contact op met uw erkende servicewerkplaats.
	Het zaagblad is verkeerd gemonteerd.	Controleer of het zaagblad correct is gemonteerd.
De machine heeft geen vermogen wanneer de gebruiker de gashendel omhoog beweegt.	Het luchtfilter is verstopt.	Controleer het luchtfilter. Vervangen indien nodig.
	Het brandstoffilter is verstopt.	Brandstoffilter vervangen.
	De stroom van de brandstoftank is geblokkeerd.	Neem contact op met uw erkende servicewerkplaats.
De trillingsniveaus zijn te hoog.	Het zaagblad is verkeerd gemonteerd.	Controleer of het zaagblad correct is gemonteerd en niet beschadigd is. Zie <i>Goede zaagbladen op pagina 109</i> .
	Het zaagblad is defect.	Vervang het zaagblad en controleer of het niet beschadigd is.
	Een trillingsdemper is defect.	Neem contact op met uw erkende servicewerkplaats.

Probleem	Oorzaak	Mogelijke oplossingen
De temperatuur van het product is te hoog.	De luchtinlaat of de flenzen die de temperatuur verlagen, zijn geblokkeerd.	Reinig de luchtinlaat en de flenzen die de temperatuur verlagen.
	De riem beweegt.	Controleer de riem. Stel de spanning af.
	De koppeling is defect.	Zaag altijd met het gas volledig open.
Controleer de koppeling. Neem contact op met uw erkende servicewerkplaats.		
Het vermogen of het toerental van de motor neemt af.	Het luchtfilter is verstopt.	Controleer de carburateur. Zie <i>De carburateur inspecteren op pagina 122</i>
Het stof wordt niet goed opgevangen tijdens het zagen.	Onjuiste zaagtechniek.	Zie <i>Basistechniek op pagina 113</i> .
	De gekoppelde stofzuiger zuigt stof niet af.	Raadpleeg de bedieningshandleiding van de stofzuiger.
Het verlengstuk voor de bladbeschermer en het stofschermbewegen niet vrij.  Het verlengstuk van de bladbeschermer en het stofschermbewegen niet terug wanneer het product uit het werkstuk wordt verwijderd.	De bewegende delen van het verlengstuk van de bladbeschermer en het stofschermbewegen zijn verstopt.	Reinig de bewegende delen.
	De veren van het verlengstuk van de bladbeschermer en de stofzuiger werken niet goed.	Controleer de veren. Reinig de veren.

## Vervoer, opslag en verwerking

### Transport en opslag

- Zet het product tijdens het vervoer veilig vast om schade en ongevallen te voorkomen.
- Verwijder het zaagblad voordat u het product vervoert of opslaat.
- Bewaar het product in een afgesloten ruimte om toegang door kinderen of onbevoegde personen te verhinderen.
- Bewaar de zaagbladen in droge, vorstvrije omstandigheden.
- Controleer alle nieuwe en gebruikte bladen op transport- en opslagschade voordat u ze monteert.
- Reinig en onderhoud het product voordat het wordt opgeslagen. Zie *Onderhoudsschema op pagina 118*.
- Verwijder de brandstof uit de brandstoftank voor langdurige opslag.
- Voer alle chemicaliën, zoals olie of brandstof, af via een servicecentrum of een geschikte verwijderingslocatie.
- Wanneer het product niet langer in gebruik is, stuur het dan naar een HUSQVARNA dealer of voer het af via een recyclingslocatie.



### Afvoeren

- Neem de plaatselijk geldende wet- en regelgeving voor recycling in acht.

## Technische gegevens

### Technische gegevens

<b>K 770 VAC</b>	
Cilinderinhoud, cm <sup>3</sup> (cu inch)	74 (4,5)
Cilinderdiameter, mm (inch)	51 (2)
Slag, mm (inch)	36 (1,4)
Stationair toerental, tpm	2700
Volgas, onbelast, tpm	9300 (+/- 150)
Vermogen, kW (pk) bij tpm	3,7 - (5,0) bij 9000
Bougie	NGK BPMR 7A
Afstand tussen de elektroden, mm (inch)	0,5 (0,02)
Inhoud brandstoftank, l (US fl oz)	0,9 (30)
Machinegewicht zonder brandstof en snijblad, kg (lb)	11 (24,3)
<b>Spil, uitgaande as</b>	
Max. spilitoerental, tpm	2600
Max. omtreksnelheid, m/s (ft/min)	50 (10.000)
<b>Geluidsemisies <sup>16</sup></b>	
Geluidsvermogeniveau, gemeten dB(A)	112
Geluidsvermogeniveau, gegarandeerd L <sub>WA</sub> dB (A)	115
<b>Geluidsniveaus <sup>17</sup></b>	
Equivalent geluidsdrukniveau bij het oor van de gebruiker, dB (A)	98
<b>Equivalent trillingsniveau, a<sub>hveq</sub> <sup>18</sup></b>	
Voorste handgreep, m/s <sup>2</sup>	4,0
Achterste handgreep, m/s <sup>2</sup>	2,8
<b>Uitlaatemissies (CO2 EU V) <sup>19</sup></b>	

<sup>16</sup> Geluidsemisies naar de omgeving zijn gemeten als geluidsvermogen (L<sub>WA</sub>) volgens richtlijn 2000/14/EC. Het verschil tussen gegarandeerd en gemeten geluidsvermogen is dat het gegarandeerde geluidsvermogen spreiding in het meetresultaat omvat en de variaties tussen de verschillende eenheden van hetzelfde product conform richtlijn 2000/14/EC.

<sup>17</sup> Het vergelijkbare geluidsdrukniveau, conform EN ISO 19432-1, is berekend als de totale tijdgewogen energie voor verschillende geluidsdruk niveaus onder verschillende bedrijfsomstandigheden. De geregistreerde gegevens voor een vergelijkbaar geluidsdrukniveau van het product vertonen een standaardafwijking van 1 dB (A).

<sup>18</sup> Het equivalente trillingsniveau, conform EN ISO 19432-1, is berekend als de totale tijdgewogen energie van de trillingsniveaus onder verschillende bedrijfsomstandigheden. De geregistreerde gegevens voor een vergelijkbaar trillingsniveau vertonen een standaardafwijking van 1m/s<sup>2</sup>.

<sup>19</sup> Deze meetresultaten voor CO2 betreffen metingen volgens een vaste testcyclus onder laboratoriumomstandigheden, gedaan op een (basis)motor die representatief is voor het betrokken motortype (de betrokken motorfamilie); zij impliceren of vormen geen enkele garantie voor de prestaties van een bepaalde motor.

<b>K 770 VAC</b>	
Tweetaktmotor	711 g/kWh

<b>Aanbevolen stofzuiger <sup>20</sup></b>	
Min. luchtstroming, m <sup>3</sup> /h (CFM)	400 (236)
Min. vacuüm, kPa (psi)	22 (3,6)
Min. wateropvoering, m (inch)	2,3 (90)
Opzetstuk stofzuiger, mm (inch)	50 (2)

### Aanbevolen diamantzaagblad, specificatie

Diameter zaagblad, mm (inch)	Max. snijdiepte, mm (inch)	Zaagbladtoeren-tal, tpm	Max. omtreksnelheid, m/s (ft/min)	Middengatdiameter zaagblad, mm (inch)	Max. bladdikte, mm (inch)
300 (12)	122 (4,8)	6200	100 (19600)	25,4 (1) of 20 (0,79)	4 (0,16)

<sup>20</sup> De omschrijving die technische gegevens voor stofzuigers bieden, verschaft onvoldoende duidelijkheid over de werkelijke prestaties in de loop van de tijd tussen de verschillende stofzuigers. Voor HUSQVARNA-producten zijn OSHA objectieve gegevens beschikbaar op [www.husqvarnacp.com/us](http://www.husqvarnacp.com/us)

# Verklaring van overeenstemming

## EU-verklaring van overeenstemming

Wij, **Husqvarna AB**, SE-561 82 Huskvarna,  
Zweden, tel: +46-36-146500, verklaren onder onze  
alleenverantwoordelijkheid dat het product:

<b>Beschrijving</b>	<b>Draagbare doorslijper</b>
<b>Merk</b>	HUSQVARNA
<b>Type/model</b>	K 770 VAC
<b>Identificatie</b>	Serienummers vanaf 2022 en verder

volledig voldoet aan de volgende EU-richtlijnen en  
-regelgeving:

<b>Richtlijn/Verordening</b>	<b>Beschrijving</b>
2006/42/EC	"betreffende machines"
2000/14/EC	"betreffende geluid buitenshuis"
2014/30/EU	"betreffende elektromagnetische compatibiliteit"
2011/65/EU	"betreffende beperkingen van gevaarlijke stoffen"

en dat de volgende geharmoniseerde normen en/of  
technische specificaties zijn toegepast;

EN ISO 12100:2010, EN ISO 19432-1:2020, EN  
55012:2008+A1:2009, EN ISO 14982:2009, EN IEC  
63000:2018

Conformiteitsbeoordelingsprocedure volgens  
2000/14/EC; Bijlage V. Voor informatie over  
geluidsemissies, zie *Technische gegevens op pagina  
126*.

SMP Svensk Maskinprovning AB heeft een vrijwillig  
onderzoek uitgevoerd volgens bijlage V van de richtlijn  
van de raad2000/14/EC.

Partille, 2022-04-20



Erik Silfverberg  
Directeur R&D, Betonzagen en -boormachines  
Husqvarna AB, Construction-divisie  
Verantwoordelijk voor technische documentatie













FR

Cet appareil,  
ses cordons,  
et batterie  
se recyclent

À DÉPOSER  
EN MAGASIN



OU

À DÉPOSER  
EN DÉCHÈTERIE



Points de collecte sur [www.quefairedemesdechets.fr](http://www.quefairedemesdechets.fr)  
Privilégiez la réparation ou le don de votre appareil !

# Husqvarna®

[www.husqvarnaconstruction.com](http://www.husqvarnaconstruction.com)

Original instructions  
Originalanweisungen  
Instructions d'origine  
Originele instructies

1141098-20

Rev. C



FR



2024-05-30