



Husqvarna®



Operator's manual Manual de instrucciones Instruções para o uso Οδηγίες χρήσης

PG 680

PG 820



GB ES PT GR

Please read the operator's manual carefully and make sure you understand the instructions before using the machine.

Lea detenidamente el manual de instrucciones y asegúrese de entender su contenido antes de utilizar la máquina.

Leia as instruções para o uso com toda a atenção e compreenda o seu conteúdo antes de fazer uso da máquina.

Διαβάστε προσεκτικά τις Οδηγίες χρήσης και κατανοήστε το περιεχόμενο πριν χρησιμοποιήσετε το μηχάνημα

KEY TO SYMBOLS

Symbols on the machine

WARNING! The machine can be a dangerous tool if used incorrectly or carelessly, which can cause serious or fatal injury to the operator or others.

Please read the operator's manual carefully and make sure you understand the instructions before using the machine.

Wear personal protective equipment. See instructions under the "Personal protective equipment" heading.

WARNING! Dust forms when grinding, which can cause injuries if inhaled. Use an approved breathing mask. Always provide for good ventilation.

This product is in accordance with applicable EC directives.

Environmental marking. Symbols on the product or its packaging indicate that this product cannot be handled as domestic waste.

By ensuring that this product is taken care of correctly, you can help to counteract the potential negative impact on the environment and people that can otherwise result through the incorrect waste management of this product.

For more detailed information about recycling this product, contact your municipality, your domestic waste service or the shop from where you purchased the product.

Other symbols/decals on the machine refer to special certification requirements for certain markets.



Explanation of warning levels

The warnings are graded in three levels.

WARNING!



WARNING! Used if there is a risk of serious injury or death for the operator or damage to the surroundings if the instructions in the manual are not followed.

CAUTION!



CAUTION! Used if there is a risk of injury to the operator or damage to the surroundings if the instructions in the manual are not followed.

NOTICE!

NOTICE! Used if there is a risk of damage to materials or the machine if the instructions in the manual are not followed.

CONTENTS

Contents

KEY TO SYMBOLS

Symbols on the machine	2
Explanation of warning levels	2

CONTENTS

Contents	3
----------------	---

PRESENTATION

Dear Customer,	4
Design and features	4

PRESENTATION

What is what on the grinder?	6
------------------------------------	---

MACHINE'S SAFETY EQUIPMENT

General	7
Power button	7
Stop/run switch	7
Emergency stop	8
Reset button	8

ASSEMBLING AND ADJUSTMENTS

General	9
Changing/fitting the diamonds	9
Handle height	10
Connect the machine	10

GRINDING GUIDE

Grinding heads	11
Diamond segments	11
Full and half sets of diamonds	12
Determining the hardness of concrete	13
Diamond selection	14

OPERATING

Protective equipment	15
General safety precautions	15
Speed and direction of rotation	17
Basic working techniques	20
Variable speed drives/frequency converters	20

STARTING AND STOPPING

Before starting	22
Starting	22
Stopping	23

MAINTENANCE

General	24
Maintenance schedule	24
Maintenance check list	24
Cleaning	25
Functional inspection	25
Faults and trouble shooting	27

TECHNICAL DATA

Technical data	31
EC Declaration of Conformity	32

PRESENTATION

Dear Customer,

Thank you for choosing a Husqvarna product!

It is our wish that you will be satisfied with your product and that it will be your companion for a long time. A purchase of one of our products gives you access to professional help with repairs and services. If the retailer who sells your machine is not one of our authorised dealers, ask him for the address of your nearest service workshop.

This operator's manual is a valuable document. Make sure it is always at hand at the work place. By following its content (operating, service, maintenance etc.) the life span and the second-hand value of the machine can be extended. If you will sell this machine, make sure that the buyer will get the operator's manual.

More than 300 years of innovation

Husqvarna AB is a Swedish company based on a tradition that dates back to 1689, when the Swedish King Karl XI ordered the construction of a factory for production of muskets. At that time, the foundation was already laid for the engineering skills behind the development of some of the world's leading products in areas such as hunting weapons, bicycles, motorcycles, domestic appliances, sewing machines and outdoor products.

Husqvarna is the global leader in outdoor power products for forestry, park maintenance and lawn and garden care, as well as cutting equipment and diamond tools for the construction and stone industries.

Owner responsibility

It is the owner's/employer's responsibility that the operator has sufficient knowledge about how to use the machine safely. Supervisors and operators must have read and understood the Operator's Manual. They must be aware of:

- The machine's safety instructions.
- The machine's range of applications and limitations.
- How the machine is to be used and maintained.

National legislation could regulate the use of this machine. Find out what legislation is applicable in the place where you work before you start using the machine.

The manufacturer's reservation

Subsequent to publishing this manual Husqvarna may issue additional information for safe operation of this product. It is the owner's obligation to keep up with the safest methods of operation.

Husqvarna AB has a policy of continuous product development and therefore reserves the right to modify the design and appearance of products without prior notice.

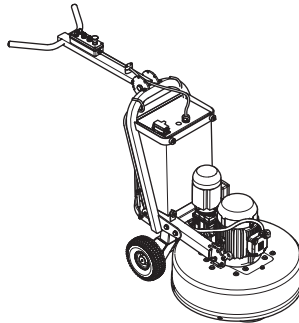
For customer information and assistance, contact us at our website: www.husqvarna.com

Design and features

Values such as high performance, reliability, innovative technology, advanced technical solutions and environmental considerations distinguish Husqvarna's products. Safe operation of this product requires the operator to read this manual carefully. Ask your dealer or Husqvarna should you need more information.

Some of the unique features of your product are described below.

PG 680/PG 820



The Husqvarna PG 680/820 floor surfacing machines are designed for wet or dry grinding of marble, terrazzo, granite and concrete. Their applications range from rough grinding through to a polished finish. The machine is intended for commercial use, for example in hotels, schools, hospitals, factories, offices etc.

- Planetary head and grinding heads are run with separate motors, so called Dual Drive Technology™. This gives the operator fully control of both planetary head and satellite heads in regards to speed and direction of rotation.
- A triple-head grinder gives more downward pressure and power to the grinding heads compared to 4-head machines. It also offers more stable operation over undulating surfaces than 4-head machines.
- Gear-driven planetary head with premium quality belt for power transmission to the grinding heads.
- Industrial strength construction.
- Robust steel frame.
- Spring steel heads.
- Strong single-piece aluminum cover.
- Solid hard rubber wheels.
- The 5-way sealing mechanism protects bearings and internal parts from concrete dust. This provides longer service intervals and longer life span of the machine.
- Redi Lock™ offers a hassle-free system for changing diamond tools.
- Ergonomic frame and handle design.
- Clear and easy to use controls for controlling machine functions.
- Low tool and maintenance costs per square meter/foot.

PRESENTATION

Additional features

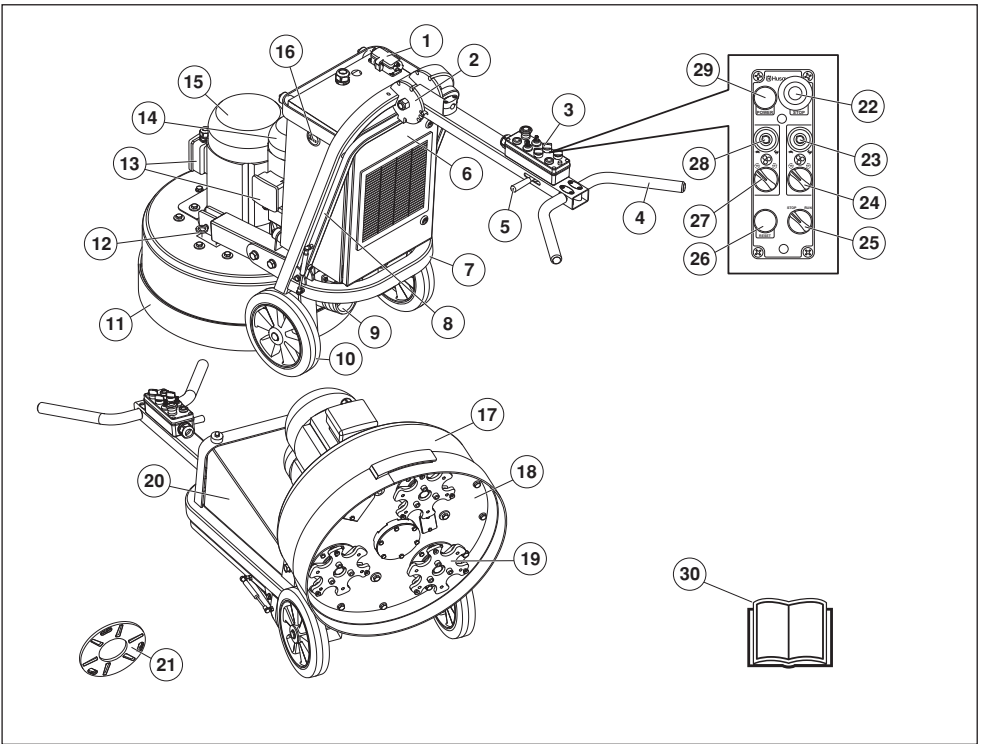
PG 820

- Wide grinding path well suited for professional use.

PG 680

- Fits easily through standard openings and is suitable for most tasks.
- Market leading power-to-weight ratio.

PRESENTATION



What is what on the grinder?

- | | |
|------------------------------------|--|
| 1 Cable connection | 16 Counter |
| 2 Handle adjustment | 17 Cover/Shroud |
| 3 Control panel | 18 Planetary head |
| 4 Handle | 19 Grinding heads |
| 5 Locking lever, handle adjustment | 20 Electrical cabinet |
| 6 Inspection cover | 21 Diamond holder disc |
| 7 Chassis/Frame | 22 Emergency stop |
| 8 Kicker bar | 23 Speed control for grinding heads |
| 9 Connection for vacuum cleaner | 24 Direction control for grinding heads |
| 10 Rubber wheels | 25 Stop/run switch |
| 11 Dust shirt | 26 Reset button |
| 12 Locking pin | 27 Direction control for planetary head rotation |
| 13 Motor terminal box | 28 Speed control for planetary head rotation |
| 14 Grinding heads motor | 29 Power button |
| 15 Planetary head motor | 30 Operator's manual |

MACHINE'S SAFETY EQUIPMENT

General

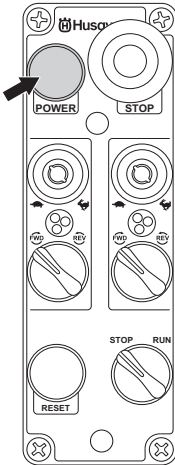


WARNING! Never use a machine with faulty safety equipment. The machine's safety equipment must be checked and maintained as described in this section. If your machine fails any of these checks contact your service agent to get it repaired.

This section describes the machine's safety equipment, its purpose, and how checks and maintenance should be carried out to ensure that it operates correctly.

Power button

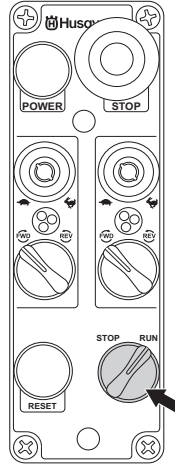
This button, when depressed, will turn on power supply to the unit when the EMERGENCY STOP button has been released.



Checking the power button

- Check that the emergency stop button is not pressed by turning it clockwise.
- Press the power button. On doing so, a soft 'clunk' should be heard to come from within the electrical cabinet. This indicates the line contactors have engaged, supplying power to the drives/frequency converters.
- Press the emergency stop.

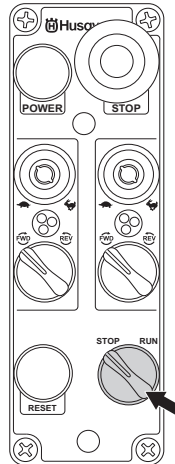
- Turn the stop/run switch to "RUN".



- The machine must not start.

Stop/run switch

The Stop/run switch is used to turn the engines on and off.



MACHINE'S SAFETY EQUIPMENT

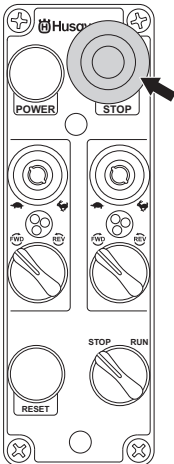
Checking the stop/run switch

Check that the emergency stop or machine stop button are not pressed by turning them clockwise.

- Press the power button.
- Reduce the pressure between grinding disc and floor by pushing down the handle without lifting the grinding unit from the floor when starting.
- Switch the machine to run mode using the STOP/RUN switch on the control panel. The machine should start smoothly and accelerate to the selected speed over a period of 5 seconds.
- Turn the stop/run switch to "STOP".

Emergency stop

The emergency stop is used to quickly switch off the engine. The emergency stop at the machine breaks the mains power supply.

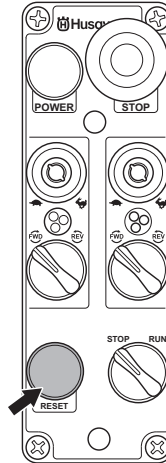


Testing the emergency stop

- Press the emergency stop. Check that the engine stops.
- Disengage Emergency Stop button (twist clockwise).

Reset button

- The Reset button is used to reset any active faults in the Vacon computer drives that can be caused during operation, such as 'Over Current' or 'Under Voltage'. Once Reset the machine will return to normal functionality.



ASSEMBLING AND ADJUSTMENTS

General



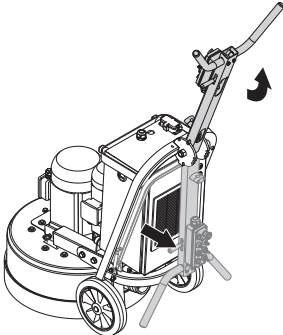
WARNING! The machine should be switched off with the power cable disconnected from the outlet.

Changing/fitting the diamonds

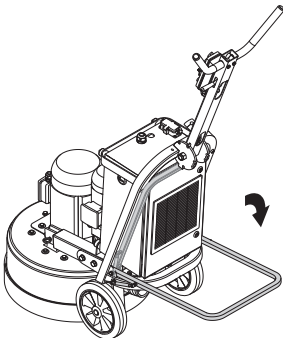
NOTICE! When using the machine, each grinding head must always have the same diamond type and number of diamonds as the other grinding heads. Each grinding head must have diamonds the same height as the other grinding heads.

Have a set of gloves ready, as diamonds can get very hot during dry grinding applications.

- Set handle in upright position.

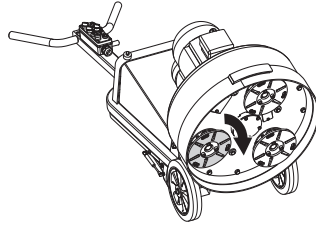


- Fold down the foot support.



- Grab the handle bar and with one foot on the foot support, tilt the machine backward. The machine should rest on its wheels and the chassis.
- Put on gloves.
- Remove grinding disc by slightly rotating disc and then pull off (direction that the discs will need to be rotated

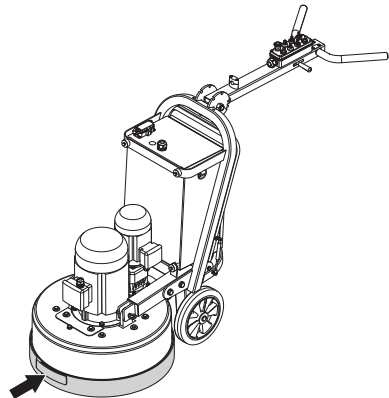
will depend on the direction the machine was last running).



- Use a hammer to remove the diamond segments.
- Affix new diamond segments on the grinding disc.

Assemble the parts in the reverse order.

As new diamonds may be a different height to set being previously used, re-adjust skirt to ensure good seal is established with the floor.



Adjusting the rubber skirt

- Adjust rubber skirt so that a good seal is established between the floor and head of machine. Ensure join in skirt is at the front of the machine. Setting of the skirt is essential to obtain good dust extraction and eliminate the possibility of airborne dust when dry grinding.

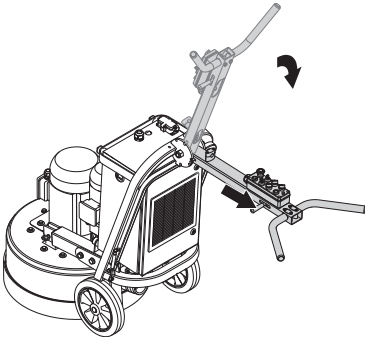
ASSEMBLING AND ADJUSTMENTS

Handle height

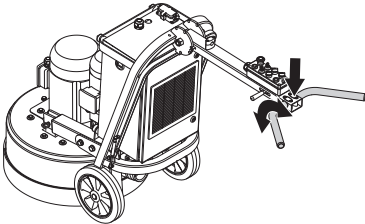


CAUTION! It is recommended that this height be set as close as possible to the height of the operator's hip bone. When the machine is running, there will be a grinding force/pull to one side that can be felt through the handlebars. Use the hip to resist this force instead of trying to control this through the arms (such positioning will be much easier for the operator using the machine over prolonged periods of time).

- Set handle to most comfortable working height using adjustment lever.



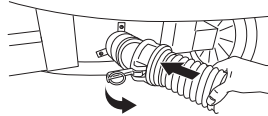
- Adjust the height of the top part of the handlebar.



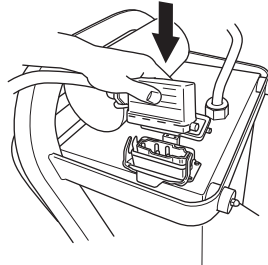
Connect the machine

It is highly recommended to use the Husqvarna DC 6000 dust extraction system for complete dust control.

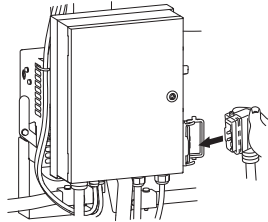
- Connect the dust extractor to the machine.



- Ensure the STOP/RUN switch is set on Stop (rotate counter clockwise).
- Connect the power plug from DC 6000 directly to the grinder.



- Connect the power plug from the grinder to the power outlet on the dust extractor.



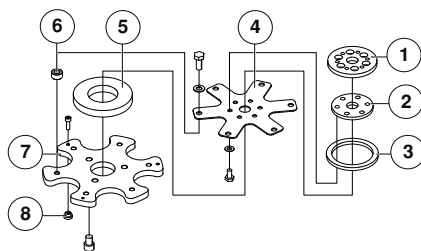
GRINDING GUIDE

Grinding heads

There are 2 different grinding head options:

- Spring steel heads - designed more for finishing or lighter grinding applications.
- Conventional / Demolition heads—designed for heavy duty preparation grinding where an extremely robust system is required. (additional accessory)

Spring steel heads



- 1 Drive hub
- 2 Spacer plate
- 3 Cushion ring
- 4 Spring steel spring
- 5 Silicone spring
- 6 Spacers
- 7 Head plate
- 8 Head lock

Between the head plate and head mate are a series of spacers, silicon spring and the spring steel spring which give shock absorption and flexibility in the system.

The spring steel heads are made up of a series of spacers, a silicone spring and a single spring steel spring. Combined these give flexibility and shock absorption to the system.

Unlike the heavy removal heads, the spring steel heads are able to move in a more flexible manner with out moving parts due to the spring steel design.

Diamond segments

The following are guidelines regarding diamond segments grinding applications. As with all guide lines there are always exceptions to the rule.

General

Diamond abrasives usually consist of 2 components:

- Diamond powder (also known as diamond crystals or grit). By changing the size of the diamond powder or grit, we can change how coarse or fine the scratches will be that are left behind from the grinding process.
- A binding agent (metal or resin). Diamond powder is mixed and suspended in either a metal or resin binding agent. When suspended in a metal binding agent, the finished product is referred to as a Metal Bond or Sintered diamond segment. When

suspended in a resin binding agent, the finished product is referred to as a Resin Bond diamond segment or pad. By changing the hardness of the binding agent, we can change how fast or slow the diamond abrasive will wear.

Diamond grit size

The following are general rules regarding diamond segments in grinding applications. As with all general rules there are exceptions or cases when it is not the case.

Changing the size of the diamond grit to a smaller particle/ grit size will effect the performance of the diamond tool in the following ways:

- Create a finer scratch pattern.
- Increase life of diamond tool.

The opposite will occur when changing to a larger particle/grit size.

Binding agent

Increasing hardness of bond will:

- Create a finer scratch pattern.
- Increase life of diamond tool.
- Decrease production rate.

The opposite will occur when making the metal or resin bond softer.

Number of diamond segments under the machine

Increasing the number of segments under the machine will:

- Reduce pressure on each individual diamond segment - reduce wear rate on diamond segments.
- Reduce load on the machine and cause the grinder to draw less current.
- Create a smoother scratch pattern (particularly on soft floors).

The opposite will occur when decreasing the number of segments under the machine.

Wet and dry grinding

When using diamond segments wet, the following principles apply:

- Production rates will be higher than dry grinding.
- Diamond segments will wear faster (due to presence of slurry) and therefore, harder bonds can be used (when comparing with dry grinding).
- Scratches from diamond grit will be deeper.

When using diamond segments dry, the following principles apply:

- Production rates will be slower on harder materials than if wet grinding.

GRINDING GUIDE

- Softer bond segments will be required in order to encourage segment wear (as there will be not slurry to help diamond segments to wear).
- Scratches from diamond grit will not be as deep compared to if it were also used for wet grinding.
- There will be more heat generated by the diamond segment.

Summary of diamond principles

Diamond segments need to wear in order to achieve productivity. Diamond segment wear can be influenced by the following factors:

- Pressure.
- Hardness of bond.
- Diamond grit size.
- Presence of water.
- Number of segments under the machine.
- Adding an additional abrasive (e.g. sand, silicone carbide) on the floor will increase wear.

Generally, the faster a diamond segment wears, the faster the productivity will be. By varying the above factors, changes can also be made to effect the following:

- Scratch pattern.
- Current draw of machine.
- Flatness of floor (see next section).
- Ease of operation.

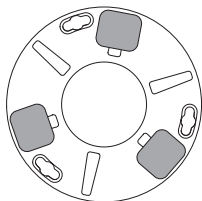
Full and half sets of diamonds

General

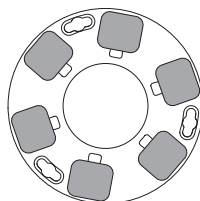
The way diamond segments are set-up on the grinding heads of the machine will also greatly influence the performance of the machine, the productivity levels and also the finished floor quality.

There are basically two types of diamond configurations that can be used when using the grinder:

- Half set of diamonds – when there are diamonds placed at three alternating positions on the diamond holder discs.



- Full set of diamonds – when there are diamonds placed at each of the six positions on the diamond holder discs.



By changing the way the diamonds are set-up on the diamond holder discs, an operator can significantly effect the performance of the machine and therefore, the finished product.

Half-set of diamonds

When the diamonds are set-up as a half-set, they tend to follow the surface of the floor. Similar to a tripod for a camera, which can be placed on an uneven surface and yet still find a stable footing.

The half-set diamond configuration should only be used when a flat floor finish is not required.

Full-set of diamonds

When the diamonds are set-up as a full-set, they tend not to follow the surface of the floor. If the floor has undulations, the machine will grind the high areas yet miss the low spots.

The full-set diamond configuration should be used when a flat floor finish is desired.

The below table gives some examples of possible applications for the two arrangements:

Applications	Full set	Half set
Ceramic tile adhesive removal	X	
Carpet glue removal		X
Epoxy paint removal	X	
Vinyl adhesive removal		X
Rain damaged concrete	X	
Smoothen exposed aggregate	X	
Lippage removal between cementitious based tiles.	X	
Surface polishing of concrete floors		X
Grinding to expose aggregate in concrete polishing application	X	
Flatten undulations in concrete floors	X	
Re-polish floors that have been ground before		X

Determining the hardness of concrete

All concretes are measured by their compressive strength and depending on which part of the world you are from, different compressive strength indices (e.g. PSi & MPa) are used. Generally, the higher the compressive strength rating, the harder the concrete and therefore, the harder it will be to grind.

But there are also factors other than compression strength that determine how hard a floor is and which therefore affect the choice of diamond tool. As it is most often only the top layer (5 mm) that we are talking about from a grinding point of view, the surface treatment of the concrete and the condition of the concrete surface have many times a greater impact on the choice of diamond segment than the compression strength.

Surface factors to consider when making a diamond selection

Generally, if a concrete surface is very smooth (i.e. Most likely it has been heavily trowelled/helicoptered), the concrete will behave as if it has a high compressive strength and therefore, require a soft bond segment.

Accordingly, if a concrete surface is coarse/aggressive (e.g. rain-damaged, shot blasted, scarified, exposed aggregate e.t.c.), the concrete will behave as if it has a low compressive strength and therefore, require a hard bond segment.

Surface coatings/contaminants (e.g. Epoxy coatings, ceramic tile adhesives, levelling compounds/screeds) will often have a larger bearing on what diamond to select, than will the compressive strength of the concrete.

As a general rule, when grinding a concrete slab for the first time and you are unsure about its hardness, always begin with harder bond diamonds under the machine. This will ensure the least amount of wear on the diamond segments. If a hard diamond segment is not suited to the application, all it has cost is a little amount of time without wearing out the diamonds.

If performed the other way around (i.e. a soft segment is used to begin with) and the concrete is soft or possesses an abrasive surface or surface contaminant, it is quite possible to wear-out a considerable amount of diamond in very short period of time.

GRINDING GUIDE

Diamond selection

The following suggestions cover the basic principles for diamond selection for different applications.

Applications	Metal bond	Grit size	Full set	Half set	Singles/Doubles/Triples
Flatten floor - Hard concrete	Soft	16 to 30	X		S
Flatten floor - Medium concrete	Medium	16 to 30	X		S
Flatten floor - Soft concrete	Hard	16 to 30	X		D or T
Ceramic tile adhesive removal	Hard	16 to 30	X		S or D
Vinyl or Carpet glue removal - Hard concrete	Soft	16 to 30		X	S or D
Vinyl or Carpet glue removal - Medium concrete	Medium	PCD to 16		X	D or T
Vinyl or Carpet glue removal - Soft concrete	Hard	PCD to 16		X	D or T
Epoxy paint removal - Hard concrete	Soft	16 to 30	X	X	S
Epoxy paint removal - Medium concrete	Medium	16 to 30	X		S
Epoxy paint removal - Soft concrete	Hard	16 to 30	X		D or T
Rain damaged concrete	Hard	16 to 30	X		D or T
Smoothen exposed aggregate	Hard	16 to 30	X		S or D
Lippage removal in terrazzo/stone tiles	Soft	30 to 60	X		S
Surface polishing of concrete floors - Hard concrete	Soft	60		X	S or D
Surface polishing of concrete floors - Medium concrete	Medium	60		X	S or D
Surface polishing of concrete floors - Soft concrete	Hard	60		X	T
Grinding to exposed aggregate in concrete - Hard concrete	Soft	16 to 30	X		S
Grinding to exposed aggregate in concrete - Medium concrete	Medium	16 to 30	X		S
Grinding to exposed aggregate in concrete - Soft concrete	Hard	16 to 30	X		D or T
Flatten undulation in concrete floors - Hard concrete	Soft	16 to 30	X		S
Flatten undulation in concrete floors - Medium concrete	Medium	16 to 30	X		S
Flatten undulation in concrete floors - Soft concrete	Hard	16 to 30	X		T

OPERATING

Protective equipment

General

Do not use the machine unless you are able to call for help in the event of an accident.

Personal protective equipment

You must use approved personal protective equipment whenever you use the machine. Personal protective equipment cannot eliminate the risk of injury but it will reduce the degree of injury if an accident does happen. Ask your dealer for help in choosing the right equipment.



WARNING! The use of products such as cutters, grinders, drills, that sand or form material can generate dust and vapours which may contain hazardous chemicals. Check the nature of the material you intend to process and use an appropriate breathing mask.



WARNING! Long-term exposure to noise can result in permanent hearing impairment. So always use approved hearing protection. Listen out for warning signals or shouts when you are wearing hearing protection. Always remove your hearing protection as soon as the engine stops.



WARNING! There is always a risk of crush injuries when working with products containing moving parts. Wear protective gloves to avoid body injuries.

Always wear:

- Protective helmet
- Hearing protection
- Protective goggles or a visor
- Breathing mask
- Heavy-duty, firm grip gloves.
- Tight-fitting, heavy-duty and comfortable clothing that permits full freedom of movement.
- Boots with steel toe-caps and non-slip sole.

Be careful as clothing, long hair, and jewellery can get caught in moving parts.

Other protective equipment



WARNING! Sparks may appear and start a fire when you work with the machine. Always keep fire fighting equipment handy.

- Fire fighting equipment
- Always have a first aid kit nearby.

General safety precautions

This section describes basic safety directions for using the machine. This information is never a substitute for professional skills and experience.

- Please read the operator's manual carefully and make sure you understand the instructions before using the machine. **Save all warnings and instructions for future reference.**
- Keep in mind that it is you, the operator that is responsible for not exposing people or their property to accidents or hazards.
- The machine must be kept clean. Signs and stickers must be fully legible.

Always use common sense

It is not possible to cover every conceivable situation you can face. Always exercise care and use your common sense. If you get into a situation where you feel unsafe, stop and seek expert advice. Contact your dealer, service agent or an experienced user. Do not attempt any task that you feel unsure of!



WARNING! The machine can be a dangerous tool if used incorrectly or carelessly, which can cause serious or fatal injury to the operator or others.

Never allow children or other persons not trained in the use of the machine to use or service it.

Children shall not play with the appliance.

Never allow anyone else to use the machine without first ensuring that they have read and understood the contents of the operator's manual. Never use the machine if you are fatigued, while under the influence of alcohol or drugs, medication or anything that could affect your vision, alertness, coordination or judgement.

OPERATING



WARNING! Unauthorized modifications and/or accessories may lead to serious injury or death to the user or others. Under no circumstances may the design of the machine be modified without the permission of the manufacturer.

Do not modify this product or use it if it appears to have been modified by others.

Never use a machine that is faulty. Carry out the checks, maintenance and service instructions described in this manual. Some maintenance and service measures must be carried out by trained and qualified specialists. See instructions under the heading Maintenance.

Always use genuine accessories.



WARNING! Never allow children to use or be in the vicinity of the machine.



WARNING! Overexposure to vibration can lead to circulatory damage or nerve damage in people who have impaired circulation. Contact your doctor if you experience symptoms of overexposure to vibration. Such symptoms include numbness, loss of feeling, tingling, pricking, pain, loss of strength, changes in skin colour or condition. These symptoms normally appear in the fingers, hands or wrists. These symptoms may be increased in cold temperatures.

Work area safety

- Observe your surroundings to ensure that nothing can affect your control of the machine.
- Do not use the machine in bad weather, such as dense fog, rain, strong wind, intense cold, etc. Working in bad weather is tiring and can lead to dangerous conditions, e.g. slippery surfaces.
- Never start to work with the machine before the working area is clear and you have a firm foothold.
- Ensure that the working area is sufficiently illuminated to create a safe working environment.
- The machine should not be used in areas where potential for fire or explosions exist.

Electrical safety



WARNING! There is always a risk of shocks from electrically powered machines. Avoid unfavourable weather conditions and body contact with lightning conductors and metal objects. Always follow the instructions in the Operator's manual to avoid damage.

Never connect the machine to a outlet if plug or cord is damaged.

- Check that the mains voltage corresponds with that stated on the rating plate on the machine.
- Inspection and/or maintenance should be carried out with the motor switched off and the plug disconnected.
- Always shut down the machine before disconnecting the power plug.
- Always unplug the machine during longer work breaks.
- Never drag the machine by means of the cord and never pull out the plug by pulling the cord. Hold the plug to disconnect the power cord.
- Never use the machine if any cable is damaged, but hand it in to an authorized service workshop for repair.
- The machine must never be driven to such a depth in water that it reaches up to the machine's equipment. The equipment can be damaged and the machine can be live, resulting in personal injuries.

Grounding instructions



WARNING! Improper connection can result in the risk of electric shock. Contact a qualified electrician if in doubt as to whether the appliance is properly grounded.

Do not modify the plug. If it will not fit the outlet have a proper outlet installed by a qualified electrician. Make sure local regulations and ordinances are followed.

If the grounding instructions are not fully understood contact a qualified electrician.

- The machine is equipped with a grounded cord and plug and should always be connected to a grounded outlet. This reduces the risk of electric shock in the event of malfunction.
- The use of adaptors is not allowed with the machine.

Extension cords and cables

- The marking on the extension cable must be the same or higher than the value stated on the machine's rating plate.
- Use grounded extension cables.

OPERATING

- **When operating a power tool outdoors, use an extension cord suitable for outdoor use.** Use of a cord suitable for outdoor use reduces the risk of electric shock.
- Keep the connection to the extension cord dry and off the ground.
- Keep cable away from heat, oil, sharp edges or moving parts. Damaged or entangled cable increase the risk of electric shock.
- Check that the cables are intact and in good condition. Never use the machine if any cable or plug is damaged, but hand it in to an authorized service workshop for repair.
- To avoid overheating do not use the extension cord while it is rolled up.
- Ensure the cord is behind you when you start to use the machine so that the cord will not be damaged.

Work safety

- Never leave the machine unsupervised with the motor running.
- Make sure that there is always another person close at hand when you use the machines, so that you can call for help if an accident should occur.
- Keep all parts in good working order and ensure that all fixtures are properly tightened.
- Machinery should only be started when grinding heads are resting on the ground unless carrying out a testing procedure as outlined in this manual.
- The machine should not be started without the rubber dust skirt attached. It is essential a good seal between machine and floor be established for safety, especially when operating in dry grinding applications.

Transport and storage

- Extreme caution must be used when moving machinery by hand on an inclined plane. Even the slightest slope can cause forces/momentum making the machinery impossible to brake manually.
- The machine should not be lifted by handles, motor, chassis or other parts. Transportation of the machine is best done on a pallet / skid to which the machine must be firmly secured.
- At no time should lifting of machinery be attempted without mechanical means such as a hoist or fork lift.
- Do not attempt to slide the tines/forks from a fork lift under grinding heads unless on a pallet/skid. Failure to do so can cause irreparable damage to grinding heads of machine and internal parts.
- Secure the equipment during transportation in order to avoid transport damage and accidents.
- The machine should be transported under cover where possible, limiting the exposed to natural elements – in particular rain and snow.

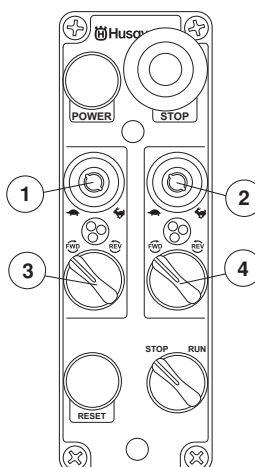
- It is recommended that machinery be transported with a set of diamonds attached at all times to ensure protection of locking mechanism for diamond plates.
- Store the equipment in a lockable area so that it is out of reach of children and unauthorized persons.
- The machine should always be stored in a dry place when not in use.

Speed and direction of rotation

General

Planetary head and grinding heads are run with separate motors, so called Dual Drive Technology™. This gives the operator fully control of both planetary head and satellite heads in regards to speed and direction of rotation.

Speed and direction of rotation is set using the controls on the control panel.



- 1 Speed control for planetary head rotation
- 2 Speed control for grinding heads
- 3 Direction control for planetary head rotation
- 4 Direction control for grinding heads

Speed

When starting the machine for the first time on any given application, it is advised the speed setting should not exceed 7, initially.

When the operator is comfortable with the application, speed may be altered.

Direction of rotation

Seen from underneath the machine, the direction of rotation is as follows:

- REV - Clockwise.
- FWD - Reverse.

OPERATING

The machine will "pull" to one direction during operation. The direction of pull is determined by the planetary head direction of rotation. The head of the machine will pull to the right (and therefore, will be felt on the right hip of the operator) when the planetary head is set in the REVERSE direction.

This sideways pull can be very useful when grinding, particularly along a wall. Set the machine so that it pulls towards the wall, and then control the machine so it can just touch the wall. This will ensure a grind close to the wall or object.

NOTICE! Planetary head and grinding heads are set to both turn in the same direction (i.e. both in clockwise rotation or both in counter-clockwise rotation).

A more powerful grinding force is created when both planetary head and grinding discs heads are running in the same direction. The end result is higher productivity than when the discs are set to run in opposite directions. It is here that you will also experience the benefit of Dual Drive Technology™.

To improve the cutting efficiency of diamonds, change directions on a regular basis. This will work both sides of the diamond crystals, keeping the abrasives as sharp as possible by creating maximal exposure of the diamond crystal.

OPERATING

Setting speed and direction

Speed and direction setting is often a matter of personal choice. Operators are encouraged to experiment to find which settings best suit the given applications. The following table lists some suggested set-ups for different applications.

Applications	Direction control for planetary head rotation	Speed control for planetary head rotation	Direction control for grinding heads	Speed control for grinding heads
Ceramic tile adhesive removal	FWD	6-7	FWD	8-10
Carpet glue removal	FWD	5-7	FWD	8-10
Epoxy paint removal	FWD	5-10	FWD	8-10
Rain damaged concrete	FWD	7-10	FWD	8-10
Smoothen exposed aggregate	FWD	7-8	FWD	8-10
Lippage removal in terrazzo/stone tiles	FWD	5-7	FWD	8-10
Concrete polishing with plastic bonded tools	FWD	10	FWD	8-10
PIRANHA™ scraper tool	REW	3-5	REW	3-5
Re-grouting procedure during HIPERFLOOR™ process	FWD	8-10	FWD	3-5

NOTICE! In the above table, FWD & FWD are listed together to indicate direction settings in the same direction (i.e. It can also be REV/REV). The only application where direction settings must be in the same directions and also direction specific is when using the PIRANHA™ scraper tools. In this particular application the setting must be in the REV/REV direction.

OPERATING

Basic working techniques

General

The Husqvarna PG 680/820 floor surfacing machines are designed for wet or dry grinding of marble, terrazzo, granite and concrete. Their applications range from rough grinding through to a polished finish.

It is highly recommended to use the Husqvarna DC 6000 dust extraction system for complete dust control.

Variable speed drives/frequency converters



WARNING! The Speed drive/Frequency converter may only be used by authorized personnel. Risk of electric shock!

Each Husqvarna PG 680 & 820 is equipped with 2 variable speed drive or frequency converter. This unit is incorporated into the machine for the following reasons:

Functional

- Manipulate incoming power to enable increase/decrease in speed & direction change.
- Regulate current and voltage supply to the motors to ensure motors run at optimum levels (e.g. torque boost).

Protection

- Monitors incoming power to ensure suitability for machine and application being performed.
- Controls current being drawn by motors to ensure motors are running within safe operational limits (to prevent damage to motor).
- Monitors load on machine to ensure the grinder is not being overloaded thus offering protection for belt, bearings and other internal components.
- Protects motors from faulty power supply (e.g. running on 2 phases).

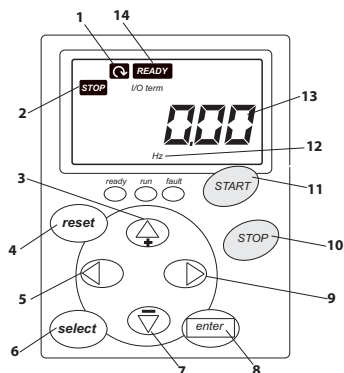
Diagnostic

- Identifies electrical faults with the machine and registers fault code.
- Has monitoring menus that help isolate cause of potential electrical faults.

Monitoring menus also enable operator to gauge how hard machine is working. Whilst it is not essential for an operator to intimately know every feature of the variable speed drives or frequency converters, it is useful to be familiar with both the fault codes as well as some of the monitoring menus.

Keypad/Display

Each variable speed drive or frequency converter has a keypad which will appear as illustrated below when the machine has power connected to it.



- 1 Run direction (fwd or rev)
- 2 Indicates if unit is either stopped or running
- 3 Up key
- 4 Reset button
- 5 Left key
- 6 Select button
- 7 Down key
- 8 Enter button
- 9 Right key
- 10 Stopping
- 11 Starting
- 12 Output mode (Hertz in this example)
- 13 Output value
- 14 Stand by ready indicator

OPERATING

Monitor screen	Information provided
OUTPUT FREQUENCY	Frequency motor is running at when machine is running.
REF. FREQUENCY	Frequency speed control dial is set to.
MOTOR SPEED	Speed of motor when machine is running.
MOTOR CURRENT	Current draw of motor when machine is running.
MOTOR TORQUE	Percentage of motor torque when machine is running.
MOTOR POWER	Percentage of motor power when machine is running.
MOTOR VOLTAGE	Percentage of motor voltage when machine is running.
DC LINK VOLTAGE	Indicates quality of power supply.

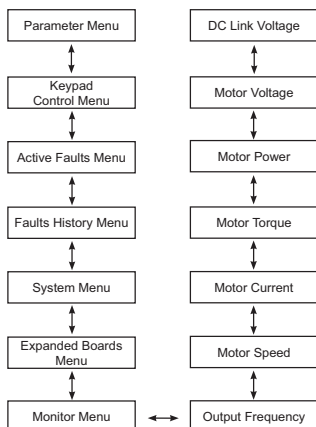
The menu tree illustrated on this page outlines the important menu options that provide useful information for monitoring and diagnostic purposes when using the machine.

As can be seen on the menu tree to the right, when the machine is turned on, the variable speed drives or frequency converters are set to display the Output Frequency to the motor (a zero value will register when the machine is in stand-by mode).

The Output Frequency page also falls under the Monitor Menu.

It can be seen from the left hand column, the two primary menus important to the operator are the Monitor Menu and Fault History menu.

Navigation through the menu tree is achieved by using the up, down, left and right keys on the keypad (see previous page).



Menus and information they provide

The following menu items/screens on the variable speed drive/frequency converters provide the following useful information to the operator.

OUTPUT FREQUENCY (Monitor Menu)

This screen tells the operator the frequency the motor is running at when the machine is in operation. The value for output frequency should be constant when the machine is running. If there is a fluctuation in output frequency when the machine is running, generally this indicates the motor is running at or near the limit of its programmed current limit. The current limits (predetermined and set by Husqvarna Constructions Products) are as follows:

- Large motor (which information is found on the large variable speed drive/frequency converter) - 25 amps.
- Small motor (which information is found on the small variable speed drive/frequency converter) - 5 amps.

If there is a fluctuation in output frequency when the machine is in operation, it is advisable to check the motor current as well. This can be found by pressing the UP arrow on the keypad 3 times. For trouble free operation concerning current issues, it is best to keep output current at or around 21 amps (for the large motor). The current draw of the motor can be reduced by reducing the speed of the motor using the speed dial on the control panel near the handle bars.

Generally, most over-current problems will be associated with the large motor (and therefore, monitored on the large variable speed drive/frequency converter). Keep the current draw on the small motor under 3.5 amps for consistent operation.

MOTOR CURRENT (Monitor Menu)

This screen displays the current draw of the corresponding motor (i.e. large variable speed drive/frequency converter monitors function of large motor, small variable speed drive/frequency converter monitors function of small motor) when the motor is running.

See comments already covered under OUTPUT FREQUENCY relating to motor current.

DC LINK VOLTAGE (Monitor Menu)

This screen displays the quality of the power supply to the machine. It will read higher values when the machine is standby and lower values when the machine is in operation.

FAULT HISTORY

The fault history menu stores the last series of faults experienced by the variable speed drive/frequency converter. If there is a recurring fault pattern experienced by the machine, the information can be obtained from the fault history menu. For more on faults, see trouble shooting faults.

STARTING AND STOPPING

Before starting



WARNING! Please read the operator's manual carefully and make sure you understand the instructions before using the machine.

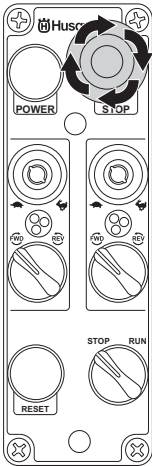
Wear personal protective equipment. See instructions under the "Personal protective equipment" heading.

Make sure no unauthorised persons are in the working area, otherwise there is a risk of serious personal injury.

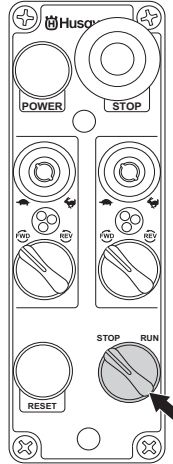
- Check that the machine is assembled correctly and do not show any signs of damage. See instructions in the section "Assembling and adjustments".
- Perform daily maintenance. See instructions in the section "Maintenance".

Starting

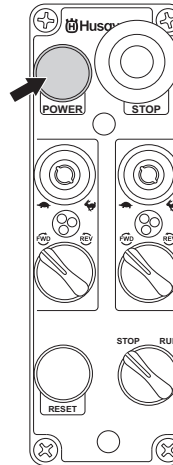
- Check that the emergency stop button is not pressed by turning it clockwise.



- Check that the STOP/RUN switch is set to STOP.



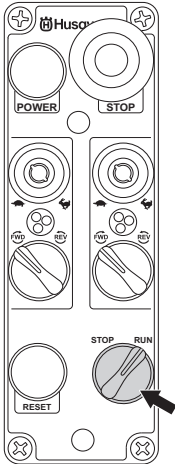
- Press the power button. On doing so, a soft 'clunk' should be heard to come from within the electrical cabinet. This indicates the line contactors have engaged, supplying power to the drives/frequency converters.



- Reduce the pressure between grinding disc and floor by pushing down the handle without lifting the grinding unit from the floor when starting.
- Switch the machine to run mode using the STOP/RUN switch on the control panel. The machine should start

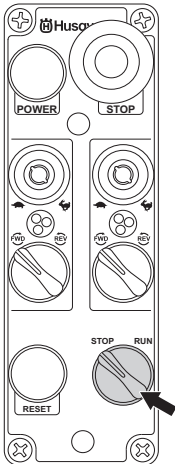
STARTING AND STOPPING

smoothly and accelerate to the selected speed over a period of 5 seconds.



Stopping

Turn the stop/run switch to "STOP".



MAINTENANCE

General



WARNING! The user must only carry out the maintenance and service work described in this Operator's Manual. More extensive work must be carried out by an authorized service workshop.

The machine should be switched off with the power cable disconnected from the outlet.

Wear personal protective equipment. See instructions under the "Personal protective equipment" heading.

The life span of the machine can be reduced and the risk of accidents can increase if machine maintenance is not carried out correctly and if service and/or repairs are not carried out professionally. If you need further information please contact your nearest service workshop.

Let your Husqvarna dealer regularly check the machine and make essential adjustments and repairs.

Maintenance schedule

	Daily maintenance	Weekly maintenance	6 monthly	After 12-36 months
Cleaning	External cleaning		Internal components of the machine	
Functional inspection	General inspection	Planetary drive system		
	Grinding heads			
	Power button			
	Stop/run switch			
	Emergency stop			
	Protective cover			
Service				Grinding Heads Drive System

Maintenance check list

External mechanical checks	Time required (min)
Tilt the unit back. Check for and remove any Diamond tools	2
Check shroud for damages affecting the planetary rotation, satellite rotation, planetary seal efficiency and extraction efficiency	5
Unplug the planetary drive to reduce operating noise. Run the discs through the range of speeds listening for bearing noises caused by broken bearings	5
Unplug the small motor and run discs at low speed and check how discs are running.	5
Check the condition of belt and that the inside of the machine is clean	10
Check the headlocks and tighten if needed (3 per satellite)	5
Check movements of the satellites. If not running correctly, disassemble all heads.	15
Check the spring steel leaf and spring cushion carefully for wear	10
Check dust seals for wear	5
Unplug large motor and replace small motor. Run the planetary head through the range of speeds and listen to operation.	5
Check condition of sprocket and chainring of the planetary drive gearbox. Replace if needed.	5
When planetary drive is removed, check for dust on the top surface. Check the condition of the planetary head seal. Replace if needed.	20

MAINTENANCE

Cleaning



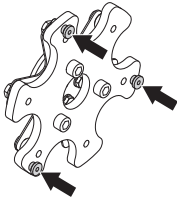
WARNING! Do not clean the machine with a water spray or similar.

External cleaning

Functional inspection

General inspection

- Check that the cord and extension cord are intact and in good condition.
- Check that nuts and screws are tight.
- Check that head locks are tight. Tighten head locks and re-set in thread-locking compound if required (Suggested thread-locking compound Loctite 680).



Grinding heads

Over an extended period of time the spring steel spring fatigues and the spring steel "fingers" begin to break off. This creates irregular movement within the grinding heads and will cause vibration when the machine is in operation.

Routine checks for broken "fingers" in the spring steel grinding heads are recommended. Life expectancy for grinding heads can vary between 6 and 12 months depending on the amount of usage.



Replacement spring steel springs are available and can be replaced without throwing the grinding head away.

The spring steel heads can also be made less flexible by the addition of a second spring steel spring.

Planetary drive system

The planetary drive system consists of the sprocket (which runs the chain ring) and the chain ring. This system is a dry system (i.e. it is not required for there to be lubrication between the planetary drive sprocket and chain ring), to allow any dust that may come into contact with the chain ring to fall back out again.

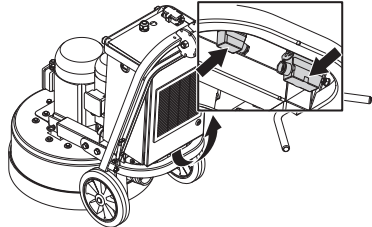
NOTICE! Lubrication of this system will cause dust to build up in chain ring and drastically shorten the life of both the chain ring and planetary drive sprocket.

As the chain ring and planetary drive sprocket are located beneath the cover of the machine, yet on the outside of the machine, there lies the potential that they can be exposed to dust and other debris created during the grinding process.

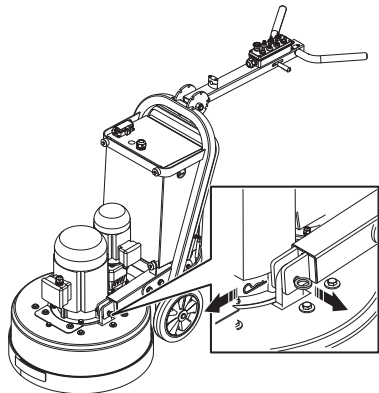
To prevent this as much as possible, a planetary seal has been installed to stop dust and other particles from coming into contact with the planetary drive mechanism.

Checking the planetary seal

- Unplug the power cable for the planetary motor and the grinding motor.



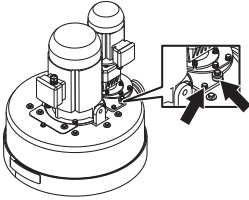
- Pull out the pin.



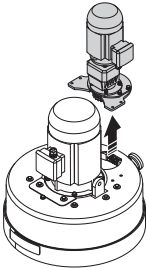
- Hold on to the chassis and remove the assembly pin.

MAINTENANCE

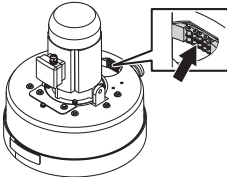
- Remove the bolts.



- Lift off the motor/gear unit.



- Inspect for dust build up here. If the planetary seal is working effectively, there should be a very minimal amount of dust observed under the cover of the machine. If there is a build-up of 5-6mm (1/4 inch), then it is more than likely it is time to remove the machine cover and check the condition of the planetary seal.



- Remove the bolts.



NOTICE! Prior to removing belt tensioner cover plate, ensure cover plate and area surrounding cover plate are totally clean. Avoid debris from entering into inside of machine.

- Lift off machine cover to reveal chain ring and planetary seal.
- If planetary seal is worn or needs replacement, contact your Husqvarna Construction Products distributor for a new planetary seal replacement kit.

Service



CAUTION! All types of repairs may only be carried out by authorised repairmen. This is so that the operators are not exposed to great risks.

Grinding Heads Drive System

As the grinding discs are driven by the large motor via an internal belt, and because the belt is sealed inside the machine, there is no maintenance regarding this drive system until a major service (belt and bearing replacement) is due. This is typically following 12-36 months of operation.

It needs to be considered that some applications are more demanding than others. This will in turn influence the operation time before an internal service is required. Take the equipment to an authorized service shop.

MAINTENANCE

Faults and trouble shooting

The following table outlines some of the problems that may be experienced when using the PG grinders and a list of potential solutions.

Problem	Possible Cause	Potential Solution
GRINDER IS HARD TO HOLD ON TO	Not enough diamonds under the machine (if grinding thick glue or soft floors, too few diamonds under the machine will greatly increase the load on grinder and operator). Usually also accompanied by high current draw by large motor.	Increase number of diamonds under machine to reduce load on grinder and operator.
	Large motor not working (this can be caused by fault with motor, fault with wiring to motor, or fault with large variable speed drive or frequency converter).	Check large motor is plugged in. Check there are no faults on larger variable speed drive or frequency converter. Check that large variable speed drive or frequency converter is on. Check that large variable speed drive or frequency converter is functioning properly (unplug both motors, set display on keypad to Output Frequency, switch machine to RUN, see if numbers on screen change from zero and begin counting up. If numbers stay on zero, large variable speed drive or frequency converter is not receiving run command from switch on control panel. Machine needs to be checked by an electrician or by Husqvarna Construction Products.
	Drive belt is slipping.	Remove belt tensioner cover plate on bottom of machine and check there is no water or dust on the inside of the machine that may be causing the belt to slip on the drive pulleys.
	Drive belt is broken (this can be confirmed by turning one of the grinding heads by hand. If all grinding heads rotate together, belt is not broken. If only one grinding head turns, belt is broken).	Replace internal drive belt.
	Only 1 phase is coming into the machine, machine will not fault and will draw <1 amp motor current, fan will be turning slowly.	Check incoming power supply.
	The application or the use of the machine requires too much of the machine capacity	In some applications even when the right number and type of diamonds have been selected, it can still be necessary to slow down both the motors speeds and the forward speed of the machine across the floor.
GRINDER SOUNDS LIKE IT IS OVER-REVING	Small planetary drive motor not plugged in.	Check small planetary drive motor is plugged in.
	Small motor not working (this can be caused by fault with motor, fault with wiring to the motor, or fault with small variable speed drive or frequency converter).	Check small motor is plugged in. Check there are no faults on small variable speed drive or frequency converter. Check that small variable speed drive or frequency converter is on. Check that small variable speed drive or frequency converter is functioning properly (unplug both motors, set display on keypad to Output Frequency, switch machine to RUN, see if numbers on screen change from zero and begin counting up. If numbers stay on zero, small variable speed drive or frequency converter is not receiving run command from witch on control panel. Machine needs to be checked by an electrician or Husqvarna Construction Products.
	The large motor is not working. This can be caused by fault with motor, fault with wiring to motor, or fault with large variable speed drive.	Check that there are no faults on either the small or the large variable speed drives. Reset if required at the control panel on the handle bar.

MAINTENANCE

GRINDER IS LEAVING AN IRREGULAR SCRATCH PATTERN	Diamonds may not be fitted correctly or different height diamonds may be on the grinding heads. Diamond tools may be mixed.	Check that all diamonds are fitted correctly and are the same height. Check that all segments are the same grit and bond. In the event of uneven diamond segments space out uneven diamonds evenly and run machine on an abrasive surface till all segments are equal heights.
	Head locks may be loose or missing.	Check that all head locks are present and tight.
	Resin tools may be mixed or have picked up a contaminant.	Ensure that all resins are the same grit and bond and free from contaminants. To clean resins briefly run them on a lightly abrasive surface.
	Grinding heads may be worn-out or damaged.	Check grinding heads for broken parts or excess movement.
GRINDER IS JUMPING AROUND	Grinding heads may be worn-out or damaged.	Check grinding heads for broken parts or excess movement.
	Diamonds may not be fitted correctly or different height diamonds may be on the grinding heads.	Check to ensure all diamonds are fitted correctly and are the same height.
	Head locks may be loose or missing.	Check to ensure all head locks are present and tight.
	Small motor not working (this can be caused by fault with motor, fault with wiring to motor, or fault with the small variable speed drive)	Check that the small variable speed drive is on. Check that there are no faults on the small variable speed drive. Reset if required, at the control panel near the handle bars. Check that small variable speed drive is functioning properly (unplug both motors, set display on keypad to output frequency, switch machine to RUN, see if numbers on screen change from zero and begin counting up. If numbers stay on zero, small variable speed drive is not receiving run command from switch on control panel.) Machine needs to be checked by an electrician or a Husqvarna service agent.

MAINTENANCE

Fault tracing table

Problem/Fault Code	Possible Cause	Potential Solution
Machine will not turn on	The incoming power cable is not live	Check that incoming power is turned on
	The EMERGENCY STOP button is engaged	Twist the Emergency Stop button to release
	The safety circuit breaker is open inside the electrical cabinet	Close circuit breaker to complete the circuit
	Problem with the contactor on the back of the POWER button	Check that wires are connected and firm on the back of the POWER button as on machine model schematic. Check that the contactor is engaging when the POWER button is pressed.
Opening display screens (V1.1) does not change from 0,00 Hz on the variable speed drives when I switch my machine from STOP to RUN	Problem with the connection of the wires to STOP/RUN switch or with the contactor on the back of the STOP/RUN switch	Check that the stop run switch wires inside the control panel are connected and firm and are engaging and disengaging when switch is turned.
Opening display screen (V.1.1) stays on 0,00 Hz on only one of the variable speed drives when I switch my machine from STOP to RUN	Problem with the electrical connection from STOP/RUN switch to on of the FWD/REV switches	Check that linkage wires between STOP/RUN switch and the FWD/REV switches are connected and firm as machine model schematic
	Problem with the wire connection from FWD/REV switch to the frequency inverter or with the contactor on the back of the FWD/REV switch	Check that linkage wires between FWD/REV switches and frequency inverter are firm and correct as machine model schematic. Check that the contactor is completely engaging and disengaging when switch is turned.
Display screen when on frequency reference display (V1.1.2) will not go all the way to 80 Hz on the large variable speed drive	Problem with the head speed potentiometer on the control panel near the handle bars	Check wires into potentiometer, as machine model schematic. Replace potentiometer if needed.
	Problem with the wiring communications into the variable speed drive	Check the control panel cable and cable into variable speed drive terminals for damages
	Problem with the data and programming of the variable speed drive	Re-programming required. Machine needs to be checked by a Husqvarna service agent
Display screen when on frequency reference display (V1.1.2) will not go all the way to 120 Hz on the small variable speed drive	Problem with the disc speed potentiometer on the control panel near the handle bars	Check wires into potentiometer, as machine model schematic. Replace potentiometer if needed.
	Problem with the wiring communications into the variable speed drive	Check the control panel cable and cable into variable speed drive terminals for damages
	Problem with the data and programming of the variable speed drive	Re-programming required. Machine needs to be checked by a Husqvarna service agent
Display screen when on frequency reference display (V1.1.2) will not go all the way to 100 Hz on the variable speed drive	Problem with the disc speed potentiometer on the control panel near the handle bars	Check wires into potentiometer, as machine model schematic. Replace potentiometer if needed.
	Problem with the wiring communications into the variable speed drive	Check the control panel cable and cable into variable speed drive terminals for damages
	Problem with the data and programming of the variable speed drive	Re-programming required. Machine needs to be checked by a Husqvarna service agent
DC link voltage (screen V1.18) is less than 550 +/- 5V when the machine is in stand by	Poor power supply coming into the variable speed drive	Check voltage and phases to grinding machine at the first point of output power to the grinder
DC link voltage (screen V1.18) is less than 500 +/- 5V when the machine is in operation	Poor power supply coming into the variable speed drive	Check both voltage and phases to grinding machine at the first point of output power to the grinder, including wiring connections at the contactor and variable speed drive input

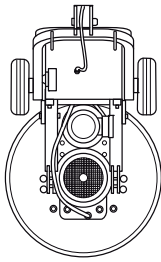
MAINTENANCE

Red light has come on at the control panel during operation	Fault codes appear on the display screen inside the electrical cabinet	Check the fault code on the display screen and respond accordingly
F1.1 on display panel, Over current	Motor worked to hard drawing extra current	Check that current is drawn when the machine is running. Reduce speed setting and current draw back into acceptable limits as out lined in the electrical diagnostics manual
	Short circuit between phases on output side of variable speed drives	Check wiring in plugs connected to motor cables or inside connection boxes on motors
	Input phase L1 missing at contactor	Check incoming wiring at power plugs and contactor
	Internal motor failure (rare)	Have motor tested. Replace if needed.
F1.3 on display panel - Earth fault	Short circuit between phases on output side of variable speed drives	Check wiring in plugs connected to motor cables and inside the terminal boxes on motors for loose earth wires
	Motor failure (rare)	Have motor tested. Replace if needed.
F1.9 on display panel - Under voltage	Insufficient voltage supply to machine	Check power supply and ensure correct voltage. Check power source at the wall supply.
	Power supply to variable speed drives has been turned off	Re-connect power to grinder. Check DC-link (screen V.1.18) in both the standby (550 +/-5) and run mode (500+/-5)
F1.11 on display panel - output phase supervision	Short circuit on output side of variable speed drives. No current in one of the power phases at the motor.	Check the wiring in the plugs connected to motor cables and inside terminal boxes on motors
F1.14 on display panel - unit over temperature	Variable speed drives are over temperature due to high temperature in the working environment or broken temperature sensor	Open door on the electrical cabinet to increase ventilation. If needed have the variable speed drives tested by a Husqvarna service agent.
F1.15 on display panel - motor stalled	Motor stall protection has tripped; the motor is working too hard and is drawing extra current	Check the current being drawn when the machine is running. Reduce motor speed settings via the potentiometers on the control panel near the handle bars and draw current back into acceptable working limits according to "Monitoring Menus Output Frequency"
	Mechanical jam between grinding discs beneath the grinding head	Tilt the machine back and inspect the grinding discs for foreign items. Rotate grinding discs by hand to see if jam exists. Ensure that all three grinding discs rotate together. If one grinding disc rotate individually a broken belt is causing an internal jam. Contact Husqvarna service agent.
	Mechanical jam on the planetary drive	Tilt the machine back and try to rotate the planetary head by hand, to see if jam exists. This should be firm but not impossible. Remove cover and clean away any debris.
F1.16 on display panel - motor over temperature	Motor worked to hard drawing extra current	Check the current being drawn when the machine is running. Reduce motor speed settings via the potentiometers on the control panel near the handle bars and draw current back into acceptable working limits according to "Monitoring Menus Output Frequency"

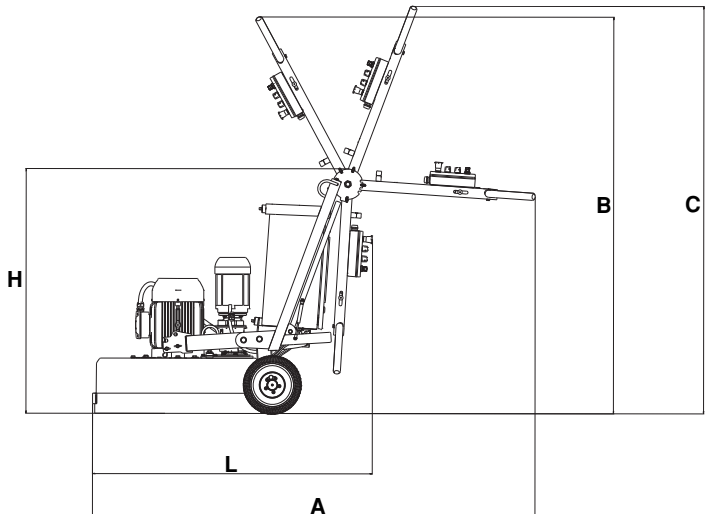
TECHNICAL DATA

Technical data

	PG 680 EU/AU	PG 680 JP	PG 820 EU/AU	PG 820 JP
Motor Power, kW/hp	12,5/17	12,5/17	12,5/17	12,5/17
Rated current, A	27	43	27	43
Rated voltage, V	380-440	200-220	380-440	200-220
Phases	3 phase	3 phase	3 phase	3 phase
Grinding width, mm/inch	680/27	680/27	820/32	820/32
Grinding disc, mm/inch	3x230/3x9	3x230/3x9	3x270/3x10,5	3x270/3x10,5
Grinding pressure total, kg/lbs	269/590	269/590	290/640	290/640
Grinding pressure per disc, kg/lbs	90/200	90/200	97/213	97/213
Power per grinding disc, kW/hp	4,15/5,7	4,15/5,7	4,15/5,7	4,15/5,7
Grinding disc speed, rpm	300-1200	300-1200	250-1100	250-1100
Planetary head speed, rpm	10-60	20-75	7,5-50	15-60
Direction of rotation	Independent FWD/REV direction control on both grinding discs and planetary head.			
Weight, kg/lb	400/880	395/870	455/1000	455/1000
Size, (LxWxH), mm/inch (Handle folded down)	1260x715x1260 / 50x28x50	1260x715x1260 / 50x28x50	1320x835x1260 / 52x33x50	1320x835x1260 / 52x33x50
Dimensions, A,B,C, mm/inch (Handle extended)	2102, 1969, 2022 / 83, 77.5, 79.5	2102, 1969, 2022 / 83, 77.5, 79.5	2223, 1969, 2022 / 87.5, 77.5, 79.5	2223, 1969, 2022 / 87.5, 77.5, 79.5



W



TECHNICAL DATA

	PG 680	PG 820
Noise emissions (see note 1)		
Sound power level, measured L_w (dB(A))	101	101
Sound levels (see note 2)		
Sound pressure level at the operators ear, L_p (dB(A))	82	82
Vibration levels (see note 3)		
Handle right, m/s^2	2,7	2,7
Handle left, m/s^2	4,8	4,8

Note 1: Noise emissions in the environment measured as sound power (L_{WA}) in conformity with EN 60335-1 and EN 60335-2-72.

Note 2: Noise pressure level according to EN 60335-1 and EN 60335-2-72. Reported data for equivalent sound pressure level for the machine has a typical statistical dispersion (standard deviation) of 1 dB (A).

Note 3: Vibration level according to EN 60335-1 and EN 60335-2-72. Reported data for equivalent vibration level has a typical statistical dispersion (standard deviation) of 1 m/s^2 .

EC Declaration of Conformity

(Applies to Europe only)

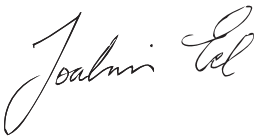
Husqvarna AB, SE-561 82 Huskvarna, Sweden, tel: +46-36-146500, declares under sole responsibility that the floor grinder **Husqvarna PG 820, PG 680** dating from 2016 serial numbers and onward (the year is clearly stated on the type plate, followed by the serial number), complies with the requirements of the COUNCIL'S DIRECTIVE:

- of May 17, 2006 "relating to machinery" **2006/42/EC**.
- of February 26, 2014 "relating to electromagnetic compatibility" **2014/30/EU**.
- of February 26, 2014 "relating to electrical equipment designed for use within certain voltage limits" **2014/35/EU**.
- of June 08, 2011 on the 'restriction of use of certain hazardous substances' **2011/65/EU**.

The following standards have been applied: EN 55014-1:2000+A2:2002, EN 55014-2:1997+A1:2001, EN 61000-3-2:2000+A2:2005, EN 61000-3-3:1995+A2:2005.

The supplied machine conforms to the example that underwent EC type examination.

Gothenburg 26 February 2016



Joakim Ed

Global R Director

Construction Equipment Husqvarna AB

(Authorized representative for Husqvarna AB and responsible for technical documentation.)

ACLARACIÓN DE LOS SÍMBOLOS

Símbolos en la máquina

¡ATENCIÓN! La máquina, si se utiliza de forma errónea o descuidada, puede ser una herramienta peligrosa que puede causar daños graves e incluso la muerte al usuario y a otras personas.

Lea detenidamente el manual de instrucciones y asegúrese de entender su contenido antes de utilizar la máquina.

Utilice el equipo de protección personal. Vea las instrucciones bajo el título "Equipo de protección personal".

¡ATENCIÓN! Al amolar se genera polvo que puede causar daños por inhalación. Utilice una máscara respiratoria homologada. Procure que haya buena ventilación.

Este producto cumple con la directiva CE vigente.

Etiquetado ecológico. El símbolo en el producto o en su envase indica que no se puede tratar este producto como desperdicio doméstico.

Haciendo que este producto sea manipulado adecuadamente, se ayuda a evitar consecuencias negativas potenciales para el medio ambiente y las personas, lo que puede ocurrir con la manipulación inadecuada como residuos del producto.

Para obtener información más detallada sobre el reciclado de este producto, contacte con la oficina municipal local, con el servicio de eliminación de desperdicios domésticos o con la tienda donde compró el producto.

Los demás símbolos/etiquetas que aparecen en la máquina corresponden a requisitos de homologación específicos en determinados mercados.



Explicación de los niveles de advertencia

Las advertencias se clasifican en tres niveles.

¡ATENCIÓN!



¡ATENCIÓN! Indica un riesgo de daños graves para el usuario o incluso muerte, o bien daños al entorno, si no se siguen las instrucciones del manual.

¡NOTA!



¡NOTA! Indica un riesgo de lesiones para el usuario o daños al entorno si no se siguen las instrucciones del manual.

AVISO

AVISO Indica un riesgo de daños en los materiales o en la máquina si no se siguen las instrucciones del manual.

Índice

ACLARACIÓN DE LOS SÍMBOLOS

Símbolos en la máquina	33
Explicación de los niveles de advertencia	33

ÍNDICE

Índice	34
--------------	----

PRESENTACIÓN

Apreciado cliente:	35
Diseño y funciones	35

PRESENTACIÓN

Elementos de la amoladora	37
---------------------------------	----

EQUIPO DE SEGURIDAD DE LA MÁQUINA

Generalidades	38
Botón de encendido	38
Interruptor de parada/funcionamiento	38
Parada de emergencia	39
Botón de reinicio	39

MONTAJE Y AJUSTES

Generalidades	40
Cambio/colocación de los diamantes	40
Altura de la empuñadura	41
Conecte la máquina.	41

GUÍA PARA EL AMOLADO

Cabezales desbastadores	42
Segmentos de diamante	42
Juegos completos y medios de diamantes	43
Determinación de la dureza del hormigón	44
Selección de diamantes	45

FUNCIONAMIENTO

Equipo de protección	46
Instrucciones generales de seguridad	46
Velocidad y dirección	48
Técnica básica de trabajo	51
Discos de velocidad variable/convertidores de frecuencia	51

ARRANQUE Y PARADA

Antes del arranque	54
Arranque	54
Parada	55

MANTENIMIENTO

Generalidades	56
Programa de mantenimiento	56
Lista de comprobación de mantenimiento	57
Limpieza	58
Inspección funcional	58
Fallos y localización de fallos	60

DATOS TÉCNICOS

Datos técnicos	64
Declaración CE de conformidad	65

PRESENTACIÓN

Apreciado cliente:

Gracias por elegir un producto Husqvarna.

Esperamos que su máquina le proporcione plena satisfacción y le sirva de ayuda por mucho tiempo en adelante. La adquisición de alguno de nuestros productos da acceso a asistencia profesional con reparaciones y servicio. Si la máquina no fue adquirida en un distribuidor oficial, preguntar en la tienda de compra la dirección del taller de servicio más cercano.

Este manual de instrucciones es un documento importante. Procure tenerlo siempre a mano en el lugar de trabajo. Siguiendo sus instrucciones (de uso, servicio, mantenimiento etcétera) puede alargar considerablemente la vida útil de la máquina e incrementar su valor de reventa. Si vende su máquina, entregue el manual de instrucciones al nuevo propietario.

Más de 300 años de innovación

La fundación de la empresa sueca Husqvarna AB data del año 1689, cuando el Rey Karl XI encargó la construcción de una fábrica para la fabricación de mosquetes. En ese momento se establecieron los cimientos de la experiencia tecnológica en la que se basan muchos de los productos punteros en el mundo en el sector de las armas de caza, bicicletas, motocicletas, electrodomésticos, máquinas de coser y productos para exteriores.

Husqvarna es líder internacional en productos motorizados para exteriores destinados a la silvicultura, el mantenimiento de parques y el cuidado del césped y del jardín, así como equipos de corte y herramientas de diamante para el sector de la construcción y la piedra.

Responsabilidad del propietario

El propietario / empresario es el responsable de asegurarse de que el usuario tiene los conocimientos necesarios para utilizar la máquina con seguridad. Los supervisores y los usuarios deben haber leído y entendido el manual de instrucciones. Deben tener conocimiento de lo siguiente:

- Las instrucciones de seguridad de la máquina.
- Las aplicaciones y las limitaciones de la máquina.
- El modo de uso y de mantenimiento de la máquina.

La utilización de esta máquina podría estar regulada por la legislación nacional vigente. Infórmese sobre la legislación vigente en el lugar donde trabaja antes de empezar a utilizar la máquina.

Los derechos que se reserva el fabricante.

Tras la publicación de este manual, Husqvarna podría publicar información adicional para el funcionamiento seguro de este producto. Es responsabilidad del propietario mantenerse informado de los métodos de funcionamiento más seguros.

Husqvarna AB trabaja constantemente para perfeccionar sus productos y se reserva, por lo tanto, el derecho a

introducir modificaciones en la construcción y el diseño sin previo aviso.

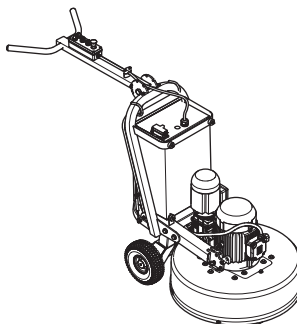
Para recibir información y atención como cliente, póngase en contacto con nosotros a través de nuestro sitio web: www.husqvarna.com

Diseño y funciones

El alto rendimiento, la fiabilidad, la tecnología innovadora, las soluciones técnicas avanzadas y el respeto medioambiental son los valores que caracterizan a los productos de Husqvarna. El usuario debe leer este manual detenidamente para garantizar un funcionamiento seguro del producto. Póngase en contacto con su concesionario o con Husqvarna si necesita más información.

A continuación se describen algunas de las características únicas de su producto.

PG 680/PG 820



Las máquinas para preparar superficies Husqvarna PG 680/820 se han diseñado para el desbastado en seco o en mojado de mármol, terrazo, granito y cemento. Sus aplicaciones abarcan desde un desbastado basto hasta un acabado completamente pulido. La máquina se ha diseñado para uso comercial, por ejemplo en hoteles, centros educativos, hospitales, fábricas, oficinas, etc.

- El cabezal planetario y los cabezales desbastadores funcionan con motores distintos, gracias a la tecnología conocida como Dual Drive Technology™. De este modo, el operador puede controlar totalmente la velocidad y el sentido de rotación del cabezal planetario y los cabezales satélites.
- Una desbastadora de tres cabezales transfiere mayor presión y potencia hacia los cabezales desbastadores que las máquinas de 4 cabezales. También funciona de forma más estable en superficies irregulares que las máquinas de 4 cabezales.
- Cabezal planetario accionado por engranajes con correa de primera calidad para transmisión de potencia a los cabezales desbastadores.
- Resistencia adecuada a entornos industriales.
- Bastidor de acero resistente.

PRESENTACIÓN

- Cabezales con placas de acero.
- Cubierta de aluminio resistente de una sola pieza.
- Ruedas sólidas de caucho duro.
- El sistema de estanqueidad de 5 vías protege los cojinetes y las piezas interiores del polvo del hormigón. De este modo, la máquina necesita menos mantenimiento y dura mucho más.
- El sistema Redi Lock™ permite cambiar herramientas de diamantes cómodamente.
- Diseño ergonómico del manillar y el bastidor.
- Controles intuitivos y fáciles de usar para el control de las funciones de la máquina.
- Costes bajos de mantenimiento y herramientas por metro/pie cuadrado.

Características adicionales

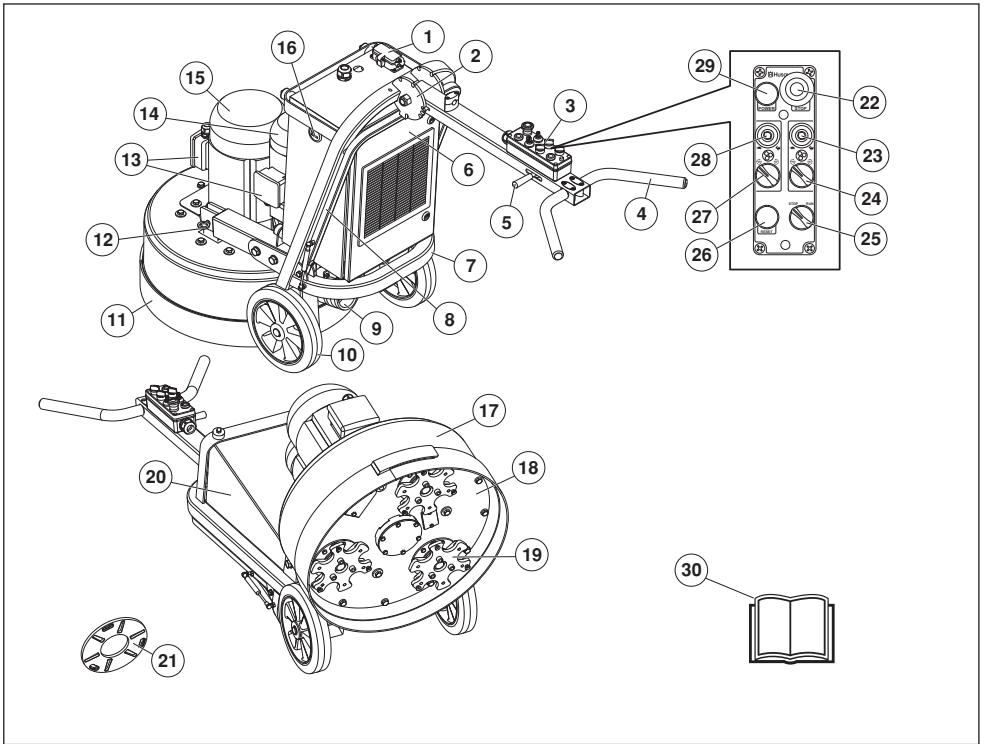
PG 820

- Versatilidad para desbastar de forma profesional.

PG 680

- Fácil instalación mediante aberturas estándar y compatibilidad con la mayoría de tareas.
- Líder en el mercado en relación potencia-peso.

PRESENTACIÓN



Elementos de la amoladora

- | | | | |
|----|---|----|--|
| 1 | Conexión del cable | 16 | Cuentahoras |
| 2 | Regulación de mango | 17 | Cubierta/Protector |
| 3 | Panel de control | 18 | Cabezal planetario |
| 4 | Mango | 19 | Cabezales desbastadores |
| 5 | Palanca de cierre, ajuste de la palanca | 20 | Armario eléctrico |
| 6 | Tapa de inspección | 21 | Disco portadiamantes |
| 7 | Chasis/Bastidor | 22 | Parada de emergencia |
| 8 | Estribo | 23 | Control de velocidad de los cabezales desbastadores |
| 9 | Conexión para la aspiradora | 24 | Control de dirección de los cabezales desbastadores |
| 10 | Ruedas de goma | 25 | Interruptor de parada/funcionamiento |
| 11 | Faldón antipolvo | 26 | Botón de reinicio |
| 12 | Pasador de seguridad | 27 | Control de dirección del giro del cabezal planetario |
| 13 | Caja terminal del motor | 28 | Control de dirección del giro del cabezal planetario |
| 14 | Motor de cabezales desbastadores | 29 | Botón de encendido |
| 15 | Motor del cabezal planetario | 30 | Manual de instrucciones |

EQUIPO DE SEGURIDAD DE LA MÁQUINA

Generalidades

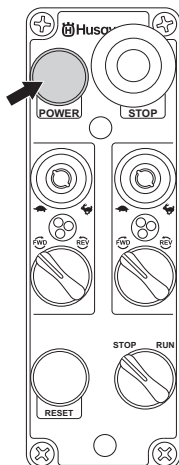


¡ATENCIÓN! Nunca utilice una máquina que tenga un equipo de seguridad defectuoso. Efectúe el control y mantenimiento del equipo de seguridad de la máquina como se describió en este capítulo. Si su máquina no pasa todos los controles, entréguela a un taller de servicio para su reparación.

En este capítulo se describen los componentes de seguridad de la máquina, su función y el modo de efectuar el control y el mantenimiento para garantizar un funcionamiento óptimo.

Botón de encendido

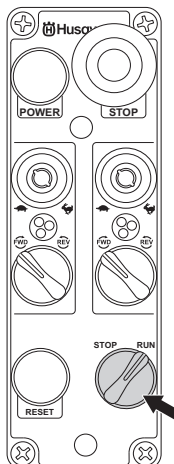
Este botón, cuando está pulsado, encenderá la unidad cuando el botón de PARADA DE EMERGENCIA se haya soltado.



Comprobación del botón de encendido

- Compruebe que el botón de parada de emergencia no está pulsado girándolo en el sentido de las agujas del reloj.
- Pulse el botón de encendido. Al hacerlo, se deberá escuchar un ligero golpeo que proviene de dentro del armario eléctrico. Esto indica que los contactores de línea se han acoplado, suministrando electricidad a los discos/convertidores de frecuencia.
- Pulse el botón de parada de emergencia.

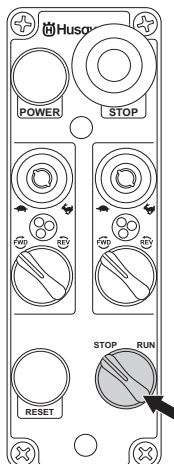
- Ponga el interruptor de parada/funcionamiento en el modo de 'FUNCIONAMIENTO'.



- No debe ponerse en marcha la máquina.

Interruptor de parada/funcionamiento

El interruptor de parada/funcionamiento se usa para encender y apagar los motores.



EQUIPO DE SEGURIDAD DE LA MÁQUINA

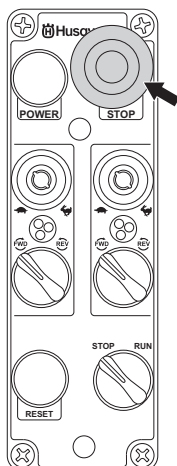
Comprobación del interruptor de parada/funcionamiento

Compruebe que el botón de parada de emergencia o de parada de la máquina no están presionados girándolos en el sentido de las agujas del reloj.

- Pulse el botón de encendido.
- Reduzca la presión entre el disco de amolado y el suelo empujando hacia abajo el manillar sin levantar la unidad de amolado del suelo.
- Conmute la máquina al modo de funcionamiento usando el interruptor STOP/RUN del panel de control. La máquina deberá arrancar suavemente y acelerar a la velocidad seleccionada después de un período de 5 segundos.
- Ponga el interruptor de parada/funcionamiento en el modo de 'PARADA'.

Parada de emergencia

El botón de emergencia se utiliza para apagar rápidamente el motor. La parada de emergencia de la máquina corta el suministro eléctrico.

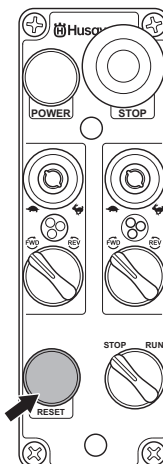


Comprobación de la parada de emergencia

- Pulse el botón de parada de emergencia. Cerciórese de que el motor se detiene.
- Desacople el botón de parada de emergencia (gire a la derecha).

Botón de reinicio

- El botón Reset sirve para borrar los fallos activos de las unidades del ordenador Vacon que pueden producirse durante el funcionamiento, tales como 'Corriente excesiva' o 'Corriente insuficiente'. Una vez reiniciada, la máquina volverá a funcionar con normalidad.



MONTAJE Y AJUSTES

Generalidades



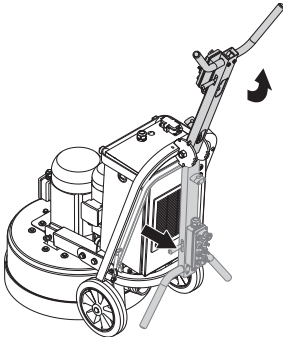
¡ATENCIÓN! Cuando apague la máquina, debe desconectar el cable de alimentación de la toma de corriente.

Cambio/colocación de los diamantes

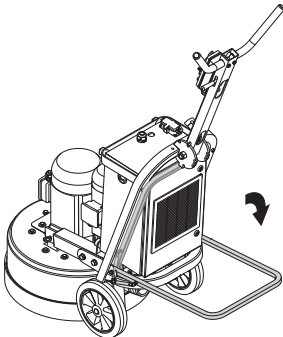
AVISO Cuando use la máquina, cada cabezal desbastador deberá tener siempre el mismo tipo de diamante y el mismo número de diamantes que los otros cabezales desbastadores. Cada cabezal desbastador deberá tener diamantes de la misma altura que los otros cabezales desbastadores.

Tenga a mano un par de guantes, ya que los diamantes se pueden poner muy calientes durante las aplicaciones de desbastado en seco.

- Coloque la empuñadura en posición derecha.

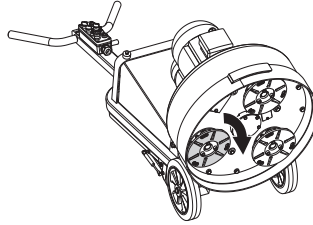


- Abra el estribo.



- Agarre el manillar colocando un pie en el estribo e incline la máquina hacia atrás. La máquina debe quedar apoyada en las ruedas y el chasis.
- Póngase los guantes.

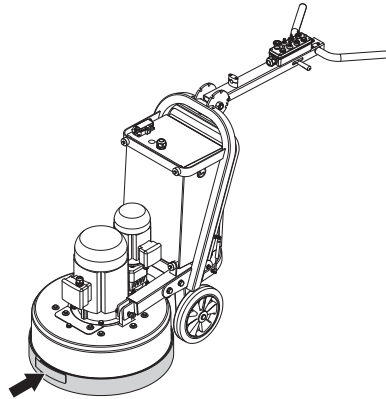
- Quite el disco desbastador girando ligeramente el disco y luego sacándolo (la dirección en la que podrán girar los discos dependerá de la dirección en la que estaba funcionando la máquina).



- Utilice un martillo para retirar los segmentos de diamante.
- Fije los nuevos segmentos de diamante al disco amoladora.

El montaje se hace en orden inverso al desmontaje.

Como los nuevos diamantes pueden tener una altura diferente a los usados previamente, reajuste el faldón para garantizar una buena hermeticidad con el suelo.



Ajuste del faldón de caucho

- Ajuste el faldón de goma de tal manera que se establezca una buena hermeticidad entre el suelo y el cabezal de la máquina. Asegúrese de que la unión del faldón está situada en la parte delantera de la máquina. El ajuste del faldón es fundamental para lograr una buena extracción del polvo y eliminar la posibilidad de que el polvo sea transportado por el aire cuando se desbaste en seco.

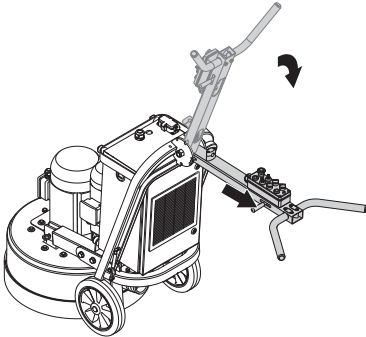
MONTAJE Y AJUSTES

Altura de la empuñadura

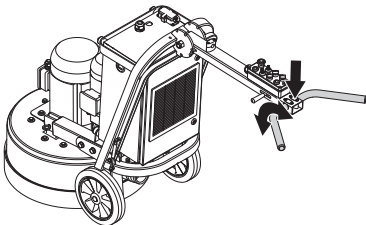


¡NOTA! Se recomienda que esta altura se ajuste lo más posible a la altura del hueso de la cadera del operador. Cuando la máquina esté funcionando, habrá una fuerza de desbastado hacia un lado que se sentirá a través de las barras de la empuñadura. Use la cadera para aguantar esta fuerza en vez de intentarla controlar con los brazos (esa posición será mucho más fácil para el operador cuando use la máquina durante períodos largos de tiempo).

- Coloque la empuñadura en la altura más cómoda para trabajar usando la palanca de ajuste.



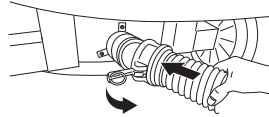
- Ajuste la altura de la parte superior del manillar.



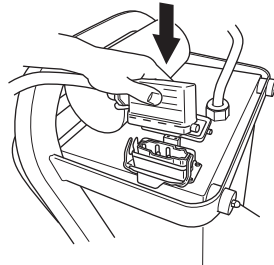
Conecte la máquina

Se recomienda vivamente usar el sistema de extracción de polvo Husqvarna DC 6000 para un control completo del polvo.

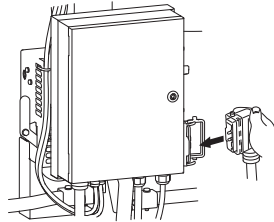
- Conecte la aspiradora a la máquina.



- Asegúrese de que el interruptor STOP/RUN se encuentra en Stop (gire a la izquierda).
- Conecte el enchufe de alimentación de la unidad DC 6000 directamente a la amoladora.



- Conecte el enchufe de la amoladora a la toma de corriente del extractor de polvo.

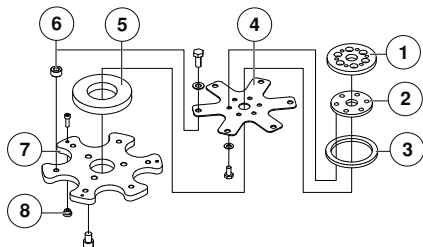


Cabezales desbastadores

Hay dos opciones diferentes de cabezales desbastadores:

- Cabezales de acero de muelles: diseñados más para acabados o aplicaciones de desbastado más suaves.
- Cabezales convencionales/de demolición: diseñados para un desbastado de preparación de carga pesada para el que se requiera un sistema extremadamente sólido. (accesorio adicional)

Cabezales de acero de muelles



- 1 Cubo de accionamiento
- 2 Espaciador
- 3 Anillo amortiguador
- 4 Muelle de acero de resorte
- 5 Muelle de silicona
- 6 Espaciadores
- 7 Placa del cabezal
- 8 Cierre del cabezal

El cabezal está formado por espaciadores, un disco de silicona y una placa de acero que absorben los golpes y dotan de flexibilidad al sistema.

Los cabezales con placas de acero incluyen espaciadores, un disco de silicona y una placa de acero. Todo este conjunto absorbe los golpes y dota de flexibilidad al sistema.

A diferencia de los cabezales de gran rendimiento, los cabezales con placas de acero se mueven de manera más flexible sin necesidad de piezas móviles gracias al diseño de las placas de acero.

Segmentos de diamante

A continuación, se ofrecen algunas directrices sobre las aplicaciones de los segmentos de diamante. Como sucede con cualquier directriz, podría haber excepciones.

Generalidades

Los abrasivos de diamantes suelen constar de dos componentes:

- Polvo de diamante (también conocido como cristales de diamante o arenilla). Al cambiar el grano del polvo de diamante o arenilla, podemos cambiar cómo van a ser de gruesos o finos los rasguños que se queden después del proceso de desbastado.

- Un aglutinante (metal o resina). El polvo de diamante se mezcla y se deja suspendido en un aglutinante de metal o resina. Cuando se deja suspendido en un aglutinante de metal, se llamará al producto final ligamento metálico o segmento de diamante sinterizado. Cuando esté suspendido en un aglutinante de resina, el producto final se denominará segmento de diamante de ligamento de resina o almohadilla. Al cambiar la dureza del aglutinante, podemos cambiar lo rápido o lento que se gastará el abrasivo de diamante.

Tamaño del polvo de diamante

Lo que sigue son reglas generales acerca de los segmentos de diamante en aplicaciones de desbastado. Como en todas las reglas generales, hay excepciones o casos en los que no es el caso.

El cambio de tamaño del polvo de diamante a una partícula/tamaño de polvo más pequeño afectará a las prestaciones de la herramienta de diamantes de las siguientes formas:

- Creará una pauta de rasguños más fina.
- Se aumentará la vida de la herramienta de diamantes.

Ocurrirá lo contrario si se cambia a una partícula/tamaño de polvo más grande.

Aglutinante

Al aumentar la dureza del ligamento:

- Creará una pauta de rasguños más fina.
- Se aumentará la vida de la herramienta de diamantes.
- Decrecerá la tasa de producción.

Ocurrirá lo contrario cuando se haga un ligamento metálico o de resina más suave).

Número de segmentos de diamante

Si se aumenta el número de segmentos debajo de la máquina:

- Se reducirá la presión en cada segmento de diamantes individual. – Se reducirá el ritmo de desgaste en los segmentos de diamantes.
- Se reducirá la carga sobre la máquina y provocará que la desbastadora absorba menos corriente.
- Creará una pauta de rasguños más suave (sobre todo en suelos blandos).

Ocurrirá lo contrario cuando se reduzca el número de segmentos debajo de la máquina.

Desbastado en mojado y seco

Cuando se usen segmentos de diamantes en mojado, se aplicarán los siguientes principios:

- Las tasas de producción serán mayores que con el desbastado en seco.
- Los segmentos de diamantes se gastarán más deprisa (debido a la presencia de lodo) y, por lo tanto, se podrán usar ligamentos más duros (respecto al desbastado en seco).

GUÍA PARA EL AMOLADO

- Las rasguños del polvo de diamante serán más profundos.

Cuando se usen segmentos de diamantes en seco, se aplicarán los siguientes principios:

- Las tasas de producción serán más lentas en materiales más duros que con el desbastado en mojado.
- Se necesitarán segmentos de ligamento más blandos para fomentar el desgaste del segmento (ya que no habrá lodo para ayudar a desgastar los segmentos de diamantes).
- Los rasguños del polvo de diamante no serán tan profundos como si se usaran también para desbastado en mojado.
- El segmento de diamantes generará más calor.

Resumen de principios del diamante

Los segmentos de diamantes necesitan desgastarse para lograr productividad. El desgaste del segmento de diamantes puede depender de los siguientes factores:

- Presión.
- Dureza del ligamento.
- Tamaño del polvo de diamante.
- Presencia de agua.
- Número de segmentos debajo de la máquina.
- Si se añade un abrasivo adicional (p.ej. arena, carburo de silicona) en el suelo se aumentará el desgaste.

En general, cuanto más deprisa se desgaste un segmento de diamantes, mayor será la productividad. Al variar los citados factores, también se podrán hacer cambios para influir sobre lo siguiente:

- Pauta de rasguños.
- Absorción de corriente de la máquina.
- Grado de allanado del suelo (véase sección siguiente).
- Facilidad de manejo.

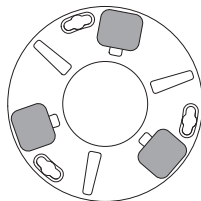
Juegos completos y medios de diamantes

Generalidades

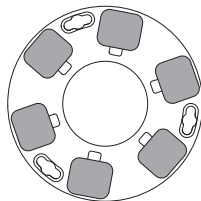
Básicamente, hay dos tipos de configuraciones de diamantes que se pueden usar cuando se utilice la desbastadora:

La manera en la que los segmentos de diamantes se configuran en los cabezales desbastadores de la máquina también influirá enormemente en el rendimiento de ésta, los niveles de productividad y también en la calidad del acabado del suelo.

- Medio juego de diamantes – cuando los diamantes se colocan en tres posiciones alternativas de los discos de fijación de diamantes.



- Juego completo de diamantes – cuando los diamantes se colocan en cada una de las seis posiciones de los discos de fijación de diamantes.



Al cambiar la manera de configurar los diamantes en los discos de fijación de diamantes, un operador puede influir significativamente en las prestaciones de la máquina y, por lo tanto, en el producto acabado.

Medio juego de diamantes

Cuando los diamantes se configuran como medio juego, tienden a seguir la superficie del suelo. Es parecido a un trípode para una cámara, que se puede colocar en una superficie irregular y puede encontrar un apoyo estable.

La configuración de medio juego de diamantes sólo se deberá usar cuando no se requiera un acabado de suelo plano.

Juego completo de diamantes

Cuando los diamantes se configuran como juego completo, no tienden a seguir la superficie del suelo. Si el suelo tiene ondulaciones, la máquina desbastará las partes altas, pero no los puntos bajos.

La configuración de juego completo de diamantes sólo se deberá usar cuando se desee un acabado de suelo plano.

La siguiente tabla da algunos ejemplos de posibles aplicaciones para dos disposiciones:

GUÍA PARA EL AMOLADO

Campo de aplicación	Juego completo	Medio juego
Extracción de adhesivo de baldosa de cerámica	X	
Extracción de pegamento de moqueta		X
Extracción de pintura epoxi	X	
Extracción de adhesivo vinílico		X
Hormigón dañado por la lluvia	X	
Alisado conglomerado expuesto	X	
Eliminación de juntas entre losas pegadas con cemento.	X	
Pulido de superficie de suelos de hormigón		X
Desbastado para exponer conglomerado en aplicación de pulido de hormigón	X	
Allanamiento de ondulaciones en suelos de hormigón	X	
Repulido de suelos que se han rectificad antes		X

Los revestimientos/contaminantes de la superficie (p.ej. revestimientos epoxi, adhesivos de baldosas de cerámica, nivelación de compuestos/capas de mortero) tendrán a menudo un mayor peso en la selección del diamante que la resistencia a la compresión del hormigón.

Por regla general, cuando se desbaste un bloque de hormigón por primera vez y no esté seguro de su dureza, empiece siempre con diamantes de ligamento más duro debajo de la máquina. Esto garantizará la menor cantidad de desgaste de los segmentos de diamantes. Si un segmento de diamantes duros no es adecuado para la aplicación, todo lo que habrá supuesto habrá sido un poco de tiempo, sin desgastar los diamantes.

Si se hace de la forma contraria (es decir, se usa un segmento blando para empezar) y el hormigón es blando o posee una superficie abrasiva o un contaminante de superficie, es muy posible que desgaste una cantidad considerable de diamante en un período muy corto de tiempo.

Determinación de la dureza del hormigón

Todo hormigón se mide por su resistencia a la compresión y, dependiendo de qué zona del mundo sea cada uno, se medirá por diferentes índices de resistencia a la compresión (p.ej. PSi y MPa). En general, cuanto mayor sea el grado de resistencia a la compresión, más duro será el hormigón y, por lo tanto, más difícil será de desbastar.

Sin embargo, existen otros factores además de la fuerza de compresión que determinan la dureza de un suelo y que por lo tanto, afectan a la elección de los discos de diamante. Desde el punto de vista del amolado los factores como la capa superior (5 mm), el tratamiento y el estado de la superficie del hormigón normalmente tienen un mayor impacto en la elección del segmento de diamante que la fuerza de compresión.

Factores de la superficie a considerar al seleccionar un diamante

En general, si una superficie de hormigón es muy suave (es decir, probablemente se haya allanado/pulido enormemente), el hormigón se comportará como si tuviera una elevada resistencia a la compresión y, por tanto, necesita un segmento de ligamento blando.

Conforme a ello, si una superficie es basta/agresiva (p.ej. dañada por la lluvia, rota por disparos, escarifi - cada, conglomerado expuesto, etc.), el hormigón se comportará como si tuviera una baja resistencia a la compresión y, por tanto, necesita un segmento de ligamento duro.

GUÍA PARA EL AMOLADO

Selección de diamantes

Las siguientes sugerencias se refieren a los principios básicos para la selección de diamantes para distintas aplicaciones.

Campo de aplicación	Ligamento metálico	Tamaño de polvo	Juego completo	Medio juego	Simples/dobles/triples
Allanamiento suelo – Hormigón duro	Blando	16 - 30	X		S
Allanamiento suelo – Hormigón medio	Medio	16 - 30	X		S
Allanamiento suelo – Hormigón blando	Duro	16 - 30	X		D o T
Extracción de adhesivo de baldosa de cerámica	Duro	16 - 30	X		S o D
Extracción de pegamento de moqueta o vinilo – Hormigón duro	Blando	16 - 30		X	S o D
Extracción de pegamento de moqueta o vinilo – Hormigón medio	Medio	PCD - 16		X	D o T
Extracción de pegamento de moqueta o vinilo – Hormigón blando	Duro	PCD - 16		X	D o T
Extracción de pintura epoxi – Hormigón duro	Blando	16 - 30	X	X	S
Extracción de pintura epoxi – Hormigón medio	Medio	16 - 30	X		S
Extracción de pintura epoxi – Hormigón blando	Duro	16 - 30	X		D o T
Hormigón dañado por la lluvia	Duro	16 - 30	X		D o T
Alisado conglomerado expuesto	Duro	16 - 30	X		S o D
Extracción de irregularidades en baldosas de terrazo / piedra	Blando	30 - 60	X		S
Pulido de superficie de suelos de hormigón – Hormigón duro	Blando	60		X	S o D
Pulido de superficie de suelos de hormigón – Hormigón medio	Medio	60		X	S o D
Pulido de superficie de suelos de hormigón – Hormigón blando	Duro	60		X	D
Desbastado de conglomerado expuesto en hormigón – Hormigón duro	Blando	16 - 30	X		S
Desbastado de conglomerado expuesto en hormigón – Hormigón medio	Medio	16 - 30	X		S
Desbastado de conglomerado expuesto en hormigón – Hormigón blando	Duro	16 - 30	X		D o T
Allanamiento de ondulación en suelos de hormigón – Hormigón duro	Blando	16 - 30	X		S
Allanamiento de ondulación en suelos de hormigón – Hormigón medio	Medio	16 - 30	X		S
Allanamiento de ondulación en suelos de hormigón – Hormigón blando	Duro	16 - 30	X		D

FUNCIONAMIENTO

Equipo de protección

Generalidades

No use nunca una máquina si no tiene posibilidad de pedir auxilio si se produce un accidente.

Equipo de protección personal

Para trabajar con la máquina debe utilizarse un equipo de protección personal homologado. El equipo de protección personal no elimina el riesgo de lesiones, pero reduce su efecto en caso de accidente. Pida a su distribuidor que le asesore en la elección del equipo.



¡ATENCIÓN! El uso de productos que cortan, pulen, taladran, alisan o forman materiales puede generar polvo y vapores que pueden contener sustancias químicas dañinas. Averiguar la composición del material con que se trabaja y usar una máscara respiratoria adecuada.



¡ATENCIÓN! La exposición prolongada al ruido puede causar daños crónicos en el oído. Por consiguiente, use siempre protectores auriculares homologados. Cuando use protección auditiva preste siempre atención a las señales o llamados de advertencia. Sáquese siempre la protección auditiva inmediatamente después de parar el motor.



¡ATENCIÓN! Existe siempre riesgo de accidentes por apriete al trabajar con aparatos con piezas móviles. Usar guantes protectores para evitar lesiones.

Utilice siempre:

- Casco protector
- Protectores auriculares
- Gafas protectoras o visor
- Máscara respiratoria
- Guantes resistentes de agarre seguro.
- Prendas de vestir ceñidas, resistentes y cómodas que permitan una libertad de movimientos total.
- Botas con puntera de acero y suela antideslizante.

Tener en cuenta que las ropas, el pelo largo y las joyas pueden atascarse en piezas móviles.

Otros equipos de protección



¡ATENCIÓN! Mientras trabaja con la máquina, pueden producirse chispas que podrían ocasionar un incendio. Tenga siempre a mano herramientas para la extinción de incendios.

- Herramientas para la extinción de incendios
- Tenga siempre a mano el equipo de primeros auxilios.

Instrucciones generales de seguridad

Este apartado trata las normas de seguridad básicas para trabajar con el dispositivo. Esta información no sustituye en ningún caso los conocimientos y la experiencia de un profesional.

- Lea detenidamente el manual de instrucciones y asegúrese de entender su contenido antes de utilizar la máquina. **Conserve todas las advertencias e instrucciones para su consulta.**
- Tenga en cuenta que es usted, como usuario, el responsable de no exponer a riesgos o accidentes a las personas y a su propiedad.
- La máquina debe mantenerse limpia. Los letreros y las pegatinas deben ser legibles en su totalidad.

Emplee siempre el sentido común

Es imposible abarcar todas las situaciones en las que puede encontrarse. Utilice siempre el equipo con cuidado y sentido común. Si se encuentra en alguna situación que le haga sentirse inseguro, deténgase y consulte con un experto. Consulte a su distribuidor, al taller de servicio técnico o a un usuario experimentado. No emplee la máquina en aplicaciones para las que no se considere plenamente cualificado.



¡ATENCIÓN! La máquina, si se utiliza de forma errónea o descuidada, puede ser una herramienta peligrosa que puede causar daños graves e incluso la muerte al usuario y a otras personas.

No permita bajo ningún concepto el empleo o mantenimiento de la máquina por los niños u otras personas no instruidas en el manejo de la misma.

Los niños no deben jugar con el aparato.

Nunca deje que terceros utilicen la máquina sin asegurarse primero de que hayan entendido el contenido de este manual de instrucciones. Nunca utilice la máquina si está cansado, si ha ingerido alcohol o si toma medicamentos que puedan afectar la vista, su capacidad de discernimiento o el control del cuerpo.

FUNCIONAMIENTO



¡ATENCIÓN! Las modificaciones y/o el uso de accesorios no autorizados comportan riesgo de daños personales graves y peligro de muerte para el usuario y otras personas. Bajo ninguna circunstancia debe modificarse la configuración original de la máquina sin autorización del fabricante.

No modifique nunca esta máquina de forma que se desvíe de la versión original, y no la utilice si parece haber sido modificada por otras personas.

No utilice nunca una máquina defectuosa. Siga las instrucciones de mantenimiento, control y servicio de este manual. Algunas medidas de mantenimiento y servicio deben ser efectuadas por especialistas formados y cualificados. Vea las instrucciones del capítulo 'Mantenimiento'.

Utilizar siempre recambios originales.



¡ATENCIÓN! No permita nunca que los niños utilicen la máquina ni permanezcan cerca de ella.



¡ATENCIÓN! La sobreexposición a las vibraciones puede provocar problemas circulatorios y dolencias de carácter nervioso, especialmente en personas con patologías circulatorias. Acuda a un médico si nota síntomas corporales que puedan relacionarse con la sobreexposición a las vibraciones. Son ejemplos de tales síntomas la pérdida de sensibilidad, el 'cosquilleo', las 'puzadas', el dolor, la pérdida o reducción de la fuerza normal o los cambios en el color y la superficie de la piel. Estos síntomas se presentan normalmente en dedos, manos y muñecas. Los síntomas pueden aumentar en temperaturas frías.

Seguridad en el área de trabajo

- Compruebe el entorno para asegurarse de que nada pueda influir en su control de la máquina.
- No usar en condiciones climáticas desfavorables. Por ejemplo, niebla densa, lluvia, viento fuerte, frío intenso, etc. Trabajar con mal tiempo es cansador y puede crear condiciones peligrosas, por ejemplo suelo resbaladizo.
- Antes de comenzar a trabajar con la máquina, controle siempre que el lugar esté libre y que los pies estén bien afirmados al terreno.
- Controle que la zona de trabajo esté bien iluminada para lograr un entorno seguro.

- La máquina no se usará en áreas donde haya posibilidad de incendios o explosiones.

Seguridad eléctrica



¡ATENCIÓN! Existe siempre riesgo de sacudidas eléctricas al usar máquinas eléctricas. No usar la máquina en condiciones climáticas desfavorables y evitar el contacto del cuerpo con pararrayos y objetos metálicos. Seguir siempre las instrucciones del manual para evitar daños.

Nunca conecte la máquina a una toma de corriente si el enchufe o el cable están dañados.

- Compruebe que la tensión de red concuerda con la que se indica en la placa de características de la máquina.
- El control y/o mantenimiento de la máquina debe hacerse con el motor parado y el enchufe desenchufado.
- Apague siempre la máquina antes de desenchufarla.
- Desenchufar siempre el contacto para paradas prolongadas del trabajo.
- No arrastre la máquina nunca por el cordón y no quite nunca el enchufe tirando del cordón. Sujete el enchufe al desconectar el cable.
- Si se daña un cable, no utilice la máquina. Llévela a reparar a un taller de servicio oficial.
- La máquina no debe conducirse a profundidades cuyo nivel de agua alcance el equipamiento de la máquina. El equipamiento podría dañarse y la máquina puede tener corriente, lo que provocará lesiones personales.

Instrucciones de conexión a tierra



¡ATENCIÓN! Si la conexión no es correcta, existe el riesgo de sacudida eléctrica. Póngase en contacto con un electricista cualificado para comprobar que la conexión a tierra es correcta.

No modifique el enchufe. Si no se ajusta a la toma de corriente, solicite a un electricista cualificado que instale una toma adecuada. Compruebe que cumple la normativa local.

Si tiene dudas sobre las instrucciones de conexión a tierra, póngase en contacto con un electricista.

- El aparato viene de serie con un cable y un enchufe de conexión a tierra y siempre debe conectarse a tierra. De este modo, en caso de anomalías de funcionamiento, se reduce el riesgo de sacudida eléctrica.

FUNCIONAMIENTO

- No está permitido el uso de conectores.

Cables alargadores y empalmes

- La marca del cable alargador debe ser igual o superior al valor que se indica en la placa de características de la máquina.
- Utilice cables alargadores de conexión a tierra.
- **Cuando trabaje con una herramienta eléctrica en exteriores, utilice un alargador indicado para este uso.** Utilizar un cable adecuado para su uso en exteriores reduce el riesgo de descarga eléctrica.
- La conexión con el cable alargador debe estar seca y separada del suelo.
- Manténgalo alejado de fuentes de calor, aceite, aristas vivas o piezas móviles. Los cables dañados o enredados incrementan el riesgo de descarga eléctrica.
- Compruebe que los cables están intactos y en buen estado. Si se daña un cable, no utilice la máquina. Llévela a reparar a un taller de servicio oficial.
- Un cable de alargue no debe usarse enrollado porque hay riesgo de sobrecalentamiento.
- Al emplear la máquina, hágalo con el cable detrás suyo para evitar dañarlo.

Seguridad en el trabajo

- Mantenga bajo vigilancia la máquina siempre que el motor esté en marcha.
- Al trabajar con las máquinas, procure siempre que haya alguien cerca, que pueda prestar ayuda en caso de accidente.
- Mantener todas las piezas en perfecto estado y comprobar que todos los elementos de fijación estén bien apretados.
- La máquina sólo se deberá arrancar cuando los cabezales desbastadores estén descansando en el suelo, a no ser que se esté efectuando un procedimiento de prueba tal y como se indica en este manual.
- La máquina no deberá ponerse en marcha sin el faldón de goma para el polvo. Es fundamental que se establezca una buena hermeticidad entre la máquina y el suelo, sobre todo cuando se trabaje en una aplicación de desbastado en seco.

Transporte y almacenamiento

- Extreme la precaución cuando mueva la máquina a mano o en un plano inclinado. Incluso la pendiente más suave puede provocar fuerzas/impulsos que hagan que sea imposible frenar manualmente la máquina.
- La máquina no se deberá levantar por las empuñaduras, el motor, el chasis y otras piezas. La mejor manera de transportar la máquina será en una paleta/patín al que se haya fijado firmemente la máquina.

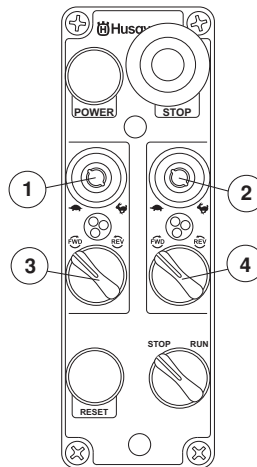
- No se deberá intentar levantar la máquina en ningún momento sin medios mecánicos como un cabrestante o un elevador de horquilla.
- No intente deslizar los dientes/horquillas de un elevador de horquilla debajo de los cabezales desbastadores, a no ser que esté sobre una paleta/patín. Si no lo hace, podrá provocar daños irreparables en los cabezales desbastadores de la máquina y en las piezas internas.
- Sujete bien el equipo durante el transporte para evitar daños y accidentes.
- Transporte la máquina cubierta siempre que sea posible para reducir la exposición a la intemperie, especialmente a la lluvia y la nieve.
- Se recomienda que la máquina se transporte con un juego de diamantes sujeto en todo momento para garantizar una protección del sistema de bloqueo de las placas de diamantes.
- Guarde el equipo en un lugar seguro fuera del alcance de los niños y las personas no autorizadas.
- La máquina deberá guardarse en un lugar seco, cuando no esté en uso.

Velocidad y dirección

Generalidades

El cabezal planetario y los cabezales desbastadores funcionan con motores distintos, gracias a la tecnología conocida como Dual Drive Technology™. De este modo, el operador puede controlar totalmente la velocidad y el sentido de rotación del cabezal planetario y los cabezales satélites.

La velocidad y el sentido de rotación se ajustan mediante los controles del panel de control.



- 1 Control de dirección del giro del cabezal planetario
- 2 Control de velocidad de los cabezales desbastadores
- 3 Control de dirección del giro del cabezal planetario
- 4 Control de dirección de los cabezales desbastadores

Velocidad

Al arrancar la máquina por primera para realizar cualquier tarea, se aconseja que, en un principio, el ajuste de la velocidad no sea superior a 7.

Cuando el operador esté cómodo con la aplicación, se podrá aumentar la velocidad.

Dirección de giro

Visto desde debajo de la máquina, el sentido de rotación es el siguiente:

- REV - A la derecha.
- FWD - A la izquierda.

La máquina se impulsará en un sentido determinado durante el funcionamiento. La dirección de arrastre estará determinada por la dirección de giro del cabezal planetario. El cabezal de la máquina tirará hacia la derecha (y, por lo tanto, se sentirá en la cadera derecha del operador) cuando el cabezal planetario se ponga en dirección REVERSE (izquierda).

Este arrastre lateral podrá ser muy útil cuando se desbaste, en especial junto a una pared. Coloque la máquina de tal manera que tire hacia la pared y entonces controle la máquina de manera que pueda tocar justo la pared. Esto garantizará un desbastado pegado a la pared o el objeto.

AVISO El cabezal planetario y los cabezales desbastadores se han fijado para que giren en la misma dirección (ya sea todos a la derecha o todos a la izquierda).

Cuando tanto el cabezal planetario como los cabezales de los discos desbastadores funcionan en el mismo sentido, se consigue mayor potencia. El resultado final es una mayor productividad que cuando los discos se han configurado en direcciones opuestas. Es aquí donde también podrá disfrutar de las ventajas de la Dual Drive Technology™.

Para mejorar la eficacia cortadora de los diamantes, cambie de dirección regularmente. Esto hará que trabajen los dos lados de los cristales de los diamantes, manteniendo los abrasivos lo más afilados posible al crear una exposición máxima del cristal del diamante.

FUNCIONAMIENTO

Ajuste de velocidad y dirección

El ajuste de la velocidad y la dirección suele ser una cuestión personal. Se anima a los operadores a que experimenten para encontrar qué ajustes se adaptan mejor a las aplicaciones dadas. La siguiente tabla indica sugerencias de ajustes para distintas aplicaciones.

Campo de aplicación	Control de dirección del giro del cabezal planetario	Control de dirección del giro del cabezal planetario	Control de dirección de los cabezales desbastadores	Control de velocidad de los cabezales desbastadores
Extracción de adhesivo de baldosa de cerámica	FWD	6-7	FWD	8-10
Extracción de pegamento de moqueta	FWD	5-7	FWD	8-10
Extracción de pintura epoxi	FWD	5-10	FWD	8-10
Hormigón dañado por la lluvia	FWD	7-10	FWD	8-10
Alisado conglomerado expuesto	FWD	7-8	FWD	8-10
Extracción de irregularidades en baldosas de terrazo / piedra	FWD	5-7	FWD	8-10
Pulido de hormigón con herramientas con ligazón de plástico	FWD	10	FWD	8-10
Rascador™ PIRANHA™	REW	3-5	REW	3-5
Procedimiento de reenfochado durante proceso™ HiPERFLOOR	FWD	8-10	FWD	3-5

AVISO En la tabla de arriba, FWD y FWD se encuentran juntos para indicar ajustes de dirección en la misma dirección (es decir, también puede ser REV / REV). La única aplicación en la que los ajustes de dirección deben ir en las mismas direcciones y también en una dirección específica es cuando se usan los rascadores PIRANHA™. En esta aplicación concreta, el ajuste deberá ser en la dirección REV / REV.

FUNCIONAMIENTO

Técnica básica de trabajo

Generalidades

Las máquinas para preparar superficies Husqvarna PG 680/820 se han diseñado para el desbastado en seco o en mojado de mármol, terrazo, granito y cemento. Sus aplicaciones abarcan desde un desbastado basto hasta un acabado completamente pulido.

Se recomienda vivamente usar el sistema de extracción de polvo Husqvarna DC 6000 para un control completo del polvo.

Discos de velocidad variable/ convertidores de frecuencia



**¡ATENCIÓN! El variador de velocidad/
convertidor de frecuencia solo puede
utilizarse personal autorizado. Riesgo de
descarga eléctrica.**

Cada Husqvarna PG 680 & 820 está equipada con 2 discos de velocidad variable o convertidores de frecuencia. Esta unidad está incorporada en la máquina por las siguientes razones:

Funcionalidad

- Manipula la corriente de entrada para permitir aumentar/reducir la velocidad y el cambio de dirección.
- Regula la alimentación de corriente y voltaje a los motores para garantizar que éstos funcionen a los niveles óptimos (p.ej. impulso del par).

Protección

- Analiza la corriente entrante para garantizar su idoneidad para la máquina y la realización de la aplicación.
- Controla la corriente requerida por los motores para garantizar que éstos están funcionando dentro de los límites operativos seguros (para evitar daños al motor).
- Analiza la carga en la máquina para garantizar que la desbastadora no se está sobrecargando, con lo que ofrece protección a la correa, los rodamientos y otros componentes internos.
- Protege a los motores de alimentación de una corriente errónea (p.ej. bifásica).

Diagnóstico

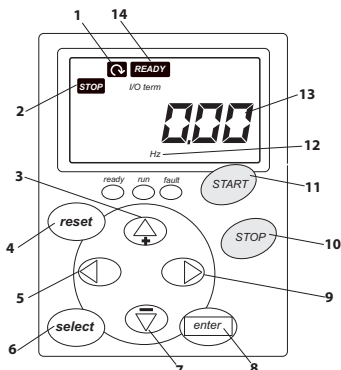
- Identifica los fallos eléctricos con la máquina y registra el código de fallo.
- Tiene menús de monitorización que ayudan a aislar la causa de los fallos eléctricos potenciales.

Al examinar los menús, el operador podrá evaluar cómo está trabajando la máquina. Aunque no es fundamental que un operador sepa perfectamente cada característica

de los discos de velocidad variable o convertidores de frecuencia, le resultará útil estar familiarizado con los códigos de fallo, así como con algunos menús de monitorización.

Teclado/pantalla

Cada disco de velocidad variable o convertidor de frecuencia tiene un teclado que aparecerá como se indica en la siguiente imagen cuando la máquina esté conectada a la fuente de alimentación.



- 1 Dirección de funcionamiento (fwd o rev)
- 2 Indica si la unidad está parada o en funcionamiento
- 3 Tecla arriba
- 4 Botón de reinicio
- 5 Tecla izquierda
- 6 Botón de selección
- 7 Tecla abajo
- 8 Botón de confirmación
- 9 Tecla derecha
- 10 Parada
- 11 Arranque
- 12 Modo de salida (hercios en este ejemplo)
- 13 Valor de salida
- 14 Indicador de que el sistema está listo

FUNCIONAMIENTO

Pantalla del monitor	Información proporcionada
OUTPUT FREQUENCY	El motor de frecuencia está funcionando cuando la máquina está funcionando.
REF. FREQUENCY	El cuadrante de control de la velocidad de frecuencia está preparado.
MOTOR SPEED	Velocidad del motor cuando la máquina está funcionando.
MOTOR CURRENT	Absorción de corriente del motor cuando la máquina está funcionando.
MOTOR TORQUE	Porcentaje del par del motor cuando la máquina está funcionando.
MOTOR POWER	Porcentaje de potencia del motor cuando la máquina está funcionando.
MOTOR VOLTAGE	Porcentaje de voltaje del motor cuando la máquina está funcionando.
DC LINK VOLTAGE	Indica la calidad de la alimentación de corriente.

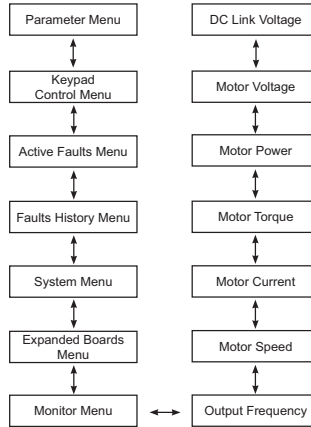
El árbol de menú ilustrado en esta página indica las opciones de menú importantes que proporcionan información útil para fines de análisis y diagnóstico cuando se está usando la máquina.

Como se puede ver en el árbol de menús de la derecha, cuando la máquina se enciende, los discos de velocidad variable o convertidores de frecuencia están configurados para mostrar la Output Frequency (frecuencia de salida) al motor (se registrará un valor cero cuando la máquina esté en modo en espera).

La página de Output Frequency (frecuencia de salida) también recae dentro del Monitor Menu (menú de monitorización).

En la columna izquierda se puede ver que los dos menús esenciales para el operador son el Monitor Menu (menú de monitorización) y el Fault History menu (menú de historial de fallos).

Se podrá navegar por el árbol de menús usando las teclas arriba, abajo, izquierda y derecha del teclado (véase página anterior).



Menús e información que proporcionan

Los siguientes puntos/pantallas de menú del disco de velocidad variable/convertidores de frecuencia proporcionan la siguiente información útil al operador.

OUTPUT FREQUENCY (Monitor Menu)

Esta pantalla indica al operador que la frecuencia a la que está funcionando el motor cuando la máquina está en marcha. El valor de la frecuencia de salida deberá ser constante cuando la máquina esté en marcha. Si hay alguna fluctuación en la frecuencia de salida cuando la máquina está en marcha, generalmente indica que el motor está funcionando al límite de su límite de corriente programada o cerca del mismo. Los límites de corriente (predeterminados y fijados por Husqvarna Constructions Products) son los siguientes:

- Motor grande (la información del mismo se encuentra en el disco de velocidad variable grande / convertidor de frecuencia) – 25 amps.
- Motor pequeño (la información del mismo se encuentra en el disco de velocidad variable pequeño / convertidor de frecuencia) – 5 amps.

Si hay fluctuación en la frecuencia de salida cuando la máquina está en marcha, se recomienda comprobar también la corriente del motor. Esto se puede saber pulsando la flecha arriba del teclado 3 veces. Para un funcionamiento sin problemas en cuanto a la corriente, lo mejor es mantener la corriente de salida en torno a 21 amps (para el motor grande). La absorción de corriente del motor se puede reducir aminorando la velocidad del motor usando el cuadrante de velocidad del panel de control cerca de las barras de la empuñadura.

En términos generales, la mayoría de los problemas de sobrecorriente se asocian con el motor grande (y, por lo tanto, se monitorizan en el disco de velocidad variable grande / convertidor de frecuencia). Mantenga la

FUNCIONAMIENTO

absorción de corriente del motor pequeño por debajo de 3,5 amps para un funcionamiento adecuado.

MOTOR CURRENT (Monitor Menu)

Esta pantalla indica la absorción de corriente del motor correspondiente (es decir, el disco de velocidad variable grande/inversor de frecuencia monitoriza el funcionamiento del motor grande, el disco de velocidad variable pequeño/inversor de frecuencia monitoriza el funcionamiento del motor pequeño) cuando el motor está en funcionamiento.

Véanse los comentarios bajo OUTPUT FREQUENCY relativos a la corriente del motor.

DC LINK VOLTAGE (Monitor Menu)

Esta pantalla indica la calidad de la alimentación de corriente a la máquina. Leerá valores más altos cuando la máquina esté en espera y valores más bajos cuando la máquina esté en marcha.

FAULT HISTORY

El historial de fallos almacena las últimas series de fallos experimentados por el disco de velocidad variable/convertidor de frecuencia. Si hay una pauta de fallo habitual experimentada por la máquina, la información se podrá obtener en el menú de historial de fallos. Para más información sobre fallos, consulte la localización de fallos.

ARRANQUE Y PARADA

Antes del arranque



¡ATENCIÓN! Lea detenidamente el manual de instrucciones y asegúrese de entender su contenido antes de utilizar la máquina.

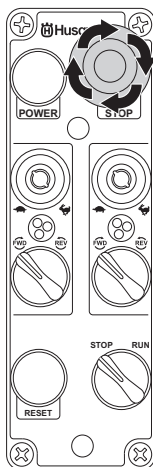
Utilice el equipo de protección personal. Vea las instrucciones bajo el título "Equipo de protección personal".

Asegúrese de que no haya personas desautorizadas en la zona de trabajo, de lo contrario se corre el riesgo de ocasionar graves daños personales.

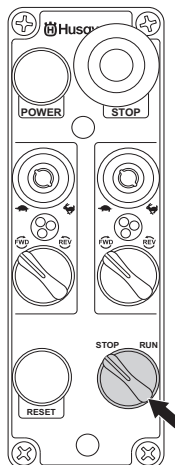
- Controle que la máquina esté correctamente montada y que no esté dañada. Consulte las instrucciones bajo el título «Montaje y ajustes».
- Realice el mantenimiento diario. Consulte las instrucciones bajo el título «Mantenimiento».

Arranque

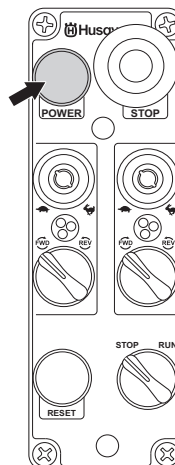
- Compruebe que el botón de parada de emergencia no está pulsado girándolo en el sentido de las agujas del reloj.



- Compruebe que el interruptor de parada/funcionamiento está en el modo de PARADA.



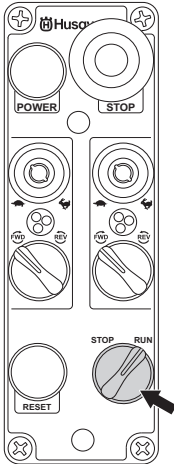
- Pulse el botón de encendido. Al hacerlo, se deberá escuchar un ligero golpeteo que proviene de dentro del armario eléctrico. Esto indica que los contactores de línea se han acoplado, suministrando electricidad a los discos/convertidores de frecuencia.



- Reduzca la presión entre el disco de amolado y el suelo empujando hacia abajo el manillar sin levantar la unidad de amolado del suelo.
- Conmute la máquina al modo de funcionamiento usando el interruptor STOP/RUN del panel de control. La máquina deberá arrancar suavemente y acelerar a

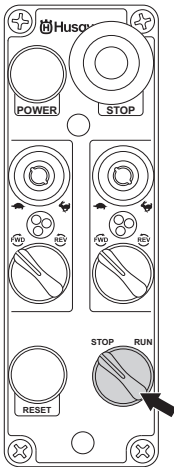
ARRANQUE Y PARADA

la velocidad seleccionada después de un período de 5 segundos.



Parada

Ponga el interruptor de parada/funcionamiento en el modo de 'PARADA'.



MANTENIMIENTO

Generalidades



¡ATENCIÓN! El usuario sólo puede efectuar los trabajos de mantenimiento y servicio descritos en este manual. Los trabajos de mayor envergadura debe efectuarlos un taller de servicio oficial.

Quando apague la máquina, debe desconectar el cable de alimentación de la toma de corriente.

Utilice el equipo de protección personal. Vea las instrucciones bajo el título "Equipo de protección personal".

La vida útil de la máquina puede acortarse y el riesgo de accidentes puede aumentar si el mantenimiento de la máquina no se hace de forma adecuada y si los trabajos de servicio y/o reparación no se efectúan de forma profesional. Para más información, consulte con el taller de servicio oficial más cercano.

Diríjase a su distribuidor de Husqvarna para que revise la máquina regularmente y para que realice ajustes y reparaciones básicas.

Programa de mantenimiento

	Mantenimiento diario	Mantenimiento semanal	Semestralmente	Tras 12-36 meses
Limpieza	Limpieza externa		Componentes internos de la máquina	
Inspección funcional	Inspección general	Sistema de transmisión planetario		
	Cabezales desbastadores			
	Botón de encendido			
	Interruptor de parada/ funcionamiento			
	Parada de emergencia			
	Cubierta protectora			
Servicio				Sistema de transmisión de cabezales desbastadores

MANTENIMIENTO

Lista de comprobación de mantenimiento

Comprobaciones mecánicas externas	Tiempo necesario (min.)
Incline la unidad hacia atrás. Busque y quite las herramientas de diamantes.	2
Compruebe si hay daños en la cubierta que impidan la correcta rotación del cabezal planetario o de los cabezales satélites, la efectividad del sistema de estanqueidad y la capacidad de desbaste.	5
Desconecte la transmisión planetaria para reducir los ruidos de funcionamiento. Ponga los discos en funcionamiento a diferentes velocidades y escuche si se producen ruidos por cojinetes rotos.	5
Desconecte el motor pequeño, ponga en funcionamiento los discos a baja velocidad y compruebe su funcionamiento	5
Compruebe que la correa esté en buenas condiciones y que el interior de la máquina esté limpio.	10
Compruebe los tapones de los cabezales y apriételos si fuera necesario (3 por satélite)	5
Compruebe que los cabezales satélites se mueven correctamente. Si no se mueven correctamente, desmonte todos los cabezales.	15
Compruebe si hay desgaste en la superficie de la placa de acero y la placa amortiguadora.	10
Compruebe si el sistema de estanqueidad antipolvo presenta desgaste.	5
Desconecte el motor grande y sustituya el pequeño. Ponga en funcionamiento el cabezal planetario a diferentes velocidades y escuche con atención.	5
Compruebe si el piñón y el disco dentado de la cadena de la caja de engranajes de la transmisión planetaria están en buenas condiciones. Cambie las piezas que sea necesario.	5
Cada vez que se desmonte la transmisión planetaria, compruebe si hay polvo en la superficie superior. Compruebe el estado de la junta del cabezal planetario. Cambie las piezas que sea necesario.	20

MANTENIMIENTO

Limpeza



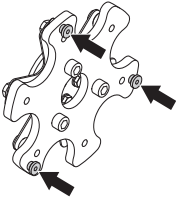
¡ATENCIÓN! No limpie la máquina con agua pulverizada o similar.

Limpeza externa

Inspección funcional

Inspección general

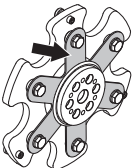
- Compruebe que el cable y el cable de empalme está intacto.
- Compruebe que los tornillos y las tuercas estén apretados.
- Compruebe que los cierres del cabezal están apretados. Apriete los cierres del cabezal y vuelva a echar un producto para fijación de roscas si hace falta (producto para fijación de roscas sugerido Loctite 680).



Cabezales desbastadores

Después de un largo período de tiempo se produce la fatiga del muelle de acero de resorte y los "dedos" de acero de resorte empiezan a romperse. Esto creará un movimiento irregular dentro de los cabezales desbastadores y provocará vibración cuando la máquina esté funcionando.

Se recomienda hacer comprobaciones habituales para ver si hay "dedos" rotos en los cabezales desbastadores de acero de muelles. La vida útil de los cabezales desbastadores puede variar entre 6 y 12 meses dependiendo de su uso.



Disponemos de repuestos de los muelles de acero de resorte y se pueden sustituir sin necesidad de deshacernos del cabezal desbastador.

Los cabezales de acero de muelles también se pueden hacer menos flexibles añadiendo un segundo muelle de acero de resorte.

Sistema de transmisión planetario

El sistema de transmisión planetario está compuesto por el piñón (que acciona el disco dentado de la cadena) y el disco dentado de la cadena. Este sistema es un sistema seco (es decir, no requiere que haya lubricación entre el piñón de transmisión planetario y el anillo de la cadena), para permitir que el polvo que pueda entrar en contacto con el anillo de la cadena vuelva a caer fuera.

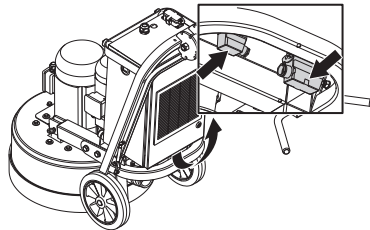
AVISO La lubricación de este sistema provocará que se forme polvo en el anillo de la cadena y se reduzca drásticamente la vida del anillo de la cadena y del piñón de transmisión planetario.

Como el anillo de la cadena y el piñón de transmisión planetario se ubican debajo de la cubierta de la máquina, pero en la parte exterior de ésta, existe la posibilidad de que se puedan exponer al polvo y otros desechos creados durante el proceso de desbastado.

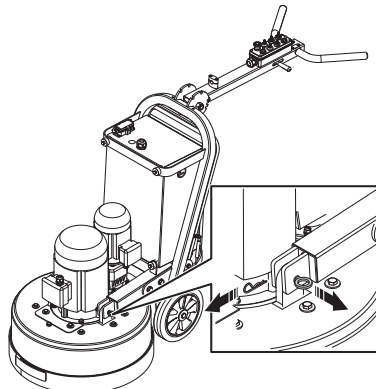
Para evitar todo lo posible que ocurra esto, se ha instalado una junta planetaria para impedir que el polvo y otras partículas entren en contacto con el mecanismo de transmisión planetario.

Comprobación de la junta planetaria

- Desconecte el cable de alimentación del motor del cabezal planetario y el motor de los cabezales desbastadores.



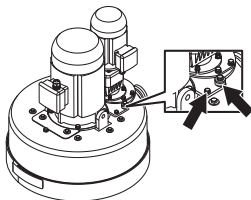
- Quite el pasador.



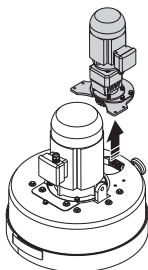
- Sujete el chasis y quite el pasador de montaje.

MANTENIMIENTO

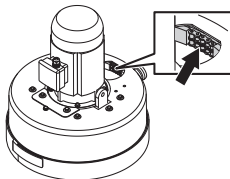
- Quite los pernos.



- Levante el conjunto de los engranajes y el motor.



- Inspeccione si se ha formado polvo aquí. Si la junta planetaria funciona de forma efectiva, deberá poderse observar una cantidad mínima de polvo debajo de la cubierta de la máquina. Si se ha formado una capa de polvo de 5-6 mm (1/4 pulgada), entonces es más que probable que sea el momento de quitar la cubierta de la máquina y comprobar el estado de la junta planetaria.



- Quite los pernos.



AVISO Antes de retirar la placa de cubierta del tensor de la correa, asegúrese de que la placa de cubierta y el área que rodea la placa estén completamente limpias. Evite que entren escombros dentro de la máquina.

- Levante la cubierta de la máquina para ver el anillo de la cadena y la junta planetaria.
- Si la junta planetaria está gastada o hay que sustituirla, póngase en contacto con su distribuidor de Husqvarna Construction Products para un nuevo kit de repuesto de junta planetaria.

Servicio



¡NOTA! Las reparaciones de todo tipo deben ser efectuadas por técnicos autorizados, únicamente. De este modo se evita someter a los operadores a grandes riesgos.

Sistema de transmisión de cabezales desbastadores

Como los discos desbastadores son impulsados por el motor grande a través de la correa interna, y puesto que la correa está sellada dentro de la máquina, no se requiere mantenimiento de este sistema de transmisión hasta que haya que hacer labores de asistencia técnica importantes (sustitución de correa y rodamiento). Esto se hace normalmente tras 12-36 meses de funcionamiento.

Tenga en cuenta que algunas aplicaciones son más exigentes que otras. De ello dependerá el tiempo de funcionamiento que debe transcurrir antes de que haya que realizar el mantenimiento interno. Lleve el equipo a un taller de reparación autorizado.

MANTENIMIENTO

Fallos y localización de fallos

La siguiente tabla muestra algunos de los problemas que podrían aparecer al utilizar las desbastadoras PG, así como una lista de posibles soluciones.

Problema	Causa posible	Posible solución
ES DIFÍCIL SUJETAR LA DESBASTADORA	No hay suficientes diamantes debajo de la máquina (si hay una capa espesa de cola de desbastado o suelos blandos, una cantidad insuficiente de diamantes debajo de la máquina incrementará enormemente la carga sobre la desbastadora y el operador). Normalmente también va acompañado de una fuerte absorción de corriente por el motor grande.	Aumente el número de diamantes debajo de la máquina para reducir la carga sobre la desbastadora y el operador.
	El motor grande no está funcionando (se puede deber a un fallo del motor, un fallo del cableado al motor o un fallo con el disco grande de velocidad variable o convertidor de frecuencia).	Compruebe si está enchufado el motor grande. Compruebe que no hay fallos en el disco grande de velocidad variable o convertidor de frecuencia. Compruebe que el disco grande de velocidad variable o el convertidor de frecuencia está encendido. Compruebe que el disco grande de velocidad variable o el convertidor de frecuencia está funcionando correctamente: desenchufe los dos motores, ponga la pantalla con el teclado en Output Frequency (frecuencia de salida), cambie la máquina a RUN (funcionamiento), vea si los números de la pantalla cambian de cero y empiezan a contar. Si los números se quedan en cero, el disco grande de velocidad variable o el convertidor de frecuencia no está recibiendo el comando de funcionamiento del interruptor del panel de control. Hará falta que un electricista o Husqvarna Construction Products comprueben la máquina.
	La correa de transmisión está resbalando.	Quite la placa de cubierta del tensor de la correa en la parte inferior de la máquina y compruebe que no haya agua o polvo en el interior de la máquina que pueda estar provocando que resbale la correa en las poleas de transmisión.
	La correa de transmisión está rota (esto se puede confirmar girando manualmente los cabezales desbastadores. Si todos los cabezales desbastadores giran juntos, la correa no estará rota. Si sólo gira un cabezal desbastador, la correa estará rota).	Sustituya la correa de transmisión interna.
	Solo llega 1 fase a la máquina, que no muestra un error, y la corriente del motor cae a <1 A. Además, el ventilador se mueve lentamente.	Compruebe la fuente de suministro de corriente.
	La aplicación o el uso de la máquina requiere demasiada capacidad de la máquina.	En algunas aplicaciones, incluso cuando el número y el tipo de diamantes son correctos, podría ser necesario reducir la velocidad de los motores y la velocidad de avance de la máquina.
LA DESBASTADORA SUENA COMO SI ESTUVIERA SOBREVOLUCIONADA	El motor del disco planetario pequeño no está enchufado.	Compruebe si el motor del disco planetario pequeño está enchufado.
	El motor pequeño no funciona, lo que podría deberse a un error del motor, del cableado que va hacia el motor o del disco de velocidad variable pequeño o el convertidor de frecuencia.	Compruebe si está enchufado el motor pequeño. Compruebe que no hay fallos en el disco pequeño de velocidad variable o convertidor de frecuencia. Compruebe que el disco pequeño de velocidad variable y el convertidor de frecuencia está encendido. Compruebe que el disco pequeño de velocidad variable o el convertidor de frecuencia está funcionando correctamente (desenchufe los dos motores, ponga la pantalla con el teclado en Output Frequency (frecuencia de salida), cambie la máquina a RUN (funcionamiento), vea si los números de la pantalla cambian de cero y empiezan a contar. Si los números se quedan en cero, el disco pequeño de velocidad variable o el convertidor de frecuencia no está recibiendo el comando de funcionamiento del interruptor del panel de control. Hará falta que un electricista o Husqvarna Construction Products comprueben la máquina.
	El motor grande no funciona. Puede deberse a un error del motor, del cableado que va hacia el motor o del disco de velocidad variable grande.	Compruebe que no hay errores en los discos de velocidad variable pequeño y grande. Si es necesario, reinicie el panel de control del manillar.

MANTENIMIENTO

LA DESBASTADORA NO DESBASTA DE FORMA REGULAR.	Puede que los diamantes no estén montados correctamente o que haya diamantes de alturas diferentes en los cabezales desbastadores. Puede que se hayan mezclado las herramientas de diamantes.	Compruebe que todos los diamantes están montados correctamente y tienen la misma altura. Compruebe que todos los segmentos tienen el mismo grado abrasivo y la misma composición. En el caso de que haya segmentos de diamante desiguales, coloque los diamantes de manera uniforme y ponga la máquina en funcionamiento en una superficie abrasiva hasta que todos los segmentos queden igualados.
	Puede que los tapones de los cabezales estén sueltos o falte alguno.	Asegúrese de que no falta ningún tapón de los cabezales y que están firmes.
	Puede que se hayan mezclado las herramientas de resina o que hayan recogido algún contaminante.	Asegúrese de que todas las resinas tienen el mismo grado abrasivo y la misma composición. Para limpiar las resinas, póngalas en funcionamiento brevemente en una superficie ligeramente abrasiva.
	Los cabezales desbastadores podrían estar desgastados o dañados.	Compruebe si los cabezales desbastadores presentan piezas rotas o un movimiento excesivo.
LA DESBASTADORA ESTÁ DANDO SALTOS	Los cabezales desbastadores pueden que estén desgastados o dañados.	Compruebe si los cabezales desbastadores tienen piezas rotas o exceso de movimiento.
	Puede que los diamantes no estén fijados correctamente o haya diferentes alturas de diamantes en los cabezales desbastadores.	Compruebe y asegúrese de que todos los diamantes están ajustados correctamente y son de la misma altura.
	Los cierres de los cabezales pueden estar sueltos o no estar presentes.	Compruebe que todos los cierres de los cabezales están presentes y apretados.
	El motor pequeño no funciona, lo que podría deberse a un error del motor, del cableado que va hacia el motor o del disco de velocidad variable pequeño.	Compruebe que el disco de velocidad variable pequeño está activo. Compruebe que no haya fallos en el disco de velocidad variable pequeño. Si es necesario, reinicie el panel de control situado cerca de los manillares. Compruebe que el disco de velocidad variable pequeño funciona correctamente (desenchufe ambos motores, ajuste la pantalla del teclado para mostrar la frecuencia de salida, ponga la máquina en funcionamiento y compruebe si los números de la pantalla empiezan a aumentar desde cero. Si los números siguen a cero, el disco de velocidad variable pequeño no está recibiendo el comando de funcionamiento del interruptor del panel de control). Un electricista o un representante de Husqvarna deben comprobar la máquina.

MANTENIMIENTO

Tabla de seguimiento de problemas

Problema/código de error	Causa posible	Posible solución
La máquina no se enciende.	El cable de alimentación no está conectado.	Compruebe que el cable de alimentación está conectado.
	El botón de parada de emergencia está activado.	Gire el botón de parada de emergencia para desactivarla.
	El disyuntor de seguridad está abierto en el armario eléctrico.	Cierre el disyuntor para completar el circuito.
	Hay un problema con el contacto de la parte trasera del botón de encendido.	Asegúrese de que los cables están bien conectados en la parte trasera del botón de encendido, como se indica en el esquema de la máquina. Compruebe que el contacto se acopla al pulsar el botón de encendido.
La pantalla inicial (V1.1) sigue indicando 0,00 Hz para los discos de velocidad variable al cambiar la máquina del modo de PARADA al de FUNCIONAMIENTO.	Hay un problema con la conexión de los cables que van hacia el interruptor de parada/funcionamiento o con el contacto de la parte trasera del interruptor de parada/funcionamiento.	Compruebe que los cables del interruptor de parada/funcionamiento del interior del panel de control están bien conectados y se activan y desactivan cuando se gira el interruptor.
La pantalla inicial (V1.1) sigue indicando 0,00 Hz para uno de los discos de velocidad variable al cambiar la máquina del modo de PARADA al de FUNCIONAMIENTO.	Hay un problema con la conexión eléctrica que va del interruptor de parada/funcionamiento a los interruptores de avance/retroceso.	Compruebe que los cables de conexión entre el interruptor de parada/funcionamiento y los interruptores de avance/retroceso están bien conectados como se muestra en el esquema de la máquina.
	Hay un problema con la conexión del cableado que va de los interruptores de avance/retroceso al convertidor de frecuencia o con el contacto de la parte trasera de los interruptores de avance/retroceso.	Compruebe que los cables de conexión entre los interruptores de avance/retroceso y el convertidor de frecuencia están bien conectados como se muestra en el esquema de la máquina. Compruebe que el contacto se activa y desactiva completamente al girar el interruptor.
La pantalla inicial de referencia de frecuencia no llega a indicar 80 Hz para el disco de velocidad variable grande.	Hay un problema con el potenciómetro de velocidad de los cabezales del panel de control situado cerca de los manillares.	Compruebe los cables que van hacia el potenciómetro siguiendo el esquema de la máquina. Si es necesario, sustituya el potenciómetro.
	Hay un problema con las comunicaciones del cableado que va hacia el disco de velocidad variable	Compruebe si hay daños en el cable del panel de control y el cable que va hacia los terminales del disco de velocidad variable.
	Hay un problema con los datos y la programación del disco de velocidad variable.	Se debe volver realizar la programación. Un representante de Husqvarna debe comprobar la máquina.
La pantalla inicial de referencia de frecuencia no llega a indicar 120 Hz para el disco de velocidad variable pequeño.	Hay un problema con el potenciómetro de velocidad de los discos del panel de control situado junto a los manillares.	Compruebe los cables que van hacia el potenciómetro siguiendo el esquema de la máquina. Si es necesario, sustituya el potenciómetro.
	Hay un problema con las comunicaciones del cableado que va hacia el disco de velocidad variable	Compruebe si hay daños en el cable del panel de control y el cable que va hacia los terminales del disco de velocidad variable.
	Hay un problema con los datos y la programación del disco de velocidad variable.	Se debe volver realizar la programación. Un representante de Husqvarna debe comprobar la máquina.
La pantalla inicial de referencia de frecuencia no llega a indicar 100 Hz para el disco de velocidad variable.	Hay un problema con el potenciómetro de velocidad de los discos del panel de control situado junto a los manillares.	Compruebe los cables que van hacia el potenciómetro siguiendo el esquema de la máquina. Si es necesario, sustituya el potenciómetro.
	Hay un problema con las comunicaciones del cableado que va hacia el disco de velocidad variable	Compruebe si hay daños en el cable del panel de control y el cable que va hacia los terminales del disco de velocidad variable.
	Hay un problema con los datos y la programación del disco de velocidad variable.	Se debe volver realizar la programación. Un representante de Husqvarna debe comprobar la máquina.
La tensión de corriente continua (pantalla V1.18) es inferior a 550 +/- 5 V cuando la máquina está en modo de espera.	El disco de velocidad variable recibe una alimentación insuficiente.	Compruebe la tensión y las fases de la desbastadora en el primer punto de corriente de salida hacia la desbastadora.

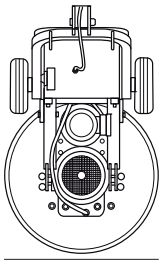
MANTENIMIENTO

La tensión de corriente continua (pantalla V1.18) es inferior a 500 +/- 5 V cuando la máquina está en funcionamiento.	El disco de velocidad variable recibe una alimentación insuficiente.	Compruebe la tensión y las fases de la desbastadora en el primer punto de corriente de salida hacia la desbastadora, incluidas las conexiones del cableado en el contacto y la entrada del disco de velocidad variable.
Se enciende una luz roja en el panel de control durante el funcionamiento.	Aparecen códigos de error en la pantalla del interior del armario eléctrico.	Compruebe el código de error de la pantalla y actúe según corresponda.
Aparece el código F1.1 en el panel de la pantalla: exceso de corriente.	El motor ha funcionado con demas	Compruebe la corriente que consume la máquina en funcionamiento. Reduzca la velocidad y
	Hay un cortocircuito entre las fases en el lado de salida de los discos de velocidad variable.	Compruebe el cableado de los enchufes conec
	Falta la fase de entrada L1 en el contacto.	Compruebe el cableado entrante en los enchufes de corriente y el contacto.
	Fallo interno del motor (inusual).	Un técnico debe examinar el motor. Sustituir si es necesario.
Aparece el código F1.3 en el panel de la pantalla: error de conexión a tierra.	Hay un cortocircuito entre las fases en el lado de salida de los discos de velocidad variable.	Compruebe si hay cables de conexión a tierra sueltos en el cableado de los enchufes conec
	Fallo del motor (inusual).	Un técnico debe examinar el motor. Sustituir si es necesario.
Aparece el código F1.9 en el panel de la pantalla: tensión insuficiente.	Suministro de tensión insuficiente a la máquina.	Compruebe la fuente de alimentación y asegúrese de que la tensión es correcta. Compruebe la fuente de alimentación de la toma de corriente.
	Se ha apagado la fuente de alimentación de los discos de velocidad variable.	Vuelva a conectar la desbastadora a la corriente. Compruebe la tensión de corriente continua (pantalla V.1.18) tanto en el modo de espera (550 +/-5) como en el de funcionamiento (500 +/-5).
Aparece el código F1.11 en el panel de la pantalla: supervisión de la fase de salida.	Hay un cortocircuito en el lado de salida de los discos de velocidad variable. No hay corriente en una de las fases de alimentación del motor.	Compruebe el cableado de los enchufes conec
Aparece el código F1.14 en el panel de la pantalla: temperatura excesiva de la unidad.	Los discos de velocidad variable presentan un exceso de temperatura debido a una alta temperatura de trabajo o a un sensor de temperatura defectuoso.	Abra la puerta del armario eléctrico para aumentar la ventilación. Si fuera necesario, haga que un representante de Husqvarna compruebe los discos de velocidad variable.
Aparece el código F1.15 en el panel de la pantalla: el motor se ha calado.	Se ha activado la protección anticulado del motor. El motor ha funcionado con demas	Compruebe la corriente que consume la máquina en funcionamiento. Reduzca los ajustes de velocidad del motor mediante los potenciómetros del panel de control situado cerca de los manillares y el consumo de corriente a límites aceptables como se describe en la supervisión de los menús de frecuencia de salida.
	Hay un atasco mecánico entre los discos desbastadores bajo el cabezal desbastador.	Incline la máquina hacia atrás y compruebe si hay elementos extraños en los discos desbastadores. Gire los discos desbastadores con la mano para comprobar si hay un atasco. Asegúrese de que los tres discos desbastadores giran conjuntamente. Si alguno de los discos desbastadores gira individualmente, esto indica que el atasco interno está causado por una correa rota. Póngase en contacto con un representante de Husqvarna.
	Atasco mecánico en la transmisión planetaria.	Incline la máquina hacia atrás e intente girar el cabezal planetario con la mano para comprobar si hay un atasco. El cabezal planetario debería estar firme pero debería poderse girar. Retire la cubierta y limpie los residuos.
Aparece el código F1.16 en el panel de la pantalla: temperatura excesiva del motor.	El motor ha funcionado con demas	Compruebe la corriente que consume la máquina en funcionamiento. Reduzca los ajustes de velocidad del motor mediante los potenciómetros del panel de control situado cerca de los manillares y el consumo de corriente a límites aceptables como se describe en la supervisión de los menús de frecuencia de salida.

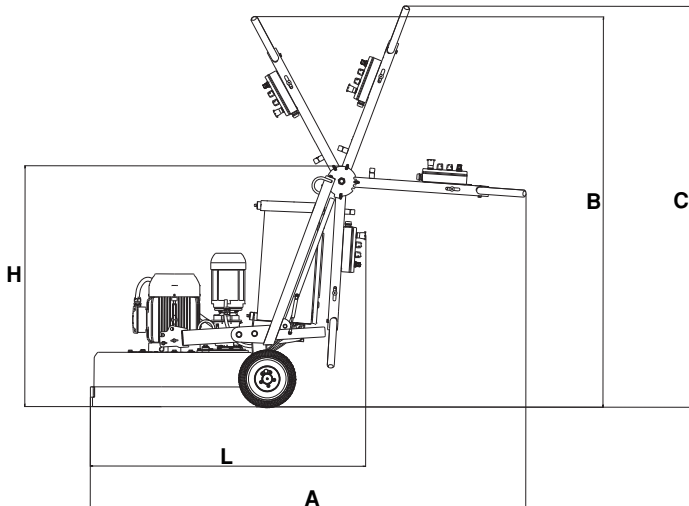
DATOS TECNICOS

Datos técnicos

	PG 680 EU/AU	PG 680 JP	PG 820 EU/AU	PG 820 JP
Potencia del motor, kW/CW	12,5/17	12,5/17	12,5/17	12,5/17
Amperaje nominal, A	27	43	27	43
Tensión nominal, V	380-440	200-220	380-440	200-220
Fases	Trifásica	Trifásica	Trifásica	Trifásica
Anchura de desbastado, mm/ pulgadas	680/27	680/27	820/32	820/32
Disco desbastador, mm/pulgadas	3x230/3x9	3x230/3x9	3x270/3x10,5	3x270/3x10,5
Presión total de desbastado, kg/ lbs	269/590	269/590	290/640	290/640
Presión de desbastado por disco, kg/lbs	90/200	90/200	97/213	97/213
Potencia por disco desbastador, kW/CV	4,15/5,7	4,15/5,7	4,15/5,7	4,15/5,7
Velocidad del disco desbastador, rpm	300-1200	300-1200	250-1100	250-1100
Velocidad del cabezal planetario, rpm	10-60	20-75	7,5-50	15-60
Dirección de giro	Control de dirección FWD/REV independiente de los dos discos desbastadores y el cabezal planetario.			
Peso, kg/lb	400/880	395/870	455/1000	455/1000
Tamaño (A x L x C), mm/pulgadas (Mango plegado)	1260x715x1260 / 50x28x50	1260x715x1260 / 50x28x50	1320x835x1260 / 52x33x50	1320x835x1260 / 52x33x50
Dimensiones, A,B,C, mm/pulg. (mango extendido)	2102, 1969, 2022 / 83, 77.5, 79.5	2102, 1969, 2022 / 83, 77.5, 79.5	2223, 1969, 2022 / 87.5, 77.5, 79.5	2223, 1969, 2022 / 87.5, 77.5, 79.5



W



DATOS TECNICOS

	PG 680	PG 820
Emisiones de ruido (vea la nota 1)		
Nivel de potencia acústica medido Lw (dB(A))	101	101
Niveles acústicos (vea la nota 2)		
Nivel de presión acústica en el oído del usuario, Lp (dB(A))	82	82
Niveles de vibraciones (vea la nota 3)		
Empuñadura derecha, m/s ²	2,7	2,7
Empuñadura izquierda, m/s ²	4,8	4,8

Nota 1: Las emisiones sonoras en el medio ambiente medidas como potencia acústica (L_{WA}) en conformidad con EN 15027/A1.

Nota 2: Nivel de presión sonora según EN 60745-1. Los datos referidos del nivel de presión sonora equivalente de la máquina tienen una dispersión estadística habitual (desviación típica) de 1 dB (A).

Nota 3: Nivel de vibración según EN 12348. Los datos referidos del nivel de vibración equivalente poseen una dispersión estadística habitual (desviación típica) de 1 m/s².

Declaración CE de conformidad

(Rige sólo para Europa)

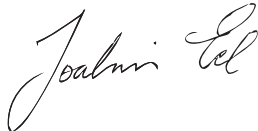
Husqvarna AB, SE-561 82 Huskvarna (Suecia), tel.: +46-36-146500, declara por la presente que la amoladora de suelos **Husqvarna PG 820, PG 680** a partir de los números de serie del año 2016 (el año se indica textualmente en la placa de identificación, seguido del número de serie), cumplen con las siguientes disposiciones de la DIRECTIVA DEL CONSEJO:

- **2006/42/CE** «relativa a máquinas» del 17 de mayo de 2006.
- **2014/30/UE**, "referente a compatibilidad electromagnética", del 26 de febrero de 2014.
- del 26 febrero de 2014 'relativa a equipos eléctricos destinados a utilizarse con determinados límites de tensión' **2014/35/UE**.
- del 8 de junio de 2011 «sobre restricciones a la utilización de determinadas sustancias peligrosas» (**2011/65/UE**)

Se han aplicado las siguientes normas: EN 55014-1:2000+A2:2002, EN 55014-2:1997+A1:2001, EN 61000-3-2:2000+A2:2005, EN 61000-3-3:1995+A2:2005.

La máquina entregada coincide con el ejemplar que fue sometido al examen CE de tipo.

Gotemburgo, 26 de febrero de 2016



Joakim Ed

Director mundial de I+D

Construction Equipment Husqvarna AB

(Presentante autorizado de Husqvarna AB y responsable de la documentación técnica.)

EXPLICAÇÃO DOS SÍMBOLOS

Símbolos na máquina

ATENÇÃO! A máquina, se for usada de forma indevida ou incorrecta, pode ser perigosa, causando sérios ferimentos ou mesmo a morte do utente ou outras pessoas.

Leia as instruções para o uso com toda a atenção e compreenda o seu conteúdo antes de fazer uso da máquina.

Use equipamento de protecção pessoal. Ver as instruções na secção "Equipamento de protecção pessoal".

ATENÇÃO! Durante os trabalhos de alisamento do pavimento produz-se poeira que, se respirada, pode causar lesões. Use protecção respiratória aprovada. Certifique-se de que haja boa ventilação.

Este produto está conforme as directivas em validade da CE.

Marca ambiental. O símbolo no produto ou respectiva embalagem indica que este produto não pode ser processado como detritos domésticos.

Providenciando para que este produto seja processado de forma correcta, você pode contribuir para contrariar potenciais consequências negativas para o meio ambiente e pessoas, que caso contrário, podem ser provocadas pela gestão inadequada dos resíduos deste produto.

Para mais informação sobre a reciclagem deste produto, contacte os serviços competentes da sua autarquia, o serviço de recolha de resíduos domésticos ou o estabelecimento onde adquiriu o produto.

Os restantes símbolos e autocolantes existentes na máquina dizem respeito a exigências específicas para homologação em alguns países.



Explicação dos níveis de advertência

As advertências são classificadas em três níveis.

ATENÇÃO!



ATENÇÃO! Utilizado no caso de existir risco de ferimento grave ou morte para o operador ou de danos nas zonas envolventes, se não forem seguidas as instruções do manual.

CUIDADO!



CUIDADO! Utilizado no caso de existir risco de ferimento para o operador ou de danos nas proximidades, se não forem seguidas as instruções do manual.

ATENÇÃO!

ATENÇÃO! Utilizado se existir risco de danos para os materiais ou para a máquina, se não forem seguidas as instruções do manual.

Índice

EXPLICAÇÃO DOS SÍMBOLOS

Símbolos na máquina	66
Explicação dos níveis de advertência	66

ÍNDICE

Índice	67
--------------	----

APRESENTAÇÃO

Prezado cliente!	68
Design e características	68

APRESENTAÇÃO

Como se chama, na alisadora de pavimento?	70
---	----

EQUIPAMENTO DE SEGURANÇA DA MÁQUINA

Noções gerais	71
Botão de alimentação	71
Interruptor de paragem/funcionamento	71
Paragem de emergência	72
Botão Reset (Restabelecer)	72

MONTAGEM E AJUSTAMENTOS

Noções gerais	73
Substituição/montagem dos diamantes	73
Altura do punho	74
Ligação da máquina	74

GUIA DE ALISAMENTO

Cabeças de rectificação	75
Segmentos de diamante	75
Conjuntos completos e semi-conjuntos de diamantes	76
Determinar a dureza do cimento	77
Seleccção de diamante	78

OPERAÇÃO

Equipamento de protecção	79
Instruções gerais de segurança	79
Velocidade e direcção	81
Técnicas básicas de trabalho	84
Comandos de velocidade variável/conversores de frequência	84

ARRANQUE E PARAGEM

Antes de ligar	87
Arranque	87
Paragem	88

MANUTENÇÃO

Noções gerais	89
Esquema de manutenção	89
Lista de verificação de manutenção	90
Limpeza	91
Inspecção funcional	91
Falhas e sua resolução	93

ESPECIFICAÇÕES TÉCNICAS

Especificações técnicas	97
Certificado CE de conformidade	98

APRESENTAÇÃO

Prezado cliente!

Muito obrigado por escolher um produto Husqvarna!

Esperamos que ficará satisfeito com a sua nova máquina e que ela o acompanhará durante muito tempo. A compra de qualquer dos nossos produtos dá-lhe acesso a ajuda profissional, incluindo reparações e assistência técnica. Se não tiver adquirido a sua máquina num dos nossos revendedores autorizados, pergunte onde fica a oficina especializada mais próxima.

Este manual tem um grande valor. Certifique-se de que este manual se encontra sempre à mão no local de trabalho. Seguindo o seu conteúdo (utilização, assistência técnica, manutenção, etc) aumentará consideravelmente a vida útil da máquina bem como o preço de venda em segunda mão da mesma. Se vender a sua máquina, entregue as instruções de utilização ao novo proprietário.

Mais de 300 anos de inovação

A Husqvarna, empresa baseada na Suécia, tem como base uma tradição que remonta a 1689, quando o rei sueco Karl XI mandou construir uma fábrica para fabricar mosquetes. Na época, estabeleceram-se as fundações para o desenvolvimento de capacidades relacionadas com a engenharia que se encontra por detrás de alguns dos produtos mais conhecidos do mundo, tais como armas de caça, bicicletas, motociclos, aparelhos domésticos, máquinas de costura e ferramentas para uso em exteriores.

A Husqvarna é a líder global em ferramentas motorizadas para uso em exteriores, tais como em silvicultura, manutenção de jardins e parques, cuidados da relva, bem como na área do equipamento de corte e ferramentas de diamante para a construção e a indústria de extracção e transformação de pedra.

Responsabilidade do proprietário

É da responsabilidade do proprietário/entidade empregadora que o operador tenha conhecimento suficiente sobre como utilizar a máquina em segurança. Os supervisores e os operadores devem ter lido e compreendido o Manual do Operador. Devem conhecer:

- As instruções de segurança da máquina.
- As diversas aplicações da máquina e as suas limitações.
- O modo como a máquina deve ser utilizada e mantida.

A legislação nacional poderá regular a utilização desta máquina. Informe-se da legislação aplicável no seu local de trabalho antes de utilizar esta máquina.

Ressalvas do fabricante

No seguimento da publicação deste manual, a Husqvarna poderá emitir informações adicionais para garantir uma operação segura deste produto. O proprietário tem o dever de se manter actualizado quanto aos métodos de operação mais seguros.

Husqvarna AB efectua o desenvolvimento contínuo dos seus produtos, reservando-se o direito de introduzir modificações referentes, entre outros, ao aspecto e forma dos mesmos sem aviso prévio.

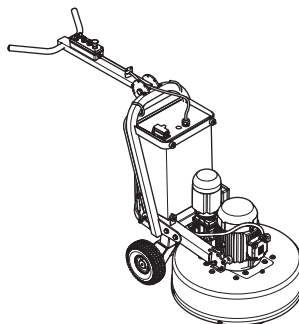
Para obter informação e assistência, contacte-nos através do nosso website: www.usa.husqvarna.com

Design e características

Os nossos valores, tais como a elevada performance, fiabilidade, tecnologia inovadora, soluções técnicas avançadas e o cuidado do ambiente, distinguem os produtos Husqvarna. Para garantir uma operação segura deste produto, o operador deverá ler atentamente este manual. Consulte o seu concessionário ou contacte a Husqvarna, caso necessite de informações adicionais.

Algumas das características únicas dos nossos produtos encontram-se descritas em baixo.

PG 680/PG 820



As máquinas de alisamento de pisos Husqvarna PG 680/820 foram concebidas para a rectificação húmida ou seca de mármore, terrazzo, granito e cimento. As suas aplicações vão desde o desbaste até um acabamento polido. A máquina destina-se a utilização comercial, por exemplo em hotéis, escolas, hospitais, fábricas, escritórios, etc.

- A cabeça planetária e as cabeças de rectificação funcionam com motores independentes, através da Dual Drive Technology™. Desta forma, o operador controla totalmente a velocidade e o sentido de rotação da cabeça planetária e das cabeças satélites.
- Uma rectificadora de cabeça tripla fornece maior pressão e potência para baixo às cabeças de rectificação do que as máquinas de 4 cabeças. Também proporciona um funcionamento mais estável sobre superfícies onduladas do que as máquinas de 4 cabeças.
- Cabeça planetária accionada por engrenagens com correia de alta qualidade para transmissão de potência às cabeças de rectificação.
- Construção de resistência industrial.
- Estrutura robusta em aço.
- Cabeças com mola de aço.

APRESENTAÇÃO

- Cobertura inteiriça resistente em alumínio.
- Rodas de borracha sólida endurecida.
- O mecanismo de selagem de 5 vias protege os rolamentos e as peças internas de poeiras de betão. Isto proporciona intervalos de manutenção mais longos e maior tempo de vida útil da máquina.
- O Redi Lock™ oferece um sistema fácil para a substituição de ferramentas de diamante.
- Estrutura e design das pegas ergonómicos.
- Controlos claros e fáceis de utilizar para controlar as funções da máquina.
- Baixo custo de manutenção e de ferramentas por metro/pé quadrado.

Características adicionais

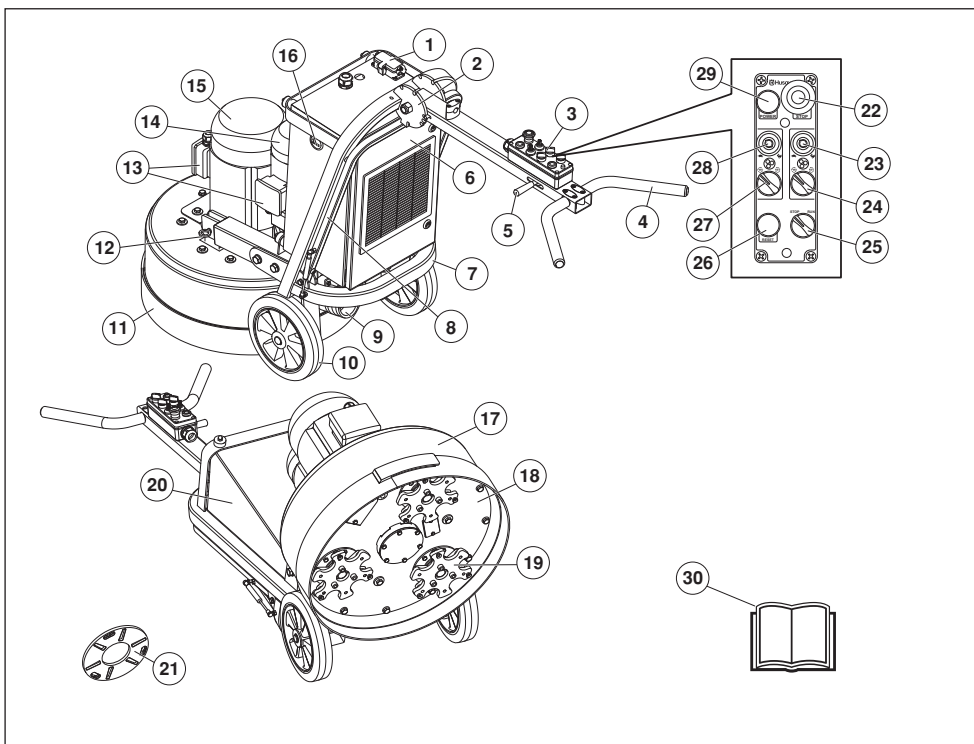
PG 820

- Ampla capacidade de rectificação, adequada para uso profissional.

PG 680

- Instalação fácil através das aberturas convencionais e compatibilidade com a maioria das tarefas.
- Líder de mercado na relação de potência/peso.

APRESENTAÇÃO



Como se chama, na alisadora de pavimento?

- | | | | |
|----|--------------------------------------|----|---|
| 1 | Ligação por cabo | 17 | Cobertura/Protecção |
| 2 | Ajuste do punho | 18 | Cabeça planetária |
| 3 | Painel de Controlo | 19 | Cabeças de rectificação |
| 4 | Punho | 20 | Armário eléctrico |
| 5 | Alavanca de bloqueio, ajuste da pega | 21 | Porta-discos diamantado |
| 6 | Tampa de inspecção | 22 | Paragem de emergência |
| 7 | Chassi/Estrutura | 23 | Controlo da velocidade das cabeças rectificadoras. |
| 8 | Barra de apoio | 24 | Controlo da direcção das cabeças rectificadoras. |
| 9 | Ligação a aspirador | 25 | Interruptor de paragem/funcionamento |
| 10 | Rodas de borracha | 26 | Botão Reset (Restabelecer) |
| 11 | Saia de protecção contra poeiras | 27 | Controlo da direcção para rotação da cabeça planetária. |
| 12 | Pino de freio | 28 | Controlo da direcção para rotação da cabeça planetária. |
| 13 | Caixa de terminais do motor | 29 | Botão de alimentação |
| 14 | Motor com cabeças rectifi cadoras | 30 | Instruções para o uso |
| 15 | Cabeça de motor planetária | | |
| 16 | Relógio | | |

EQUIPAMENTO DE SEGURANÇA DA MÁQUINA

Noções gerais

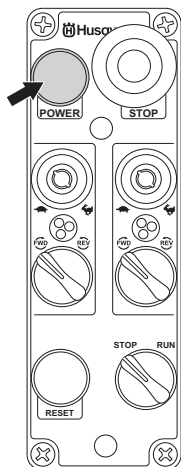


ATENÇÃO! Nunca use uma máquina com equipamento de segurança defeituoso. O equipamento de segurança da máquina deverá ser controlado e a sua manutenção feita conforme se descreve nesta secção. Se a sua máquina não satisfizer a algum desses controlos, deverá ser enviada a uma oficina autorizada para reparação.

Nesta secção esclarecem-se quais são as peças de segurança da máquina, que função desempenham e ainda como efectuar o controlo e a manutenção para se certificar da sua operacionalidade.

Botão de alimentação

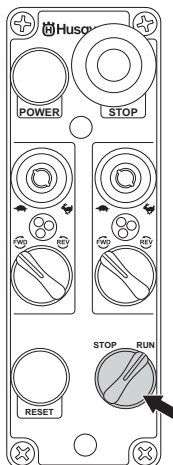
Este botão, quando pressionado, ligará a alimentação eléctrica para a unidade quando o botão EMERGENCY STOP (PARAGEM DE EMERGÊNCIA) tiver sido libertado.



Verificação do botão de alimentação

- Verifique se o botão de paragem de emergência não está premido, fazendo-o girar a direcção dos ponteiros do relógio.
- Prima o botão de alimentação. Ao fazê-lo, deve ouvir um som suave que vem do interior do armário eléctrico. Isto indica que os contactores de linha engataram, fornecendo energia aos comandos/conversores de frequência.
- Prima a paragem de emergência.

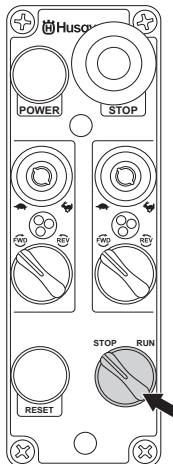
- Gire o interruptor de paragem/funcionamento para 'RUN'.



- A máquina não deve arrancar.

Interruptor de paragem/ funcionamento

O interruptor de paragem/funcionamento é utilizado para ligar e desligar os motores.



EQUIPAMENTO DE SEGURANÇA DA MÁQUINA

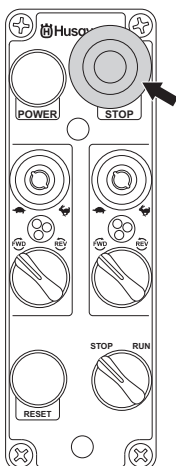
Verificação do interruptor de paragem/funcionamento

Verifique se o botão de paragem de emergência ou de paragem da máquina não está premido, fazendo-o girar na direcção do sentido horário.

- Prima o botão de alimentação.
- Reduza a pressão entre o disco de fresagem e a superfície empurrando o guiador sem levantar a fresadora da superfície durante o arranque.
- Coloque a máquina no modo de funcionamento utilizando o interruptor STOP/RUN (PARAGEM/ARRANQUE) no painel de controlo. A máquina deve arrancar suavemente e acelerar para a velocidade seleccionada no espaço de 5 segundos.
- Gire o interruptor de paragem/funcionamento para 'STOP'.

Paragem de emergência

A paragem de emergência é utilizada para desligar rapidamente o motor. A paragem de emergência na máquina interrompe a alimentação da rede eléctrica.

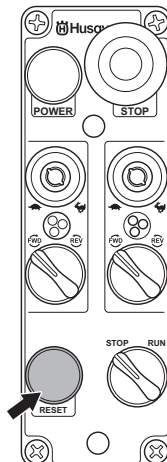


Testar a paragem de emergência

- Prima a paragem de emergência. Verifique se o motor pára.
- Liberte o botão Emergency Stop (Paragem de Emergência) (rode no sentido dos ponteiros do relógio).

Botão Reset (Restabelecer)

- O botão Reset (Reposição) serve para repor as falhas activas nas unidades do computador Vacon que podem ocorrer durante o funcionamento, tais como as de 'Corrente excessiva' ou 'Tensão insuficiente'. Após a reposição, a máquina voltará ao seu funcionamento normal.



MONTAGEM E AJUSTAMENTOS

Noções gerais



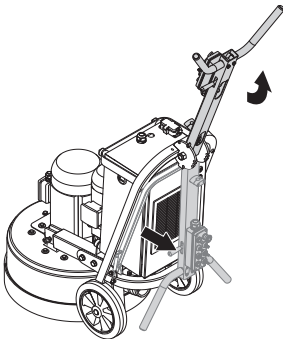
ATENÇÃO! A máquina deve ser desligada com o cabo de alimentação desconectado da tomada.

Substituição/montagem dos diamantes

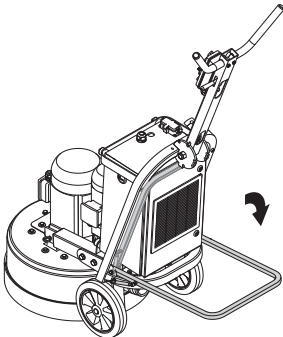
ATENÇÃO! Quando utilizar a máquina, cada cabeça rectificadora tem de ter sempre o mesmo tipo de diamante e o mesmo número de diamantes das outras cabeças rectificadoras. Cada cabeça rectificadora tem de ter diamantes da mesma altura das outras cabeças rectificadoras.

Tenha à mão um par de luvas uma vez que os diamantes podem ficar muito quentes durante aplicações de rectificação secas.

- Coloque a pega na posição vertical.

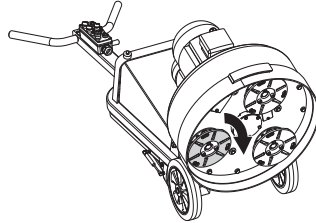


- Baixe o apoio para o pé.



- Segure na barra de direcção e, com um pé no apoio, incline a máquina para trás. A máquina deve estar apoiada sobre as rodas e o chassis.
- Calce as luvas.

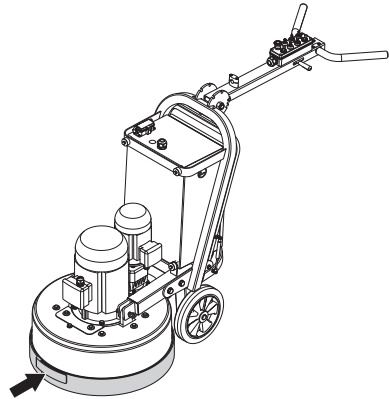
- Retire o disco rectificador rodando ligeiramente o disco e depois puxe para fora (a direcção em que os discos têm de ser rodados dependerá da direcção em que a máquina funcionou pela última vez).



- Utilize um martelo para remover os segmentos de diamante.
- Coloque os novos segmentos de diamante no disco de desgaste.

A montagem é feita pela ordem inversa.

Uma vez que os novos diamantes podem ter alturas diferentes daquelas configuradas anteriormente, volte a ajustar a protecção para garantir uma boa vedação em relação ao piso.



Ajustar a saia de borracha

- Ajuste a protecção de borracha para obter uma boa vedação entre o piso e a cabeça da máquina. Assegure-se de que a junta da protecção se encontra na parte dianteira da máquina. A colocação da protecção é fundamental para obter uma boa extracção de poeiras e para eliminar a possibilidade de poeiras aéreas ao fazer a rectificação seca.

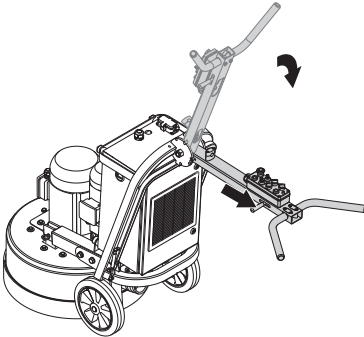
MONTAGEM E AJUSTAMENTOS

Altura do punho

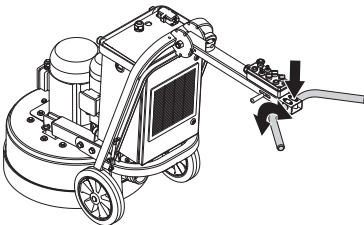


CUIDADO! Recomendamos que esta altura seja definida o mais próximo possível da altura da anca do operador. Quando a máquina está a funcionar, existirá uma força/um impulso de rectificação para um lado que pode ser sentido através das barras da pega. Use a anca para resistir a esta força em vez de tentar controlá-la com os braços (este posicionamento será mais fácil para o operador do que utilizar a máquina durante longos períodos de tempo).

- Coloque a pega na altura de trabalho mais confortável utilizando a alavanca de ajuste.



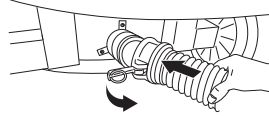
- Ajuste a altura da parte superior da barra de direcção.



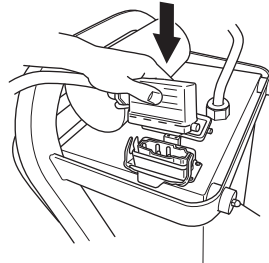
Ligação da máquina

Recomendamos vivamente a utilização do sistema de extracção de poeiras Husqvarna DC 6000 para um controlo total das poeiras.

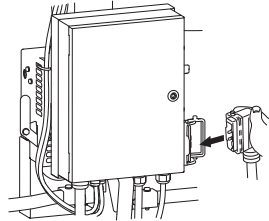
- Ligue o aspirador à máquina.



- Assegure-se de que o interruptor STOP/RUN (PARAGEM/ARRANQUE) está colocado em STOP (PARAGEM) (rode no sentido contrário ao dos ponteiros do relógio).
- Ligue a ficha de alimentação do DC 6000 diretamente à trituradora.



- Ligue a ficha de alimentação da trituradora à tomada eléctrica do extractor de poeiras.

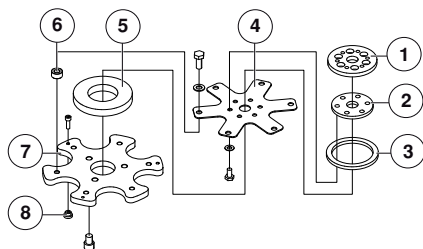


Cabeças de rectificação

Existem 2 opções diferentes de cabeças rectificadoras:

- Cabeças de Mola de Aço - concebido para aplicações de acabamento ou de rectificação mais ligeiras.
- Cabeças convencionais/de demolição – concebidas para rectificação de preparação pesada, onde se requer um sistema extremamente robusto. (acessório adicional)

Cabeças de Mola de Aço



- 1 Cubo de accionamento
- 2 Placa do espaçador
- 3 Anel de amortecimento
- 4 Mola de aço da mola
- 5 Mola de silicone
- 6 Espaçadores
- 7 Chapa da cabeça
- 8 Fecho da cabeça

Entre a placa da cabeça e a cabeça correspondente existe uma série de espaçadores, uma mola de aço e uma mola de silicone que absorve os choques e proporciona flexibilidade ao sistema.

As cabeças de mola de aço consistem numa série de espaçadores, numa mola de silicone e numa mola de aço. Combinadas, proporcionam flexibilidade ao sistema e absorvem os choques.

Ao contrário das cabeças para remoções mais difíceis, as cabeças de mola de aço conseguem deslocar-se de forma mais flexível com peças que se deslocam para fora devido ao design de mola de aço.

Segmentos de diamante

As directrizes que se seguem referem-se a aplicações de rectificação com segmentos de diamante. Como acontece com todas as directrizes, existem sempre excepções à regra.

Noções gerais

Os abrasivos de diamante consistem normalmente em 2 componentes:

- Pó de diamante (também conhecido por cristais ou partículas de diamante). Mudando o tamanho do pó ou das partículas de diamante, podemos mudar a grossura ou a finura dos riscos deixados pelo processo de rectificação.

- Um agente de ligação (metal ou resina). O pó de diamante é misturado e suspenso num agente de ligação de metal ou resina. Quando suspenso num agente de ligação de metal, os produtos acabados são referidos como um segmento de diamante de União de Metal ou Sinterado. Quando suspenso num agente de ligação de resina, o produto acabado é referido como um segmento de diamante ou almofada de União de Resina. Mudando a dureza do agente de ligação, podemos mudar a rapidez ou a lentidão de desgaste do abrasivo de diamante.

Tamanho das partículas de diamante

Seguem-se as regras gerais relativas aos segmentos de diamante em aplicações de rectificação. Tal como acontece com as regras gerais, existem excepções ou casos em que isto não acontece.

Mudar o tamanho das partículas de diamante para um tamanho inferior terá efeitos no desempenho da ferramenta de diamante dos seguintes modos:

- Cria um padrão de riscos mais finos.
- Aumentar a vida da ferramenta de diamante.

O oposto ocorrerá quando se mudar para um tamanho de partículas maior.

Agente de ligação

Aumentar a dureza da união irá:

- Cria um padrão de riscos mais finos.
- Aumentar a vida da ferramenta de diamante.
- Diminuir a taxa de produção.

O oposto ocorrerá se tornar a união de metal ou de resina mais suave.

Número de segmentos sob a máquina

Aumentar o número de segmentos sob a máquina irá:

- Reduzir a velocidade sobre cada segmento de diamante individual. – Reduzir a taxa de desgaste nos segmentos de diamante.
- Reduzir a carga sobre a máquina e fazer com que o rectificador puxe menos corrente.
- Criar um padrão de riscos mais suave (particularmente sobre pisos suaves).

O oposto ocorrerá se diminuir o número de segmentos sob a máquina.

Rectificação húmida e seca

Se utilizar segmentos de diamante húmidos, aplicam-se os seguintes princípios:

- As velocidades de produção serão superiores às da rectificação seca.
- Os segmentos de diamante desgastar-se-ão mais rapidamente (devido à presença de lamas) e, portanto, podem ser utilizadas ligas mais duras (comparativamente à rectificação seca).
- Os riscos das partículas de diamante serão mais profundos.

GUIA DE ALISAMENTO

Se utilizar segmentos de diamante secos, aplicam-se os seguintes princípios:

- As velocidades de produção serão mais lentas em materiais mais duros do que na rectificação húmida.
- Serão necessários segmentos de ligação mais suaves para incentivar o desgaste de segmento (uma vez que não existirá lama para contribuir para o desgaste dos segmentos de diamante).
- Os riscos das partículas de diamante não serão tão profundos como se fossem também usadas para rectificação húmida.
- Existirá mais calor gerado pelo segmento de diamante.

Resumo dos princípios do diamante

Os segmentos de diamante precisam de desgastar-se para obterem produtividade. O desgaste do segmento de diamante pode ser influenciado pelos seguintes factores:

- Pressão.
- Dureza da união.
- Tamanho da partícula de diamante.
- Presença de água.
- Número de segmentos sob a máquina.
- Adicionar um abrasivo (por exemplo, areia, carboneto de silicene) no piso aumentará o desgaste.

Em termos gerais, quanto mais depressa se desgastar um segmento de diamante, mais rápida será a produtividade. Variando os factores acima, também podem ser feitas alterações para o seguinte efeito:

- Padrão de riscos.
- Tomada de corrente da máquina.
- Uniformidade do piso (ver a secção seguinte).
- Facilidade de operação.

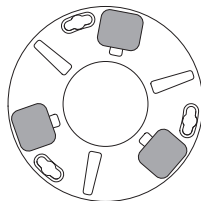
Conjuntos completos e semi-conjuntos de diamantes

Noções gerais

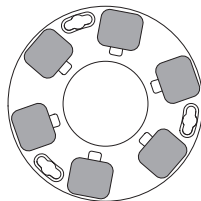
A forma de colocação dos segmentos de diamante nas cabeças de rectificação da máquina terá também uma grande influência no desempenho da máquina, nos níveis de produtividade e na qualidade do piso acabado.

Basicamente, existem dois tipos de configurações de diamante que podem utilizar-se com o rectificador:

- Semi-conjunto de diamantes – quando existem diamantes colocados nas três posições alternativas nos discos de suporte de diamantes.



- Conjunto completo de diamantes – quando existem diamantes colocados em cada uma das seis posições nos discos de suporte de diamante.



Alterando a forma de colocação dos diamantes nos suportes de disco de diamante, um operador pode aumentar eficazmente o desempenho da máquina e, consequentemente, a qualidade do produto acabado.

Semi-conjunto de diamantes

Quando se colocam os diamantes como um semi-conjunto, estes têm tendência para acompanhar a superfície do piso. Tal como um tripé para uma câmara, que pode colocar-se numa superfície irregular mantendo a estabilidade.

A configuração do semi-conjunto de diamantes só deve utilizar-se quando não se requer um acabamento de piso plano.

Conjunto completo de diamantes

Quando se colocam os diamantes como um conjunto completo, estes não têm tendência para acompanhar a superfície do piso. Se o piso tiver ondulações, a máquina rectificará as áreas elevadas mas falhará os pontos baixos.

A configuração do conjunto completo de diamantes só deve utilizar-se quando se requer um acabamento de piso plano.

A tabela abaixo apresenta alguns exemplos de aplicações possíveis para as duas disposições:

GUIA DE ALISAMENTO

Área de aplicação	O conjunto completo	O semi-conjunto
Remoção de adesivo em azulejo de cerâmica	X	
Remoção de cola em tapetes		X
Remoção de tinta epóxi	X	
Remoção de adesivo de Vinil		X
Cimento danificado pela chuva	X	
Aglomerado suavizado exposto	X	
Extracção de saliências entre ladrilhos de cimento.	X	
Polimento de superfície de pisos de cimento		X
Rectificar agregado exposto em aplicação de polimento de cimento	X	
Aplainamento de ondulações em pisos de cimento	X	
Novo polimento de pisos rectificadados anteriormente		X

Determinar a dureza do cimento

Medem-se todos os cimentos através da sua resistência à compressão e, dependendo da parte do mundo onde se encontrar, índices de resistência à compressão diferentes (por ex., PSI e MPa). Em termos gerais, quanto maior for a classificação de resistência à compressão, mais duro será o cimento, pelo que mais difícil será de rectificar.

Contudo, existem também factores, além da força de compressão, que determinam a dureza da superfície e que afectam, por isso, a escolha da ferramenta diamantada. Como na maioria das vezes nos referimos apenas à camada superior (5 mm), em termos de fresagem, o tratamento da superfície de betão e o estado da mesma têm, muitas vezes, um maior impacto na escolha do segmento de diamante do que a força de compressão.

Factores da superfície a considerar ao seleccionar um diamante

Em termos gerais, se uma superfície de cimento for muito mole (ou seja, o mais provável é ter sido muito alisada com colher de pedreiro/lâminas horizontais), o cimento comportar-se-á como se tivesse uma resistência à compressão elevada, pelo que requererá um segmento de união mole.

Assim, se uma superfície de cimento for áspera/agressiva (ou seja, danifi cada pela chuva, jacto, esscarificada, agregado exposto, etc.), o cimento comportar-se-á como se tivesse uma resistência à compressão baixa, pelo que requer um segmento de união duro.

Os revestimentos/contaminantes da superfície (por ex., revestimentos de epóxi, azulejos cerâmicos adesivos, compostos/camadas de nivelamento) terão frequentemente uma maior influência na selecção do diamante do que a resistência à compressão do cimento.

Regra geral, quando se rectifica um pavimento em cimento pela primeira vez e não se sabe concretamente qual a sua dureza, começa-se sempre com diamantes de união mais duros debaixo da máquina. Isto garantirá a mínima quantidade de desgaste nos segmentos de diamante. Se um segmento de diamante duro não for adequado à aplicação, basta um pouco de tempo sem desgastar os diamantes.

Se for executado de outra forma (ou seja, se se utilizar um segmento mole no início) e o cimento for mole, ou tiver uma superfície abrasiva ou um contaminante da superfície, é muito provável que desgaste uma grande quantidade de diamante num período de tempo muito curto.

GUIA DE ALISAMENTO

Seleção de diamante

As sugestões seguintes abrangem os princípios básicos para a seleção de diamante para aplicações diferentes.

Área de aplicação	União metálica	Tamanho do abrasivo	O conjunto completo	O semi-conjunto	Simples/Duplos/Triplos
Piso plano – Cimento duro	Mole	16 a 30	X		S
Piso plano – Cimento médio	Médio	16 a 30	X		S
Piso plano – Cimento mole	Duro	16 a 30	X		D ou T
Remoção de adesivo em azulejo de cerâmica	Duro	16 a 30	X		S ou D
Remoção de Vinil ou Cola de tapete – Cimento duro	Mole	16 a 30		X	S ou D
Remoção de Vinil ou Cola de tapete – Cimento médio	Médio	PCD a 16		X	D ou T
Remoção de Vinil ou Cola de tapete – Cimento mole	Duro	PCD a 16		X	D ou T
Remoção de tinta épxi – Cimento duro	Mole	16 a 30	X	X	S
Remoção de tinta épxi – Cimento médio	Médio	16 a 30	X		S
Remoção de tinta épxi – Cimento mole	Duro	16 a 30	X		D ou T
Cimento danificado pela chuva	Duro	16 a 30	X		D ou T
Aglomerado suavizado exposto	Duro	16 a 30	X		S ou D
Remoção de irregularidades em azulejos de pedra natural/de terrazzo	Mole	30 a 60	X		S
Polimento de superfície de pisos de cimento – Cimento duro	Mole	60		X	S ou D
Polimento de superfície de pisos de cimento – Cimento médio	Médio	60		X	S ou D
Polimento de superfície de pisos de cimento – Cimento mole	Duro	60		X	D
Rectificar agregado exposto em cimento – Cimento duro	Mole	16 a 30	X		S
Rectificar agregado exposto em cimento – Cimento médio	Médio	16 a 30	X		S
Rectificar agregado exposto em cimento – Cimento mole	Duro	16 a 30	X		D ou T
Aplainamento de ondulações em pisos de cimento – Cimento duro	Mole	16 a 30	X		S
Aplainamento de ondulações em pisos de cimento – Cimento médio	Médio	16 a 30	X		S
Aplainamento de ondulações em pisos de cimento – Cimento mole	Duro	16 a 30	X		D

OPERAÇÃO

Equipamento de protecção

Noções gerais

Nunca use uma máquina sem que possa pedir ajuda em caso de acidente.

Equipamento de protecção pessoal

Em quaisquer circunstâncias de utilização da máquina deve ser utilizado equipamento de protecção pessoal aprovado. O equipamento de protecção pessoal não elimina o risco de lesão mas reduz os seus efeitos em caso de acidente. Consulte o seu concessionário na escolha do equipamento.



ATENÇÃO! A utilização de produtos de corte, esmerilhamento, perfuração, polimento ou configuração de material, podem criar poeiras e vapores contendo químicos prejudiciais para a saúde. Informe-se sobre a composição do material com que trabalha e use uma máscara respiratória adequada.



ATENÇÃO! A exposição prolongada a ruídos pode provocar danos auditivos permanentes. Por isso, use sempre protectores acústicos aprovados. Esteja sempre atento a sinais de alarme ou avisos de viva voz quando usar protectores acústicos. Retire os protectores acústicos logo que o motor tenha parado.



ATENÇÃO! Ao trabalhar com produtos com peças móveis, há sempre o risco de esmagamento. Use luvas de trabalho para evitar ferimentos.

Use sempre:

- Capacete de protecção
- Protectores acústicos
- Óculos ou viseira de protecção
- Máscara respiratória
- Luvas fortes e de agarre seguro.
- Vestuário justo, forte e confortável que permita total liberdade de movimentos.
- Botas com biqueiras de aço e solas antideslizantes.

Tenha cuidado com peças de vestuário, cabelos compridos e adornos, dado que podem prender-se em componentes móveis.

Outro equipamento de protecção



ATENÇÃO! Podem originar-se faíscas que podem causar um incêndio, ao trabalhar com a máquina. Tenha sempre à mão extintores para extinção de incêndios.

- Equipamento de combate a incêndios
- Os primeiros socorros devem sempre estar à mão.

Instruções gerais de segurança

Esta secção descreve as regras básicas de segurança para o trabalho com a máquina. A informação apresentada nunca substitui os conhecimentos, capacidades e a experiência de um profissional.

- Leia as instruções para o uso com toda a atenção e compreenda o seu conteúdo antes de fazer uso da máquina. **Guarde todos os avisos e instruções para referência futura.**
- Esteja consciente de que é você, o operador, o responsável por evitar expor pessoas e bens a situações que possam representar perigo de danos pessoais ou materiais.
- A máquina deve ser mantida limpa. As sinalizações e os autocolantes deverão estar totalmente legíveis.

Use sempre o seu bom senso

Não é possível cobrir todas as situações possíveis que poderá enfrentar. Actue sempre com precaução e use de senso comum. Caso se encontre numa situação em que se sinta inseguro, interrompa o trabalho e consulte um especialista. Contacte o seu revendedor, a sua oficina de serviço ou um utilizador experiente. Evite toda a utilização para a qual não se sinta suficientemente habilitado!



ATENÇÃO! A máquina, se for usada de forma indevida ou incorrecta, pode ser perigosa, causando sérios ferimentos ou mesmo a morte do utente ou outras pessoas.

Nunca deixar crianças ou outras pessoas utilizar a máquina ou efectuar a manutenção que não estejam devidamente formadas no seu manuseamento.

As crianças não devem brincar com o aparelho.

Nunca permita que outra pessoa utilize a máquina sem estar certo de que a mesma entendeu o conteúdo do manual de instruções. Nunca use a máquina quando estiver cansado, tiver bebido álcool ou tomado remédios que possam afectar a sua vista, a sua capacidade de discernimento ou o seu controlo físico.

OPERAÇÃO



ATENÇÃO! Modificações e/ou acessórios não autorizados podem provocar sérias lesões ou perigo de vida para o utilizador ou outros. Sob nenhuma circunstância é permitido modificar a configuração original da máquina sem a autorização expressa do fabricante.

Não modifique nunca esta máquina de forma a deixar de corresponder à versão original e não a use caso pareça ter sido modificada por outros.

Nunca use uma máquina defeituosa. Siga as instruções de manutenção, controlo e assistência técnica destas instruções para o uso. Alguns serviços de manutenção e de assistência técnica deverão ser executados por especialistas qualificados. Consultar as instruções na secção 'Manutenção'.

Devem usar-se sempre acessórios originais.



ATENÇÃO! Não permita nunca que uma criança use a máquina ou se encontre na proximidade da mesma.



ATENÇÃO! A sobreexposição a vibrações pode causar lesões cardiovasculares e nervosas a pessoas com problemas de circulação sanguínea. No caso de sentir sintomas físicos que o façam suspeitar de sobreexposição a vibrações, consulte um médico. Estes sintomas podem manifestar-se como torpor, ausência de sensibilidade, 'cócegas', 'picadelas', dor, falta ou redução de força normal, alterações de cor da pele ou da sua superfície. Estes sintomas manifestam-se normalmente nos dedos, nas mãos e nos punhos. Estes sintomas são mais evidentes a temperaturas baixas.

Segurança no local de trabalho

- Observe a zona de modo a assegurar-se de que nada irá afectar o seu controlo sobre a máquina.
- Evite usar a máquina em condições atmosféricas desfavoráveis. Por exemplo, nevoeiro denso, chuva, vento forte, frio intenso etc. Trabalhar com mau tempo é cansativo e pode levar a situações perigosas, tais como ir para terreno escorregadio.
- Nunca inicie o trabalho com a máquina antes de certificar-se que o local de trabalho está desimpedido e que tenha um apoio seguro para os seus pés.
- Assegure-se de que a área de trabalho está suficientemente iluminada, para que o ambiente de trabalho seja seguro.

- A máquina não deve ser utilizada em áreas onde exista a possibilidade de incêndios ou explosões.

Segurança no manejo de electricidade



ATENÇÃO! Há sempre o risco de choques eléctricos ao trabalhar com máquinas eléctricas. Evite trabalhar com condições atmosféricas desfavoráveis e em contacto físico com pára-raios e objectos metálicos. Para evitar acidentes, siga sempre as instruções do manual de instruções.

Não ligue nunca a máquina à tomada se a ficha ou o fio estiverem danificados.

- Verifique se a tensão de rede coincide com a indicada na placa que se encontra na máquina.
- A inspecção e/ou manutenção é efectuada com o motor desligado e com a ficha de retirada da tomada de corrente.
- Desligue sempre a máquina antes de retirar a tomada da parede.
- Desligue sempre a ficha de ligação durante intervalos grandes no trabalho.
- Nunca arraste a máquina pelo cabo e nunca retire a ficha puxando pelo cabo. Pegue pela ficha para desligar o cabo de alimentação.
- Se algum cabo da máquina estiver danificado, não use a máquina e entregue-a a uma oficina de reparações autorizada para ser reparada.
- Dentro de água, a máquina nunca deve ser conduzida até uma profundidade que atinja o seu equipamento. O equipamento pode ser danificado e a máquina poderá estar em funcionamento, o que pode provocar ferimentos pessoais.

Instruções de ligação à terra



ATENÇÃO! A ligação inadequada resultará no risco de choque eléctrico. Contacte um electricista qualificado, caso não tenha a certeza se o dispositivo tem ligação à terra instalada correctamente.

Não modifique a ficha. Se não encaixar na tomada, solicite a instalação de uma tomada adequada a um electricista qualificado. Certifique-se que todas as normas e regulamentos locais são cumpridas.

Se as instruções de ligação à terra não forem totalmente claras contacte um electricista qualificado.

- A máquina encontra-se equipada com um cabo de alimentação e ficha que devem estar sempre ligadas

OPERAÇÃO

a uma tomada com ligação à terra. Isto reduz o risco de choque eléctrico em caso de avaria.

- Não é permitida a utilização de adaptadores com a máquina.

Fios e cabos de extensão

- A indicação no cabo de extensão deve ter um valor igual ou superior ao indicado na etiqueta de tipo da máquina.
- Utilize cabos de extensão com ligação à terra.
- **Ao manejar uma ferramenta eléctrica no exterior, use uma extensão eléctrica adequada para utilização em exteriores.** A utilização de uma extensão eléctrica adequada para utilização em exteriores reduz o risco de choque eléctrico.
- Mantenha a ligação ao cabo de extensão seca e sem contacto com o chão.
- Mantenha o fio eléctrico fora do alcance de calor, óleo, arestas cortantes ou peças em movimento. Fios eléctricos danificados ou emaranhados aumentam o risco de choque eléctrico.
- Verifique se os cabos estão intactos e em bom estado. Se algum cabo da máquina ou ficha estiverem danificados, não use a máquina e leve-a a uma oficina de reparações autorizada para ser reparada.
- Não use uma extensão enquanto enrolada, para evitar sobreaquecimento.
- Quando começar a usar a máquina, certifique-se de que o fio se encontra atrás de si de modo ao fio não sofrer danos.

Segurança do trabalho

- Não deixe nunca a máquina sem vigilância com o motor a trabalhar.
- Ao usar a máquina, trate sempre de ter mais alguém perto de si, de modo a poder pedir ajuda no caso de ocorrer um acidente.
- Mantenha todas as peças em bom estado de funcionamento e certifique-se de que todos os elementos de fixação estão bem apertados.
- A máquina só deve ser colocada em funcionamento quando as cabeças rectificadas estiverem pousadas no chão, a não ser que esteja a realizar um procedimento de teste conforme descrito neste manual.
- A máquina não deve ser colocada em funcionamento sem a protecção de borracha contra poeiras. É essencial a existência de um bom vedante entre a máquina e o chão em matéria de segurança, especialmente quando estiver a funcionar em aplicações de rectificação seca.

Transporte e armazenagem

- É necessário muito cuidado ao deslocar a máquina à mão numa superfície inclinada. Mesmo a inclinação mais ligeira pode originar forças/impulso que impossibilitem a travagem manual da máquina.

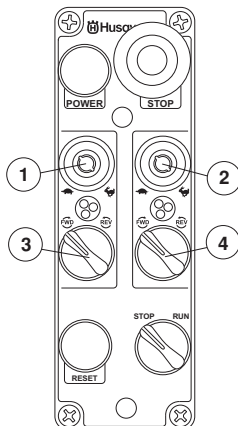
- A máquina não deve ser elevada pela pega, pelo motor, pelo chassi ou por outras partes. A melhor maneira de transportar a máquina é sobre uma palete/patim aos quais a máquina tem de estar firmemente fixa.
- Nunca deve tentar a elevação de máquinas sem meios mecânicos, tais como um guincho ou empilhador.
- Não tente deslizar os dentes/garfos de um empilhador por baixo de cabeças de rectificação a não ser que se encontrem sobre uma paleta/um patim. Se não o fizer, pode provocar danos irreparáveis nas cabeças de rectificação e nas partes internas.
- Fixe o equipamento para transportá-lo, de modo a evitar danos e acidentes durante o transporte.
- Sempre que possível, a máquina deverá ser transportada coberta, limitando-se a exposição aos elementos naturais – em particular chuva ou neve.
- Recomendamos que a máquina seja sempre transportada com um conjunto de diamantes colocado para assegurar a protecção do mecanismo de bloqueio para as placas de diamante.
- Armazene o equipamento numa área que seja possível de trancar, de modo a mantê-lo fora do alcance de crianças e pessoas não autorizadas.
- A máquina deve ser sempre armazenada num local seco quando não estiver a ser utilizada.

Velocidade e direcção

Noções gerais

A cabeça planetária e as cabeças de rectificação funcionam com motores independentes, através da Dual Drive Technology™. Desta forma, o operador controla totalmente a velocidade e o sentido de rotação da cabeça planetária e das cabeças satélites.

A velocidade e o sentido de rotação são definidos através dos comandos do painel de controlo.



OPERAÇÃO

- 1 Controlo da direcção para rotação da cabeça planetária.
- 2 Controlo da velocidade das cabeças rectificadoras.
- 3 Controlo da direcção para rotação da cabeça planetária.
- 4 Controlo da direcção das cabeças rectificadoras.

Velocidade de rotação

Ao ligar a máquina pela primeira vez numa dada aplicação, a definição de velocidade não deve, inicialmente, ultrapassar o nível 7.

Quando o operador estiver familiarizado com a aplicação, a velocidade pode ser aumentada.

Direcção de rotação

Visto a partir da parte de baixo da máquina, o sentido de rotação é o seguinte:

- REV (PARA TRÁS) - Sentido dos ponteiros do relógio.
- FWD (PARA A FRENTE) - Sentido inverso.

A máquina irá 'puxar' num sentido durante o funcionamento. A direcção em que puxa é determinada pela direcção de rotação da cabeça planetária. A cabeça da máquina puxará para a direita (e, portanto, sentir-se-á na anca direita do operador) se a cabeça planetária estiver confi gurada na direcção REVERSE (PARA TRÁS).

O facto de puxar para um lado pode ser muito útil quando estiver a rectificar, particularmente ao longo de uma parede. Coloque a máquina de modo que puxe na direcção da parede, e depois controle a máquina de modo a tocar apenas na parede. Isto assegurará uma rectificação próxima da parede ou do objecto.

ATENÇÃO! A cabeça planetária e as cabeças rectificadoras estão configuradas para rodar na mesma direcção (ou seja, ambas no sentido dos ponteiros do relógio ou ambas no sentido contrário ao dos ponteiros do relógio).

É criada uma maior força de rectificação se tanto a cabeça planetária como as cabeças de discos de rectificação funcionarem no mesmo sentido. O resultado final é uma produtividade superior do que quando os discos estão configurados para funcionar em direcções opostas. É aqui que notará o benefício da Dual Drive Technology™.

Para melhorar a eficácia de corte dos diamantes, mude regularmente a direcção. Isto fará funcionar ambos os lados dos cristais do diamante, mantendo os abrasivos o mais afiados possível criando uma exposição máxima do cristal do diamante.

OPERAÇÃO

Configuração da velocidade e direcção

A configuração da velocidade e da direcção é muitas vezes uma questão de escolha pessoal. Os operadores são incentivados a tentar encontrar as configurações que melhor se apliquem a determinadas aplicações. A tabela que se segue enumera algumas sugestões de configurações para diferentes aplicações.

Área de aplicação	Controlo da direcção para rotação da cabeça planetária.	Controlo da direcção para rotação da cabeça planetária.	Controlo da direcção das cabeças rectificadoras.	Controlo da velocidade das cabeças rectificadoras.
Remoção de adesivo em azulejo de cerâmica	FWD	6-7	FWD	8-10
Remoção de cola em tapetes	FWD	5-7	FWD	8-10
Remoção de tinta epóxi	FWD	5-10	FWD	8-10
Cimento danificado pela chuva	FWD	7-10	FWD	8-10
Aglomerado suavizado exposto	FWD	7-8	FWD	8-10
Remoção de irregularidades em azulejos de pedra natural/de terrazzo	FWD	5-7	FWD	8-10
Polimento de betão com ferramentas de plástico	FWD	10	FWD	8-10
Raspador™ PIRANHA	REW	3-5	REW	3-5
Procedimento de reenchimento durante o processo™ HiPERFLOOR	FWD	8-10	FWD	3-5

ATENÇÃO! Na tabela acima, FWD & FWD aparecem juntos na lista para indicar as configurações da direcção na mesma direcção (ou seja, também pode ser REV/REV). A única aplicação em que as configurações da direcção têm que ter as mesmas direcções e onde a direcção é específica é quando se utiliza as raspadoras PIRANHA™. Nesta aplicação particular a configuração tem que estar na direcção REV/REV.

OPERAÇÃO

Técnicas básicas de trabalho

Noções gerais

As máquinas de alisamento de pisos Husqvarna PG 680/820 foram concebidas para a rectificação húmida ou seca de mármore, terrazzo, granito e cimento. As suas aplicações vão desde o desbaste até um acabamento polido.

Recomendamos vivamente a utilização do sistema de extracção de poeiras Husqvarna DC 6000 para um controlo total das poeiras.

Comandos de velocidade variável/conversores de frequência



ATENÇÃO! O variador de velocidade/conversor de frequência pode ser utilizado apenas por pessoal autorizado. Risco de choque eléctrico!

Cada Husqvarna PG 680 & 820 está equipada com dois comandos de velocidade variável ou um conversor de frequência. Esta unidade está incorporada na máquina pelos seguintes motivos:

Funcional

- Manipular a energia que entra para permitir o aumento/a diminuição da velocidade e a mudança de direcção.
- Regular o fornecimento de corrente e de tensão para os motores para assegurar que os motores funcionem a níveis ideais (por exemplo, propulsão de binário).

Protecção

- Monitoriza a energia que entra para assegurar a adequabilidade da máquina e da aplicação a ser realizada.
- Controla a corrente a ser puxada pelos motores para assegurar que os motores estão a funcionar dentro dos limites de segurança operacionais (para evitar danos no motor).
- Monitoriza a carga sobre a máquina para assegurar que o rectificador não está sobrecarregado, oferecendo assim protecção à correia, aos rolamentos e a outros componentes internos.
- Protege o motor de uma alimentação eléctrica defeituosa (por exemplo, funcionamento bifásico).

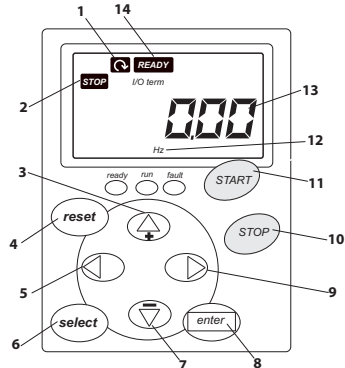
Diagnóstico

- Identifica falhas eléctricas da máquina e regista códigos de falha.
- Tem menus de monitorização que ajudam a isolar a causa de possíveis falhas eléctricas.

Os menus de monitorização também permitem ao operador medir a dureza do trabalho que a máquina está a efectuar. Embora não seja fundamental que um operador conheça pormenorizadamente cada característica dos comandos de velocidade variável ou um dos conversores de frequência, é útil estar familiarizado com os códigos de falha, bem como com alguns dos menus de monitorização.

Teclado/Visor

Cada variador de velocidade ou conversor de frequência possui um teclado que terá o aspecto abaixo ilustrado quando a máquina estiver ligada aos mesmos.



- 1 Direcção de funcionamento (fwd (para a frente) ou rev (para trás))
- 2 Indica se a unidade está parada ou a funcionar
- 3 Tecla para cima
- 4 Botão Reset (Restabelecer)
- 5 Tecla para a esquerda
- 6 Botão de selecção
- 7 Tecla para baixo
- 8 Botão Enter
- 9 Tecla para a direita
- 10 Paragem
- 11 Arranque
- 12 Modo de saída (Hertz neste exemplo)
- 13 Valor de saída
- 14 Indicador de modo de espera

OPERAÇÃO

Ecrã do monitor	Informações fornecidas
OUTPUT FREQUENCY (FREQUÊNCIA DE SAÍDA)	O motor de frequência funciona quando a máquina está a funcionar.
REF. FREQUENCY (FREQUÊNCIA DE REFERÊNCIA)	O mostrador do controlo da velocidade de frequência está definido.
MOTOR SPEED (VELOCIDADE DO MOTOR)	Velocidade do motor quando a máquina está a funcionar.
MOTOR CURRENT (CORRENTE DO MOTOR)	Corrente puxada pelo motor quando a máquina está a funcionar.
MOTOR TORQUE (BINÁRIO DO MOTOR)	Percentagem de binário do motor quando a máquina está a funcionar.
MOTOR POWER (ALIMENTAÇÃO DO MOTOR)	Percentagem de alimentação eléctrica do motor quando a máquina está a funcionar.
MOTOR VOLTAGE (TENSÃO DO MOTOR)	Percentagem de tensão do motor quando a máquina está a funcionar.
DC LINK VOLTAGE (TENSÃO DE LIGAÇÃO DC)	Indica a qualidade da alimentação eléctrica.

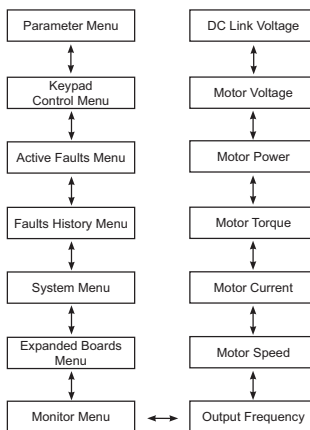
A árvore de menus ilustrada nesta página descreve as opções importantes do menu que fornecem informações úteis para fins de monitorização e de diagnóstico quando utilizar a máquina.

Conforme pode ver-se na árvore de menus à direita, quando a máquina está ligada, os comandos de velocidade variável ou os conversores de frequência estão configurados para exibir a Output Frequency (Frequência de Saída) do motor (um valor zero registará quando a máquina está no modo stand-by (em espera)).

A página de Output Frequency (Frequência de Saída) também está localizada no Monitor Menu (Menu do Monitor).

A partir da coluna do lado esquerdo pode ver-se que os dois menus principais importantes para o operador são o Monitor Menu (Menu do Monitor) e o menu Fault History (Histórico de Falhas).

A navegação através da árvore de menus é feita através das teclas para cima, para baixo, para a esquerda e para a direita do teclado (ver a página anterior).



Menus e informações que fornecem

Os seguintes itens/ecrãs do menu sobre o comando de velocidade variável/conversores de frequência fornecem as seguintes informações úteis para o operador.

OUTPUT FREQUENCY (FREQUÊNCIA DE SAÍDA) (Monitor Menu)

Este ecrã diz ao operador a frequência com que o motor está a funcionar quando a máquina está em funcionamento. O valor da frequência de saída deve ser constante quando a máquina está em funcionamento. Se existir uma flutuação na frequência de saída quando a máquina está em funcionamento, isto indica geralmente que o motor está a funcionar no ou próximo do limite de corrente programado. Os limites de corrente (predeterminados e definidos pela Husqvarna Constructions Products) são os seguintes:

- Motor grande (cuja informação se encontra no comando de velocidade variável/conversor de frequência.) – 25 amps.
- Motor pequeno (cuja informação se encontra no comando de velocidade variável/conversor de frequência.) – 5 amps.

Se existir uma flutuação na frequência de saída quando a máquina está em funcionamento, aconselhamos a verificar também a corrente do motor. Esta pode ser encontrada pressionando 3 vezes a seta UP (para cima) no teclado. Para um funcionamento sem problemas no que diz respeito à corrente, é melhor manter a corrente de saída por volta de 21 amps (para o motor grande). A corrente puxada pelo motor pode ser reduzida, reduzindo a velocidade do motor utilizando o mostrador de velocidade no painel de controlo perto das barras da pega.

Em termos gerais, a maior parte dos problemas de excesso de corrente estará associada ao motor grande

OPERAÇÃO

(sendo portanto monitorizados no comando de velocidade variável grande ou no conversor de frequência). Mantenha a corrente puxada no motor pequeno abaixo de 3,5 amps para conseguir um funcionamento consistente.

MOTOR CURRENT (CORRENTE DO MOTOR) (Monitor Menu)

Este ecrã exibe a tomada de corrente do motor correspondente (ou seja, função de monitorização do comando de velocidade variável grande ou no conversor de frequência do motor grande, função de monitorização do comando de velocidade variável/conversor de frequência do motor pequeno) quando o motor está a trabalhar.

Ver os comentários já apresentados em OUTPUT FREQUENCY (FREQUÊNCIA DE SAÍDA) relacionados com a corrente do motor.

DC LINK VOLTAGE (TENSÃO DE LIGAÇÃO DC) (Monitor Menu)

Este ecrã exibe a qualidade da alimentação eléctrica da máquina. Irá ler valores superiores quando a máquina estiver em stand-by (em espera) e valores inferiores quando a máquina estiver em funcionamento.

FAULT HISTORY

O menu do histórico de falhas guarda a última série de falhas do comando de velocidade variável/conversor de frequência. Se existir um padrão de falhas recorrentes da máquina, as informações podem ser obtidas a partir do menu de histórico de falhas. Para saber mais acerca das falhas, ver a resolução de falhas.

ARRANQUE E PARAGEM

Antes de ligar



ATENÇÃO! Leia as instruções para o uso com toda a atenção e compreenda o seu conteúdo antes de fazer uso da máquina.

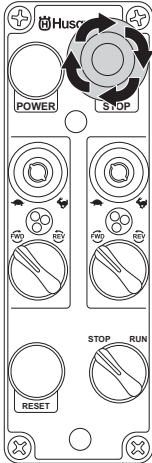
Use equipamento de protecção pessoal. Ver as instruções na secção "Equipamento de protecção pessoal".

Não permita a presença de pessoas estranhas na área de trabalho, sob risco de danos pessoais sérios.

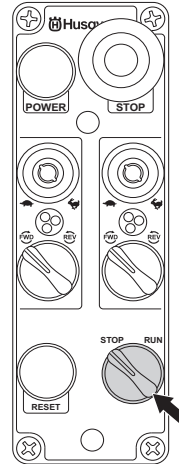
- Verifique que a máquina se encontra correctamente montada e não apresenta sinais de danos. Ver instruções na secção "Montagem e ajustamentos".
- Execute uma manutenção diária. Ver as instruções na secção "Manutenção".

Arranque

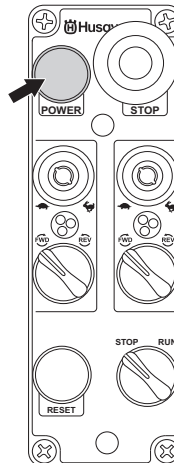
- Verifique se o botão de paragem de emergência não está premido, fazendo-o girar a direcção dos ponteiros do relógio.



- Certifique-se de que o interruptor de PARAGEM/FUNCIÓNAMENTO está definido para STOP.



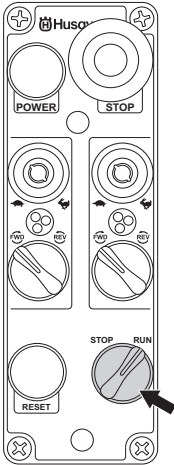
- Prima o botão de alimentação. Ao fazê-lo, deve ouvir um som suave que vem do interior do armário eléctrico. Isto indica que os contactores de linha engataram, fornecendo energia aos comandos/conversores de frequência.



- Reduza a pressão entre o disco de fresagem e a superfície empurrando o guiador sem levantar a fresadora da superfície durante o arranque.
- Coloque a máquina no modo de funcionamento utilizando o interruptor STOP/RUN (PARAGEM/ARRANQUE) no painel de controlo. A máquina deve

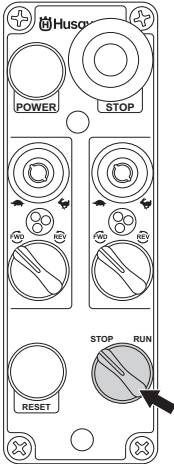
ARRANQUE E PARAGEM

arrancar suavemente e acelerar para a velocidade seleccionada no espaço de 5 segundos.



Paragem

Gire o interruptor de paragem/funcionamento para 'STOP'.



MANUTENÇÃO

Noções gerais



ATENÇÃO! O utente só pode efectuar trabalhos de manutenção e assistência do tipo descrito nestas instruções. Intervenções maiores devem ser efectuadas por uma oficina autorizada.

A máquina deve ser desligada com o cabo de alimentação desconectado da tomada.

Use equipamento de protecção pessoal. Ver as instruções na secção "Equipamento de protecção pessoal".

A duração da máquina pode ser afectada e o perigo de acidentes pode aumentar se a manutenção da máquina não for correcta e se as revisões e reparações não forem executadas de forma profissional. Se necessitar de mais esclarecimentos, entre em contacto com uma oficina autorizada.

Permita ao seu revendedor Husqvarna que verifique a sua máquina com regularidade e faça os ajustamentos e as reparações necessários.

Esquema de manutenção

	Controle diário	Controle semanal	Semestralmente	Após 12 a 36 meses
Limpeza	Limpeza do exterior		Componentes internos da máquina	
Inspeção funcional	Inspeção geral	Sistema de accionamento planetário		
	Cabeças de rectificação			
	Botão de alimentação			
	Interruptor de paragem/funcionamento			
	Paragem de emergência			
	Cobertura de protecção			
Assistência				Sistema de Accionamento de Cabeças Rectificadoras

MANUTENÇÃO

Lista de verificação de manutenção

Verificações mecânicas externas	Tempo necessário (min.)
Incline a unidade para trás. Verifique a presença de ferramentas de diamante e remova as mesmas	2
Verifique a cobertura quanto a danos que afectem a rotação planetária, a rotação satélite, a eficiência da vedação planetária e a eficácia da extracção	5
Desligue o accionamento planetário para reduzir o ruído de funcionamento. Coloque os discos a funcionar em toda a gama de velocidades procurando ruídos provocados por rolamentos partidos	5
Desligue o motor pequeno e coloque os discos a funcionar a baixa velocidade para verificar o funcionamento dos mes	5
Verifique o estado da correia e se o interior da máquina está limpo	10
Verifique os bloqueios das cabeças e aperte-os, se necessário (3 por satélite)	5
Verifique o movimento dos satélites. Se não estiverem a funcionar correctamente, desmonte todas as cabeças.	15
Verifique cuidadosamente a mola de aço e o amortecimento da mola quanto a desgaste	10
Verifique o desgaste nos vedantes de poeiras	5
Desligue o motor grande e substitua o motor pequeno. Coloque a cabeça planetária a funcionar em toda a gama de velocidades e ouça o seu funcionamento.	5
Verifique o estado do pinhão e do anel da cadeia da caixa de transmissão planetária. Substitua, se necessário.	5
Quando o accionamento planetário for removido, verifique se existem poeiras na superfície superior. Verifique o estado da vedação da cabeça planetária. Substitua, se necessário.	20

Limpeza



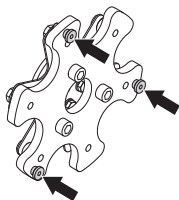
ATENÇÃO! Não limpe a máquina com um jacto de água ou dispositivo semelhante.

Limpeza do exterior

Inspecção funcional

Inspecção geral

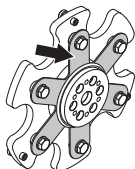
- Verifique se o fio e a extensão estão intactos e em bom estado.
- Verifique se os parafusos e porcas estão apertados.
- Verifique se os bloqueios da cabeça estão apertados. Aperte os bloqueios da cabeça e, se necessário, coloque novamente no composto de bloqueio da rosca (Composto de bloqueio da rosca sugerido Loctite 680).



Cabeças de rectificação

Durante um período de tempo prolongado a mola de aço da mola desgasta-se e os 'dedos' de aço da mola começam a partir. Isto provoca movimento irregular no interior das cabeças rectificadoras e causará vibração quando a máquina estiver a trabalhar.

Recomendam-se inspecções de rotina relativamente a 'dedos' partidos nas cabeças rectificadoras de mola de aço. A duração prevista das cabeças rectificadoras pode variar entre 6 e 12 meses, dependendo da frequência de utilização.



Estão disponíveis molas de aço da mola de substituição que podem substituir-se sem deitar fora a cabeça rectificadora.

Também se podem tornar menos flexíveis as cabeças de mola de aço acrescentando uma segunda mola de aço da mola.

Sistema de accionamento planetário

O sistema de accionamento planetário é constituído por um pinhão (que faz funcionar o anel da cadeia) e o anel da cadeia. Este sistema é um sistema seco (ou seja, não é necessária lubrificação entre a roda motora e o anel da correia), para permitir que qualquer poeira que entre em contacto com o anel da correia caia novamente.

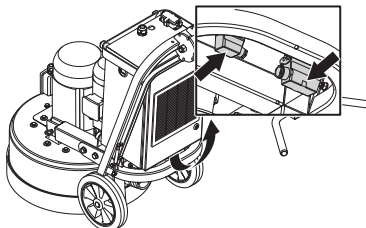
ATENÇÃO! A lubrificação deste sistema causará a formação de pó no anel da correia e encurtará drasticamente a duração do anel da correia e da roda motora planetária.

O anel da correia e a roda motora planetária encontram-se entre a tampa da máquina, no entanto, no exterior da máquina, existe a probabilidade de estarem expostos a pó e a outros resíduos gerados durante o processo de rectificação.

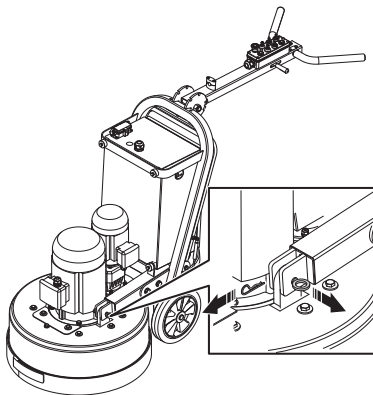
Para evitar isto o máximo possível, instalou-se um vedante planetário para evitar que o pó e outras partículas entrem em contacto com o sistema de accionamento planetário.

Verificação da vedação planetária

- Desligue o cabo de alimentação do motor planetário e o motor de rectificação.



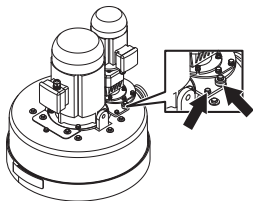
- Puxe o pino para fora.



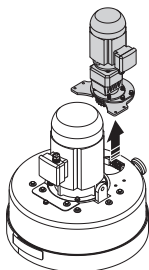
- Segure o chassis e remova o pino de montagem.

MANUTENÇÃO

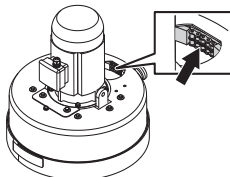
- Retire os parafusos.



- Levante a unidade de motor/engrenagem.



- Verifique se existe acumulação de pó aqui. Se o vedante planetário estiver a funcionar eficazmente, dever-se-á observar uma quantidade muito pequena de pó debaixo da tampa da máquina. Se existir uma acumulação de 5-6 mm, então é mais do que provável que esteja na altura de retirar a tampa da máquina e verificar o estado do vedante planetário.



- Retire os parafusos.



ATENÇÃO! Antes de retirar a placa da cobertura do tensor da correia, certifique-se de que a placa da cobertura e a área em volta da placa da cobertura estejam totalmente limpos. Evite a entrada de sujidade no interior da máquina.

- Levante a tampa da máquina para ver o anel da correia e o vedante planetário.
- Se o vedante planetário estiver gasto ou se for necessário substituí-lo, contacte o seu distribuidor da Husqvarna Construction Products para obter um kit de substituição de vedante planetário novo.

Assistência



CUIDADO! Todos os tipos de reparações só devem ser efectuados por reparadores autorizados. Isso é fundamental para evitar que os operadores sejam expostos a situações de grande risco.

Sistema de Accionamento de Cabeças Rectificadoras

Como os discos rectificadores são accionados pelo motor grande através de uma correia interna, e devido à correia estar selada no interior da máquina, não é necessário fazer a manutenção deste sistema de accionamento até que seja necessário uma assistência maior (substituição da correia e do rolamento). Geralmente após 12-36 meses de funcionamento.

É preciso ter em conta que algumas aplicações são mais exigentes do que outras. Isto, por sua vez, influencia o tempo de funcionamento antes de ser necessária uma manutenção interna. Leve o equipamento para uma oficina de reparações autorizada.

MANUTENÇÃO

Falhas e sua resolução

A tabela seguinte descreve alguns dos problemas que podem ocorrer ao utilizar rectificadoras PG e uma lista de possíveis soluções.

Problema	Causa Possível	Possível Solução
É DIFÍCIL SEGURAR NO RECTIFICADOR	Não existem diamantes suficientes soba máquina (se estiver a rectificar pisos suaves ou com cola espessa, diamantes a menos sob a máquina aumentam a carga para o rectificador e para o operador). Normalmente acompanhado por tomada de corrente elevada por um motor grande.	Aumente o número de diamantes sob a máquina para reduzir a carga para o rectificador e para o operador.
	O motor grande não está a funcionar (isto pode ser provocado por falha no motor, falha nas ligações do motor, ou falha no comando de velocidade variável ou no conversor de frequência grande).	Verifique se o motor grande está ligado à corrente. Verifique se não existem falhas no comando de velocidade variável grande ou no conversor de frequência. Verifique se o comando de velocidade variável grande ou o conversor de frequência grande está a funcionar correctamente (desligue os dois motores da corrente, coloque o visor do teclado em Output Frequency (Frequência de Saída), coloque a máquina em RUN (EM FUNCIONAMENTO), ver se os números no ecrã mudam a partir do zero e começam a contagem crescente. Se os números ficarem em zero, é porque o comando de velocidade variável grande ou o conversor de frequência não está a receber o comando de funcionamento do interruptor no painel de controlo. A máquina precisa de ser verificada por um electricista ou pela Husqvarna Construction Products.
	A correia de transmissão está a derrapar.	Retire a placa de cobertura do tensor da correia na parte inferior da máquina e verifique se não existe água ou poeira na parte interior da máquina que possa estar a fazer com que a correia derrape nas polias de transmissão.
	A correia de transmissão está partida (isto pode ser confirmado rodando uma das cabeças rectificadoras à mão. Se todas as cabeças rectificadoras rodarem em conjunto, é porque a correia não está partida. Se só rodar uma cabeça rectificadora, é porque a correia está partida).	Substitua a correia de transmissão interna.
	Apenas 1 fase chega à máquina, não ocorre uma falha na máquina e esta consome uma corrente do motor < 1 A, a ventoinha gira lentamente.	Verifique a alimentação eléctrica.
	A aplicação ou a utilização da máquina exige demasiado da capacidade da máquina	Em algumas aplicações, mesmo que tenham sido seleccionados o número e o tipo de diamantes correctos, pode ainda ser necessário diminuir a velocidade de ambos os motores e a velocidade de avanço da máquina em todo o piso.

MANUTENÇÃO

<p>O RECTIFICADOR PARECE ESTAR COM ACELERAÇÃO EXCESSIVA</p>	<p>O motor de transmissão planetária pequeno não está ligado à corrente.</p>	<p>Verifique se o motor de transmissão planetária pequeno está ligado à corrente.</p>
	<p>O motor pequeno não funciona (tal pode ser provocado por falha no motor, falha na ligação ao motor, ou falha no variador de velocidade pequeno ou no conversor de frequência).</p>	<p>Verifique se o motor pequeno está ligado à corrente. Verifique se não existem falhas no comando de velocidade variável pequeno ou no conversor de frequência. Verifique se o comando de velocidade variável pequeno ou o conversor de frequência está ligado. Verifique se o comando de velocidade variável ou o conversor de frequência pequeno está a funcionar correctamente (desligue os dois motores da corrente, coloque o visor do teclado em Output Frequency (Frequência de Saída), coloque a máquina em RUN (EM FUNCIONAMENTO), ver se os números no ecrã mudam a partir do zero e começam a contagem crescente. Se os números ficarem em zero, é porque o comando de velocidade variável pequeno ou o conversor de frequência não está a receber o comando de funcionamento do interruptor no painel de controlo. A máquina precisa de ser verificada por um electricista ou pela Husqvarna Construction Products.</p>
	<p>O motor grande não funciona. Isto pode ser causado por falha no motor, falha na ligação eléctrica ao motor ou falha no variador de velocidade.</p>	<p>Certifique-se de que não existem falhas nos variadores de velocidade pequeno ou grande. Se necessário, reponha o painel de controlo da barra do guiador.</p>
<p>A RECTIFICADOR A DEIXA UM PADRÃO IRREGULAR</p>	<p>Os diamantes podem não ter sido instalados correctamente ou pode haver diamantes com alturas diferentes nas cabeças de rectificação. As ferramentas de diamante podem estar misturadas.</p>	<p>Certifique-se de que todos os diamantes estão correctamente instalados e que se encontram à mesma altura. Verifique se todos os segmentos têm os mesmos grãos abrasivos e ligante. No caso de segmentos de diamantes desiguais, reparta os diamantes desiguais uniformemente e coloque a máquina a funcionar numa superfície abrasiva até que todos os segmentos tenham a mesma altura.</p>
	<p>Os bloqueios das cabeças podem estar soltos ou em falta.</p>	<p>Certifique-se de que todos os bloqueios das cabeças estão presentes e apertados.</p>
	<p>As ferramentas resinóides podem estar misturadas ou terem sido contaminadas.</p>	<p>Assegure-se de que todas as resinas possuem os mesmos grãos abrasivos e não se encontram contaminadas. Para limpar as resinas, coloque-as a funcionar brevemente sobre uma superfície ligeiramente abrasiva.</p>
	<p>As cabeças de rectificação podem estar danificadas ou desgastadas.</p>	<p>Verifique a existência de peças partidas nas cabeças de rectificação ou movimento excessivo.</p>
<p>O RECTIFICADOR ESTÁ AOS SALTOS</p>	<p>Pode ser que as cabeças rectificadoras estejam gastas ou danificadas.</p>	<p>Verifique as cabeças rectificadoras em relação a partes partidas ou a excesso de movimento.</p>
	<p>Os diamantes podem não estar correctamente encaixados ou as cabeças rectificadoras podem ter diamantes com alturas diferentes.</p>	<p>Verifique para assegurar que todos os diamantes estão correctamente encaixados e se estão à mesma altura.</p>
	<p>Os bloqueios da cabeça podem estar soltos ou em falta.</p>	<p>Verifi que se todos os bloqueios da cabeça estão presentes e apertados.</p>
	<p>O motor pequeno não funciona (tal pode ser causado por falha no motor, falha na ligação eléctrica ao motor ou falha no variador de velocidade pequeno)</p>	<p>Verifique se o variador de velocidade pequeno está ligado. Certifique-se de que não existem falhas no variador de velocidade pequeno. Se necessário, reponha o painel de controlo junto das barras do guiador. Assegure-se de que o variador de velocidade está a funcionar correctamente (desligue ambos os motores, configure o visor do teclado para apresentar a frequência, coloque o interruptor da máquina em RUN e verifique se os números no ecrã mudam de zero e se a contagem é iniciada. Se os números ficarem em zero, significa que o variador de velocidade não está a receber o comando de execução do interruptor do painel de controlo.) A máquina precisa de ser verificada por um electricista ou uma oficina autorizada Husqvarna.</p>

MANUTENÇÃO

Tabela de detecção de falhas

Problema/Código de Falha	Causa Possível	Possível Solução
A máquina não liga	O cabo de alimentação não tem tensão	Verifique se a alimentação está ligada
	O botão de PARAGEM DE EMERGÊNCIA está activado	Gire o botão de paragem de emergência para o desactivar
	O disjuntor de segurança está aberto no painel eléctrico	Feche o disjuntor para completar o circuito
	Problema com o contactor na parte de trás do botão POWER	Verifique se os fios estão ligados e seguros na parte de trás do botão POWER, de acordo com o esquema do modelo da máquina. Verifique se o contactor é accionado ao premir o botão POWER.
O ecrã inicial (V1.1) não muda de 0,00 Hz nos variadores de velocidade quando comuto a máquina de STOP para RUN	Problema com a ligação dos fios ao interruptor de PARAGEM/FUNCIÓNAMENTO ou com o contactor na parte de trás do interruptor de PARAGEM/FUNCIÓNAMENTO	Verifique se os fios do interruptor de paragem/ arranque no painel de controlo estão ligados e seguros e se são activados e desactivados quando o interruptor é ligado.
O ecrã inicial (V.1.1) mantém-se a 0,00 Hz em apenas um dos variadores de velocidade quando comuto a máquina de STOP para RUN	Problema com a ligação eléctrica do interruptor de PARAGEM/FUNCIÓNAMENTO aos interruptores de AVANÇO/RETROCESSO	Verifique se os fios de ligação entre o interruptor de PARAGEM/FUNCIÓNAMENTO e os interruptores de AVANÇO/RETROCESSO estão ligados e seguros, conforme o esquema do modelo da máquina
	Problema com a ligação do fio do interruptor de AVANÇO/RETROCESSO ao conversor de frequência ou com o contactor na parte de trás do interruptor de AVANÇO/RETROCESSO	Verifique se os fios de ligação entre os interruptores de AVANÇO/RETROCESSO e o conversor de frequência estão seguros e correctos, conforme o esquema do modelo da máquina. Verifique se o contactor é completamente activado e desactivado quando o interruptor é ligado.
O ecrã inicial de referência de frequência (V1.1.2) não vai até 80 Hz no variador de velocidade grande	Problema com o potenciómetro da velocidade das cabeças no painel de controlo junto das barras do guiador	Verifique os fios do potenciómetro, de acordo com o esquema do modelo de máquina. Substitua o potenciómetro, se necessário.
	Problema nas comunicações eléctricas com o variador de velocidade	Verifique o cabo do painel de controlo e o cabo do variador de velocidade quanto a danos
	Problema com os dados e a programação do variador de velocidade	Reprogramação necessária. A máquina tem de ser verificada por uma oficina autorizada Husqvarna
O ecrã inicial de referência de frequência (V1.1.2) não vai até 120 Hz no variador de velocidade pequeno	Problema com o potenciómetro de velocidade dos discos no painel de controlo junto das barras do guiador	Verifique os fios do potenciómetro, de acordo com o esquema do modelo de máquina. Substitua o potenciómetro, se necessário.
	Problema nas comunicações eléctricas com o variador de velocidade	Verifique o cabo do painel de controlo e o cabo do variador de velocidade quanto a danos
	Problema com os dados e a programação do variador de velocidade	Reprogramação necessária. A máquina tem de ser verificada por uma oficina autorizada Husqvarna
O ecrã inicial de referência de frequência (V1.1.2) não vai até 100 Hz no variador de velocidade	Problema com o potenciómetro de velocidade dos discos no painel de controlo junto das barras do guiador	Verifique os fios do potenciómetro, de acordo com o esquema do modelo de máquina. Substitua o potenciómetro, se necessário.
	Problema nas comunicações eléctricas com o variador de velocidade	Verifique o cabo do painel de controlo e o cabo do variador de velocidade quanto a danos
	Problema com os dados e a programação do variador de velocidade	Reprogramação necessária. A máquina tem de ser verificada por uma oficina autorizada Husqvarna
A tensão do circuito CC (visor V1.18) é inferior a 550 +/- 5 V quando a máquina está no modo de espera	Fonte de alimentação fraca na entrada para o variador de velocidade	Verifique a tensão e as fases da máquina rectificadora no primeiro ponto da potência de saída para a rectificadora

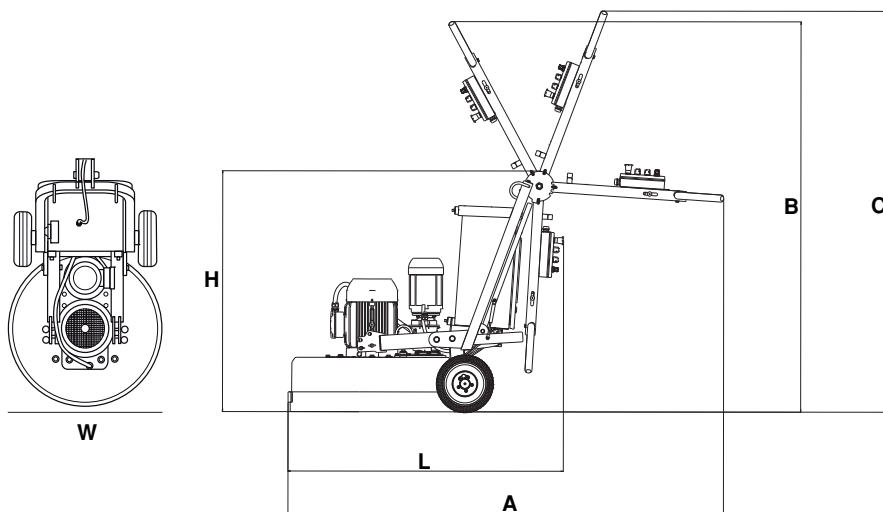
MANUTENÇÃO

<p>A tensão do circuito CC (ecrã V1.18) é inferior a 550 +/- 5 V quando a máquina está em funcionamento</p>	<p>Fonte de alimentação fraca na entrada para o variador de velocidade</p>	<p>Verifique a tensão e as fases da máquina rectificadora no primeiro ponto da potência de saída para a rectificadora, incluindo ligações eléctricas no contactor e entrada do variador de velocidade</p>
<p>A luz vermelha acende-se no painel de controlo durante o funcionamento</p>	<p>Os códigos de falha são exibidos no ecrã do visor no painel eléctrico</p>	<p>Verifique o código de falha no ecrã do visor e tome medidas em conformidade</p>
<p>É apresentada a indicação F1.1 no painel do ecrã - Corrente excessiva</p>	<p>O motor trabalhou demasiado, consumindo corrente extra</p>	<p>Verifique se a corrente é consumida quando a máquina está em funcionamento. Reduza a definição de velocidade e consumo de corrente para limites aceitáveis, conforme indicado no manual diagnóstico eléctrico</p>
	<p>Curto-circuito entre fases no lado de saída dos variadores de velocidade</p>	<p>Verifique a cablagem nas fichas ligadas a cabos do motor ou dentro das caixas de ligação dos motores</p>
	<p>Fase de entrada L1 ausente no contactor</p>	<p>Verifique a cablagem de entrada nas fichas de alimentação e no contactor</p>
	<p>Falha interna do motor (raro)</p>	<p>Solicite um teste do motor. Substitua-o, se necessário.</p>
<p>É apresentada a indicação F1.3 no painel do ecrã - Falha de ligação à terra</p>	<p>Curto-circuito entre fases no lado de saída dos variadores de velocidade</p>	<p>Verifique a existência de fios de ligação à terra soltos na cablagem das fichas ligadas a cabos do motor e dentro das caixas de terminais dos motores</p>
	<p>Falha no motor (raro)</p>	<p>Solicite um teste do motor. Substitua-o, se necessário.</p>
<p>É apresentada a indicação F1.9 no painel do ecrã - Tensão insuficiente</p>	<p>Alimentação insuficiente de tensão para a máquina</p>	<p>Verifique a alimentação e assegure uma tensão correcta. Verifique a fonte de alimentação na parede.</p>
	<p>A fonte de alimentação para variadores de velocidade foi desligada</p>	<p>Volte a ligar a alimentação à rectificadora. Verifique o circuito CC (ecrã V.1.18) tanto em modo de espera (550 +/- 5) como em modo de funcionamento (500 +/- 5)</p>
<p>É apresentada a indicação F1.11 no painel do ecrã - Supervisão da fase de saída</p>	<p>Curto-circuito no lado de saída dos variadores de velocidade. Falta de corrente numa das fases de alimentação do motor.</p>	<p>Verifique a cablagem nas fichas ligadas aos cabos do motor e dentro das caixas de terminais dos motores</p>
<p>É apresentada a indicação F1.14 no painel do ecrã - Temperatura excessiva da unidade</p>	<p>Os variadores de velocidade têm uma temperatura excessiva devido às altas temperaturas no ambiente de trabalho ou sensor de temperatura avariado</p>	<p>Abra a porta do painel eléctrico para aumentar a ventilação. Se necessário, envie os variadores de velocidade para serem testados por uma oficina autorizada Husqvarna.</p>
<p>É apresentada a indicação F1.15 no painel do ecrã - Motor parado</p>	<p>A protecção de paragem do motor disparou; o motor está a trabalhar demasiado e a consumir corrente extra</p>	<p>Verifique a corrente consumida com a máquina em funcionamento. Reduza as definições de velocidade do motor através dos potenciômetros do painel de controlo junto das barras do guiador e volte a um consumo de corrente dentro de limites aceitáveis de acordo com a 'Frequência de saída dos menus de monitorização'</p>
	<p>Encravamento mecânico entre discos rectificadores sob a cabeça de rectificação</p>	<p>Incline a máquina para trás e inspecione os discos de rectificação quanto a elementos estranhos. Rode os discos de rectificação à mão, para verificar se existe congestionamento. Assegure-se de que os três discos de rectificação giram em conjunto. Se um dos discos de rectificação girar individualmente, significa que a quebra de uma correia está a provocar um encravamento interno. Contacte uma oficina autorizada Husqvarna.</p>
	<p>Encravamento mecânico no accionamento planetário</p>	<p>Incline a máquina para trás e tente girar a cabeça planetária com a mão para verificar se existe congestionamento. Esta deve estar fixa, mas não deverá ser impossível fazê-lo. Remova a tampa e limpe quaisquer detritos.</p>
<p>É apresentada a indicação F1.16 no painel do ecrã - Excesso de temperatura do motor</p>	<p>O motor trabalhou demasiado, consumindo corrente extra</p>	<p>Verifique a corrente consumida com a máquina em funcionamento. Reduza as definições de velocidade do motor através dos potenciômetros do painel de controlo junto das barras do guiador e volte a um consumo de corrente dentro de limites aceitáveis de acordo com a 'Frequência de saída dos menus de monitorização'</p>

ESPECIFICAÇÕES TÉCNICAS

Especificações técnicas

	PG 680 EU/AU	PG 680 JP	PG 820 EU/AU	PG 820 JP
Potência do Motor, kW/hp	12,5/17	12,5/17	12,5/17	12,5/17
Corrente nominal, A	27	43	27	43
Tensão nominal, V	380-440	200-220	380-440	200-220
Fases	Trifásico	Trifásico	Trifásico	Trifásico
Largura de rectificação, mm/polegadas	680/27	680/27	820/32	820/32
Disco rectificador, mm/polegadas	3x230/3x9	3x230/3x9	3x270/3x10,5	3x270/3x10,5
Pressão de rectificação total, kg/lbs	269/590	269/590	290/640	290/640
Pressão de rectificação por disco, kg/lbs	90/200	90/200	97/213	97/213
Potência por disco rectificador, kW/hp	4,15/5,7	4,15/5,7	4,15/5,7	4,15/5,7
Velocidade do disco rectificador, rpm	300-1200	300-1200	250-1100	250-1100
Velocidade da cabeça planetária, rpm	10-60	20-75	7,5-50	15-60
Direcção de rotação	Controlo de direcção FWD/REV independente nos discos rectificadores e na cabeça planetária.			
Peso, kg/lb	400/880	395/870	455/1000	455/1000
Dimensões, (LxWxH), mm/polegadas (Pega rebatida)	1260x715x1260 / 50x28x50	1260x715x1260 / 50x28x50	1320x835x1260 / 52x33x50	1320x835x1260 / 52x33x50
Dimensões, A,B,C, mm/pol. (punho estendido)	2102, 1969, 2022 / 83, 77.5, 79.5	2102, 1969, 2022 / 83, 77.5, 79.5	2223, 1969, 2022 / 87.5, 77.5, 79.5	2223, 1969, 2022 / 87.5, 77.5, 79.5



ESPECIFICAÇÕES TÉCNICAS

	PG 680	PG 820
Emissões de ruído (ver nota 1)		
Nível de potência sonora, medido em Lw (dB(A))	101	101
Níveis acústicos (ver nota 2)		
Nível de pressão acústica junto ao ouvido do utilizador, Lp (dB(A))	82	82
Níveis de vibração (ver nota 3)		
Punho direito, m/s ²	2,7	2,7
Punho esquerdo, m/s ²	4,8	4,8

Nota 1: Emissões sonoras para as imediações, medidas sob forma de potência sonora (L_{WA}) conforme a EN 60335-1 e EN 60335-2-72.

Nota 2: Nível de ruído em conformidade a EN 60335-1 e EN 60335-2-72. Os dados registados para o nível de pressão de ruído equivalente para a máquina tem uma dispersão estatística típica (desvio padrão) de 1 dB (A).

Nota 3: Nível de vibração em conformidade com a EN 60335-1 e EN 60335-2-72. Os dados registados para o nível de vibração equivalente têm uma dispersão estatística típica (desvio padrão) de 1 m/s²

Certificado CE de conformidade

(Válido unicamente na Europa)

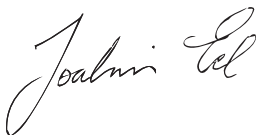
A **Husqvarna AB**, SE-561 82 Huskvarna, Suécia, tel: +46-36-146500, declara, sob exclusiva responsabilidade, que a fresadora de superfícies **Husqvarna PG 820, PG 680**, com números de série a partir de 2016 (o ano é claramente indicado na etiqueta de tipo, seguido pelo número de série), está em conformidade com os requisitos da DIRECTIVA DO CONSELHO:

- de 17 de Maio de 2006 "referente a máquinas" **2006/42/CE**.
- de 26 de Fevereiro de 2014 "referente a compatibilidade electromagnética" **2014/30/EU**.
- de 26 de fevereiro de 2014 "relativa a equipamento elétrico destinado a ser utilizado dentro de determinados limites de tensão" **2014/35/UE**.
- de 8 de junho de 2011 "relativa à restrição do uso de determinadas substâncias perigosas" **2011/65/UE**.

Foram respeitadas as normas seguintes: EN 55014-1:2000+A2:2002, EN 55014-2:1997+A1:2001, EN 61000-3-2:2000+A2:2005, EN 61000-3-3:1995+A2:2005.

Da máquina é idêntico ao exemplar que foi objecto dos procedimentos de controlo de conformidade CEE.

Gotemburgo, 26 de Fevereiro de 2016



Joakim Ed

Diretor de I&D global

Construction Equipment Husqvarna AB

(Representante autorizado da Husqvarna AB e responsável pela documentação técnica.)

ΕΠΕΞΗΓΗΣΗ ΣΥΜΒΟΛΩΝ

Σύμβολα πάνω στο μηχανήμα

ΠΡΟΕΙΔΟΠΟΙΗΣΗ! Το μηχάνημα μπορεί να γίνει επικίνδυνο. Η απρόσεχτη ή λανθασμένη χρήση μπορεί να έχει ως αποτέλεσμα σοβαρό ή θανάσιμο τραυματισμό του χειριστή ή άλλων ατόμων.

Διαβάστε προσεκτικά τις Οδηγίες χρήσεως και κατανοήστε το περιεχόμενο πριν χρησιμοποιήσετε το μηχάνημα.

Χρησιμοποιείτε ατομικό προστατευτικό εξοπλισμό. Βλ. τις οδηγίες στο κεφάλαιο "Ατομικός προστατευτικός εξοπλισμός"

ΠΡΟΕΙΔΟΠΟΙΗΣΗ! Κατά το τρόχισμα δημιουργείται σκόνη, η οποία μπορεί να προκαλέσει τραυματισμούς σε περίπτωση εισπνοής της. Χρησιμοποιείτε εγκεκριμένη μάσκα αναπνοής. Φροντίζετε να υπάρχει πάντα καλός αερισμός.

Αυτό το προϊόν είναι σύμφωνο με τις ισχύουσες οδηγίες της ΕΚ.

Περιβαλλοντική σήμανση. Το σύμβολο στο προϊόν ή στη συσκευασία του υποδηλώνει ότι η απόρριψη αυτού του προϊόντος δεν μπορεί να γίνει όπως με τα οικιακά απορρίμματα.

Φροντίζοντας για τη σωστή απόρριψη αυτού του προϊόντος μπορείτε να συμβάλετε στην αντιμετώπιση τυχόν αρνητικών επιπτώσεων στο περιβάλλον και στους ανθρώπους, οι οποίες μπορεί να προκληθούν από την εσφαλμένη μεταχείριση των απορριμάτων αυτού του προϊόντος.

Για πιο αναλυτικές πληροφορίες σχετικά με την ανακύκλωση αυτού του προϊόντος, επικοινωνήστε με τη δημοτική σας αρχή, με την υπηρεσία διαχείρισης απορριμάτων ή με το κατάστημα στο οποίο έγινε η αγορά του.

Τα υπόλοιπα σύμβολα/επιγραφές του μηχανήματος αναφέρονται σε ειδικές απαιτήσεις για εκπλήρωση προδιαγραφών έγκρισης σε ορισμένες αγορές.



Επεξήγηση επιπέδων προειδοποίησης

Οι προειδοποιήσεις διακρίνονται σε τρία επίπεδα.

ΠΡΟΕΙΔΟΠΟΙΗΣΗ!



ΠΡΟΕΙΔΟΠΟΙΗΣΗ! Χρησιμοποιείται όταν υπάρχει κίνδυνος σοβαρού τραυματισμού ή θανάτου του χειριστή ή πρόκλησης ζημίας στον εξοπλισμό και τον περιβάλλοντα χώρο, εάν δεν τηρούνται οι οδηγίες που παρέχονται στο εγχειρίδιο.

ΠΡΟΣΟΧΗ!



ΠΡΟΣΟΧΗ! Χρησιμοποιείται όταν υπάρχει κίνδυνος τραυματισμού του χειριστή ή πρόκλησης ζημίας στον εξοπλισμό και τον περιβάλλοντα χώρο, εάν δεν τηρούνται οι οδηγίες που παρέχονται στο εγχειρίδιο.

ΣΗΜΕΙΩΣΗ!



ΣΗΜΕΙΩΣΗ! Χρησιμοποιείται όταν υπάρχει κίνδυνος βλάβης στα υλικά ή το μηχάνημα, εάν δεν τηρούνται οι οδηγίες που παρέχονται στο εγχειρίδιο.

ΠΕΡΙΕΧΟΜΕΝΑ

Περιεχόμενα

ΕΠΕΞΗΓΗΣΗ ΣΥΜΒΟΛΩΝ

Σύμβολα πάνω στο μηχανήμα	99
Επεξήγηση επιπέδων προειδοποίησης	99

ΠΕΡΙΕΧΟΜΕΝΑ

Περιεχόμενα	100
-------------------	-----

ΠΑΡΟΥΣΙΑΣΗ

Αγαπητέ πελάτη!	101
Σχεδιασμός και λειτουργίεσ	101

ΠΑΡΟΥΣΙΑΣΗ

Τι είναι τι στο τροχιστικό;	103
-----------------------------------	-----

ΕΞΟΠΛΙΣΜΟΣ ΑΣΦΑΛΕΙΑΣ ΤΟΥ ΜΗΧΑΝΗΜΑΤΟΣ

Γενικά	104
Κουμπί POWER	104
Διακόπτης STOP/RUN	104
Διακοπή έκτακτης ανάγκης	105
Κουμπί επαναφοράς	105

ΣΥΝΑΡΜΟΛΟΓΗΣΗ ΚΑΙ ΡΥΘΜΙΣΕΙΣ

Γενικά	106
Αλλαγή/τοποθέτηση των διαμαντιών	106
Ύψος λαβής	107
Συνδέστε το μηχάνημα	107

ΟΔΗΓΟΣ ΤΡΟΧΙΣΜΑΤΟΣ

Κεφαλές λείανσης	108
Στοιχεία διαμαντιού	108
Πλήρεις και μισές σειρές διαμαντιών	109
Καθορισμός τες σκληρότητας του σκυροδέματος	110
πιλογή διαμαντιού	111

ΛΕΙΤΟΥΡΓΙΑ

Προστατευτικός εξοπλισμός	112
Γενικές οδηγίες ασφάλειας	112
Ταχύτητα και κατεύθυνσεσ	115
Βασικές τεχνικές εργασίασ	117
Μεχανισμοί μετάδοσεσ κίνεσεσ μεταβλετής ταχύτετασ/ μετατροπέεσ συχνότετασ	117

ΞΕΚΙΝΗΜΑ ΚΑΙ ΣΤΑΜΑΤΗΜΑ

Προτού ξεκινήσετε	120
Εκκίνηση	120
Σταμάτημα	121

ΣΥΝΤΗΡΗΣΗ

Γενικά	122
Πρόγραμμα συντήρησησ	122
Λίστα ελέγχου συντήρησησ	123
Καθαρισμός	124
Ελεγχος λειτουργίασ	124
Σφάλματα και αντιμετώπισεσ προβλεμάτω	126

ΤΕΧΝΙΚΑ ΣΤΟΙΧΕΙΑ

Τεχνικά στοιχεία	131
EK–Βεβαίωση συμφωνίασ	132

Αγαπητέ πελάτη!

Σας ευχαριστούμε που επιλέξατε ένα προϊόν της Husqvarna!

Ελπίζουμε να μείνετε ικανοποιημένοι από το μηχανήμα σας και ότι θα γίνει ο βοηθός σας που θα σας συνοδεύει για μεγάλο χρονικό διάστημα. Ε αγορά ενός από τα προϊόντα μας σας παρέχει πάντα πρόσβαση σε επαγγελματική βοήθεια με επιδιορθώσεις και σέρβις. Εάν ε αντιπροσωπεία που αγοράσατε το μηχανήμα δεν έχει εξουσιοδοτημένο συνεργείο, τότε ρωτήστε τους για το πλεσιέστερο συνεργείο εξυπερέτεςες.

Ελπίζουμε αυτό το εγχειρίδιο χρήσης να σας φανεί ιδιαίτερα χρήσιμο. Βεβαιωθείτε ότι το εγχειρίδιο είναι πάντα διαθέσιμο στο χώρο εργασίας. Τερώντας όσα αναφέρονται σε αυτό (χρήση, επισκευή, συντήρηση, κλπ.) μπορείτε αισθετά να επιμεκύνετε τε ζωή του καθώς και τον μεταπωλετική του αξία. Αν πουλήσετε το μηχανήμα σας, ψροντίστε να δώσετε στον νέο κάτοχο και το εγχειρίδιο οδεγιών.

Πάνω από 300 χρόνια καινοτομίας

Η Husqvarna AB είναι μία Σουηδική με παράδοση που ανάγεται στο 1689, όταν ο Σουηδός Βασιλιάς Κάρολος XI διέταξε την κατασκευή ενός εργοστασίου για την παραγωγή μουσκέτων. Την εποχή εκείνη, είχαν ήδη μπει τα θεμέλια για τις μηχανολογικές ικανότητες πίσω από την ανάπτυξη κάποιων από τα κορυφαία προϊόντα του κόσμου, σε τομείς όπως τα κυνηγετικά όπλα, τα ποδήλατα, τις μοτοσυκλέτες, τις οικιακές συσκευές, τις ραπτομηχανές και άλλα προϊόντα εξωτερικών δραστηριοτήτων.

Η Husqvarna αποτελεί τον παγκόσμιο ηγέτη στον τομέα του εξωτερικού εξοπλισμού ισχύος για τη δασοκομία, τη συντήρηση πάρκων και τη φροντίδα γρασιδιού και κήπων, καθώς επίσης και τον τομέα του εξοπλισμού κοπής και των αδαμαντοφόρων εργαλείων τόνρευσης για τις βιομηχανίες κατασκευών και καταργασίας λίθων.

Ευθύνη του ιδιοκτήτη

Αποτελεί ευθύνη του ιδιοκτήτη/εργοδότη να διασφαλίσει ότι ο χειριστής διαθέτει επαρκή γνώση σχετικά με τον ασφαλή τρόπο χρήσης της μηχανής. Οι επίδοτες και οι χειριστές οφείλουν να έχουν αναγνώσει και κατανοήσει το Εγχειρίδιο Χρήσης. Θα πρέπει να γνωρίζουν:

- Τις οδηγίες ασφαλείας του μηχανήματος.
- Το εύρος εφαρμογών και περιορισμών του μηχανήματος.
- Τον τρόπο χρήσης και συντήρησης του μηχανήματος.

Η χρήση του παρόντος μηχανήματος είναι πιθανό να υπόκειται σε εθνική νομοθεσία. Μάθετε τι ορίζει η νομοθεσία στη περιοχή στην οποία εργάζεστε πριν αρχίσετε να χρησιμοποιείτε το μηχανήμα.

Τις επιφυλάξεις του κατασκευαστή

Μετά τη δημοσίευση του παρόντος εγχειριδίου, η Husqvarna μπορεί να εκδώσει συμπληρωματικό πληροφοριές σχετικά με την ασφαλή λειτουργία αυτού του προϊόντος. Εναπόκειται στην ευθύνη του ιδιοκτήτη να είναι ενημερωμένος σχετικά με τις ασφαλέστερες μεθόδους λειτουργίας.

Η Husqvarna AB αναπτύσσει συνεχώς τα προϊόντα της και για το λόγο αυτό επιφυλάσσει στον εαυτό της το δικαίωμα τροποποιήσεων π.χ. ως προς το σχεδιασμό και την εμφάνιση, χωρίς προειδοποίηση.

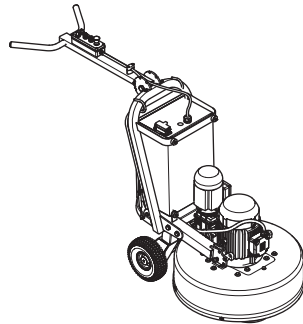
Για πληροφορίες και βοήθεια των πελατών, επικοινωνήστε μαζί μας στο δικτυακό μας τόπο: www.husqvarna.com

Σχεδιασμός και λειτουργία

Αξίες όπως η άριστη απόδοση, η αξιοπιστία, η καινοτόμος τεχνολογία, οι προηγμένες τεχνολογικές λύσεις και ο σεβασμός του περιβάλλοντος διακρίνουν τα προϊόντα της Husqvarna. Ο χειριστής πρέπει να διαβάσει προσεκτικά το παρόν εγχειρίδιο, προκειμένου να διασφαλιστεί η ασφαλή λειτουργία αυτού του προϊόντος. Εάν χρειάζεστε περισσότερες πληροφορίες, απευθυνθείτε στον αντιπρόσωπό σας ή στην Husqvarna.

Παρακάτω περιγράφονται ορισμένα από τα μοναδικά χαρακτηριστικά του προϊόντος σας.

PG 680/PG 820



Τα μηχανήματα λείανσης επιφανείων Husqvarna PG 680/820 είναι σχεδιασμένα για υγρή ή στεγνή λειοτρίβιση μαρμάρου, terrazzo, γρανίτε και σκυροδέματος. Οι εφαρμογές τους ποικίλουν από χονδρή λείανση μέχρι λεπτό φινιρίσμα. Το μηχανήμα προορίζεται για επαγγελματική χρήση, π.χ. σε ξενοδοχεία, σχολεία, νοσοκομεία, εργοστάσια, γραφεία κ.λπ.

- Η πλανητική κεφαλή και οι κεφαλές λείανσης λειτουργούν με ξεχωριστά μοτέρ, χάρη στην τεχνολογία Dual Drive TechnologyΣ. Αυτή η τεχνολογία παρέχει στο χειριστή πλήρη έλεγχο της πλανητικής κεφαλής και των κεφαλών δορυφορικού τύπου ως προς την ταχύτητα και την κατεύθυνση περιστροφής.

- Το τριβείο τριπλής κεφαλής παρέχει μεγαλύτερη καθοδική πίεση και ισχύ στις κεφαλές λείανσης συγκριτικά με τα μηχανήματα 4 κεφαλών. Επίσης, προσφέρει πιο σταθερή λειτουργία πάνω από κυματοειδείς επιφάνειες συγκριτικά με τα μηχανήματα 4 κεφαλών.
- Γραναζοκίνητη κεφαλή πλανητικού τύπου με ιμάντα ανώτερης ποιότητας για μετάδοση ισχύος στις κεφαλές λείανσης.
- Βιομηχανική κατασκευή υψηλής αντοχής.
- Στιβαρό χαλύβδινο πλαίσιο.
- Κεφαλές με χαλύβδινα ελατήρια.
- Ανθεκτικό μονοκόμματο αλουμινένιο κάλυμμα.
- Στιβαροί, σκληροί ελαστικοί τροχοί.
- Ο μηχανισμός στεγανοποίησης 5 σημείων προστατεύει τα ρουλεμάν και τα εσωτερικά μέρη από τα υπολείμματα σκυροδέματος. Επίσης, παρατείνει τα διαστήματα σέρβις και τη διάρκεια ζωής του μηχανήματος.
- Το Redi LockΣ προσφέρει ένα σύστημα γρήγορης και εύκολης αλλαγής των αδαμαντοφόρων εργαλείων.
- Εργονομική σχεδίαση πλαισίου και λαβής.
- Ευκρινή και εύχρηστα χειριστήρια για τον έλεγχο των λειτουργιών του μηχανήματος.
- Χαμηλό κόστος εργαλείων και συντήρησης ανά τετραγωνικό μέτρο.

Επιπλέον χαρακτηριστικά

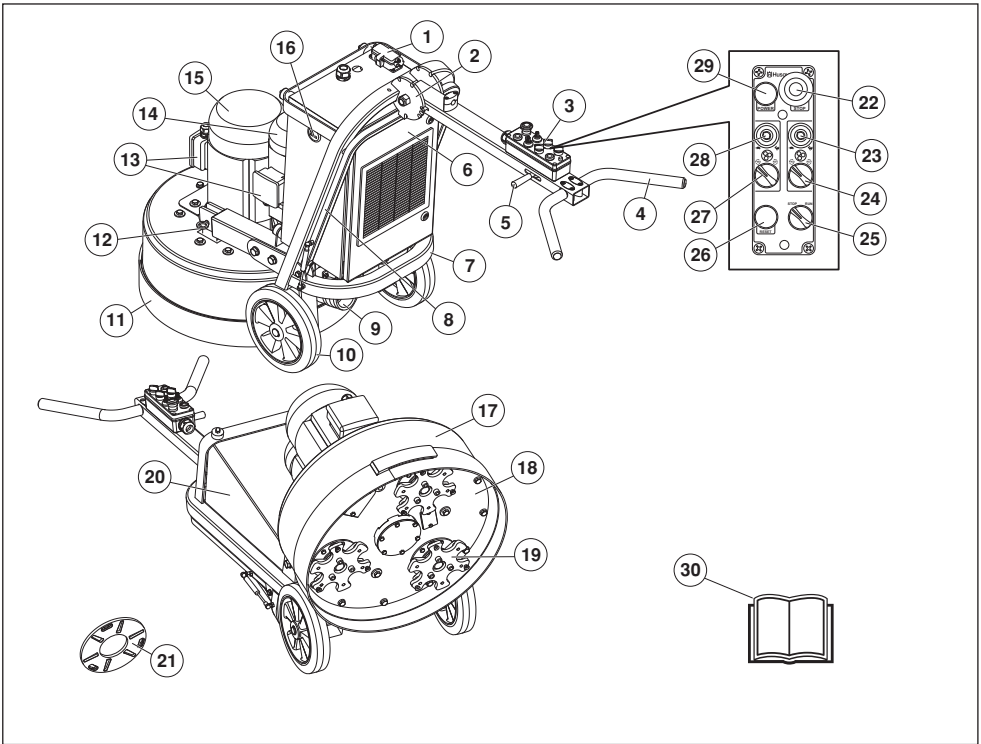
PG 820

- Πλατιά διαδρομή λείανσης που ενδείκνυται ιδιαίτερα για επαγγελματική χρήση.

PG 680

- Χωράει εύκολα σε τυπικά ανοίγματα και είναι κατάλληλο για τις περισσότερες εργασίες.
- Κορυφαία αναλογία ισχύος-βάρους.

ΠΑΡΟΥΣΙΑΣΗ



Τι είναι τι στο τροχιστικό;

- | | |
|-----------------------------------|---|
| 1 Σύνδεση καλωδίου | 17 Κάλυμμα |
| 2 Ρύθμιση χειρολαβής | 18 Πλανετική κεφαλή |
| 3 Πίνακας ελέγχου | 19 Κεφαλές λείανσης |
| 4 Χειρολαβή | 20 Ηλεκτρικός πίνακας |
| 5 Λεβιές ασφάλισης, ρύθμιση λαβής | 21 Δίσκος συγκράτησης διαμαντιών |
| 6 Κάλυμμα επιθεώρησης | 22 Διακοπή έκτακτης ανάγκης |
| 7 Σασί/Πλαίσιο | 23 Έλεγχος ταχύτητας για κεφαλές λειοτριβείου. |
| 8 Ανακλινόμενη μπάρα | 24 Έλεγχος κατεύθυνσης για κεφαλές λειοτριβείου. |
| 9 Σύνδεση για ηλεκτρική σκούπα | 25 Διακόπτης STOP/RUN |
| 10 Ελαστικοί τροχοί | 26 Κουμπί επαναφοράς |
| 11 Επένδυση συλλογής σκόνης | 27 Έλεγχος κατεύθυνσης για περιστροφή της πλανετικής κεφαλής. |
| 12 Ασφαλιστικός πείρος | 28 Έλεγχος κατεύθυνσης για περιστροφή της πλανετικής κεφαλής. |
| 13 Κιβώτιο θερματικού κινητήρα | 29 Κουμπί POWER |
| 14 Κινητήρας λειοτριβείου κεφαλών | 30 Οδηγίες χρήσεως |
| 15 Κινητήρας πλανετικής κεφαλής | |
| 16 Μετρητής | |

ΕΞΟΠΛΙΣΜΟΣ ΑΣΦΑΛΕΙΑΣ ΤΟΥ ΜΗΧΑΝΗΜΑΤΟΣ

Γενικά

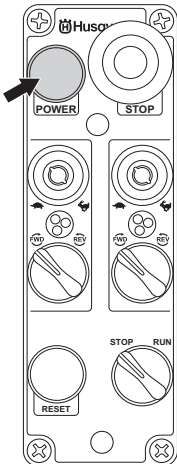


ΠΡΟΕΙΔΟΠΟΙΗΣΗ! Ποτέ μην χρησιμοποιείτε ένα μηχάνημα με ελαττωματικό εξοπλισμό ασφάλειας. Ο εξοπλισμός ασφάλειας του μηχανήματος πρέπει να ελέγχεται και να συντηρείται όπως περιγράφεται σε αυτό το κεφάλαιο. Εάν το μηχάνημά σας δεν πληρεί τους απαιτούμενους ελέγχους, απευθυνθείτε στον αντιπρόσωπο του σέρβις για επιδιόρθωση.

Στο μέρος αυτό παρουσιάζονται τα εξαρτήματα ασφάλειας του μηχανήματος, ε αποστολή τους καθώς και ο τρόπος ελέγχου και συντήρησης για την ασφαλή λειτουργία τους.

Κουμπί POWER

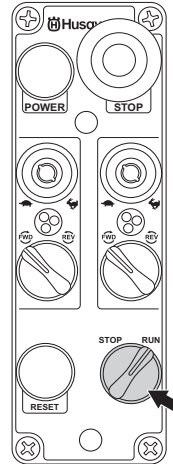
Αυτό το κουμπί, όταν πατηθεί, ενεργοποιεί την ηλεκτρική τροφοδοσία προς τη μονάδα εφόσον έχει απελευθερωθεί το κουμπί διακοπής λειτουργίας έκτακτης ανάγκης (Emergency Stop).



Έλεγχος του κουμπιού λειτουργίας POWER

- Ελέγξτε ότι το κουμπί έκτακτης ανάγκης δεν έχει πατηθεί, στρέφοντάς τα δεξιόστροφα.
- Πατήστε το κουμπί λειτουργίας. Όταν το κάνετε αυτό, θα πρέπει να ακουστεί ένα ελαφρύ μεταλλικός ήχος από το εσωτερικό του ηλεκτρικού ερμαρίου. Αυτό σημαίνει ότι έχουν εμπλακεί οι επαφές της γραμμής, παρέχοντας ισχύ στους μηχανισμούς μετάδοσης κίνησης/στους μετατροπείς συχνότητας.
- Πατήστε το κουμπί διακοπής έκτακτης ανάγκης STOP.

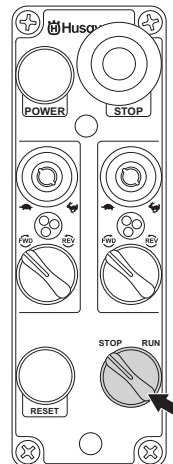
- Περιστρέψτε το διακόπτη STOP/RUN στη θέση "RUN".



- Το μηχάνημα δεν πρέπει να ξεκινήσει.

Διακόπτης STOP/RUN

Ο διακόπτης διακοπής/λειτουργίας STOP/RUN χρησιμοποιείται για την ενεργοποίηση και την απενεργοποίηση των κινητήρων.



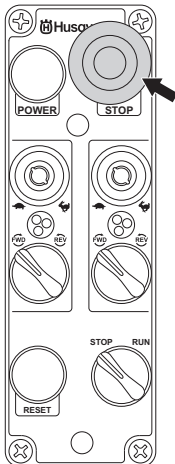
Έλεγχος του διακόπτη STOP/RUN

Ελέγξτε ότι τα κουμπιά διακοπής έκτακτης ανάγκης ή διακοπής μηχανήματος δεν έχουν πατηθεί, στρέφοντάς τα δεξιόστροφα.

- Πατήστε το κουμπί λειτουργίας.
- Για να μειώσετε την πίεση ανάμεσα στο δίσκο τροχίσματος και το δάπεδο, σπρώξτε προς τα κάτω τη χειρολαβή χωρίς να ανασηκώσετε τη μονάδα τροχίσματος από το δάπεδο.
- Θέστε το μεχάνημα σε λειτουργία χρησιμοποιώντας το διακόπτη STOP/RUN στον πίνακα ελέγχου. Το μεχάνημα θα πρέπει να ξεκινήσει ομαλά και να επιταχύνει έως τεν επιλεγμένη ταχύτητα σε ένα διάστημα 5 δευτερολέπτων.
- Περιστρέψτε το διακόπτη STOP/RUN στη θέση "STOP".

Διακοπή έκτακτης ανάγκης

Το κουμπί διακοπής έκτακτης ανάγκης χρησιμοποιείται για τη γρήγορη απενεργοποίηση του κινητήρα. Το πλήκτρο διακοπής έκτακτης ανάγκης στο μηχάνημα διακόπτει την τροφοδοσία από το κύριο δίκτυο.

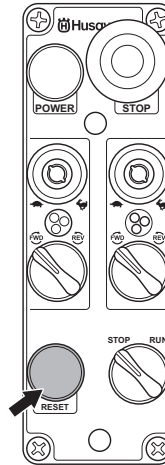


Έλεγχος της διακοπής έκτακτης ανάγκης

- Πατήστε το κουμπί διακοπής έκτακτης ανάγκης STOP. Ελέγξτε ότι ο κινητήρας σταμάτησε.
- Απελευθερώστε το κουμπί EMERGENCY STOP (στρέψτε το δεξιόστροφα).

Κουμπί επαναφοράς

- Το κουμπί Reset χρησιμοποιείται για επαναφορά οποιωνδήποτε ενεργών σφαλμάτων στις μονάδες δίσκου του υπολογιστή Vacon, που μπορεί να προκληθούν κατά τη λειτουργία, όπως 'Υπερένταση' ή 'Υπόταση'. Μόλις ενεργοποιηθεί το Reset, το μηχάνημα θα επανέλθει στην κανονική του λειτουργία.



Γενικά



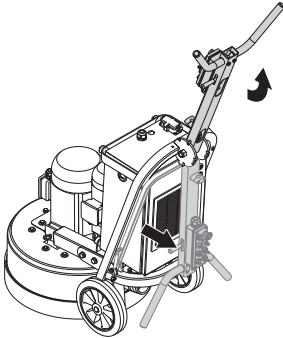
ΠΡΟΕΙΔΟΠΟΙΗΣΗ! Το μηχάνημα θα πρέπει να απενεργοποιείται με το καλώδιο τροφοδοσίας αποσυνδεδεμένο από την έξοδο.

Αλλαγή/τοποθέτηση των διαμαντιών

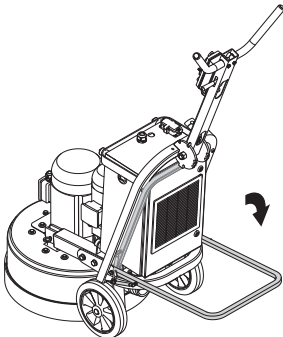
ΣΗΜΕΙΩΣΗ! Κατά τη χρήση του μηχανήματος, κάθε κεφαλή λείανσης πρέπει να έχει τον ίδιο τύπο διαμαντιού και τον ίδιο αριθμό διαμαντιών όπως οι υπόλοιπες κεφαλές λείανσης. Κάθε κεφαλή λείανσης πρέπει να έχει διαμάντια ίδιου ύψους όπως οι υπόλοιπες κεφαλές λείανσης.

Να έχετε εύκαιρο ένα ζευγάρι γάντια, καθώς τα διαμάντια μπορούν να υπερθερμανθούν κατά τη διάρκεια των εφαρμογών ξερής λειοτρίβησης.

- Τοποθετήστε τε λαβή στεν πάνω θέσε.

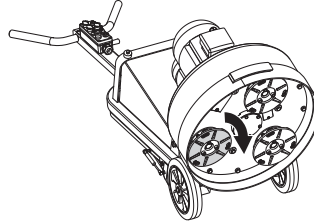


- Διπλώστε προς τα κάτω το υποστήριγμα ποδιών.



- Πιάστε τη χειρολαβή και, με το ένα πόδι στο υποστήριγμα ποδιών, γείρετε το μηχάνημα προς τα πίσω. Το μηχάνημα θα πρέπει να στηρίζεται στους τροχούς του και στο σασί.

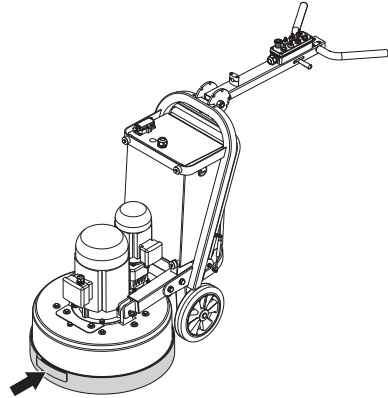
- Φορέστε τα γάντια.
- Αφαιρέστε το δίσκο λειοτρίβησης περιστρέφοντας ελαφρά το δίσκο και στε συνέχεια τραβώντας προς τα έξω (ε κατεύθυνσε περιστροφής των δίσκων θα εξαρτεθεί από τον κατεύθυνσε με τον οποία λειτουργούσε ε συσκευή τελευταία).



- Χρησιμοποιήστε ψυφίρι, για να αφαιρέσετε τα στοιχεία διαμαντιού.
- Στερεώστε νέα στοιχεία διαμαντιού στο δίσκο τροχίσματος.

Συναρμολογήστε τα εξαρτήματα με την αντίστροφη σειρά.

Καθώς τα νέα διαμάντια μπορεί να έχουν διαφορετικό ύψος από το σετ που χρησιμοποιούταν πριν, επαναρυθμίστε τον ποδιά για τε διασφάλισε καλής σφραγισε με το δάπεδο.



Προσαρμογή της λαστιχένιας ταινίας

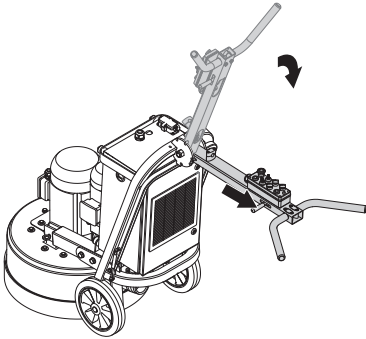
- Προσαρμόστε τε λαστιχένια ποδιά έτσι ώστε να δεμιουργείται μια σωστή σφραγισε μεταξύ του πατώματος και της κεφαλής της συσκευής. Φροντίστε ώστε ε ένωση στεν ποδιά να βρίσκεται στο μπροστινό μέρος του μηχανήματος. Ε ρύθμισε της ποδιάς είναι σεμαντική για να επιτευχθεί καλή εξαγωγή της σκόνης και να εξαλειφθεί ε πιθανότητα σκόνης στον αέρα κατά την ξερή λείανσε.

Ύψος λαβής

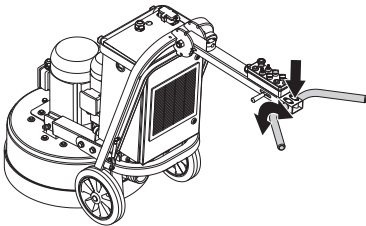


ΠΡΟΣΟΧΗ! Συστήνεται να ρυθμίσετε αυτό το ύψος όσο πιο κοντά γίνεται στο ύψος του ισχύου του χειριστή. Όταν λειτουργεί το μηχανήμα, θα υπάρχει μια δύναμη/έλξη λείανσης σε μια πλευρά που θα γίνεται αισθητή μέσω της χειρολαβής. Χρησιμοποιήστε το ισχύο για να αντισταθείτε σε αυτή τη δύναμη αντί να προσπαθήσετε να την ελέγξετε με τα χέρια (αυτή η στάση θα είναι πολύ ευκολότερη για το χειριστή που χρησιμοποιεί το μηχανήμα για παρατεταμένα χρονικά διαστήματα).

- Ρυθμίστε τη λαβή στο ύψος εργασίας που σας βολεύει χρησιμοποιώντας το μοχλό ρύθμισης.



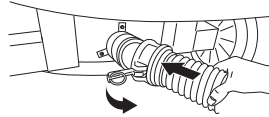
- Ρυθμίστε το ύψος του επάνω μέρους της χειρολαβής.



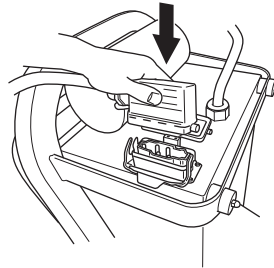
Συνδέστε το μηχανήμα

Προτείνεται η χρήση του συστήματος απαγωγής σκόνης Husqvarna DC 6000 για πλήρη έλεγχο της παραγόμενης σκόνης.

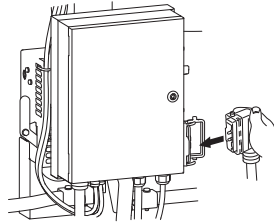
- Συνδέστε την ηλεκτρική σκούπα στο μηχανήμα.



- Βεβαιωθείτε ότι ο διακόπτης STOP/RUN βρίσκεται στη θέση Stop (περιστρέψτε αριστερόστροφα).
- Συνδέστε το φις από το DC 6000 απευθείας στο τροχιστικό.



- Συνδέστε το φις από το τροχιστικό στην έξοδο ρεύματος του κονιοσυλλέκτη.

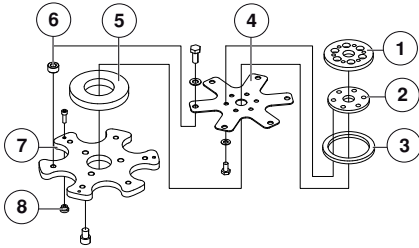


Κεφαλές λείανσης

Υπάρχουν 2 διαφορετικές επιλογές κεφαλής λείανσης:

- Κεφαλές χάλυβα ελατερίων - σχεδιασμένο περισσότερο για φινιρίσμα ή ελαφρύτερες εφαρμογές λείανσης.
- Συμβατικές/Κατεδαφιστικές κεφαλές - σχεδιασμένες για προετοιμασία λείανσης βαριάς χρήσης, όπου απαιτείται ένα πολύ ανθεκτικό σύστημα. (πρόσθετο αξεσουάρ)

Κεφαλές Χάλυβα Ιατερίων



- 1 Πλήμνη μετάδοσης κίνησης
- 2 Πλάκα αποστάτη
- 3 λαστικός δακτύλιος
- 4 λατήριο χάλυβα ελατερίου
- 5 λατήριο σιλικόνες
- 6 Διαχωριστικό
- 7 Πλάκα κεφαλής
- 8 Μεχάνισμός ασφάλισης κεφαλής

Ανάμεσα στην πλάκα κεφαλής και στο κάλυμμα κεφαλής υπάρχει μια σειρά αποστατών, ένας σιλικονούχος δακτύλιος και ένα χαλύβδινο ελατήριο για απορρόφηση κραδασμών και ευελιξία στο σύστημα.

Οι κεφαλές με χαλύβδινα ελατήρια αποτελούνται από μια σειρά αποστατών, ένα σιλικονούχο δακτύλιο και ένα χαλύβδινο ελατήριο. Όλα αυτά σε συνδυασμό παρέχουν ευελιξία και απορρόφηση κραδασμών στο σύστημα.

Σε αντίθεση με τις κεφαλές για βαριές εφαρμογές αφαίρεσης, οι κεφαλές με χαλύβδινα ελατήρια έχουν μεγαλύτερη ευελιξία κίνησης χωρίς χρήση κινητών μερών, χάρη στο σχεδιασμό με χαλύβδινα ελατήρια.

Στοιχεία Διαμαντιού

Ακολουθούν οδηγίες σχετικά με τις εφαρμογές λείανσης στοιχείων διαμαντιών. Όπως συμβαίνει με όλες τις οδηγίες, υπάρχουν πάντα εξαιρέσεις στον κανόνα.

Γενικά

Τα αποξεστικά διαμάντια αποτελούνται συνήθως από 2 μέρη:

- Διαμαντόσκοπε (που είναι επίσης γνωστή ως κρύσταλλο διαμαντιού ή άμμος). Αλλάζοντας το

μέγεθος του κόκκου της διαμαντόσκοπης ή της άμμου, μπορούμε να ελέγξουμε πόσο χονδρές ή λεπτές θα είναι οι γρατζουνιές που θα μείνουν μετά τη διαδικασία λείανσης.

- Συνδετικό υλικό (μέταλλο ή ρετίνη). Ε διαμαντόσκοπε αναμειγνύεται και μένει σε αιώρεμα μέσα σε μέταλλο ή ρετίνη (συνδετικό υλικό). Όταν βρίσκεται σε αιώρεμα σε μεταλλικό συνδετικό υλικό, το τελικό προϊόν αναφέρεται ως διαμαντόσκοπε σε μεταλλικό συνδετικό υλικό ή θερμοσυσσωματωμένη διαμαντόσκοπε. Όταν βρίσκεται σε αιώρεμα σε συνδετικό υλικό ρετίνες, το τελικό προϊόν αναφέρεται ως διαμαντόσκοπε με συνδετικό υλικό ρετίνες ή γυαλόχαρτο. Αλλάζοντας τη σκληρότητα του συνδετικού υλικού, ελέγχουμε πόσο γρήγορα ή αργά θα φθαρεί το αποξεστικό του διαμαντιού.

ΜΓΘΟΣ ΣΩΜΑΤΙΔΙΩΝ ΛΙΑΝΣΕΣ ΔΙΑΜΑΝΤΙΩΝ

Παρακάτω δίνονται μερικοί γενικοί κανόνες που αφορούν τη χρήση των διαμαντιών στις εφαρμογές λείανσης. Όπως συμβαίνει με όλους τους γενικούς κανόνες, υπάρχουν και εξαιρέσεις ή περιπτώσεις όπου δεν ισχύουν.

Αν αλλάξετε το μέγεθος των σωματιδίων λείανσης των διαμαντιών σε μικρότερο μέγεθος σωματιδίων, αυτό θα επηρεάσει την απόδοση του διαμαντιού εργαλείου με τους ακόλουθους τρόπους:

- Δεμιουργούνται λεπτότερες γρατζουνιές.
- Αυξάνεται η διάρκεια ζωής του εργαλείου.

Το αντίθετο θα συμβεί αν αλλάξετε σε μεγαλύτερο μέγεθος σωματιδίων.

Παράγοντες λείανσης

Ε αυξημένη σκληρότητα των συνδέσεων:

- Δεμιουργούνται λεπτότερες γρατζουνιές.
- Αυξάνεται η διάρκεια ζωής του εργαλείου.
- Μειώνεται ο ρυθμός παραγωγής.

Τα αντίθετα συμβαίνουν όταν μειωθεί η σκληρότητα του συνδετικού υλικού από μέταλλο ή ρετίνη.

Αριθμός στοιχείων διαμαντιού κάτω από το μηχανήμα

Ο αυξημένος αριθμός τμημάτων υπό τη συσκευή:

- λλατώνεται η πίεση που ασκείται σε κάθε επιμέρους διαμάντι. – λλατώνεται ο ρυθμός φθοράς των διαμαντιών.
- λλατώνεται το φορτίο στο μηχανήμα και το τριβείο καταναλώνει λιγότερο ρεύμα.
- Δεμιουργούνται ομαλότερες γρατζουνιές (ιδιαίτερα σε μαλακά δάπεδα).

Το αντίθετο θα συμβεί αν μειώσετε τον αριθμό των τμημάτων υπό το μηχανήμα.

ΟΔΗΓΟΣ ΤΡΟΧΙΣΜΑΤΟΣ

ΥΓΡΕ ΚΑΙ ΞΕΡΕ ΛΙΟΤΡΙΒΕΣΕ

Όταν χρησιμοποιείτε υγρά τμήματα διαμαντιών, ισχύουν οι παρακάτω αρχές:

- Οι ρυθμοί παραγωγής είναι υψηλότεροι από ό,τι στεν ξερή λείανση.
- Τα τμήματα των διαμαντιών θα φθαρούν γρηγορότερα (λόγω της παρουσίας εκκρίματων σκυροδέματος) και συνεπώς μπορούν να χρησιμοποιηθούν σκληρότερες συνδέσεις (όταν γίνεται σύγκριση με την ξερή λειοτριβήσε).
- Οι γρατζουνιές από τα διαμαντόσκονε θα είναι βαθύτερες.

Όταν χρησιμοποιείτε ξηρά τμήματα διαμαντιών, ισχύουν οι παρακάτω αρχές:

- Οι ρυθμοί παραγωγής θα είναι μικρότεροι σε σκληρότερα υλικά από ό,τι στεν υγρή λείανση.
- Θα χρειάζονται μαλακότερα συνδετικά υλικά προκειμένου να ενισχυθεί η φθορά του διαμαντιού (καθώς δεν θα υπάρχει πολφός που διευκολύνει τη φθορά του διαμαντιού).
- Οι γρατζουνιές από τα διαμαντόσκονε δεν θα είναι τόσο βαθιές όπως στεν υγρή λείανση.
- Θα παράγεται περισσότερη θερμότητα από τα διαμάντια.

Σύνοψη των αρχών σχετικά με τα διαμάντια

Τα διαμάντια πρέπει να φθειρόνται προκειμένου να επιτευχθεί παραγωγικότητα. Η φθορά των διαμαντιών επηρεάζεται από τους εξής παράγοντες:

- Πίεση.
- Σκληρότητα συνδετικού υλικού.
- Μέγεθος κόκκου διαμαντόσκονε.
- Παρουσία νερού.
- Αριθμός τεμαχίων κάτω από το μηχανάμα.
- Με προσθήκη πρόσθετου αποξερστικού (π.χ. άμμος, καρβίδιο πυριτίου) στο δάπεδο, αυξάνεται η φθορά.

Γενικά, όσο γρηγορότερα φθείρεται το διαμάντι, τόσο μεγαλύτερη είναι η παραγωγικότητα. Με αλλαγή των παραπάνω παραγόντων, γίνονται αλλαγές και στα εξής:

- Προφίλ γρατζουνιών.
- Ένταση ρεύματος στο μηχανάμα.
- Πυεδώτητα του δαπέδου (δείτε την επόμενη ενότητα).
- Ικωλία λειτουργίας.

Πλήρεις και μισές σειρές διαμαντιών

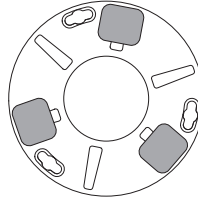
Γενικά

Ο τρόπος με τον οποίο είναι τοποθετημένα τα τμήματα του διαμαντιού στις κεφαλές λειοτριβήσεως της συσκευής θα επηρεάσει σε μεγάλο βαθμό την απόδοση

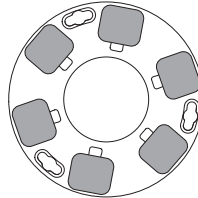
της συσκευής, τα επίπεδα παραγωγικότητας καθώς επίσης και την τελική ποιότητα του δαπέδου.

Υπάρχουν βασικά δύο είδη διατάξεων των διαμαντιών που μπορούν να χρησιμοποιηθούν κατά τη χρήση του λειαντήρα:

- Μισό σετ διαμαντιών – όταν έχουν τοποθετηθεί διαμάντια σε τρεις από τις έξι θέσεις των δίσκων υποδοχής διαμαντιών.



- Πλήρες σετ διαμαντιών – όταν έχουν τοποθετηθεί διαμάντια σε κάθε μία από τις έξι θέσεις των δίσκων υποδοχής διαμαντιών.



Αλλάζοντας τον τρόπο τοποθέτησε των δίσκων υποδοχής διαμαντιών, ο χειριστής μπορεί να βελτιώσει σημαντικά την απόδοση της συσκευής και, ως αποτέλεσμα, του τελειωμένου προϊόντος.

Μισό σετ διαμαντιών

Όταν τα διαμάντια είναι τοποθετημένα ως μισή σειρά, τείνουν να ακολουθούν την επιφάνεια του δαπέδου. Όπως με ένα τρίποδο φωτογραφικής μηχανής, το οποίο μπορεί να τοποθετηθεί σε ανισόπεδο επιφάνεια και παρόλα αυτά να έχει σταθερό πάτεμα.

Ε διατάξε μισής σειράς διαμαντιών θα πρέπει να χρησιμοποιείται μόνο όταν δεν απαιτείται τελείωμα επιπέδου δαπέδου.

Πλήρες σετ διαμαντιών

Όταν τα διαμάντια είναι τοποθετημένα ως πλήρης σειρά, τείνουν να μην ακολουθούν την επιφάνεια του δαπέδου. Αν το δάπεδο έχει κυματοειδή μορφή, η συσκευή θα λειάνει τα υψηλά σημεία προσηπερνώντας τα χαμηλά σημεία.

Ε διατάξε πλήρους σειράς διαμαντιών θα πρέπει να χρησιμοποιείται όταν απαιτείται τελείωμα επιπέδου δαπέδου.

Ο παρακάτω πίνακας παρέχει μερικά παραδείγματα πιθανών εφαρμογών για τις δύο διατάξεις:

ΟΔΗΓΟΣ ΤΡΟΧΙΣΜΑΤΟΣ

Συνθήκες χρήσης	Πλήρης σειρά	Μισή σειρά
Αφαίρεσε κόλλας κεραμικών πλακιδίων	X	
Αφαίρεσε κόλλας χαλιών		X
Αφαίρεσε εποξική βαφής	X	
Αφαίρεσε κόλλας βινυλίου		X
Σκυροδέμα που έχει φθαρεί από τε βροχή	X	
Ξομάλυνσε εκτεθειμένου αδρανούς υλικού	X	
Εξομάλυνση άνισων επιφανειών μεταξύ πλακιδίων με βάση το σκυροδεμα.	X	
πιφανειακό φινιρίσμα δαπέδων σκυροδέματος		X
Λείανσε έκθεσες αδρανούς υλικού σε εφαρμογή φινιρίσματος σκυροδέματος	X	
Ξομάλυνσε δαπέδων σκυροδέματος με κυματοειδή μορφή	X	
Δεύτερο φινιρίσμα σε δάπεδα που έχουν ξαναλειανθεί		X

Καθορισμός τες σκληρότητας του σκυροδέματος

Όλα τα σκυροδέματα μετριοούνται από τεν συμπίεστική τους δύναμη και, ανάλογα με το μέρος του κόσμου στο οποίο βρίσκεστε, τους διαφορετικούς δείκτες συμπίεστικής δύναμης (π.χ. PSi & MPa). Γενικά, όσο υψηλότερη είναι η συμπίεστική δύναμη, τόσο σκληρότερο θα είναι το σκυροδεμα και, ως αποτέλεσμα, τόσο δυσκολότερο θα είναι και η λείανσή του.

Ωστόσο, εκτός από την αντοχή στη συμπίεση, υπάρχουν και άλλοι παράγοντες που καθορίζουν τη σκληρότητα του δαπέδου και αποτελούν κριτήριο για την επιλογή του κατάλληλου αδαμαντοφόρου εργαλείου. Επειδή στη λείανση μας απασχολεί συνήθως το ανώτερο στρώμα του δαπέδου (5 mm), η επεξεργασία και η κατάσταση της επιφάνειας του σκυροδέματος παίζουν πολλές φορές πιο σημαντικό ρόλο στην επιλογή του κατάλληλου αδαμαντοφόρου εργαλείου από ό,τι η αντοχή στη συμπίεση.

ΠΙΦΑΝΙΑΚΟΙ ΠΑΡΑΓΟΝΤΣ ΠΟΥ ΠΡΠΙ ΝΑ ΛΕΦΘΟΥΝ ΥΠΟΦΕ ΚΑΤΑ ΤΕΝ ΠΙΛΟΓΕ ΔΙΑΜΑΝΤΙΟΥ

Γενικά, αν μια επιφάνεια σκυροδέματος είναι πολύ ομαλή (δελαδή πιθανώς έχει εξομαλυνθεί και χτυπηθεί πολύ κατά τεν κατασκευή του), το σκυροδεμα θα συμπεριφέρεται σαν να έχει υψηλή συμπίεστική και, ως αποτέλεσμα, θα απαιτεί μαλακότερα συνδετικά υλικά.

Αντίστοιχα, αν μια επιφάνεια σκυροδέματος είναι τραχιά/άγρια (π.χ. έχει υποστεί ζεμιά από τε βροχή, έχει χτυπηθεί, έχει τραυματιστεί, έχει εκτεθεί σε αδρανές υλικό, κλπ.), το σκυροδεμα θα συμπεριφέρεται σαν να έχει χαμηλή συμπίεστική δύναμη και, ως αποτέλεσμα, θα απαιτεί σκληρότερα συνδετικά υλικά.

Οι επικαλύψεις/ακαθαρσίες τες επιφάνειας (π.χ. ποξικές επικαλύψεις, κόλλες κεραμικών πλακιδίων, μίγματα/κονιάματα εξομάλυνσης δαπέδου) πολλές φορές αποτελούν σεμαντικότερους παράγοντες για τεν επιλογή τύπου διαμαντιού από τε συμπίεστική δύναμη του σκυροδέματος.

Ως γενικός κανόνας, όταν λειανίτε μια πλάκα σκυροδέματος για πρώτη φορά και δεν είστε σίγουροι για τε σκληρότετά του, πάντα να ξεκινάτε με διαμάντια από σκληρότερα συνδετικά υλικά στε σκευή. Αυτό θα διασφαλίσει τεν μικρότερη δυνατή φθορά των τμημάτων των διαμαντιών. Αν κάποιο σκληρό τμήμα διαμαντιού δεν είναι αρκετά μαλακό για κάποια εφαρμογή, η μοναδική επίπτωση είναι το χάσιμο λίγο περισσότερου χρόνου, χωρίς φθορά των διαμαντιών.

Αν συμβεί το αντίθετο (δελσάη χρησιμοποιηθεί τμήμα που είναι πιο μαλακό από όη χρειάζεται) και το σκυροδεμα είναι μαλακό ή έχει τραχιά επιφάνεια ή επιφανειακές ακαθαρσίες, είναι πολύ πιθανό όη θα φθαρεί μεγάλο μέρος του διαμαντιού σε πολύ μικρό χρονικό διάστημα.

ΟΔΗΓΟΣ ΤΡΟΧΙΣΜΑΤΟΣ

πιλογή διαμαντιού

Οι παρακάτω υποδείξεις καλύπτουν τις βασικές αρχές επιλογής διαμαντιών για διαφορετικές εφαρμογές.

Συνθήκες χρήσης	Μεταλλικό συνδετικό υλικό	Μέγεθος κόκκου	Πλήρης σειρά	Μισή σειρά	Μονά (Μ)/Διπλά (Δ)/Τριπλά (Τ)
Ξομάλυνσε δαπέδου – Σκληρό σκυρόδεμα	Μαλακό	16 έως 30	X		S
Ξομάλυνσε δαπέδου – Μέτριο σκυρόδεμα	Μέτριο	16 έως 30	X		S
Ξομάλυνσε δαπέδου – Μαλακό σκυρόδεμα	Σκληρό	16 έως 30	X		Δ ή Τ
Αφαίρεσε κόλλας κεραμικών πλακιδίων	Σκληρό	16 έως 30	X		Μ ή Δ
Αφαίρεσε κόλλας βινυλίου ή κόλλας χαλιών – Σκληρό σκυρόδεμα	Μαλακό	16 έως 30		X	Μ ή Δ
Αφαίρεσε κόλλας βινυλίου ή κόλλας χαλιών – Μέτριο σκυρόδεμα	Μέτριο	PCD έως 16		X	Δ ή Τ
Αφαίρεσε κόλλας βινυλίου ή κόλλας χαλιών – Μαλακό σκυρόδεμα	Σκληρό	PCD έως 16		X	Δ ή Τ
Αφαίρεσε εποξικής βαφής – Σκληρό σκυρόδεμα	Μαλακό	16 έως 30	X	X	S
Αφαίρεσε εποξικής βαφής – Μέτριο σκυρόδεμα	Μέτριο	16 έως 30	X		S
Αφαίρεσε εποξικής βαφής – Μαλακό σκυρόδεμα	Σκληρό	16 έως 30	X		Δ ή Τ
Σκυρόδεμα που έχει φθαρεί από τε βροχή	Σκληρό	16 έως 30	X		Δ ή Τ
Ξομάλυνσε εκτεθειμένου αδρανούς υλικού	Σκληρό	16 έως 30	X		Μ ή Δ
Αφαίρεσε άκρων σε μωσαϊκό / πέτρινα πλακίδια	Μαλακό	30 έως 60	X		S
πιφανειακό φινίρισμα δαπέδων σκυροδέματος – Σκληρό σκυρόδεμα	Μαλακό	60		X	Μ ή Δ
πιφανειακό φινίρισμα δαπέδων σκυροδέματος – Μέτριο σκυρόδεμα	Μέτριο	60		X	Μ ή Δ
πιφανειακό φινίρισμα δαπέδων σκυροδέματος – Μαλακό σκυρόδεμα	Σκληρό	60		X	Δ
Λείανσε έκθεσες αδρανούς υλικού σε σκυρόδεμα – Σκληρό σκυρόδεμα	Μαλακό	16 έως 30	X		S
Λείανσε έκθεσες αδρανούς υλικού σε σκυρόδεμα – Μεσαίο σκυρόδεμα	Μέτριο	16 έως 30	X		S
Λείανσε έκθεσες αδρανούς υλικού σε σκυρόδεμα – Μαλακό σκυρόδεμα	Σκληρό	16 έως 30	X		Δ ή Τ
Ξομάλυνσε δαπέδων σκυροδέματος με κυματοειδή μορφή – Σκληρό σκυρόδεμα	Μαλακό	16 έως 30	X		S
Ξομάλυνσε δαπέδων σκυροδέματος με κυματοειδή μορφή – Μέτριο σκυρόδεμα	Μέτριο	16 έως 30	X		S
Ξομάλυνσε δαπέδων σκυροδέματος με κυματοειδή μορφή – Μαλακό σκυρόδεμα	Σκληρό	16 έως 30	X		Δ

Προστατευτικός εξοπλισμός

Γενικά

Μην χρησιμοποιείτε το μηχάνημα παρά μόνο εφόσον έχετε τη δυνατότητα να καλέσετε βοήθεια σε περίπτωση ατυχήματος.

Ατομικός προστατευτικός εξοπλισμός

Σε οποιαδήποτε χρήση του μηχανήματος πρέπει να χρησιμοποιείτε εγκεκριμένο ατομικό προστατευτικό εξοπλισμό. Ο ατομικός προστατευτικός εξοπλισμός δεν εξουδετερώνει τον κίνδυνο τραυματισμού, παρά μειώνει τα αποτελέσματα ενός τραύματος σε περίπτωση ατυχήματος. Ζητήστε από τον έμπορο να σας βοηθήσει στην εκλογή προστατευτικού εξοπλισμού.



ΠΡΟΕΙΔΟΠΟΙΗΣΗ! Η χρήση προϊόντων που κόβουν, τροχίζουν, τρυπούν, λειανούν ή διαμορφώνουν υλικά μπορεί να παράγουν σκόνη και υδρατμούς που ενδέχεται να περιέχουν επιβλαβή χημικά. Γνωρίστε τις ιδιότητες του υλικού το οποίο επεξεργάζεστε και χρησιμοποιήστε κατάλληλες αναπνευστικές μάσκες.



ΠΡΟΕΙΔΟΠΟΙΗΣΗ! Η μακρόχρονη έκθεση σε θόρυβο μπορεί να προκαλέσει μόνιμη βλάβη στην ακοή. Θα πρέπει πάντα να λαμβάνετε μέτρα προστασίας της ακοής σας. Όταν φοράτε ωτασπίδες έχετε το νοση σας ώστε να ακούσετε τυχόν προειδοποιητικά σήματα ή φωνές. Πάντα να βγάζετε τις ωτασπίδες μόλις σβήσει ο κινητήρας.



ΠΡΟΕΙΔΟΠΟΙΗΣΗ! Υπάρχει πάντοτε κίνδυνος σύνθλιψης κατά την εργασία με μηχανήματα που έχουν κινητά εξαρτήματα. Να χρησιμοποιείτε προστατευτικά γάντια για να αποφύγετε σωματικούς τραυματισμούς.

Χρησιμοποιείτε πάντοτε:

- Προστατευτικό κράνος
- Προστασία ακοής
- Προστατευτικά γυαλιά ή δικτυωτή μάσκα
- Αναπνευστική μάσκα
- Γερά γάντια με καλό κράτημα.
- Εφαρμοστή, ανθεκτική και άνετη επένδυση που επιτρέπει πλήρη ελευθερία κινήσεων.
- Αντιολισθητικές μπότες με χαλύβδινα ψίδια.

Να έχετε υπόψη σας ότι τα ρούχα, μακριά μαλλιά και κοσμήματα μπορεί να μπλεχτούν στα κινητά μέρη.

Άλλος εξοπλισμός προστασίας



ΠΡΟΕΙΔΟΠΟΙΗΣΗ! Ενώ εργάζεστε με το μηχάνημα, ενδέχεται να εμφανιστούν σπινίθες και να ξεσπάσει φωτιά. Διατηρείτε πάντα έναν πυροσβεστήρα σε κοντινή απόσταση από τον τόπο εργασίας.

- Εξοπλισμός πυρόσβεσης
- Έχετε πάντοτε μαζί σας κιβώτιο πρώτων βοηθειών.

Γενικές οδηγίες ασφάλειας

Αυτή ενότητα περιγράφει τις βασικές κατευθύνσεις ασφαλείας για τη χρήση του μηχανήματος. Αυτές οι πληροφορίες δεν υποκαθιστούν σε καμία περίπτωση τις επαγγελματικές ικανότητες και την εμπειρία.

- Διαβάστε προσεκτικά τις Οδηγίες χρήσεως και κατανοήστε το περιεχόμενο πριν χρησιμοποιήσετε το μηχάνημα. **Φυλάσσετε τις προειδοποιήσεις και τις οδηγίες ώστε να ανατρέχετε αργότερα σε αυτές.**
- Να θυμάστε ότι εσείς, ο χειριστής, είστε υπεύθυνος για τη μη έκθεση ανθρώπων ή αντικειμένων σε ατυχήματα ή κινδύνους.
- Το μηχάνημα θα πρέπει να διατηρείται καθαρό. Οποιαδήποτε επιγραφή και ετικέτα θα πρέπει να είναι πλήρως αναγνώσιμη.

Χρησιμοποιείτε πάντοτε κοινή λογική

Δεν είναι δυνατό να καλυφθούν όλες οι περιπτώσεις που ενδέχεται να συναντήσετε. Να είστε πάντα προσεκτικοί και να χρησιμοποιείτε την κοινή λογική. Αν βρεθείτε σε συνθήκες που δεν αισθάνεστε ασφαλή, διακόψτε τη λειτουργία και αναζητήστε τη συμβουλή κάποιου ειδικού. Επικοινωνήστε με τον αντιπρόσωπο, τον υπεύθυνο σέρβις ή έναν πεπειραμένο χρήστη. Μην επιχειρήσετε να εκτελέσετε κάποια εργασία για την οποία δεν είστε βέβαιοι!

ΛΕΙΤΟΥΡΓΙΑ



ΠΡΟΕΙΔΟΠΟΙΗΣΗ! Το μηχάνημα μπορεί να γίνει επικίνδυνο. Η απρόσεκτη ή λανθασμένη χρήση μπορεί να έχει ως αποτέλεσμα σοβαρό ή θανάσιμο τραυματισμό του χειριστή ή άλλων ατόμων.

Ποτέ μην επιτρέπετε σε παιδιά ή άλλα μη εκπαιδευμένα σχετικά με τη χρήση του μηχανήματος άτομα να χρησιμοποιούν ή να πραγματοποιούν εργασίες συντήρησης σε αυτό.

Τα παιδιά δεν πρέπει να παίζουν με τη συσκευή.

Μην επιτρέπετε σε κανέναν άλλον να χρησιμοποιήσει το μηχάνημα αν δεν έχετε βεβαιωθεί ότι γνωρίζει το περιεχόμενο των οδηγιών χρήσης. Ποτέ μην δουλεύετε το πριόνι όταν είστε κουρασμένος, έχετε πει αλκοόλ ή παίρνετε φάρμακα που επηρεάζουν την όρασή σας, την κρίση σας ή τον έλεγχο του σώματός σας.



ΠΡΟΕΙΔΟΠΟΙΗΣΗ! Οι μετατροπές ή/και τα εξαρτήματα που δεν φέρουν καμία εξουσιοδότηση μπορεί να προκαλέσουν σοβαρό τραυματισμό ή θάνατο στο χρήστε ή τρίτα πρόσωπα. Χωρίς άδεια του κατασκευαστή, σε καμία περίπτωση δεν επιτρέπεται μετατροπή του μηχανήματος σε σχέση με τον αρχική του κατασκευή.

Μην κάνετε ποτέ μετατροπές σε αυτό το μηχάνημα έτσι ώστε να διαφέρει από την αρχική του έκδοση, και μην το χρησιμοποιήσετε αν φαίνεται να έχει υποστεί μετατροπές από τρίτους.

Ποτέ μην χρησιμοποιείτε ελαττωματικό μηχανήμα. Ακολουθήστε τις οδηγίες συντήρησης, ελέγχου και σέρβις αυτού του βιβλίου. Ορισμένες εργασίες συντήρησης και σέρβις πρέπει να γίνονται από ειδικευμένο προσωπικό. Βλ. οδηγίες κάτω από την επικεφαλίδα Συντήρηση.

Χρησιμοποιείτε πάντοτε γνήσια ανταλλακτικά.



ΠΡΟΕΙΔΟΠΟΙΗΣΗ! Ποτέ μην επιτρέπετε σε παιδιά να χρησιμοποιήσουν ή να βρεθούν κοντά στο μηχανήμα.



ΠΡΟΕΙΔΟΠΟΙΗΣΗ! Υπερβολική έκθεση σε κραδασμούς μπορεί να προκαλέσει προβλήματα σε αγγεία και νεύρα σε άτομα που έχουν κυκλοφοριακό πρόβλημα. Απευθυνθείτε σε γιατρό εάν διαπιστώσετε συμπτώματα που μπορούν να οφείλονται σε υπερβολική έκθεση σε κραδασμούς. Παραδείγματα τέτοιων συμπτωμάτων είναι μουδιάσματα, έλλειψη αίσθησης, "μυρμηκίαση", "τσιμπήματα", πόνος, έλλειψη ή μείωση της κανονικής δύναμης, αλλαγές στην επιφάνεια και στο χρώμα του δέρματος. Αυτά τα συμπτώματα εμφανίζονται συνήθως στα δάχτυλα, στα χέρια και στους καρπούς. Αυτά τα συμπτώματα μπορεί να αυξηθούν σε χαμηλές θερμοκρασίες.

Ασφάλεια στο χώρο εργασίας

- Ελέγχετε τον περιβάλλοντα χώρο, ώστε να διασφαλίσετε ότι τίποτα δεν μπορεί να αποσπάσει την προσοχή σας και να σας αφαιρέσει τον έλεγχο του μηχανήματος.
- Αποφύγετε τη χρήση σε αντίξοες καιρικές συνθήκες. Για παράδειγμα πυκνή ομίχλη, βροχή, ισχυρό άνεμο, ισχυρό ψύχος, κλπ. Η εργασία με κακές καιρικές συνθήκες είναι κουραστική και μπορεί να οδηγήσει σε επικίνδυνες καταστάσεις, πχ. ολισθηρές επιφάνειες.
- Ποτέ μην αρχίζετε τη δουλειά με το μηχανήμα, εάν ο τόπος εργασίας δεν είναι ελεύθερος και δεν έχετε εξασφαλίσει σταθερή στάση.
- Βεβαιωθείτε ότι η περιοχή εργασίας είναι ικανοποιητικά φωτισμένη ώστε να δημιουργείται ασφαλής τόπος εργασίας.
- Το μηχανήμα δεν πρέπει να χρησιμοποιείται σε περιοχές όπου υπάρχει πιθανότητα πυρκαγιάς ή έκρηξης.

Ασφάλεια με το ηλεκτρικό ρεύμα



ΠΡΟΕΙΔΟΠΟΙΗΣΗ! Πάντα υπάρχει κίνδυνος ηλεκτροπληξίας στα ηλεκτρικά μηχανήματα. Να αποφεύγετε αντίξοες καιρικές συνθήκες και σωματική επαφή με καλούς αγωγούς και μεταλλικά αντικείμενα. Να ακολουθείτε πάντα τις οδηγίες του εγχειριδίου χρήσης, έτσι ώστε να αποφύγετε τους τραυματισμούς.

Ποτέ μην συνδέετε το μηχάνημα σε παροχή εάν το φις ή το καλώδιο έχουν υποστεί ζημιά.

- Ελέγξτε ότι η ηλεκτρική τάση είναι ίδια με αυτή που αναγράφεται στη πινακίδα που βρίσκεται πάνω στο μηχανήμα.
- Ο έλεγχος και/ή η συντήρηση πρέπει να γίνεται με τον κινητήρα σταματημένο, με το βύσμα βγαλμένο από τη πρίζα.

ΛΕΙΤΟΥΡΓΙΑ

- Απενεργοποιείτε πάντα το μηχάνημα προτού αποσυνδέσετε το φως.
- Να το βγάξετε πάντα από την πρίζα σε μεγάλες διακοπές εργασίας.
- Ποτέ με σέρνεται το μεχάνημα από το καλώδιο και ποτέ με βγάξετε το φως από την πρίζα τραβώντας το καλώδιο. Για να αποσυνδέσετε το καλώδιο τροφοδοσίας, κρατήστε το φως.
- Ποτέ μην χρησιμοποιείτε το μηχάνημα εάν κάποιο καλώδιο είναι καταστραμμένο και αναθέστε άμεσα την επισκευή του σε εξουσιοδοτημένο συνεργείο σέρβις.
- Ποτέ μη χειρίζεστε το μηχάνημα σε βάθος νερού που φθάνει τον εξοπλισμό του μηχανήματος. Ο εξοπλισμός μπορεί να υποστεί ζημιά και το μηχάνημα μπορεί να είναι υπό τάση, γεγονός που μπορεί να προκαλέσει προσωπικό τραυματισμό.

Οδηγίες γείωσης



ΠΡΟΕΙΔΟΠΟΙΗΣΗ! Η ακατάλληλη σύνδεση μπορεί να προκαλέσει κίνδυνο ηλεκτροπληξίας. Επικοινωνήστε με ειδικευμένο ηλεκτρολόγο, εάν έχετε αμφιβολίες σχετικά με την ορθή γείωση της συσκευής.

Μην τροποποιείτε το φως. Εάν δεν αντιστοιχεί στην παροχή, αιτήστε την τοποθέτηση κατάλληλης παροχής από ειδικευμένο ηλεκτρολόγο. Εξασφαλίστε την τήρηση των τοπικών κανονισμών και οδηγιών.

Εάν οι οδηγίες γείωσης δεν είναι πλήρως κατανοητές, επικοινωνήστε με ειδικευμένο ηλεκτρολόγο.

- Το μηχάνημα είναι εξοπλισμένο με γειωμένο καλώδιο και φως και πρέπει πάντα να συνδέεται σε γειωμένη παροχή. Αυτό μειώνει τον κίνδυνο ηλεκτροπληξίας στην περίπτωση δυσλειτουργίας.
- Απαγορεύεται η χρήση προσαρμογέων με το μηχάνημα.

Σύρματα και καλώδια επέκτασης

- Η σύμμανση στο καλώδιο επέκτασης πρέπει να είναι η ίδια ή υψηλότερη από την τιμή που ορίζεται στην πινακίδα στοιχείων του μηχανήματος.
- Χρησιμοποιήστε γειωμένα καλώδια επέκτασης.
- **Όταν χρησιμοποιείτε ένα ηλεκτρικό εργαλείο σε εξωτερικό χώρο, χρησιμοποιήστε καλώδιο επέκτασης για χρήση σε εξωτερικό χώρο.** Ε χρήση καλωδίου κατάλληλου για χρήση σε εξωτερικό χώρο, μειώνει τον κίνδυνο ηλεκτροπληξίας.
- Διατηρήστε τη σύνδεση με το καλώδιο επέκτασης στεγνή και μακριά από το έδαφος.
- Διατερείτε το καλώδιο μακριά από θερμότητα, λάδια, αιχμηρές άκρες ή κινούμενα μέρη. Εάν το

καλώδιο καταστραφεί ή εμπλακεί, αυξάνεται ο κίνδυνος ηλεκτροπληξίας.

- Βεβαιωθείτε ότι τα καλώδια είναι άθικτα και σε καλή κατάσταση. Μην χρησιμοποιείτε ποτέ το μηχάνημα εάν κάποιο καλώδιο ή βύσμα είναι καταστραμμένο και αναθέστε άμεσα την επισκευή του σε εξουσιοδοτημένο συνεργείο σέρβις.
- Μην χρησιμοποιείτε καλώδια επέκτασης που είναι τυλιγμένα, έτσι ώστε να αποφύγετε την υπερθέρμανσή του.
- Φροντίστε να έχετε το καλώδιο πίσω σας όταν χρησιμοποιείτε το μηχάνημα για να μην του προκαλέσετε φθορά.

Εργαστείτε με ασφάλεια

- Μην αφήνετε ποτέ το μηχάνημα χωρίς επίβλεψη όταν ο κινητήρας λειτουργεί.
- Βεβαιωθείτε ότι υπάρχει πάντα κάποιος κοντά όταν χρησιμοποιείτε τα μηχανήματα, προκειμένου να ζητήσετε βοήθεια σε περίπτωση ατυχήματος.
- Διατηρήστε όλα τα εξαρτήματα σε εύρυθμη κατάσταση και φροντίστε να είναι καλά σφιγμένα όλα τα αγκύρια.
- Το μεχάνημα πρέπει να τίθεται σε λειτουργία μόνο όταν οι κεφαλές λείανσης ακουμπούν στο έδαφος, εκτός αν εκτελείται κάποια διαδικασία ελέγχου όπως περιγράφεται στο παρόν εγχειρίδιο.
- Το μεχάνημα δεν πρέπει να τίθεται σε λειτουργία αν δεν έχει προσαρτηθεί ε ελαστική ποδιά σκόνης, ίναι απαραίτητο να εξασφαλιστεί καλή στεγανοποίηση μεταξύ του μηχανήματος και του δαπέδου για λόγους ασφαλείας, ειδικά όταν λειτουργεί σε εφαρμογές ξερής λείανσης.

Μεταφορά και αποθήκευση

- Πρέπει να δοθεί ιδιαίτερη προσοχή κατά τη χειροκίνητη μετακίνηση του μηχανήματος πάνω σε κεκλιμένο επίπεδο. Ακόμα και ε πιο μικρή κλίση μπορεί να προκαλέσει δυνάμεις/ορμή που δεν θα μπορείτε να φρενάρετε το μεχάνημα με χειροκίνητο τρόπο.
- Το μεχάνημα δεν πρέπει να ανυψώνεται από τις χειρολαβές, τον κινητήρα, το σασί ή άλλα μέρη. Ο καλύτερος τρόπος μεταφοράς του μηχανήματος είναι πάνω σε παλέτα/πέδιλο όπου το μεχάνημα θα έχει στερεωθεί με ασφάλεια.
- Σε καμία περίπτωση δεν θα πρέπει να προσπαθήσετε να ανασκώσετε το μεχάνημα χωρίς κάποιο μηχανικό μέσο, όπως βαρούλκο ή περονοφόρο όχημα.
- Μην επιχειρήσετε να περάσετε τα δόντια περονοφόρου ανυψωτικού οχήματος κάτω από τις κεφαλές λείανσης, εκτός αν βρίσκονται πάνω σε παλέτα/πέδιλο. Διαφορετικά, μπορεί να προκληθεί απεπρόσμενη ζημιά στις κεφαλές λείανσης και στα εσωτερικά εξαρτήματα του μηχανήματος.

ΛΕΙΤΟΥΡΓΙΑ

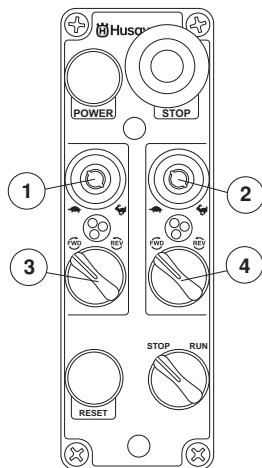
- Ασφαλίστε τον εξοπλισμό κατά τη διάρκεια οποιασδήποτε μεταφοράς, ώστε να αποφεύγετε τυχόν βλάβες και ατυχήματα.
- Το μηχάνημα πρέπει να μεταφέρεται καλυμμένο, όπου είναι δυνατό, περιορίζοντας την έκθεση σε φυσικά στοιχεία και ιδιαίτερα στη βροχή και το χιόνι.
- Κατά τη μεταφορά, είναι σημαντικό να βεβαιώνετε ότι τα μηχανήματα είναι στερεωμένα κατάλληλα καθ' όλη τη διάρκεια, ώστε να αποκλείσετε τεν «αναπήδесе» των μεταβλετών ταχυτήτων κίνεσης. Βεβαιωθείτε ότι το σασί ή το πλαίσιο του μηχανήματος είναι συνεχώς ασφαλισμένο κατά τη μεταφορά.
- Να αποθηκεύετε τον εξοπλισμό σε κλειδωμένο χώρο, ώστε να μην είναι προσβάσιμος σε παιδιά και μη εξουσιοδοτημένα άτομα.
- Το μεχάνημα θα πρέπει να αποθηκεύεται πάντα σε ξερό μέρος όταν δεν χρησιμοποιείται.

Ταχύτητα και κατεύθυνσε

Γενικά

Η πλανητική κεφαλή και οι κεφαλές λείανσε λειτουργούν με ξεχωριστά μοτέρ, χάρη στην τεχνολογία Dual Drive TechnologyΣ. Αυτή η τεχνολογία παρέχει στο χειριστή πλήρη έλεγχο της πλανητικής κεφαλής και των κεφαλών δορυφορικού τύπου ως προς την ταχύτητα και την κατεύθυνση περιστροφής.

Η ταχύτητα και η κατεύθυνση περιστροφής ρυθμίζονται μέσω των χειριστηρίων στο ταμπλό ελέγχου.



- 1 Έλεγχος κατεύθυνσε για περιστροφή τεσ πλανητικής κεφαλής.
- 2 Έλεγχος ταχύτετασ για κεφαλές λειοτριβείου.
- 3 Έλεγχος κατεύθυνσε για περιστροφή τεσ πλανητικής κεφαλής.
- 4 Έλεγχος κατεύθυνσε για κεφαλές λειοτριβείου.

Στροφές

Κατά την πρώτη εκκίνηση του μηχανήματος σε οποιαδήποτε εφαρμογή, συνιστάται η ρύθμιση της ταχύτητας να μην ξεπερνά αρχικά την τιμή 7.

Όταν ο χειριστής αισθάνεται άνετα με τεν εφαρμογή, ε ταχύτητα μπορεί να αυξεθεί.

Φορά περιστροφής

Η κατεύθυνση περιστροφής, η οποία φαίνεται κάτω από το μηχάνημα, έχει ως εξής:

- REV - Δεξιόστροφα.
- FWD - Αριστερόστροφα.

Το μηχάνημα θα 'κινηθεί' προς μία κατεύθυνση κατά τη λειτουργία. Ε κατεύθυνσε τεσ έλξεσ καθορίζεται από τε φορά περιστροφής τεσ πλανητικής κεφαλής. Ε κεφαλή του μηχανήματος θα τραβά προς τα δεξιά (και, επομένωσ, θα γίνεται αισθητή στο δεξίο γοφό του χειριστή) όταν ε πλανητική κεφαλή έχει ρυθμιστεί στεν κατεύθυνσε REV.

Αυτή ε πλευρική έλξεσ μπορεί να είναι πολύ χρήσιμη κατά τε λείανσε, ειδικά κατά μήκοσ τοίχων. Ρυθμίστε το μεχάνημα ώστε να τραβά προς τον τοίχο και, στε συνέχεια, ελέγξτε το μεχάνημα ώστε να μπορεί απλόσ να ακουμπά στον τοίχο. Αυτό θα διασφαλίσει λείανσε κοντά στον τοίχο ή στο αντικείμενο.

ΣΗΜΕΙΩΣΗ! Ε πλανητική κεφαλή και οι κεφαλές λείανσεσ έχουν ρυθμιστεί ώστε να περιστρέφονται κατά τεν ίδια φορά (δελαδη, και οι δυο δεξιόστροφα ή και οι δυο αριστερόστροφα).

Όταν η πλανητική κεφαλή και οι κεφαλές δίσκων λείανσεσ λειτουργούν προς την ίδια κατεύθυνση, δημιουργείται μια πιο ισχυρή δύναμη λείανσεσ. Το τελικό αποτέλεσμα είναι υψελότερη παραγωγικότητα από όταν οι δίσκοι είναι ρυθμισμένοι να λειτουργούν σε αντίθετεσ κατεύθυνσεσ. Σε αυτό το σημείο θα αισθανθείτε το όφελος τεσ Τεχνολογίασ Διπλήσ Κίνεσεσ (Dual Drive TechnologyΣ).

Για τε βελτίωση τεσ αποδοτικότητασ κοπήσ των διαμαντιών, να αλλάζετε τακτικά τεσ κατεύθυνσεσ. Έτσι θα χρησιμοποιούνται και οι δυο πλευρές των κρυστάλλων, διατερώντας έτσι τα αποξεστικά όσο το δυνατό πιο αιχμερά προκαλώντας τε μέγιστε δυνατή έκθεση του κρυστάλλου του διαμαντιού.

ΛΕΙΤΟΥΡΓΙΑ

Ρύθμιση Ταχύτητας και κατεύθυνσης

Ε ρύθμιση της ταχύτητας και της κατεύθυνσης είναι συχνά θέμα προσωπικής επιλογής. Προτείνουμε στους χειριστές να πειραματίζονται ώστε να βρουν ποιες ρυθμίσεις ταιριάζουν καλύτερα στις συγκεκριμένες εφαρμογές τους. Στον παρακάτω πίνακα δίνονται ορισμένες προτεινόμενες ρυθμίσεις για διαφορετικές εφαρμογές.

Συνθήκες χρήσης	Έλεγχος κατεύθυνσης για περιστροφή της πλανητικής κεφαλής.	Έλεγχος κατεύθυνσης για περιστροφή της πλανητικής κεφαλής.	Έλεγχος κατεύθυνσης για κεφαλές λειοτριβείου.	Έλεγχος ταχύτητας για κεφαλές λειοτριβείου.
Αφαίρεση κόλλας κεραμικών πλακιδίων	FWD	6-7	FWD	8-10
Αφαίρεση κόλλας χαλιών	FWD	5-7	FWD	8-10
Αφαίρεση εποξικής βαφής	FWD	5-10	FWD	8-10
Σκυρόδεμα που έχει φθαρεί από τη βροχή	FWD	7-10	FWD	8-10
Ξομάλυνση εκτεθειμένου αδρανούς υλικού	FWD	7-8	FWD	8-10
Αφαίρεση άκρων σε μωσαϊκό / πέτρινα πλακίδια	FWD	5-7	FWD	8-10
Στίλβωση σκυροδέματος με εργαλεία με πλαστικό συνδετικό υλικό	FWD	10	FWD	8-10
PIRANHAS εργαλείο απόξυσης	REW	3-5	REW	3-5
Διαδικασία επανάληψης σιμεντένευσε κατά τη διεργασία HiPERFLOORΣ	FWD	8-10	FWD	3-5

ΣΗΜΕΙΩΣΗ! Στον παραπάνω πίνακα, τα FWD & FWD αναφέρονται μαζί υποδεικνύοντας ρυθμίσεις κατεύθυνσης στον ίδια κατεύθυνση (επίσης μπορεί να είναι REV / REV). Ε μόνη εφαρμογή όπου οι ρυθμίσεις κατεύθυνσης πρέπει να είναι στον ίδια κατεύθυνση είναι κατά τη χρήση των εργαλείων απόξυσης PIRANHAS. Σε αυτή τη συγκεκριμένη εφαρμογή η ρύθμιση πρέπει να είναι στην κατεύθυνση REV / REV.

ΛΕΙΤΟΥΡΓΙΑ

Βασικές τεχνικές εργασίες

Γενικά

Τα μηχανήματα λείανσης επιφανειών Husqvarna PG 680/820 είναι σχεδιασμένα για υγρή ή στεγνή λειτουργία σε μαρμάρινο, terrazzo, γρανίτη και σκυροδέματα. Οι εφαρμογές τους ποικίλουν από χονδρή λείανση μέχρι λεπτό φινιρίσμα.

Προτείνεται η χρήση του συστήματος απαγωγής σκόνης Husqvarna DC 6000 για πλήρη έλεγχο της παραγόμενης σκόνης.

Μεχανισμοί μετάδοσης κίνησης μεταβλητής ταχύτητας/ μετατροπές συχνότητας



ΠΡΟΕΙΔΟΠΟΙΗΣΗ! Ο κινητήριος μηχανισμός ταχύτητας/μετατροπής συχνότητας μπορούν να χρησιμοποιηθούν μόνο από εξουσιοδοτημένο προσωπικό. Κίνδυνος ηλεκτροπληξίας!

Το κάθε μηχανήμα Husqvarna PG 680 & 820 είναι εξοπλισμένο με 2 μεταβλητές ταχύτητες κίνησης ή μετατροπές συχνότητας. Αυτή η μονάδα έχει ενσωματωθεί στο μηχανήμα για τους εξής λόγους:

Λειτουργία

- Κατευθύνετε τον εισερχόμενο ισχύ έτσι ώστε να καθίσταται δυνατή η αύξηση της ταχύτητας και η αλλαγή κατεύθυνσης.
- Ρυθμίστε τον παροχή ισχύος και τάσης στους κινητήρες για να διασφαλίσετε ότι οι κινητήρες λειτουργούν στα βέλτιστα επίπεδα (π.χ. ενίσχυση ροπής).

Προστασία

- Παρακολουθείτε τον εισερχόμενο ισχύ για διασφαλίσει την καταλληλότητα για το μηχανήμα και την εφαρμογή που πραγματοποιείται.
- Έλεγχος του ρεύματος που καταναλώνεται από τους κινητήρες ώστε να εξασφαλίζεται ότι οι κινητήρες λειτουργούν εντός των ορίων ασφαλούς λειτουργίας (για αποφυγή τυχόν βλάβες των κινητήρων).
- Παρακολουθήστε του φορτίου του μηχανήματος για να εξασφαλίζεται ότι το τριβείο δεν υπερφορτώνεται, προσφέροντας έτσι προστασία για τον μίαντα, τα ρουλεμάν και άλλα εσωτερικά εξαρτήματα.
- Προστασία των κινητήρων από λάθος ηλεκτρική τροφοδοσία (π.χ. λειτουργία με 2-φασική τάση).

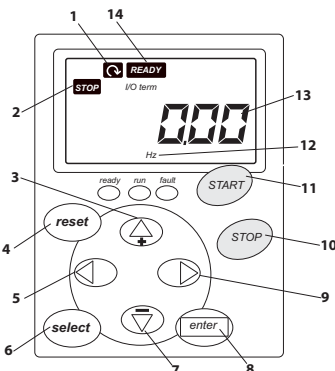
Διάγνωση

- Αναγνωρίζει ηλεκτρικές βλάβες με το μηχανήμα και καταχωρεί τον κωδικό βλάβες.
- Έχει μενού παρακολούθησης που βοεθούν στον απομόνωση της αιτίας των πιθανών ηλεκτρικών βλαβών.

Τα μενού παρακολούθησης επίσης δίνουν τη δυνατότητα στο χειριστή να μετρήσει πόσο δυνατά λειτουργεί το μηχανήμα. Παρόλο που δεν είναι απαραίτητο να είναι ο χειριστής πλήρως εξοικειωμένος με κάθε λειτουργία των μεταβλητών ταχυτήτων κίνησης ή των μετατροπών συχνότητας, είναι χρήσιμο να γνωρίζει τους κωδικούς βλάβες καθώς και μερικά από τα μενού παρακολούθησης.

Πλεκτρολόγιο/Οθόνη ενδείξεων

Κάθε σύστημα μετάδοσης κίνησης μεταβλητής ταχύτητας ή κάθε μετατροπής συχνότητας διαθέτει ένα ηλεκτρολόγιο, που θα έχει την ακόλουθη εμφάνιση όταν το μηχανήμα είναι συνδεδεμένο στην παροχή ρεύματος.



- 1 Κατεύθυνση λειτουργίας (εμπρός ή πίσω)
- 2 Δείχνει αν η μονάδα λειτουργεί ή όχι
- 3 Πλήκτρο πάνω
- 4 Κουμπί επαναφοράς
- 5 Πλήκτρο αριστερά
- 6 Κουμπί Select
- 7 Πλήκτρο κάτω
- 8 Κουμπί Enter
- 9 Πλήκτρο δεξιά
- 10 Σταμάτημα
- 11 Εκκίνηση
- 12 Τρόπος εξόδου (Hz σε αυτό το παράδειγμα)
- 13 Τιμή εξόδου
- 14 Ενδειξη READY

ΛΕΙΤΟΥΡΓΙΑ

Οθόνες παρακολούθησης	Πληροφορίες που δίνονται
OUTPUT FREQUENCY (Συχνότητα εξόδου)	Συχνότητα στεν οποία λειτουργεί ο κινητήρας όταν λειτουργεί το μεχάνημα.
REF. FREQUENCY (Συχνότητα αναφοράς)	Συχνότητα στεν οποία έχει ρυθμιστεί ο επιλογέας ελέγχου ταχύτητας.
MOTOR SPEED (Ταχύτητα κινητήρα)	Ταχύτητα του κινητήρα όταν λειτουργεί το μεχάνημα.
MOTOR CURRENT (Ένταση ρεύματος κινητήρα)	Ένταση ρεύματος κινητήρα όταν λειτουργεί το μεχάνημα.
MOTOR TORQUE (Ροπή κινητήρα)	Ποσοστό ροπής κινητήρα όταν λειτουργεί το μεχάνημα.
MOTOR POWER (Ισχύς κινητήρα)	Ποσοστό ισχύος κινητήρα όταν λειτουργεί το μεχάνημα.
MOTOR VOLTAGE (Τάση κινητήρα)	Ποσοστό τάσης κινητήρα όταν λειτουργεί το μεχάνημα.
DC LINK VOLTAGE (Τάση σύνδεσης DC)	Δείχνει την ποιότητα της ηλεκτρικής τροφοδοσίας.

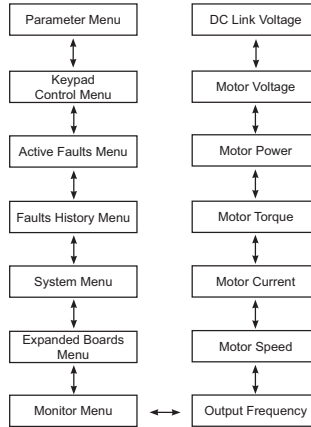
Το δέντρο των μενού που απεικονίζεται σε αυτή τη σελίδα περιγράφει τις σημαντικές επιλογές μενού που παρέχουν χρήσιμες πληροφορίες για παρακολούθηση και διαγνωστικούς λόγους κατά τη χρήση του μηχανήματος.

Όπως φαίνεται από το δένδρο του μενού στα δεξιά, όταν το μεχάνημα είναι σε λειτουργία, οι μηχανισμοί μετάδοσης κίνησης μεταβλητής ταχύτητας, ή μετατροπείς συχνότητας, έχουν ρυθμιστεί ώστε να εμφανίζουν τη συχνότητα εξόδου προς τον κινητήρα (εμφανίζεται μεδενική τιμή όταν το μεχάνημα είναι σε κατάσταση αναμονής).

Ε σελίδα Συχνότητας ξόδου επίσης κατατάσσεται υπό το Μενού Παρακολούθησης.

Μπορείτε να το δείτε από την αριστερή στήλη, τα δύο βασικότερα μενού που είναι σημαντικά για το χειριστή είναι το Μενού Παρακολούθησης και το μενού Ιστορικού Βλαβών.

Ε πλοήγησε μέσα στο δένδρο του μενού γίνεται με τα πλήκτρα πάνω, κάτω, αριστερά και δεξιά του πλεκτρολογίου (δείτε την προηγούμενη σελίδα).



Μενού και πληροφορίες που παρέχουν

Τα παρακάτω στοιχεία μενού/οθόνες στους μηχανισμούς μετάδοσης κίνησης μεταβλητής ταχύτητας/μετατροπείς συχνότητας δίνουν τις παρακάτω χρήσιμες πληροφορίες στο χειριστή.

OUTPUT FREQUENCY (Συχνότητα εξόδου) (Μενού Monitor)

Αυτή η οθόνη δείχνει στο χειριστή τη συχνότητα στεν οποία λειτουργεί ο κινητήρας όταν λειτουργεί το μεχάνημα. Ε τιμή της συχνότητας εξόδου πρέπει να είναι σταθερή όταν λειτουργεί το μεχάνημα. Αν υπάρχει διακύμανση στη συχνότητα εξόδου όταν λειτουργεί το μεχάνημα, γενικά αυτό σημαίνει ότι ο κινητήρας λειτουργεί στο όριο, ή κοντά στο όριο, της προγραμματισμένες έντασης ρεύματος. Τα όρια έντασης ρεύματος (έχουν προκαθοριστεί και ρυθμιστεί από το Husqvarna Constructions Products) είναι τα εξής:

- Μεγάλος κινητήρας (οι οποίες πληροφορίες βρίσκονται σε μεγάλη μεταβλητή ταχύτητα κίνησης/μετατροπέα συχνότητας) – 25 αμπέρ.
- Μικρός κινητήρας (οι οποίες πληροφορίες βρίσκονται σε μικρή μεταβλητή ταχύτητα κίνησης/μετατροπέα συχνότητας) – 5 αμπέρ.

Αν υπάρχει διακύμανση στη συχνότητα εξόδου όταν λειτουργεί το μεχάνημα, προτείνεται να ελέγξετε και την ένταση του ρεύματος στον κινητήρα. Αυτή την ένδειξη μπορείτε να τη βρείτε αν πατήσετε το βέλος ΠΑΝΩ του πλεκτρολογίου 3 φορές. Για λειτουργία χωρίς προβλήματα που αφορούν τρέχοντα ζητήματα, είναι καλύτερο να διατερέιτε την ισχύ εξόδου στα περίπου 21 αμπέρ (για μεγάλο κινητήρα). Ε κατανάλωση ρεύματος του κινητήρα μπορεί να ελαττωθεί με αντίστοιχη μείωση της ταχύτητας του κινητήρα με χρήση του επιλογέα ταχύτητας που βρίσκεται στον πίνακα ελέγχου, κοντά στις χειρολαβές.

ΛΕΙΤΟΥΡΓΙΑ

Σε γενικές γραμμές, τα περισσότερα προβλήματα υπερέντασης θα σχετίζονται με το μεγάλο κινητήρα (και συνεπώς θα παρακολουθούνται στενώς με μεγάλη μεταβλητή ταχύτητα κίνησης / μετατροπέα συχνότητας). Διατηρήστε την υπερένταση ισχύος στο μικρό κινητήρα κάτω από 3,5 αμπέρ για σταθερή λειτουργία.

MOTOR CURRENT (Ένταση ρεύματος κινητήρα) (Μενού Monitor)

Αυτή η οθόνη εμφανίζει την υπερένταση ισχύος του αντίστοιχου κινητήρα (δελαδή μεγάλε μεταβλητή ταχύτητα κίνησης / μετατροπέας συχνότητας παρακολουθεί τη λειτουργία του μεγάλου κινητήρα και η μικρή μεταβλητή ταχύτητα κίνησης / μετατροπέας συχνότητας παρακολουθεί τη λειτουργία του μικρού κινητήρα) όταν λειτουργεί ο κινητήρας.

Δείτε τις παρατηρήσεις σχετικά με την ένταση του ρεύματος του κινητήρα που υπάρχουν στην ενότητα "OUTPUT FREQUENCY".

DC LINK VOLTAGE (Τάση σύνδεσης DC) (Μενού Monitor)

Σε αυτή την οθόνη εμφανίζεται η ποιότητα της ηλεκτρικής τροφοδοσίας προς το μηχανήμα. Θα διαβάσει υψηλότερες τιμές όταν το μηχανήμα βρίσκεται σε κατάσταση αναμονής, και χαμηλότερες τιμές όταν το μηχανήμα λειτουργεί.

FAULT HISTORY

Στο μενού ιστορικού σφαλμάτων αποθηκεύεται η τελευταία σειρά σφαλμάτων που εμφανίστηκαν στο μηχανισμό μετάδοσης κίνησης μεταβλητής ταχύτητας, ή μετατροπέα συχνότητας. Αν υπάρχει επαναλαμβανόμενο προφίλ σφαλμάτων που παρουσιάζονται στο μηχανήμα, μπορείτε να πάρετε αυτές τις πληροφορίες από το μενού ιστορικού σφαλμάτων. Για περισσότερες βλάβες, δείτε την αντιμετώπιση βλαβών.

ΞΕΚΙΝΗΜΑ ΚΑΙ ΣΤΑΜΑΤΗΜΑ

Προτού Ξεκινήσετε



ΠΡΟΕΙΔΟΠΟΙΗΣΗ! Διαβάστε προσεκτικά τις Οδηγίες χρήσεως και κατανοήστε το περιεχόμενο πριν χρησιμοποιήσετε το μηχάνημα.

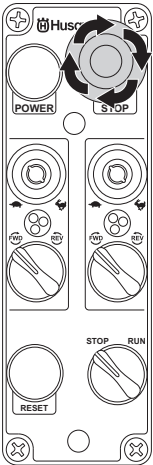
Χρησιμοποιείτε ατομικό προστατευτικό εξοπλισμό. Βλ. τις οδηγίες στο κεφάλαιο "Ατομικός προστατευτικός εξοπλισμός"

Βεβαιωθείτε ότι δεν υπάρχουν άσχετα πρόσωπα στην περιοχή εργασίας, διαφορετικά υπάρχει κίνδυνος σοβαρών τραυματισμών.

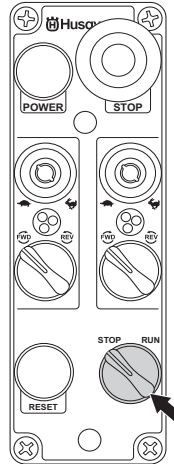
- Βεβαιωθείτε ότι το μηχάνημα είναι σωστά συναρμολογημένο και δεν φέρει καμία ένδειξη ζημιάς. Συμβουλευθείτε τις οδηγίες που παρατίθενται στην ενότητα "Συναρμολόγηση και προσαρμογές".
- Εκτελείτε ημερήσια συντήρηση. Ανατρέξτε στις οδηγίες της ενότητας με τίτλο "Συντήρηση".

Εκκίνηση

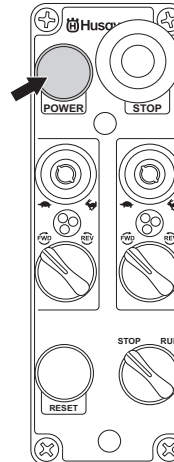
- Ελέγξτε ότι το κουμπί έκτακτης ανάγκης δεν έχει πατηθεί, στρέφοντας τα δεξιόστροφα.



- Ελέγξτε ότι ο διακόπτης STOP/RUN έχει οριστεί στη θέση STOP.



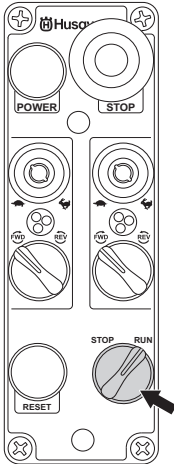
- Πατήστε το κουμπί λειτουργίας. Όταν το κάνετε αυτό, θα πρέπει να ακουστεί ένα ελαφρύ μεταλλικό ήχος από το εσωτερικό του ηλεκτρικού ερμαρίου. Αυτό σημαίνει ότι έχουν εμπλακεί οι επαφές της γραμμής, παρέχοντας ισχύ στους μηχανισμούς μετάδοσης κίνησης/στους μετατροπείς συχνότητας.



- Για να μειώσετε την πίεση ανάμεσα στο δίσκο τροχίσματος και το δάπεδο, σπρώξτε προς τα κάτω τη χειρολαβή χωρίς να ανασφώσετε τη μονάδα τροχίσματος από το δάπεδο.
- Θέστε το μηχανέμα σε λειτουργία χρησιμοποιώντας το διακόπτη STOP/RUN στον πίνακα ελέγχου. Το μηχανέμα θα πρέπει να ξεκινήσει ομαλά και να

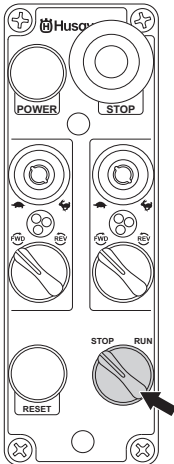
ΞΕΚΙΝΗΜΑ ΚΑΙ ΣΤΑΜΑΤΗΜΑ

επιταχύνει έως την επιλεγμένη ταχύτητα σε ένα διάστημα 5 δευτερολέπτων.



Σταμάτημα

Περιστρέψτε το διακόπτη STOP/RUN στη θέση "STOP".



ΣΥΝΤΗΡΗΣΗ

Γενικά



ΠΡΟΕΙΔΟΠΟΙΗΣΗ! Ο χρήστης επιτρέπεται να κάνει μόνο όσες εργασίες επισκευής και συντήρησης περιγράφονται σε αυτό το εγχειρίδιο χρήσης. Περαιτέρω εργασίες πρέπει να εκτελούνται μόνο από εξουσιοδοτημένο συνεργείο επισκευών.

Το μηχάνημα θα πρέπει να απενεργοποιείται με το καλώδιο τροφοδοσίας αποσυνδεδεμένο από την έξοδο.

Χρησιμοποιείτε ατομικό προστατευτικό εξοπλισμό. Βλ. τις οδηγίες στο κεφάλαιο "Ατομικός προστατευτικός εξοπλισμός"

Η διάρκεια ζωής της μηχανής μπορεί να μειωθεί ενώ και ο κίνδυνος για ατυχήματα είναι μεγαλύτερος στην περίπτωση που δεν πραγματοποιείται η σωστή συντήρηση της μηχανής καθώς και εάν η επισκευή δε γίνεται με επαγγελματικό τρόπο. Εάν θέλετε περισσότερες πληροφορίες, επικοινωνήστε με το πλησιέστερο συνεργείο.

Θα πρέπει να απευθύνεστε στον αντιπρόσωπο της Husqvarna για τον τακτικό έλεγχο του μηχανήματος και για την εκτέλεση των βασικών ρυθμίσεων και επισκευών.

Πρόγραμμα συντήρησης

	Καθημερινή φροντίδα	Εβδομαδιαία φροντίδα	Κάθε 6 μήνες	Μετά από 12-36 μήνες
Καθαρισμός	Εξωτερικός καθαρισμός		Εσωτερικά εξαρτήματα μηχανήματος	
Έλεγχος λειτουργίας	Γενικός έλεγχος	Σύστημα πλανητικής κίνεσης		
	Κεφαλές λείανσης			
	Κουμπί POWER			
	Διακόπτης STOP/RUN			
	Διακοπή έκτακτης ανάγκης			
	Προστατευτικό κάλυμμα			
Σέρβις				Σύστημα Κίνεσης Κεφαλών Λείανσης

ΣΥΝΤΗΡΗΣΗ

Λίστα ελέγχου συντήρησης

Εξωτερικοί μηχανικοί έλεγχοι	Χρόνος που απαιτείται (λεπτά)
Γείρετε τη μονάδα προς τα πίσω. Ελέγξτε για τυχόν αδαμαντοφόρα εργαλεία και αφαιρέστε τα	2
Ελέγξτε το κάλυμμα για φθορές που μπορεί να επηρεάζουν την περιστροφή της πλανητικής κεφαλής, την περιστροφή των κεφαλών δορυφορικού τύπου, την απόδοση της τσιμούχας πλανητικής κεφαλής και την απόδοση αποκονίωσης	5
Αποσυνδέστε το πλανητικό σύστημα μετάδοσης κίνησης για μείωση του θορύβου λειτουργίας. Λειτουργήστε τους δίσκους στις ταχύτητες που παρατηρούνται θόρυβοι λόγω σπασμένων ρουλεμάν	5
Αποσυνδέστε το μικρό μοτέρ και λειτουργήστε τους δίσκους σε χαμηλή ταχύτητα. Ελέγξτε τον τρόπο λειτουργίας των δίσκων	5
Ελέγξτε την κατάσταση του μάντα. Ελέγξτε ότι το εσωτερικό του μηχανήματος είναι καθαρό	10
Ελέγξτε τα ασφαλιστικά εξαρτήματα κεφαλών και σφίξτε τα (3 ανά κεφαλή δορυφορικού τύπου), εάν είναι απαραίτητο	5
Ελέγξτε τις κινήσεις των κεφαλών δορυφορικού τύπου. Αν δεν λειτουργούν σωστά, αποσυναρμολογήστε όλες τις κεφαλές.	15
Ελέγξτε προσεκτικά το χαλύβδινο ελατήριο με έλασμα και το ελατήριο απόσβεσης κραδασμών για φθορές	10
Ελέγξτε τις τσιμούχες σκόνης για φθορές	5
Αποσυνδέστε το μεγάλο μοτέρ και αντικαταστήστε το μικρό μοτέρ. Λειτουργήστε την πλανητική κεφαλή στις διάφορες ταχύτητες και παρατηρήστε τη λειτουργία.	5
Ελέγξτε την κατάσταση του οδοντωτού τροχού και του γρναζιού αλυσίδας του κιβωτίου ταχυτήτων πλανητικού συστήματος μετάδοσης κίνησης. Αντικαταστήστε εάν είναι απαραίτητο.	5
Όταν αφαιρέσετε το πλανητικό σύστημα μετάδοσης κίνησης, ελέγξτε εάν υπάρχει σκόνη στην πάνω πλευρά. Ελέγξτε την κατάσταση της τσιμούχας της πλανητικής κεφαλής. Αντικαταστήστε εάν είναι απαραίτητο.	20

Καθαρισμός



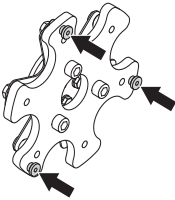
ΠΡΟΕΙΔΟΠΟΙΗΣΗ! Μην καθαρίζετε το μηχανήμα με ψεκασμό νερού ή παρόμοια μέσα.

Εξωτερικός καθαρισμός

Έλεγχος λειτουργίας

Γενικός έλεγχος

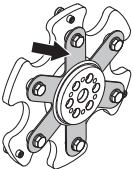
- Ελέγξτε ότι το καλωδιο και το καλβδιο μπαλαντέζας είναι ακέραια και σε καλή κατάσταση.
- Βεβαιωθείτε ότι τα μπουλόνια και τα παξιμάδια είναι σφιγμένα.
- Βεβαιωθείτε ότι οι κεφαλές είναι σφικτά ασφαλισμένες. Σφίξτε τους μηχανισμούς ασφάλισης των κεφαλών και επανατοποθετήστε μίγμα σύσφιξης περικοχλίου αν απαιτείται (Συστήνεται το μίγμα σύσφιξης περικοχλίου Loctite 680).



Κεφαλές λείανσης

Επειτα από εκτεταμένο χρονικό διάστημα το ελατήριο χάλυβα ελατερίου καταπονείται και τα "δάχτυλα" χάλυβα ελατερίου αρχίζουν να σπάνε. Αυτό δημιουργεί ασταθή κίνηση μέσα στις κεφαλές λειοτρίβουσες και θα προκαλέσει δόνηση όταν το μηχανήμα βρίσκεται σε λειτουργία.

Συστήνεται να γίνονται τακτικοί έλεγχοι για σπασμένα "δάχτυλα" στις κεφαλές λειοτρίβουσες χάλυβα ελατερίου. Ε αναμενόμενε διάρκεια ζωής των κεφαλών λειοτρίβουσες ποικίλει από 6 μέχρι 12 μήνες, ανάλογα με τον ποσότητα χρήσης.



Υπάρχουν διαθέσιμα ελατήρια χάλυβα ελατερίου αντικατάστασης και μπορούν να αντικατασταθούν χωρίς να χρειαστεί να πετάξετε τον κεφαλή λειοτρίβουσες.

Οι κεφαλές χάλυβα ελατερίου μπορούν επίσης να γίνουν λιγότερο ελαστικές προσθέτοντας ένα δεύτερο ελατήριο χάλυβα ελατερίου.

Σύστημα πλανητικής κίνησης

Το πλανητικό σύστημα μετάδοσης κίνησης αποτελείται από τον οδοντωτό τροχό (που κινεί το γρανάζι αλυσίδας) και το γρανάζι αλυσίδας. Αυτό το σύστημα είναι ένα ξερό σύστημα (δελαιδή δεν απαιτείται κάποιο λιπαντικό μεταξύ του γραναζιού πλανητικής κίνησης και του δακτυλίου της αλυσίδας), επιτρέποντας τυχόν σκόνες που εισέρχονται στο δακτύλιο της αλυσίδας να φύγουν πάλι προς τα έξω.

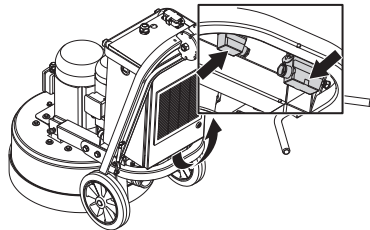
ΣΗΜΕΙΩΣΗ! Ε λίπασε αυτού του συστήματος θα κάνει τη σκόνε να συσσωρευτεί στο δακτύλιο της αλυσίδας και θα μικρύνει δραστικά τη διάρκεια ζωής του δακτυλίου της αλυσίδας, καθώς και του γραναζιού πλανητικής κίνησης.

Καθώς ο δακτύλιος της αλυσίδας και το γρανάζι πλανητικής κίνησης βρίσκονται κάτω από το κάλυμμα του μηχανήματος, αλλά στο εξωτερικό του μηχανήματος, αυτό παρέχει τη δυνατότητα έκθεσης σε σκόνες και άλλα απορρίματα που δημιουργούνται κατά τη διαδικασία λειοτρίβουσες.

Για να αποφευχθεί αυτό όσο περισσότερο γίνεται, μια πλανητική σφραγίδα έχει εγκατασταθεί για να μην αφήνει τη σκόνε και άλλα σωματίδια να έρχονται σε επαφή με το μηχανισμό πλανητικής κίνησης.

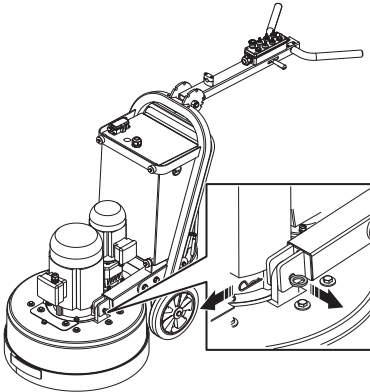
Έλεγχος τσιμούχας πλανητικής κεφαλής

- Αποσυνδέστε το καλωδιο ρεύματος του μοτέρ πλανητικής κεφαλής και του μοτέρ κεφαλής λείανσης.

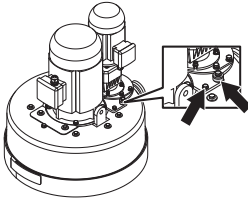


ΣΥΝΤΗΡΗΣΗ

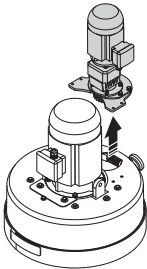
- Τραβήξτε προς τα έξω τον πείρο.



- Συγκρατήστε το σασί και αφαιρέστε τον πείρο συναρμολόγησης.
- Αφαιρέστε τις βίδες.

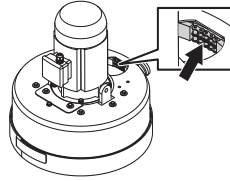


- Αφαιρέστε προς τα πάνω τη μονάδα μοτέρ/ συστήματος οδοντωτών τροχών.



- πιεωρήστε για συσσώρευση σκόνης Αν το πλανητικό παρέμβυσμα λειτουργεί αποτελεσματικά, θα πρέπει να παρατερείται ελάχιστε ποσότητα σκόνης κάτω από το κάλυμμα της συσκευής. Αν υπάρχει συσσώρευση 5-6 χιλ. (1/4 της ίντσας), τότε είναι πολύ πιθανό ότι είναι καιρός να αφαιρεθεί το

κάλυμμα της συσκευής και να ελεγχθεί η κατάσταση του πλανητικού παρεμβύσματος.



- Αφαιρέστε τις βίδες.



ΣΗΜΕΙΩΣΗ! Προτού αφαιρέσετε το κάλυμμα της διάταξης τάχυσης του ιμάντα, βεβαιωθείτε ότι το κάλυμμα και η περιοχή γύρω από το κάλυμμα είναι τελείως καθαρή. Προσπαθήστε να μην αφήσετε να εισέλθουν ακαθαρσίες στο εσωτερικό της συσκευής.

- Ανασεκώστε το κάλυμμα της συσκευής, αποκαλύπτοντας το δακτύλιο της αλυσίδας και το πλανητικό παρέμβυσμα.
- Αν το πλανητικό παρέμβυσμα είναι φθαρμένο ή χρειάζεται αντικατάσταση, επικοινωνήστε με τον τοπικό διανομέα Δομικών Προϊόντων Husqvarna για νέο σετ αντικατάστασης του πλανητικού παρεμβύσματος.

Σέρβις



ΠΡΟΣΟΧΗ! Όλα τα είδη των επισκευών πρέπει να γίνονται αποκλειστικά από εξουσιοδοτημένους τεχνικούς. Αυτό πρέπει να γίνεται για να μην εκτεθούν οι χειριστές σε μεγάλους κινδύνους.

Σύστημα Κίνησης Κεφαλών Λειάνσης

Καθώς ο μεγάλος κινητήρας κινεί μέσω ενός εσωτερικού ιμάντα τους δίσκους λειάνσης, και εφόσον ο ιμάντας είναι σφραγισμένος μέσα στον κινητήρα, δεν απαιτείται κάποια συντήρηση αυτού του συστήματος κίνησης μέχρι τη μεγάλη προγραμματισμένη συντήρηση (αντικατάσταση ιμάντα και εδράνων). Αυτό συνήθως πραγματοποιείται έπειτα από 12-36 μήνες λειτουργίας.

Πρέπει να έχετε υπόψη ότι ορισμένες εφαρμογές είναι πιο απαιτητικές σε σχέση με άλλες. Αυτό το γεγονός επηρεάζει το χρόνο λειτουργίας πριν από το επόμενο εσωτερικό σέρβις. Μεταφέρετε τον εξοπλισμό σε ένα εξουσιοδοτημένο συνεργείο σέρβις.

ΣΥΝΤΗΡΗΣΗ

Σφάλματα και αντιμετώπιση προβλημάτων

Ο ακόλουθος πίνακας αναφέρει ορισμένα προβλήματα που μπορεί να παρουσιαστούν κατά τη χρήση των τριβείων PG και μια λίστα με πιθανές λύσεις.

Πρόβλημα	Πιθανή αιτία	Πιθανή λύση
είναι δύσκολο να κρατηθεί το τριβείο	Δεν υπάρχουν αρκετά διαμάντια κάτω από το μηχανήμα (στην περίπτωση λειάνσεως χονδρής κόλλας ή μαλακών δαπέδων, αν υπάρχουν πολύ λίγα διαμάντια κάτω από το μηχανήμα, θα αυξηθεί σημαντικά το φορτίο στο τριβείο και στο χειριστή). Συνήθως, σε αυτή την περίπτωση, υπάρχει και μεγάλη κατανάλωση ρεύματος στο μεγάλο κινητήρα.	Αυξήστε τον αριθμό των διαμαντιών κάτω από το μηχανήμα για να ελαττώσετε το φορτίο στο τριβείο και στο χειριστή.
	Ο μεγάλος κινητήρας δεν λειτουργεί (αυτό μπορεί να οφείλεται σε βλάβη του κινητήρα, ζεμία στην καλωδίωση προς τον κινητήρα ή βλάβη στο μεγάλο μηχανισμό μετάδοσης κίνησης μεταβλητής ταχύτητας, ή μετατροπέα συχνότητας).	λέγξτε αν είναι συνδεδεμένος ο μεγάλος κινητήρας. Βεβαιωθείτε ότι δεν υπάρχουν βλάβες στο μεγάλο μηχανισμό μετάδοσης κίνησης μεταβλητής ταχύτητας, ή μετατροπέα συχνότητας. Βεβαιωθείτε ότι λειτουργεί ο μεγάλος μηχανισμός μετάδοσης κίνησης μεταβλητής ταχύτητας. Βεβαιωθείτε ότι ο μεγάλος μεταβλητή ταχύτητα κίνησης ή ο μετατροπέας συχνότητας λειτουργεί κανονικά (αποσυνδέστε και τους δύο κινητήρες, ρυθμίστε τον θόνο στο ηλεκτρολόγιο σε Συχνότητα Ξόδου, θέστε το μηχανήμα στο RUN (κτέλεσε), δείτε αν οι αριθμοί στην οθόνη αλλάζουν από το μεδόν και αρχίζουν να μετρούν προς τα πάνω. Αν οι αριθμοί παραμείνουν μεδόν, ο μεγάλος μηχανισμός μετάδοσης κίνησης μεταβλητής ταχύτητας, ή μετατροπέας συχνότητας, δεν λαμβάνει την εντολή λειτουργίας από το διακόπτη του πίνακα ελέγχου. Το μηχανήμα χρειάζεται να ελεγχθεί από ηλεκτρολόγο ή από την εταιρεία Δομικά Προϊόντα Husqvarna.
	Ολισθαίνει ο ιμάντας μετάδοσης κίνησης.	Αφαιρέστε το κάλυμμα της διάταξης τάνυσης του ιμάντα που βρίσκεται στο κάτω μέρος του μηχανήματος και βεβαιωθείτε ότι δεν υπάρχει νερό ή σκόνες στο εσωτερικό του μηχανήματος που να προκαλεί την ολίσθηση του ιμάντα πάνω στις τροχαλίες μετάδοσης κίνησης.
	Ο ιμάντας μετάδοσης κίνησης έχει σπάσει (αυτό μπορείτε να το επιβεβαιώσετε αν στρέψετε μια από τις κεφαλές λειάνσεως με το χέρι. Αν περιστρέφονται οι κεφαλές λειάνσεως όλες μαζί, ο ιμάντας δεν έχει σπάσει. Αν περιστρέφεται μόνο μια κεφαλή λειάνσεως, ο ιμάντας έχει σπάσει.)	Αντικαταστήστε τον εσωτερικό ιμάντα μετάδοσης κίνησης.
	Το μηχανήμα δέχεται μόνο μονοφασικό ρεύμα, δεν θα υποστεί βλάβη, θα αντλήσει ρεύμα <1 amp και ο ανεμιστήρας θα περιστρέφεται αργά.	Ελέγξτε την τροφοδοσία εισόδου.
	Η εφαρμογή ή η χρήση του μηχανήματος απαιτούν υπερβολική παραγωγική ικανότητα	Σε ορισμένες εφαρμογές, ακόμα και όταν έχει επιλεγεί ο σωστός αριθμός και τύπος διαμαντιών, μπορεί να είναι ακόμα απαραίτητο να μειώσετε τις στροφές του κινητήρα και την ταχύτητα εμπροσθοπορείας του μηχανήματος στο δάπεδο.

ΣΥΝΤΗΡΗΣΗ

ΤΟ ΛΙΟΤΡΙΒΙΟ ΑΚΟΥΓΓΙΑΙ ΣΑΝ ΝΑ ΛΙΤΟΥΡΓΙ Μ ΥΠΒΟΛΙΚΣ ΣΤΡΟΦΣ	<p>Δεν έχει συνδεθεί ο μικρός πλανητικός κινητήρας.</p>	<p>Βεβαιωθείτε ότι έχει συνδεθεί ο μικρός πλανητικός κινητήρας.</p>
	<p>Το μικρό μοτέρ δεν λειτουργεί (αυτό μπορεί να οφείλεται σε βλάβη στο μοτέρ, στην καλωδίωση του μοτέρ, στο μικρό σύστημα μετάδοσης κίνησης μεταβλητής ταχύτητας ή στο μετατροπέα συχνότητας).</p>	<p>Λέγξτε αν είναι συνδεδεμένος ο μικρός κινητήρας. Βεβαιωθείτε ότι δεν υπάρχουν βλάβες στο μικρό μηχανισμό μετάδοσης κίνησης μεταβλητής ταχύτητας, ή μετατροπέα συχνότητας. Βεβαιωθείτε ότι λειτουργεί ο μικρός μηχανισμός μετάδοσης κίνησης μεταβλητής ταχύτητας, ή μετατροπέας συχνότητας. Βεβαιωθείτε ότι λειτουργεί σωστά ο μικρός μηχανισμός μετάδοσης κίνησης μεταβλητής ταχύτητας, ή μετατροπέας συχνότητας (αποσυνδέστε και τους δυο κινητήρες, ρυθμίστε τον ένδειξε του ηλεκτρολογίου σε συχνότητα εξόδου, ρυθμίστε το μέχναμα στον κατάσταση RUN, δείτε αν αλλάζουν οι αριθμοί στον οθόνη από μεδέν και αν αρχίζουν να ανεβαίνουν. Αν οι αριθμοί παραμένουν στο μεδέν, ε μεγάλη μεταβλητή ταχύτητα κίνησης ή ο μετατροπέας συχνότητας δεν λαμβάνει τον εντολή εκτέλεσης από το διακόπτη στον πίνακα ελέγχου. Το μέχναμα πρέπει να ελεγχθεί από ηλεκτρολόγο ή από τον Husqvarna Construction Products.</p>
	<p>Το μεγάλο μοτέρ δεν λειτουργεί. Αυτό μπορεί να οφείλεται σε βλάβη στο μοτέρ, στην καλωδίωση του μοτέρ ή στο μεγάλο σύστημα μετάδοσης κίνησης μεταβλητής ταχύτητας.</p>	<p>Ελέγξτε ότι δεν υπάρχουν βλάβες τόσο στο μικρό όσο και στο μεγάλο σύστημα μετάδοσης κίνησης μεταβλητής ταχύτητας. Εκτελέστε επαναφορά, εάν είναι απαραίτητο, από το ταμπλό ελέγχου στη χειρολαβή.</p>
ΤΟ ΤΒΕΟ ΑΦΗΝΕ ΕΝΑ ΑΚΑΝΟΝΣΤΟ ΜΟΤΒΟ ΧΑΑΞΗΣ	<p>Τα διαμάντια μπορεί να μην είναι σωστά τοποθετημένα ή στις κεφαλές λείανσης μπορεί να υπάρχουν διαμάντια διαφορετικού ύψους. Τα αδαμαντοφόρα εργαλεία μπορεί να αναμείχθηκαν.</p>	<p>Ελέγξτε ότι όλα τα διαμάντια είναι σωστά τοποθετημένα και έχουν το ίδιο ύψος. Ελέγξτε ότι όλα τα στοιχεία έχει το ίδιο μέγεθος κόκκων και το ίδιο συνδυαστικό υλικό. Στην περίπτωση ανομοιόμορφων στοιχείων διαμαντιών τοποθετήστε τα σε ίσες αποστάσεις, περάστε το μηχανήμα από μια τραχιά επιφάνεια μέχρι όλα τα στοιχεία να αποκτήσουν το ίδιο ύψος.</p>
	<p>Τα ασφαλιστικά εξαρτήματα κεφαλής μπορεί να έχουν χαλαρώσει ή να μην υπάρχουν.</p>	<p>Ελέγξτε ότι όλα τα ασφαλιστικά εξαρτήματα κεφαλής είναι στη θέση τους και είναι καλά σφιγμένα.</p>
	<p>Τα εργαλεία ρητίνης μπορεί να αναμείχθηκαν ή να συνέλεξαν ρύπους.</p>	<p>Βεβαιωθείτε ότι όλες οι ρητίνες έχουν το ίδιο μέγεθος κόκκων, το ίδιο συνδυαστικό υλικό και δεν φέρουν ρύπους. Για να καθαρίσετε ρητίνες, λειτουργήστε τα εργαλεία για λίγο σε μια ελαφρώς τραχιά επιφάνεια.</p>
	<p>Οι κεφαλές λείανσης μπορεί να έχουν φθαρεί ή καταστραφεί.</p>	<p>Ελέγξτε για σπασμένα εξαρτήματα στις κεφαλές λείανσης ή για υπερβολική κίνηση.</p>
Το τριβείο αναπεδά	<p>Μπορεί να έχουν φθαρεί ή να έχουν πάθει ζημία οι κεφαλές λείανσης.</p>	<p>Λέγξτε τις κεφαλές λείανσης για τυχόν σπασμένα μέρη ή υπερβολική κίνηση.</p>
	<p>νδεχομένως να μην έχουν τοποθετηθεί σωστά τα διαμάντια ή μπορεί να υπάρχουν διαμάντια διαφορετικού ύψους στις κεφαλές λείανσης.</p>	<p>Βεβαιωθείτε ότι όλα τα διαμάντια έχουν τοποθετηθεί σωστά και ότι έχουν το ίδιο ύψος.</p>
	<p>Οι μηχανισμοί ασφάλισης των κεφαλών μπορεί να έχουν χαλαρώσει ή να μην υπάρχουν.</p>	<p>Βεβαιωθείτε ότι όλοι οι μηχανισμοί ασφάλισης των κεφαλών είναι σε θέση τους και καλά σφιγμένοι.</p>
	<p>Το μικρό μοτέρ δεν λειτουργεί (αυτό μπορεί να οφείλεται σε βλάβη στο μοτέρ, στην καλωδίωση του μοτέρ ή στο μικρό σύστημα μετάδοσης κίνησης μεταβλητής ταχύτητας)</p>	<p>Ελέγξτε ότι το μικρό σύστημα μετάδοσης κίνησης μεταβλητής ταχύτητας είναι ενεργοποιημένο. Ελέγξτε ότι δεν υπάρχουν βλάβες στο μικρό σύστημα μετάδοσης κίνησης μεταβλητής ταχύτητας. Εκτελέστε επαναφορά, εάν είναι απαραίτητο, από το ταμπλό ελέγχου κοντά στις χειρολαβές. Ελέγξτε ότι το μικρό σύστημα μετάδοσης κίνησης μεταβλητής ταχύτητας λειτουργεί σωστά (αποσυνδέστε και τα δύο μοτέρ, ορίστε την οθόνη του ηλεκτρολογίου στη συχνότητα εξόδου, γυρίστε το διακόπτη στη θέση RUN, δείτε αν οι αριθμοί στην οθόνη αλλάζουν από μηδενικοί και ξεκινήστε τη μέτρηση. Εάν οι αριθμοί παραμένουν μηδενικοί, το μικρό σύστημα μετάδοσης κίνησης μεταβλητής ταχύτητας δεν λαμβάνει εντολή από το διακόπτη του ταμπλό ελέγχου.) Το μηχανήμα πρέπει να ελεγχθεί από έναν ηλεκτρολόγο ή από έναν αντιπρόσωπο σέρβις της Husqvarna.</p>

ΣΥΝΤΗΡΗΣΗ

Πίνακας ανίχνευσης βλαβών

Πρόβλημα/Κωδικός σφάλματος	Πιθανή αιτία	Πιθανή λύση
Το μηχάνημα δεν ενεργοποιείται	Το καλώδιο τροφοδοσίας εισόδου δεν είναι υπό τάση	Ελέγξτε ότι η τροφοδοσία εισόδου είναι ενεργοποιημένη
	Το κουμπί διακοπής έκτακτης ανάγκης STOP είναι ενεργοποιημένο	Στρέψτε το κουμπί διακοπής έκτακτης ανάγκης για απελευθέρωση
	Ο ασφαλειοδιακόπτης ασφαλείας είναι ανοικτός στο κιβώτιο ηλεκτρικών συστημάτων	Κλείστε τον ασφαλειοδιακόπτη για να ολοκληρωθεί το κύκλωμα
Η οθόνη ενδείξεων (V1.1) εξακολουθεί να εμφανίζει την τιμή 0,00 Hz στα συστήματα μετάδοσης κίνησης μεταβλητής ταχύτητας όταν γυρίζω το διακόπτη από τη θέση STOP στη θέση RUN	Υπάρχει πρόβλημα με τον επαφέα στο πίσω μέρος του κουμπιού POWER	Ελέγξτε ότι τα καλώδια είναι συνδεδεμένα και σταθερά στο πίσω μέρος του κουμπιού POWER, όπως φαίνεται στο διάγραμμα μοντέλου μηχανήματος. Ελέγξτε ότι ο επαφέας ενεργοποιείται όταν πατάτε το κουμπί POWER.
	Υπάρχει πρόβλημα με τη σύνδεση των καλωδίων στο διακόπτη STOP/RUN ή με τον επαφέα στο πίσω μέρος του διακόπτη STOP/RUN	Ελέγξτε ότι τα καλώδια του διακόπτη STOP/RUN μέσα στο ταμπλό ελέγχου είναι συνδεδεμένα και σταθερά, καθώς και ότι συνδέονται και αποσυνδέονται όταν ο διακόπτης περιστρέφεται.
Η οθόνη ενδείξεων (V1.1) εξακολουθεί να εμφανίζει την τιμή 0,00 Hz σε ένα μόνο από τα συστήματα μετάδοσης κίνησης μεταβλητής ταχύτητας όταν γυρίζω το διακόπτη του μηχανήματος από τη θέση STOP στη θέση RUN	Υπάρχει πρόβλημα με την ηλεκτρική σύνδεση από το διακόπτη STOP/RUN στο διακόπτη FWD/REV	Ελέγξτε ότι τα καλώδια σύνδεσης μεταξύ του διακόπτη STOP/RUN και του διακόπτη FWD/REV είναι συνδεδεμένα και σταθερά, όπως φαίνεται στο διάγραμμα μοντέλου μηχανήματος
	Υπάρχει πρόβλημα με τη σύνδεση καλωδίων από το διακόπτη FWD/REV στον αντιστροφέα συχνότητας ή με τον επαφέα στο πίσω μέρος του διακόπτη FWD/REV	Ελέγξτε ότι τα καλώδια σύνδεσης μεταξύ του διακόπτη FWD/REV και του αντιστροφέα συχνότητας είναι σωστά συνδεδεμένα και σταθερά, όπως φαίνεται στο διάγραμμα μοντέλου μηχανήματος. Ελέγξτε ότι ο επαφέας συνδέεται και αποσυνδέεται πλήρως όταν περιστρέφεται ο διακόπτης.
Η τιμή αναφοράς συχνότητας στην οθόνη ενδείξεων (V1.1.2) δεν θα φτάσει μέχρι τα 80 Hz στο μεγάλο σύστημα μετάδοσης κίνησης μεταβλητής ταχύτητας	Υπάρχει πρόβλημα με το ποτενσιόμετρο ταχύτητας κεφαλής στο ταμπλό ελέγχου κοντά στις χειρολαβές	Ελέγξτε τα καλώδια στο ποτενσιόμετρο, όπως φαίνεται στο διάγραμμα μοντέλου μηχανήματος. Αντικαταστήστε το ποτενσιόμετρο, εάν είναι απαραίτητο.
	Υπάρχει πρόβλημα με την καλωδίωση στο σύστημα μετάδοσης κίνησης μεταβλητής ταχύτητας	Ελέγξτε το καλώδιο του ταμπλό ελέγχου και το καλώδιο στους ακροδέκτες του συστήματος μετάδοσης κίνησης μεταβλητής ταχύτητας για βλάβες
	Υπάρχει πρόβλημα με τα δεδομένα και τον προγραμματισμό του συστήματος μετάδοσης κίνησης μεταβλητής ταχύτητας	Απαιτείται εκ νέου προγραμματισμός. Το μηχάνημα πρέπει να ελεγχθεί από έναν αντιπρόσωπο σέρβις της Husqvarna
Η τιμή αναφοράς συχνότητας στην οθόνη ενδείξεων (V1.1.2) δεν θα φτάσει μέχρι τα 120 Hz στο μικρό σύστημα μετάδοσης κίνησης μεταβλητής ταχύτητας	Υπάρχει πρόβλημα με το ποτενσιόμετρο ταχύτητας δίσκου στο ταμπλό ελέγχου κοντά στις χειρολαβές	Ελέγξτε τα καλώδια στο ποτενσιόμετρο, όπως φαίνεται στο διάγραμμα μοντέλου μηχανήματος. Αντικαταστήστε το ποτενσιόμετρο, εάν είναι απαραίτητο.
	Υπάρχει πρόβλημα με την καλωδίωση στο σύστημα μετάδοσης κίνησης μεταβλητής ταχύτητας	Ελέγξτε το καλώδιο του ταμπλό ελέγχου και το καλώδιο στους ακροδέκτες του συστήματος μετάδοσης κίνησης μεταβλητής ταχύτητας για βλάβες
	Υπάρχει πρόβλημα με τα δεδομένα και τον προγραμματισμό του συστήματος μετάδοσης κίνησης μεταβλητής ταχύτητας	Απαιτείται εκ νέου προγραμματισμός. Το μηχάνημα πρέπει να ελεγχθεί από έναν αντιπρόσωπο σέρβις της Husqvarna
Η τιμή αναφοράς συχνότητας στην οθόνη ενδείξεων (V1.1.2) δεν θα φτάσει μέχρι τα 100 Hz στο σύστημα μετάδοσης κίνησης μεταβλητής ταχύτητας	Υπάρχει πρόβλημα με το ποτενσιόμετρο ταχύτητας δίσκου στο ταμπλό ελέγχου κοντά στις χειρολαβές	Ελέγξτε τα καλώδια στο ποτενσιόμετρο, όπως φαίνεται στο διάγραμμα μοντέλου μηχανήματος. Αντικαταστήστε το ποτενσιόμετρο, εάν είναι απαραίτητο.
	Υπάρχει πρόβλημα με την καλωδίωση στο σύστημα μετάδοσης κίνησης μεταβλητής ταχύτητας	Ελέγξτε το καλώδιο του ταμπλό ελέγχου και το καλώδιο στους ακροδέκτες του συστήματος μετάδοσης κίνησης μεταβλητής ταχύτητας για βλάβες

ΣΥΝΤΗΡΗΣΗ

	Υπάρχει πρόβλημα με τα δεδομένα και τον προγραμματισμό του συστήματος μετάδοσης κίνησης μεταβλητής ταχύτητας	Απαιτείται εκ νέου προγραμματισμός. Το μηχάνημα πρέπει να ελεγχθεί από έναν αντιπρόσωπο σέρβις της Husqvarna
Η τάση σύνδεσης DC (οθόνη V1.18) είναι μικρότερη από 550 +/- 5V όταν το μηχάνημα βρίσκεται σε κατάσταση αναμονής	Κακή τροφοδοσία ρεύματος στο σύστημα μετάδοσης κίνησης μεταβλητής ταχύτητας	Ελέγξτε την τάση και τις φάσεις στο μηχάνημα λείανσης στο πρώτο σημείο ισχύος εξόδου στο τριβείο
Η τάση σύνδεσης DC (οθόνη V1.18) είναι μικρότερη από 500 +/- 5V όταν το μηχάνημα βρίσκεται σε λειτουργία	Κακή τροφοδοσία ρεύματος στο σύστημα μετάδοσης κίνησης μεταβλητής ταχύτητας	Ελέγξτε την τάση και τις φάσεις στο μηχάνημα λείανσης στο πρώτο σημείο ισχύος εξόδου στο τριβείο, περιλαμβάνοντας την καλωδίωση στον επαφέα και στην είσοδο συστήματος μετάδοσης κίνησης μεταβλητής ταχύτητας
Στο ταμπλό ελέγχου άναψε μια κόκκινη λυχνία κατά τη διάρκεια της λειτουργίας	Στην οθόνη ενδείξεων μέσα στο κιβώτιο ηλεκτρικών συστημάτων εμφανίζονται κωδικοί σφάλματος	Ελέγξτε τον κωδικό σφάλματος στην οθόνη ενδείξεων και ενεργήστε ανάλογα
Κωδικός F1.1 στην οθόνη ενδείξεων, Υπερένταση	Υπερβολικά έντονη λειτουργία μοτέρ με αποτέλεσμα την άντληση επιπλέον ρεύματος	Ελέγξτε ότι αντλείται ρεύμα όταν το μηχάνημα λειτουργεί. Μειώστε τη ρύθμιση ταχύτητας και την άντληση ρεύματος στα αποδεκτά όρια, όπως επισημαίνονται στο εγχειρίδιο διαγνωστικών ηλεκτρικής ενέργειας
	Βραχυκύκλωμα μεταξύ φάσεων στην πλευρά εξόδου των συστημάτων μετάδοσης κίνησης μεταβλητής ταχύτητας	Ελέγξτε την καλωδίωση στα βύσματα που είναι συνδεδεμένα με τα καλώδια μοτέρ ή μέσα στα κουτιά σύνδεσης στα μοτέρ
	Λείπει η φάση εισόδου L1 στον επαφέα	Ελέγξτε τα καλώδια εισόδου στα βύσματα ρεύματος και στον επαφέα
	Εσωτερικό σφάλμα μοτέρ (σπάνιο)	ητήστε να γίνει έλεγχος του μοτέρ. Αντικαταστήστε, αν χρειαστεί.
Σφάλμα F1.3 στην οθόνη ενδείξεων - Σφάλμα γείωσης	Βραχυκύκλωμα μεταξύ φάσεων στην πλευρά εξόδου των συστημάτων μετάδοσης κίνησης μεταβλητής ταχύτητας	Ελέγξτε την καλωδίωση στα βύσματα που είναι συνδεδεμένα με τα καλώδια μοτέρ και μέσα στα κουτιά ακροδεκτών στα μοτέρ για χαλαρά καλώδια γείωσης
	Σφάλμα μοτέρ (σπάνιο)	ητήστε να γίνει έλεγχος του μοτέρ. Αντικαταστήστε, αν χρειαστεί.
Σφάλμα F1.9 στην οθόνη ενδείξεων - Υπόταση	Ανεπαρκής παροχή τάσης στο μηχάνημα	Ελέγξτε την παροχή ρεύματος και διασφαλίστε τη σωστή τάση. Ελέγξτε την πηγή τροφοδοσίας στη σταθερή παροχή.
	Η παροχή ρεύματος στα συστήματα μετάδοσης κίνησης μεταβλητής ταχύτητας έχει απενεργοποιηθεί	Επανασυνδέστε την παροχή ρεύματος στο τριβείο. Ελέγξτε τη σύνδεση DC (οθόνη V.1.18) στην κατάσταση αναμονής (550 +/-5) και στην κατάσταση λειτουργίας (500+/-5)
Σφάλμα F1.11 στην οθόνη ενδείξεων - παρακολούθηση φάσης εξόδου	Βραχυκύκλωμα στην πλευρά εξόδου των συστημάτων μετάδοσης κίνησης μεταβλητής ταχύτητας. Δεν υπάρχει τροφοδοσία σε μία από τις φάσεις ρεύματος στο μοτέρ.	Ελέγξτε την καλωδίωση στα βύσματα που είναι συνδεδεμένα με τα καλώδια μοτέρ και μέσα στα κουτιά ακροδεκτών στα μοτέρ
Σφάλμα F1.14 στην οθόνη ενδείξεων - υπερθέρμανση μονάδας	Τα συστήματα μετάδοσης κίνησης μεταβλητής ταχύτητας έχουν υπερθερμανθεί λόγω υψηλής θερμοκρασίας λειτουργίας ή λόγω χαλασμένου αισθητήρα θερμοκρασίας	Ανοίξτε τη θύρα στο κιβώτιο ηλεκτρικών συστημάτων για να αυξήσετε τον εξαερισμό. Εάν είναι απαραίτητο, ζητήστε από έναν αντιπρόσωπο σέρβις της Husqvarna να ελέγξει τα συστήματα μετάδοσης κίνησης μεταβλητής ταχύτητας.

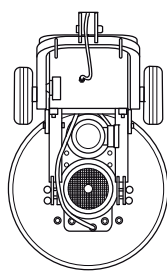
ΣΥΝΤΗΡΗΣΗ

<p>Σφάλμα F1.15 στην οθόνη ενδείξεων - παύση λειτουργίας μοτέρ</p>	<p>Έχει ενεργοποιηθεί η προστασία παύσης λειτουργίας μοτέρ. Υπερβολικά έντονη λειτουργία μοτέρ με αποτέλεσμα την άντληση επιπλέον ρεύματος</p>	<p>Ελέγξτε ότι αντλείται ρεύμα όταν το μηχάνημα λειτουργεί. Μειώστε τις ρυθμίσεις στροφών μοτέρ μέσω των ποτενσιόμετρων στο ταμπλό ελέγχου κοντά στις χειρολαβές και την άντληση ρεύματος στα αποδεκτά όρια λειτουργίας, σύμφωνα με τον πίνακα 'Συχνότητα εξόδου μενού παρακολούθησης'</p>
	<p>Μηχανική εμπλοκή μεταξύ των δίσκων λείανσης κάτω από την κεφαλή λείανσης</p>	<p>Γείρετε προς τα πίσω το μηχάνημα και επιθεωρήστε τους δίσκους λείανσης για ξένα αντικείμενα. Περιστρέψτε χειροκίνητα τους δίσκους λείανσης, για να διαπιστώσετε αν υπάρχει εμπλοκή. Βεβαιωθείτε ότι και οι τρεις δίσκοι λείανσης περιστρέφονται μαζί. Εάν ένας δίσκος λείανσης περιστρέφεται μεμονωμένα, τότε κάποιος χαλασμένος ιμάντας προκαλεί εσωτερική εμπλοκή. Επικοινωνήστε με τον αντιπρόσωπο σέρβις της Husqvarna.</p>
	<p>Μηχανική εμπλοκή στο πλανητικό σύστημα μετάδοσης κίνησης</p>	<p>Γείρετε το μηχάνημα προς τα πίσω και προσπαθήστε να περιστρέψετε χειροκίνητα την πλανητική κεφαλή, για να διαπιστώσετε αν υπάρχει εμπλοκή. Μπορεί να είναι λίγο δύσκολο, αλλά όχι αδύνατο. Αφαιρέστε το κάλυμμα και απομακρύνετε τυχόν υπολείμματα.</p>
<p>Σφάλμα F1.16 στην οθόνη ενδείξεων - υπερθέρμανση μοτέρ</p>	<p>Υπερβολικά έντονη λειτουργία μοτέρ με αποτέλεσμα την άντληση επιπλέον ρεύματος</p>	<p>Ελέγξτε ότι αντλείται ρεύμα όταν το μηχάνημα λειτουργεί. Μειώστε τις ρυθμίσεις στροφών μοτέρ μέσω των ποτενσιόμετρων στο ταμπλό ελέγχου κοντά στις χειρολαβές και την άντληση ρεύματος στα αποδεκτά όρια λειτουργίας, σύμφωνα με τον πίνακα 'Συχνότητα εξόδου μενού παρακολούθησης'</p>

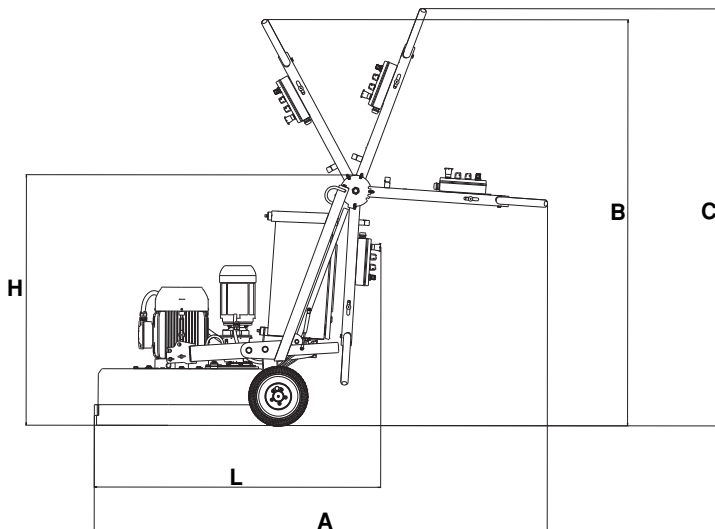
ΤΕΧΝΙΚΑ ΣΤΟΙΧΕΙΑ

Τεχνικά στοιχεία

	PG 680 EU/AU	PG 680 JP	PG 820 EU/AU	PG 820 JP
Ισχύς Κινητήρα, kW/hp	12,5/17	12,5/17	12,5/17	12,5/17
Ονομαστικό ρεύμα, A	27	43	27	43
Μέγιστε επιτρεπτή τάση, V	380-440	200-220	380-440	200-220
Φάσεις	Τριφασική	Τριφασική	Τριφασική	Τριφασική
Πλάτος λειάνσες, mm/ίντσες	680/27	680/27	820/32	820/32
Δίσκος λειάνσες, mm/ίντσες	3x230/3x9	3x230/3x9	3x270/3x10,5	3x270/3x10,5
Ολική πίεση λειάνσες, kg/lbs	269/590	269/590	290/640	290/640
Πίεση λειάνσες ανά δίσκο, kg/lbs	90/200	90/200	97/213	97/213
Ισχύς ανά δίσκο λειάνσες, kW/hp	4,15/5,7	4,15/5,7	4,15/5,7	4,15/5,7
Ταχύτητα δίσκου λειάνσες, rpm	300-1200	300-1200	250-1100	250-1100
Ταχύτητα πλανητικής κεφαλής, rpm	10-60	20-75	7,5-50	15-60
Φορά περιστροφής	Ανεξάρτητα κατεύθυνσε ελέγχου FWD/REV και στους δύο δίσκους λειοτριβεσε και στεν πλανητική κεφαλή.			
Βάρος, kg/lb	400/880	395/870	455/1000	455/1000
Μέγεθος, (ΜxΠxΥ), mm/ίντσες (Λαβή διπλωμένη προς τα κάτω)	1260x715x1260 / 50x28x50	1260x715x1260 / 50x28x50	1320x835x1260 / 52x33x50	1320x835x1260 / 52x33x50
Διαστάσεις, Μ x Π x Υ, mm/inch (λαβή σε έκταση)	2102, 1969, 2022 / 83, 77.5, 79.5	2102, 1969, 2022 / 83, 77.5, 79.5	2223, 1969, 2022 / 87.5, 77.5, 79.5	2223, 1969, 2022 / 87.5, 77.5, 79.5



W



ΤΕΧΝΙΚΑ ΣΤΟΙΧΕΙΑ

	PG 680	PG 820
Εκπομπές θορύβου (βλ.σεμ. 1)		
Μητρημένη ηχητική στάθμη ση Lw (dB(A))	101	101
Στάθμες θορύβου (βλ. σεμ. 2)		
Ισοδύναμη ηχητική πίεση στο αυτί του χηριστή, Lp (dB(A))	82	82
Στάθμες κραδασμών (βλ. σεμ. 3)		
Λαβή δεξιά, m/s ²	2,7	2,7
Λαβή αριστερά, m/s ²	4,8	4,8

Σεμ. 1: Οι ηκπομπές θορύβου στο περιβάλλον ηλέγχονται ως ηχητική ισχύς (LWA) σύμφωνα μη το πρότυπο EN 60335-1 και EN 60335-2-72.

Σεμ. 2: Ηπίτηδο θορύβου σύμφωνα μη το πρότυπο EN 60335-1 και EN 60335-2-72. Τα καταγεγραμμένα στοιχεία για την αντίστοιχη στάθμη πίεσης θορύβου για το μηχάνημα έχουν μία τυπική στατιστική διασπορά (τυπική απόκλιση) της τάξης του 1 dB (A).

Σεμείωση 3: Ηπίτηδο κραδασμών σύμφωνα μη το πρότυπο EN 60335-1 και EN 60335-2-72. Τα καταγεγραμμένα στοιχεία για την αντίστοιχη στάθμη κραδασμών έχουν μία τυπική στατιστική διασπορά (τυπική απόκλιση) της τάξης του 1 m/s².

ΕΚ–Βεβαίωση συμφωνίας

(Ισχύει μόνο στην Ευρώπη)

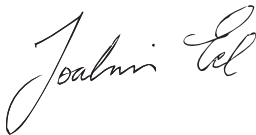
Η **Husqvarna AB**, SE-561 82 Huskvarna, Σουηδία, τηλ.: +46-36-146500, δηλώνει με αποκλειστική της ευθύνη ότι το τριβείο δαπέδων **Husqvarna PG 820, PG 680** με αριθμούς σειράς από το 2016 και εξής (το έτος αναγράφεται ρητά στην πινακίδα στοιχείων μηχανήματος, μαζί με τον αριθμό σειράς), πληροί τις απαιτήσεις της ΚΟΙΝΟΤΙΚΗΣ ΟΔΗΓΙΑΣ:

- μη ημερομηνία 17 Μαΐου 2006 "σχετικά μη τα μηχανήματα" **2006/42/EK**.
- της 26ης Φεβρουάριος 2014 "σχετικά με ηλεκτρομαγνητική συμβατότητα" **2014/30/EU**.
- με ημερομηνία 26 Φεβρουαρίου 2014 "σχετικά με ηλεκτρικό εξοπλισμό σχεδιασμένο για χρήση εντός συγκεκριμένων ορίων τάσης" **2014/35/EE**.
- της 8ης Ιουνίου 2011 "αναφορικά με τον περιορισμό συγκεκριμένων επικίνδυνων ουσιών" **2011/65/EE**.

Εφαρμόστηκαν τα εξής πρότυπα: EN 55014-1:2000+A2:2002, EN 55014-2:1997+A1:2001, EN 61000-3-2:2000+A2:2005, EN 61000-3-3:1995+A2:2005.

Το παρεχόμενο μηχάνημα συμμορφώνεται με το δείγμα που υποβλήθηκε σε εξέταση τύπου ΕΚ.

Γκέτεμποργκ, 26 Φεβρουάριος 2016



Joakim Ed

Γενικός διευθυντής Έρευνας και Ανάπτυξης

Construction Equipment Husqvarna AB

(Εξουσιοδοτημένος αντιπρόσωπος της Husqvarna AB και υπεύθυνος για την τεχνική τεκμηρίωση.)



www.husqvarnacp.com

GB - Original instructions, ES - Instrucciones originales
PT - Instruções originais, GR - Αρχικές οδηγίες

1157954-30



2016-02-24