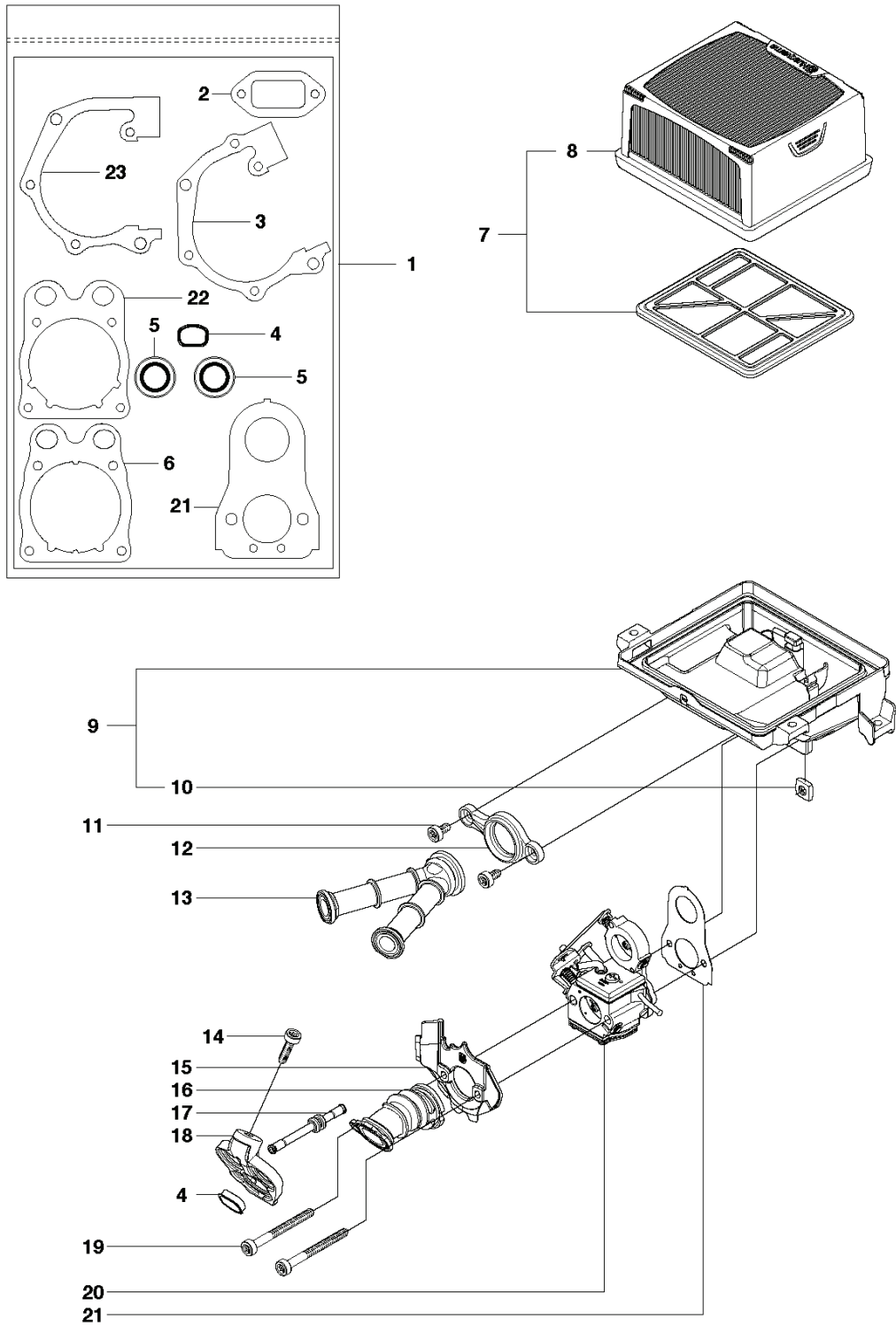


K760 II, 2013-02

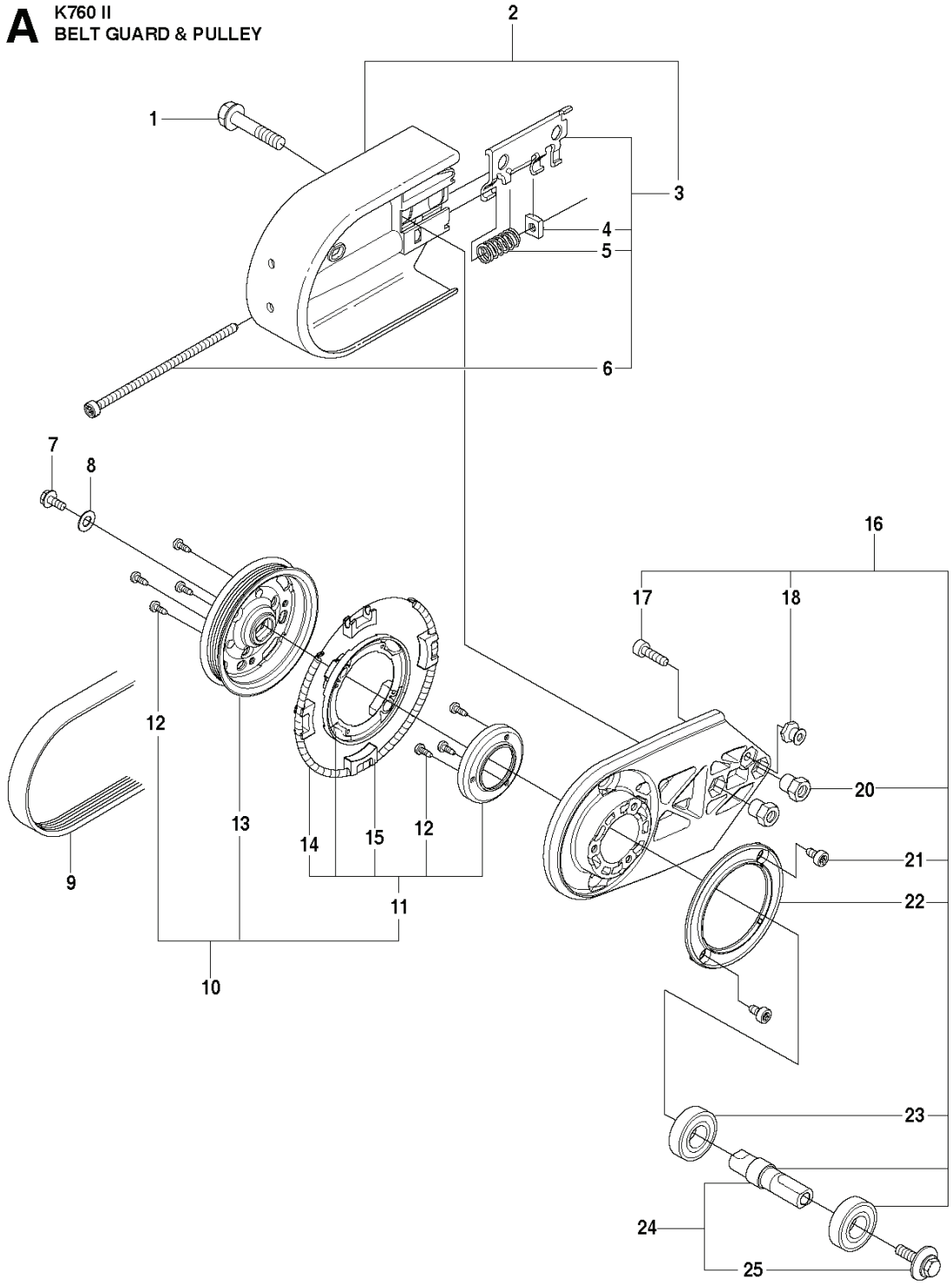
SPARE PARTS LIST

L K760 II
AIR FILTER



REF.	PART NO.	DESCRIPTION	REMARK	QTY.	KIT
1	581357402	GASKET KIT	incl. 2 - 6, 21 - 23	1	
2	588932501	GASKET		1	
3	506377003	GASKET		1	
4	544219302	INSERT		1	
5	503260204	SEALING RING	Blue	2	
6	581285301	GASKET		1	
7	574362302	AIR FILTER ASSY	Incl. 8	1	
8	525470602	AIR FILTER ASSY		1	
9	575354001	CARBURETTOR BRACKET	Incl. 10	1	
10	581774801	NUT		4	
11	503215310	SCREW ITXSCM		2	
12	506370601	FLANGE INLET PIPE		1	
13	525733201	INLET PIPE		1	
14	503215320	SCREW ITXSCM		1	
15	576890101	HEAT SHIELD		1	
16	525733101	INLET PIPE		1	
17	586227701	IMPULSE HOSE		1	
18	574231802	PLATE		1	1
19	503215356	SCREW ITXSCM		2	
20	578243401	CARBURETTOR	Zama C3-EL53	1	
21	506376804	GASKET		1	
22	506376701	GASKET		1	
23	506377002	GASKET		1	

A K760 II
BELT GUARD & PULLEY



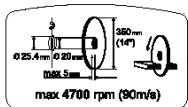
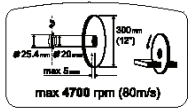
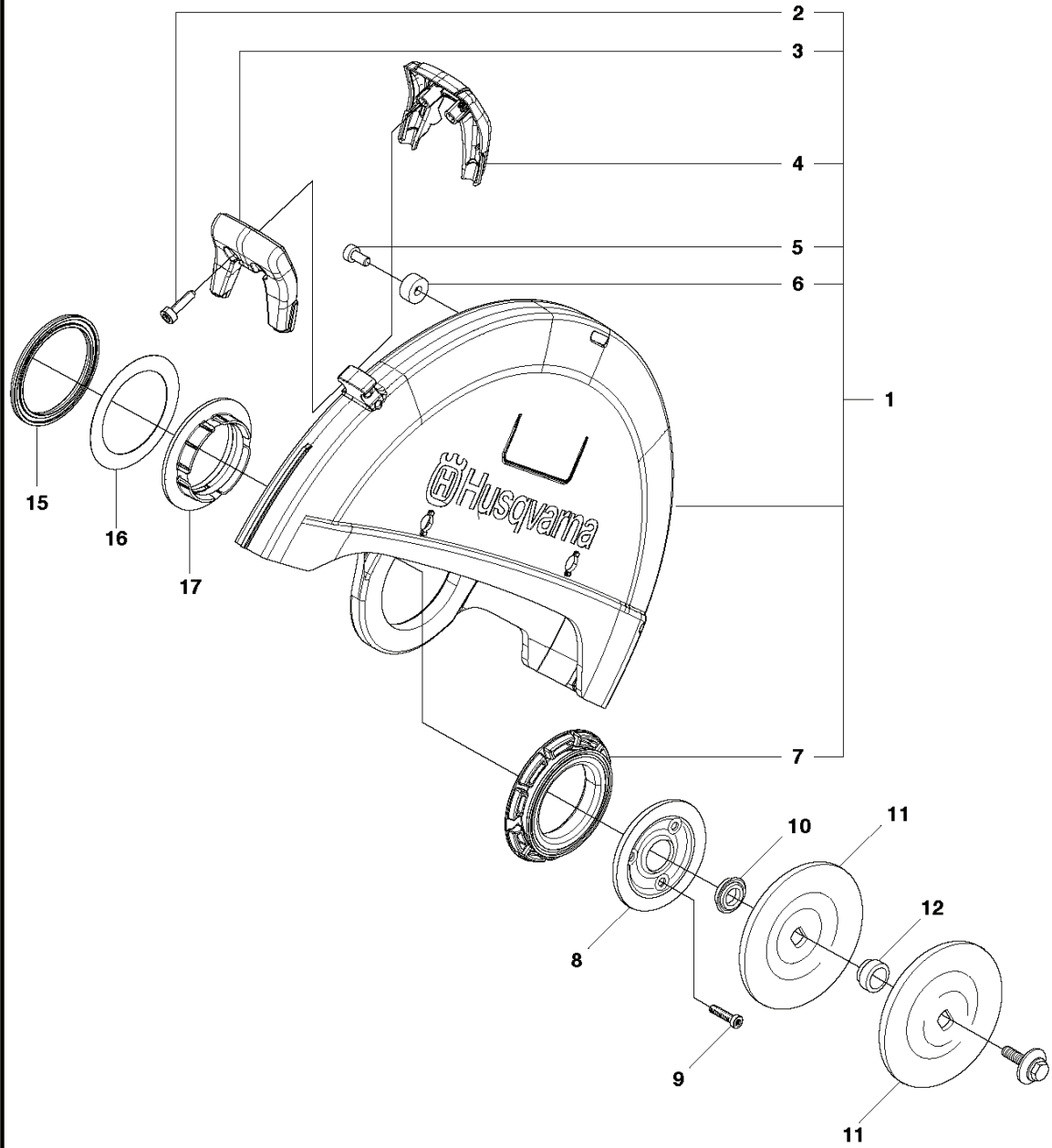
★Vベルトの張り直し
 Vベルトカバー、上の2個のナットを緩め、V
 ベルトカバー上の2つのVベルトのナットを
 締め直すと、Vベルトの張り直しができます。



26

REF.	PART NO.	DESCRIPTION	REMARK	QTY.	KIT
1	506284401	SCREW EHHFM		2	
2	506393602	BELT GUARD	Incl. 3	1	
3	506266604	BELT TENSIONER ASSY	Incl. 4 - 6	1	
4	506409301	NUT		1	
5	506266801	COMPRESSION SPRING		1	
6	503207205	SCREW CITXSCM		1	
7	503200045	SCREW EHHFM		1	
8	503230116	WASHER		1	
9	544908402	BELT		1	
10	588470403	PULLEY ASSY	Incl. 11 - 13	1	
11	505445405	CASSETTE	Incl. 12, 14 - 15	1	
12	503212810	SCREW CCRPANT		7	
13	590895801	PULLEY		1	
14	544441001	DRAW SPRING		1	
15	544440402	BRAKE SHOE		4	
16	581351709	BEARING HOUSING	M10, Incl. 17 - 19, 21 - 23	1	
16	581351710	BEARING HOUSING	M8, Incl. 17-19, 21-23. UK & JP only	1	
16	506394208	BEARING HOUSING	Rescue only	1	
17	505574116	SCREW ITXSCM		1	
18	506143201	NUT CAP		1	
20	584788101	NUT		2	
21	503215310	SCREW ITXSCM		2	
22	579733701	SEALING WASHER		1	
23	583953301	BALL BEARING		2	
24	506298365	SHAFT	M8, Incl. 25	1	
24	588992403	SHAFT	M10	1	
25	581855201	SCREW	M8	1	
25	590503801	SCREW	M10	1	
26	506309705	LABEL	Japan only	1	

B K760 II
BLADE GUARD ASSY

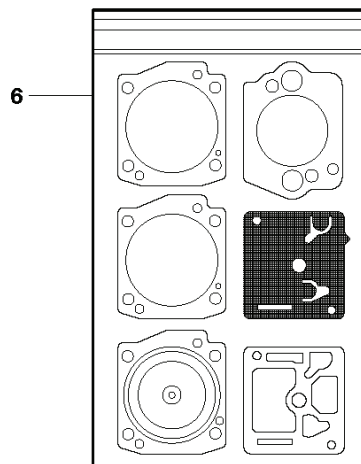
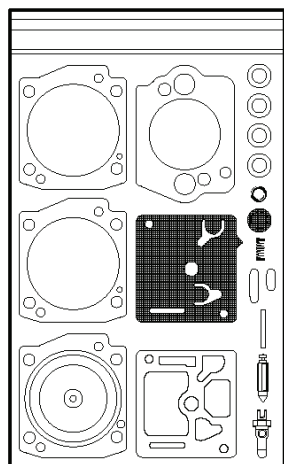
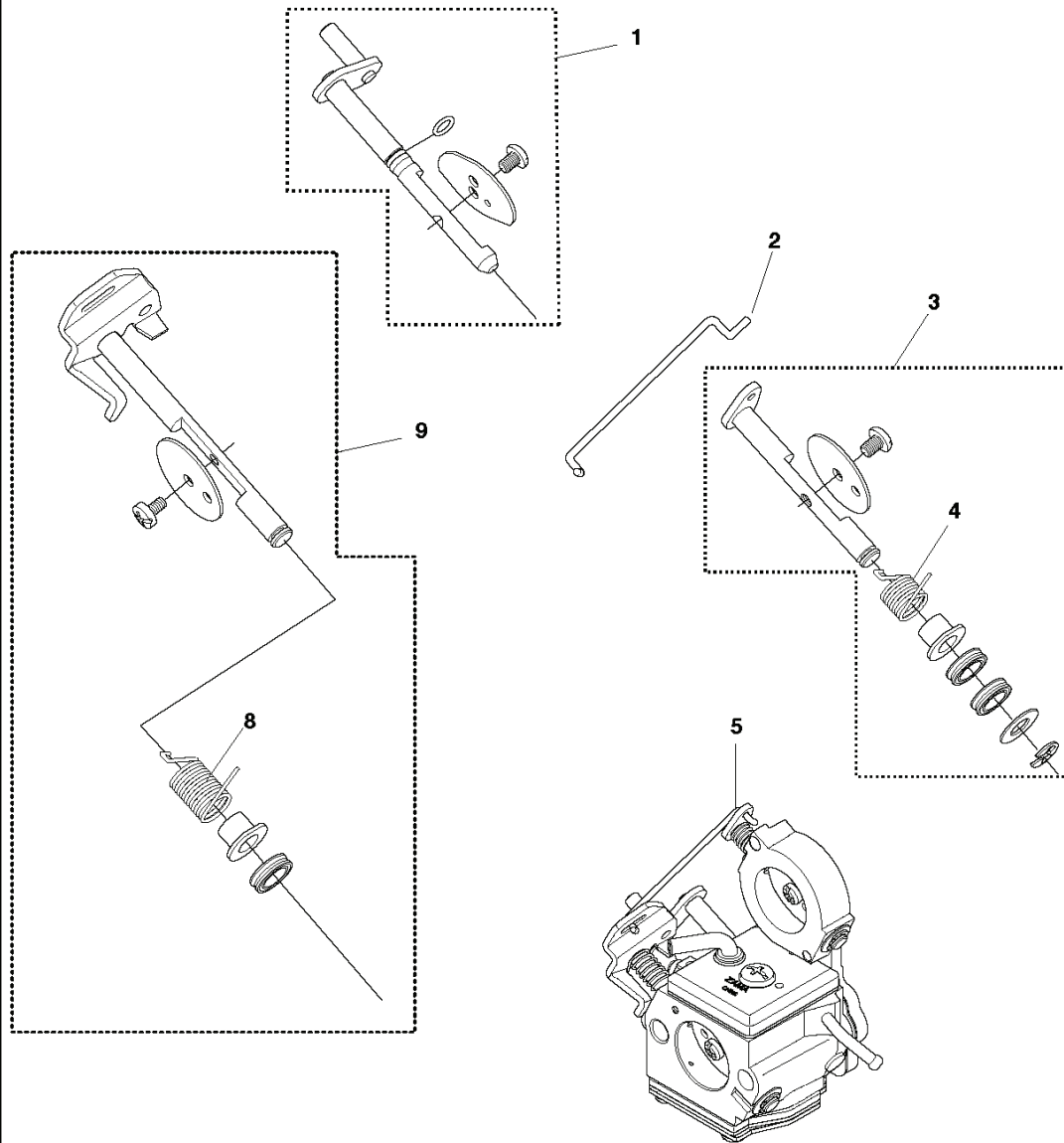


AVVERTENZE
• Leggere attentamente il manuale di istruzioni.
• Questo strumento è progettato per il taglio di tronchi.
• Non tentare mai di tagliare materiali non destinati a questo scopo.
• Non tentare mai di tagliare persone o animali.
• Non tentare mai di tagliare oggetti duri e fragorosi.
• Non tentare mai di tagliare materiali infiammabili.
• Non tentare mai di tagliare materiali riciclati.
• Non tentare mai di tagliare materiali di colore scuro.
• Non tentare mai di tagliare materiali di colore scuro.
• Non tentare mai di tagliare materiali di colore scuro.
• Non tentare mai di tagliare materiali di colore scuro.
• Non tentare mai di tagliare materiali di colore scuro.
• Non tentare mai di tagliare materiali di colore scuro.

Husqvarna

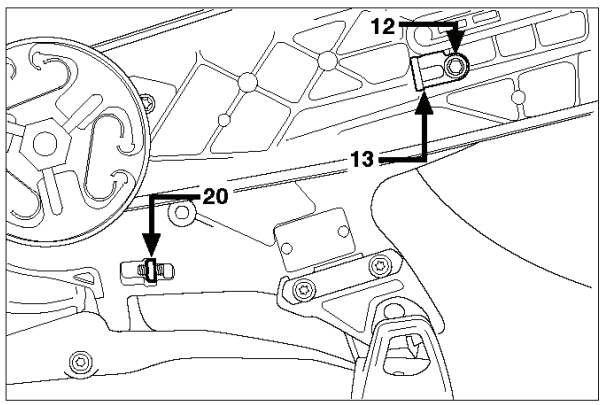
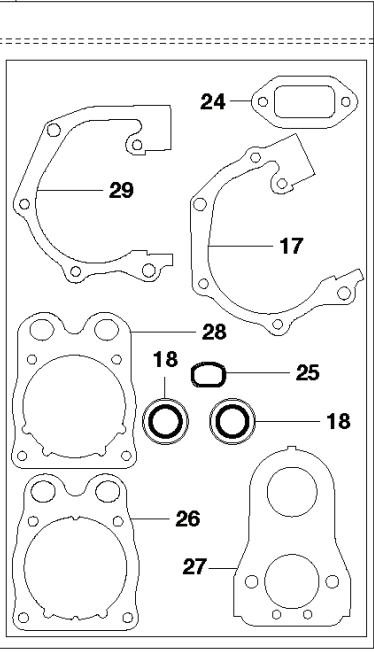
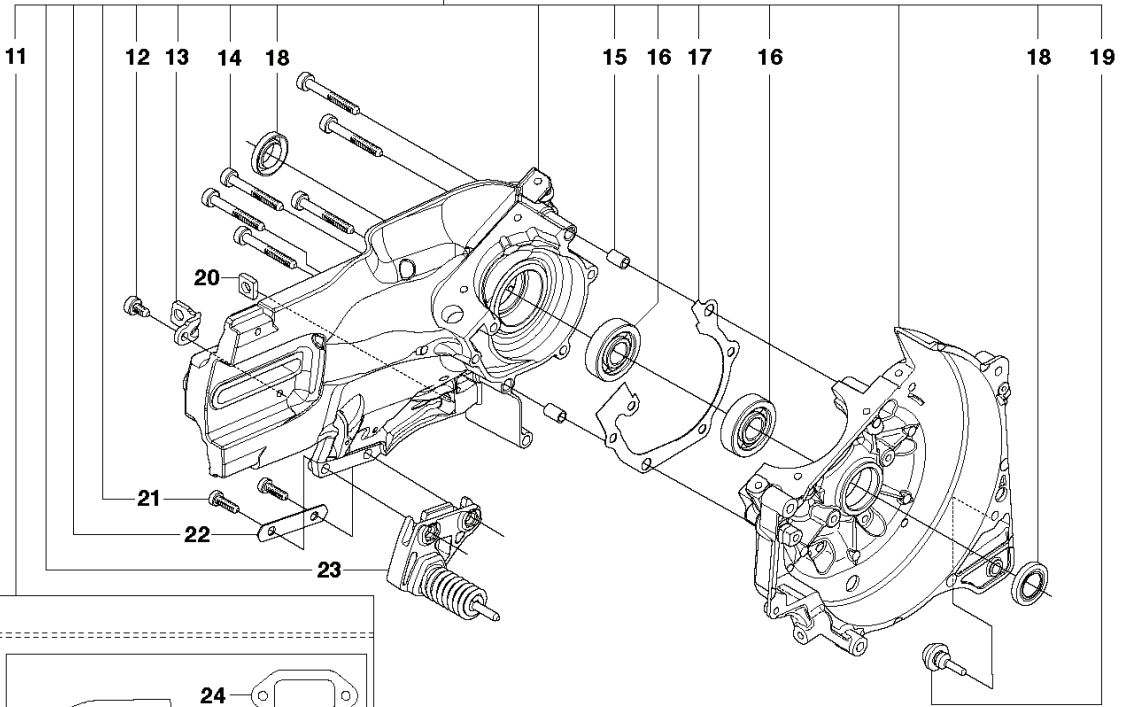
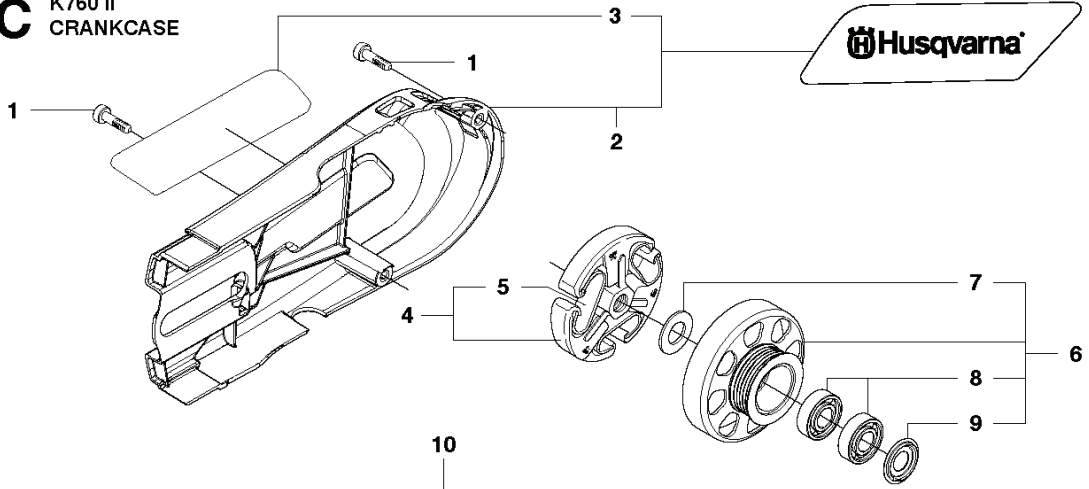
REF.	PART NO.	DESCRIPTION	REMARK	QTY.	KIT
1	581351903	WHEEL GUARD	"12", Incl. 2 - 7"	1	
1	581351902	WHEEL GUARD	"14", Incl. 2 - 7"	1	
2	504909414	SCREW ITXSCT		2	
3	578190901	HANDLE HALF		1	
4	578760901	HANDLE HALF		1	
5	504909410	SCREW ITXSCT		1	
6	581620301	STOP		1	
7	578191001	LINING		1	
8	506266501	FLANGE		1	
9	505574116	SCREW ITXSCM		3	
10	506324801	SUPPORT FLANGE		1	
11	583874402	FLANGE	M10, Diam 105 mm	2	
11	583874401	FLANGE	M8, UK only	2	
11	506070902	FLANGE WASHER	"Diam 119 mm, Japan 14" only"	2	
12	578398201	BUSHING	Diam 20 / 25,4 mm	1	
12	581605403	BUSHING	Diam 30,5 mm	1	
12	506379622	BUSHING	Diam 22,2 mm	1	
	506379620	KIT	Diam 20 mm	1	
13a	581117705	DECAL	"12""	1	
13b	581117706	DECAL	"14""	1	
14	584992601	DECAL	"Japan only 12""	1	
14	584992602	DECAL	"Japan only 14""	1	
15	579733201	RUBBER RING		1	
16	579733301	SHIM		1	
17	579733601	WEAR WASHER		1	

M K760 II
CARBURETTOR



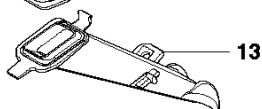
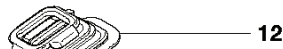
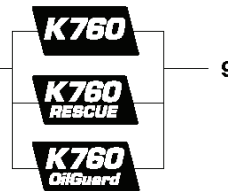
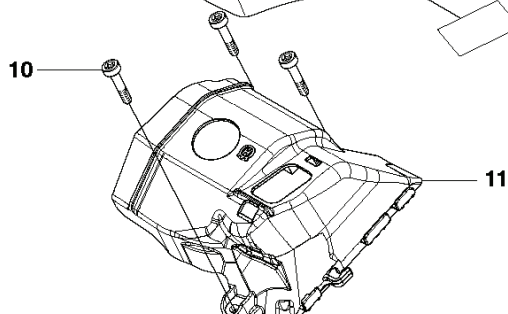
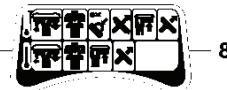
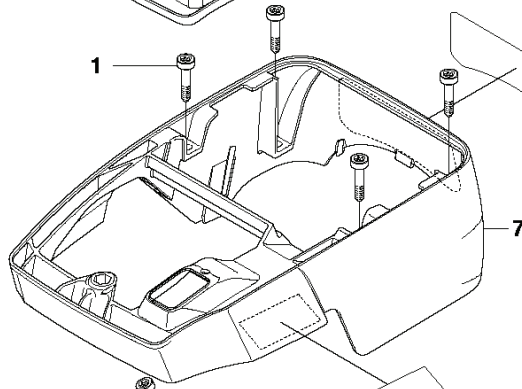
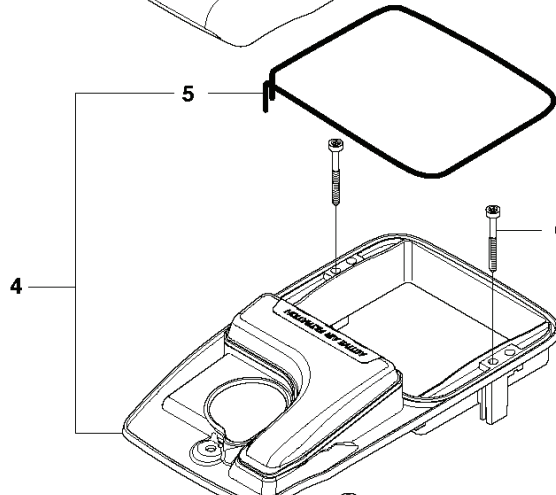
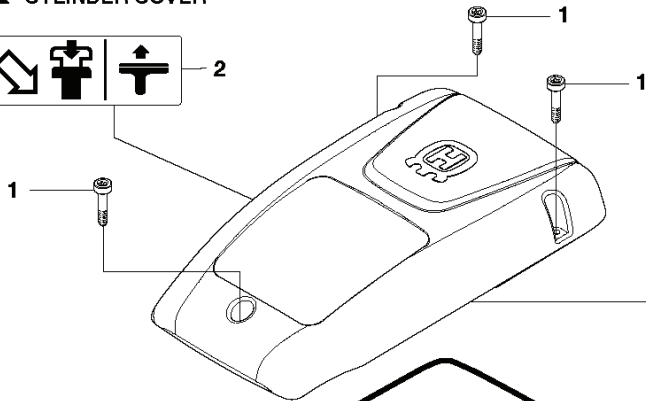
REF.	PART NO.	DESCRIPTION	REMARK	QTY.	KIT
1	593310001	CHOKE SHAFT		1	
2	506396501	ROD		1	
3	593332901	VALVE KIT		1	
4	506397501	SPRING		1	
5	578243401	CARBURETTOR	Zama C3-EL53	1	
6	506409902	GASKET KIT		1	
7	506410004	GASKET KIT		1	
8	544836501	SPRING		1	
9	593309901	THROTTLE SHAFT		1	

C K760 II
CRANKCASE



REF.	PART NO.	DESCRIPTION	REMARK	QTY.	KIT
1	501981020	SCREW ITXSCM		2	
2	581485901	BELT GUARD	Incl. 3	1	
3	575628501	DECAL		1	
4	503744406	CLUTCH ASSY	Incl. 5	1	
5	503744301	CLUTCH SPRING		3	
6	590805901	DRIVING PULLEY	Incl. 7 - 9	1	
7	503230070	WASHER		1	
8	525831801	BALL BEARING		2	
9	506316901	DUST COVER		1	
10	581721912	CRANKCASE ASSY	Incl. 11-19, 21-23	1	
11	581357402	GASKET KIT	Incl. 17, 18, 24-29	1	
12	501981001	SCREW ITXSCM		1	
13	544007801	BRACKET		1	
14	503215341	SCREW ITXSCM		6	
15	501270801	GUIDE BUSHING		2	
16	738220225	BALL BEARING		2	
17	506377003	GASKET	Six hole	1	
18	503260204	SEALING RING	Blue	2	
19	503846101	BUFFER		1	
20	503226504	SQUARE NUT		1	
21	503215316	SCREW ITXSCM		2	
22	522474801	PLATE		1	
23	522475701	SPRING RETAINER	12"	1	
23	522475702	SPRING RETAINER	14"	1	
24	588932501	GASKET		1	
25	544219302	INSERT		1	
26	581285301	GASKET		1	
27	506376804	GASKET		1	
28	506376701	GASKET		1	
29	506377002	GASKET	Five hole	1	

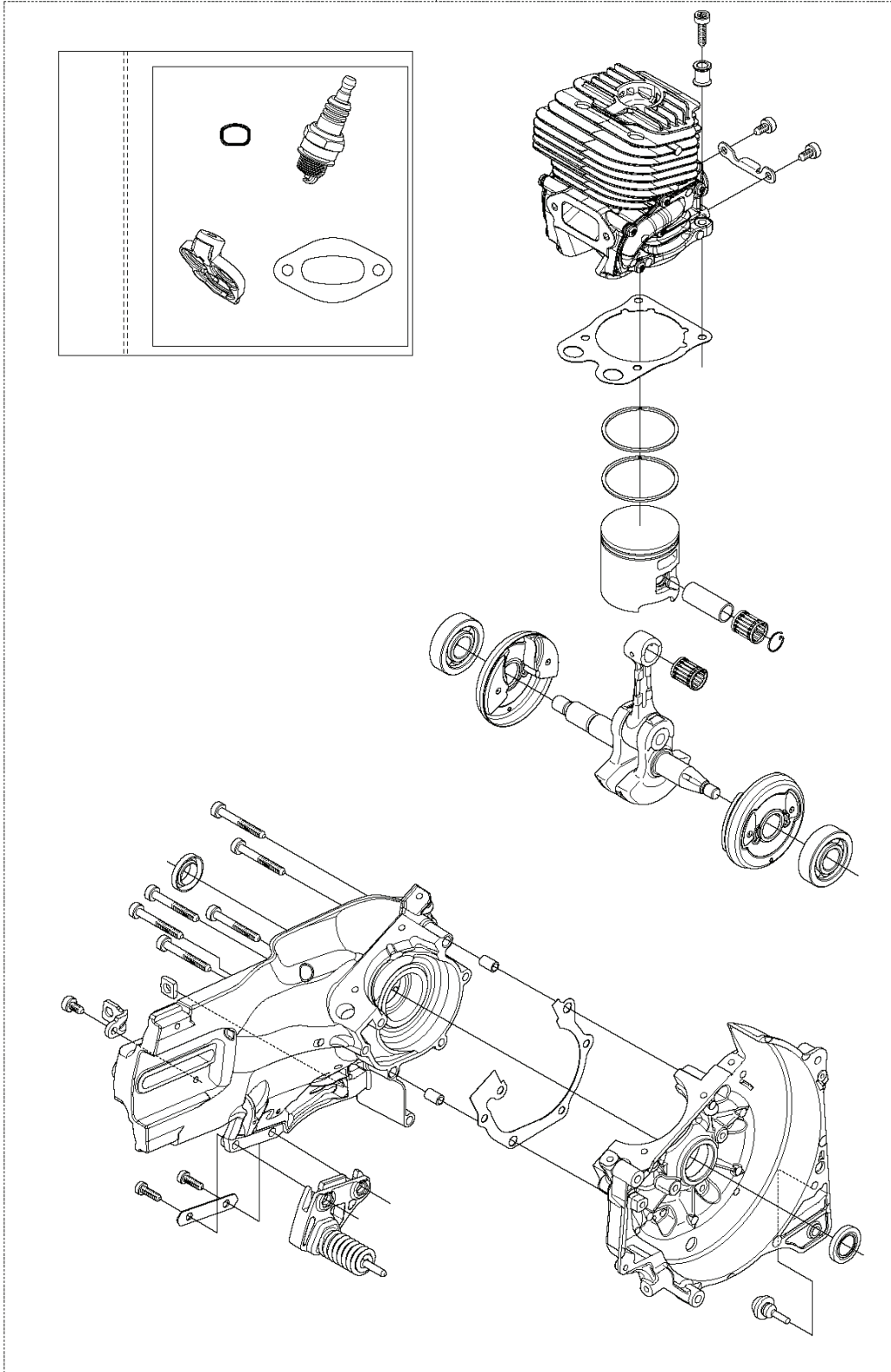
K K760 II
CYLINDER COVER



REF.	PART NO.	DESCRIPTION	REMARK	QTY.	KIT
1	503215321	SCREW ITXSCM		7	
2	525763502	DECAL		1	
3	583965208	FILTER COVER ASSY	incl. 14	1	
4	574362103	FILTER HOLDER ASSY	Incl. 5	1	
4	574362102	FILTER HOLDER ASSY	OIL GUARD	1	
5	575355001	SEALING STRIP		1	
6	503215349	SCREW ITXSCM		2	
7	506367003	CYLINDER COVER		1	
8	579240301	DECAL		1	
9	574231601	DECAL		1	
9	574231602	DECAL	Rescue	1	
9	574231603	DECAL	Oil Guard	1	
10	501981020	SCREW ITXSCM		3	
11	574459401	COVER		1	
12	587933002	BELLOWS		1	
13	525584301	AIR NOZZLE		1	
14	586379302	DECAL	Generic	1	
15	586379307	DECAL	Japan Only	1	

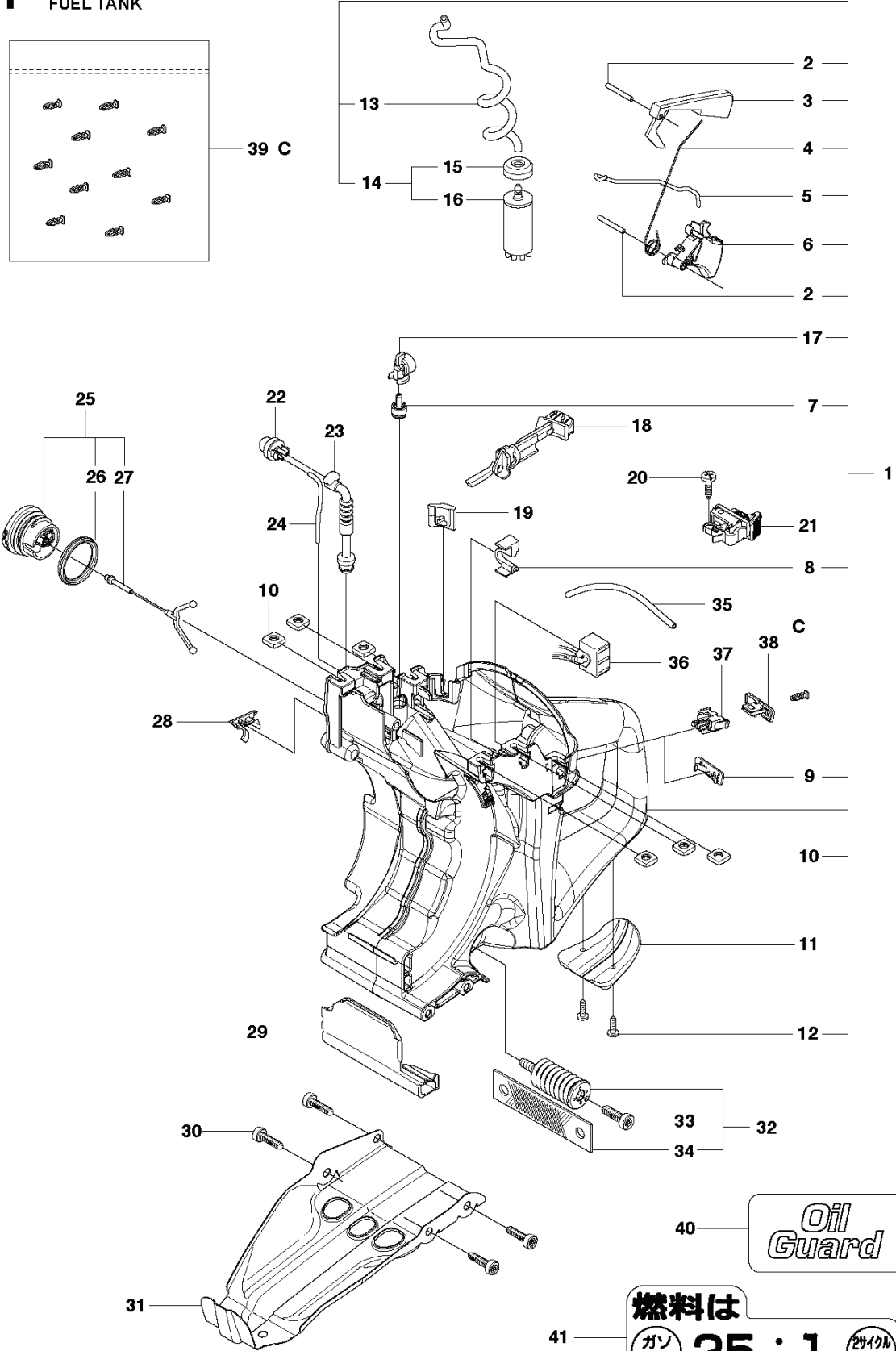
R K760 II
ENGINE KIT

1



REF.	PART NO.	DESCRIPTION	REMARK	QTY.	KIT
1	581721913	CRANKCASE ASSY		1	

F K760 II
FUEL TANK

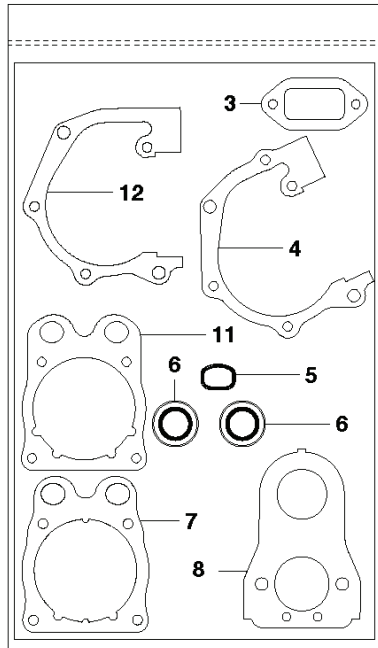


Oil Guard

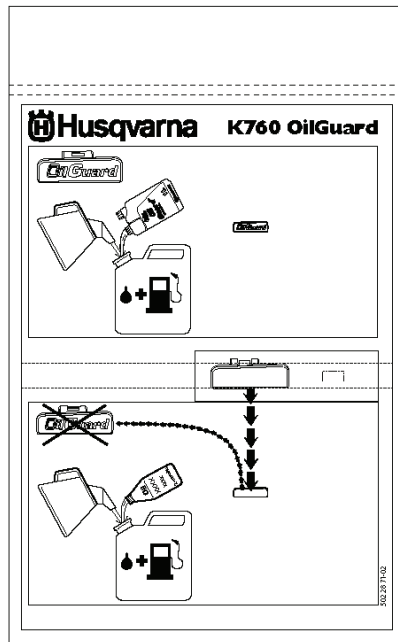
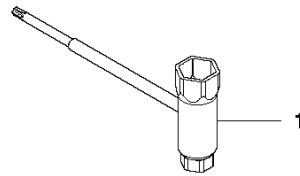
燃料は
ガソリン **25 : 1** 2サイクル専用オイル

REF.	PART NO.	DESCRIPTION	REMARK	QTY.	KIT
1	593281802	FUEL TANK ASSY	Incl. 2 - 14, 17	1	
2	720124020	PARALLEL PIN		2	
3	588086001	THROTTLE LOCKOUT		1	
3	588137701	THROTTLE LOCKOUT	For new tank	1	
4	595835701	SPRING		1	
5	579379201	THROTTLE ROD		1	
6	588086201	THROTTLE CONTROL		1	
7	537359501	TANK VENT ASSY		1	
8	544393201	HOSE CLIP		1	
9	501371301	LID		1	
10	503226504	SQUARE NUT		6	
11	506386702	GROUND SUPPORT	For old tank	1	
11	588198201	GROUND SUPPORT	For new tank	1	
12	503214516	SCREW CRCSFT		2	
13	581756203	FUEL HOSE		1	
13	581756202	FUEL HOSE	Oil Guard	1	
14	506264111	FUEL FILTER	Incl. 15 - 16	1	
15	506271101	HOSE CLAMP		1	
16	506264101	FUEL FILTER		1	
17	577313501	TANK VENT ASSY		1	
18	544229002	CHOKE CONTROL		1	
19	506378001	GROMMET		1	
20	503212810	SCREW CCRPANT		1	
21	506318604	STOP SWITCH		1	
22	540054901	PURGE	Purge	1	
23	505195201	FUEL HOSE	Purge	1	
24	537042414	FUEL HOSE	Purge	1	
25	522620001	TANK CAP ASSY	Incl. 26 - 27	1	
26	537215001	SEALING		1	
27	503578901	HOLDER		1	
28	506394602	HUB CAP		1	
29	506381501	HEAT SHIELD		1	
30	503215420	SCREW ITXSC T		4	
31	506371902	BASEPLATE		1	
32	537210307	ANTIVIBRATION ELEMENT	Incl. 33 - 34	1	
33	544061201	SCREW ITXSCM		1	
34	544238201	BAND		1	
35	581756117	FUEL HOSE	Oil Guard	1	
36	544384101	ELECTRONIC BOX	Oil Guard	1	
37	501018801	HOUSING	Oil Guard	1	
38	501019401	SWITCH	Oil Guard	1	
39	502233301	KIT	Oil Guard, Incl. 10 pins	1	
40	581095402	DECAL	Oil Guard	1	
41	506313001	LABEL	Japan only	1	

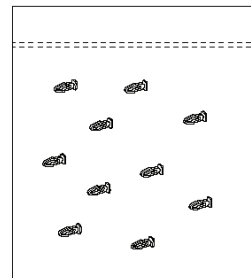
P K760 II
GASKET KIT



2

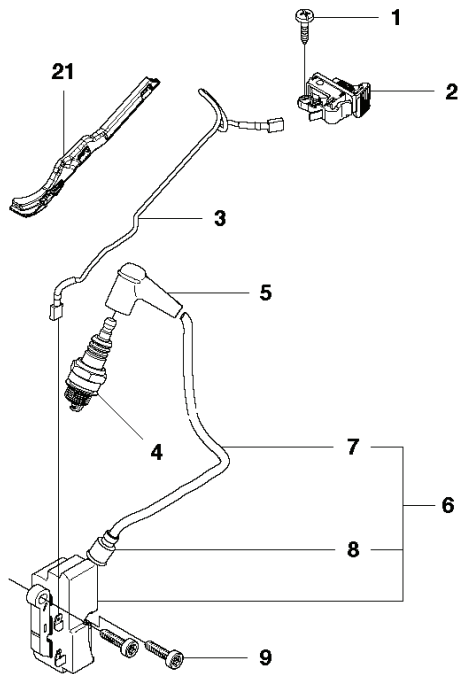
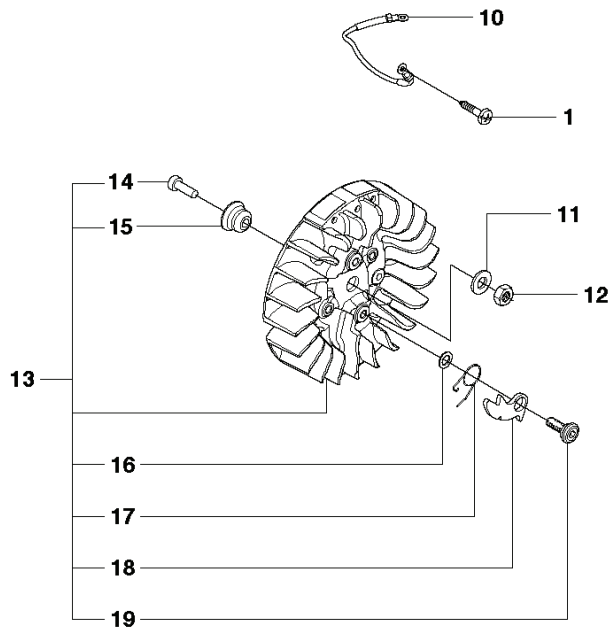
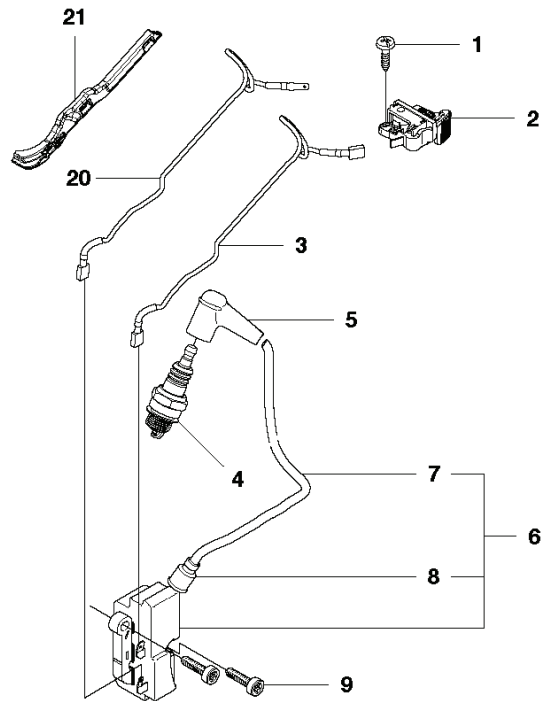


10



9

REF.	PART NO.	DESCRIPTION	REMARK	QTY.	KIT
1	506382601	TOOL		1	
2	581357402	GASKET KIT	Incl. 3-8, 11-12	1	
3	588932501	GASKET		1	
4	506377003	GASKET		1	
5	544219302	INSERT		1	
6	503260204	SEALING RING	Blue	2	
7	581285301	GASKET		1	
8	506376804	GASKET		1	
9	502233301	KIT	Incl. 10 Pins	1	
10	502287003	MANUAL		1	
11	506376701	GASKET		1	
12	506377002	GASKET		1	

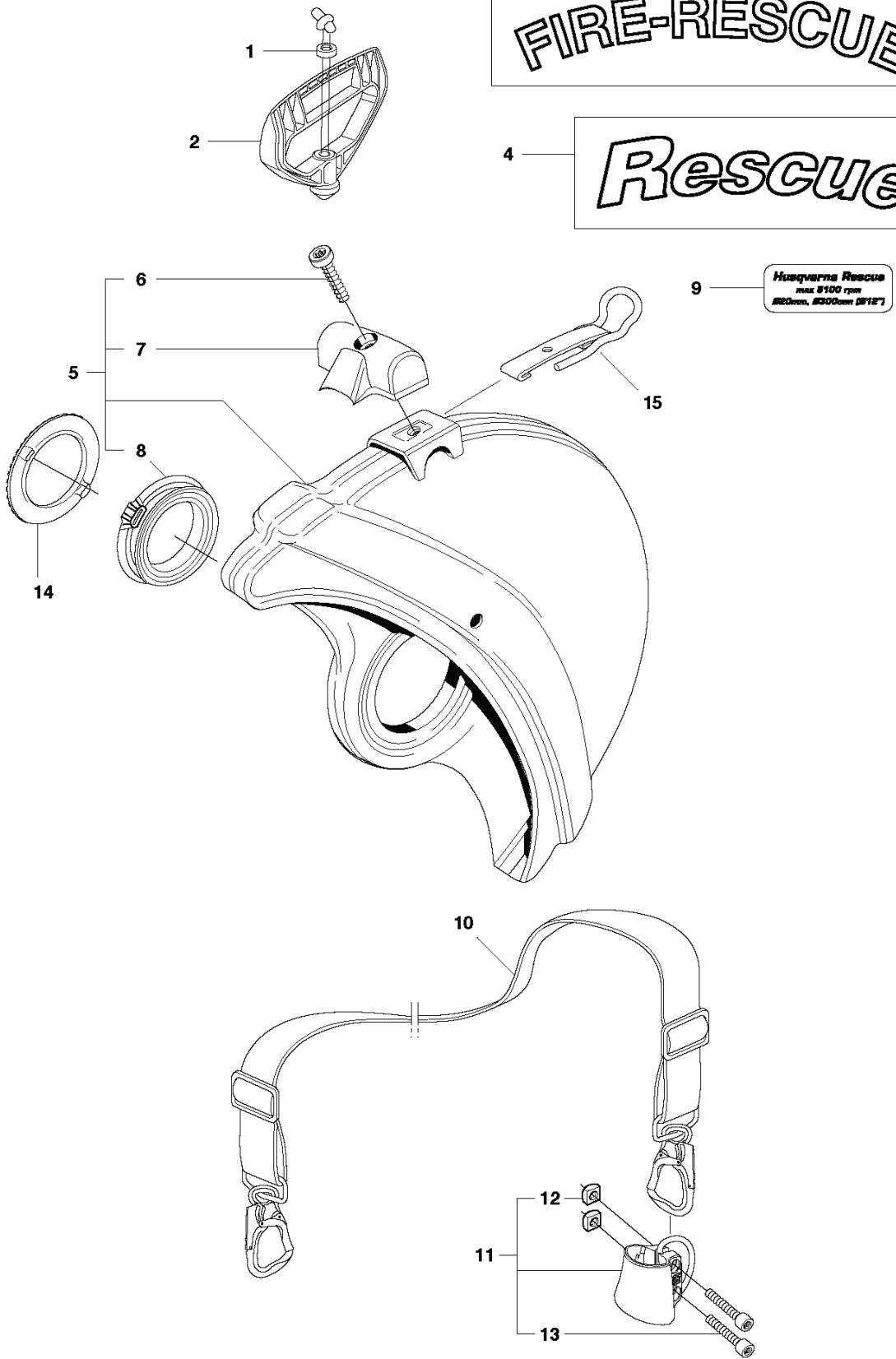
J**K760 II
IGNITION SYSTEM****K760 Oil Guard**

REF.	PART NO.	DESCRIPTION	REMARK	QTY.	KIT
1	503212810	SCREW CCRPANT		2	
2	506318602	STOP SWITCH		1	
3	586497201	CABLE	Oil Guard	1	
4	503235111	SPARK PLUG	RCJ 6 Y	1	
5	590504501	SPARK PLUG CAP		1	
6	580380505	IGNITION MODULE	Incl. 7 - 8	1	
7	506387834	IGNITION CABLE		1	
8	505277516	CABLE SLEEVE		1	
9	503215320	SCREW ITXSCM		2	
10	506378501	CABLE		1	
11	503230101	WASHER		1	
12	503221011	HEXAGON NUT		1	
13	587702102	FLYWHEEL ASSY	Incl. 14 - 19	1	
14	725532956	SCREW IHSCM		1	
15	574250901	WEIGHT		1	
16	503230042	WASHER		2	
17	501634801	SPRING		2	
18	501673203	PAWL		2	
19	506006901	SCREW		2	
20	544384901	CABLE	Oil Guard	1	
21	577242801	CABLE HOLDER		1	

Q K760 II
RESCUE

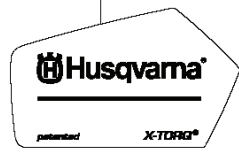
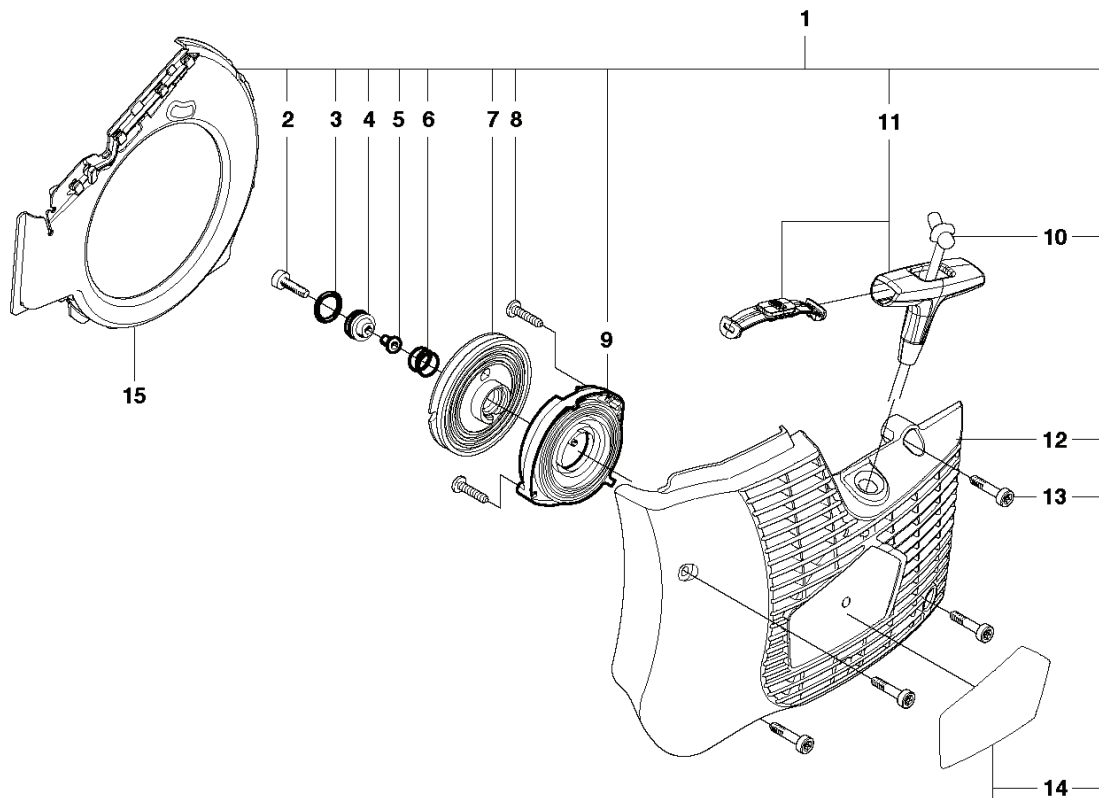
3 K12 FD
FIRE-RESCUE

4 Rescue



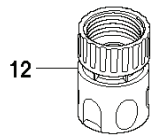
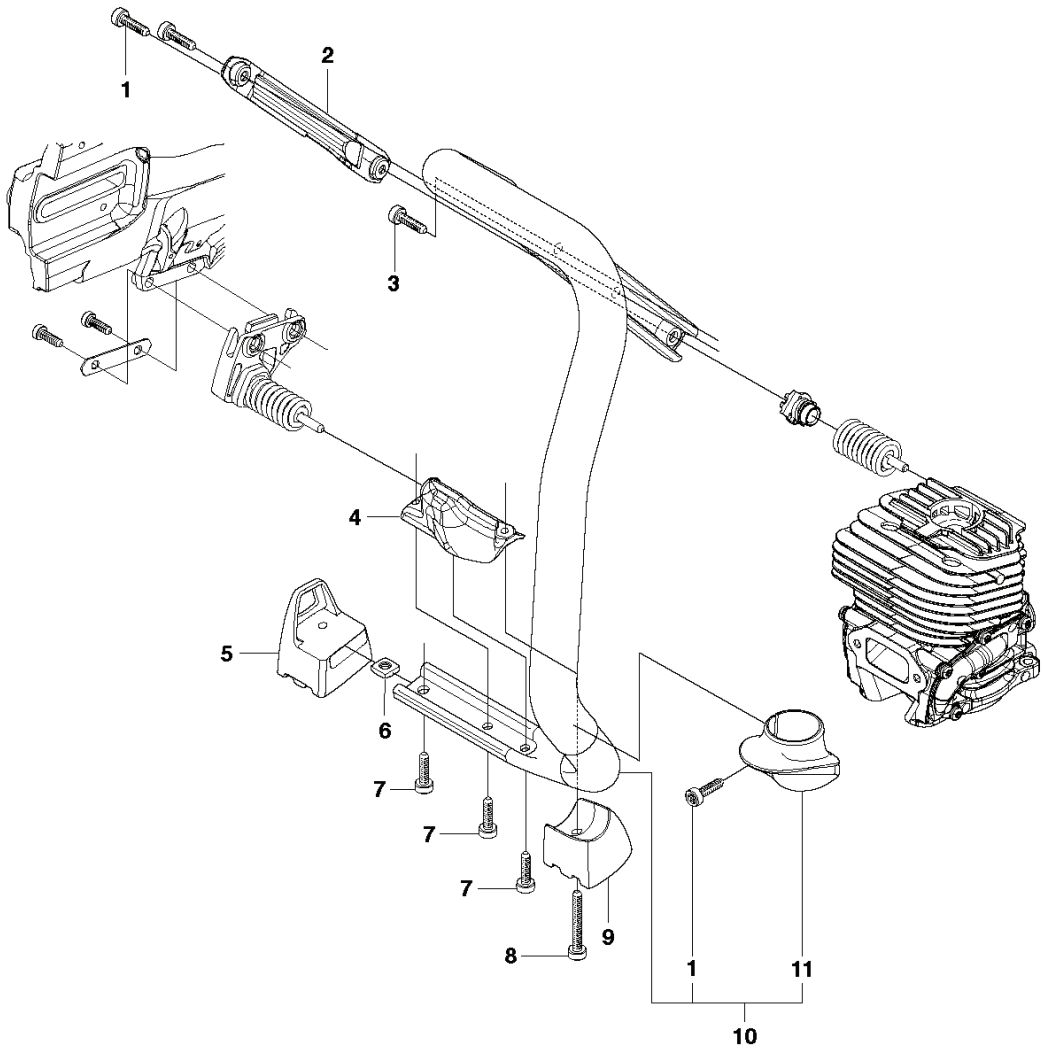
REF.	PART NO.	DESCRIPTION	REMARK	QTY.	KIT
1	503142902	WASHER		1	
2	506297502	STARTER HANDLE		1	
3	506322002	LABEL		1	
4	506302302	LABEL		1	
5	506340501	BLADE GUARD	"Rescue 12", Incl. 6 - 8"	1	
6	503215325	SCREW ITXSCM		1	
7	506344602	HANDLE		1	
8	506266302	LINING		1	
9	544890602	LABEL		1	
10	586456001	SHOULDER STRAP		1	
11	588731401	BRACKET	Incl. 12, 13	1	
12	503226504	SQUARE NUT		2	
13	503215312	SCREW ITXSCM		2	
14	506266401	SCREEN		1	
15	588033401	BRACKET		1	

H K760 II
STARTER

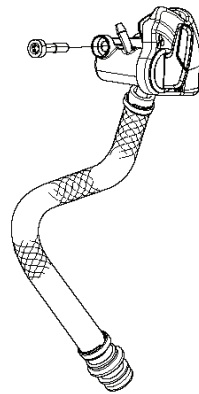


REF.	PART NO.	DESCRIPTION	REMARK	QTY.	KIT
1	584886805	STARTER ASSY	Incl. 2 - 14	1	
2	510269222	SCREW ITXSCT		1	
3	740431300	O-RING		1	
4	510000801	SEALING		1	
5	506263101	SPACING SLEEVE		1	
6	506253001	COMPRESSION SPRING		1	
7	506258103	STARTER PULLEY		1	
8	503212810	SCREW CCRPANT		2	
9	596293101	RECOIL SPRING		1	
10	506335615	CORD		1	
10	506335650	STARTER ROPE	50 m	1	
11	584257902	STARTER HANDLE ASSY		1	
12	525446001	STARTER COVER		1	
13	501981020	SCREW ITXSCT		4	
14	525571101	DECAL		1	
15	501859401	COOLING AIR CONDUCTOR		1	

G K760 II
GROUND SUPPORT

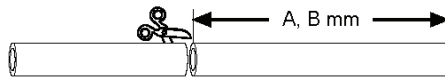


13

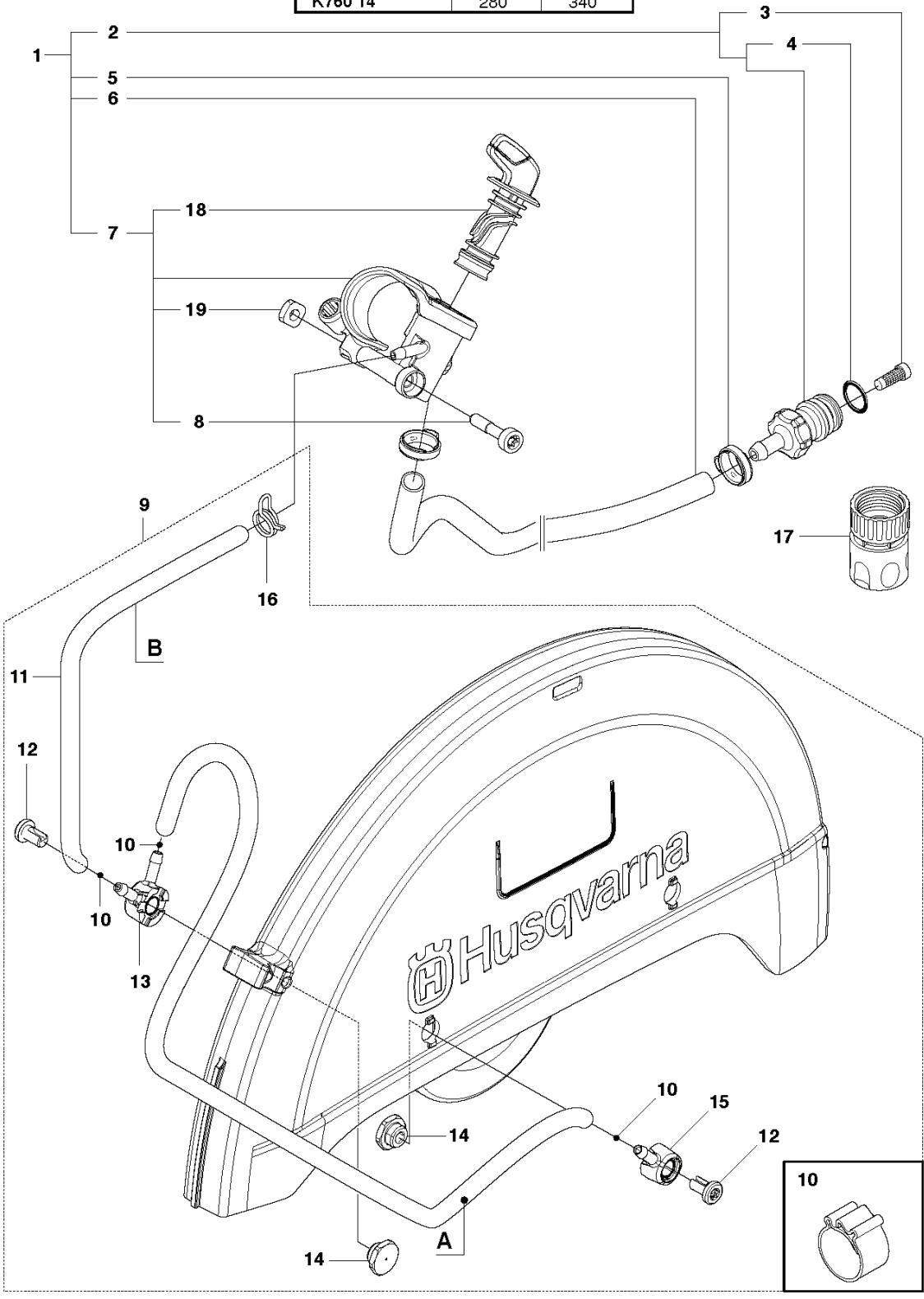


REF.	PART NO.	DESCRIPTION	REMARK	QTY.	KIT
1	503215420	SCREW ITXSCT		3	
2	577981601	HOSE GUARD		1	
3	544061201	SCREW ITXSCT		1	
4	575267702	SPRING RETAINER		1	
5	522832301	GROUND SUPPORT		1	
6	503226504	SQUARE NUT		1	
7	503215310	SCREW ITXSCT		3	
8	503215340	SCREW ITXSCT		1	
9	522832401	GROUND SUPPORT		1	
10	581110603	HANDLE ASSY	Incl. 1.11	1	
11	506387102	STOP		1	
12	503266003	COUPLER	USA, Canada	1	
12	503266004	COUPLER		1	
13	581476201	HOSE KIT		1	

N K760 II
HOSE

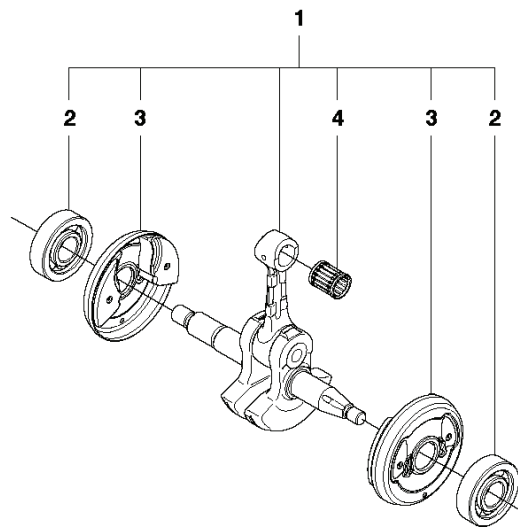


	A (mm)	B (mm)
K760 12"	235	340
K760 14"	280	340



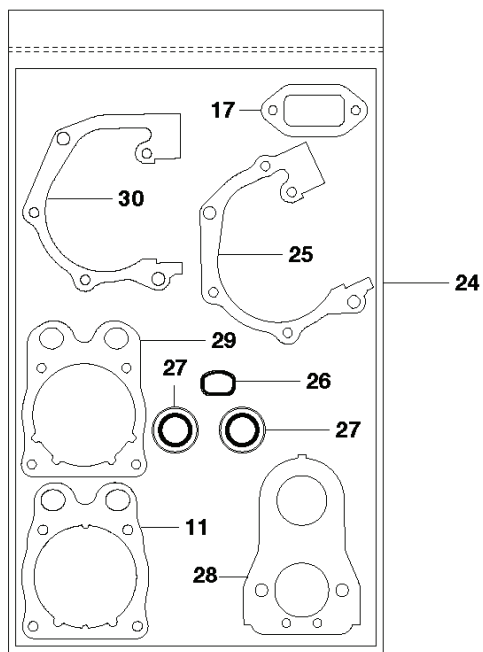
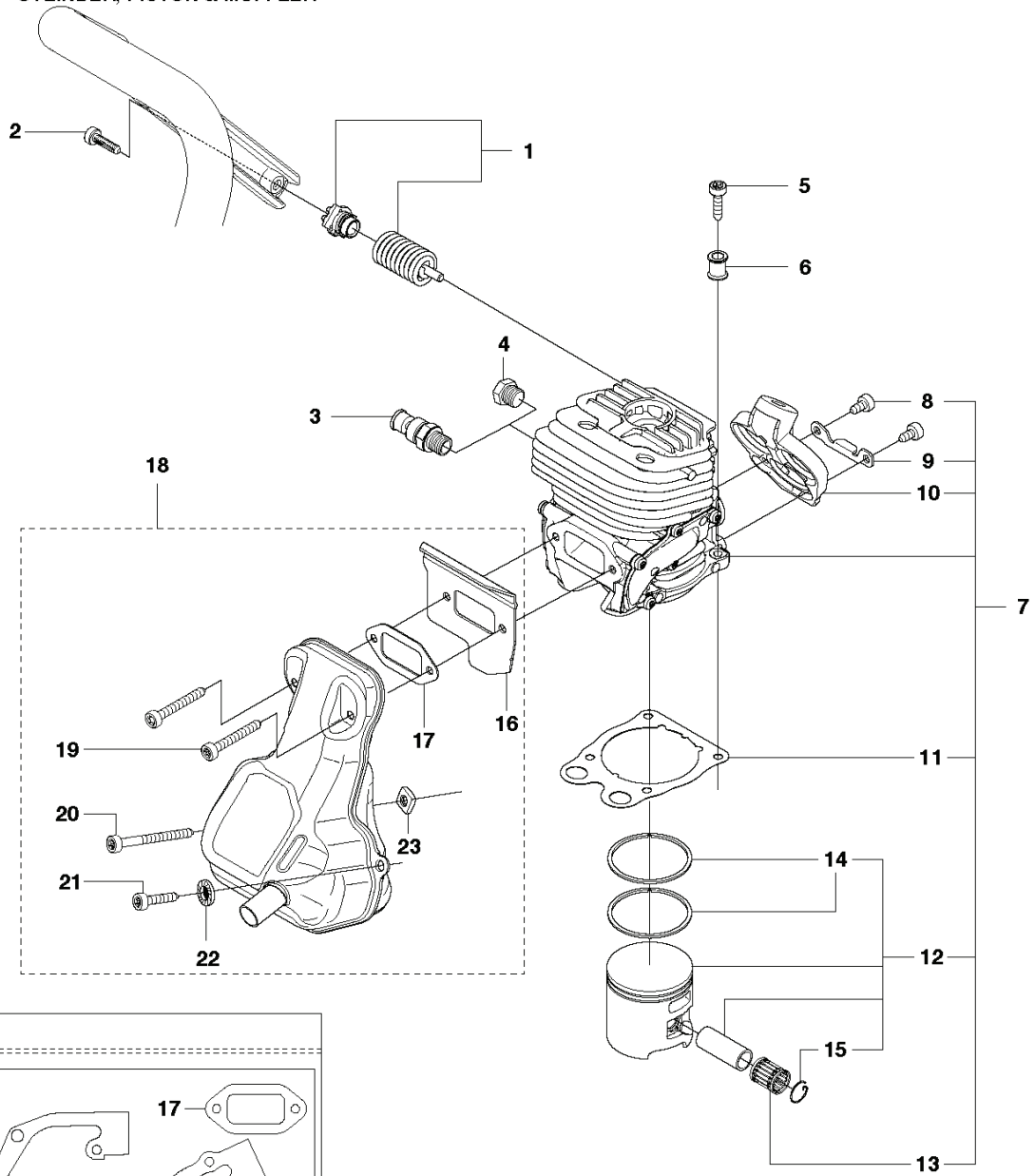
REF.	PART NO.	DESCRIPTION	REMARK	QTY.	KIT
1	581476212	HOSE KIT	Incl. 2, 5 - 7 & Hose Guard	1	
2	581478302	NIPPLE	Incl. 3, 4	1	
3	506298801	FILTER		1	
4	505103501	O-RING		1	
5	589638601	HOSE CLAMP		2	
6	578198101	HOSE		1	
7	578243302	VALVE ASSY	Incl. 8, 18, 19	1	
8	503215341	SCREW ITXSCM		1	
9	581721501	HOSE KIT	Incl. 10 - 16	1	
10	506498704	HOSE CLAMP		3	
11	578198305	HOSE	800 mm	1	
12	504634601	SCREW ITXSCM		2	
13	578190701	HOUSING		1	
14	576798401	NIPPLE		2	
15	578190801	HOUSING		1	
16	583833001	HOSE CLAMP		1	
17	503266003	COUPLER	USA, Canada	1	
17	503266004	COUPLER		1	
18	581357001	LEVER ASSY	With O-rings	1	
19	503226504	SQUARE NUT		1	

E K760 II
CRANKSHAFT



REF.	PART NO.	DESCRIPTION	REMARK	QTY.	KIT
1	596423701	CRANKSHAFT KIT	Incl. 2 - 4	1	
2	738220225	BALL BEARING		2	
3	537203301	CUP		2	
4	503255601	NEEDLE BEARING		1	

D K760 II
CYLINDER, PISTON & MUFFLER



REF.	PART NO.	DESCRIPTION	REMARK	QTY.	KIT
1	579744202	ANTIVIBRATION ELEMENT		1	
2	544061201	SCREW ITXSCM		1	
3	503715301	DECOMPRESSION VALVE		1	
4	503552201	PLUG		1	
5	503215340	SCREW ITXSCM		4	
6	576717602	SLEEVE		4	
7	581476103	CYLINDER ASSY	Incl. 8 - 13	1	
8	503215316	SCREW ITXSCM		2	
9	506368801	BRACKET		1	
10	574231802	PLATE		1	
11	581285301	GASKET		1	
12	506372403	PISTON ASSY	Incl. 13 - 15	1	
13	503255601	NEEDLE BEARING		1	
14	503289047	PISTON RING		2	
15	737431200	SNAP RING		2	
16	588915101	HEAT DEFLECTOR		1	18
17	588932501	GASKET		1	18
19	503215340	SCREW ITXSCM		2	18
20	503215356	SCREW ITXSCM		1	18
21	503215325	SCREW ITXSCM		1	18
22	503230402	WASHER		1	18
23	503226504	SQUARE NUT		1	18
24	581357402	GASKET KIT	Incl. 11, 17, 25 - 30	1	
25	506377003	GASKET		1	
26	544219302	INSERT		1	
27	503260204	SEALING RING	Blue	2	
28	506376804	GASKET		1	
29	506376701	GASKET		1	
30	506377002	GASKET		1	
18	592778301	MUFFLER KIT		1	