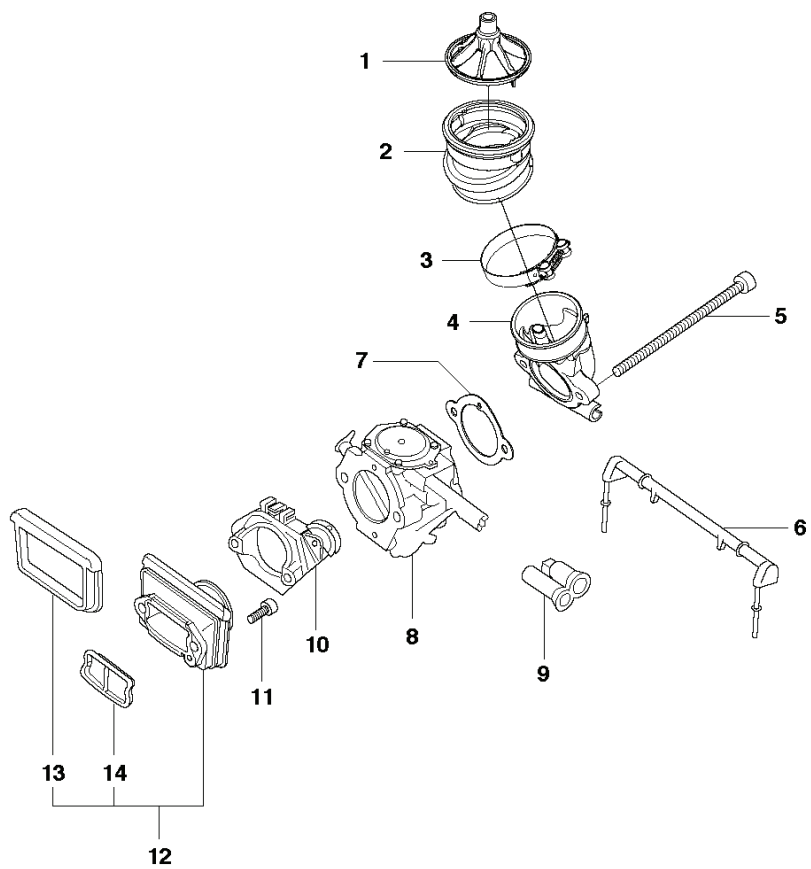


K1260, 2010-10

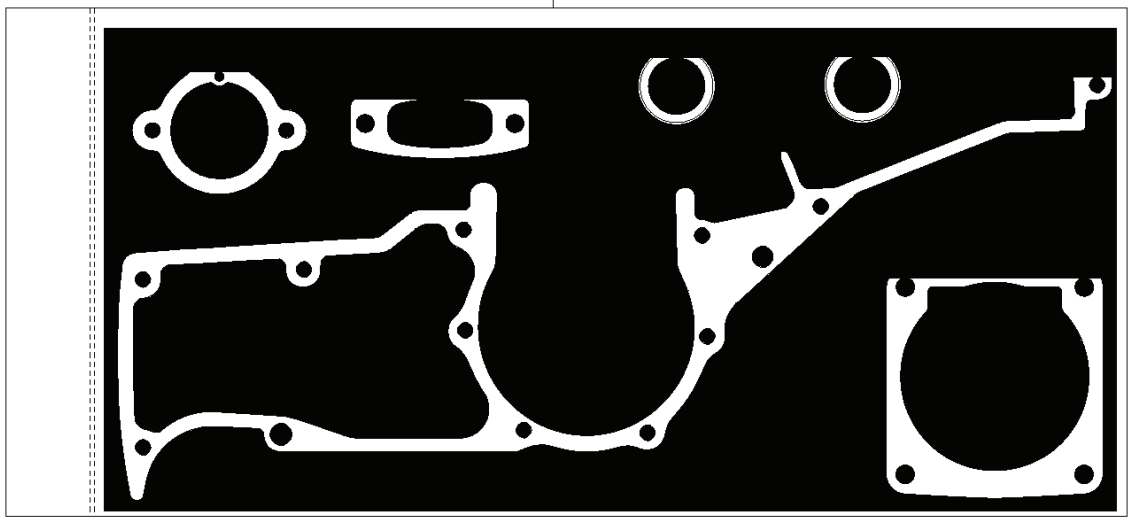
---

# **SPARE PARTS LIST**

**M** K1260  
K1260 Rail

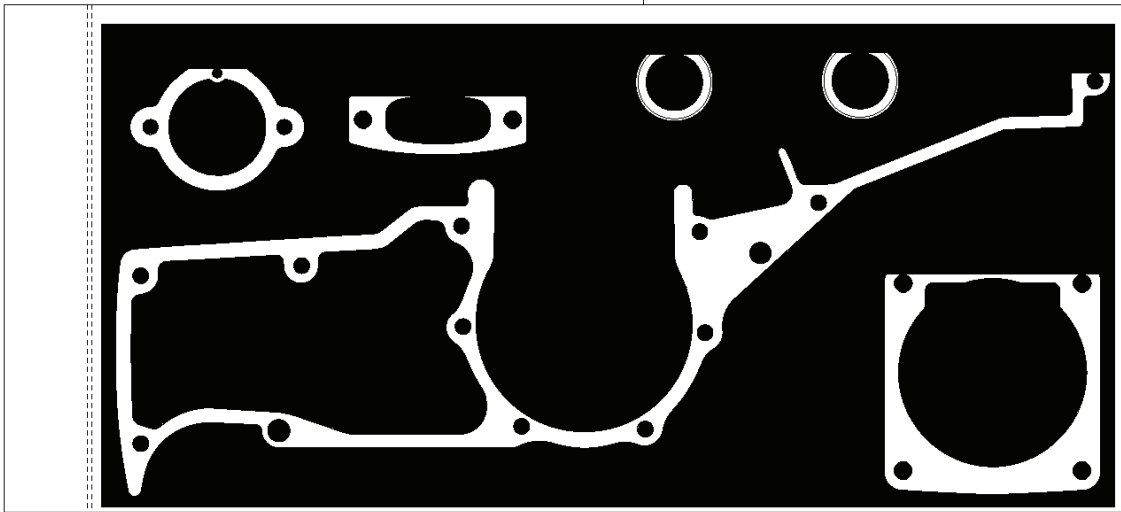
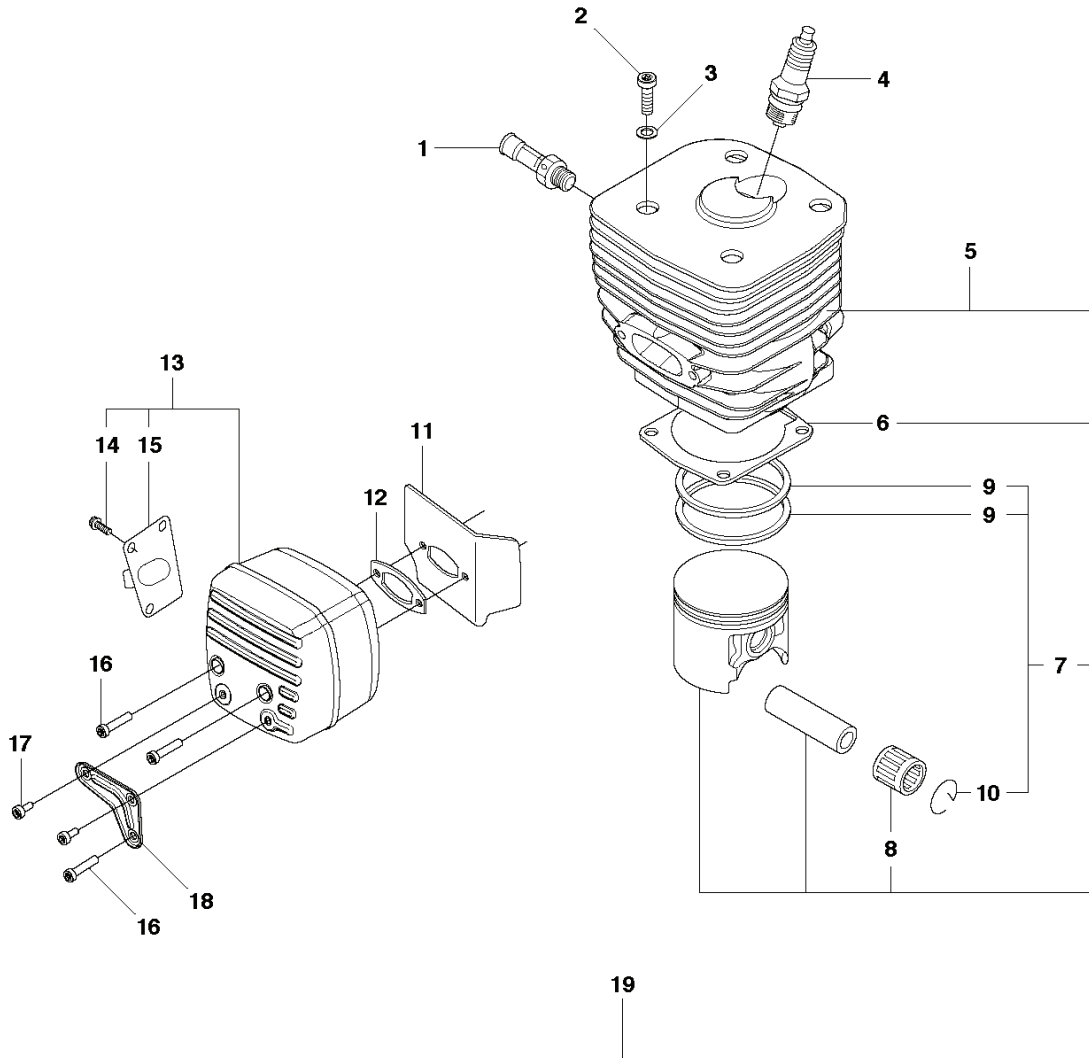


15



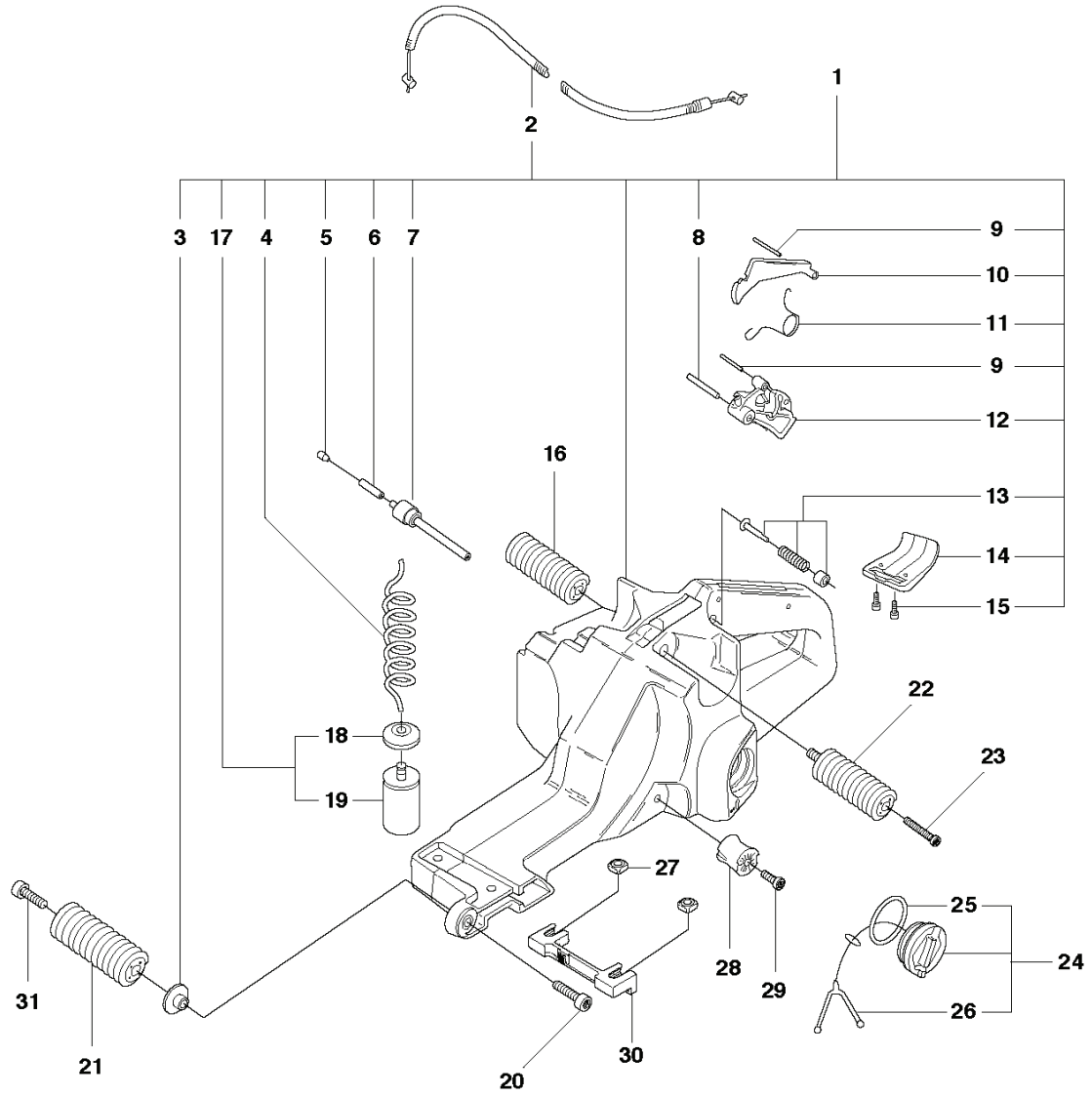
REF.	PART NO.	DESCRIPTION	REMARK	QTY.	KIT
18	503134501	CRANKCASE		1	
19	503134601	GASKET		1	
1	510243901	FILTER		1	
2	510243801	BELLOWS		0	
3	505283307	HOSE CLAMP		1	
4	510243701	INLET		1	
5	504909465	SCREW ITXSCT		2	
6	506250401	SUPPORT		1	
7	506274302	GASKET		1	
8	503281270	CARBURETTOR		1	
9	506254601	CHISEL GUIDE		1	
10	506289701	FLANGE		1	
11	503215320	SCREW ITXSCT		2	
12	506275202	FLANGE	Incl. 13 - 14	1	
13	503143701	SEALING		1	
14	506313801	INSERT		1	
15	506292403	GASKET KIT	Incl. 7, 16 - 19	1	
16	503131305	GASKET		1	
17	503260205	SEALING RING		2	

**E** K1260  
K1260 Rail



REF.	PART NO.	DESCRIPTION	REMARK	QTY.	KIT
1	503665601	DECOMPRESSION VALVE		1	
2	516002401	SCREW UNC		4	
3	503230005	WASHER		4	
4	503235111	SPARK PLUG	RCJ 6Y	1	
5	576270002	CYLINDER ASSY	Incl. 6 - 8	1	
6	503134601	GASKET		1	
7	501894103	PISTON ASSY	Incl. 9 - 10	1	
8	503132901	NEEDLE HOLDER		1	
9	503289026	PISTON RING		2	
10	737441300	CIRCLIP		2	
11	506341401	COOLING AIR CONDUCTOR		1	
12	503131305	GASKET		1	
13	505417901	MUFFLER ASSY	Incl. 14 - 15	1	
14	574560401	SCREW EHHM		4	
15	505419001	EXHAUST DUCT		1	
16	544218420	SCREW ITXSCM		3	
17	503215312	SCREW ITXSCM		2	
18	502850801	SUPPORT		1	
19	506292403	GASKET KIT	Incl. 6, 12, 20 - 22	1	
20	506274302	GASKET		1	
21	503134501	CRANKCASE		1	
22	503260205	SEALING RING		2	

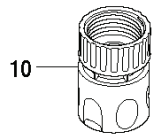
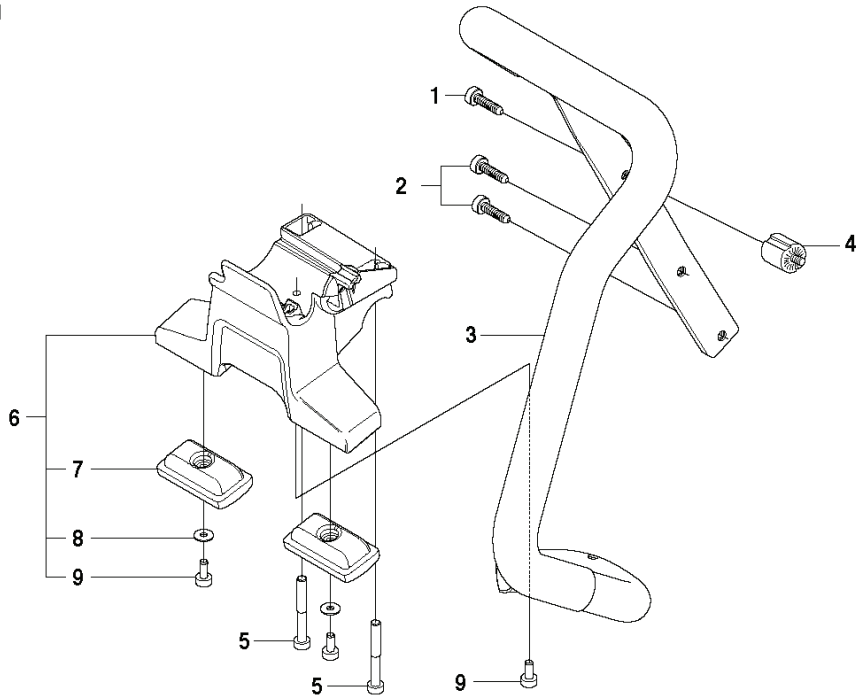
**H** K1260  
K1260 Rail



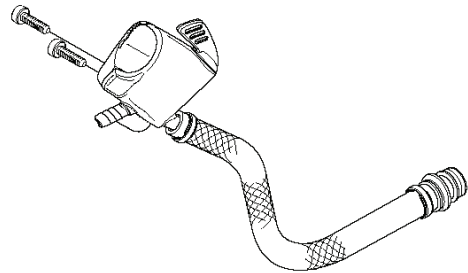
REF.	PART NO.	DESCRIPTION	REMARK	QTY.	KIT
1	503142106	TANK UNIT ASSY	Incl. 1 - 15, 17	1	
2	506289801	THROTTLE CABLE ASSY		1	
3	503140801	BUSHING		1	
4	503577602	FUEL HOSE		1	
5	504357201	PLUG		1	
6	501768304	FUEL HOSE		1	
7	506293901	TANK VENT		1	
8	720127806	PARALLEL PIN		1	
9	720124020	PARALLEL PIN		1	
10	503131601	THROTTLE LOCKOUT		1	
11	503131801	SPRING		1	
12	503133601	THROTTLE CONTROL ASSY		1	
13	503142301	PIN		1	
14	506233401	SUPPORT		1	
15	503214516	SCREW CRCSFT		2	
16	503132602	ANTIVIBRATION ELEMENT		1	
17	506264111	FUEL FILTER	Incl. 18 - 19	1	
18	506271101	HOSE CLAMP		1	
19	506264101	FUEL FILTER		1	
20	503215320	SCREW ITXSCM		2	
21	503132702	ANTIVIBRATION ELEMENT		1	
22	503132502	ANTIVIBRATION ELEMENT		1	
23	544218420	SCREW ITXSCM		2	
24	506255903	TANK CAP ASSY	Incl. 25 - 26	1	
25	506292101	GASKET		1	
26	503578901	HOLDER		1	
27	505420401	NUT		2	
28	501814701	ANTIVIBRATION ELEMENT		1	
29	503215312	SCREW ITXSCM		1	
30	574512201	LOCK NUT		1	
31	503215325	SCREW ITXSCM		1	



**G** K1260  
K1260 Rail



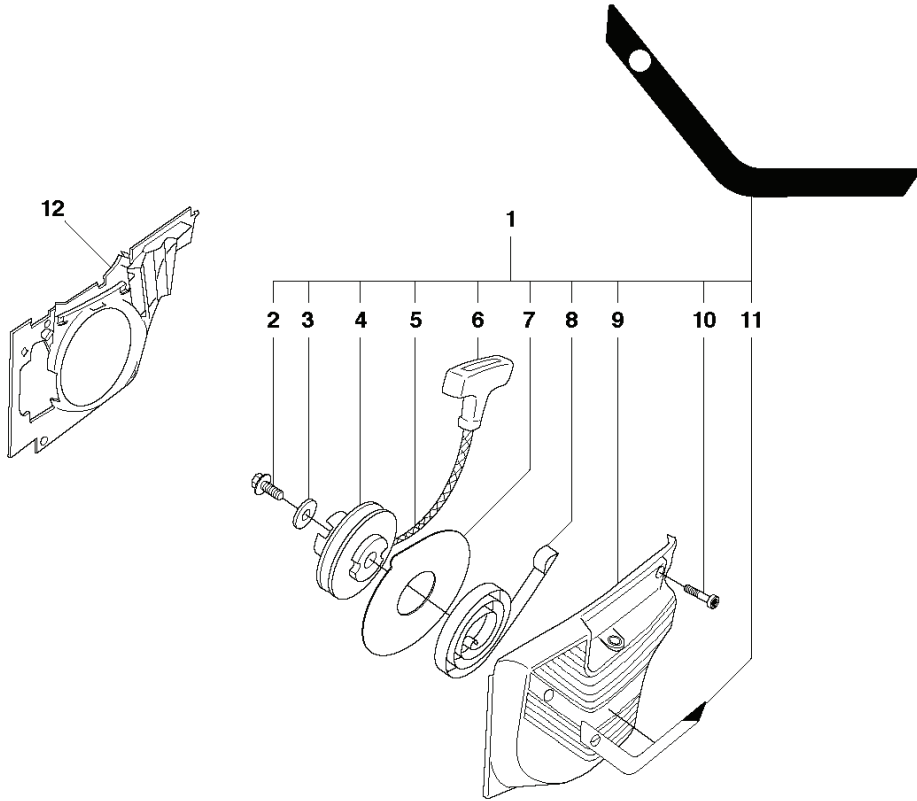
**11:**



---

REF.	PART NO.	DESCRIPTION	REMARK	QTY.	KIT
1	503215310	SCREW ITXSCM		1	
2	503215420	SCREW ITXSCT		2	
3	521954801	HANDLE		1	
4	501269704	ANTIVIBRATION ELEMENT		1	
5	544218447	SCREW ITXSCM		2	
6	525820401	GROUND SUPPORT	Incl. 7 - 9	1	
7	544811601	BASE		2	
8	734114741	WASHER		2	
9	503215312	SCREW ITXSCM		3	
10	503266003	COUPLER	USA, Canada	1	
10	503266004	COUPLER		1	
11	505095501	HOSE KIT		1	

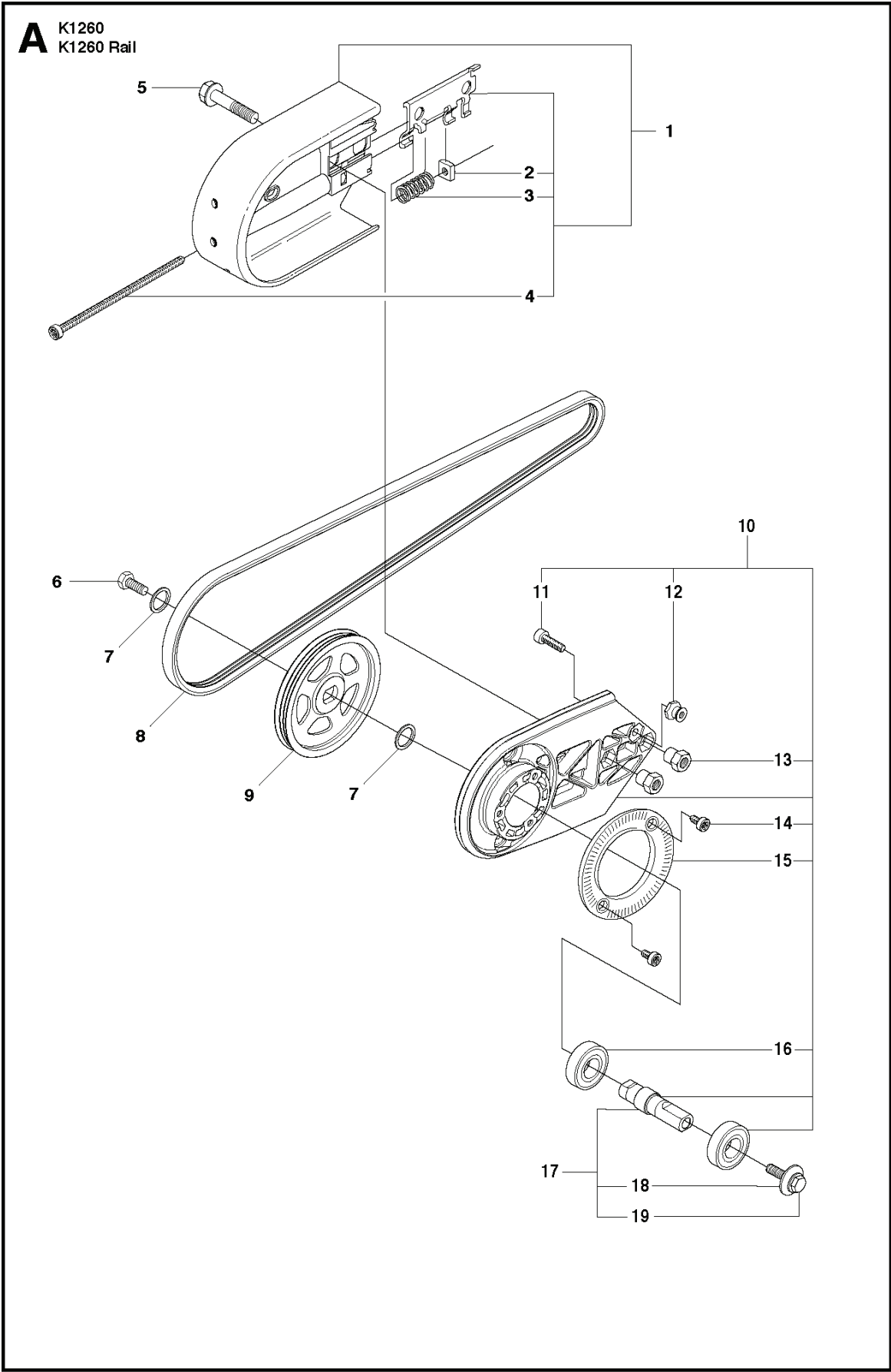
**J** K1260  
K1260 Rail



---

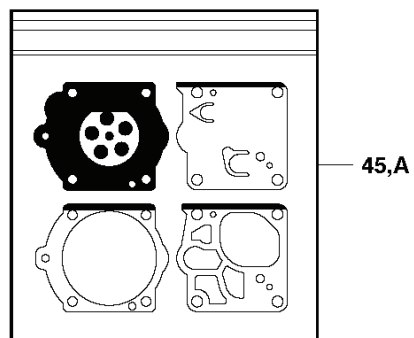
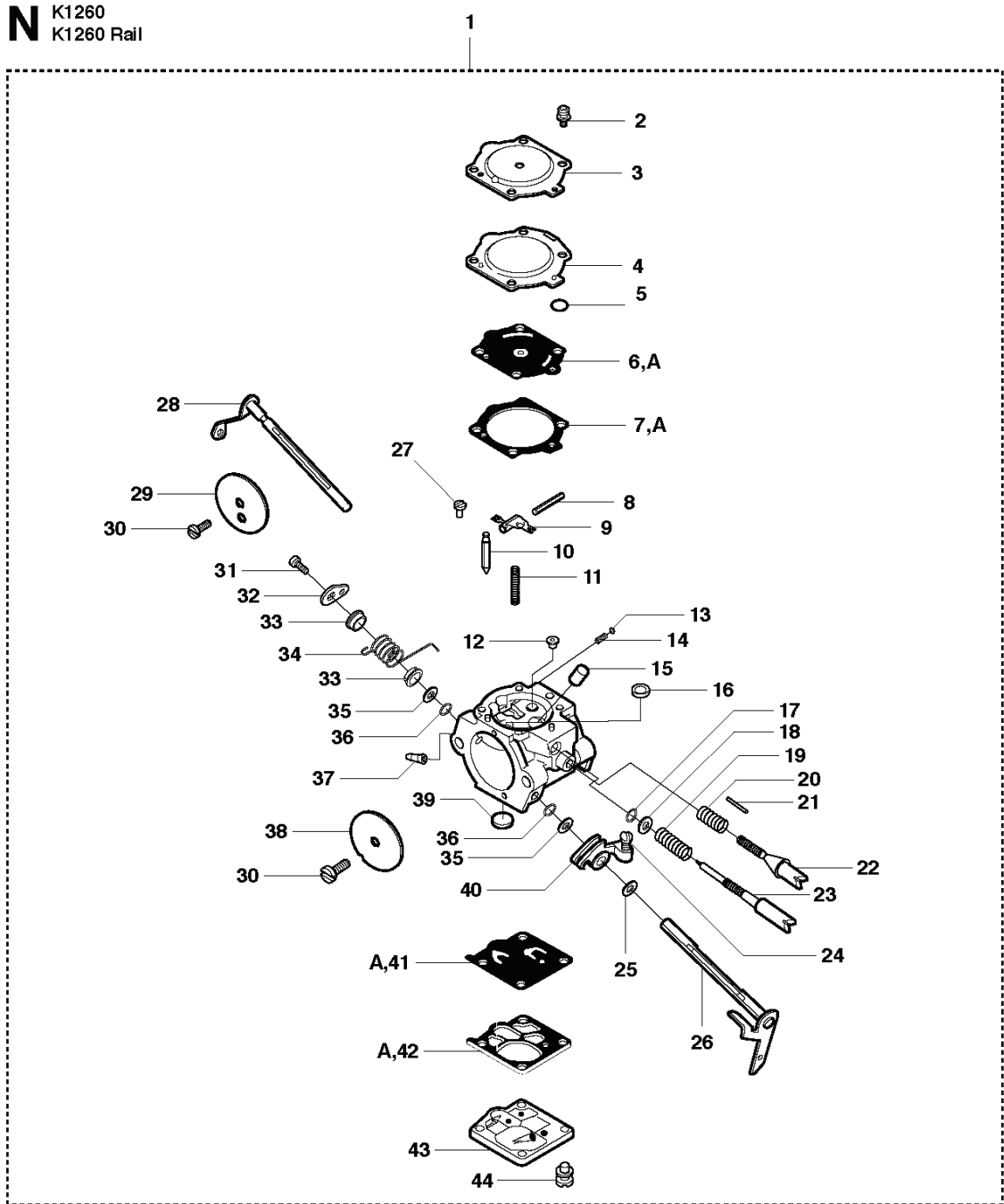
REF.	PART NO.	DESCRIPTION	REMARK	QTY.	KIT
1	506275511	STARTER	Incl. 2 - 11	1	
2	503210616	SCREW IHSTC		1	
3	503234302	WASHER		1	
4	501896701	STARTER PULLEY		1	
5	506335625	STARTER ROPE		1	
5	506335650	STARTER ROPE	50 meter	1	
6	503127901	STARTER HANDLE		1	
7	503743601	DISC		1	
8	503135001	RECOIL SPRING		1	
9	506255802	STARTER COVER		1	
10	501981005	SCREW ITXSCM		4	
11	544873501	LABEL		1	
12	501895902	AIR CONDUCTOR		1	
12	501895903	AIR CONDUCTOR	Rail Stop Switch only	1	

**A** K1260  
K1260 Rail



REF.	PART NO.	DESCRIPTION	REMARK	QTY.	KIT
1	506279206	BELT GUARD	Incl. 2 - 4	1	
1	506279207	BELT GUARD	"Rail 14", Incl. 2 - 4"	1	
1	506279208	BELT GUARD	"Rail 16", Incl. 2 - 4"	1	
2	506409301	NUT		1	
3	506266801	COMPRESSION SPRING		1	
4	503207205	SCREW CITXSCM		1	
5	506284401	SCREW EHHFM		2	
6	503200045	SCREW EHHFM		1	
7	503230104	WASHER		2	
8	544976301	BELT	"14", "16", "Rail 14"	1	
8	544976302	BELT	"Rail 16"	1	
9	578110501	PULLEY		1	
10	581351710	BEARING HOUSING	Incl. 11 - 15	1	
11	505574116	SCREW ITXSCM		1	
12	506143201	NUT CAP		1	
13	506287301	NUT		2	
14	503215310	SCREW ITXSCM		2	
15	506288401	SCREEN		1	
16	583953301	BALL BEARING		2	
17	506298365	SHAFT	Incl. 18 - 19	1	
18	506139511	WASHER		1	
19	581855201	SCREW		1	

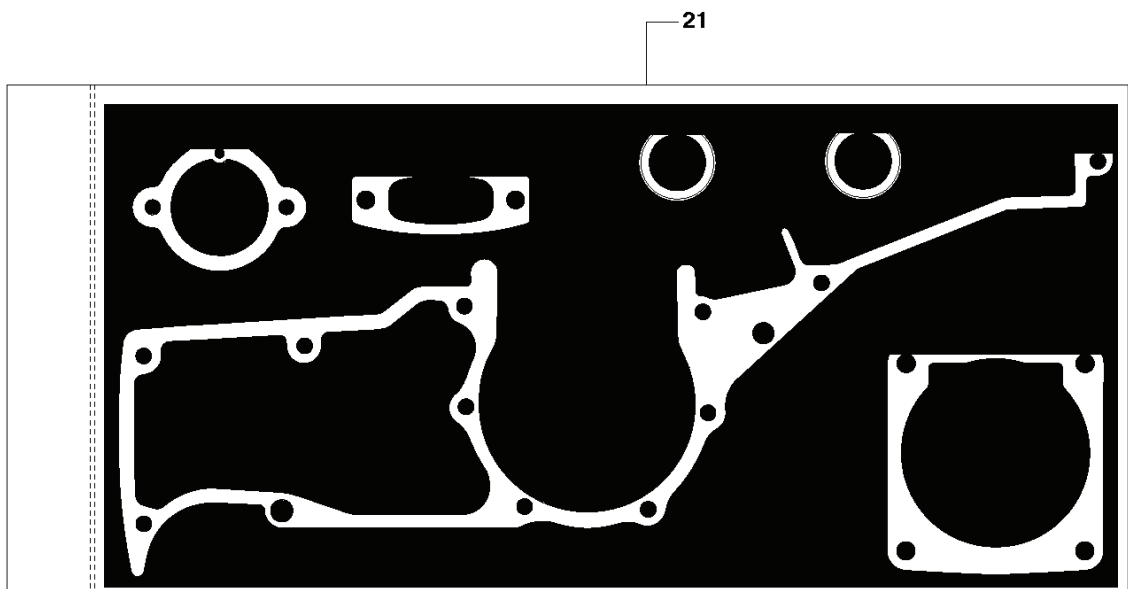
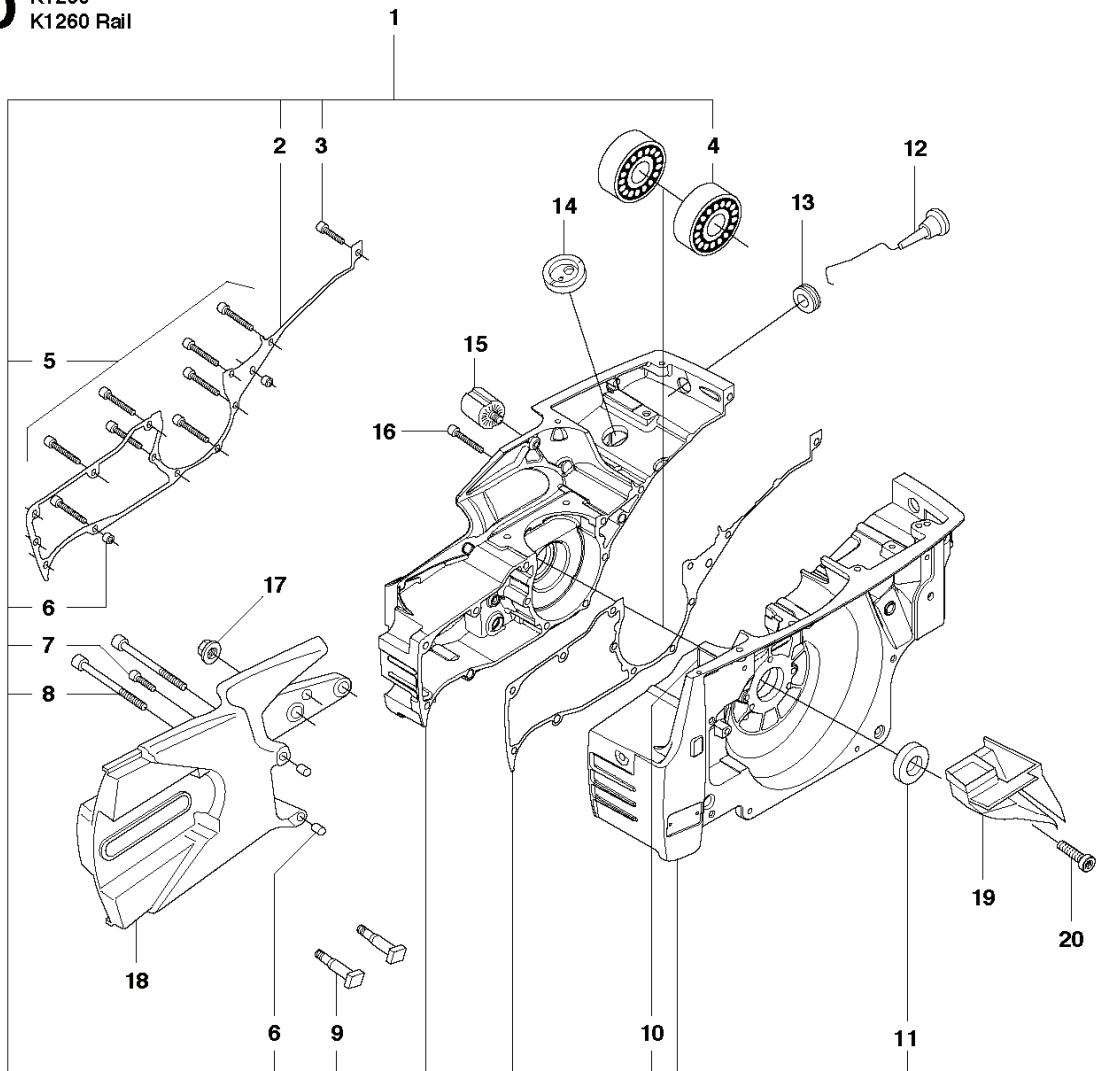
**N** K1260  
K1260 Rail



REF.	PART NO.	DESCRIPTION	REMARK	QTY.	KIT
1	503281270	CARBURETTOR		1	
2	537003101	SCREW		1	
3	501692801	COVER		1	
4	537002901	COVER		1	
5	537002801	RING		1	
6	503632801	DIAPHRAGM ASSY	Kit 45	1	
7	501467501	GASKET	Kit 45	1	
8	505316731	PIN		1	
9	505316734	LEVER		1	
10	503563401	NEEDLE VALVE		1	
11	576769001	SPRING		1	
12	537153401	JET		1	
13	501468501	BALL		1	
14	501468401	SPRING		1	
15	503976601	NOZZLE ASSY		1	
16	503574201	PLUG		1	
17	503595501	O-RING		1	
18	503597201	WASHER		1	
19	505316737	SPRING		1	
20	503633101	SPRING		1	
21	503526001	PIN THROTTLE STOP		1	
22	503632901	SCREW IDLE SPEED		1	
23	503633201	NEEDLE IDLE SPEED		1	
24	503596501	SCREW		1	
25	506028301	WASHER		1	
26	503595901	SHAFT ASSY		1	
27	505316717	SCREW		1	
28	537003001	SHAFT ASSY		1	
29	503525801	VALVE CHOKE		1	
30	530035015	SCREW		2	
31	503192201	SCREW PAN HD(M2.5X5)		1	
32	503595601	LEVER		1	
33	502103101	BUSHING		2	
34	503525901	SPRING THROTT RETURN		1	
35	505316748	WASHER		2	
36	503564501	SEAL		2	
37	503598401	FITTING		1	
38	503632401	VALVE THROTTLE		1	
39	501666101	SCREEN		1	
40	503595701	LEVER		1	
41	503117301	DIAPHRAGM PUMP	Kit 45	1	
42	503117201	GASKET	Kit 45	1	
43	503595801	COVER		1	
44	503117501	SCREW		1	
45	503597402	GASKET KIT		1	

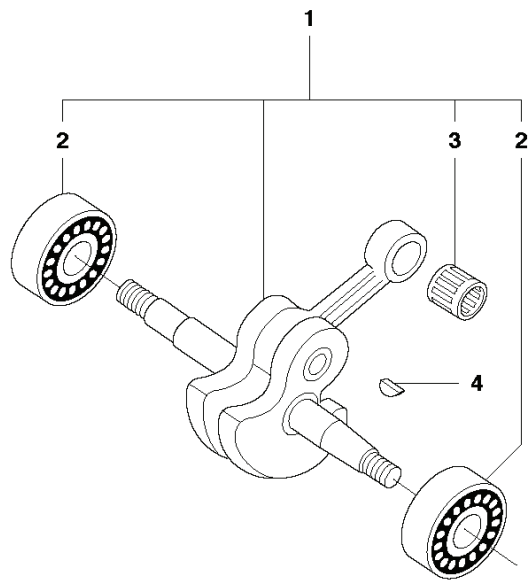


**D** K1260  
K1260 Rail



REF.	PART NO.	DESCRIPTION	REMARK	QTY.	KIT
1	576223902	CRANKCASE	Incl. 2-11	1	
2	503134501	CRANKCASE		1	
3	503215320	SCREW ITXSCM		1	
4	503250002	BALL BEARING		2	
5	503215341	SCREW ITXSCM		9	
6	501270801	GUIDE BUSHING		4	
7	503215321	SCREW ITXSCM		1	
8	503215365	SCREW ITXSCM		2	
9	501815701	BAR BOLT		2	
10	721420600	SPRING PIN		1	
11	503260205	SEALING RING		2	
12	506254301	CHOKE CONTROL		1	
13	503145402	GROMMET		1	
14	503132001	GROMMET		1	
15	501269704	ANTIVIBRATION ELEMENT		1	
16	544218420	SCREW ITXSCM		1	
17	503220001	HEXAGON NUT		1	
18	506241404	CUTTER ARM		1	
19	506237001	AIR NOZZLE		1	
20	501981001	SCREW ITXSCM		1	
21	506292403	GASKET KIT	Incl. 2, 11, 22 - 24	1	
22	506274302	GASKET		1	
23	503131305	GASKET		1	
24	503134601	GASKET		1	

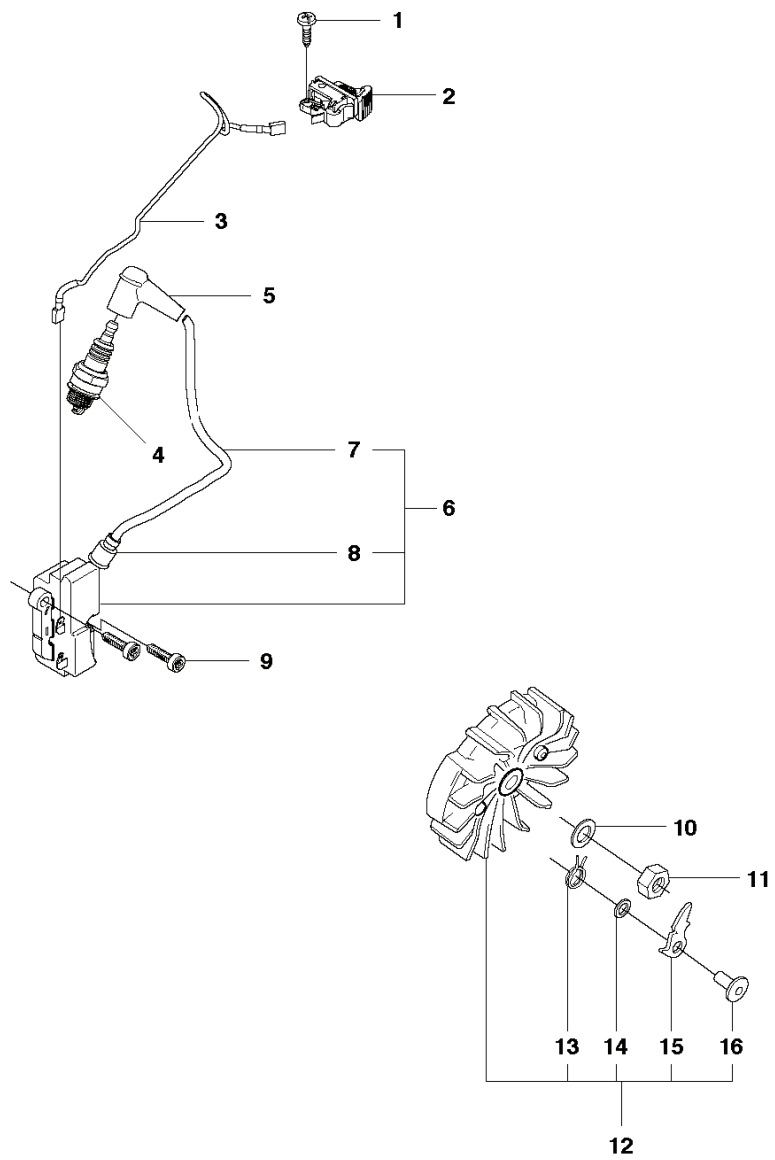
**F** K1260  
K1260 Rail



---

REF.	PART NO.	DESCRIPTION	REMARK	QTY.	KIT
1	577343802	CRANKSHAFT	Incl. 2, 3	1	
2	503250002	BALL BEARING		2	
3	503132901	NEEDLE HOLDER		1	
4	735880600	WOODRUFF KEY		1	

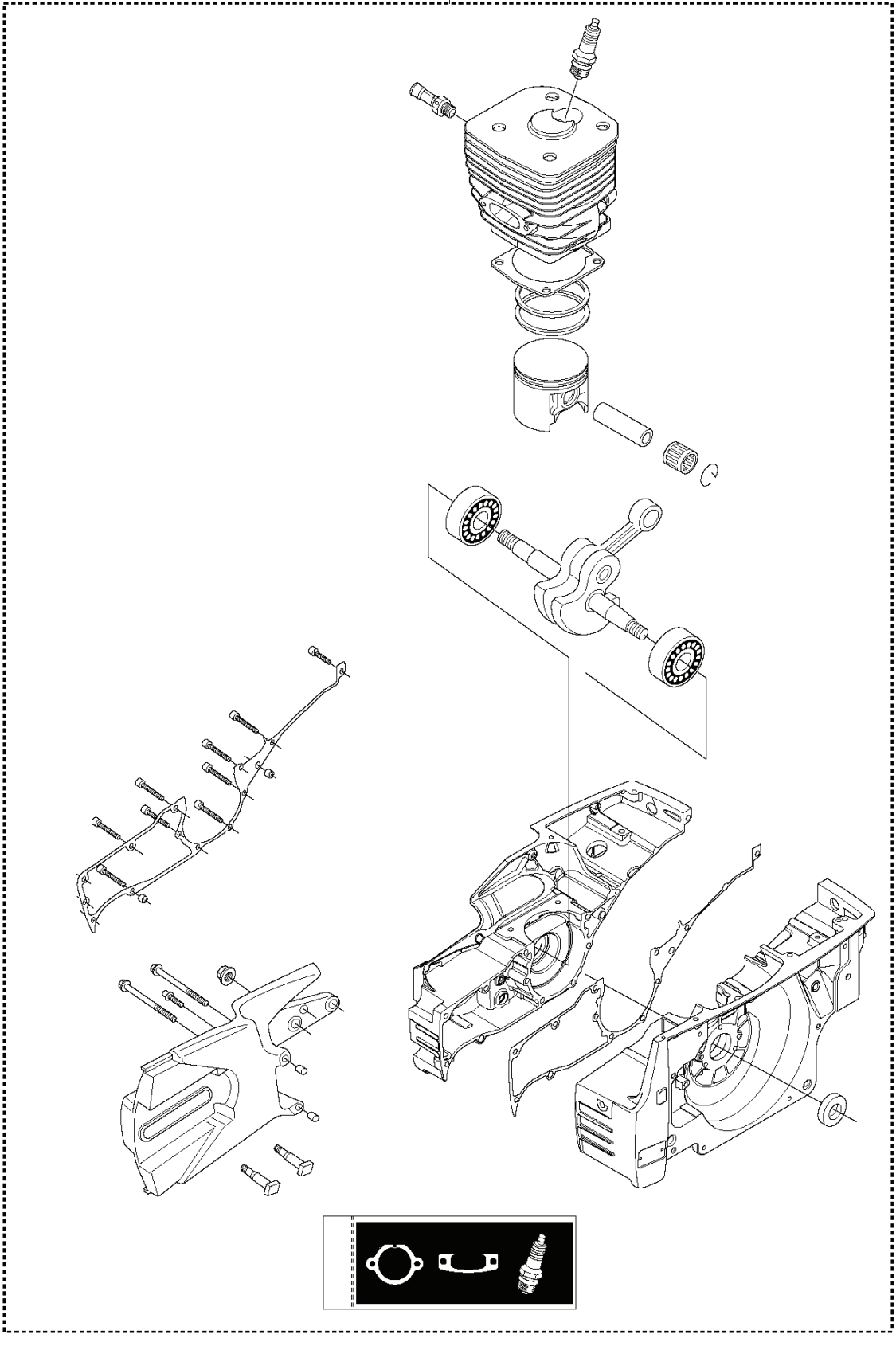
**K** K1260  
K1260 Rail



REF.	PART NO.	DESCRIPTION	REMARK	QTY.	KIT
1	525887402	SCREW CITXPANT		1	
2	506318602	STOP SWITCH		1	
3	501839803	CABLE		1	
4	503235109	SPARK PLUG	RCJ 6Y	1	
5	501485402	SPARK PLUG CAP		1	
6	510115604	IGNITION MODULE	Incl. 7 - 8	1	
7	506387834	IGNITION CABLE		1	
8	505277516	CABLE SLEEVE		1	
9	503215320	SCREW ITXSCM		2	
10	735117350	SPRING WASHER		1	
11	503221003	HEXAGON NUT		1	
12	522892004	FLYWHEEL ASSY	Incl. 13 - 16	1	
13	501634801	SPRING		2	
14	503230042	WASHER		2	
15	501673203	PAWL		2	
16	506006901	SCREW		2	

**S** K1260  
K1260 Rail

1

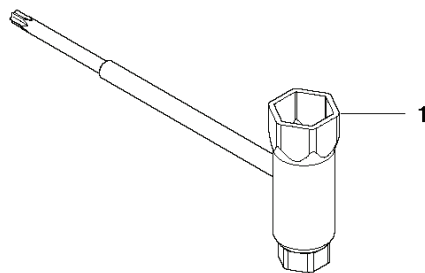


---

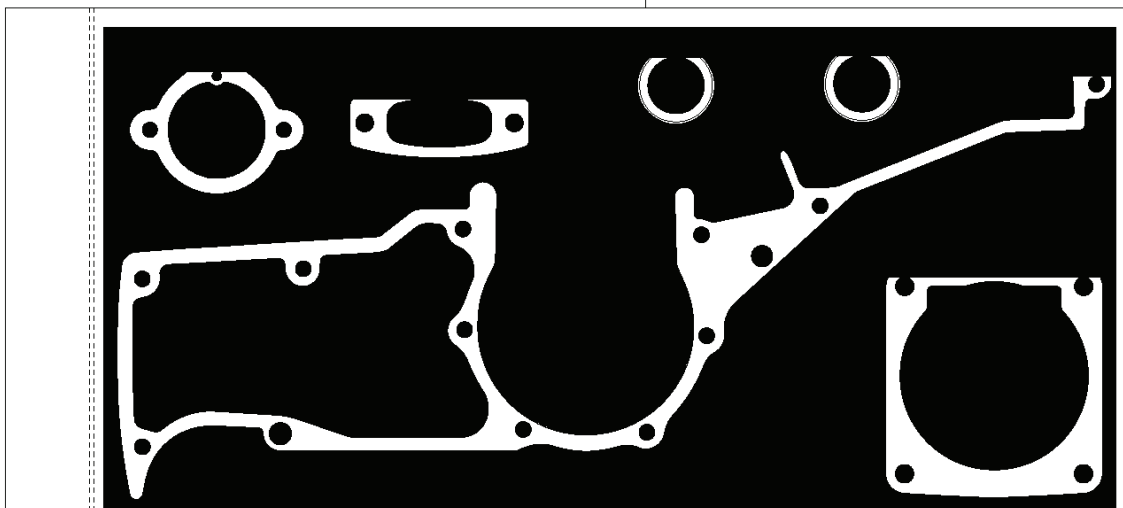
REF.	PART NO.	DESCRIPTION	REMARK	QTY.	KIT
1	576223904	CRANKCASE		1	



**P** K1260  
K1260 Rail  
**Accessories**  
**Zubehöre**  
**Accessoires**  
**Accesorios**  
**Tillbehör**



2



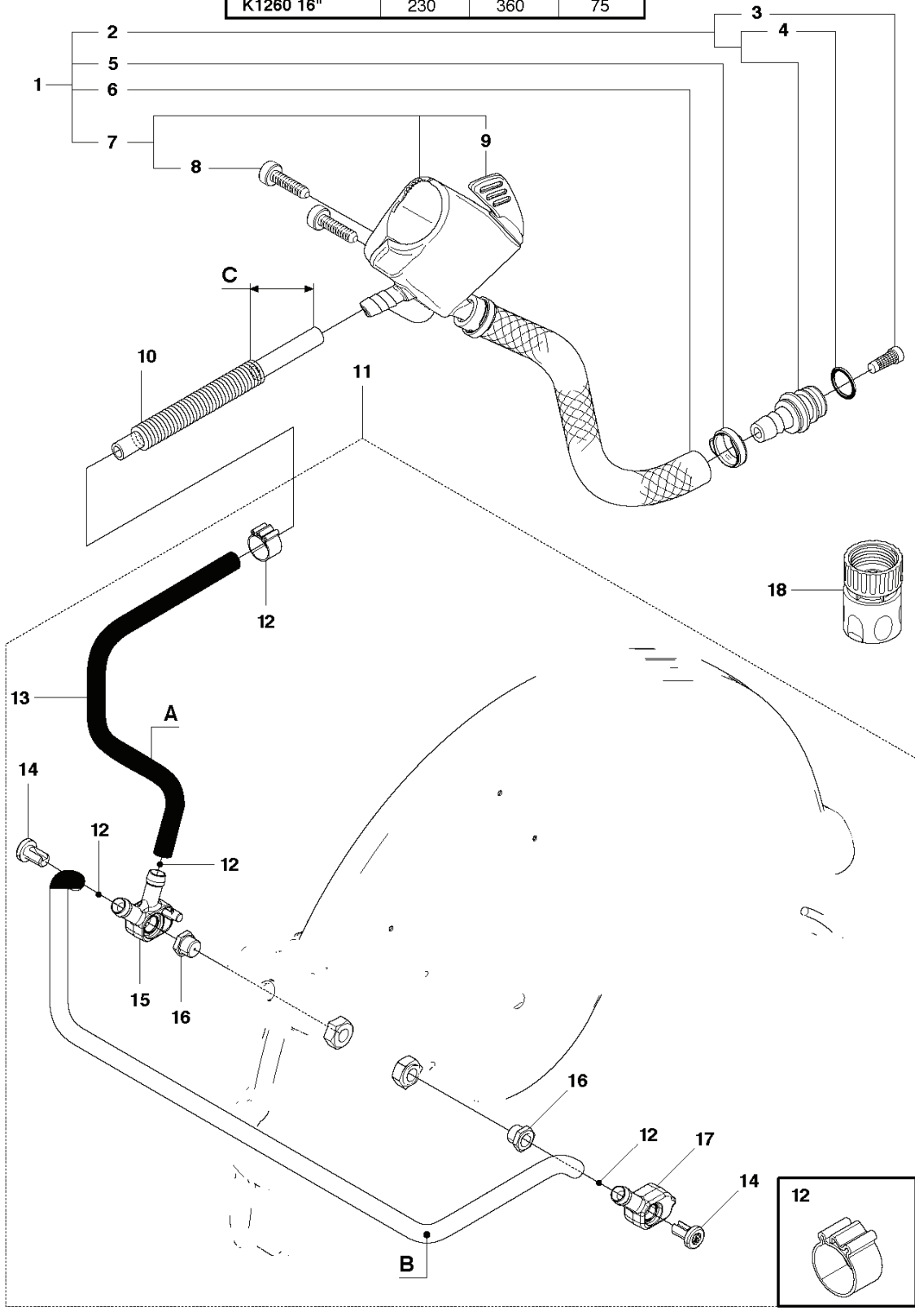
---

REF.	PART NO.	DESCRIPTION	REMARK	QTY.	KIT
1	506382601	TOOL	Torx 27	1	
2	506292403	GASKET KIT	Incl. 3 - 7	1	
3	506274302	GASKET		1	
4	503131305	GASKET		1	
5	503260205	SEALING RING		2	
6	503134501	CRANKCASE		1	
7	503134601	GASKET		1	

**Q** K1260  
K1260 Rail

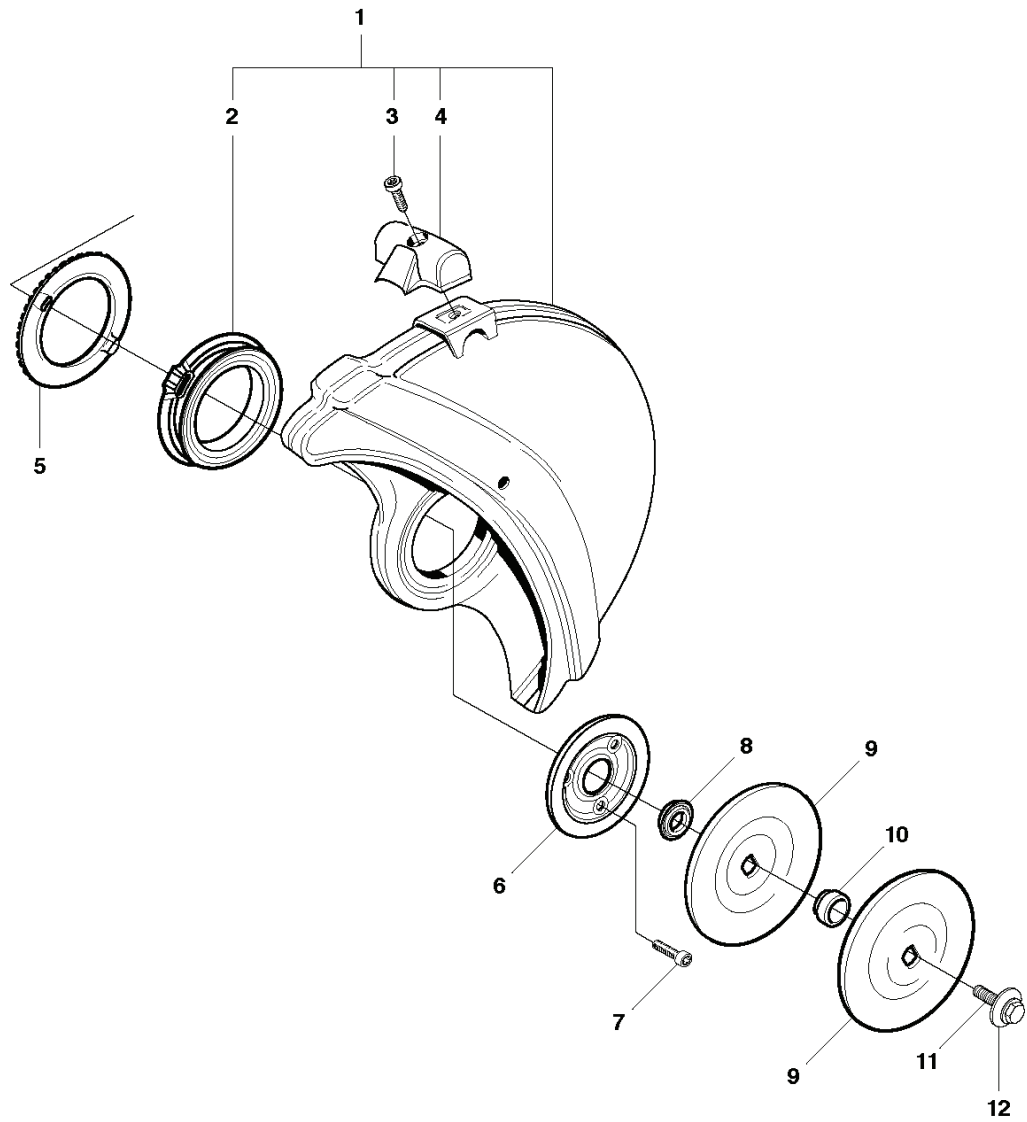


	A (mm)	B (mm)	C (mm)
K1260 14"	205	360	75
K1260 16"	230	360	75



REF.	PART NO.	DESCRIPTION	REMARK	QTY.	KIT
1	505095501	HOSE KIT	Incl. 2, 5-7	1	
2	506295702	NIPPLE	Incl. 3, 4	1	
3	506298801	FILTER		1	
4	505103501	O-RING		1	
5	506498702	HOSE CLAMP		1	
6	506607501	HOSE		1	
7	506386012	VALVE ASSY	Incl. 8	1	
8	503215420	SCREW ITX SCT		2	
9	505524201	VALVE SPINDLE		1	
10	506352701	PROTECTIVE SPRING		1	
11	505095401	HOSE KIT		1	
12	506498701	HOSE CLAMP		4	
13	506606806	HOSE	620 mm	1	
14	504634601	SCREW ITX SCM		2	
15	504634401	HOUSING		1	
16	504634201	NIPPLE		2	
17	504634501	HOUSING		1	
18	503266003	COUPLER	USA, Canada	1	
18	503266004	COUPLER		1	

**B** K1260  
K1260 Rail

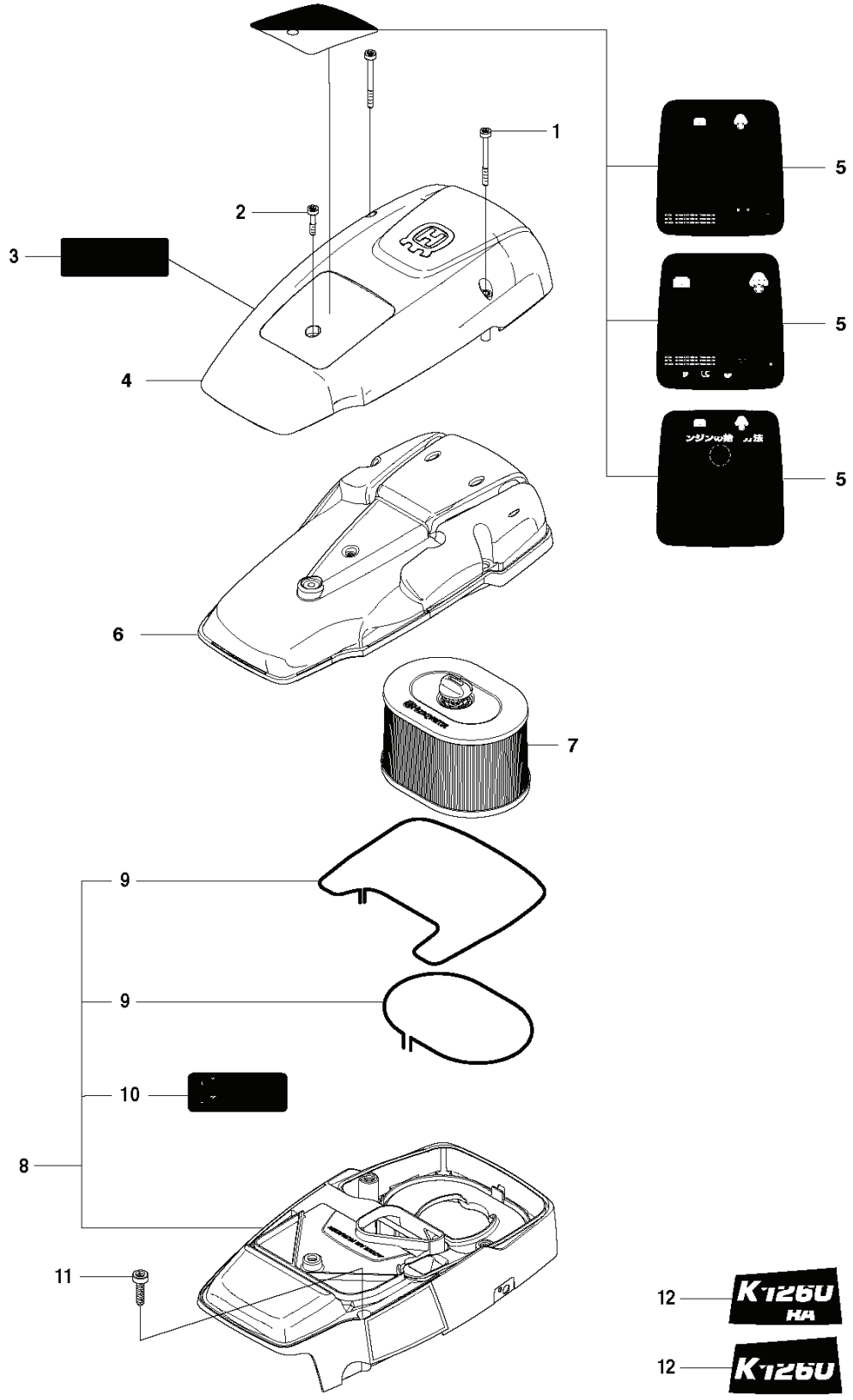


13

14

REF.	PART NO.	DESCRIPTION	REMARK	QTY.	KIT
1	506340544	BLADE GUARD	"14"" Incl. 2 - 4"	1	
1	506340546	BLADE GUARD	"16"" Incl. 2 - 4"	1	
1	506340554	BLADE GUARD	"14"" Rail, Incl. 2 - 4"	1	
1	506340556	BLADE GUARD	"16"" Rail, Incl. 2 - 4"	1	
2	506266302	LINING		1	
3	503215320	SCREW ITXSCM		1	
4	506344602	HANDLE		1	
5	506266401	SCREEN		1	
6	506266501	FLANGE		1	
7	505574116	SCREW ITXSCM		3	
8	506324801	SUPPORT FLANGE		1	
9	506028701	FLANGE WASHER	Diam 105	1	
9	506070901	FLANGE WASHER	Diam 119	1	
10	506379620	KIT	Diam 20	1	
10	506379622	BUSHING	Diam 22,2	1	
10	506379625	KIT	Diam 25	1	
10	506028830	BUSHING	Diam 30,5	1	
11	506139601	SCREW EHIHFM		1	
12	506139511	WASHER		1	
13	506284112	LABEL	"14"" Diam 20 mm"	1	
13	506284114	LABEL	"14"" Diam 1""	1	
13	506284122	LABEL	"16"" Diam 20 mm"	1	
13	506284124	LABEL	"16"" Diam 1""	1	
14	576121002	DECAL	"Japan 14""	1	
14	576121003	DECAL	"Japan 16""	1	

**L** K1260  
K1260 Rail

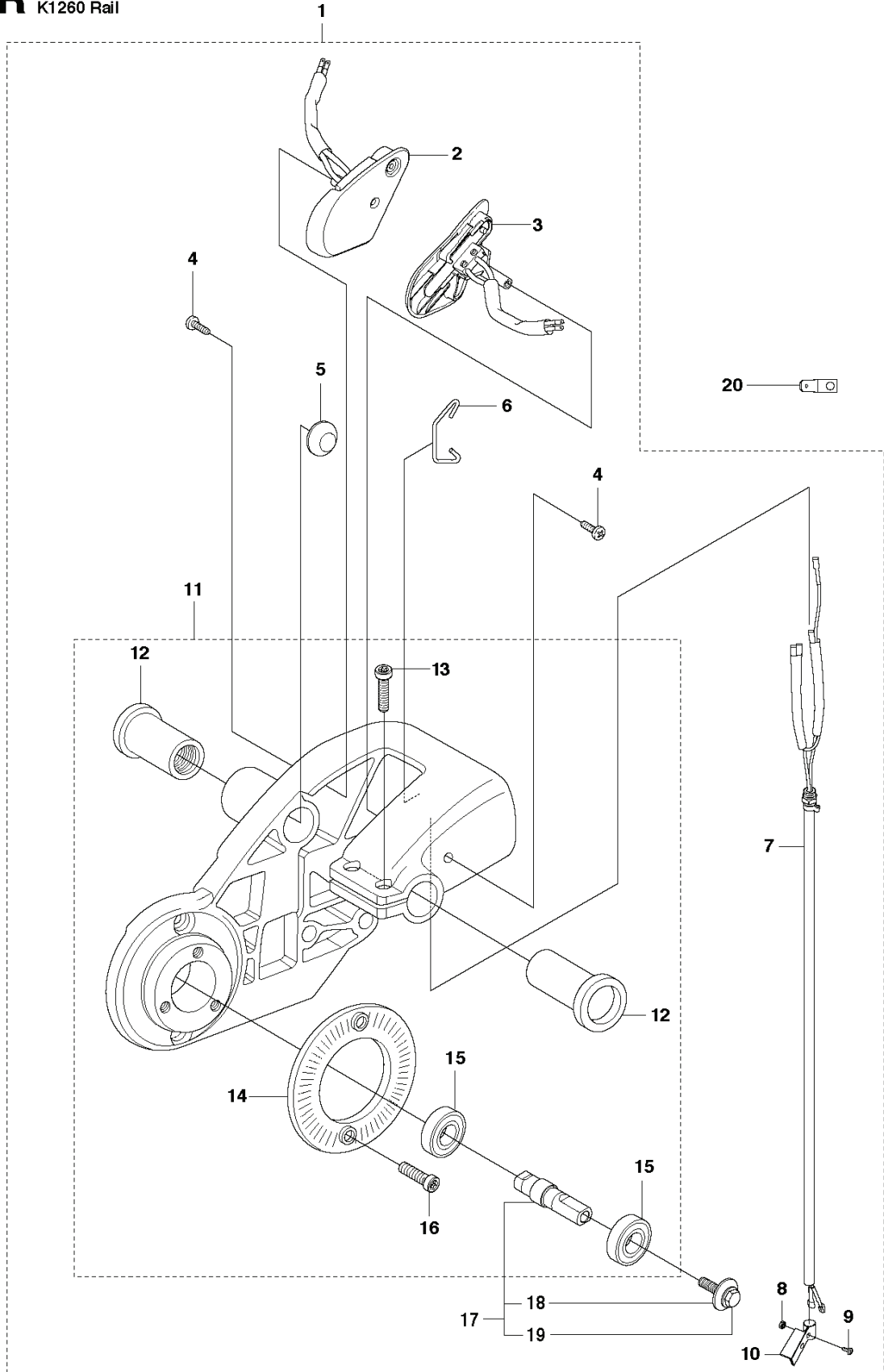


---

REF.	PART NO.	DESCRIPTION	REMARK	QTY.	KIT
1	503215356	SCREW ITXSCM		2	
2	503215326	SCREW ITXSCM		1	
3	525763502	DECAL		1	
5	525818103	DECAL	USA	1	
5	525818104	DECAL	Canada, CE	1	
5	576120901	DECAL	Japan	1	
4	525321801	COVER		1	
6	525321601	FILTER COVER		1	
7	510244101	AIR FILTER		1	
8	576553201	CYLINDER COVER	Incl. 9 - 10	1	
9	525617004	SEALING		2	
10	544873801	LABEL		1	
11	503215330	SCREW ITXSCM		5	
12	525816901	LABEL	K1260	1	
12	525816902	LABEL	K1260 Rail	1	

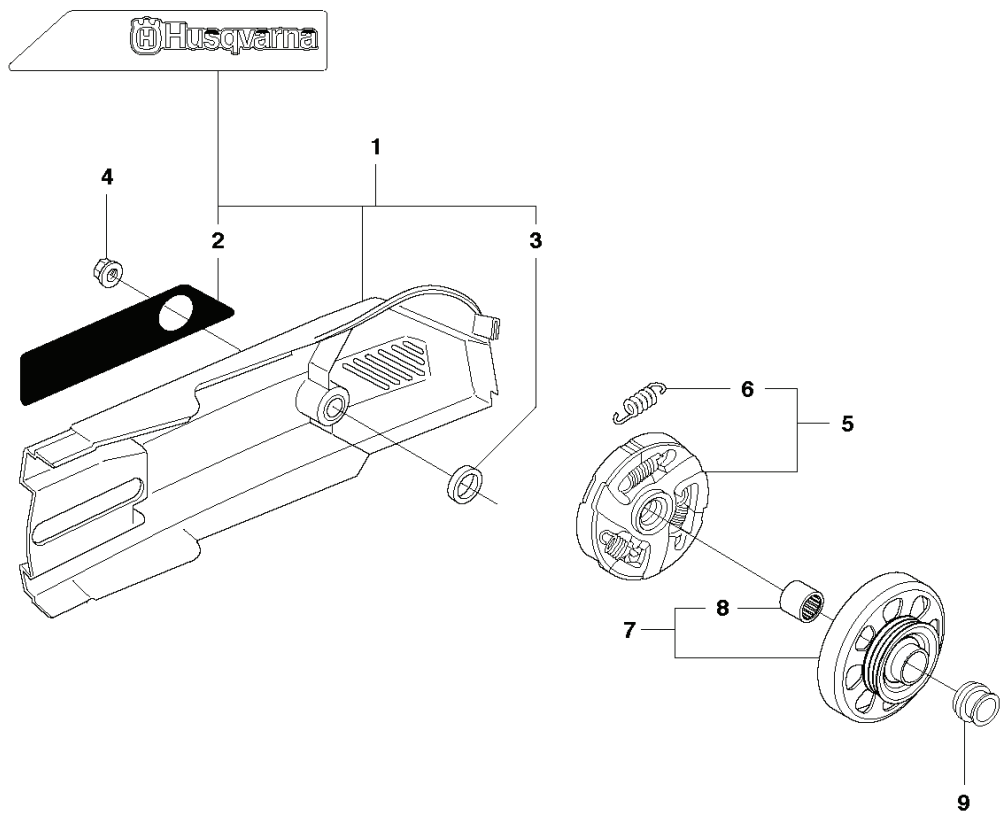


**R** K1260  
K1260 Rail



REF.	PART NO.	DESCRIPTION	REMARK	QTY.	KIT
20	535039401	CONNECTION		1	
19	506139601	SCREW EHHFM		1	
1	576665702	BEARING HOUSING ASSY	"14"" Rail Stop Switch, Incl. 2 - 11"	1	
2	506359104	STOP SWITCH	RH	1	
3	506359103	STOP SWITCH	LH	1	
4	729529171	SCREW CRPANT		2	
5	506359601	SPACING BLOCK		1	
6	501354301	CLIP		1	
7	506359001	WIRING		1	
8	732251201	HEXAGON LOCKING NUT		1	
9	724128759	SCREW CRPANM		1	
10	506358001	BRACKET		1	
11	576665701	BEARING HOUSING ASSY	"14"" Rail, Incl. 12 - 17"	1	
11	576665703	BEARING HOUSING ASSY	"16"" Rail, Incl. 12 - 17"	1	
11	576665704	BEARING HOUSING ASSY	"16"" Rail USA, Incl. 12 - 17"	1	
12	506227501	SLEEVE		2	
13	503200216	SCREW IHSCFM		2	
14	506288401	SCREEN		1	
15	583953301	BALL BEARING		2	
16	503215310	SCREW ITXSCM		2	
17	506298365	SHAFT	Incl. 18 - 19	1	
18	506139511	WASHER		1	

**C** K1260  
K1260 Rail



---

REF.	PART NO.	DESCRIPTION	REMARK	QTY.	KIT
1	506271703	BELT GUARD	Incl. 2, 3	1	
2	544873601	LABEL		1	
3	506268401	SPACING SLEEVE		1	
4	503220001	HEXAGON NUT		1	
5	503144901	CLUTCH ASSY	Incl. 6	1	
6	503145101	CLUTCH SPRING		3	
7	540052801	DRIVING PULLEY ASSY	"14". Incl. 8"	1	
7	540052803	DRIVE SPROCKET	Rail. "16". Incl. 8"	1	
	540052805	DRIVE SPROCKET	"16". Incl. 8"	1	
8	503253801	NEEDLE BEARING		1	
9	506285901	SPACING SLEEVE		1	