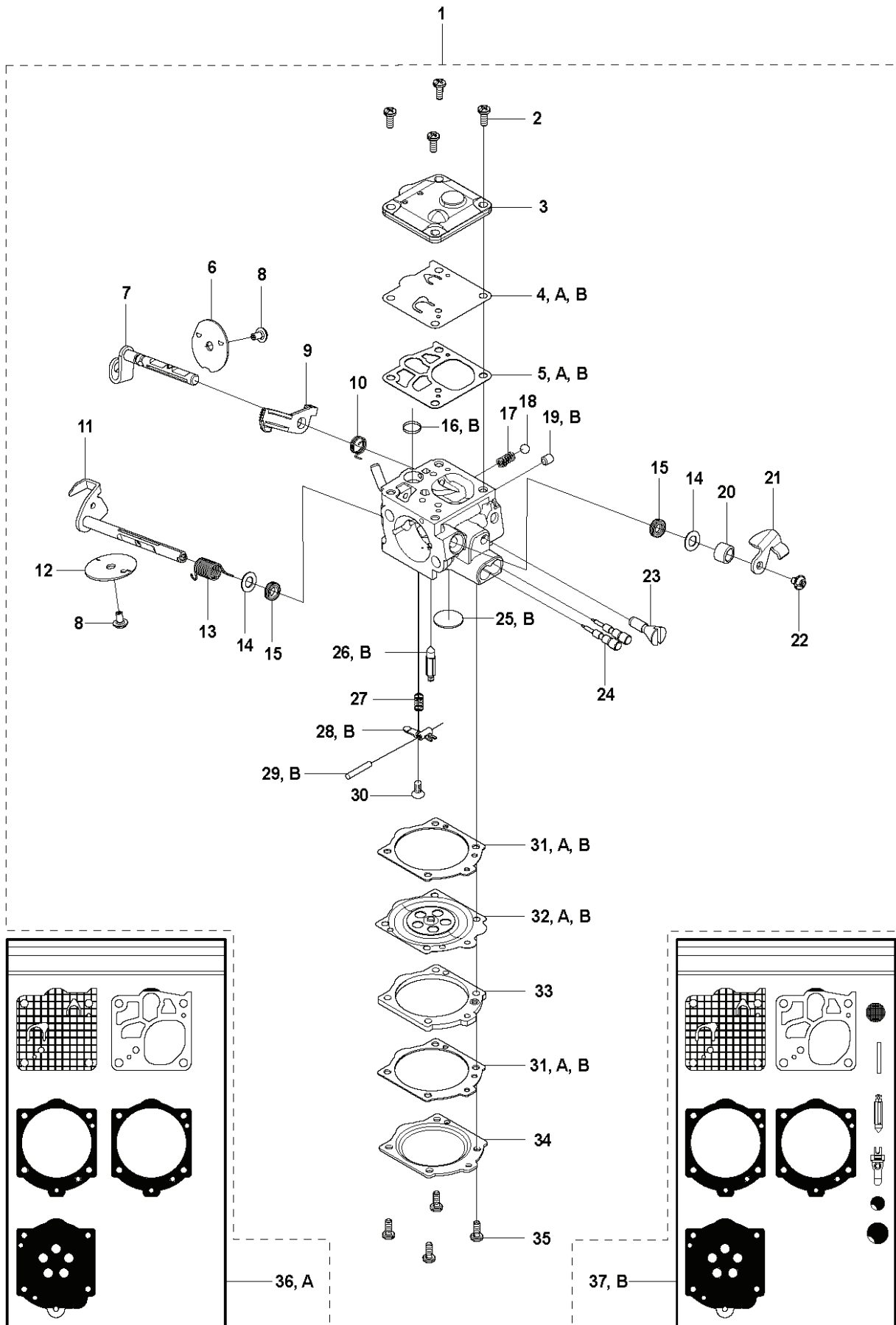


K960, 2008-12

---

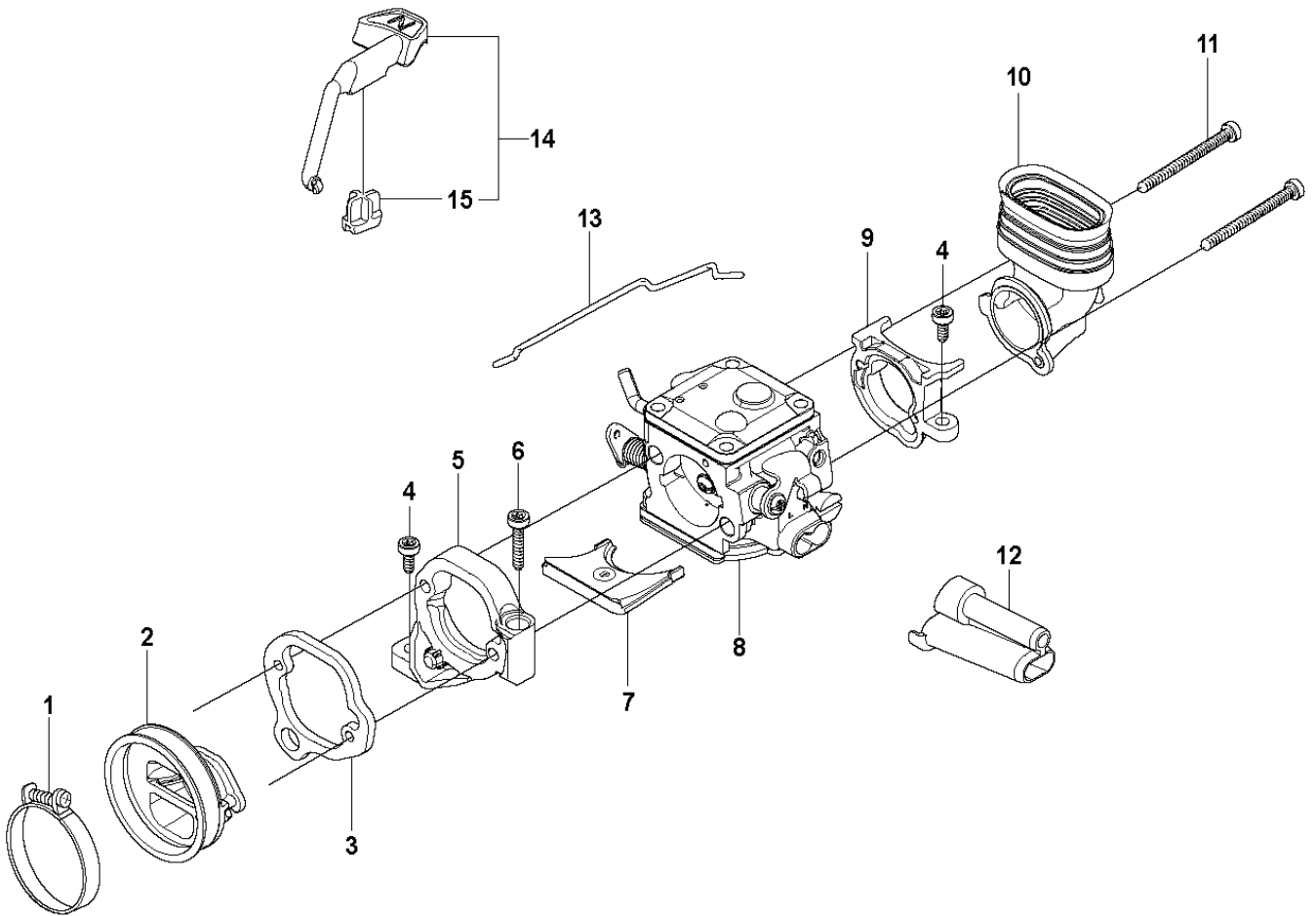
# **SPARE PARTS LIST**

**M** K960



| REF. | PART NO.  | DESCRIPTION         | REMARK                     | QTY. | KIT |
|------|-----------|---------------------|----------------------------|------|-----|
| 1    | 502623201 | CARBURETTOR         | Incl. 2 - 32, Walbro RWJ-3 | 1    |     |
| 2    | 503117501 | SCREW               |                            | 4    |     |
| 3    | 544896201 | PUMP COVER          |                            | 1    |     |
| 4    | 544897201 | DIAPHRAGM PUMP      | A, B                       | 1    |     |
| 5    | 503117201 | GASKET              | A, B                       | 1    |     |
| 6    | 504135201 | VALVE               |                            | 1    |     |
| 7    | 504835101 | SHAFT               |                            | 1    |     |
| 8    | 544111501 | SCREW               |                            | 2    |     |
| 9    | 504833101 | LEVER               |                            | 1    |     |
| 10   | 504835401 | SPRING              |                            | 1    |     |
| 11   | 504835001 | SHAFT               |                            | 1    |     |
| 12   | 504135301 | VALVE               |                            | 1    |     |
| 13   | 544956801 | SPRING              |                            | 1    |     |
| 14   | 505316748 | WASHER              |                            | 2    |     |
| 15   | 503564501 | SEAL                |                            | 2    |     |
| 16   | 501666101 | SCREEN              | B                          | 1    |     |
| 17   | 503117701 | SPRING              |                            | 1    |     |
| 18   | 503117101 | BALL                |                            | 1    |     |
| 19   | 530035157 | PLUG                | B                          | 1    |     |
| 20   | 537002601 | SPACER              |                            | 1    |     |
| 21   | 544896001 | LEVER               |                            | 1    |     |
| 22   | 501468701 | SCREW               |                            | 1    |     |
| 23   | 544897601 | SCREW               |                            | 1    |     |
| 24   | 504135801 | NEEDLE              |                            | 2    |     |
| 25   | 503574101 | PLUG                | B                          | 1    |     |
| 26   | 503632501 | VALVE -INLET NEEDLE | B                          | 1    |     |
| 27   | 503117601 | SPRING              |                            | 1    |     |
| 28   | 505316734 | LEVER               | B                          | 1    |     |
| 29   | 505316731 | PIN                 | B                          | 1    |     |
| 30   | 505316717 | SCREW               |                            | 1    |     |
| 31   | 544897101 | GASKET              | A, B                       | 2    |     |
| 32   | 544897401 | DIAPHRAGM ASSY      | A, B                       | 1    |     |
| 33   | 544897901 | PLATE               |                            | 1    |     |
| 34   | 544896301 | COVER               |                            | 1    |     |
| 35   | 537002001 | SCREW               |                            | 4    |     |
| 36   | 502445801 | GASKET KIT          | Kit A. D10-RWJ             | 1    |     |
| 37   | 502445901 | REPAIR KIT          | Kit B. K10-RWJ             | 1    |     |

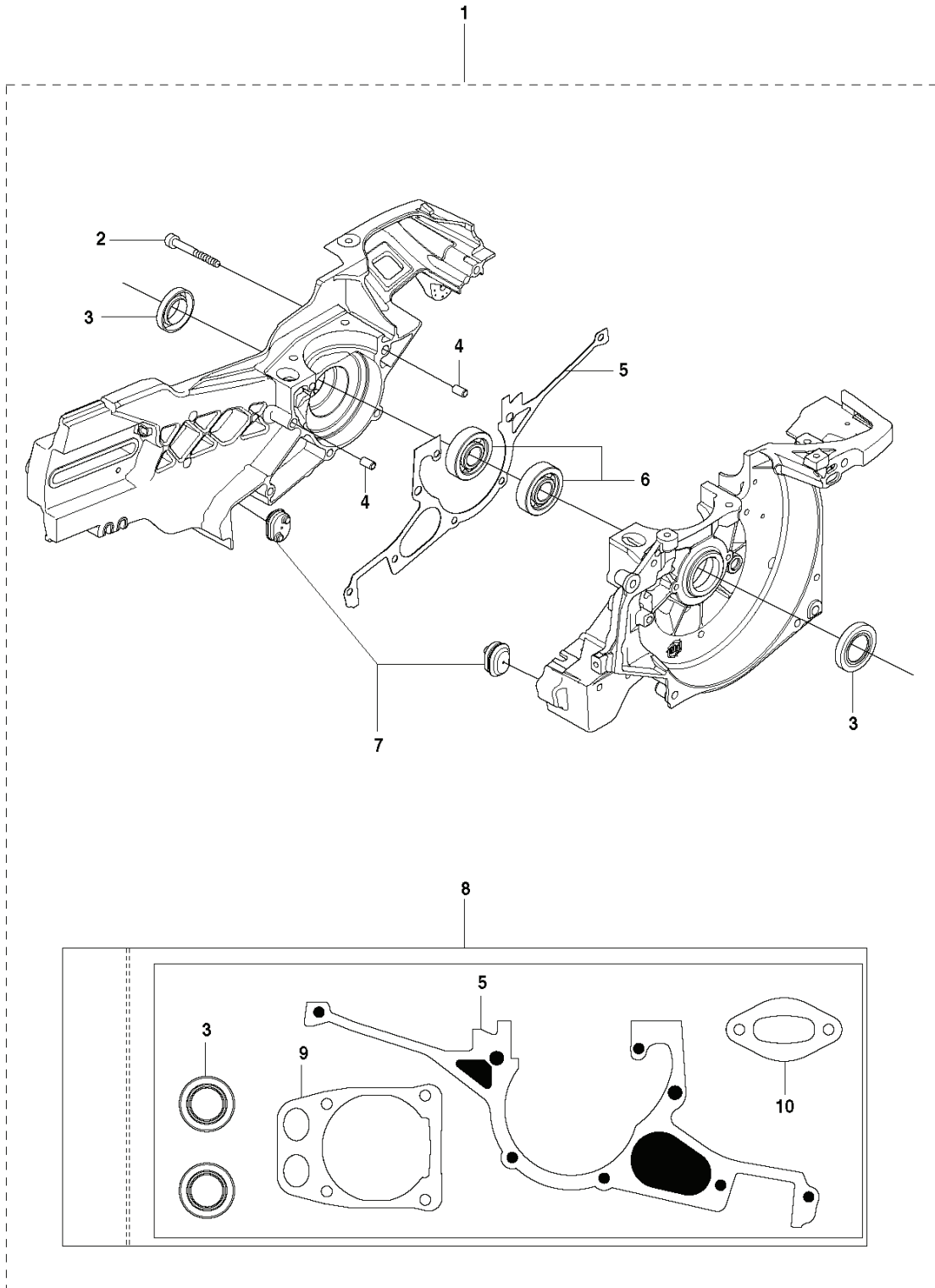
L K960



---

| REF. | PART NO.  | DESCRIPTION     | REMARK       | QTY. | KIT |
|------|-----------|-----------------|--------------|------|-----|
| 1    | 505283306 | HOSE CLAMP      |              | 1    |     |
| 2    | 506414101 | INLET PIPE      |              | 1    |     |
| 3    | 544150101 | FLANGE          |              | 1    |     |
| 4    | 503215316 | SCREW ITXSCM    |              | 2    |     |
| 5    | 544113901 | CONSOLE         |              | 1    |     |
| 6    | 503215330 | SCREW ITXSCM    |              | 1    |     |
| 7    | 506414201 | PLATE           |              | 1    |     |
| 8    | 502623201 | CARBURETTOR     | Walbro RWJ-3 | 1    |     |
| 9    | 544111701 | FLANGE          |              | 1    |     |
| 10   | 544331901 | INLET BEND      |              | 1    |     |
| 11   | 501971801 | SCREW ITXSCM    |              | 2    |     |
| 12   | 544232601 | CHISEL GUIDE    |              | 1    |     |
| 13   | 505443101 | THROTTLE ROD    |              | 1    |     |
| 14   | 506232011 | CHOKE           | Incl. 15     | 1    |     |
| 15   | 506272501 | WEAR PROTECTION |              | 1    |     |

**D** K960

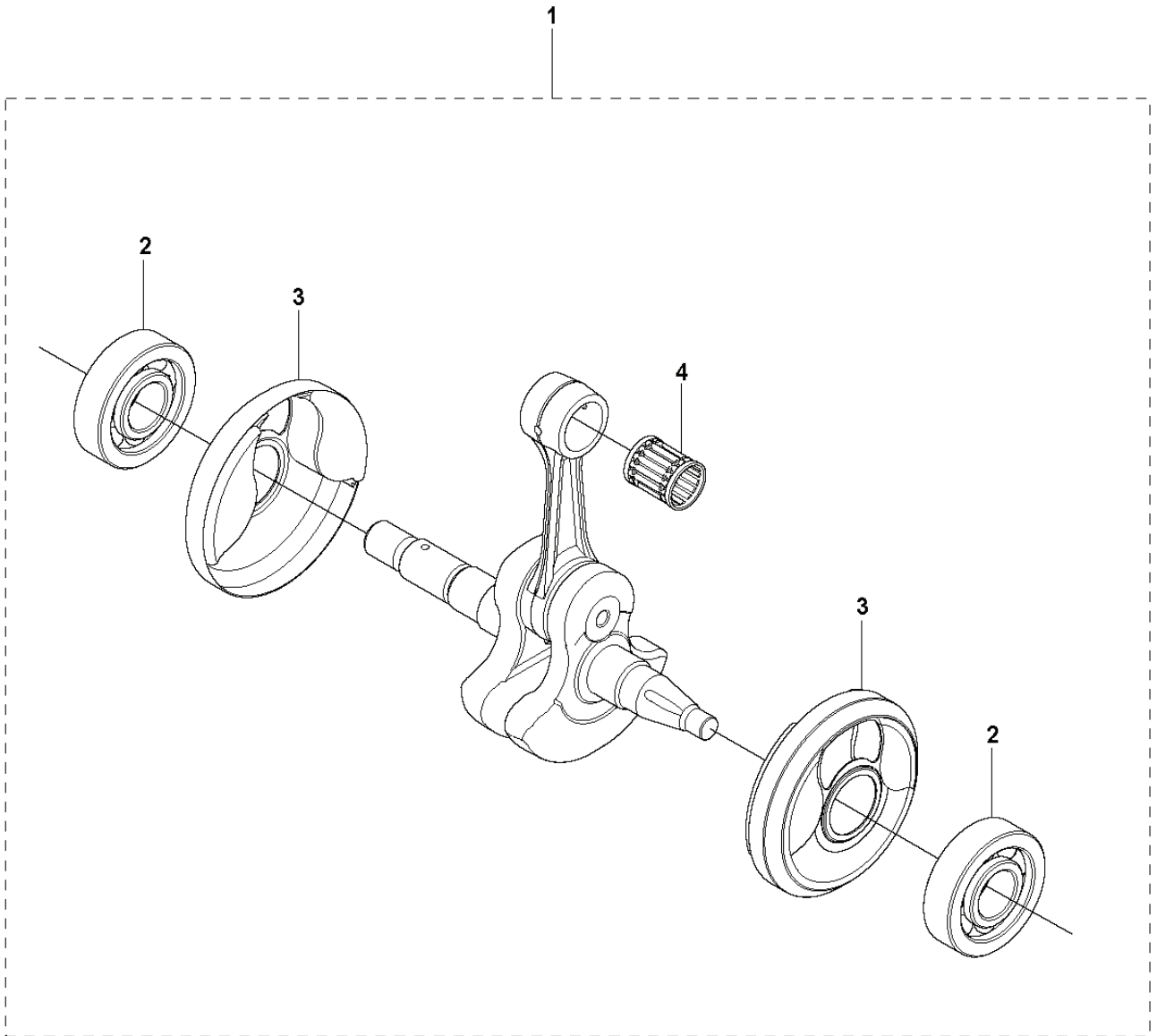


---

| REF. | PART NO.  | DESCRIPTION    | REMARK            | QTY. | KIT |
|------|-----------|----------------|-------------------|------|-----|
| 1    | 586363907 | CRANKCASE ASSY | Incl. 2 - 8       | 1    |     |
| 2    | 503215349 | SCREW ITXSCM   |                   | 7    |     |
| 3    | 503260204 | SEALING RING   |                   | 2    |     |
| 4    | 501270801 | GUIDE BUSHING  |                   | 2    |     |
| 5    | 506413902 | GASKET         |                   | 1    |     |
| 6    | 503250002 | BALL BEARING   |                   | 2    |     |
| 7    | 544895401 | RUBBER BUSHING |                   | 2    |     |
| 8    | 544229802 | GASKET KIT     | Incl. 3, 5, 9, 10 | 1    |     |
| 9    | 506414001 | GASKET         |                   | 1    |     |
| 10   | 506378101 | GASKET         |                   | 1    |     |



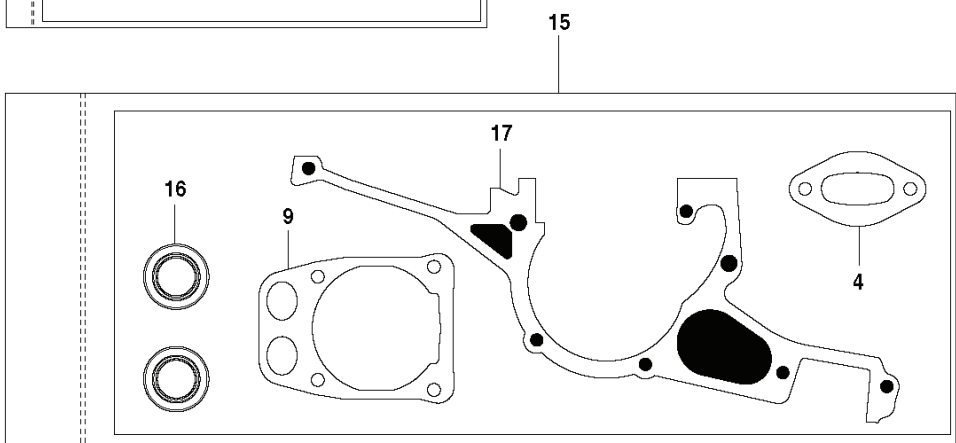
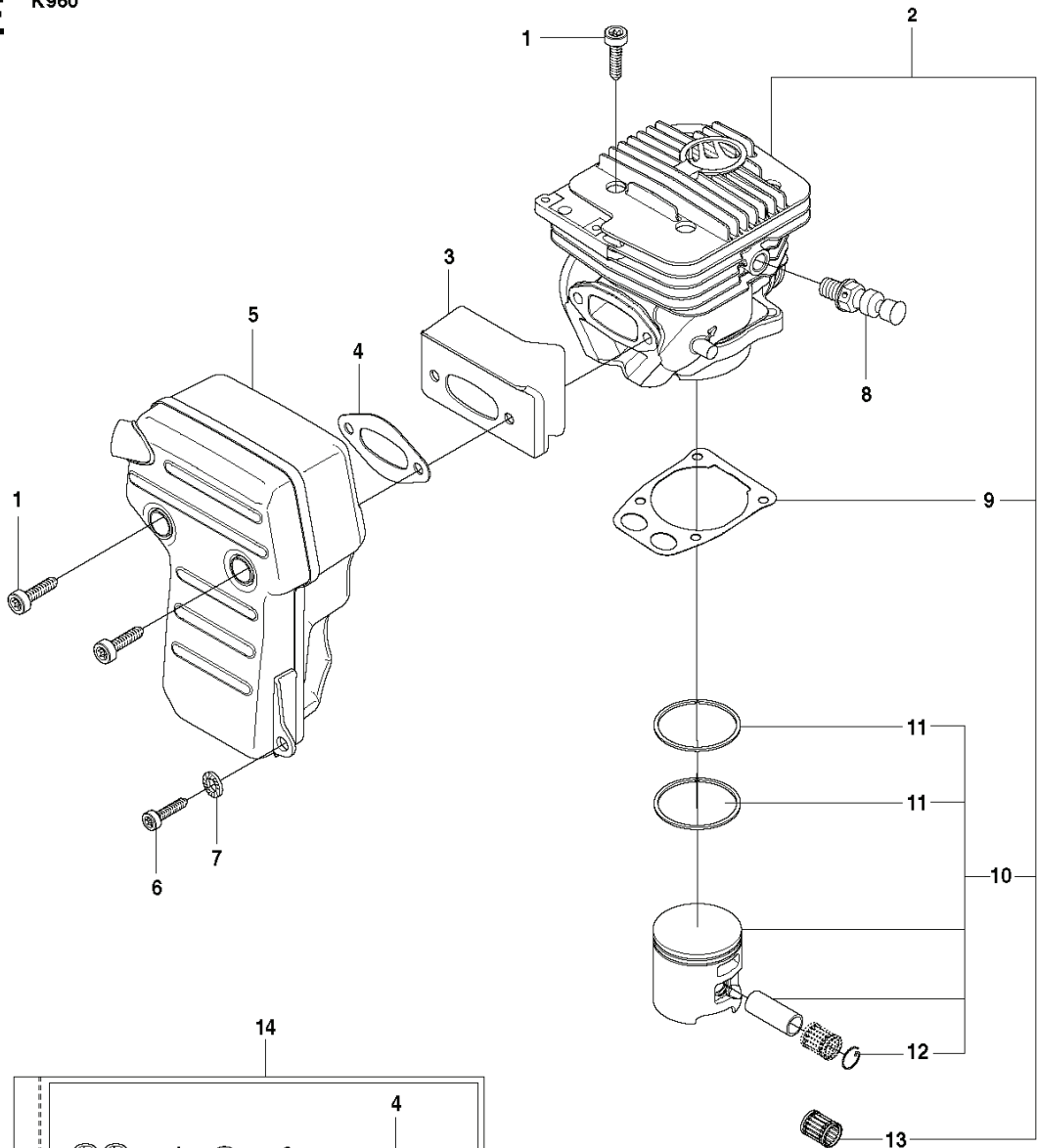
**F** K960



---

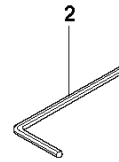
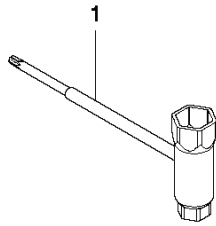
| REF. | PART NO.  | DESCRIPTION     | REMARK      | QTY. | KIT |
|------|-----------|-----------------|-------------|------|-----|
| 1    | 544983901 | CRANKSHAFT ASSY | Incl. 2 - 4 | 1    |     |
| 2    | 503250002 | BALL BEARING    |             | 2    |     |
| 3    | 506414401 | CUP             |             | 2    |     |
| 4    | 503256101 | NEEDLE BEARING  |             | 1    |     |

**E** K960

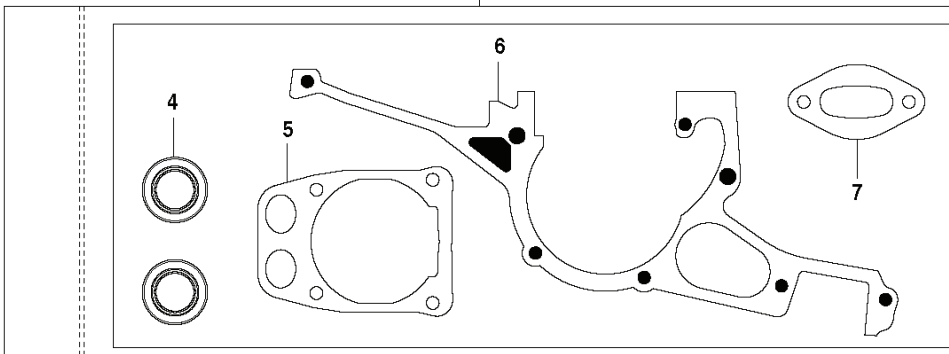


| REF. | PART NO.  | DESCRIPTION         | REMARK             | QTY. | KIT |
|------|-----------|---------------------|--------------------|------|-----|
| 1    | 544218401 | SCREW ITXSCM        |                    | 6    |     |
| 2    | 544935605 | CYLINDER ASSY       | Incl. 9, 10, 13    | 1    |     |
| 3    | 577997602 | HEAT DEFLECTOR      |                    | 1    |     |
| 4    | 506378101 | GASKET              |                    | 1    |     |
| 5    | 506372801 | MUFFLER ASSY        |                    | 1    |     |
| 6    | 503215325 | SCREW ITXSCM        |                    | 1    |     |
| 7    | 503230402 | WASHER              |                    | 1    |     |
| 8    | 503665601 | DECOMPRESSION VALVE |                    | 1    |     |
| 9    | 506414001 | GASKET              |                    | 1    |     |
| 10   | 506413202 | PISTON              | Incl. 11, 12       | 1    |     |
| 11   | 503289035 | PISTON RING         |                    | 2    |     |
| 12   | 737441300 | CIRCLIP             |                    | 2    |     |
| 13   | 503256101 | NEEDLE BEARING      |                    | 1    |     |
| 14   | 505259603 | GASKET KIT          | Incl. 1, 4, 6, 7   | 1    |     |
| 15   | 544229802 | GASKET KIT          | Incl. 4, 9, 16, 17 | 1    |     |
| 16   | 503260205 | SEALING RING        |                    | 2    |     |
| 17   | 506413902 | GASKET              |                    | 1    |     |

**N** K960



3



---

| REF. | PART NO.  | DESCRIPTION  | REMARK       | QTY. | KIT |
|------|-----------|--------------|--------------|------|-----|
| 1    | 506382601 | TOOL         | Torx 27      | 1    |     |
| 2    | 502215801 | WRENCH       | 4 mm         | 1    |     |
| 3    | 544229802 | GASKET KIT   | Incl. 9 - 12 | 1    |     |
| 4    | 503260204 | SEALING RING |              | 2    |     |
| 5    | 506414001 | GASKET       |              | 1    |     |
| 6    | 506413902 | GASKET       |              | 1    |     |
| 7    | 506378101 | GASKET       |              | 1    |     |

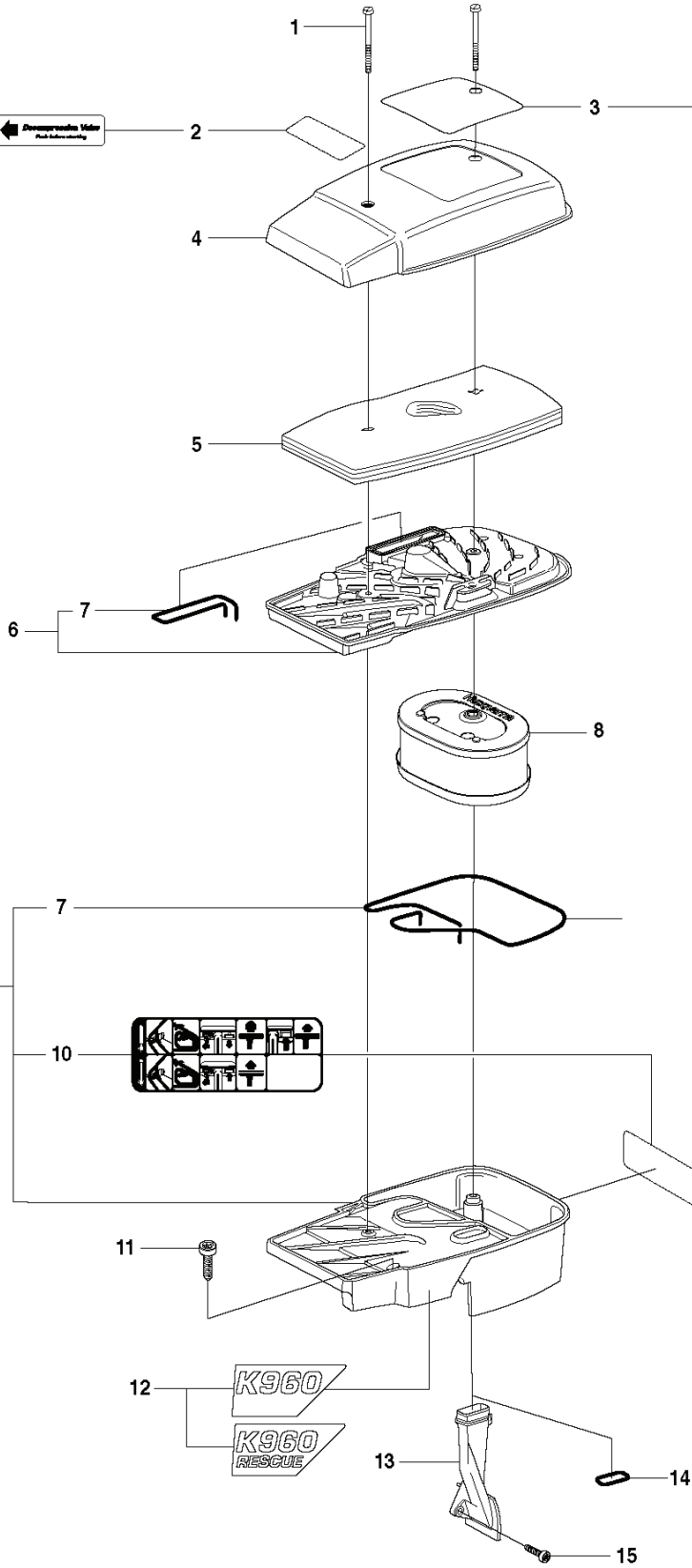


| REF. | PART NO.  | DESCRIPTION    | REMARK                | QTY. | KIT |
|------|-----------|----------------|-----------------------|------|-----|
| 1    | 506266401 | SCREEN         |                       | 1    |     |
| 2    | 506266302 | LINING         |                       | 1    |     |
| 3    | 506266501 | FLANGE         |                       | 1    |     |
| 4    | 505574116 | SCREW ITXSCM   |                       | 3    |     |
| 5    | 506324801 | SUPPORT FLANGE |                       | 1    |     |
| 6    | 506028701 | FLANGE WASHER  | Diam 105              | 1    |     |
| 6    | 506070901 | FLANGE WASHER  | Diam 116              | 1    |     |
| 7    | 506379620 | KIT            | Diam 20               | 1    |     |
| 7    | 506379622 | BUSHING        | Diam 22,2             | 1    |     |
| 7    | 506379625 | KIT            | Diam 25               | 1    |     |
| 7    | 506028830 | BUSHING        | Diam 30,5             | 1    |     |
| 8    | 503215320 | SCREW ITXSCM   |                       | 1    |     |
| 9    | 506344602 | HANDLE         |                       | 1    |     |
| 10   | 506340542 | BLADE GUARD    | "12". Incl. 2. 9. 10" | 1    |     |
| 10   | 506340544 | BLADE GUARD    | "14". Incl. 2. 9. 10" | 1    |     |
| 10   | 506340546 | BLADE GUARD    | "16". Incl. 2. 9. 10" | 1    |     |
| 11   | 506284104 | LABEL          | "12". Diam 1""        | 1    |     |
| 11   | 506284102 | LABEL          | "12". Diam 20 mm"     | 1    |     |
| 11   | 506284114 | LABEL          | "14". Diam 1""        | 1    |     |
| 11   | 506284112 | LABEL          | "14". Diam 20 mm"     | 1    |     |
| 11   | 506284124 | LABEL          | "16". Diam 1""        | 1    |     |
| 11   | 506284122 | LABEL          | "16". Diam 20 mm"     | 1    |     |
| 12   | 506243435 | DECAL          | Japan                 | 1    |     |
| 13   | 506243525 | LABEL          | Japan                 | 1    |     |



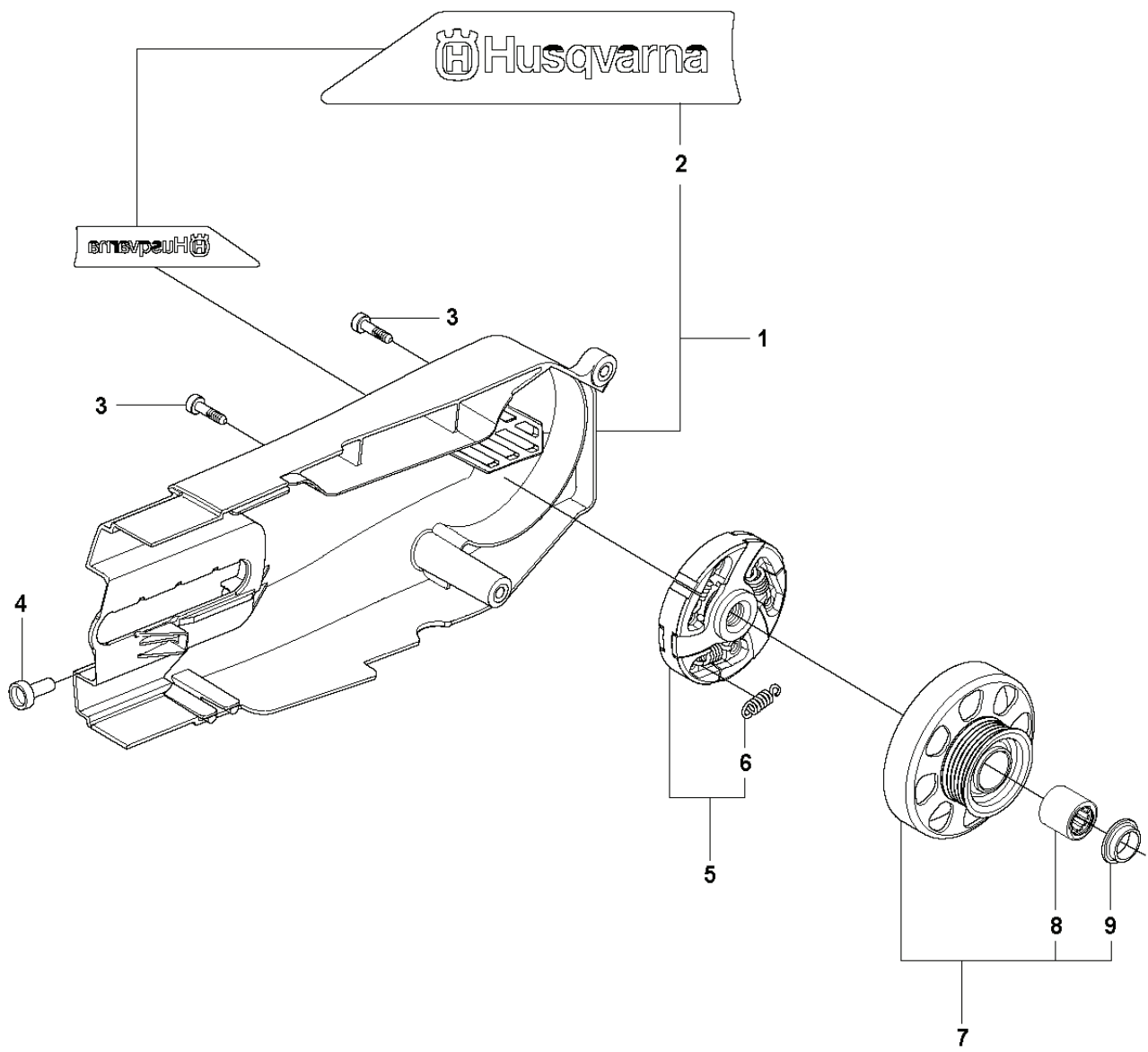
**K** K960

← **Dommerende Veder**  
Push-Release-Button



| REF. | PART NO.  | DESCRIPTION         | REMARK      | QTY. | KIT |
|------|-----------|---------------------|-------------|------|-----|
| 1    | 503215345 | SCREW ITXSCM        |             | 2    |     |
| 2    | 544874601 | LABEL               |             | 1    |     |
| 3    | 505038901 | LABEL               | EPA USA     | 1    |     |
| 3    | 505038902 | LABEL               |             | 1    |     |
| 4    | 506221702 | COVER               |             | 1    |     |
| 5    | 506231901 | PREFILTER           |             | 1    |     |
| 6    | 506221815 | FILTER BOTTOM       | Incl. 7     | 1    |     |
| 7    | 506283930 | SEALING             |             | 2    |     |
| 8    | 506347002 | AIR FILTER          |             | 1    |     |
| 9    | 544891402 | CYLINDER COVER ASSY | Incl. 7, 10 | 1    |     |
| 10   | 506243902 | LABEL               |             | 1    |     |
| 11   | 503215330 | SCREW ITXSCM        |             | 3    |     |
| 12   | 544890709 | LABEL               |             | 1    |     |
| 12   | 544890710 | LABEL               | Rescue      | 1    |     |
| 13   | 506229401 | AIR NOZZLE          |             | 1    |     |
| 14   | 740482003 | O-RING              |             | 1    |     |
| 15   | 501981001 | SCREW ITXSCM        |             | 1    |     |

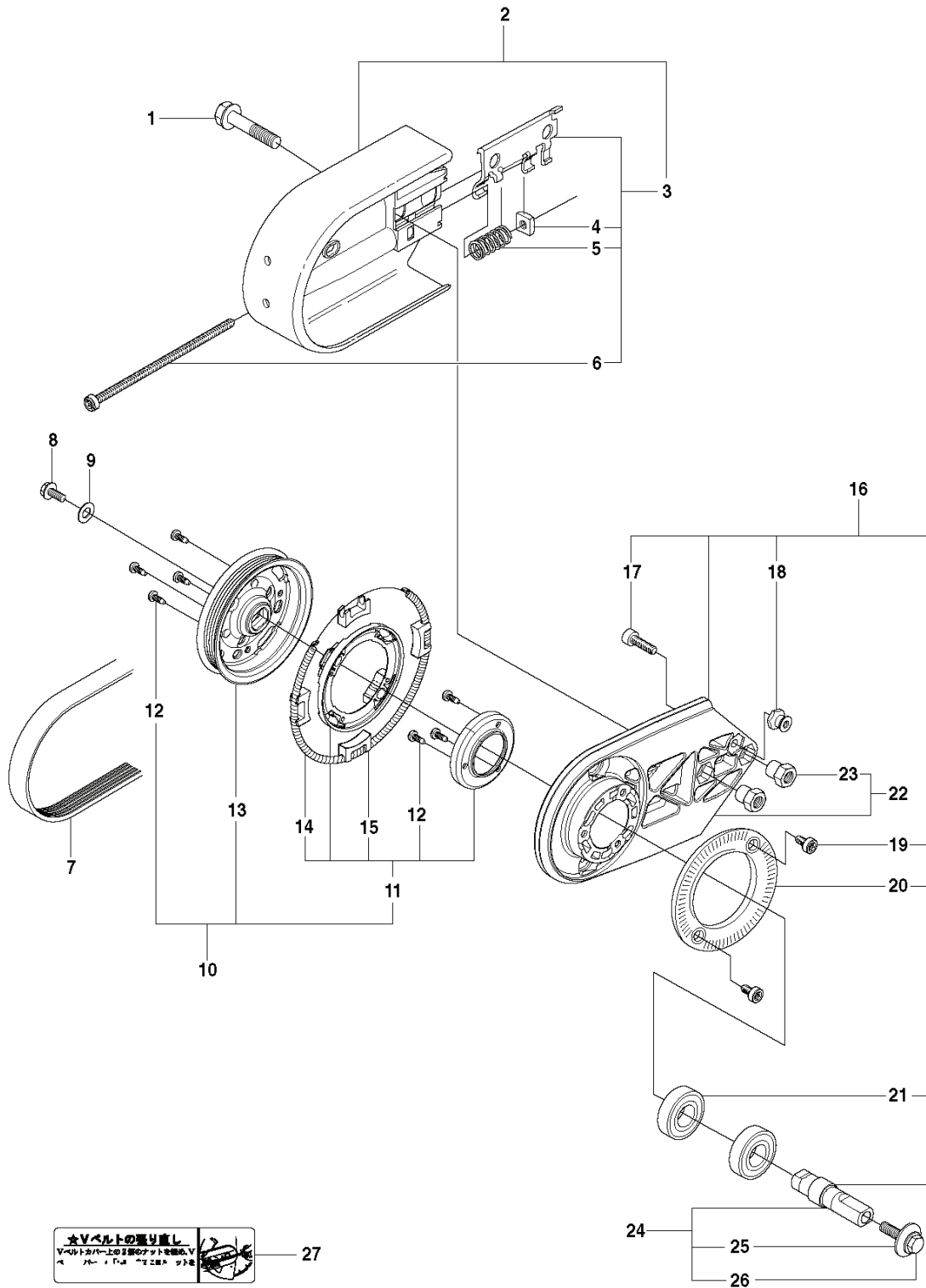
C K960



---

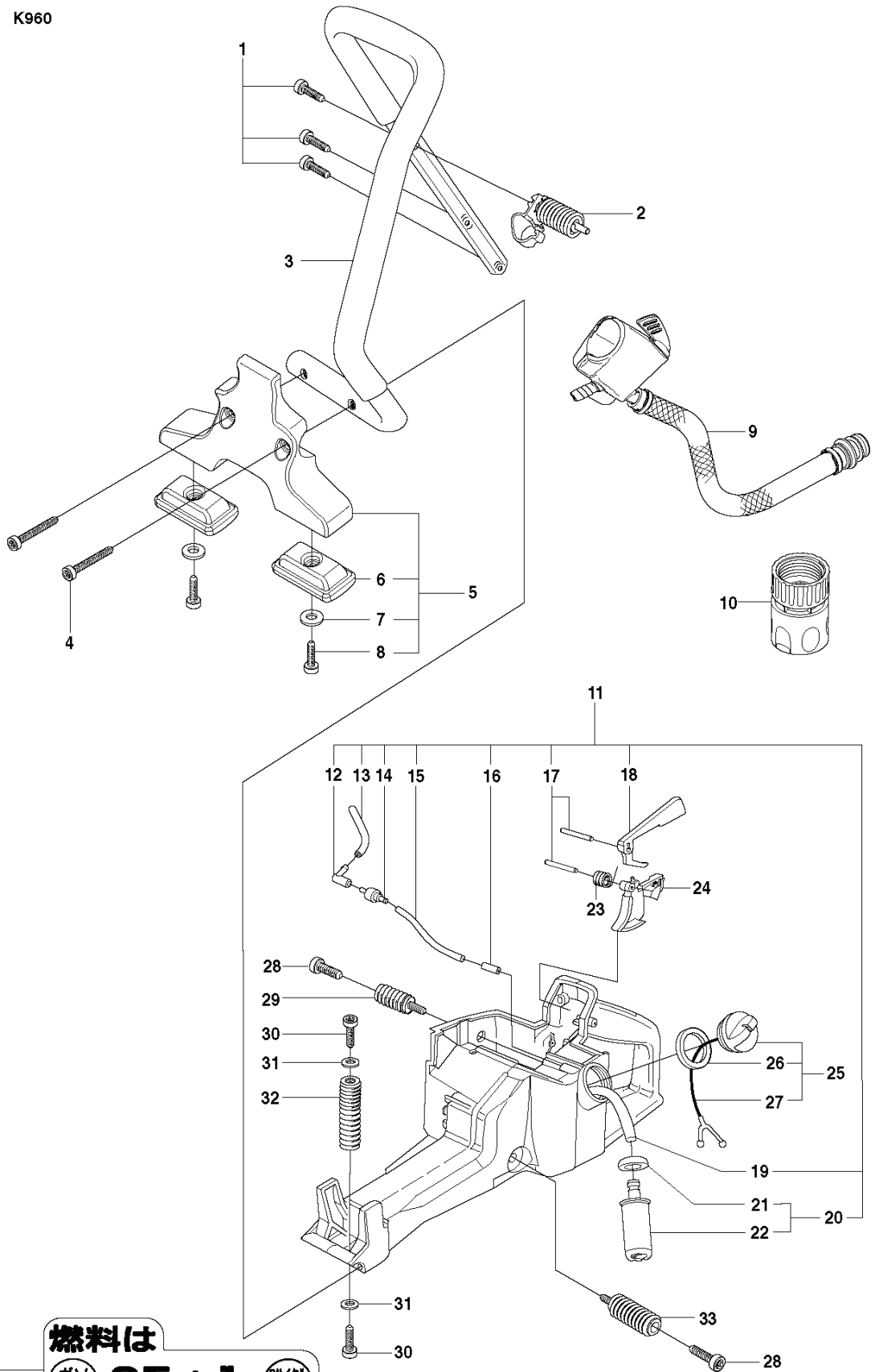
| REF. | PART NO.  | DESCRIPTION         | REMARK                 | QTY. | KIT |
|------|-----------|---------------------|------------------------|------|-----|
| 1    | 510213401 | BELT GUARD ASSY     | Incl. 2                | 1    |     |
| 2    | 544933101 | LABEL               |                        | 1    |     |
| 3    | 503215321 | SCREW ITXSCM        |                        | 2    |     |
| 4    | 544366401 | LINING              |                        | 1    |     |
| 5    | 503701501 | CLUTCH ASSY         | Incl. 6                | 1    |     |
| 6    | 588421501 | CLUTCH SPRING       |                        | 3    |     |
| 7    | 506378303 | DRIVING PULLEY ASSY | "12", 14", Incl. 8, 9" | 1    |     |
| 7    | 544376601 | DRIVING PULLEY ASSY | "16", Incl. 8, 9"      | 1    |     |
| 8    | 505302415 | NEEDLE BEARING      |                        | 1    |     |
| 9    | 506393001 | WASHER              |                        | 1    |     |

**A** K960



| REF. | PART NO.  | DESCRIPTION         | REMARK           | QTY. | KIT |
|------|-----------|---------------------|------------------|------|-----|
| 1    | 506284401 | SCREW EHHFM         |                  | 2    |     |
| 2    | 506393602 | BELT GUARD          | Incl. 3          | 1    |     |
| 3    | 506266604 | BELT TENSIONER ASSY | Incl. 4, 5, 6    | 1    |     |
| 4    | 506409301 | NUT                 |                  | 1    |     |
| 5    | 506266801 | COMPRESSION SPRING  |                  | 1    |     |
| 6    | 503207205 | SCREW CITXSCM       |                  | 1    |     |
| 7    | 544908403 | BELT                | "12", "14"       | 1    |     |
| 7    | 544908404 | BELT                | "16"             | 1    |     |
| 8    | 503200045 | SCREW EHHFM         |                  | 1    |     |
| 9    | 503230116 | WASHER              |                  | 1    |     |
| 10   | 504037007 | PULLEY              | Incl. 11, 12, 13 | 1    |     |
| 11   | 505445403 | CASSETTE            | Incl. 12, 14, 15 | 1    |     |
| 12   | 503212810 | SCREW CCRPANT       |                  | 7    |     |
| 13   | 504062201 | PULLEY              |                  | 1    |     |
| 14   | 544441001 | DRAW SPRING         |                  | 1    |     |
| 15   | 544440402 | BRAKE SHOE          |                  | 4    |     |
| 16   | 506394208 | BEARING HOUSING     | Incl. 17 - 21    | 1    |     |
| 17   | 505574116 | SCREW ITXSCM        |                  | 1    |     |
| 18   | 506143201 | NUT CAP             |                  | 1    |     |
| 19   | 503215310 | SCREW ITXSCM        |                  | 2    |     |
| 20   | 506288401 | SCREEN              |                  | 1    |     |
| 21   | 503252101 | BALL BEARING        |                  | 2    |     |
| 22   | 506394206 | BEARING HOUSING     | Incl. 23         | 1    |     |
| 23   | 506287301 | NUT                 |                  | 2    |     |
| 24   | 506298365 | SHAFT               | Incl. 25, 26     | 1    |     |
| 25   | 506139511 | WASHER              |                  | 1    |     |
| 26   | 581855201 | SCREW               |                  | 1    |     |
| 27   | 506309705 | LABEL               | Japan            | 1    |     |

G K960



燃料は

ガソリン

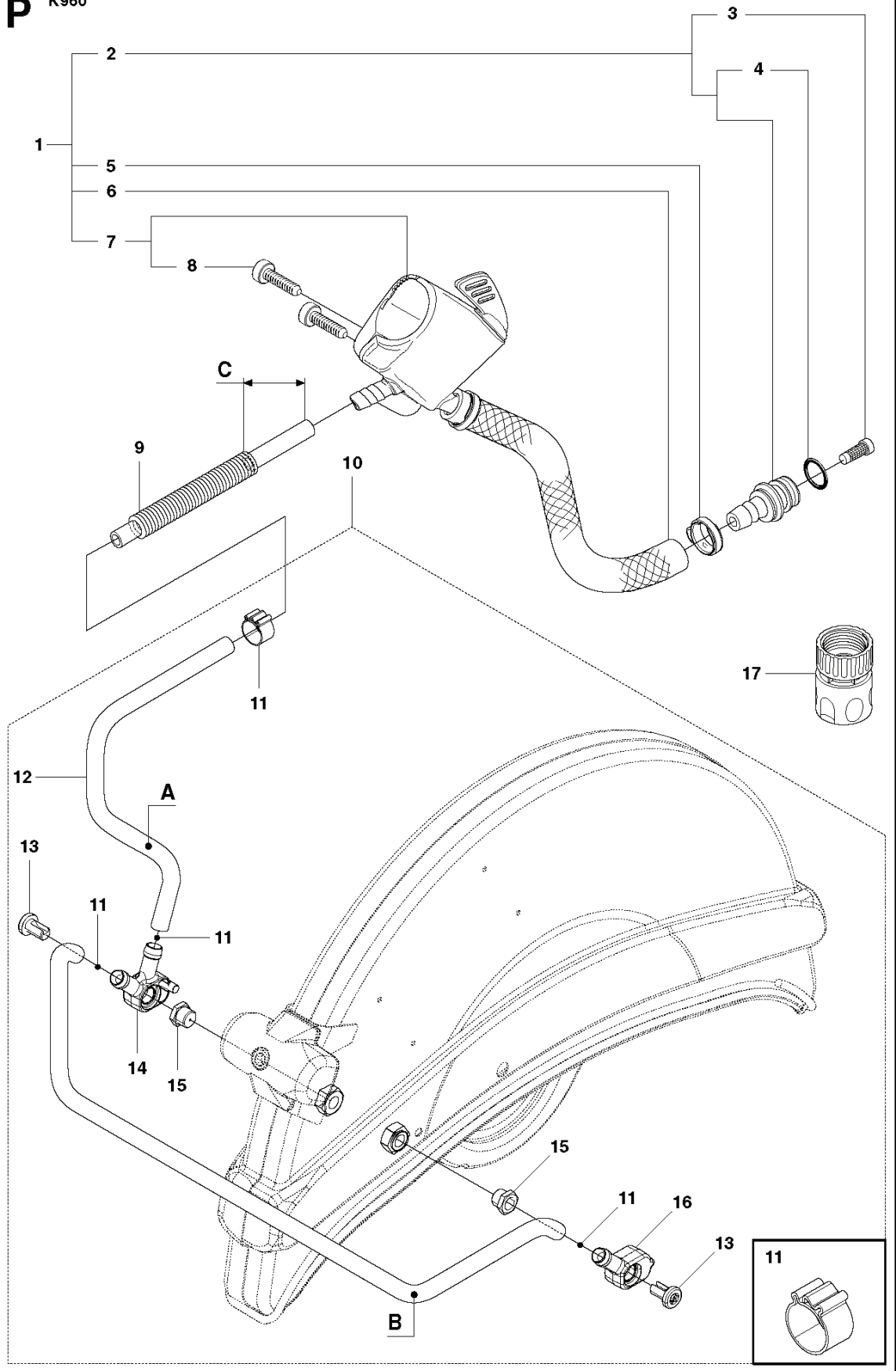
25 : 1

2サイクル  
専用オイル

| REF. | PART NO.  | DESCRIPTION           | REMARK       | QTY. | KIT |
|------|-----------|-----------------------|--------------|------|-----|
| 1    | 503215420 | SCREW ITXSCT          |              | 3    |     |
| 2    | 506389103 | ANTIVIBRATION ELEMENT |              | 1    |     |
| 3    | 544456801 | HANDLE                |              | 1    |     |
| 4    | 503215445 | SCREW ITXSCT          |              | 2    |     |
| 5    | 544891501 | GROUND SUPPORT        | 08-jun       | 1    |     |
| 6    | 544811601 | BASE                  |              | 2    |     |
| 7    | 734114741 | WASHER                |              | 2    |     |
| 8    | 503215312 | SCREW ITXSCM          |              | 2    |     |
| 9    | 506384904 | TBD                   |              | 1    |     |
| 10   | 503266003 | COUPLER               | USA          | 1    |     |
| 10   | 503266004 | COUPLER               |              | 1    |     |
| 11   | 544892006 | FUEL TANK             | 12-20,       | 1    |     |
| 12   | 503454601 | CONNECTION BEND       |              | 1    |     |
| 13   | 544324906 | FUEL HOSE             |              | 1    |     |
| 14   | 506236101 | TANK VENT             |              | 1    |     |
| 15   | 544324932 | FUEL HOSE             |              | 1    |     |
| 16   | 506289501 | NIPPLE                |              | 1    |     |
| 17   | 720124020 | PARALLEL PIN          |              | 2    |     |
| 18   | 506222802 | THROTTLE LOCKOUT      |              | 1    |     |
| 19   | 544325002 | FUEL HOSE             |              | 1    |     |
| 20   | 506264111 | FUEL FILTER           | 21,22        | 1    |     |
| 21   | 506271101 | HOSE CLAMP            |              | 1    |     |
| 22   | 506264101 | FUEL FILTER           |              | 1    |     |
| 23   | 506222901 | SPRING THROTTLE TRIG  |              | 1    |     |
| 24   | 506222703 | TRIGGER               |              | 1    |     |
| 25   | 506255903 | TANK CAP ASSY         | Incl. 26, 27 | 1    |     |
| 26   | 506292101 | GASKET                |              | 1    |     |
| 27   | 503578901 | HOLDER                |              | 1    |     |
| 28   | 544061201 | SCREW ITXSCM          |              | 2    |     |
| 29   | 537210309 | ANTIVIBRATION ELEMENT |              | 1    |     |
| 30   | 503215316 | SCREW ITXSCM          |              | 2    |     |
| 31   | 503230011 | WASHER                |              | 2    |     |
| 32   | 503468501 | ANTIVIBRATION ELEMENT |              | 1    |     |
| 33   | 544383102 | SPRING                |              | 1    |     |
| 34   | 506313001 | LABEL                 | Japan        | 1    |     |

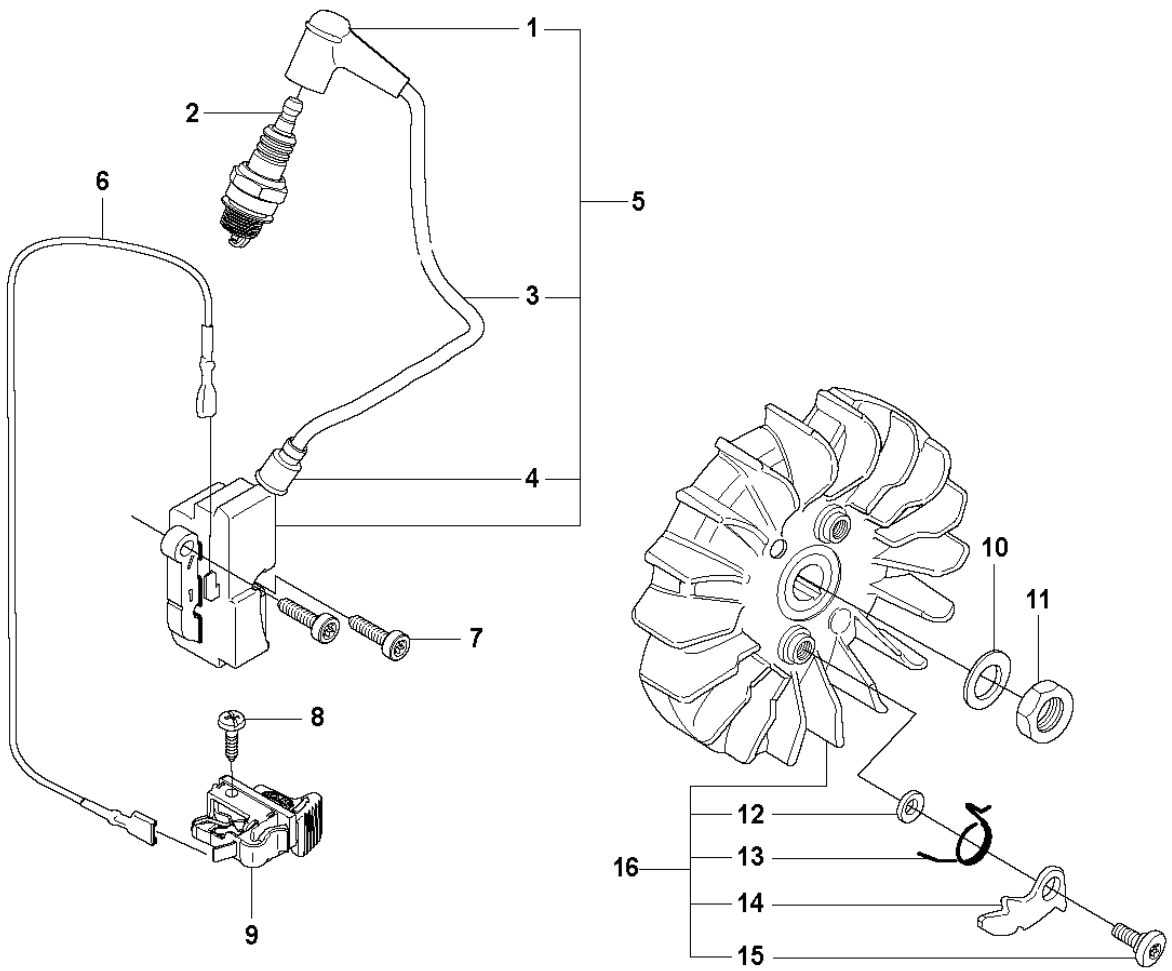


**P** K960



| REF. | PART NO.  | DESCRIPTION       | REMARK     | QTY. | KIT |
|------|-----------|-------------------|------------|------|-----|
| 1    | 505095501 | HOSE KIT          | 2, 5-7     | 1    |     |
| 2    | 506295702 | NIPPLE            | Incl. 3, 4 | 1    |     |
| 3    | 506298801 | FILTER            |            | 1    |     |
| 4    | 505103501 | O-RING            |            | 1    |     |
| 5    | 506498702 | HOSE CLAMP        |            | 1    |     |
| 6    | 506607501 | HOSE              |            | 1    |     |
| 7    | 506386012 | VALVE ASSY        | 8          | 1    |     |
| 8    | 503215420 | SCREW ITX SCT     |            | 2    |     |
| 9    | 506352701 | PROTECTIVE SPRING |            | 1    |     |
| 10   | 505095401 | HOSE KIT          |            | 1    |     |
| 11   | 506498701 | HOSE CLAMP        |            | 4    |     |
| 12   | 506606806 | HOSE              | 620 mm     | 1    |     |
| 13   | 504634601 | SCREW ITXSCM      |            | 2    |     |
| 14   | 504634401 | HOUSING           |            | 1    |     |
| 15   | 504634201 | NIPPLE            |            | 2    |     |
| 16   | 504634501 | HOUSING           |            | 1    |     |
| 17   | 503266003 | COUPLER           | USA        | 1    |     |
| 17   | 503266004 | COUPLER           |            | 1    |     |

**J** K960

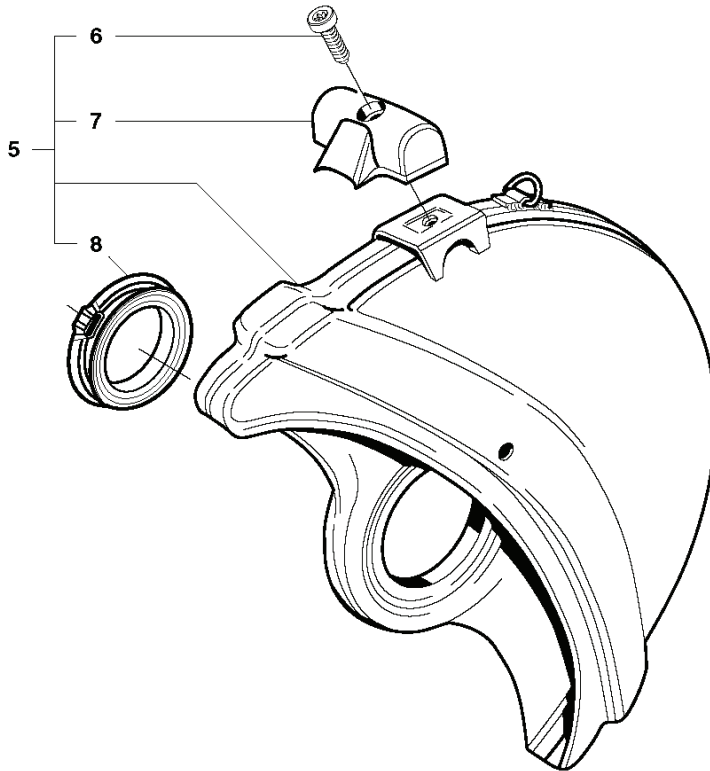
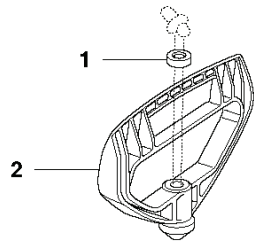


| REF. | PART NO.  | DESCRIPTION     | REMARK        | QTY. | KIT |
|------|-----------|-----------------|---------------|------|-----|
| 1    | 501485402 | SPARK PLUG CAP  |               | 1    |     |
| 2    | 503235111 | SPARK PLUG      | RCJ6Y         | 1    |     |
| 3    | 506387834 | IGNITION CABLE  |               | 1    |     |
| 4    | 505277516 | CABLE SLEEVE    |               | 1    |     |
| 5    | 510115603 | IGNITION MODULE | Incl. 1, 3, 4 | 1    |     |
| 6    | 501839801 | CABLE           |               | 1    |     |
| 7    | 503215320 | SCREW ITXSCM    |               | 2    |     |
| 8    | 503212806 | SCREW CCRPANT   |               | 1    |     |
| 9    | 506318602 | STOP SWITCH     |               | 1    |     |
| 10   | 503230101 | WASHER          |               | 1    |     |
| 11   | 503221011 | HEXAGON NUT     |               | 1    |     |
| 12   | 503230042 | WASHER          |               | 2    |     |
| 13   | 501634801 | SPRING          |               | 2    |     |
| 14   | 501673203 | PAWL            |               | 2    |     |
| 15   | 506006901 | SCREW           |               | 2    |     |
| 16   | 501375604 | FLYWHEEL        | Incl. 12 - 15 | 1    |     |

**Q** K960

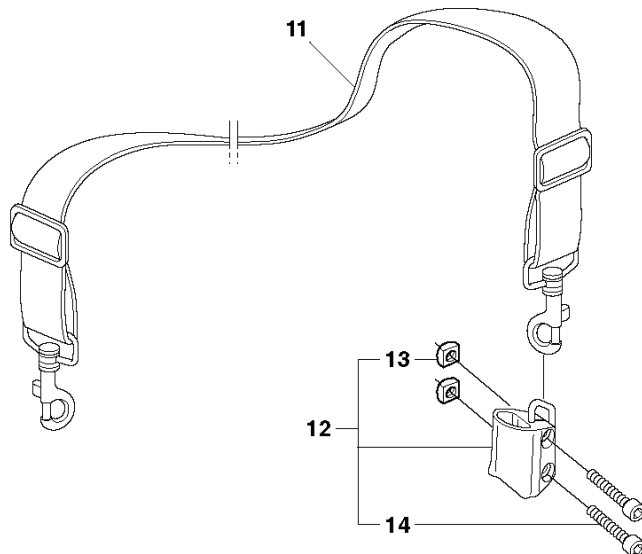
**K12 FD  
FIRE-RESCUE**

**Rescue**



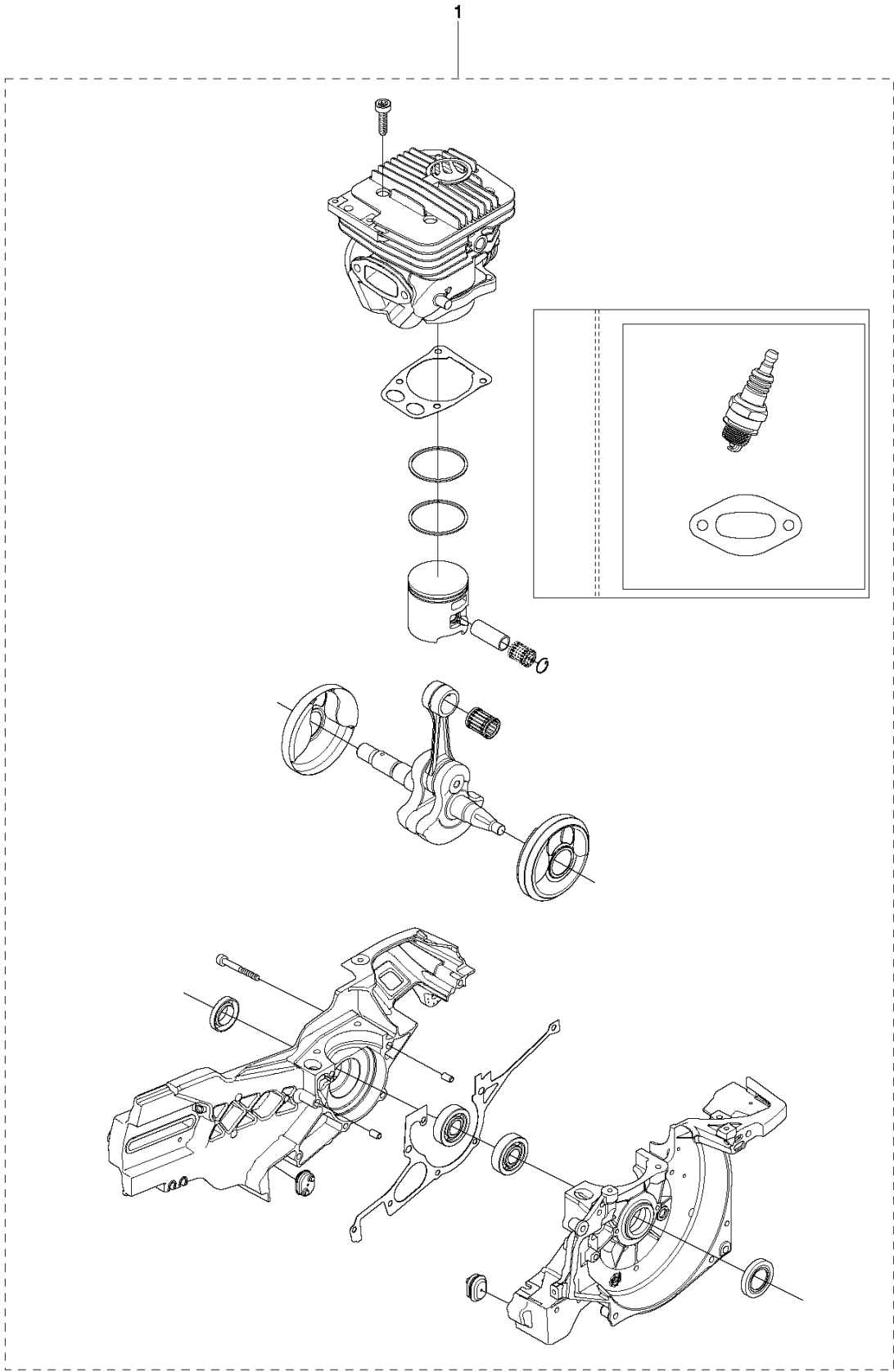
9 — Husqvarna Rescue  
max. 6"100 rpm  
ANSI 4 PFF-1, ANSI 3 PFF-2

10 — **ATTENTION**  
This product has been certified for use by  
trained fire rescue personnel only.



| REF. | PART NO.  | DESCRIPTION    | REMARK                    | QTY. | KIT |
|------|-----------|----------------|---------------------------|------|-----|
| 1    | 503142902 | WASHER         |                           | 1    |     |
| 2    | 506297502 | STARTER HANDLE |                           | 1    |     |
| 3    | 506322002 | LABEL          |                           | 1    |     |
| 4    | 506302302 | LABEL          |                           | 2    |     |
| 5    | 506340554 | BLADE GUARD    | "Rescue 14". Incl. 6 - 8" | 1    |     |
| 5    | 506340552 | BLADE GUARD    | "Rescue 12". Incl. 6 - 8" | 1    |     |
| 6    | 503215320 | SCREW ITXSCM   |                           | 1    |     |
| 7    | 506344602 | HANDLE         |                           | 1    |     |
| 8    | 506266302 | LINING         |                           | 2    |     |
| 9    | 544890601 | LABEL          | "14"                      | 1    |     |
| 9    | 544890603 | LABEL          | "12"                      | 1    |     |
| 10   | 506322202 | LABEL          |                           | 1    |     |
| 11   | 506297601 | SHOULDER STRAP |                           | 1    |     |
| 12   | 506302505 | BRACKET        | Incl. 13, 14              | 1    |     |
| 13   | 503226504 | SQUARE NUT     |                           | 2    |     |
| 14   | 503215312 | SCREW ITXSCM   |                           | 2    |     |

**R** K960

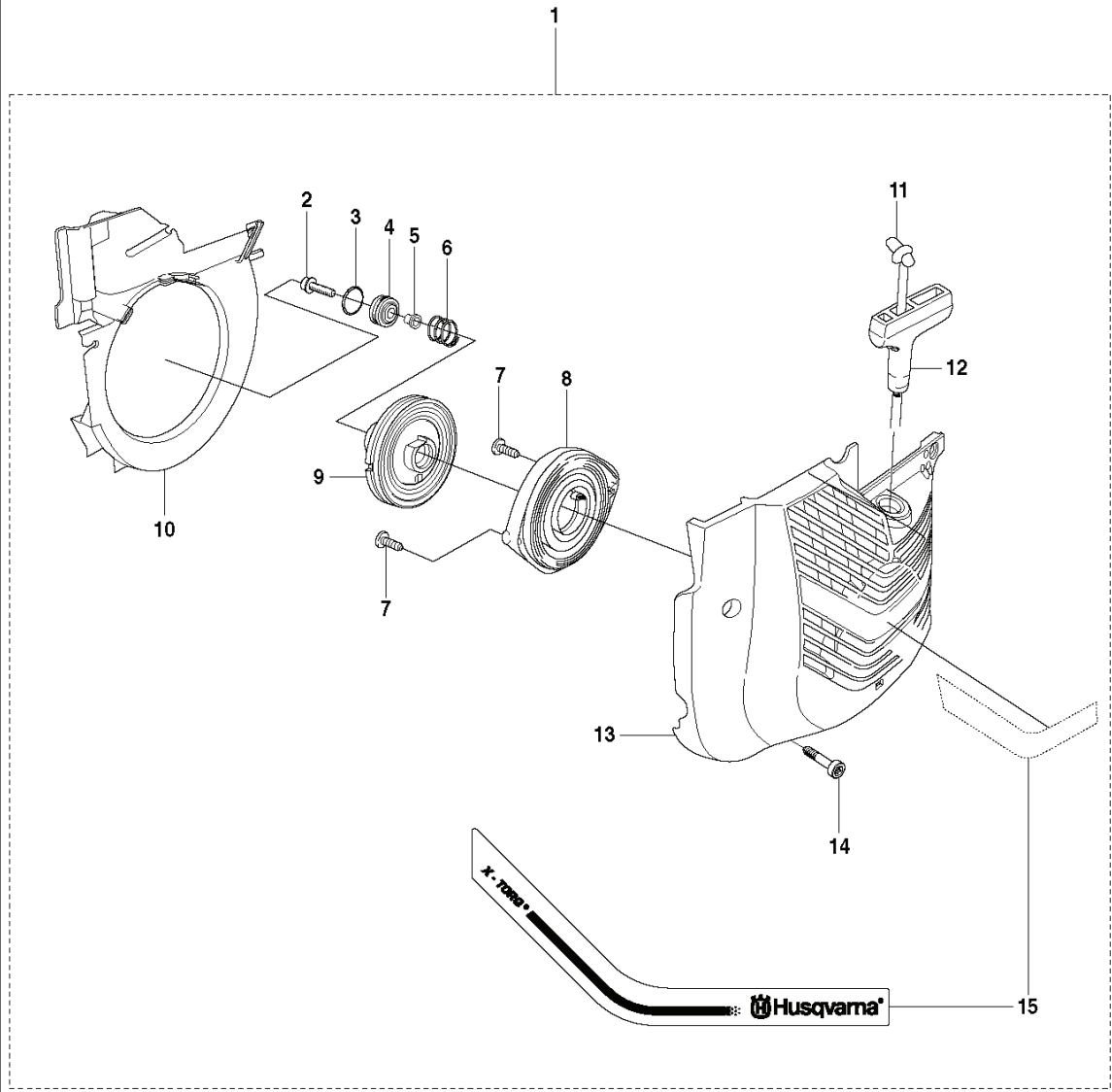


---

| REF. | PART NO.  | DESCRIPTION    | REMARK | QTY. | KIT |
|------|-----------|----------------|--------|------|-----|
| 1    | 544214704 | CRANKCASE ASSY |        | 1    |     |



**H** K960



---

| REF. | PART NO.  | DESCRIPTION        | REMARK       | QTY. | KIT |
|------|-----------|--------------------|--------------|------|-----|
| 1    | 506235916 | STARTER            | Incl. 2 - 15 | 1    |     |
| 2    | 503210722 | SCREW IHST         |              | 1    |     |
| 3    | 740431300 | O-RING             |              | 1    |     |
| 4    | 506251401 | GROMMET            |              | 1    |     |
| 5    | 506263101 | SPACING SLEEVE     |              | 1    |     |
| 6    | 506253001 | COMPRESSION SPRING |              | 1    |     |
| 7    | 503212810 | SCREW CCRPANT      |              | 2    |     |
| 8    | 596293101 | RECOIL SPRING      |              | 1    |     |
| 9    | 506258103 | STARTER PULLEY     |              | 1    |     |
| 10   | 544287501 | AIR CONDUCTOR      |              | 1    |     |
| 11   | 506335615 | CORD               |              | 1    |     |
| 11   | 506335650 | STARTER ROPE       | 50 m Coil    | 1    |     |
| 12   | 503127901 | STARTER HANDLE     |              | 1    |     |
| 13   | 506218404 | STARTER COVER      |              | 1    |     |
| 14   | 503215321 | SCREW ITXSCM       |              | 4    |     |
| 15   | 506272304 | LABEL              |              | 1    |     |