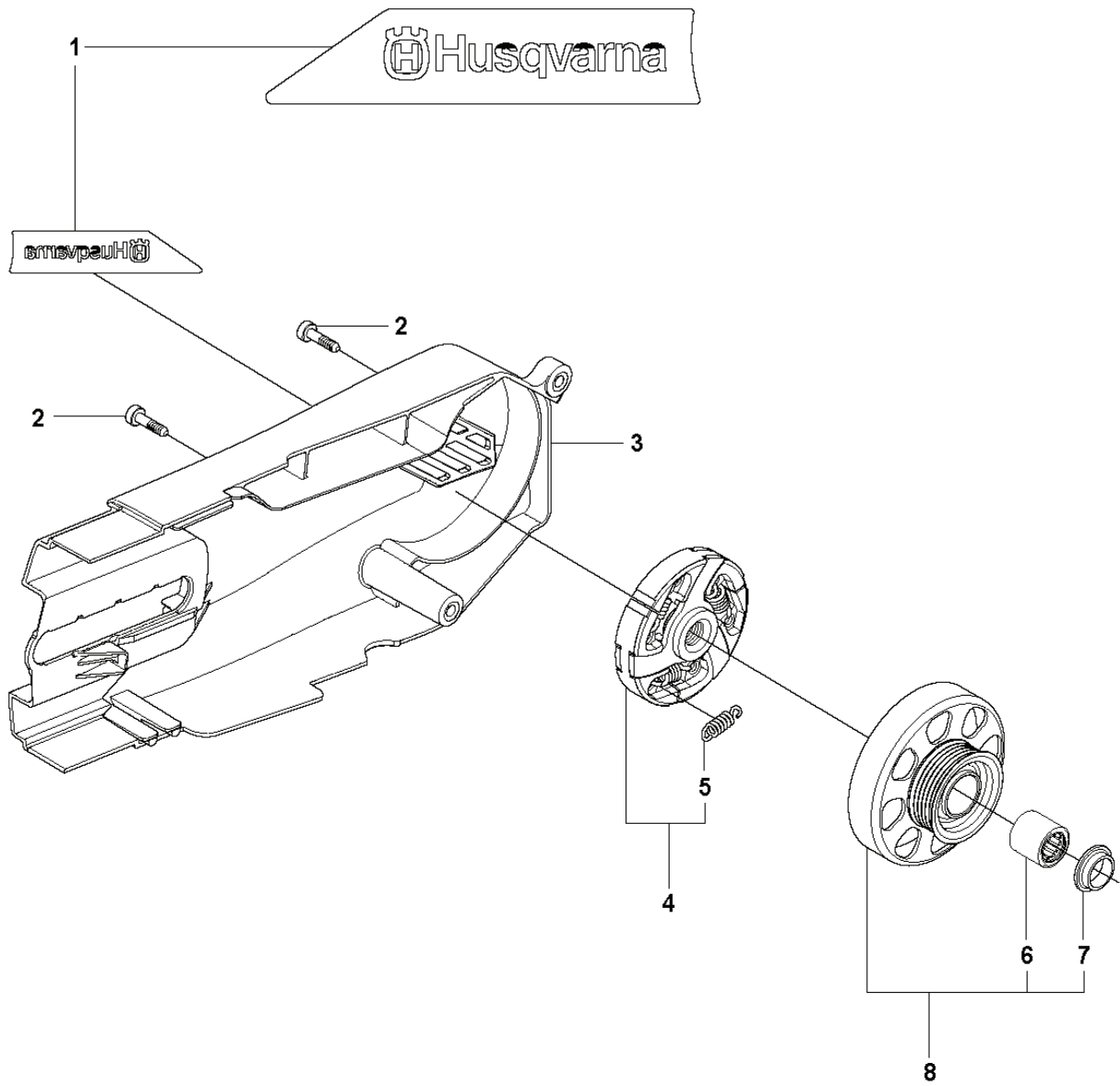


K960, 2007-10

---

# **SPARE PARTS LIST**

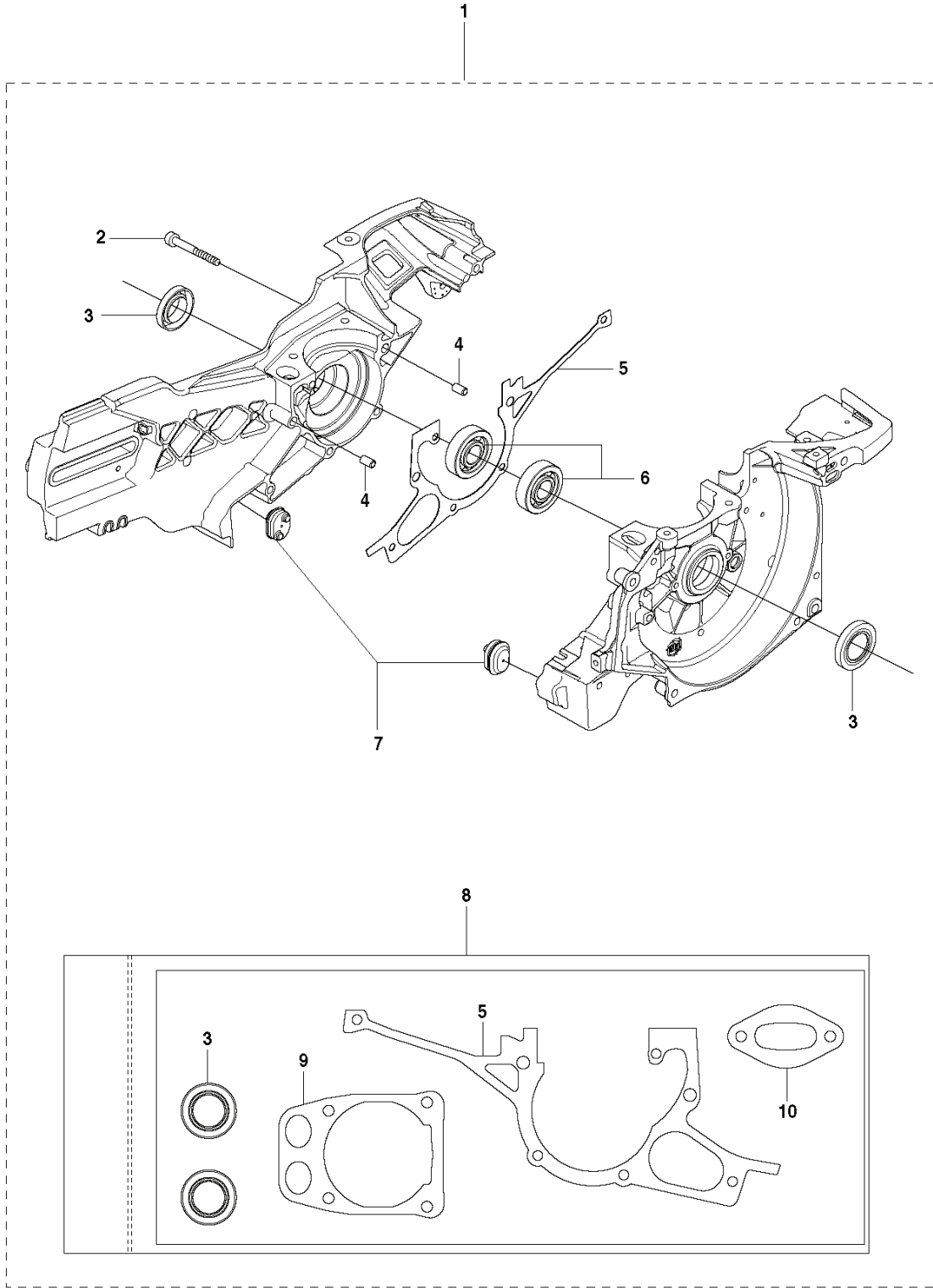
**C** K960



---

| REF. | PART NO.  | DESCRIPTION         | REMARK                 | QTY. | KIT |
|------|-----------|---------------------|------------------------|------|-----|
| 1    | 544933101 | LABEL               |                        | 1    |     |
| 2    | 503215321 | SCREW ITXSCM        |                        | 2    |     |
| 3    | 544096502 | BELT GUARD          |                        | 1    |     |
| 4    | 503701501 | CLUTCH ASSY         | Incl. 5                | 1    |     |
| 5    | 588421501 | CLUTCH SPRING       |                        | 3    |     |
| 6    | 505302415 | NEEDLE BEARING      |                        | 1    |     |
| 7    | 506393001 | WASHER              |                        | 1    |     |
| 8    | 506378303 | DRIVING PULLEY ASSY | "12". 14". Incl. 6, 7" | 1    |     |
| 8    | 544376601 | DRIVING PULLEY ASSY | "16". Incl. 6, 7"      | 1    |     |

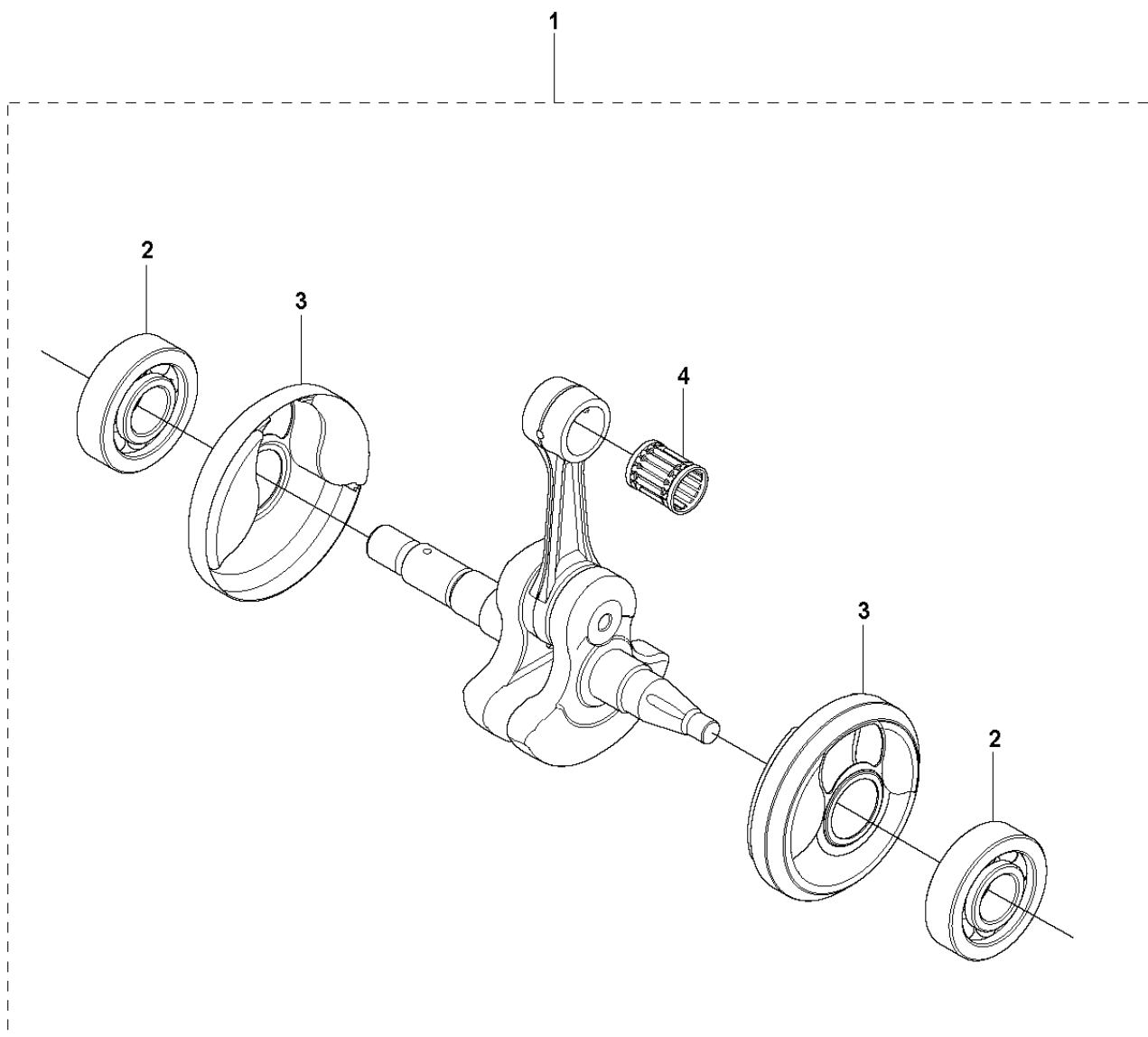
**D** K960



---

| REF. | PART NO.  | DESCRIPTION    | REMARK            | QTY. | KIT |
|------|-----------|----------------|-------------------|------|-----|
| 1    | 544214702 | CRANKCASE ASSY | Incl. 2 - 8       | 1    |     |
| 2    | 503215349 | SCREW ITXSCM   |                   | 7    |     |
| 3    | 503260204 | SEALING RING   |                   | 2    |     |
| 4    | 501270801 | GUIDE BUSHING  |                   | 2    |     |
| 5    | 506413901 | GASKET         |                   | 1    |     |
| 6    | 503250002 | BALL BEARING   |                   | 2    |     |
| 7    | 544895401 | RUBBER BUSHING |                   | 2    |     |
| 8    | 544229801 | GASKET KIT     | Incl. 3, 5, 9, 10 | 1    |     |
| 9    | 506414001 | GASKET         |                   | 1    |     |
| 10   | 506378101 | GASKET         |                   | 1    |     |

**F** K960

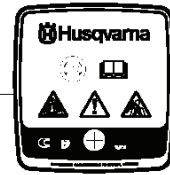
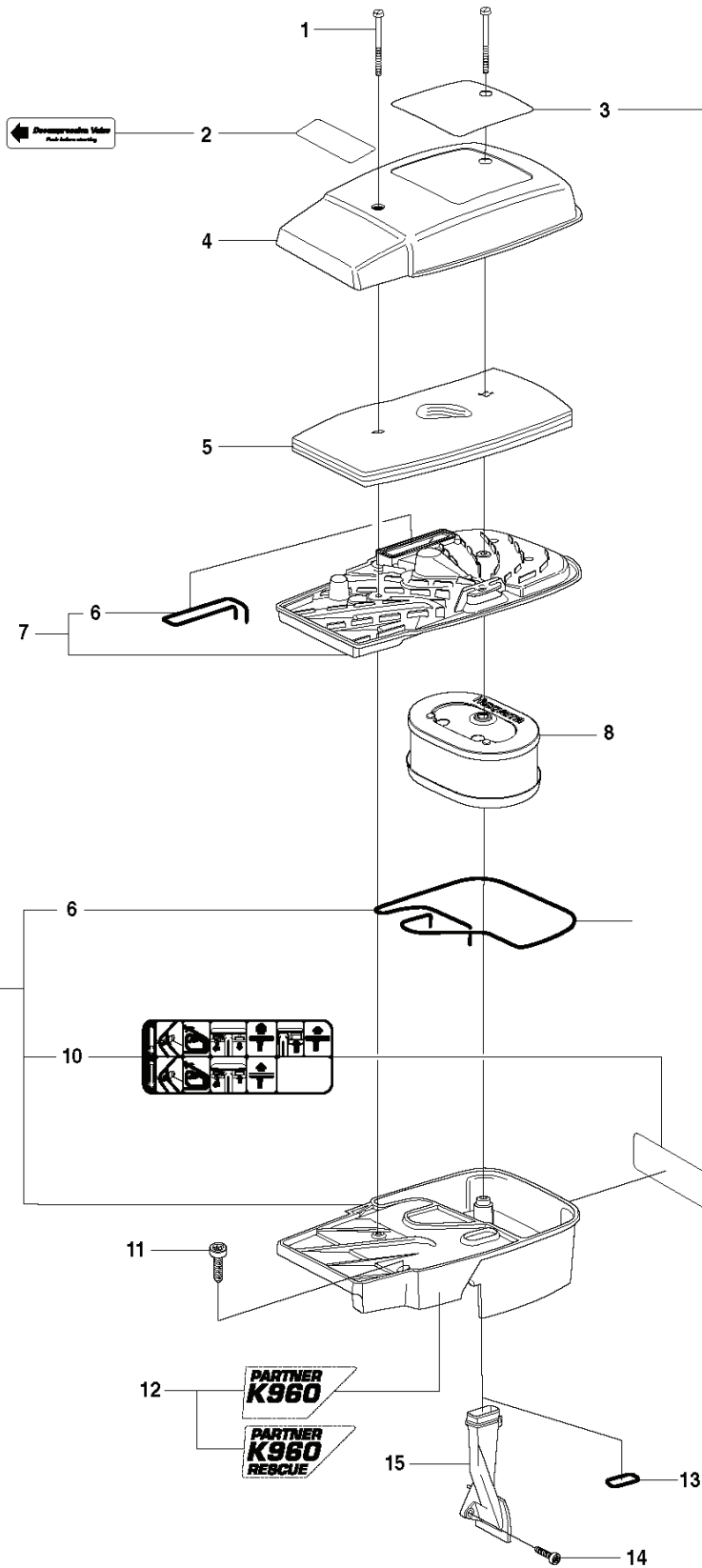


---

| REF. | PART NO.  | DESCRIPTION     | REMARK      | QTY. | KIT |
|------|-----------|-----------------|-------------|------|-----|
| 1    | 544983901 | CRANKSHAFT ASSY | Incl. 2 - 4 | 1    |     |
| 2    | 503250002 | BALL BEARING    |             | 2    |     |
| 3    | 506414401 | CUP             |             | 2    |     |
| 4    | 503256101 | NEEDLE BEARING  |             | 1    |     |

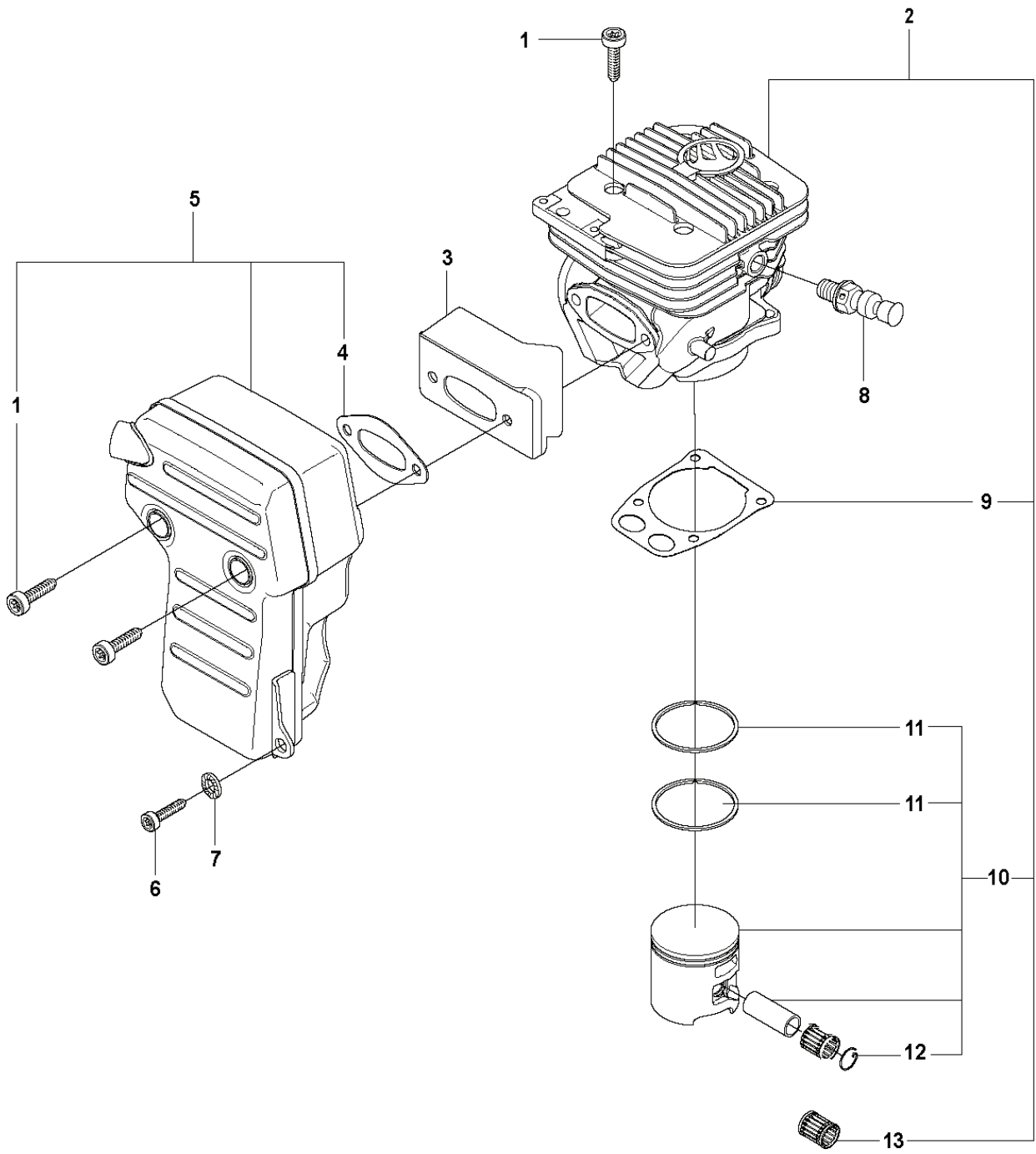


**K** K960



| REF. | PART NO.  | DESCRIPTION         | REMARK     | QTY. | KIT |
|------|-----------|---------------------|------------|------|-----|
| 1    | 503215349 | SCREW ITXSCM        |            | 2    |     |
| 2    | 544874601 | LABEL               |            | 1    |     |
| 3    | 544874402 | LABEL               | CE         | 1    |     |
| 3    | 544874404 | LABEL               | EPA USA    | 1    |     |
| 3    | 544874405 | LABEL               | EPA Canada | 1    |     |
| 4    | 506221702 | COVER               |            | 1    |     |
| 5    | 506231901 | PREFILTER           |            | 1    |     |
| 6    | 506283930 | SEALING             |            | 2    |     |
| 7    | 506221815 | FILTER BOTTOM       | Incl 6     | 1    |     |
| 8    | 506347002 | AIR FILTER          |            | 1    |     |
| 9    | 544891404 | CYLINDER COVER ASSY | Incl 6, 10 | 1    |     |
| 10   | 506243902 | LABEL               |            | 1    |     |
| 11   | 503215330 | SCREW ITXSCM        |            | 3    |     |
| 12   | 544890705 | LABEL               |            | 1    |     |
| 12   | 544890706 | LABEL               | Rescue     | 1    |     |
| 13   | 740482003 | O-RING              |            | 1    |     |
| 14   | 501981001 | SCREW ITXSCM        |            | 1    |     |
| 15   | 506229401 | AIR NOZZLE          |            | 1    |     |

**E** K960

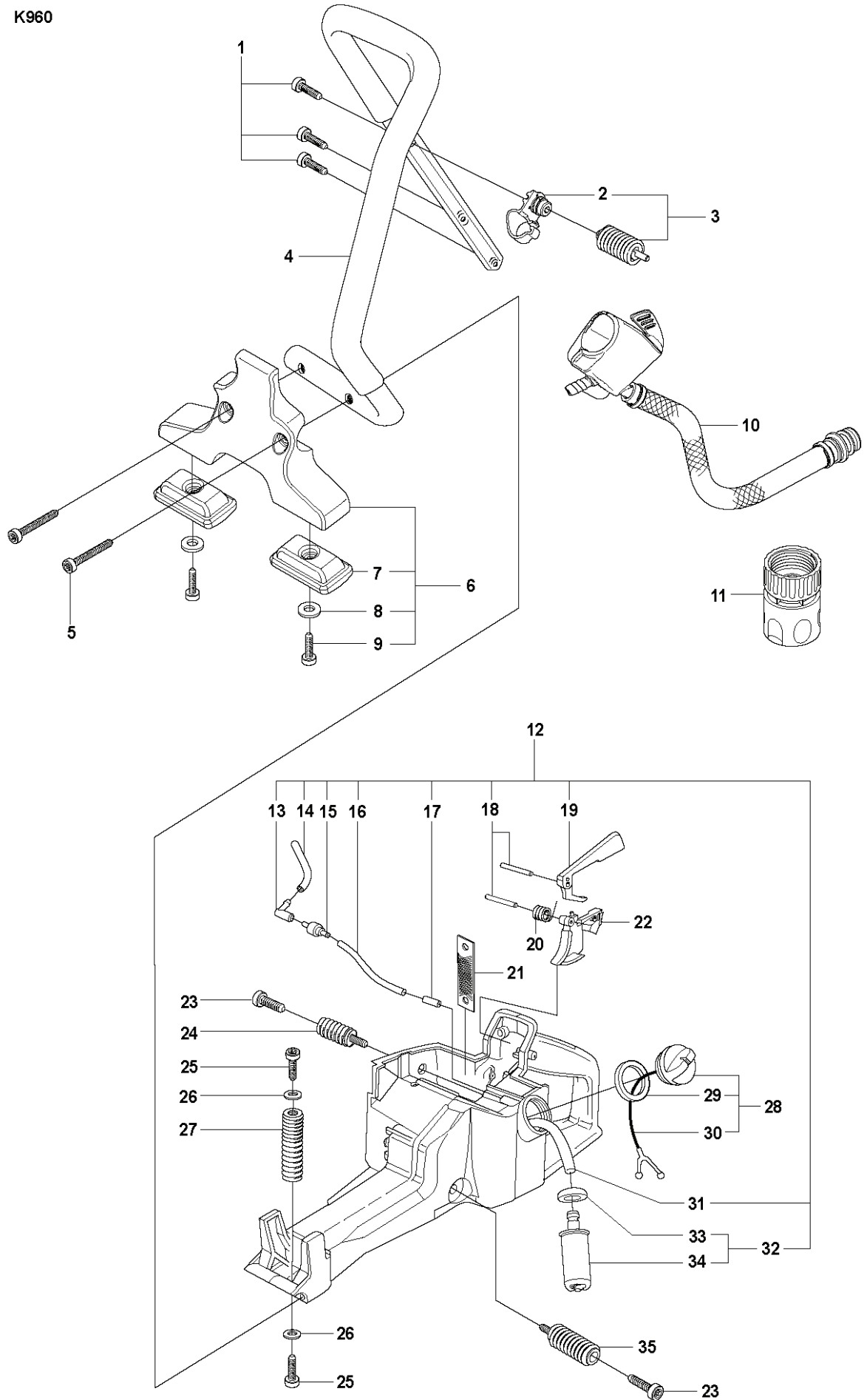


---

| REF. | PART NO.  | DESCRIPTION         | REMARK          | QTY. | KIT |
|------|-----------|---------------------|-----------------|------|-----|
| 1    | 544218401 | SCREW ITXSCM        |                 | 6    |     |
| 2    | 544935602 | CYLINDER ASSY       | Incl. 9, 10, 13 | 1    |     |
| 3    | 577997602 | HEAT DEFLECTOR      |                 | 1    |     |
| 4    | 506378101 | GASKET              |                 | 1    |     |
| 5    | 506372803 | MUFFLER ASSY        | Incl. 1, 4      | 1    |     |
| 6    | 503215325 | SCREW ITXSCM        |                 | 1    |     |
| 7    | 503230402 | WASHER              |                 | 1    |     |
| 8    | 503665601 | DECOMPRESSION VALVE |                 | 1    |     |
| 9    | 506414001 | GASKET              |                 | 1    |     |
| 10   | 506413202 | PISTON              | Incl. 11, 12    | 1    |     |
| 11   | 503289035 | PISTON RING         |                 | 2    |     |
| 12   | 737441300 | CIRCLIP             |                 | 2    |     |
| 13   | 503256101 | NEEDLE BEARING      |                 | 1    |     |

G

K960

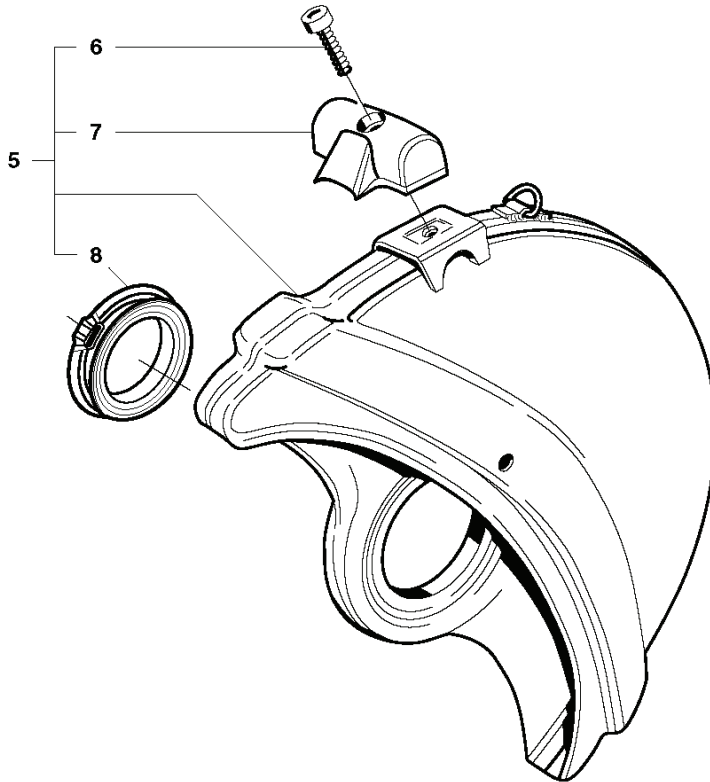
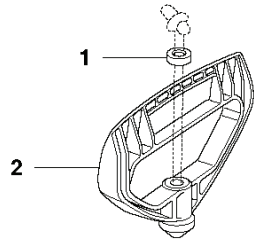


| REF. | PART NO.  | DESCRIPTION           | REMARK                | QTY. | KIT |
|------|-----------|-----------------------|-----------------------|------|-----|
| 1    | 503215420 | SCREW ITXSCT          |                       | 3    |     |
| 2    | 544020802 | SPRING RETAINER       |                       | 1    |     |
| 3    | 506389103 | ANTIVIBRATION ELEMENT | Incl. 2               | 1    |     |
| 4    | 544456801 | HANDLE                |                       | 1    |     |
| 5    | 503215445 | SCREW ITXSCT          |                       | 2    |     |
| 7    | 544811601 | BASE                  |                       | 2    |     |
| 8    | 734114741 | WASHER                |                       | 2    |     |
| 9    | 503215312 | SCREW ITXSCM          |                       | 2    |     |
| 10   | 506385904 | HOSE ASSY             |                       | 1    |     |
| 11   | 503266002 | COUPLER               |                       | 1    |     |
| 12   | 544892006 | FUEL TANK             | Incl. 13 - 19, 28, 32 | 1    |     |
| 13   | 503454601 | CONNECTION BEND       |                       | 1    |     |
| 14   | 501768305 | FUEL HOSE             |                       | 1    |     |
| 15   | 506236101 | TANK VENT             |                       | 1    |     |
| 16   | 544324932 | FUEL HOSE             |                       | 1    |     |
| 17   | 506289501 | NIPPLE                |                       | 1    |     |
| 18   | 720124020 | PARALLEL PIN          |                       | 2    |     |
| 19   | 506222802 | THROTTLE LOCKOUT      |                       | 1    |     |
| 20   | 506222901 | SPRING THROTTLE TRIG  |                       | 1    |     |
| 21   | 544238201 | BAND                  |                       | 1    |     |
| 22   | 506222703 | TRIGGER               |                       | 1    |     |
| 23   | 544061201 | SCREW ITXSCM          |                       | 1    |     |
| 24   | 537210309 | ANTIVIBRATION ELEMENT |                       | 1    |     |
| 25   | 503215316 | SCREW ITXSCM          |                       | 2    |     |
| 26   | 503230011 | WASHER                |                       | 2    |     |
| 27   | 503468501 | ANTIVIBRATION ELEMENT |                       | 1    |     |
| 28   | 506255903 | TANK CAP ASSY         | Incl. 29, 30          | 1    |     |
| 29   | 506292101 | GASKET                |                       | 1    |     |
| 30   | 503578901 | HOLDER                |                       | 1    |     |
| 32   | 506264111 | FUEL FILTER           | Incl. 33, 34          | 1    |     |
| 31   | 544325002 | FUEL HOSE             |                       | 1    |     |
| 33   | 506271101 | HOSE CLAMP            |                       | 1    |     |
| 34   | 506264101 | FUEL FILTER           |                       | 1    |     |
| 35   | 544383102 | SPRING                |                       | 1    |     |

**Q** K960

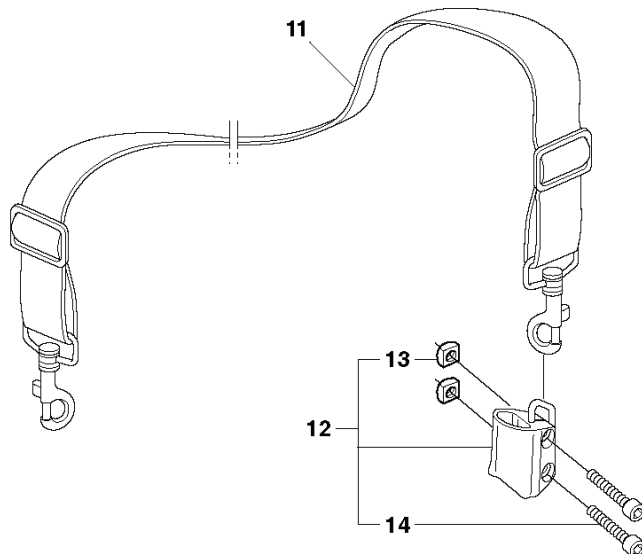
**K12 FD  
FIRE-RESCUE**

**Rescue**



9 — Husqvarna Rescue  
max. 6"100 rpm  
ANSI 4 PFF-1, ANSI 3 PFF-2

10 — **ATTENTION**  
This product has been certified for use by  
trained fire rescue personnel only.

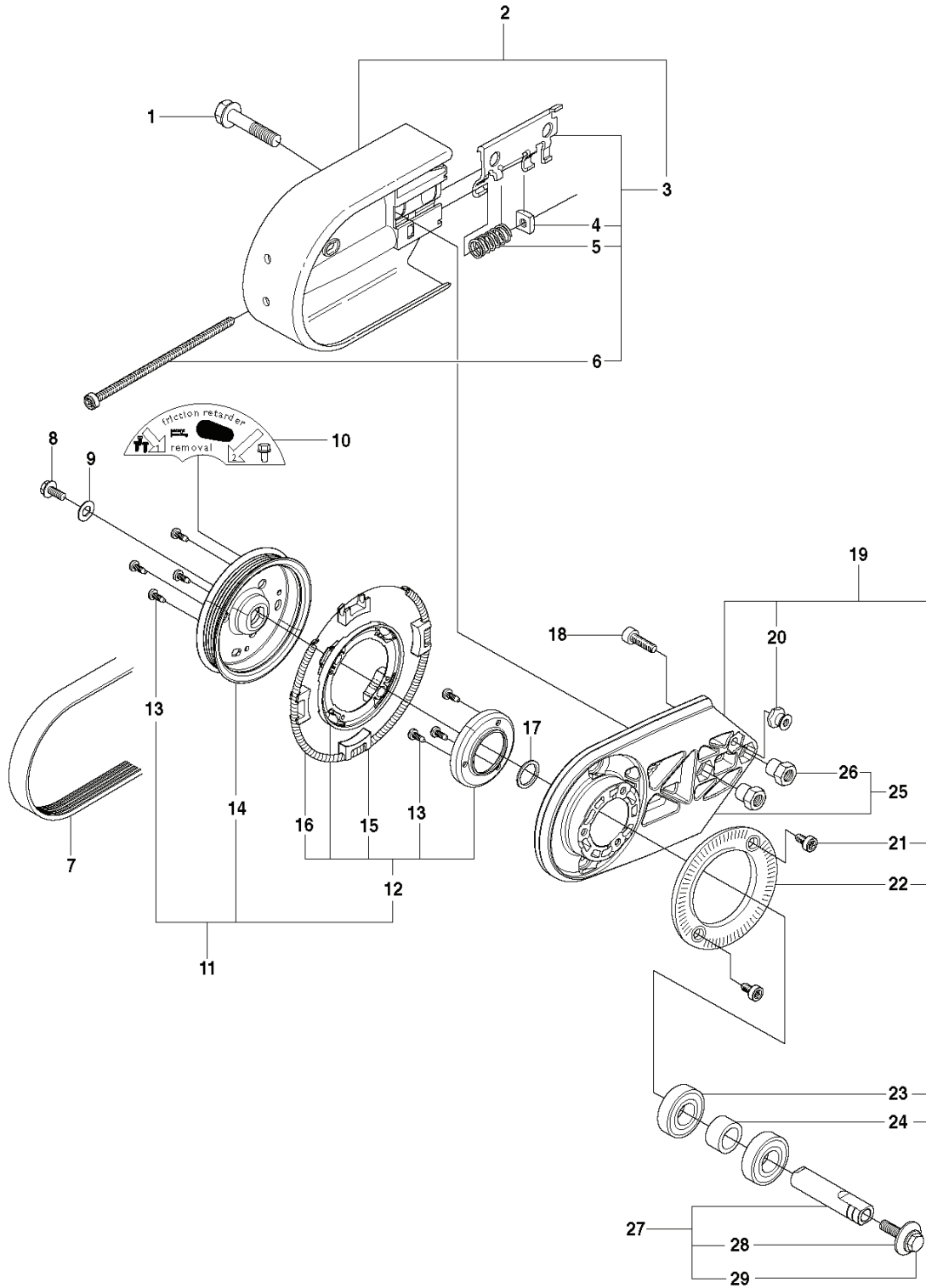


---

| REF. | PART NO.  | DESCRIPTION      | REMARK                    | QTY. | KIT |
|------|-----------|------------------|---------------------------|------|-----|
| 1    | 503142902 | WASHER           |                           | 1    |     |
| 2    | 506297502 | STARTER HANDLE   |                           | 1    |     |
| 3    | 506322002 | LABEL            |                           | 1    |     |
| 4    | 506302302 | LABEL            |                           | 1    |     |
| 5    | 506340524 | WHEEL GUARD ASSY | "Rescue 14". Incl. 6 - 8" | 1    |     |
| 5    | 506340528 | WHEEL GUARD      | "Rescue 12". Incl. 6 - 8" | 1    |     |
| 6    | 725533155 | SCREW IHSCM      |                           | 1    |     |
| 7    | 506344602 | HANDLE           |                           | 1    |     |
| 8    | 506266302 | LINING           |                           | 2    |     |
| 9    | 544890601 | LABEL            | "14"                      | 1    |     |
| 9    | 544890603 | LABEL            | "12"                      | 1    |     |
| 10   | 506322202 | LABEL            |                           | 1    |     |
| 11   | 506297601 | SHOULDER STRAP   |                           | 1    |     |
| 12   | 506302505 | BRACKET          | Incl. 13, 14              | 1    |     |
| 13   | 503226504 | SQUARE NUT       |                           | 2    |     |
| 14   | 503215312 | SCREW IWXSCM     |                           | 2    |     |

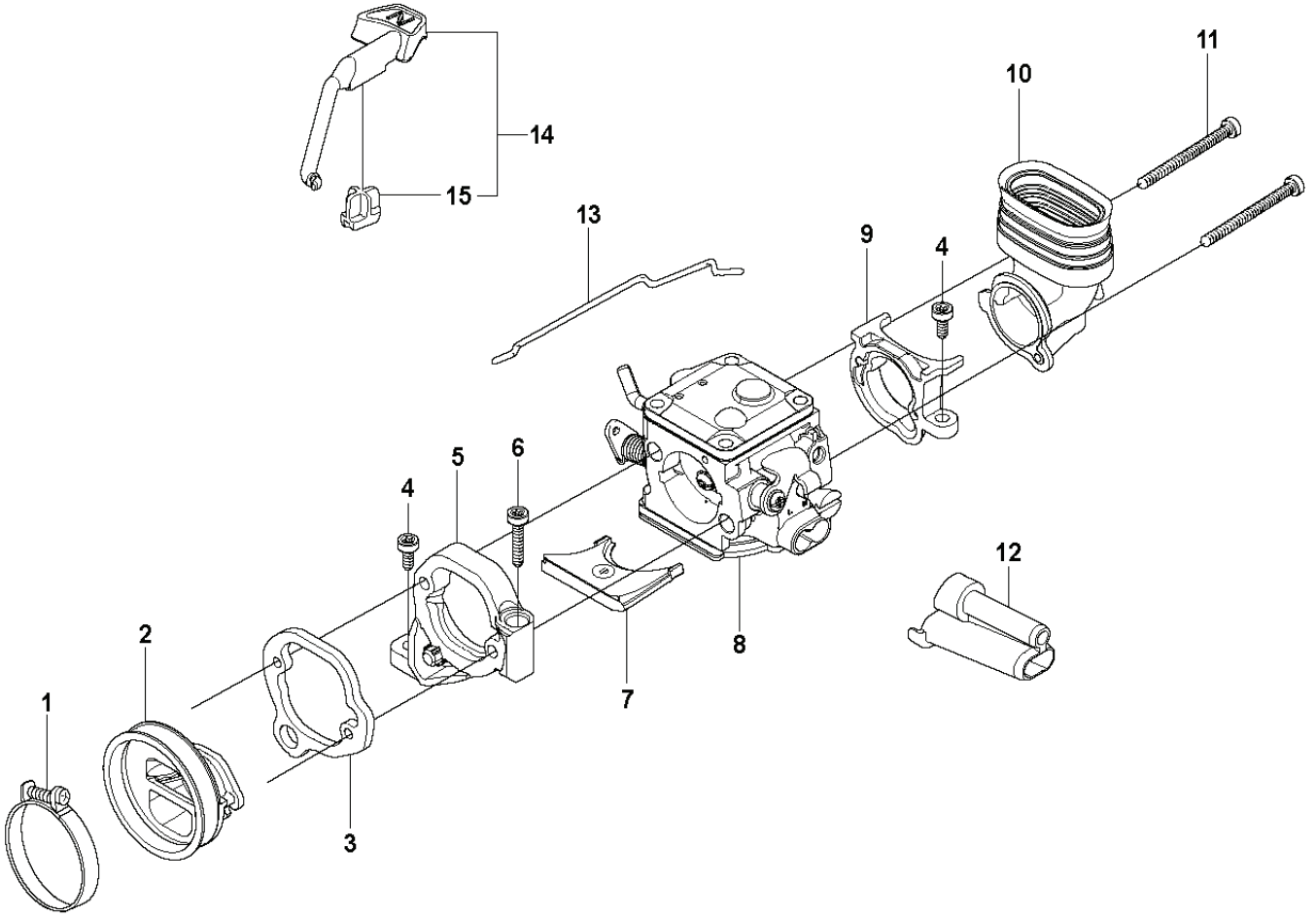


**A** K960



| REF. | PART NO.  | DESCRIPTION         | REMARK           | QTY. | KIT |
|------|-----------|---------------------|------------------|------|-----|
| 1    | 506284401 | SCREW EHHFM         |                  | 2    |     |
| 2    | 506393602 | BELT GUARD          | Incl. 3          | 1    |     |
| 3    | 506266604 | BELT TENSIONER ASSY | Incl. 4, 5, 6    | 1    |     |
| 4    | 506409301 | NUT                 |                  | 1    |     |
| 5    | 506266801 | COMPRESSION SPRING  |                  | 1    |     |
| 6    | 503207205 | SCREW CITXSCM       |                  | 1    |     |
| 7    | 544908403 | BELT                | "12", "14"       | 1    |     |
| 7    | 544908404 | BELT                | "16"             | 1    |     |
| 8    | 503200045 | SCREW EHHFM         |                  | 1    |     |
| 9    | 503230116 | WASHER              |                  | 1    |     |
| 10   | 502470401 | LABEL               |                  | 1    |     |
| 11   | 504037001 | PULLEY              | Incl. 12 - 16    | 1    |     |
| 12   | 504037003 | PULLEY              | Incl. 13, 15, 16 | 1    |     |
| 13   | 503212810 | SCREW CCRPANT       |                  | 7    |     |
| 14   | 544440601 | PULLEY              |                  | 1    |     |
| 15   | 544440401 | BRAKE SHOE          |                  | 4    |     |
| 16   | 544441001 | DRAW SPRING         |                  | 1    |     |
| 17   | 503230104 | WASHER              |                  | 1    |     |
| 18   | 725532955 | SCREW IHSCM         |                  | 1    |     |
| 19   | 506394205 | BEARING HOUSING     | Incl. 20 - 24    | 1    |     |
| 20   | 506143201 | NUT CAP             |                  | 1    |     |
| 21   | 503215310 | SCREW ITXSCM        |                  | 2    |     |
| 22   | 506288401 | SCREEN              |                  | 1    |     |
| 23   | 503252101 | BALL BEARING        |                  | 2    |     |
| 24   | 506070801 | SPACING SLEEVE      |                  | 1    |     |
| 25   | 506394211 | BEARING HOUSING     | Incl. 26         | 1    |     |
| 26   | 506287301 | NUT                 |                  | 2    |     |
| 27   | 506298363 | SHAFT               | Incl. 28, 29     | 1    |     |
| 28   | 506139511 | WASHER              |                  | 1    |     |
| 29   | 581855201 | SCREW               |                  | 1    |     |

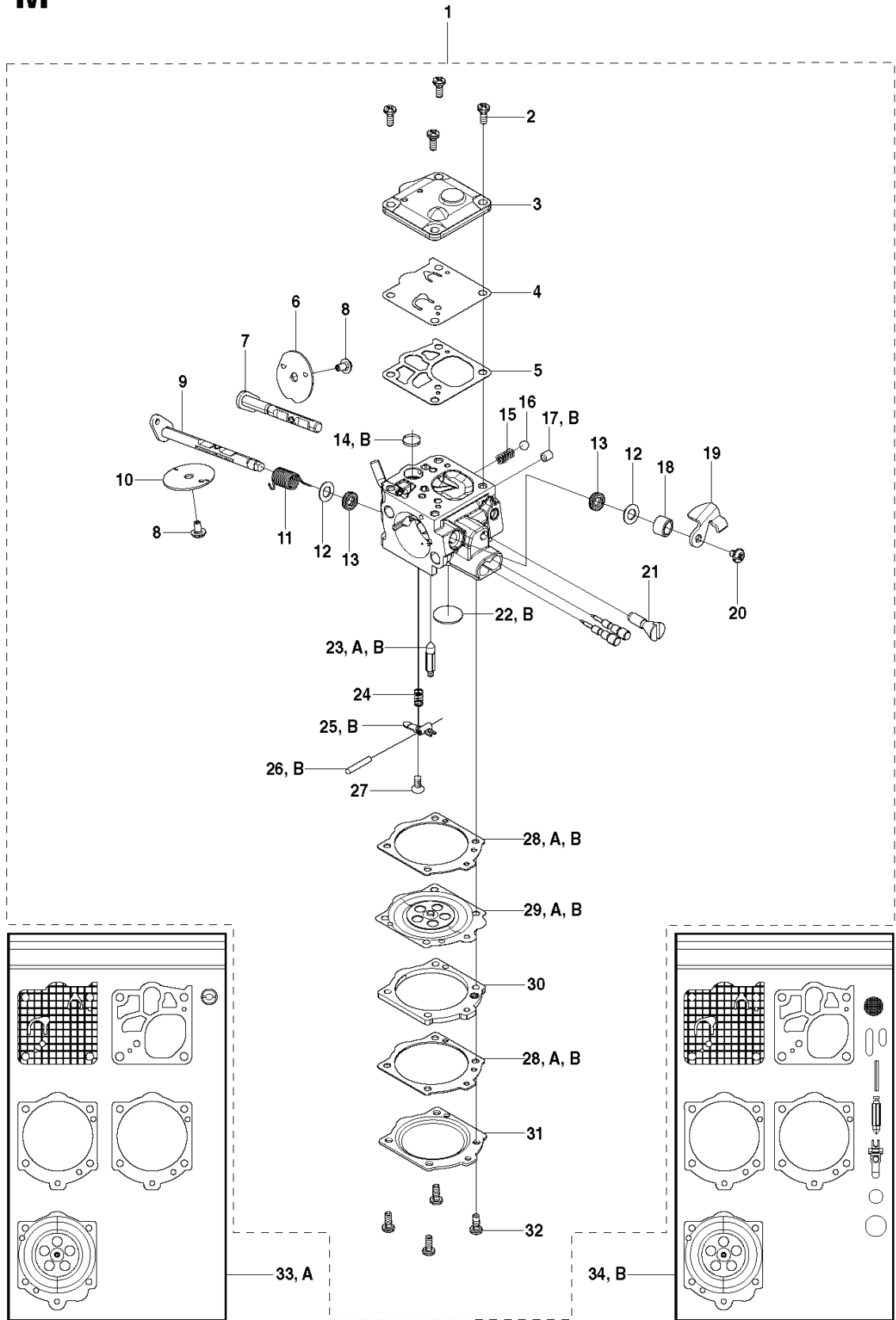
L K960



---

| REF. | PART NO.  | DESCRIPTION     | REMARK       | QTY. | KIT |
|------|-----------|-----------------|--------------|------|-----|
| 1    | 503560008 | HOSE CLAMP      |              | 1    |     |
| 2    | 506414101 | INLET PIPE      |              | 1    |     |
| 3    | 544150101 | FLANGE          |              | 1    |     |
| 4    | 503215316 | SCREW ITXSCM    |              | 2    |     |
| 5    | 544113901 | CONSOLE         |              | 1    |     |
| 6    | 503215330 | SCREW ITXSCM    |              | 1    |     |
| 7    | 506414201 | PLATE           |              | 1    |     |
| 8    | 502623201 | CARBURETTOR     | Walbro RWJ-2 | 1    |     |
| 9    | 544111701 | FLANGE          |              | 1    |     |
| 10   | 544331901 | INLET BEND      |              | 1    |     |
| 11   | 501971801 | SCREW ITXSCM    |              | 2    |     |
| 12   | 544232601 | CHISEL GUIDE    |              | 1    |     |
| 13   | 504054701 | THROTTLE ROD    |              | 1    |     |
| 14   | 506232011 | CHOKE           | Incl. 15     | 1    |     |
| 15   | 506272501 | WEAR PROTECTION |              | 1    |     |

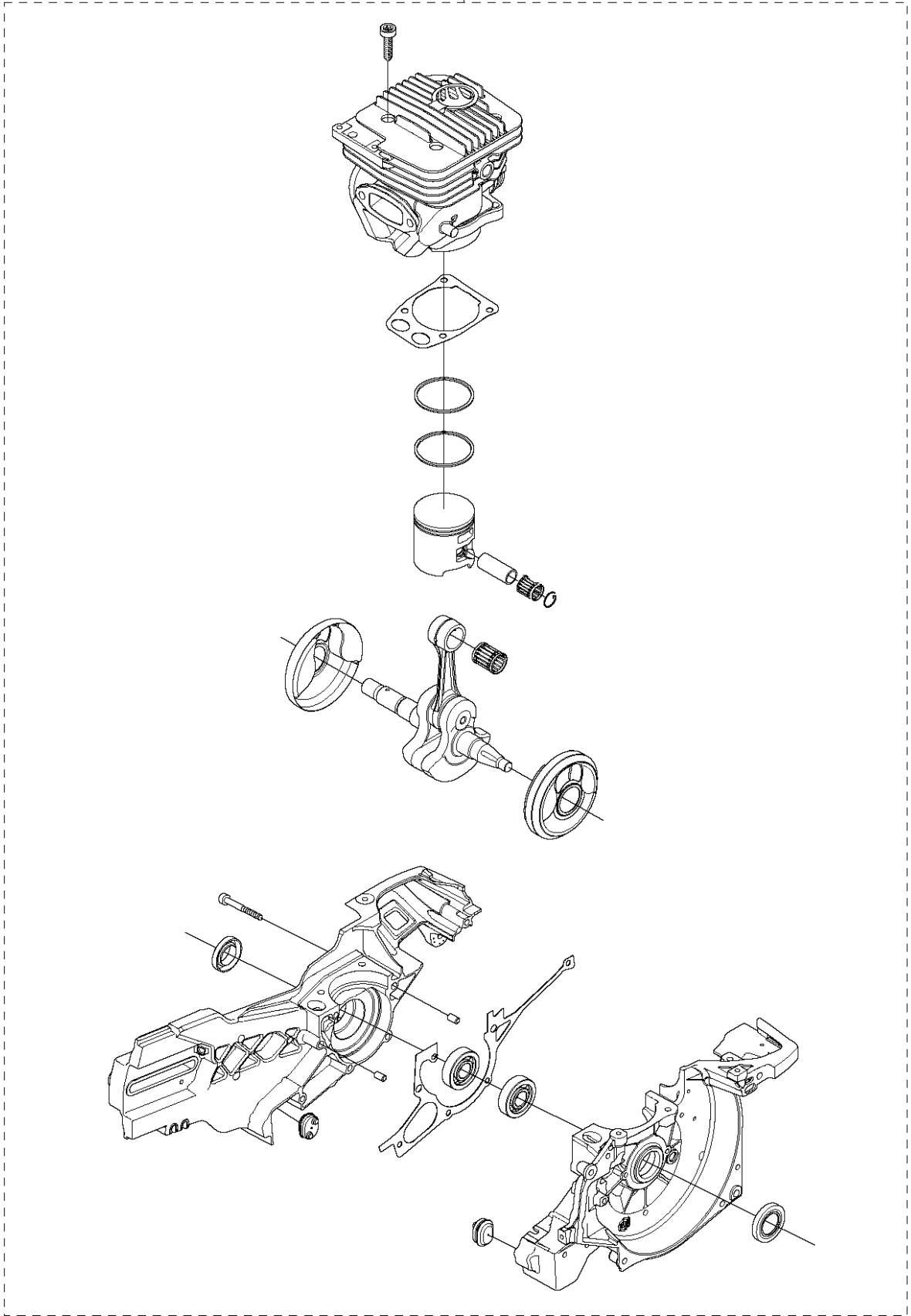
**M** K960



| REF. | PART NO.  | DESCRIPTION         | REMARK | QTY. | KIT |
|------|-----------|---------------------|--------|------|-----|
| 1    | 502623201 | CARBURETTOR         | 2 - 32 | 1    |     |
| 2    | 503117501 | SCREW               |        | 4    |     |
| 3    | 544896201 | PUMP COVER          |        | 1    |     |
| 4    | 544897201 | DIAPHRAGM PUMP      | A, B   | 1    |     |
| 5    | 503117201 | GASKET              | A, B   | 1    |     |
| 6    | 504135201 | VALVE               |        | 1    |     |
| 7    | 544896701 | SHAFT               |        | 1    |     |
| 8    | 544111501 | SCREW               |        | 2    |     |
| 9    | 544896401 | SHAFT               |        | 1    |     |
| 10   | 504135301 | VALVE               |        | 1    |     |
| 11   | 544956801 | SPRING              |        | 1    |     |
| 12   | 505316748 | WASHER              |        | 2    |     |
| 13   | 503564501 | SEAL                |        | 2    |     |
| 14   | 501666101 | SCREEN              | B      | 1    |     |
| 15   | 503117701 | SPRING              |        | 1    |     |
| 16   | 503117101 | BALL                |        | 1    |     |
| 17   | 530035157 | PLUG                |        | 1    |     |
| 18   | 537002601 | SPACER              |        | 1    |     |
| 19   | 544896001 | LEVER               |        | 1    |     |
| 20   | 501468701 | SCREW               |        | 1    |     |
| 21   | 544897601 | SCREW               |        | 1    |     |
| 22   | 503574101 | PLUG                |        | 1    |     |
| 23   | 503632501 | VALVE -INLET NEEDLE | A, B   | 1    |     |
| 24   | 503117601 | SPRING              |        | 1    |     |
| 25   | 505316734 | LEVER               | B      | 1    |     |
| 26   | 505316731 | PIN                 | B      | 1    |     |
| 27   | 505316717 | SCREW               |        | 1    |     |
| 28   | 544897101 | GASKET              | A, B   | 2    |     |
| 29   | 544897401 | DIAPHRAGM ASSY      | A, B   | 1    |     |
| 30   | 544897901 | PLATE               |        | 1    |     |
| 31   | 544896301 | COVER               |        | 1    |     |
| 32   | 537002001 | SCREW               |        | 4    |     |
| 33   | 502445801 | GASKET KIT          |        | 1    |     |
| 34   | 502445901 | REPAIR KIT          |        | 1    |     |

**S** K960

1



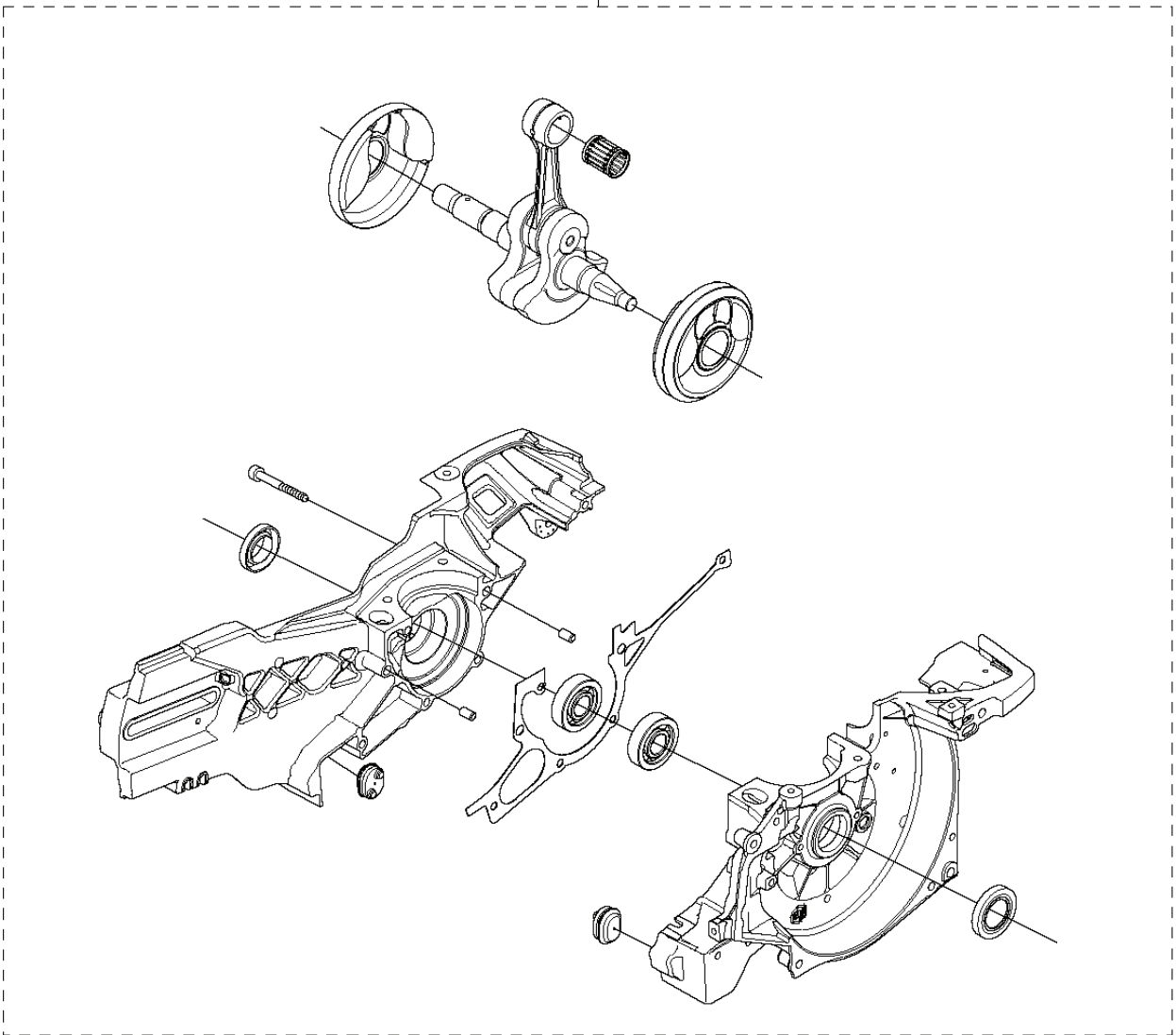
---

| REF. | PART NO.  | DESCRIPTION    | REMARK | QTY. | KIT |
|------|-----------|----------------|--------|------|-----|
| 1    | 544214704 | CRANKCASE ASSY |        | 1    |     |



**R** K960

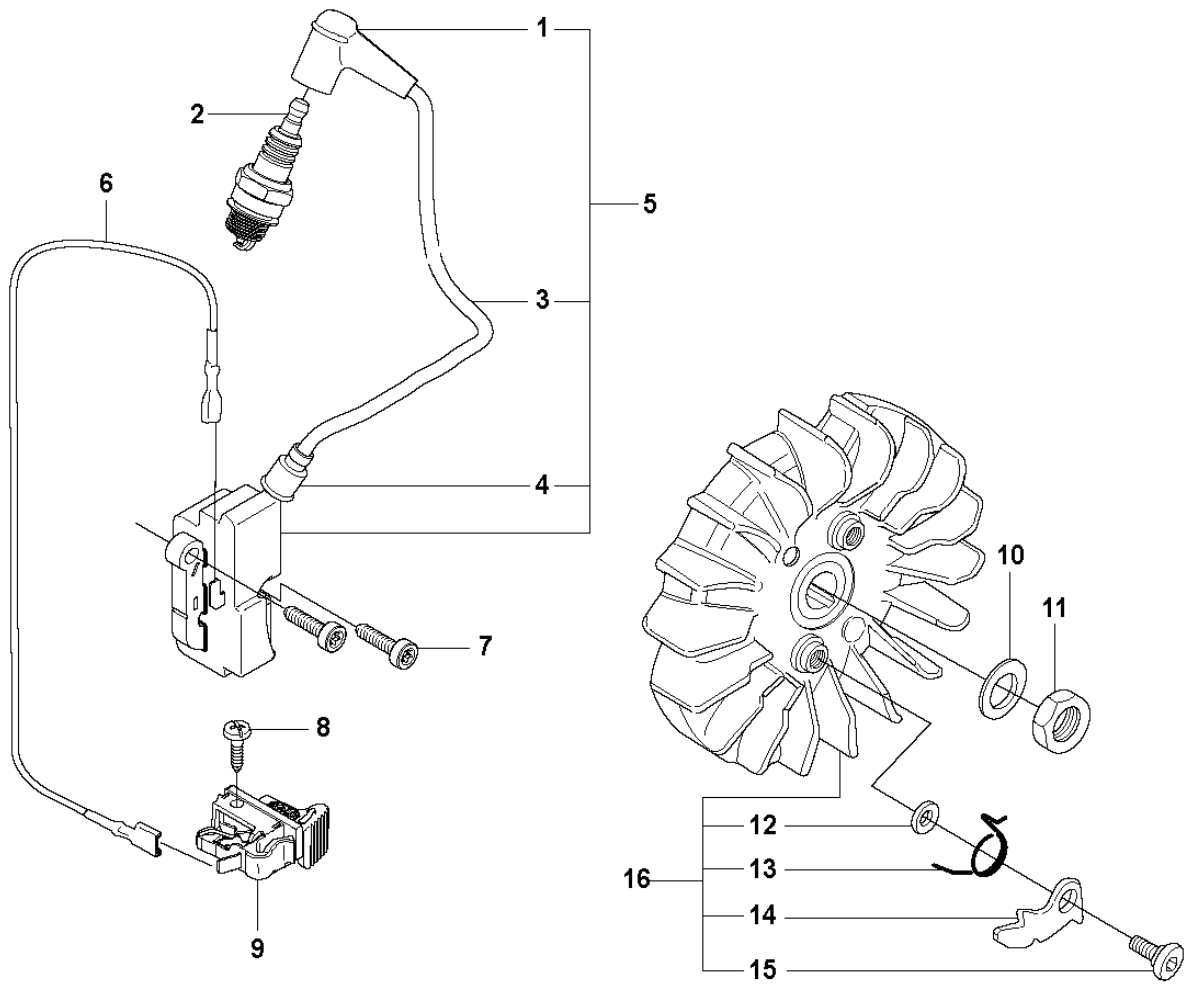
1



---

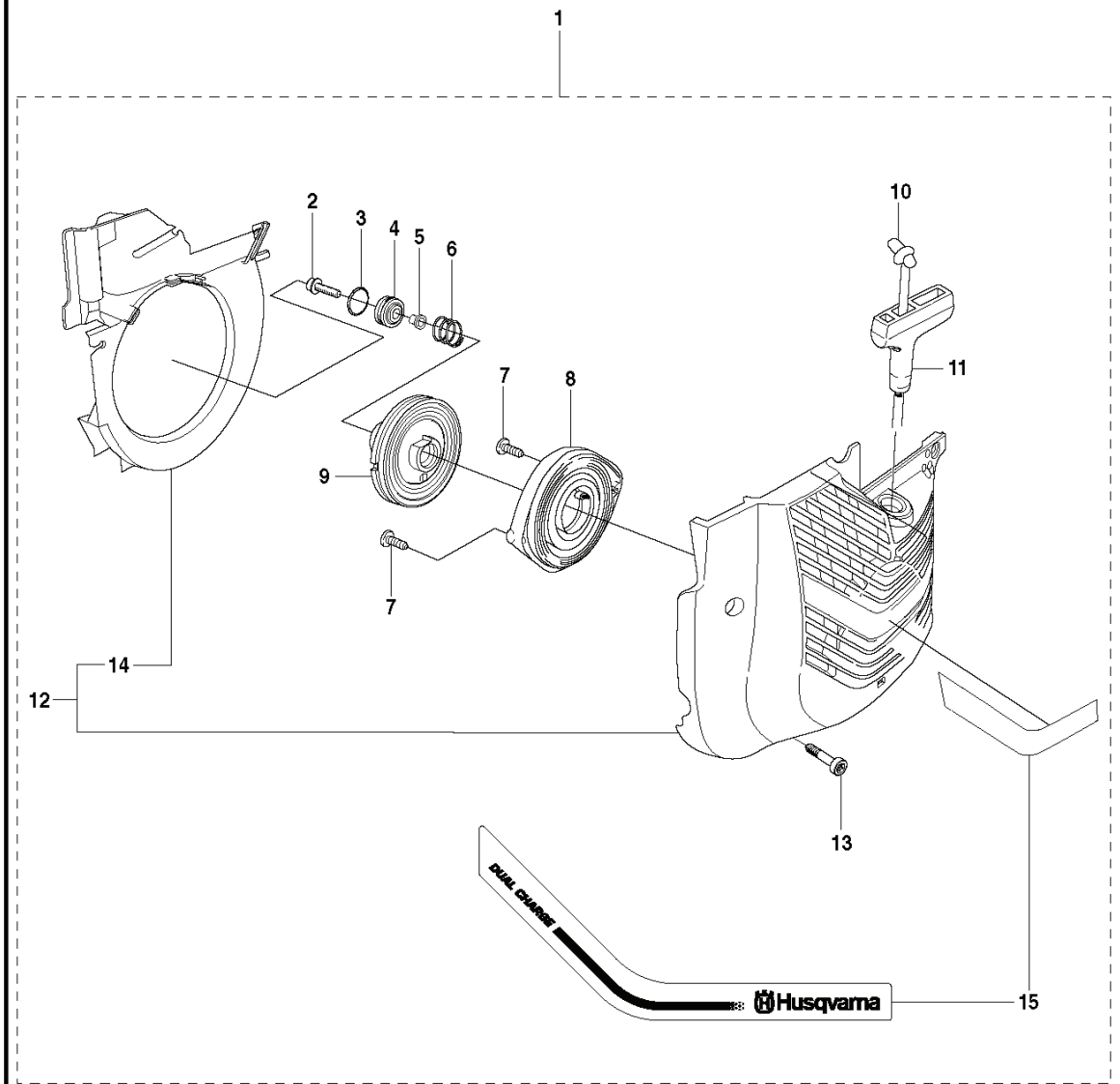
| REF. | PART NO.  | DESCRIPTION    | REMARK | QTY. | KIT |
|------|-----------|----------------|--------|------|-----|
| 1    | 544214703 | CRANKCASE ASSY |        | 1    |     |

**J** K960



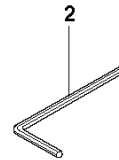
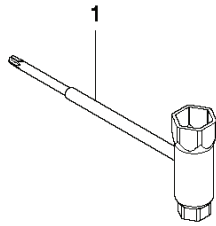
| REF. | PART NO.  | DESCRIPTION     | REMARK        | QTY. | KIT |
|------|-----------|-----------------|---------------|------|-----|
| 1    | 501485402 | SPARK PLUG CAP  |               | 1    |     |
| 2    | 503235111 | SPARK PLUG      | RCJ6Y         | 1    |     |
| 3    | 506387834 | IGNITION CABLE  |               | 1    |     |
| 4    | 505277516 | CABLE SLEEVE    |               | 1    |     |
| 5    | 544047503 | IGNITION MODULE | Incl. 1, 3, 4 | 1    |     |
| 6    | 501839801 | CABLE           |               | 1    |     |
| 7    | 503215320 | SCREW ITXSCM    |               | 2    |     |
| 8    | 503212806 | SCREW CCRPANT   |               | 1    |     |
| 9    | 506318602 | STOP SWITCH     |               | 1    |     |
| 10   | 503230101 | WASHER          |               | 1    |     |
| 11   | 503221011 | HEXAGON NUT     |               | 1    |     |
| 12   | 503230042 | WASHER          |               | 2    |     |
| 13   | 501634801 | SPRING          |               | 2    |     |
| 14   | 501673203 | PAWL            |               | 2    |     |
| 15   | 501819901 | SCREW           |               | 2    |     |
| 16   | 506272702 | FLYWHEEL        | Incl. 12 - 15 | 1    |     |

**H** K960

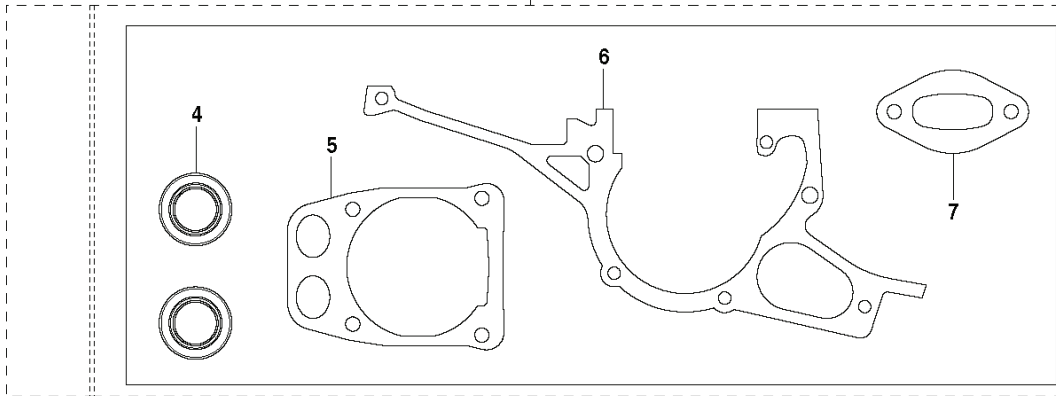


| REF. | PART NO.  | DESCRIPTION        | REMARK       | QTY. | KIT |
|------|-----------|--------------------|--------------|------|-----|
| 1    | 506235913 | STARTER            | Incl. 2 - 15 | 1    |     |
| 2    | 503210722 | SCREW IHST         |              | 1    |     |
| 3    | 740431300 | O-RING             |              | 1    |     |
| 4    | 506251401 | GROMMET            |              | 1    |     |
| 5    | 506263101 | SPACING SLEEVE     |              | 1    |     |
| 6    | 506253001 | COMPRESSION SPRING |              | 1    |     |
| 7    | 503212810 | SCREW CCRPANT      |              | 2    |     |
| 8    | 596293101 | RECOIL SPRING      |              | 1    |     |
| 9    | 506258103 | STARTER PULLEY     |              | 1    |     |
| 10   | 506335615 | CORD               |              | 1    |     |
| 10   | 506335650 | STARTER ROPE       | 50 m Coil    | 1    |     |
| 11   | 503127901 | STARTER HANDLE     |              | 1    |     |
| 12   | 506337204 | STARTER COVER      | Incl. 14     | 1    |     |
| 13   | 503215321 | SCREW ITXSCM       |              | 4    |     |
| 14   | 544287501 | AIR CONDUCTOR      |              | 1    |     |
| 15   | 506272303 | LABEL              |              | 1    |     |

**N** K960



3

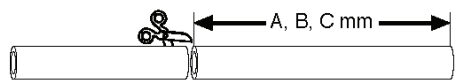
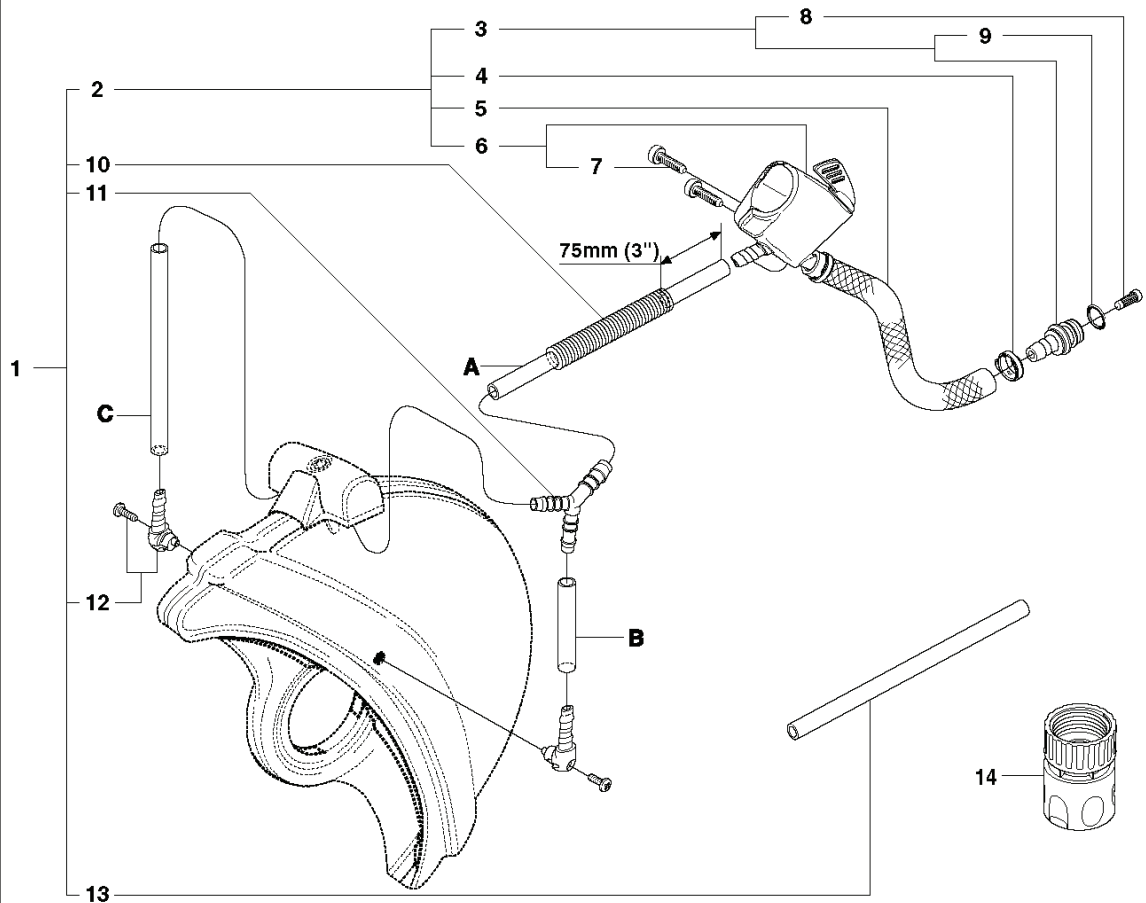


---

| REF. | PART NO.  | DESCRIPTION  | REMARK           | QTY. | KIT |
|------|-----------|--------------|------------------|------|-----|
| 1    | 506382601 | TOOL         | Torx 27          | 1    |     |
| 2    | 502215801 | WRENCH       | 4 mm             | 1    |     |
| 3    | 544229801 | GASKET KIT   | Incl. 4, 5, 6, 7 | 1    |     |
| 4    | 503260204 | SEALING RING |                  | 2    |     |
| 5    | 506414001 | GASKET       |                  | 1    |     |
| 6    | 506413901 | GASKET       |                  | 1    |     |
| 7    | 506378101 | GASKET       |                  | 1    |     |



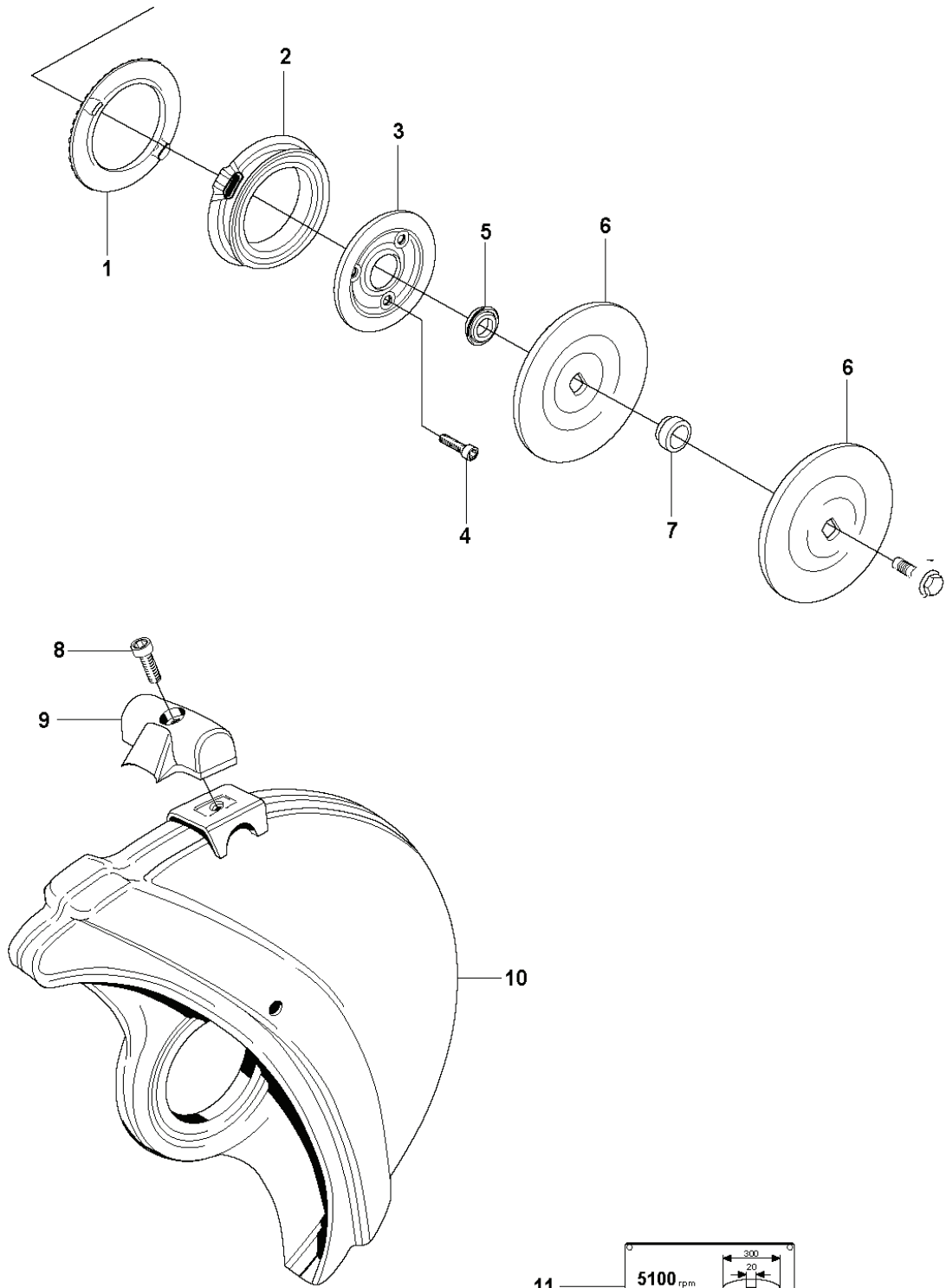
**P** K960



| Product |     | A (mm) | B (mm) | C (mm) |
|---------|-----|--------|--------|--------|
| K960    | 12" | 240    | 240    | 45     |
|         | 14" | 240    | 280    | 45     |
|         | 16" | 270    | 360    | 45     |

| REF. | PART NO.  | DESCRIPTION       | REMARK                       | QTY. | KIT |
|------|-----------|-------------------|------------------------------|------|-----|
| 1    | 544003102 | HOSE KIT          | "12", 14". Incl. 2, 10 - 13" | 1    |     |
| 1    | 544003105 | HOSE KIT          | "16". Incl. 2, 11 - 13"      | 1    |     |
| 2    | 506385904 | HOSE ASSY         | Incl. 3 - 6                  | 1    |     |
| 3    | 506295702 | NIPPLE            | Incl. 7                      | 1    |     |
| 4    | 506095606 | HOSE CLAMP        |                              | 2    |     |
| 5    | 506097502 | HOSE              | L=230 mm                     | 1    |     |
| 6    | 506386012 | VALVE ASSY        | Incl. 7                      | 1    |     |
| 7    | 503215420 | SCREW ITXSCT      |                              | 2    |     |
| 8    | 506298801 | FILTER            | Incl. 9                      | 1    |     |
| 9    | 503263021 | O-RING            |                              | 1    |     |
| 10   | 506352701 | PROTECTIVE SPRING | "16" only                    | 1    |     |
| 11   | 506328701 | Y-TUBE            |                              | 2    |     |
| 12   | 506295601 | NIPPLE            |                              | 1    |     |
| 13   | 506095824 | HOSE              | 800 mm                       | 1    |     |
| 14   | 503266002 | COUPLER           |                              | 1    |     |

**B** K960



| REF. | PART NO.  | DESCRIPTION    | REMARK                | QTY. | KIT |
|------|-----------|----------------|-----------------------|------|-----|
| 1    | 506266401 | SCREEN         |                       | 1    |     |
| 2    | 506266302 | LINING         |                       | 1    |     |
| 3    | 506266501 | FLANGE         |                       | 1    |     |
| 4    | 725532955 | SCREW IHSCM    |                       | 3    |     |
| 5    | 506324801 | SUPPORT FLANGE |                       | 3    |     |
| 6    | 506028701 | FLANGE WASHER  | Diam 105              | 1    |     |
| 6    | 506070901 | FLANGE WASHER  | Diam 116              | 1    |     |
| 7    | 506379620 | KIT            | Diam 20               | 1    |     |
| 7    | 506379622 | BUSHING        | Diam 22,2             | 1    |     |
| 7    | 506379625 | KIT            | Diam 25               | 1    |     |
| 7    | 506028830 | BUSHING        | Diam 30,5             | 1    |     |
| 8    | 725533155 | SCREW IHSCM    |                       | 1    |     |
| 9    | 506344602 | HANDLE         |                       | 1    |     |
| 10   | 506340502 | WHEEL GUARD    | "12". Incl. 2. 9. 10" | 1    |     |
| 10   | 506340504 | WHEEL GUARD    | "14". Incl. 2. 9. 10" | 1    |     |
| 10   | 506340506 | GUARD          | "16". Incl. 2. 9. 10" | 1    |     |
| 11   | 506284104 | LABEL          | "12". Diam 1""        | 1    |     |
| 11   | 506284102 | LABEL          | "12". Diam 20 mm"     | 1    |     |
| 11   | 506284114 | LABEL          | "14". Diam 1""        | 1    |     |
| 11   | 506284112 | LABEL          | "14". Diam 20 mm"     | 1    |     |
| 11   | 506284124 | LABEL          | "16". Diam 1""        | 1    |     |
| 11   | 506284122 | LABEL          | "16". Diam 20 mm"     | 1    |     |