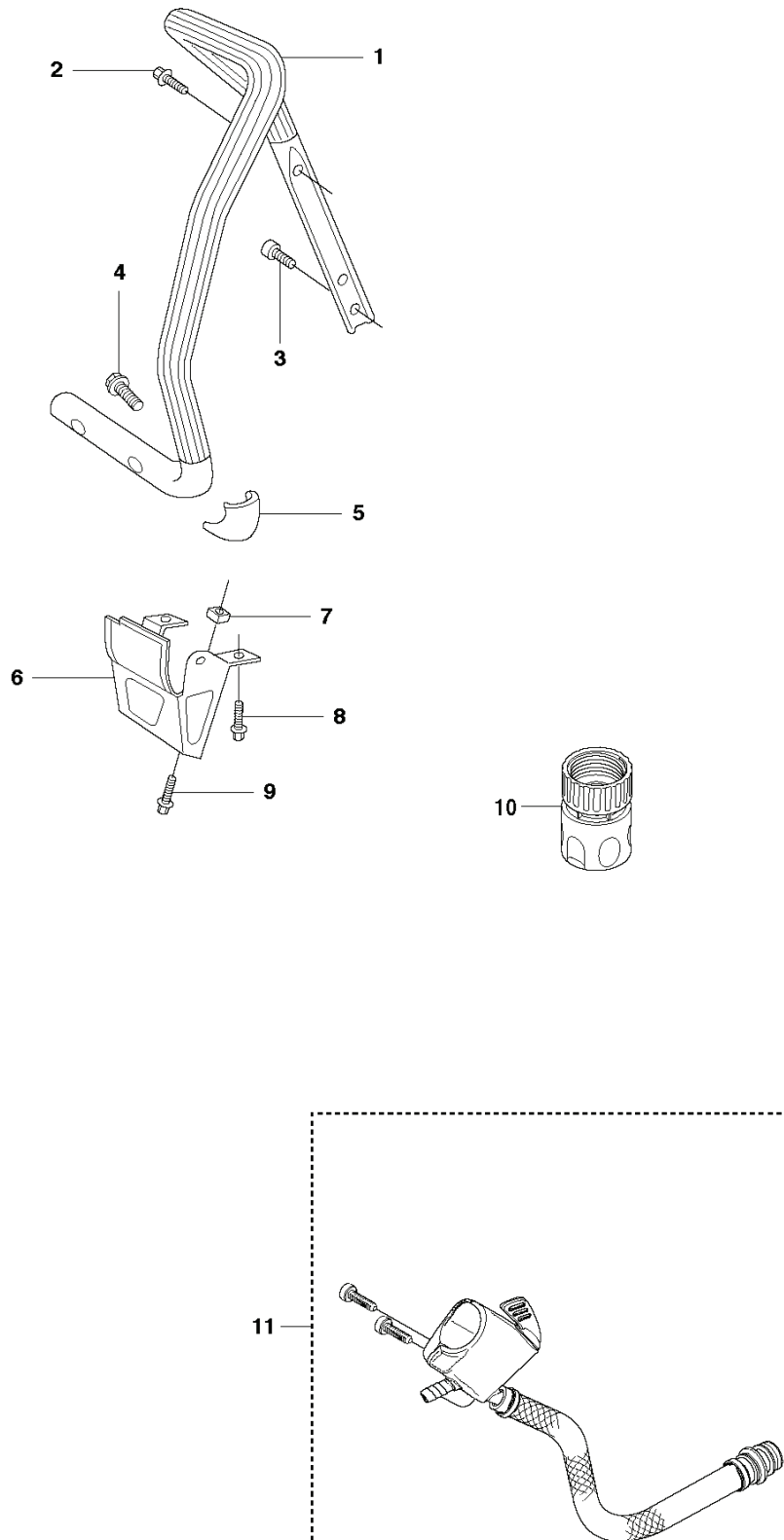


K1250 Active, 2010-02

---

# **SPARE PARTS LIST**

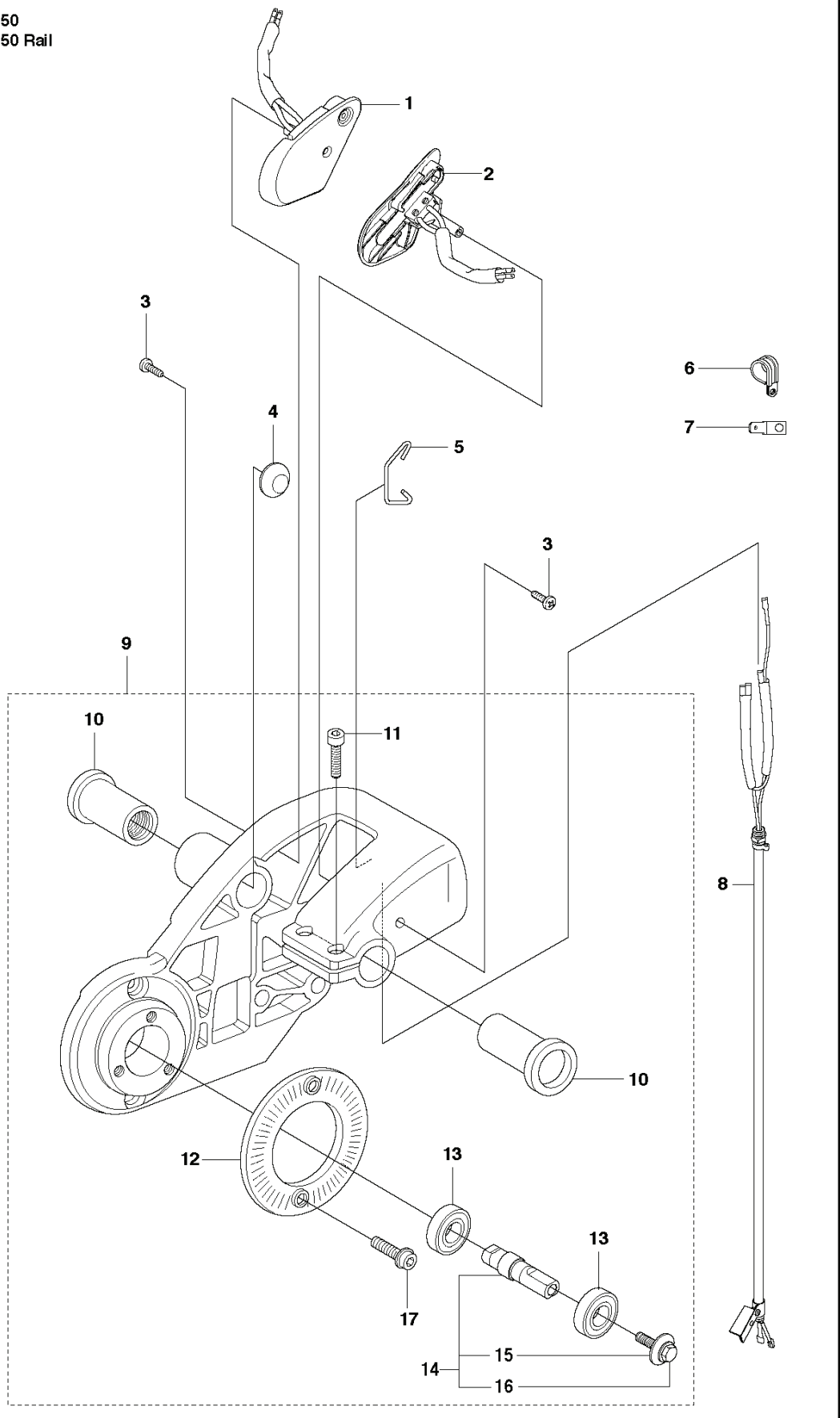
**G** K1250  
K1250 Rail



---

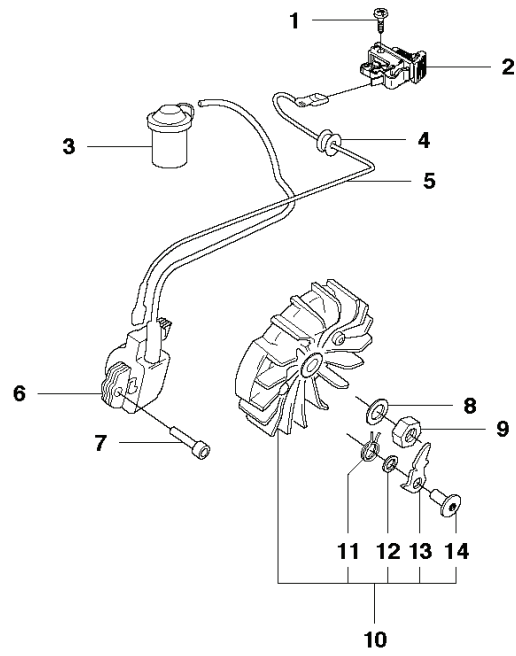
| REF. | PART NO.  | DESCRIPTION    | REMARK | QTY. | KIT |
|------|-----------|----------------|--------|------|-----|
| 1    | 506255302 | HANDLE         |        | 1    |     |
| 2    | 503200210 | SCREW IHSCFM   |        | 1    |     |
| 3    | 503210525 | SCREW IHST     |        | 2    |     |
| 4    | 503210632 | SCREW IHST     |        | 4    |     |
| 5    | 506149001 | SUPPORT        |        | 1    |     |
| 6    | 506250101 | GROUND SUPPORT |        | 1    |     |
| 7    | 503226504 | SQUARE NUT     |        | 2    |     |
| 8    | 725537055 | SCREW IHSCM    |        | 2    |     |
| 9    | 503200312 | SCREW IHSCFM   |        | 2    |     |
| 10   | 503266003 | COUPLER        |        | 1    |     |
| 10   | 503266004 | COUPLER        |        | 1    |     |
| 11   | 505095502 | HOSE KIT       |        | 1    |     |

**R** K1250  
K1250 Rail



| REF. | PART NO.  | DESCRIPTION     | REMARK                                    | QTY. | KIT |
|------|-----------|-----------------|---|------|-----|
| 1    | 506359104 | STOP SWITCH     | RH  | 1    |     |
| 2    | 506359103 | STOP SWITCH     | LH  | 1    |     |
| 3    | 729532771 | SCREW CRPANT    |   | 2    |     |
| 4    | 506359601 | SPACING BLOCK   |   | 1    |     |
| 6    | 506358001 | BRACKET         |   | 1    |     |
| 7    | 535039401 | CONNECTION      |   | 1    |     |
| 8    | 506359001 | WIRING          |   | 1    |     |
| 9    | 544887501 | BEARING HOUSING | "14"" Rail"                               | 1    |     |
| 9    | 544887502 | BEARING HOUSING | "14"" Rail Stop Switch, Incl.<br>10 - 14" | 1    |     |
| 9    | 544887503 | BEARING HOUSING | "16"" Rail"                               | 1    |     |
| 9    | 544887504 | BEARING HOUSING | "16"" Rail Stop Switch, Incl.<br>10 - 14" | 1    |     |
| 9    | 544887511 | BEARING HOUSING | "16"" Rail, USA only"                     | 1    |     |
| 10   | 506227501 | SLEEVE          |   | 2    |     |
| 11   | 503200216 | SCREW IHSCFM    |   | 2    |     |
| 12   | 506288401 | SCREEN          |   | 1    |     |
| 13   | 503252101 | BALL BEARING    |   | 2    |     |
| 14   | 506298365 | SHAFT           | Incl. 15 - 16                             | 1    |     |
| 15   | 506139511 | WASHER          |   | 1    |     |
| 16   | 506139601 | SCREW EHHFM     |   | 1    |     |
| 17   | 503200712 | SCREW IHSCFM    |   | 1    |     |

**K** K1250  
K1250 Rail



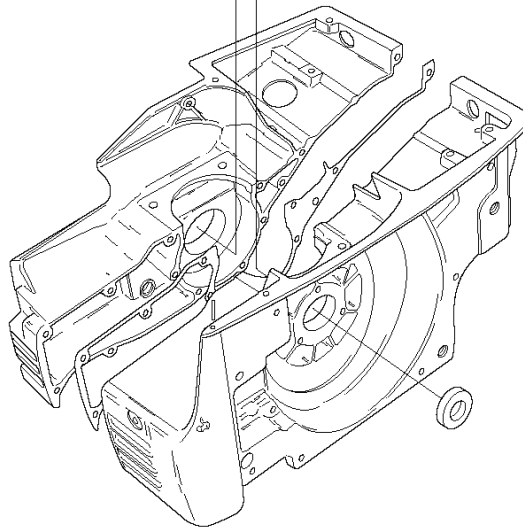
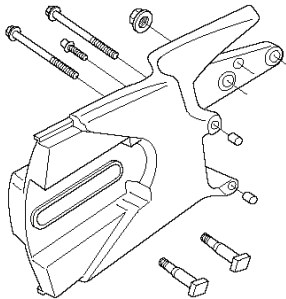
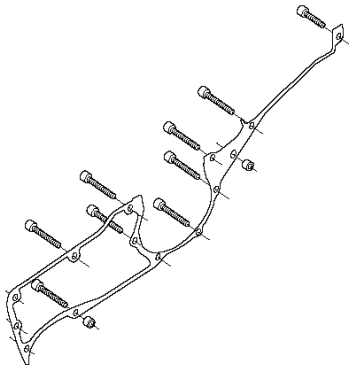
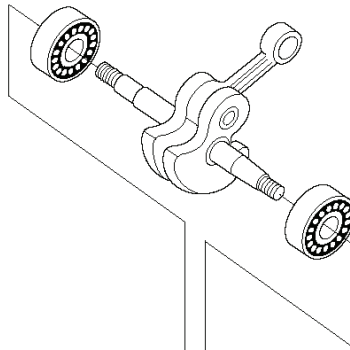
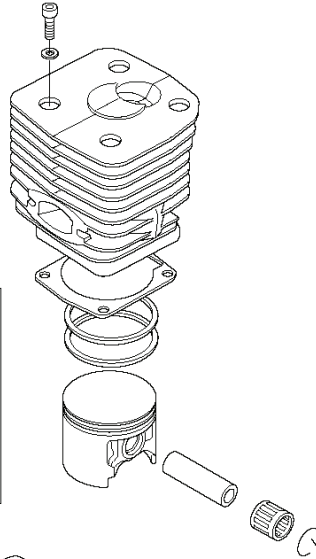
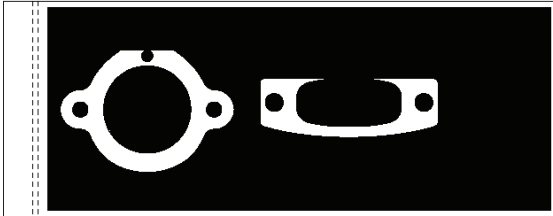
---

| REF. | PART NO.  | DESCRIPTION     | REMARK        | QTY. | KIT |
|------|-----------|-----------------|---------------|------|-----|
| 1    | 503219008 | SCREW CCRPANM   |               | 1    |     |
| 2    | 506318602 | STOP SWITCH     |               | 1    |     |
| 3    | 501485402 | SPARK PLUG CAP  |               | 1    |     |
| 4    | 503132401 | CABLE GROMMET   |               | 1    |     |
| 5    | 501839803 | CABLE           |               | 1    |     |
| 6    | 544018801 | IGNITION SYSTEM |               | 1    |     |
| 7    | 503202520 | SCREW IHSCM     |               | 1    |     |
| 8    | 735117350 | SPRING WASHER   |               | 1    |     |
| 9    | 503221003 | HEXAGON NUT     |               | 1    |     |
| 10   | 501895003 | FLYWHEEL ASSY   | Incl. 11 - 14 | 1    |     |
| 11   | 501634801 | SPRING          |               | 2    |     |
| 12   | 503230042 | WASHER          |               | 2    |     |
| 13   | 501673203 | PAWL            |               | 2    |     |
| 14   | 501819901 | SCREW           |               | 2    |     |



**S** K1250  
K1250 Rail

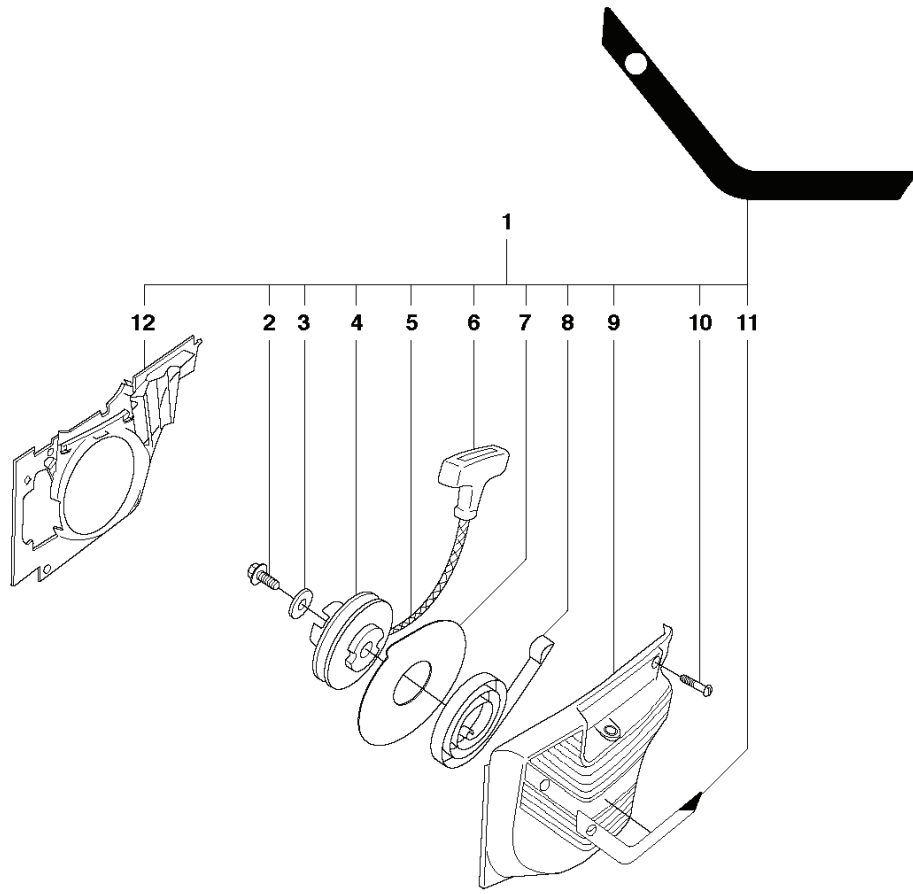
1



---

| REF. | PART NO.  | DESCRIPTION    | REMARK | QTY. | KIT |
|------|-----------|----------------|--------|------|-----|
| 1    | 544904403 | CRANKCASE ASSY |        | 1    |     |

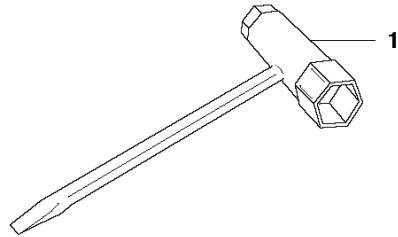
**J** K1250  
K1250 Rail



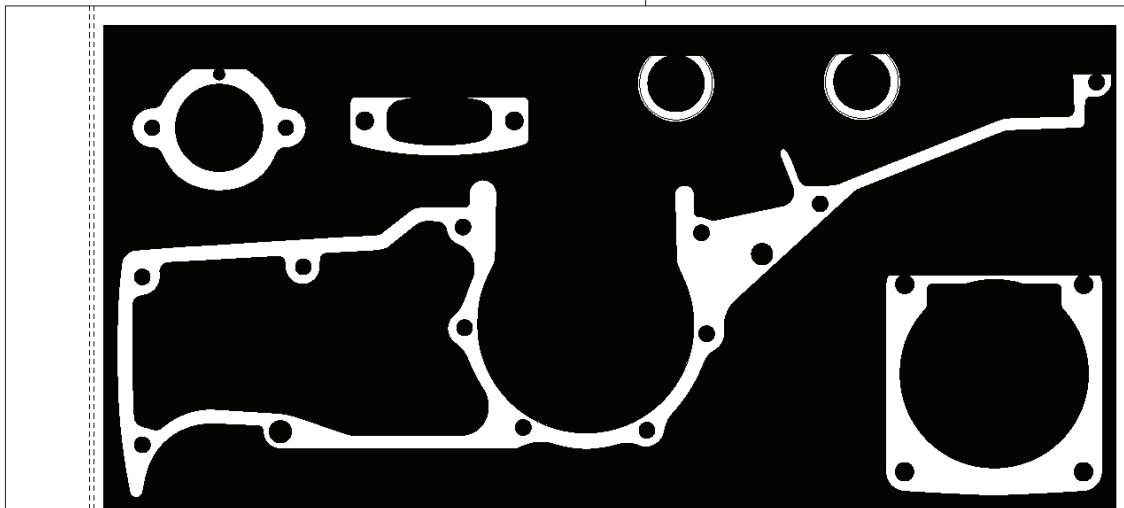
---

| REF. | PART NO.  | DESCRIPTION    | REMARK                 | QTY. | KIT |
|------|-----------|----------------|------------------------|------|-----|
| 1    | 506275503 | STARTER        | Incl. 2-12             | 1    |     |
| 2    | 503210616 | SCREW IH SCT   |                        | 1    |     |
| 3    | 503234302 | WASHER         |                        | 1    |     |
| 4    | 501896701 | STARTER PULLEY |                        | 1    |     |
| 5    | 506335625 | STARTER ROPE   |                        | 1    |     |
| 6    | 503127901 | STARTER HANDLE |                        | 1    |     |
| 7    | 503743601 | DISC           |                        | 1    |     |
| 8    | 503135001 | RECOIL SPRING  |                        | 1    |     |
| 9    | 506255802 | STARTER COVER  |                        | 1    |     |
| 10   | 501981005 | SCREW ITXSCM   |                        | 4    |     |
| 11   | 544873501 | LABEL          |                        | 1    |     |
| 12   | 501895902 | AIR CONDUCTOR  | K1250 A                | 1    |     |
| 12   | 501895903 | AIR CONDUCTOR  | K1250 Rail Stop Switch | 1    |     |

**P** K1250  
K1250 Rail  
**Accessories**  
**Zubehöre**  
**Accessoires**  
**Accesorios**  
**Tillbehör**



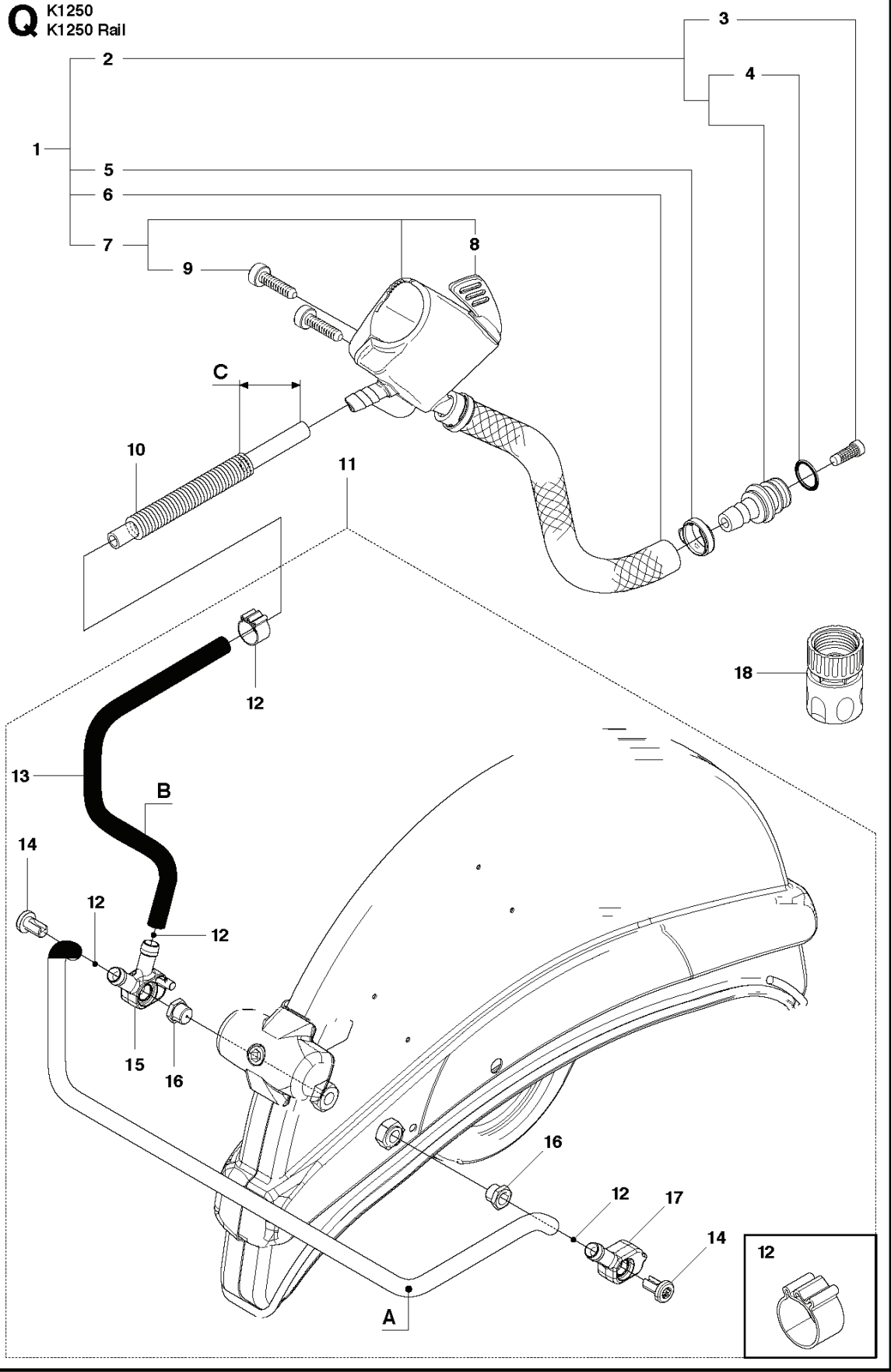
2



---

| REF. | PART NO.  | DESCRIPTION        | REMARK | QTY. | KIT |
|------|-----------|--------------------|--------|------|-----|
| 1    | 501691702 | COMBINATION WRENCH |        | 1    |     |
| 2    | 506292402 | GASKET KIT         |        | 1    |     |
| 3    | 506274301 | GASKET             |        | 1    |     |
| 4    | 503131304 | GASKET             |        | 1    |     |
| 5    | 503260205 | SEALING RING       |        | 2    |     |
| 6    | 503134501 | CRANKCASE          |        | 1    |     |
| 7    | 503134601 | GASKET             |        | 1    |     |

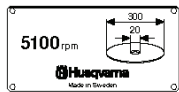
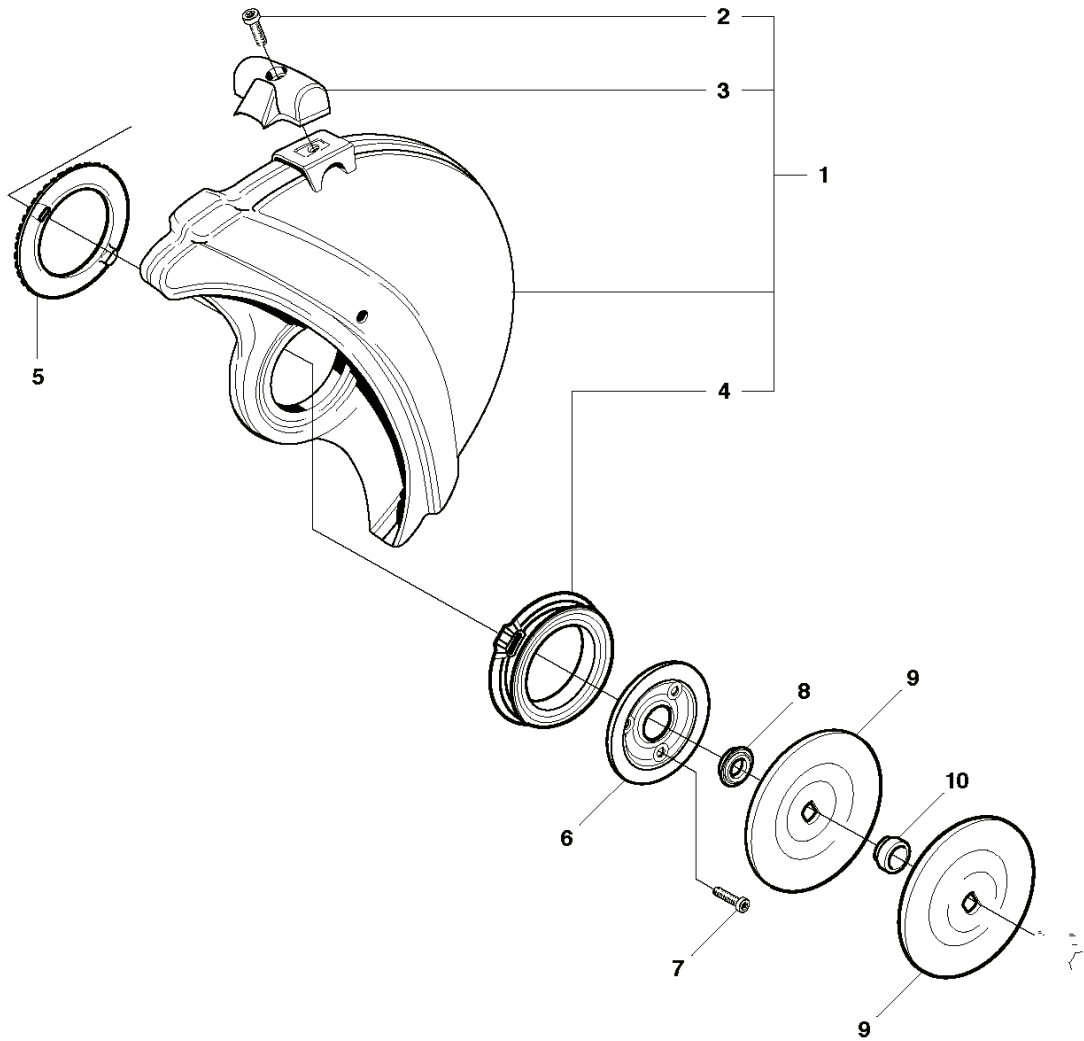
**Q** K1250  
K1250 Rail



| REF. | PART NO.  | DESCRIPTION       | REMARK       | QTY. | KIT |
|------|-----------|-------------------|--------------|------|-----|
| 1    | 505095502 | HOSE KIT          | Incl. 2, 5-7 | 1    |     |
| 2    | 506295702 | NIPPLE            | Incl. 3, 4   | 1    |     |
| 3    | 506298801 | FILTER            |              | 1    |     |
| 4    | 505103501 | O-RING            |              | 1    |     |
| 5    | 506498702 | HOSE CLAMP        |              | 1    |     |
| 6    | 506607501 | HOSE              | L=230 mm     | 1    |     |
| 7    | 506317731 | VALVE ASSY        | Incl. 8      | 1    |     |
| 8    | 576032901 | VALVE SPINDLE     |              | 1    |     |
| 9    | 503210619 | SCREW IHST        |              | 2    |     |
| 10   | 506352701 | PROTECTIVE SPRING |              | 1    |     |
| 11   | 505095401 | HOSE KIT          |              | 1    |     |
| 12   | 506498701 | HOSE CLAMP        |              | 4    |     |
| 13   | 506606866 | HOSE              | L=270mm      | 1    |     |
| 14   | 504634601 | SCREWITXSCM       |              | 2    |     |
| 15   | 504634401 | HOUSING           |              | 1    |     |
| 16   | 504634201 | NIPPLE            |              | 2    |     |
| 17   | 504634501 | HOUSING           |              | 1    |     |
| 18   | 503266003 | COUPLER           | USA, Canada  | 1    |     |
| 18   | 503266004 | COUPLER           |              | 1    |     |



**B** K1250  
K1250 Rail



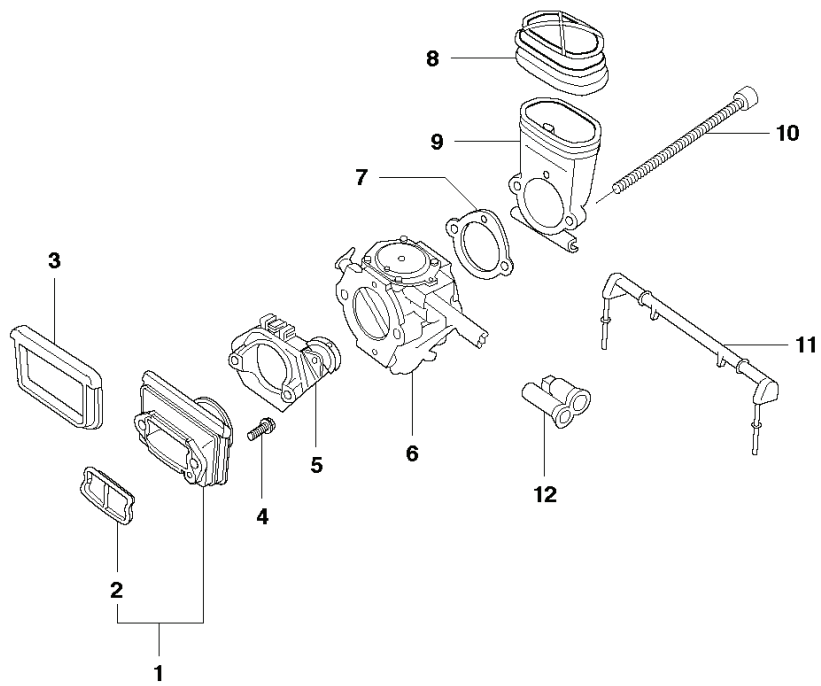
11



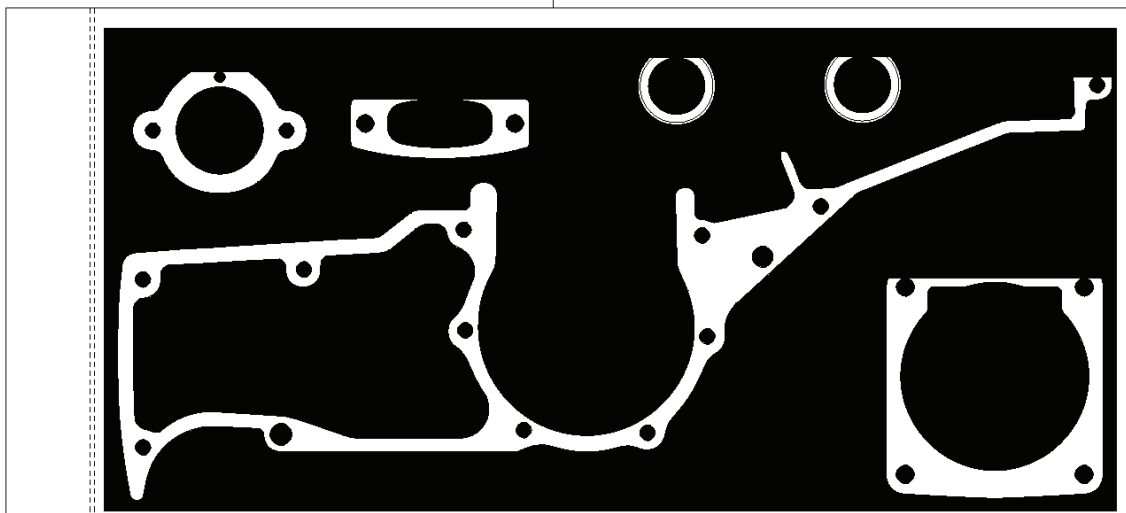
12

| REF. | PART NO.  | DESCRIPTION      | REMARK               | QTY. | KIT |
|------|-----------|------------------|----------------------|------|-----|
| 1    | 506340504 | WHEEL GUARD      | "14""                | 1    |     |
| 1    | 506340506 | GUARD            | "16""                | 1    |     |
| 1    | 506340524 | WHEEL GUARD ASSY | "Rail 14""           | 1    |     |
| 1    | 506340526 | WHEEL GUARD      | "Rail 16""           | 1    |     |
| 2    | 725533155 | SCREW IHSCM      |                      | 1    |     |
| 3    | 506344602 | HANDLE           |                      | 1    |     |
| 4    | 506266302 | LINING           |                      | 1    |     |
| 5    | 506266401 | SCREEN           |                      | 1    |     |
| 6    | 506266501 | FLANGE           |                      | 1    |     |
| 7    | 725532955 | SCREW IHSCM      |                      | 3    |     |
| 8    | 506324801 | SUPPORT FLANGE   | K1250 A              | 1    |     |
| 8    | 506267101 | SUPPORT FLANGE   | K1250 Rail           | 1    |     |
| 9    | 506028701 | FLANGE WASHER    | Diam 105 mm          | 1    |     |
| 9    | 506070901 | FLANGE WASHER    | Diam 119 mm          | 1    |     |
| 10   | 506379620 | KIT              | Diam 20 mm           | 1    |     |
| 10   | 506379622 | BUSHING          | Diam 22,2 mm         | 1    |     |
| 10   | 506379625 | KIT              | Diam 25 mm           | 1    |     |
| 10   | 506028830 | BUSHING          | Diam 30,5 mm         | 1    |     |
| 11   | 506284112 | LABEL            | "14"". Diam 20mm"    | 1    |     |
| 11   | 506284111 | LABEL            | "14"". Diam 22,2 mm" | 1    |     |
| 11   | 506284114 | LABEL            | "14"". Diam 25,4mm"  | 1    |     |
| 11   | 506284122 | LABEL            | "16"". Diam 20mm"    | 1    |     |
| 11   | 506284121 | LABEL            | "16"". Diam 22,2mm"  | 1    |     |
| 11   | 506284124 | LABEL            | "16"". Diam 25,4mm"  | 1    |     |
| 12   | 576121002 | DECAL            | "Japan, 14""         | 1    |     |
| 12   | 576121003 | DECAL            | "Japan, 16""         | 1    |     |

**M** K1250  
K1250 Rail

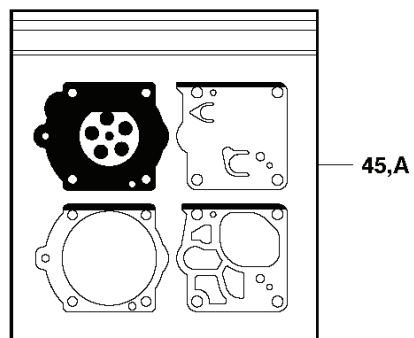
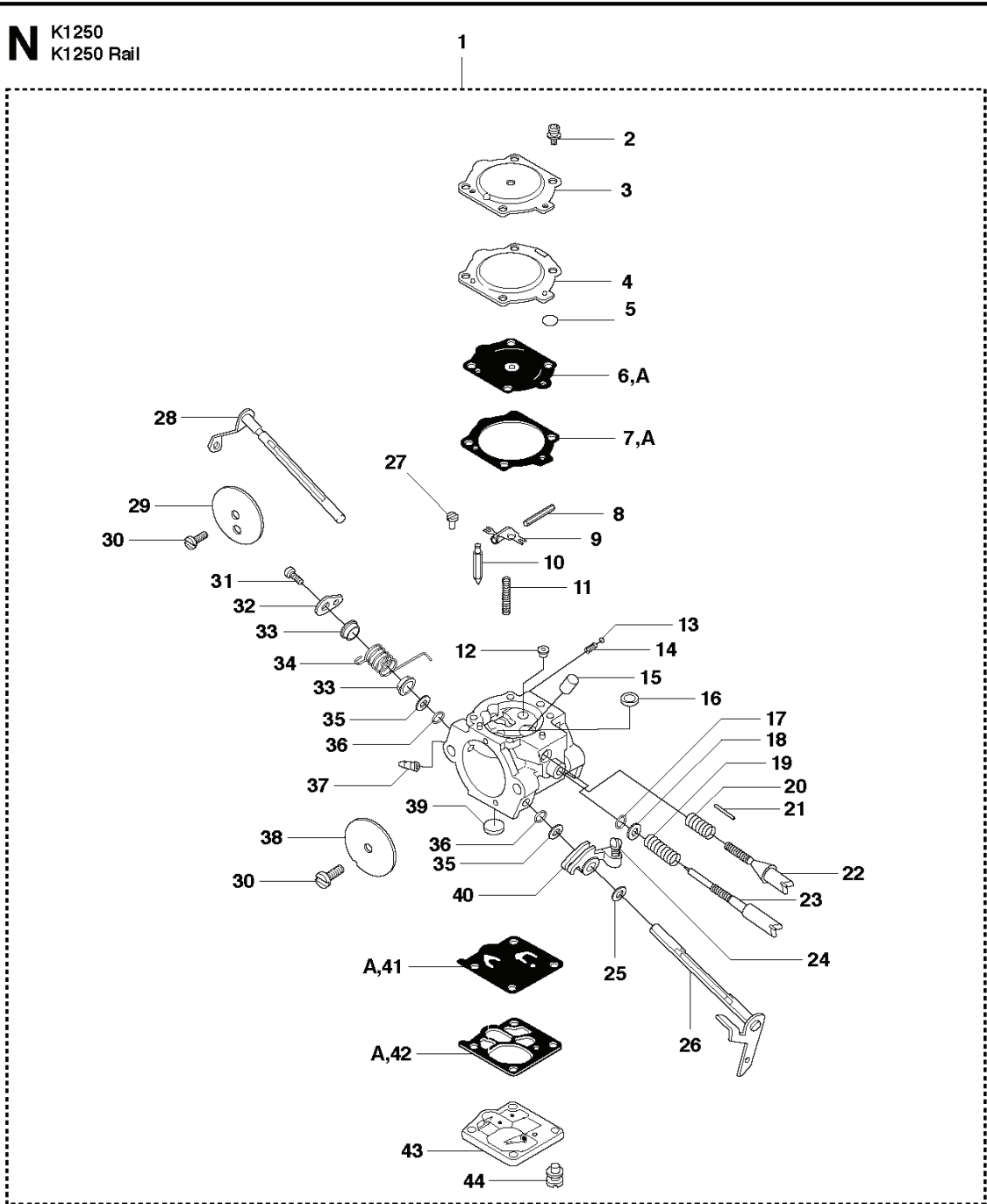


13



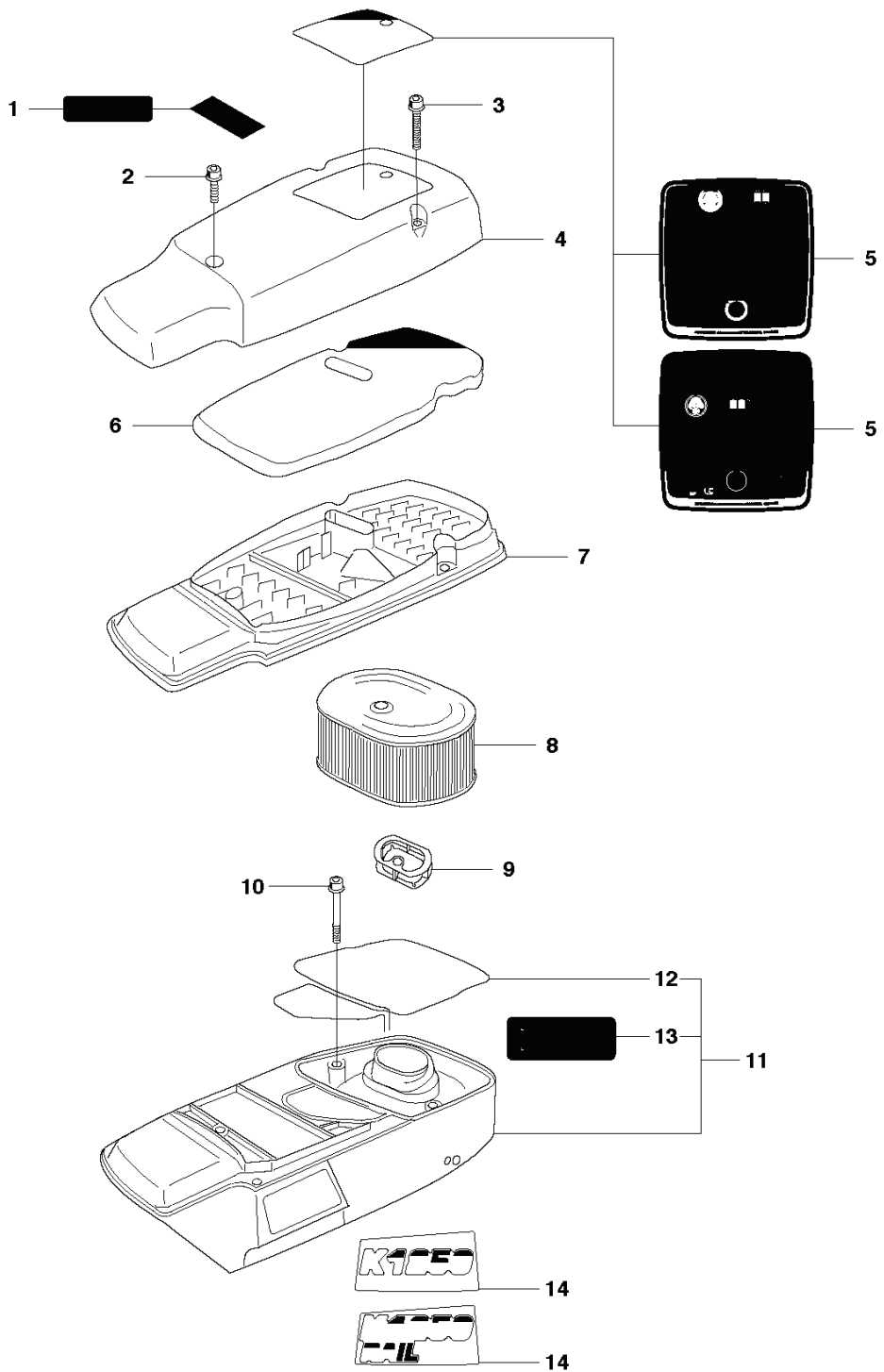
| REF. | PART NO.  | DESCRIPTION  | REMARK           | QTY. | KIT |
|------|-----------|--------------|------------------|------|-----|
| 1    | 506275202 | FLANGE       | Incl. 2          | 1    |     |
| 2    | 506313801 | INSERT       |                  | 1    |     |
| 3    | 503143701 | SEALING      |                  | 1    |     |
| 4    | 503200220 | SCREW IHSCFM |                  | 1    |     |
| 5    | 506289701 | FLANGE       |                  | 1    |     |
| 6    | 503281217 | CARBURETTOR  |                  | 1    |     |
| 7    | 506274301 | GASKET       | Gasket kit 13    | 1    |     |
| 8    | 506250201 | BELLOWS      |                  | 1    |     |
| 9    | 506241301 | INLET BEND   |                  | 1    |     |
| 10   | 503217565 | SCREW IHSCFT |                  | 2    |     |
| 11   | 506250401 | SUPPORT      |                  | 1    |     |
| 12   | 506254601 | CHISEL GUIDE |                  | 1    |     |
| 13   | 506292402 | GASKET KIT   | Incl. 7, 14 - 17 | 1    |     |
| 14   | 503131304 | GASKET       |                  | 1    |     |
| 15   | 503260205 | SEALING RING |                  | 2    |     |
| 16   | 503134501 | CRANKCASE    |                  | 1    |     |
| 17   | 503134601 | GASKET       |                  | 1    |     |

**N** K1250  
K1250 Rail



| REF. | PART NO.  | DESCRIPTION          | REMARK | QTY. | KIT |
|------|-----------|----------------------|--------|------|-----|
| 1    | 503281217 | CARBURETTOR          |        | 1    |     |
| 2    | 537003101 | SCREW                |        | 1    |     |
| 3    | 501692801 | COVER                |        | 1    |     |
| 4    | 537002901 | COVER                |        | 1    |     |
| 5    | 537002801 | RING                 |        | 1    |     |
| 6    | 503632801 | DIAPHRAGM ASSY       | Kit 45 | 1    |     |
| 7    | 501467501 | GASKET               | Kit 45 | 1    |     |
| 8    | 505316731 | PIN                  |        | 1    |     |
| 9    | 505316734 | LEVER                |        | 1    |     |
| 10   | 503563401 | NEEDLE VALVE         |        | 1    |     |
| 11   | 505316723 | SPRING               |        | 1    |     |
| 13   | 501468501 | BALL                 |        | 1    |     |
| 14   | 501468401 | SPRING               |        | 1    |     |
| 15   | 503976601 | NOZZLE ASSY          |        | 1    |     |
| 16   | 503574201 | PLUG                 |        | 1    |     |
| 17   | 503595501 | O-RING               |        | 1    |     |
| 18   | 503597201 | WASHER               |        | 1    |     |
| 19   | 505316737 | SPRING               |        | 1    |     |
| 20   | 503633101 | SPRING               |        | 1    |     |
| 21   | 503526001 | PIN THROTTLE STOP    |        | 1    |     |
| 22   | 503632901 | SCREW IDLE SPEED     |        | 1    |     |
| 23   | 503633201 | NEEDLE IDLE SPEED    |        | 1    |     |
| 24   | 503596501 | SCREW                |        | 1    |     |
| 25   | 506028301 | WASHER               |        | 1    |     |
| 26   | 503595901 | SHAFT ASSY           |        | 1    |     |
| 27   | 505316717 | SCREW                |        | 1    |     |
| 28   | 537003001 | SHAFT ASSY           |        | 1    |     |
| 29   | 503525801 | VALVE CHOKE          |        | 1    |     |
| 30   | 530035015 | SCREW                |        | 2    |     |
| 31   | 503192201 | SCREW PAN HD(M2.5X5) |        | 1    |     |
| 32   | 503595601 | LEVER                |        | 1    |     |
| 33   | 502103101 | BUSHING              |        | 2    |     |
| 34   | 503525901 | SPRING THROTT RETURN |        | 1    |     |
| 35   | 505316748 | WASHER               |        | 2    |     |
| 36   | 503564501 | SEAL                 |        | 2    |     |
| 37   | 503598401 | FITTING              |        | 1    |     |
| 38   | 503632401 | VALVE THROTTLE       |        | 1    |     |
| 39   | 501666101 | SCREEN               |        | 1    |     |
| 40   | 503595701 | LEVER                |        | 1    |     |
| 41   | 503117301 | DIAPHRAGM PUMP       | Kit 45 | 1    |     |
| 42   | 503117201 | GASKET               | Kit 45 | 1    |     |
| 43   | 503595801 | COVER                |        | 1    |     |
| 44   | 503117501 | SCREW                |        | 1    |     |
| 45   | 503597402 | GASKET KIT           |        | 1    |     |

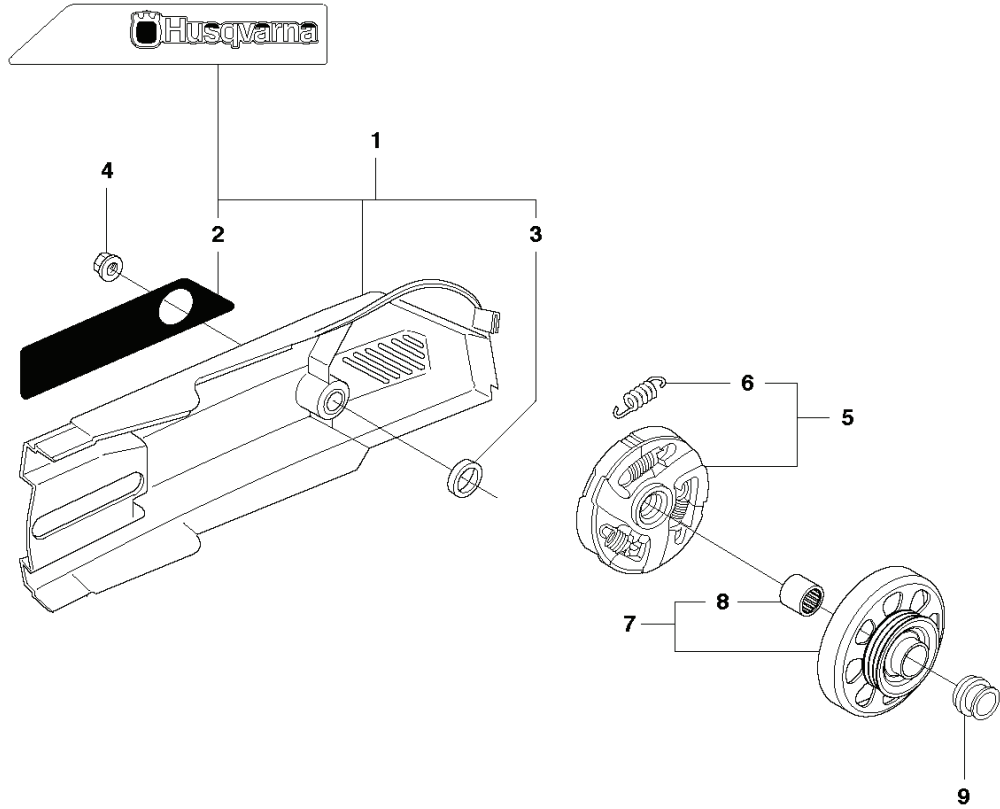
**L** K1250  
K1250 Rail



| REF. | PART NO.  | DESCRIPTION       | REMARK        | QTY. | KIT |
|------|-----------|-------------------|---------------|------|-----|
| 1    | 544874602 | LABEL             |               | 1    |     |
| 2    | 503203425 | SCREW CCRPANMO    |               | 1    |     |
| 3    | 503203455 | SCREW CCRPANMO    |               | 2    |     |
| 4    | 506255602 | FILTER COVER      |               | 1    |     |
| 5    | 505038903 | LABEL             | EPA USA       | 1    |     |
| 5    | 505038904 | LABEL             | EPA Canada    | 1    |     |
| 6    | 506268701 | PREFILTER         |               | 1    |     |
| 7    | 506255702 | FILTER BOTTOM     |               | 1    |     |
| 8    | 506231803 | LUFTFILTER PAPPER |               | 1    |     |
| 9    | 506250301 | INSERT            |               | 1    |     |
| 10   | 503200230 | SCREW IHSCFM      |               | 4    |     |
| 11   | 506275402 | CYLINDER COVER    | Incl. 12 - 13 | 1    |     |
| 12   | 506283930 | SEALING           |               | 1    |     |
| 13   | 544873801 | LABEL             |               | 1    |     |
| 14   | 544873903 | LABEL             | K1250         | 1    |     |
| 14   | 544873904 | LABEL             | K1250 Rail    | 1    |     |



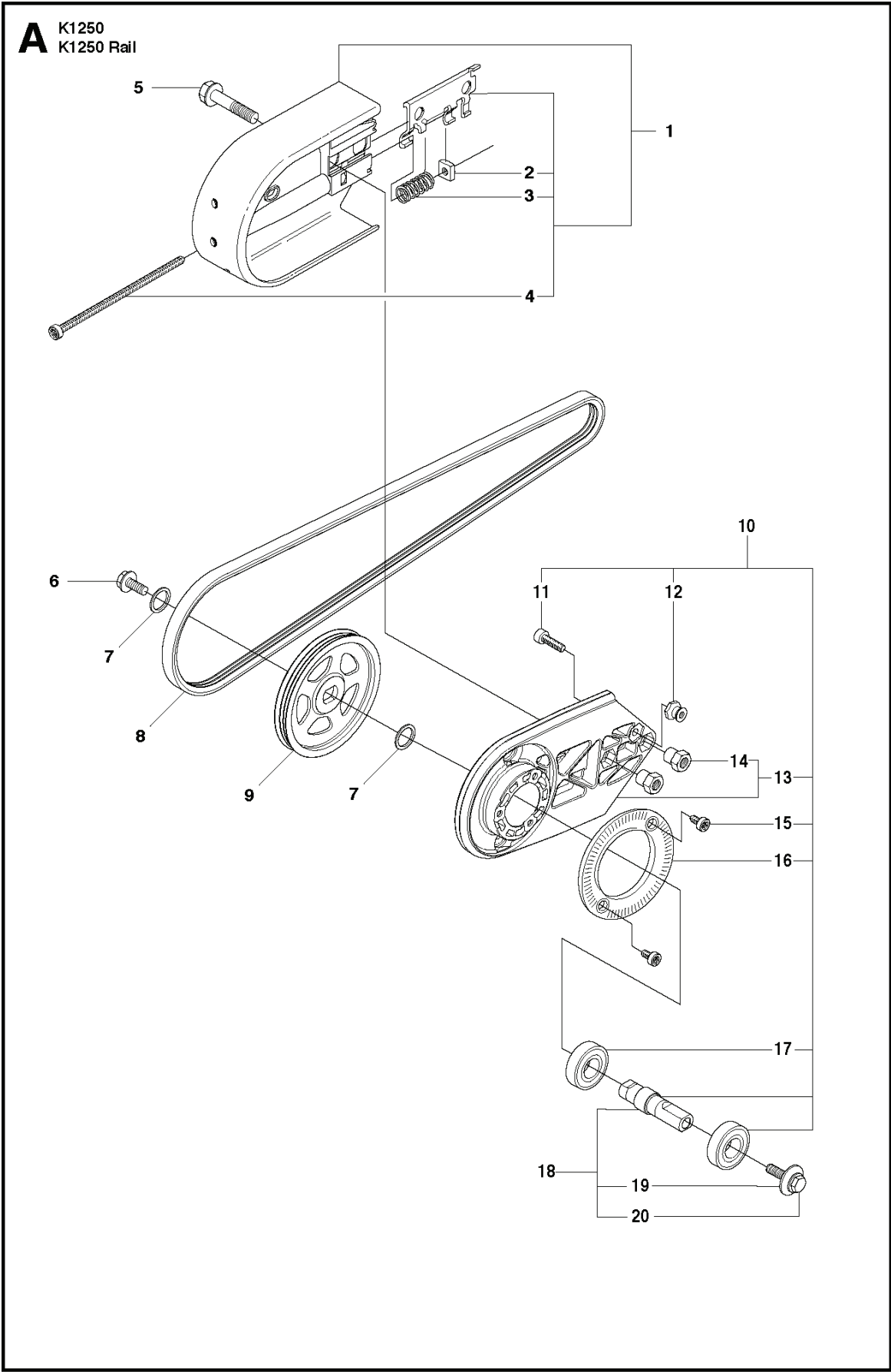
**C** K1250  
K1250 Rail



---

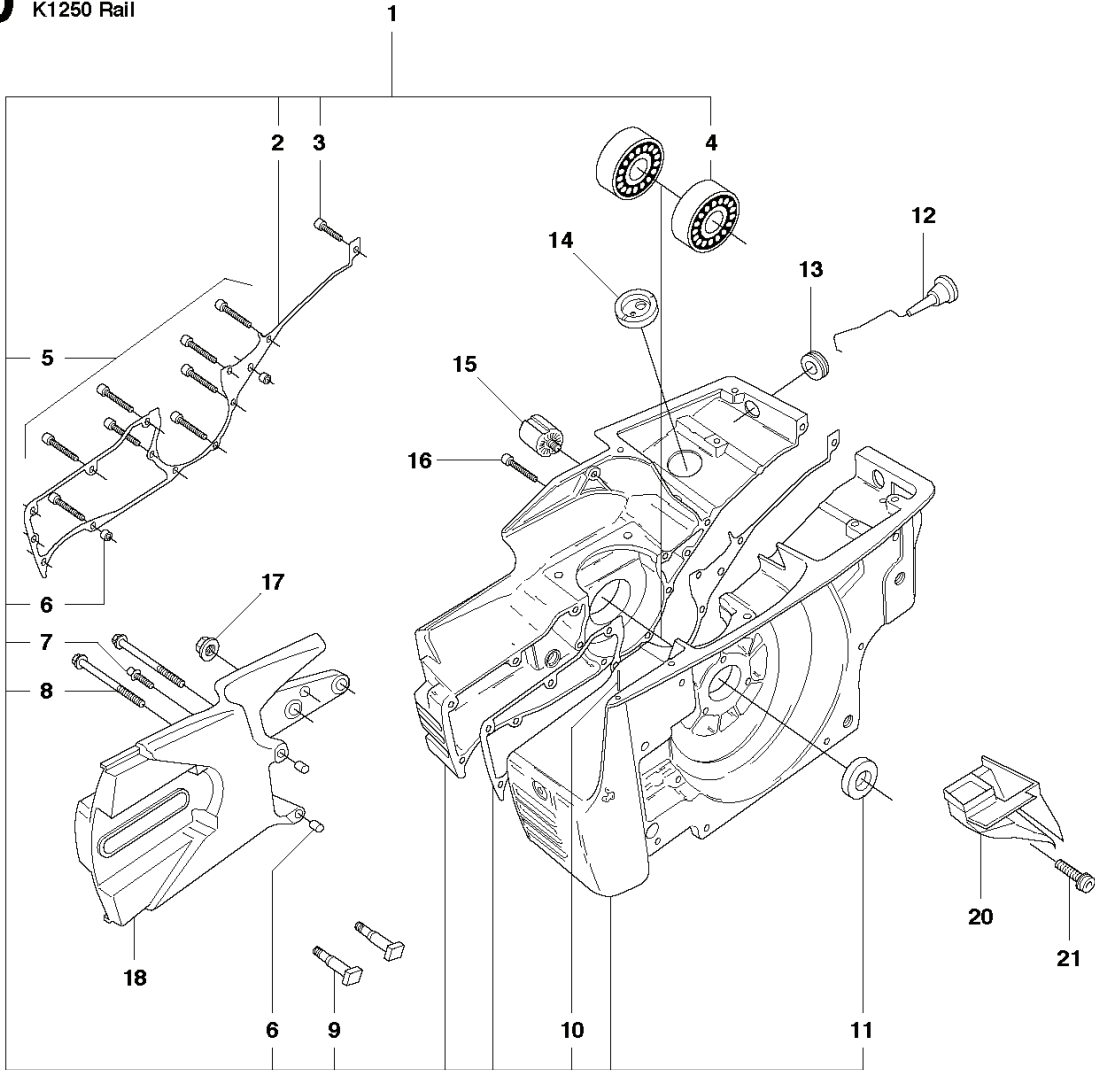
| REF. | PART NO.  | DESCRIPTION         | REMARK         | QTY. | KIT |
|------|-----------|---------------------|----------------|------|-----|
| 1    | 506271703 | BELT GUARD          | Incl. 2, 3     | 1    |     |
| 2    | 544873601 | LABEL               |                | 1    |     |
| 3    | 506268401 | SPACING SLEEVE      |                | 1    |     |
| 4    | 503220001 | HEXAGON NUT         |                | 1    |     |
| 5    | 503144901 | CLUTCH ASSY         | Incl. 6        | 1    |     |
| 6    | 503145101 | CLUTCH SPRING       |                | 3    |     |
| 7    | 540052801 | DRIVING PULLEY ASSY | "14". Incl. 8" | 1    |     |
| 7    | 540052803 | DRIVE SPROCKET      | "16". Incl. 8" | 1    |     |
| 8    | 503253801 | NEEDLE BEARING      |                | 1    |     |
| 9    | 506285901 | SPACING SLEEVE      |                | 1    |     |

**A** K1250  
K1250 Rail

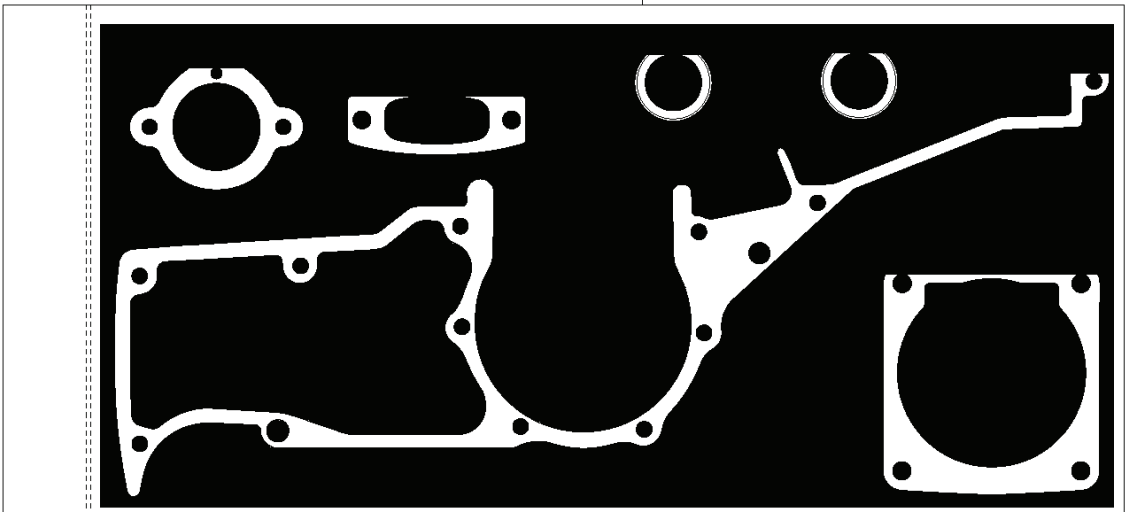


| REF. | PART NO.  | DESCRIPTION        | REMARK                  | QTY. | KIT |
|------|-----------|--------------------|-------------------------|------|-----|
| 1    | 506279202 | BELT GUARD         | Incl. 2 - 4             | 1    |     |
| 1    | 506279203 | BELT GUARD         | "Rail 14", Incl. 2 - 4" | 1    |     |
| 1    | 506279204 | BELT GUARD         | "Rail 16", Incl. 2 - 4" | 1    |     |
| 2    | 506409301 | NUT                |                         | 1    |     |
| 3    | 506266801 | COMPRESSION SPRING |                         | 1    |     |
| 4    | 503203011 | SCREW SLCHM        |                         | 1    |     |
| 5    | 506284401 | SCREW EHHFM        |                         | 2    |     |
| 6    | 503200045 | SCREW EHHFM        |                         | 1    |     |
| 7    | 503230104 | WASHER             |                         | 2    |     |
| 8    | 544976301 | BELT               | "14", "16", "Rail 14"   | 1    |     |
| 8    | 544976302 | BELT               | "Rail 16"               | 1    |     |
| 9    | 578110501 | PULLEY             |                         | 1    |     |
| 11   | 725532955 | SCREW IHSCM        |                         | 1    |     |
| 10   | 506394208 | BEARING HOUSING    | Incl. 11 - 13, 15 - 17  | 1    |     |
| 12   | 506143201 | NUT CAP            |                         | 1    |     |
| 13   | 506394206 | BEARING HOUSING    | Incl. 14                | 1    |     |
| 14   | 506287301 | NUT                |                         | 2    |     |
| 15   | 503200712 | SCREW IHSCFM       |                         | 2    |     |
| 16   | 506288401 | SCREEN             |                         | 1    |     |
| 17   | 583953301 | BALL BEARING       |                         | 2    |     |
| 18   | 506298365 | SHAFT              | Incl. 19-20             | 1    |     |
| 19   | 506139511 | WASHER             |                         | 1    |     |
| 20   | 506139601 | SCREW EHHFM        |                         | 1    |     |

**D** K1250  
K1250 Rail

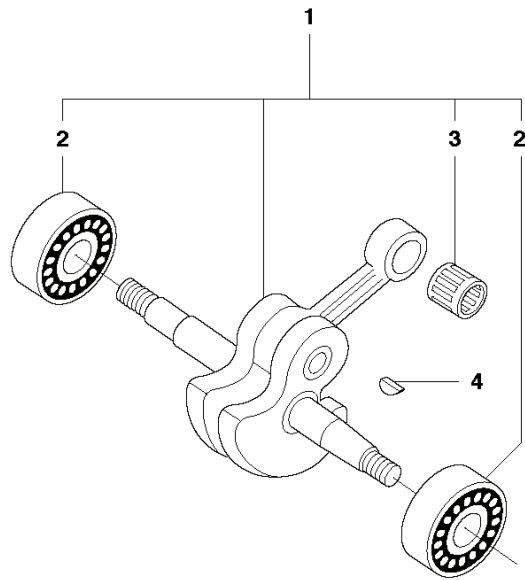


22



| REF. | PART NO.  | DESCRIPTION           | REMARK        | QTY. | KIT |
|------|-----------|-----------------------|---------------|------|-----|
| 1    | 501892572 | CRANKCASE             | Incl. 2-11    | 1    |     |
| 2    | 503134501 | CRANKCASE             | Gasket kit 22 | 1    |     |
| 3    | 725533155 | SCREW IHSCM           |               | 3    |     |
| 4    | 503250002 | BALL BEARING          |               | 2    |     |
| 5    | 725533955 | SCREW IHSCM           |               | 9    |     |
| 6    | 501270801 | GUIDE BUSHING         |               | 4    |     |
| 7    | 503200220 | SCREW IHSCFM          |               | 1    |     |
| 8    | 503200265 | SCREW IHSCFM          |               | 2    |     |
| 9    | 501815701 | BAR BOLT              |               | 2    |     |
| 10   | 721420600 | SPRING PIN            |               | 1    |     |
| 11   | 503260205 | SEALING RING          | Gasket kit 22 | 2    |     |
| 12   | 506254301 | CHOKE CONTROL         |               | 1    |     |
| 13   | 503145402 | GROMMET               |               | 1    |     |
| 14   | 503132001 | GROMMET               |               | 1    |     |
| 15   | 501269704 | ANTIVIBRATION ELEMENT |               | 1    |     |
| 16   | 725537055 | SCREW IHSCM           |               | 1    |     |
| 17   | 503220001 | HEXAGON NUT           |               | 1    |     |
| 18   | 506241402 | CUTTER ARM            |               | 1    |     |
| 20   | 506237001 | AIR NOZZLE            |               | 1    |     |
| 21   | 503200212 | SCREW IHSCFM          |               | 1    |     |
| 22   | 506292402 | GASKET KIT            |               | 1    |     |
| 23   | 506274301 | GASKET                |               | 1    |     |
| 24   | 503131304 | GASKET                |               | 1    |     |
| 25   | 503134601 | GASKET                |               | 1    |     |

**F** K1250  
K1250 Rail

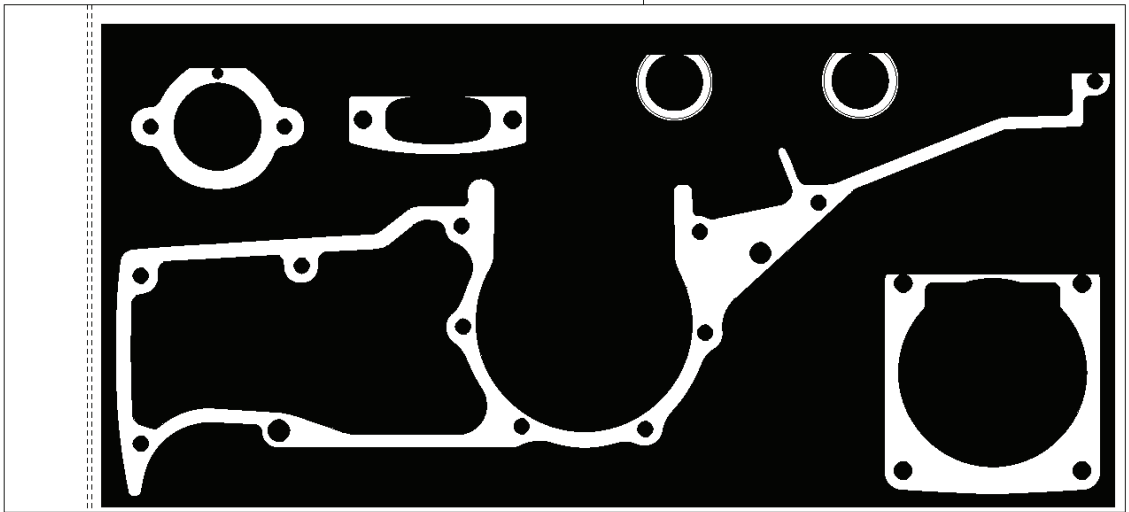
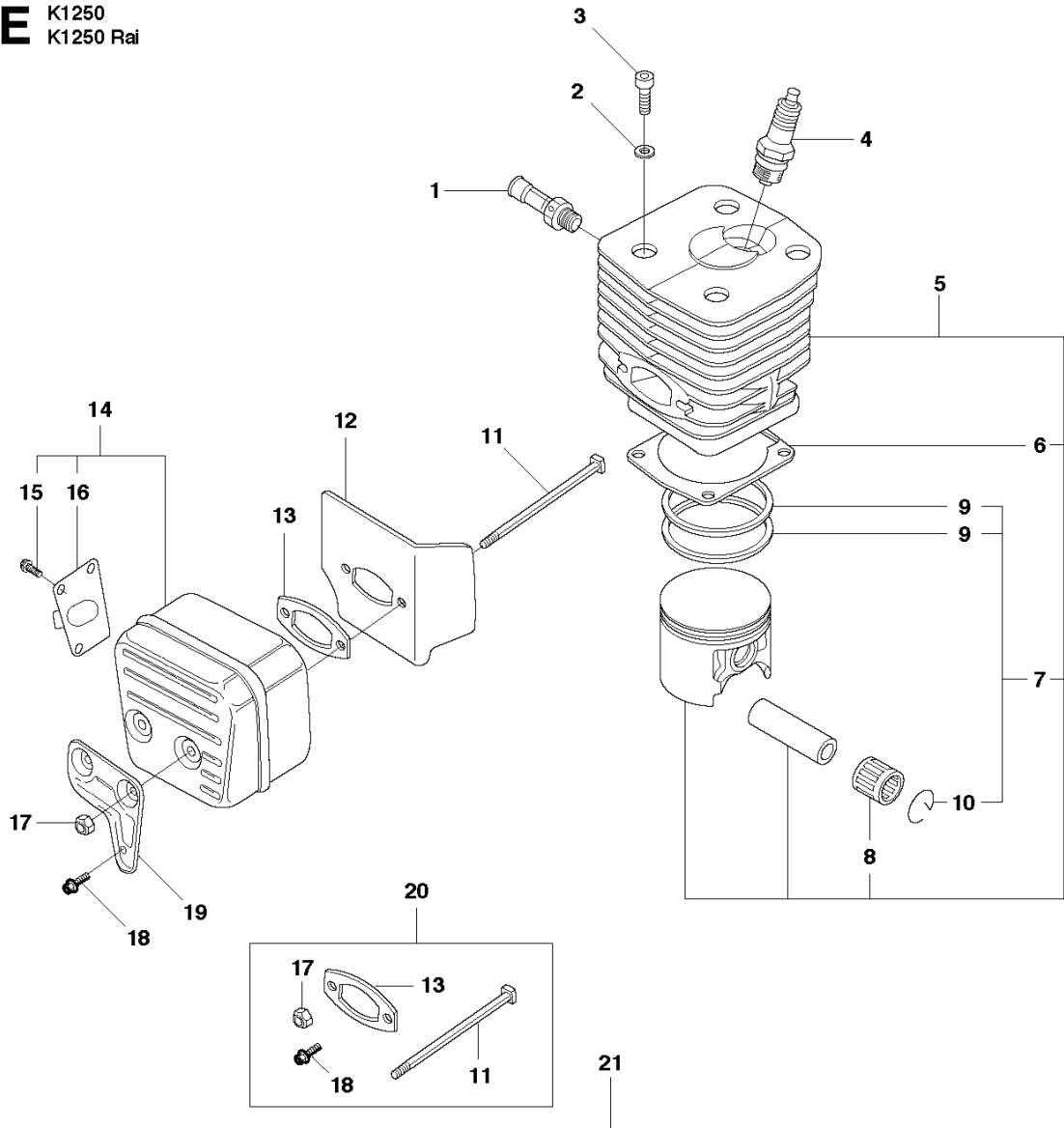


---

| REF. | PART NO.  | DESCRIPTION     | REMARK     | QTY. | KIT |
|------|-----------|-----------------|------------|------|-----|
| 1    | 503142074 | CRANKSHAFT ASSY | Incl. 2, 3 | 1    |     |
| 2    | 503250002 | BALL BEARING    |            | 2    |     |
| 3    | 503132901 | NEEDLE HOLDER   |            | 1    |     |
| 4    | 735880600 | WOODRUFF KEY    |            | 1    |     |

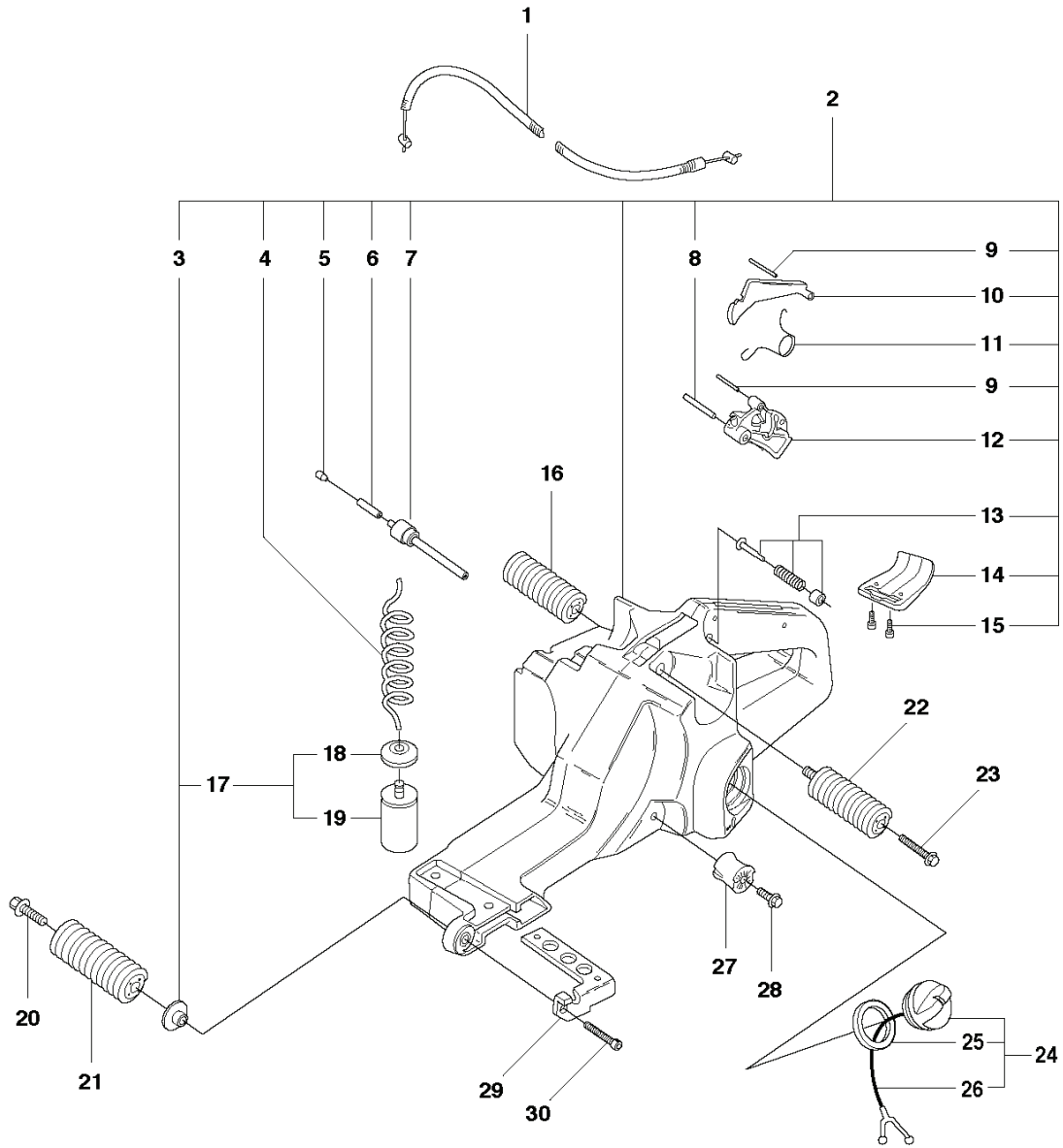


**E** K1250  
K1250 Rai



| REF. | PART NO.  | DESCRIPTION           | REMARK               | QTY. | KIT |
|------|-----------|-----------------------|----------------------|------|-----|
| 1    | 503665601 | DECOMPRESSION VALVE   |                      | 1    |     |
| 2    | 503230005 | WASHER                |                      | 4    |     |
| 3    | 503216025 | SCREW                 |                      | 4    |     |
| 4    | 503235111 | SPARK PLUG            | RCJ 6Y               | 1    |     |
| 5    | 506294271 | CYLINDER ASSY         | Incl. 6 - 8          | 1    |     |
| 6    | 503134601 | GASKET                | Gasket kit 21        | 1    |     |
| 7    | 501894103 | PISTON ASSY           | Incl. 9 - 10         | 1    |     |
| 8    | 503132901 | NEEDLE HOLDER         |                      | 1    |     |
| 9    | 503289026 | PISTON RING           |                      | 2    |     |
| 11   | 737441300 | CIRCLIP               |                      | 2    |     |
| 11   | 503216401 | SCREW                 |                      | 2    |     |
| 12   | 506341401 | COOLING AIR CONDUCTOR |                      | 1    |     |
| 13   | 503131304 | GASKET                | Gasket kit 21        | 1    |     |
| 14   | 503130004 | MUFFLER ASSY          | Incl. 15 - 16        | 1    |     |
| 15   | 729534001 | SCREW CCRPANT         |                      | 4    |     |
| 16   | 506274901 | EXHAUST DUCT          |                      | 1    |     |
| 17   | 503222007 | LOCK NUT              |                      | 2    |     |
| 18   | 725536855 | SCREW IHSCM           |                      | 1    |     |
| 19   | 506278701 | SUPPORT               |                      | 1    |     |
| 20   | 505259604 | SCREW                 | Incl. 11, 13, 17, 18 | 1    |     |
| 21   | 506292402 | GASKET KIT            | Incl. 6, 13, 22 - 24 | 1    |     |
| 22   | 506274301 | GASKET                |                      | 1    |     |
| 23   | 503134501 | CRANKCASE             |                      | 1    |     |
| 24   | 503260205 | SEALING RING          |                      | 2    |     |

**H** K1250  
K1250 Rail



| REF. | PART NO.  | DESCRIPTION           | REMARK           | QTY. | KIT |
|------|-----------|-----------------------|------------------|------|-----|
| 1    | 506289801 | THROTTLE CABLE ASSY   |                  | 1    |     |
| 2    | 503142106 | TANK UNIT ASSY        | Incl. 3 - 15, 17 | 1    |     |
| 3    | 503140801 | BUSHING               |                  | 1    |     |
| 4    | 503577602 | FUEL HOSE             |                  | 1    |     |
| 5    | 504357201 | PLUG                  |                  | 1    |     |
| 6    | 501768304 | FUEL HOSE             |                  | 1    |     |
| 7    | 506293901 | TANK VENT             |                  | 1    |     |
| 8    | 720127806 | PARALLEL PIN          |                  | 1    |     |
| 9    | 720124020 | PARALLEL PIN          |                  | 1    |     |
| 10   | 503131601 | THROTTLE LOCKOUT      |                  | 1    |     |
| 11   | 503131801 | SPRING                |                  | 1    |     |
| 12   | 503133601 | THROTTLE CONTROL ASSY |                  | 1    |     |
| 13   | 503142301 | PIN                   |                  | 1    |     |
| 14   | 506233401 | SUPPORT               |                  | 1    |     |
| 15   | 503214516 | SCREW CRCSFT          |                  | 2    |     |
| 16   | 503132601 | ANTIVIBRATION ELEMENT |                  | 1    |     |
| 17   | 506264111 | FUEL FILTER           | Incl. 18, 19     | 1    |     |
| 18   | 506271101 | HOSE CLAMP            |                  | 1    |     |
| 19   | 506264101 | FUEL FILTER           |                  | 1    |     |
| 20   | 503200225 | SCREW IHSCFM          |                  | 1    |     |
| 21   | 503132701 | ANTIVIBRATION ELEMENT |                  | 1    |     |
| 22   | 503132501 | ANTIVIBRATION ELEMENT |                  | 1    |     |
| 23   | 725536855 | SCREW IHSCM           |                  | 2    |     |
| 24   | 506255903 | TANK CAP ASSY         | Incl. 25, 26     | 1    |     |
| 25   | 506292101 | GASKET                |                  | 1    |     |
| 26   | 503578901 | HOLDER                |                  | 1    |     |
| 27   | 501814701 | ANTIVIBRATION ELEMENT |                  | 1    |     |
| 28   | 503200212 | SCREW IHSCFM          |                  | 1    |     |
| 29   | 503140501 | BRACKET               |                  | 1    |     |
| 30   | 503200230 | SCREW IHSCFM          |                  | 1    |     |