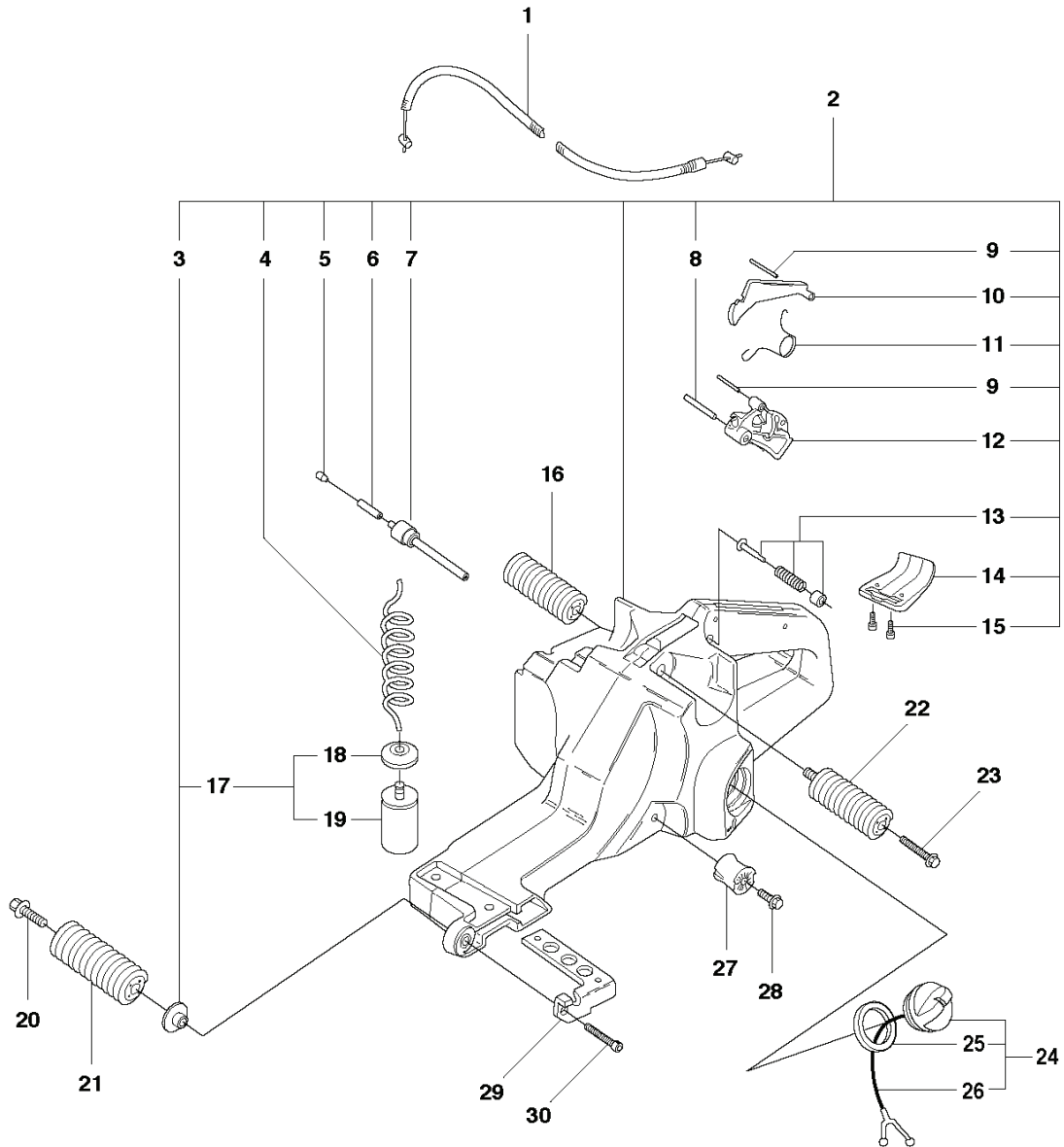


K1250 Rail, 2010-02

---

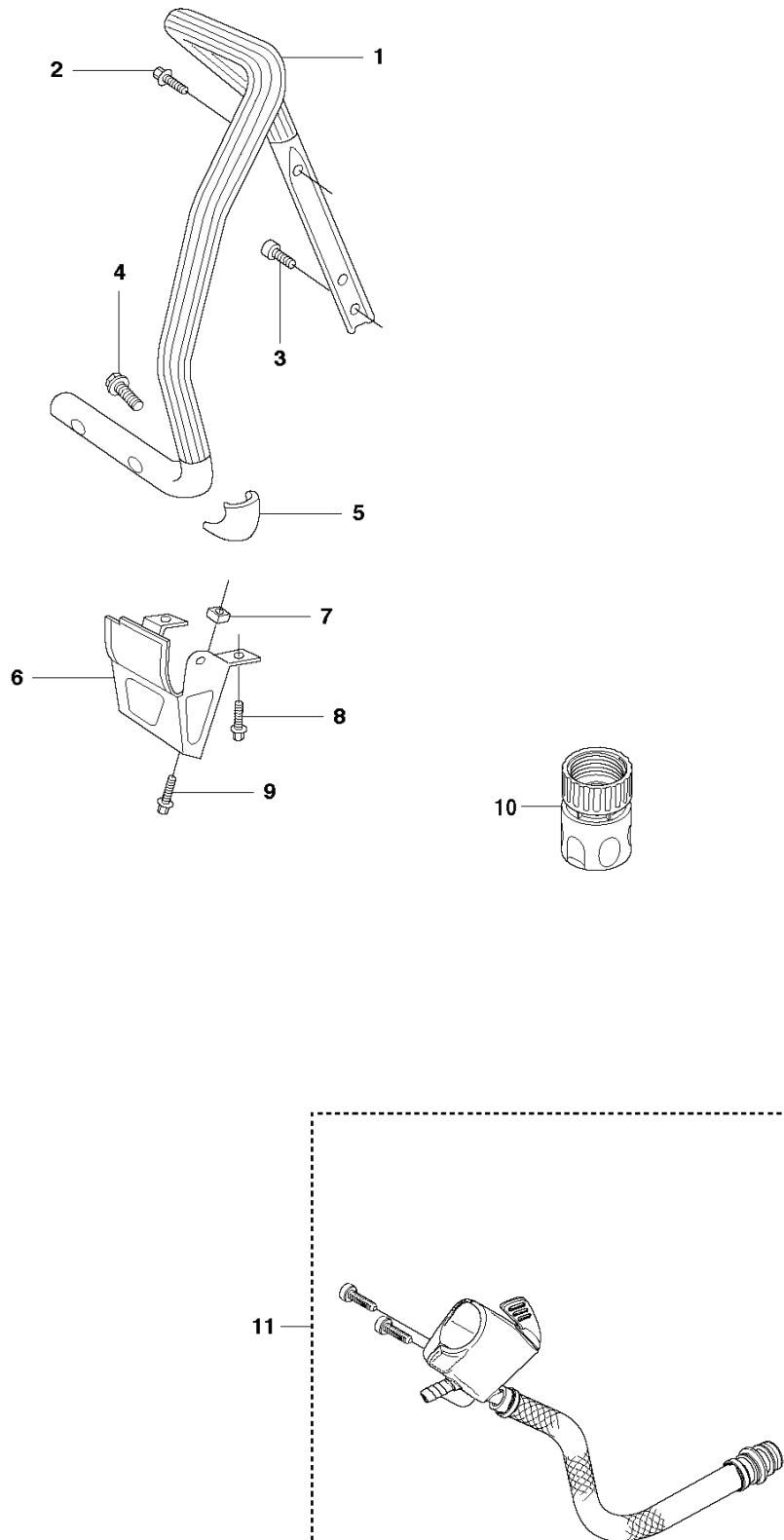
# **SPARE PARTS LIST**

**H** K1250  
K1250 Rail



REF.	PART NO.	DESCRIPTION	REMARK	QTY.	KIT
1	506289801	THROTTLE CABLE ASSY		1	
2	503142106	TANK UNIT ASSY	Incl. 3 - 15, 17	1	
3	503140801	BUSHING		1	
4	503577602	FUEL HOSE		1	
5	504357201	PLUG		1	
6	501768304	FUEL HOSE		1	
7	506293901	TANK VENT		1	
8	720127806	PARALLEL PIN		1	
9	720124020	PARALLEL PIN		1	
10	503131601	THROTTLE LOCKOUT		1	
11	503131801	SPRING		1	
12	503133601	THROTTLE CONTROL ASSY		1	
13	503142301	PIN		1	
14	506233401	SUPPORT		1	
15	503214516	SCREW CRCSFT		2	
16	503132601	ANTIVIBRATION ELEMENT		1	
17	506264111	FUEL FILTER	Incl. 18, 19	1	
18	506271101	HOSE CLAMP		1	
19	506264101	FUEL FILTER		1	
20	503200225	SCREW IHSCFM		1	
21	503132701	ANTIVIBRATION ELEMENT		1	
22	503132501	ANTIVIBRATION ELEMENT		1	
23	725536855	SCREW IHSCM		2	
24	506255903	TANK CAP ASSY	Incl. 25, 26	1	
25	506292101	GASKET		1	
26	503578901	HOLDER		1	
27	501814701	ANTIVIBRATION ELEMENT		1	
28	503200212	SCREW IHSCFM		1	
29	503140501	BRACKET		1	
30	503200230	SCREW IHSCFM		1	

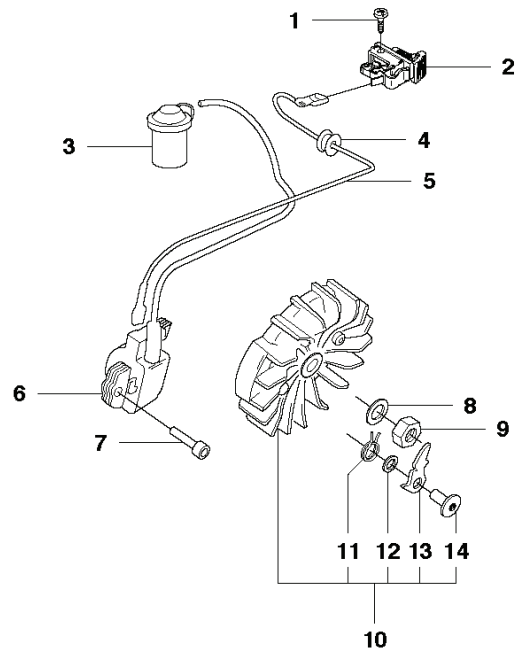
**G** K1250  
K1250 Rail



---

REF.	PART NO.	DESCRIPTION	REMARK	QTY.	KIT
1	506255302	HANDLE		1	
2	503200210	SCREW IHSCFM		1	
3	503210525	SCREW IHST		2	
4	503210632	SCREW IHST		4	
5	506149001	SUPPORT		1	
6	506250101	GROUND SUPPORT		1	
7	503226504	SQUARE NUT		2	
8	725537055	SCREW IHSCM		2	
9	503200312	SCREW IHSCFM		2	
10	503266003	COUPLER		1	
10	503266004	COUPLER		1	
11	505095502	HOSE KIT		1	

**K** K1250  
K1250 Rail



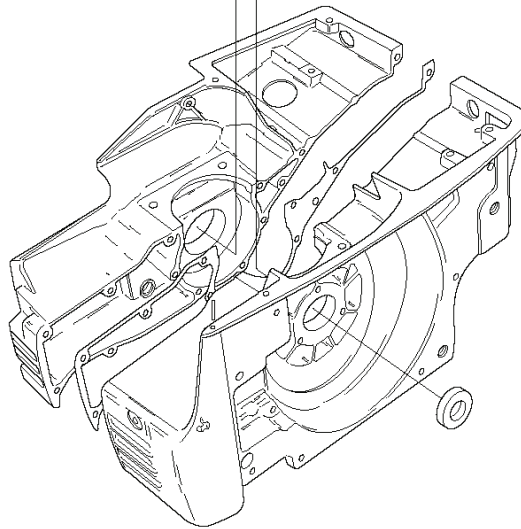
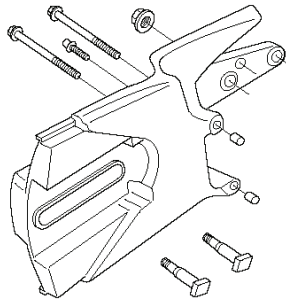
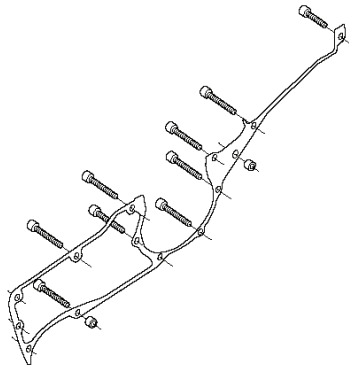
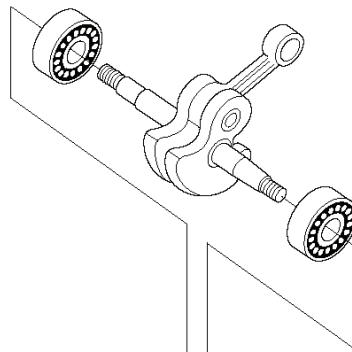
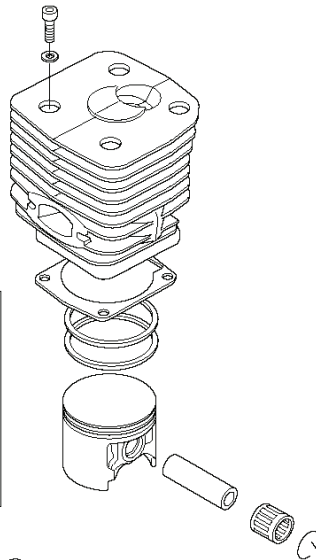
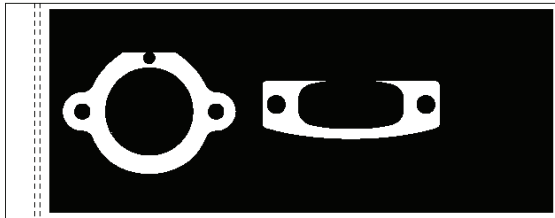
---

REF.	PART NO.	DESCRIPTION	REMARK	QTY.	KIT
1	503219008	SCREW CCRPANM		1	
2	506318602	STOP SWITCH		1	
3	501485402	SPARK PLUG CAP		1	
4	503132401	CABLE GROMMET		1	
5	501839803	CABLE		1	
6	544018801	IGNITION SYSTEM		1	
7	503202520	SCREW IHSCM		1	
8	735117350	SPRING WASHER		1	
9	503221003	HEXAGON NUT		1	
10	501895003	FLYWHEEL ASSY	Incl. 11 - 14	1	
11	501634801	SPRING		2	
12	503230042	WASHER		2	
13	501673203	PAWL		2	
14	501819901	SCREW		2	



**S** K1250  
K1250 Rail

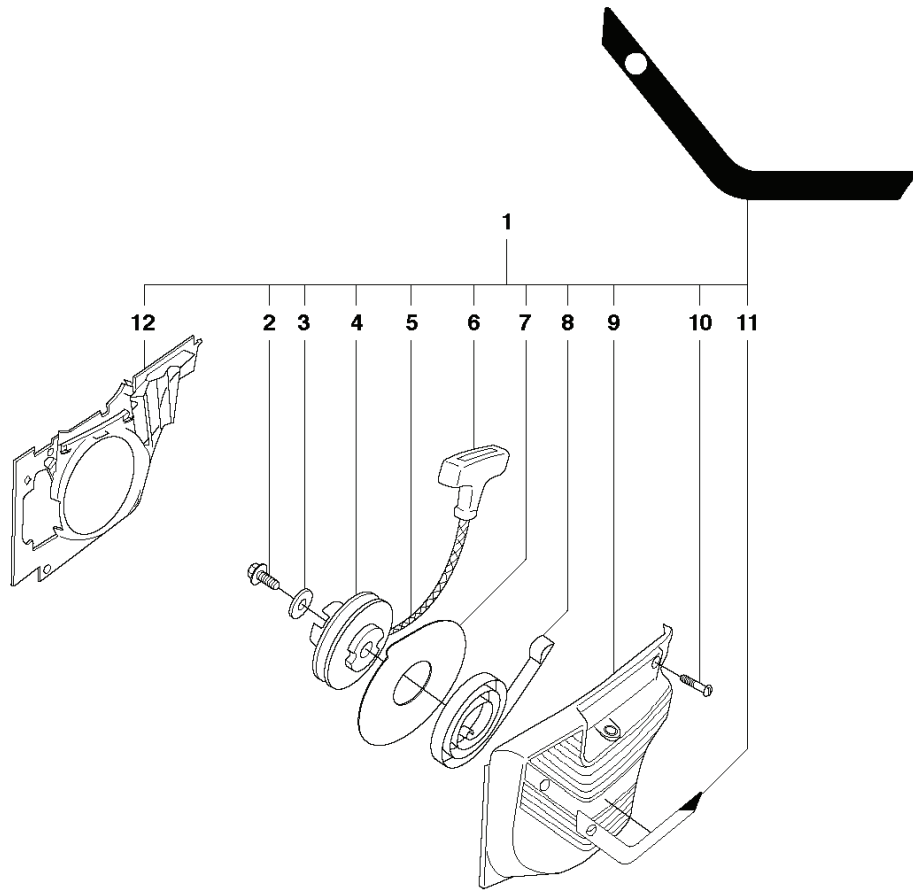
1



---

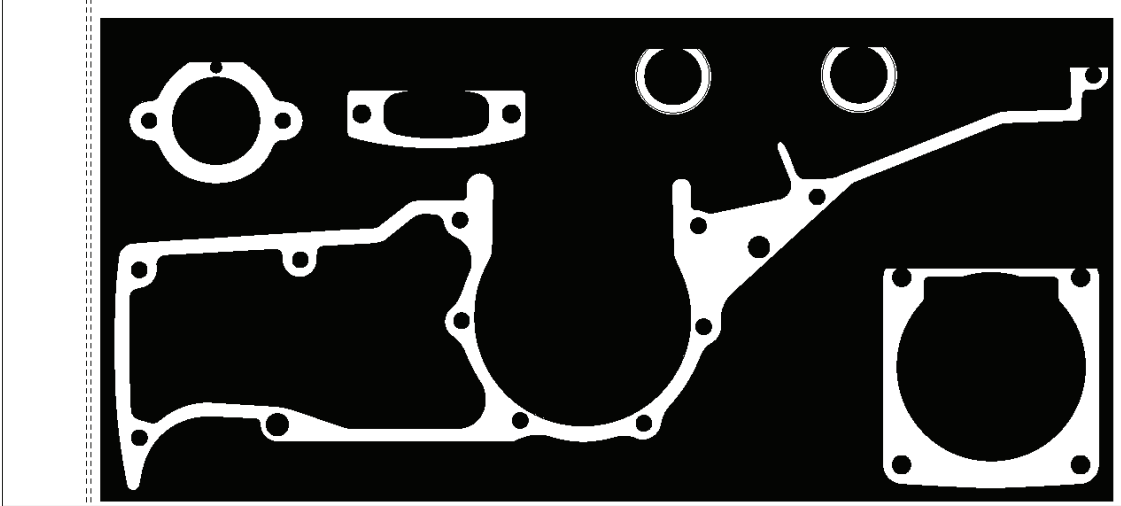
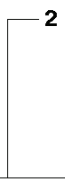
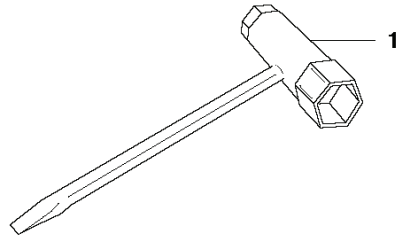
REF.	PART NO.	DESCRIPTION	REMARK	QTY.	KIT
1	544904403	CRANKCASE ASSY		1	

**J** K1250  
K1250 Rail



REF.	PART NO.	DESCRIPTION	REMARK	QTY.	KIT
1	506275503	STARTER	Incl. 2-12	1	
2	503210616	SCREW IH SCT		1	
3	503234302	WASHER		1	
4	501896701	STARTER PULLEY		1	
5	506335625	STARTER ROPE		1	
6	503127901	STARTER HANDLE		1	
7	503743601	DISC		1	
8	503135001	RECOIL SPRING		1	
9	506255802	STARTER COVER		1	
10	501981005	SCREW ITXSCM		4	
11	544873501	LABEL		1	
12	501895902	AIR CONDUCTOR	K1250 A	1	
12	501895903	AIR CONDUCTOR	K1250 Rail Stop Switch	1	

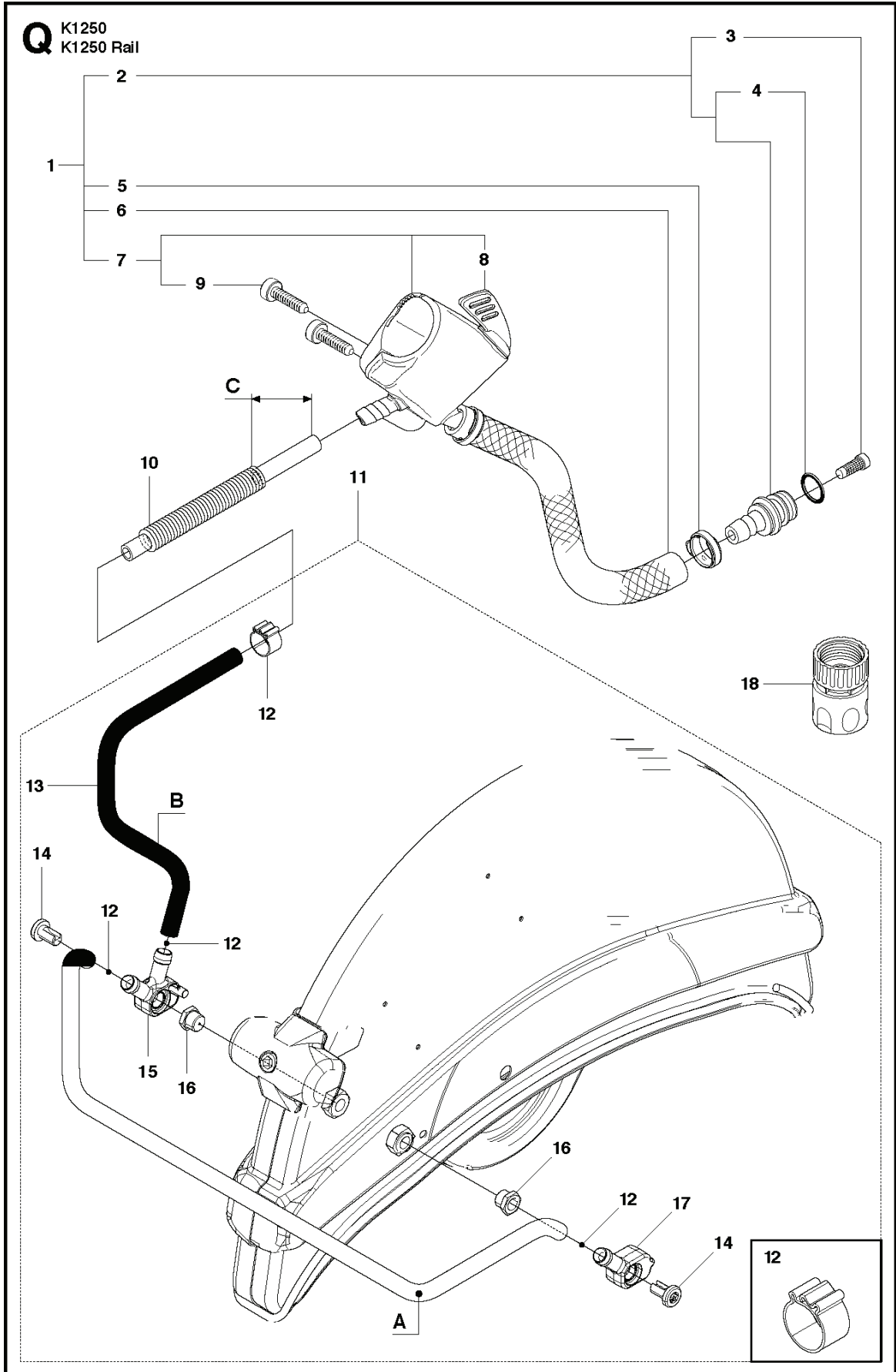
**P** K1250  
K1250 Rail  
**Accessories**  
**Zubehöre**  
**Accessoires**  
**Accesorios**  
**Tillbehör**



---

REF.	PART NO.	DESCRIPTION	REMARK	QTY.	KIT
1	501691702	COMBINATION WRENCH		1	
2	506292402	GASKET KIT		1	
3	506274301	GASKET		1	
4	503131304	GASKET		1	
5	503260205	SEALING RING		2	
6	503134501	CRANKCASE		1	
7	503134601	GASKET		1	

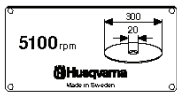
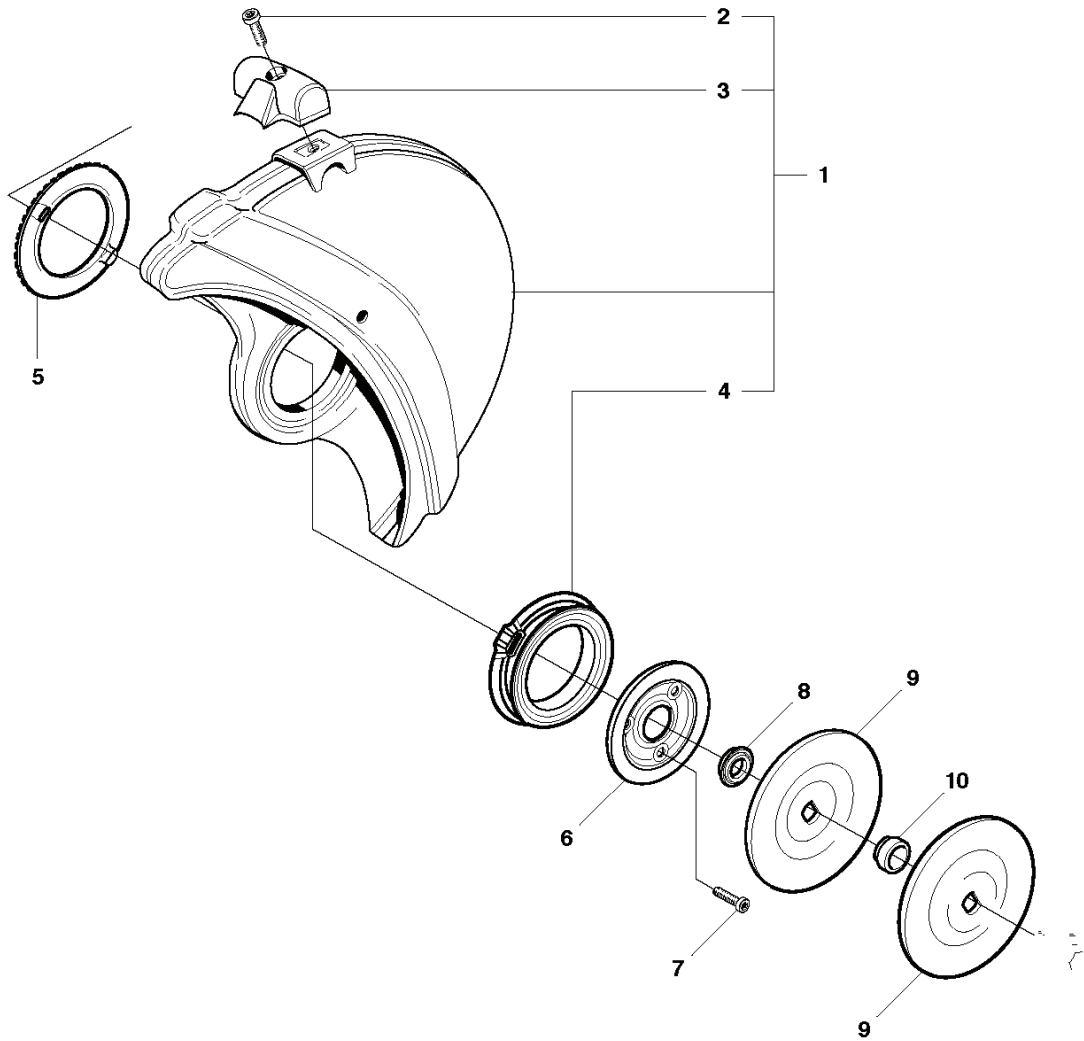
**Q** K1250  
K1250 Rail



REF.	PART NO.	DESCRIPTION	REMARK	QTY.	KIT
1	505095502	HOSE KIT	Incl. 2, 5-7	1	
2	506295702	NIPPLE	Incl. 3, 4	1	
3	506298801	FILTER		1	
4	505103501	O-RING		1	
5	506498702	HOSE CLAMP		1	
6	506607501	HOSE	L=230 mm	1	
7	506317731	VALVE ASSY	Incl. 8	1	
8	576032901	VALVE SPINDLE		1	
9	503210619	SCREW IHST		2	
10	506352701	PROTECTIVE SPRING		1	
11	505095401	HOSE KIT		1	
12	506498701	HOSE CLAMP		4	
13	506606866	HOSE	L=270mm	1	
14	504634601	SCREW ITXSCM		2	
15	504634401	HOUSING		1	
16	504634201	NIPPLE		2	
17	504634501	HOUSING		1	
18	503266003	COUPLER	USA, Canada	1	
18	503266004	COUPLER		1	



**B** K1250  
K1250 Rail



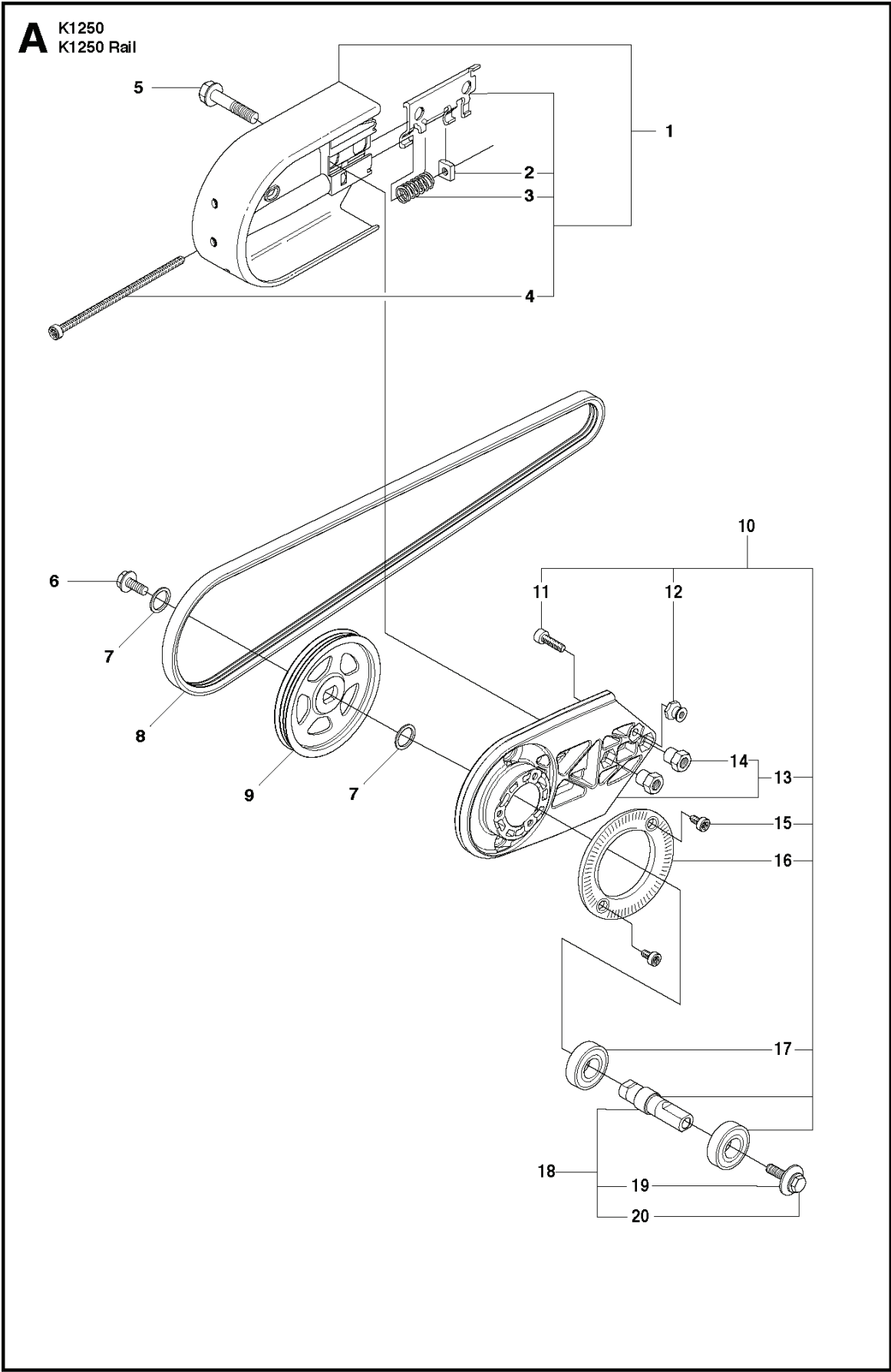
11



12

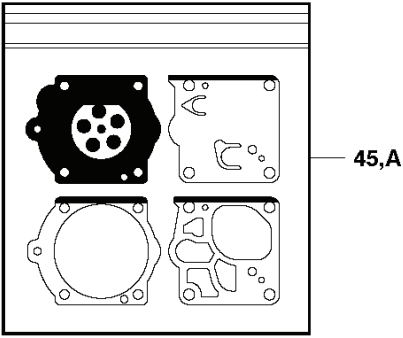
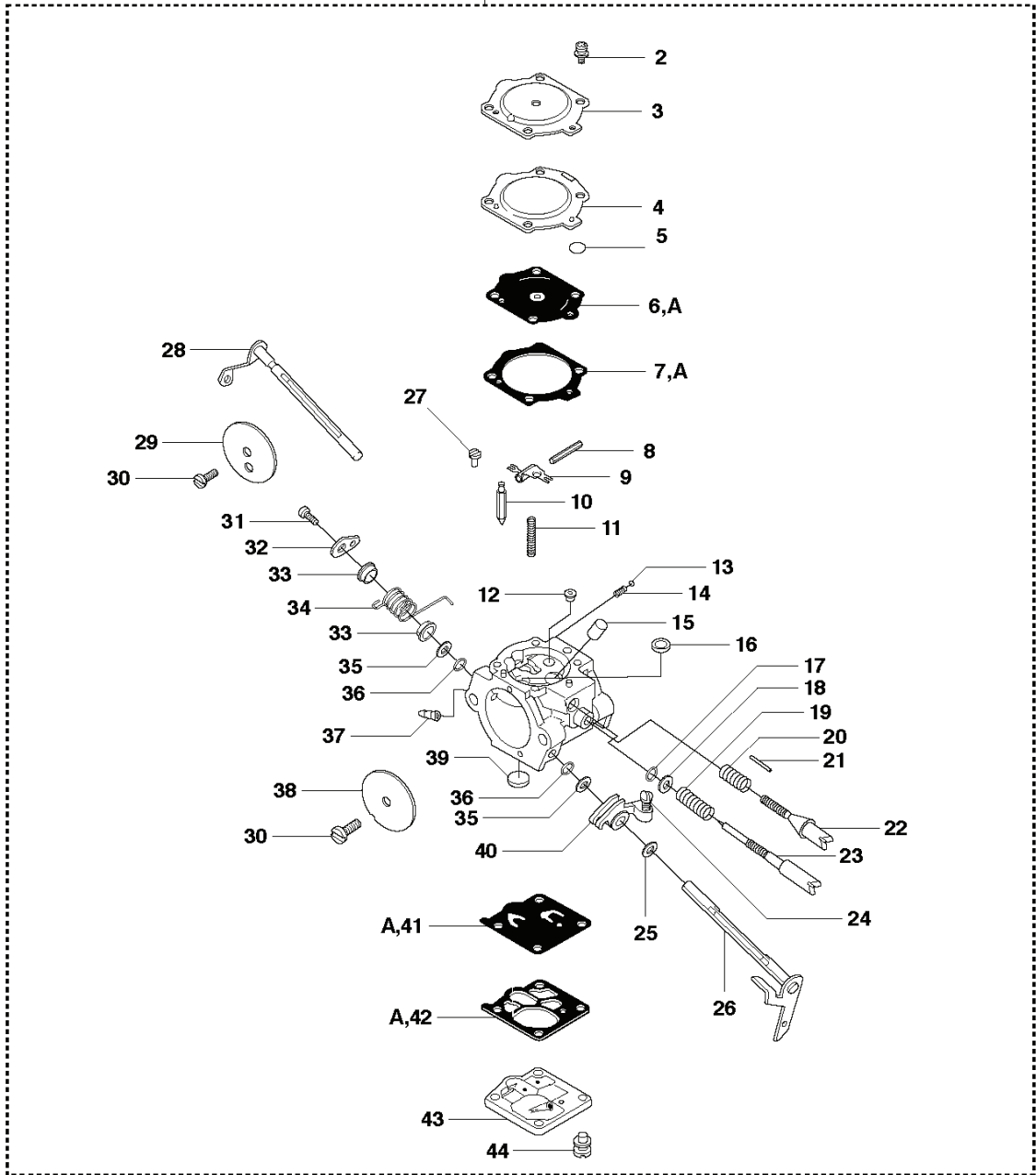
REF.	PART NO.	DESCRIPTION	REMARK	QTY.	KIT
1	506340504	WHEEL GUARD	"14""	1	
1	506340506	GUARD	"16""	1	
1	506340524	WHEEL GUARD ASSY	"Rail 14""	1	
1	506340526	WHEEL GUARD	"Rail 16""	1	
2	725533155	SCREW IHSCM		1	
3	506344602	HANDLE		1	
4	506266302	LINING		1	
5	506266401	SCREEN		1	
6	506266501	FLANGE		1	
7	725532955	SCREW IHSCM		3	
8	506324801	SUPPORT FLANGE	K1250 A	1	
8	506267101	SUPPORT FLANGE	K1250 Rail	1	
9	506028701	FLANGE WASHER	Diam 105 mm	1	
9	506070901	FLANGE WASHER	Diam 119 mm	1	
10	506379620	KIT	Diam 20 mm	1	
10	506379622	BUSHING	Diam 22.2 mm	1	
10	506379625	KIT	Diam 25 mm	1	
10	506028830	BUSHING	Diam 30.5 mm	1	
11	506284112	LABEL	"14"". Diam 20mm"	1	
11	506284111	LABEL	"14"". Diam 22.2 mm"	1	
11	506284114	LABEL	"14"". Diam 25.4mm"	1	
11	506284122	LABEL	"16"". Diam 20mm"	1	
11	506284121	LABEL	"16"". Diam 22.2mm"	1	
11	506284124	LABEL	"16"". Diam 25.4mm"	1	
12	576121002	DECAL	"Japan, 14""	1	
12	576121003	DECAL	"Japan, 16""	1	

**A** K1250  
K1250 Rail



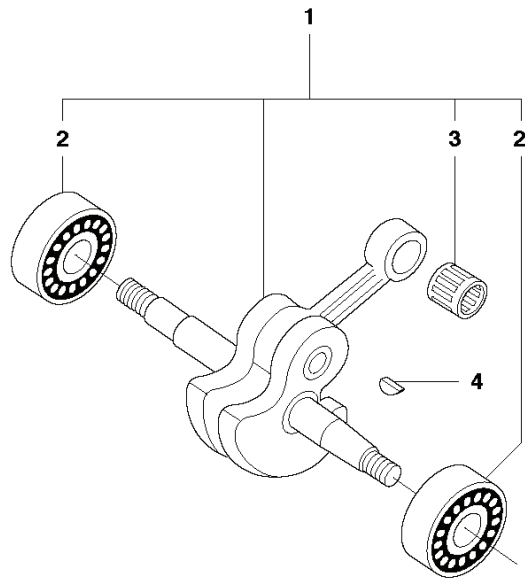
REF.	PART NO.	DESCRIPTION	REMARK	QTY.	KIT
1	506279202	BELT GUARD	Incl. 2 - 4	1	
1	506279203	BELT GUARD	"Rail 14", Incl. 2 - 4"	1	
1	506279204	BELT GUARD	"Rail 16", Incl. 2 - 4"	1	
2	506409301	NUT		1	
3	506266801	COMPRESSION SPRING		1	
4	503203011	SCREW SLCHM		1	
5	506284401	SCREW EHHFM		2	
6	503200045	SCREW EHHFM		1	
7	503230104	WASHER		2	
8	544976301	BELT	"14", "16", "Rail 14"	1	
8	544976302	BELT	"Rail 16"	1	
9	578110501	PULLEY		1	
11	725532955	SCREW IHSCM		1	
10	506394208	BEARING HOUSING	Incl. 11 - 13, 15 - 17	1	
12	506143201	NUT CAP		1	
13	506394206	BEARING HOUSING	Incl. 14	1	
14	506287301	NUT		2	
15	503200712	SCREW IHSCFM		2	
16	506288401	SCREEN		1	
17	583953301	BALL BEARING		2	
18	506298365	SHAFT	Incl. 19-20	1	
19	506139511	WASHER		1	
20	506139601	SCREW EHHFM		1	

**N** K1250  
K1250 Rail



REF.	PART NO.	DESCRIPTION	REMARK	QTY.	KIT
1	503281217	CARBURETTOR		1	
2	537003101	SCREW		1	
3	501692801	COVER		1	
4	537002901	COVER		1	
5	537002801	RING		1	
6	503632801	DIAPHRAGM ASSY	Kit 45	1	
7	501467501	GASKET	Kit 45	1	
8	505316731	PIN		1	
9	505316734	LEVER		1	
10	503563401	NEEDLE VALVE		1	
11	505316723	SPRING		1	
13	501468501	BALL		1	
14	501468401	SPRING		1	
15	503976601	NOZZLE ASSY		1	
16	503574201	PLUG		1	
17	503595501	O-RING		1	
18	503597201	WASHER		1	
19	505316737	SPRING		1	
20	503633101	SPRING		1	
21	503526001	PIN THROTTLE STOP		1	
22	503632901	SCREW IDLE SPEED		1	
23	503633201	NEEDLE IDLE SPEED		1	
24	503596501	SCREW		1	
25	506028301	WASHER		1	
26	503595901	SHAFT ASSY		1	
27	505316717	SCREW		1	
28	537003001	SHAFT ASSY		1	
29	503525801	VALVE CHOKE		1	
30	530035015	SCREW		2	
31	503192201	SCREW PAN HD(M2.5X5)		1	
32	503595601	LEVER		1	
33	502103101	BUSHING		2	
34	503525901	SPRING THROTT RETURN		1	
35	505316748	WASHER		2	
36	503564501	SEAL		2	
37	503598401	FITTING		1	
38	503632401	VALVE THROTTLE		1	
39	501666101	SCREEN		1	
40	503595701	LEVER		1	
41	503117301	DIAPHRAGM PUMP	Kit 45	1	
42	503117201	GASKET	Kit 45	1	
43	503595801	COVER		1	
44	503117501	SCREW		1	
45	503597402	GASKET KIT		1	

**F** K1250  
K1250 Rail

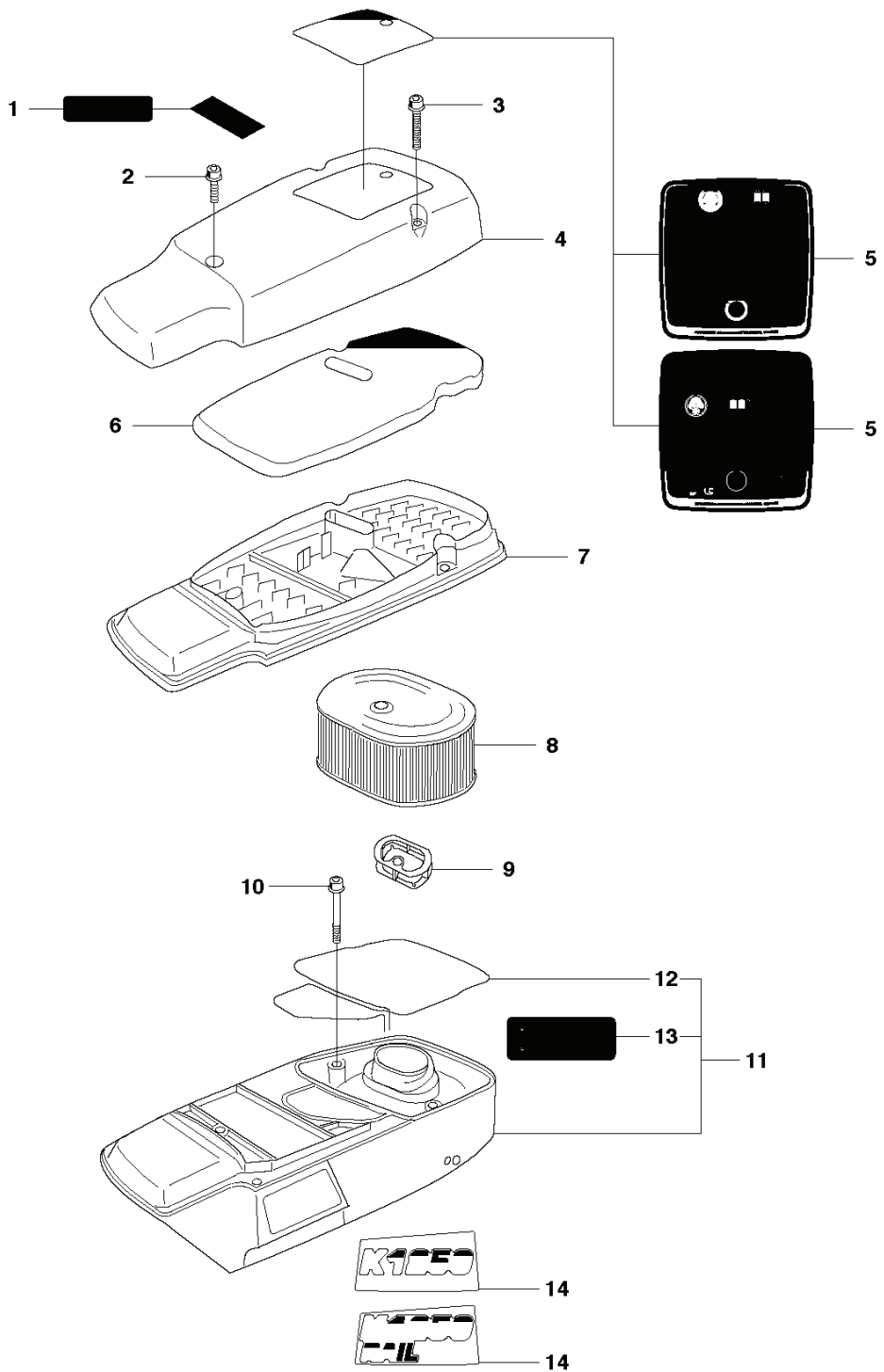


---

REF.	PART NO.	DESCRIPTION	REMARK	QTY.	KIT
1	503142074	CRANKSHAFT ASSY	Incl. 2, 3	1	
2	503250002	BALL BEARING		2	
3	503132901	NEEDLE HOLDER		1	
4	735880600	WOODRUFF KEY		1	

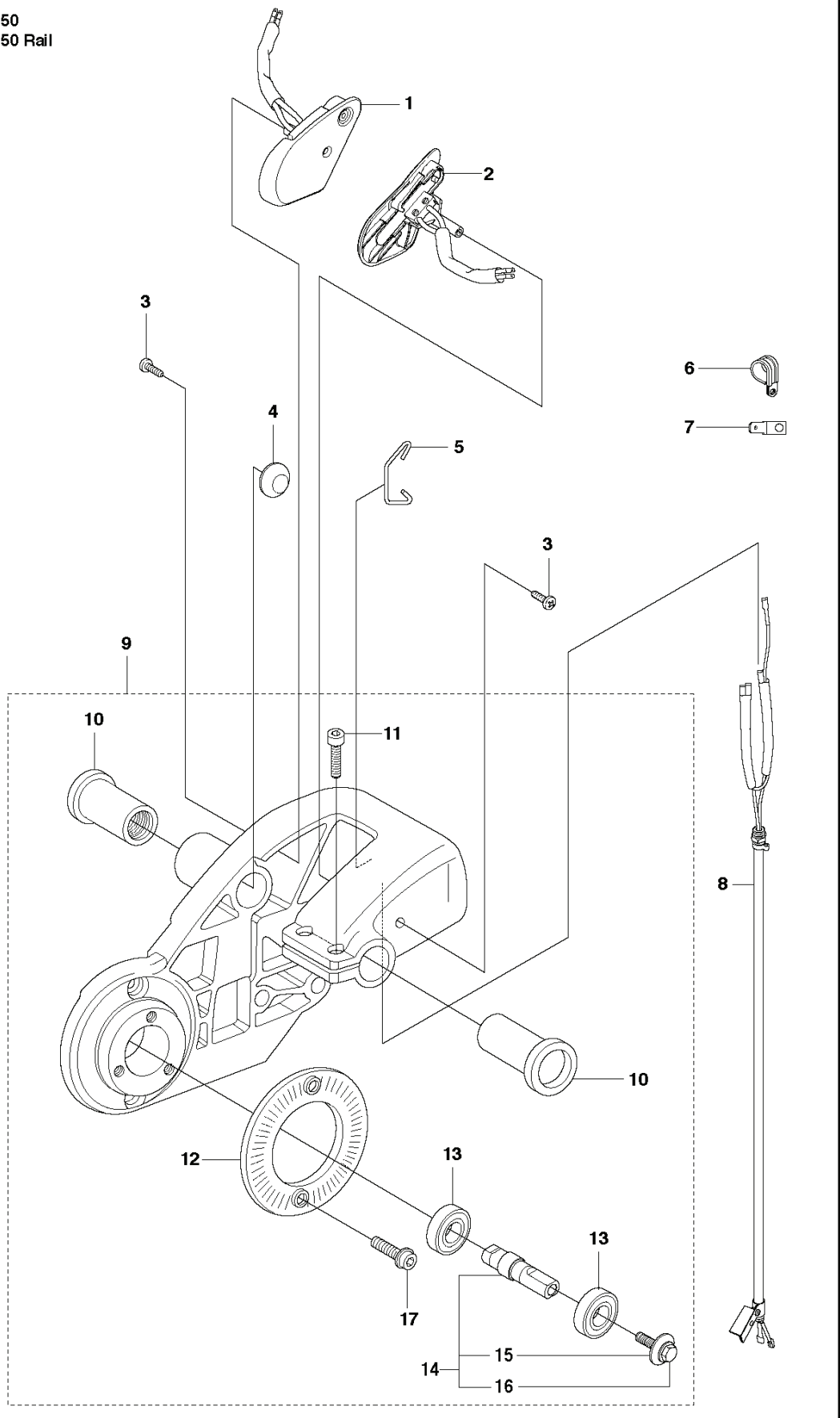


**L** K1250  
K1250 Rail



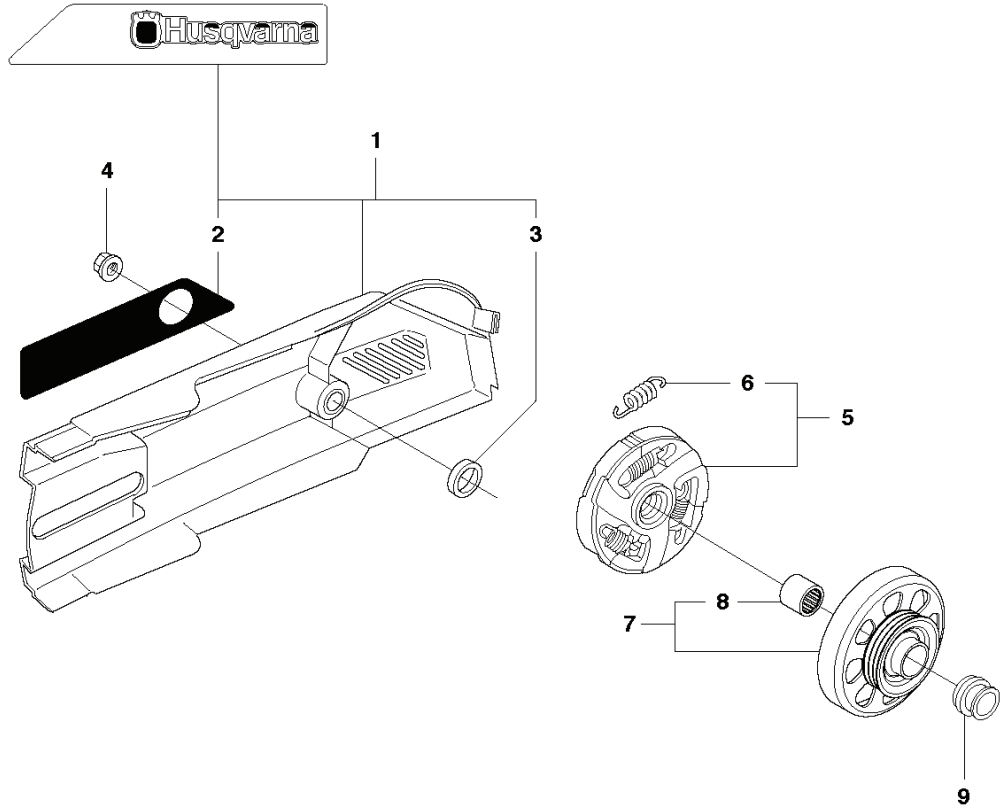
REF.	PART NO.	DESCRIPTION	REMARK	QTY.	KIT
1	544874602	LABEL		1	
2	503203425	SCREW CCRPANMO		1	
3	503203455	SCREW CCRPANMO		2	
4	506255602	FILTER COVER		1	
5	505038903	LABEL	EPA USA	1	
5	505038904	LABEL	EPA Canada	1	
6	506268701	PREFILTER		1	
7	506255702	FILTER BOTTOM		1	
8	506231803	LUFTFILTER PAPPER		1	
9	506250301	INSERT		1	
10	503200230	SCREW IHSCFM		4	
11	506275402	CYLINDER COVER	Incl. 12 - 13	1	
12	506283930	SEALING		1	
13	544873801	LABEL		1	
14	544873903	LABEL	K1250	1	
14	544873904	LABEL	K1250 Rail	1	

**R** K1250  
K1250 Rail



REF.	PART NO.	DESCRIPTION	REMARK	QTY.	KIT
1	506359104	STOP SWITCH	RH	1	
2	506359103	STOP SWITCH	LH	1	
3	729532771	SCREW CRPANT		2	
4	506359601	SPACING BLOCK		1	
6	506358001	BRACKET		1	
7	535039401	CONNECTION		1	
8	506359001	WIRING		1	
9	544887501	BEARING HOUSING	"14"" Rail"	1	
9	544887502	BEARING HOUSING	"14"" Rail Stop Switch, Incl. 10 - 14"	1	
9	544887503	BEARING HOUSING	"16"" Rail"	1	
9	544887504	BEARING HOUSING	"16"" Rail Stop Switch, Incl. 10 - 14"	1	
9	544887511	BEARING HOUSING	"16"" Rail, USA only"	1	
10	506227501	SLEEVE		2	
11	503200216	SCREW IHSCFM		2	
12	506288401	SCREEN		1	
13	503252101	BALL BEARING		2	
14	506298365	SHAFT	Incl. 15 - 16	1	
15	506139511	WASHER		1	
16	506139601	SCREW EHHFM		1	
17	503200712	SCREW IHSCFM		1	

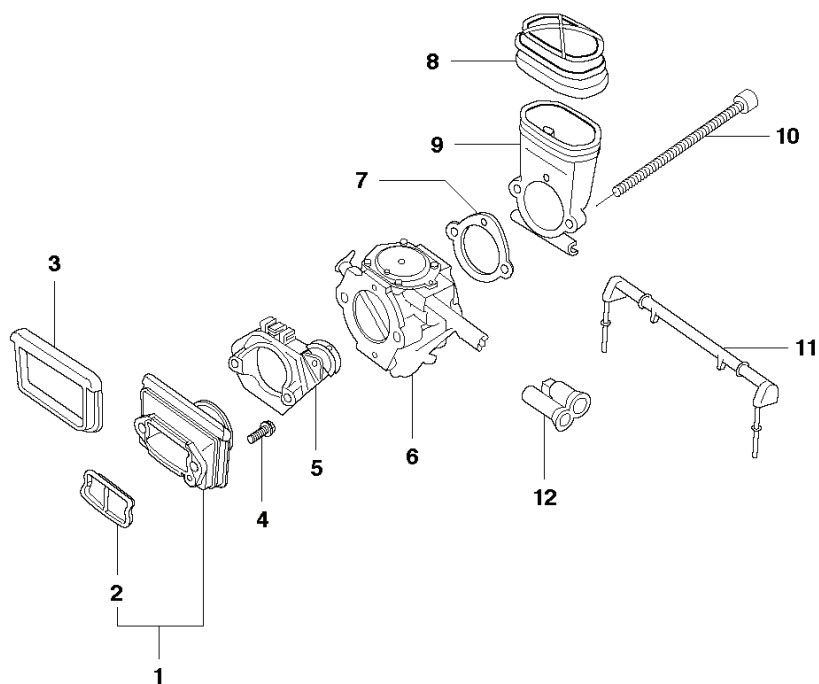
**C** K1250  
K1250 Rail



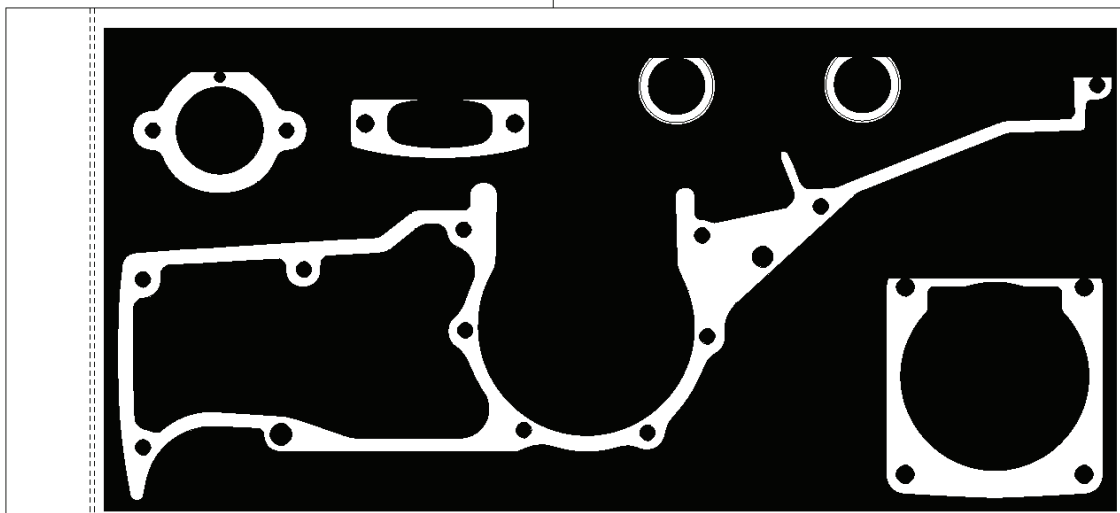
---

REF.	PART NO.	DESCRIPTION	REMARK	QTY.	KIT
1	506271703	BELT GUARD	Incl. 2, 3	1	
2	544873601	LABEL		1	
3	506268401	SPACING SLEEVE		1	
4	503220001	HEXAGON NUT		1	
5	503144901	CLUTCH ASSY	Incl. 6	1	
6	503145101	CLUTCH SPRING		3	
7	540052801	DRIVING PULLEY ASSY	"14". Incl. 8"	1	
7	540052803	DRIVE SPROCKET	"16". Incl. 8"	1	
8	503253801	NEEDLE BEARING		1	
9	506285901	SPACING SLEEVE		1	

**M** K1250  
K1250 Rail



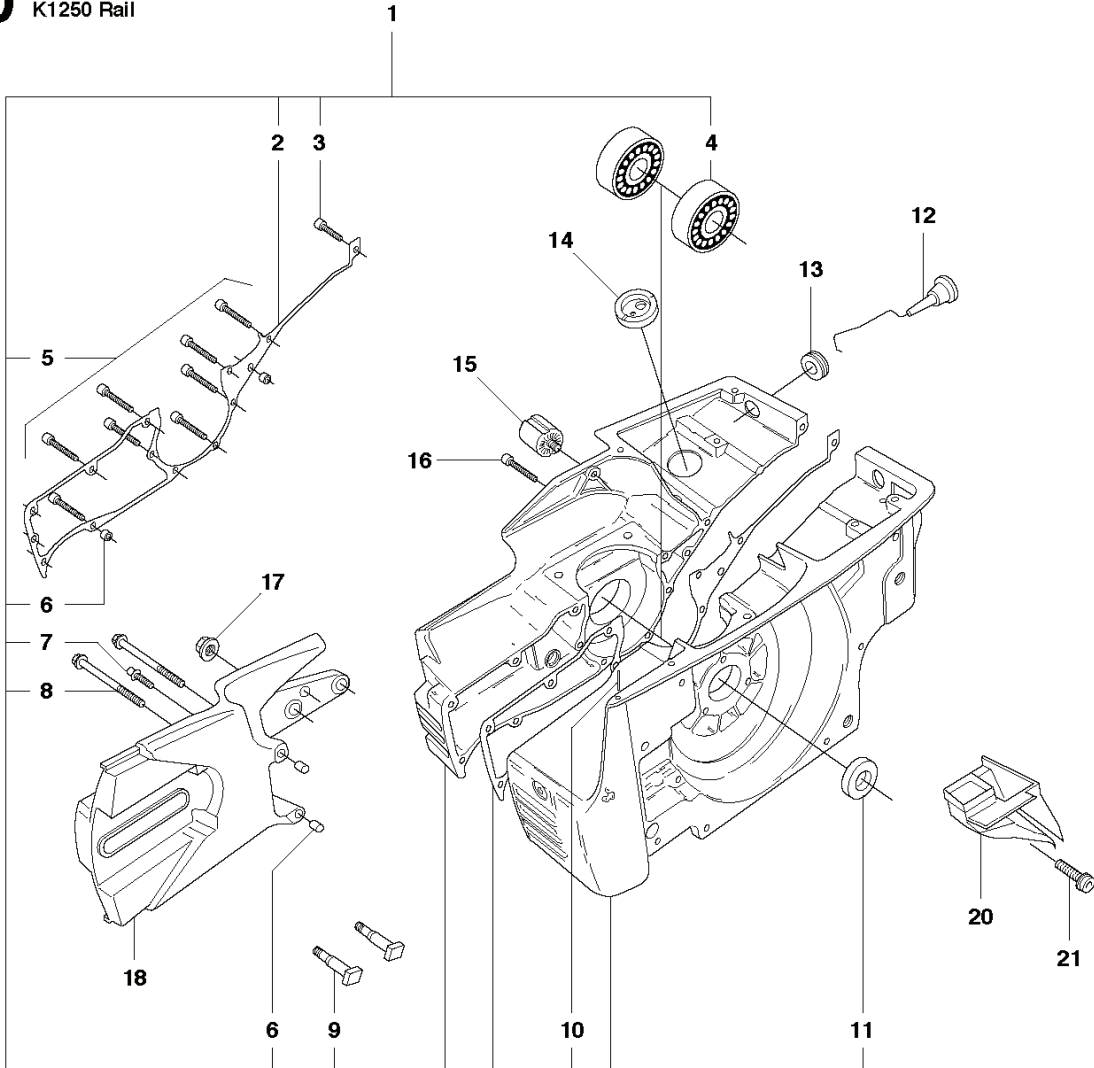
13



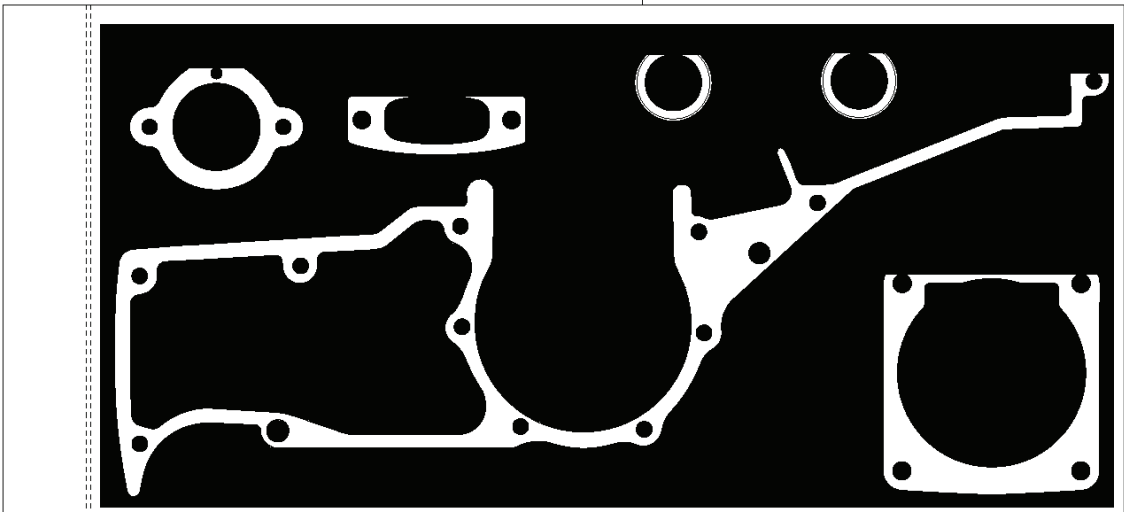
REF.	PART NO.	DESCRIPTION	REMARK	QTY.	KIT
1	506275202	FLANGE	Incl. 2	1	
2	506313801	INSERT		1	
3	503143701	SEALING		1	
4	503200220	SCREW IHSCFM		1	
5	506289701	FLANGE		1	
6	503281217	CARBURETTOR		1	
7	506274301	GASKET	Gasket kit 13	1	
8	506250201	BELLOWS		1	
9	506241301	INLET BEND		1	
10	503217565	SCREW IHSCFT		2	
11	506250401	SUPPORT		1	
12	506254601	CHISEL GUIDE		1	
13	506292402	GASKET KIT	Incl. 7, 14 - 17	1	
14	503131304	GASKET		1	
15	503260205	SEALING RING		2	
16	503134501	CRANKCASE		1	
17	503134601	GASKET		1	



**D** K1250  
K1250 Rail

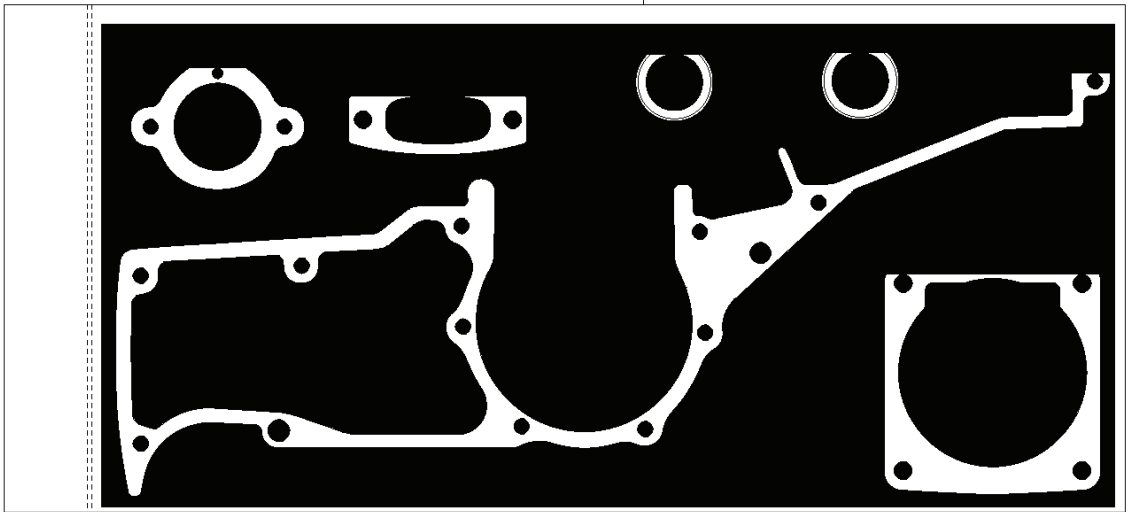
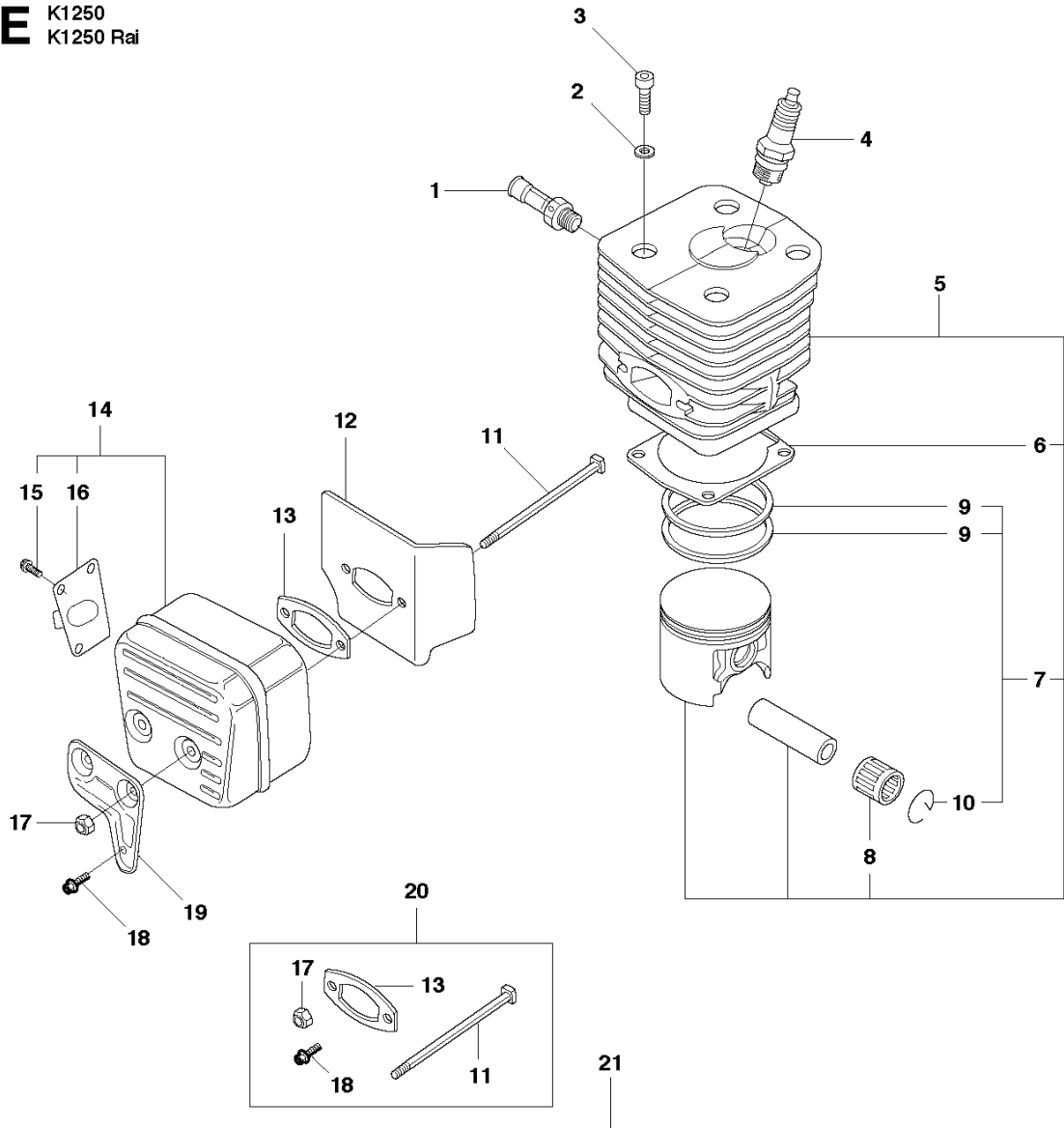


22



REF.	PART NO.	DESCRIPTION	REMARK	QTY.	KIT
1	501892572	CRANKCASE	Incl. 2-11	1	
2	503134501	CRANKCASE	Gasket kit 22	1	
3	725533155	SCREW IHSCM		3	
4	503250002	BALL BEARING		2	
5	725533955	SCREW IHSCM		9	
6	501270801	GUIDE BUSHING		4	
7	503200220	SCREW IHSCFM		1	
8	503200265	SCREW IHSCFM		2	
9	501815701	BAR BOLT		2	
10	721420600	SPRING PIN		1	
11	503260205	SEALING RING	Gasket kit 22	2	
12	506254301	CHOKE CONTROL		1	
13	503145402	GROMMET		1	
14	503132001	GROMMET		1	
15	501269704	ANTIVIBRATION ELEMENT		1	
16	725537055	SCREW IHSCM		1	
17	503220001	HEXAGON NUT		1	
18	506241402	CUTTER ARM		1	
20	506237001	AIR NOZZLE		1	
21	503200212	SCREW IHSCFM		1	
22	506292402	GASKET KIT		1	
23	506274301	GASKET		1	
24	503131304	GASKET		1	
25	503134601	GASKET		1	

**E** K1250  
K1250 Rai



REF.	PART NO.	DESCRIPTION	REMARK	QTY.	KIT
1	503665601	DECOMPRESSION VALVE		1	
2	503230005	WASHER		4	
3	503216025	SCREW		4	
4	503235111	SPARK PLUG	RCJ 6Y	1	
5	506294271	CYLINDER ASSY	Incl. 6 - 8	1	
6	503134601	GASKET	Gasket kit 21	1	
7	501894103	PISTON ASSY	Incl. 9 - 10	1	
8	503132901	NEEDLE HOLDER		1	
9	503289026	PISTON RING		2	
11	737441300	CIRCLIP		2	
11	503216401	SCREW		2	
12	506341401	COOLING AIR CONDUCTOR		1	
13	503131304	GASKET	Gasket kit 21	1	
14	503130004	MUFFLER ASSY	Incl. 15 - 16	1	
15	729534001	SCREW CCRPANT		4	
16	506274901	EXHAUST DUCT		1	
17	503222007	LOCK NUT		2	
18	725536855	SCREW IHSCM		1	
19	506278701	SUPPORT		1	
20	505259604	SCREW	Incl. 11, 13, 17, 18	1	
21	506292402	GASKET KIT	Incl. 6, 13, 22 - 24	1	
22	506274301	GASKET		1	
23	503134501	CRANKCASE		1	
24	503260205	SEALING RING		2	