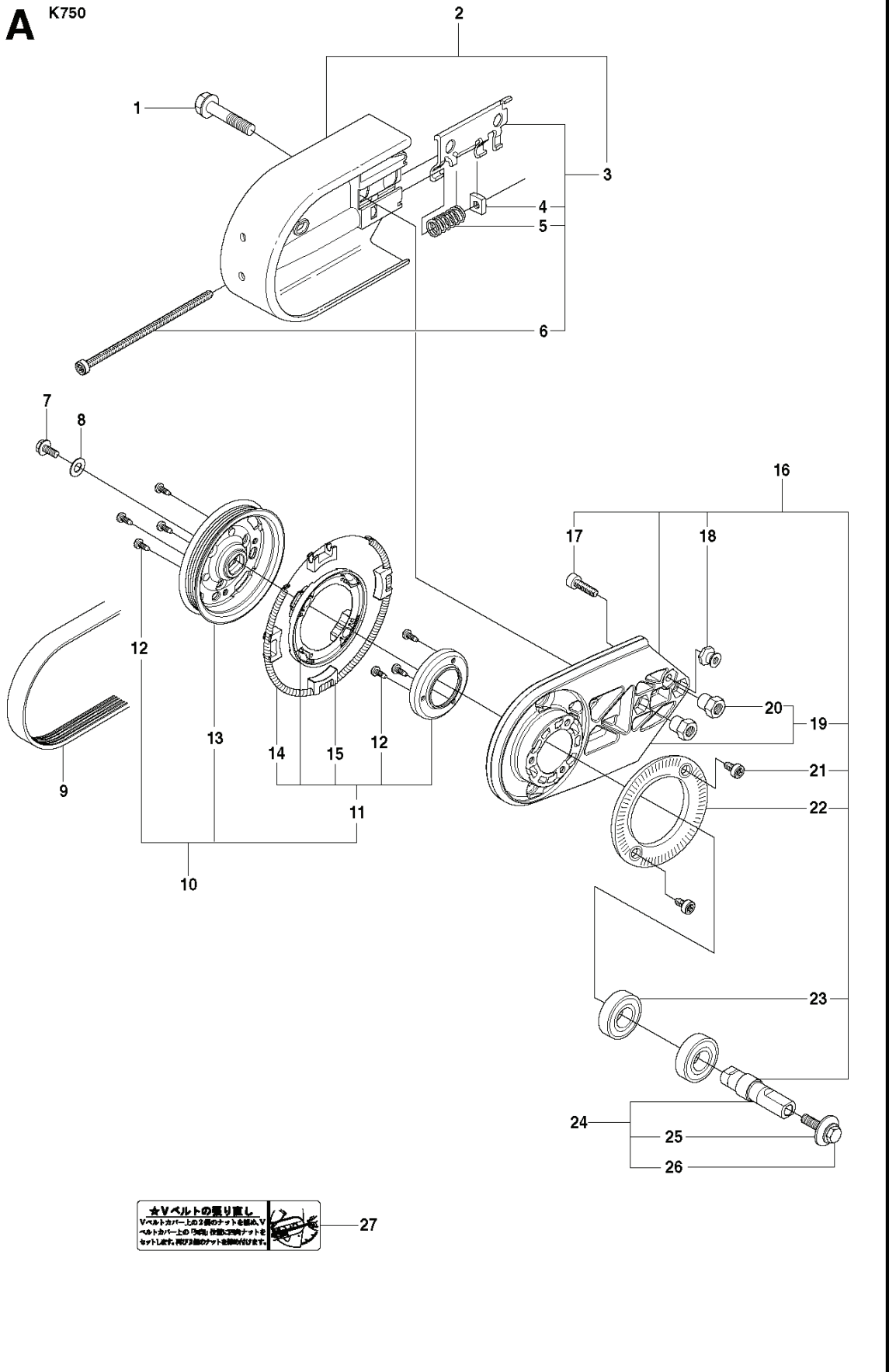


K750 RESCUE, 2009-07

---

# **SPARE PARTS LIST**

**A** K750



**★Vベルトの張り直し**  
 Vベルトカバー、上の調整ネットを締める。V  
 ベルトカバー上の調整ネットを締めて、Vベルトの張り直し  
 を行います。調整ネットの締め具合を調整してください。

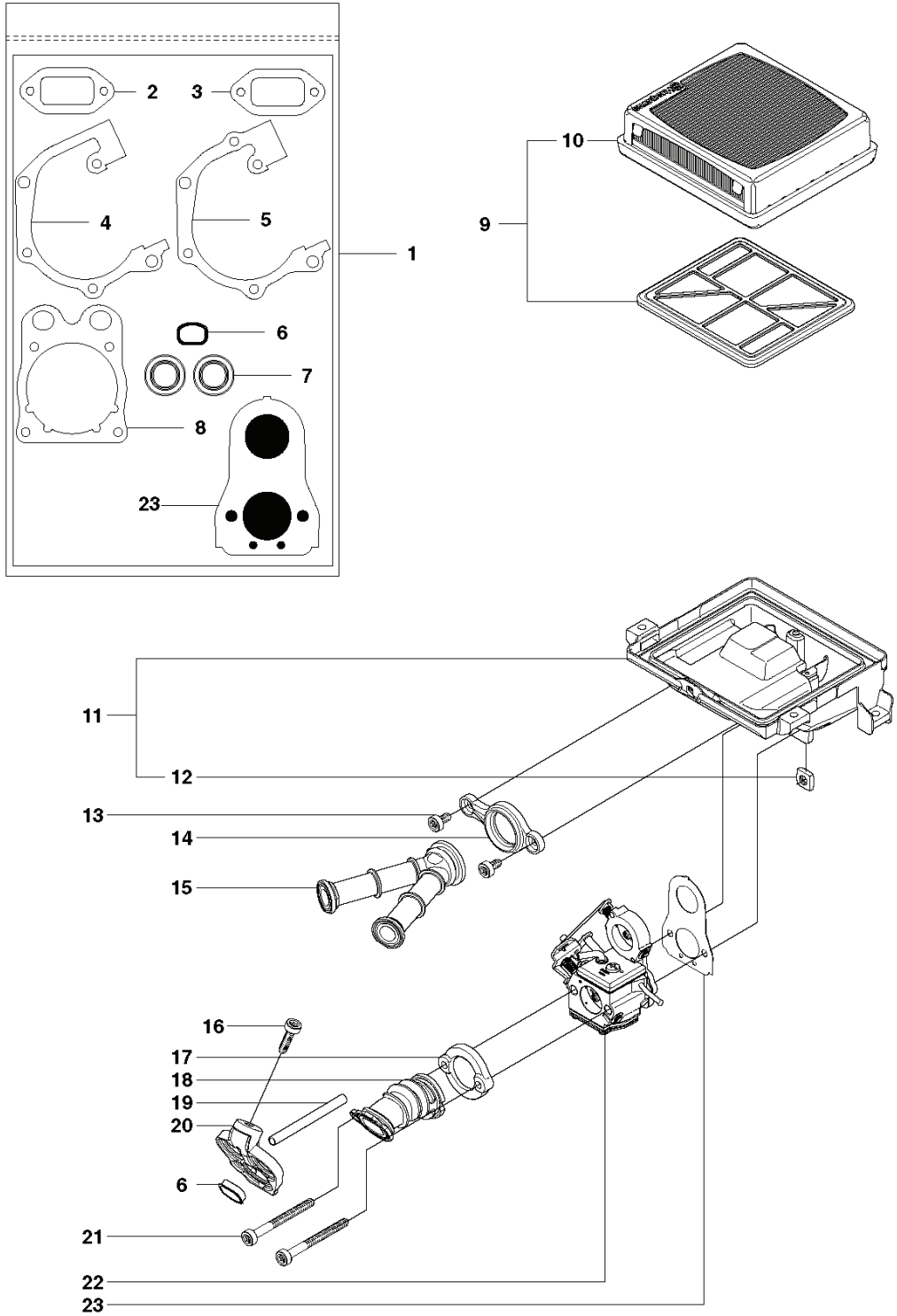


27

REF.	PART NO.	DESCRIPTION	REMARK	QTY.	KIT
1	506284401	SCREW EHHFM		2	
2	506393602	BELT GUARD	Incl. 3	1	
3	506266604	BELT TENSIONER ASSY	Incl. 4 - 6	1	
4	506409301	NUT		1	
5	506266801	COMPRESSION SPRING		1	
6	503207205	SCREW CITXSCM		1	
7	503200045	SCREW EHHFM		1	
8	503230116	WASHER		1	
9	544908402	BELT		1	
10	504037007	PULLEY	Incl. 11 - 13	1	
11	505445403	CASSETTE	Incl. 12, 14 - 15	1	
12	503212810	SCREW CCRPANT		7	
13	504062201	PULLEY		1	
14	544441001	DRAW SPRING		1	
15	544440402	BRAKE SHOE		4	
16	506394208	BEARING HOUSING	Incl. 17 - 19, 21 - 23	1	
17	505574116	SCREW ITXSCM		1	
18	506143201	NUT CAP		1	
19	506394206	BEARING HOUSING	Incl. 20	1	
20	506287301	NUT		2	
21	503215310	SCREW ITXSCM		2	
22	506288401	SCREEN		1	
23	503252101	BALL BEARING		2	
24	506298365	SHAFT	Incl. 25 - 26	1	
25	506139511	WASHER		1	
26	506139601	SCREW EHHFM		1	
27	506309705	LABEL	Japan only	1	

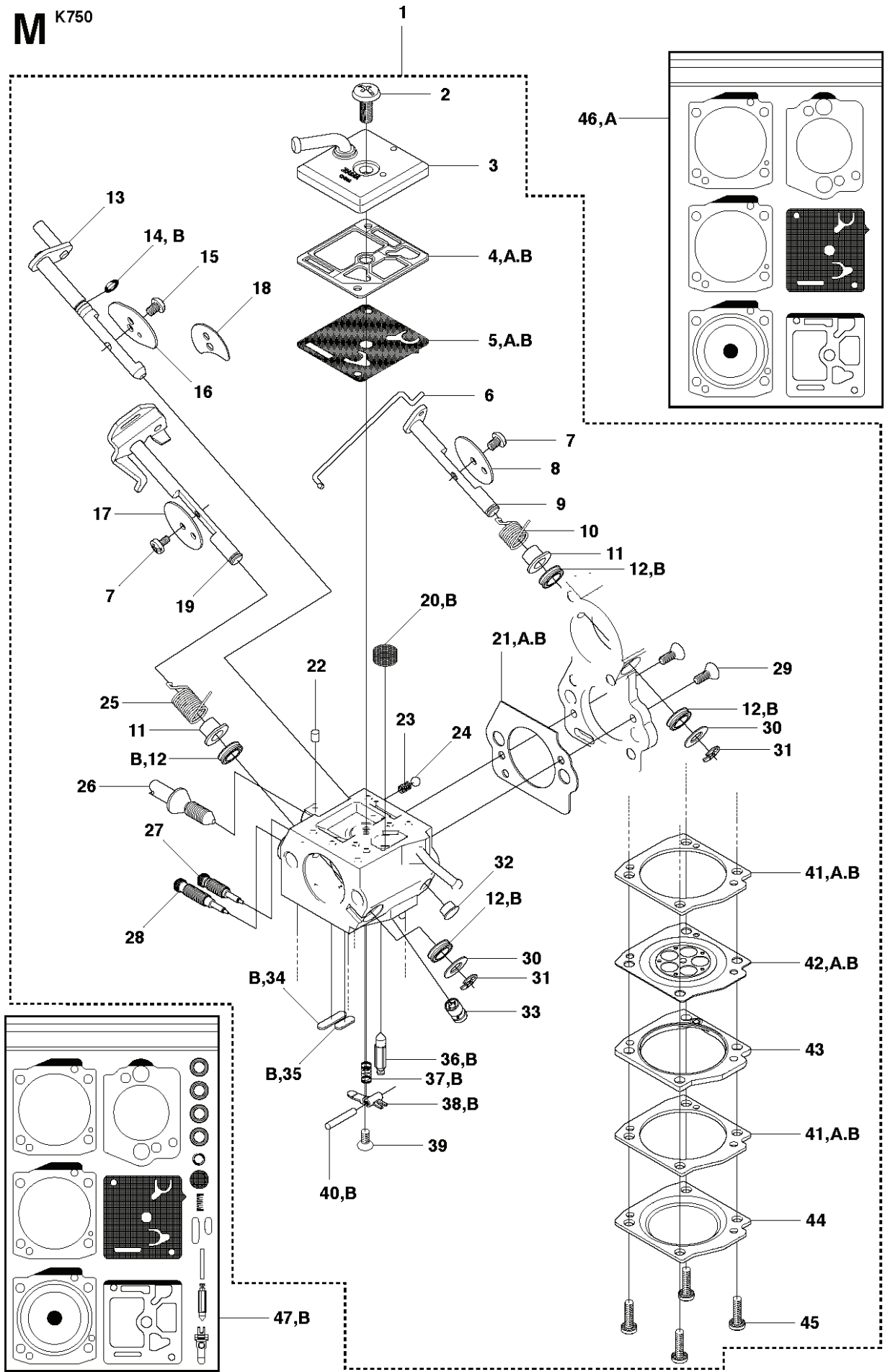
L

K750



REF.	PART NO.	DESCRIPTION	REMARK	QTY.	KIT
1	506385305	GASKET KIT	Incl. 2 - 8, 23	1	
2	506412301	GASKET		1	
3	506376902	GASKET		1	
4	506377002	GASKET		1	
5	506377003	GASKET		1	
6	544219302	INSERT		1	
7	503260204	SEALING RING		2	
8	506376701	GASKET		1	
9	544181602	FILTER	Incl. 10	1	
10	506367203	AIR FILTER		1	
11	506393202	CARBURETTOR BRACKET	Incl. 12	1	
12	503226504	SQUARE NUT		4	
13	503215310	SCREW ITXSCM		2	
14	506370601	FLANGE INLET PIPE		1	
15	506369801	INLET PIPE		1	
16	503215320	SCREW ITXSCM		1	
17	506370501	FLANGE INLET PIPE		1	
18	506369701	INLET PIPE		1	
19	503400609	IMPULSE HOSE		1	
20	544352601	PLATE		1	
21	503215356	SCREW ITXSCM		2	
22	503283209	CARBURETTOR	Zama C3-EL29	1	
22	510181201	CARBURETTOR	Japan only	1	
23	506376803	GASKET		1	

**M** K750

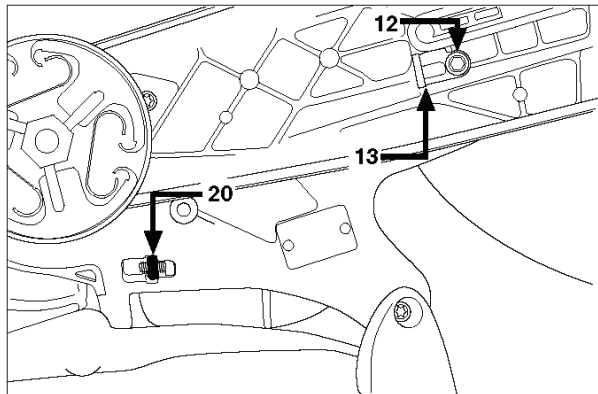
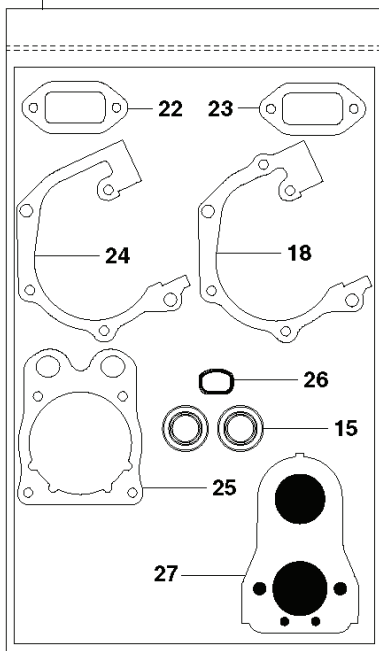
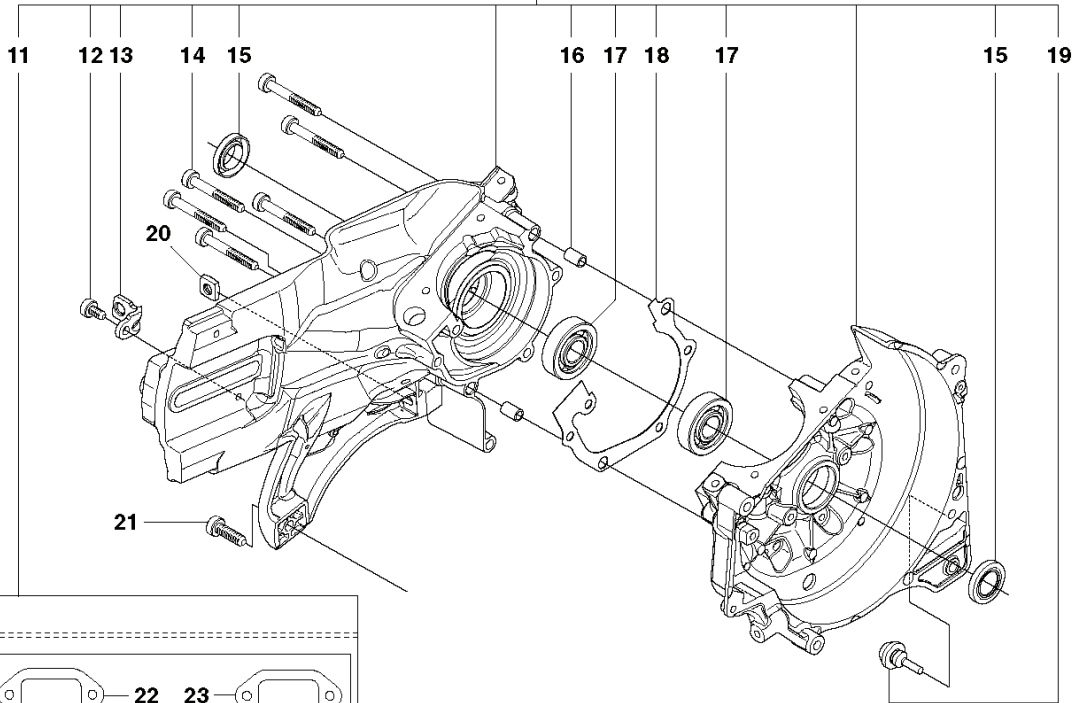
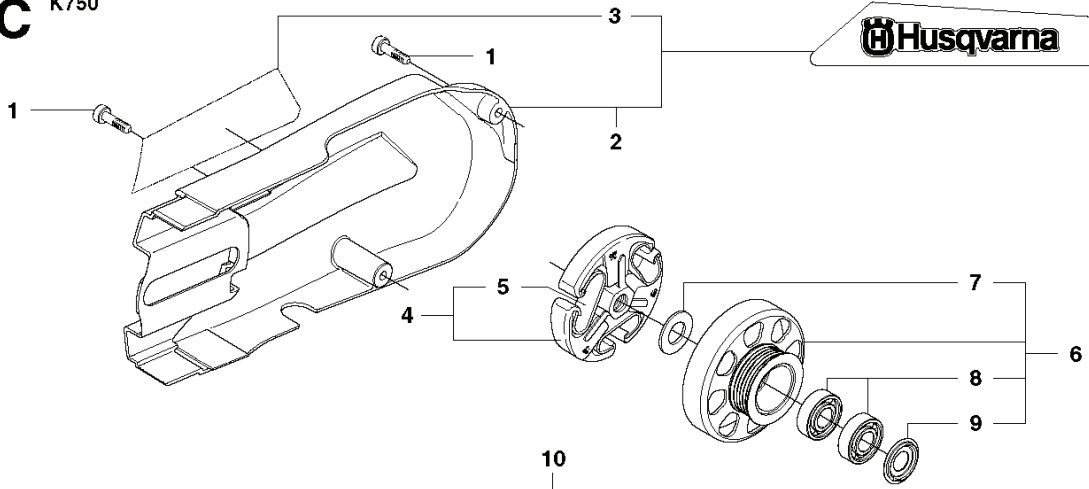


REF.	PART NO.	DESCRIPTION	REMARK	QTY.	KIT
1	503283209	CARBURETTOR	Zama C3-EL29, Incl. 2 - 43	1	
1	510181201	CARBURETTOR	Zama C3-EL43, Incl. 2 - 43 JPN	1	
2	503479601	SCREW		1	
3	544836401	PUMP COVER		1	
4	503616601	GASKET		1	
5	506396001	DIAPHRAGM PUMP		1	
6	506396501	ROD		1	
7	544082201	SCREW		2	
9	506397101	SHAFT ASSY		1	
10	506397501	SPRING		1	
11	506395401	COLLAR		2	
12	506396401	QUAD RING		4	
13	506397301	SHAFT ASSY		1	
14	506399001	O-RING		1	
15	503481801	SCREW		1	
16	506397801	VALVE		1	
17	537177001	VALVE		1	
18	522607501	CHOKE VALVE	Japan only	1	
19	506397401	SHAFT ASSY		1	
20	503535701	STRAINER		1	
21	506395801	GASKET		1	
22	503481101	PIECE		1	
23	537012601	SPRING		1	
24	537012501	BALL		1	
25	544836501	SPRING		1	
26	506397201	SCREW		1	
27	506397001	SCREW		1	
28	506396901	SCREW		1	
29	537385101	SCREW		2	
30	506397901	WASHER		2	
31	537385201	CLIP		2	
32	506399101	PLUG		1	
33	506396101	NOZZLE ASSY		1	
34	503535601	PLUG WELCH		1	
35	537177801	PLUG		1	
36	537176201	VALVE		1	
37	537273401	SPRING		1	
38	537176401	LEVER		1	
39	544082101	SCREW		1	
40	503480001	PIN RETAINING SCREW		1	
41	506396201	GASKET		2	
42	506395701	DIAPHRAGM ASSY		1	
43	506395501	COVER		1	
44	506395601	COVER		1	
45	506396601	SCREW		4	
46	506409901	GASKET KIT	Incl. 4, 5, 21, 41, 42	1	
47	506410001	GASKET KIT	Incl. 4, 5, 12, 14, 20, 21, 34- 38, 40-42	1	



**C** K750

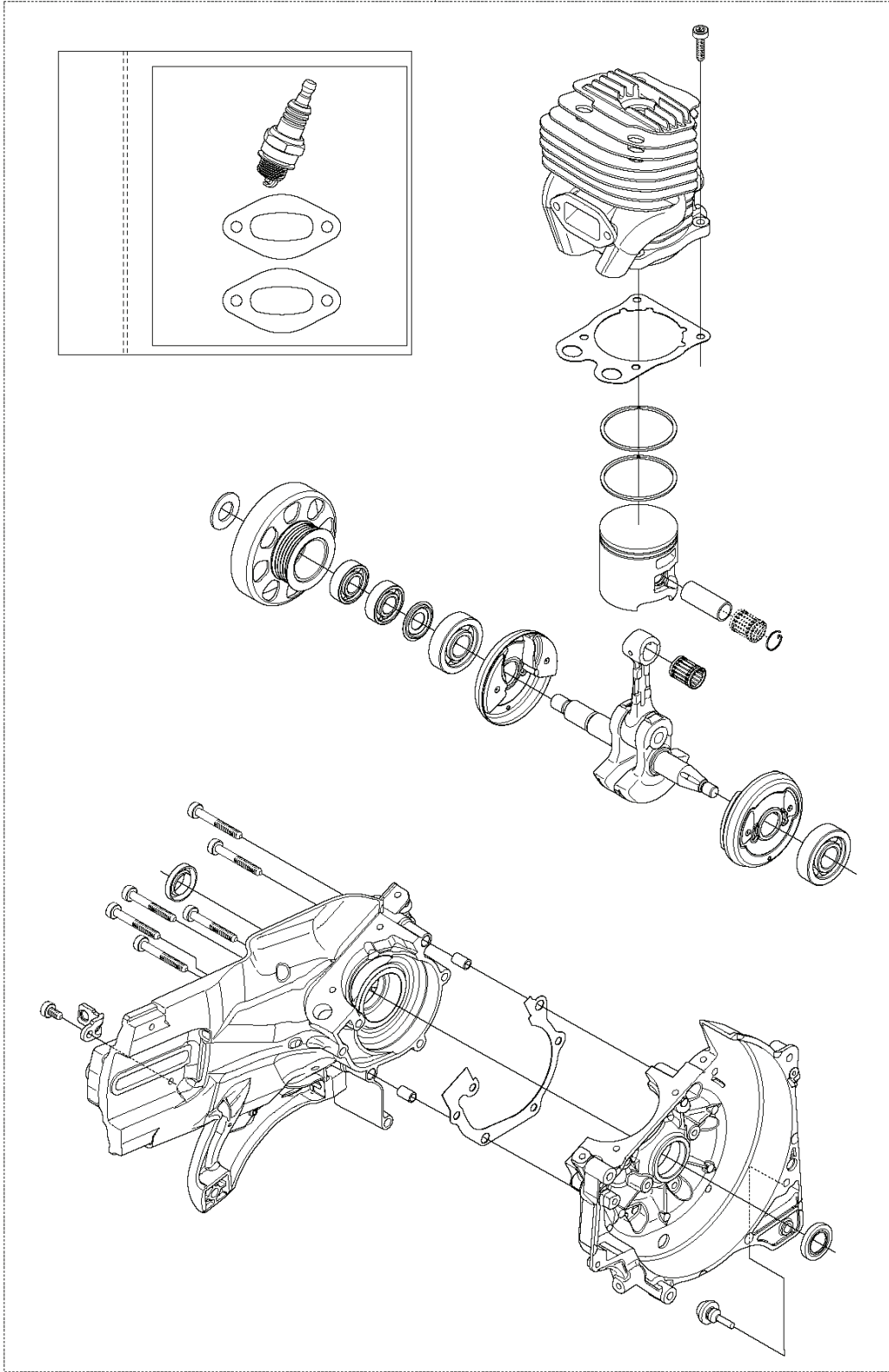
**Husqvarna**



REF.	PART NO.	DESCRIPTION	REMARK	QTY.	KIT
1	503215321	SCREW ITXSCM		2	
2	522980801	BELT GUARD ASSY	Incl. 3	1	
3	544891101	LABEL		1	
4	503744404	CLUTCH ASSY	Incl. 5	1	
5	503744301	CLUTCH SPRING		3	
6	502289202	DRIVING PULLEY ASSY	Incl. 7 - 9	1	
7	503230070	WASHER		1	
8	525831801	BALL BEARING		2	
9	506316901	DUST COVER		1	
10	544889006	CRANKCASE ASSY	Incl. 11 - 19	1	
11	506385305	GASKET KIT	Incl. 15, 18, 22 - 27	1	
12	501981001	SCREW ITXSCM		1	
13	544007801	BRACKET		1	
14	503215341	SCREW ITXSCM		6	
15	503260204	SEALING RING		2	
16	501270801	GUIDE BUSHING		2	
17	738220225	BALL BEARING		2	
18	506377003	GASKET		1	
19	503846101	BUFFER		1	
20	503226504	SQUARE NUT		1	
21	544061201	SCREW ITXSCM		1	
22	506412301	GASKET		1	
23	506376902	GASKET		1	
24	506377002	GASKET		1	
25	506376701	GASKET		1	
26	544219302	INSERT		1	
27	506376803	GASKET		1	

R K750

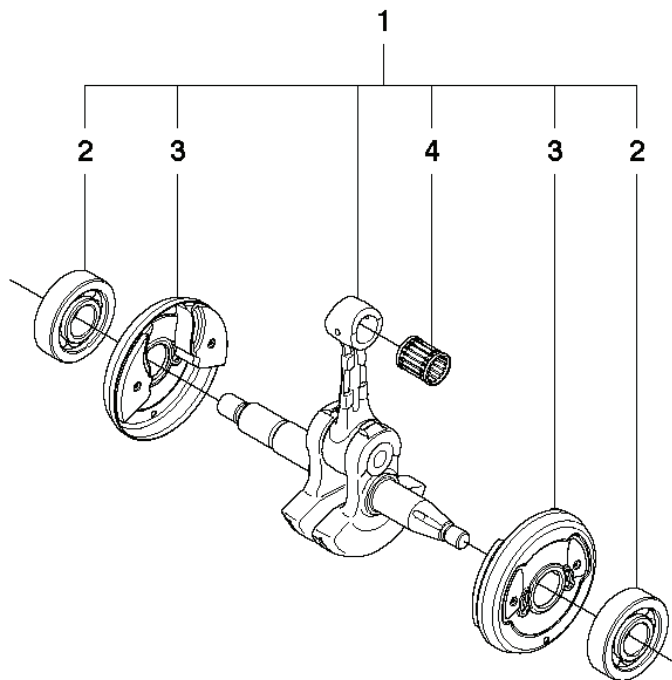
1



---

REF.	PART NO.	DESCRIPTION	REMARK	QTY.	KIT
1	544889008	CRANKCASE ASSY		1	

**E** K750



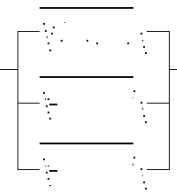
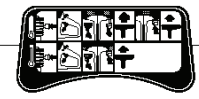
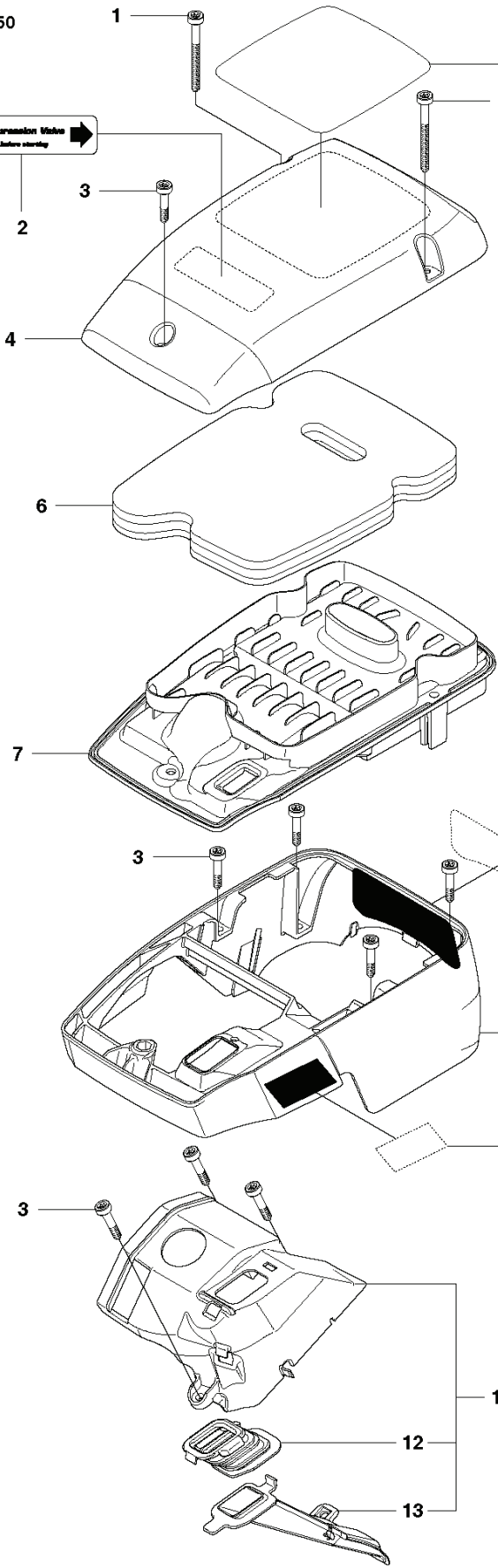
---

REF.	PART NO.	DESCRIPTION	REMARK	QTY.	KIT
1	502295002	CRANKSHAFT ASSY	Incl. 2 - 4	1	
2	738220225	BALL BEARING		2	
3	537203301	CUP		2	
4	503255601	NEEDLE BEARING		1	

**K** K750

**Decompression Valve**  
Push before starting

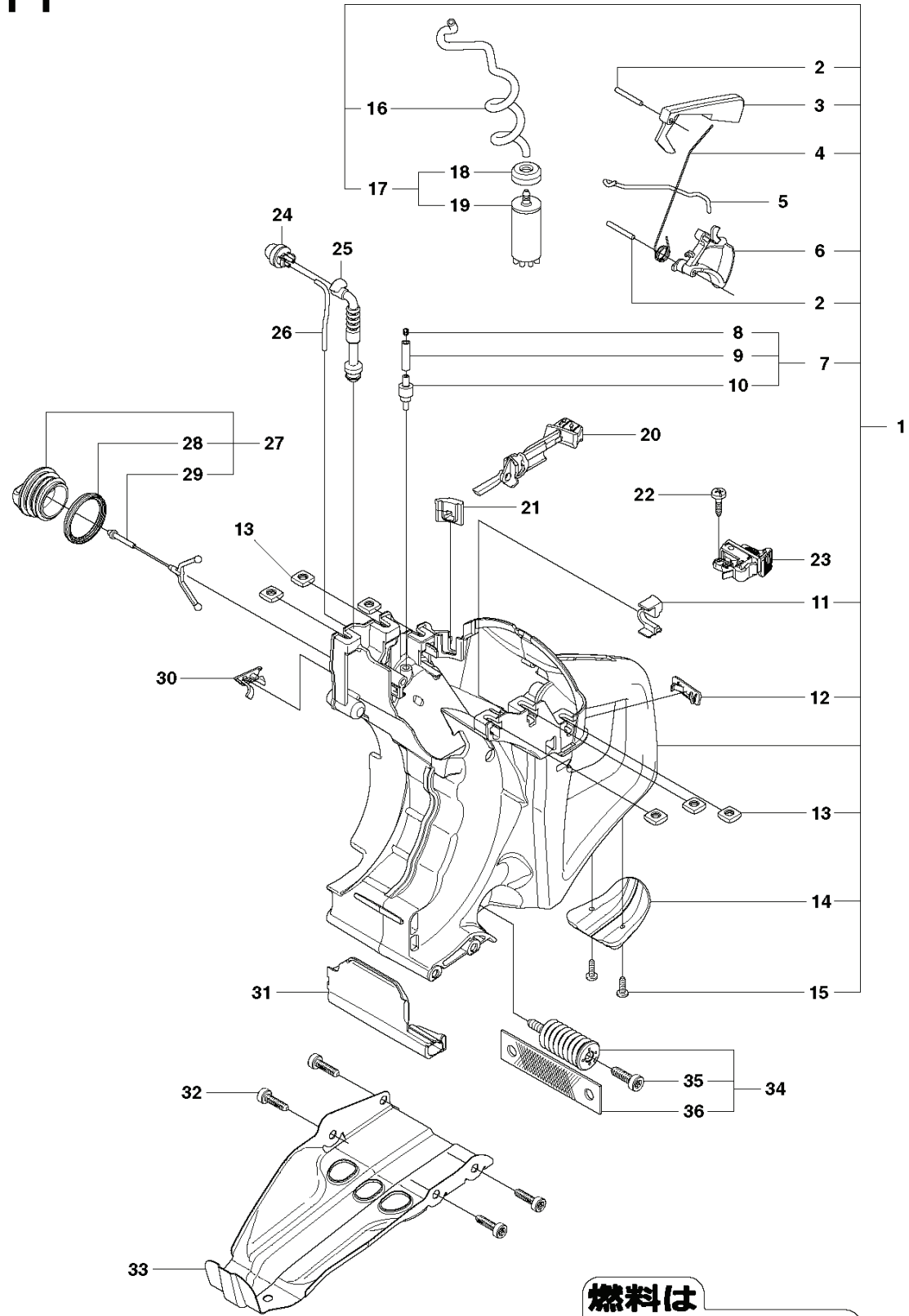
**CAUTION**  
ONLY  
FOR  
LEFT



REF.	PART NO.	DESCRIPTION	REMARK	QTY.	KIT
1	503215356	SCREW ITXSCM		2	
2	544874602	LABEL		1	
2	506259025	LABEL	Japan	1	
3	503215321	SCREW ITXSCM		8	
4	506366802	FILTER COVER		1	
5	506236415	LABEL	Japan	1	
5	505038901	LABEL	EPA USA	1	
5	505038902	LABEL	EPA Canada	1	
6	506367101	PREFILTER		1	
7	506366902	FILTER BOTTOM		1	
8	506398402	CYLINDER COVER ASSY	Incl. 9	1	
8	506398405	CYLINDER COVER ASSY	Incl. 9, Purge	1	
9	544890901	LABEL		1	
9	544890902	LABEL	Purge	1	
10	544891003	LABEL		1	
10	544891004	LABEL	Rescue	1	
10	544891005	LABEL	Oil Guard	1	
11	506386201	COVER	Incl. 12, 13	1	
12	506370401	BELLOWS		1	
13	506370301	AIR NOZZLE		1	



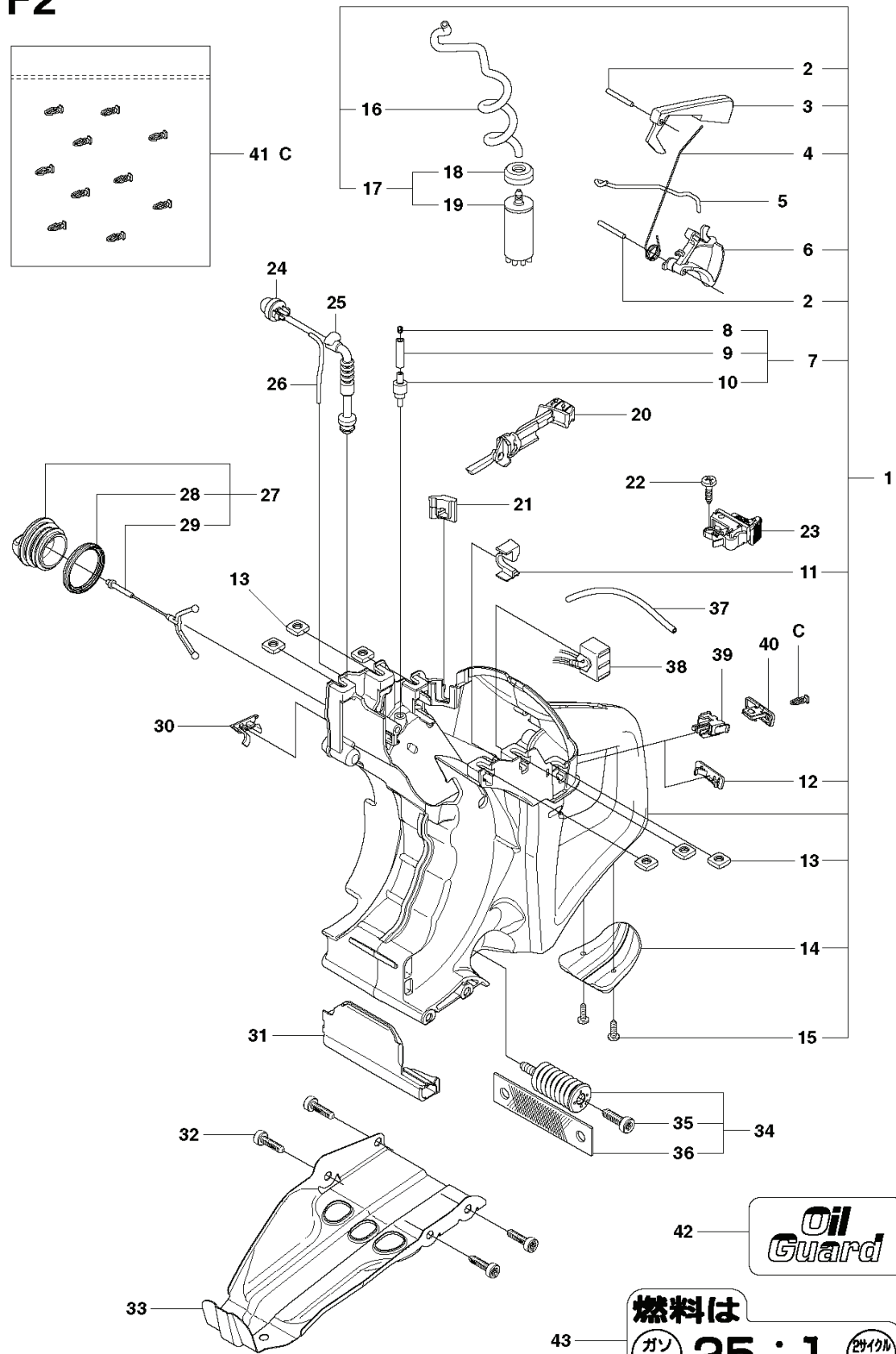
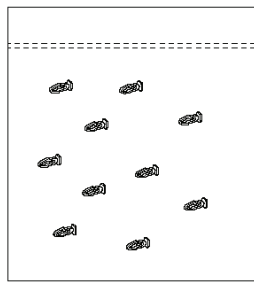
# F1 K750



燃料は  
ガソリン 25 : 1 ツライクル専用オイル

REF.	PART NO.	DESCRIPTION	REMARK	QTY.	KIT
1	506386508	FUEL TANK	Incl. 2 - 4, 6 - 7, 11 - 17, Purge	1	
1	506386512	FUEL TANK	Incl. 2 - 4, 6 - 7, 11 - 17	1	
2	720124020	PARALLEL PIN		2	
3	506222802	THROTTLE LOCKOUT		1	
4	506379501	SPRING		1	
5	506371301	THROTTLE ROD		1	
6	506372003	THROTTLE TRIGGER		1	
7	506386601	TANK VENT ASSY	Incl. 8 - 10	1	
8	504357201	PLUG		1	
9	544324929	FUEL HOSE		1	
10	503164001	TANK VENT		1	
11	544393201	HOSE CLIP		1	
12	501371301	LID		1	
13	503226504	SQUARE NUT		6	
14	506386702	GROUND SUPPORT		1	
15	503214516	SCREW CRCSFT		2	
16	544325003	FUEL HOSE		1	
17	506264111	FUEL FILTER	Incl. 18 - 19	1	
18	506271101	HOSE CLAMP		1	
19	506264101	FUEL FILTER		1	
20	544229002	CHOKE CONTROL		1	
21	506378001	GROMMET		1	
22	503212810	SCREW CCRPANT		1	
23	506318602	STOP SWITCH		1	
24	503936601	PURGE	Purge	1	
25	505195201	FUEL HOSE	Purge	1	
26	537042414	FUEL HOSE	Purge	1	
27	506255903	TANK CAP ASSY	Incl. 28 - 29	1	
28	506292101	GASKET		1	
29	503578901	HOLDER		1	
30	506394602	HUB CAP		1	
31	506381501	HEAT SHIELD	Incl. 35 - 36	1	
32	503215420	SCREW ITXSCT		4	
33	506371902	BASEPLATE		1	
34	537210307	ANTIVIBRATION ELEMENT		1	
35	544061201	SCREW ITXSCT		1	
36	544238201	BAND		1	
37	506313001	LABEL	Japan only	1	

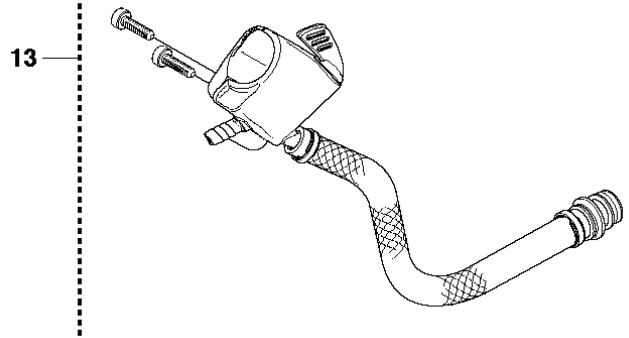
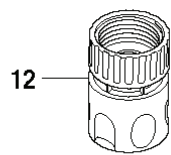
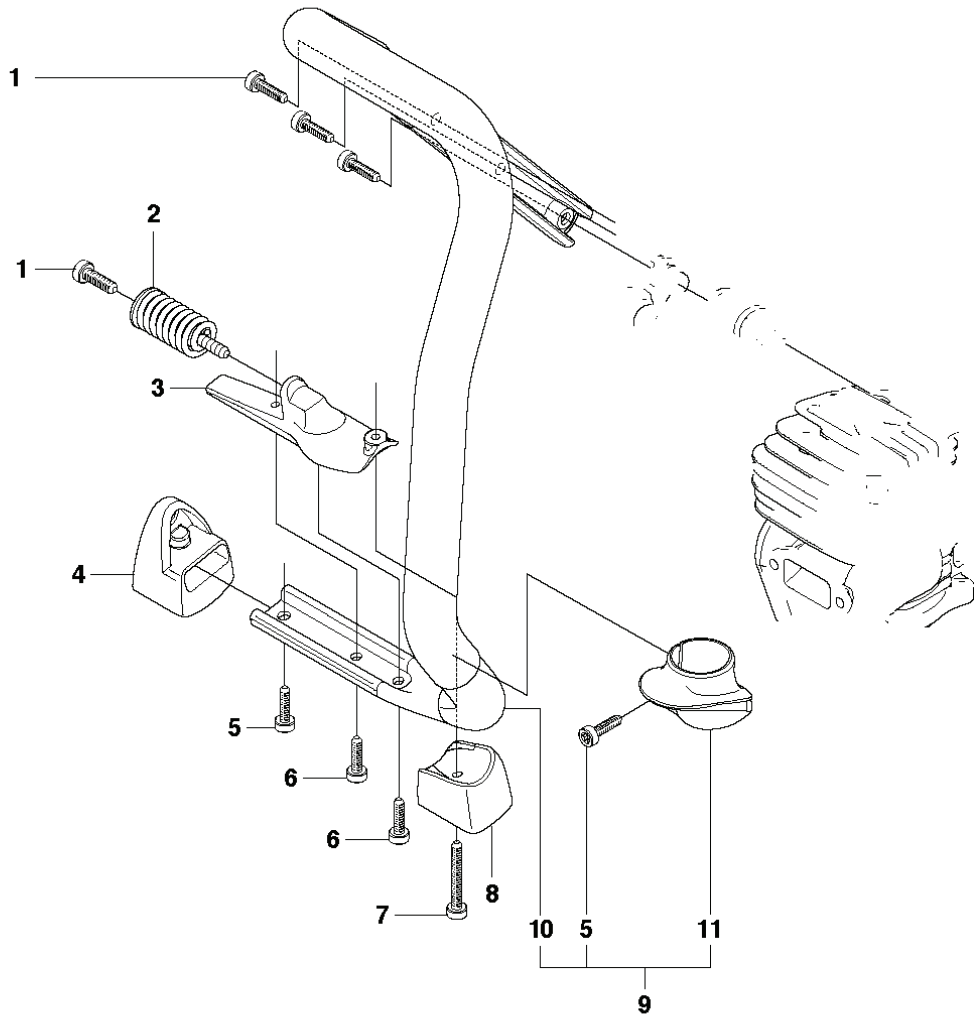
# F2 K750 Oil Guard



燃料は  
ガソリン **25 : 1** 2サイクル専用オイル

REF.	PART NO.	DESCRIPTION	REMARK	QTY.	KIT
1	506386508	FUEL TANK	Incl. 2 - 4, 3 - 7, 11 - 17, Purge	1	
1	506386512	FUEL TANK	Incl. 2 - 4, 3 - 7, 11 - 17	1	
2	720124020	PARALLEL PIN		2	
3	506222802	THROTTLE LOCKOUT		1	
3	506222803	THROTTLE LOCKOUT	Blue Oilguard	1	
4	506379501	SPRING		1	
5	506371301	THROTTLE ROD		1	
6	506372003	THROTTLE TRIGGER		1	
6	506372004	THROTTLE TRIGGER	Blue Oilguard	1	
7	506386601	TANK VENT ASSY	Incl. 8 - 10	1	
8	504357201	PLUG		1	
9	544324929	FUEL HOSE		1	
10	503164001	TANK VENT		1	
11	544393201	HOSE CLIP		1	
12	501371301	LID		1	
13	503226504	SQUARE NUT		6	
14	506386702	GROUND SUPPORT		1	
15	503214516	SCREW CRCSFT		2	
16	544325003	FUEL HOSE		1	
17	506264111	FUEL FILTER	Incl. 18 - 19	1	
18	506271101	HOSE CLAMP		1	
19	506264101	FUEL FILTER		1	
20	544229002	CHOKE CONTROL		1	
21	506378001	GROMMET		1	
22	503212810	SCREW CCRPANT		1	
23	506318602	STOP SWITCH		1	
24	503936601	PURGE	Purge	1	
25	505195201	FUEL HOSE	Purge	1	
26	537042414	FUEL HOSE	Purge	1	
27	506255903	TANK CAP ASSY	Incl. 28 - 29	1	
28	506292101	GASKET		1	
29	503578901	HOLDER		1	
30	506394602	HUB CAP		1	
31	506381501	HEAT SHIELD		1	
32	503215420	SCREW ITXSCT		4	
33	506371902	BASEPLATE		1	
34	537210307	ANTIVIBRATION ELEMENT	Incl. 35 - 36	1	
35	544061201	SCREW ITXSCM		1	
36	544238201	BAND		1	
37	544324937	FUEL HOSE	Oil Guard	1	
38	544384101	ELECTRONIC BOX	Oil Guard	1	
39	501018801	HOUSING	Oil Guard	1	
40	501019401	SWITCH	Oil Guard	1	
41	502233301	KIT	Oil Guard, Incl. 10 pins	1	
42	501318901	LABEL	Oil Guard	1	
43	506313001	LABEL	Japan only	1	

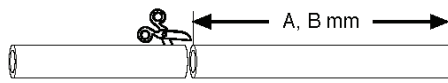
**G** K750



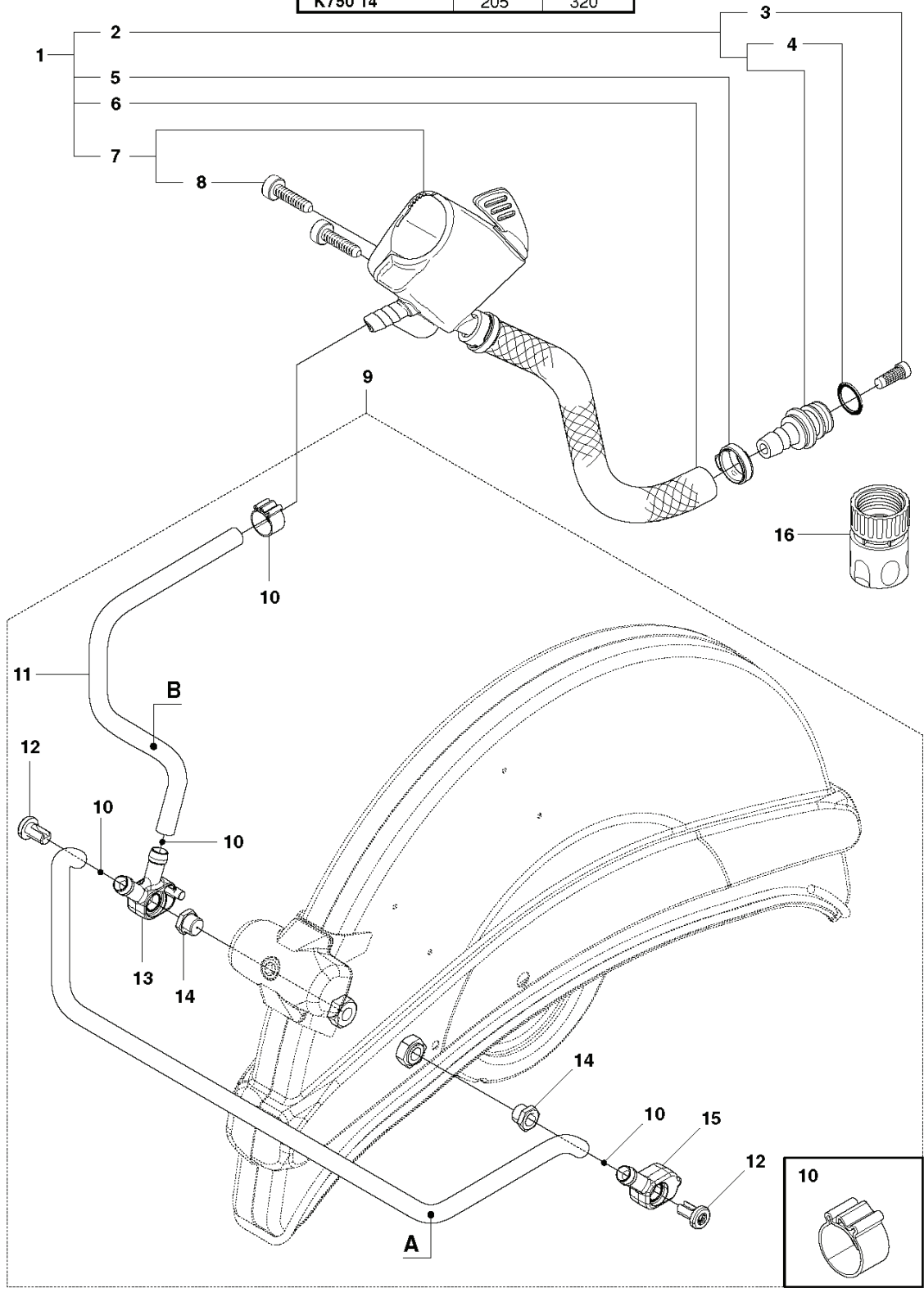
---

REF.	PART NO.	DESCRIPTION	REMARK	QTY.	KIT
1	544061201	SCREW ITXSCM		4	
2	537210306	ANTIVIBRATION ELEMENT		1	
3	506377202	SPRING RETAINER		1	
4	506375502	GROUND SUPPORT		1	
5	503215420	SCREW ITXSCT		2	
6	503215310	SCREW ITXSCM		2	
7	503215340	SCREW ITXSCM		1	
8	506375602	GROUND SUPPORT		1	
9	506385804	HANDLE		1	
10	506371103	FRONT HANDLE		1	
11	506387102	STOP		1	
12	503266003	COUPLER		1	
12	503266004	COUPLER		1	
13	505095501	HOSE KIT		1	

**N** K750



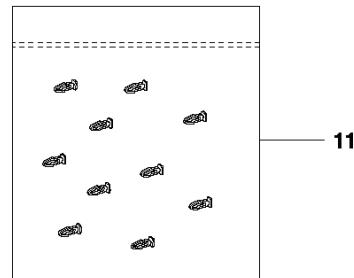
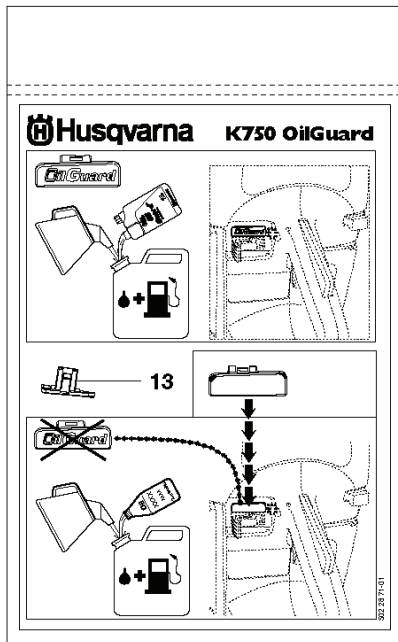
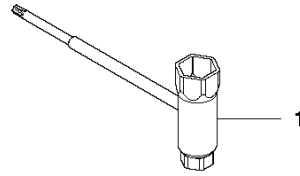
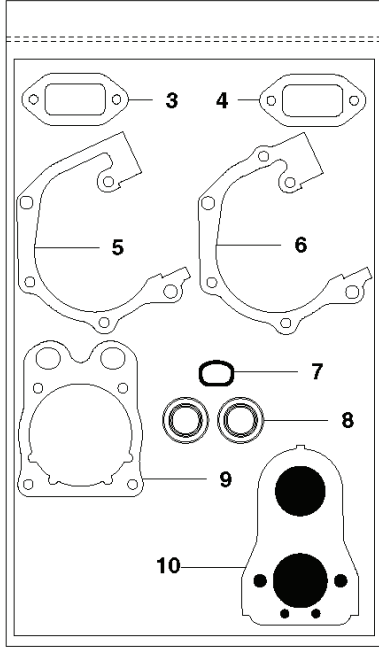
	A (mm)	B (mm)
K750 12"	165	320
K750 14"	205	320



REF.	PART NO.	DESCRIPTION	REMARK	QTY.	KIT
1	505095501	HOSE KIT	Incl. 2, 5 - 7	1	
2	506295702	NIPPLE	Incl. 3, 4	1	
3	506298801	FILTER		1	
4	505103501	O-RING		1	
5	506498702	HOSE CLAMP		1	
6	506607501	HOSE		1	
7	506386012	VALVE ASSY	Incl. 8	1	
8	503215420	SCREW ITX SCT		2	
9	505095401	HOSE KIT	Incl. 10 - 15	1	
10	506498701	HOSE CLAMP		4	
11	506606806	HOSE	620 mm	1	
12	504634601	SCREW ITX SCM		2	
13	504634401	HOUSING		1	
14	504634201	NIPPLE		2	
15	504634501	HOUSING		1	
16	503266003	COUPLER	USA	1	
16	503266004	COUPLER		1	



**P** K750



2

1

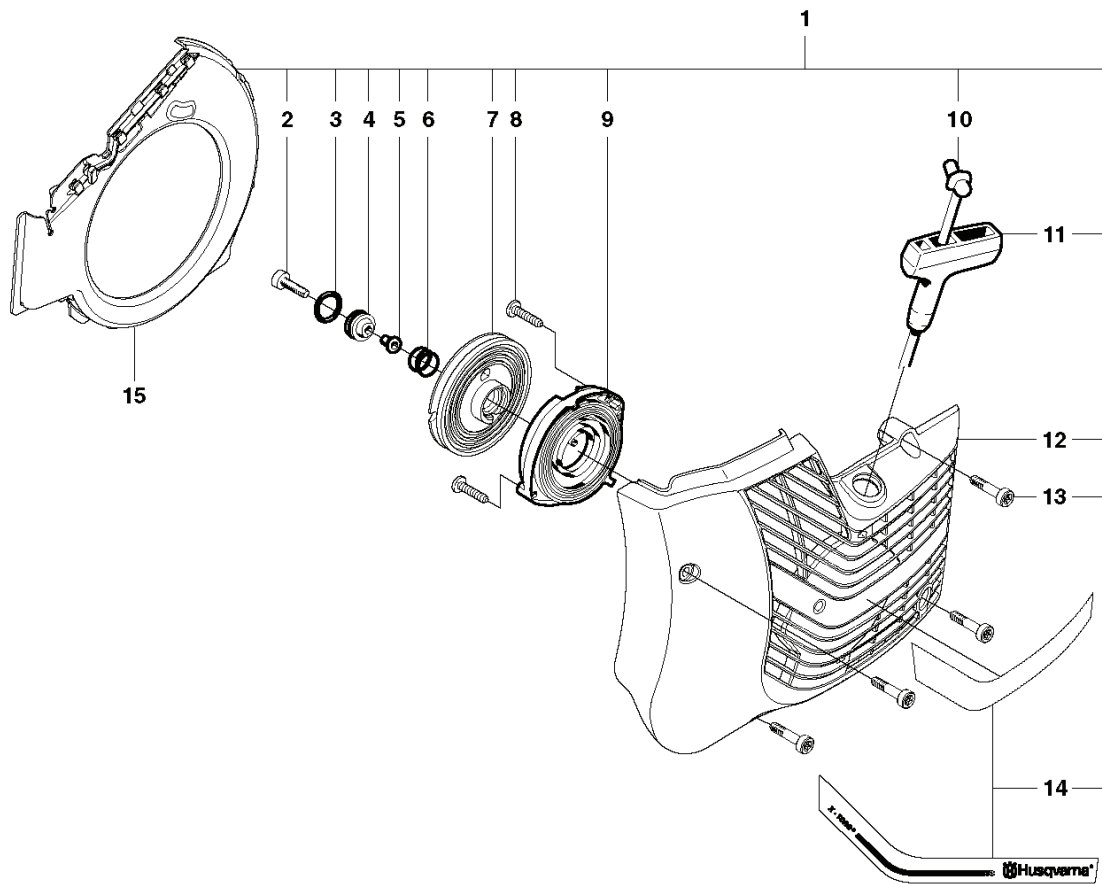
12

11

---

REF.	PART NO.	DESCRIPTION	REMARK	QTY.	KIT
1	506382601	TOOL		1	
2	506385305	GASKET KIT	Incl. 3 - 10	1	
3	506412301	GASKET		1	
4	506376902	GASKET		1	
5	506377002	GASKET		1	
6	506377003	GASKET		1	
7	544219302	INSERT		1	
8	503260204	SEALING RING		2	
9	506376701	GASKET		1	
10	506376803	GASKET		1	
11	502233301	KIT	Incl. 10 Pins	1	
12	502287001	MANUAL		1	
13	501019501	SWITCH		1	

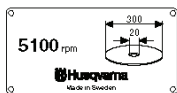
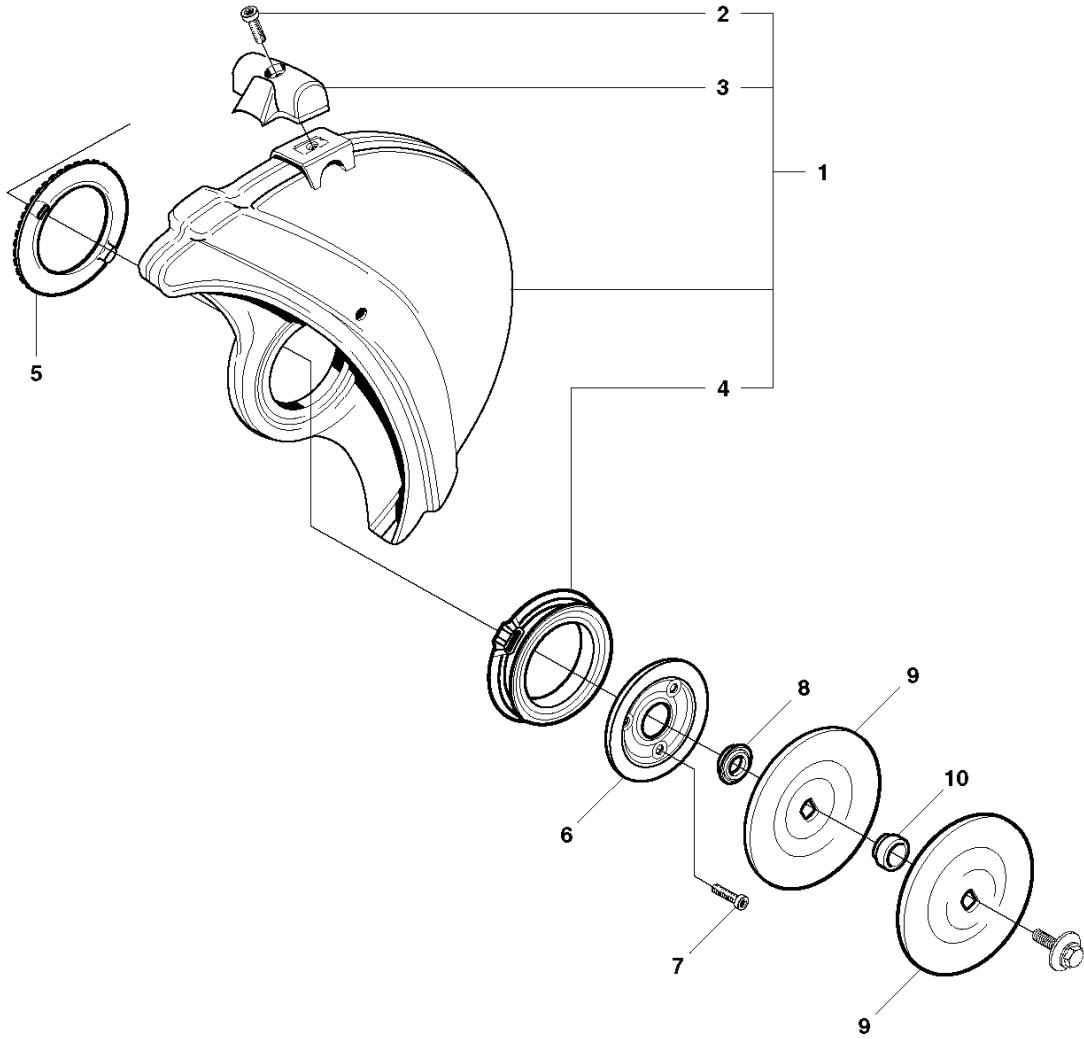
**H** K750



---

REF.	PART NO.	DESCRIPTION	REMARK	QTY.	KIT
1	506385613	STARTER	Incl. 2 - 14	1	
2	510269222	SCREW ITXSCT		1	
3	740431300	O-RING		1	
4	506251401	GROMMET		1	
5	506263101	SPACING SLEEVE		1	
6	506253001	COMPRESSION SPRING		1	
7	506258102	STARTER PULLEY		1	
8	503212810	SCREW CCRPANT		2	
9	596293101	RECOIL SPRING		1	
10	506335615	CORD		1	
10	506335650	STARTER ROPE	50 m	1	
11	503127901	STARTER HANDLE		1	
12	506369203	STARTER COVER		1	
13	503215321	SCREW ITXSCT		4	
14	544890802	LABEL		1	
15	544383901	AIR CONDUCTOR		1	

**B** K750



11

**△ 取組み上の注意 △**  
 パートナカスターは、取組み時にも危険を及ぼすことが  
 あります。完全手順のたもとに取組み時注意して下す。  
 ・チェーンピッチは、4.0mmのチェーンピッチのみに対応します。  
 ・チェーンピッチは、チェーンピッチの規格に適合する必要があります。  
 ・チェーンピッチは、チェーンピッチの規格に適合する必要があります。  
 ・チェーンピッチは、チェーンピッチの規格に適合する必要があります。  
 ・チェーンピッチは、チェーンピッチの規格に適合する必要があります。  
 ・チェーンピッチは、チェーンピッチの規格に適合する必要があります。  
 ・チェーンピッチは、チェーンピッチの規格に適合する必要があります。  
 ・チェーンピッチは、チェーンピッチの規格に適合する必要があります。  
 ・チェーンピッチは、チェーンピッチの規格に適合する必要があります。  
 ・チェーンピッチは、チェーンピッチの規格に適合する必要があります。

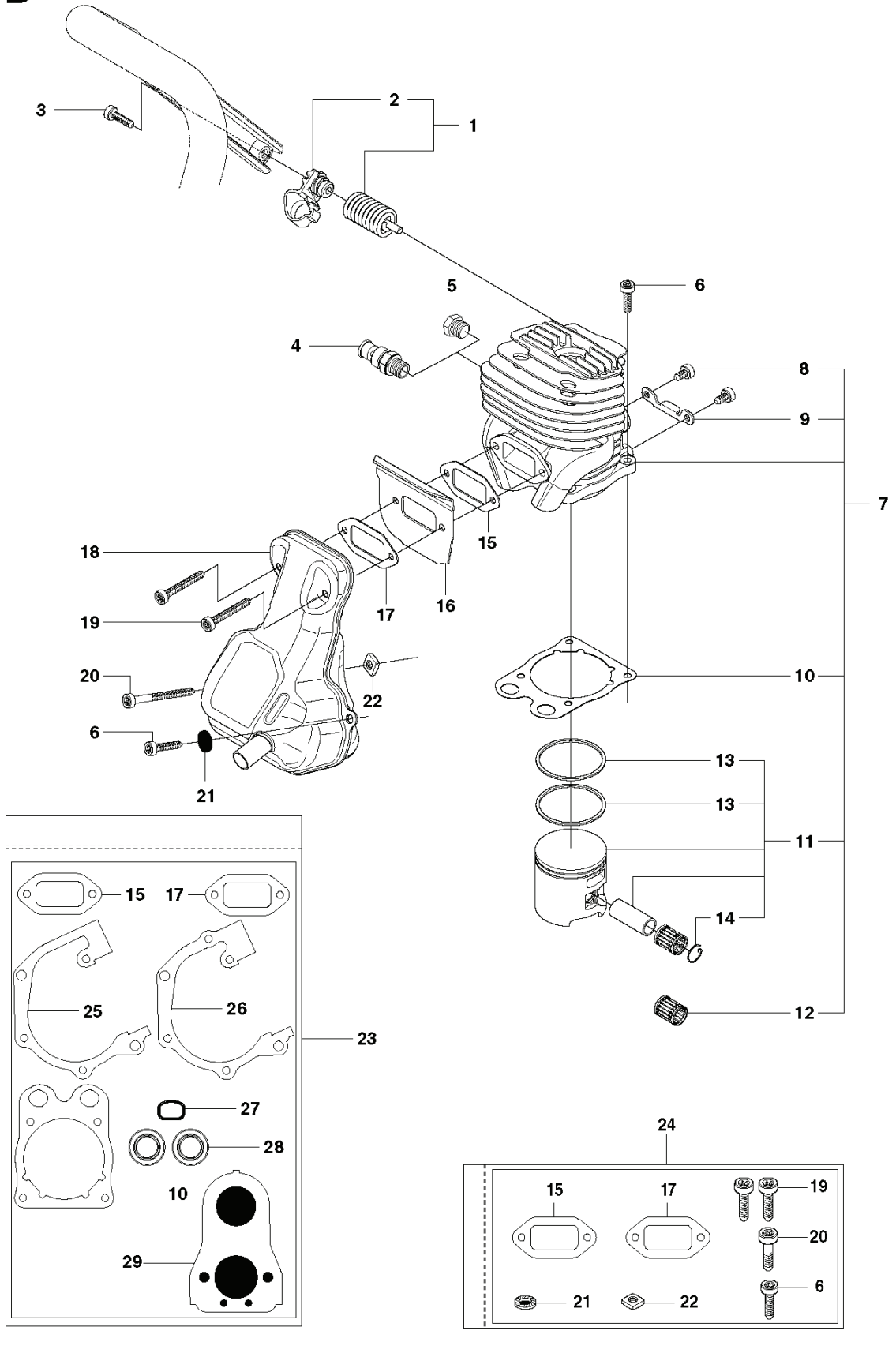
12

**警告**  
 本機に使用するスターアックス（※）は、取組み時にも危険を及ぼす  
 ことがあります。完全手順のたもとに取組み時注意して下す。  
 ・本機に使用するスターアックス（※）は、取組み時にも危険を及ぼす  
 ことがあります。完全手順のたもとに取組み時注意して下す。  
 ・本機に使用するスターアックス（※）は、取組み時にも危険を及ぼす  
 ことがあります。完全手順のたもとに取組み時注意して下す。

13

REF.	PART NO.	DESCRIPTION	REMARK	QTY.	KIT
1	506340542	BLADE GUARD	"12", Incl. 2 - 4"	1	
1	506340544	BLADE GUARD	"14", Incl. 2 - 4"	1	
2	503215320	SCREW ITXSCM		1	
3	506344602	HANDLE		1	
4	506266302	LINING		1	
5	506266401	SCREEN		1	
6	506266501	FLANGE		1	
7	505574116	SCREW ITXSCM		3	
8	506324801	SUPPORT FLANGE		1	
9	506028701	FLANGE WASHER	Diam 105 mm	2	
9	506070901	FLANGE WASHER	Diam 119 mm	2	
10	506379620	KIT	Diam 20 mm	1	
10	506379622	BUSHING	Diam 22,2 mm	1	
10	506379625	KIT	Diam 25,4 mm	1	
10	506028830	BUSHING	Diam 30,5 mm	1	
11	506284104	LABEL	"12", Diam 1"	1	
11	506284102	LABEL	"12", Diam 20 mm	1	
11	506284114	LABEL	"14", Diam 1"	1	
11	506284112	LABEL	"14", Diam 20 mm	1	
12	506243435	DECAL	Japan only	1	
13	506243525	LABEL	Japan only	1	

**D** K750



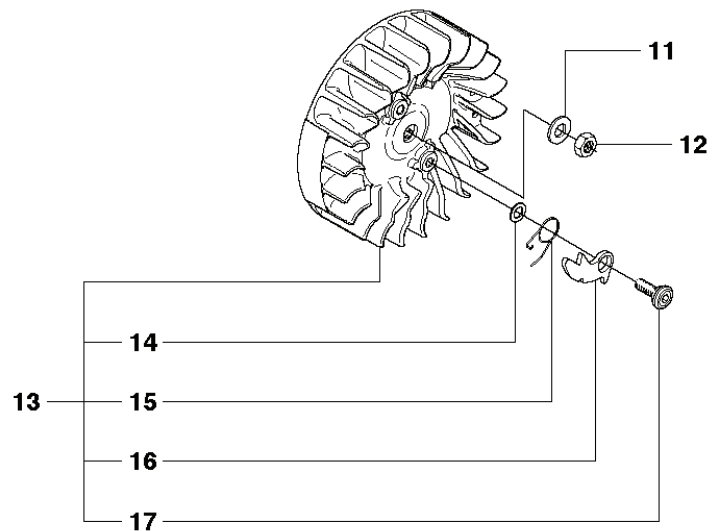
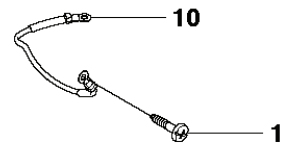
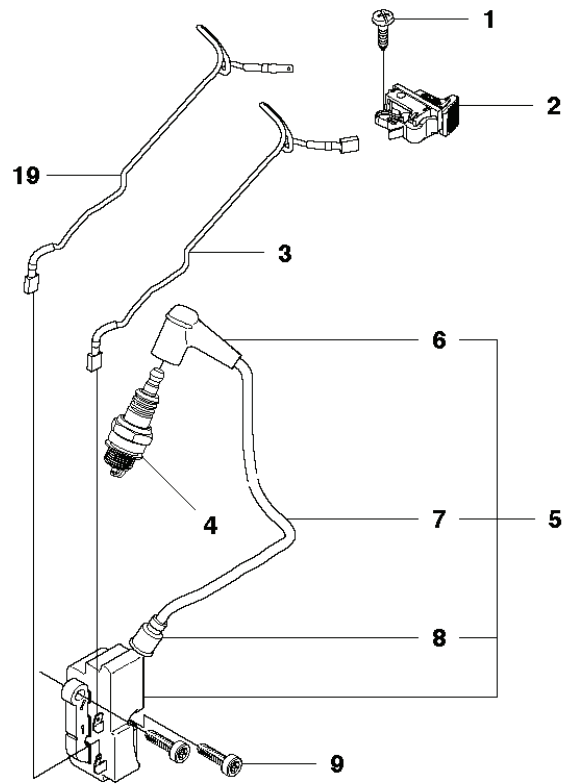
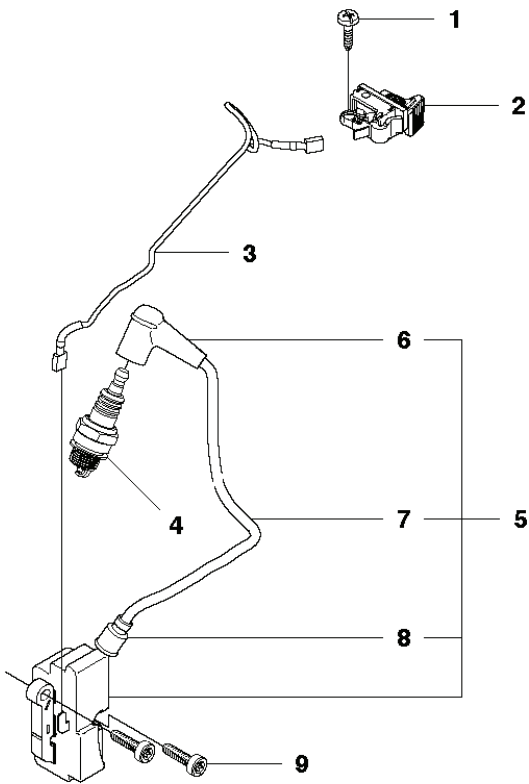
REF.	PART NO.	DESCRIPTION	REMARK	QTY.	KIT
1	505424501	ANTIVIBRATION ELEMENT	Incl. 2	1	
2	505424401	SPRING HOLDER		1	
3	544061201	SCREW ITXSCM		1	
4	503715301	DECOMPRESSION VALVE		1	
5	503552201	PLUG		1	
6	503215325	SCREW ITXSCM		5	
7	520757304	CYLINDER ASSY	Incl. 8 - 12	1	
8	503215316	SCREW ITXSCM		2	
9	506368801	BRACKET		1	
10	506376701	GASKET		1	
11	506372401	PISTON ASSY	Incl. 13 - 14	1	
12	503255601	NEEDLE BEARING		1	
13	503289047	PISTON RING		2	
14	737431200	SNAP RING		2	
15	506412301	GASKET		1	
16	506375802	COOLING AIR CONDUCTOR		1	
17	506376902	GASKET		1	
18	506364204	MUFFLER ASSY		1	
19	503215340	SCREW ITXSCM		2	
20	503215356	SCREW ITXSCM		1	
21	503230402	WASHER		1	
22	503226504	SQUARE NUT		1	
23	506385305	GASKET KIT	Incl. 10, 15, 17, 25 - 29	1	
24	505259601	MUFFLER KIT	Incl. 6, 15, 17, 19 - 22	1	
25	506377002	GASKET		1	
26	506377003	GASKET		1	
27	544219302	INSERT		1	
28	503260204	SEALING RING		2	
29	506376803	GASKET		1	



**J**

K750

K750 Oil Guard

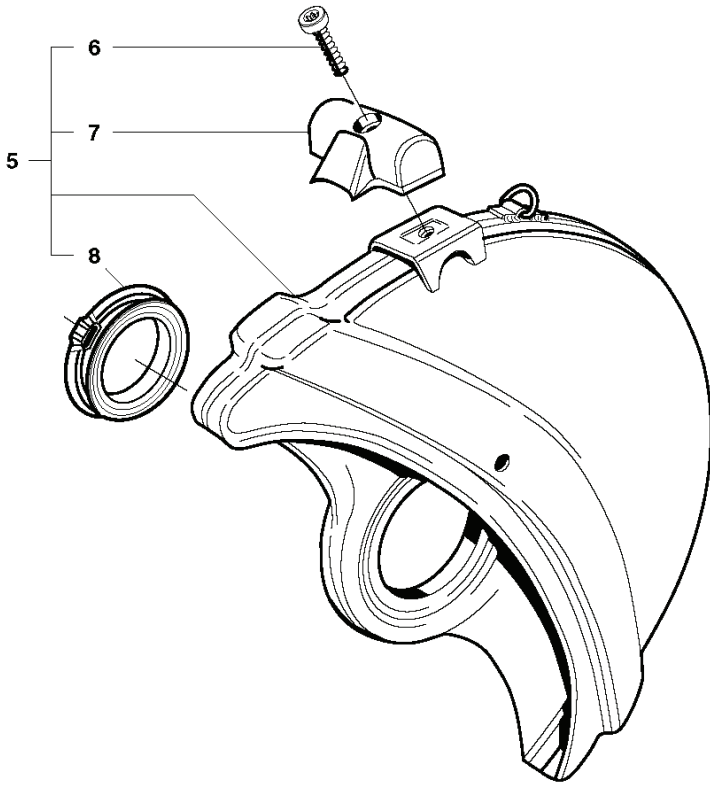
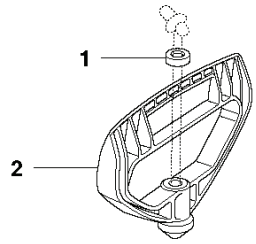


REF.	PART NO.	DESCRIPTION	REMARK	QTY.	KIT
1	503212810	SCREW CCRPANT		2	
2	506318602	STOP SWITCH		1	
3	506378402	CABLE		1	
3	544979301	CABLE	Oil Guard	1	
4	503235111	SPARK PLUG	RCJ 6 Y	1	
5	510115602	IGNITION MODULE	Incl. 6 - 8	1	
6	501485402	SPARK PLUG CAP		1	
7	506387834	IGNITION CABLE		1	
8	505277516	CABLE SLEEVE		1	
9	503215320	SCREW ITXSCM		2	
10	506378501	CABLE		1	
11	503230101	WASHER		1	
12	503221011	HEXAGON NUT		1	
13	506272710	FLYWHEEL	Incl. 14 - 17	1	
14	503230042	WASHER		2	
15	501634801	SPRING		2	
16	501673203	PAWL		2	
17	506006901	SCREW		2	
18	544384901	CABLE	Oil Guard	1	

**Q** K750

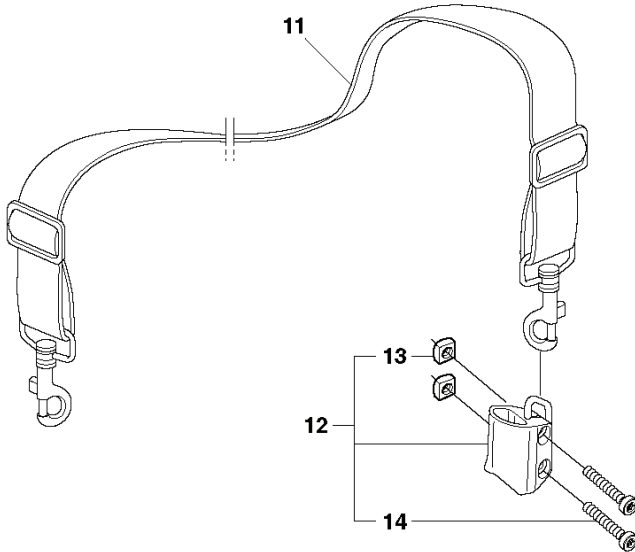
**K12 FD  
FIRE-RESCUE**

**Rescue**



9 — **Husqvarna Rescue**  
max 8100 rpm  
RECLAMP, 8500count (81127)

10 — **ATTENTION**  
This product has been certified for use by  
trained fire rescue personnel only.



---

REF.	PART NO.	DESCRIPTION	REMARK	QTY.	KIT
1	503142902	WASHER		1	
2	506297502	STARTER HANDLE		1	
3	506322002	LABEL		1	
4	506302302	LABEL		2	
5	506340552	BLADE GUARD	"Rescue 12", Incl. 6 - 8"	1	
6	503215320	SCREW ITXSCM		1	
7	506344602	HANDLE		1	
8	506266302	LINING		2	
9	544890602	LABEL		1	
10	506322202	LABEL		1	
11	506297601	SHOULDER STRAP		1	
12	506302504	BRACKET	Incl. 13, 14	1	
13	503226504	SQUARE NUT		2	
14	503215316	SCREW ITXSCM		2	