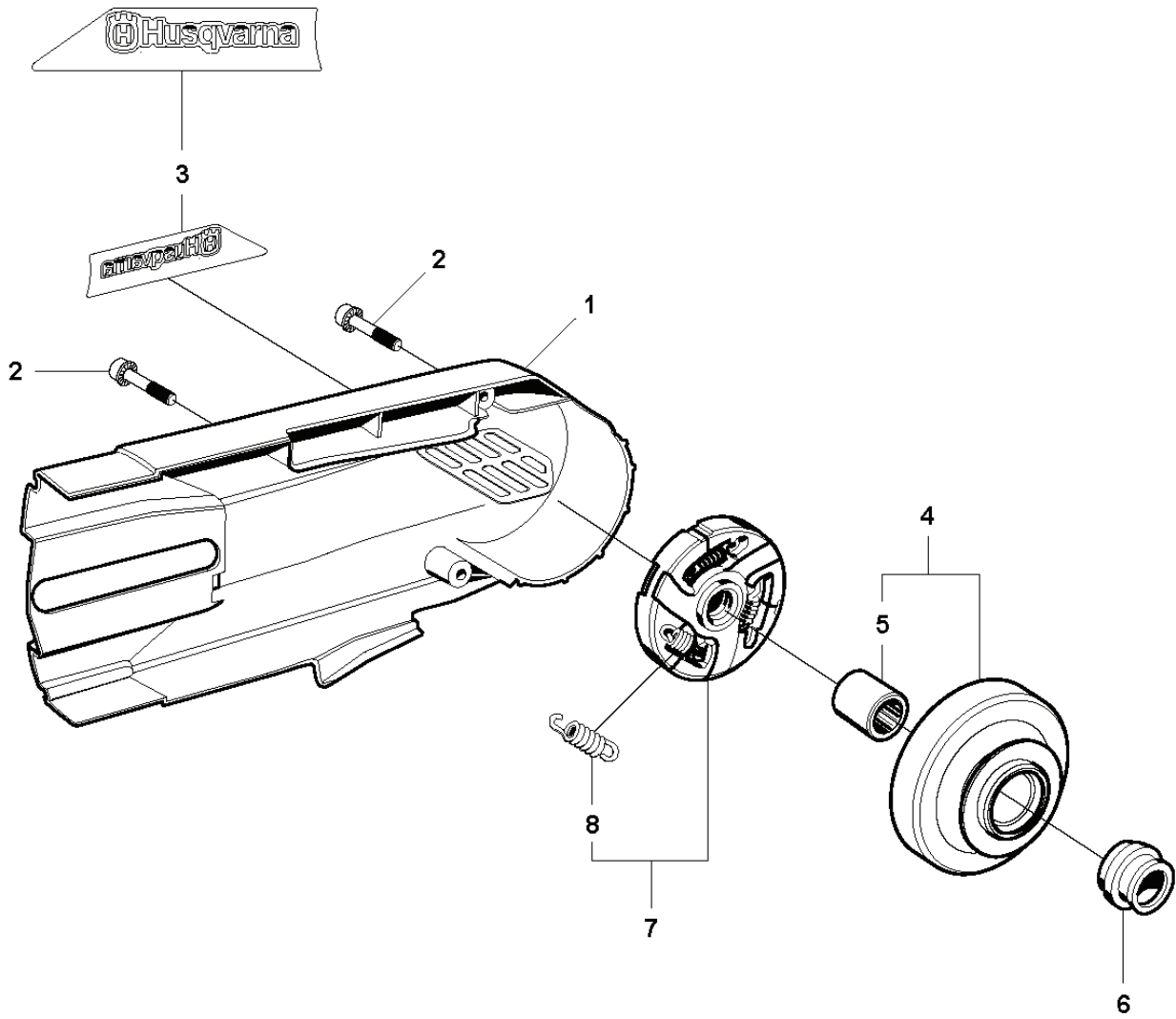


K950 Rescue, 2007-01

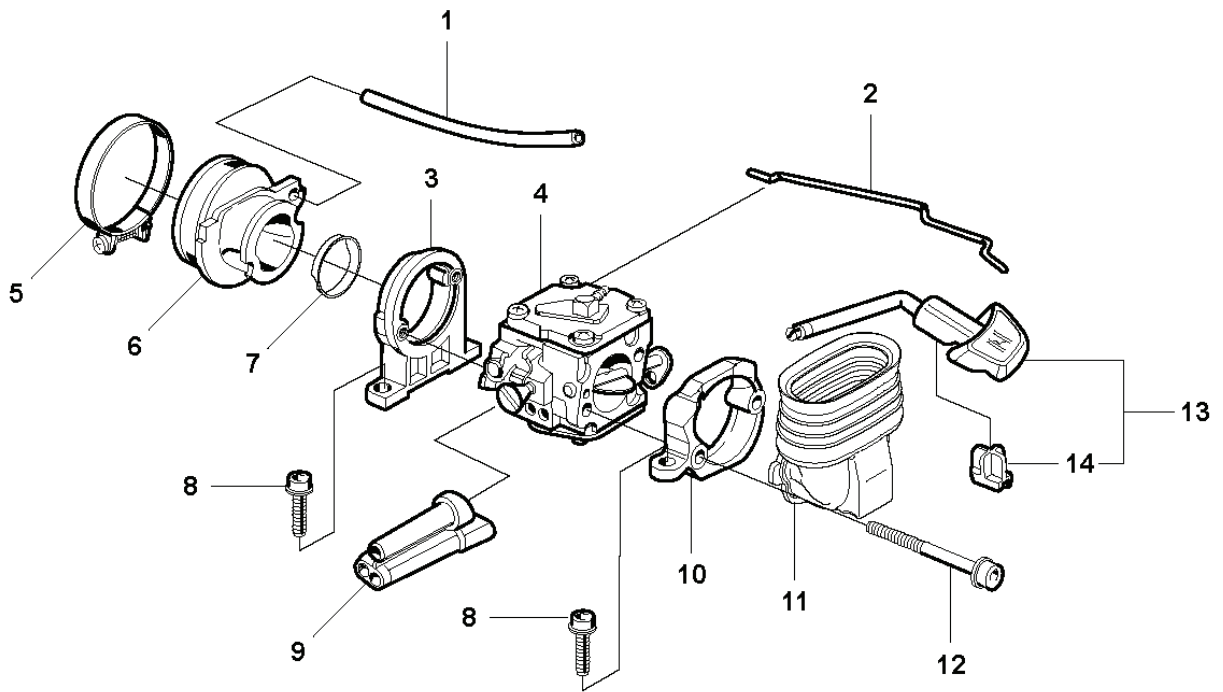
SPARE PARTS LIST

C K950 ACTIVE



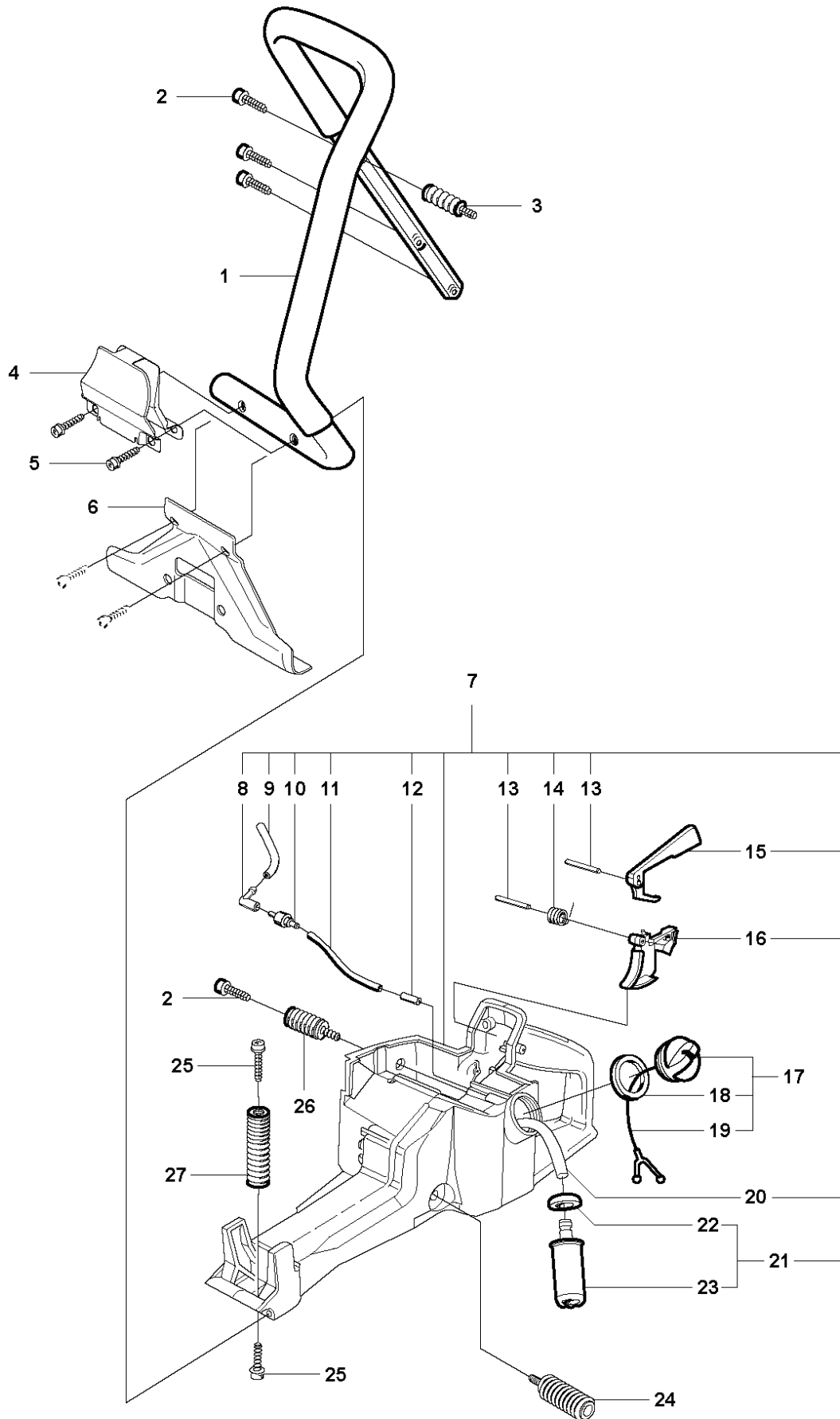
REF.	PART NO.	DESCRIPTION	REMARK	QTY.	KIT
1	506265402	BELT GUARD		1	
2	503205920	SCREW IHSCFMO		2	
3	544933101	LABEL		1	
4	506231402	GEAR WHEEL ASSY	"12". 14". Incl. 5"	1	
4	506231401	GEAR WHEEL ASSY	"16". Incl. 5"	1	
5	503253801	NEEDLE BEARING		1	
6	506285901	SPACING SLEEVE		1	
7	503701501	CLUTCH ASSY	Incl. 8	1	
8	588421501	CLUTCH SPRING		3	

L K950 ACTIVE



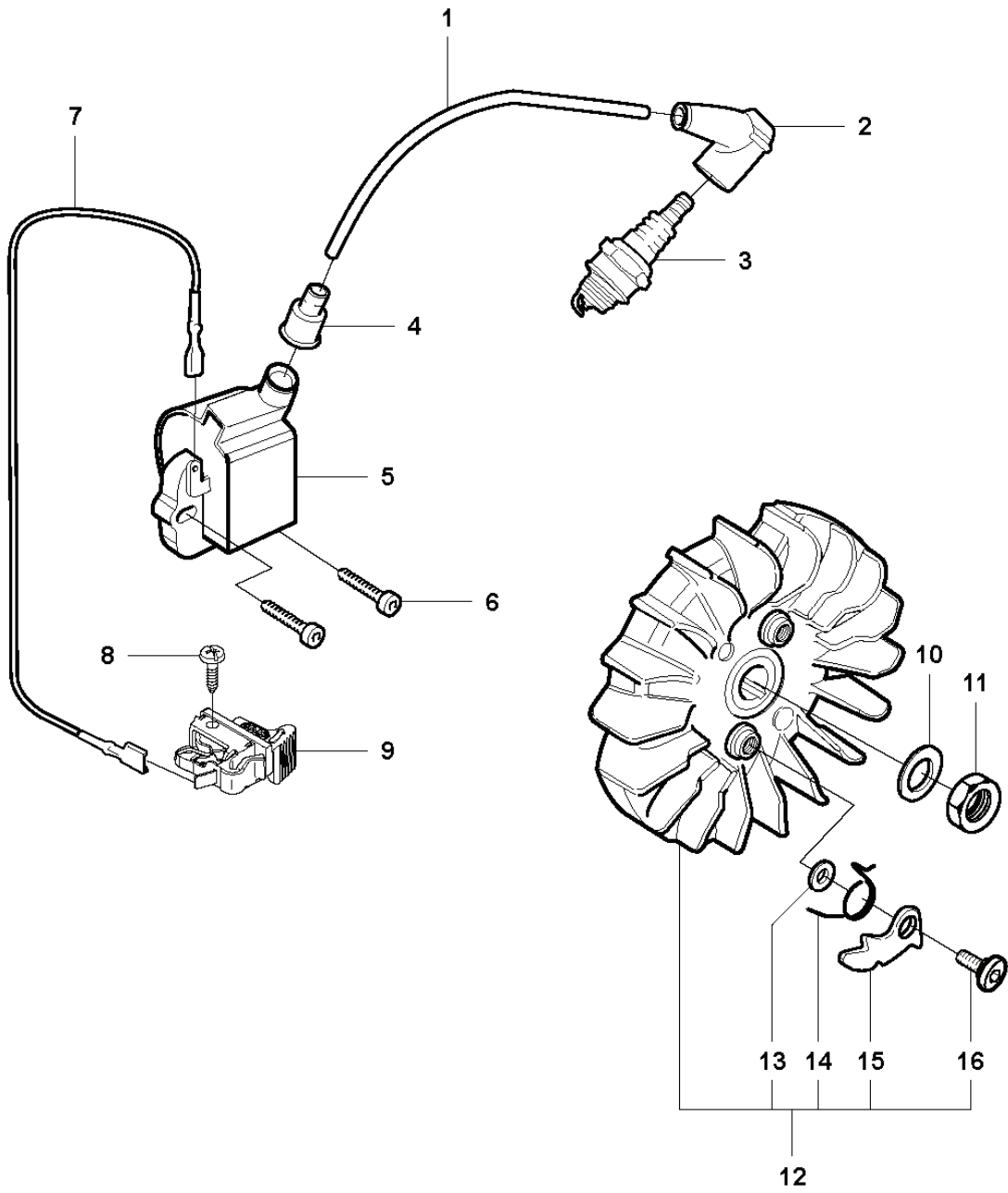
REF.	PART NO.	DESCRIPTION	REMARK	QTY.	KIT
1	503400607	IMPULSE HOSE		1	
2	506223101	THROTTLE WIRE		1	
3	506133501	CARBURETTOR BRACKET		1	
4	503280402	CARBURETTOR	HS 282-A	1	
5	503560002	HOSE CLAMP		1	
6	506221901	INLET PIPE		1	
7	503678001	SUPPORT SLEEVE		1	
8	503200216	SCREW IHSCFM		2	
9	506231201	CHISEL GUIDE		1	
10	506223901	FLANGE		1	
11	506365201	INLET BEND		1	
12	503200255	SCREW IHSCFM		2	
13	506232011	CHOKE		1	
14	506272501	WEAR PROTECTION		1	

G K950 ACTIVE



REF.	PART NO.	DESCRIPTION	REMARK	QTY.	KIT
1	506231302	FRONT HANDLE		1	
2	503210522	SCREW IHST		4	
3	506285301	ANTIVIBRATION ELEMENT		1	
4	506297901	PROTECTIVE PLATE		1	
5	503210545	SCREW IHST		2	
6	506233001	GROUND SUPPORT	"14", 16"	1	
7	506216813	FUEL TANK	Incl. 8 - 16, 20, 21	1	
8	503454601	CONNECTION BEND		1	
9	544324906	FUEL HOSE		1	
10	506236101	TANK VENT		1	
11	501768331	FUEL HOSE		1	
12	506289501	NIPPLE		1	
13	720124020	PARALLEL PIN		2	
14	506222901	SPRING THROTTLE TRIG		1	
15	506222802	THROTTLE LOCKOUT		1	
16	506222702	THROTTLE TRIGGER		1	
17	506255903	TANK CAP ASSY	Incl. 18, 19	1	
18	506292101	GASKET		1	
19	503578901	HOLDER		1	
20	503577602	FUEL HOSE		1	
21	506264111	FUEL FILTER	Incl. 22, 23	1	
22	506271101	HOSE CLAMP		1	
23	506264101	FUEL FILTER		1	
24	544383101	SPRING		1	
25	503200216	SCREW IHSCFM		2	
26	506237501	ANTIVIBRATION ELEMENT		1	
27	503468501	ANTIVIBRATION ELEMENT		1	

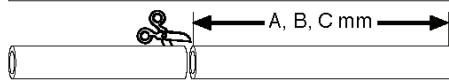
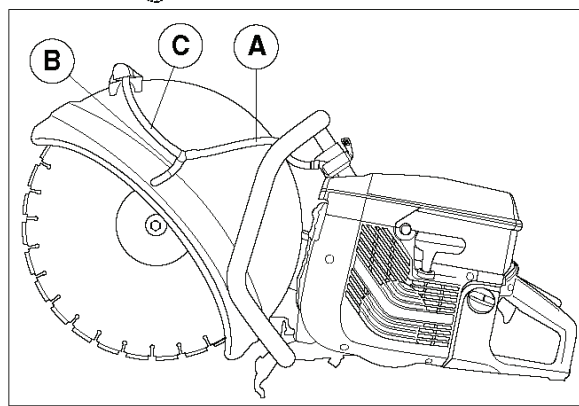
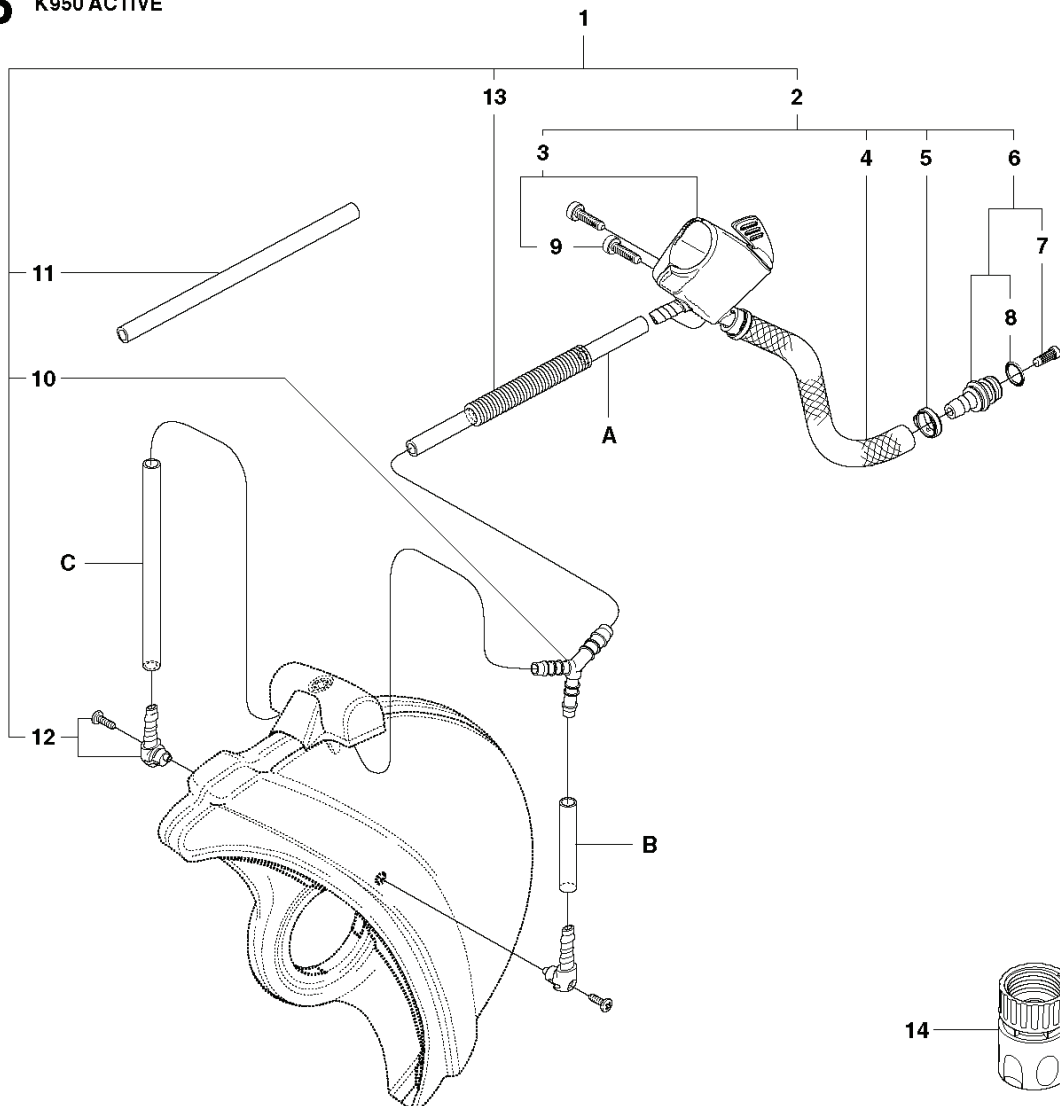
J K950 ACTIVE



REF.	PART NO.	DESCRIPTION	REMARK	QTY.	KIT
1	506387834	IGNITION CABLE		1	
2	501485402	SPARK PLUG CAP		1	
3	503235111	SPARK PLUG	RCJ 7Y	1	
4	505277516	CABLE SLEEVE		1	
5	544018801	IGNITION SYSTEM		1	
6	503202520	SCREW IHSCM		2	
7	501839801	CABLE		1	
8	503212806	SCREW CCRPANT		1	
9	506318602	STOP SWITCH		1	
10	503230101	WASHER		1	
11	503221011	HEXAGON NUT		1	
12	506272701	FLYWHEEL	Incl. 13, 14, 15, 16	1	
13	503230042	WASHER		2	
14	501634801	SPRING		2	
15	501673203	PAWL		2	
16	501819901	SCREW		2	

REF.	PART NO.	DESCRIPTION	REMARK	QTY.	KIT
1	506235911	STARTER	Incl. 2 - 15	1	
2	506337203	STARTER COVER	Incl. 3	1	
3	506222202	AIR CONDUCTOR		1	
4	503216722	SCREW IHSCFT		1	
5	740431300	O-RING		1	
6	506251401	GROMMET		1	
7	506263101	SPACING SLEEVE		1	
8	506253001	COMPRESSION SPRING		1	
9	506258102	STARTER PULLEY		1	
10	596293101	RECOIL SPRING		1	
11	503212810	SCREW CCRPANT		2	
12	506335615	CORD		1	
12	506335650	STARTER ROPE	50 m. coil	1	
13	503127901	STARTER HANDLE		1	
14	503205920	SCREW IHSCFMO		4	
15	506272302	LABEL		1	

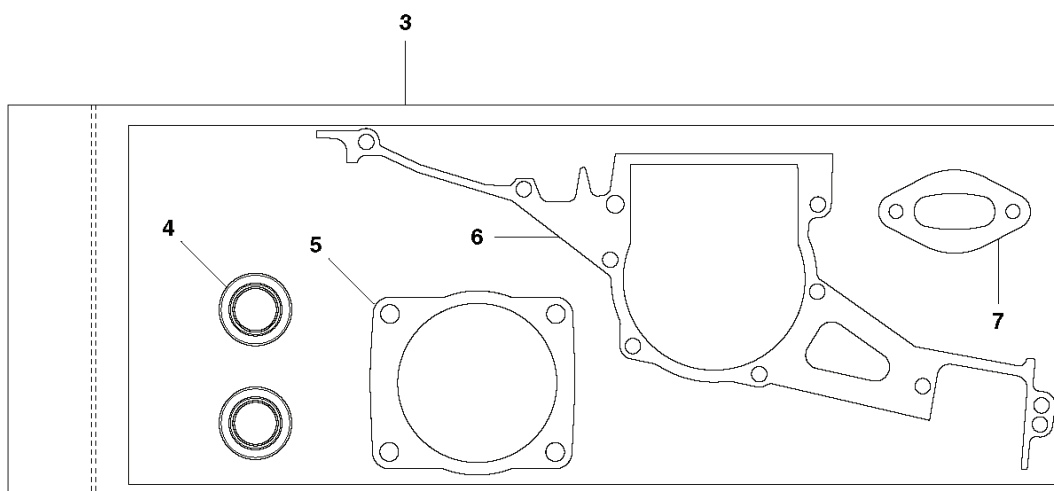
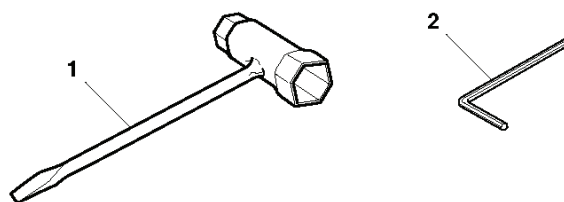
P K950 ACTIVE



Product		A (mm)	B (mm)	C (mm)
K950A	12"	240	45	240
	14"	240	45	280
	16"	270	45	360

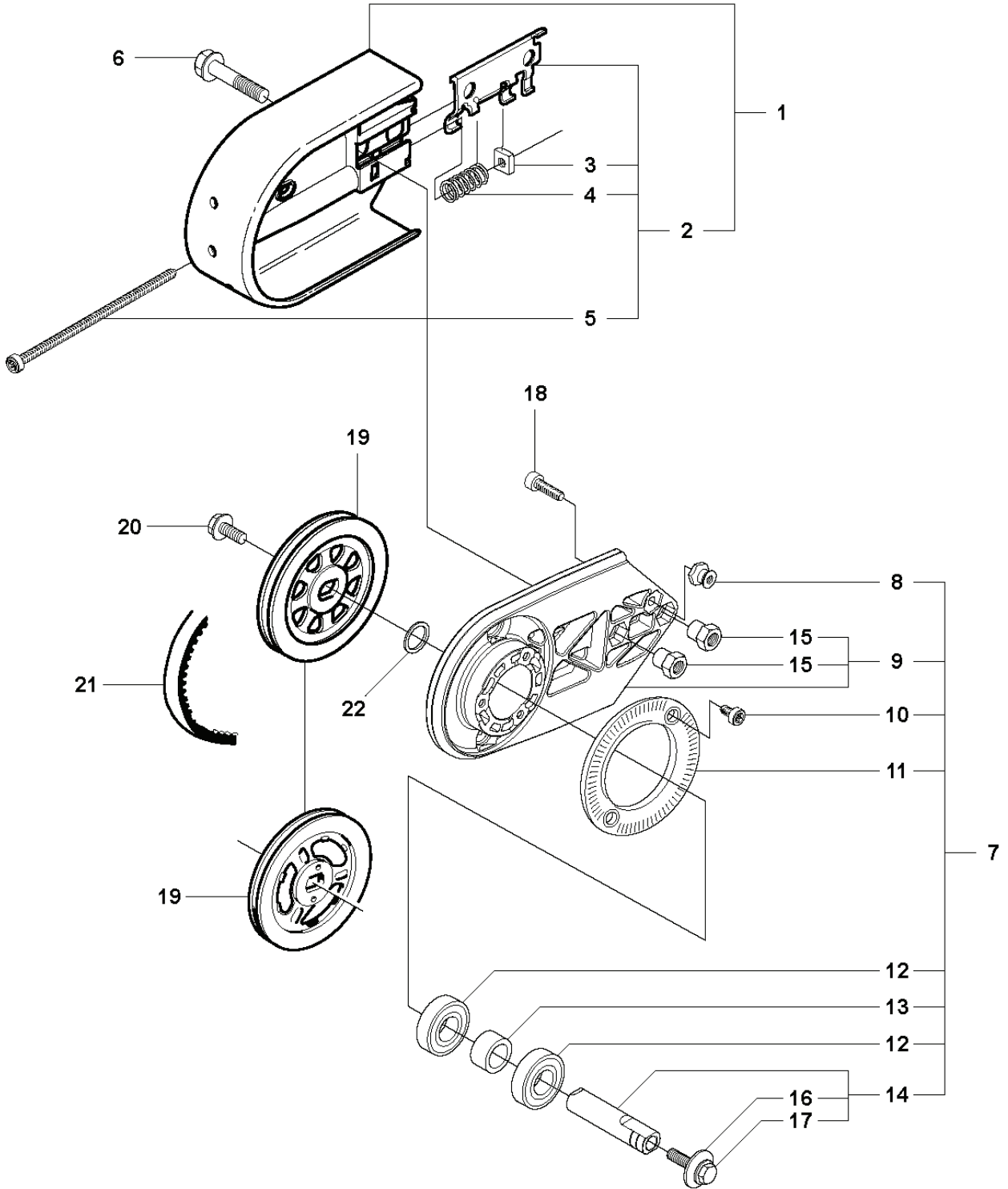
REF.	PART NO.	DESCRIPTION	REMARK	QTY.	KIT
1	544003103	HOSE KIT	Incl. 2, 10, 11, 12, 13	1	
2	506385904	HOSE ASSY	Incl. 3, 4, 5, 6	1	
3	506317731	VALVE ASSY	Incl. 9	1	
4	506097502	HOSE	L=230mm	1	
5	506095602	HOSE CLAMP		2	
6	506295702	NIPPLE	Incl. 7	1	
7	506298801	FILTER		1	
8	503263021	O-RING		1	
9	503210619	SCREW IHST		2	
10	506328701	Y-TUBE		1	
11	506095824	HOSE	800mm	1	
12	506295601	NIPPLE		2	
13	506352701	PROTECTIVE SPRING		1	
14	503266001	COUPLER		1	

N K950 ACTIVE
Accessories
Zubehöre
Accessoires
Acessorios
Tillbehör



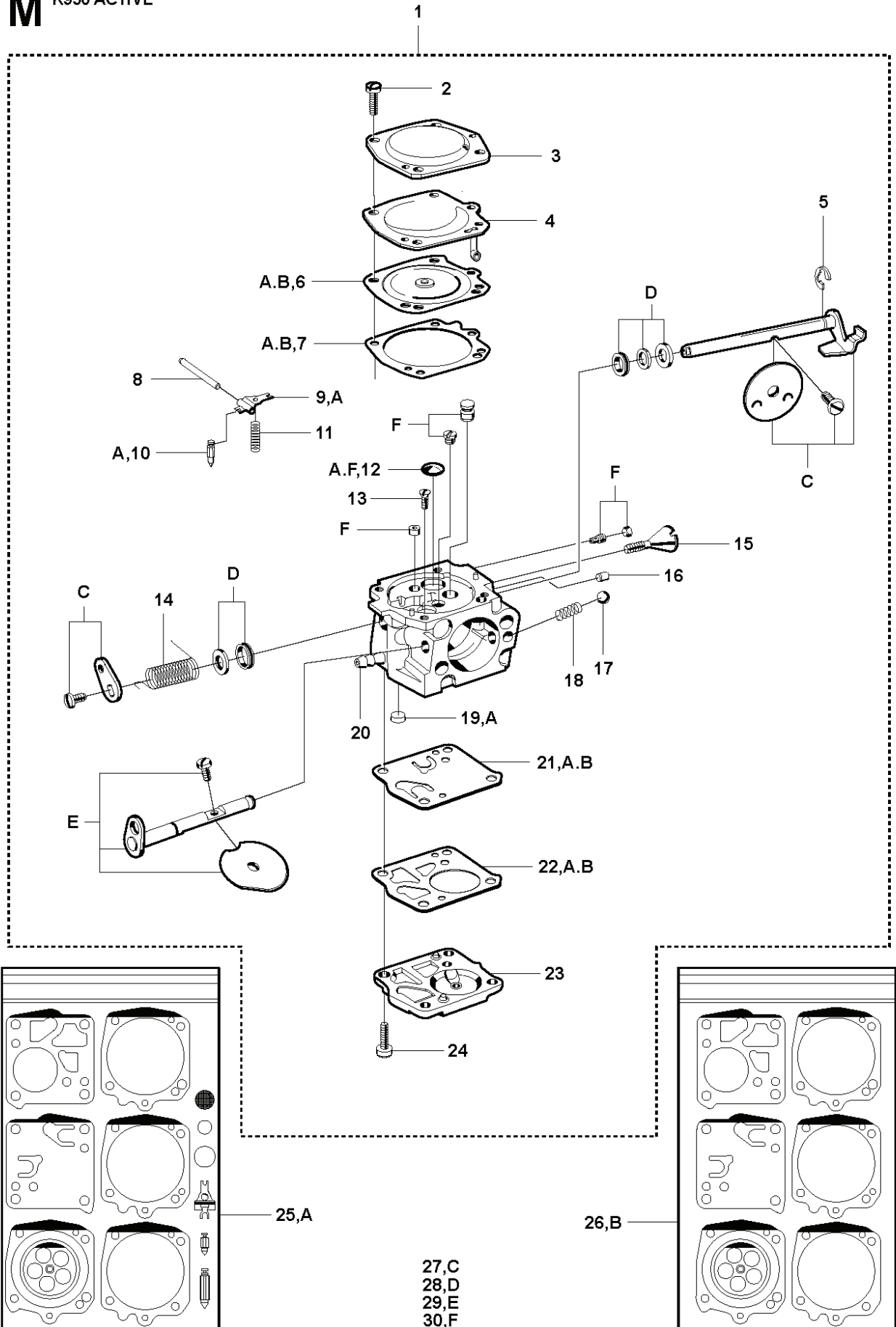
REF.	PART NO.	DESCRIPTION	REMARK	QTY.	KIT
1	501691702	COMBINATION WRENCH	13-19mm	1	
2	502215801	WRENCH	4 mm	1	
3	506290504	GASKET KIT	Incl. 4, 5, 6, 7	1	
4	503260205	SEALING RING		2	
5	506158201	GASKET		1	
6	506232401	GASKET		1	
7	506378101	GASKET		1	

A K950 ACTIVE



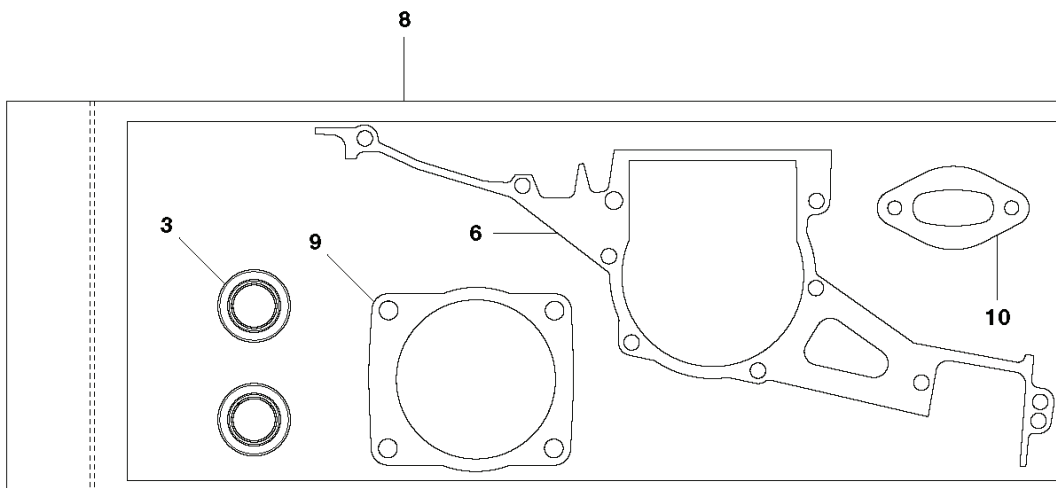
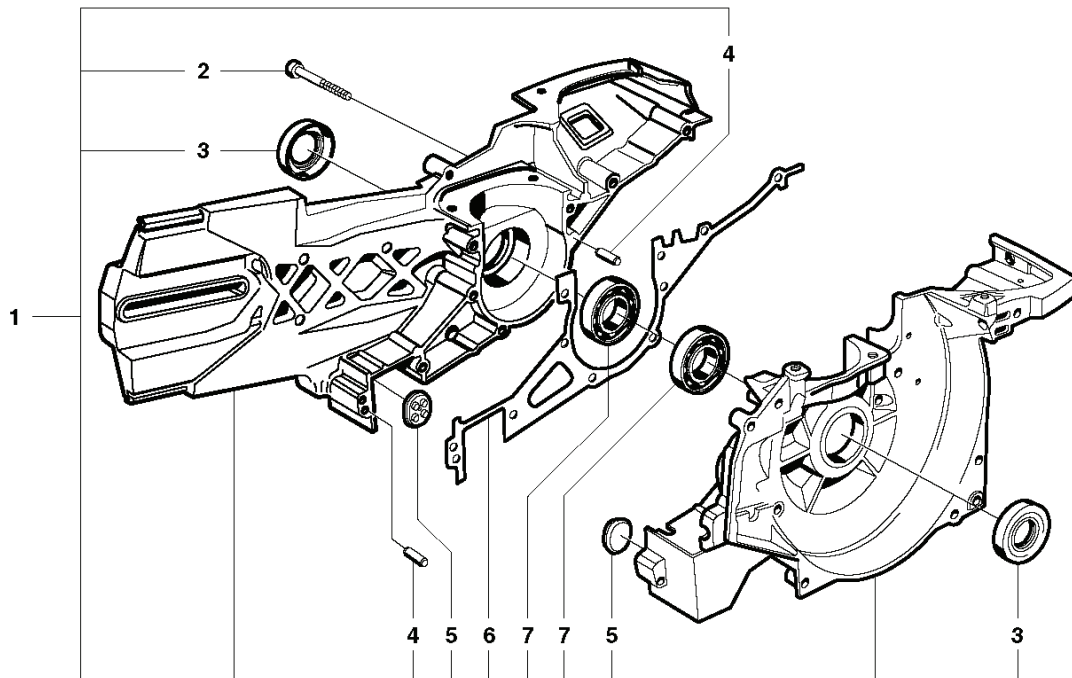
REF.	PART NO.	DESCRIPTION	REMARK	QTY.	KIT
1	506279202	BELT GUARD	"16"" Incl. 2"	1	
1	506279302	BELT GUARD	"12"" 14"" Incl. 2"	1	
2	506266601	BELT TENSIONER ASSY	Incl. 3, 4, 5	1	
3	503226601	SQUARE NUT		1	
4	506266801	COMPRESSION SPRING		1	
5	503203011	SCREW SLCHM		1	
6	506284401	SCREW EHHFM		2	
7	506394211	BEARING HOUSING	Incl. 8, 9, 10, 11, 12, 13, 14	1	
8	506143201	NUT CAP		1	
9	581351707	BEARING HOUSING	Incl. 15	1	
10	503200212	SCREW IHSCFM		2	
11	506288401	SCREEN		1	
12	503252101	BALL BEARING		2	
13	506070801	SPACING SLEEVE		1	
14	506298363	SHAFT	Incl. 16,17	1	
15	506287301	NUT		2	
16	506139511	WASHER		1	
17	506139601	SCREW EHHFM		1	
18	725532955	SCREW IHSCM		1	
19	506071802	PULLEY	"16""	1	
19	506347801	PULLEY	"12"" 14""	1	
20	503200045	SCREW EHHFM		1	
21	506347423	BELT	"14""	1	
21	506347424	BELT	"16""	1	
21	506372723	BELT	"12""	1	
22	503230104	WASHER		1	

M K950 ACTIVE



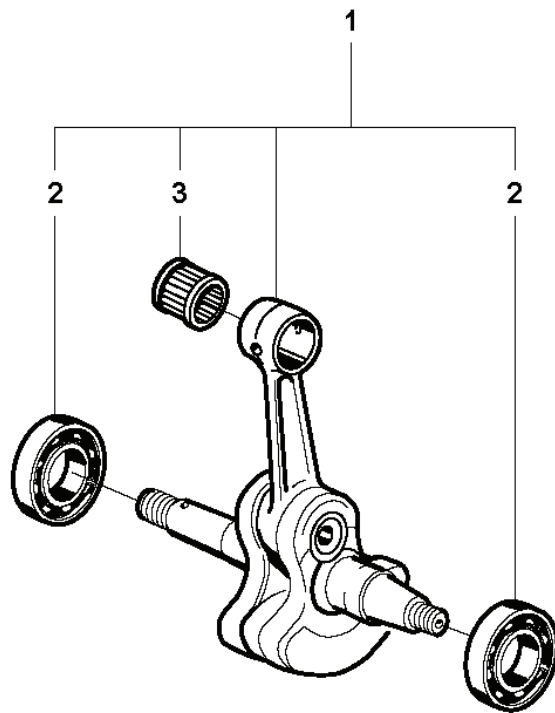
REF.	PART NO.	DESCRIPTION	REMARK	QTY.	KIT
1	503280402	CARBURETTOR	Incl. 2-24	1	
2	506271401	MET.RETENTION SCREW		4	
3	503533601	DIAPHRAGM		1	
4	506256402	INSERT		1	
5	501821801	THROTTLE SH: E'RING		1	
6	506258501	DIAPHRAGM	A, B	1	
7	506258401	DIAPHRAGM	A, B	1	
8	501222101	PIN		1	
9	501222001	LEVER	A	1	
10	505316550	NEEDLE		1	
11	501222501	SPRING	A	1	
12	501220301	PLUG	A, F	1	
13	501485201	SCREW		1	
14	506286301	SPRING THROTT.RETURN		1	
15	503578701	IDLE SPEED SCREW		1	
16	503578601	BALL		1	
17	501220401	BALL		1	
18	501220501	SPRING		1	
19	503988201	SCREEN		1	
20	503533901	TUBE CONNECTOR	A	1	
21	501221201	DIAGRAM	A, B	1	
22	501221301	GASKET	A, B	1	
23	506286801	FUEL PUMP COVER		1	
24	501221501	SCREW		4	
25	506276301	REPAIR KIT	Incl. 6, 7, 9, 11, 12, 20, 21, 22	1	
26	506258801	DIAPHRAGM	Incl. 6, 7, 21, 22	1	
27	506290901	THROTTLE SHAFT(KIT)	Kit C	1	
28	506291001	SEALING, KIT	Kit D	1	
29	506291101	CHOKE SHAFT (KIT)	Kit E	1	
30	506291301	JET	Kit F	1	

D K950 ACTIVE



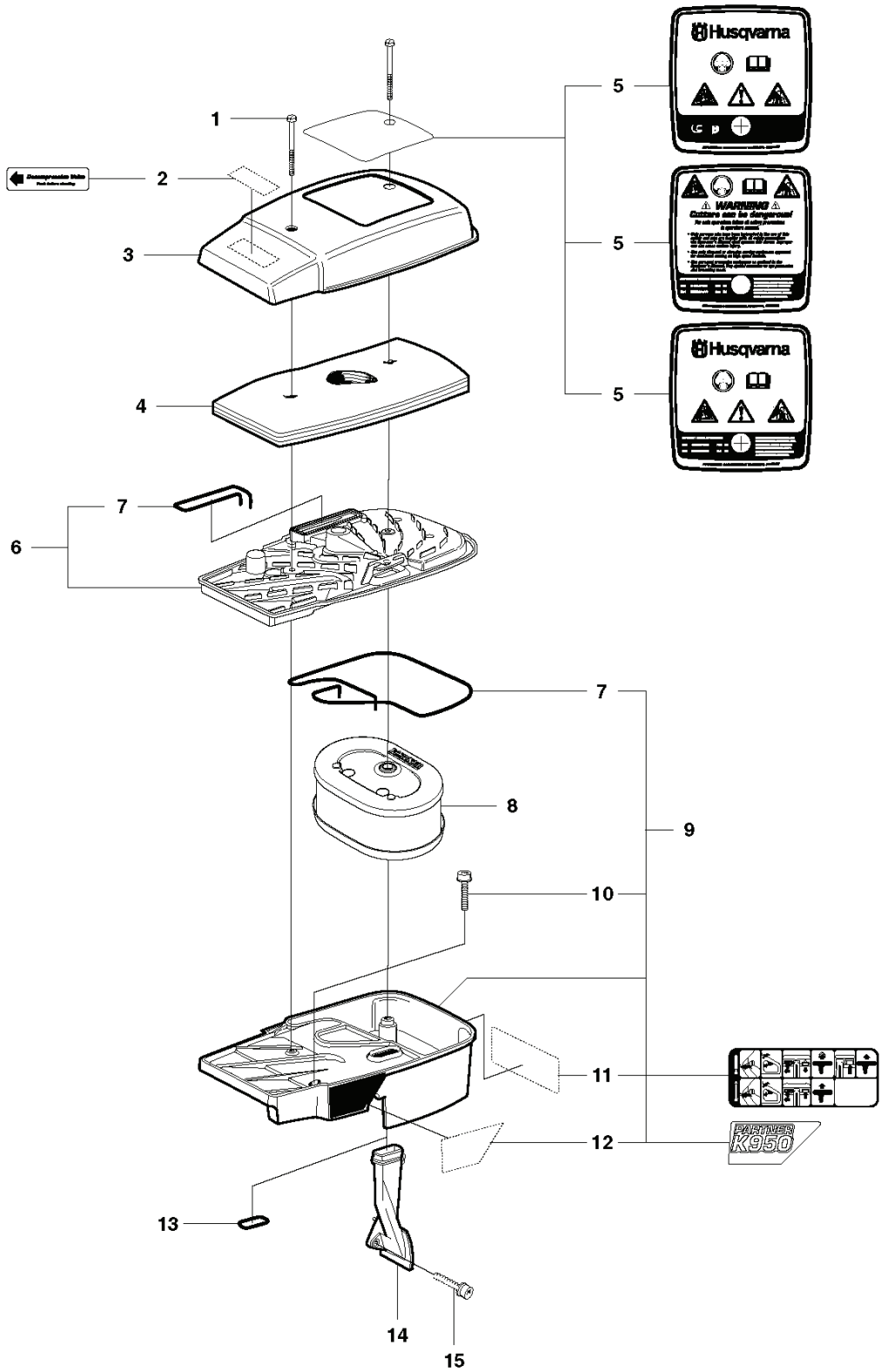
REF.	PART NO.	DESCRIPTION	REMARK	QTY.	KIT
1	506233307	CRANKCASE ASSY	Incl. 2, 3, 4, 5, 6, 7	1	
2	725534055	SCREW IHSCM		9	
3	503260205	SEALING RING	Gasket kit 8	2	
4	720130710	PARALLEL PIN		2	
5	506273101	BUFFER		2	
6	506232401	GASKET	Gasket kit 8	1	
7	503250002	BALL BEARING		2	
8	506290504	GASKET KIT		1	
9	506158201	GASKET		1	
10	506378101	GASKET		1	

F K950 ACTIVE



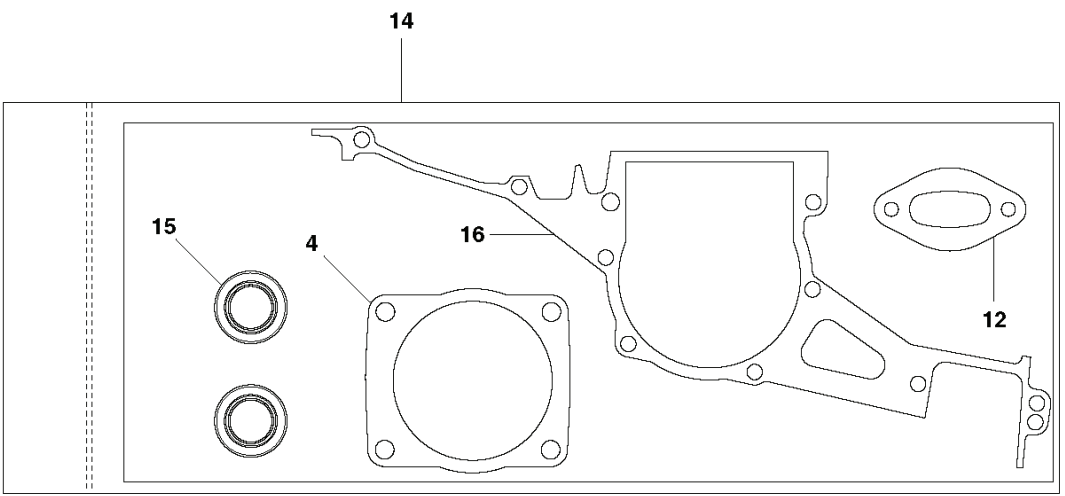
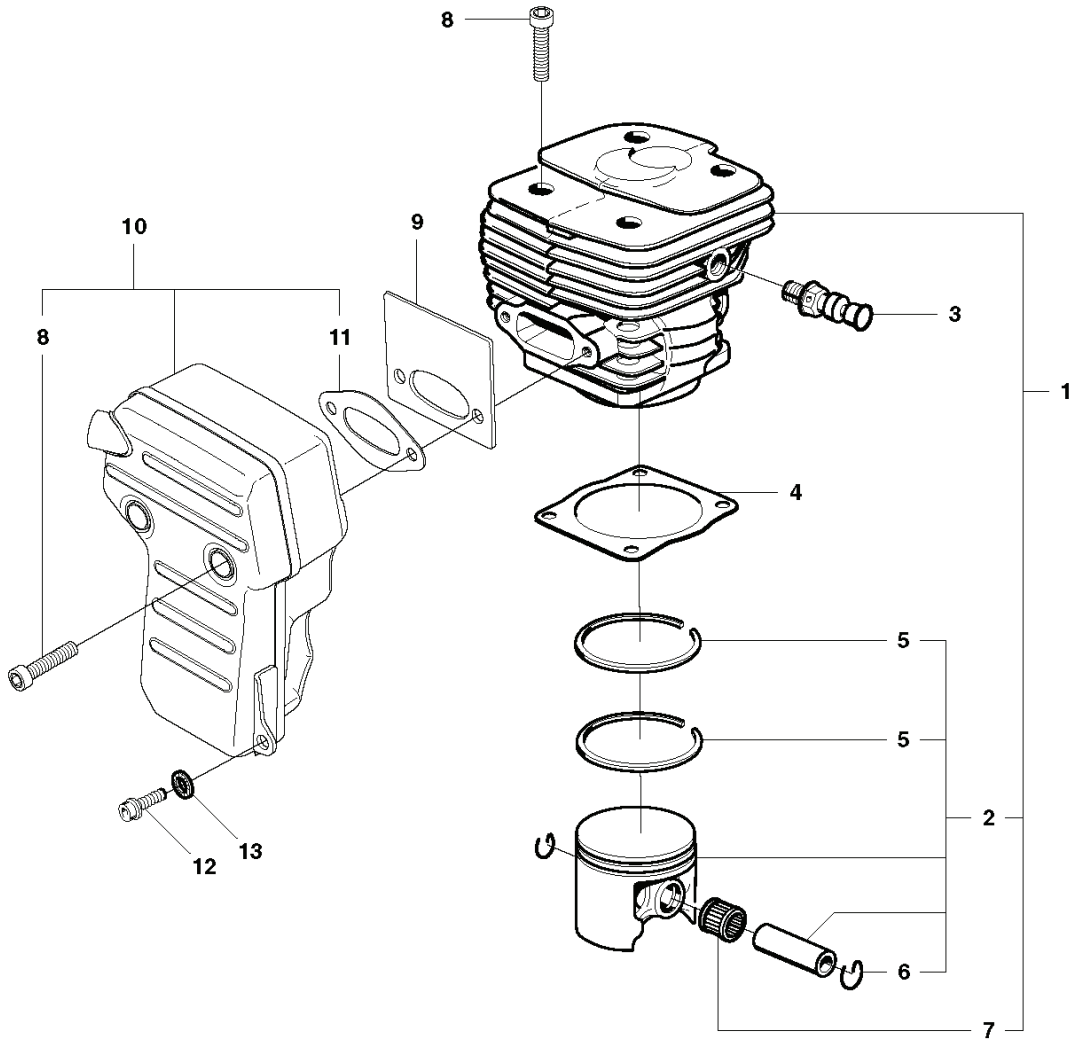
REF.	PART NO.	DESCRIPTION	REMARK	QTY.	KIT
1	503782674	CRANKSHAFT ASSY	Incl. 2, 3	1	
2	503250002	BALL BEARING		2	
3	503256101	NEEDLE BEARING		1	

K K950 ACTIVE



REF.	PART NO.	DESCRIPTION	REMARK	QTY.	KIT
1	503203442	SCREW CCRPANMO		2	
2	544874601	LABEL		1	
3	506221702	COVER		1	
4	506231901	PREFILTER		1	
5	544874401	LABEL	EPA USA	1	
5	544874402	LABEL	CE	1	
5	544874403	LABEL	EPA Canada	1	
6	506221815	FILTER BOTTOM	Incl. 7	1	
7	506283930	SEALING		2	
8	506347002	AIR FILTER		1	
9	544891403	CYLINDER COVER ASSY	Incl. 7, 10, 11, 12	1	
10	503200230	SCREW IHSCFM		3	
11	506243902	LABEL		1	
12	544890705	LABEL		1	
13	740482003	O-RING		1	
15	503200216	SCREW IHSCFM		1	
17	506229401	AIR NOZZLE		1	

E K950 ACTIVE

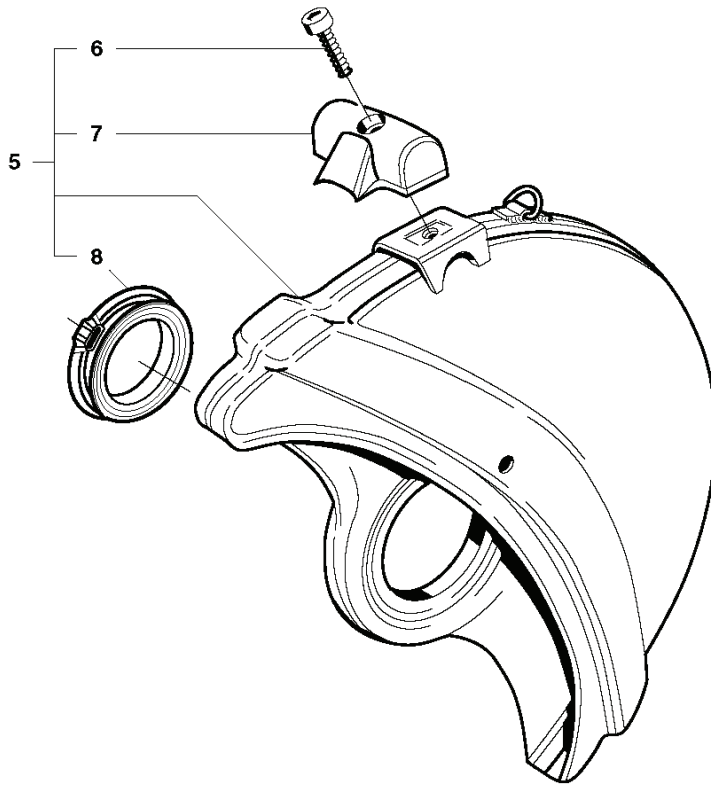
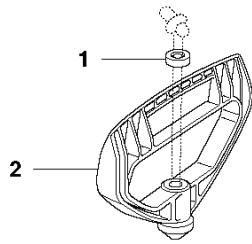


REF.	PART NO.	DESCRIPTION	REMARK	QTY.	KIT
1	506155506	CYLINDER ASSY	Incl. 2, 7	1	
2	506155602	PISTON ASSY	Incl. 5, 6	1	
3	503665601	DECOMPRESSION VALVE		1	
4	506158201	GASKET	Gasket kit 14	1	
5	503289024	PISTON RING		2	
6	737441300	CIRCLIP		2	
7	503256101	NEEDLE BEARING		1	
8	725537255	SCREW IHSCM		6	
9	506169101	HEAT DEFLECTOR		1	
10	506372802	MUFFLER ASSY	Incl. 8, 12	1	
11	506378101	GASKET	Gasket kit 14	1	
12	503200216	SCREW IHSCFM		1	
13	503230402	WASHER		1	
14	506290504	GASKET KIT		1	
15	503260205	SEALING RING		2	
16	506232401	GASKET		1	

Q K950 ACTIVE

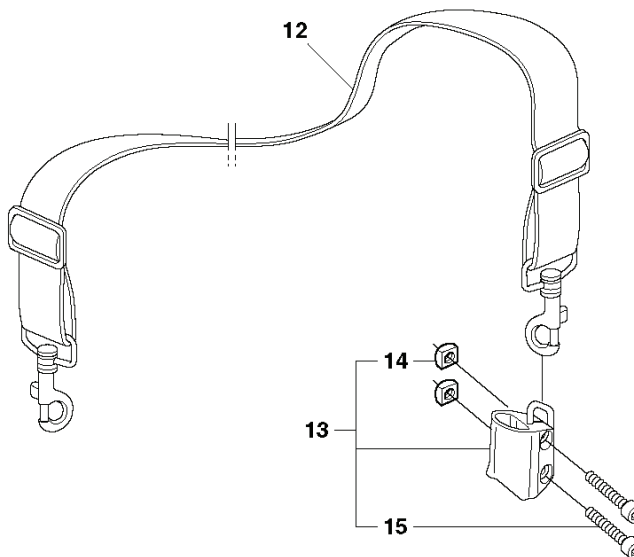
**K12 FD
FIRE-RESCUE**

Rescue



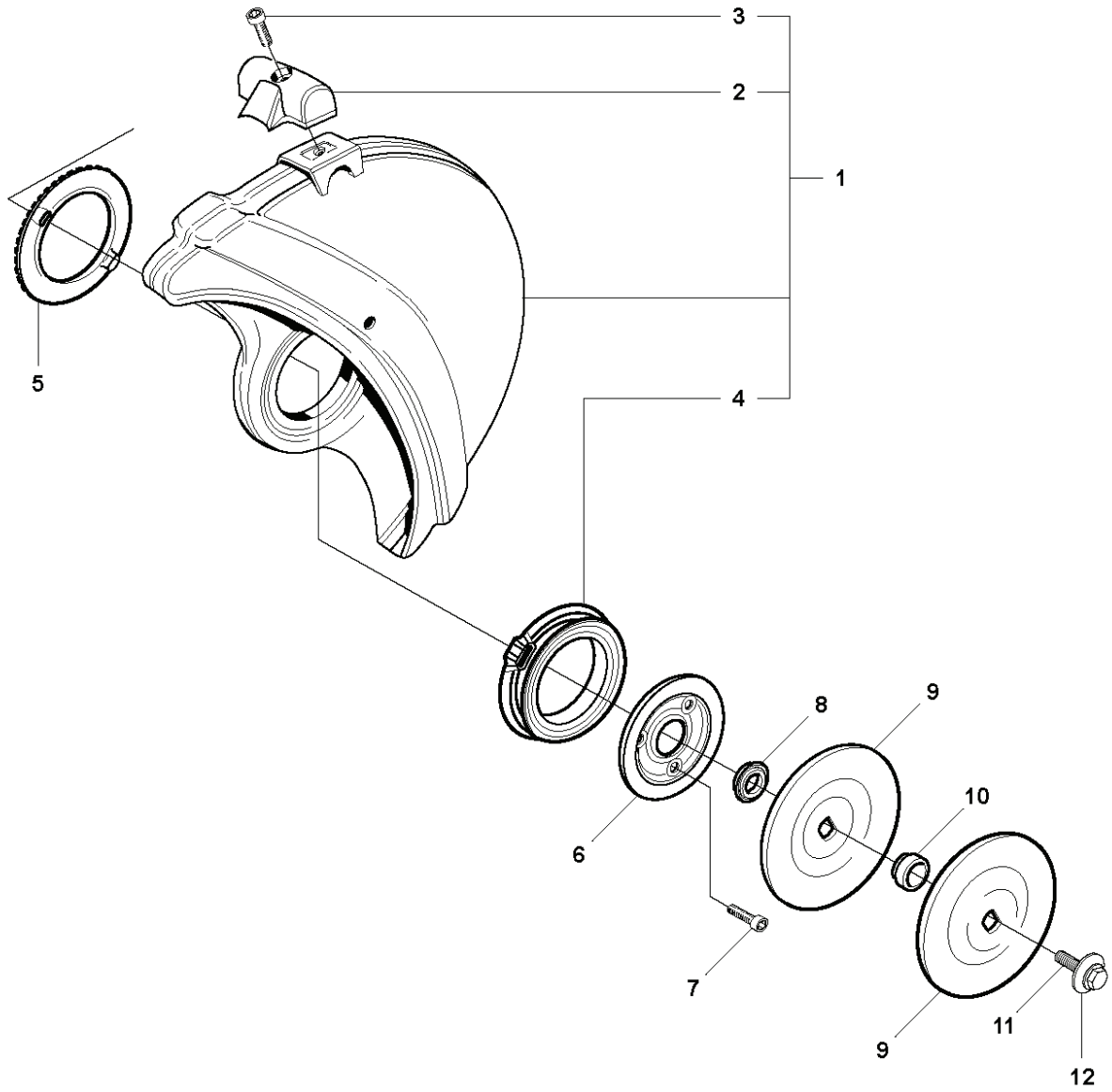
9 **Husqvarna Rescue**
max: 6400 rpm
REQ.4 0917, REQ.0 09147

10 **ATTENTION**
This product has been certified for use by
trained fire rescue personnel only.



REF.	PART NO.	DESCRIPTION	REMARK	QTY.	KIT
1	503142902	WASHER		1	
2	506297501	STARTER HANDLE		1	
3	506322002	LABEL		1	
4	506302302	LABEL		1	
5	506340524	WHEEL GUARD ASSY	"Rescue 14", Incl. 6, 7, 8"	1	
6	725533155	SCREW IHSCM		1	
7	506344602	HANDLE		1	
8	506266302	LINING		2	
9	544890601	LABEL		1	
10	506322202	LABEL		1	
11	544874401	LABEL	EPA USA	1	
11	544874402	LABEL	CE	1	
11	544874403	LABEL	EPA Canada	1	
12	506297601	SHOULDER STRAP		1	
13	506302503	BRACKET	Incl. 14, 15	1	
14	503226504	SQUARE NUT		2	
15	503200216	SCREW IHSCFM		2	

B K950 ACTIVE



- Skrivarna för av justeringen läsna något runda till spindelns tvärsnitt.
- The numbers are not to be used before the label in reversed reading: correct reading: 5100.
- Skrivarna skall vara av rätt storlek och typ för att kunna användas på spindelns tvärsnitt.
- La marklinan på denna sida rulla av servisen av sprut inspekterings proceduren eller gå till en Husqvarna butik.

13

5100 rpm

Husqvarna
Made in Sweden

14

REF.	PART NO.	DESCRIPTION	REMARK	QTY.	KIT
1	506340502	WHEEL GUARD	"12". Incl. 2, 3, 4"	1	
1	506340504	WHEEL GUARD	"14". Incl. 2, 3, 4"	1	
1	506340506	GUARD	"16". Incl. 2, 3, 4"	1	
2	506344601	HANDLE		1	
3	725533155	SCREW IHSCM		1	
4	506266302	LINING		1	
5	506266401	SCREEN		1	
6	506266501	FLANGE		1	
7	725532955	SCREW IHSCM		3	
8	506324801	SUPPORT FLANGE		1	
9	506028701	FLANGE WASHER	Diam. 105	2	
9	506070901	FLANGE WASHER	Diam. 119	2	
10	506028830	BUSHING	Diam. 30,5	1	
10	506379620	KIT	Diam. 20	1	
10	506379622	BUSHING	Diam. 22,2	1	
10	506379625	KIT	Diam. 25,4	1	
11	506139601	SCREW EHHFM		1	
12	506139511	WASHER		1	
13	505397513	LABEL		1	
14	506284102	LABEL	"12". Diam. 20 mm"	1	
14	506284104	LABEL	"12". Diam. 25,4 mm"	1	
14	506284112	LABEL	"14". Diam. 20 mm"	1	
14	506284114	LABEL	"14". Diam. 25,4 mm"	1	
14	506284122	LABEL	"16". Diam. 20 mm"	1	
14	506284124	LABEL	"16". Diam. 25,4 mm"	1	