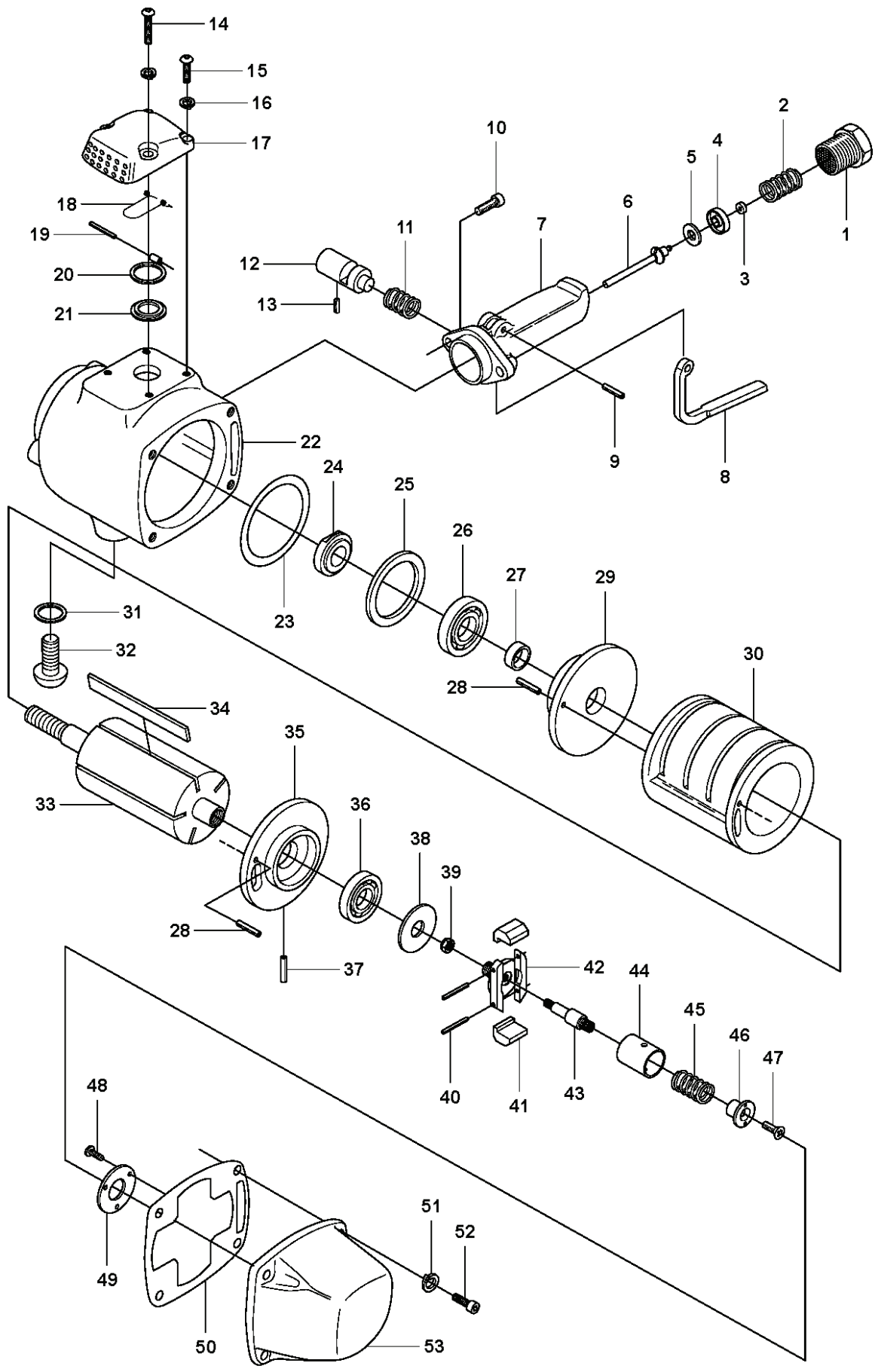


K30, 2009-05

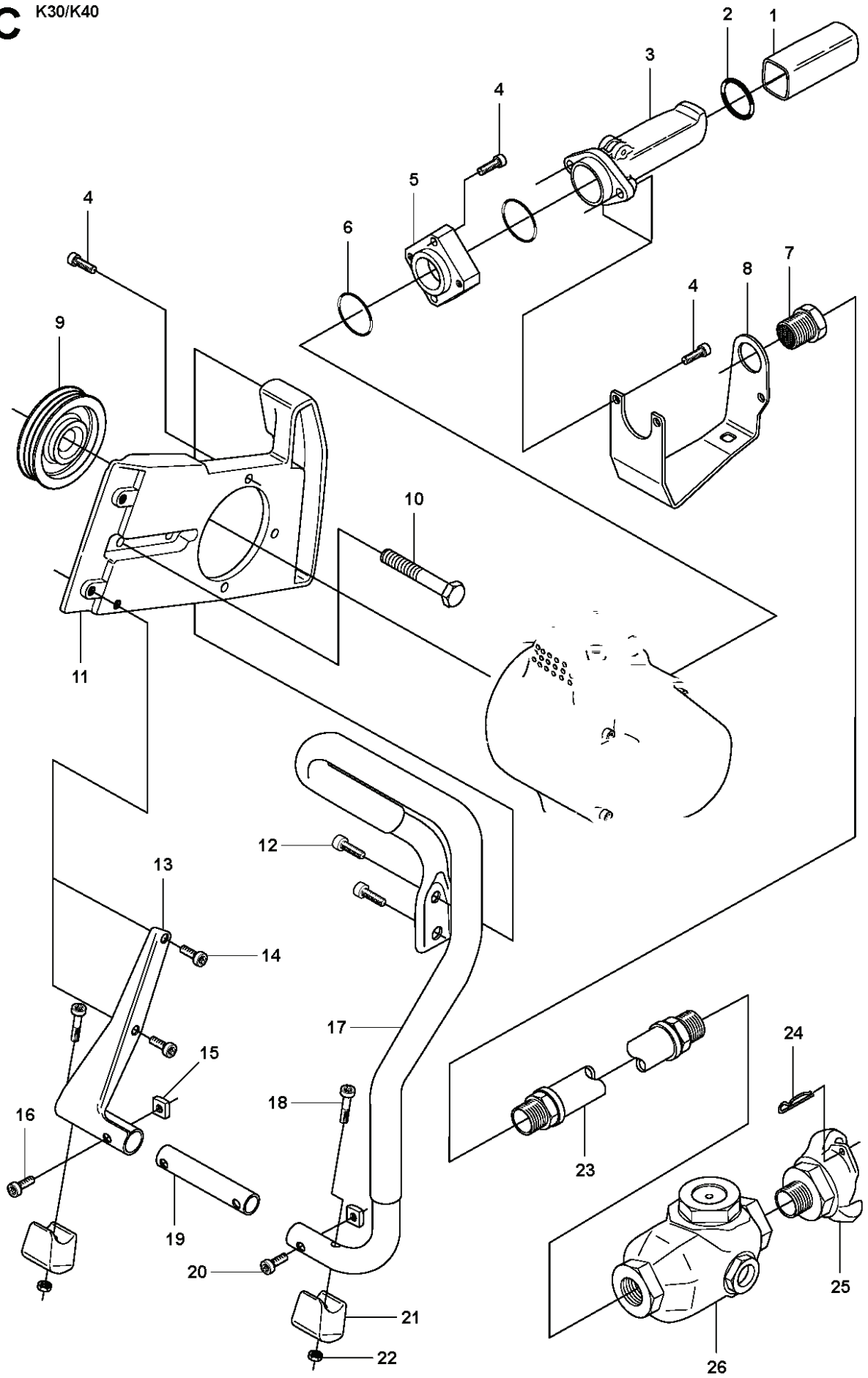
SPARE PARTS LIST

D K30/K40



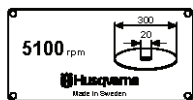
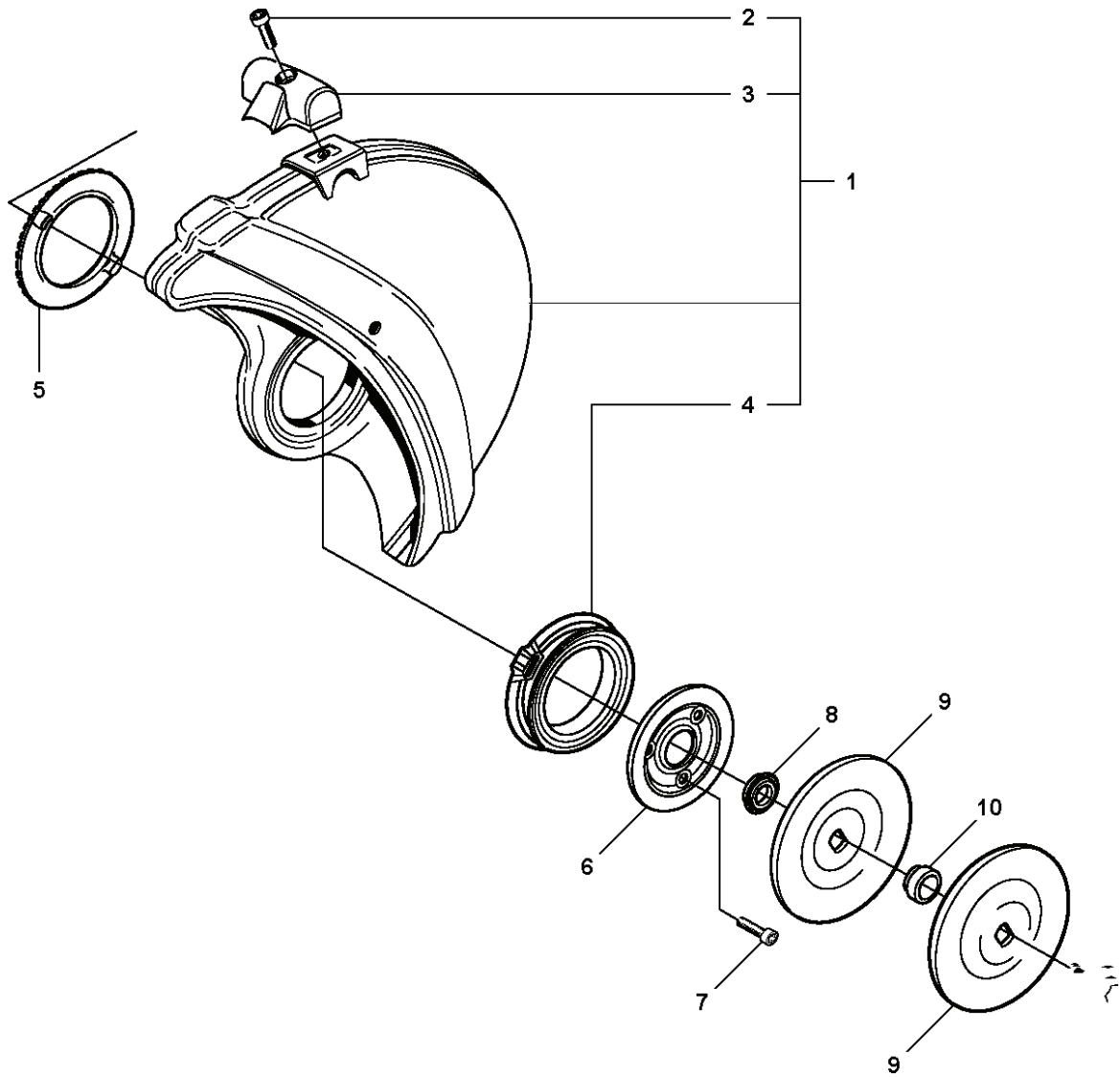
REF.	PART NO.	DESCRIPTION	REMARK	QTY.	KIT
1	506190601	FITTING		1	
2	506192901	SPRING		1	
3	506194101	THROTTLE VALVE		1	
4	506192701	WASHER		1	
5	506192601	VALVE		1	
6	506192801	SHAFT		1	
7	506190801	HANDLE		1	
8	506191801	LEVER		1	
9	506195801	PIN RETAINING SCREW		1	
11	506194001	SPRING		1	
12	506193901	KNOB		1	
13	506196501	SCREW		1	
14	725529905	SCREW IHSCM		2	
15	725529555	SCREW IHSCM		2	
16	735213601	LOCKWASHER		4	
17	506195101	COVER	K40	1	
18	506195301	SPRING		1	
19	506196001	PIN RETAINING SCREW		1	
20	506195401	HOLDER		1	
21	506195201	VALVE		1	
22	506194201	HOUSING	K40	1	
23	506194901	ADJUSTING WASHER		1	
24	506194701	ROTOR NUT		1	
25	506195701	BEARING		1	
26	506191501	BALL BEARING		1	
27	506194801	ADJUSTING SLEEVE		1	
28	506196101	PIN RETAINING SCREW		2	
29	506194601	BEARING HOUSING		1	
30	506194411	CYLINDER	K30	1	
30	506194401	AIR CLEANER	K40	1	
31	506195501	SPRING		1	
32	506196301	SCREW		1	
33	506194311	ROTOR	K30	1	
33	506194301	ROTOR	K40	1	
34	506191611	ROTOR	K30	5	
34	506191602	ROTOR BLADE, SET	K40	5	
35	506194501	BEARING HOUSING		1	
36	503250002	BALL BEARING		1	
37	506196201	PIN RETAINING SCREW		1	
38	506195001	WASHER		1	
39	731231405	HEXAGON NUT		1	
40	506195901	PIN RETAINING SCREW		2	
41	506193511	WEIGHT	K30	2	
41	506193501	REGULATOR WEIGHT	K40	2	
42	506193401	HOLDER		1	
43	506193701	SHAFT		1	
44	506193101	SLEEVE		1	
45	506193211	SPRING	K30	1	
45	506193201	SPRING	K40	1	
46	506193801	VALVE		1	
47	724329101	SCREW		1	
48	723128951	SCREW SLCHM		3	
49	506195601	WASHER		1	
50	506191301	GASKET		1	
51	735115350	SPRING WASHER		4	
52	725537055	SCREW IHSCM		4	
53	506191201	COVER		1	

C K30/K40



REF.	PART NO.	DESCRIPTION	REMARK	QTY.	KIT
1	506191701	GRIP		1	
2	503263016	O-RING		1	
3	506190801	HANDLE		1	
4	544218420	SCREW ITXSCM		8	
5	506204101	MANIFOLD		1	
6	740482702	O-RING		2	
7	506190601	FITTING		1	
8	506234802	COVER		1	
9	525606401	DRIVING PULLEY		1	
10	506033202	SCREW		2	
11	506192002	ENGINE PLATE		1	
12	503215316	SCREW ITXSCM		2	
13	506144202	GROUND SUPPORT		1	
14	503215312	SCREW ITXSCM		2	
15	503226504	SQUARE NUT		2	
16	503215330	SCREW ITXSCM		1	
17	506072607	FRONT HANDLE		1	
18	503215341	SCREW ITXSCM	K40	2	
19	506192302	SPACER		1	
20	503215326	SCREW ITXSCM		1	
21	506144302	GROUND SUPPORT	K40	2	
22	732211401	LOCK NUT	K40	2	
23	506191001	HOSE		1	
24	721680151	SPRING COTTER		1	
25	506197201	KLOKOPPLING 1/2"		1	
26	506191101	OILER		1	

B K30/K40



11



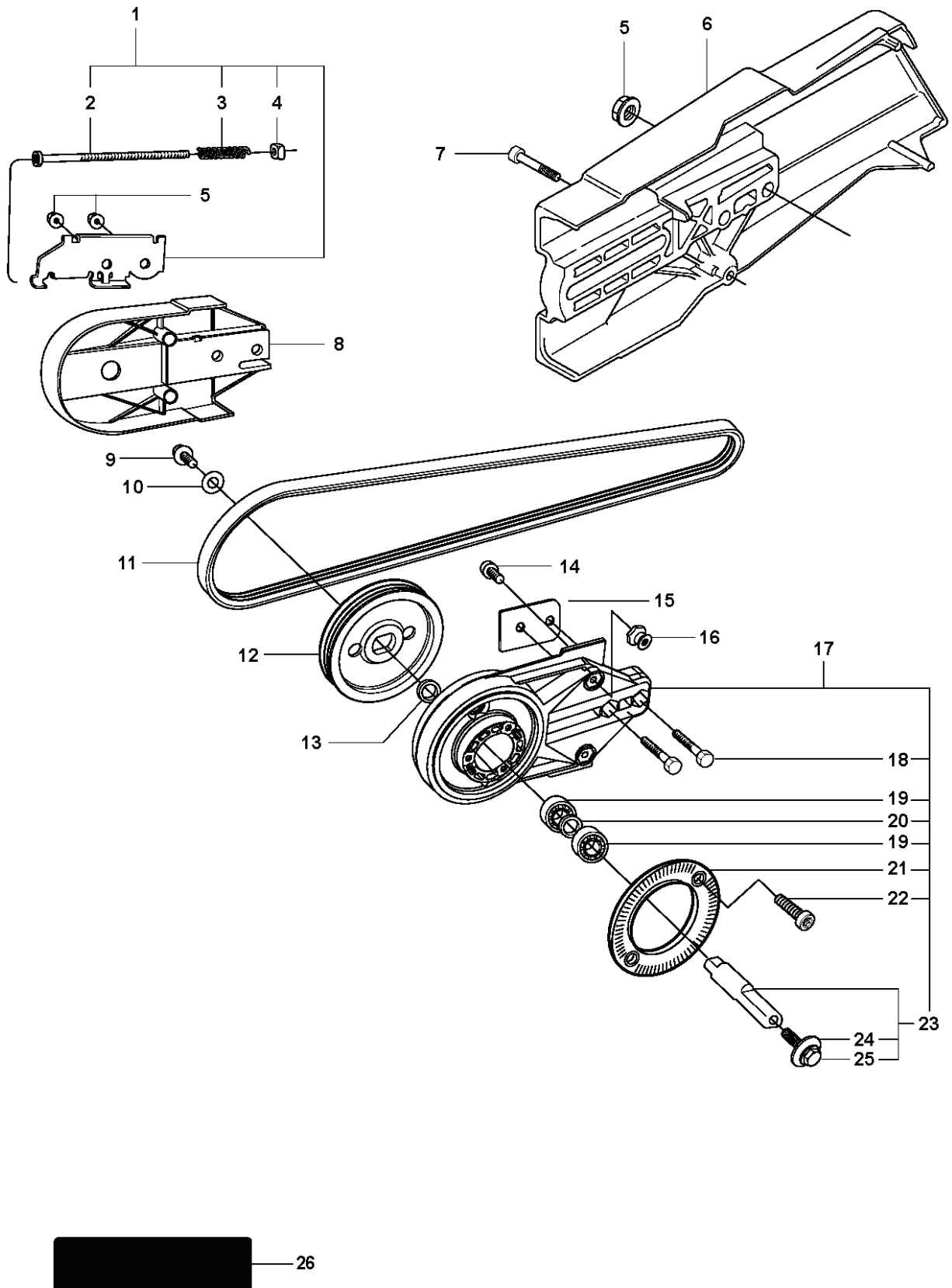
12



13

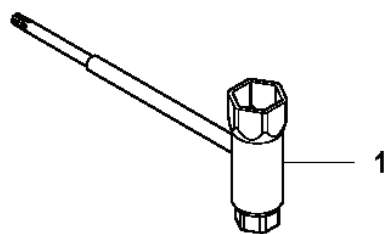
REF.	PART NO.	DESCRIPTION	REMARK	QTY.	KIT
1	506340542	BLADE GUARD	"12", Incl. 2 - 4"	1	
1	506340544	BLADE GUARD	"14", Incl. 2 - 4"	1	
2	503215320	SCREW ITXSCM		1	
3	506344602	HANDLE		1	
4	506266302	LINING		1	
5	506266401	SCREEN		1	
6	506266501	FLANGE		1	
7	505574116	SCREW ITXSCM		3	
8	506324801	SUPPORT FLANGE		1	
9	506028701	FLANGE WASHER	Diam 105 mm	2	
10	506379620	KIT	Diam 20 mm	1	
10	506379622	BUSHING	Diam 22,2 mm	1	
10	506379625	KIT	Diam 25,4 mm	1	
10	506028830	BUSHING	Diam 30,5 mm	1	
11	506284104	LABEL	"12", Diam 1"	1	
11	506284102	LABEL	"12", Diam 20 mm"	1	
11	506284114	LABEL	"14", Diam 1"	1	
11	506284112	LABEL	"14", Diam 20 mm"	1	
12	506243435	DECAL	Japan only	1	
13	506243525	LABEL	Japan only	1	

A K30/K40




REF.	PART NO.	DESCRIPTION	REMARK	QTY.	KIT
1	506030603	BELT TENSIONER ASSY	Incl. 2 - 4	1	
2	503207220	SCREW CITXSCM		1	
3	506219501	COMPRESSION SPRING		1	
4	503226601	SQUARE NUT		1	
5	503220001	HEXAGON NUT		4	
6	506029002	CUTTER ARM		1	
7	503215320	SCREW ITXSCM		1	
8	506098702	BELT GUARD		1	
9	503200045	SCREW EHHFM		1	
10	503230116	WASHER		1	
11	544976303	BELT		1	
12	544980901	PULLEY		1	
13	503230104	WASHER		1	
14	505574116	SCREW ITXSCM		1	
15	525606501	SPACER		1	
16	506143201	NUT CAP		1	
17	506413404	BEARING HOUSING ASSY	Incl. 18 - 23	1	
18	506033202	SCREW		2	
19	583953301	BALL BEARING		2	
20	506201801	SPACING SLEEVE		1	
21	506288401	SCREEN		1	
22	503215310	SCREW ITXSCM		2	
23	506298371	SHAFT	Incl. 24 - 25	1	
24	506139511	WASHER		1	
25	581855201	SCREW		1	
26	506309705	LABEL	Japan only	1	

F K30/K40

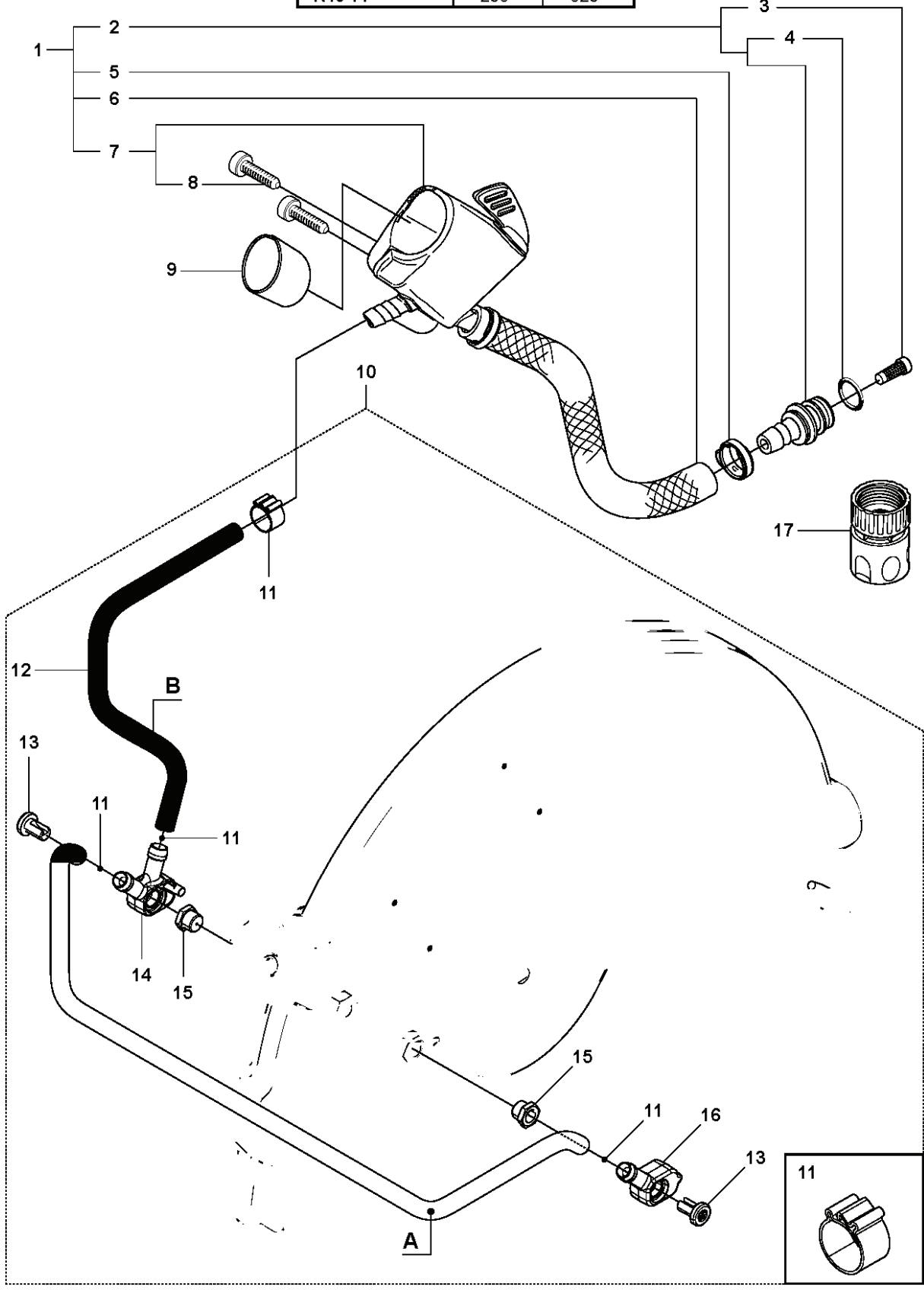


REF.	PART NO.	DESCRIPTION	REMARK	QTY.	KIT
1	506382601	TOOL		1	

E K30/K40



	A (mm)	B (mm)
K30 12"	165	320
K40 14"	205	320



REF.	PART NO.	DESCRIPTION	REMARK	QTY.	KIT
1	505095501	HOSE KIT	Incl. 2, 5 - 7	1	
2	506295702	NIPPLE	Incl. 3, 4	1	
3	506298801	FILTER		1	
4	505103501	O-RING		1	
5	506498702	HOSE CLAMP		2	
6	506607501	HOSE		1	
7	506386012	VALVE ASSY	Incl. 8	1	
8	503215420	SCREW ITX SCT		2	
9	544926801	INTERLAYER		1	
10	505095401	HOSE KIT	Incl. 11 - 16	1	
11	506498701	HOSE CLAMP		4	
12	506606806	HOSE	320 mm	1	
13	504634601	SCREW ITXSCM		2	
14	504634401	HOUSING		1	
15	504634201	NIPPLE		2	
16	504634501	HOUSING		1	
17	503266003	COUPLER	USA	1	
17	503266004	COUPLER		1	